

The
Haldex
Anti-Lock Braking
Systems (ABS) Catalog

Quality parts for vehicles at any life stage.

ABS Kits • ABS ECUs • ABS Valves

ABS Power Adapters, Cables, Cords, Sensors

Stability Module • ABS Panels

ABS Diagnostics and Displays

ABS Components and Accessories

Remanufactured ABS Valves

Haldex

MIDLAND

Like-Nu

Important Notice

The products described within this literature, including without limitation, product features, specifications, designs, availability and pricing are subject to change by Haldex and its subsidiaries at any time without notice.

This document and other information from Haldex, its subsidiaries and authorized distributors provide product and/or system options for further investigation by users having technical expertise. It is important that you analyze all aspects of your application and review the information concerning the product or system, in the current literature or catalog. Due to the variety of operating conditions and applications for these products or systems, the user, through their own analysis and testing, is solely responsible for making the final selection of the products and systems and assuring that all performance, safety and warning requirements are met.

| | |
|---|------|
| Table of Contents | TOC1 |
| Part Number Index | PN1 |
| Foreward | FWD1 |
| Trailer ABS Component Overview | FWD2 |
| Anti-Lock Braking Systems - Trailer | |
| ABS Kits | |
| 2S/1M ABS Relay Valve Kits (Dollies and Single Axle Applications) | 1 |
| 2S/1M FFABS Valve Kits (Multi-Axle Applications) | 2 |
| 2S/1M ABS Relay Valve Kits (Multi-Axle Applications) | 3 |
| 4S/2M FFABS Kits (Primarily Competitive Changeout) | 4 |
| 4S/2M ABS Relay or FFABS Valve Kits (New Trailer Builds) | 5 |
| ITCM FFABS Valve Kits (New or Replacement Installation)..... | 6 |
| ITCM Relay Valve Kits (New or Replacement Installation)..... | 7 |
| ABS ECUs | |
| Upgrade Kits | 8 |
| PLC Select 1M and 2M..... | 9 |
| ITCM | 10 |
| ABS Valve | |
| Solenoid Kit | 11 |
| Adapter Cables (DIN and Pre-DIN Systems) | 11 |
| FFABS 2- and 4-Port Delivery | 12 |
| ABS Relay 2- and 4-Port Delivery..... | 13 |
| Power Adapters, Cables, Cords and Sensors | |
| Full Power Cables | 14 |
| Power Cord Extensions | 14 |
| Y Cable Adapters..... | 15 |
| ABS Looms (2S/1M PLC and 4S/2M PLC) | 15 |

Anti-Lock Braking Systems - Trailer (cont'd)

Power Adapters, Cables, Cords and Sensors (cont'd)

Sensor (90° and Straight Body)..... 16

Sensor Extensions (Universal) 17

ABS Valve Cable Extensions (DIN Systems) 18

Remote ABS Valve Cable (PLC Select 2M and PLC Select+ DIN Systems)..... 19

Auxiliary Interface Cables (PLC Select+)..... 19

CAN Cables (ITCM ABS)..... 20

Trailer Roll Stability (TRS) Replacement Parts 21

Stability Module (Valve)..... 21

Brake Monitoring System (BMS-3) 22

ABS Panels (Trailer and Dolly)..... 23

Labels (Weld Warning) 24

Diagnostics and Displays

ABS PLC Infocenter..... 24

ABS PLC Diagnostic Kits 24

Installation Components and Accessories

ABS Trailer Lights and Components..... 25

ECU/Valve Brackets and Loom Clasps..... 25

Sensor Accessories, Blocks and Exciter Rings 26

Miscellaneous ABS Components 27

Anti-Lock Braking Systems - Truck/Tractor/Bus

ABS Converter Cables (Meritor/WABCO Style) 28

All Makes Sensor Accesories (Haldex, Meritor/WABCO, Bosch) 28

Remanufactured Meritor/WABCO Style ABS Valves

Rear Axle Valve Packs..... 29

Relay Valve for Valve Packs..... 31

Front Axle Valve Packs 32

Remanufactured Meritor/WABCO Style ABS Valves (cont'd)

| | |
|--|----|
| Quick Release Valve for Valve Packs | 33 |
| Automatic Traction Control (ATC) Valve | 33 |
| Modulator Valves | 34 |
| ABS Valve and ECU Assemblies..... | 35 |

Anti-Lock Braking Systems - Trailer OEM Assemblies

| | |
|---|----|
| Service Valves and ECUs for OEM Assemblies..... | 36 |
|---|----|

| Part No. | Page No. | Part No. | Page No. | Part No. | Page No. | Part No. | Page No. |
|-----------|----------|-----------|----------|--------------|----------|-------------|----------|
| 015505209 | 25 | 201199SA | 19 | 364619001 | 21 | 4725001230X | 30 |
| 015506209 | 25 | 201199SB | 19 | 4005001010KX | 35 | 4725001240X | 30 |
| 059512309 | 28 | 201200BA | 9 | 4005001010X | 35 | 4725001250X | 30 |
| 100469E | 26 | 201200BB | 9 | 4005001020X | 35 | 4725002030X | 30 |
| 100469E | 28 | 201200BC | 9 | 4005001030X | 35 | 4725002220X | 30 |
| 100469F | 26 | 201200BD | 9 | 4005001040X | 35 | 4725002230X | 30 |
| 100469F | 28 | 201200CA | 10 | 4008506020X | 35 | 4725002240X | 30 |
| 100469H | 26 | 201200CB | 10 | 409000A | 15 | 4725002250X | 30 |
| 100469H | 28 | 201200CC | 10 | 409000AA | 15 | 4725003000X | 32 |
| 100696AG | 27 | 201200CD | 10 | 409000CA | 15 | 4725003010X | 32 |
| 101731F | 25 | 201200DA | 10 | 4721707910X | 30 | 4725003020X | 32 |
| 101931ZZ | 24 | 202010J | 26 | 4721707970X | 30 | 4725003200X | 32 |
| 102008HM | 25 | 202028AB | 9 | 4721707970X | 33 | 4725003210X | 32 |
| 102008HP | 25 | 203001 | 24 | 4721850800X | 32 | 4725003220X | 32 |
| 102008WN | 26 | 203001B | 24 | 4721950050X | 34 | 600384G | 21 |
| 102700C | 26 | 300245AB | 25 | 4721950330X | 35 | 814001312 | 19 |
| 102700C | 28 | 364094001 | 16 | 4721950520X | 34 | 814004401 | 21 |
| 200187AL | 26 | 364094041 | 16 | 4721950760X | 29 | 814004411 | 21 |
| 200817AL | 26 | 364094051 | 16 | 4721950760X | 32 | 814004421 | 21 |
| 201120HC | 22 | 364094061 | 16 | 4721950760X | 34 | 814010101 | 21 |
| 201120HD | 22 | 364094071 | 16 | 4721950770X | 29 | 814011001 | 20 |
| 201186RA | 14 | 364094081 | 16 | 4721950770X | 32 | 814019001 | 21 |
| 201186RB | 14 | 364094091 | 16 | 4721950770X | 34 | 814030011 | 20 |
| 201186RC | 14 | 364094101 | 16 | 4721950780X | 30 | 814037001 | 20 |
| 201186RD | 14 | 364094111 | 16 | 4721950780X | 34 | 814037011 | 20 |
| 201186RG | 14 | 364094121 | 16 | 4721950790X | 30 | 814037021 | 20 |
| 201186SA | 22 | 364140111 | 13 | 4721950790X | 34 | 814037031 | 20 |
| 201198BA | 17 | 364140112 | 13 | 4721950800X | 29 | 814037041 | 20 |
| 201198BB | 17 | 364141111 | 13 | 4721950800X | 34 | 814037051 | 20 |
| 201198BC | 17 | 364141112 | 13 | 4721950810X | 32 | 814038001 | 20 |
| 201198BD | 17 | 364318001 | 13 | 4721950810X | 34 | 814038101 | 20 |
| 201198BE | 17 | 364528001 | 16 | 4721950820X | 29 | 815012011 | 21 |
| 201198BF | 17 | 364528051 | 16 | 4721950820X | 30 | | |
| 201198BG | 17 | 364533001 | 19 | 4721950820X | 34 | 833002001 | 21 |
| 201198BH | 17 | 364533011 | 19 | 4721950830X | 29 | 834005001 | 21 |
| 201198BJ | 17 | 364533021 | 19 | 4721950830X | 30 | 835005001 | 21 |
| 201198BK | 17 | 364533031 | 19 | 4721950830X | 34 | 8946011322K | 28 |
| 201198BL | 17 | 364542001 | 11 | 47219508810X | 29 | 8946011322K | 29 |
| 201198BM | 17 | 364543001 | 18 | 4725001000X | 29 | 8946011322K | 32 |
| 201199PA | 14 | 364543011 | 18 | 4725001010X | 29 | 8946011322K | 33 |
| 201199PB | 14 | 364543021 | 18 | 4725001020X | 29 | 8946011322K | 34 |
| 201199PD | 14 | 364543031 | 18 | 4725001200X | 29 | 8946011332K | 28 |
| 201199PF | 14 | 364543041 | 18 | 4725001210X | 29 | 8946011332K | 29 |
| 201199PG | 14 | 364544001 | 11 | 4725001220X | 30 | 8946011332K | 32 |

Part Number Index

ABS

| Part No. | Page No. | Part No. | Page No. | Part No. | Page No. | Part No. | Page No. |
|-------------|----------|------------|----------|----------|----------|----------|----------|
| 8946011332K | 33 | A920814 | 25 | AL918603 | 14 | AL920810 | 28 |
| 8946011332K | 34 | A993107 | 24 | AL918604 | 14 | AL929817 | 19 |
| 8946062752K | 35 | A993108 | 21 | AL918605 | 14 | AL929818 | 19 |
| 9730110210X | 29 | AL10271914 | 16 | AL918606 | 14 | AL929819 | 19 |
| 9730110210X | 30 | AL10271915 | 16 | AL919336 | 9 | AL929820 | 19 |
| 9730110210X | 31 | AL1027196 | 16 | AL919338 | 9 | AL929821 | 19 |
| 9730110220X | 29 | AL1027197 | 16 | AL919339 | 9 | AL929821 | 20 |
| 9730110220X | 30 | AL1027198 | 16 | AL919340 | 9 | AL929822 | 19 |
| 9730110220X | 31 | AL2030012 | 24 | AL919341 | 9 | AL929823 | 19 |
| 9730110230X | 30 | AL230010 | 24 | AL919342 | 9 | AL929824 | 22 |
| 9730110230X | 31 | AL230011 | 24 | AL919346 | 11 | AL929825 | 22 |
| 9730110240X | 30 | AL23011 | 24 | AL919347 | 11 | AL929826 | 22 |
| 9730110240X | 31 | AL301221 | 15 | AL919348 | 10 | AL929828 | 20 |
| 9730110250X | 30 | AL301222 | 15 | AL919349 | 10 | AL929829 | 20 |
| 9730110250X | 31 | AL364040 | 13 | AL919350 | 10 | AL929830 | 20 |
| 9730110260X | 30 | AL364041 | 13 | AL919351 | 10 | AL929831 | 20 |
| 9730110260X | 31 | AL364045 | 13 | AL919352 | 10 | AL929832 | 20 |
| 9730110270X | 30 | AL364046 | 13 | AL919353 | 10 | AL929833 | 20 |
| 9730110270X | 31 | AL364053 | 16 | AL919354 | 10 | AL929834 | 20 |
| 9730110280X | 30 | AL364061 | 16 | AL919800 | 17 | AL929835 | 20 |
| 9730110280X | 31 | AL364062 | 16 | AL919801 | 17 | AL929836 | 20 |
| 9735001040X | 32 | AL364063 | 16 | AL919802 | 17 | AL956112 | 21 |
| 9735001040X | 33 | AL364068 | 16 | AL919803 | 17 | AL956113 | 21 |
| 9735001050X | 32 | AL364069 | 16 | AL919804 | 17 | AL956114 | 21 |
| 9735001050X | 33 | AL364070 | 16 | AL919805 | 17 | AL956115 | 21 |
| 9735001060X | 32 | AL364071 | 16 | AL919806 | 17 | AL956116 | 21 |
| 9735001060X | 33 | AL364080 | 13 | AL919807 | 17 | AL956117 | 21 |
| A027533909 | 26 | AL364431 | 21 | AL919808 | 17 | AQ15457 | 27 |
| A027534009 | 26 | AL40900 | 15 | AL919809 | 17 | AQ15458 | 27 |
| A1017316 | 25 | AL40901 | 15 | AL919810 | 17 | AQ15463 | 25 |
| A2020109 | 26 | AL40903 | 15 | AL919811 | 17 | AQ15473 | 27 |
| A59512309 | 28 | AL40906 | 15 | AL919819 | 18 | AQ15474 | 27 |
| A902700 | 26 | AL430614 | 12 | AL919820 | 18 | AQ15500 | 27 |
| A902700 | 28 | AL430620 | 12 | AL919821 | 18 | AQ15853 | 21 |
| A902701 | 26 | AL430624 | 12 | AL919822 | 18 | AQ15854 | 24 |
| A902701 | 28 | AL430644 | 12 | AL919823 | 18 | AQ15855 | 24 |
| A902702 | 26 | AL430664 | 12 | AL919900 | 14 | AQ15900 | 24 |
| A902702 | 28 | AL430666 | 12 | AL919901 | 14 | AQ25000 | 22 |
| A902802 | 26 | AL430668 | 12 | AL919902 | 14 | AQ40213 | 16 |
| A906960 | 27 | AL430670 | 12 | AL919903 | 14 | AQ40525 | 11 |
| A920805 | 25 | AL430672 | 12 | AL919904 | 14 | AQ960208 | 2 |
| A920808 | 25 | AL56000 | 21 | AL920809 | 26 | AQ960502 | 8 |
| A920811 | 25 | AL833000 | 21 | AL920809 | 28 | AQ960503 | 3 |
| A920813 | 25 | AL918602 | 14 | AL920810 | 26 | AQ960505 | 1 |

| Part No. | Page No. | Part No. | Page No. | Part No. | Page No. | Part No. | Page No. |
|----------|----------|----------|----------|----------|----------|----------|----------|
| AQ960510 | 3 | N4299BE | 23 | SN2614D | 2 | | |
| AQ960514 | 3 | N4299BM | 23 | SN2614E | 2 | | |
| AQ960515 | 3 | N4299BN | 23 | SN2614F | 2 | | |
| AQ960802 | 2 | N4299BS | 23 | SN2632AA | 8 | | |
| AQ961110 | 27 | N4306HA | 12 | SN2632AB | 5 | | |
| AQ961402 | 2 | N4306JB | 7 | SN2632E | 5 | | |
| AQ961404 | 2 | N4306JD | 12 | SN2632F | 5 | | |
| AQ961405 | 2 | N4306KB | 7 | SN2632M | 4 | | |
| AQ961406 | 2 | N4306KD | 12 | SN2633BA | 21 | | |
| AQ963002 | 4 | N4306LB | 7 | SN2633BB | 21 | | |
| AQ963004 | 5 | N4306LD | 12 | SN2634 | 27 | | |
| AQ963005 | 5 | N4306MB | 7 | SN2641TC | 8 | | |
| AQ963011 | 4 | N4306MD | 12 | SN2641TE | 8 | | |
| AQ963013 | 5 | N9004 C | 7 | SN2900KA | 10 | | |
| AQ963014 | 5 | N9004AA | 6 | SN2900KB | 10 | | |
| AQ964110 | 8 | N9004AA | 7 | SN3632C | 4 | | |
| AQ964111 | 8 | N9004AB | 6 | SN4021TB | 16 | | |
| AQ964112 | 8 | N9004BA | 6 | SN5000A | 24 | | |
| AQ965001 | 7 | N9004BA | 7 | SN602H | 2 | | |
| AQ965002 | 7 | N9004BB | 6 | SN608B | 2 | | |
| AQ965003 | 7 | N9004BB | 7 | | | | |
| AQ965004 | 7 | N9004C | 6 | | | | |
| AQ965005 | 7 | N9004CA | 6 | | | | |
| AQ965006 | 7 | N9004CA | 7 | | | | |
| AQ965100 | 6 | N9004CB | 7 | | | | |
| AQ965101 | 6 | RN10JV | 11 | | | | |
| AQ965102 | 6 | SN154EG | 27 | | | | |
| AQ965103 | 6 | SN154EH | 27 | | | | |
| AQ965104 | 6 | SN154FC | 25 | | | | |
| AQ965105 | 6 | SN154GC | 27 | | | | |
| AQ968400 | 21 | SN154GD | 27 | | | | |
| AQ968401 | 21 | SN154GH | 23 | | | | |
| AQ994305 | 23 | SN154GJ | 27 | | | | |
| AQ994306 | 23 | SN158DM | 24 | | | | |
| AQ994307 | 23 | SN158DN | 21 | | | | |
| AQ994308 | 23 | SN2500PA | 22 | | | | |
| AQ994310 | 23 | SN258DM | 21 | | | | |
| AQ994311 | 23 | SN2605B | 8 | | | | |
| AQ994312 | 23 | SN2611D | 3 | | | | |
| AQ994313 | 23 | SN2611H | 3 | | | | |
| AQ994316 | 23 | SN2611K | 27 | | | | |
| AQ994317 | 23 | SN2611P | 3 | | | | |
| N4299AJ | 23 | SN2611R | 3 | | | | |
| N4299AL | 23 | SN2614B | 2 | | | | |

PURPOSE OF THIS CATALOG

This catalog is designed as a reference for Haldex NEW and REMAN air brake system components and accessories, sold under the Haldex, Midland and Like-Nu product brands. Products described include all pertinent information needed to replace an OEM installed component or to help design an original installation. If there is a service number for a given part, it is noted in the product number table.

DESIGN FLEXIBILITY

The products presented in this catalog are described by function and usage. Technical data and mounting configurations are also provided. Throughout this catalog, reference is made to numerous specific OEM applications. This catalog is not, however, intended to be a mutually exclusive listing of all part numbers and designs available. Should the need for a design not presented occur, contact your Haldex sales representative for additional information.

WARRANTY INFORMATION

Proper service and repair are important to the safe, reliable operation of any motor vehicle. To prevent personal injury and/or vehicle damage, careful and cautious service procedures recommended by the vehicle manufacturer should be followed by anyone servicing a motor vehicle. For details on warranty of Haldex air brake system components and accessories, refer to L20221 Aftermarket Warranty Policy. For warranty returns, use the Warranty Adjustment Form. This information may be obtained by visiting the Haldex.com website. Select North America/English in drop down box and then choose Product Information tab. In the drop down menu there you will see Warranty Information and Forms.

ORDERING PROCEDURE

Most customers can place electronic orders on the haldex.com website by obtaining a username and password or by using EDI. For additional information about electronic orders or to place an order by phone or fax, contact Customer Service in U.S. or Canada at numbers listed below:

U.S. Customer Service:

Phone: 800-643-2374
 Fax: 800-533-1941
 Mail: Haldex Brake Products Corporation
 Attn: Customer Service Department
 10930 N. Pomona Ave.
 Kansas City, MO 64153

Canada Customer Service:

Phone: 800-267-9247
 Fax: 519-621-3924
 Mail: Haldex Limited
 Canadian Distribution Centre
 Attn: Customer Service Department
 500 Pinebush Road, Unit 1
 Cambridge, Ontario N1T 0A5

IMPORTANT NOTICE

The data listed herein is correct to the best of Haldex's knowledge and belief, having been compiled from reliable and official sources of information. However, HALDEX CANNOT ASSUME ANY RESPONSIBILITY for possible error or misapplication of the product. Final determination of the suitability of the products for the use contemplated by the Buyer is the sole responsibility of the Buyer. Haldex shall have no responsibility in connection with this suitability. It is not our intention to imply that any of the components in this catalog in connection with an engine make or model are made by any engine manufacturer.

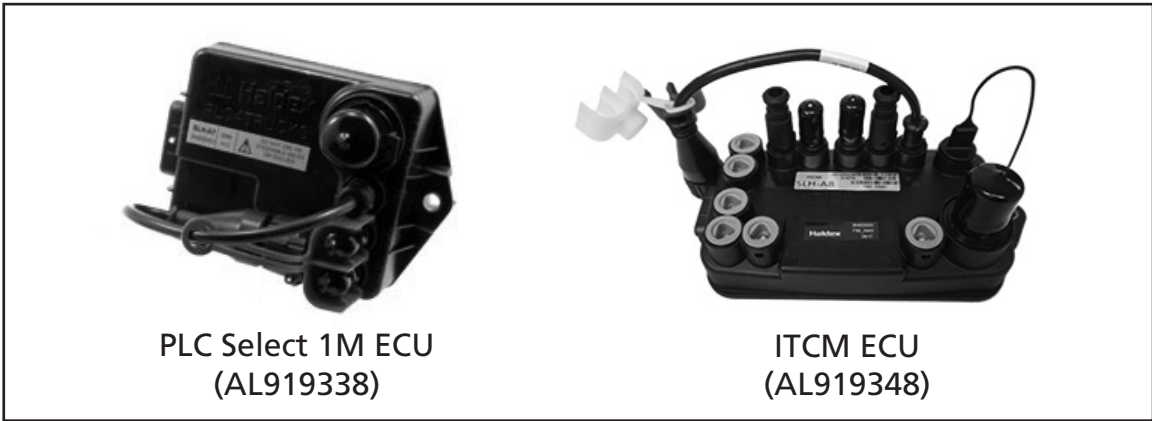
Copyright 2020
 Haldex Brake Products Corporation
 10930 N. Pomona Ave.
 Kansas City, MO 64153

All rights reserved.
 Materials may only be reproduced with written permission of Haldex.

Haldex Trailer ABS Systems utilize many common valve and sensor components in all our ABS product offerings. Loom Assemblies and Electronic Control Units (ECU) will vary by ABS family. The illustrations below are representative of five families of product offerings. System identification and components reference can easily be found using these illustrations. Application notes are included in the catalog pages to aid in accurate service requirements. See ABS Service/Installation Manual L30041 for specific component usage.

Haldex ECU and Looms have mating connectors (numbers of pins and keys). Please exercise caution when replacing these items and follow the catalog references carefully. Contact your Haldex Representative if additional information is required.

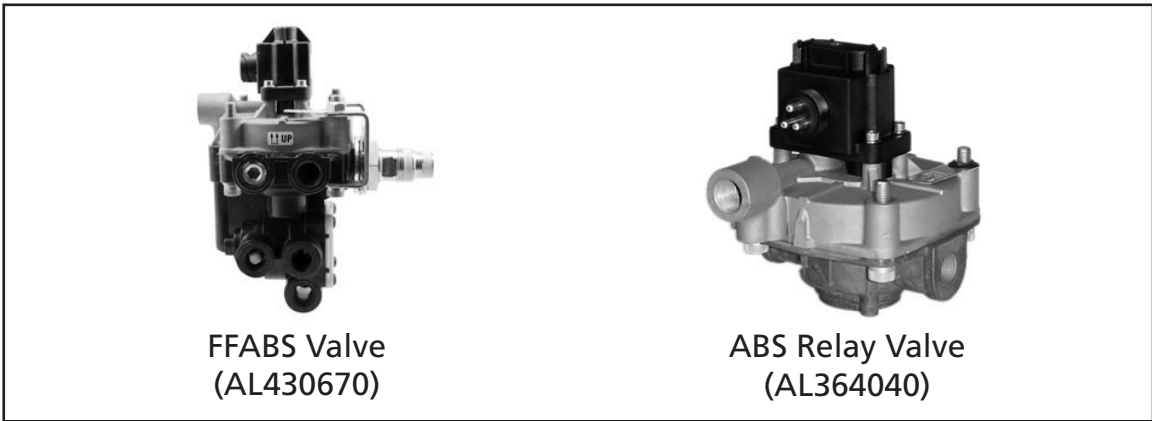
ECU Platforms



PLC Select 1M ECU
(AL919338)

ITCM ECU
(AL919348)

ABS Valve Platforms

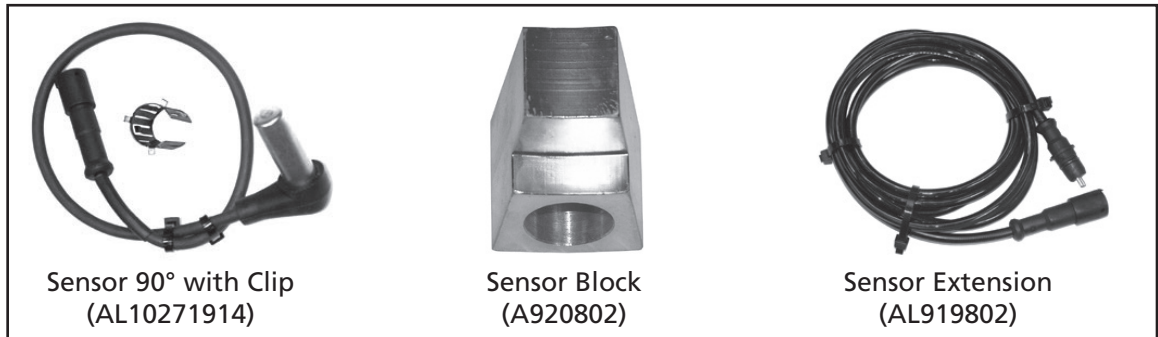


FFABS Valve
(AL430670)

ABS Relay Valve
(AL364040)

Requires separate Spring Brake Control Valve such as Haldex N34031A.

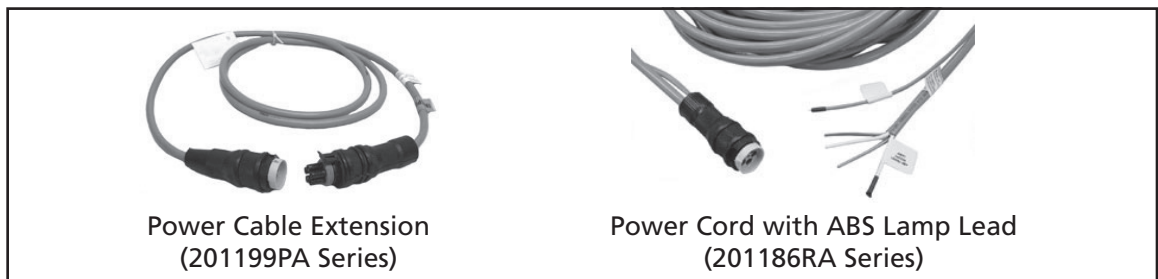
Sensor Components



ABS Cables



Optional Power Cord Components



Optional Miscellaneous Components



ABS Relay Valve Kits
2S/1M Single Axle or Dolly Applications



Features:

- New trailer and competitive replacements
- Cost-effective solution for competitive system changeout
- ECU and ABS Valve designed to be serviced separately

Specifications:

ECU Design: PLC Select
 Valve Type: ABS Relay

Notes:

- 1) DO NOT use this kit to replace the Haldex Full Function ABS (FFABS) System.
- 2) Most ABS maintenance involves Wheel-end Sensors. Haldex recommends that Wheel-end Sensors be replaced when replacing or upgrading the ABS System.

| Service Part No. | Product Description | ECU/Valve Part No. | Valve Specifications | Kit Contents | OEM Part Number |
|------------------|---------------------------|--------------------|---|---|-----------------|
| AQ960505 | 2S/1M ABS Relay Valve Kit | N9001A | 2-Port, 1/2" Reservoir Port, 12V, 3/8" Control Port, 3/8" Delivery Port | Valve/ECU Assemblies 6.0M Power Cord Extension 2.5M Full (90°) Sensors, Clips and Retaining Sleeve, Miscellaneous Hardware required for Installation | - |

FFABS Valve Kits 2S/1M Multiple Axle Application/Primarily New Trailer



AQ960208

Features:

- For non-steer axles
- Patented FFABS Valve with integral Spring Brake Control function
- Pre-installed Reservoir Nipple with swivel and lock-nut feature assures easy servicing
- ECU and ABS Valve designed to be serviced separately

Specifications:

ECU Design: PLC Select
Valve Type: FFABS

Notes:

- 1) Kit content varies see chart below for details.
- 2) Most ABS maintenance involves Wheel-end Sensors. Haldex recommends that Wheel-end Sensors be replaced when replacing or upgrading the ABS System.

| Service Part No. | Product Description | ECU/Valve Part No. | Valve Specifications | Kit Contents | OEM Part Number |
|------------------|-----------------------|--------------------|---|---|-----------------|
| AQ960208 | 2S/1M FFABS Valve Kit | N9001JB | 4-Port FFABS Spring Brake Priority Dual Nipple 1/2" & 3/4" 12V, 3/8" Ports | Valve/ECU Assemblies 20M Power Cord with 12M ABS Lamp Lead Two 2.5M Full Sensors (90°) Clips, Retaining Sleeve | SN602H |
| AQ960802 | 2S/1M FFABS Valve Kit | N9001JB | 4-Port FFABS Spring Brake Priority Dual Nipple 1/2" & 3/4" 12V, 3/8" Ports | Valve/ECU Assemblies 20M Power Cord with 12M ABS Lamp Lead 2.5M Sensor Extension Clips, ABS Light Kit | SN608B |
| AQ961402 | 2S/1M FFABS Valve Kit | N9001JB | 4-Port FFABS Spring Brake Priority Dual Nipple 1/2" & 3/4" 12V, 3/8" Ports | Valve/ECU Assemblies 2.5M Sensor Extension Clips | SN2614B |
| AQ961404 | 2S/1M FFABS Valve Kit | N9001JB | 4-Port FFABS Spring Brake Priority Dual Nipple 1/2" & 3/4" 12V, 3/8" Ports | Valve/ECU Assemblies 6.0M Power Cord Extension 2.5M Sensor Extension Clips | SN2614D |
| AQ961405 | 2S/1M FFABS Valve Kit | N9001JB | 4-Port FFABS Service Brake Priority Dual Nipple 1/2" & 3/4" 12V, 3/8" Ports | Valve/ECU Assemblies 5.0M Power Cable Two 2.0M Sensor Extension ABS Light Kit | SN2614E |
| AQ961406 | 2S/1M FFABS Valve Kit | N9001JB | 4-Port FFABS Service Brake Priority Dual Nipple 1/2" & 3/4" 12V, 3/8" Ports | Valve/ECU Assemblies 5.0M Power Cable Two 2.5M Full Sensors (90°) Clips, Retaining Sleeve ABS Light Kit | SN2614F |

Relay Valve Kits

2S/1M Multiple Axle Application - Primarily Competitive Retrofit



AQ960503

Features:

- Competitive replacements
- For non-steer axles
- Cost-effective solution for competitive system changeout
- ECU and ABS Valve designed to be serviced separately

Specifications:

ECU Design: PLC Select
 Valve Type: ABS Relay

Notes:

- 1) DO NOT use this kit to replace the Haldex Full Function ABS (FFABS) System.
- 2) Kit content varies see chart below for details.
- 3) AQ960514 & AQ960515 MBS2 Trailers require additional kit AQ15457 or AQ15458 to upgrade Wabash in-axle sensor design to conventional sensor and exciter design.
- 4) Most ABS maintenance involves Wheel-end Sensors. Haldex recommends that Wheel-end Sensors be replaced when replacing or upgrading the ABS System.

| Service Part No. | Product Description | ECU/Valve Part No. | Valve Specifications | Kit Contents | OEM Part Number |
|------------------|---|--------------------|--|---|-----------------|
| AQ960503 | WABCO Kit 2S/1M ABS Relay Valve | N9001AA | 6-Port ABS Relay 1/2" Reservoir Port, 12V 3/8" Control/Delivery Ports Requires Separate Spring Brake Control Valve N34031A/KN26120) | Valve/ECU Assemblies 6.0 Power Cord Extension 3.0M Sensor Extension | SN2611D |
| AQ960510 | Bendix Kit 2S/1M ABS Relay Valve | N9001AA | 6-Port ABS Relay 1/2" Reservoir Port, 12V 3/8" Control/Delivery Ports Requires Separate Spring Brake Control Valve N34031A/KN26120) | Valve/ECU Assemblies 6.0 Power Cord Extension 2.0M Sensor Extension | SN2611H |
| AQ960514 | MBS WNC-MAX Kit 2S/1M ABS Relay Valve | N9001ZA | 4-Port ABS Relay 1/2" Reservoir Port, 12V 3/8" Control/Delivery Ports Special Mounting Bracket Requires Separate Spring Brake Control Valve N34031A/KN26120) | Valve/ECU Assemblies 6.0 Power Cord Extension 2.5M Full (90°) Sensors Clips, Retaining Sleeve Miscellaneous Hardware Required for Installation | SN2611P |
| AQ960515 | MBS WNC-LITE Kit 2S/1M ABS Relay Valve | N9001ZA | 6-Port ABS Relay 1/2" Reservoir Port, 12V 3/8" Control/Delivery Ports Special Mounting Bracket Requires Separate Spring Brake Control Valve N34031A/KN26120) | Valve/ECU Assemblies 6.0 Power Cord Extension 2.5M Full (90°) Sensors Clips, Retaining Sleeve Miscellaneous Hardware Required for Installation | SN2611R |

FFABS Valve Kits 4S/2M Tri-Axle - Competitive System Changeout



AQ963002

Features:

- Cost effective solution for competitive system changeout
- Patented FFABS Valve with integral Spring Brake Control function
- Pre-installed Reservoir Nipple with swivel and lock-nut feature assures easy servicing
- ECU and ABS Valve designed to be serviced separately

Specifications:

ECU Design: PLC Select 2M
Valve Type: FFABS

Notes:

- 1) Kit content varies see chart below for details.
- 2) Most ABS maintenance involves Wheel-end Sensors. Haldex recommends that Wheel-end Sensors be replaced when replacing or upgrading the ABS System.

| Service Part No. | Product Description | ECU/Valve Part No. | Valve Specifications | Kit Contents | OEM Part Number |
|------------------|-----------------------|--------------------|---|---|-----------------|
| AQ963002 | 4S/2M FFABS Valve Kit | N9002JD | 4-Port FFABS Dual Nipple 1/2" & 3/4" 12V, 3/8" Ports Spring Brake Priority | 2-Port Relay Valve Cables Accessories | SN2632C |
| AQ963011 | 4S/2M FFABS Valve Kit | N9002JB | 2-Port FFABS Dual Nipple 1/2" & 3/4" 12V, 3/8" Ports Spring Brake Priority | 2-Port Relay Valve Cable Accessories | SN2632M |

**ABS Relay Valve and FFABS Valve Kits
4S/2M Tandem and Tri-Axle - New Trailer Builds**



Features:

- ECU and ABS Valve designed to be serviced separately

Specifications:

ECU Design: PLC Select 2M
Valve Type: ABS Relay or FFABS

Notes:

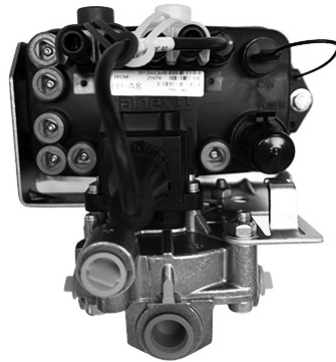
- 1) ABS Relay Valve system requires an additional separate spring brake control valve, such as Haldex KN26120 (N34031A).
- 2) Kit content varies see chart below for detail.
- 3) Most ABS maintenance involves Wheel-end Sensors. Haldex recommends that Wheel-end Sensors be replaced when replacing or upgrading the ABS System.

| Service Part No. | Product Description | ECU/Valve Part No. | Valve Specifications | Kit Contents | OEM Part Number |
|------------------|--|--------------------|---|--|-----------------|
| AQ963004 | 4S/2M ABS Relay Valve Kit Tandem Axles | N9002A | 2-Port ABS Relay 1/2" Reservoir Port 12V 3/8" Control/Delivery Ports | 6.0M Power Cord Extension 1.5M & 2.5M Sensor Ext. 2-Port Relay Valve 2.0M Relay Valve Cable Hose Clips, Cable Grips, Labels | SN2632E |
| AQ963005 | 4S/2M ABS Relay Valve Kit Tri-Axles | N9002AB | 6-Port ABS Relay 1/2" Reservoir Port 12V 3/8" Control/Delivery Ports | 6.0M Power Cord Extension 2.0M & 3.0M Sensor Ext. 2-Port Relay Valve 2.0M Relay Valve Cable Hose Clips, Cable Grips, Labels | SN2632F |
| AQ963013 | 4S/2M FFABS Valve Kit Tri-Axles | N9002JD | 4-Port FFABS Dual Nipple 1/2" & 3/4" 12V 3/8" Ports Spring Brake Priority | 20M Power Cord with 12M ABS Lamp Lead 1.5M & 2.5M Sensor Ext. 2-Port Relay Valve Warning Lamp Kit Misc. Hardware & Labels | SN2632AB |
| AQ963014 | 4S/2M FFABS Valve Kit Tandem Axles | N9002JD | 2-Port FFABS Dual Nipple 1/2" & 3/4" 12V 3/8" Ports Spring Brake Priority | 20M Power Cord with 12M ABS Lamp Lead 2.0M & 2.5M 90° Sensor Ext. 2-Port Relay Valve 2.0M Relay Valve Cable Warning Lamp Kit Misc. Hardware & Labels | SN2632AC |

ABS Relay and FFABS Valves
ITCM - Multiple ABS Configurations



AQ965102



AQ965101

Features:

- 2S/1M, 2S/2M, 4S/2M and 4S/3M ABS configurations
- Communication support includes CAN and PLC
- Patented FFABS Valve with integral Spring Brake Control function (additional valve required for 2M and 3M)
- Expanded Diagnostics and Fleet+

Specifications:

- ECU Design: ITCM ECU will support 1M, 2M and 3M applications
- Auxiliary: Up to six auxiliary plug in options
- CAN: Controller Area Network - SAE J1939 and ISO 11898

Notes:

- 1) ITCM includes expanded diagnostics.
- 2) Kit content varies see chart below for details.
- 3) Most ABS maintenance involves Wheel-end Sensors. Haldex recommends that Wheel-end Sensors be replaced when replacing or upgrading the ABS System.

| Service Part No. | Product Description | ECU/Valve OEM Part No. | Valve Specifications | Kit Contents | OEM Part Number |
|------------------|---------------------|------------------------|-------------------------------------|-----------------------------|-----------------|
| AQ965100 | ITCM Relay Valve A7 | N9004AA | 6-Port Relay Valve Reservoir Mount | Valve and ECU assembly only | N4306KB |
| AQ965101 | ITCM Relay Valve A7 | N9004AB | 4-Port Relay Valve Reservoir Mount | Valve and ECU assembly only | N4306MB |
| AQ965102 | ITCM FFABS Valve A7 | N9004BA | 4-Port FFABS Spring Brake Priority | Valve and ECU assembly only | N4306JB |
| AQ965103 | ITCM FFABS Valve A7 | N9004CA | 4-Port FFABS Service Brake Priority | Valve and ECU assembly only | N4306KB |
| AQ965104 | ITCM Relay Valve A7 | N9004C | 2-Port Relay Valve Reservoir Mount | Valve and ECU assembly only | N4306JB |
| AQ965105 | ITCM FFABS Valve A7 | N9004BB | 4-Port FFABS Spring Brake Priority | Valve and ECU assembly only | N4306LB |

ABS Relay Valve and FFABS Valve Kits
4S/2M ITCM Multiple Axle - New Trailer and Retrofit



AQ965004

Features:

- Communication support includes CAN and PLC
- For non-steer axles. Additional valve included.
- Expanded Diagnostics and Fleet+

Specifications:

- ECU Design: ITCM ECU will support 2M applications
- Auxiliary: Up to six auxiliary plug in options
- CAN: Controller Area Network - SAE J1939 and ISO 11898

Notes:

- 1) ITCM includes expanded diagnostics.
- 2) Kit content varies see chart below for details.
- 3) Most ABS maintenance involves Wheel-end Sensors. Haldex recommends that Wheel-end Sensors be replaced when replacing or upgrading the ABS System.

| Service Part No. | Product Description | ECU/Valve OEM Part No. | Valve Specifications | Kit Contents | OEM Part Number |
|------------------|---|------------------------|---|---|-----------------|
| AQ965001 | 4S/2M ITCM FFABS Valve Kit, A7, Tri-Axle | N9004BA | 4-Port FFABS Spring Brake Priority, 6-Port ABS Relay | Valve/ECU Assemblies 6.0M Power Cord Extension 2.0M Relay Valve Cable 1.5M & 2.5M Sensor Ext. Second Relay Valve (6-Port) Quick Release Valve Hose Clips, Cable Grips | N4306JB |
| AQ965002 | 4S/2M ITCM Relay Valve Kit, A7, Tandem Axle | N9004C | 2-Port ABS Relay Reservoir Mount | Valve/ECU Assemblies 6.0M Power Cord Extension 2.0M Relay Valve Cable 1.5M & 2.5M Sensor Ext. Second Relay Valve (2-Port) Hose Clips, Cable Grips | N4306JB |
| AQ965003 | 4S/2M ITCM Relay Valve Kit, A7, Tri-Axle | N9004AA | 6-Port ABS Relay Reservoir Mount | Valve/ECU Assemblies 6.0M Power Cord Extension 2.0M Relay Valve Cable 2.0M & 3.0M Sensor Ext. Second Relay Valve (6-Port) Hose Clips, Cable Grips | N4306LB |
| AQ965004 | 4S/2M ITCM FFABS Valve Kit, A7, Tandem Axle | N9004BB | 2-Port FFABS Spring Brake Priority, 2-Port ABS Relay | Valve/ECU Assemblies 6.0M Power Cord Extension 2.0M Relay Valve Cable 1.5M & 2.5M Sensor Ext. Second Relay Valve (2-Port) Hose Clips, Cable Grips | N4306LB |
| AQ965005 | 4S/2M ITCM FFABS Valve Kit, A7, Tri-Axle | N9004CA | 4-Port FFABS Service Brake Priority, 6-Port ABS Relay | Valve/ECU Assemblies 6.0M Power Cord Extension 2.0M Relay Valve Cable 1.5M & 2.5M Sensor Ext. Second Relay Valve (6-Port) Quick Release Valve Hose Clips, Cable Grips | N4306KB |
| AQ965006 | 4S/2M ITCM FFABS Valve Kit, A7, Tandem Axle | N9004CB | 2-Port FFABS Service Brake Priority, 2-Port ABS Relay | Valve/ECU Assemblies 6.0M Power Cord Extension 2.0M Relay Valve Cable 1.5M & 2.5M Sensor Ext. Second Relay Valve (2-Port) Hose Clips, Cable Grips | N4306MB |

ABS ECU - Upgrade Kits



AQ964110

Features:

- Wheel-speed sensor and trailer power cord connect directly to ECU - no intermediate cables required
- Single fastener design assures easy serviceability
- Potted ECU enclosure provides excellent protection from the environment

Specifications:

PLC Select 1M Available to upgrade earlier
and 2M Kits: generation ECU platforms

Notes:

- 1) Upgrade to new technology PLC Select 1M or 2M (see below for details).
- 2) Most ABS maintenance involves Wheel-end Sensors. Haldex recommends that Wheel-end Sensors be replaced when replacing or upgrading the ABS System.

| Service Part No. | Product Description | ECU Design | Kit Contents | OEM Part Number |
|------------------|--|---------------|---|-----------------|
| AQ960502 | ECU Upgrade Kit 2S/1M A8 for Single Axle and Dollie Applications | PLC Select | 2.0M Power Cord Extension 3.0M Sensor Extensions PLC Select ECU and Bracket Power Cord End Kit | SN2605B |
| AQ964110 | ECU Upgrade Kit 2S/1M A7 for Tandem and Multiple Applications | PLC Select | 1.0M Power Cord Extension 0.5M Sensor Extensions PLC Select ECU and Bracket | SN2641TC |
| AQ964111 | ECU Upgrade Kit 4S/2M for Multi-Axle Applications | 2M PLC Select | 2.0M Power Cord Extension 1.0M Sensor Extensions PLC Select 2M ECU and Bracket Power Cord End Kit Valve Relay Cable | SN2632AA |
| AQ964112 | ECU Upgrade Kit 2S/1M A8 for Single Axle and Dollie Applications | PLC Select | .3M Power Cord Extension PLC Select ECU and Bracket Valve Relay Cable | SN2641TE |

PLC Select 1M and 2M



AL919339

Features:

- Wheel-speed sensor and trailer power connect directly to ECU - no intermediate cables required
- Single fastener design assures easy serviceability
- Potted ECU enclosure provides excellent protection from the environment

Specifications:

- PLS Select 1M: Supports all 2S/1M applications
- PLC Select 2M: Supports all 4S/2M (or 2S/2M) applications

Notes:

- 1) PLC Select 1M and 2M Kits are available to upgrade earlier generation ECU platforms.
- 2) Post October 2009 Service Part Numbers incorporate DIN Style Solenoid Cable.
- 3) If replacing Pre-October 2009 ECU and replacing Valve Solenoid; use AL919347 Adapter Cable.

| Service Part No. | Product Description | ECU Specification | ECU Dimensions | Application | OEM Part Number |
|------------------|-----------------------------------|-------------------|---|------------------------------|-----------------|
| AL919336 | PLC Select Plus ECU 2S/1M | DIN 12V, SLH-A7 | 4 1/4" Height x 8" Width | Multi-Axle | - |
| AL919338 | PLC Select 1M ECU 2S/1M | DIN 12V, SLH-A7 | 4 1/4" Height x 5 1/2" Width | Multi-Axle (non-steer axles) | 201200BA |
| AL919339 | PLC Select 1M ECU 2S/1M | DIN 12V, SLH-A8 | 4 1/4" Height x 5 1/2" Width | Dollies and single axle | 201200BB |
| AL919340 | PLC Select 1M ECU 2S/1M | DIN 12V, SLH-A7 | 4 1/4" Height x 5 1/2" Width with .675MM Valve Cable Lead | Multi-Axle (non-steer axles) | 201200BC |
| AL919341 | PLC Select 1M ECU 2S/1M | DIN 12V, SLH-A8 | 4 1/4" Height x 5 1/2" Width with .675MM Valve Cable Lead | Dollies and single axle | 201200BD |
| AL919342 | PLC Select 2M ECU 2S/2M and 4S/2M | DIN 12V, SLH-A7 | 4 1/4" Height x 8" Width | Multi-Axle | 202028AB |

Intelligent Trailer Control Module (ITCM)



AL919353

Features:

- PLC Select Low/High technology, 12V power
- Self-configurable and flash upgradable
- 2S/1M, 2S/2M, 4S/2M and 4S/3M ABS configurations
- Communication support includes CAN and PLC
- Single fastener design assures easy serviceability
- Potted ECU enclosure provides excellent protection from the environment
- Expanded Diagnostics and Fleet+

Specifications:

- Dimensions: 4 1/2" Height x 8" Wide
- Applications: ITCM ECU supports 1M, 2M and 3M
- Auxiliary: Up to six auxiliary plug in options
- Communication: Power Line Carrier (PLC)
Trailer 7-Way
Controller Area Network (CAN)
SAE J1939 and ISO 11898

Notes:

- 1) Upgrade any Haldex ABS platform.
- 2) Expanded Diagnostics platform available.
- 3) Bracket sold separately, use Part Number A920813.

| Service Part No. | Product Description | ECU Specification | Application | Notes | OEM Part Number |
|------------------|---------------------|-------------------|-------------------------|-----------------------------|-----------------|
| AL919348 | ECU Only | DIN 12V, SLH-A7 | Multi-Axle | - | 201200CA |
| AL919349 | ECU Only | DIN 12V, SLH-A8 | Dollies and single axle | - | 201200CB |
| AL919350 | ECU Only | DIN 12V, SLH-A7 | Multi-Axle | .675MM Valve Cable Included | 201200CC |
| AL919351 | ECU Only | DIN 12V, SLH-A8 | Dollies and single axle | .675MM Valve Cable Included | 201200CD |
| AL919352 | ECU Only | DIN 12V, SLH-A8 | Dollies and single axle | With BMS-3 | 201200DA |
| AL919353 | ECU and Bracket | DIN 12V, SLH-A7 | Multi-Axle | Bracket Included | SN2900KA |
| AL919354 | ECU and Bracket | DIN 12V, SHL-A8 | Dollies and single axle | Bracket Included | SN2900KB |

Solenoid Kit



| Service Part No. | Product Description | Application | Notes | OEM Part Number |
|------------------|---------------------|--------------------------------|--|-----------------|
| AQ40525 | ABS Solenoid Kit | 12V, 24MM Electrical Connector | Includes new mounting hardware, check ball, DIN solenoid and adapter cable | - |

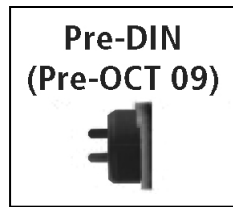
Adapter Cables - DIN and Pre-DIN Systems



| Service Part No. | Product Description | Length | OEM Part Number |
|------------------|---|--------|-----------------|
| AL919346 | ABS Adapter Cable - Pre-DIN ECU to DIN Solenoid | 6" | 364542001 |

| Service Part No. | Product Description | Length | OEM Part Number |
|------------------|---|--------|-----------------|
| AL919347 | ABS Adapter Cable - DIN ECU to Pre-DIN Solenoid | 6" | 364544001 |

FFABS 2-Port and 4-Port Delivery



AL430670

Features:

- Patented FFABS Valve with integral Spring Brake control function
- Pre-installed reservoir nipple with swivel and lock-nut feature assures easy serviceability
- FFABS valves are standard with filters in both the Control and Supply Ports
- Production part number is embossed on metal tag

Specifications:

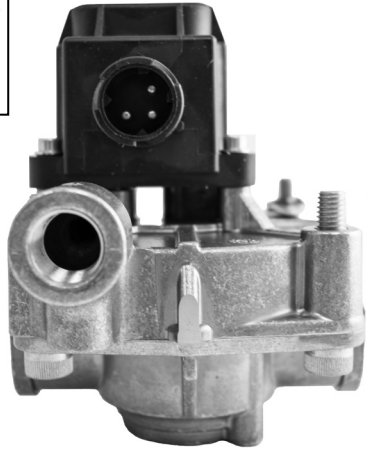
- | | |
|---------------------|---|
| 2-Port FFABS Valve: | Single axle application (either 2S/1M or 2S/2M) |
| 4-Port FFABS Valve: | Multiple axle application (2S/1M) and two or more axles (4S/2M) |

Notes:

- 1) ECU and bracket may need to be transferred from existing valve.
- 2) Black exhaust cover is Service Brake Priority. Gray exhaust cover is Spring Brake Priority.
- 3) Post November 2009 Service Part Numbers shipped with adapter cable for pre-DIN ECU.

| Service Part No. | Valve Type | Application | Voltage | Res. Port | Cont. Port | Del. Port | Notes | OEM Part Number |
|------------------|--------------|--|---------|-----------|------------|-----------|--|-----------------|
| AL430614 | 4-Port FFABS | Multiple-Axle 2S/1M 3 or More Axles 4S/2M | 12V | 3/8" | 3/8" | 3/8" | 1/2" & 3/4" Nipple, Service Brake Priority | - |
| AL430620 | 4-Port FFABS | Multiple-Axle 2S/1M 3 or More Axles 4S/2M | 24V | 3/8" | 3/8" | 3/8" | 1/2" & 3/4" Nipple, Service Brake Priority | N4306HA |
| AL430624 | 4-Port FFABS | Multiple-Axle 2S/1M 3 or More Axles 4S/2M | 12V | 3/8" | 3/8" | 3/8" | 1/2" & 3/4" Nipple, Spring Brake Priority | - |
| AL430644 | 2-Port FFABS | Single Axle 2S/1M or 4S/2M | 12V | 3/8" | 3/8" | 3/8" | 1/2" & 3/4" Nipple, Service Brake Priority | - |
| AL430664 | 2-Port FFABS | Single Axle 2S/1M or 4S/2M | 12V | 3/8" | 3/8" | 3/8" | 1/2" & 3/4" Nipple, Spring Brake Priority | - |
| AL430666 | 4-Port FFABS | Multiple-Axle 2S/1M 3 or More Axles 4S/2M | 12V | 3/8" | 3/8" | 3/8" | 1/2" & 3/4" Nipple, Spring Brake Priority (4-SB Port) | N4306JD |
| AL430668 | 4-Port FFABS | Multiple-Axle 2S/1M 3 or More Axles 4S/2M | 12V | 3/8" | 3/8" | 3/8" | 1/2" & 3/4" Nipple, Service Brake Priority (4-SB Port) | N4306KD |
| AL430670 | 2-Port FFABS | Single Axle 2S/1M or 4S/2M | 12V | 3/8" | 3/8" | 3/8" | 1/2" & 3/4" Nipple, Spring Brake Priority (4-SB Port) | N4306LD |
| AL430672 | 2-Port FFABS | Single Axle 2S/1M or 4S/2M | 12V | 3/8" | 3/8" | 3/8" | 1/2" & 3/4" Nipple, Service Brake Priority (4-SB Port) | N4306MD |

ABS Relay 2-Port and 6-Port Delivery



AL364040

Features:

- Production part number is embossed on metal tag

Specifications:

2-Port ABS Relay Valve: Single axle application (either 2S/1M or 2S/2M)

6-Port ABS Relay Valve: Multiple axle application (2S/1M) and two or more axles (4S/2M)

Notes:

- 1) Frame mount valve may be used in both applications by re-positioning cover.
- 2) ECU and bracket may need to be transferred from existing valve.
- 3) Post November 2009 Service Part No. is shipped with Adapter Cable for pre-DIN ECU.

| Service Part No. | Valve Type | Application | Voltage | Res. Port | Cont. Port | Del. Port | Notes | OEM Part Number |
|------------------|------------------|--|---------|-----------|------------|-----------|----------------------|-----------------|
| AL364040 | 2-Port ABS Relay | Single Axle 2S/1M or 4S/2M | 12V | 3/8" | 3/8" | 3/8" | 1/2" Reservoir Mount | 364140112 |
| AL364041 | 6-Port ABS Relay | Multiple-Axle 2S/1M 3 or More Axles 4S/2M | 12V | 3/8" | 3/8" | 3/8" | 1/2" Reservoir Mount | 364141112 |
| AL364045 | 2-Port ABS Relay | Single Axle 2S/1M or 4S/2M | 12V | 3/8" | 3/8" | 3/8" | 1/2" Frame Mount | 364140111 |
| AL364046 | 6-Port ABS Relay | Multiple-Axle 2S/1M 3 or More Axles 4S/2M | 12V | 3/8" | 3/8" | 3/8" | 1/2" Frame Mount | 364141111 |
| AL364080 | 2-Port ABS Relay | Single Axle 2S/1M or 4S/2M | 24V | 3/8" | 3/8" | 3/8" | 1/2" Reservoir Mount | 364318001 |

Full Power Cables



AL918603

Features:

- Overmold design introduced 3Q2009
- All full power cables include ABS Lamp lead
- All full power cables may be shortened to fit application by cutting the "stripped end"

Specifications:

ECU End: Includes overmolded industry 5-pin female connector

Trailer Power End: Stripped wire End:

Notes:

- 1) Pre-2001 models discontinued.

| Service Part No. | Product Description | Length | ABS Lamp Lead | Application | OEM Part Number |
|------------------|----------------------|----------------|----------------|--------------------------------------|-----------------|
| AL918602 | ABS Full Power Cable | 65.7 ft. (20M) | 39.4 ft. (12M) | For production March 2001 to present | 201186RD |
| AL918603 | ABS Full Power Cable | 39.4 ft. (12M) | 26.2 ft. (8M) | For production March 2001 to present | 201186RA |
| AL918604 | ABS Full Power Cable | 52.5 ft. (16M) | 26.2 ft. (8M) | For production March 2001 to present | 201186RB |
| AL918605 | ABS Full Power Cable | 59.1 ft. (18M) | 39.4 ft. (12M) | For production March 2001 to present | 201186RC |
| AL918606 | ABS Full Power Cable | 16.0 ft. (5M) | 10.0 ft. (3M) | For production March 2001 to present | 201186RG |

Power Cord Extensions



AL91900

Features:

- Overmold design introduced 3Q2009

Specifications:

ECU End and Trailer Power End: Include overmolded industry 5-pin female connector

Notes:

- 1) Use Power Cord Extension when Trailer Power Cable is too short to reach the ECU 5-pin connector.
- 2) Haldex PLC Select ECU platform design permits elimination of a Power Cord Extension.

| Service Part No. | Product Description | Length | Notes | OEM Part Number |
|------------------|--------------------------|---------------|-------|-----------------|
| AL919900 | ABS Power Cord Extension | 6.6 ft. (2M) | - | 201199PB |
| AL919901 | ABS Power Cord Extension | 13.1 ft. (4M) | - | 201199PD |
| AL919902 | ABS Power Cord Extension | 19.7 ft. (6M) | - | 201199PF |
| AL919903 | ABS Power Cord Extension | 3.0 ft. (1M) | - | 201199PA |
| AL919904 | ABS Power Cord Extension | 1.0 ft. (.3M) | - | 201199PG |

ABS Trailer - Y Cable Adapters / Loom Assemblies

Y Cable Adapters for Dual ECU Connection



| Service Part No. | Product Description | Length |
|------------------|---|---------------------|
| AL301221 | Y Cable Adapter for Dual ECU Connection | (2) 36" and (1) 18" |

| Service Part No. | Product Description | Length |
|------------------|---|--------|
| AL301222 | Y Cable Adapter for Dual ECU Connection | 6" |

ABS Looms 2S/1M PLC AND 4S/2M PLC



AL40900

Features:

- AL40900-906 OEM assembly number is located on tag on existing loom

Specifications:

- ECU End: 19-Pin Connector that interfaces with matching connector on the ECU (insure both sides are locked in place to assure constant electrical signal and proper ABS performance)
- Trailer End:
 - Sensor Leads - 2 or 4 depending on ABS configuration
 - Valve Leads - 1 or 2 depending on ABS configuration
 - Power Lead with industry 5-Pin male connector

Notes:

- For longer Power Cord Adapters, use Power Cord Extensions.
- PLC Plus platform discontinued - UPGRADE TO NEW TECHNOLOGY (ECU Upgrade Kits).
 AQ964110 replaces AL40953, AL40957
 AQ964111 replaces AL956100, AL956104, AL956108

| Service Part No. | Product Description | Power Cord Length | Specification | Application | OEM Part Number |
|------------------|-----------------------------|-------------------|-------------------------------------|---------------------------------------|-----------------|
| AL40900 | ABS 2S/1M PLC Loom Assembly | 1.5 ft. (0.5M) | SLH-A7, 19-Pin 2 Keys - Diagonal | Production from March 2001 to Present | 409000A |
| AL40901 | ABS 2S/1M PLC Loom Assembly | 1.5 ft. (0.5M) | SLH-A8, 19-Pin 2 Keys - Across | Production from March 2001 to Present | 409000AA |
| AL40903 | ABS 2S/1M PLC Loom Assembly | 13.1 ft. (4.0M) | SLH-A7 | Production from March 2001 to Present | 40900B |
| AL40906 | ABS 4S/2M PLC Loom Assembly | 1.5 ft. (0.5M) | 19-Pin, No Keys | Production from March 2001 to Present | 409000CA |

Sensors 90° and Straight Body



AL1027196



AL10271914

Features:

- Sensors supplied with Retainer Clip
Service Part No. A59512309
OEM Part No. 059512309

Specifications:

Haldex Sensors: Use only Haldex Sensor Retainer Clips

Notes:

- 1) Longer lengths maybe used; secure excess to trailer.
- 2) Production cables are identified with a tape applied OE part number.

| Service Part No. | Product Description | Length | Notes | OEM Part Number |
|------------------|---|-----------------|--|-----------------|
| AL10271914 | ABS 90° Sensor Body with Clip | 1.6 ft. (.5M) | Sensor Retainer Clip 059512309 not included with OEM Part Number | 364094001 |
| AL10271915 | ABS 90° Sensor Body with Clip | 6.6 ft. (2M) | Sensor Retainer Clip 059512309 not included with OEM Part Number | 364094061 |
| AL1027196 | ABS Straight Sensor Body with Clip | 1.6 ft. (.5M) | Sensor Retainer Clip 059512309 not included with OEM Part Number | 364528001 |
| AL1027197 | ABS Straight Sensor Body with Clip | 6.6 ft. (2M) | Sensor Retainer Clip 059512309 not included with OEM Part Number | 364528011 |
| AL1027198 | ABS Straight Sensor Body with Clip | 13.1 ft. (4M) | Sensor Retainer Clip 059512309 not included with OEM Part Number | 364528051 |
| AL364053 | ABS 90° Sensor Body with Clip | 13.1 ft. (4M) | Sensor Retainer Clip 059512309 not included with OEM Part Number | 364094111 |
| AL364061 | ABS 90° Sensor Body with Clip | 4.9 ft. (1.5M) | Sensor Retainer Clip 059512309 not included with OEM Part Number | 364094041 |
| AL364062 | ABS 90° Sensor Body with Clip | 8.2 ft. (2.5M) | Sensor Retainer Clip 059512309 not included with OEM Part Number | 364094081 |
| AL364063 | ABS 90° Sensor Body with Clip | 11.5 ft. (3.5M) | Sensor Retainer Clip 059512309 not included with OEM Part Number | 364094101 |
| AL364068 | ABS 90° Sensor Body with Clip | 4.0 ft. (1.25M) | Sensor Retainer Clip 059512309 not included with OEM Part Number | 364094121 |
| AL364069 | ABS 90° Sensor Body with Clip | 5.0 ft. (1.75M) | Sensor Retainer Clip 059512309 not included with OEM Part Number | 364094051 |
| AL364070 | ABS 90° Sensor Body with Clip | 7.0 ft. (2.25M) | Sensor Retainer Clip 059512309 not included with OEM Part Number | 364094071 |
| AL364071 | ABS 90° Sensor Body with Clip | 9.0 ft. (3M) | Sensor Retainer Clip 059512309 not included with OEM Part Number | 364094091 |
| AQ40213 | ABS 90° Sensor Body with Clip and Block | 6.6 ft. (2M) | Service Part No. and OEM Part Number both include Retainer Clip 059512309 and Block A920802. | SN4021TB |

Sensor Extensions Universal



Features:

- For use with any Haldex Sensor or Sensor Extension to accommodate required length
- Use in conjunction with 0.5M Sensors to interface with the ECU (or Loom) connections OR with the longer Sensors to gain additional length in special applicaitons

Specifications:

ECU End: 2-Pin Female Connector

Sensor End: 2-Pin Male Connector

Notes:

- 1) Longer lengths may be used; secure excess to trailer.

| Service Part No. | Product Description | Length | OEM Part Number |
|------------------|-------------------------------------|-----------------|-----------------|
| AL919800 | ABS Extension for Sensor Cable Lead | 1.6 ft. (.5M) | 201198BA |
| AL919801 | ABS Extension for Sensor Cable Lead | 3.3 ft. (1M) | 201198BB |
| AL919802 | ABS Extension for Sensor Cable Lead | 4.9 ft. (1.5M) | 201198BC |
| AL919803 | ABS Extension for Sensor Cable Lead | 6.6 ft. (2M) | 201198BD |
| AL919804 | ABS Extension for Sensor Cable Lead | 8.2 ft. (2.5M) | 201198BE |
| AL919805 | ABS Extension for Sensor Cable Lead | 9.8 ft. (3M) | 201198BF |
| AL919806 | ABS Extension for Sensor Cable Lead | 11.5 ft. (3.5M) | 201198BG |
| AL919807 | ABS Extension for Sensor Cable Lead | 13.1 ft. (4M) | 201198BH |
| AL919808 | ABS Extension for Sensor Cable Lead | 16.4 ft. (5M) | 201198BJ |
| AL919809 | ABS Extension for Sensor Cable Lead | 19.7 ft. (6M) | 201198BK |
| AL919810 | ABS Extension for Sensor Cable Lead | 26.2 ft. (8M) | 201198BL |
| AL919811 | ABS Extension for Sensor Cable Lead | 32.8 ft. (10M) | 201198BM |

ABS Valve Cable Extensions DIN Systems



Features:

- Trailer ABS Extension for ABS Valve Cable - DIN Systems

Specifications:

Cable Female End: 3-Pin Female Connector DIN

Cable Male End: 3-Pin Male Connector DIN

Notes:

- 1) Longer lengths maybe used; secure excess to trailer.

| Service Part No. | Product Description | Length | Notes | OEM Part Number |
|------------------|---|----------------|---|-----------------|
| AL919819 | ABS Valve Cable Extension - DIN Systems | 3.3 ft. (1M) | For Pre-DIN Systems see Adapter Cables on Page 11 | 364543001 |
| AL919820 | ABS Valve Cable Extension - DIN Systems | 6.6 ft. (2M) | For Pre-DIN Systems see Adapter Cables on Page 11 | 364543011 |
| AL919821 | ABS Valve Cable Extension - DIN Systems | 13.2 ft. (4M) | For Pre-DIN Systems see Adapter Cables on Page 11 | 364543021 |
| AL919822 | ABS Valve Cable Extension - DIN Systems | 26.4 ft. (8M) | For Pre-DIN Systems see Adapter Cables on Page 11 | 364543031 |
| AL919823 | ABS Valve Cable Extension - DIN Systems | 33.0 ft. (10M) | For Pre-DIN Systems see Adapter Cables on Page 11 | 364543041 |

**Remote ABS Valve Cable
PLC Select 2M and PLC Select Plus DIN Systems**



Features:

- Weather tight, click-fit connect at PLC Select 2M ECU

Specifications:

Valve Solenoid 3-Pin Female Connector DIN End:

Notes:

- 1) To gain additional length for special applications use valve Cable Extensions such as **AL919812**.
- 2) Upgrade to new technology PLC Select 1M or 2M by contacting a Haldex Representative for application assistance.

| Service Part No. | Product Description | Length | Notes | OEM Part Number |
|------------------|--|---------------|-------|-----------------|
| AL929818 | Remote ABS Valve Cable - PLC Select 2M and PLC Select Plus DIN Systems | 3.3 ft. (1M) | - | 364533001 |
| AL929819 | Remote ABS Valve Cable - PLC Select 2M and PLC Select Plus DIN Systems | 6.6 ft. (2M) | - | 364533011 |
| AL929820 | Remote ABS Valve Cable - PLC Select 2M and PLC Select Plus DIN Systems | 16.4 ft. (5M) | - | 364533021 |
| AL929821 | Remote ABS Valve Cable - PLC Select 2M and PLC Select Plus DIN Systems | 29.5 ft. (9M) | - | 364533031 |

**Auxiliary Interface Cables
PLC Select Plus**



| Service Part No. | Product Description | Length | Notes | OEM Part Number |
|------------------|---|----------------|--------------------------------------|-----------------|
| AL929817 | Auxiliary Interface Cable - PLC Select Plus | 59.0 ft. (18M) | ECU Input - 7 Way Application | 814001312 |
| AL929822 | Auxiliary Interface Cable - PLC Select Plus | 3.3 ft. (1M) | 2 Conductor Yellow/Red Application | 201199SA |
| AL929823 | Auxiliary Interface Cable - PLC Select Plus | 13.2 ft. (4M) | 2 Conductor Yellow/Black Application | 201199SB |

CAN Cables ITCM ABS



AL929832

Features:

- Works with Haldex ITCM ECU

Specifications:

Over molded Auxiliary to Auxiliary
4-Pin:

Notes:

- 1) Required when using some Haldex Auxiliary applications.

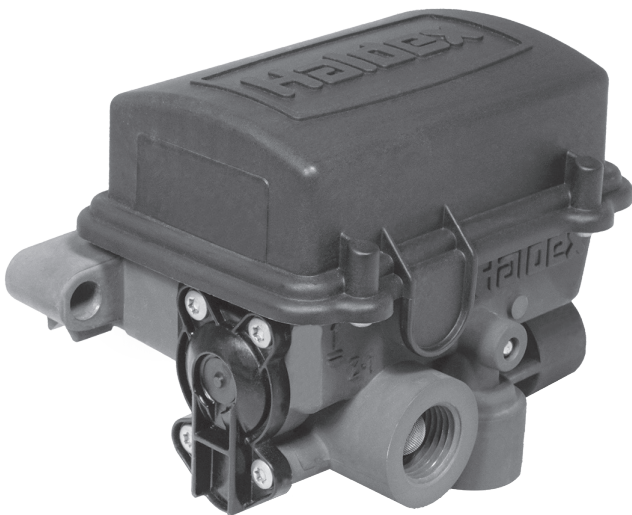
| Service Part No. | Product Description | Length | Notes | OEM Part Number |
|------------------|---|---------------------|--------------|-----------------|
| AL929827 | CAN Cable ITCM ABS - 4-Pin | 21.3 ft. (6.5M) | - | 814037001 |
| AL929828 | CAN Cable ITCM ABS - 4-Pin | 1.6 ft. (0.5M) | - | 814037011 |
| AL929829 | CAN Cable ITCM ABS - 4-Pin | 26.25 ft. (8.0M) | - | 814037021 |
| AL929830 | CAN Cable ITCM ABS - 4-Pin | 45.9 ft. (14.0M) | - | 814037031 |
| AL929831 | CAN Cable ITCM ABS - 4-Pin | 8.2 ft. (2.5M) | - | 814037041 |
| AL929832 | CAN Cable ITCM ABS - 4-Pin | 3.3 ft. (1.0M) | - | 814037051 |
| AL929833 | CAN Cable ITCM ABS - Y-Splitter (3 Female) | 1.6 ft. (0.5M) each | - | 814038001 |
| AL929834 | CAN Cable ITCM ABS - Y-Splitter (2 Female and 1 Male) | 1.6 ft. (0.5M) each | - | 814038101 |
| AL929835 | CAN Cable ITCM ABS - ECU to Side of Vehicle | 8.2 ft. (2.5M) | Not pictured | 814030011 |
| AL929836 | CAN Cable ITCM ABS - Vehicle to PC (Dongle) | 21.3 ft. (6.5M) | Not pictured | 814011001 |

**Trailer Roll Stability (TRS)
Replacements Parts**

Some Trailer Roll Stability (TRS) replacement parts are still available.

| Service Part No. | Product Description | Application/Notes | OEM Part Number |
|------------------|--|--|-----------------|
| 815012011 | Remote Accelerometer - TRS | For installations where centered mounting isn't available | 815012011 |
| A993108 | Label - TRS | TRS Weld Warning Label | 600384G |
| AL364431 | InfoCenter 2 - TRS | July 2010 to Present production 12V, American Standard Units for TRS | 835005001 |
| AL833000 | Dual Modulator Valve - TRS | Reservoir Port 1/2", Control Port 3/8", Air Bag Port 3/8", Delivery Ports 3/8" (6) | 833002001 |
| AL956112 | Sensor Extension - TRS | 10 ft. (3M) length with click-fit sealed connector | 814004401 |
| AL956113 | Diagnostic Cable - TRS | July 2005 to Present production; side of trailer bracket mount for TRS tools | 814010101 |
| AL956114 | Sensor Extension - TRS | 20 ft. (6M) length with click-fit sealed connector | 814004411 |
| AL956115 | Sensor Extension - TRS | 6.5 ft. (2M) length with click-fit sealed connector | 814004421 |
| AL956116 | Power Cord Extension Basic - TRS (no brake light illumination benefit) | Provides Delphi 5-Pin N.A. Power Convention, 1.6 ft. (.5M) length | 834005001 |
| AL956117 | InfoCenter 2 to ECU Connection Cable - TRS | TRS InfoCenter 2 connector cable, 21 ft. (6.5M) length | 814019001 |
| SN158DN | Diagnostic PC Kit - TRS | 12V Interface Cabling (PC not included) | SN158DN |

Stability Module Valve



Features:

- Communicates over CAN (Controller Area Network)
- Auto-orientates
- Used on spring or air suspension
- Can be used with 1M, 2M, 3M

Specifications:

Voltage: 12V

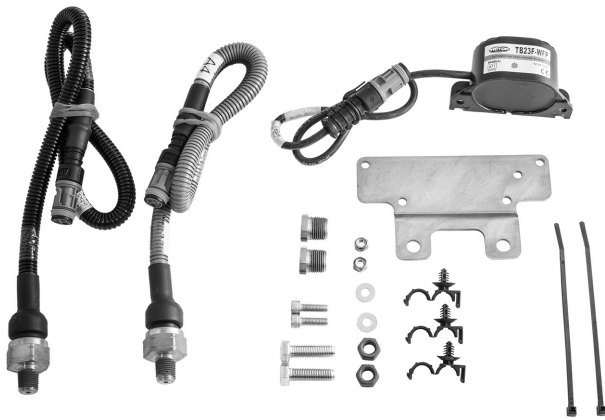
Supply/Delivery/ Control Ports: 3.8" NTP

Control Ports:

Reservoir Port: 1/2"

| Service Part No. | Product Description | Cable Length | Notes | OEM Part Number |
|------------------|---|----------------|---------------------------------|-----------------|
| AL56000 | Stability Module only No Cable Included | n/a | Requires the use of Haldex ITCM | 364619001 |
| AQ968400 | Stability Module with 1.0M Cable | 3.3 ft. (1.0M) | Requires the use of Haldex ITCM | SN2633BA |
| AQ968401 | Stability Module with 2.5M Cable | 8.2 ft. (2.5M) | Requires the use of Haldex ITCM | SN2633BB |

**Brake Monitoring System
BMS-3**



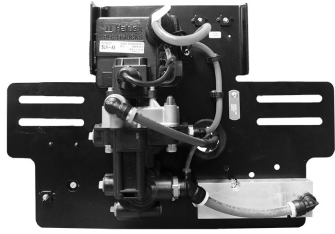
AQ25000

Features:

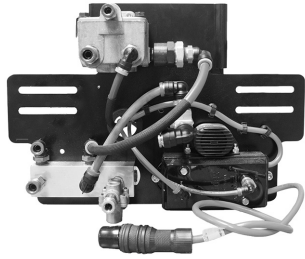
- Operates in conjunction with ITCM
- Warns driver of potential brake drag, air system leaks in emergency line, false charging of dolly and trailer, closed shut-off valve
- Alarm
- Requires configuration of ITCM by use of DIAG+ Software to configure AUX.

| Service Part No. | Product Description | Dimension | Application/Notes | OEM Part Number |
|------------------|--------------------------------|-----------|-------------------|-----------------|
| AQ25000 | Brake Monitoring System BMS-3 | - | Requires ITCM | SN2500PA |
| AL929824 | Pressure Switch, Service BMS-3 | - | Requires ITCM | 201120HC |
| AL929825 | Pressure Switch, Supply BMS-3 | - | Requires ITCM | 201120HD |
| AL929826 | Alarm Assembly BMS-3 | - | Requires ITCM | 201186SA |

ABS Panels - Trailer



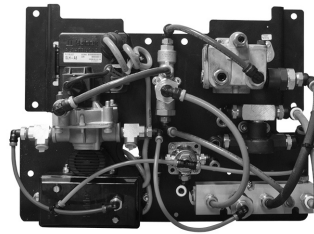
Trailer ABS Panel Front



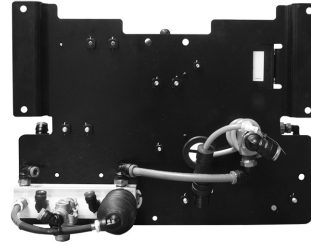
Trailer ABS Panel Back

AQ994305

ABS Panels - Dolly



Dolly ABS Panel Front



Dolly ABS Panel Back

AQ994306

| Service Part No. | Product Description | Notes | OEM Part Number |
|------------------|--------------------------|--|-----------------|
| AQ994305 | Trailer Panel Kit | System with Brake Monitoring (ABMD) | N4299AJ |
| AQ994306 | Dolly Panel Kit | System with Brake Monitoring (ABMD) | N4299BE |
| AQ994307 | Trailer Panel Kit | I-Beam Bracket; Includes 2 Brackets and Hardware | - |
| AQ994308 | Trailer Panel Repair Kit | 5 1/4" Bracket Kit; Includes 2 Brackets and Hardware | - |
| AQ994309 | Trailer Panel Kit | 7 3/4" Bracket Kit; Includes 2 Brackets and Hardware | - |
| AQ994310 | Panel Service Kit | Fittings and hose to repair panel | - |
| AQ994311 | Dolly Panel Kit | Tandem Axle Dolly, Spring Suspension | N4299BM |
| AQ994312 | Dolly Panel Kit | Single Axle Dolly, Spring Suspension | N4299BN |
| AQ994313 | Top Bracket Kit | Includes 1 Top Bracket and Hardware | SN154GH |
| AQ994316 | Dolly Panel Kit | ITCM, BMS-3, Reservoir Purge, Air Suspension | N4299BS |
| AQ994317 | Trailer Panel Kit | ITCM, BMS-3, Reservoir Purge, Air Suspension | N4299AL |

ABS Welding Labels

| Service Part No. | Product Description | Application/Notes | OEM Part Number |
|------------------|--------------------------------------|--------------------|-----------------|
| A993107 | Anti-Lock Braking System (ABS) Label | Weld Warning Label | 101931ZZ |

Diagnostics and Displays ABS PLC Infocenter



| Service Part No. | Product Description | Application/Notes | OEM Part Number |
|------------------|----------------------------------|--|-----------------|
| AQ15855 | PLC ABS Infocenter and cable Kit | Workshop tool only, not to be vehicle mounted. | - |

Diagnostics and Displays ABS PLC Diagnostic Kits



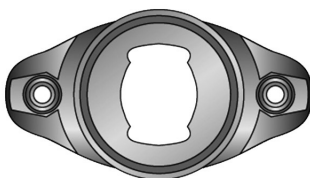
AQ15854

| Service Part No. | Product Description | Application/Notes | OEM Part Number |
|------------------|---|--|-----------------|
| AL2030012 | Tractor Power Outlet Adapter | Haldex PLC System Cigarette Adapter, March 2001 to Present | 203001B |
| AL230010 | 7-Way Diagnostic Interface Cable | Haldex PLC J560 Interface, March 2001 to Present | 203001 |
| AL230011 | 7-Way T to PC Adapter | Haldex PLC J560 Interface | AL230011 |
| AQ15854 | PLC Trailer ABS PC Diagnostic (USB) Kit | Haldex PLC/PC Diagnostic Program, March 2001 to Present; Minimum CPU Requirements Pentium II with 32MB RAM 233 MHZ Processor; Windows 95B or NT4.0 (PC Not Included) | SN158DM |
| AQ15900 | ABS PC Diagnostic+ Kit | Use with ITCM ECU (PC Not Included) | SN5000A |

ABS Trailer Lights and Components



AQ15463



A920805



A1017316

| Service Part No. | Product Description | Application/Notes | OEM Part Number |
|------------------|--|--|-----------------|
| A1017316 | Trailer ABS Round Indicator Lamp | - | 101731F |
| A920805 | Bracket for Trailer ABS Round Indicator Lamp | For use with Part Number A1017316 | 102008HP |
| AQ15463 | Trailer ABS Round Indicator Lamp Kit | Includes ABS Round Indicator Lamp A1017316, A920805 Bracket for Installation and 6" Lead | SN154FC |

ECU/Valve Brackets and Loom Clasps



A920808



A920811



A920813



A920814

Damage to ECU/Valve Brackets may indicate damage to other ABS components that should be diagnosed before changing the bracket.

| Service Part No. | Product Description | Application/Notes | OEM Part Number |
|------------------|--|---|-----------------|
| A920808 | Trailer ABS ECU Mounting Bracket | 19 Pin Interface; Screws Included | 300245AB |
| A920811 | Trailer ABS PLC Select ECU Mounting Bracket | For ITCM and PLC Select; Bracket Only | 015505209 |
| A920813 | Trailer ABS PLC Select 2M ECU Mounting Bracket | For ITCM and PLC Select 2M; Bracket and Hardware Included | 015506209 |
| A920814 | FFABS Valve Mounting Bracket | For FFABS Valves; Bracket Only | 102008HM |

Sensor Accessories, Blocks and Exciter Rings



A2020109



AL920809
AL920810



A902700



A027533909 (Blue)
A027534009 (Yellow)



A920802



A902701
A902702



200817AL

| Service Part No. | Product Description | Dimension | Application/Notes | OEM Part Number |
|------------------|--|---|---|-----------------|
| A2020109 | Trailer ABS Exciter Ring | 100 Tooth: ID 6.4953"-6.4949" OD 7.037"-7.057" | Standard Pack 1 | 202010J |
| A902700 | Tractor and Trailer ABS Retainer | - | Standard Pack 4; Sensor Cable to Lead | 102700C |
| A902701 | Tractor and Trailer ABS Clip | For 1/2" I.D. Hose | Standard Pack 4; Sensor Cable to Hose | 100469F |
| A902702 | Tractor and Trailer ABS Clip | For 3/8" I.D. Hose | Standard Pack 4; Sensor Cable to Hose | 100469E |
| A920802 | Trailer ABS Sensor Block | 1.60" Height | Standard Pack 1; Trailer Axles Replaces A920801 | 102008WN |
| AL920809 | Tractor and Trailer ABS Sensor Wire Retaining Clip - Black | Sensor Cable Size .250" Diameter, fits 3/8" or 1/2" Rubber Air Brake Hose | Standard Pack 10; Haldex Sensor to either 3/8" or 1/2" Hose | 100469H |
| AL920810 | Tractor and Trailer ABS Sensor Wire Retaining Clip - Gray | Sensor Cable Size .180" Diameter, fits 3/8" or 1/2" Rubber Air Brake Hose | Standard Pack 10; WABCO Sensor to either 3/8" or 1/2" Hose | - |
| 200817AL | Sensor Mounting Bracket | - | Standard Pack 1 | 200817AL |
| A027533909 | Sensor Clip - ECU (Blue) | - | Standard Pack 1; 2S/1M and 4S/2M Haldex ECUs | A027533909 |
| A027534009 | Sensor Clip - ECU (Yellow) | - | Standard Pack 1; 2S/1M and 4S/2M Haldex ECUs | A027534009 |

Miscellaneous ABS Components



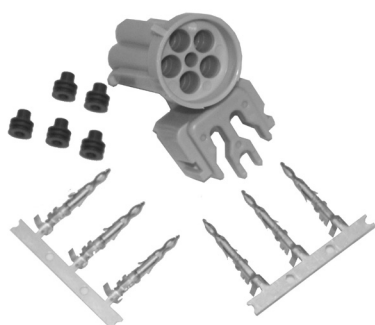
A906960



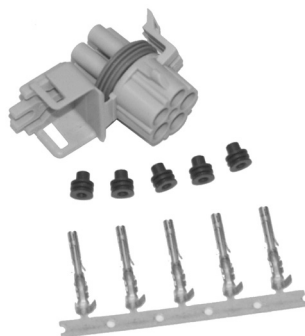
AQ15457



AQ15458



AQ15473



AQ15474



AQ961110

| Service Part No. | Product Description | Application/Notes | OEM Part Number |
|------------------|--|---|-----------------|
| A906960 | ABS Filter | Standard Pack 10; 3/8" Port | 100696AG |
| AQ15457 | MBS2 WNC Wheel-End Upgrade Kit (Weld On) | Exciter Rings, Sensor Blocks, Hardware Items | SN154EG |
| AQ15458 | MBS2 WNC Wheel-End Upgrade Kit (Bolt On) | Exciter Rings, Sensor Brackets, Hardware Items | SN154EH |
| AQ15473 | 5-Way Terminal Kit for Power Cords | Power Cords | SN154GC |
| AQ15474 | 5-Way Terminal Kit for Loom Assemblies | Loom Assemblies | SN154GD |
| AQ15500 | ABS Relay Kit | 12V; PLC Select Plus; Dump Axle Applications | SN2634 |
| AQ961110 | Universal ABS Service Components Kit | Post March 2001, Kit Includes: Power Terminal Kit (1) AQ15474 and (1) AQ15473 Sensor/Clip Kit (1) AL10271915, (2) AL10271914 and (2) AL1027196 Lamp Kit (1) AQ15463 Extension (2) AL919803 Grip (4) A902700 Clip (10) AL920809 | SN2611K |
| SN154GJ | 3/8"Socket Head Pipe Plugs | Standard Pack 2; Pre-applied thread sealant; used to plug ports | SN154GJ |

ABS Converter Cables Meritor/WABCO Style



8946011322K



8946011332K

| Service Part No. | Product Description | Length | Application/Notes | OEM Part Number |
|------------------|-------------------------------------|----------|-------------------------------|-----------------|
| 8946011322K | Meritor/WABCO Style Converter Cable | 6 inches | Bayonet to Screw-In Converter | - |
| 8946011332K | Meritor/WABCO Style Converter Cable | 6 inches | Screw-In to Bayonet Converter | - |

All Makes ABS Components for Haldex, Meritor/WABCO and Bosch Sensor Accessories



AL920809/AI920810



A902700



A902701/A902702



A59512309

| Service Part No. | Product Description | Length | Application/Notes | OEM Part Number |
|------------------|--|---|---|-----------------|
| A59512309 | Tractor and Trailer ABS Sensor Block Retainer | - | Standard Pack 1; Stainless Steel | 059512309 |
| A902700 | Tractor and Trailer ABS Cable Grip | - | Standard Pack 4; Sensor Cable to Lead | 102700C |
| A902701 | Tractor and Trailer ABS Clip | For 1/2" I.D. Hose | Standard Pack 4; Sensor Cable to Hose | 100469F |
| A902702 | Tractor and Trailer ABS Clip | For 3/8" I.D. Hose | Standard Pack 4; Sensor Cable to Hose | 100469E |
| AL920809 | Tractor and Trailer ABS Sensor Wire Retaining Clip - Black | Sensor Cable Size .250" Diameter; fits 3/8" or 1/2" Rubber Air Brake Hose | Standard Pack 10; Haldex Sensor to either 3/8" or 1/2" Hose | 100469H |
| AL920810 | Tractor and Trailer ABS Sensor Wire Retrining Clip - Gray | Sensor Cable Size .180" Diameter; fits 3/8" or 1/2" Rubber Air Brake Hose | Standard Pack 10; WABCO Sensor to either 3/8" or 1/2" Hose | - |

Meritor/WABCO Style Rear Axle Valve Packs

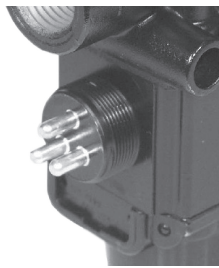


Features:

- Truck/Tractor/Bus Application
- Combines two ABS modulator valves and one service brake relay valve
- Usually attached to a frame cross-member
- Compatible with C, D and E versions of Meritor WABCO Style ECUs
- For a tandem drive axle, both wheels on the same side are typically controlled by the same valve



Bayonet Connector



Screw In Connector

Approximate Weight: 6 lbs.

Notes:

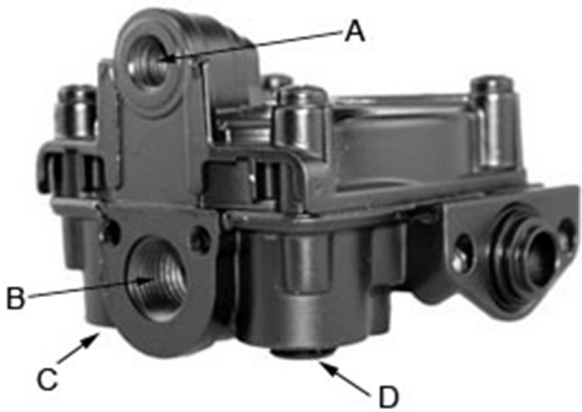
- 1) Use the following converter cables to switch connector styles:
Screw to Bayonet - Part #8946011322K
Bayonet to Screw - Part #8946011332K
- 2) Repair Kit not available.

| Service Part No. | Product Description | Crack Pressure | System Config. | Connector Type | Notes | OEM Part Number | Core Group |
|------------------|---|----------------|----------------|----------------|--|-----------------|------------|
| 4725001000X | Remanufactured Rear Axle Valve Pack 4721950800X (1) Modulator Valve Left 4721950810X (1) Modulator Valve Right 9730110210X (1) Relay Valve 4 PSI | 4 PSI | 4S/4M | Screw-In | 12V 1/2"-14 NPT Modulator Valve Ports | - | AB55 |
| 4725001010X | Remanufactured Rear Axle Valve Pack 4721950800X (1) Modulator Valve Left 4721950810X (1) Modulator Valve Right 9730110220X (1) Relay Valve 5.5 PSI | 5.5 PSI | 4S/4M | Screw-In | 12V 1/2"-14 NPT Modulator Valve Ports | - | AB55 |
| 4725001020X | Remanufactured Rear Axle Valve Pack 4721950820X (1) Modulator Valve Left 4721950830X (1) Modulator Valve Right 9730110210X (1) Relay Valve 4 PSI | 4 PSI | 4S/4M 6S/4M | Screw-In | 12V 1/2"-14 NPT Modulator Valve Ports | - | AB55 |
| 4725001030X | Remanufactured Rear Axle Valve Pack 4721950820X (1) Modulator Valve Left 4721950830X (1) Modulator Valve Right 9730110220X (1) Relay Valve 5.5 PSI | 5.5 PSI | 4S/4M 6S/4M | Screw-In | 12V 1/2"-14 NPT Modulator Valve Ports | - | AB55 |
| 4725001200X | Remanufactured Rear Axle Valve Pack 4721950760X (1) Modulator Valve Left 4721950770X (1) Modulator Valve Right 9730110210X (1) Relay Valve 4 PSI | 4 PSI | 4S/4M | Bayonet | 12V 1/2"-14 NPT Modulator Valve Ports | - | AB55 |
| 4725001210X | Remanufactured Rear Axle Valve Pack 4721950760X (1) Modulator Valve Left 4721950770X (1) Modulator Valve Right 9730110220X (1) Relay Valve 5.5 PSI | 5.5 PSI | 4S/4M | Bayonet | 12V 1/2"-14 NPT Modulator Valve Ports | - | AB55 |

Meritor/WABCO Style Rear Axle Valve Packs

| Service Part No. | Product Description | Crack Pressure | System Config. | Connector Type | Notes | OEM Part Number | Core Group |
|------------------|--|----------------|----------------|----------------|--|-----------------|------------|
| 4725001220X | Remanufactured Rear Axle Valve Pack 4721950780X (1) Modulator Valve Left 4721950790X (1) Modulator Valve Right 9730110210X (1) Relay Valve 4 PSI | 4 PSI | 4S/4M 6S/4M | Bayonet | 12V 1/2"-14 NPT Modulator Valve Ports | - | ABS5 |
| 4725001230X | Remanufactured Rear Axle Valve Pack 4721950780X (1) Modulator Valve Left 4721950790X (1) Modulator Valve Right 9730110220X (1) Relay Valve 5.5 PSI | 5.5 PSI | 4S/4M 6S/4M | Bayonet | 12V 1/2"-14 NPT Modulator Valve Ports | - | ABS5 |
| 4725001240X | Remanufactured Rear Axle Valve Pack 4721950780X (1) Modulator Valve Left 4721950790X (1) Modulator Valve Right 9730110230X (1) Relay Valve 4 PSI | 4 PSI | 6S/6M | Bayonet | 12V 1/2"-14 NPT Modulator Valve Ports | - | ABS5 |
| 4725001250X | Remanufactured Rear Axle Valve Pack 4721950780X (1) Modulator Valve Left 4721950790X (1) Modulator Valve Right 9730110240X (1) Relay Valve 5.5 PSI | 5.5 PSI | 6S/6M | Bayonet | 12V 1/2"-14 NPT Modulator Valve Ports | - | ABS5 |
| 4725002030X | Remanufactured Rear Axle Valve Pack with ATC Valve 4721950820X (1) Modulator Valve Left 4721950830X (1) Modulator Valve Right 9730110260X (1) Relay Valve 5.5 PSI 4721707910X (1) ATC Valve | 5.5 PSI | 4S/4M 6S/4M | Screw-in | 12V 1/2"-14 NPT Modulator Valve Ports | - | ABS5 |
| 4725002220X | Remanufactured Rear Axle Valve Pack with ATC Valve 4721950780X (1) Modulator Valve Left 4721950790X (1) Modulator Valve Right 9730110250X (1) Relay Valve 4 PSI 4721707970X (1) ATC Valve | 4 PSI | 4S/4M 6S/4M | Bayonet | 12V 1/2"-14 NPT Modulator Valve Ports | - | ABS5 |
| 4725002230X | Remanufactured Rear Axle Valve Pack with ATC Valve 4721950780X (1) Modulator Valve Left 4721950790X (1) Modulator Valve Right 9730110260X (1) Relay Valve 5.5 PSI 4721707970X (1) ATC Valve | 5.5 PSI | 4S/4M 6S/4M | Bayonet | 12V 1/2"-14 NPT Modulator Valve Ports | - | ABS5 |
| 4725002240X | Remanufactured Rear Axle Valve Pack with ATC Valve 4721950780X (1) Modulator Valve Left 4721950790X (1) Modulator Valve Right 9730110270X (1) Relay Valve 4 PSI 4721707970X (1) ATC Valve | 4 PSI | 6S/6M | Bayonet | 12V 1/2"-14 NPT Modulator Valve Ports | - | ABS5 |
| 4725002250X | Remanufactured Rear Axle Valve Pack with ATC Valve 4721950780X (1) Modulator Valve Left 4721950790X (1) Modulator Valve Right 9730110280X (1) Relay Valve 5.5 PSI 4721707970X (1) ATC Valve | 5.5 PSI | 6S/6M | Bayonet | 12V 1/2"-14 NPT Modulator Valve Ports | - | ABS5 |

Meritor/WABCO Style Relay Valve For Valve Packs



Features:

- Rear Axle Truck/Tractor/Bus Application

Approximate Weight: 1.8 lbs.

Notes:

- 1) Each individual valve includes:
 - (2) O-Rings
 - (4) Mounting Bolts
 - (1) Grease Pack
- 2) Repair Kit not available.

| Service Part No. | Product Description | Crack Pressure | System Config. | Control (A) | Supply (B) | Delivery (C) | Delivery (D) | OEM Part Number | Core Group |
|------------------|---|----------------|----------------|----------------|----------------|----------------|----------------|-----------------|------------|
| 9730110210X | Remanufactured Service Brake Relay Valve for Valve Pack | 4 PSI | 4S/4M or 6S/4M | 1/4" - 18 NPTF | 1/2" - 14 NPTF | 3/8" - 18 NPTF | NA | - | ABS11 |
| 9730110220X | Remanufactured Service Brake Relay Valve for Valve Pack | 5.5 PSI | 4S/4M or 6S/4M | 1/4" - 18 NPTF | 1/2" - 14 NPTF | 3/8" - 18 NPTF | NA | - | ABS11 |
| 9730110230X | Remanufactured Service Brake Relay Valve for Valve Pack | 4 PSI | 6S/6M | 1/4" - 18 NPTF | 1/2" - 14 NPTF | 3/8" - 18 NPTF | 3/8" - 18 NPTF | - | ABS11 |
| 9730110240X | Remanufactured Service Brake Relay Valve for Valve Pack | 5.5 PSI | 6S/6M | 1/4" - 18 NPTF | 1/2" - 14 NPTF | 3/8" - 18 NPTF | 3/8" - 18 NPTF | - | ABS11 |
| 9730110250X | Remanufactured Service Brake Relay Valve for Valve Pack | 4 PSI | 4S/4M or 6S/4M | non-threaded | non-threaded | 3/8" - 18 NPTF | NA | - | ABS11 |
| 9730110260X | Remanufactured Service Brake Relay Valve for Valve Pack | 5.5 PSI | 4S/4M or 6S/4M | non-threaded | non-threaded | 3/8" - 18 NPTF | NA | - | ABS11 |
| 9730110270X | Remanufactured Service Brake Relay Valve for Valve Pack | 4 PSI | 6S/6M | non-threaded | non-threaded | 3/8" - 18 NPTF | 3/8" - 18 NPTF | - | ABS11 |
| 9730110280X | Remanufactured Service Brake Relay Valve for Valve Pack | 5.5 PSI | 6S/6M | non-threaded | non-threaded | 3/8" - 18 NPTF | 3/8" - 18 NPTF | - | ABS11 |

Competitive (New and Remanufactured) Meritor/WABCO Style Front Axle Valve Packs



Features:

- Truck/Tractor/Bus Application
- Combines two ABS modulator valves and one quick release valve
- Usually attached to a frame cross-member
- Compatible with C, D and E versions of Meritor WABCO Style ECUs

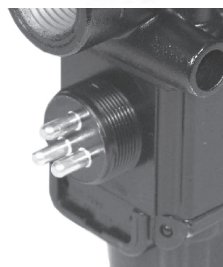
Approximate Weight: 5 lbs.

Notes:

- 1) Use the following converter cables to switch connector styles:
Screw to Bayonet - Part #8946011322K
Bayonet to Screw - Part #8946011332K
- 2) Repair Kit not available.



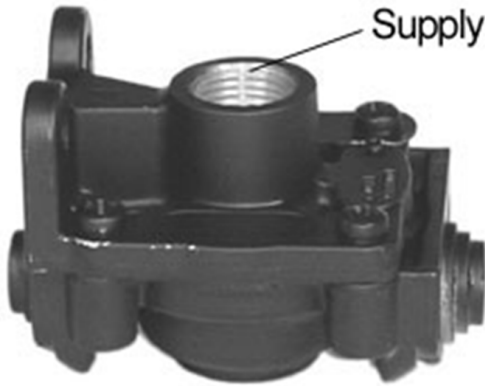
Bayonet Connector



Screw-In Connector

| Service Part No. | Product Description | Crack Pressure | System Config. | Connector Type | Notes | OEM Part Number | Core Group |
|------------------|--|----------------|----------------|----------------|--|-----------------|------------|
| 4725003000X | Remanufactured Front Axle Valve Pack 4721950800X (1) Modulator Valve Left 4721950810X (1) Modulator Valve Right 9735001040X (1) Quick Release Valve 1 PSI | 1 PSI | Various | Screw-In | 12V 1/2"-14 NPT Modulator Valve Ports | - | ABS13 |
| 4725003010X | Remanufactured Front Axle Valve Pack 4721950800X (1) Modulator Valve Left 4721950810X (1) Modulator Valve Right 9735001050X (1) Quick Release Valve 3-4 PSI | 3-4 PSI | Various | Screw-In | 12V 1/2"-14 NPT Modulator Valve Ports | - | ABS13 |
| 4725003020X | Remanufactured Front Axle Valve Pack 4721950800X (1) Modulator Valve Left 4721950810X (1) Modulator Valve Right 9735001060X (1) Quick Release Valve 6-8 PSI | 6-8 PSI | Various | Screw-In | 12V 1/2"-14 NPT Modulator Valve Ports | - | ABS13 |
| 4725003200X | Remanufactured Front Axle Valve Pack 4721950760X (1) Modulator Valve Left 4721950770X (1) Modulator Valve Right 9735001040X (1) Quick Release Valve 1 PSI | 1 PSI | Various | Bayonet | 12V 1/2"-14 NPT Modulator Valve Ports | - | ABS13 |
| 4725003210X | Remanufactured Front Axle Valve Pack 4721950760X (1) Modulator Valve Left 4721950770X (1) Modulator Valve Right 9735001050X (1) Quick Release Valve 3-4 PSI | 3-4 PSI | Various | Bayonet | 12V 1/2"-14 NPT Modulator Valve Ports | - | ABS13 |
| 4725003220X | Remanufactured Front Axle Valve Pack 4721950760X (1) Modulator Valve Left 4721950770X (1) Modulator Valve Right 9735001060X (1) Quick Release Valve 6-8 PSI | 6-8 PSI | Various | Bayonet | 12V 1/2"-14 NPT Modulator Valve Ports | - | ABS13 |

Meritor/WABCO Style Quick Release Valve For Valve Pack



Features:

- Rear Axle Truck/Tractor/Bus Application

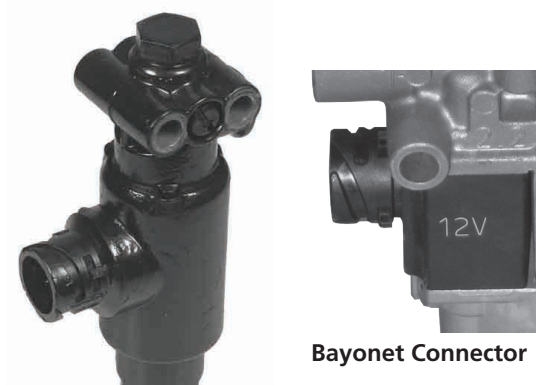
Approximate Weight: 1 lb.

Notes:

- 1) Each individual valve includes:
 - (2) O-Rings
 - (4) Mounting Bolts
 - (1) Grease Pack
- 2) Repair Kit not available.

| Service Part No. | Product Description | Crack Pressure | System Config. | Supply | Notes | OEM Part Number | Core Group |
|------------------|---|----------------|----------------|----------------|-------|-----------------|------------|
| 9735001040X | Remanufactured Quick Release Valve for Valve Pack | 1 PSI | All Steer Axle | 1/2" - 14 NPTF | - | - | ABS12 |
| 9735001050X | Remanufactured Quick Release Valve for Valve Pack | 3-4 PSI | All Steer Axle | 1/2" - 14 NPTF | - | - | ABS12 |
| 9735001060X | Remanufactured Quick Release Valve for Valve Pack | 6-8 PSI | All Steer Axle | 1/2" - 14 NPTF | - | - | ABS12 |

Meritor/WABCO Style ATC Valve



Features:

- Rear Axle Valve Packs
- Compatible with D & E versions of Meritor WABCO Style ECUs

Approximate Weight: 1.3 lbs.

Notes:

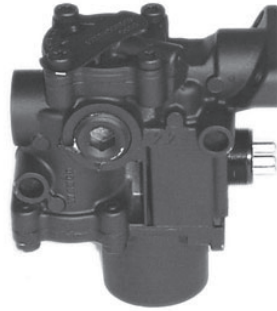
- 1) Repair Kit not available.
- 2) Use the following converter cables to switch connector styles:
 - Screw to Bayonet - Part #8946011322K
 - Bayonet to Screw - Part #8946011332K

| Service Part No. | Product Description | System Config. | Connector Type | Voltage | Notes | OEM Part Number | Core Group |
|------------------|---|----------------|----------------|---------|-------|-----------------|------------|
| 4721707970X | Remanufactured Automatic Traction Control Valve | - | Bayonet | 12V | - | - | ABS15 |

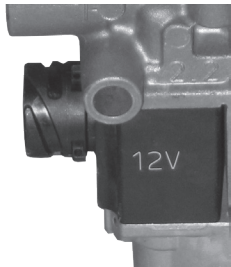
Meritor/WABCO Style Modulator Valves



In-Line Style



Left



Bayonet Connector



Screw-In Connector

Features:

- Truck/Tractor Application
- Regulates air pressure to each ABS controlled brake
- Compatible with all versions of Meritor WABCO Style ECUs

Approximate Weight: 1.6 lbs.

Notes:

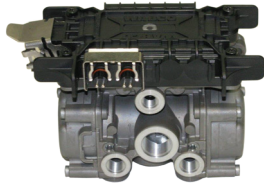
- 1) Each individual valve includes:
 - (1) O-Ring
 - (2) Mounting Bolts
 - (1) Grease Pack
- 2) Repair Kit not available.
- 3) Use the following converter cables to switch connector styles:
 - Screw to Bayonet - Part #8946011322K
 - Bayonet to Screw - Part #8946011332K

| Service Part No. | Product Description | System Config. | Connector Type | Voltage | Ports | Notes | OEM Part Number | Core Group |
|------------------|--|-------------------------------|----------------|---------|---------------|-------|-----------------|------------|
| 4721950050X | Remanufactured In-Line Style Modulator Valve | One Delivery 180° From Supply | Screw-In | 12V | 1/2" - 14 NPT | - | - | ABS1 |
| 4721950520X | Remanufactured In-Line Style Modulator Valve | One Delivery 180° From Supply | Bayonet | 12V | 1/2" - 14 NPT | - | - | ABS1 |
| 4721950760X | Remanufactured Modulator Valve - Left | 4S/4M | Bayonet | 12V | 1/2" - 14 NPT | - | - | ABS7 |
| 4721950770X | Remanufactured Modulator Valve - Right | 4S/4M | Bayonet | 12V | 1/2" - 14 NPT | - | - | ABS7 |
| 4721950780X | Remanufactured Modulator Valve - Left | 4S/4M, 6S/4M or 6S/6M | Bayonet | 12 | 1/2" - 14 NPT | - | - | ABS7 |
| 4721950790X | Remanufactured Modulator Valve - Right | 4S/4M, 6S/4M or 6S/6M | Bayonet | 12V | 1/2" - 14 NPT | - | - | ABS7 |
| 4721950800X | Remanufactured Modulator Valve - Left | 4S/4M | Screw-In | 12V | 1/2" - 14 NPT | - | - | ABS7 |
| 4721950810X | Remanufactured Modulator Valve - Right | 4S/4M | Screw-In | 12V | 1/2" - 14 NPT | - | - | ABS7 |
| 4721950820X | Remanufactured Modulator Valve - Left | 4S/4M, 6S/4M or 6S/6M | Screw-In | 12V | 1/2" - 14 NPT | - | - | ABS7 |
| 4721950830X | Remanufactured Modulator Valve - Right | 4S/4M, 6S/4M or 6S/6M | Screw-In | 12 | 1/2" - 14 NPT | - | - | ABS7 |

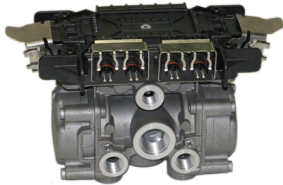
Meritor/WABCO Style Trailer ABS Valve



4005001010X



4005001020X



4005001030X

Features:

- ABS Valve and ECU included
- For all trailers manufactured after March 2001
- ABS Valve and ECU included

Approximate Weight: See Chart

Voltage: 12V

Notes:

- 1) Repair Kit not available.

| Service Part No. | Product Description | Control Port | Delivery Port | Supply Port | Exhaust Port | Approximate Weight | Core Group |
|------------------|---|--------------|---------------|-------------|--------------|--------------------|------------|
| 4005001010KX | Remanufactured WABCO 2S/1M Trailer ABS Assembly; Includes 89646062752K Cable | 3/8" - 18 | 3/8" - 18 | 3/4" - 14 | Not Threaded | 5.4 lbs. | ABS20 |
| 4005001010X | Remanufactured WABCO 2S/1M Trailer ABS Assembly | 3/8" - 18 | 3/8" - 18 | 3/4" - 14 | Not Threaded | 5.4 lbs. | ABS20 |
| 4005001020X | Remanufactured WABCO 2S/2M Trailer ABS Assembly; Dual Modulator Valve | 1/4" - 18 | 3/8" - 18 | 3/4" - 14 | Not Threaded | 5.5 lbs. | ABS21 |
| 4005001030X | Remanufactured WABCO 2S/2M-4S/2M-4S/3M Trailer ABS Assembly; Dual Modulator Valve; Multi-Configuration | 1/4" - 18 | 3/8" - 18 | 3/4" - 14 | Not Threaded | 5.0 lbs. | ABS21 |
| 4005001040X | Remanufactured WABCO 2S/1M Trailer ABS Assembly | 3/8" - 18 | 3/8" - 18 | 3/4" - 14 | Not Threaded | 5.5 lbs. | ABS20 |
| 4008506020X | Remanufactured WABCO 2M Trailer ABS Valve Only | 1/4" - 18 | 3/8" - 18 | 3/4" - 14 | Not Threaded | 5.2 lbs. | ABS23 |
| 4721950330X | Remanufactured WABCO 1M Trailer ABS Valve Only | 1/4" - 18 | 3/8" - 18 | 3/4" - 14 | Not Threaded | 5.2 lbs. | ABS22 |
| 8946062752K | WABCO Trailer ABS Modulator Valve Cable; Connects 1M ECU to Relay Valve; .5 Meter Length; Right Angle Valve Connector 1.65" | - | - | - | - | 1.6 lbs. | - |

Service Valves and ECUs for OEM Assemblies

Identify the replacement ABS valve only or ECU only, for OEM Assemblies using the chart below. Begin with the OE number found on the metal tag on the valve. Repairing just the valve or ECU will decrease both time and cost of repair. If your customer desires a complete assembly, please contact Haldex for availability.

| OEM Valve and ECU Assembly Part No. | Valve Service Part No. | ECU Service Part No. |
|-------------------------------------|------------------------|----------------------|
| 400180 | AL364040 | AQ960502 |
| 400180A | AL364040 | AQ960502 |
| 400180AA | AL364041 | AQ960502 |
| 400180AB | AL364041 | AQ960502 |
| 400180AC | AL364041 | AQ960502 |
| 400180AD | AL364046 | AQ960502 |
| 400180B | AL364040 | AQ960502 |
| 400180BA | AL364040 | AQ960502 |
| 400180BB | AL364040 | AQ960502 |
| 400180BC | AL364045 | AQ960502 |
| 400180BD | AL364040 | AQ960502 |
| 400180BE | AL364045 | AQ960502 |
| 400180CA | AL364041 | AQ960502 |
| 400180CB | AL364041 | AQ960502 |
| 400180CC | AL364046 | AQ960502 |
| 400180CD | AL364046 | AQ960502 |
| 400180CE | AL364046 | AQ960502 |
| 400211 | AL364040 | AQ960502 |
| 400211AA | AL364045 | AQ960502 |
| 400211BA | AL364041 | AQ964110 |
| 400211BB | AL364041 | AQ960502 |
| 400211BC | AL364041 | AQ964110 |
| 400211BD | AL364041 | AQ964110 |
| 400211CA | AL364046 | AQ964110 |
| 400211DA | AL364040 | AQ964111 |
| 400211DB | AL364040 | AQ964111 |
| 400211DC | AL364040 | AQ964111 |
| 400211EA | AL364045 | AQ964111 |
| 400211EB | AL364045 | AQ964111 |
| 400211FA | AL364041 | AQ964111 |
| 400211FB | AL364041 | AQ964111 |
| 400211FC | AL364041 | AQ964111 |

| OEM Valve and ECU Assembly Part No. | Valve Service Part No. | ECU Service Part No. |
|-------------------------------------|------------------------|----------------------|
| 40211GA | AL364046 | AQ964111 |
| 400211GB | AL364046 | AQ964111 |
| 830005001 | AL833000 | AL919337 |
| N4306AB | AL430614 | AQ960502 |
| N4306AC | AL430614 | AQ960502 |
| N4306AE | AL430614 | AQ960502 |
| N4306AH | AL430614 | AQ960502 |
| N4306AJ | AL430614 | AQ960502 |
| N4306AK | AL430614 | AQ960502 |
| N4306AL | AL430614 | AQ960502 |
| N4306AM | AL430614 | AQ960502 |
| N4306BC | AL430623 | N/A |
| N4306BD | AL430624 | N/A |
| N4306CA | AL430614 | N/A |
| N4306CB | AL430614 | N/A |
| N4306CC | AL430614 | N/A |
| N4306CD | AL430614 | N/A |
| N4306DB | AL430644 | N/A |
| N4306DC | AL430644 | N/A |
| N4306DD | AL430644 | N/A |
| N4306FA | AL430664 | N/A |
| N4306FB | AL430664 | N/A |
| N4306FC | AL430664 | N/A |
| N4306FD | AL430664 | N/A |
| N4306HA | AL430620 | N/A |
| N4307BA | AL430624 | AQ964110 |
| N4307BB | AL430624 | AQ964110 |
| N4307BC | AL430624 | AQ964110 |
| N4307BD | AL430624 | AQ964110 |
| N4307CA | AL430614 | AQ964111 |
| N4307CB | AL430614 | AQ964111 |
| N4307CC | AL430614 | AQ964111 |

Notes:

- 1) Mounting brackets may need to be transferred from existing valve or ECU.
- 2) OEM assembly part number is embossed on metal tag.
- 3) Frame or reservoir mount modulator valves may be used in both applications by repositioning cover.

Service Valves and ECUs for OEM Assemblies

Identify the replacement ABS valve only or ECU only, for OEM Assemblies using the chart below. Begin with the OE number found on the metal tag on the valve. Repairing just the valve or ECU will decrease both time and cost of repair. If your customer desires a complete assembly, please contact Haldex for availability.

| OEM Valve and ECU Assembly Part No. | Valve Service Part No. | ECU Service Part No. |
|--|---------------------------|-------------------------|
| N4307CF | AL430614 | AQ964111 |
| N4307CG | AL430614 | AQ964110 |
| N4307DA | AL430644 | AQ960502 |
| N4307DB | AL430644 | AQ960502 |
| N4307DC | AL430644 | AQ960502 |
| N4307FA | AL430664 | AQ960502 |
| N4307FB | AL430664 | AQ960502 |
| N4307FC | AL430664 | AQ960502 |
| N4307FD | AL430664 | AQ960502 |
| N4307HA | AL430620 | N/A |
| N4308A | AL430644 | AQ964111 |
| N4308AA | AL430644 | AQ964111 |
| N4308AB | AL430614 | AQ964111 |
| N4308AC | AL430614 | AQ964111 |
| N4308AD | AL430644 | AQ964111 |
| N4308AE | AL430664 | AQ964111 |
| N4308AF | AL430624 | AQ964111 |
| N4308AG | AL430624 | AQ964111 |
| N4308AH | AL430664 | AQ964111 |
| N4308B | AL430614 | AQ964111 |
| N4308C | AL430614 | AQ964111 |
| N4308D | AL430644 | AQ964111 |
| N4308E | AL430644 | AQ964111 |
| N4308F | AL430614 | AQ964111 |
| N4308G | AL430614 | AQ964111 |
| N4308H | AL430644 | AQ964111 |
| N4308J | AL430664 | AQ964111 |
| N4308K | AL430624 | AQ964111 |
| N4308L | AL430624 | AQ960502 |
| N4308M | AL430664 | AQ960502 |
| N4308N | AL430664 | AQ964110 |
| N4308P | AL430624 | AQ960502 |
| N4308R | AL430624 | AQ964110 |

| OEM Valve and ECU Assembly Part No. | Valve Service Part No. | ECU Service Part No. |
|--|---------------------------|-------------------------|
| N4308S | AL430664 | AQ964110 |
| N4308T | AL430644 | AQ964110 |
| N4308W | AL430644 | AQ964111 |
| N4308Y | AL430664 | AQ964111 |
| N4308Z | AL430664 | AQ964111 |
| N9000A | AL364040 | AQ960502 |
| N9000AA | AL364041 | AQ960502 |
| N9000AB | AL364046 | AQ960502 |
| N9000AC | AL364041 | AQ964110 |
| N9000AD | AL364046 | AQ964110 |
| N9000AE | AL364041 | AQ964110 |
| N9000B | AL364045 | AQ960502 |
| N9000BA | AL430624 | AQ964110 |
| N9000BB | AL430624 | AQ964110 |
| N9000BC | AL430624 | AQ960502 |
| N9000BD | AL430624 | AQ960502 |
| N9000BE | AL430664 | AQ960502 |
| N9000BF | AL430664 | AQ960502 |
| N9000BG | AL430624 | AQ964110 |
| N9000BH | AL430624 | AQ964110 |
| N9000C | AL364040 | AQ964110 |
| N9000CA | AL430614 | AQ964110 |
| N9000CB | AL430614 | AQ964110 |
| N9000CC | AL430614 | AQ960502 |
| N9000CD | AL430614 | AQ960502 |
| N9000CE | AL430644 | AQ960502 |
| N9000CF | AL430644 | AQ960502 |
| N9000CG | AL430614 | AQ964110 |
| N9000CH | AL430614 | AQ964110 |
| N9000D | AL364045 | AQ964110 |
| N9000DA | AL430614 | AQ964110 |
| N9000DB | AL430614 | AQ964110 |
| N9000DC | AL430644 | AQ964110 |

Notes:

- 1) Mounting brackets may need to be transferred from existing valve or ECU.
- 2) OEM assembly part number is embossed on metal tag.
- 3) Frame or reservoir mount modulator valves may be used in both applications by repositioning cover.

Service Valves and ECUs for OEM Assemblies

Identify the replacement ABS valve only or ECU only, for OEM Assemblies using the chart below. Begin with the OE number found on the metal tag on the valve. Repairing just the valve or ECU will decrease both time and cost of repair. If your customer desires a complete assembly, please contact Haldex for availability.

| OEM Valve and ECU Assembly Part No. | Valve Service Part No. | ECU Service Part No. |
|-------------------------------------|------------------------|----------------------|
| N9000DD | AL430644 | AQ964110 |
| N9000DE | AL430644 | AQ964110 |
| N9001A | AL364040 | AL919339 |
| N9001AA | AL364041 | AL919338 |
| N9001AB | AL364046 | AL919338 |
| N9001AC | AL364041 | AL919338 |
| N9001AD | AL364041 | AL919339 |
| N90001AE | AL364046 | AL919339 |
| N9001B | AL364045 | AL919339 |
| N9001BA | AL430624 | AL919338 |
| N9001BB | AL430624 | AL919338 |
| N9001BC | AL430624 | AL919338 |
| N9001BE | AL430664 | AL919339 |
| N9001BF | AL430664 | AL919339 |
| N9001BG | AL430624 | AL919340 |
| N9001BH | AL430624 | AL919340 |
| N9001BJ | AL430624 | AL919339 |
| N9001CA | AL430614 | AL919338 |
| N9001CB | AL430614 | AL919338 |
| N9001CC | AL430614 | AL919338 |
| N9001CE | AL430644 | AL919339 |
| N9001CF | AL430644 | AL919339 |
| N9001CG | AL430614 | AL919339 |
| N9001CH | AL430614 | AL919338 |
| N9001DA | AL430614 | AL919338 |
| N9001DB | AL430614 | AL919338 |
| N9001DC | AL430624 | AL919338 |
| N9001DD | AL430624 | AL919338 |
| N9001DE | AL430614 | AL919338 |
| N9001DF | AL430614 | AL919338 |
| N9001DG | AL430644 | AL919339 |
| N9001DH | AL430644 | AL919339 |
| N9001DJ | AL430664 | AL919339 |

| OEM Valve and ECU Assembly Part No. | Valve Service Part No. | ECU Service Part No. |
|-------------------------------------|------------------------|----------------------|
| N9001JA | AL430666 | AL919338 |
| N9001JB | AL430666 | AL919338 |
| N9001JC | AL430666 | AL919338 |
| N9001JD | AL430670 | AL929339 |
| N9001JE | AL430666 | AL919339 |
| N9001KA | AL430668 | AL919338 |
| N9001KB | AL430668 | AL919338 |
| N9001KC | AL430668 | AL919339 |
| N9001KD | AL430668 | AL919338 |
| N9001KE | AL430672 | AL919339 |
| N9001ZA | AL364046 | AL919338 |
| N9002A | AL364040 | AL919342 |
| N9002AA | AL364041 | AL929342 |
| N9002AB | AL364046 | AL919342 |
| N9002AC | AL364046 | AL919342 |
| N9002AD | AL364046 | AL919342 |
| N9002AE | AL364045 | AL919342 |
| N9002B | AL364040 | AL919342 |
| N9002BA | AL430624 | AL919342 |
| N9002BB | AL430624 | AL919342 |
| N9002BC | AL430624 | AL919342 |
| N9002BE | AL430664 | AL919342 |
| N9002CA | AL430614 | AL919342 |
| N9002CB | AL430614 | AL919342 |
| N9002CC | AL430614 | AL919342 |
| N9002CE | AL430644 | AL919342 |
| N9002CF | AL430644 | AL919342 |
| N9002DA | AL430644 | AL919342 |
| N9002JA | AL430670 | AL919342 |
| N9002JB | AL430670 | AL919342 |
| N9002JC | AL430666 | AL919342 |
| N9002JD | AL430666 | AL919342 |
| N9002KA | AL430672 | AL919342 |

Notes:

- 1) Mounting brackets may need to be transferred from existing valve or ECU.
- 2) OEM assembly part number is embossed on metal tag.
- 3) Frame or reservoir mount modulator valves may be used in both applications by repositioning cover.

Service Valves and ECU's for OEM Assemblies

Identify the replacement ABS valve only or ECU only, for OEM Assemblies using the chart below. Begin with the OE number found on the metal tag on the valve. Repairing just the valve or ECU will decrease both time and cost of repair. If your customer desires a complete assembly, please contact Haldex for availability.

| OEM Valve and ECU Assembly Part No. | Valve Service Part No. | ECU Service Part No. |
|--|---------------------------|-------------------------|
| N9002KB | AL430672 | AL919342 |
| N9002KC | AL430668 | AL919342 |
| N9002KD | AL430668 | AL919342 |
| N9002KE | AL430668 | AL919342 |
| N9003BA | AL430624 | AL919336 |
| N9003BB | AL430624 | AL919336 |
| N9003BC | AL430624 | AL919336 |
| N9003BE | AL430664 | AL919336 |
| N9003BF | AL430664 | AL919336 |
| N9003CA | AL430614 | AL919336 |
| N9003CB | AL430614 | AL919336 |
| N9003CC | AL430614 | AL919336 |
| N9003CE | AL430644 | AL919336 |
| N9003CF | AL430644 | AL919336 |
| N9003JA | AL430670 | AL919336 |
| N9003JB | AL430670 | AL919336 |
| N9003JC | AL430666 | AL919336 |
| N9003JD | AL430666 | AL919336 |
| N9003JE | AL430666 | AL919336 |
| N9003KA | AL430672 | AL919336 |
| N9003KB | AL430672 | AL919336 |
| N9003KC | AL430668 | AL919336 |
| N9003KD | AL430668 | AL919336 |
| N9003KE | AL430668 | AL919344 |
| N9010A | AL364040 | AQ964111 |
| N9010AA | AL364041 | AQ964111 |
| N9010AB | AL364046 | AQ964111 |
| N9010AC | AL364041 | AQ964111 |
| N9010AD | AL364046 | AQ964111 |
| N9010AE | AL364040 | AQ964111 |
| N9010B | AL364045 | AQ964111 |
| N9010BA | AL430624 | AQ964111 |

| OEM Valve and ECU Assembly Part No. | Valve Service Part No. | ECU Service Part No. |
|--|---------------------------|-------------------------|
| N9010BB | AL430624 | AQ964111 |
| N9010BE | AL430664 | AQ964111 |
| N9010BF | AL430664 | AQ964111 |
| N9010BG | AL430624 | AQ964111 |
| N9010C | AL364040 | AQ960502 |
| N9010CA | AL430614 | AQ960502 |
| N9010CB | AL430614 | AQ960502 |
| N9010CE | AL430644 | AQ964111 |
| N9010CF | AL430644 | AQ964111 |
| N9010CG | AL430614 | AQ964111 |
| N9010D | AL364045 | AQ964111 |
| SN2900HA | AL430624 | AL919340 |
| SN2900HB | AL430624 | AL919340 |
| SN2900HC | AL430664 | AL919341 |
| SN2900HD | AL430664 | AL919341 |
| | | |
| | | |
| | | |
| | | |
| | | |
| | | |
| | | |
| | | |
| | | |
| | | |
| | | |
| | | |
| | | |
| | | |
| | | |
| | | |

- Notes:**
- 1) Mounting brackets may need to be transferred from existing valve or ECU.
 - 2) OEM assembly part number is embossed on metal tag.
 - 3) Frame or reservoir mount modulator valves may be used in both applications by repositioning cover.

inside back cover blank



Haldex develops and provides reliable and innovative solutions with focus on brake and air suspension products to the global commercial vehicle industry.

Listed on the Stockholm Stock Exchange, Haldex has annual sales of approximately 3.9 billion SEK and employs about 2,200 people.

To learn more, contact your Haldex sales professional.

United States 816-891-2470
Canada 519-621-6722
Mexico 52-81-81569500

For additional contact information
or to learn more about Haldex,
please visit Haldex.com

L20243
US Rev. 3/20 WEB ONLY