

# The New A-Class

Ready for a new generation.



Mercedes-Benz





Ready for a new  
**generation.**

A perfect performance when stationary. A truly lasting impression as it accelerates away. Setting its own standards as of now. Surging ahead where others fall behind. The new A-Class.

What's the secret to striking the right chord?  
Making sure it's perfectly in tune. What's  
better than being inspired? Being inspirational.  
Finding your own way is no easy task – but  
it can be incredible fun. With the new A-Class.  
Sportier and feistier looking than ever. Ready for  
new colours, new forms, new ideas?

# The zeitgeist? Overtaken ages ago.



The epitome of  
a new beginning.



\*Please read the disclaimer.



\*Please read the disclaimer.



One switch. Four personalities. Comfort, Sport, Eco or Individual – everything's possible. In next to no time with the DYNAMIC SELECT switch. One click is all it takes to find driving dynamics to suit your mood. Or the road. Or the weather. Come what may, the new A-Class is already here.

# Click. Kick.



Eye contact plays a big part in the new A-Class, too. And it's hard to look away. From its confident aura and its style – the spirit of a new generation. Follow it. Give your dreams a free rein.





Object of **desire.**



And fulfilment.



# Leaves its mark

on your eyes as well as your mind.

A sea of expressionistic Elbaite Green. So compellingly irresistible that it takes even the air's breath away. The A-Class has the best drag coefficient ( $c_d$  value) in its segment. Every line and every surface has been aerodynamically optimised. It doesn't just look captivatingly dynamic, it also reduces fuel consumption and driving noise.



# Dock and drive.

Life without a smartphone? Unimaginable. The new A-Class is a perfect base for your data. Numerous smartphone functions – including music and messages – can be controlled through the car. It looks like exciting times are ahead.

\*Please read the disclaimer.





## What makes a car a Mercedes?

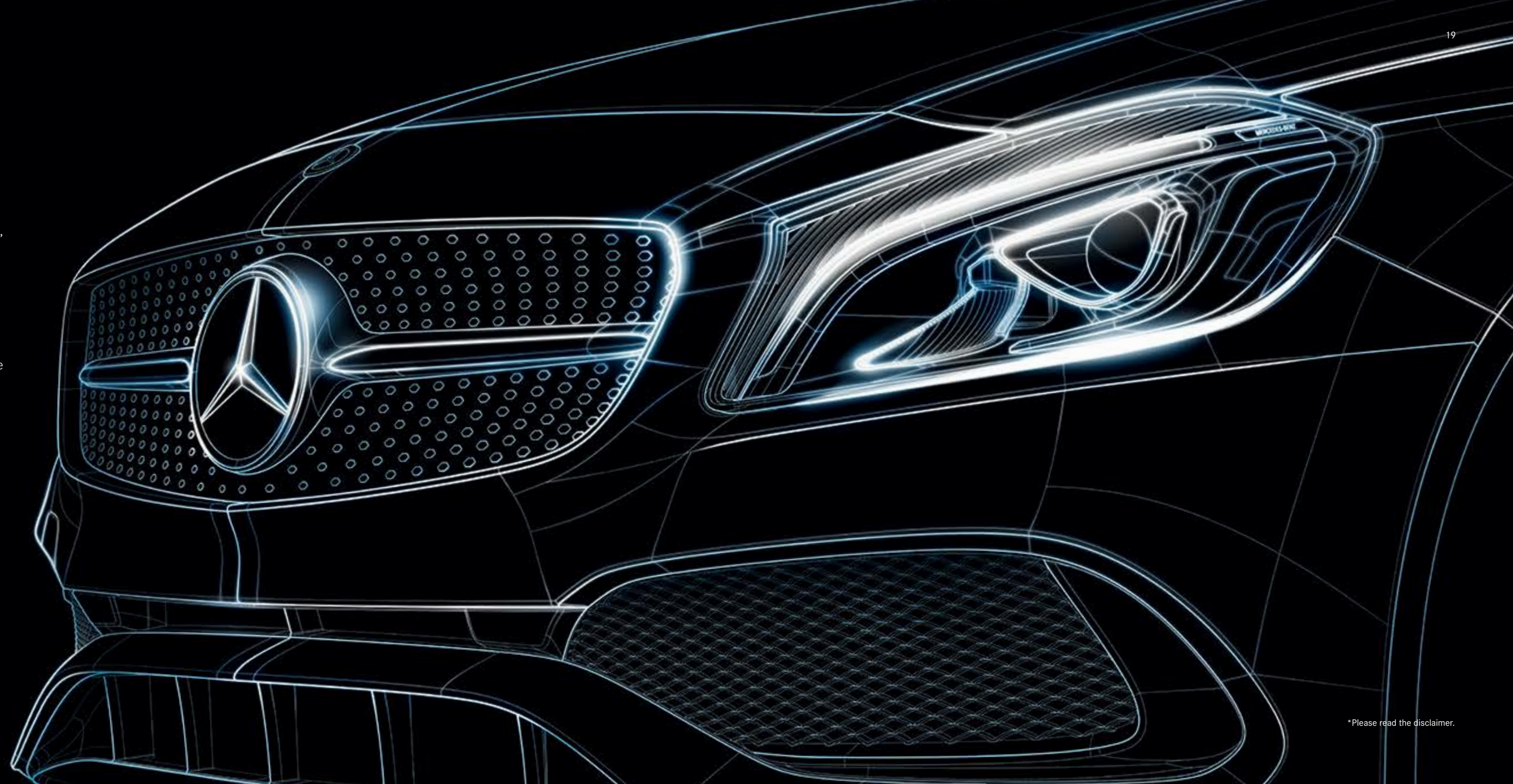
Deep-rooted traditions: in our case, it is innovative traditions that run deep. We have continually gone down previously uncharted avenues. Milestone by milestone. These ventures spawned the first vehicle with a crumple zone, the first ABS, the first diesel passenger car. The first car. But rather than dwelling on the past, let us look to the future.

**Mercedes-Benz Intelligent Drive** – on the road to accident-free driving. We develop intelligent assistance systems which actively support the driver and noticeably relieve their workload. They monitor and analyse the vehicle's surroundings and handling characteristics – and warn the driver if they identify any critical situations. When necessary, some of the systems are able to intervene to take corrective action. Potential dangers are identified earlier than ever – and ever more frequently avoided as a result. Discover the fascinating world of Mercedes-Benz Intelligent Drive at [www.mercedes-benz-intelligent-drive.com](http://www.mercedes-benz-intelligent-drive.com)

**BlueEFFICIENCY** – our vision of emission-free driving. Sustainability is a big word to which we lend real meaning in all that we do, down to the smallest details. From minimising the environmental impact of our production operations to alternative drive configurations.

**4MATIC** – driven by new challenges, the vision of optimum traction led the Mercedes-Benz engineers to the International Motor Show in Frankfurt. That is where, in 1985, they unveiled 4MATIC, an innovative traction system working with state-of-the-art microelectronics and hydraulics. Just two years later it entered series production in the E-Class. It has continued its triumphal advance ever since in virtually all model series. And on every terrain. 75 models are now out on the road with 4MATIC and it is tailor-made for each class. Comfortable and efficiently configured for the compact class, right through to extremely sporty for the Mercedes-AMG performance models. For more safety and an intensive driving experience in every single moment.

As you can see, we have major goals in our sights. And what could be better than seeing these aims achieved whilst on a long drive in a Mercedes?



# The reassuring feeling of driving a Mercedes-Benz

We are the first automotive manufacturer worldwide to have developed an integral safety concept, aimed at avoiding accidents, ensuring ideal responses to dangers and mitigating the consequences of accidents. For the occupants of a Mercedes and for all other road users, too.

## Safe driving

**ATTENTION ASSIST** can detect typical signs of drowsiness based on steering behaviour, specially on long journeys and when driving at night, and give the driver plenty of warning if microsleap is imminent.

The **ADAPTIVE BRAKE** control system improves braking performance through intelligent intervention: in wet conditions, the brake discs are kept dry. The brake pads are applied automatically when the driver's foot is removed abruptly from the accelerator pedal. And on uphill slopes, the system is able to prevent the vehicle from rolling backwards.

## Anti-lock Braking System (ABS)

The rotational speed of each wheel is constantly monitored by rpm sensors. The Anti-lock Braking System intervenes if the rotational speed of a wheel greatly decreases during braking, which indicates that locking is imminent. Solenoid valves first block the brake line, rerouting some of the brake fluid to lower the brake pressure. Afterwards the re-routed brake fluid is fed back to the line between the brake cylinder and the solenoid valve, normalising the brake pressure. This process is repeated several times per second, which leads to the brake pedal vibration typical of anti-lock braking systems.

## Electronic Stability Program (ESP®)

In dynamically critical driving situations, the Electronic Stability Program (ESP®) can counter any tendency to skid. By applying specific braking action at individual wheels, ESP® reduces any tendency to oversteer or understeer. If required the engine power is also adjusted to suit.

## In the event of danger: Acceleration Skid Control (ASR)

Moving off and accelerating on snow, wet road surfaces or gravel – in these situations acceleration skid control (ASR) prevents individual wheels from spinning, so as to prevent the vehicle from breaking away sideways.

## In an accident

An extensive protection system can substantially reduce the risk of injury. The car occupants, meanwhile, benefit from a high level of accident protection thanks to six airbags.

## After an accident

Every Mercedes-Benz is highly trained in first aid. If the worst comes to the worst, the engine can be stopped automatically, the hazard warning lights and emergency interior lighting can be activated, and the central locking can be unlocked.

# Diesel engine

**More economical, cleaner, more powerful: the A-Class also signals the launch of the current Mercedes-Benz diesel technology. The engine is powerful and quiet. And they impress with their optimised emission and fuel-consumption figures.**

**4-cylinder in-line engine.** The 4-cylinder diesel engine display hallmark Mercedes qualities: they boast a hefty torque and an immediate response, even in the lower engine speed range. At the same time the diesel engine is modest when it comes to fuel consumption, they are low, more economical, cleaner, more powerful. The A-Class also signals the launch of the current Mercedes-Benz diesel technology. The engines are powerful and quiet. And they impress with their optimised emission and fuel-consumption figures on emissions, impress with their significantly improved quiet-running characteristics and with their reduced vibrations. The fourth-generation common-rail diesel technology has an injection pressure that has been increased to 1800 bar, optimised combustion chambers and precise solenoid valve injectors. Improved ignition pressure and a turbocharger with a variable nozzle turbine ensure a high torque in every engine speed range.

Intelligently controlled ancillaries contribute towards increasing the efficiency. A 200 d has an ECO start/stop function which ensures that the engine is temporarily switched off when the vehicle is at a standstill.

It goes without saying that the diesel engine meets the requirements of the Bharat Stage IV emission class.

**Note:** Not conducive for driving in waterlogged roads with still water depth more than 25 cm.



The 4-cylinder diesel engine in the A 200 d combines pulling power with humble consumption and low emissions

# Petrol engine

The new petrol engine is developed with the aim of reducing fuel consumption and emissions without compromising on output and ride comfort.

**4-cylinder in-line engine.** The newly developed 4-cylinder power plant with a displacement of 1.6 litres, direct petrol injection, variable valve timing and a turbocharger offer excellent figures when it comes to both torque and power, plus exemplary quiet-running characteristics, not to mention appropriately low fuel consumption and emissions.

The high-pressure direct injection via precise piezo injectors and an enhanced combustion process facilitate virtually total combustion and thus higher efficiency, which means that the fuel can be used more efficiently. The variable valve control results in an optimum cylinder charge level and therefore consumption benefits, which also come courtesy of the lower weight, less internal friction plus ancillaries controlled as required. And last but not the least, the standard-specification ECO start/stop function raises the efficiency of the engine. The new petrol engine is developed with the aim of reducing fuel consumption and emissions without compromising on output and ride comfort.

The A 180 comes with 1595 cc and 90 kW (122 hp) plus a maximum torque of 200 Nm.

**Note:** Not conducive for driving in waterlogged roads with still water depth more than 25 cm.



The newly developed 4-cylinder A 180 petrol engine boasts direct injection via piezo injectors and a turbocharger

## DYNAMIC SELECT. Emotions on demand.

**Straight from the luxury class to the new A-Class: DYNAMIC SELECT.** A small button with an astonishingly big effect. You can change between the pre-configured driving modes – “Comfort”, “Sport”, “Eco” and “Individual” – as and when you wish. Doing so alters the settings of the steering, the drive system and – if the new adaptive damping is specified – also the suspension. “Individual” mode lets you choose your own individual settings. DYNAMIC SELECT is either standard or optional, depending on model and equipment.





\*Please read the disclaimer.



# Confidently Stylish

The design and equipment emphasises the individual vehicle character – with 5-twin-spoke light-alloy wheels, sports seats with specific seat upholstery layout, a black diamond radiator grille with one louvre in the vehicle colour and chrome insert plus a chrome-plated trim strip on the front bumper.

## EXTERIOR HIGHLIGHTS

40.6 cm (16-inch) 5-twin-spoke light-alloy wheels painted in black and with a high-shine finish, with 205/55 R 16 on 6.5 J x 16 ET49

Diamond radiator grille in high-gloss black, louvre painted in vehicle colour with chrome insert

Beltline trim strip in chrome

Chrome-plated trim strip in the front bumper

Panoramic sliding sunroof

LED High Performance Headlamps

## INTERIOR HIGHLIGHTS

Sports seats upholstered in ARTICO man-made leather/ Messancy fabric with highlights in green or red and contrasting topstitching

Seat Comfort package, including adjustable seat length

Honeycomb-look trim

Air outlets with surround and cruciform nozzle in silver chrome

High-gloss black light switch with ring in silver chrome

Cover on stowage compartment in center console

Multifunction holder in the center console

3-spoke multifunction steering wheel with 12 control buttons

Reversing camera

Rear center armrest

Audio 20 CD including preinstallation for Garmin® MAP PILOT



# Standard Equipment

There are countless possibilities for making the New A-Class your own. From small details that add special touches to comfort features which until recently were still the reserve of the luxury segment.



Reversing Camera



Eco Start/Stop

## Standard Equipment



Panoramic Sliding Sunroof



LED High Performance headlamps

# Paintwork

---

**PAINT**

---

Cirrus White

Jupiter Red

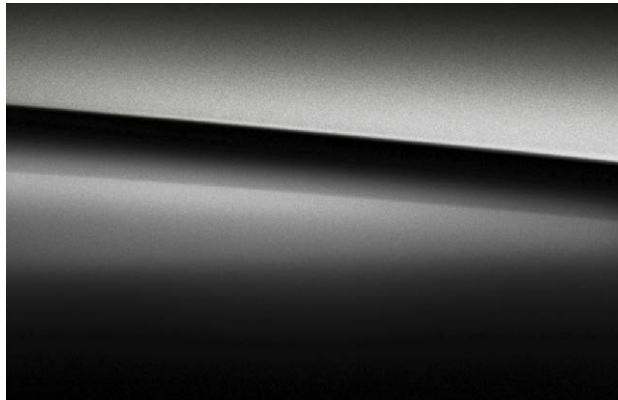
---



Cosmos Black

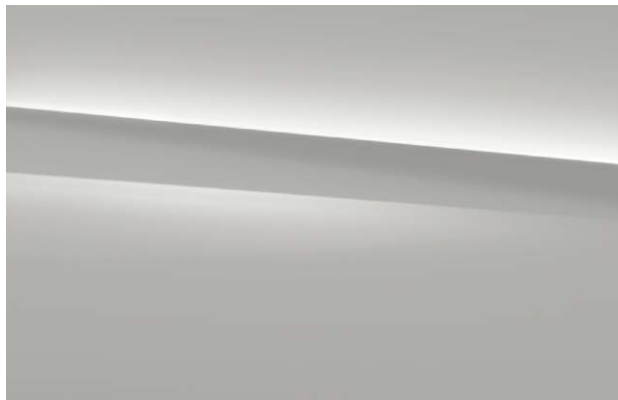
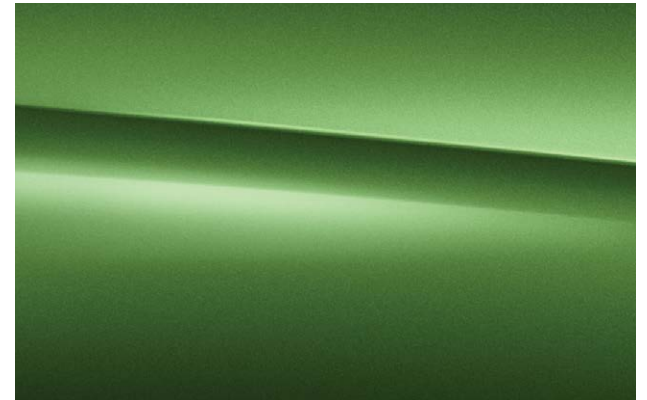
Polar Silver

---



Elbait Green

---



# Upholstery, trim and alloy

---

## UPHOLSTERY

---

ARTICO man-made leather/Messancy Style fabric  
in black/red

---

ARTICO man-made leather/Messancy Style fabric  
in black/green\*

---



---

## TRIM

---

Honeycomb look

---



---

## ALLOY

---

5-twin-spoke light-alloy wheels, painted black  
with a high-sheen finish, with 205/55 R 16 tyres

---



\*Green interior upholstery will be available only with Elbait green exterior colour.



# Genuine Accessories

## Illuminated Star

Let your Star shine. Thanks to fibreoptic cables and LED technology, the central star emblem in your Mercedes' radiator grille lights up when you remotely lock/unlock the vehicle or open the door or tailgate. Only functions when engine is switched off.



Illuminated Star

## Front trim strip, Carbon-Style carbon-effect

Mercedes-Benz Sport Equipment front apron spoiler lip in realistic Carbon-Style with individual, dynamic 3D effect underlines the dynamic character of the vehicle.



Front trim strip, Carbon-Style carbon-effect

## Exterior mirror housing, 2-piece, black

Black, high-gloss Mercedes-Benz Sport Equipment Exterior mirror housings for enhanced aerodynamics and an individual, sporty and dynamic look.



Exterior mirror housing, 2-piece, black

# Genuine Accessories

## Rear trim strip, Carbon-Style

The Mercedes-Benz Sport Equipment rear trim strip, with its realistic carbon fibre look and individual, dynamic 3D effect, underlines the vehicle's dynamic appearance.



Rear trim strip, Carbon-Style

## Trim rear window, 2-piece chromed

High-shine chromed trim, stylishly rounding off the Mercedes Sport individualisation concept for your A-Class. 2-piece set.



Trim rear window, 2-piece chromed

## Decal Kit

With both sets of decals (Road & Track) lend your vehicle a sporty look and underline its expressive design.



Decal Kit



# Genuine Accessories

## Garmin® MAP PILOT SD card

User-friendly navigation and excellent route guidance – the Garmin® MAP PILOT navigation system brings all the benefits to the Audio system. The maps have a Garmin look and feel and appear in high resolution and in colour on the multimedia system's large display, with additional navigation information in the instrument cluster.



Garmin map pilot SD card

## Sports Pedals

For a sporty look – the pedal covers, in brushed stainless steel, add a sporty, high-quality touch to the interior. The genuine parts feature a non-slip rubber stud inlay and comply with the safety standards of Mercedes-Benz.



Sports Pedals

## Travel and Tool Kit

The head restraint elements are simple to fit and remove. The modular system centers around a base support which can be combined with various products – a coat hanger, a universal hook or a folding table.



Travel and Tool Kit

## Coolbox

Not only cools but warms too. Cools up to 20°C below ambient temperature – to max. -2°C. Can be switched to warming function. Robust, highly insulated hard case with fabric cover, outside pockets and padded shoulder strap. Capacity: 24 litres. Can be connected to 12 V socket in vehicle or to 230 V power source via separately available rectifier.



Coolbox

# Genuine Accessories

## Mud Flaps

The Mud Flaps protect the sides, rear and underbody of the vehicle from scratches and damage from loose chippings. They also help protect following traffic from loose chippings, splash water and dirt. And they minimize spray. Precision-tailored to the contours of the vehicle – do not affect the vehicle’s sporty looks. Material: extremely hard-wearing, durable, UV-resistant. Can be painted in the color of your choice.



Mud Flaps

## Mats

Floor Mats have to undergo rigorous testing before they are deemed worthy of the star logo: durability, fade-resistant colour and a neutral odour. The mats are precision-tailored to your Mercedes-Benz using the vehicle’s original CAD data. Can be clip-fastened to the floor to prevent slipping. Floor Mats are available in various types and colors in order to meet your specific requirements.

### Velour Floor Mats

Elegant, high-quality, black tufted velour mats, featuring metal badge with Mercedes-Benz lettering.



Velour Floor Mats

### All-Season Floor Mats

Robust, washable synthetic mats, designed for heavy use. Contemporary design with recessed areas and raised edge. With distinctive Mercedes-Benz star logo. Available in black.



All-Season Floor Mats

# Genuine Accessories

## Mercedes-Benz Child Safety

**Mercedes-Benz child seats offer optimum protection in the event of an accident. Child seats are tested and inspected to exacting Mercedes-Benz specifications.**

### “BABY-SAFE plus II” child seat

Deep, moulded seat design offers extra side-impact protection for optimum safety. Special padding, designed to protect particularly vulnerable body areas of children up to around 15 months (up to 13 kg).



“BABY-SAFE plus II” child seat

### “DUO plus” child seat

Optimum safety for children between the ages of around 8 months and 4 years (9 to 18 kg). Fitted as standard with top tether, an additional belt for securing the head section, a height-adjustable shoulder belt, ventilation channels and ISOFIX attachment.



“DUO plus” child seat

### “KIDFIX” child seat

Booster seat for optimum side-impact protection, with height adjustable backrest. The “KIDFIX” seat is secured using the 3-point seat belt and ISOFIT attachment points. For children between the ages of around 3.5 and 12 (15 to 36 kg).



“KIDFIX” child seat

# Genuine Accessories

## Alloys



5-twin-spoke wheel | Black | Wheel 6.5 J x 16 ET 49 | Tyre 205/55/R16



5-twin-spoke wheel | Black | Wheel 7.5 J x 17 ET 52.5 | Tyre 225/45/R17



5-twin-spoke wheel | red rim edge, Black | Wheel 7.5 J x 18 ET 52  
Tyre 225/40/R18

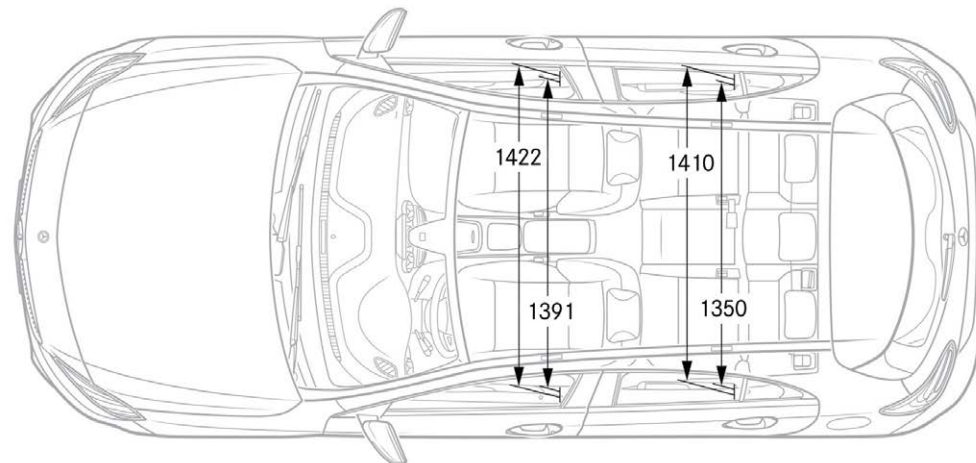
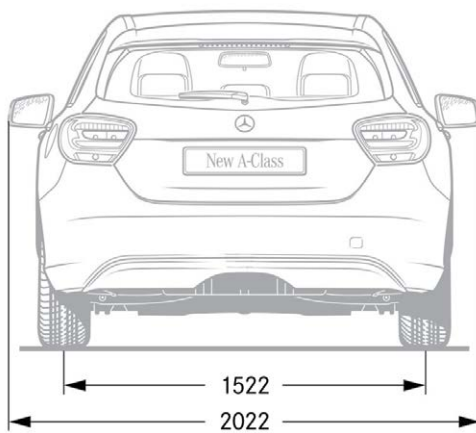
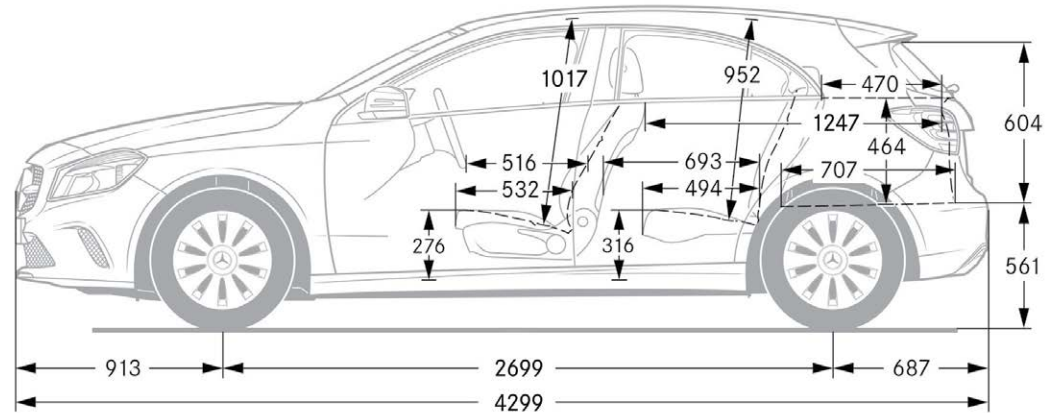
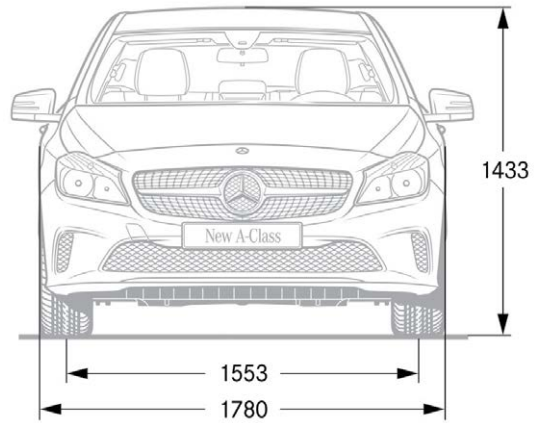


7-spoke wheel | high-sheen, matt black | Wheel 6.5 J x 16 ET 49  
Tyre 205/55/R16



5-twin-spoke wheel | tremolite metallic | Wheel 7.5 J x 17 ET 52.5  
Tyre 225/45/R17

# Dimensions



All dimensions are in millimetres. The dimensions shown are mean values and apply to standard-specification, unladen vehicles.

## Technical data

	<b>A 200 d</b>	<b>A 180</b>
Arrangement/No. of Cylinders	L4	L4
Total displacement (cc)	2143	1595
Rated Output (kW [hp] @rpm)	100 [136] @ 3600 - 4400	90 [122] @ 5000
Rated Torque (Nm @ rpm)	300 @ 1400 - 3000	200 @ 1250 - 4000
Top speed (km/h)	210	202
Fuel	Diesel	Petrol
Tank capacity/reserve (l)	50/6	50/6
Acceleration 0-100 (secs)	8.8	8.6
L x W x H (mm)	4299 x 1780 x 1433	4299 x 1780 x 1433
Wheelbase (mm)	2699	2699

# Service

The luxurious experience of driving a Mercedes-Benz is converted into a fulfilling ownership experience with a range of exclusive services and special programmes.

## Cost of Ownership

There has been a paradigm shift in the buying preferences of Indian consumers over the years, even for the luxury products. The purchase decision not only dwells around cost of acquisition but also the total 'Cost of Ownership' (COO). Amongst the key components of COO in cars are the routine service jobs and the unplanned repair

expenses post the warranty period. We are now offering highly-affordable Service Packages and Extended Warranty Programmes which are the most competitive packages in its class. All in all, we provide you with a controlled Cost of Ownership while you benefit from the legendary Mercedes-Benz service quality.

## Experience complete peace of mind when you drive the Star

**STAR CARE** programme offers peace of mind for you during the warranty period and beyond. While our cars are covered for warrantable repairs of up to 3 years without any mileage limitations as standard, you can also buy STAR CARE Plus programme, offering 4<sup>th</sup> year extended warranty. Additionally, the programme enhances the resale value of your car.



Extended Warranty that guarantees complete peace of mind

**STAR EASE** service package gives you the freedom to relax behind the wheel and puts your mind at ease with its range of unique benefits such as defined cost of maintenance and priority handling. STAR EASE comprehensive package covers essential jobs related to periodic service (viz. oil, filters, consumables, etc.) along with coverage for brake pads, brake discs, wiper blades, wheel alignment and balancing for a contracted period. For further details on products and pricing, please contact your nearest Mercedes-Benz dealer.

### **On-Road Assistance Programme**

As part of our ongoing commitment to you, Mercedes-Benz On-Road Assistance is designed to enhance your overall Mercedes-Benz ownership experience by providing you with 24-hour On-Road Assistance. Mercedes-Benz is the only luxury car manufacturer to offer round-the-clock On-Road Assistance for 3 years from purchase of the vehicle as a standard offering. Peace of mind motoring – guaranteed.



The maintenance of your Star is just as peaceful as driving it



Always at your service

Conditions apply.



# India's Largest Luxury Car Network

It takes a keen sense of responsibility to provide the Best. Our large network is spread across the country in 40 cities with 81 outlets and is still growing. With world-class showrooms, state-of-the-art workshops and highly skilled personnel, experience the best wherever you go.



## DEALER CONTACT:

### NORTH & EAST:

**BHUBANESWAR:**  
Tristar Motors: 0-7852944100

**CHANDIGARH:**  
Joshi Autozone: 0172-5050500  
Panjab Motors: 0172-4290000

**DEHRADUN:**  
Berkeley Motors: 0135-3054000

**DELHI:**  
Patel Auto Services, Rajendra Place:  
011-47626262/0-9810081048

**T & T Motors, Mohan Co-operative,**  
Mathura Road: 011-66574300/330  
Rajouri Garden: 011-66574400/430

**GHAZIABAD:**  
Silver Arrows: 0-9718200500

**GURGAON:**  
T & T Motors: 0124-4263060/62

**JAIPUR:**  
T & T Motors: 0141-4300000/05

**JAMSHEDPUR:**  
Tristar Motors: 0-7763815720/  
0657-6601601/02

**JALANDHAR:**  
Joshi Autozone: 0181-5004444

**KANPUR:**  
Smart Hoops: 0-8795663300

**KARNAL:**  
Berkeley Motors: 0184-3300000

**KOLKATA:**  
Benchmark Interkrafts: 1800 3000 3310

**LUCKNOW:**  
Smart Hoops: 0522-6004008/9

**LUDHIANA:**  
Joshi Autozone: 0161-5055000

**MOHALI:**  
Panjab Motors: 0172-4290000

**NOIDA:**  
Silver Arrows: 0-9999200500

### WEST:

**AHMEDABAD:**  
Benchmark Cars: 0-9377662000

**AURANGABAD:**  
B. U. Bhandari: 0-8605121333/  
0240-6452601/02

**BHOPAL:**  
Benchmark Cars: 0-9098233233

**GOA:**  
Counto Motors: 0832-2415122

**INDORE:**  
Benchmark Cars: 1800-3000-8844

**KOLHAPUR:**  
B. U. Bhandari: 0231-2661422/  
0-8380093555

**MUMBAI:**  
Auto Hangar, Prabhadevi: 022-67434362/63  
Auto Hangar, Andheri: 022-67106660/61

**Metro Motors, Auto Hangar division**  
Hughes Road: 022-66123500/11

**Shaman Wheels, Off BKC:** 022-24228787

**NAVI MUMBAI:**  
Shaman Wheels: 022-24228787

**NAGPUR:**  
Auto Hangar: 0-9223540191/  
07104-238180/1/2/3

**NASHIK:**  
Indisch Motoren: 0253-6645555

**PUNE:**  
B. U. Bhandari, Baner: 020-67212129  
Pune City Showroom: 020-67212131

**RAJKOT:**  
Benchmark Cars: 0-9377750050

**RAIPUR:**  
Auto Hangar: 0771-6537801/0-8518887155

**SURAT:**  
Benchmark Cars: 0-9377660066

**VADODARA:**  
Benchmark Cars: 0-9377390001

### SOUTH:

**BENGALURU:**  
Sundaram Motors: 080-22070720/21

**Akshaya Motors, Mysore Road:**  
080-22966300, 0-9066030989

**Akshaya Motors, Koramangala:**  
080-22966296, 0-9019326026

**CALICUT:**  
Bridgeway Motors: 0495-30 55555

**CHENNAI:**  
Trans Car: 044-40200300

**Titanium Motors:** 044-66498080/8181/8282

**COIMBATORE:**  
Sundaram Motors: 0422-2452020

**COCHIN:**  
Rajasree Motors:  
0484-2706332/2706432/2706134  
2607027/37/47

**HYDERABAD:**  
Mahavir Motors: 040-43403004

**MADURAI:**  
Sundaram Motors: 0452-2320433/  
0-9500966946

**MANGALORE:**  
Sundaram Motors: 0824-2214833/2215833/  
0-9008442155

**TRIVANDRUM:**  
Rajasree Motors: 0471-2380377/  
0-9846547551

**VIJAYAWADA:**  
Mahavir Motors: 0866-2082559/  
0-9885303004

## MERCEDES-BENZ CERTIFIED:

**AHMEDABAD:**  
Benchmark Cars: 0-9016665000

**BENGALURU:**  
Akshaya Motors: 0-9019944044  
Sundaram Motors: 080-22070746/  
0-9880662051

**CHANDIGARH:**  
Joshi Autozone: 0-9878941930/ 0172-  
5050500/510

**CHENNAI:**  
Transcar: 0-9841049994

**DELHI:**  
T&T Motors, Mathura Road: 0-9711774424  
T&T Motors, West Delhi: 0-9711112243

**GHAZIABAD:**  
Silver Arrows: 0-9718200500

**HYDERABAD:**  
Adishwar: 0-7799633004

**KOCHI:**  
Rajasree Motors: 0-9846547311

**MOHALI:**  
Panjab Motors: 0172-4290000

**MUMBAI:**  
Autohangar India: 0-9223546204,  
0-9223547099

**Shaman Wheels:** 0-9619023450/ 022-  
69543333

**PUNE:**  
B U Bhandari: 020-67212172/0-8605118555

## AMG PERFORMANCE CENTERS:

**BENGALURU:**  
Sundaram Motors: 080-22070720/21

**DELHI:**  
T&T Motors: 011-66574309

**HYDERABAD:**  
Mahavir Motors: 0-9885033004/  
0-9885653004

**MUMBAI:**  
Auto Hangar: 022-67434360/61/65

**PUNE:**  
B.U. Bhandari: 020-67212131/0-8554055555

Our national toll-free no.:

1800 102 9222

One Call. All Answers.

For a complete list of  
Mercedes-Benz outlets,  
please explore the dealer locator  
tab on [www.mercedes-benz.co.in](http://www.mercedes-benz.co.in)



**Mercedes-Benz India Private Limited:** E-3, MIDC Chakan - Phase III, Chakan Industrial Area, Kuruli & Nighoje, Tal: Khed, Pune - 410 501 (India)  
Toll free No.: 1800 102 9222. e-mail: customerconnect@daimler.com, **website: [www.mercedes-benz.co.in](http://www.mercedes-benz.co.in)**

**Please note:** This brochure is intended for general information, description and illustration of the Product including optional functions and equipment and may not be specific to a Product since specification of a product may change from time to time. Optional features, functions and equipment etc. may not be present in the Standard or Variant Product or Special Edition Product. Further, Standard specifications of a product may also vary from time to time. Colours may differ from those shown in pictures in the brochure, owing to printing. Mercedes-Benz India reserves the right to make changes, at any point of time, without prior notice, in design, colours, materials, components, equipment, specifications, features, functions, make and models etc. The information given in this brochure shall be regarded as accurate at the time of going to print and may vary thereafter due to any developments or any other reason. Interested parties should confirm with the Authorised Dealer about the correct specification of the product they desire to purchase. For the latest authentic information and updates, kindly contact your nearest Authorised Dealer.

All title, ownership rights and intellectual property rights in and relating to this brochure / magazine or publication material or any copies thereof including but not limited to copyright, logos, names, trademarks, service marks, design, text, images, links, concepts and themes are owned by Daimler AG and/or its subsidiaries collectively or used under authorised license by the Daimler AG. Any reproduction, transmission, publication, performance, broadcast, alteration, license, creation of derivative works or other use in whole or in part in any manner without the prior written consent of the Daimler AG is strictly prohibited.

Month of going to press: December, 2015. Mercedes-Benz cars: The New A-Class meets Bharat Stage IV equivalent emission norms.

CIN - U34102PN1994PTC083160