



S·N·G  
**BARRATT**  
GROUP

*Z*-TYPE

THE PARTS COLLECTION

## FIND US...

With over 30 years experience in supplying Jaguar parts, SNG Barratt Group are the World's largest independent specialists, with a Head Office in the UK and branches in the USA, France and Holland. We stock and supply parts for Jaguar cars from 1949 right through to the present day.



**SNG BARRATT LTD**  
BRIDGNORTH, UNITED KINGDOM

T: +44 (0)1746 765432 E: sales.uk@sngbarratt.com



**SNG BARRATT USA**  
NEW HAMPSHIRE, USA

T: +1 800 452 4787 E: sales.usa@sngbarratt.com



**SNG BARRATT FRANCE**  
CHARNEY-LES-MACON

T: +33 (0)3 85 20 14 20 E: france@sngbarratt.com



**SNG BARRATT NL**  
OISTERWIJK

T: +31 (0)1352 11 552 E: sales.nl@sngbarratt.com



**SNG BARRATT GERMANY**  
OISTERWIJK, NL

T: 018 01 833 833 (DE only) E: sales.de@sngbarratt.com

ALL INCLUDED IMAGES & DATA  
© SNG BARRATT GROUP LTD. 2018

# KEEPING JAGUARS PURRING

## ALL OVER THE WORLD

EXPERIENCE, KNOWLEDGE  
& EXPERT ADVICE

MULTILINGUAL STAFF TO HELP  
CUSTOMERS WORLDWIDE

EXTENSIVE WAREHOUSES

1-2 DAY SHIPPING

24 HOUR ONLINE ORDERING &  
UP-TO-DATE STOCK AVAILABILITY

INTERACTIVE PARTS SEARCH  
& FREE CATALOGUES



## WELCOME

SNG Barratt first started to sell and remanufacture Jaguar E-Type components in the 1970's. With constant re-investment the range quickly grew and more and more items were re-introduced. Now many years later we make a multitude of parts for the entire range of classic Jaguars. This catalogue is designed purely with the X-Type owner in mind and offers a comprehensive range of the products that we can provide for this model.



## YOUR CUSTOMER NUMBER

Upon dealing with SNG Barratt for the first time you will be allocated a customer number. In most cases this will be your UK postcode or in the USA your telephone number. However if you are outside the UK/USA your sales advisor will use either your postal area code or a number devised using your surname. This customer number can either be found on your invoice or simply by asking the person serving you. The ability to provide your customer number when contacting our sales department will allow us to access your information far faster and serve you even more efficiently.

Customer Number: .....



## HOW TO USE THIS CATALOGUE

Use the illustration in each section to identify the component that you require. Note the indicated item number and find the corresponding number in the section listing. There you will see our part number for that item, the description and to it's right the quantity required per car. Very often this will be the original Jaguar part number, thus allowing you to refer to an original factory parts catalogue if more detail is required.

If you then quote this part number when contacting our sales department or enter it into our website, we will be able to confirm the cost (all prices are also available online) and whether we have the part in stock.

If you cannot find or conclusively identify the item that you require then please call and we will assist you. Whilst this catalogue is a comprehensive publication it is not a definitive guide to everything that we do. Our staff have many years of experience with all aspects of the Jaguar marque and may have just the answer...

**Item number**

**Diagram Title**

**Part number**

**Quantity required per car**

Description	Part number	Quantity required per car
1. Piston		
2.0 Litre Petrol		
Grade 1	C2S4926	6
Grade 2	C2S4927	6

We manufacture hundreds of Jaguar parts and have access to thousands more, for both classic and modern cars.

You can download your very own set of catalogues from our website at

[www.sngbarratt.com](http://www.sngbarratt.com)





# INTRODUCTION

## THE JAGUAR X-TYPE

The X-Type was produced from 2001 until 2009 and was marketed in a saloon and estate variants, the X-Type Estate was the first estate car to manufactured in series production by Jaguar.

Codenamed X400 the X-Type was launched in October 2001, originally only a saloon model was available however in 2004 the estate model, known as the Sportwagon in the U.S.A, was added to the range. The car was initially only available with all-wheel-drive and the choice of a 2.5 or 3.0 litre V6, although in 2002 an entry-level 2.0 Litre V6 with front-wheel-drive was added. 2003 saw the introduction of a 2.0 litre diesel engine. All engines were available with either a 5-speed manual or a 5-speed automatic gearbox.

In 2007 the X-Type underwent a facelift, incorporating revised front and rear facias, new door mirrors with integrated indicators, a new 6-speed automatic gearbox with Jaguar Sequential Shift and also a 2.2 litre diesel engine.

Jaguar Land Rover announced that it would end production of the X-Type in 2009, over 360,000 X-Types were built during its production years, averaging 42,000 cars per year making it one of the most popular Jaguars ever built.

## YOUR VEHICLE DETAILS

Please complete this section as accurate vehicle information at your finger tips will prove to be invaluable. Very often identifying the correct part for you car can be all down to chassis or engine number. These details can best be found on the car itself, as registration documents can often prove to be incorrect due to engine swaps and vehicle upgrades that the DVLA have not been advised of.

Year of manufacture: .....

Engine Size & Type: 2.0 Petrol / 2.5 Petrol / 3.0 Petrol / 2.0 Turbo Diesel / 2.2 Turbo Diesel

Gearbox: Automatic / Manual

VIN / Classis Number:

**S A J**

Engine Number:

Paint Code:

### CATALOGUE ACRONYM CODE:

**RHD:** Right-Hand Drive / **LHD:** Left-Hand Drive

**RH:** Right-Hand / **LH:** Left-Hand

**PAS:** Power Assisted Steering

**EATC:** Electronic Automatic Temperature Control

**A/C & A.C:** Air Conditioning

**EGR:** Exhaust Gas Recirculation

We have access to thousands of Jaguar parts. This information will help us to quickly locate the best parts for your Jaguar X-Type.

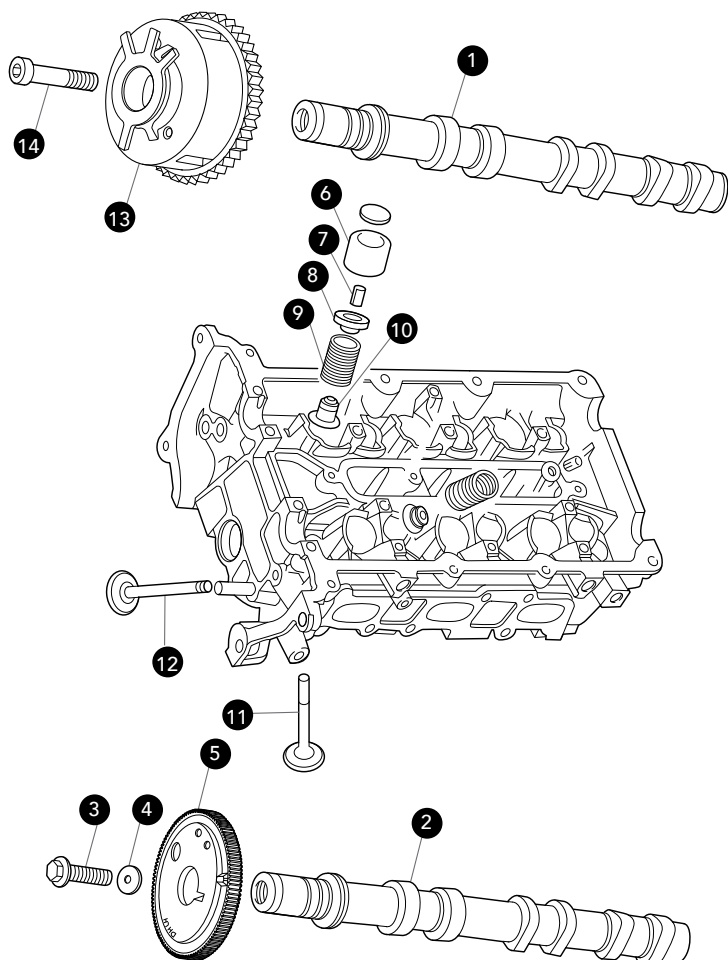


<b>ENGINE: PETROL</b>		FUEL INJECTORS	47	QUICKSILVER	74	<b>AIR CONDITIONING &amp; HEATING</b>	
CAMSHAFT	8	ACCELERATOR PEDAL	48	EGR VALVES	75	AIR CON SYSTEM	104
PISTONS	10			HEATSHIELDS	75	AIR DUCTS	105
CRANKSHAFT	11	<b>TRANSMISSION &amp; DRIVELINE</b>		<b>BODY</b>		AIR PARTICLE FILTER	105
CYLINDER BLOCK & HEAD	12	CLUTCH MASTER & SLAVE	50	BOLTED PANELS	76	BLOWER MOTOR	106
DRIVE BELTS/PLATE	13	GEAR CHANGE CONTROL	51	WHEELARCH LINERS	78	CONDENSOR	106
ENGINE ASSEMBLY	14	CHANGE SPEED LEVER	52	FRONT BUMPERS	79	ASPIRATOR & SENSOR	107
GEARBOX MOUNTINGS	15	GEARBOX SWITCHES	52	REAR BUMPERS	81	CONSOLE CONTROL	107
ROLL RESTRICTOR	16	GEAR CONTROL CABLE	53	RADIATOR GRILLES	83	COMPRESSOR	108
EXHAUST MANIFOLDS	16	FLYWHEEL & CLUTCH	54	DOOR MIRRORS	84	REFRIGERANT HOSES	109
INLET MANIFOLDS	17	DIFFERENTIAL	55	DOOR GLASSES & FRAMES	85	EVAPORATOR & HEATER MATRIX	110
OIL FILTER	18	PROPSHAFT	55	DOOR SEALS	87	SUPPLEMENTARY HEATER	110
OIL PUMP & SUMP	19	DRIVESHAFTS	56	DOOR HANDLES & LOCKS	87		
TIMING CHAINS	20	TRANSFER BOX	57	BADGES	90	<b>WASHER &amp; WIPER</b>	
						WIPER ARMS & BLADES	111
<b>ENGINE: DIESEL</b>		<b>BRAKING</b>		<b>LIGHTING</b>		WIPER MOTOR	112
CAMSHAFT	21	DISCS & CALIPERS	58	HEADLAMPS	91	SCREENWASH SYSTEM	112
PISTONS	22	HANDBRAKE	60	HEADLAMP LEVELLING	92		
CRANKSHAFT	23	ABS SYSTEM	60	FRONT FOG LAMPS	92	<b>SERVICE ITEMS</b>	114
CYLINDER BLOCK & HEAD	24	BRAKE SERVO & MASTER CYLINDER	61	SIDE LAMPS	93		
DRIVE BELTS/PLATE	26	PEDAL HOUSING	62	REAR LAMPS	94	<b>LUBRICANTS &amp; CLEANING PRODUCTS</b>	115
ENGINE ASSEMBLY	27			NUMBER PLATE LAMP	95		
INLET MANIFOLDS	29	<b>STEERING &amp; SUSPENSION</b>		INTERIOR LAMPS	96	<b>ACCESSORIES</b>	116
OIL FILTER	29	SPRINGS & DAMPERS	63				
OIL PUMP & SUMP	30	ANTI-ROLL BARS	64	<b>ELECTRICAL COMPONENTS</b>			
TIMING CHAINS	31	HUB & VERTICAL LINK	64	HORNS	96		
		REAR CARRIERS	65	IGNITION SYSTEM	97		
<b>COOLING SYSTEM</b>		FRONT CROSSBEAM	66	STARTER MOTOR	97		
EXPANSION TANK	32	WISHBONES	67	ALTERNATOR	98		
INTERCOOLER	33	TRACTION CONTROL	68	ENGINE SENSORS	99		
RADIATOR	34	POWER STEERING PUMP	68	INERTIA SWITCH	100		
WATER PUMP	38	STEERING RACK	69	RELAYS	100		
THERMOSTAT	39	PAS RESERVOIR	70	PARKING AID	101		
				SWITCHES & CIGAR LIGHTER	102		
<b>AIR &amp; FUEL DELIVERY</b>		<b>EXHAUST COMPONENTS</b>					
AIR CLEANER	40	FRONT PIPES	71				
THROTTLE BODY	41	REAR PIPES	73				
FUEL TANK	42						
FUEL FILLER & CAP	45						
PIPES & HOSES	46						



# ENGINE V6 PETROL

## CAMSHAFTS & VALVES



### 1. Inlet Camshaft

2.0 Litre Petrol

LH B-Bank	C2S5157	1
RH A-Bank	C2S5153	1

2.5 & 3.0 Litre Petrol

LH B-Bank	AJ85311	1
RH A-Bank	C2S19397	1

### 2. Exhaust Camshaft

2.0 Litre Petrol

LH B-Bank	C2S19399	1
RH A-Bank	C2S19398	1

2.5 & 3.0 Litre Petrol

LH B-Bank	C2S11247	1
RH A-Bank	C2S11244	1

### 3. Sprocket to Camshaft Bolt

Exhaust Side

4. Flat Washer

5. Exhaust Camshaft Sprocket

6. Tappet

7. Valve Collet

8. Spring Retainer

9. Valve Spring

10. Valve Seal

11. Inlet Valve

3.0 Litre Petrol

2.0 & 2.5 Litre Petrol

12. Exhaust Valve

3.0 Litre Petrol

2.0 & 2.5 Litre Petrol

13. Inlet Camshaft Sprocket

With Variable Valve timing

2.0 Litre Petrol

2.5 & 3.0 Litre Petrol

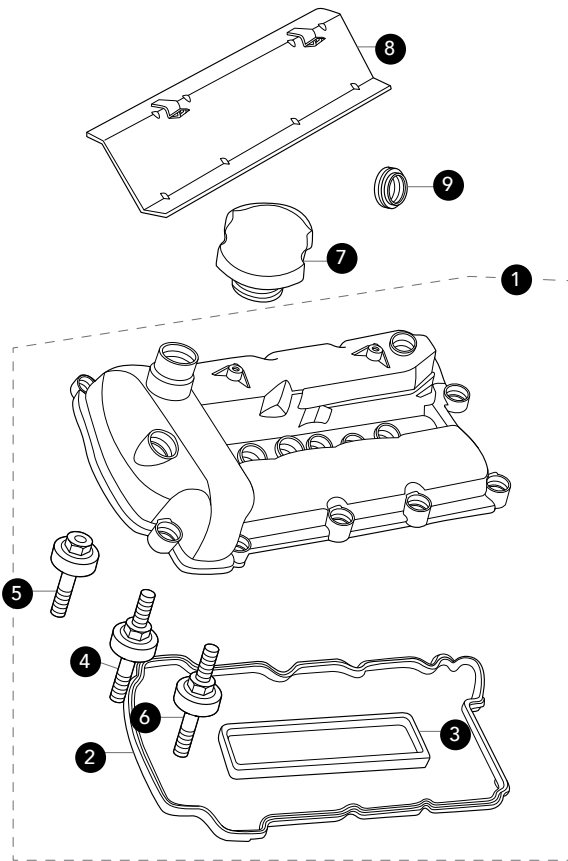
14. Bolt

2.0 Litre Petrol

2.5 & 3.0 Litre Petrol



# ENGINE V6 PETROL CAMSHAFT COVER



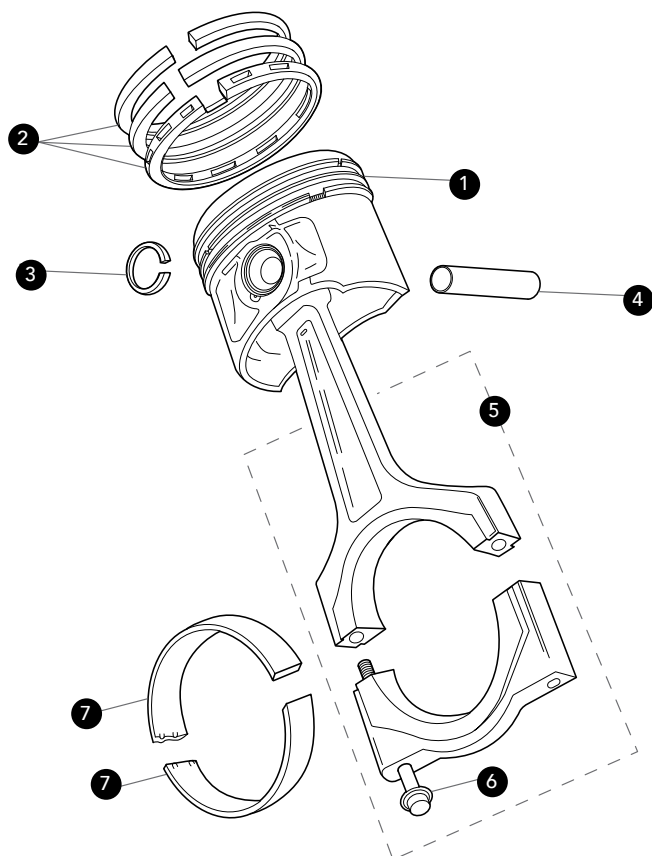
1. Camshaft Cover		
LH B-Bank		
With Oil Filler Cap Hole	C2S44850	1
RH B-Bank	C2S44849	1
2. Camshaft Cover Gasket		
LH B-Bank		
To VIN E51583	C2S27975	1
From VIN E51584	XR851931	1
RH A-Bank	XR851930	1
3. Camshaft Cover Spark Plug Boss Seal	XR847907	2
4. Camshaft Cover Stud	C2S5175	20
5. Camshaft Cover Bolt	C2S44851	4
6. Camshaft Cover Stud	C2S44851	3
7. Oil Filler Cap	C2C16256	1
8. Camshaft Cover Heatshield	C2S10750	1
9. VVT Solenoid Grommet	AJ82577	2

Tappet adjustment shims are available in increments of 0.005mm from 2.115mm to 2.300mm.  
Contact sales for information



# ENGINE V6 PETROL

## PISTONS & CONNECTING RODS



3. Gudgeon Pin Snap Ring	XR847861	12
4. Gudgeon Pin		
2.0 Litre Petrol	C2S4929	6
2.5 Litre Petrol	C2S5359	6
3.0 Litre Petrol	XR85211	6
5. Connecting Rod		
2.0 Litre Petrol	C2S51866	6
2.5 & 3.0 Litre Petrol		
To VIN E99894	XR842223	6
From VIN E99895	C2S52083	6
6. Connecting Rod Bolt	XR85342	6
7. Connecting Rod Bearing	XR8853085	6

### 1. Piston

#### 2.0 Litre Petrol

Grade 1	C2S4926	6
Grade 2	C2S4927	6
Grade 3	C2S4928	6

#### 2.5 Litre Petrol

Grade 1	XR857639	6
Grade 2	C2S49312	6
Grade 3	XR857640	6

#### 3.0 Litre Petrol

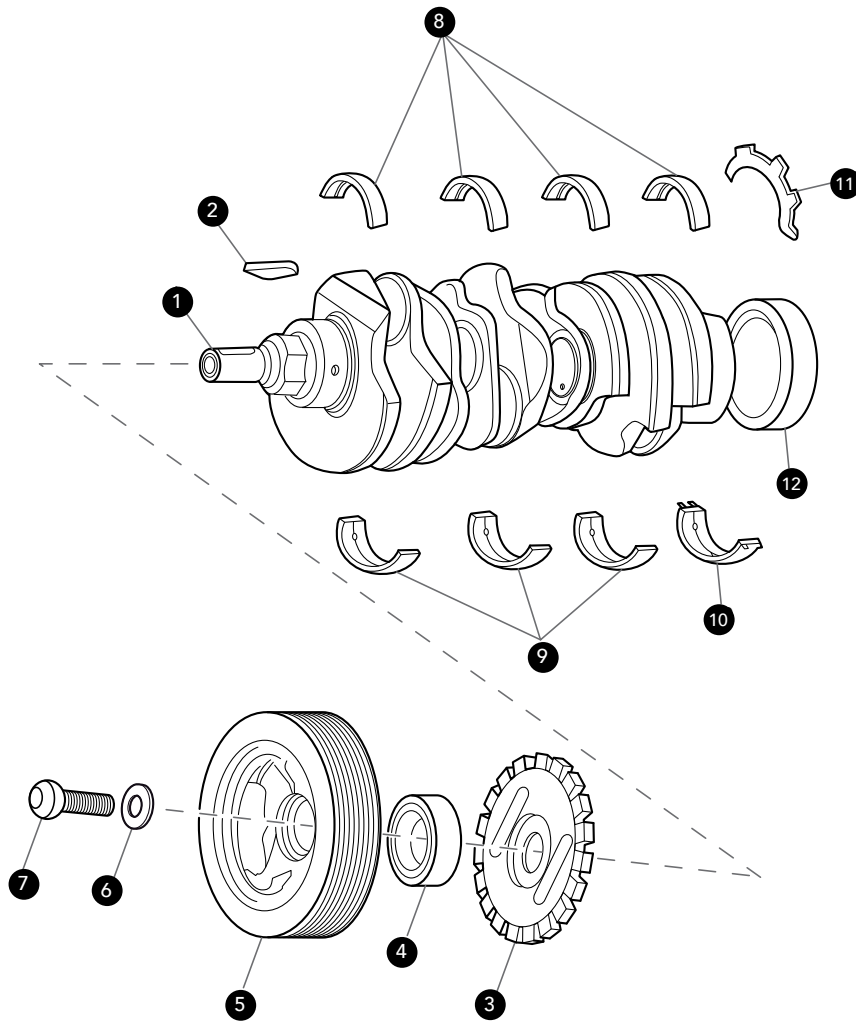
Grade 1	XR857545	6
Grade 2	XR857546	6
Grade 3	XR857547	6

### 2. Piston Ring Kit

3.0 Litre Petrol	C2S5449	6
2.0 & 2.5 Litre Petrol	XR828057	6



# ENGINE V6 PETROL CRANKSHAFT & PULLEY

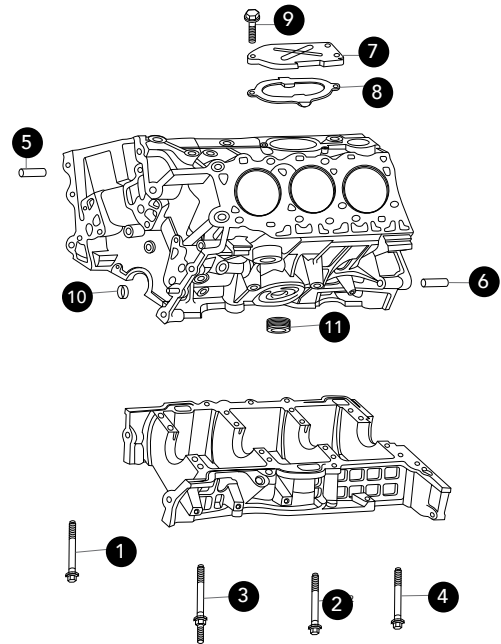


1. 2.0 Litre Petrol	C2S4868	1	9. Crankshaft Main Bearing, Lower		
2.5 Litre Petrol	XR819427	1	Grade 1	XR852359	3
3.0 Litre Petrol	C2S14121	1	Grade 2	XR852360	3
2. Woodruff Key	XR85311	1	Grade 3	XR852361	3
3. Timing Disc	C2S13160	1	10. Crankshaft Thrust Bearing, Lower		
4. Crankshaft Front Oil Seal	C2S48116	1	Grade 1	XR852362	1
5. Crankshaft Damper	C2S44703	1	Grade 2	XR852363	1
6. Flat Washer	XR85152	1	Grade 3	XR852364	1
7. Crankshaft Damper Bolt	XR816493	1	11. Crankshaft Thrust Washer, Upper		
8. Crankshaft Main Bearing, Upper			To VIN D55321	C2S12612	1
Grade 1	C2S52123	4	From VIN D55322	AJ88631	1
Grade 2	C2S52124	4	12. Crankshaft Rear Oil Seal	AJ89510	1
Grade 3	C2S521259	4			

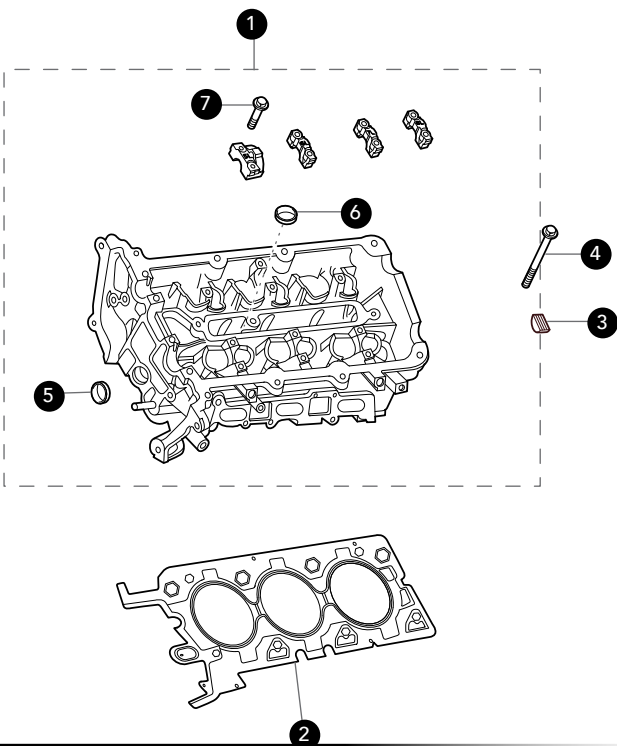
Contact Sales for Information on Engine & VIN Nos

# ENGINE V6 PETROL CYLINDER BLOCK

1. Main Bearing Bolt M10 x 103mm	XR83302	8
2. Main Bearing Bolt M8 x 94mm	XR85191	4
3. Stud Bolt M8 x 94mm	XR85193	5
4. Bolt & Washer M8 x 75mm	XR842250	5
5. Timing Cover Dowel	C2S48343	4
6. Cylinder Block to Gearbox Dowel	XR816260	2
7. Crankcase Vent Cover	AJ87263	1
8. Breather Housing Gasket	AJ88279	1
9. Bolt & Washer M8 x 20mm	JZH100059	2
10. Plug	XR85198	1
11. Plug, 0.75" Diameter	XR85199	1



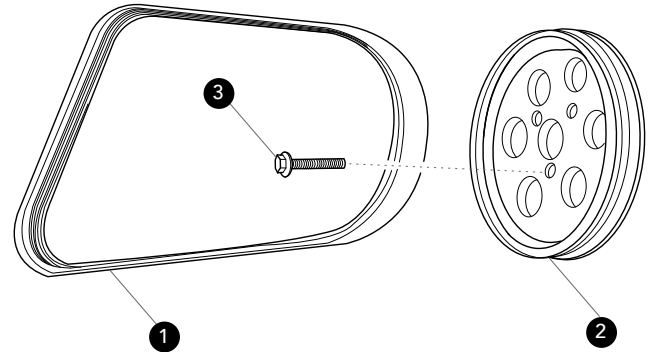
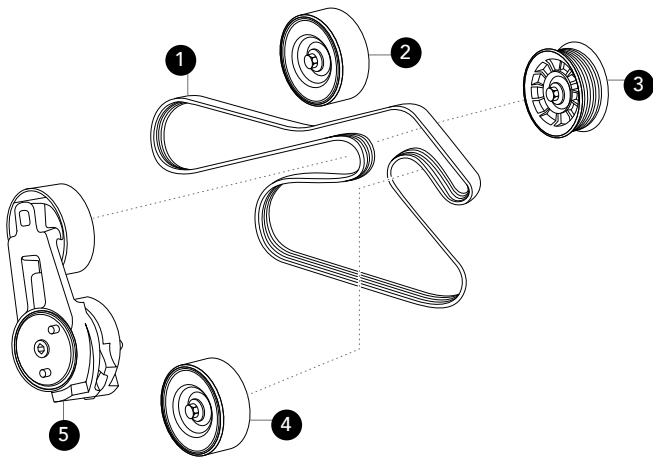
# ENGINE V6 PETROL CYLINDER HEAD



1. Cylinder Head, with Valves		
2.0 Litre Petrol		
LH B-Bank	C2S15164	1
RH A-Bank	C2S15161	1
2.5 Litre Petrol		
LH B-Bank	C2S15163	1
RH A-Bank	C2S15160	1
3.0 Litre Petrol		
LH B-Bank	C2S15162	1
RH A-Bank	C2S15159	1
2. Cylinder Head Gasket		
	<b>Contact Sales for Information</b>	
3. Cylinder Head Insert	XR85240	4
4. Cylinder Head Bolt, M10	XR85387	16
5. Plug	XR85317	6
6. Plug	XR85318	2
7. Camshaft Cap Bolt M6 x 40mm		
3.0 Litre Petrol	XR851882	1

# ENGINE V6 PETROL DRIVE BELTS & PULLEYS

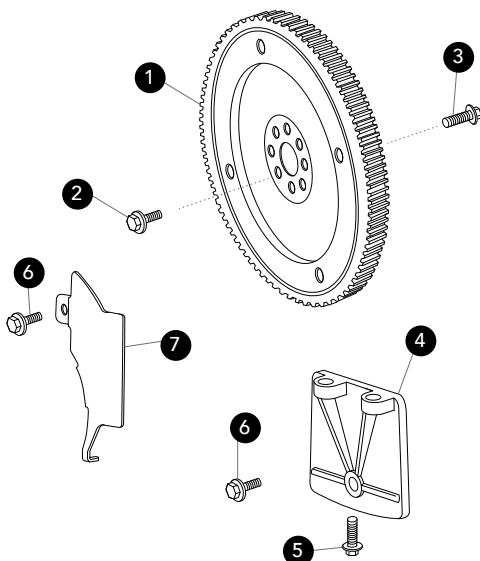
1. Engine Drive Belt	C2S24900	1
2. Idler	C2S44699	1
3. Idler Pulley	AJ89037	1
4. Idler	C2S38986	1
5. Drive Belt Tensioner	C2S45579	1
6. Hexagonal Head Flanged Bolt M10 x 85mm	C2S26052	1



## AUXILIARY DRIVE BELT

1. Water Pump Drive Belt	C2S39525	1
2. Auxiliary Drive Pulley	C2S44704	1
3. Hexagonal Head Flanged Bolt	C2S6233	3

# ENGINE V6 PETROL DRIVE PLATE & FLYWHEEL COVERS



1. Drive Plate, Automatic	C2S38423	1
2. Bolt, M10 x 19mm	C2S5393	8
3. Torque Converter Bolt M10 x 12mm	C2S16871	4
4. Dust Cover	C2S21621	1
5. Bolt & Washer M8 x 30mm	C2S32994	1
6. Bolt, M6 x 16mm	C2S26049	1
7. Dust Cover		
To VIN C4880	C2S13552	1
From VIN C44881	C2S17071	1

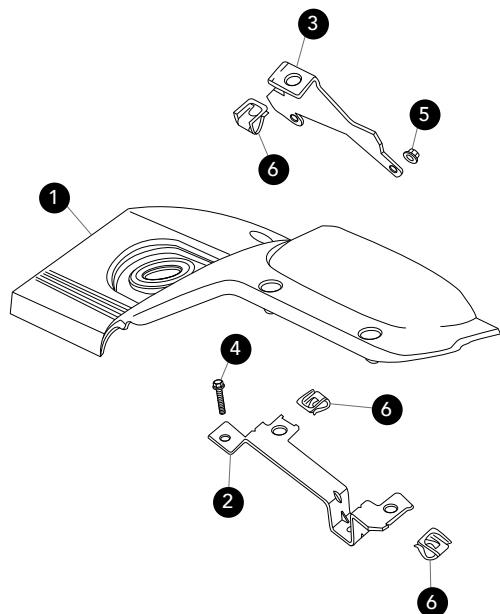
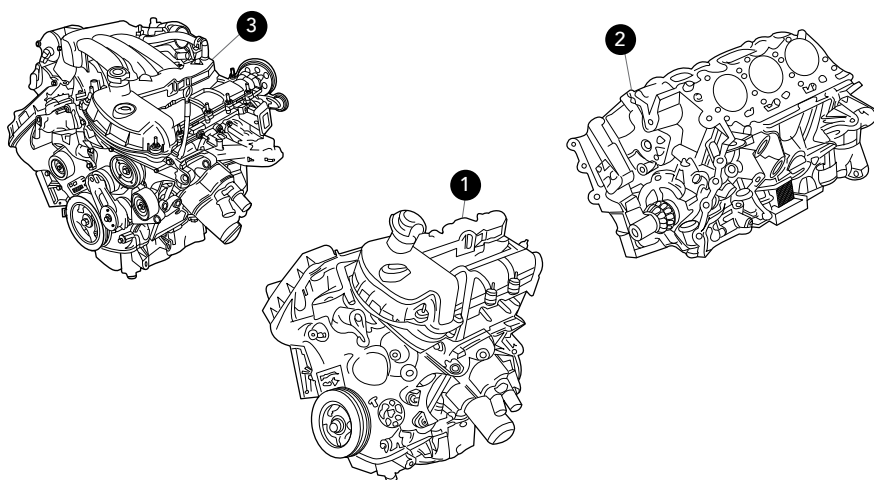
# ENGINE V6 PETROL

## ENGINE ASSEMBLY

### ENGINE ASSEMBLY

1. Stripped Engine
2. Short Engine
3. Complete Engine

Contact Sales for full Parts Information

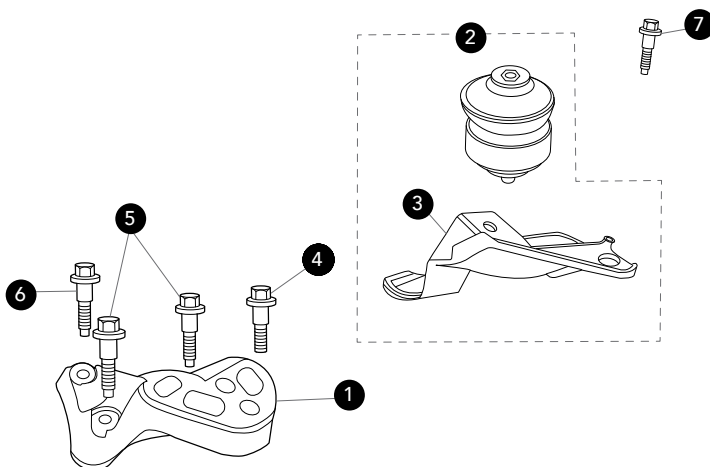


### ENGINE COVER

1. Engine Cover, Petrol	C2S18241	1
2. Engine Cover Bracket LH B-Bank, Front	C2S10747	1
3. Engine Cover Bracket RH A-Bank, Rear	C2S17223	1
4. Hexagonal Headed Flange Bolt M5 x 35mm		
To VIN J28492	C2S10749	2
From VIN J28493	C2S45770	2
5. Nut M6		
From VIN J19305	JFN10604B	2
6. Spring Anchor	C2S6665	3

### FRONT ENGINE MOUNTINGS

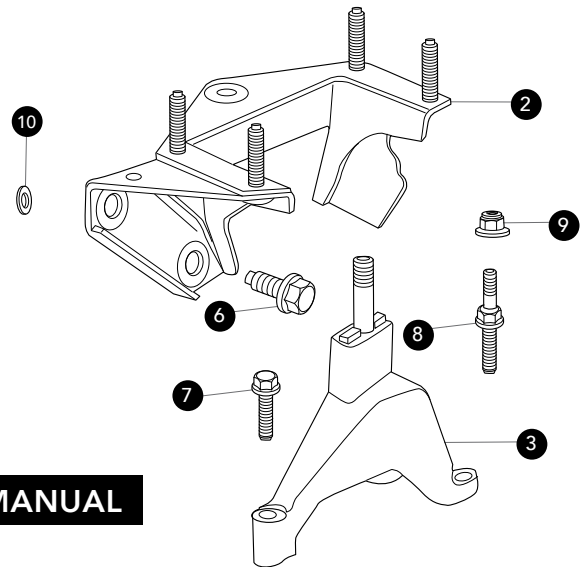
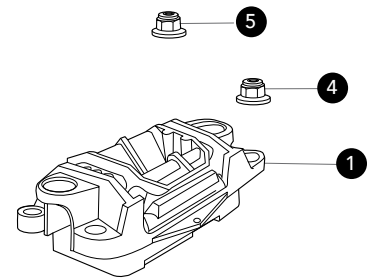
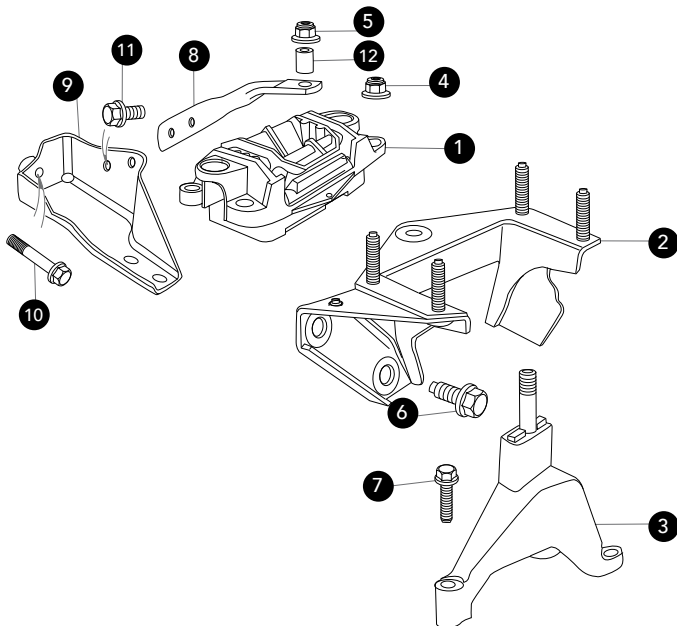
1. Front Engine Mounting Bracket Upper	C2S8845	1
2. Engine Mounting Assembly	C2S46677	1
3. See 2.		
4. Flange Headed Screw, M12	C2S3267	1
5. Hexagonal Head Flanged Bolt, M10	C2S4592	2
6. Flange Headed Screw M10 x 35mm	C2C22133	1
7. Flange Headed Screw, M12	C2S3282	3



# ENGINE V6 PETROL GEARBOX MOUNTINGS

## AUTOMATIC

1. Insulator		
All Wheel Drive	C2S4589	1
Front Wheel Drive	C2S22457	1
2. Gearbox Mounting Bracket	C2S22456	1
3. Auto Box Mounting Bracket support		
2.2 Litre turbo Diesel		
To VIN J39905	C2S46690	1
From VIN J39906	C2S48929	1
All Other Models		
To VIN J39905	C2S2460	1
From VIN J39906	C2S46690	1
4. Nut, M10	C2S45731	4
5. Flange Nut, M14	C2S3276	1
6. Flange Headed Screw	C2S45757	4
7. Flange Headed Screw, M12	C2S3267	3
8. Horizontal Brace	C2S12443	1
9. Support Plate, Auto	C2S15213	1
10. Bolt, M10 x 60mm		
To VIN J39905	XR82856	1
From VIN J39906	C2P7627	1
11. Bolt, M10 x 25mm	C2S45287	1
12. Spacer		
LHD, Auto	C2S13067	1



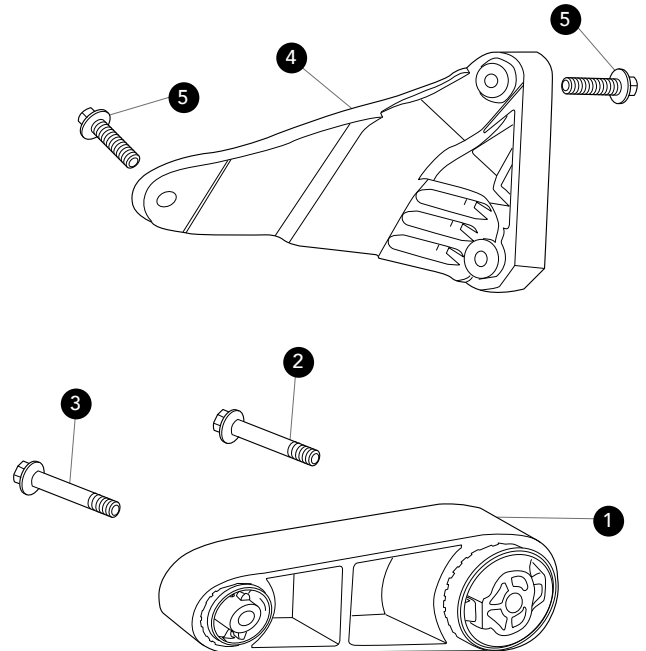
## MANUAL

1. Insulator		
All Wheel Drive	C2S4589	1
Front Wheel Drive	C2S22457	1
2. Housing for Gearbox Mounting Bracket	C2S22456	1
3. Gearbox Mounting Bracket		
2.2 Litre Diesel	C2S46693	1
All other Models	C2S46691	1
4. Nut, M10	C2S45731	4
5. Flange Nut, M14	C2S3276	1
6. Flange Headed Screw	C2S45757	4
7. Flange Headed Screw M12, Manual	C2S3267	1
8. Stud, Manual	C2S10497	2
9. Hexagonal Nut, M8, Manual	C2S3772	2
10. Spacer, Gearbox to Body		
To VIN J25629	C2S18568	1
From VIN J25630	C2S48359	1

# ENGINE V6 PETROL ROLL RESTRICTOR

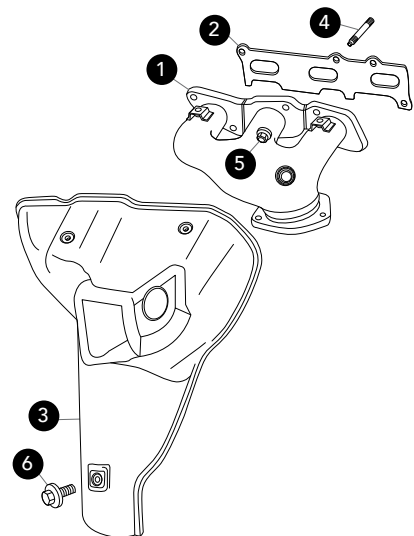
1. Restrictor		
2.0 Litre Petrol		
Violet	C2S38952	1
All other Petrol Engines		
Yellow	C2S38951	1
2.0 Litre Turbo Diesel		
Violet	C2S38952	1
2.2 Litre Turbo Diesel		
Automatic		
Brown	C2S47389	1
Manual		
Green	C2S41382	1
2. Bolt, M12 x 75mm	C2S1053	1
3. Flange Headed Bolt M12 x 65mm	C2S4590	1
4. Anti Twist Bracket		
2.0 Litre Petrol		
Automatic	C2S7229	1
Manual	C2S3260	1
2.0 Litre Turbo Diesel	C2S3260	1
2.2 Litre Turbo Diesel		
Automatic	C2S46816	1
Manual	C2S3260	1

5. Hexagon Headed Screw		
2.0 Litre Petrol	C2S20968	3



# ENGINE V6 PETROL EXHAUST MANIFOLDS

1. Exhaust Manifold		
LH B-Bank	XR81962	1
RH A-Bank	C2S4991	1
2. Exhaust Manifold Gasket	C2S33620	2
3. Exhaust Manifold Heatshield		
LH B-Bank	C2S42682	1
RH A-Bank	C2S42681	1
4. Cylinder Head Stud	XR811608	12
5. Flanged Nut, M8	XR820361	12
6. Flanged Screw, M6 x 12mm	XR822535	6

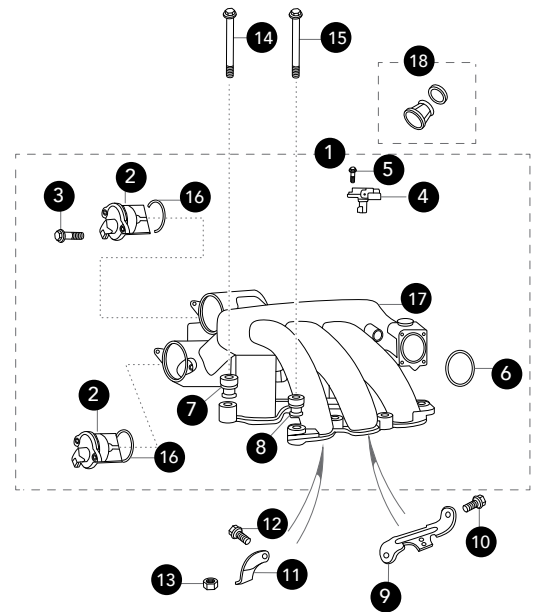
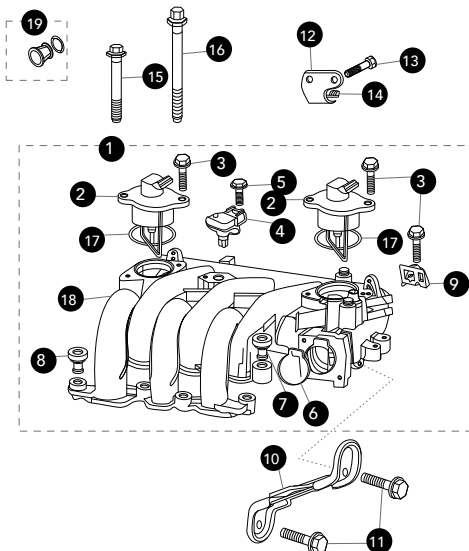




# ENGINE V6 PETROL INLET MANIFOLDS

## UPPER 2.0 LITRE

1. Inlet Manifold Assembly, Upper To VIN E19392	C2S24746	1
From VIN E19393	C2S35344	1
2. Control Valve	C2S42607	2
3. Hexagonal Head Flange Bolt M8 x 30mm	C2S19296	6
4. Map Sensor 2.0 Litre Petrol, 2 Hole Fixing To VIN E19392	AJ82763	1
From VIN E19393	C2C22616	1
5. Screw	AJ87995	2
6. Throttle Body Gasket	C2S14758	1
7. Mounting Isolator, Inner	C2S14725	2
8. Mounting Isolator, Upper	XR824849	4
9. Accelerator Cable Steady Bracket	C2S24749	1
10. Support Bracket	C2S10785	1
11. Flange Headed Screw	XR816262	2
12. Support Bracket	C2S18893	1
13. Flange Headed Screw	XR816262	1
14. Hexagonal Flange Nut, M5 To VIN D55321	XR81670	1
From VIN D55322	C2S26057	1
15. Flange Headed Bolt M6 x 47mm	XR839898	3
16. Flange Headed Bolt M6 x 94mm	C2S26060	3
17. Vacuum Seal	C2S40669	1
18. Induction Manifold	C2S42606	1
19. Brake Booster Vacuum Hose Connector Kit	C2S15816	1



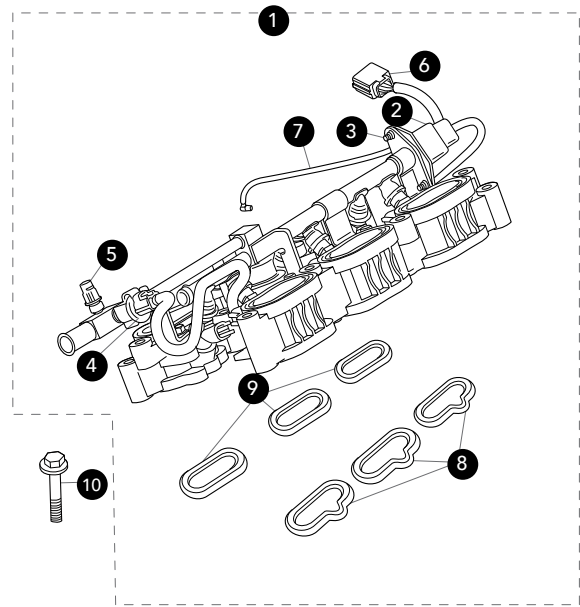
## UPPER 2.5 - 3.0 LITRE

1. Inlet Manifold	C2S14747	1
2. Control Valve	C2S42607	2
3. Hexagonal Head Flanged Nut M8 x 30mm	C2S19296	4
4. Map sensor 2 Hole Fixing	AJ82763	1
5. Screw	AJ87995	2
6. Throttle Body Gasket	XR819852	1
7. Mounting Isolator, Inner	C2S14725	2
8. Mounting Isolator, Upper	XR824849	4
9. Support Bracket	C2S10785	1
10. Flange Head Screw	XR816262	2
11. Support Bracket	C2S18893	1
12. Flange Head Screw	XR816262	1
13. Hexagonal Head Flanged Nut M5 To VIN D55321	XR81670	1
From VIN D55322	C2S26057	1
14. Flange Head Bolt, M6 x 47mm	XR839898	3
15. Flange Head Bolt, M6 x 94mm	C2S26060	3
16. Vacuum Seal	C2S40669	1
17. Brake Booster Vacuum Hose Connector Kit	C2S15816	1

# ENGINE V6 PETROL INLET MANIFOLDS

## LOWER

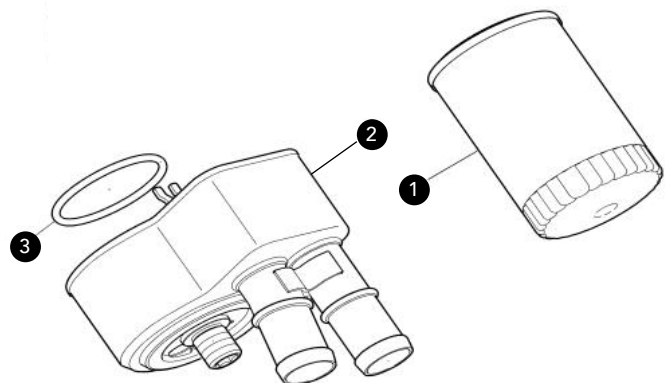
1. Inlet Manifold, Lower			
2.0 Litre Petrol	C2S49241	1	
All other Petrol Models	C2S44705	1	
2. Fuel Pressure Sensor	AJ87977	1	
3. Screw/Washer			
2.0 Litre Petrol, M6 x 20mm	XR853371	6	
All other Petrol Models			
M5 x 12mm	C2S24380	1	
4. Fuel Temperature Sensor	AJ810514	1	
5. Cap	XR85104	1	
6. Fuel Injector Harness			
2.0 Litre Petrol	C2S19289	1	
All other Petrol Models	C2S20888	1	
7. Vacuum Hose Assembly	C2S8870	1	
8. Inlet Manifold to Cylinder Head Gasket			
2.0 Litre Petrol	C2S12588	6	
All other Petrol Models	XR843533	6	



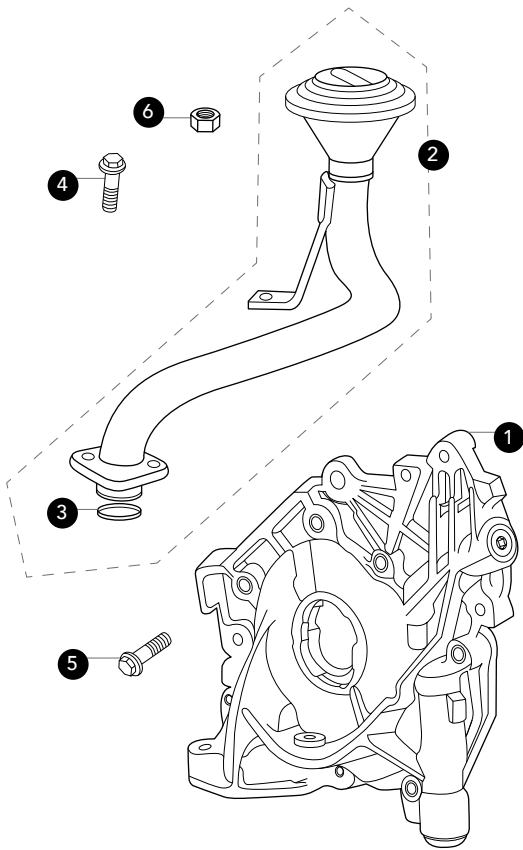
9. Inlet Manifold Gasket, Upper			
2.0 Litre Petrol	C2S19327	6	
All other Petrol Models	XR843536	6	
10. Flange Headed Bolt	XR839898	4	

# ENGINE V6 PETROL OIL FILTER & COOLER

1. Oil Filter	XR858593	1	
2. Oil Cooler	C2S18896	1	
3. Sealing Ring	JLM21003	1	



# ENGINE V6 PETROL OIL PUMP & PIPES

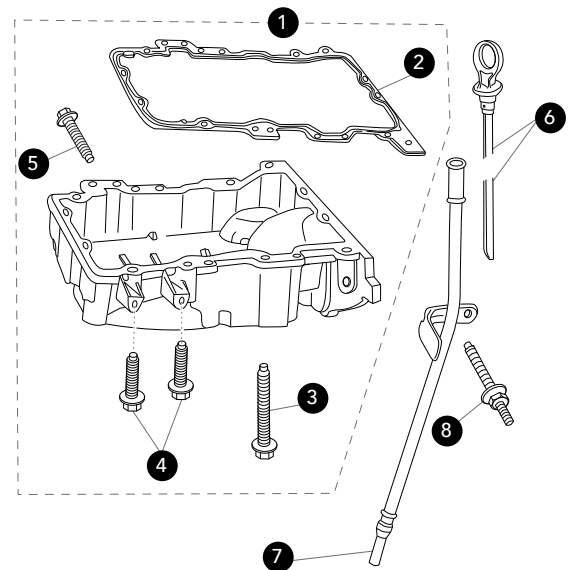


1. Oil Pump	AJ810678	1
2. Oil Pickup Pipe		
To Engine No. 194273***	C2S5492	1
From Engine No. 194274***	C2S16881	1
3. Oil Suction Pipe Gasket	XR85094	1
4. Flange Head Bolt, M6 x 22mm	XR85307	2
5. Bolt M8 x 30mm	XR811830	4
6. Nut & Washer	XR81543	1



# ENGINE V6 PETROL OIL SUMP & DIPSTICK

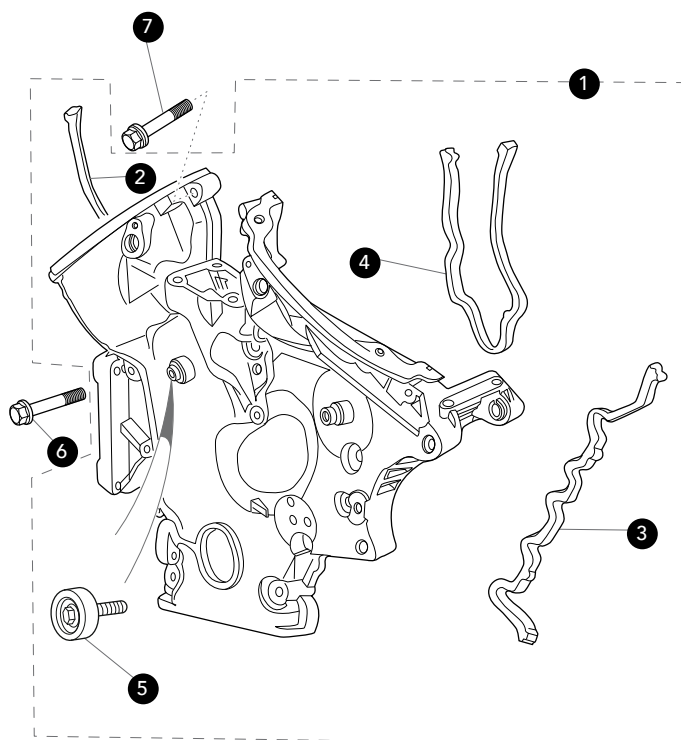
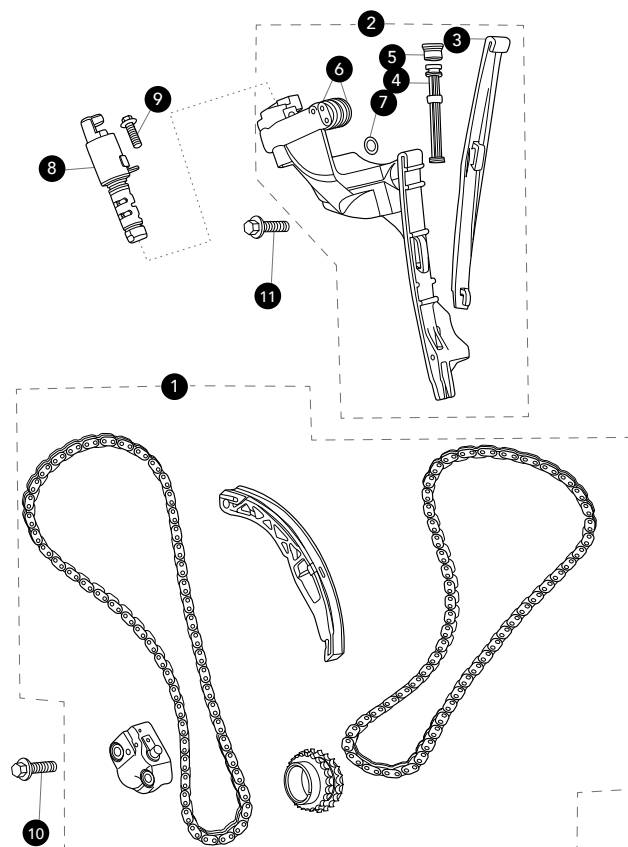
1. Engine Oil Sump Pan	C2S43269	1
2. Sump Gasket	C2S43270	1
3. Bolt & Washer M8 x 30mm	C2S32994	13
4. Bolt & Washer M8 x 68mm	C2S20877	2
5. Drain Plug	XR820128	1
6. Engine Oil Dipstick	C2S20878	1
7. Dipstick Location Tube	C2S42294	1
8. Stud	XR85421	1



# ENGINE V6 PETROL

## TIMING CHAINS

1. Timing Chain Kit	C2S46348	1
2. Solenoid Housing VVT		
LH B-Bank	C2C8280	1
RH A-Bank	C2C8277	1
3. Chain Guide	C2C8279	1
4. Oil Filter	C2C8282	1
5. Oil Filter Plug	C2C30955	1
6. Seal	C2C8281	2
7. O-Ring	C2C8278	1
8. Solenoid Valve VVT	AJ810570	2
9. Bolt, M6 x 16mm	C2S26049	2
10. Hexagonal Head Flange Bolt	XR85422	4
11. Bolt, M6 x 16mm		
LH B-Bank, M8 x 44mm	XR85422	2
LH B-Bank, M8 x 22mm	C2S6061	1
RH A-Bank, M8 x 26mm	XR85423	3

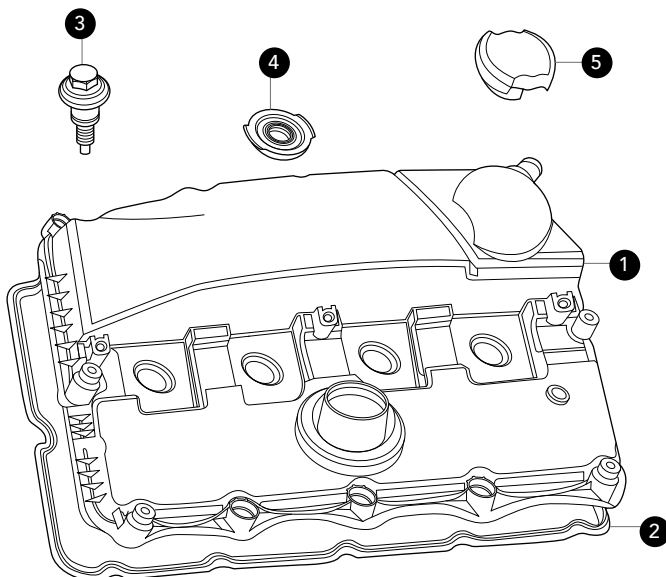
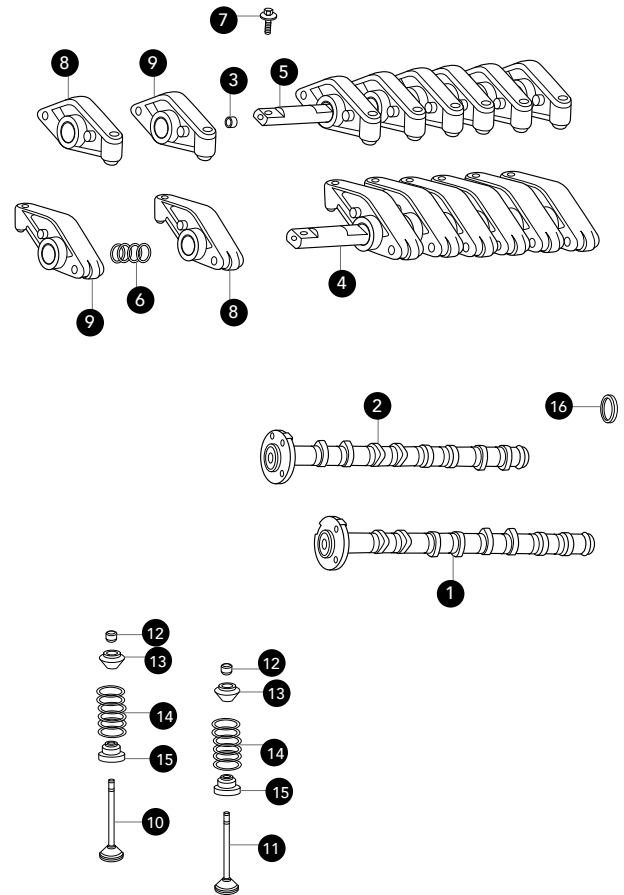


### TIMING COVER

1. Front Timing Cover	C2S44696	1
2. Timing Cover Gasket		
RH A-Bank	XR85358	1
3. Timing Cover Gasket		
LH B-Bank	XR85360	1
4. Timing Cover Gasket		
Centre	XR85359	1
5. Idler	C2S44699	1
6. Bolt, M8 x 47mm	C2S6056	12
7. Hexagonal Head Flange Bolt		
M8 x 50mm	C2S4963	4

## CAMSHAFT & VALVES

1. Inlet Camshaft	C2S40015	1
2. Exhaust Camshaft		
To VIN E18998	JDE18998	1
From VIN E18999	C2S40018	1
3. Plug	JDE1287	4
4. Rocker Arm Intake Shaft	C2S39974	1
5. Rocker Arm Exhaust Shaft	C2S39975	1
6. Inlet Rocker Spring	C2S41434	4
7. Flange Head Bolt	JD61246	5
8. Short Rocker Control Arm	JD61151	8
9. Long Rocker Control Arm	JD61098	8
10. Inlet Valve	JDE1582	8
11. Exhaust Valve	JDE4667	8
12. Valve Collet	JD61097	32
13. Valve Spring Retainer	JD61096	16
14. Valve Spring	JD61094	16
15. Valve Seal	C2S46933	16
16. Rear Camshaft Seal	JD61161	2



## CAMSHAFT COVER & GASKET

1. Camshaft Cover Assembly	JDE2522	1
2. Camshaft Cover Gasket	JDE1253	1
3. Camshaft Cover Bolt	JDE2523	12
4. Injector Seal	JDE1256	4
5. Oil Filler Cap	JDE1255	1

# ENGINE DIESEL

## PISTONS & CONNECTING RODS

### 1. Piston

2.0 Litre Turbo Diesel

ECS 17 - Stage 3

Grade A	JDE3889	4
Grade B	JDE3890	4
Grade C	JDE3891	4

ECS 23 - Stage 4

Grade A	JDE4115	4
Grade B	JDE4139	4
Grade C	JDE4140	4

2.2 Litre Turbo Diesel

Grade A	JDE12397	4
Grade B	JDE4255	4
Grade C	JDE4256	4

### 2. Spring Retainer

JDE1263	2
---------	---

### 3. Connecting Rod

Grade K	JDE4637	4
Grade L	JDE4641	4
Grade M	JDE4642	4

### 4. Connecting Rod Bearing

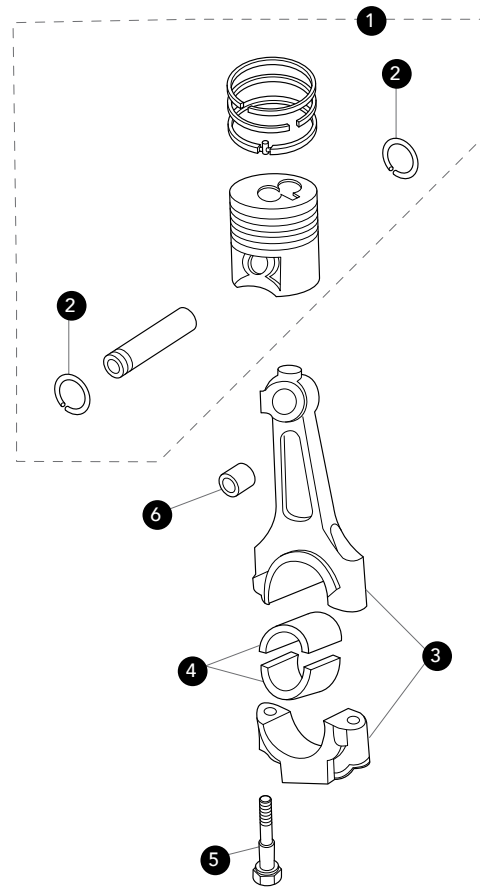
JDE33257	8
----------	---

### 5. Bolt

JD61075	8
---------	---

### 6. Bush

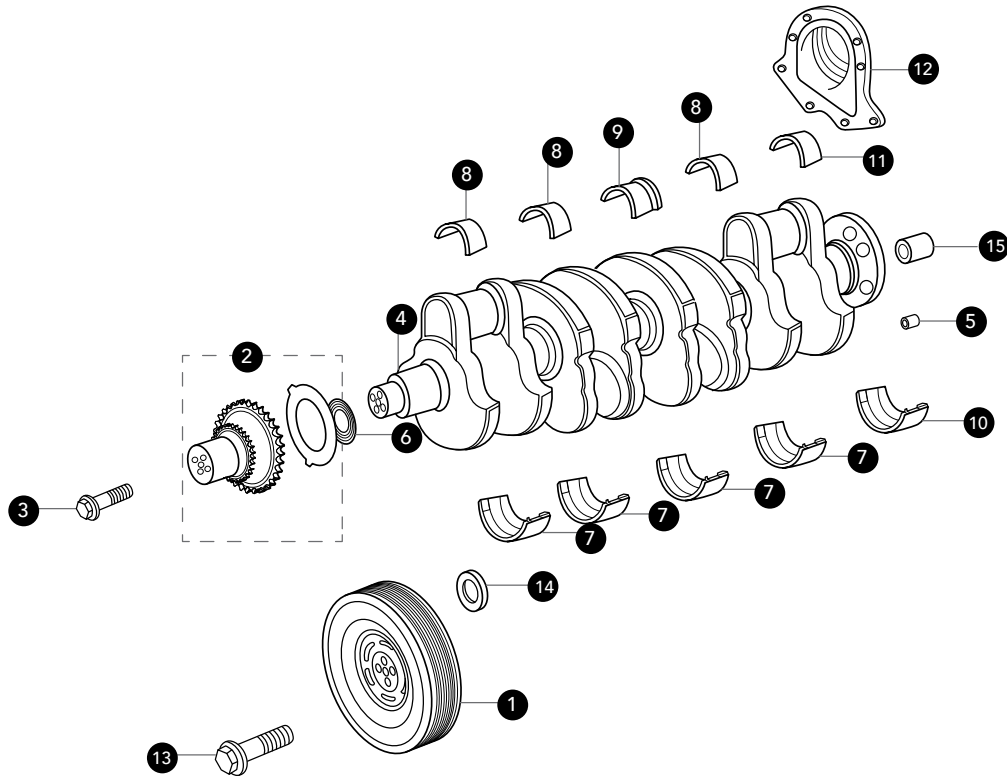
JD61072	4
---------	---



Contact Sales for Information on Engine & VIN Nos



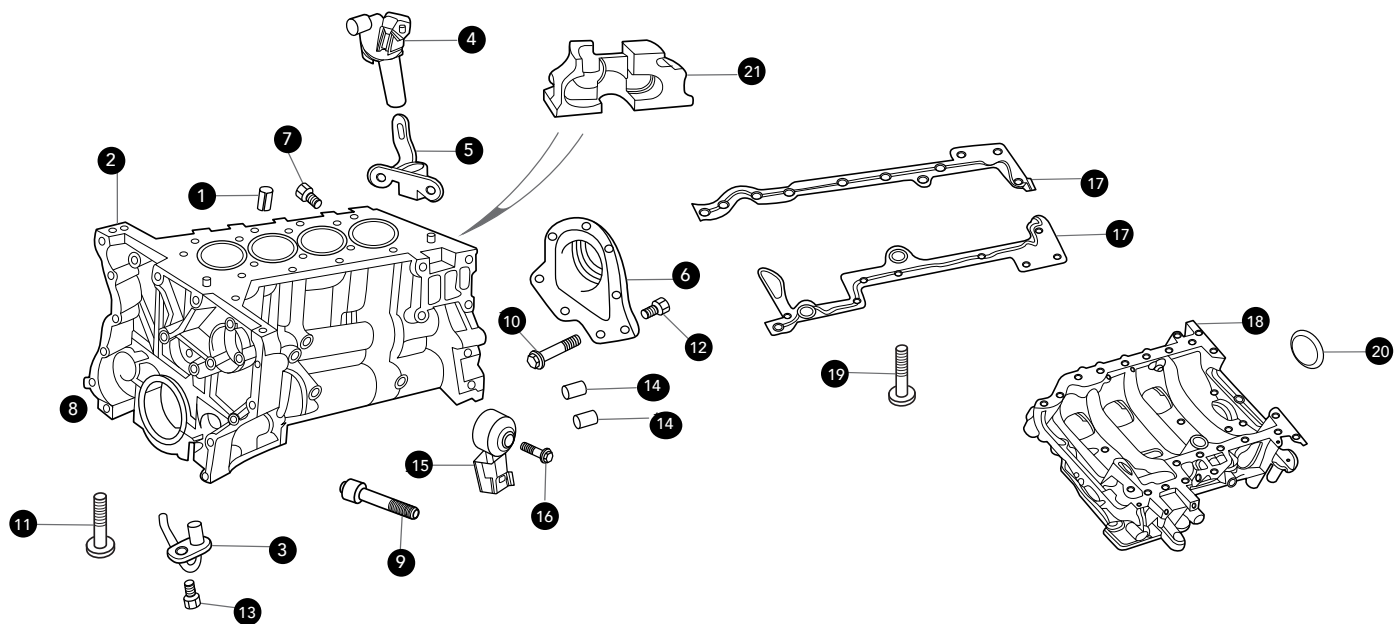
# ENGINE DIESEL CRANKSHAFT & PULLEY



1. Crankshaft Damper				9. Centre Upper Crankshaft Main Bearing			
2.0 Litre Turbo Diesel	JDE10108	1		Standard	JD61082	1	
2.2 Litre Turbo Diesel				0.25 Undersize	JDE2514	1	
Automatic	JDE4845	1		10. Rear Lower Crankshaft Main Bearing			
Manual	JDE10108	1		Standard	JD61171	1	
2. Crankshaft Sprocket	JD61080	1		0.25 Undersize	JDE2521	1	
3. Sprocket to Crankshaft Screw	JD61142	1		11. Rear Upper Crankshaft Main Bearing			
4. Crankshaft				Standard	JD61170	1	
2.0 Litre Turbo Diesel	JDE3204	1		0.25 Undersize	JDE2520	1	
2.2 Litre Turbo Diesel	C2S40859	1		12. Rear Crankshaft Oil Seal	JDE12872	1	
5. Pin Dowel	JD61241	1		13. Damper to Crankshaft Bolt	C2S44041	3	
6. Front Crankshaft Oil Seal	C2S52534	1		14. Foam Ring	C2S40441	1	
7. Lower Crankshaft Main Bearing				15. Crankshaft Support Bush			
Standard	JD61130	4		2.2 Litre Turbo Diesel			
0.25 Undersize	JDE2513	4		Automatic	C2S49492	1	
8. Upper Crankshaft Main Bearing							
Standard	JD61081	3					
0.25 Undersize	JDE2662	3					

# ENGINE DIESEL CYLINDER BLOCK

1. Bush	JD61688	2	14. Cylinder Block Dowel		
2. Cylinder Block			Gearbox to Engine	JDE2406	2
To VIN E97222	JD61000	1	Starter Motor	C2S30245	2
From VIN E97223	JDE3885	1	15. Knock Sensor	JD61212	1
3. Cooling Jet Valve	JD61157	4	16. Bolt		
4 Crankshaft Speed Sensor	JD61138	1	M8 x 30mm	XR838683	1
5. Retaining Plate	JD61042	1	17. Cylinder Block to	JD61284	1
6. Crankshaft Rear Oil Seal	JDE12872	1	Bedplate Sump Gasket		
7. Water Drain Plug	JDE1293	1	18. Stiffener		
8. Plug			Automatic	C2S49707	1
18mm x 6mm	JD61227	1	Manual	C2S36014	1
9. Blind Rivet	JZA100033	1	19. Bolt		
10. Blind Rivet			M8 x 115mm	JDE3981	6
16mm	JD61236	1	M8 x 35mm	AJ87383	3
11. Hexagon Head Bolt	JD61083	10	M8 x 80mm	JDE3988	13
12. Hexagon Head Bolt			20. Stiffener Plug		
M6 x 14mm	JD61140	8	Automatic	C2S48040	1
13. Torx Head Screw			21. Crankshaft Sensor Seal		
M6 x 10mm	JD61228	4	2.2 Litre Turbo Diesel		
			Automatic	C2S47415	1
			Manual	C2S30473	1

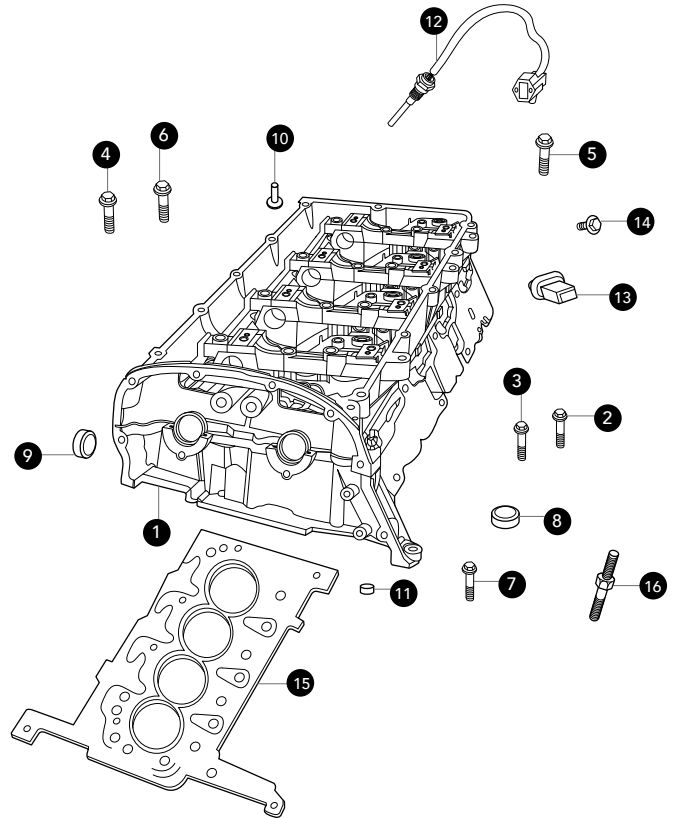




# ENGINE DIESEL CYLINDER HEAD

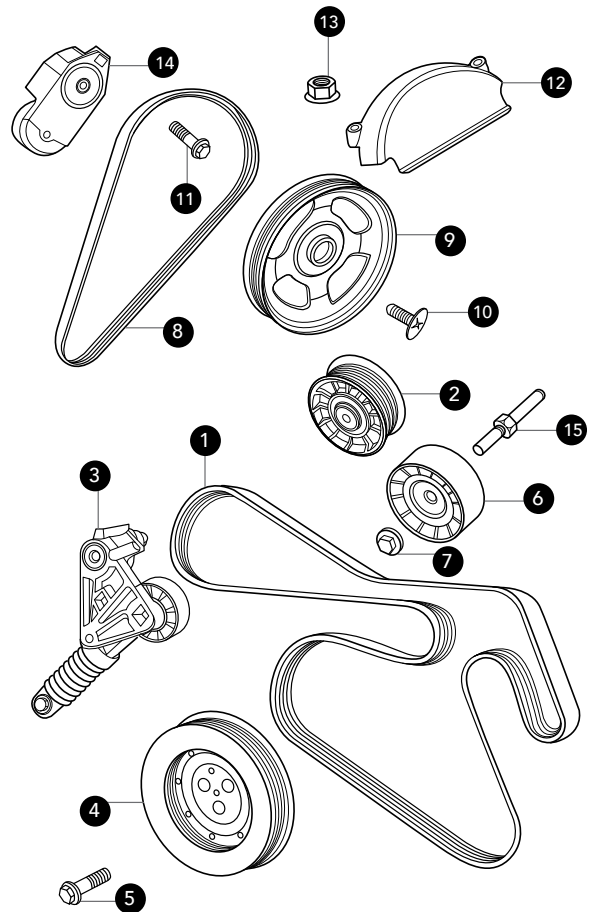
1. Cylinder Head			
With Valves	JDE3161	1	
2. Cylinder Head Bolt			
M10 x 160mm	JD61054	10	
3. Cylinder Head Bolt			
M8 x 120mm	JD61056	8	
4. Cylinder Head Bolt			
M8 x 161mm	JD61235	2	
5. Camshaft Cover to Cylinder Head Bolt			
M8 x 45mm	AJ88383	10	
6. Camshaft Carrier Bolt			
M6 x 40mm	XR837074	1	
7. Camshaft Carrier Bolt			
M6 x 30mm	C2S3608	1	
8. Core Plug			
22mm	C2S1904	1	
9. Core Plug			
25mm	JDE2483	1	
10. Plug	AJ82994	3	
11. Dowel	JDE1242	2	
12. Temperature Sensor	JDE10862	1	
13. Camshaft Position Sensor	JDE3763	1	
14. Bolt			
M6 x 16mm	JFS10616B	1	

15. Cylinder Head Gasket			
Grade 1	C2S40049	1	
Grade 2	C2S39982	1	
Grade 3	C2S40050	1	
16. Camshaft Carrier Stud			
M6 x 25mm - M6 x 40mm	JDE1247	1	

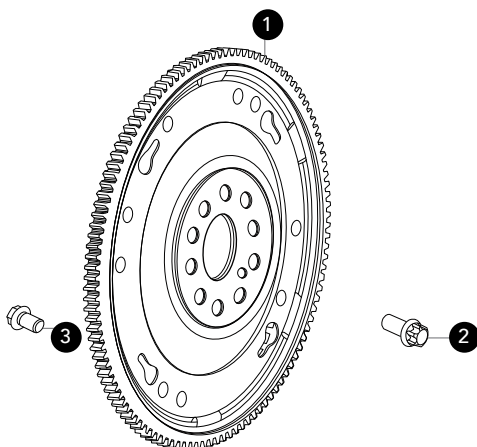


# ENGINE DIESEL DRIVE BELTS & PULLEYS

1. Compressor Drive Belt	C2S27001	1
2. Idler Assembly	C2S48896	1
3. Drive Belt Tensioner	C2S27002	1
4. Crankshaft Damper		
Automatic	JDE4845	1
Manual	JDE10108	1
5. Crankshaft to Pulley Bolt		
M12 x 8mm	C2S44041	3
6. Idler Pulley	C2S27004	1
7. Nut and Washer	JDE2558	1
8. Rear Accessory Engine Drive Belt	JD61137	1
9. Rear Auxiliary Drive Belt Pulley	C2S47231	1
10. Bolt		
M10 x 30mm	JD61233	1
11. Flange Head Bolt		
M8 x 55mm		
To VIN J04731	JD61218	1
From VIN J04732	C2G2131	1
12. Rear Accessory Drive Belt Cover	JDE4138	1
13. Nut		
M6	JFN10604B	1
14. Rear Drive Belt Tensioner	JD61125	1
15. Stud	C2S46821	1



# ENGINE DIESEL DRIVE PLATE & FLYWHEEL COVERS

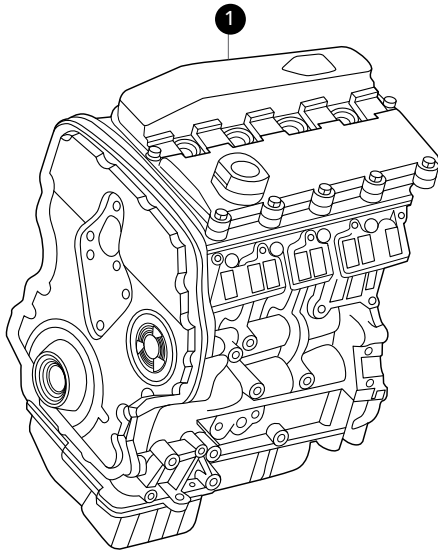


1. Drive Plate		
2.2 Litre Turbo Diesel		
Automatic	C2S48939	1
2. Drive Plate to Crankshaft Bolt		
2.2 Litre Turbo Diesel	JDE1923	8
3. Drive Plate to Torque Converter		
2.2 Litre Turbo Diesel		
M10 x 12mm	C2S47720	6

# ENGINE DIESEL

## ENGINE ASSEMBLY & MOUNTINGS

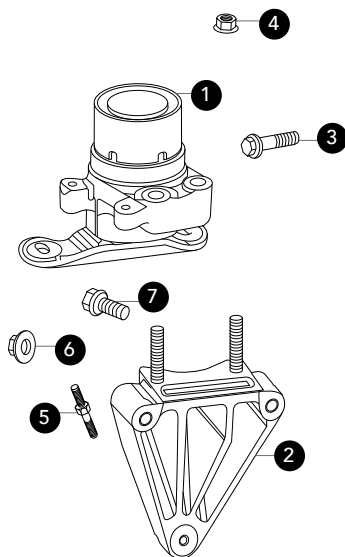
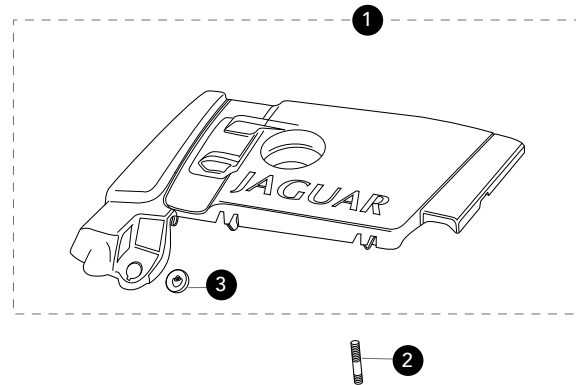
### ENGINE ASSEMBLY



1. Stripped Engine			
2.0 Litre Turbo Diesel			
ECS 17 - Stage 3			
New	C2S48666		1
Exchange	C2S48666E		1
ECS 23 - Stage 4			
New	C2S48665		1
Exchange	C2S48665E		1
2.2 Litre Turbo Diesel			
Automatic	C2S49296E		1
Manual			
New	C2S48667		1
Exchange	C2S48667E		1

### ENGINE COVER

1. Engine Cover	C2S44577	1
2. Cover to Engine Mounting	JD61244	1
3. Rubber Grommet		
To VIN D77742	C2S26963	1



### FRONT ENGINE MOUNTINGS

1. Support Bracket RH			
2.0 Litre Turbo Diesel	C2S46678		1
2.2 Litre Turbo Diesel	C2S46679		1
2. Engine Mounting	JDE8072		1
3. Bracket to Body Bolt and Washer			
M12 x 35mm	C2S31220		2
4. Engine Mounting to Body Nut			
M12	C2S32312		2
5. Stud	C2S46821		1
6. Nut and Washer	JDE2558		1
7. Bracket to Timing Cover Bolt	JDE3976		2

# ENGINE DIESEL EXHAUST MANIFOLDS

## 1. Turbocharger

2.0 Litre Turbo Diesel

Electronic Operated Actuator

New JDE11405 1

Exchange JDE11405E 1

Vacuum Operated Actuator

New JDE4957 1

Exchange JDE4957E 1

2.2 Litre Turbo Diesel

New C2S51563 1

Exchange C2S51563E 1

## 2. Exhaust Manifold Gasket

ECS 17 - Stage 3

2.0 Litre Turbo Diesel JDE4277 1

All Other JDE4170 1

## 3. Flange Head Bolt

M10 x 42mm JD61240 5

## 4. Flange Nut

M10 JD61224 2

## 5. Engine Block to Manifold Stud

M10 x 15mm - M10 x 38mm JDE3985 2

## 6. Engine Block to Manifold Anchor Stud

M6 x 16mm - M10 x 42mm C2S46865 1

## 7. Turbocharger Oil Return Pipe

JD61153 1

## 8. Oil Pipe Gasket

JDE3113 1

## 9. Screw

M6 x 14mm C2S22536 2

## 10. Bolt

M6 x 16mm JFS10616B 1

## 11. Turbocharger Oil Pipe

JDE8254 1

## 12. Flange Head Screw

C2N1272 1

## 13. Bolt

M6 x 40mm C2S12747 1

## 14. Heatshield

To VIN E97679 C2S27014 1

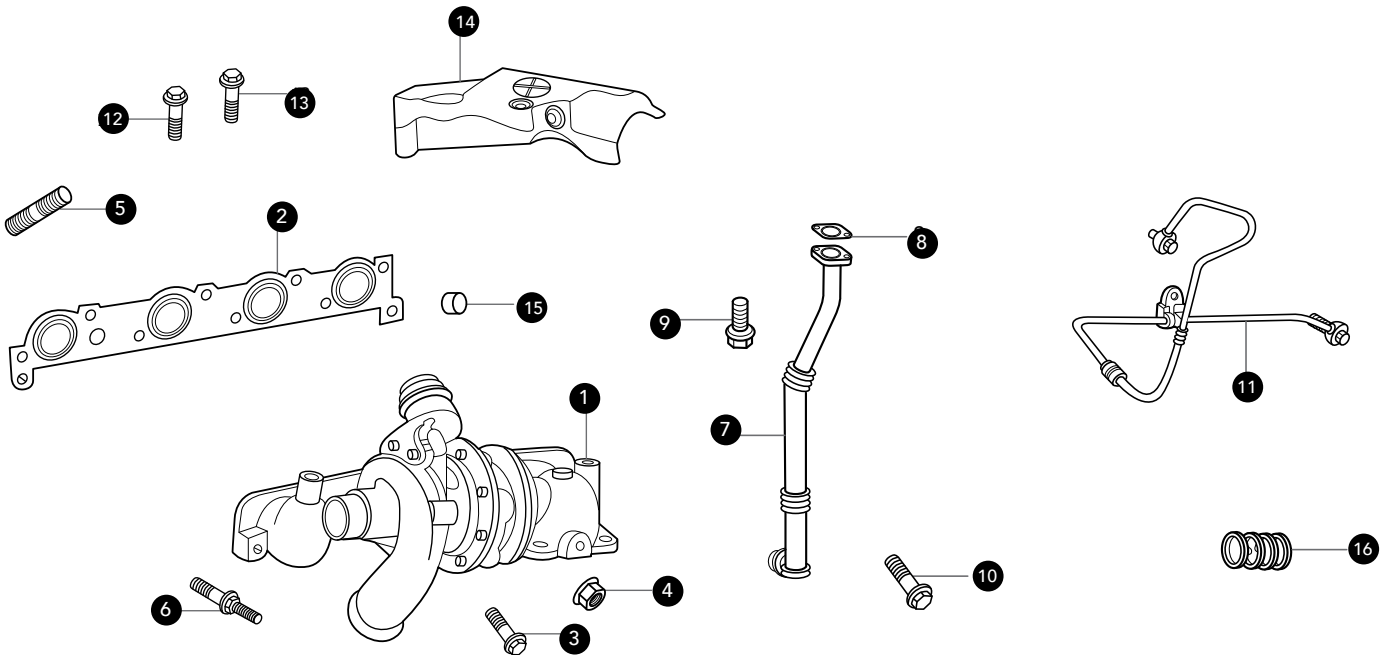
From VIN E97680 C2S44623 1

## 15. Plastic Spacer

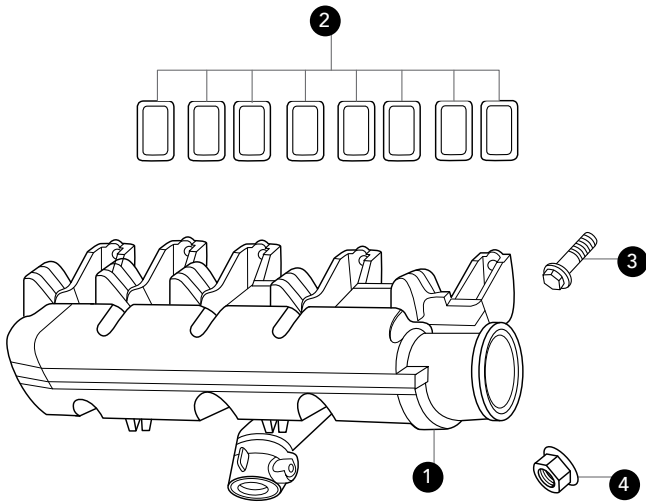
JD61229 1

## 16. Turbo to Manifold Collar

C2S44655 1



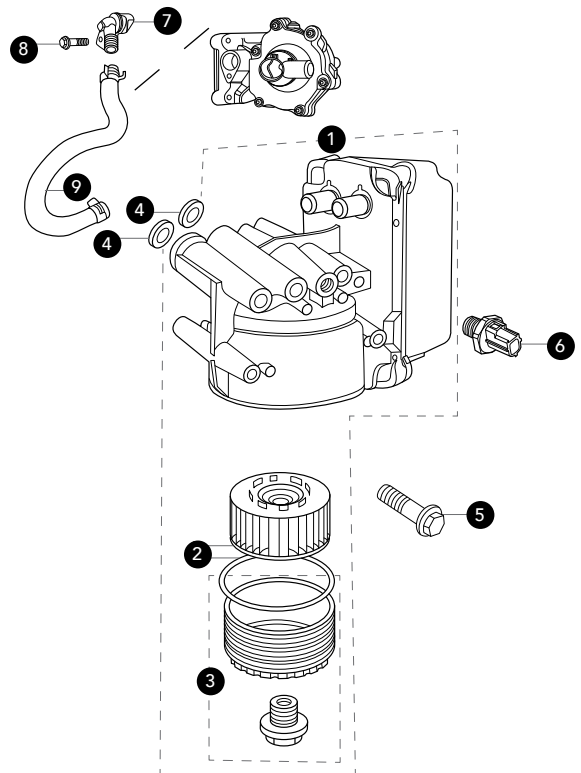
# ENGINE DIESEL INLET MANIFOLDS



1. Inlet Manifold	JDE12012	1
2. Inlet Manifold Seal	JDE2505	8
3. Hexagonal Head Flanged Bolt	JDE2506	9
4. Flange Nut		
M6	JD61223	2

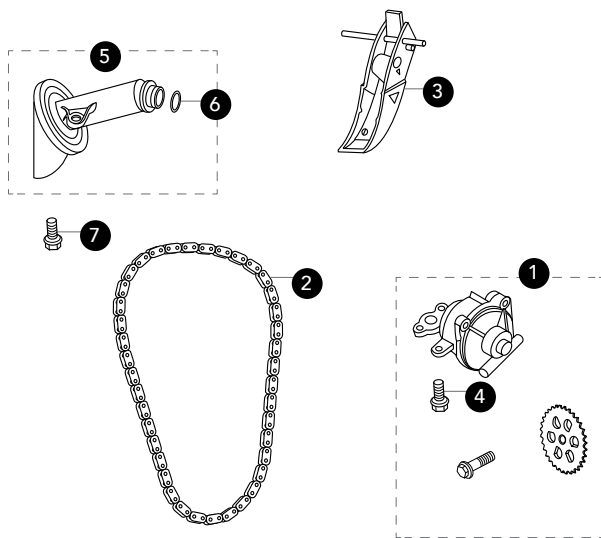
# ENGINE DIESEL OIL FILTER & COOLER

1. Oil Cooler	C2S48037	1
2. Oil Filter Element	JDE2464	1
3. Cap	JDE1274	1
4. Seal		
From VIN J10831	JD61163	1
Other Option	JD61163	2
5. Flange Head Bolt		
M8 x 115mm	JD61234	4
6. Oil Pressure Switch	C2S41414	1
7. Thermostat	JD61162	1
8. Screw		
M6 x 25mm	C2Z1354	1
9. Oil Cooler Hose	JS61176	1



# ENGINE DIESEL

## OIL PUMP & PIPES

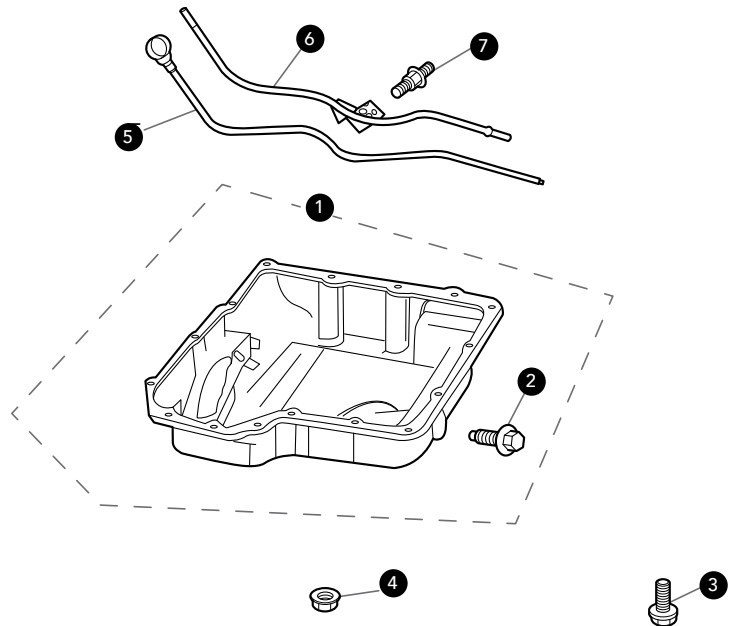


1. Oil Pump	JD61101	1
2. Oil Pump Chain	JD61287	1
3. Timing Chain Tensioner	C2C36019	1
4. Screw M6 x 25mm	C2Z1354	1
5. Oil Pick Up Tube	JD61103	1
6. O-Ring	JDE1289	1
7. Bolt M6 x 20mm	AJ89714	2

# ENGINE DIESEL

## OIL SUMP & DIPSTICK

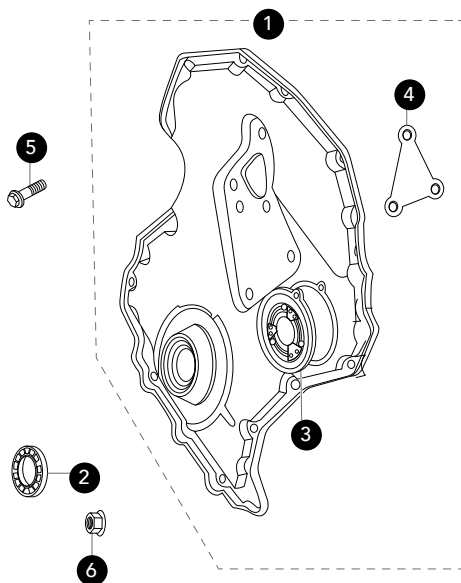
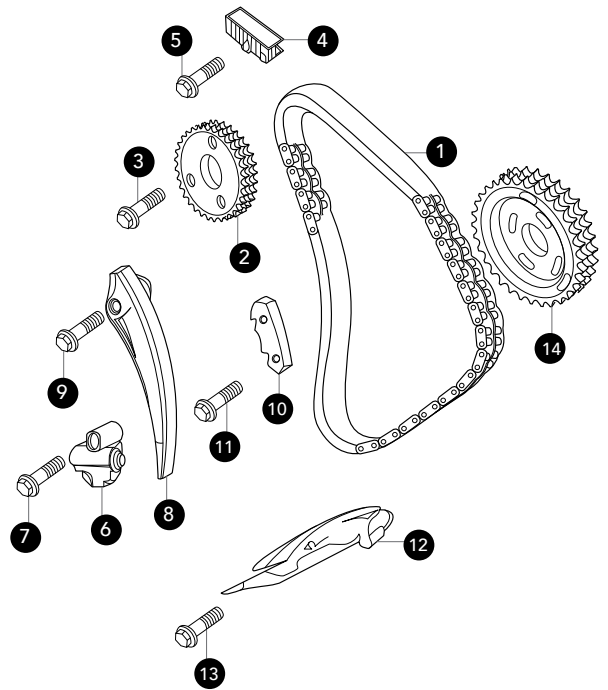
1. Oil Sump Pan	C2C40263	1
2. Drain Plug	AJ83017	1
3. Flange Head Screw M6 x 16mm	JDE1285	11
4. Flange Nut M6	C2S24792	5
5. Engine Oil Dipstick	C2S44624	1
6. Dipstick Tube To VIN D55321	JDE1925	1
From VIN D55322		
Except Diesel Particulate Filter	JDE2735	1
From Vin J04731		
2.2 Litre Turbo Diesel		
Diesel Particulate Filter	C2S48683	1
7. Flange Screw M8 x 16mm	JD61230	1



# ENGINE DIESEL TIMING CHAINS

1. Timing Chain	JD61077	1
2. Camshaft Sprocket	C2S40037	2
3. Flange Head Bolt		
M8 x 16mm	JD61078	6
4. Primary Top Drive Chain Guide	JD61166	1
5. Flange Head Bolt		
M6 x 30mm	JD61220	2
6. Timing Chain Tensioner		
2.0 Litre Turbo Diesel		
To Engine 20E040702	C2S44673	1
<b>N.B C2S34480 Chain Guide is also required</b>		
From Engine 20E040703	C2S44673	1
2.2 Litre Turbo Diesel	C2S44673	1
7. Flange Head Bolt		
M6 x 50mm	JFC106106	2
8. Chain Guide		
2.0 Litre Turbo Diesel		
To Engine 20E040702	C2S34480	1
<b>N.B C2S44673 Chain Tensioner is also required</b>		
From Engine 20E040703	C2S34480	1
2.2 Litre Turbo Diesel	C2S34480	1
9. Flange Head Bolt		
M6 x 50mm	JFC106106	2

10. LH Upper Chain Guide	JD61167	1
11. Flange Head Bolt		
M6 x 30mm	JD61220	2
12. LH Lower Chain Guide	JD61291	1
13. Flange Head Bolt		
M6 x 50mm	JFC106106	2
14. Injector Pump Sprocket	JDE3901	1



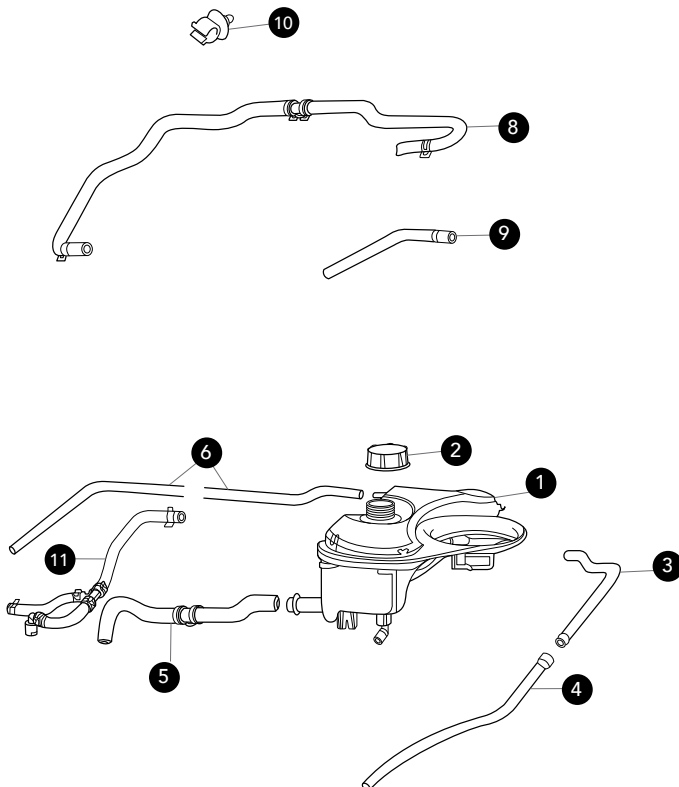
## TIMING COVER

1. Engine Cover	JD61040	1
2. Front Crankshaft Oil Seal	C2S52534	1
3. Cover	JDE1260	1
4. Blanking Plate Gasket	JD61158	1
5. Flange Head Screw		
M6 x 16mm	JDE1285	20
6. Nut		
M6	JFN10604B	20

# COOLING SYSTEM

## EXPANSION TANK

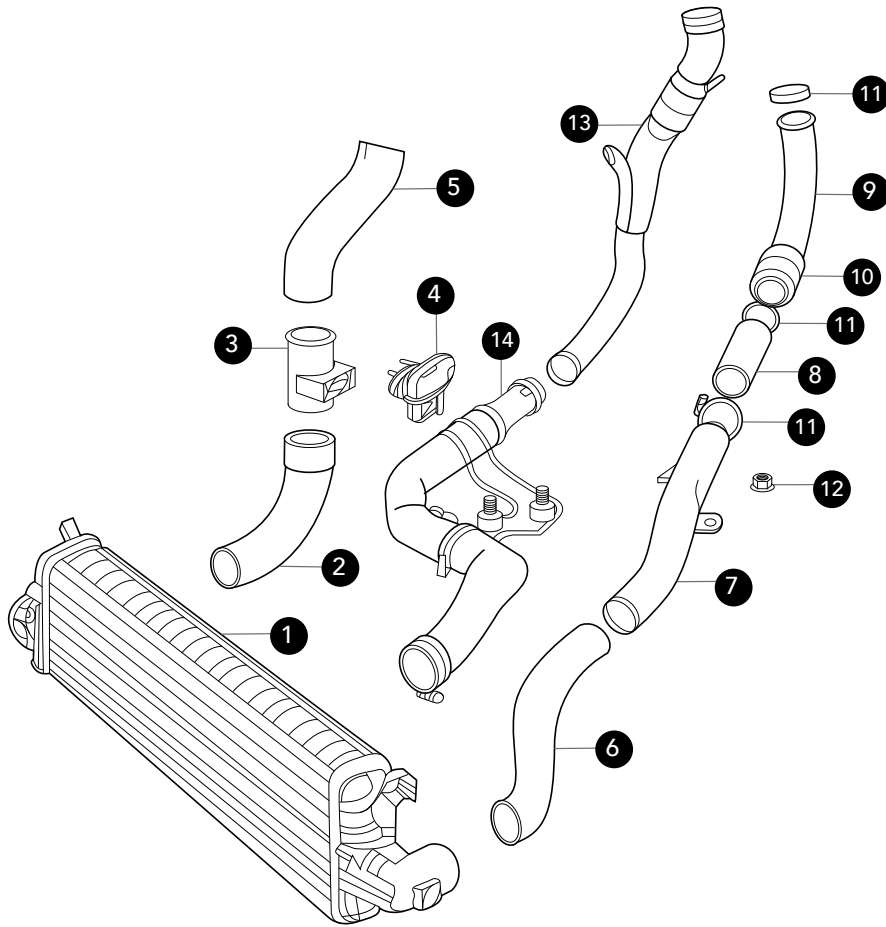
1. Expansion Tank	C2S46861	1
2. Pressure Cap		
1.0 Bar	MJA4440BA	1
3. Coolant Bleed Hose		
Pipe to Expansion Tank	C2S16875	1
4. Coolant Bleed Hose		
Pipe to Radiator	C2S9554	1
5. Coolant Return Hose		
Diesel	C2S27219	1
Petrol	C2S23485	1
6. Vent Pipe		
2.5 Litre petrol	C2S23486	1
3.0 Litre Petrol	C2S23486	1



7. Paint Clearing Screw		
M6 x 12mm	C2S13261	1
8. Engine to Manifold Water Hose		
2.0 Litre Petrol	C2S20884	1
9. Manifold to Expansion Tank Water Hose		
2.0 Litre Petrol	C2S13360	1
10. Arrow Head Pipe Clip		
2.0 Litre Petrol	KDF114003	2
11. Vent Pipe		
Diesel	C2S46929	1



# COOLING SYSTEM INTERCOOLER & DUCTING



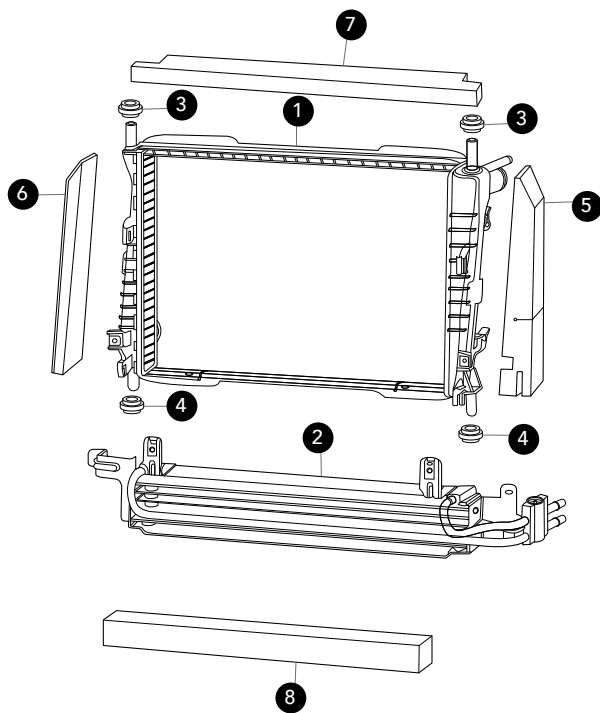
1. Charge Air Cooler	JLM21933	1	8. Hose		
2. Hose	C2S26988	1	To VIN E96716	C2S26984	1
3. Tube	C2S26987	1	From VIN E96717	C2S44061	1
4. MAP Sensor			9. Hose		
To VIN E43463			To VIN E96716	C2S26983	1
2.0 Litre Turbo Diesel			From VIN E96717	C2S44060	1
2.5 Bar	AJ82719	1	10. Hose	C2S44062	1
From VIN E43464			11. Hose Clamp		
3 Bar	JD61647	1	32mm - 50mm	C2S26989	4
5. Hose			12. Flange Nut		
Diesel Particulate Filter			M8	JFN108047	1
2.2 Litre Turbo Diesel	C2S51689	1	13. Air Tube		
All Other	C2S26986	1	2.2 Litre Turbo Diesel	C2S43265	1
6. Hose	C2S26981	1	14. Hose		
7. Tube	C2S26982	1	2.2 Litre Turbo Diesel	C2S47101	1

# COOLING SYSTEM

## RADIATOR

### RADIATOR - PETROL

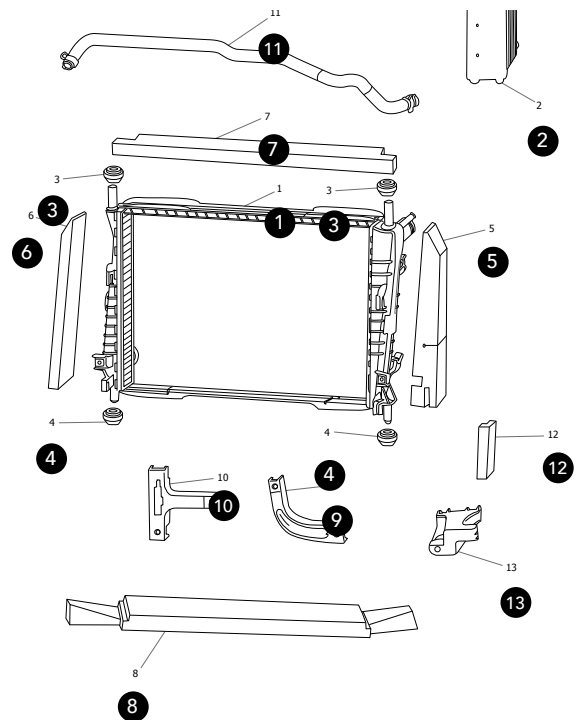
1. Radiator	C2S42756	1
2. Automatic Gearbox Oil Cooler	C2S16262	1
3. Top Radiator Mounting Rubber	C2S2685	2
4. Bottom Radiator Mounting Rubber	C2S4405	2
5. Radiator Seal LH	C2S17717	1
6. Radiator Seal RH	C2S17718	1
7. Upper Radiator Seal	C2S20552	1
8. Lower Radiator Seal	C2S5313	1



### RADIATOR - DIESEL

1. Radiator		
2.0 Litre Turbo Diesel	C2S42756	1
2.2 Litre Turbo Diesel		
Automatic	C2S50633	1
Manual	C2S42756	1
2. Automatic Gearbox Oil Cooler		
2.2 Litre Turbo Diesel	C2S50636	1

3. Top Radiator Mounting Rubber	C2S2685	2
4. Bottom Radiator Mounting Rubber	C2S4405	2
5. Radiator Seal RH		
To VIN J39905	C2S32175	1
From VIN J39906	C2S50638	1
6. Radiator Seal LH	C2S32176	1
7. Upper Radiator Seal		
To VIN J39905	C2S20552	1
From VIN J39906	C2S50637	1
8. Lower Radiator Seal	C2S32177	1
9. PAS Cooler Bracket LH	C2S31665	1
10. PAS Cooler Bracket RH		
To VIN J39905	C2S31666	1
From VIN J39906	C2S50634	1
11. Hose		
Automatic		
From VIN J39906	C2S49897	1
12. Seal		
Automatic	C2S50639	1
13. Bracket		
Automatic	C2S50640	1



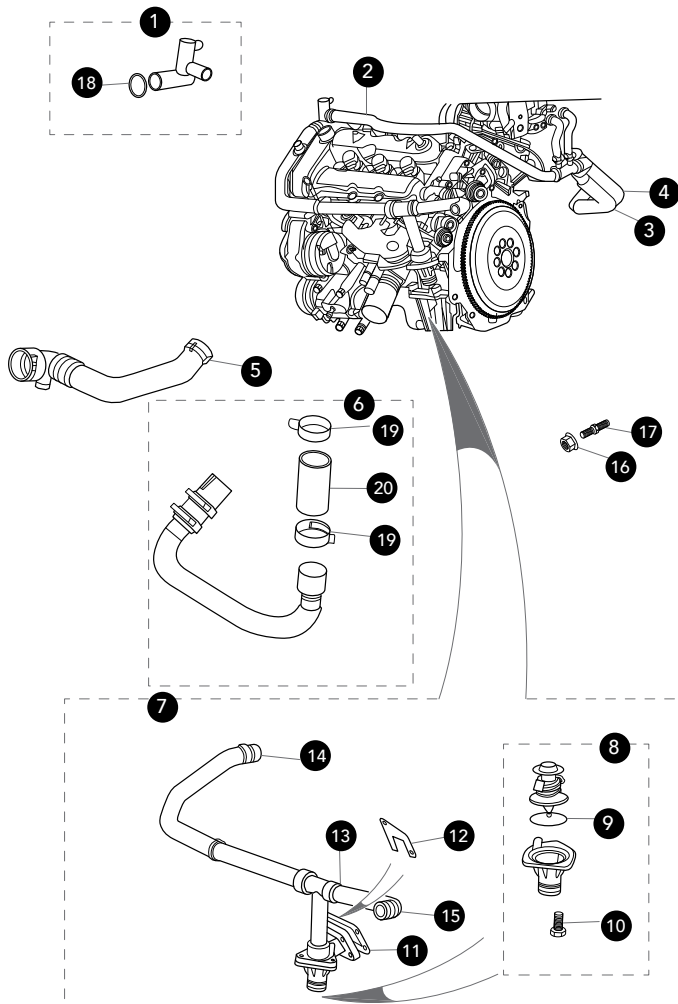
# COOLING SYSTEM

## RADIATOR HOSES

### RADIATOR HOSES - PETROL

1. Outlet Water Hose	C2S16877	1
2. Inlet Heater Tube		
2.0 Litre Petrol	C2S21747	1
All Other Petrol Models	C2S16876	1
3. Inlet Heater Hose		
LHD	C2S14031	1
RHD	C2S14033	1

4. Outlet Heater Hose		
LHD	C2S5378	1
RHD	C2S2737	1
5. Bottom Hose	C2S5369	1
6. Oil Cooler Outlet Hose	C2S30225	1
7. Radiator Top Hose		
Incorporating Thermostat	C2S43430	1
8. Thermostat	C2S11278	1
9. Thermostat Housing to Cylinder Head Seal	NCA2269CA	1
10. Bolt		
M6 x 20mm	AJ89714	3
11. Thermostat Seal	C2S11282	1
12. Reinforcement Plate	C2S17584	1
13. Hose Clamp		
VIN C20354 to VIN C96160	C2S19410	1
14. Hose Clamp	C2S19409	1
15. Hose Clamp	JHC302260	1
16. Nut		
M8		
VIN E81820 to VIN J19281	JFN10804B	2
From VIN J19282	C2Z1312	2
17. Thermostat Housing Stud	C2S19280	2
18. O-Ring	C2S22458	1
19. Hose Clamp		
From VIN D35451	XR849086	2
20. Hose	C2S40953	1

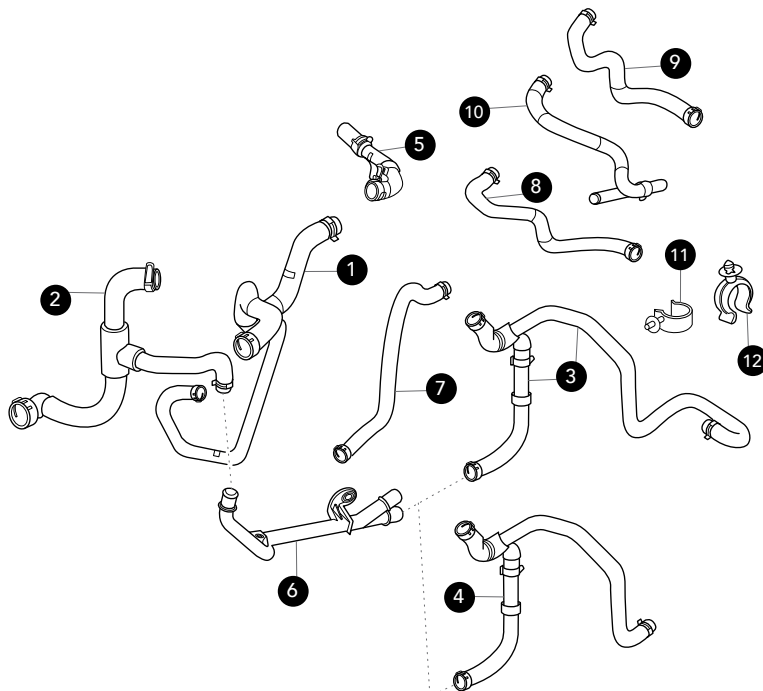


# COOLING SYSTEM

## RADIATOR HOSES

### RADIATOR HOSES - DIESEL

1. Radiator Top Hose	C2S47998	1	7. Heater Outlet Hose		
2. Bottom Hose			To VIN J39905	Contact Sales	
Automatic	C2S51101	1	From VIN J39906	C2S46947	1
Manual	C2S35838	1	8. Heater Hose		
3. Water Hose			LHD		
Electrically Driven Heater			Electrically Driven Heater		
2.0 Litre Turbo Diesel	C2S27648	1	Outlet - Auxiliary Heater		
2.2 Litre Turbo Diesel			2.0 Litre Turbo Diesel	C2S27226	1
To VIN J39905	Call Sales	1	2.2 Litre Turbo Diesel	C2S40784	1
From VIN J39906	C2S46945	1	9. Heater Hose		
4. Water Hose			2.0 Litre Turbo Diesel		
Fuel Fired Heater			RHD		
2.0 Litre Turbo Diesel	C2S27649	1	Electrically Driven Heater		
2.2 Litre Turbo Diesel			Outlet - Auxiliary Heater	C2S27651	1
To VIN J39905	Contact Sales	1	10. Heater Hose		
From VIN J39906	C2S46946	1	Fuel Fired Heater		
5. EGR Coolant Inlet Hose			Outlet - Auxiliary Heater	C2S40783	1
2.0 Litre Turbo Diesel	C2S27877	1	11. Swivel Pipe Clip	C2S41108	2
6. Heater Return Hose	C2S27222	1	12. Swivel Pipe Clip	C2S30247	1



# COOLING SYSTEM

## RADIATOR FAN & COWL

### 1. Fan, Cowl and Motor

To VIN E71957                      C2S49717                      1

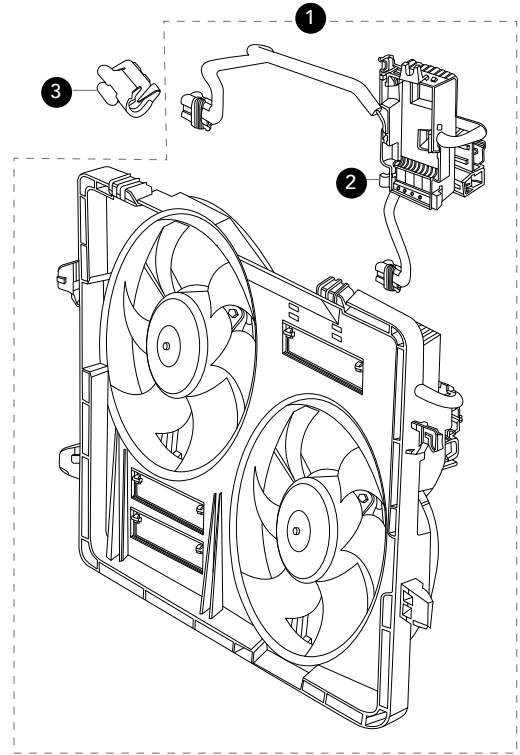
**N.B. C2S46951 Link Lead is also required**

From VIN E71958                      C2S49717                      1

### 2. Fan Module

**Only available as part of item 1**

3. Retainer Clip                      C2S17736                      1

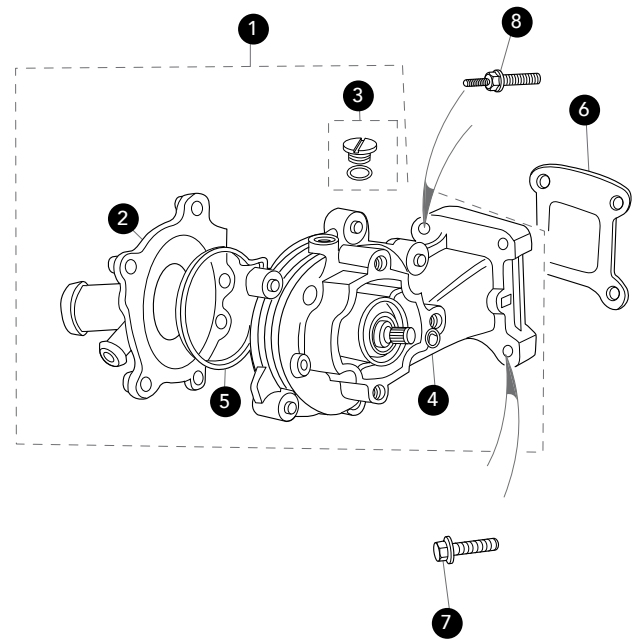
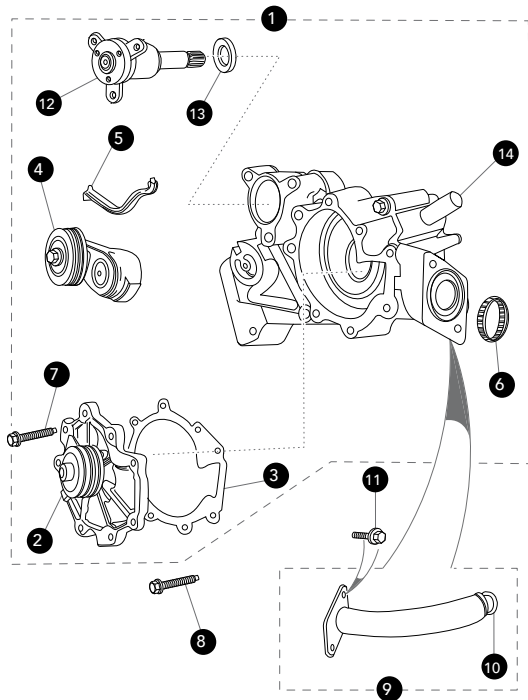


# COOLING SYSTEM

## WATER PUMP

### WATER PUMP - PETROL

1. Rear Auxiliary Drive Assembly	C2S43294	1
2. Water Pump	C2S43292	1
3. Water Pump Gasket	C2S13730	1
4. Drive Belt Tensioner	C2S43295	1
5. Camshaft Gasket	C2S5111	1
6. Water inlet Spout Gasket	XR85431	1
7. Bolt		
M8 x 30mm		
To VIN C45360	XR811830	9
M6 x 30mm		
VIN C45361 to Engine 503014***	JFP10606B	9
From Engine 503015***	C2S43296	9
8. Hexagonal Head Flanged Bolt	C2S6232	3
9. Water Pipe		
Water Pump to Pipe	C2S18895	1
10. Water Outlet Seal	C2S5121	1
11. Bolt		
M6 x 20mm	AJ89714	2
12. Bearing Assembly		
Only available as item 1		
13. Oil Seal	C2S37798	1
14. Water Pump Housing		
Only available as item 1		



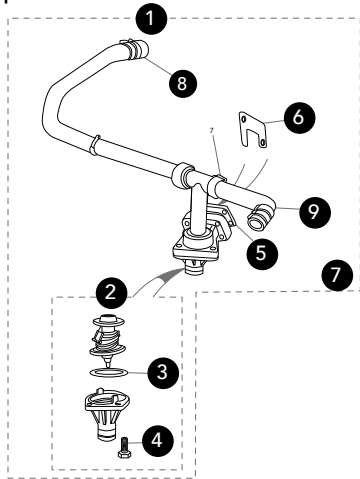
### WATER PUMP - DIESEL

1. Water Pump	C2S48033	1
2. Inlet Water Pump Housing	C2S40054	1
3. Screw		
M8 x 12mm		
To VIN J16618	JDE1290	1
From VIN J16619	C2S48036	1
4. Seal	JD61237	1
5. Water Pump Gasket	JD61172	1
6. Water Pump to Block Gasket	JD61110	1
7. Water Pump to Block Screw		
To VIN D88175	JFS10830B	3
From VIN D88176	C2C21629	3
8. Water Pump to Block Screw		
M8 x 30mm	JDE1288	1

# COOLING SYSTEM THERMOSTAT

## THERMOSTAT - PETROL

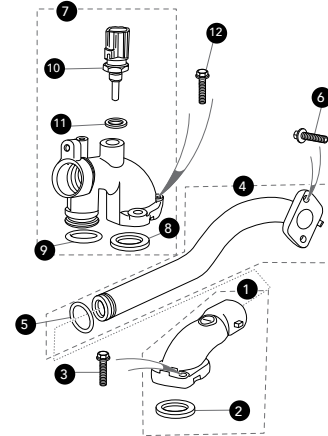
1. Radiator Top Hose	C2S43430	1
2. Thermostat	C2S11278	1
3. Thermostat Housing to Cylinder Head Seal	NCA2269CA	1
4. Bolt		
M6 x 20mm		
To VIN C20353	AJ89714	3
5. Thermostat Seal	C2S11282	1
6. Reinforcement Plate	C2S17584	1
7. Hose Clamp		
VIN C20354 to VIN C96160	C2S19410	1
8. Hose Clamp	C2S19409	1
9. Hose Clamp	JHC302260	1



## WATER INLET & BYPASS TUBE- PETROL

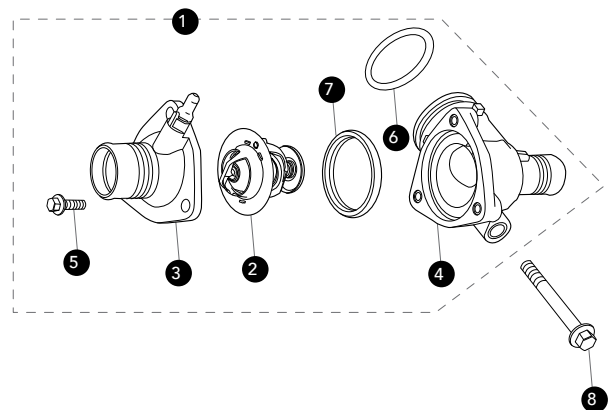
1. Cylinder Block Water Inlet Spout	AJ85555	1
2. Water Inlet Spout Gasket	XR85431	1
3. Clamp Screw		
From VIN D86655	AJ85846	2
4. Water Pipe		
Water Pump to Pipe	C2S18895	1
5. Water Outlet Seal	C2S5121	1
6. Bolt, M6 x 20mm	AJ89714	2
7. Water Bypass Pipe	C2S49770	1
8. Water Outlet Seal	XR85353	1
9. Hose to Cylinder Block Sealing Ring	XR85356	1

10. Coolant Temperature Sender	LNA1600AA	1
11. Sealing Washer	XR819872	1
12. Hexagonal Head Flanged Bolt		
M6 x 30mm		
To VIN E51930	XR85419	2
From VIN E51931	XR827995	2



## THERMOSTAT & WATER OUTLET - DIESEL

1. Thermostat Housing	JDE4149	1
2. Thermostat	JDE1275	1
3. Connector		
Only available as item 1		
4. Thermostat Housing		
Only available as item 1		
5. Bolt		
M6 x 20mm		
To VIN E46913	AJ89714	3
6. Sealing Ring	JD61245	1
7. Sealing Ring	JDE1292	1
8. Flange Head Bolt		
M8 x 70mm	C2S40512	1

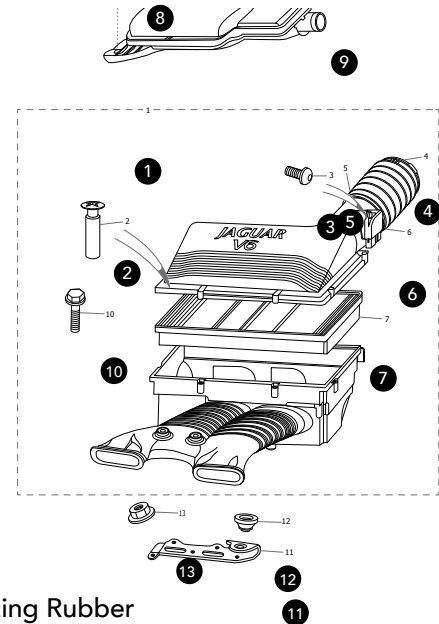


# AIR & FUEL DELIVERY

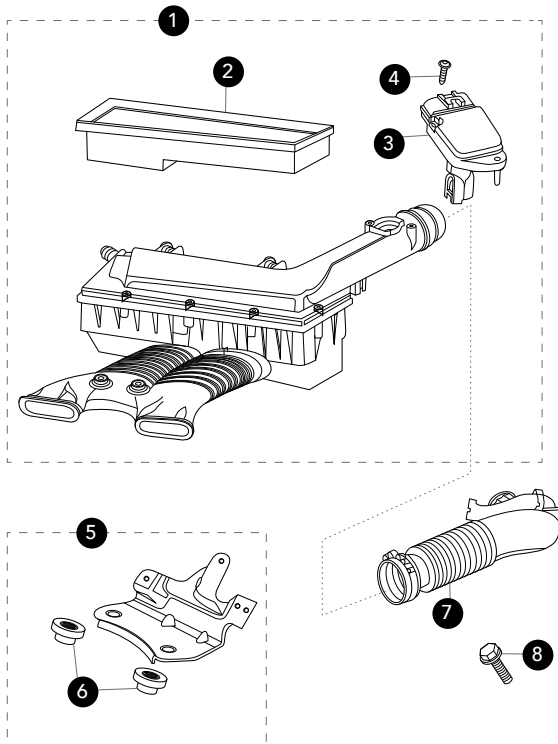
## AIR CLEANER

### AIR CLEANER - PETROL

1. Air Cleaner Assembly			
2.0 Litre Petrol	C2S51228	1	
All Other	C2S51229	1	
2. Air Cleaner Cover Screw	C2S11217	7	
3. Pan Head Screw	C2S11216	2	
4. Air Cleaner Hose to Manifold Fixing Clamp	C2S11220	1	
5. Air Cleaner Hose to Air Cleaner Fixing Clamp	C2S11219	1	
6. Air Flow Sensor	C2S2670	1	
7. Aircleaner Element	C2S51377	1	
8. Screw			
M5 x 16mm	C2S15992	1	
9. Inlet Manifold Aircleaner	C2S9587	1	
10. Hexagon Head Screw			
M6 x 20mm	C2S20995	2	
11. Air Intake Mounting Bracket	C2S2712	1	



12. Mounting Rubber			
With Metal Insert	C2S11218	1	
Without Metal Insert	C2S6666	1	
13. Hexagonal Flange Nut			
M5	C2C1641	2	



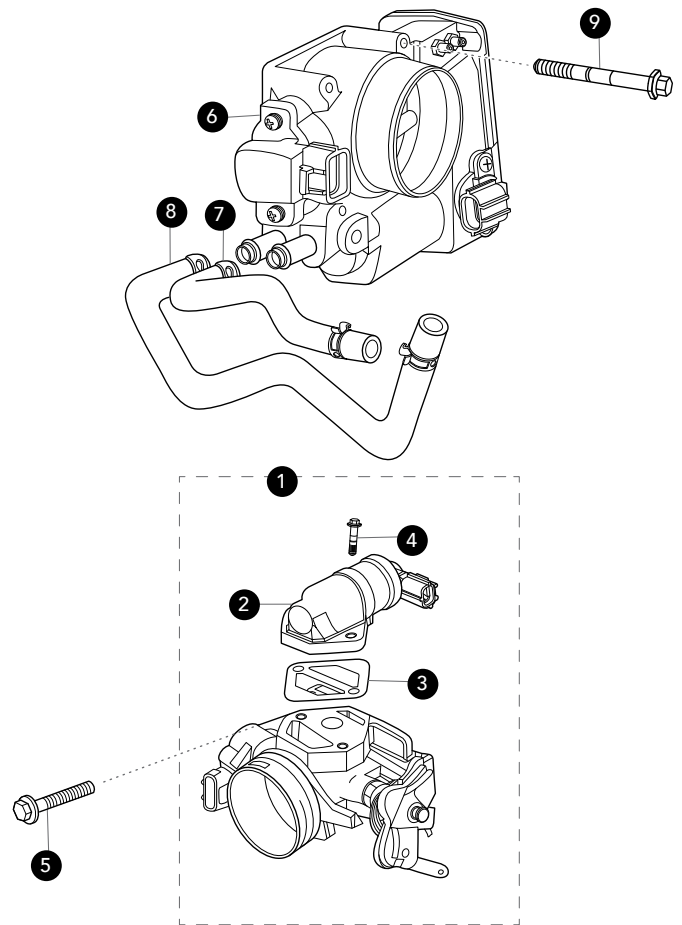
### AIRCLEANER - DIESEL

1. Air Cleaner Assembly	C2S40432	1	
2. Air Cleaner Element	C2S36774	1	
3. Air Flow Sensor	C2S26978	1	
4. Pan Head Screw			
To VIN D77742	C2S26979	2	
From VIN D77743			
M4 x 18mm	C2S34649	2	
5. Air Box Mounting Bracket	C2S26930	1	
6. Isolator	C2S26975	1	
7. Clean Air Duct	C2S44896	1	
8. Bolt			
M8 x 12mm	C2S10630	3	



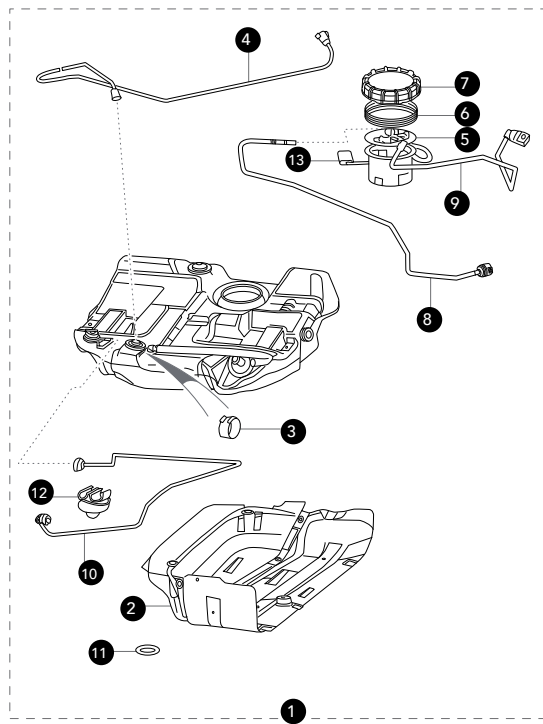
# AIR & FUEL DELIVERY THROTTLE BODY

1. Throttle Housing			
2.0 Litre Petrol	C2S47882	1	
2. Bypass Valve	C2S5186	1	
3. Valve Body Gasket	C2S5185	1	
4. Bolt			
M6 x 25mm	XR82805	2	
5. Hexagonal Head Flanged Bolt			
M6 x 30mm	XR827995	2	
6. Throttle Body			
All Other			
To VIN E19615			
Middle East	C2C41067	1	
All Other Markets	XR845053	1	
From VIN E19616	AJ89184	1	
7. Throttle Body Feed Hose	C2S16014	1	
8. Throttle Body Return Hose			
To VIN E19615	C2S16010	1	
From VIN E19616	AJ89114	1	
9. Flange Head Screw			
M6 x 66.25mm	C2S14950	4	



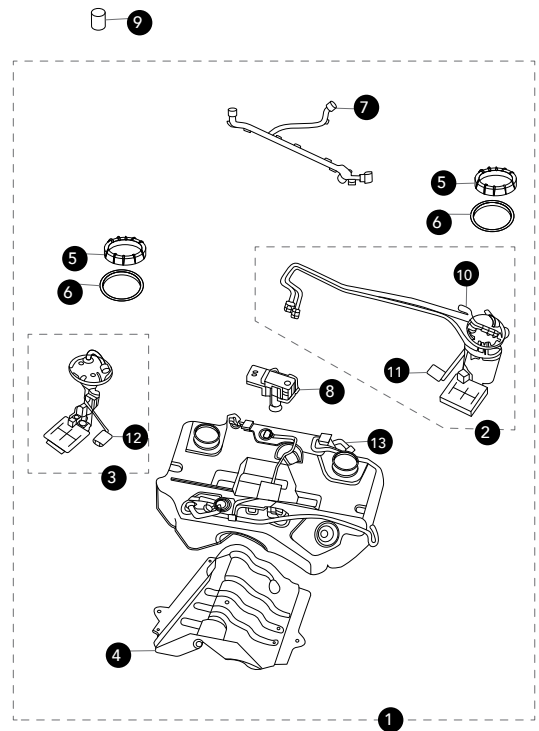
# AIR & FUEL DELIVERY

## FUEL TANK



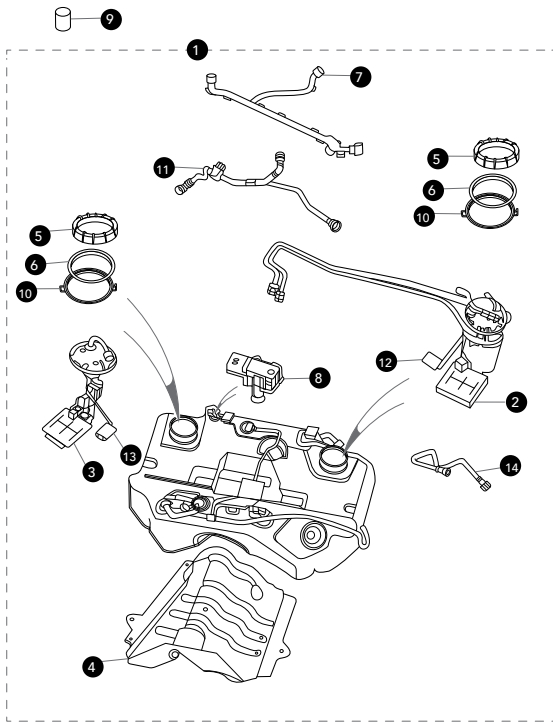
### 2.0 LITRE PETROL

1. Fuel Tank	C2S41296	1
2. Fuel Tank Shield	C2S34598	1
3. Hose Clamp	C2S18088	1
4. Vapour Hose	C2S20823	1
5. Sender and Pump Assembly	C2S51805	1
6. Fuel Pump Mounting Gasket	C2S20819	1
7. Retaining Ring	C2S20821	1
8. Fuel Feed Hose		
Pump to Connector Hose	C2S23681	1
9. Fuel Feed Hose		
Pump to Filter	C2S23680	1
10. Fuel Tank Vapour Pipe	C2S21303	1
11. Push on Clip	C2S12491	1
12. Fuel and Brake Pipe Clip	C2S11902	1
13. Sender Sensor		
To VIN E42206	C2S39005	1
From VIN E42207	C2S41299	1



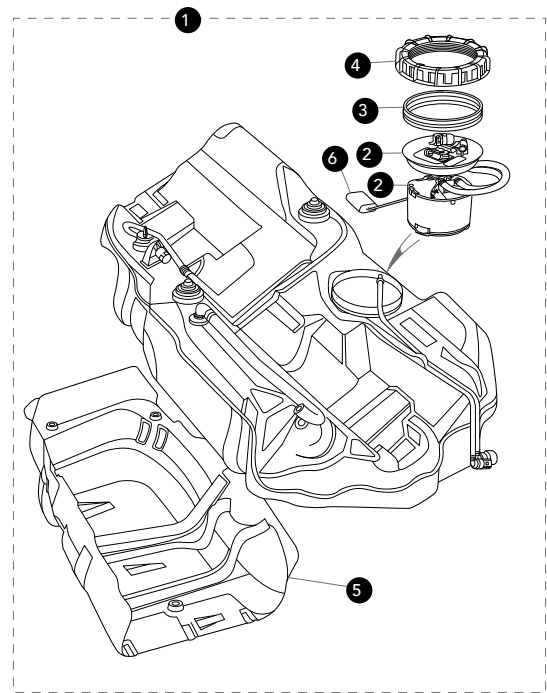
### 2.5/3.0 LITRE PETROL TO VIN D55321

1. Fuel Tank		
USA/CAN/MEX/DOM	Contact Sales	
All Other	C2S33405	1
2. Fuel Pump	C2S35274	1
3. Sender and Outlet		
Tube Assembly	C2S35272	1
4. Fuel Tank Shield	C2S17862	1
5. Retaining Ring	XR87952	2
6. Fuel Pump Mounting Gasket	C2S8592	2
7. Harness		
USA/CAN/MEX/DOM	Contact Sales	1
All Other	Contact Sales	1
8. Fuel Tank Transducer	C2C1240	1
9. Stud Cover	C2S13027	1
10. Fuel Pump Sender Link Lead	C2S40438	1
11. Sender Sensor	C2S40439	1
12. Sender Sensor	C2S40440	1
13. Fuel Pipe	C2S50918	1



### 2.5/3.0 LITRE PETROL FROM VIN D55322

1. Fuel Tank			
USA/CAN/MEX/DOM	C2S35218	1	
All Other Markets	C2S25686	1	
2. Fuel Pump			
USA/CAN/MEX/DOM	C2S33496	1	
All Other Markets	C2S35274	1	
3. Sender and Outlet Tube Assembly			
USA/CAN/MEX/DOM	C2S33495	1	
All Other Markets	C2S35272	1	
4. Fuel Tank Shield	C2S17862	1	
5. Retaining Ring	C2S34903	2	
6. Fuel Pump and Sender Unit Gasket	C2S34902	2	
7. Harness	Contact Sales	1	
9. Stud Cover	C2S13027	1	
10. Thread-Ring	C2S34904	1	
11. Fuel Pump Hose	C2S34905	1	
12. Sender Sensor	C2S39006	1	
13. Sender Sensor	C2S39007	1	
14. Fuel Hose	C2S34424	1	



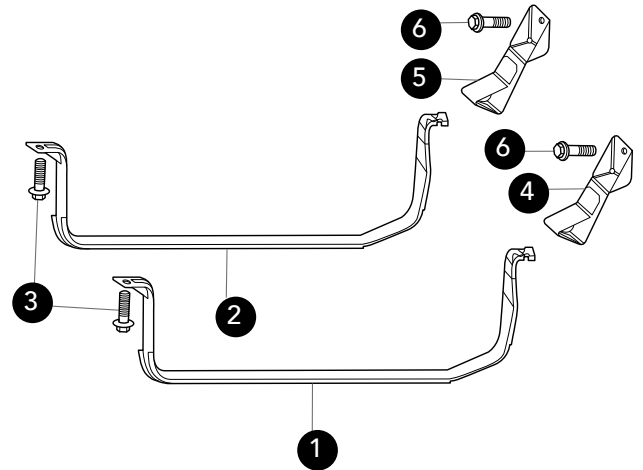
### DIESEL

1. Fuel Tank	C2S41297	1
2. Sender	C2S41298	1
3. Fuel Pump Mounting Gasket	C2S20819	1
4. Retaining Ring	C2S20821	1
5. Fuel Tank Shield	C2S34598	1
6. Sender Sensor		
To VIN E40769	C2S39008	1
From VIN E40770	C2S41299	1

# AIR & FUEL DELIVERY

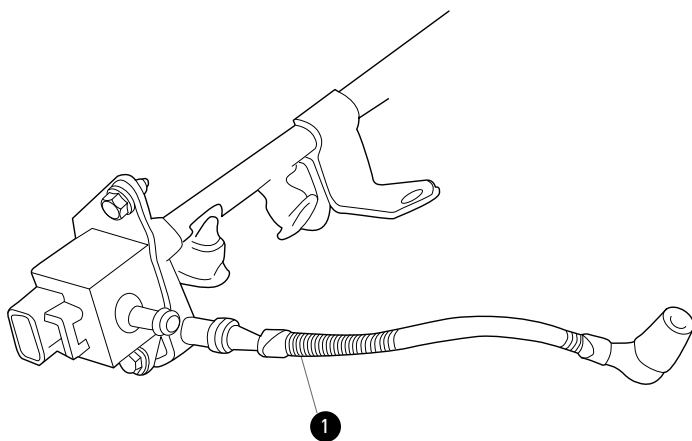
## FUEL TANK MOUNTINGS

1. Fuel Tank Strap LH			
All Wheel Drive	C2S2772	1	
Front Wheel Drive	C2S45743	1	
2. Fuel Tank Strap RH			
All Wheel Drive	C2S2771	1	
Front Wheel Drive	C2S45742	1	
3. Bolt and Washer			
M8			
To VIN J23325	C2S15123	1	
From VIN J23326	C2S48026	4	
4. Support Bracket LH			
Front Wheel Drive	C2S10472	1	
5. Support Bracket RH			
Front Wheel Drive	C2S8406	1	
6. Hexagon Flange Screw			
M8 x 20mm	C2C11500	4	



# AIR & FUEL DELIVERY

## INDUCTION VACUUM HOSE



1. Vacuum Hose C2S28870 1

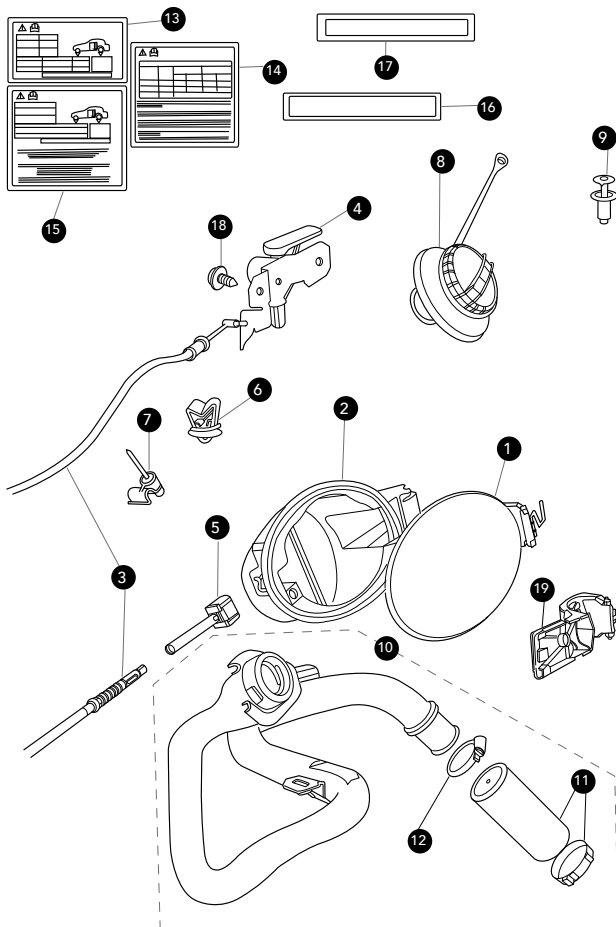


# AIR & FUEL DELIVERY

## FUEL FILLER & CAP

1. Fuel Filler Flap			
Estate	C2S41112	1	
Saloon, Primer Painted	C2S41113	1	
2. Fuel Filler Bowl			
Estate/Saloon	C2S41111	1	
3. Fuel Filler Cap Release Cable			
LHD	Contact Sales	1	
RHD	Contact Sales	1	
4. Handle			
LHD			
To VIN C17066	C2S3440	1	
From VIN C17067	C2S51131	1	
RHD			
To VIN C20139	C2S3439	1	
From VIN C20140	C2S51130	1	
5. Fuel Filler Release Striker			
	C2S14632	1	

6. Cable Clip			
LHD	C2S5836	3	
7. Cable Clip			
LHD	C2S5837	3	
8. Fuel Filler Cap			
1/4 Turn			
Diesel	C2C41356	1	
Petrol	C2C41355	1	
Screw Type	C2S14163	1	
9. Fuel Filler Turnbuckle			
	C2S8409	1	
10. Fuel Filler Pipe			
All Wheel Drive	Contact Sales	1	
Front Wheel Drive	Contact Sales	1	
11. Fuel Filler Hose			
All Wheel Drive	Contact Sales	1	
Front Wheel Drive	Contact Sales	1	
12. Fuel Filler Hose Clamp			
	C2C6840	1	
13. Tyre Information Decal			
16"/17"	Contact Sales	1	
14. Tyre Information Decal			
16"/17"/18"	Contact Sales	1	
15. Tyre Information Decal			
16"/17"	Contact Sales	1	
16. Fuel Label			
	Contact Sales	1	
17. Fuel Label			
	Contact Sales	1	
18. Hexagon Head Screw			
	C2S3063	2	
19. Fuel Filler Lid Hinge			
	C2S41114	1	

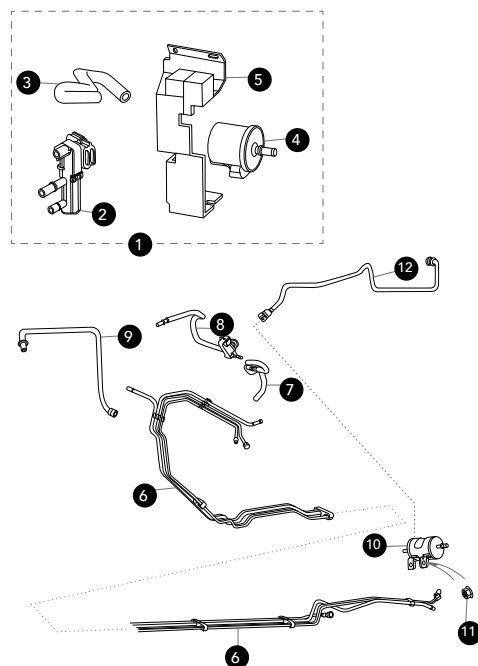


# AIR & FUEL DELIVERY

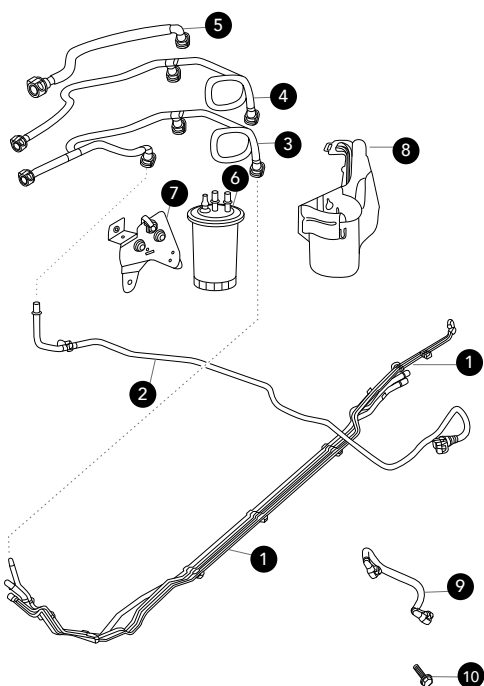
## FUEL FEED & VAPOUR PIPES

### PETROL

1. Purge Valve	Contact Sales	1
2. Purge Valve	C2G2403	1
3. Reservoir to Valve Body Vapour Pipe		
To VIN C39159	C2S16825	1
From VIN C39160	C2S18627	1
4. Reservoir Assembly	C2S11048	1
5. Purge Valve Mounting Bracket	C2G1427	1
6. Fuel and Brake Fluid Pipe		
2.0 Litre Petrol	C2S46377	1
2.5 Litre Petrol	C2S46378	1
3.0 Litre Petrol		
To VIN D55321	C2S7695	1
From VIN D55322	C2S46378	1
7. Fuel Pipe Vapour Hose	Contact Sales	
8. Purge Hose		
2.0 Litre Petrol	C2S17884	1
All Other	C2S16505	1
9. Fuel Pipe Tube	C2S11747	1



10. Fuel Filter	C2S45278	1
11. Nut and Washer		
M6	C2S20111	2
12. Vapour Hose		
2.0 Litre Petrol	C2S17075	1



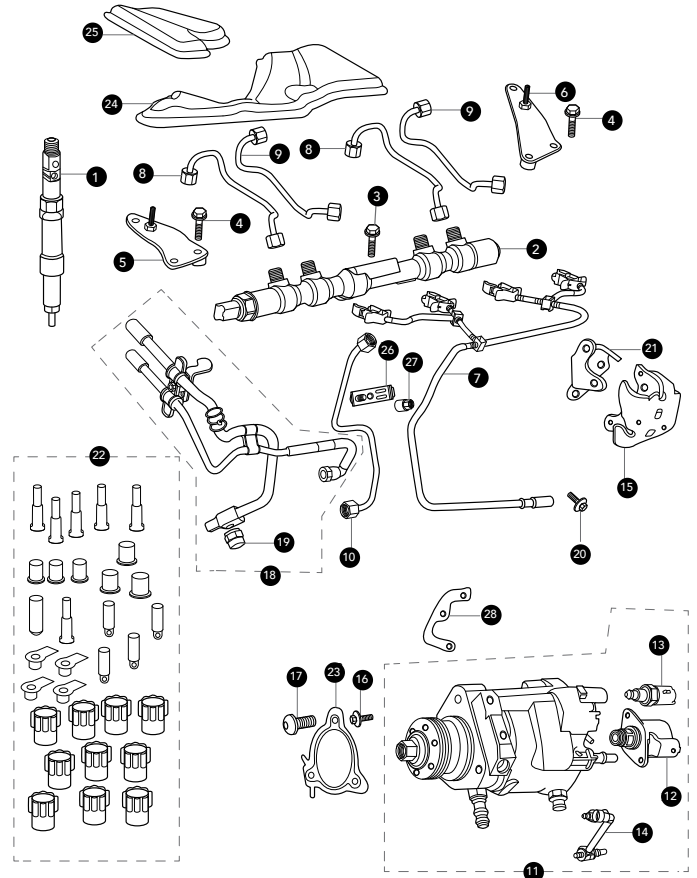
### DIESEL

1. Fuel and Brake Pipe	C2S51428	1
2. Fuel Fired Heater Fuel Hose		
Auxiliary Pump	C2S44771	1
3. Fuel Fired Heater Fuel Hose		
Fuel Return Front	C2S26961	1
4. Fuel Hose		
Fuel Return Front	C2S26960	1
5. Fuel Filter to Fuel Pump Hose	C2S26958	1
6. Fuel Filter	C2S27643	1
7. Fuel Filter Bracket	C2S43422	1
8. Fuel Filter Shield	C2S27876	1
9. Fuel Feed Pipe	C2S32610	1
10. Bolt and Washer	C2S48414	1

# AIR & FUEL DELIVERY

## FUEL INJECTORS & PUMP

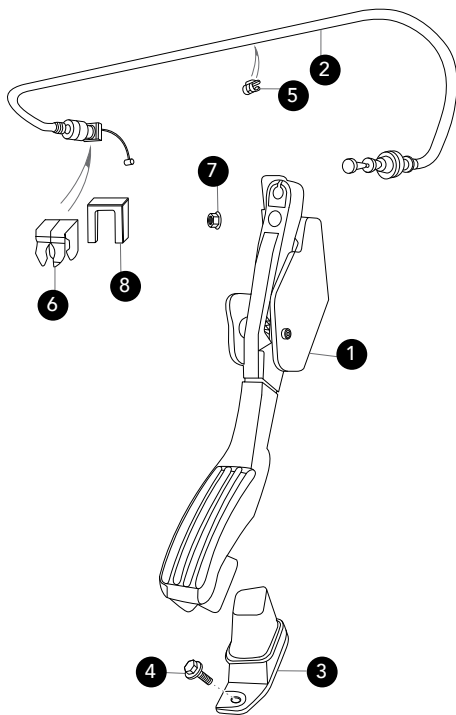
1. Fuel Injector			
2.0 Litre Turbo Diesel			
ECS 17 - Stage 3			
New	C2S30226	4	
Exchange	C2S30226E	4	
ECS 23 - Stage 4			
New	JDE4157	4	
Exchange	JDE4157E	4	
2.2 Litre Turbo Diesel			
New	JDE4105	4	
Exchange	JDE4105E	4	
2. Fuel Rail			
2.0 Litre Turbo Diesel	JDE3111	1	
2.2 Litre Turbo Diesel	JDE4106	1	
3. Fuel Rail Bolt			
To VIN J04730	C2S27929	1	
From VIN J04731	C2S46864	1	
4. Fuel Rail Bolt	C2S27930	2	
5. Brace LH	JD61197	1	
6. Brace RH	JD61198	1	
7. Return Tube	JDE1829	1	
8. High Pressure Injector Tube			
2.0 Litre Turbo Diesel			
Cylinders 1 & 3	C2S46863	2	
2.2 Litre Turbo Diesel			
Cylinders 1 & 3	JDE4786	2	
9. High Pressure Injector Tube			
2.0 Litre Turbo Diesel			
Cylinders 2 & 4	JDE7434	2	
2.2 Litre Turbo Diesel			
Cylinders 2 & 4	JDE4787	2	
10. Fuel Rail High Pressure Tube			
2.0 Litre Turbo Diesel	C2S46888	1	
2.2 Litre Turbo Diesel	JDE4791	1	
11. Fuel Pump			
New	JDE8088	1	
Exchange	JDE8088E	1	
12. Valve	C2S40955	1	
13. Fuel Temperature Sensor	C2S40954	1	
14. Venturi	C2S49914	1	



15. Fuel Pump Mounting Bracket	JDE4221	1
16. Sprocket Bolt		
M8 x 25mm	JD61219	4
17. Injector Pump Bolt		
To VIN J09265	JD61206	3
From Vin J09266	C2S46939	3
18. Tube	C2S38373	1
19. Nut	JDE2654	1
20. Banjo Bolt, M12	JD61239	1
21. Fuel Pump Shield	C2S36566	1
22. Protection Cap	JDE3160	1
23. Fuel Pump Gasket	JDE1823	1
24. Sound Insulator	C2S26999	1
25. Sound Insulator	C2S28736	1
26. Pipe Clamp		
To VIN J50899	JD61120	1
From VIN J50900	C2S46887	1
27. Hexagonal Flange Nut	C2Z2325	1
28. Pipe Bracket	C2S47181	1

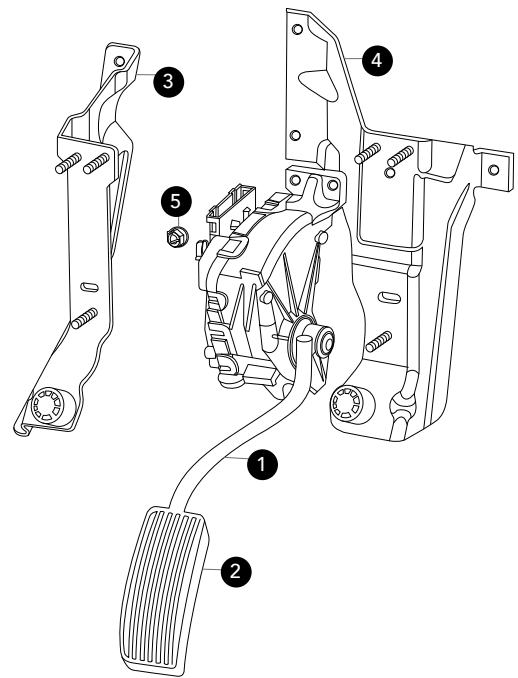
# AIR & FUEL DELIVERY

## ACCELERATOR PEDAL



### 2.0 LITRE PETROL

1. Accelerator Pedal			
LHD	C2S45286	1	
RHD	C2S21260	1	
2. Accelerator Pedal Cable			
LHD	C2S20394	1	
RHD	C2S7214	1	
3. Accelerator Pedal Stop			
RHD	C2S18548	1	
4. Bolt			
M6 x 16mm	JFS10616B	2	
5. Cable Clip			
	C2S18550	1	
6. Accelerator Cable Retainer			
Metal	C2S12236	1	
7. Hexagonal Nut			
M8	C2S3772	3	
8. Accelerator Cable Retainer			
Plastic	C2S18045	1	



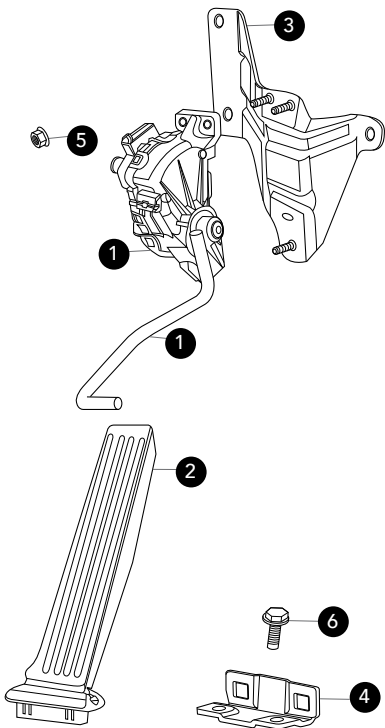
### 2.5/3.0 LITRE PETROL TO VIN D88173

1. Accelerator Pedal, LHD			
To VIN D15360	C2S18875	1	
From VIN D15361	C2S25598	1	
2. Accelerator Pedal Pad			
	C2S12383	1	
3. Accelerator Mounting Bracket, RHD			
To VIN C88141	C2S18566		
VIN C88142 to D15360	C2S24342	1	
From VIN D15361			
Automatic	C2S25600	1	
4. Accelerator Mounting Bracket, LHD			
To VIN D15360	C2S24343	1	
From VIN D15361			
Automatic	C2S25601	1	
5. Hexagonal Nut			
M6			
To VIN J04730	C2S39739	3	
From VIN J04731	C2P2765	3	



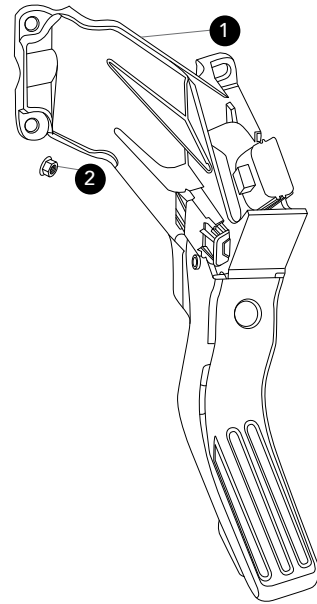
# AIR & FUEL DELIVERY

## ACCELERATOR PEDAL



### 2.5/3.0 LITRE PETROL FROM VIN D88174

1. Accelerator Pedal			
All Wheel Drive			
LHD			
Automatic	C2S38071	1	
Manual	C2S38069	1	
RHD			
Automatic	C2S38072	1	
Manual	C2S38070	1	
2. Accelerator Pedal Pad	C2S25913	1	
3. Accelerator Mounting Bracket			
LHD	C2S26124	1	
RHD	C2S26123	1	
4. Throttle Pedal Support Mounting Bracket	C2S25915	1	
5. Flanged Nut			
M6	XR82713	3	
6. Support Bracket to Floor Bolt			
M6 x 16mm	C2P11837	2	



### DIESEL

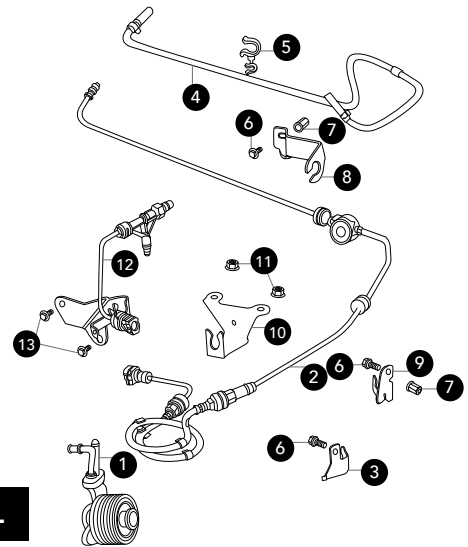
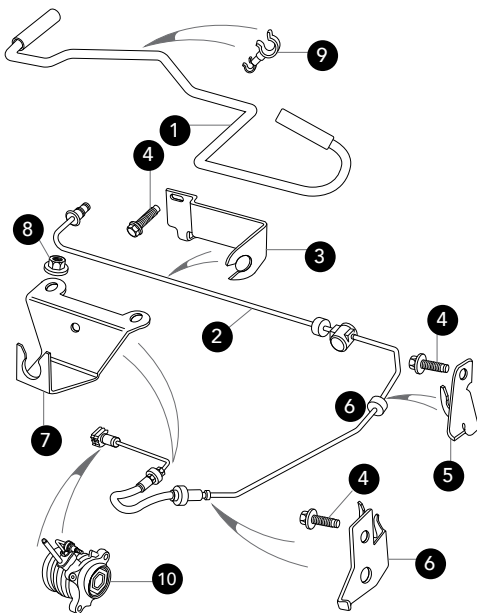
1. Accelerator Pedal			
LHD	C2S26941	1	
RHD	C2S26940	1	
2. Hexagonal Nut			
M8	C2S3772	3	

# TRANSMISSION & DRIVELINE

## CLUTCH MASTER & SLAVE

### PETROL

1. Clutch Slave Cylinder Flexible Hose		
LHD	C2S12746	1
RHD		
To VIN J04730	C2S27535	1
VIN D04731 to VIN J23741	C2S44381	1
From VIN J23742	C2S46860	1
2. Master Cylinder to Clutch Housing Tube		
LHD	C2S46855	1
RHD	C2S46856	1
3. Clutch Pipe Support Bracket		
RHD		
Bulkhead Mounted	C2S1040	1
4. Hexagon Flange Screw		
M8 x 20mm	C2C11500	1
5. Rear Clutch Pipe Support Bracket	C2S10620	1
6. Front Clutch Pipe Support Bracket	C2S10616	1
7. Clutch Pipe Support Bracket		
Gearbox Mounted	C2S10617	1
8. Hexagonal Nut, M8	C2S3772	1
9. Pipe Clip, RHD	C2S13426	1
10. Clutch Slave Cylinder	C2S46903	1



### DIESEL

1. Clutch Slave Cylinder		
2.0 Litre Turbo Diesel	C2S46903	1
2.2 Litre Turbo Diesel	C2S48968	1
2. Master Cylinder to Clutch Housing Tube		
2.0 Litre Turbo Diesel		
LHD		
To VIN J51665	C2S43320	1
From VIN J51666	C2S51479	1
RHD		
To VIN J51665	C2S43321	1
From VIN J51666	C2S51480	1
2.2 Litre Turbo Diesel		
LHD	C2S43246	1
RHD	C2S51481	1
3. Clutch Pipe Support Bracket		
2.0 Litre Turbo Diesel	C2S33498	1
2.2 Litre Turbo Diesel	C2S40433	1
4. Clutch Slave Cylinder Flexible Hose		
RHD, Low Pressure	C2S28735	1
5. Pipe Clip	C2S13426	1
6. Bolt, M8 x 20mm	C2C11500	3
7. Nut, M8	C2S2414	2
8. Clutch Pipe Support Bracket	C2S1040	1
9. Rear Clutch Pipe Support Bracket	C2S10620	1
10. Clutch Pipe Support Bracket	C2S10617	1
11. Hexagonal Nut, M8	C2S3772	2
12. Clutch Hydraulic Pipe		
2.2 Litre Turbo Diesel	C2S42334	1
13. Bolt, M10 x 20mm	C2S42083	2

# TRANSMISSION & DRIVELINE

## GEAR CHANGE CONTROL

### AUTOMATIC

#### 1. Gearshift Hand Lever

To VIN D15360

LHD C2S20251 1

RHD C2S20252 1

From VIN D15361

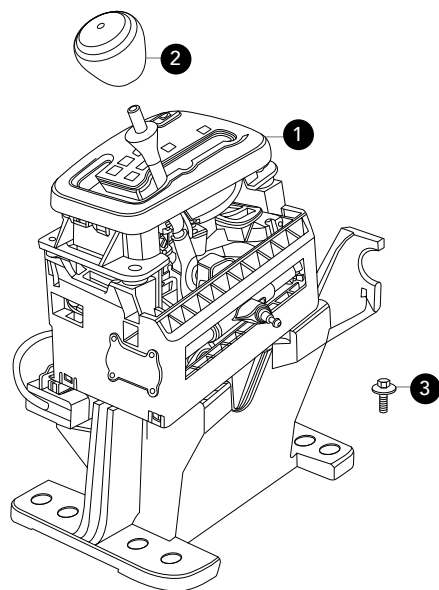
LHD/RHD C2S43315 1

#### 2. Gear Change Knob

Contact Sales 1

#### 3. Bracket to Block Flange Head Screw

M12 C2S3210 1



### TIPTRONIC

#### 1. Gearshift Hand Lever

2.2 Litre Turbo Diesel

LHD C2S51067 1

RHD C2S51068 1

#### 2. Gearshift Hand Lever

2.2 Litre Turbo Diesel

LHD C2S51090 1

RHD C2S51091 1

#### 3. Gearshift Surround

PRND Display

LHD C2S51092 1

RHD C2S51093 1

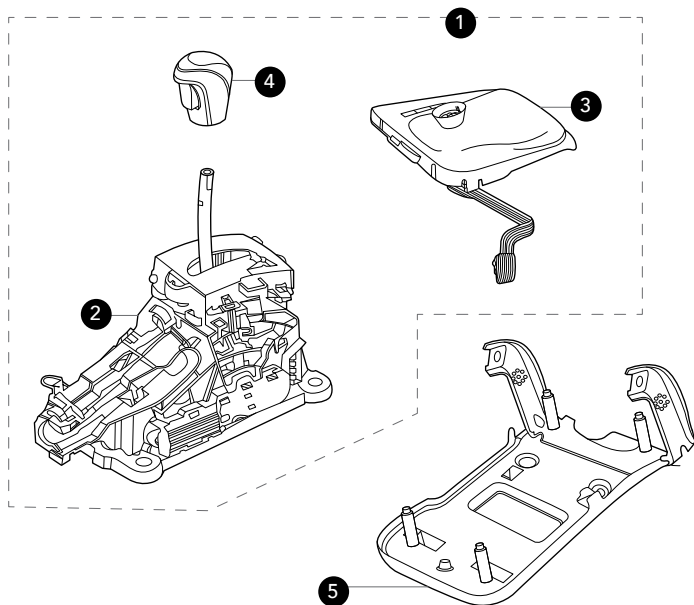
#### 4. Gear Change Knob

C2S51094 1

#### 5. Mounting Bracket

LHD C2S49873 1

RHD C2S49874 1



# TRANSMISSION & DRIVELINE

## CHANGE SPEED LEVER

### 1. Change Speed Lever

2.2 Litre Turbo Diesel	C2S50210	1
All Other	C2S13265	1

### 2. Mounting Bracket

LHD		
To VIN E86465	C2S8388	1
From VIN E86466	C2S46638	1
RHD		
	C2S46639	1

### 3. Gear Change Knob

Contact Sales 1

### 4. Spring

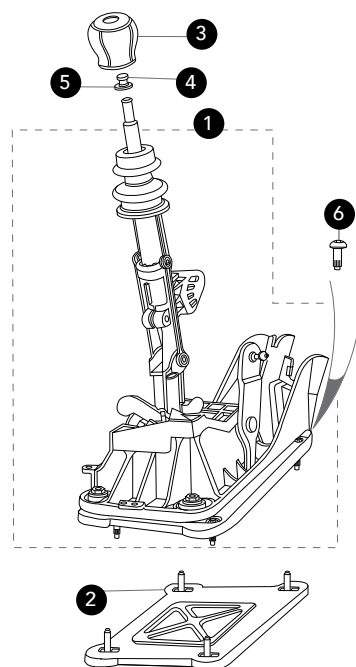
C2S12164 1

### 5. Damper

C2S12167 1

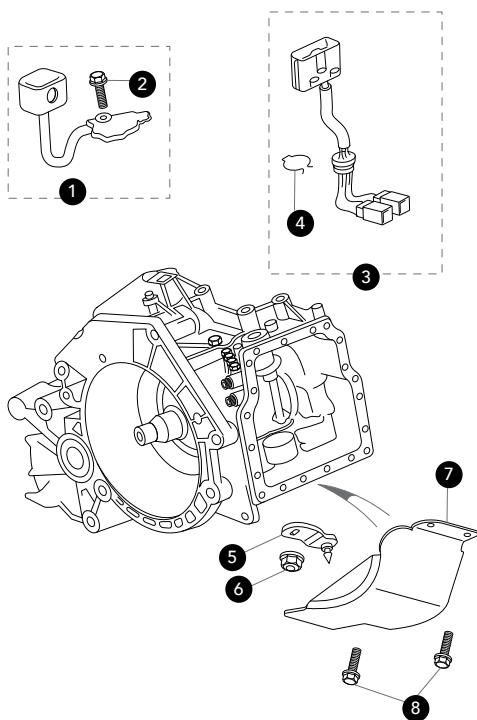
### 6. Screw, M6 x 12mm

C2S12382 4



# TRANSMISSION & DRIVELINE

## GEARBOX SWITCHES



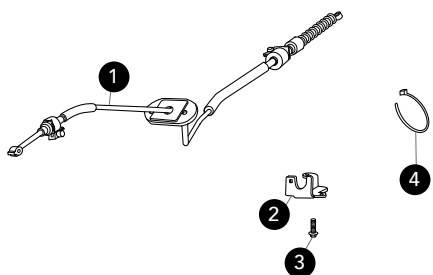
1. Inhibitor/Range Sensor	C2S13049	1
2. Flange Head Bolt	C2S12113	2
3. Gearbox Link Harness	C2S16570	1
4. Harness Clip	C2S12119	1
5. Selector Lever		
To VIN C24129	C2S2754	1
From VIN C24130	C2S46382	1
6. Flanged Nut, M10	C2Z1108	1
7. Stone Guard	C2S2774	1
8. Bolt, M6 x 16mm	JFS10616B	3

# TRANSMISSION & DRIVELINE

## GEAR CONTROL CABLE

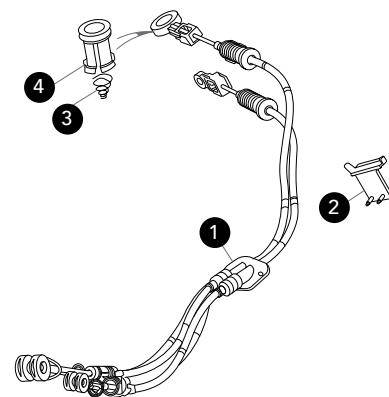
### AUTOMATIC

1. Gear Control Cable			
2.0 Litre Turbo Diesel	C2S51172		1
2.2 Litre Turbo Diesel	C2S47414		1
2. Cable End Retaining Bracket	C2S51171		1
3. Bolt, M6 x 16mm			
To VIN E46482	C2P11837		2
From VIN E46483	C2S26049		2
4. Cable Tie			
From VIN C09416	C2S18879		1



### MANUAL

1. Gear Control Cable			
2.2 Litre Turbo Diesel	C2S43388		1
All Other	C2S47848		1
2. Cable Bracket	C2S20263		1
3. Spring	C2S43751		1
4. Manual Selector Button	C2S43469		1

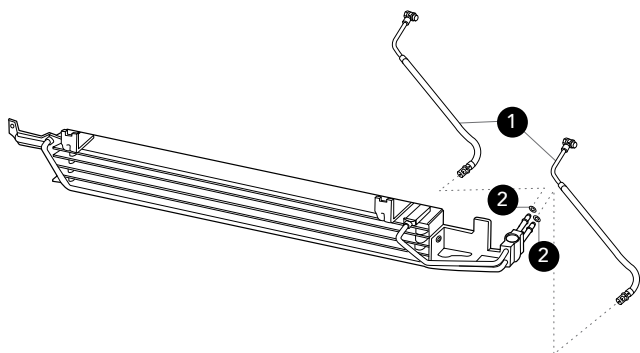


# TRANSMISSION & DRIVELINE

## GEARBOX COOLER PIPES

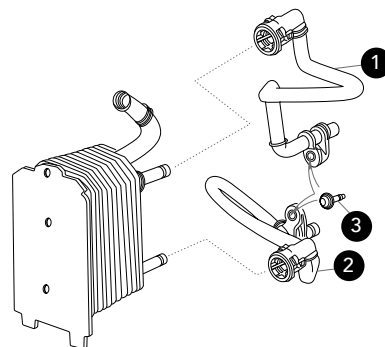
### PETROL

1. Oil Cooler Hose	C2S45093		2
2. O-Ring	C2S33119		2



### DIESEL

1. Oil Cooler Return Hose			
From VIN J39906	C2S47058		1
2. Oil Cooler Return Hose			
From VIN J39906	C2S47057		1
3. Bolt and Washer			
From VIN J39906	C2S47059		1

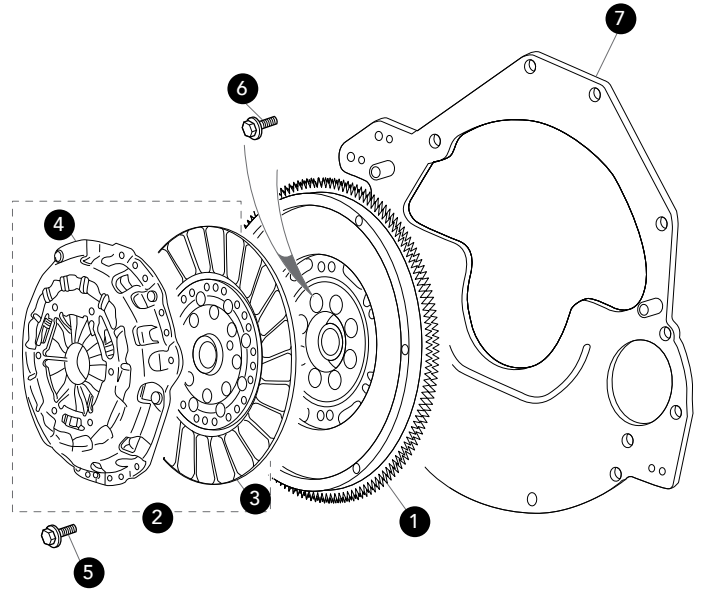


# TRANSMISSION & DRIVELINE

## FLYWHEEL & CLUTCH

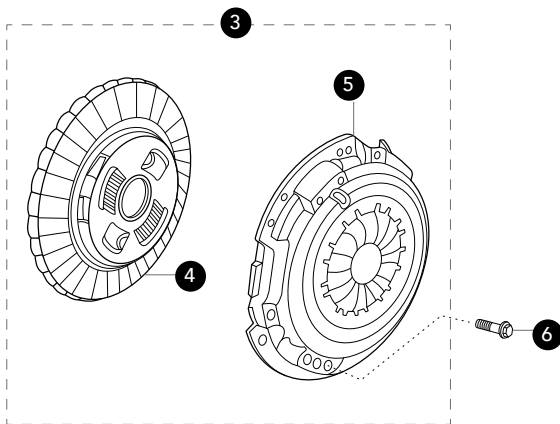
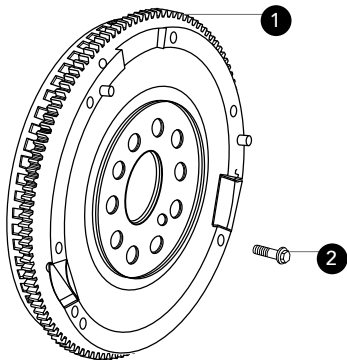
### PETROL

1. Flywheel	C2S4291	1
2. Clutch Assembly		
From VIN J43823	C2S49289	1
3. Clutch Friction plate		
To VIN J43822	C2S33393	1
4. Clutch Cover		
To VIN J43822	XR828229	1
5. Cover Screw		
M8 x 13mm	XR86416	6
6. Flywheel to Crankshaft Bolt	X2S5392	8
7. Engine Cover	XR821251	1



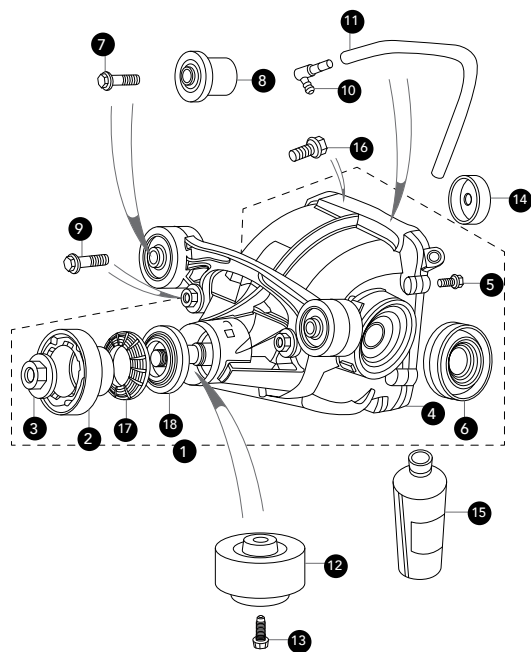
### DIESEL

1. Flywheel		
2.0 Litre Turbo Diesel	C2S27921	1
2.2 Litre Turbo Diesel	JDE4274	1
2. Flywheel to Crankshaft Bolt	CJD61086	8
3. Clutch Assembly		
2.0 Litre Turbo Diesel		
To VIN J33193	JDE4964	1
From VIN J33194	JDE4964	1
	<b>N.B C2S2722 also required</b>	
2.2 Litre Turbo Diesel		
To VIN J33210	JDE4275	1
From VIN J33211	JDE4275	1
	<b>N.B C2S2722 also required</b>	
4. Clutch Disc		
2.0 Litre Turbo Diesel		
To VIN D15170	JDE2659	1
5. Clutch Cover		
2.0 Litre Turbo Diesel		
To VIN D15170		
	<b>Only available as item 3</b>	1
6. Clutch Cover to Flywheel Screw	XR86416	6



# TRANSMISSION & DRIVELINE

## DIFFERENTIAL ASSEMBLY



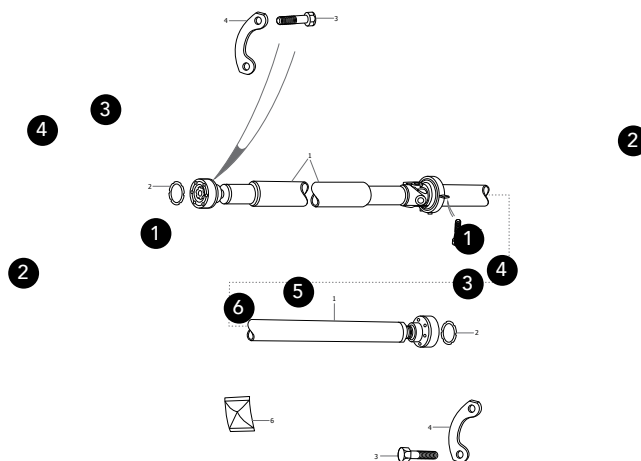
1. Differential	C2S47054	1
2. Companion Flange	C2S4900	1
3. Flange Nut	C2S11507	1
4. Differential Rear Cover	C2S1531	1
5. Cover Screw	C2S1442	1
6. Shaft Seal	C2S1557	1

7. Bolt, M12 x 85mm	To VIN J23151	C2S18302	2	
	From VIN J23152	C2S46556	2	
8. Insulator		C2S17304	2	
9. Flange Screw	M12 x 35mm	C2S1538	2	
10. Differential Vent		C2S10928	1	
11. Differential Vent Tube	All Wheel Drive	C2S10902	1	
12. Vibration Damper	Rear Axle	C2S23949	1	
13. Hexagonal Flange Screw	M10 x 20mm	To VIN C20353	C2S16419	1
	M10 x 65mm	From VIN C20354	C2S24741	1
14. Washer Cup	To VIN J39905	C2S46555	1	
	From VIN J39906	C2S50864	2	
15. Final Drive Oil	1 Litre	JLM21847	1	
16. Bolt, M12 x 85mm		C2S18302	1	
17. Deflector		XR85904	1	
18. Pinion Oil Seal		C2S52519	1	

# TRANSMISSION & DRIVELINE

## PROPSHAFT ASSEMBLY

1. Propshaft	C2S38967E	1
2. Gasket	C2S22210	2
3. Bolt, M8 x 50mm	C2S43475	12
4. Locking Link	C2S4724	6
5. Screw/Washer, M8 x 20mm	XR87676	2
6. Grease, Sachet - 32g	C2S28304	2



# TRANSMISSION & DRIVELINE

## DRIVESHAFTS

### FRONT DRIVESHAFT

#### 1. Drive Shaft

##### All Wheel Drive

LH	C2S29731	1
RH	C2S29729	1

##### Front Wheel Drive

##### 2.2 Litre Turbo Diesel

Auto, LH	C2S47417	1
Auto, RH	C2S47416	1
Manual, LH	C2S40435	1
Manual, RH	C2S40434	1

##### All Other

LH	C2S40435	1
RH	C2S40434	1

#### 2. Rubber Boot Kit, Inner

All Wheel Drive	C2S47017	2
-----------------	----------	---

##### Front Wheel Drive

2.2 Litre Turbo Diesel	C2S47019	1
------------------------	----------	---

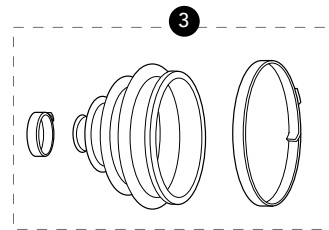
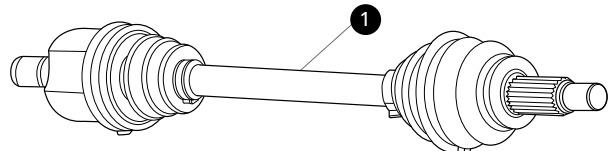
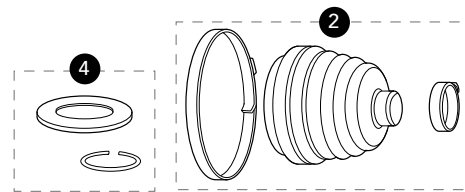
All Other	C2S47018	1
-----------	----------	---

#### 3. Rubber Boot Kit, Outer

##### 2.2 Litre Turbo Diesel

Front Wheel Drive	C2S47021	2
-------------------	----------	---

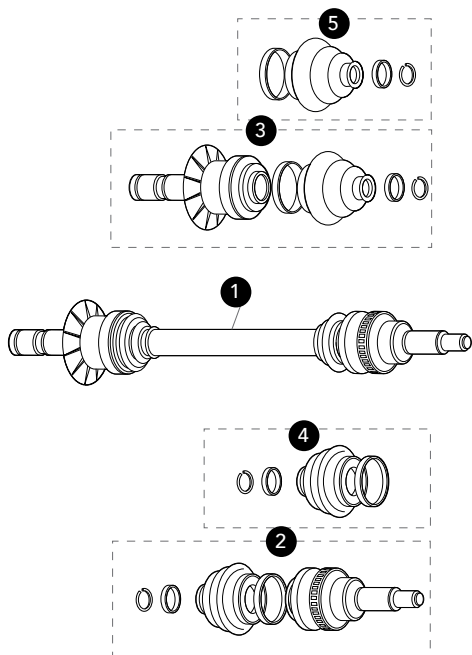
All Other	C2S47020	2
-----------	----------	---



#### 4. Circlip

##### All Wheel Drive

LH, to VIN E73993	C2S35730	1
LH, from VIN E73994	C2S47024	1
RH	C2S18304	1
Front Wheel Drive	C2S47024	2



### REAR DRIVESHAFT

#### 1. Drive Shaft

LH	C2S50485	1
RH	C2S50486	1

#### 2. Joint Kit

Outer	C2S43420	2
-------	----------	---

#### 3. Joint Kit

Inner	C2S16510	2
-------	----------	---

#### 4. Rubber Boot Kit

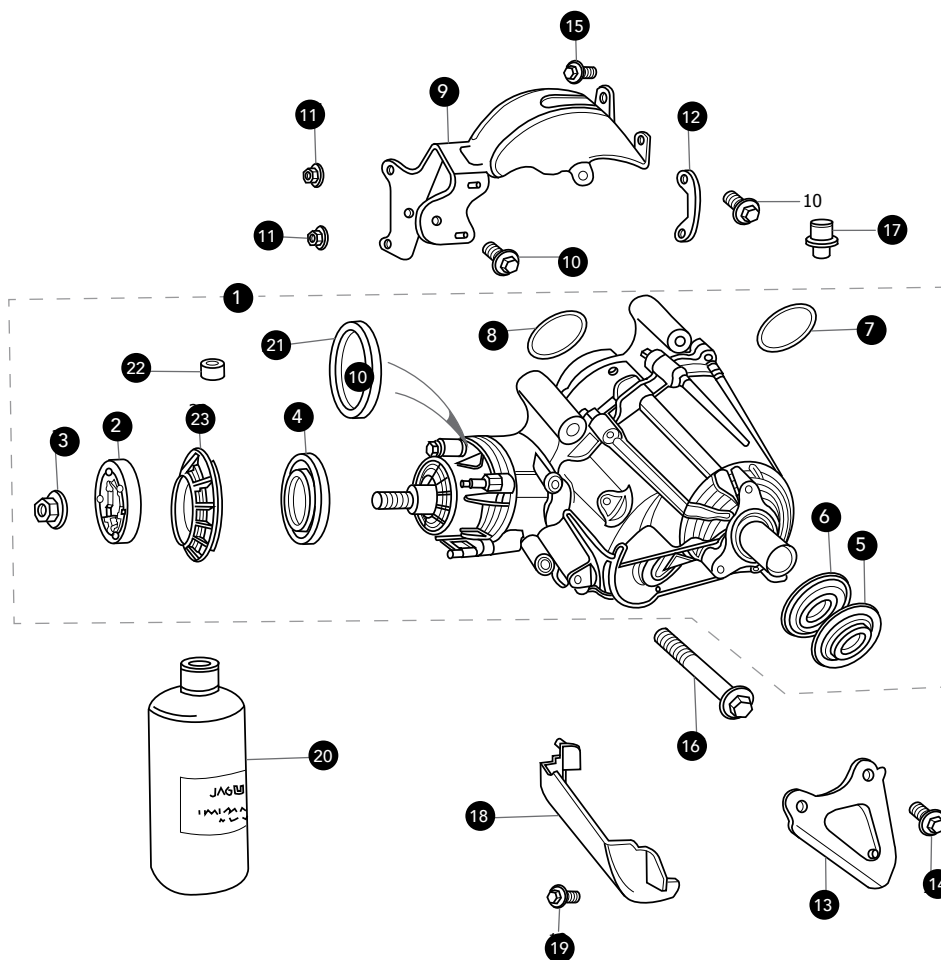
Outer	C2S16513	2
-------	----------	---

#### 5. Rubber Boot Kit

Inner	C2S16514	2
-------	----------	---



# TRANSMISSION & DRIVELINE TRANSFER BOX



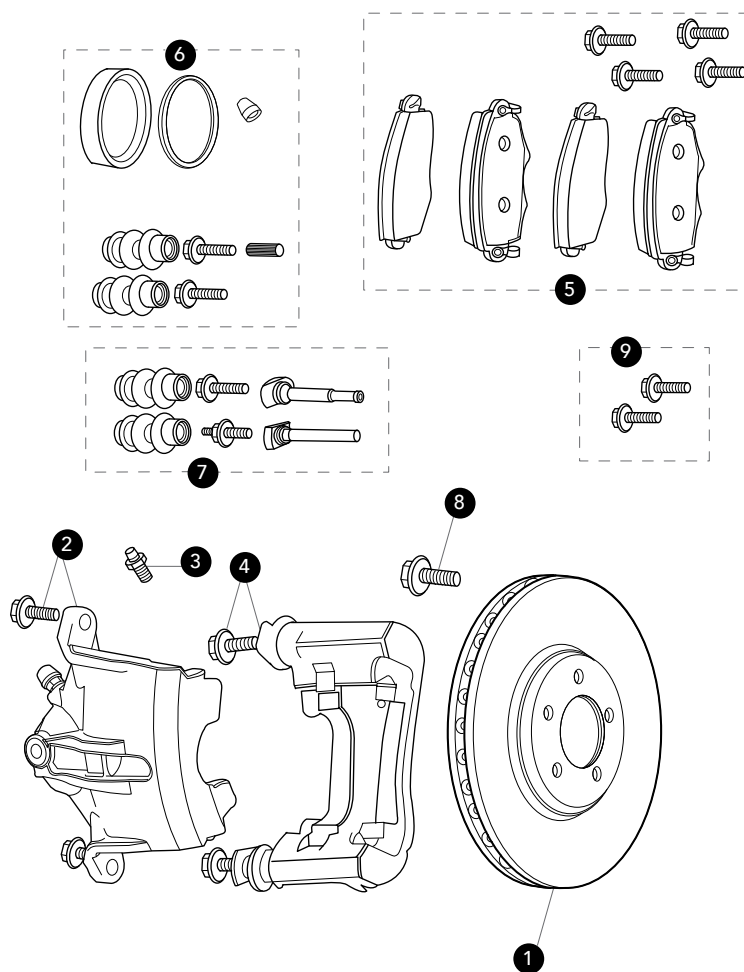
1. Transfer Drive Assembly					
To VIN D55321	C2S49237E	1			
From VIN D55322	C2S47858E	1			
2. Companion Flange	C2S4900	1			
3. Flange Nut	C2S11507	1			
4. Oil Seal	C2S11506	1			
5. Dust Shield	C2S11454	1			
6. Cover Plate Seal	C2S4875	1			
7. Retaining Ring	C2S5130	1			
8. Seal	C2S5132	1			
9. Transfer Box Protection Cover	C2S47055	1			
10. Hexagon Flange Screw	C2Z1856	3			
11. Flange Nut, M8	JFN108047	2			
12. Spacer	C2S11054	1			
			13. Sump Support Strut	C2S24716	1
			14. Sump Support to Transfer Box Screw		
			M8 x 20mm	C2Z1856	2
			15. Bolt, M10 x 25mm	C2S2426	2
			16. Transfer Box to Gearbox Bolt	C2S2769	4
			17. Vent	C2S11224	1
			18. Cooling Duct	C2S18834	1
			19. Bolt, M6 x 20mm	C2C32665	1
			20. Final Drive Oil		
			1 Litre	JLM21847	1
			21. Seal	C2S5131	1
			22. Level Plug	XR815977	1
			23. Deflector	C2S11457	1

# BRAKING

## BRAKE DISCS & CALIPERS

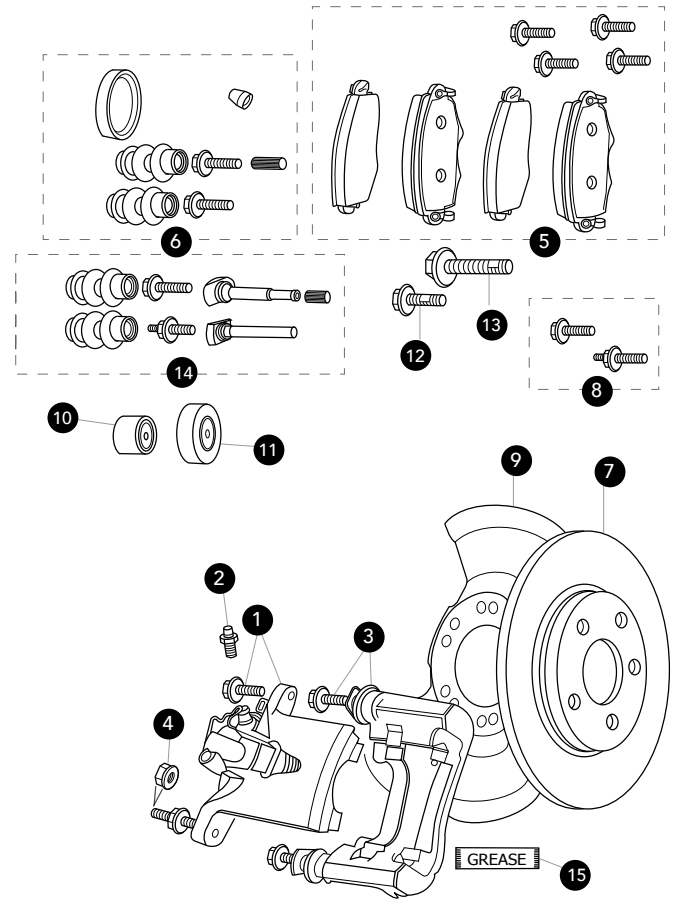
### FRONT DISCS & CALIPERS

1. Brake Disc Kit				5. Brake Pad Kit				
To VIN J60204	C2S52091	1	To VIN J61531	C2S52079	1			
From VIN J60205	C2S49729	1	From VIN J61532	C2S48022	1			
2. Caliper Housing				6. Brake Caliper Service Kit				
LH	C2S48020	1	7. Brake Pad Pin/Clip Kit	C2S48023	1			
RH	C2S48019	1	8. Hexagon Flange Screw, M12					
3. Bleed Screw				To VIN J04730	C2S13540	4		
To VIN J04730	C2S12632	1	From VIN J04731	C2S46548	4			
From VIN J04731	C2S148013	1	9. Brake Pin Screws Fitting Kit					
4. Anchor Bracket				9. Brake Pin Screws Fitting Kit	C2S46540	2		
LH	C2S48017	1						
RH, to VIN J04730	C2S12634	1						
RH, from VIN J04731	C2S48016	1						



### REAR DISCS & CALIPERS

1. Caliper Housing			
LH, to VIN E24053	C2S43449	1	
RH, from VIN E24054	C2S48014	1	
RH, to VIN E24053	C2S43448	1	
RH, from VIN E24054	C2S46538	1	
2. Bleed Screw			
To VIN E67743	C2S12632	2	
From VIN E67744	C2S48013	2	
3. Anchor Bracket			
LH, to VIN E24053	C2S17387	1	
LH, from VIN E24054	C2S48018	1	
RH, to VIN E24053	C2S17386	1	
RH, VIN E24054 to VIN J04730	C2S38061	1	
RH, from VIN J04731	C2S46539	1	
4. Nut, M6			
	C2P2765	2	
5. Brake Pad Kit			
To VIN E24053	C2S52080	1	
VIN E24054 to VIN J61531	C2S52081	1	
From VIN J61532	C2S48024	1	
6. Caliper Repair Kit			
To VIN E07979	C2S18008	1	
From VIN E07980	C2S46543	1	
7. Brake Disc Kit			
To VIN J06204	C2S52088	1	
From VIN J06205	C2S49730	1	
8. Brake Pad Pin Screws Fitting Kit			
To VIN E07979	C2S18005	2	
From VIN E07980	C2S46540	1	
9. Brake Dust Shield			
	C2S20740	2	
10. Top Brake Noise Damper			
	C2S15591	2	
11. Bottom Brake Noise Damper			
	C2S34329	2	
12. Bottom Caliper Mounting Bolt			
	C2S46549	2	
13. Top Caliper Mounting Bolt			
	C2S15593	2	

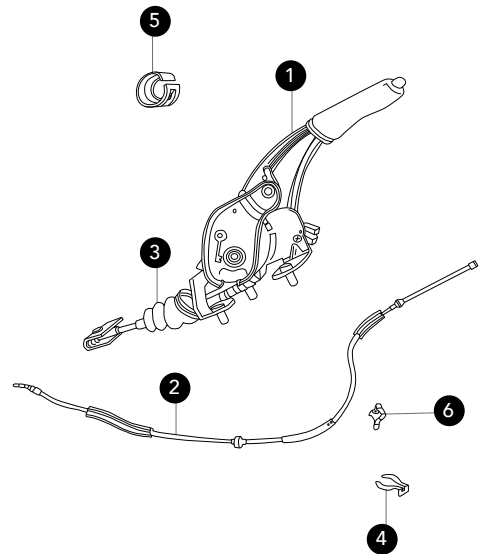


14. Brake Pad Pin/Clip Kit			
To VIN E07979	C2S18009	1	
VIN E07980 to J04730	C2S38067	1	
From VIN J04731	C2S46545	1	
15. Silicone Grease			
100g Tube	C2S35284	1	

# BRAKING

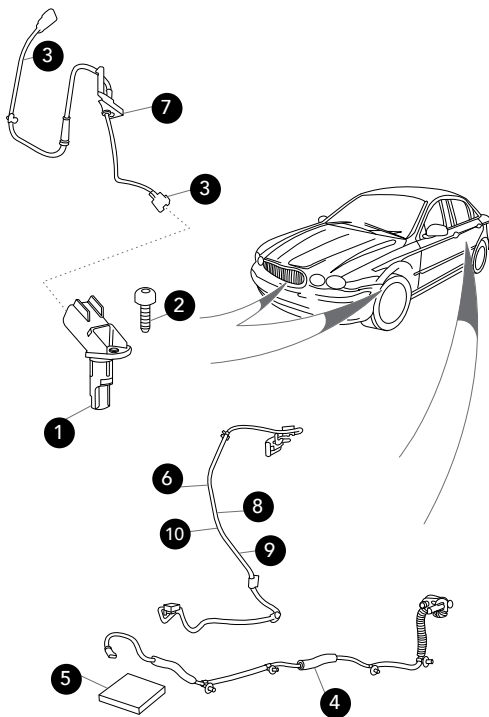
## HANDBRAKE ASSEMBLY

1. Handbrake Lever Assembly	Contact Sales	1
2. Parkbrake Cable		
To VIN C20145	C2S4576	2
VIN C20146 to VIN D03128	C2S20569	2
From VIN D03129	C2S51134	2
3. Handbrake Cable and Equaliser	C2S42567	1
4. Cable Retainer	C2S17879	2
5. C-Clip	C2S41307	1
6. Parkbrake Cable Clip	C2S2355	2
7. Nut and Washer		
To VIN J04730		
M8, from VIN J04731	C2S45974	3
8. Wire Clip	C2S26228	1



# BRAKING

## ANTI-LOCK BRAKING SYSTEM



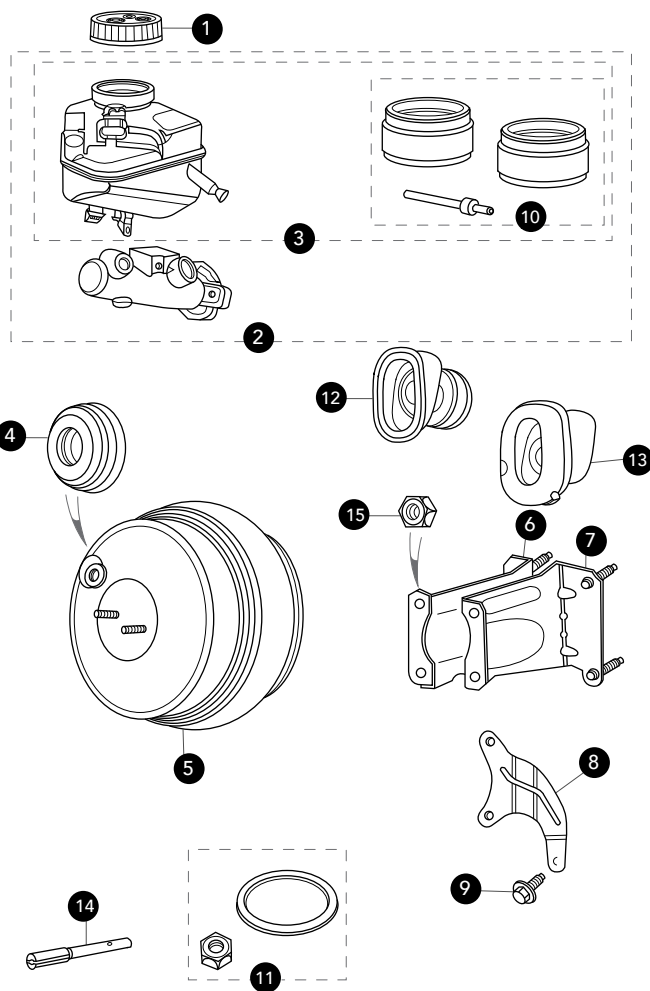
1. Front Wheel Speed Sensor		
All & Front Wheel Drive Cars	C2S43216	2
2. Screw, M5 x 12mm	C2S3668	2

3. Anti-Lock Brake System Harness		
Front RH/LH		
To VIN D13881	C2S26194	2
From VIN D13882	C2S29893	2
4. Rear Wheel Speed Sensor		
LH, All Wheel Drive	C2S43218	1
RH, All Wheel Drive	C2S43217	1
5. Anti-Rattle Pad	C2S7668	2
6. H.I.D Levelling Sensor Link		
Lead LH Rear		
All Wheel Drive		
To VIN C01023	C2S7530	1
VIN C01024 to VIN C11406	C2S17510	1
From VIN C11407	C2S42928	1
7. Support Bracket		
LH	C2G1959	1
RH	C2G1958	1
8. Anti-Lock Brake System Harness	Contact Sales	1
9. Anti-Lock Brake System Harness	Contact Sales	1
10. Anti-Lock Brake System Harness	Contact Sales	1
11. Pan Head Screw, M8 x 16mm	XR825356	2

# BRAKING

## BRAKE SERVO & MASTER CYLINDER

1. Filler Cap			
AUS/CAN/JAP/MEX/USA	C2S13235	1	
All Other	C2S4683	1	
2. Brake Master Cylinder			
To VIN C02247	Contact Sales	1	
VIN C02248 to VIN J12991	C2S17220	1	
From VIN J12992	C2S48701	1	
3. Reservoir			
To VIN J12991	C2S16195	1	
From VIN J12992	C2S48699	1	
4. Seal			
To VIN J12991	C2S16177	1	
From VIN J12992	C2S48696	1	
5. Brake Servo			
LHD, to VIN J12991	C2S31057	1	
LHD, from VIN J12992	C2S48698	1	
RHD, to VIN J12991	C2S31058	1	
RHD, from VIN J12992	C2S48697	1	
6. Brake Servo Mounting Bracket			
LHD	C2S43963	1	
RHD	C2S43961	1	
7. Brake Servo Mounting Bracket			
LHD	C2S43960	1	
RHD	C2S43962	1	
8. Brake Servo Strut			
LHD	C2S46553	1	
RHD	C2S3596	1	
9. Screw, M8 x 21mm			
From VIN J24297	C2P2766	1	
10. Reservoir to Master Cylinder Seal Kit			
To VIN C02247	C2S16179	1	
From VIN C2S48700	C2S48700	1	



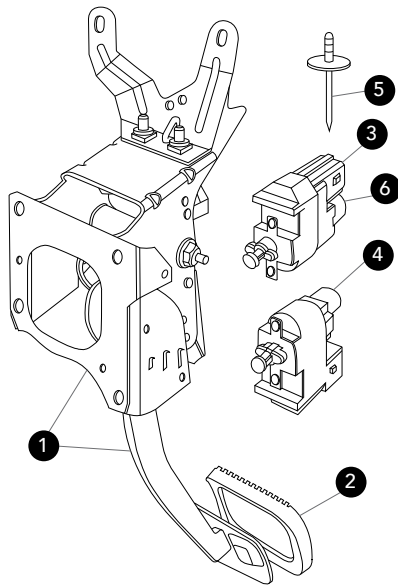
11. Servo to Master Cylinder Fitting Kit	C2S16178	1
12. Quick Fit Rubber Boot	C2S44051	1
13. Brake Pedal Seal	C2S32316	1
14. Brake Pedal Clip		
LHD	C2S3578	1
RHD	C2S20245	1
15. Hexagonal Flange Nut		
M8	C2S3772	2
16. Cover Plate, LHD	C2S19297	1

# BRAKING

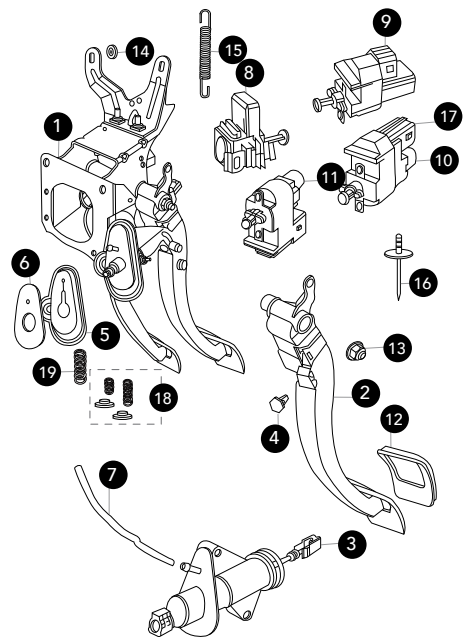
## BRAKE/CLUTCH PEDAL HOUSING

### AUTOMATIC

1. Brake Pedal			
LHD			
To VIN J24711	C2S41447	1	
From VIN J24712	C2S51135	1	
RHD			
To VIN C12401	C2S7225	1	
From VIN C12402	C2S51136	1	
2. Brake Pedal Pad	XR813489	1	
3. Cruise Control Deactivation Switch			
Green, to VIN J02540	C2S3685	1	
4. Brake Stoplamp Switch			
To VIN J02540	C2S3680	1	
From VIN J02541	C2S46705	1	
5. Brake Switch Bracket Rivet	C2S42082	2	
6. Speed Control Switch	C2S46706	1	



3. Clutch Master Cylinder	C2S41449	1	
4. Clutch Pedal Stud	C2S12743	1	
5. Pedal Housing to Body Seal	C2S12744	1	
6. Pedal Housing to Body Seal	C2S41450	1	
7. Clutch Slave Cylinder Flexible Hose	C2S12746	1	
8. Starter Switch	Contact Sales	1	
9. Cruise Control Switch Deactivation Switch			
Green, to VIN J02540	C2S3685	1	
10. Cruise Control Switch Deactivation Switch			
Diesel			
Red-Brown	C2S3683	1	
Red	C2S3682	1	
Petrol	C2S17060	1	
11. Brake Stoplamp Switch			
To VIN J02540	C2S3680	1	
From VIN J02541	C2S46705	1	
12. Clutch/Brake Pedal Pad	C2S12742	1	
13. Nut, M10	C2S1056	1	
14. Hexagonal Nut, M8	C2S3772	4	
15. Clutch Pedal Spring	C2S34897	1	
16. Brake Switch Bracket Rivet	C2S42082	2	
17. Speed Control Switch	C2S46706	1	
18. Clutch Spring	Contact Sales	1	
19. Clutch Spring	Contact Sales	1	



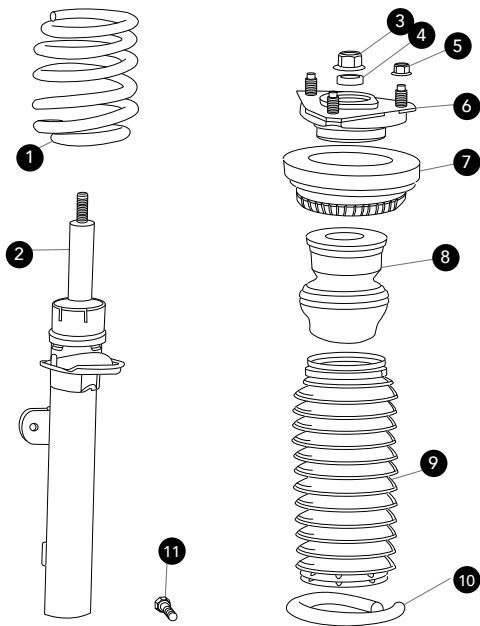
### MANUAL

1. Clutch and Brake Pedal Housing	Contact Sales	1	
2. Clutch Pedal			
LHD	C2N4069	1	
RHD	C2S14962	1	

# STEERING & SUSPENSION

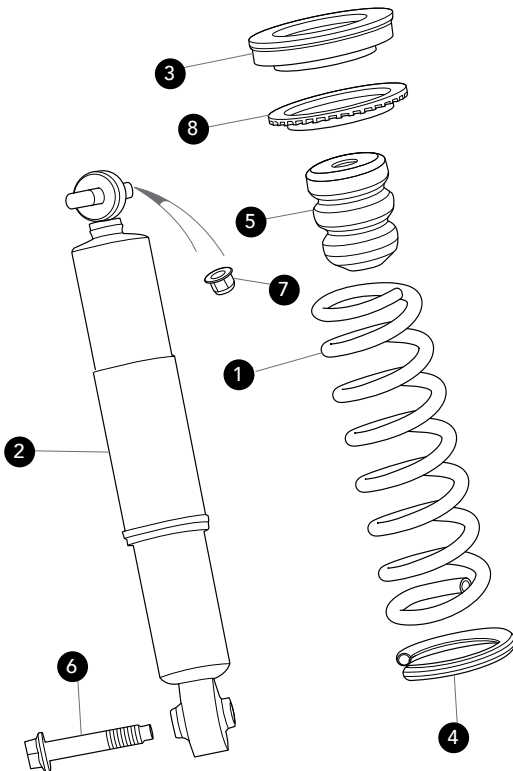
## ROAD SPRINGS & DAMPERS

### FRONT SPRINGS & DAMPERS



1. Front Road Spring	Contact Sales	
2. Damper	Contact Sales	
3. Nut, M12	C2S45703	2
4. Damper Spacer	C2S45702	2
5. Nut, M8	C2S8869	6
6. Spring/Damper Mounting Front Upper	C2S44944	2
7. Front Strut Bearing	C2S30556	2
8. Front Upper Bump Stop	C2S14666	2
9. Damper Gaiter	C2S2407	2
10. Front Spring Protective Sleeve	C2S12028	2
11. Bolt, FWD Auto	C2S49675	1

### REAR SPRINGS & DAMPERS



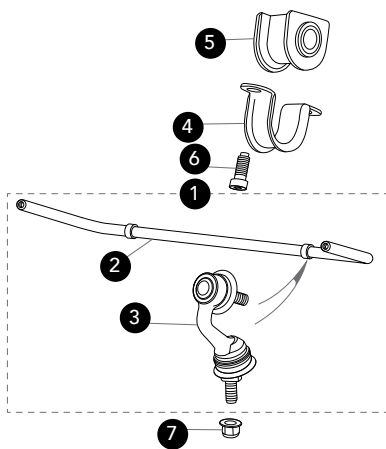
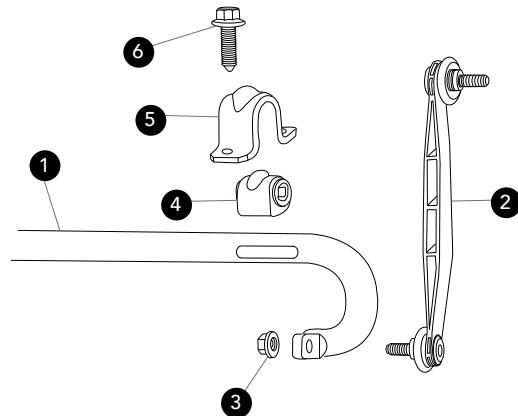
1. Rear Road Spring	Contact Sales	
2. Rear Damper	Contact Sales	
3. Upper Spring Isolator	C2S12151	2
4. Lower Spring Isolator	C2S8586	2
5. Suspension Bump Stop		
Saloon	C2S9225	2
Estate	C2S30429	2
6. Bolt, M14 x 70mm	C2S45733	2
7. Nut, M8		
To VIN J25722	C2S16516	4
From VIN J25723	C2S45276	4
8. Mounting Isolator	C2S19793	2

# STEERING & SUSPENSION

## ANTI-ROLL BARS

### FRONT

1. Front Anti Roll Bar	C2S40916	1
2. Anti Roll Bar Link		
To VIN D14965	C2S3248	2
From VIN D14966	C2S39552	2
3. Nut, M10	C2S45731	4
4. Front Anti Roll Bar Insulator	C2S51258	2
5. Front Anti Roll Bar Clamp	C2S20737	2
6. Bolt, M10 x 25mm	C2S45287	4



### REAR

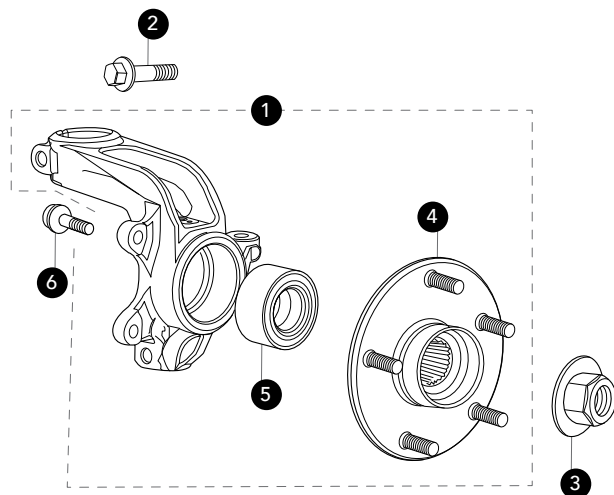
1. Rear Anti Roll Bar Assembly	C2S19910	1
2. Rear Anti Roll Bar	C2S40917	1
3. Anti Roll Bar Link	C2S45009	2
4. Rear Anti Roll Bar Clamp	C2S18106	2
5. Rear Anti Roll Bar Insulator	C2S51264004	2
6. Bolt, M8 x 20mm	C2S45073	4
7. Nut, M10	C2S45731	2

# STEERING & SUSPENSION

## FRONT HUB & VERTICAL LINK

1. Vertical Link		
LH	C2S46814	1
RH	C2S46813	1
2. Damper Bolt, M12	C2S45728	2
3. Hub Nut	C2S51676	2
4. Front Suspension Hub	C2S8056	2
5. Front Wheel Bearing	C2S8276	2
6. Hexagonal Flange Screw, M12		
To VIN J04730	C2S13540	1
7. Wheel Stud, M12 x 42mm	C2S50885	A/R

(not shown)



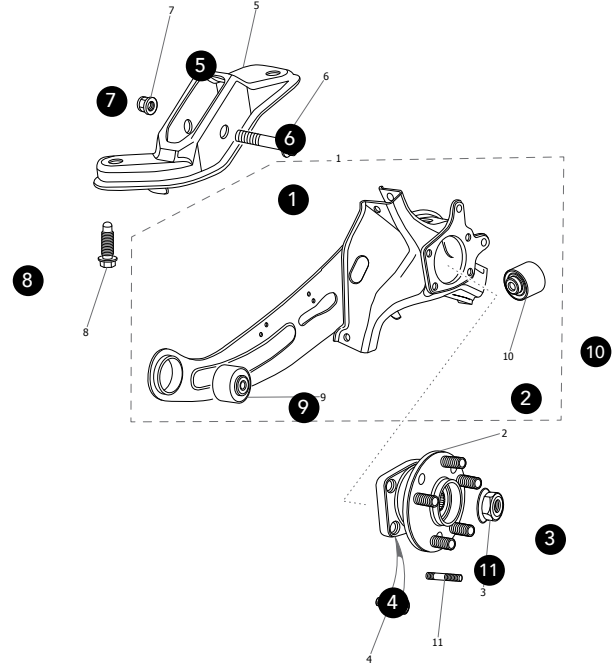


# STEERING & SUSPENSION

## REAR HUB & CARRIER

1. Hub Carrier, All Wheel Drive			
LH Rear	C2S49747	1	
RH Rear	C2S49745	1	
Hub Carrier, Front Wheel Drive			
LH Rear	C2S49748	1	
RH Rear	C2S49746	1	
2. Hub & Bearing Assembly			
All Wheel Drive	C2S46772	2	
Front Wheel Drive	C2S46771	2	
3. Hub Nut			
To VIN J56356	C2S46889	2	
From VIN J56357	C2S51676	2	
4. Bolt, M12 x 30mm	C2S45981	8	
5. Mounting Bracket			
LH, All Wheel Drive	C2S14702	1	
LH, Front Wheel Drive	C2S14701	1	
RH	C2S15586	1	
6. Bolt, M12 x 75mm	C2S45986	2	
7. Flanged Nut, M12	C2P7442	2	

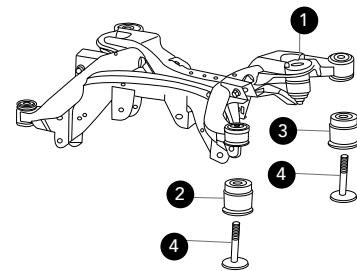
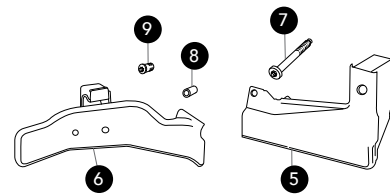
8. Screw/Washer, M12 x 35mm	C2S45982	4
9. Rear Hub Carrier Bush	C2S14739	2
10. Rear Hub Carrier Bush	C2S14740	2
11. Wheel Stud, M12 x 42mm	C2S50885	2



# STEERING & SUSPENSION

## REAR FRAME CARRIER

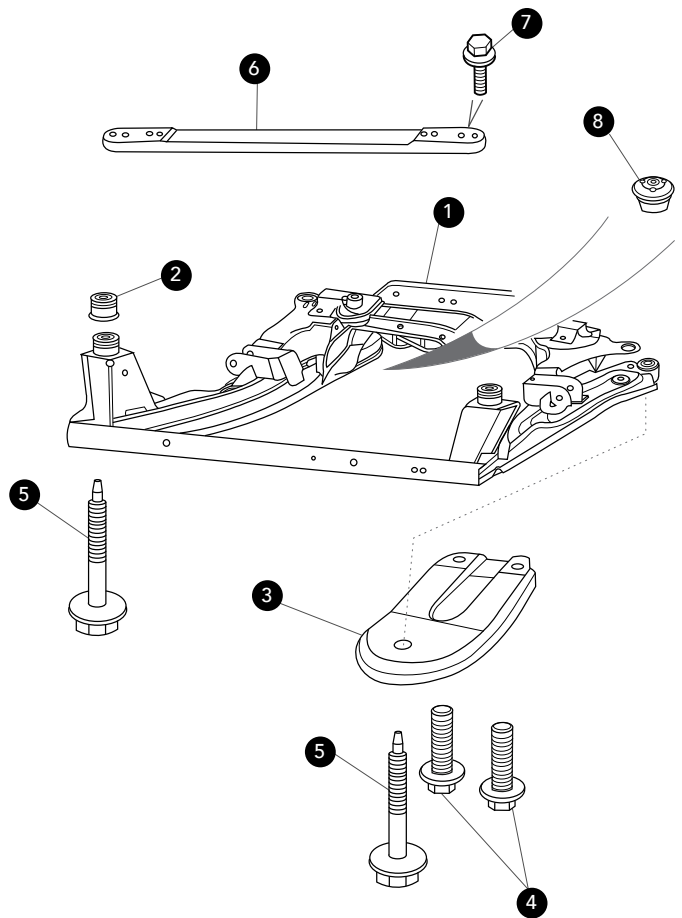
1. Rear Suspension Crossmember			
All Wheel Drive	C2S30513	1	
Front Wheel Drive	C2S35575	1	
2. Crossmember Bush Front	C2S14737	2	
3. Crossmember Bush Rear	C2S14738	2	
4. Bolt & Washer, M12	C2S45976	4	
5. Deflector			
Front Wheel Drive	C2S36245	1	
6. Deflector			
Front Wheel Drive	C2S35574	1	
7. Deflector Bolt, M12 x 80mm	C2S22382	1	
8. Tube Rivet	C2S22383	1	
9. Bolt, M10 x 20mm	C2S22384	1	



# STEERING & SUSPENSION

## FRONT CROSSBEAM

<b>1. Front Crossmember</b>			
All Wheel Drive	C2S49672	1	
Front Wheel Drive			
To VIN J39905	C2S44710	1	
From VIN J39906	C2S49673	1	
<b>2. Crossmember Insulator</b>			
All Wheel Drive	C2S26196	4	
Front Wheel Drive	C2S26196	4	
<b>3. Crossmember Reinforcement</b>			
	Contact Sales		
<b>4. Flange Headed Bolt</b>			
M8 x 16mm			
To VIN C35101	C2S11206	4	
Flange Headed Bolt			
M8 x 20mm			
From VIN C35102	XR853292	4	
<b>5. Bolt &amp; Washer, M14</b>			
	C2S45727	4	
<b>6. Front Crossmember Brace</b>			
	C2S44919	1	
<b>7. Bolt, M12 x 20mm</b>			
From VIN E90002	C2S44713	4	
<b>8. Front Crossmember Damper</b>			
Diesel, Auto			
From VIN J39906	C2S49674	1	

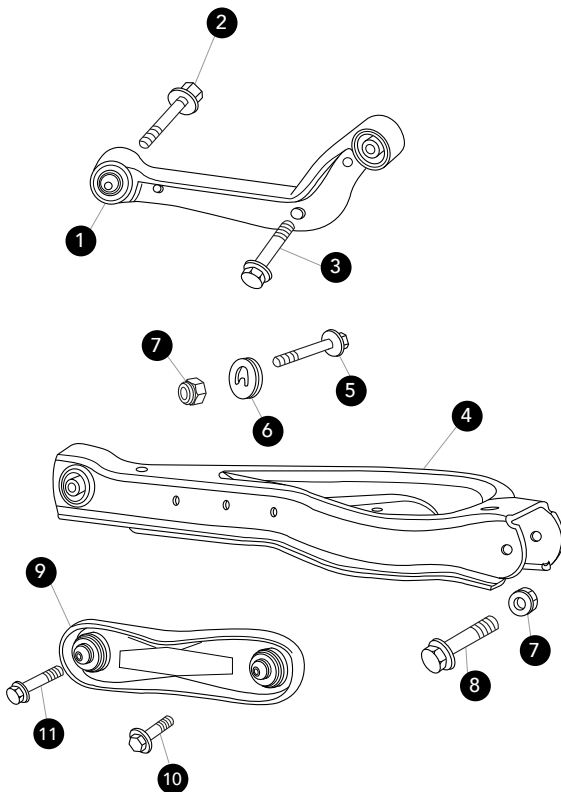
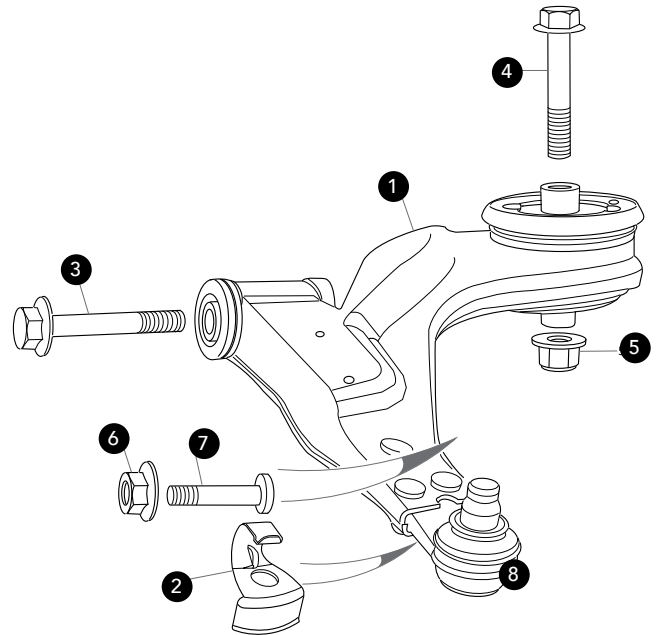


# STEERING & SUSPENSION

## WISHBONES

### FRONT WISHBONES

1. Front Lower Swinging Arm			
LH, Temperate Climate	C2S46699	1	
LH, Hot Climate	C2S46700	1	
RH, Temperate Climate	C2S46697	1	
RH, Hot Climate	C2S46698	1	
2. Cover	C2S7188	2	
3. Bolt, M12 x 100mm	C2S45730	2	
4. Bolt, M12 x 105mm	C2S52468	2	
5. Flanged Nut, M12	C2S42348	2	
6. Hexagonal Flange Nut, M12	C2Z1581	1	
7. Bolt, M12 x 55mm	C2S45729	2	
8. Ball Joint	C2S19367#	2	



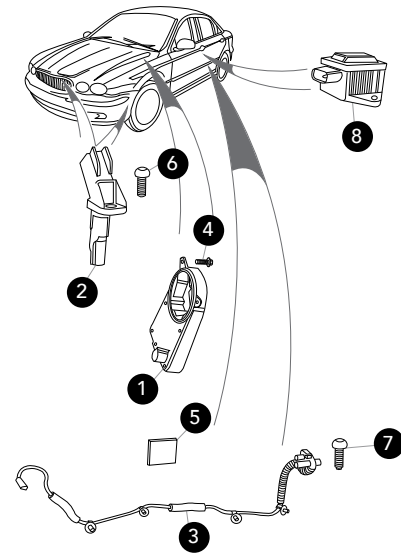
### REAR WISHBONES

1. Rear Control Arm, Upper	C2S39484	2
2. Bolt, M12	C2S45983	2
3. Bolt, M12	C2S45983	2
4. Rear Control Arm, Lower	C2S4713	2
5. Rear Suspension Adjustment Bolt	C2S45980	2
6. Rear Suspension Adjustment Cam	C2S45979	2
7. Flanged Nut, M12	C2S42348	2
8. Bolt, M12 x 75mm	C2S30523	2
9. Rear Control Arm, Front Lower	C2S50863	2
10. Bolt, M12 x 65mm	C2S45983	2
11. Bolt, M12	C2S47052	2

# STEERING & SUSPENSION

## STABILITY & TRACTION CONTROL

1. Steering Rotation Sensor To VIN C57831	C2S4696	1
2. Wheel Speed Sensor	C2S43216	2
3. Wheel Speed Sensor LH Rear	C2S43218	1
RH Rear	C2S43217	1
4. Steering Column Screw	C2S4703	2
5. Anti Rattle Pad	C2S7668	2
6. Front Speed Sensor Screw M5 x 12mm	C2S3668	2
7. Rear Speed Sensor Screw M5 x 16mm	XR825356	2
8. Yaw Rate Sensor To VIN J04730	C2S4701	1
From VIN J04731	C2S39545	1

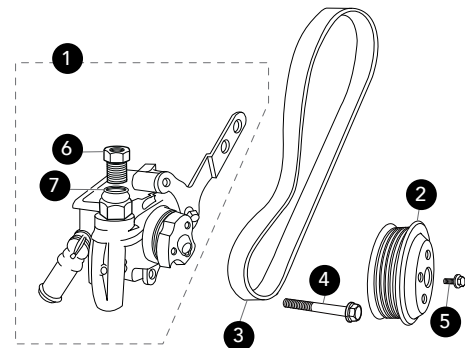
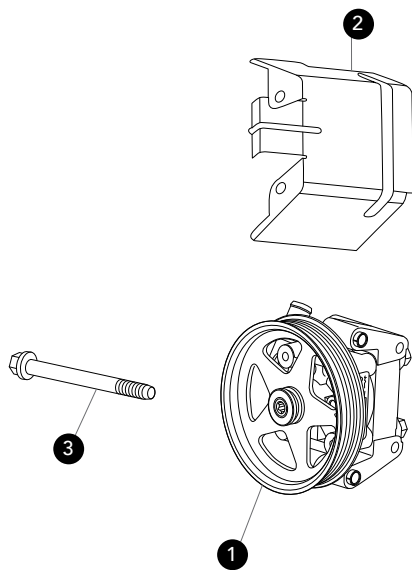


# STEERING & SUSPENSION

## POWER STEERING PUMP

### PETROL

1. Power Steering Pump	C2S47856	1
2. Shield	C2S22462	1
3. Bolt, M8 x 67mm	XR82453	2

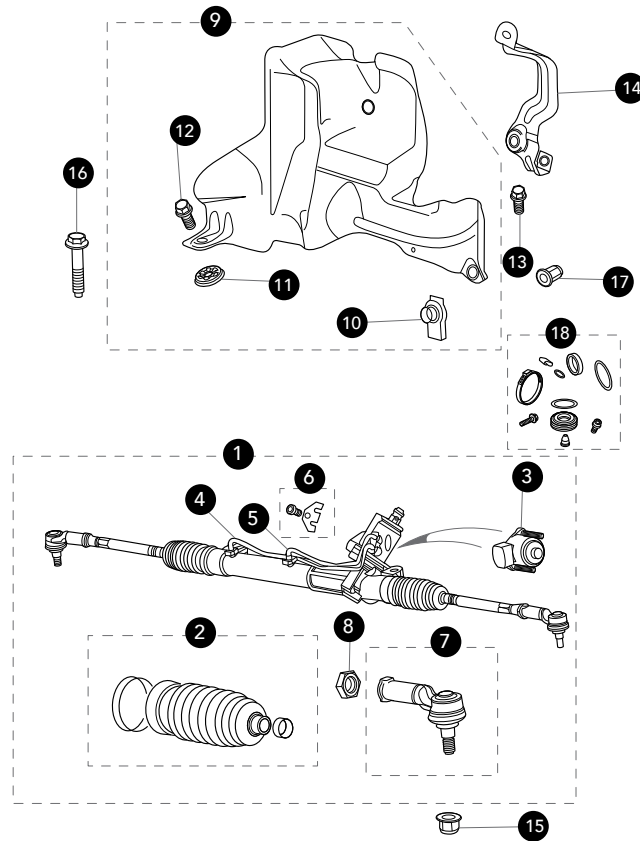


### DIESEL

1. Power Steering Pump Diesel Models	C2S48682	1
2. Pump Pulley	JDE2254	1
3. Rear Accessory Drive Belt	JD1137	1
4. Flange Headed Bolt 2.0 Litre Turbo Diesel	JDE3979	2
5. Bolt, 2.0 Litre Turbo Diesel	C2C22081	3
6. Connector	XR83295	1
7. Sealing Washer	XR85010	1

# STEERING & SUSPENSION

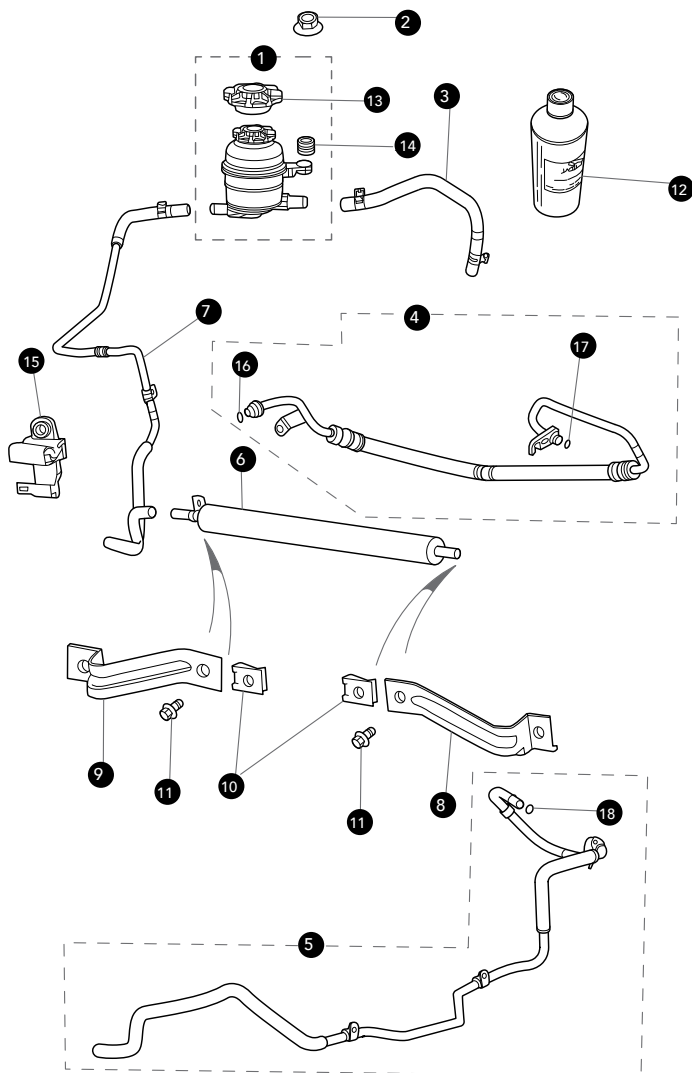
## STEERING RACK



1. Steering Rack LHD			6. PAS Pipe Fitting Kit	C2S12014	1
All wheel Drive			7. Ball Joint	C2S47357	2
Servotronic	C2S43410	1	8. Nut, M16	C2S12021	2
Standard	C2S51561	1	9. Steering Rack Heatshield		
Front Wheel Drive	C2S51561	1	To VIN J24803	C2S16246	1
Steering Rack RHD			From VIN J24804	C2S46702	1
All wheel Drive			10. U' Nut, M5	C2S44995	2
Servotronic	C2S20408	1	11. Push-on Clip	C2S16361	1
Standard	C2S51562	1	12. Bolt, M6 x 20mm	C2C32665	1
Front Wheel Drive	C2S51562	1	13. Hexagon Flanged Screw		
2. Steering Rack Gaiter	C2S12019	2	M5 x 16mm	C2S11624	3
3. Transducer	C2S12020	1	14. Heatshield Mounting Bracket	C2S46703	1
4. Long Transfer Pipe			15. Nut, M10	C2S45731	1
LHD	C2S21314	1	16. Bolt, M14 x 70mm	C2S45733	2
RHD	C2S21016	1	17. Bolt M6		
5. Short Transfer Pipe			From VIN J22262	C2S7237	1
LHD	C2S21315	1	18. Lower Pinion Seal Repair Kit		
RHD	C2S21316	1	Servotronic	C2S43464	1

# STEERING & SUSPENSION

## PAS RESERVOIR & HOSES



1. PAS Reservoir & Cap	C2S34667	1
2. Flanged Nut, M6	XR82713	1
3. PAS Hose, Reservoir to Pump		
Diesel	C2S26897	1
Petrol	C2S8371	1
4. PAS Hose, Pump to Steering Rack		
Diesel, LHD	C2S49302	1
Diesel, RHD	C2S49303	1
Petrol, LHD	C2S45282	1
Petrol, RHD	C2S45283	1

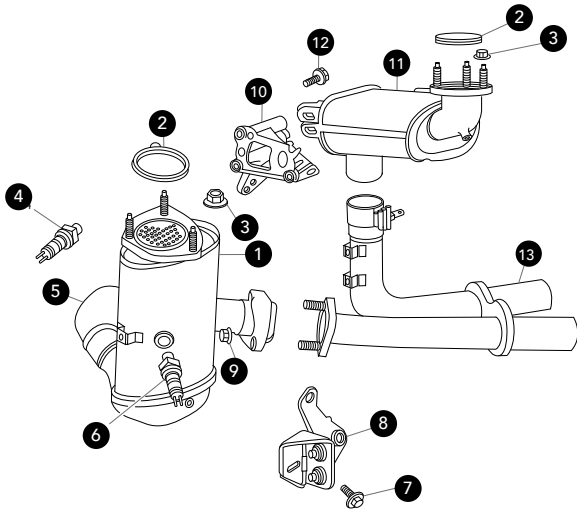
5. PAS Hose, Steering Rack to Cooler		
Diesel, LHD	C2S47477	1
Diesel, RHD	C2S47478	1
Petrol, LHD	C2S45060	1
Petrol, RHD		
To VIN C20383	C2S8375	1
From VIN C20384	C2S45061	1
6. PAS Oil Cooler		
Diesel		
VIN C89199 to VIN E73785	C2S20483	1
From VIN 73786	C2S36259	1
Petrol	C2S20483	1
7. PAS Hose, Cooler to Reservoir		
Diesel		
To VIN E46913	C2S34876	1
From VIN E46913	C2S45483	1
Petrol		
To VIN E46913	C2S31085	1
From VIN E46913	C2S40410	1
8. Mounting Bracket	C2S8722	1
9. Mounting Bracket	C2S8723	1
10. Spring Nut, M6	C2P3689	2
11. Screw/Washer, M6 x 14mm		
To VIN J25541	XR81736	2
From VIN J25542	XR848055	2
12. PAS Fluid, 500ml	C2P10363	1
13. Filler Cap	C2S20049	1
14. Mounting Isolator		
From VIN E08634	C2S20051	2
15. Special Pipe Clip	C2S23852	1
16. Sealing Ring	XR829166	1
17. Sealing Ring	XR829167	1
18. Sealing Ring	XR829167	1

# EXHAUST COMPONENTS

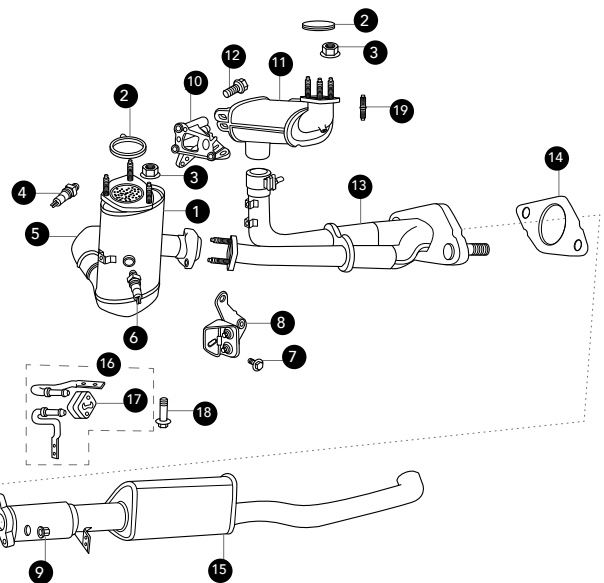
## FRONT PIPES

### 2.0 LITRE PETROL

1. Exhaust Catalyst			
Front	C2S51180	1	
2. Pipe Gasket	C2S2695	1	
3. Flanged Nut	C2C38026	6	
4. Heated Oxygen Sensor			
Exhaust Manifold	C2S51801	2	
5. Exhaust Pipe	C2S6631	1	
6. Heated Oxygen Sensor			
Catalyst	C2S38497	2	
7. Bolt, M8 x 12mm	C2S10630	1	
8. Mounting Bracket	C2S12235	1	
9. Nut, M10	C2S1059	2	
10. Exhaust Mounting	C2S6662	1	
11. Exhaust Catalyst, Rear	C2S51179	1	
12. Hexagon Flange Screw			
M8 x 16mm	C2S9507	4	
13. Exhaust Downpipe	C2S13353	1	



2. Pipe Gasket	C2S2695	1	
3. Flanged Nut	C2C38026	6	
4. Heated Oxygen Sensor			
Exhaust Manifold	C2S51801	2	
5. Exhaust Pipe	C2S6631	1	
6. Heated Oxygen Sensor			
Catalyst	C2S38497	2	
7. Bolt, M8 x 12mm	C2S10630	1	
8. Mounting Bracket	C2S12235	1	
9. Nut	C2S1059	2	
10. Exhaust Mounting Bracket	C2S6662	1	
11. Exhaust Catalyst			
To VIN D39194	C2S21144	1	
From VIN D39195	C2G2095	1	
From VIN E45387			
3.0 Litre Petrol			
CAN/MEX/USA	C2S37066	1	
12. Bolt, M10 x 25mm			
From VIN E46483	C2SS45287	1	
13. Y-Piece	C2S9550	1	
14. Exhaust Gasket	C2S2755	1	
15. Intermediate Exhaust Pipe	C2S45119	1	
16. Exhaust Hanger	C2S8445	1	
17. Exhaust Mounting Rubber	C2S2758	1	
18. Hexagon Flange Screw			
M8 x 16mm	C2S9507	4	
19. Stud	C2S9536	5	



### 2.5/3.0 LITRE PETROL

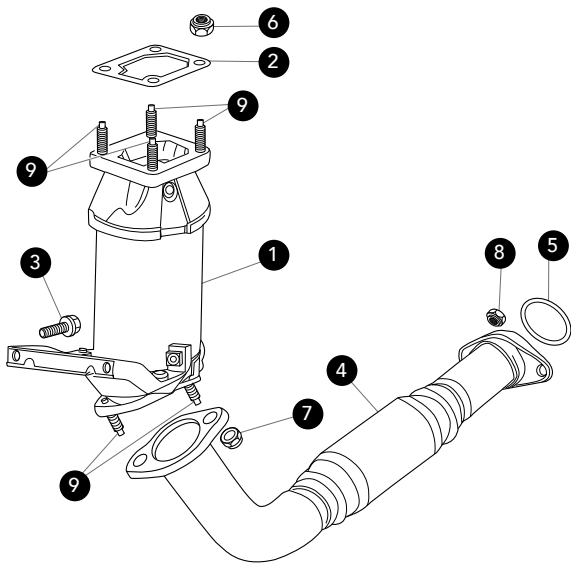
1. Exhaust Catalyst			
To VIN D39194	C2S21143	1	
From VIN D39195	C2G2094	1	
3.0 Litre Petrol			
From VIN E45387			
CAN/USA/MEX	C2S37067	1	

# EXHAUST COMPONENTS

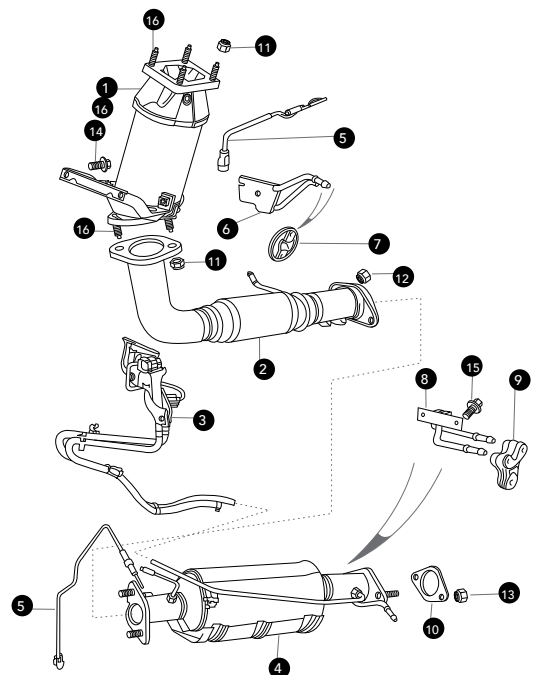
## FRONT PIPES

### DIESEL

1. Exhaust Catalyst			
2.0 Litre Turbo Diesel			
To VIN E46913	C2S36557	1	
From VIN E46914	C2S38499	1	
2.2 Litre Turbo Diesel			
From VIN E73994	C2S41425	1	
2. Catalyst to Turbo Gasket	C2S27230	1	
3. Catalyst Bracket to Engine Bolt	JDE2798	2	
4. Exhaust Downpipe	C2S26946	1	
5. Sealing Ring	C2S26947	1	
6. Catalyst to Turbo Nut, M10	C2S1059	4	
7. Downpipe to Catalyst Nut			
M10	C2S1059	2	
8. Downpipe to Intermediate Nut			
M10	C2S1059	2	
9. Stud	C2S46911	6	



3. Exhaust Sensor Pipe			
2.2 Litre Turbo Diesel	C2S44658	1	
4. Exhaust Particulate Filter			
2.2 Litre Turbo Diesel	C2S44453	1	
5. Thermal Sensor			
2.2 Litre Turbo Diesel	C2S44066	2	
6. Exhaust Hanger			
2.2 Litre Turbo Diesel	C2S44044	1	
7. Insulator	C2S9577	1	
8. Exhaust Hanger			
2.2 Litre Turbo Diesel	C2S44046	1	
9. Insulator			
2.2 Litre Turbo Diesel	C2S44045	1	
10. Gasket			
2.2 Litre Turbo Diesel	C2S44048	1	
11. Catalyst to Turbo Nut, M10	C2S1059	6	
12. Downpipe to Diesel			
Particulate Filter Nut, M10	C2S1059	2	
13. Diesel Particulate Filter			
to Intermediate Nut, M10	C2S1059	2	
14. Catalyst Bracket to Engine Bolt			
M8 x 16mm	JDE2798	2	
15. Hanger to Underbody Bolt			
M8 x 16mm	JDE2798	2	
16. Stud	C2S46911	6	



### DIESEL PARTICULATE FILTER

1. Exhaust Catalyst			
2.2 Litre Turbo Diesel	C2S44659	1	
2. Exhaust Downpipe			
2.2 Litre Turbo Diesel	C2S44049	1	

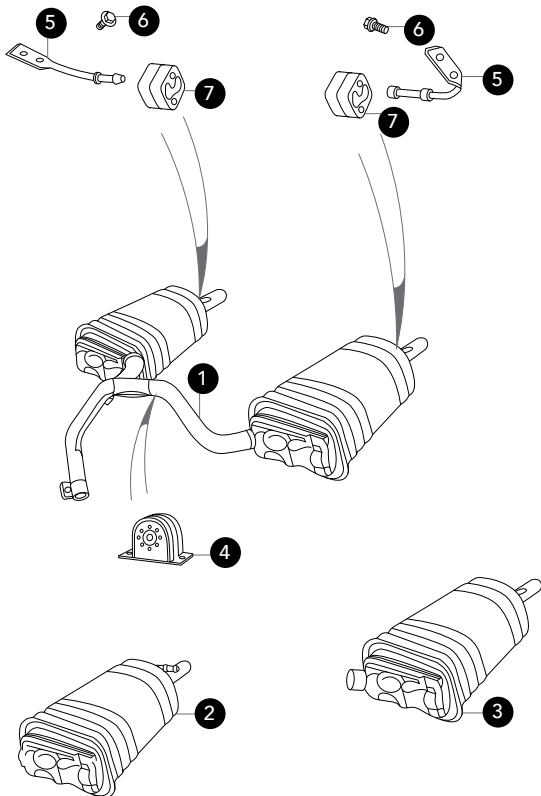
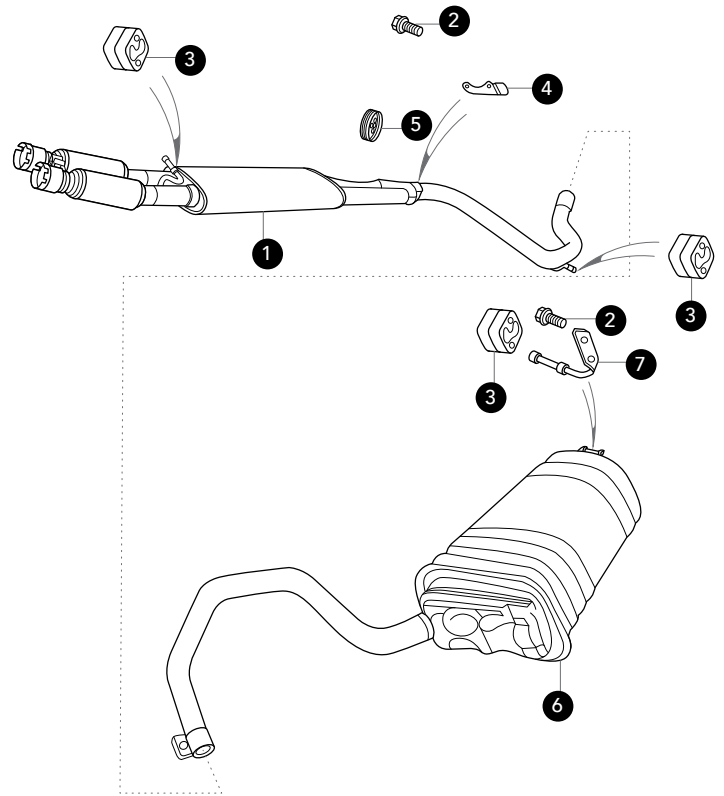


# EXHAUST COMPONENTS

## REAR PIPES

### 2.0 LITRE PETROL

1. Exhaust Silencer, Front	C2S34406	1
2. Hexagon Flange Screw M8 x 16mm	C2S9507	4
3. Exhaust Mounting Rubber	C2S2758	2
4. Mounting Bracket	C2S9574	1
5. Insulator	C2S9577	1
6. Exhaust Tailpipe	C2S43953	1
7. Exhaust Mounting Bracket	C2S8448	1



### 2.5/3.0 LITRE PETROL

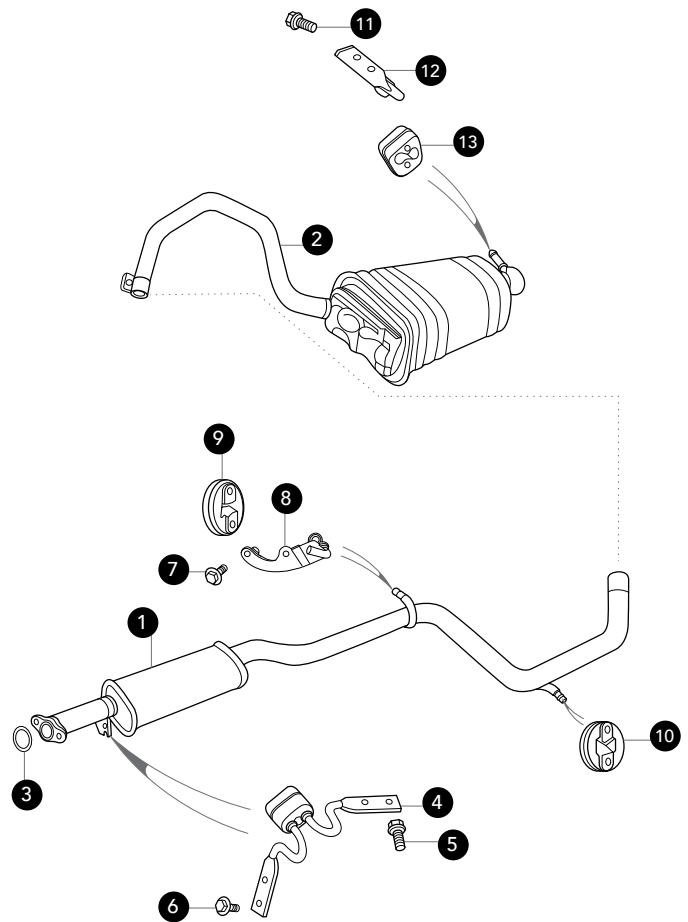
1. Twin Exhaust Tailpipe	C2S43952	1
2. Exhaust Silencer RH	C2S43950	1
3. Exhaust Silencer LH	C2S43951	1
4. Exhaust Rear Mounting	C2S40443	1
5. Exhaust Mounting Bracket		
LH	C2S8448	1
RH	C2S8446	1
6. Hexagon Flange Screw M8 x 16mm	C2S9507	4
7. Exhaust Mounting Rubber		
All Wheel Drive	C2S2758	1

# EXHAUST COMPONENTS

## REAR PIPES

### DIESEL

1. Intermediate Exhaust Pipe Diesel Particulate Filter Without Silencer	C2S44452	1
Without Diesel Particulate Filter	C2S44379	1
2. Exhaust Silencer/Tail Pipe Assembly	C2S43954	1
3. Sealing Ring 2.0 Litre Turbo Diesel	C2S26947	1
4. Exhaust Hanger 2.0 Litre Turbo Diesel	C2S26925	1
5. Hexagon Flange Screw M8 x 16mm	C2S9507	2
6. Hexagon Flange Screw M8 x 16mm	C2S9507	1
7. Hexagon Flange Screw M8 x 16mm	C2S9507	2
8. Mounting Bracket	C2S9574	1
9. Insulator	C2S9577	1
10. Insulator	C2S9577	1
11. Hexagon Flange Screw M8 x 16mm	C2S9507	2
12. Exhaust Mounting Bracket	C2S8448	1
13. Exhaust Mounting Rubber	C2S2758	1



# EXHAUST COMPONENTS

## QUICKSILVER EXHAUST SYSTEM



### 1. Rear Sports Exhaust System

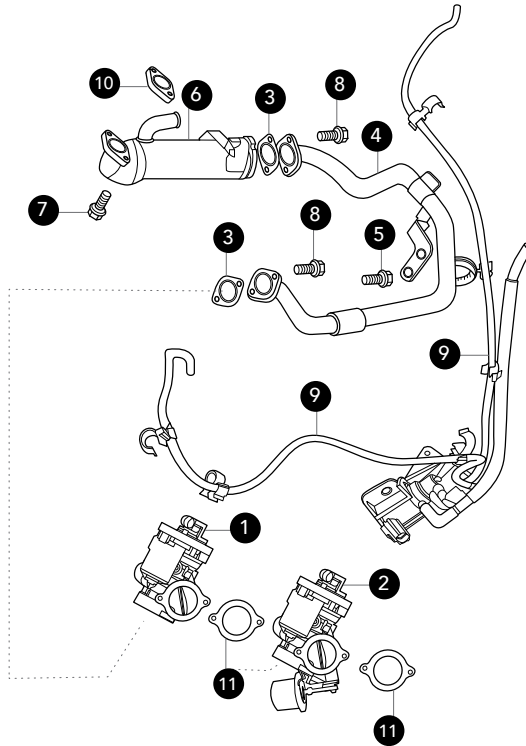
2.5/3.0 Litre Petrol  
2000 Onwards

QSSJR249S

1

# EXHAUST COMPONENTS

## EGR VALVES

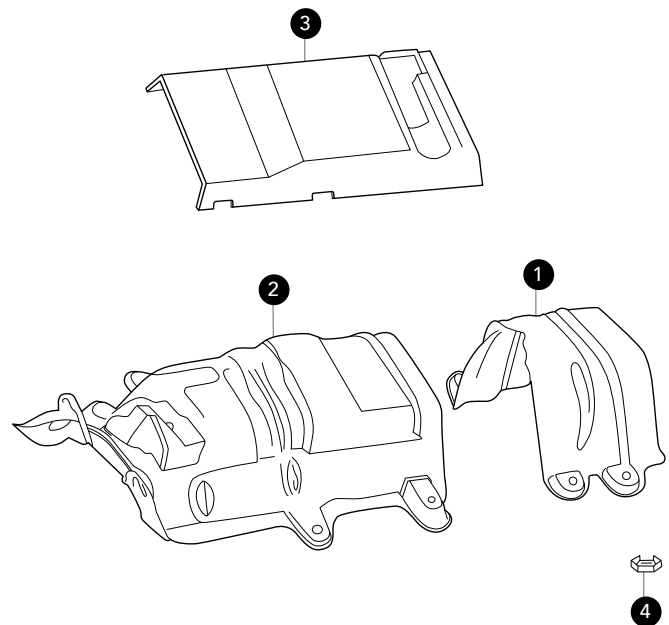


Please contact our sales team for full parts information on EGR Valves

# EXHAUST COMPONENTS

## HEAT SHIELDS

1. Heat Shield			
Intermediate	C2S25256	1	
2. Heat Shield			
Front Upper			
Diesel with Particulate Filter	C2S44688	1	
Without Diesel Particulate Filter	C2S44763	1	
Petrol	C2S25672	1	
3. Tunnel Liner			
To VIN E74716	C2S40533	1	
From VIN E74717	C2S43405	1	
4. Special Nut	C2S10685	6	



# BODY

## BOLTED BODY PANELS

### BONNET, WING, DOOR & BOOT LID - SALOON

#### 1. Door Panel Assembly

LH Front	C2S42630	1
RH Front	C2S42629	1

#### 2. Door Skin Panel

LH Front	C2S42314	1
RH Front	C2S42313	1

#### 3. Door Panel Assembly

LH Rear	C2S42632	1
RH Rear	C2S42631	1

#### 4. Door Skin Panel

LH Rear	C2S42316	1
RH Rear	C2S42315	1

#### 5. Bonnet Panel

With Leaper	C2S39488	1
Without Leaper	C2S39487	1

#### 6. Boot Lid Panel

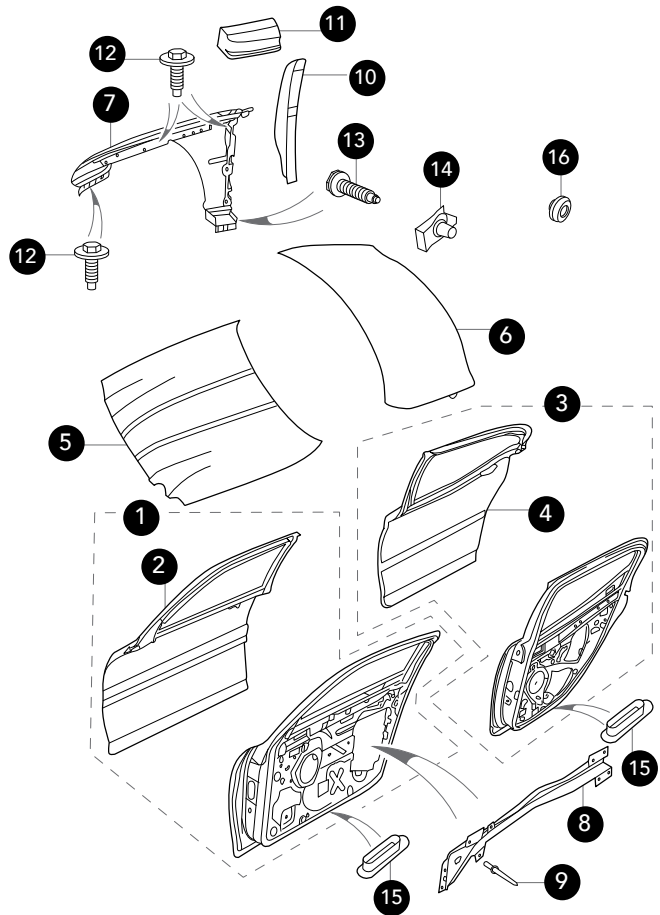
With Spoiler		
To VIN J39905	C2S38531	1
From VIN J39906	C2S51190	1
Without Spoiler		
To VIN J39905	C2S38526	1
From VIN J39906	C2S51189	1

#### 7. Front Wing Panel

LH	C2S23560	1
RH	C2S23559	1

#### 8. Door Handle Reinforcement

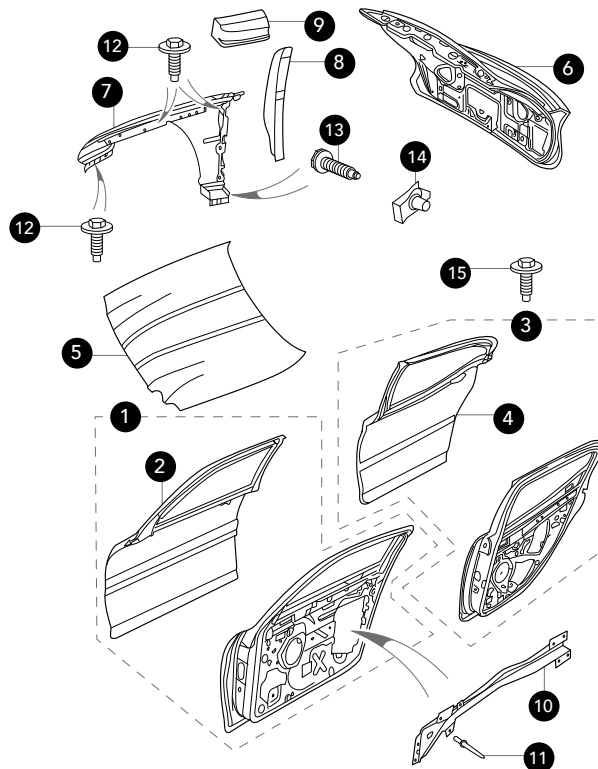
LH Front	C2S16586	1
RH Front	C2S16585	1



9. Reinforcement to Door Rivet	C2S11253	9
10. Insulation		
Diesel	C2S39446	2
11. Insulation		
Diesel	C2S32543	2
12. Wing to Body Screw/Washer		
M6 x 20mm	C2P4787	7
13. Wing to Body Screw/Washer		
Pan Head	C2S4818	2
14. Wing to Body Spring Nut		
M6	C2C26895	2
15. Door Bottom Edge Plug	C2S8648	4
16. Plug, 20mm	C2S6865	2

### BONNET, WING, DOOR & TAILGATE - ESTATE

1. Door Panel Assembly			7. Front Wing Panel		
LH Front	C2S42630	1	LH	C2S23560	1
RH Front	C2S42629	1	RH	C2S23559	1
2. Door Skin Panel			8. Insulation, Diesel		
LH Front	C2S42314	1	9. Insulation, Diesel	C2S39446	2
RH Front	C2S42313	1	10. Door Handle Reinforcement		
3. Door Panel Assembly			LH Front	C2S16586	1
LH Rear	C2S42634	1	RH Front	C2S16585	1
RH Rear	C2S42633	1	11. Reinforcement to Door Rivet		
4. Door Skin Panel			12. Wing to Body Screw/Washer		
LH Rear	C2S42318	1	M6 x 20mm	C2P4787	7
RH Rear	C2S42317	1	13. Wing to Body Screw/Washer		
5. Bonnet Panel			Pan Head	C2S4818	2
With Leaper	C2S39488	1	14. Wing to Body Spring Nut		
Without Leaper	C2S39487	1	M6	C2C26895	2
6. Tailgate Panel			15. Tailgate to Hinge Screw/Washer		
Less Hinges	C2S31188	1	M6 x 15mm	C2C4086	2



# BODY

## WHEELARCH LINERS

### 1. Wheelarch Liner

LH Front	C2S48126	1
RH Front	C2S48125	1

### 2. Wheelarch Liner

LH Rear, to VIN J39905	C2S48128	1
LH Rear, from VIN J39906	C2S47851	1
RH Rear, to VIN J39905	C2S48127	1
RH Rear, from VIN J39906	C2S47850	1

### 3. Front Splash Guard

Diesel

LH Wheelarch	C2S40354	1
RH Wheelarch	C2S49622	1

Petrol

LH Wheelarch	C2S16152	1
RH Wheelarch	C2S15890	1

### 4. Rear Splash Guard

From VIN D56011

LH Wheelarch	C2S28479	1
RH Wheelarch	C2S28478	1

### 5. Spring Nut

XR848059	2
----------	---

### 6. Plastic Nut, M6

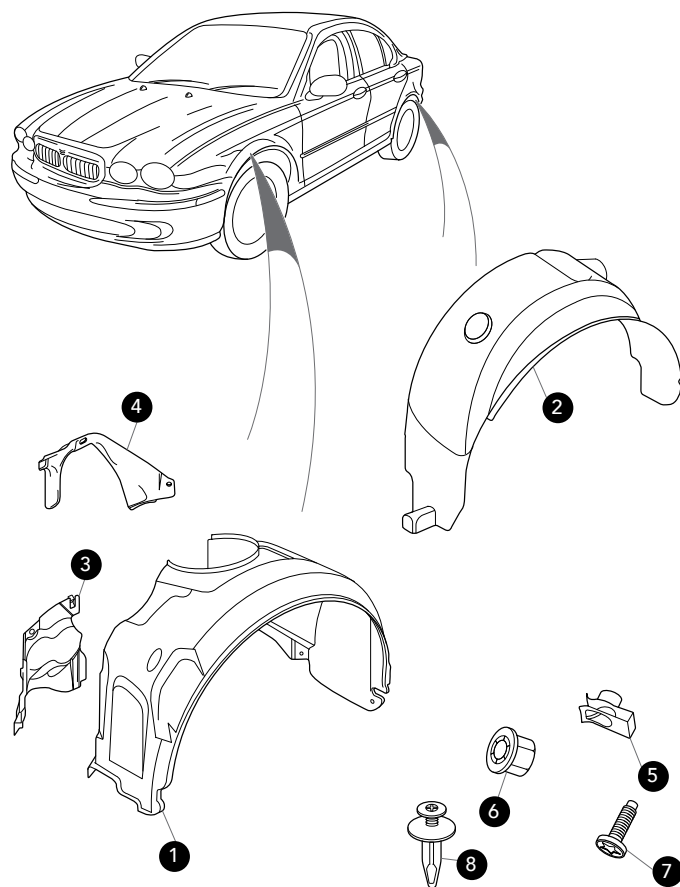
C2S18295	2
----------	---

### 7. Screw/Washer, M6

C2S45016	2
----------	---

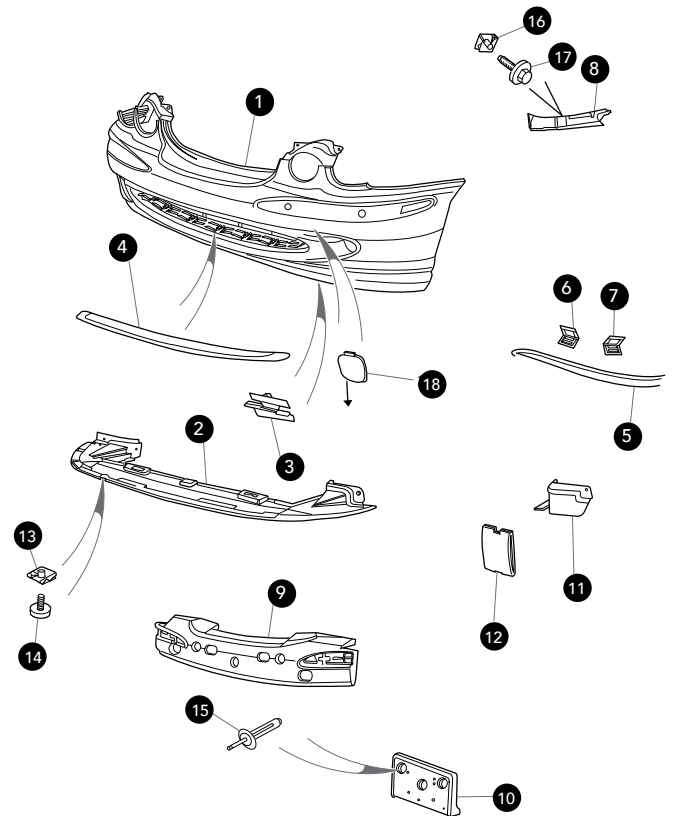
### 8. Retaining Clip

C2S40065	6
----------	---



## FRONT BUMPER TO VIN J39905

1. Bumper Cover			
Primer Painted			
Headlamp Powerwash			
To VIN D55321	C2S5400XXX	1	
VIN D55322 to VIN E17540			
Front Parking Aid	C2S27957XXX	1	
Without Front Parking Aid	C2S27955XXX	1	
From VIN E17541			
Front Parking Aid	C2S43385XXX	1	
Without Front Parking Aid	C2S43383XXX	1	
Without Headlamp Powerwash			
To VIN D55321	C2S25399XXX	1	
VIN D55322 to VIN E17540			
Front Parking Aid	C2S27956XXX	1	
Without Front Parking Aid	C2S27954XXX	1	
From VIN E17541			
Front Parking Aid	C2S43384XXX	1	
Without Front Parking Aid	C2S43382XXX	1	
2. Valance Panel	C2S40956	1	
3. Lower Bumper Cover			
LH, to VIN D55321	C2S8602	1	
RH, to VIN D55321	C2S8806	1	
4. Splitter Vane			
VIN D55322 to VIN D56271	C2S20488	1	
5. Front Bumper Moulding			
LH, Chrome	C2S18808	1	
LH, Primer Painted	C2S18766XXX	1	
RH, Chrome	C2S18807	1	
RH, Primer Painted	C2S18765XXX	1	
6. Retainer	C2S47633	8	
7. Retainer	C2S18812	1	
8. Bumper Mounting Bracket			
LH	C2S8805	1	
RH	C2S8804	1	
9. Foam Insert			
To VIN D55321	C2S11805	1	
VIN D55322 to VIN J39905	C2S25897	1	
10. Number Plate Plinth			
Small Rectangular Plate	XR87624	1	
Large Rectangular Plate	C2S3405	1	
Square Number Plate	C2S3404	1	



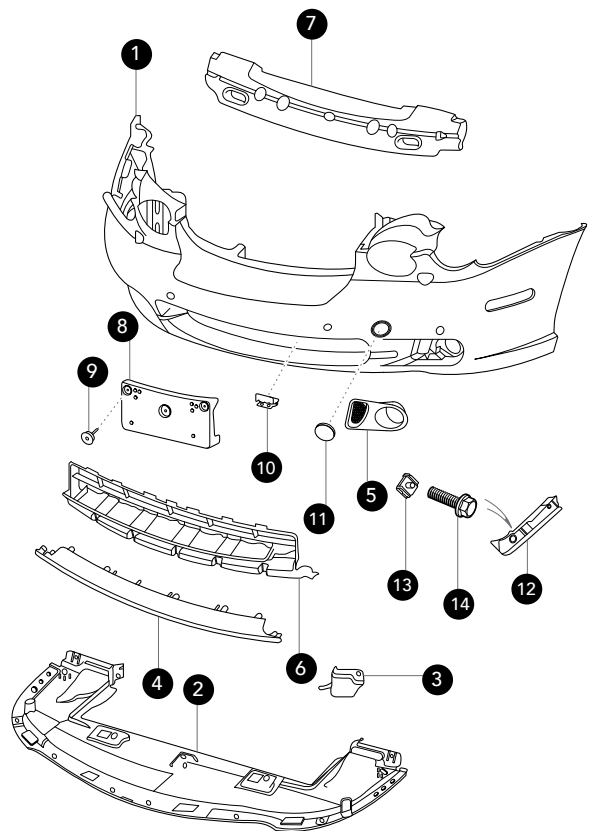
11. Wind Deflector			
LH	C2S9356	1	
RH	C2S9355	1	
12. Insert			
To VIN D55321	C2S18058	1	
VIN D55322 to VIN J39905			
LH	C2S23756	1	
RH	C2S23015	1	
13. Spring Nut	C2C35071	7	
14. Pan Head Screw/Washer	C2S45016	7	
15. Number Plate Plinth to Bumper Rivet	XR813185	1	
16. Spring Nut	C2C26895	2	
17. Bolt, M6 x 20mm	C2C32665	2	
18. Towing Eye Cover			
Primer Painted			
VIN D55322 to VIN J39905	C2S27556XXX	1	

# BODY

## FRONT BUMPERS

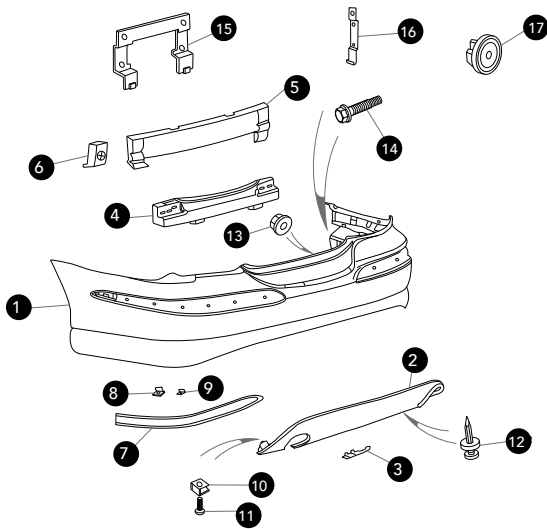
### FRONT BUMPER FROM VIN J39906

1. Bumper Cover			
Primer Painted			
Front Parking Aid			
Headlamp Powerwash	C2S47187XXX	1	
Without Headlamp Powerwash	C2S47186XXX	1	
Without Front Parking Aid			
Headlamp Powerwash	C2S47185XXX	1	
Without Headlamp Powerwash	C2S47184XXX	1	
2. Valance Panel	C2S49253	1	
3. Wind Deflector			
LH	C2S9356	1	
RH	C2S9355	1	
4. Splitter Vane			
Chrome	C2S49254	1	
5. Lower Cover			
LH	C2S49268	1	
RH	C2S49267	1	



6. Lower Centre Cover	C2S49272	1
7. Foam Insert	C2S49270	1
8. Number Plate Plinth		
Large Rectangular Number Plate	C2S47183	1
Square Number Plate	C2S47182	1
9. Number Plate Plinth to Bumper Rivet	XR813185	1
10. Grille Mesh to Bumper Clip	C2P16204	11
11. Towing Eye Cover		
Primer Painted	C2S47381XXX	1
12. Bumper Mounting Bracket		
LH	C2S8805	1
RH	C2S8804	1
13. Spring Nut, M6	C2C26895	2
14. Bracket and Bumper Fixing Bolt		
M6 x 20mm	C2C32665	1





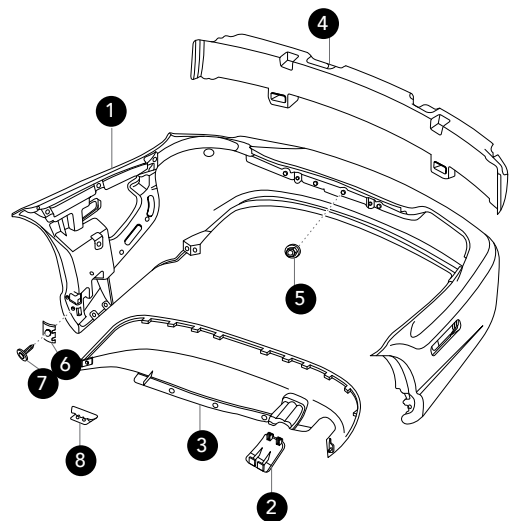
## REAR BUMPER SALOON TO VIN J39905

1. Bumper Cover			
Primer Painted	C2S38521XXX	1	
2. Lower Extension			
2.5/3.0 Litre Petrol			
Rear Parking Aid	C2S18803	1	
Except Rear Parking Aid	C2S16148	1	
All Other Models			
Rear Parking Aid	C2S18805	1	
Except Rear Parking Aid	C2S18804	1	
3. Towing Eye Cover	C2S5742	1	
4. Upper Support	C2S8559	1	
5. Lower Support	C2S14751	1	
6. Insert	C2S36935	1	
7. Moulding			
Short (USA/CAN)			
LH, Chrome	C2S11339	1	
LH, Primer Painted	C2S12047XXX	1	
RH, Chrome	C2S11337	1	
RH, Primer Painted	C2S12045XXX	1	
Long			
LH, Chrome	C2S18810	1	
LH, Primer Painted	C2S18768XXX	1	
RH, Chrome	C2S18809	1	
RH, Primer Painted	C2S18767XXX	1	
8. Retainer	C2S47633	1	
9. Retainer	C2S18812	1	

10. Spring Nut, M6	C2C35071	7
11. Screw/Washer	C2S45016	1
12. Blind Rivet	C2S9354	3
13. Flange Nut, M6	C2S13843	4
14. Bolt, M6 x 20mm	C2C32665	1
15. Number Plate Bracket		
Small Number Plate	XR814044	1
16. Number Plate Bracket		
Small Number Plate	XR831075	1
17. Insert	C2S12238	2

## REAR BUMPER SALOON FROM VIN J39906

1. Bumper Cover			
Primer Painted			
Rear Parking Aid	C2S48498XXX	1	
Without Rear Parking Aid	C2S48496XXX	1	
2. Towing Eye Cover	C2S5742	1	
3. Lower Extension			
2.5/3.0 Litre Petrol	C2S49262	1	
All Other	C2S49263	1	
4. Support	C2S49271	1	
5. Nut and Washer, M6	C2C22719	4	
6. Spring Nut, M6	C2C35071	8	
7. Pan Head Screw/Washer, M6	C2S45016	8	
8. Rear Bumper to Body Clip	C2S51383	2	

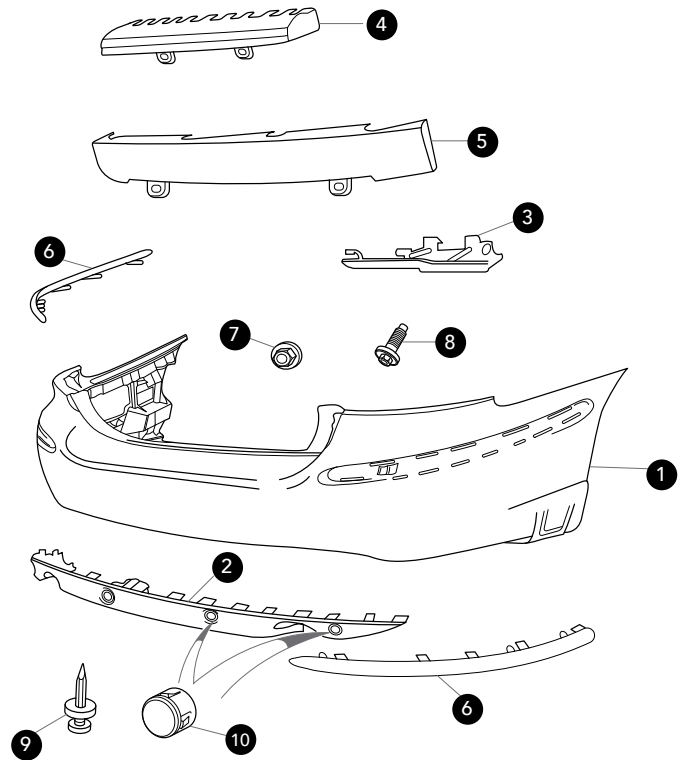


# BODY

## REAR BUMPERS

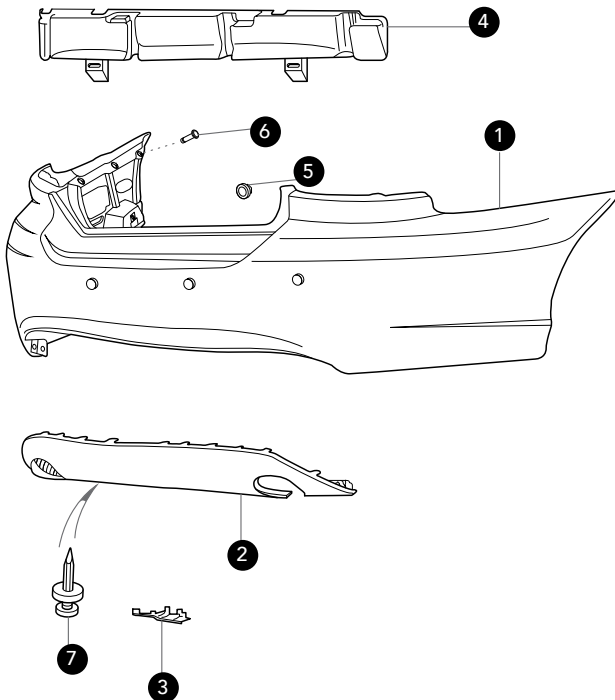
### REAR BUMPER ESTATE TO VIN J39905

1. Bumper Cover			
Primer Painted	C2S39024XXX	1	
2. Lower Extension			
2.5/3.0 Litre Petrol	C2S20673	1	
All Other	C2S20674	1	
3. Towing Eye Cover	C2S5742	1	
4. Lower Support	C2S20679	1	
5. Upper Support	C2S20680	1	
6. Moulding			
LH, Chrome	C2S23202	1	
LH, Primer Painted	C2S26325XXX	1	
RH, Chrome	C2S23201	1	
RH, Primer Painted	C2S26324XXX	1	
7. Nut and Washer, M6	XR86112	4	
8. Bolt, M6 x 20mm	C2C32665	4	
9. Blind Rivet	C2S9354	1	
10. Plug	C2S23199	4	



### REAR BUMPER ESTATE FROM VIN J39906

1. Bumper Cover			
Primer Painted			
Rear Parking Aid	C2S47194XXX	1	
Without Rear Parking Aid	C2S47192XXX	1	
2. Lower Extension			
2.5/3.0 Litre Petrol	C2S49275	1	
All Other	C2S49276	1	
3. Towing Eye Cover	C2S5742	1	
4. Lower Support	C2S49281	1	
5. Nut and Washer, M6	C2C22719	8	
6. Pan Head Screw/Washer			
M6	C2S45016	8	
7. Blind Rivet	C2S9354	3	



## GRILLE TO VIN J39905

### 1. Radiator Grille

#### Chrome Surround

Chrome Grille	C2S38388	1
Chrome Mesh Grille	C2S43210	1
Painted Grille	C2S38387	1
Black Mesh Grille	C2S43404XXX	1

#### Primer Painted

To VIN C50259	C2S8715XXX	1
VIN C50260 to VIN E30458	C2S36961XXX	1
VIN E30458 to VIN J39905	C2S38384XXX	1

#### Primer Painted Surround, Painted Mesh Grille, Black

Indianapolis	C2S28247XXX	1
--------------	-------------	---

#### Primer Painted Surround, Polished Mesh

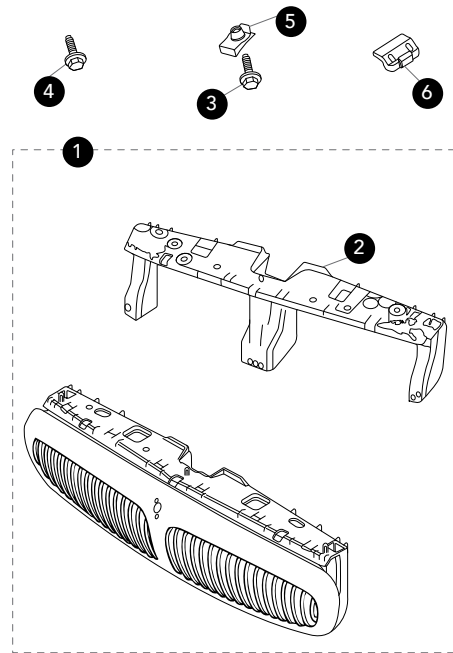
	C2S43209XXX	1
--	-------------	---

### 2. Bracket

	C2S39025	1
--	----------	---

### 3. Grille to Bonnet Screw/Washer

M6 x 15mm	C2C4086	4
-----------	---------	---



### 4. Grille to Bonnet Bolt and Washer

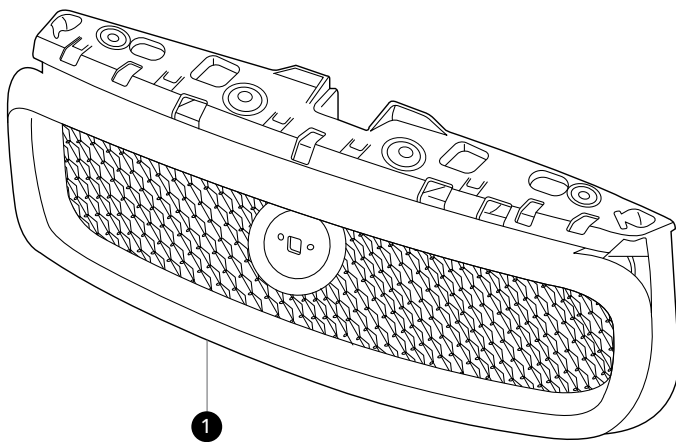
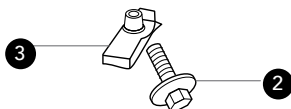
M6 x 16mm	C2C41468	4
-----------	----------	---

### 5. Spring Nut, M6

C2C26895	4
----------	---

### 6. Rubber Pad

C2S20493	2
----------	---



## GRILLE FROM VIN J39906

### 1. Primer Painted Surround, Chrome Grille

C2S46905XXX	1
-------------	---

### 2. Grille to Bonnet Spring Nut M6

C2C26895	4
----------	---

### 3. Grille to Bonnet Bolt and Washer

M6 x 16mm	C2C41468	4
-----------	----------	---



# BODY

## EXTERIOR DOOR MIRRORS

### TO VIN J39905

#### 1. Door Mirror

Less Glass and Backcover

Power Park

Memory Mirror, 3 Wire, LH	C2S51671	1
Memory Mirror, 3 Wire, RH	C2S51668	1
Non-Memory Mirror - 7 Wire, LH	C2S50240	1
Non-Memory Mirror - 7 Wire, RH	C2S50238	1

Non-Power Park

Memory Mirror - 3 Wire, LH	C2S51665	1
Memory Mirror - 3 Wire, RH	C2S51662	1
Non-Memory Mirror - 5 Wire, LH	C2S50236	1
Non-Memory Mirror - 5 Wire, RH	C2S50234	1

#### 2. Mirror Backcover

LH, Chrome	C2C9191	1
LH, Primer Painted	C2S39141XXX	1
RH, Chrome	C2C9189	1
RH, Primer Painted	C2S39140XXX	1

#### 3. Door Mirror Glass

Convex, with Warning, LH	Contact Sales	1
Convex, with Warning, RH	Contact Sales	1
Convex, without Warning	C2S43254	2
Flat, without Warning	C2S3253	2

#### 4. Door Mirror Motor

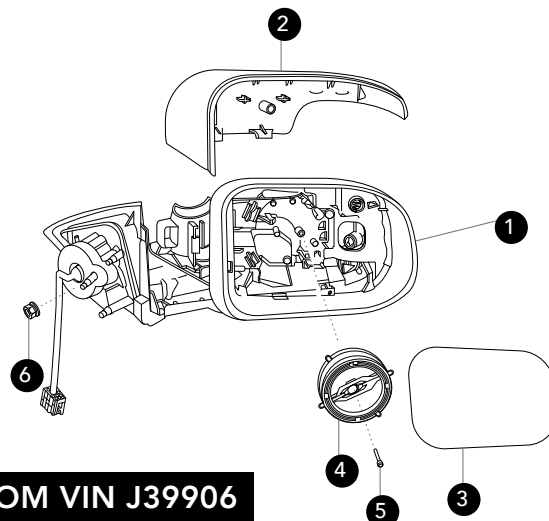
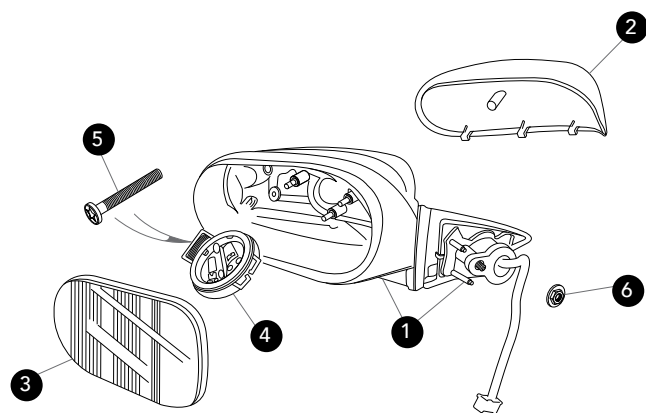
Memory Mirror	C2P11142	1
Non-Memory Mirror	C2S45221	1

#### 5. Screw

C2S11785	3
----------	---

#### 6. Nut, M8

JFN10804B	1
-----------	---



### FROM VIN J39906

#### 1. Door Mirror

Less Glass and Backcover

Memory Mirror - 5 Wire

Power Park, LH	C2S51673	1
Power Park, RH	C2S51670	1
Non-Power Park, LH	C2S49906	1
Non-Power Park, RH	C2S49904	1

Non-Memory Mirror

Power Park - 9 Wire

LH	C2S51672	1
RH	C2S51669	1

Non-Power Park - 7 Wire

LH	C2S51666	1
RH	C2S51663	1

#### 2. Mirror Backcover

LH, Chrome	C2C39497	1
LH, Primer Painted	C2C39495XXX	1
RH, Chrome	C2C39494	1
RH, Primer Painted	C2C39492XXX	1

#### 3. Door Mirror Glass

Convex, with Warning, RH	C2Z15851	1
Convex, without Warning		
LH	C2C37094	1
RH	C2Z15848	1
Flat, without Warning, LH	C2S49902	1

#### 4. Door Mirror Motor

Memory Mirror	C2C37100	1
Non-Memory Mirror	JDE8944	1

#### 5. Screw

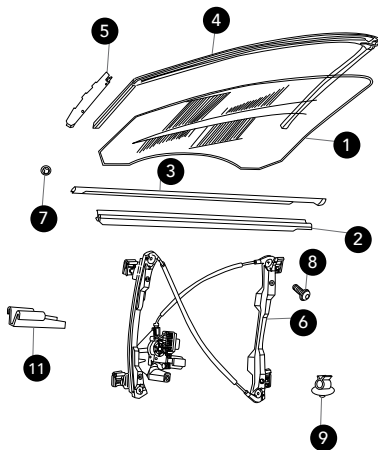
C2S11785	3
----------	---

#### 6. Nut, M8

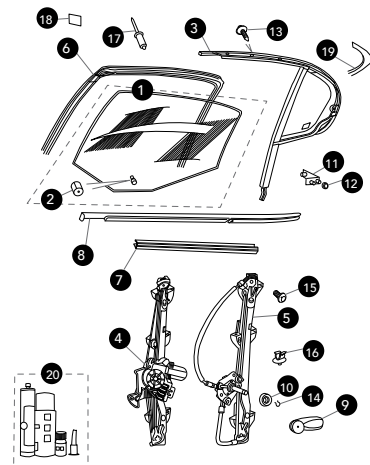
C2Z1312	2
---------	---

### DOOR GLASS & FRAME - FRONT

1. Door Glass			
LH	C2S5437	1	
RH	C2S5435	1	
2. Inner Door Waist Seal	C2S38974	2	
3. Outer Door Waist Seal			
LH	C2S42736	1	
RH	C2S42735	1	
4. Glass Run Channel			
LH	C2S34473	1	
RH	C2S34472	1	
5. Glass Run Channel Retainer			
LH	C2S49235	1	
RH	C2S49234	1	
6. Window Regulator and Motor			
LH	C2S51554	1	
RH	C2S51553	1	
7. Lock Washer	C2S12337	2	
8. Pan Head Screw, M6 x 12mm	C2S11346	8	
9. Retaining Clip	Contact Sales	1	
10. Retainer	C2S34471	2	
11. Clamp	C2S51746	2	



4. Window Regulator and Motor			
Electric Lift, LH	C2S44895	1	
Electric Lift, RH	C2S44894	1	
5. Window Regulator			
Manual Lift, LH	C2S37072	1	
Manual Lift, RH	C2S37070	1	
6. Glass Run Channel			
LH	C2S27533	1	
RH	C2S27532	1	
7. Inner Door Waist Seal	C2S38975	2	
8. Outer Door Waist Seal			
LH	C2S42738	1	
RH	C2S42739	1	
9. Window Regulator Handle	Contact Sales	2	
10. Escutcheon	Contact Sales	2	
11. Steady Bracket	C2S45946	1	
12. Hexagonal Flange Nut, M5	C2C1641	3	
13. Pan Head Screw	C2G1992	2	
14. Spring Clip	C2S13262	1	
15. Pan Head Screw			
M6 x 12mm	C2S11346	8	
16. Retaining Clip	Contact Sales	1	
17. Rivet	C2S11253	3	
18. Retainer	C2S34471	2	
19. Quarter Glass Finisher			
Low Gloss, Black Finish, LH	C2S42276	1	
Low Gloss, Black Finish, RH	C2S42273	1	
Black Finish, LH	C2S42275	1	
Black Finish, RH	C2S42272	1	
Bright Finish, LH	C2S42277	1	
Bright Finish, RH	C2S42274	1	
20. Adhesive Kit	C2S42278	1	

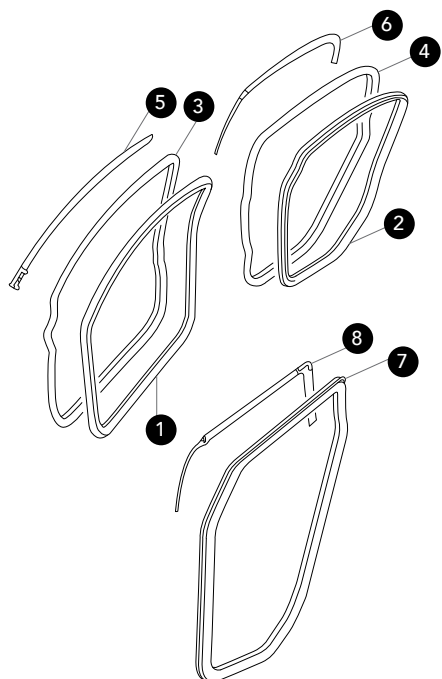


### DOOR GLASS & FRAME - REAR SALOON

1. Door Glass			
LH	C2S1662	1	
RH	C2S1661	1	
2. Roll Pin	C2S17624	1	
3. Quarter Glass Encapsulation	Contact Sales	1	



# BODY DOOR SEALS

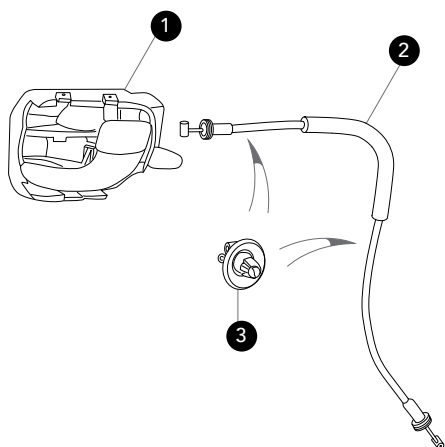


1. Front Door Aperture Seal	C2S42752	2
2. Rear Door Aperture Seal		
Saloon	C2S42753	2
3. Front Primary Door Seal	C2S50582	2
4. Rear Primary Door Seal	C2S50583	2
5. Front Upper Door Seal		
LH	C2S45126	1
RH	C2S45125	1
6. Rear Upper Door Seal		
LH	C2S44959	1
RH	C2S44958	1
7. Rear Door Aperture Seal		
Estate	C2S42754	2
8. Rear Upper Door Seal		
Estate, LH	C2S44961	1
Estate, RH	C2S44960	1

# BODY DOOR HANDLE & LOCKS

## DOOR HANDLE & REMOTE CONTROL

1. Remote Control Handle	Contact Sales	4
2. Cable	Contact Sales	
3. Arrow Head Clip	XR82373	4

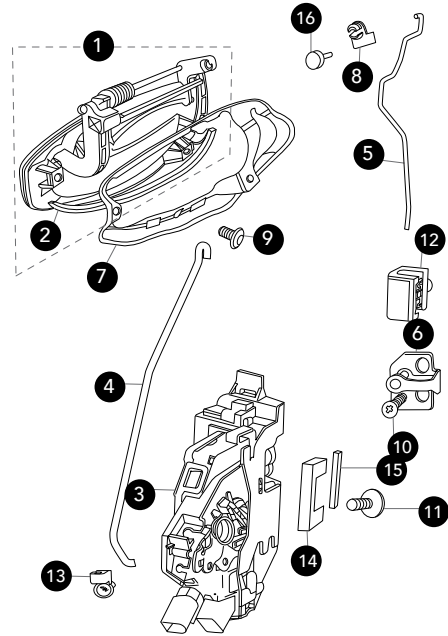


# BODY

## DOOR HANDLES & LOCKS

### FRONT DOOR HANDLE & LOCK

<b>1. Door Handle</b>			
Primer Painted, LHD, LH	C2S45751XXX	1	
Primer Painted, LHD, RH	C2S45752XXX	1	
Primer Painted, RHD, LH	C2S45753XXX	1	
Primer Painted, RHD, RH	C2S45750XXX	1	
<b>2. Door Handle Gasket</b>			
	C2S21270	1	
<b>3. Door Latch</b>			
LHD, Deadlocking			
LH, to VIN J31404	C2S48924	1	
LH, from VIN L31405	C2S48924	1	
RH, to VIN J31404	C2S48921	1	
RH, from VIN L31405	C2S48921	1	
LHD, Non-Deadlocking			
LH, to VIN J31404	C2S48926	1	
LH, from VIN L31405	C2S48926	1	
RH, to VIN J31404	C2S48923	1	
RH, from VIN L31405	C2S48923	1	
RHD, Deadlocking			
LH, to VIN J31404	C2S48925	1	
LH, from VIN L31405	C2S48925	1	
RH, to VIN J31404	C2S48920	1	
RH, from VIN L31405	C2S48920	1	
RHD, Non-Deadlocking			
LH, to VIN J31404	C2S48928	1	
LH, from VIN L31405	C2S48928	1	
RH, to VIN J31404	C2S48922	1	
RH, from VIN L31405	C2S48922	1	
<b>N.B. C2S48928 is also required for all models to VIN J31404</b>			
<b>4. Lock to Latch Linkage Rod</b>			
LHD, LH Front Door	C2S10315	1	
RHD, RH Front Door	C2S10313	1	
<b>5. Handle to Latch Linkage Rod</b>			
LH Front Door	C2C28891	1	
RH Front Door	C2C28890	1	
<b>6. Door Latch Striker</b>			
	C2C35906	2	
<b>7. Door Handle Bracket</b>			
LH	C2S45538	1	
RH	C2S45537	1	
<b>8. Door Handle Clip</b>			
	C2S8834	1	
<b>9. Pan Head Screw, M6 x 12mm</b>			
	C2S11346	2	



<b>10. Countersunk Screw</b>			
M8 x 25mm	XR82460	2	
<b>11. Screw, M6 x 12mm</b>			
	XR82411	3	
<b>12. Handle to Latch Retaining Clip</b>			
	C2S35117	1	
<b>13. Lock To Latch Retaining Clip</b>			
	C2S20461	1	
<b>14. Seal</b>			
	C2S1738	2	
<b>15. Foam Insert</b>			
	C2S23569	2	
<b>16. Buffer</b>			
	C2S40545	A/R	

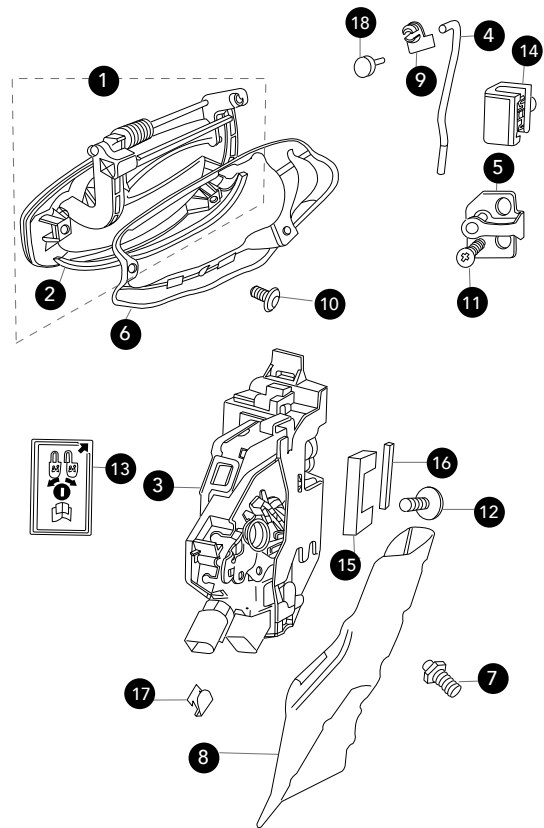
### REAR DOOR HANDLE & LOCK

<b>1. Door Handle</b>			
Primer Painted, LH	C2S45753XXX	1	
Primer Painted, RH	C2S45752XXX	1	
<b>2. Door Handle Gasket</b>			
	C2S21270	1	
<b>3. Door Latch</b>			
Deadlocking, LH	C2S41889	1	
Deadlocking, RH	C2S41888	1	
Non-Deadlocking, LH	C2S41891	1	
Non-Deadlocking, RH	C2S41890	1	
<b>4. Handle to Latch Linkage Rod</b>			
LH	C2S4023	1	
RH	C2S4022	1	
<b>5. Door Latch Striker</b>			
	C2C35906	2	



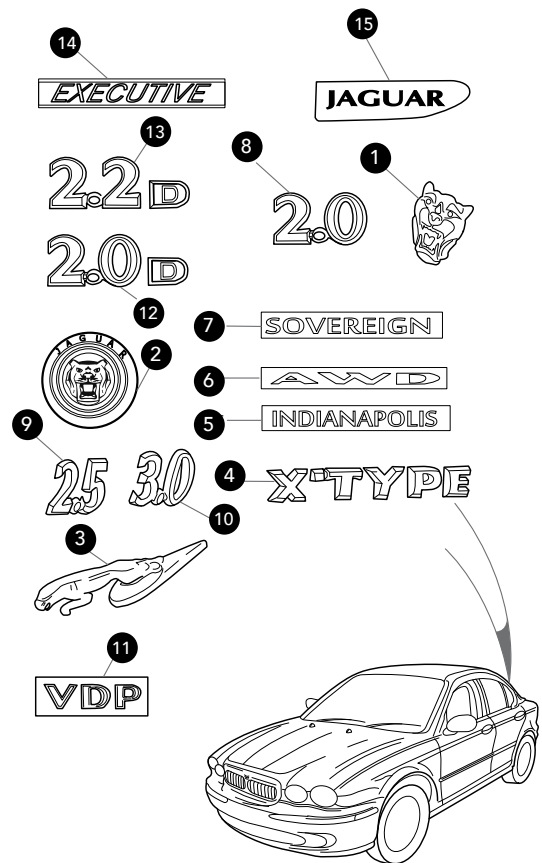
# BODY DOOR HANDLES & LOCKS

6. Door Handle Retaining Bracket			
LH	C2S45538	1	
RH	C2S45537	1	
7. Striker	C2S45281	2	
8. Water Shield			
LH	C2S22190	1	
RH	C2S22189	1	
9. Door Handle Clip	C2S8834	1	
10. Pan Head Screw, M6 x 12mm	C2S11346	2	
11. Countersunk Screw			
M8 x 25mm	XR82460	2	
12. Screw, M6 x 12mm	XR82411	3	
13. Child Lock Warning Label	Contact Sales		
14. Handle to Latch Retaining Clip	C2S35117	1	
15. Seal	C2S1738	2	
16. Foam Insert	C2S23569	2	
17. Edge Clip	C2S34463	2	
18. Buffer	C2S40545	A/R	



# BODY BADGES

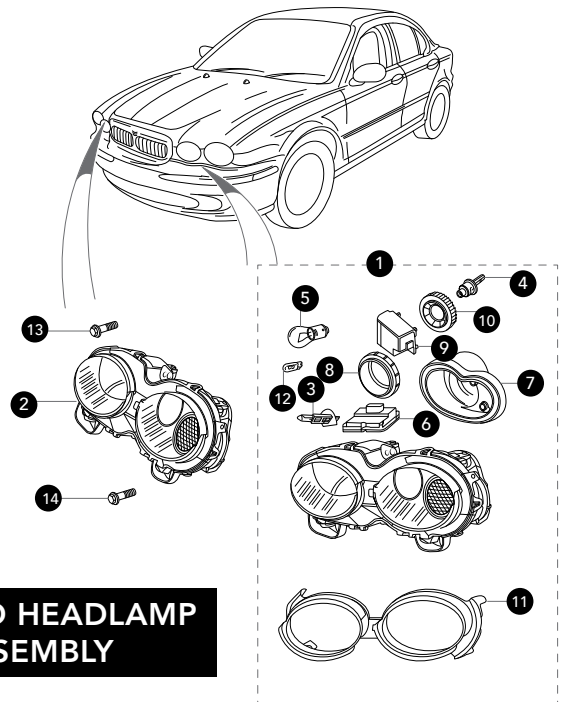
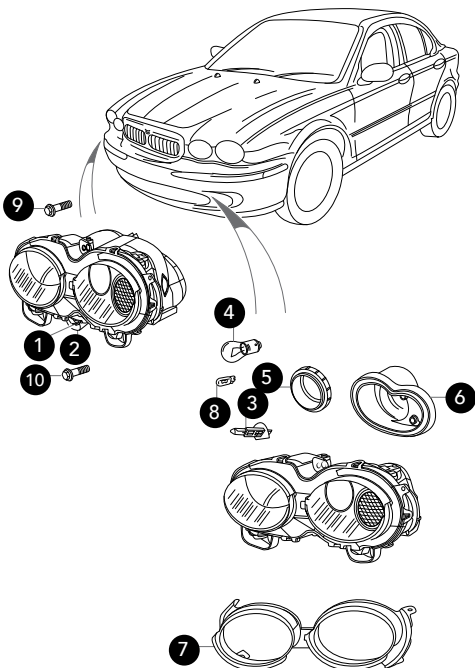
<b>1. Radiator Grille Badge</b>			
To VIN E28999	C2S8839		1
VIN E29000 to VIN J39905	C2S38389		1
<b>2. Radiator Grille Badge</b>			
From VIN J39906	C2C38927		1
<b>3. Leaping Jaguar</b>			
	C2S50920		1
<b>4. X-Type Boot Lid Badge</b>			
Estate, to VIN J39905	C2S34350		1
Saloon, to VIN J39905	C2S8087		1
From VIN J39906	C2S51324		1
<b>5. Indianapolis Boot Lid Badge</b>			
	C2S27564		1
<b>6. All Wheel Drive Boot Lid Badge</b>			
	C2S29040		1
<b>7. Sovereign Boot Lid Badge</b>			
From VIN D40326	C2S30512		1
<b>8. 2.0 Litre Petrol Boot Lid Badge</b>			
	C2S34353		1



<b>9. 2.5 Litre Petrol Boot Lid Badge</b>			
Estate	C2S34352		1
Saloon	C2S11255		1
<b>10. 3.0 Litre Petrol Boot Lid Badge</b>			
Estate	C2S34351		1
Saloon	C2S4026		1
<b>11. VDP Boot Lid Badge</b>			
	C2S39653		1
<b>12. 2.0 Litre Turbo Diesel Boot Lid Badge</b>			
	C2S27583		1
<b>13. 2.2 Litre Turbo Diesel Boot Lid Badge</b>			
Estate	C2S40930		1
Saloon	C2S40929		1
<b>14. Executive Boot Lid Badge</b>			
From VIN E98756	C2S44425		1
<b>15. Front Wing Badge</b>			
LH	C2S51355		1
RH	C2S51356		1

## STANDARD HEADLAMP ASSEMBLY

1. LH Headlamp Assembly			
Standard Lamps	Contact Sales		1
2. RH Headlamp Assembly			
Standard Lamps	Contact Sales		1
3. Bulb H1 55Watt	XR851816		2
4. Direction Indicator Lamp Bulb			
Clear	C2S15075		2
Amber	C2S15076		2
5. Main Beam Bulb Cap	C2S15085		2
6. Dipped Beam Bulb Cap			
LH Headlamp			
To VIN E19615	C2S15082		1
From VIN E19616	C2S39579		1
RH Headlamp			
To VIN E19615	C2S15086		
From VIN E19616	C2S39577		
7. Aperture Seal			
LH Headlamp	C2S15081		1
RH Headlamp	C2S15078		1
8. Bulb	C2S15074		2
9. Hexagonal Head Flanged Bolt			
M6 x 25mm	C2S46397		4
10. Hexagon head screw			
M6 x 20mm	XR81544		4



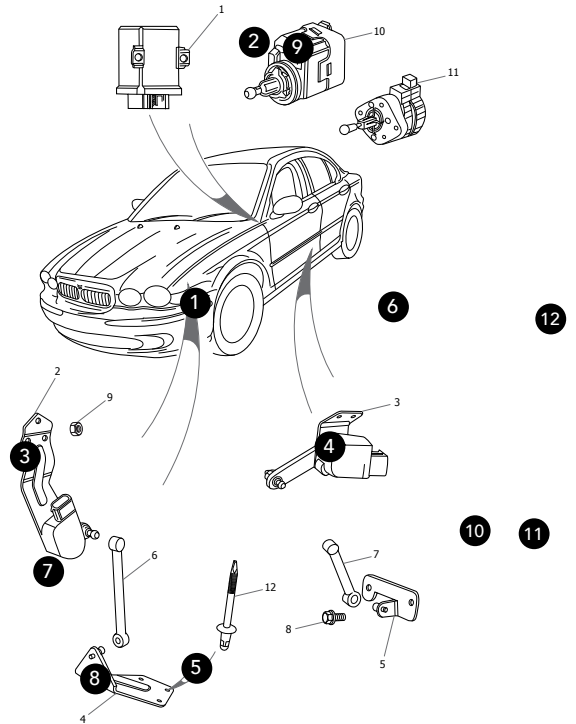
## HID HEADLAMP ASSEMBLY

1. LH Headlamp Assembly			
Standard Lamps	Contact Sales		1
2. RH Headlamp Assembly			
Standard Lamps	Contact Sales		1
3. Bulb H1 55 Watt	XR851816		2
4. Headlamp Burner, 35 Watt	C2S15072		2
5. Direction Indicator Lamp Bulb			
Clear	C2S15075		2
Amber	C2S15076		2
6. Ballast Module	C2S52482		2
7. Dipped Beam Headlamp Cap			
LH Headlamp			
To VIN E19615	C2S15083		1
From VIN E19616	C2S39580		1
RH Headlamp			
To VIN E19615	C2S15087		1
From VIN E19616	C2S39578		1
8. Main Beam Headlamp Cap			
9. HID Ignitor	C2S15080		2
10. Bulb Retainer	C2S15084		2
11. Aperture Seal			
LH Headlamp	C2S15081		1
RH Headlamp	C2S15078		1
12. Bulb	C2S15074		2
13. Hexagonal Head Flanged Bolt			
M6 x 25mm	C2S46397		4
14. Hexagon head screw			
M6 x 20mm	XR81544		4

# LIGHTING

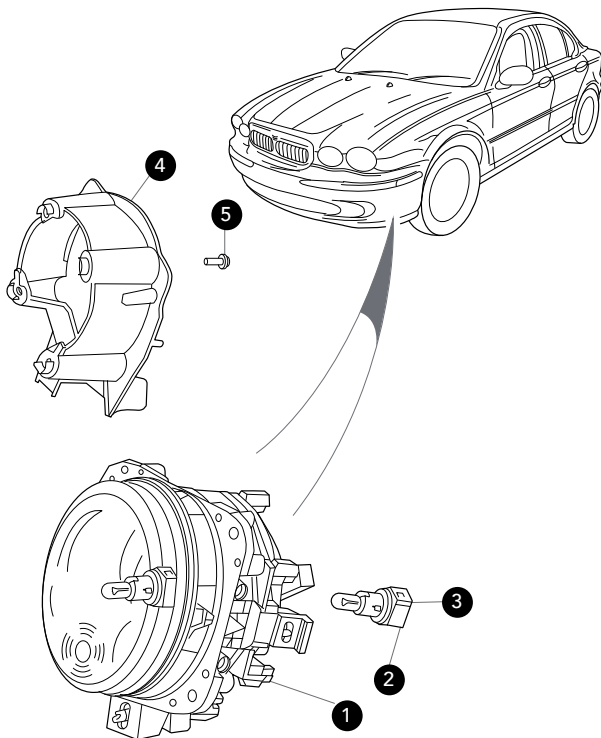
## HEADLAMP LEVELLING

1. Headlamp Levelling Module	C2S46818	1
2. Sensor Assembly, Front	C2S19775	1
3. Sensor Assembly, Rear	C2S5736	1
4. Mounting Bracket, Lower Front	C2S5735	1
5. Mounting Bracket, Lower Rear	C2S5737	1
6. Front Linkage	C2S4087	1
7. Rear Linkage	C2S4088	1
8. Screw, M5 x 16mm	C2S18345	2
9. Nut	C2S5511	2
10. Stepper Motor		
Standard Headlamps	C2S15088	2
11. Stepper Motor		
HID Xenon Headlamps	C2S15089	2
12. Blind Rivet		
HID Xenon Headlamps	C2S4473	10



# LIGHTING

## FRONT FOG LAMPS



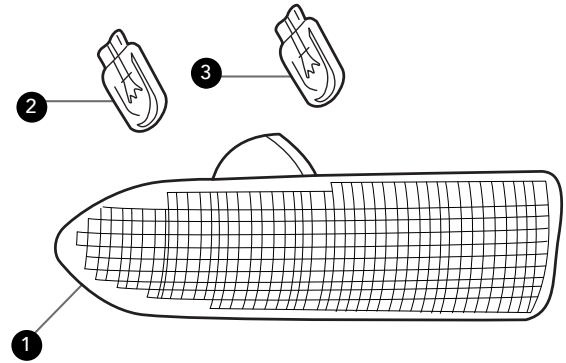
1. Front Fog Lamp		
To VIN E17540	C2S1740	2
VIN E17541 to VIN J39905	XR837532	2
From VIN J39906	C2S49285	2
2. Bulb, H1 55Watt		
To VIN E17540	XR851816	2
3. Bulb, H11 55Watt		
From VIN E17541	C2S42389	2
4. Fog Lamp Bracket		
From VIN J39906	C2S49808	2
5. Fog Lamp Screw	C2C28405	6

# LIGHTING

## SIDE MARKER & REPEATER LAMPS

### SIDE REPEATER LAMPS

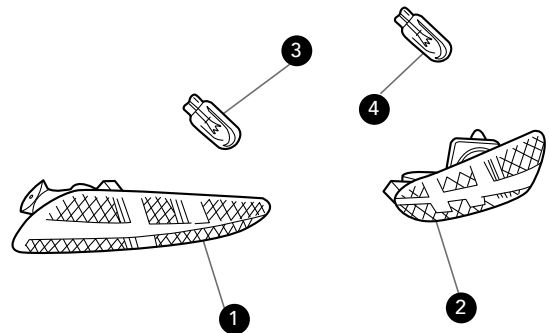
1. Direction Indicator Side Lamp			
Amber Lens, RH	C2S3045	1	
Amber Lens, LH	C2S3046	1	
Clear Lens, RH	C2S25579	1	
Clear Lens, LH	C2S25582	1	
2. Bulb, Wedge Base 5 Watt	C2S15074	2	
3. Direction Indicator Bulb, Amber			
From VIN D55322	C2S25583	2	



### SIDE MARKER & REFLEX LAMPS

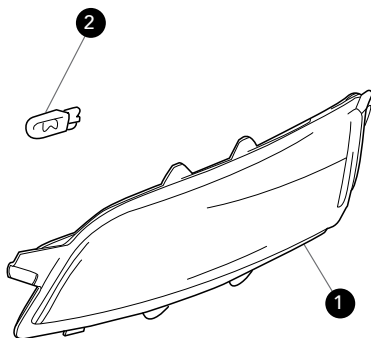
1. Side Marker/Reflex Lamp			
To VIN J39905			
RH Front, Yellow Lens	C2S1742	1	
LH Front, Yellow Lens	C2S1743	1	
From VIN J39906			
LH Front Wing, Amber Lens	C2C35380	1	
LH rear Wing, Red Lens	C2C35378	1	
RH Front Wing, Amber Lens	C2C35379	1	
RH rear Wing, Red Lens	C2C35377	1	
2. Reflector			
To VIN J39905			
RH Rear, Red Lens	C2S1599	1	
LH Rear, Red Lens	C2S1741	1	

From VIN J39906			
LH Front, RH Rear Amber Lens	C2C35382	1	
RH Front, LH Rear Amber Lens	C2C35381	1	
3. Bulb, Wedge Base 5 Watt	C2S15074	2	
4. Bulb, Wedge Base 5 Watt	C2S15074	2	



# LIGHTING

## DOOR MIRROR LAMP



1. Door Mirror Lamp			
LH	C2C37092	1	
RH	C2C37091	1	
2. Direction Indicator Lamp Bulb			
5 Watt Amber	C2S25583	2	

# LIGHTING

## REAR LAMPS

### 1. Rear Lamp Cluster

Saloon, LH	C2S40488	1
Saloon, RH	C2S40487	1
Estate, LH	C2S32775	1
Estate, RH	C2S32773	1

### 2. Shield, Estate

RH	C2S32785	1
LH	C2S32786	1

### 3. Direction Indicator Lamp Bulb

Amber	C2S15076	2
-------	----------	---

4 Stop/Tail Bulb, 21/ 5 Watt	C2S15073	2
------------------------------	----------	---

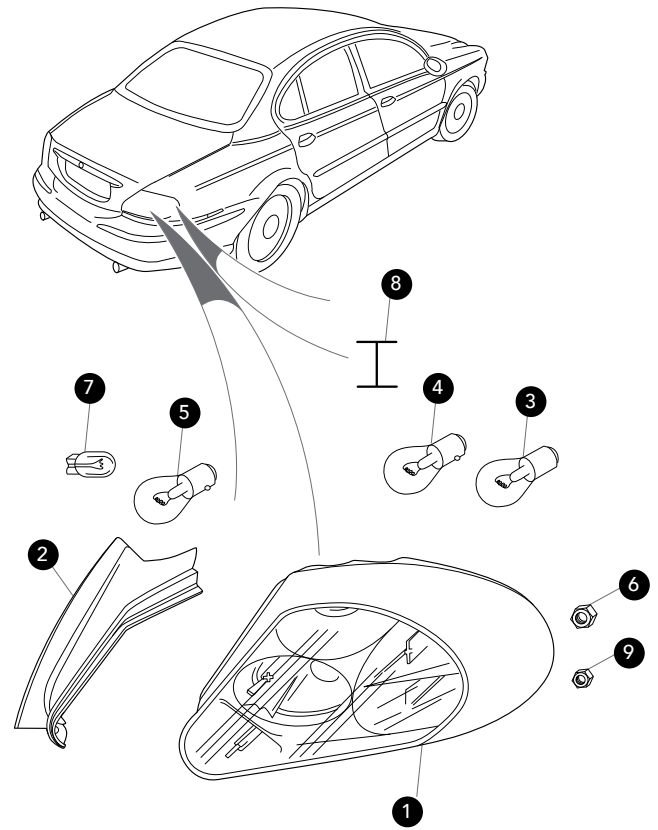
5. Bulb, 21Watt	DBC11382	4
-----------------	----------	---

6. Nut/Washer, M6	C2S39739	6
-------------------	----------	---

7. Wedge Base Bulb, 5 Watt	C2S15074	1
----------------------------	----------	---

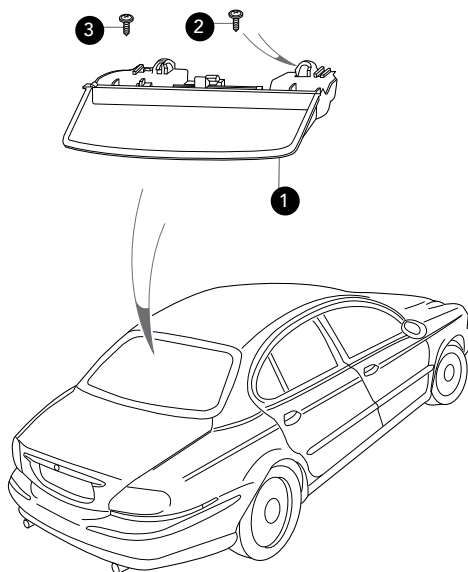
8. Bulb Link Harness, Estate	C2S32771	2
------------------------------	----------	---

9. Nut, M6	C2C18158	6
------------	----------	---



# LIGHTING

## HIGH MOUNTED STOP LAMP



### 1. High Mounted Stop Lamp

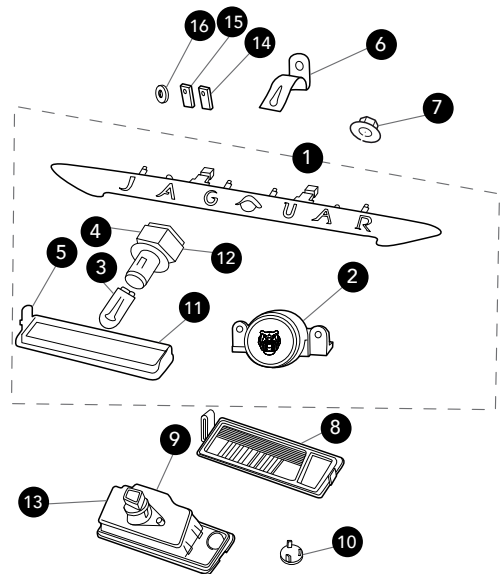
Estate	C2S19496	1
Saloon	C2S27468	1
2. Pan Head Screw, M6 x 12mm	C2Z3034	2
3. Bolt	C2Z3034	2

# LIGHTING

## NUMBER PLATE LAMP ASSEMBLY

1. Number Plate Lamp Assembly	Contact Sales		
2. Boot Release Switch Assembly			
To VIN D55321	C2C31837	1	
From VIN D55322	C2S38530	1	
3. Bulb, 5 Watt	C2S15074	2	
4. Bulb Holder	XR826715	2	
5. Lamp Lens, Saloon			
To VIN D55321	C2S30530	2	
VIN D55322 to VINJ39905			
LH	C2S44970	1	
RH	C2S44969	1	
6. Retainer	C2S10318	2	
7. Flange Nut, M6	C2C8870	4	
8. Lamp Lens & Gasket, Estate			
LH	C2S50214	1	
RH	C2S50215	1	
9. Bulb Holder, Estate			
LH	C2S50217	1	
RH	C2S50216	1	
10. Screw cover, Estate	C2S34383	3	
11. Lamp Lens, Saloon			
From VIN J39906			
LH	C2S49887	1	
RH	C2S49889	1	

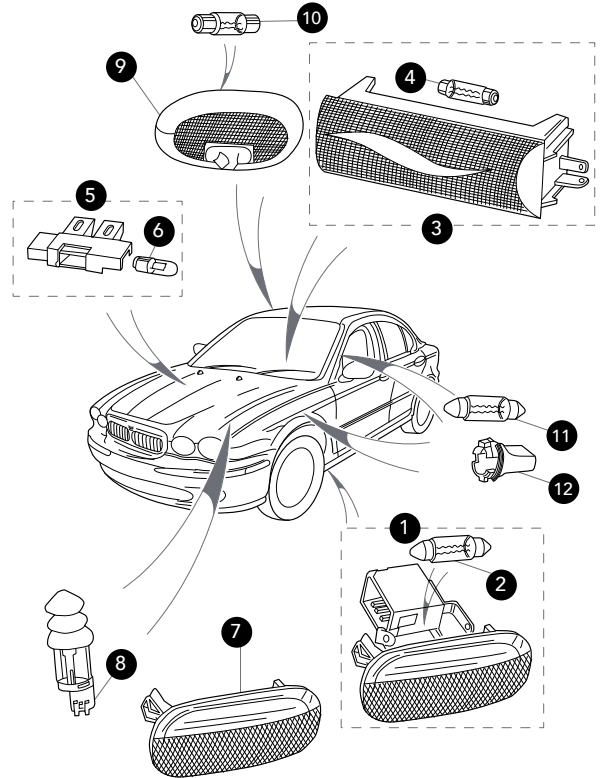
12. Bulb Holder, Saloon			
From VIN J39906	C2S49888	2	
13. Number Plate Lamp Housing			
Saloon, From VIN J39906			
LH	C2S49891	1	
RH	C2S49890	1	
14. Inner Gasket, Saloon			
From VIN J39906	C2S49884	2	
15. Outer Gasket, Saloon			
From VIN J39906	C2S49885	2	
16. Outer Gasket, Saloon			
Round, from VIN J39906	C2S49886	2	



# LIGHTING

## INTERIOR LAMPS

1. Door Hazard Lamp, Red	C2S20577	2
2. Festoon Bulb, 5 Watt	LNA5180AA	1
3. Boot Lamp, Estate	C2S37794	2
Boot Lamp, Saloon		
To VIN E67743	C2C22658	1
From VIN E67744	C2P8304	1
4. Bulb, Saloon		
To VIN D55321	C2S13205	1
VIN D55322 to VIN E67743	C2S13205	1
From VIN E67744	JLM293	1
5. Glovebox Lamp	XR813341	1
6. Bulb	C2S15074	1
7. Red Reflector	C2S13500	2
8. Bootlid Security Switch	XR81935	1
9. Rear Interior Lamp	C2S16398	1
10. Bulb, 12v 10 Watt	C2S13205	1
11. Sunvisor Bulb	LJA5180BA	2
12. Bulb Holder	C2S23510	2

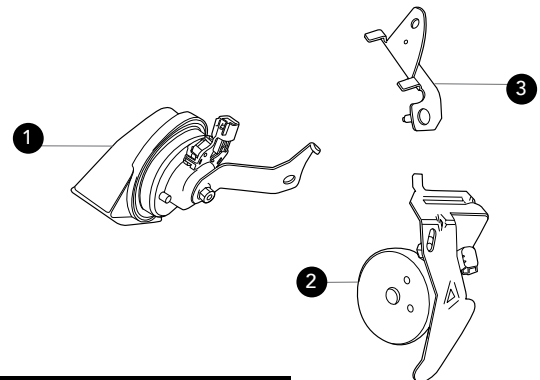
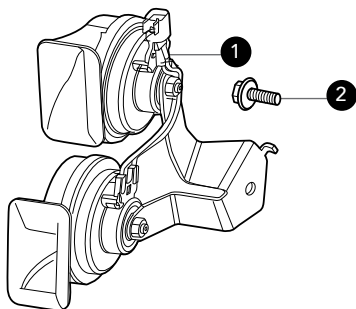


# ELECTRICAL COMPONENTS

## HORNS

### TO VIN J40141

1. Horn Assembly		
Diesel	C2S36546	1
Petrol	C2S39053	1
2. Hexagon Flange Screw		
M8 x 25mm	C2S3692	1



### FROM VIN J40142

1. Horn, Low Pitch	C2S50908	1
2. Horn, High Pitch	C2S50909	1
3. Horn Mounting Bracket	C2S50910	1

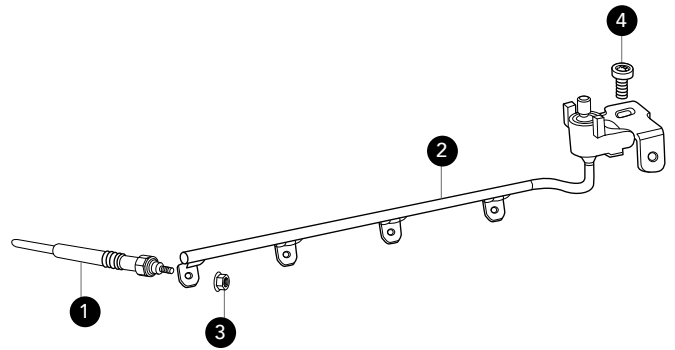
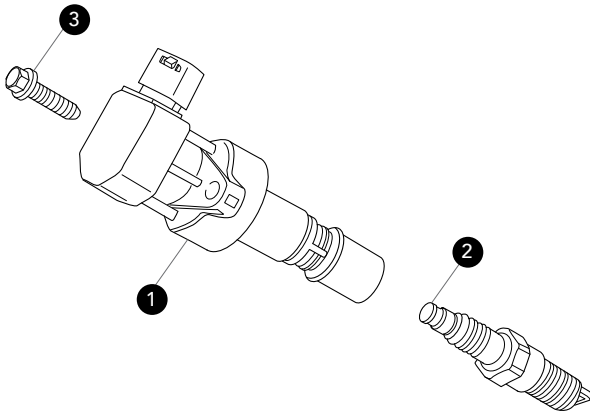


# ELECTRICAL COMPONENTS

## IGNITION SYSTEM

### SPARK PLUG & ON PLUG COIL - V6

1. On Plug Ignition Coil	C2S42673	6
2. Spark Plug	C2S46895	6
3. Hexagonal Head Flanged Bolt M5 x 26mm	C2S15940	6



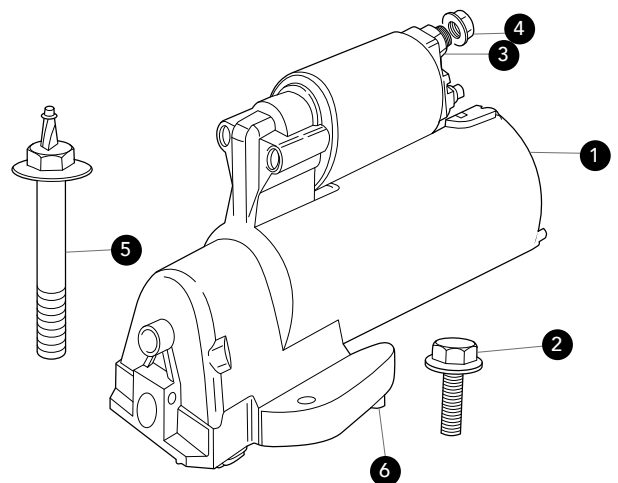
### GLOWPLUGS - DIESEL

1. Glowplug	C2S40053	4
2. Link Lead	JD61165	1
3. Nut, M4	JD61225	4
4. Bolt, M6 x 14mm	JD61683	1

# ELECTRICAL COMPONENTS

## STARTER MOTOR

1. Starter Motor		
Diesel	C2S47099	1
Petrol	C2S47479	1
2. Hexagon Flange Screw M10 x 35mm	C2C22133	2
3. Nut, M8	LJB1853AA	1
4. Nut		
M6	C2S1400	1
M8	C2C10804	1
5. Stud		
M10 x 95mm - M6 x 16mm	C2S32315	2
6. Cylinder Block Dowel	C2S30245	2

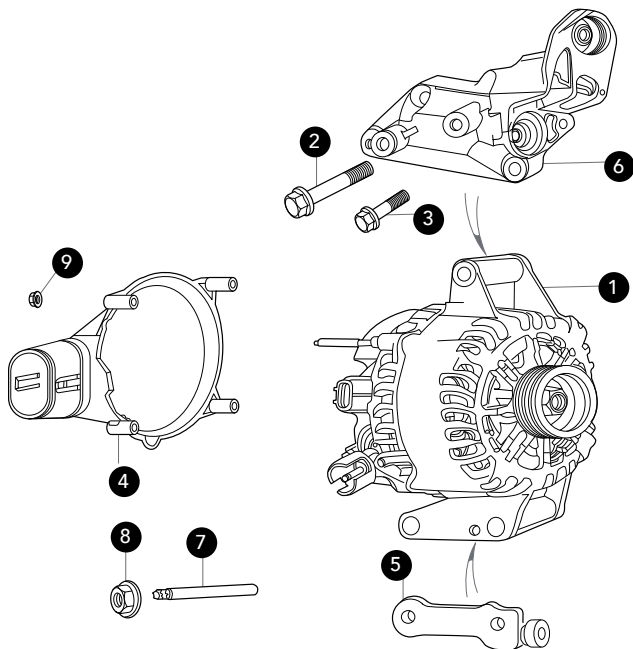
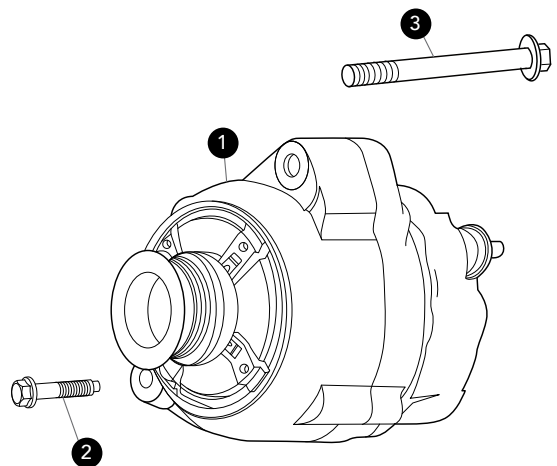


# ELECTRICAL COMPONENTS

## ALTERNATOR

### PETROL

1. Alternator			
Automatic	C2S3710	1	
Manual	C2S40072	1	
2. Bolt, 47mm M8			
To VIN J05671	C2S26056	1	
From VIN J05672	XR856282	1	
3. Bolt, M10	C2S11923	1	



### DIESEL

1. Alternator	C2S47100	1
2. Alternator to Mounting Bracket Bolt	JDE7748	1
3. Alternator Mounting Bracket Bolt		
M10 x 40mm	C2C35559	3
4. Cooling Duct	C2S27199	1
5. Alternator Bracket	C2S47205	1
6. Alternator Mounting Bracket	C2S27000	1
7. Alternator Stud		
M10 x 15mm - M10 x 80mm	C2S45993	2
8. Flanged Nut, M10	C2Z1108	2
9. Nut, M5	JFX10504B	4

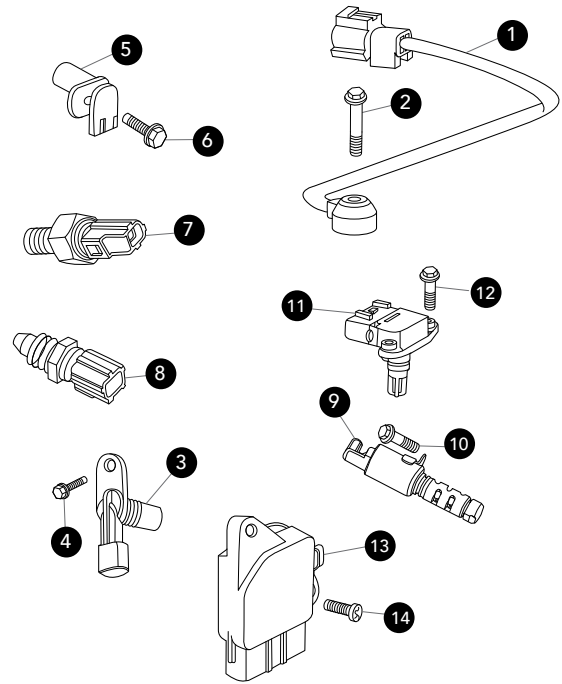


# ELECTRICAL COMPONENTS

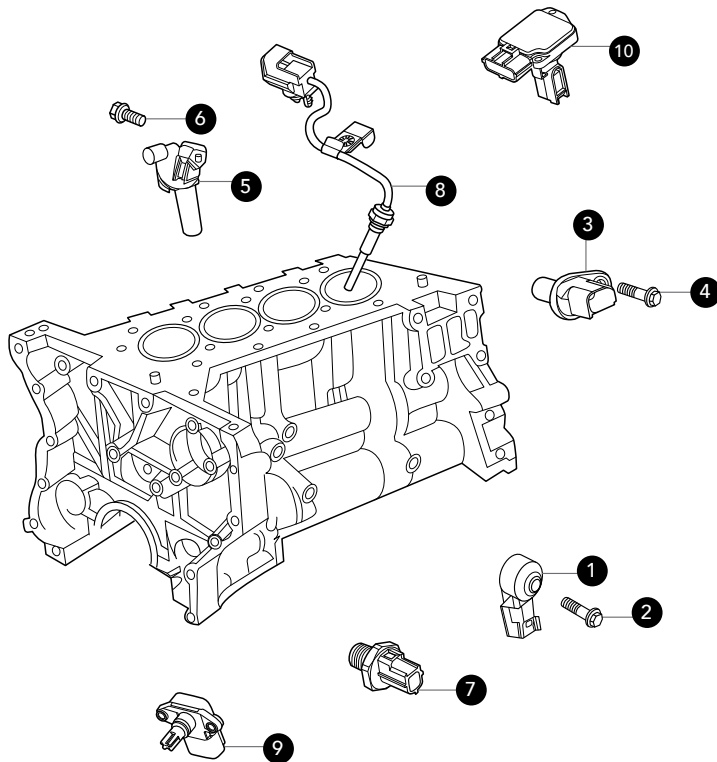
## ENGINE SENSORS

### PETROL

1. Knock Sensor	AJ85676	1
2. Bolt, M8 x 35mm	C2S26051	1
3. Camshaft Position Sensor	XR853846	1
4. Hexagon Flange Screw M5 x 16mm	C2S11624	1
5. Crankshaft Position Sensor	XR829578	1
6. Pan Head Torx Screw M6 x 20mm	C2C25942	1
7. Oil Pressure Switch	C2S52255	1
8. Temperature Sensor	AJ810031	1
9. Solenoid Valve	AJ810570	1
10. MAP Sensor	AJ82763	1
11. Screw	AJ87995	2
12. Air Flow Sensor	C2S2670	1
14. Pan Head Screw	C2S11216	2



### DIESEL



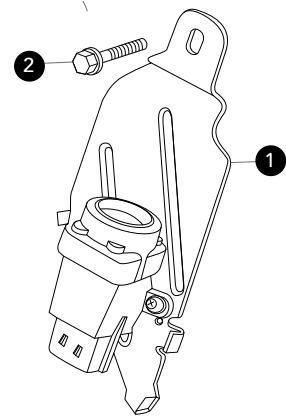
1. Knock Sensor	JD61212	1
2. Bolt, M8 x 30mm	XR838683	1
3. Camshaft Position Sensor	JDE3763	1
4. Bolt, M6 x 16mm	JFS10616B	1
5. Crankshaft Speed Sensor	JD61138	1
6. Bolt, M6 x 16mm	JDE1605	1
7. Oil Pressure Switch	C2S30972	1
8. Temperature Sensor	JDE10862	1
9. MAP Sensor, to VIN E43463		
2.0 Litre Turbo Diesel		
2.5 Bar	AJ82719	1
From VIN E43464		
3 Bar	JD61647	1
10. Air Flow Sensor	C2S26978	1

# ELECTRICAL COMPONENTS

## INERTIA SWITCH

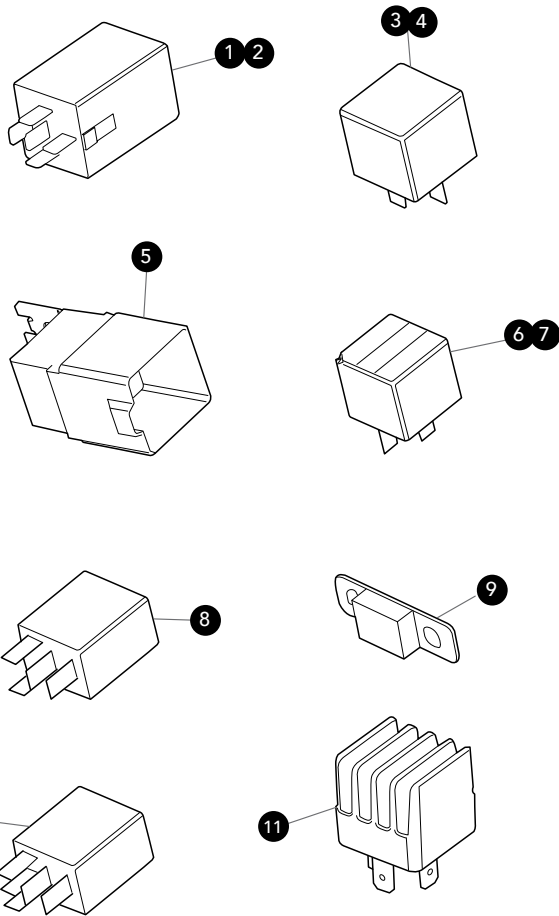
### 1. Inertia Switch

With Bracket	C2S44918	1
2. Bolt, M6 x 16mm	JFS10616B	1



# ELECTRICAL COMPONENTS

## RELAYS



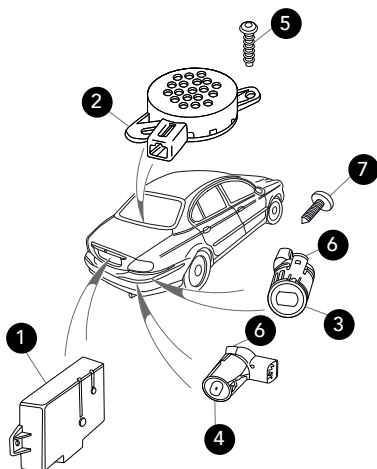
1. Power Fold Mirror Relay	C2S3690	1
2. Multifunction Relay		
To VIN E73993	C2Z5068	8
From VIN E73994		
20 amp	C2S44654	8
3. Relay, 40 amp	C2C34433	5
4. Relay, Grey	C2P11143	3
5. Glowplug Relay	C2S29032	1
6. Relay		
20 amp, from VIN J00012	C2S44654	A/R
40 amp, VIN D55322 to VIN J00011	C2P11192	A/R
7. Relay		
Black - Multifunction		
From VIN D55322	C2C34433	A/R
8. Relay		
20 amp - Multifunction	C2S44654	A/R
9. Fuse, 150 amp	C2S35305	A/R
10. Rear Screen Wiper Motor Relay		
Estate	C2S48039	1
11. Fuel Fired Heater Relay	C2C6786	1

# ELECTRICAL COMPONENTS

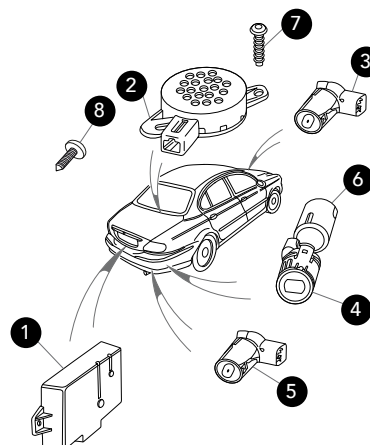
## PARKING AID

### TO VIN D55321

1. Reversing Aid Module Programmed Unit	C2C1237	1
2. Reversing Aid Speaker Front/Rear	C2N2421	1
3. Reversing Aid Sensor LH/RH Outer	C2S31533	2
4. Reversing Aid Sensor Centre	C2S31534	2
5. Pan Head Torx Screw, M4	C2S3698	3
6. Sensor Mounting Bracket Cars Without Body Kit	C2S7679	4
7. Push in Fastener	C2S15121	2

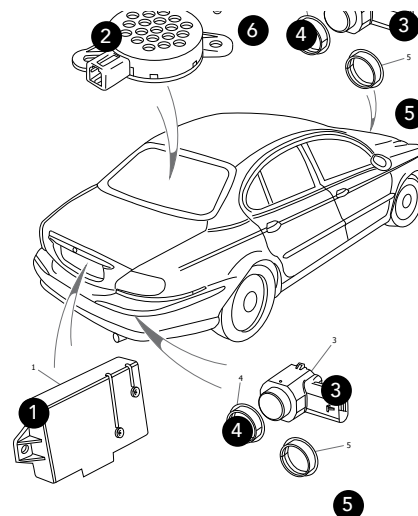


7. Pan Head Torx Screw, M4	C2S3698	3
8. Push in Fastener	C2S15121	2



### FROM VIN J40142

1. Reversing Aid Module Front Parking Aid	C2S51768	1
No Front Parking Aid	C2S51767	1
2. Reversing Aid Speaker Front/Rear	C2N2421	1
3. Parking Aid Sensor Front and Rear	C2P8511	4
To VIN J39905	C2P20587	4
4. Retaining Ring, Black From VIN J39906	C2P8509	8
5. Retaining Ring, Clear From VIN J39906	C2P8510	8
6. Pan Head Torx Screw, M4	C2S3698	3



### VIN D55322 - VIN J40141

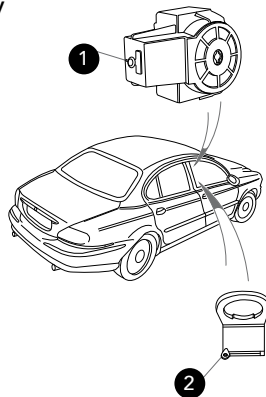
1. Reversing Aid Module Front Parking Aid	C2S51768	1
No Front Parking Aid	C2S51767	1
2. Reversing Aid Speaker Front/Rear	C2N2421	1
3. Front Parking Aid Sensor Primer Painted	C2C29377XXX	4
4. Rear Parking Aid Sensor Outer	C2C29376XXX	2
5. Rear Parking Aid Sensor Inner	C2C29377XXX	2
6. Sensor Mounting Bracket Front Parking Aid	C2N2870	4
Rear Parking Aid With Body Kit	C2N2870	4
Without Body Kit	C2S7679	4

# ELECTRICAL COMPONENTS

## SWITCHES & CIGAR LIGHTER

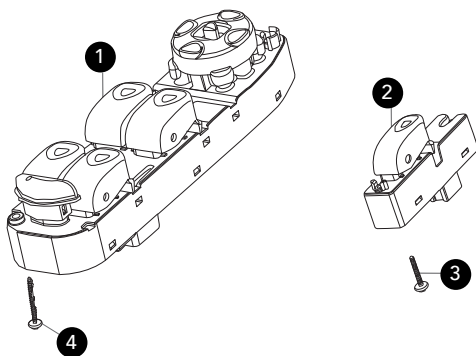
### IGNITION SWITCH

- |                    |          |   |  |
|--------------------|----------|---|--|
| 1. Ignition Switch |          |   |  |
| Automatic          | C2S46880 | 1 |  |
| Manual             | C2S52440 | 1 |  |
| 2. Security        |          |   |  |
|                    | XR89998  | 1 |  |



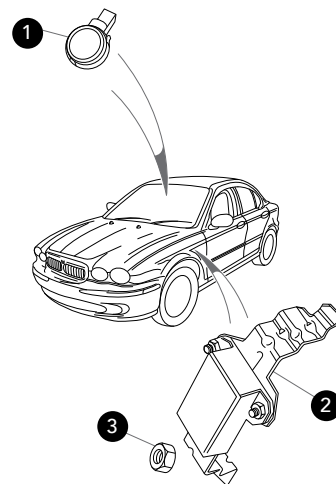
### DOOR GLASS/MIRROR SWITCHPACK

- |                             |          |     |  |
|-----------------------------|----------|-----|--|
| 1. Driver's Door Switchpack |          |     |  |
| Power Park Mirror           |          |     |  |
| Rear Electric Windows       | C2S38406 | 1   |  |
| Rear Manual Windows         | C2S27574 | 1   |  |
| Non-Power Park Mirror       |          |     |  |
| Rear Electric Windows       | C2S38405 | 1   |  |
| Rear Manual Windows         | C2S27573 | 1   |  |
| 2. Window Lift Switch       |          |     |  |
| Front/Rear, LH/RH           | C2S2174  | 1/3 |  |
| 3. Pan Head Screw           |          |     |  |
| M3 x 16mm                   | C2S13502 | A/R |  |
| 4. Pan Head Screw           |          |     |  |
| M3 x 25mm                   | C2C35054 | A/R |  |



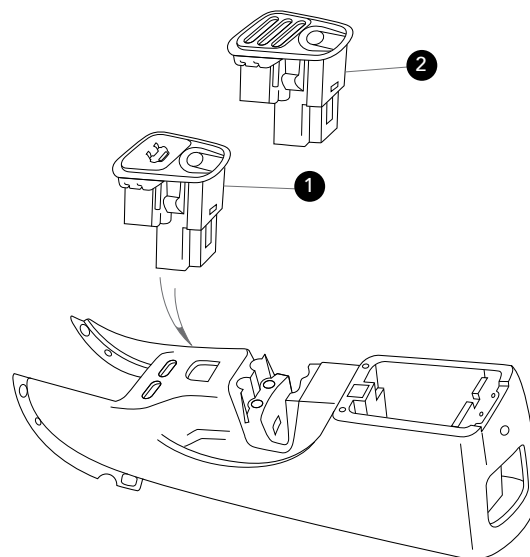
### RAIN SENSOR

- |                       |           |   |  |
|-----------------------|-----------|---|--|
| 1. Rain Sensor        | C2S12594  | 1 |  |
| 2. Rain Sensor Module |           |   |  |
| To VIN J18311         | C21S12593 | 1 |  |
| From VIN J18312       | C2S45725  | 1 |  |
| 3. Nut, M6            |           |   |  |
| To VIN D55321         | JFN10604B | 2 |  |
| From VIN D55322       | XR849704  | 2 |  |



### STABILITY CONTROL SWITCH

- |                                     |         |   |  |
|-------------------------------------|---------|---|--|
| 1. Dynamic Stability Control Switch |         |   |  |
| From VIN C28716                     | C2S2175 | 1 |  |
| 2. Coil Holder                      |         |   |  |
| No Stability Control                | C2S5767 | 1 |  |

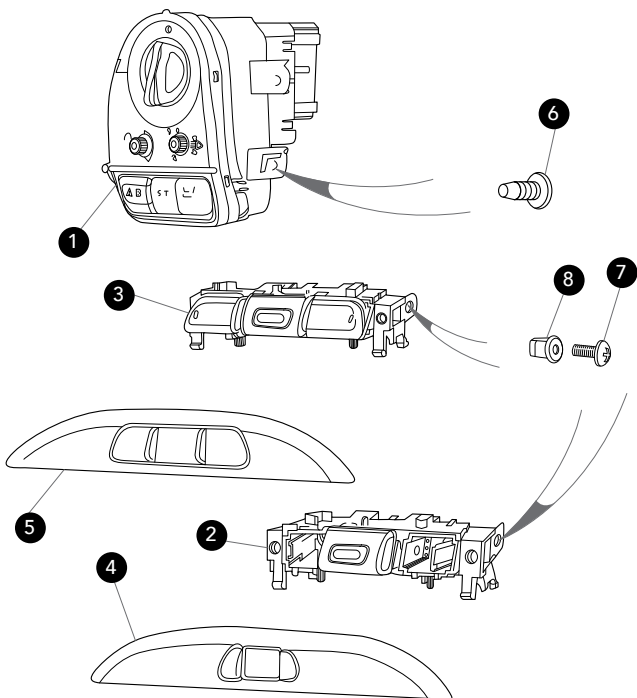


# ELECTRICAL COMPONENTS

## SWITCHES & CIGAR LIGHTER

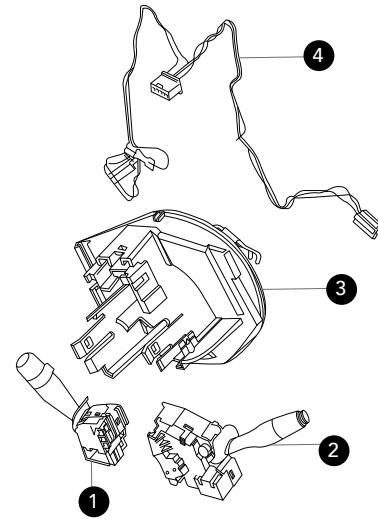
### FACIA SWITCHPACK PANEL

1. Master Lighting Switch	Contact Sales	1
2. Hazard Switch	C2S24931	1
3. Hazard/Heated Seat Switch	C2S24932	
4. Hazard Switch Bezel		
To VIN D01807	C2S2185	1
VIN D01808 to VIN J39905	C2S24933	1
From VIN J39906	C2S51466	1
5. Hazard/Heated Seat Switch Bezel		
To VIN D01807	C2S2186	1
VIN D01808 to VIN J39905	C2S24934	1
From VIN J39906	C2S51467	1
6. Pan Head Screw	C2S5834	4
7. Pan Head Screw		
To VIN D01807	C2S2148	4
From VIN D01808	XR813347	4
8. Plastic Nut	XR82171	4



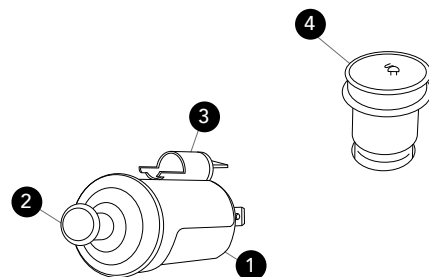
### STEERING COLUMN SWITCH

1. Direction Indicator Switch	C2S23796	1
2. Windscreen Wash/Wiper Switch		
Rain Sensing System		
Rear Screen Wash/Wipe		
From VIN D88174	C2S32823	1
Non-Rear Screen Wash/Wipe	C2S5937	1
Non-Rain Sensing System		
Rear Screen Wash/Wipe		
From VIN D88174	C2S33621	1
Non-Rear Screen Wash/Wipe	C2S5935	1
3. Cancellation/Cassette Module	C2S5933	1
4. Switch Harness	Contact Sales	



### CIGAR LIGHTER

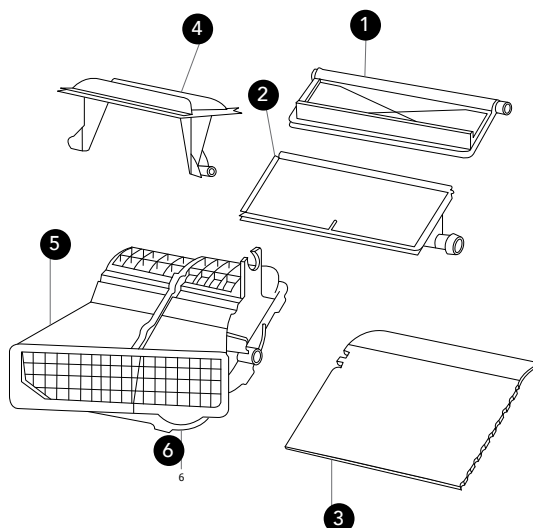
1. Cigar Lighter	C2S44988	1
2. Cigar Lighter Element	C2S6874	1
3. Illumination Ring	JDE5123	1
4. Blanking Plug	C2S20865	1



# AIR CONDITIONING & HEATING

## A.C. SYSTEM & HEATER FLAP HOUSINGS

1. Heater Outlet Air Duct Flap	C2S12208	1
2. Heater Blower Inlet Door	C2S33907	1
3. Heater Valve	C2S15756	1
4. Heater Blower Inlet Door	C2S15778	1
5. Heater Housing Inlet Duct, RH		
LHD	C2S37530	1
RHD	C2S18224	1
6. Heater Housing Inlet Duct, LH		
LHD	C2S37531	1
RHD	C2S12204	1

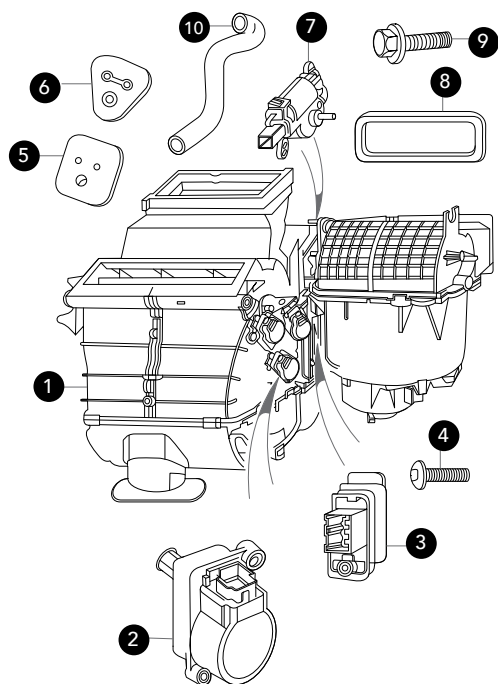


# AIR CONDITIONING & HEATING

## A.C. & HEATER UNIT

1. Evaporator & Blower		
EATC Air Conditioning		
LHD	C2S47900	1
RHD	C2S47901	1
Standard Air Conditioning		
LHD	C2S47898	1
RHD	C2S47899	1
2. Stepper Motor	C2S52007	3
3. Regulator, Standard A/C	C2S7529	1
4. Pan Head Screw	C2S12224	9
5. Seal Finisher		
To VIN C01948	C2S3013	1
From VIN C01949	C2S18225	1
6. Heelboard Seal	C2S3024	1
7. Inlet Door Actuator	C2S34337	1
8. Air Intake Foam Gasket	C2S2993	1
9. Hexagonal Head Screw		
M6 x 20mm	C2S3196	1
10. Evaporator Drain Tube		
11. Heater Blower Inlet Door	C2S15778	1
12. Heater Housing Inlet Duct, LH		
LHD	C2S7537531	1
RHD	C2S12204	1

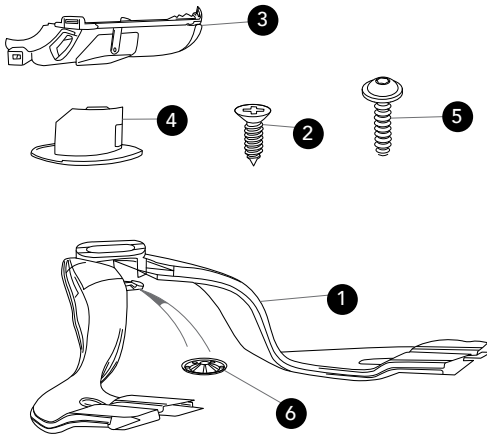
13. Heater Housing Inlet Duct, RH		
LHD	C2S37530	1
RHD	C2S18224	1
14. Spring Steel Edge Clip	C2S3038	7





# AIR CONDITIONING & HEATING

## FACIA AIR DUCTS

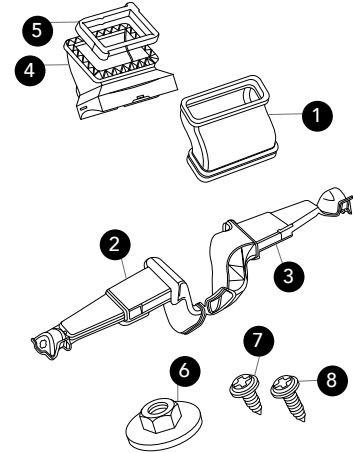


### REAR AIR DUCTS

1. Rear Vent Air Duct	C2S2319	1
2. Countersunk Screw	C2S3195	1
3. Rear Duct		
LHD	C2S31289	1
RHD	C2S32184	1
4. Duct Cover Connector	C2S3008	1
5. Torx Drive Screw	C2S13221	A/R
6. Push Fix	C2S3556	1

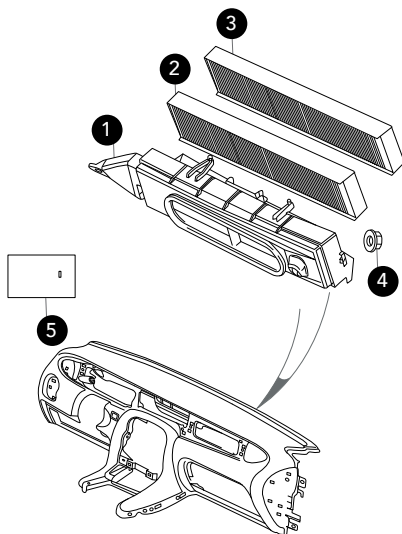
### FACIA AIR DUCTS

1. Primary Air Duct	C2S6904	1
2. Duct	C2S2311	1
3. Duct, RH Front	C2S310	1
4. Inlet Duct Defrost Vent 1	C2S5633	1
Inlet Duct Defrost Vent 2	C2S37525	1
5. Inlet Duct Defrost Vent Gasket	C2S12202	1
6. Nut	C2S3189	1
7. Self Tapping Screw	C2S12617	4
8. Screw/Washer	C2S2312	A/R



# AIR CONDITIONING & HEATING

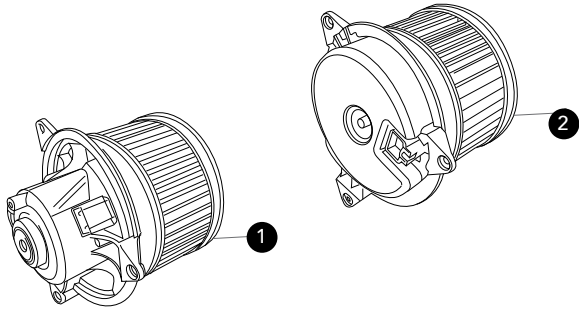
## AIR PARTICLE FILTER



1. Blower Unit Cover		
LHD	C2S22510	1
RHD	C2S22511	1
2. Pollen & Odour Filter, EATC A/C	C2S8622	1
3. Pollen Filter, Standard A/C	C2S8619	1
4. Hexagonal Nut, M8	C2S20868	2
5. Pollen Filter Water Shield		
LHD	C2S29536	1
RHD	C2S29537	1

# AIR CONDITIONING & HEATING

## BLOWER MOTOR ASSEMBLY



### 1. Heater Blower Motor

Standard A/C

LHD	C2S5562	1
RHD	C2S4780	1

### 2. Heater Blower Motor

EATC Air Conditioning

LHD	C2S25790	1
RHD	C2S25791	1

# AIR CONDITIONING & HEATING

## CONDENSOR

### 1. Condensor

Diesel	C2S45122	1
Petrol	C2S43484	1

### 2. Radiator Seal

C2S17586	1
----------	---

### 3. RH Side Seal

To VIN D88173

Diesel	C2S30981	1
--------	----------	---

Petrol	C2S17587	1
--------	----------	---

From VIN D88174	C2S9289	1
-----------------	---------	---

### 4. LH Side Seal

To VIN D88173

Diesel	C2S30982	1
--------	----------	---

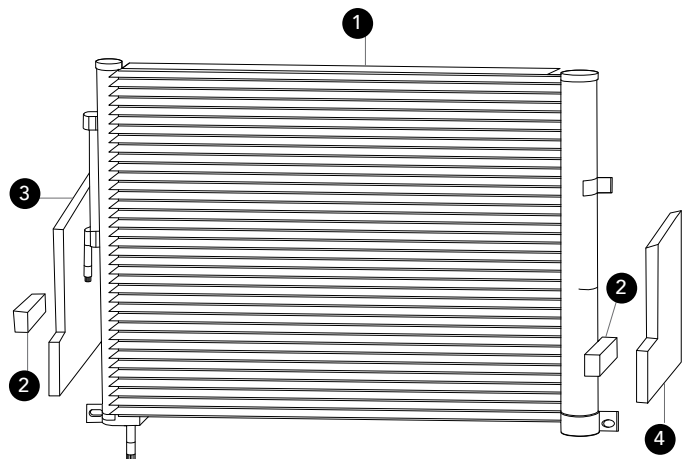
Petrol	C2S17588	1
--------	----------	---

From VIN D88174	C2S9290	1
-----------------	---------	---

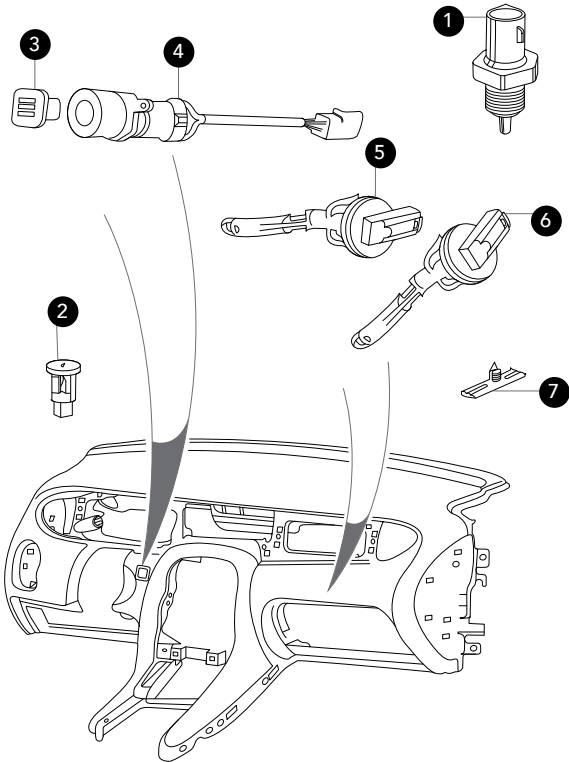
### 5. Insulation Pad

(not shown)

C2S25035	1
----------	---



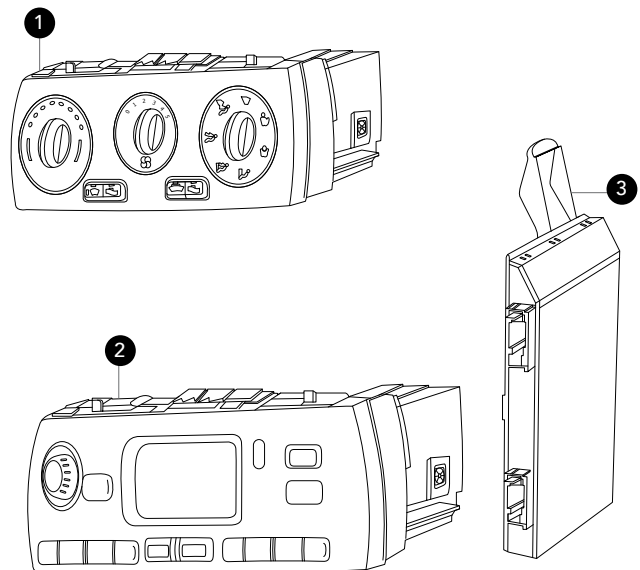
# AIR CONDITIONING & HEATING ASPIRATOR & SENSOR



1. Ambient Air Temperature Sensor			
EATC Air Conditioning	XR858222		1
2. Solar Sensor			
EATC Air Conditioning	C2S2320		1
3. Aspirator Grille		Contact Sales for Colour Options	
4. In Car Sensor			
EATC Air Conditioning	C2S13944		1
5. Air Temperature Sensor			
A/C Discharge, White	C2S3027		1
6 Air Temperature Sensor			
A/C De-Ice, Black	C2S5645		1
7. Double Clip	C2S31399		1

# AIR CONDITIONING & HEATING CONSOLE CONTROL PANEL

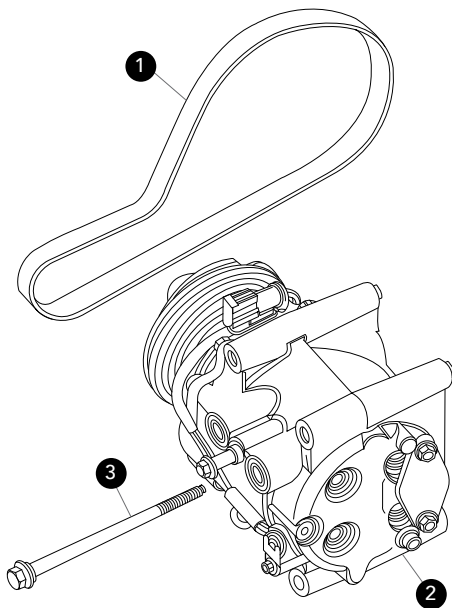
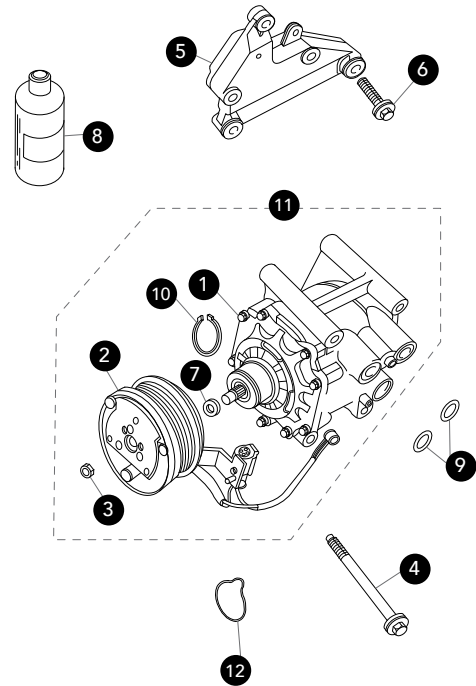
1. Air Conditioning Control Panel			
Standard Air Conditioning	Contact Sales		
2. Air Conditioning Control Panel			
EATC Air Conditioning	Contact Sales		
3. Air Conditioning Control Module	C2S49714		1



# AIR CONDITIONING & HEATING COMPRESSOR

## PETROL

1&2. Compressor With Clutch	XR858532	1
3. Hexagonal Nut	C2S33677	1
4. Hexagonal Flanged Bolt	XR85313	1
5. Compressor Mounting Bracket	C2S5364	1
6. Mounting Bolt	XR85350	3
7. Spacer		
Available From 0.4mm to 1.0mm	Contact Sales	
8. Compressor Oil, 100ml	XR83680	1
9. O-ring	XR831334	2
10. Retaining Ring	XR816681	1
11. Compressor With Clutch	XR858532	1
12. O-ring	XR81342	1



## DIESEL

1. Compressor Drive Belt	C2S27001	1
2. Compressor & Clutch	C2S44910	1
3. Flange Headed Bolt M8 x 103mm	C2S45992	3
Compressor O-ring (not shown)	XR831334	2



# AIR CONDITIONING & HEATING REFRIGERANT HOSES

## 1. Evaporator Inlet Tube

LHD

To VIN C02492 C2S14205 1

VIN C02493 to VIN D58862 C2S17245 1

From VIN D58863 C2S40394 1

RHD

To VIN C02492 C2S17248 1

VIN C02493 to VIN D58862 C2S17246 1

From VIN D58863 C2S40395 1

## 2. Evaporator Outlet Tube

LHD

To VIN C02492 C2S14205 1

From VIN C02493 C2S17247 1

RHD C2S17248 1

## 3. Tube Connector

C2S1051 1

## 4. Special Pipe Clip

C2S1050 1

## 5. Pipe Clamp

C2S10834 1

## 6. Evaporator to Condensor Tube

Diesel

To VIN E60794 C2S27013 1

From VIN E60795 C2S40402 1

Petrol

To VIN D15380 C2S25548 1

From VIN E60795 C2S40401 1

## 7. Accumulator & Seal

To VIN E58862 C2S6013 1

From VIN E58863 C2S41872 1

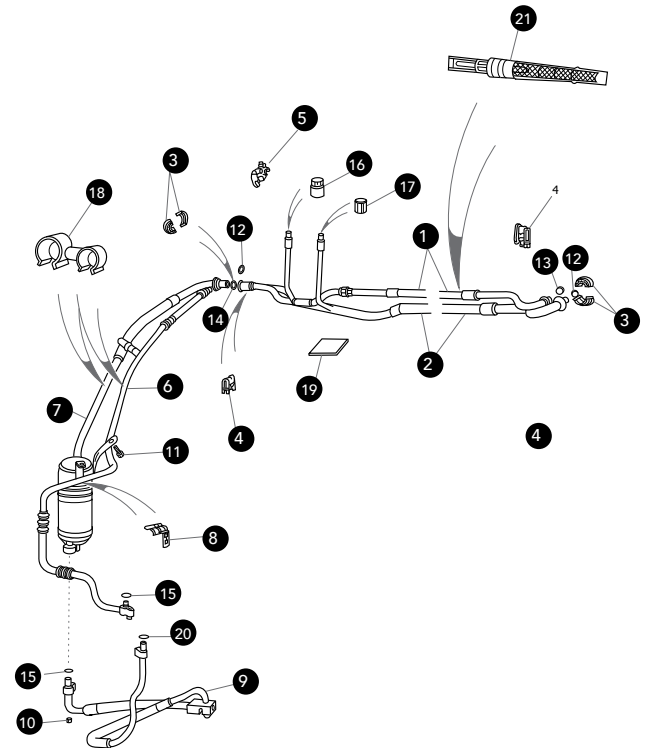
## 8. Hose Bracket

C2S4721 1

## 9. Compressor Hose

To VIN E58862 C2S27012 1

From VIN E58863 C2S45017 1

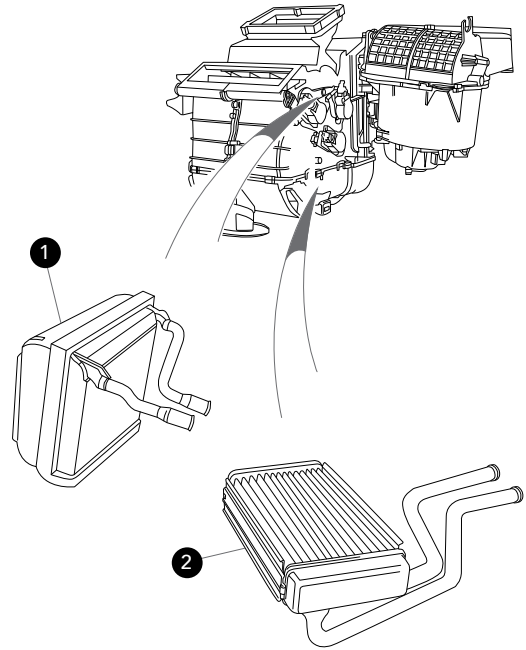


10. Hexagonal Nut, M8	C2S3772	1
11. Flange Headed Screw M6 x 14mm	XR81736	3
12. Sealing Ring	C2S5674	3
13. Sealing Ring	C2S5676	1
14. Sealing Ring	XR85836	1
15. O-ring, Violet	XR83775	2
16. Charge Port Cap, High Pressure	XR81514	1
17. Charge Port Cap, Low Pressure	XR85835	1
18. Pipe Clamp Bracket Retainer	C2S18026	1
19. Foam Pad	C2S17585	1
20. Sealing Ring	C2S5677	1
21. Orifice	C2S10844	1

# AIR CONDITIONING & HEATING

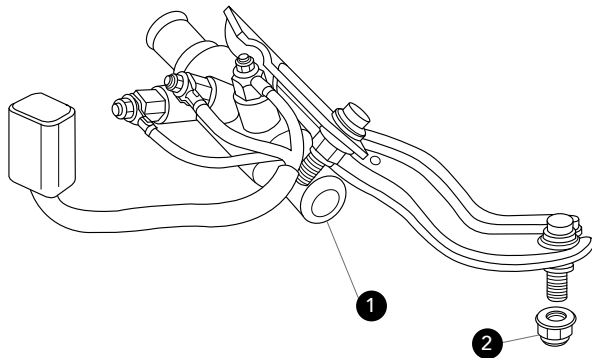
## EVAPORATOR & HEATER MATRIX

1. Evaporator Core	C2S15776	1
2. Heater Core	C2S4781	1



# AIR CONDITIONING & HEATING

## SUPPLEMENTARY HEATER

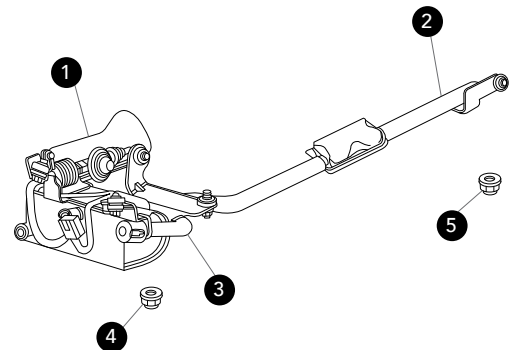


### ELECTRIC DRIVEN

1. Electrically Driven Heater Assembly		
Diesel	C2S48695	1
2. Nut, M8	C2C6609	2

### FUEL FIRED

1. Auxilliary Heater Assembly		
Diesel	C2S51734	1
2. Exhaust Pipe	C2S27008	1
3. Air Intake Tube	C2S27010	1
4. Nut, M8	C2C6609	4
5. Nut, M8	C2C6609	1



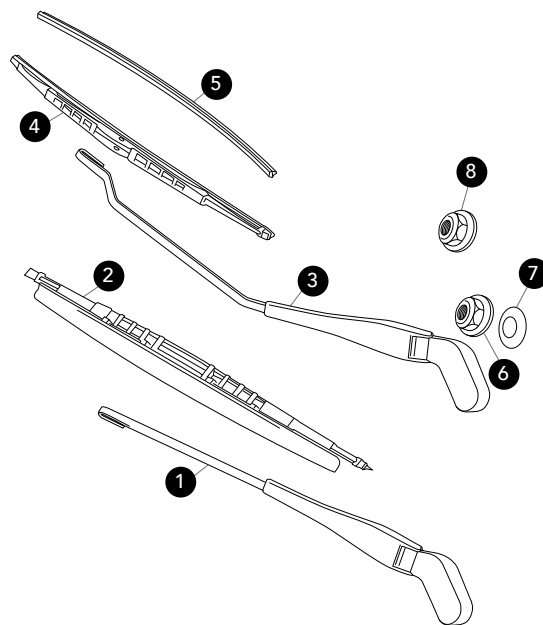
# WASHER & WIPER

## WIPER ARMS & BLADES

### FRONT ARM & BLADE

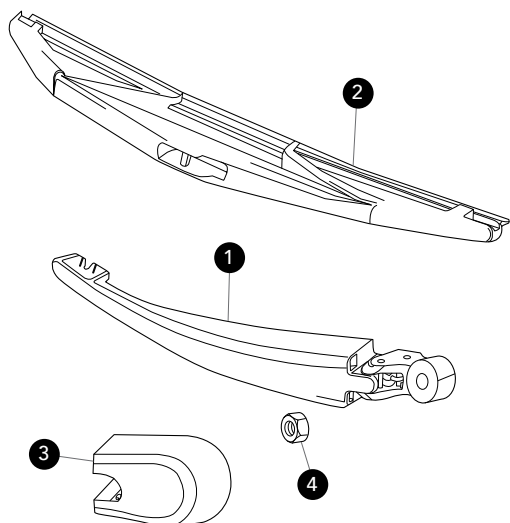
1. Driver's Side Wiper Arm			
LHD	C2S1706	1	
RHD	C2S1705	1	
2. Driver's Side Wiper Blade			
LHD	C2S39930	1	
RHD	C2S39928	1	
3. Passenger Side Wiper Arm			
LHD	C2S1704	1	
RHD	C2S1707	1	
4. Wiper Blade			
Passenger Side	C2S39927	1	
5. Windscreen Wiper Rubber Refill			
Driver's Side	C2S13421	1	
Passenger Side	C2S13422	1	
6. Nut, M8			
To VIN J00170	JFN10804B	2	
7. Washer	C2S5824	2	

8. Nut, M8  
From VIN J00171 C2Z1312 2



### REAR (ESTATE)

1. Wiper Arm	C2S28480	1
2. Wiper Blade	C2S28482	1
3. Wiper Arm Cover	C2S19758	1
4. Plain Thin Nut	C2S27743	1



# WASHER & WIPER

## WIPER MOTOR

### FRONT WIPER MOTOR

#### 1. Wiper Motor and Mechanism

LHD C2S39494 1

RHD C2S39495 1

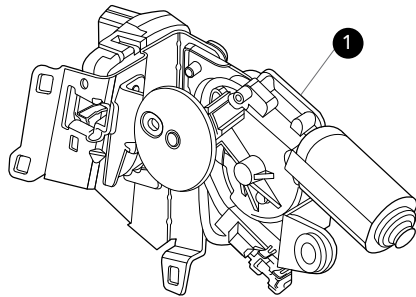
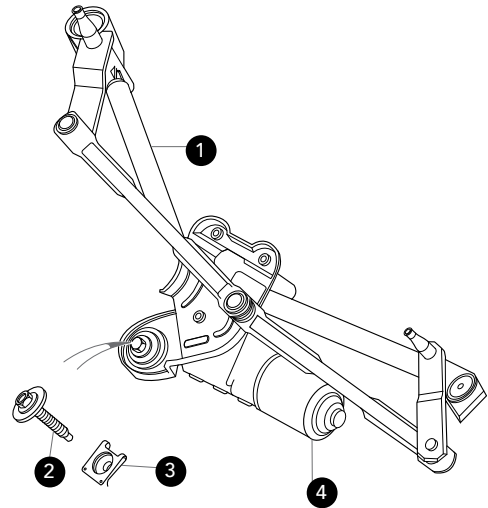
#### 2. Screw/Washer, M6 C2S17370 3

#### 3. Spring Nut, M6 C2S3416 2

#### 4. Windscreen Wiper Motor

LHD C2S36555 1

RHD C2S36556 1



### REAR (ESTATE)

1. Wiper Motor and Mechanism C2S42415 1

# AIR CONDITIONING & HEATING

## SCREENWASH SYSTEM

### FRONT SCREENWASH SYSTEM

#### 1. Screenwash Reservoir

Estate C2S40860 1

Saloon C2S8800 1

#### 2. Reservoir Tube C2S22525 1

#### 3. Reservoir Cap C2S4055 1

#### 4. Screenwash Pump

Estate C2S42395 1

Saloon C2S4065 1

#### 5. Pump Seal C2S4603 1

#### 6. Fluid Level Sensor C2S4061 1

#### 7. Sensor Grommet C2S4604 1

#### 8. Nut C2S3413 3

9. Hexagon Head Screw C2S3063 3

#### 10. Screenwash Hose

To VIN D55321 C2S4066 1

From VIN D55322 C2S21775 1

#### 11. Screenwash Tube C2S47306 1

#### 12. Screenwash Jet C2S16868 2

#### 13. Swivel Pipe Clip C2S12237 3

#### 14. Edge Clip C2S13841 1

#### 15. Washer Tube to Bonnet Clip

To VIN D28516 C2S3615 4

#### 16. Hose Clip C2S15122 1

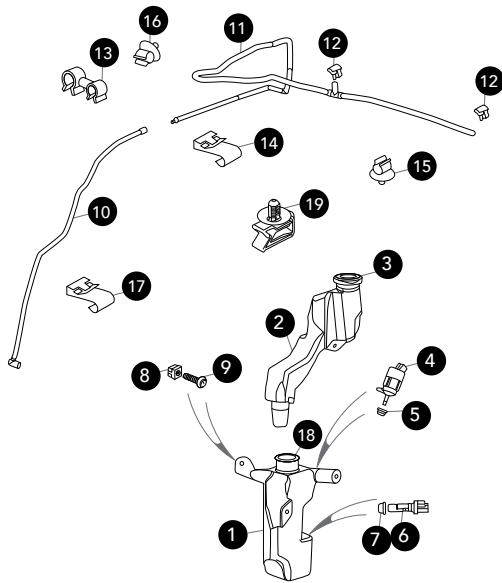
#### 17. Hose Support Clip C2S19251 2

#### 18. Sealing Washer C2S21285 1



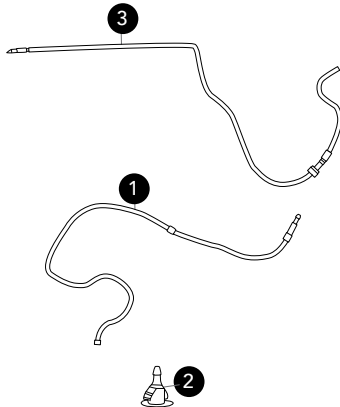
# WASHER & WIPER SCREENWASH SYSTEM

19. Washer Tube to Bonnet Clip  
From VIN D28517 C2S13349 4



## REAR (ESTATE) SCREENWASH SYSTEM

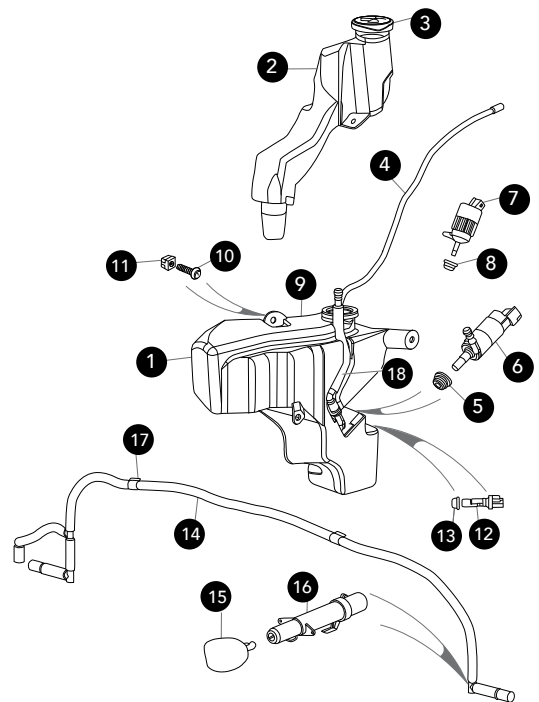
1. Screenwash Tube C2S27739 1  
2. Screenwash Jet C2S21771 1  
3. Screenwash Tube C2S38642 1  
Front/Rear



## WINDSCREEN & HEADLAMP WASHER RESERVOIR

1. Screenwash/Powerwash Reservoir  
Estate C2S40861 1  
Saloon C2S39575 1

2. Reservoir Tube C2S22525 1  
3. Reservoir Cap C2S4055 1  
4. Screenwash Hose C2S4066 1  
5. Headlamp Wash Pump Sealing Grommet C2S7944 1  
6. Headlamp Powerwash Pump C2S40861 1  
7. Screenwash Pump  
Estate C2S42395 1  
Saloon C2S4065 1  
8. Pump Seal C2S4603 1  
9. Reservoir Sealing Washer C2S21285 1  
10. Hexagon Head Screw C2S3063 3  
11. Nut C2S3413 3  
12. Fluid Level Sensor C2S4061 1  
13. Sensor Grommet C2S4604 1  
14. Headlamp Powerwash Hose C2S36457 1  
15. Powerwash Nozzle  
LH Headlamp  
To VIN J39905 C2S30310XXX 1  
From VIN J39906 C2S49829XXX 1  
RH Headlamp  
To VIN J39905 C2S30311XXX 1  
From VIN J39906 C2S49830XXX 1  
16. Powerwash Jet C2S4966 2  
17. Powerwash Hose Pipe Clip C2S10204 2  
18. Reservoir Powerwash Hose C2S21284 1



# SERVICE ITEMS

1. Air Cleaner Element				6. Oil Sump Plug			
Petrol	C2S51377	1		Petrol	XR820128	1	
Diesel	C2S36774	1		Diesel	AJ83017	1	
2. Fuel Filter Element				7. Front Brake Pads			
Petrol	C2S45278	1		To VIN J61531	C2S52079	1	
Diesel	C2S27643	1		From VIN J61532	C2S48022	1	
3. Oil Filter				8. Rear Brake Pads			
Petrol	XR858593	1		To VIN E24053	C2S52080	1	
Diesel	JDE2464	1		VIN E24054 to VIN J61531	C2S52081	1	
4. Air Particle Filter				9. Bulb Kit			
EATC Air Con	C2S8622	1			C2S31481	1	
Non-EATC Air Con	C2S8619	1		10. Antifreeze			
5. Spark Plug				1 Litre	JLM209722	1	
Petrol	C2S46895	6		5 Litre	JLM209723	1	
				11. Windscreen Wash Fluid			
				C2A102010			
				12. Paint Touch-Up Pencil			
				Contact Sales			
				1			



# LUBRICANTS & CLEANING PRODUCTS

## MORRIS® LUBRICANTS

We stock a full range of quality Morris Lubricants (blending oils in Shrewsbury since 1869) that are entirely suitable for both the classic and current Jaguar range.

Oil 20W/50	Gallon	MOR001
Oil 20W/50	1 Litre	MOR002
Oil 15W/50	5 Litre	MOR004
Oil 15W/50	1 Litre	MOR005
Oil 10W/40	Semi synthetic - 5 Litre	MOR007
Oil 10W/40	Semi synthetic - 1 Litre	MOR008
Oil 5W/30	Semi synthetic - 5 Litre	MOR010
Oil 5W/30	Semi synthetic - 1 Litre	MOR011
Running in Oil	5 Litre	MOR013
Dexron 2 ATF	5 Litre	MOR014
Dexron 2 ATF	1 Litre	MOR015
EP80/90	Gear oil - 5 Litre	MOR020
EP80/90	Gear oil - 1 Litre	MOR021
LSD	Gear oil - 5 Litre	MOR022
Oil 10W/50	Comp semi synthetic	MOR023
Mineral Oil	1 Litre	MOR025
Brake Fluid	Dot 4 -1 Litre	MOR027
Brake Fluid	Dot 4 - 500ml	MOR028
Carb Cleaning Spray	400ml	MOR029
MD4	Maintenance spray	MOR030
Pavan	Degreaser	MOR031
Prima	Silicone spray	MOR032
Prise	Anti seize spray	MOR033
Solvent Brake Cleaner	400ml	MOR034
LM Grease	500gm tin	MOR035
Copper Slip	500gm tin	MOR036
Diesel Oil	5 Litre	MOR038
Liquimatic ATF	5 Litre	MOR045
Rubber Grease	500gm tin	RUBBERGREASE

## MORRIS LUBRICANTS



## CLEANING PRODUCTS

Gliptone® Leather Conditioner	250ml	CH5001
Gliptone® Liquid Leather Cleaner	250ml	CH5002
OEM Jaguar Car Body Shampoo	500ml	C2A1016
OEM Jaguar Wax Polish Liquid	500ml	C2A1017
OEM Jaguar Glass Cleaner	500ml	C2A1023

# ACCESSORIES

## OVERMAT ACCESSORIES

1. Over Mat Set Black			
RHD	OMX/1R		1
2. Over Mat Set Beige			
RHD	OMX/8R		1

## WHEEL ACCESSORIES

1. Locking Wheel Nut Kit	C2C9198		1
2. Wheel Nut	C2C35294	A/R	
3. Road Wheel Badge			
Silver on Green	C2C30080		4
Silver on Black	C2C30081		4
Silver on Red	C2N3759		4
4. Alloy Wheel Cleaner	C2S14564		1
5. Alloy Wheel Touch-Up Pencil	C2A1237		
6. Mud Flap Kit			
Front	C2S33913		1
Rear			
Estate	C2S32915		1
Saloon	C2S33912		

## BODY ACCESSORIES

1. Mesh Grille			
To VIN J40141			
Black Finish	C2S36461		1
Polished Stainless	C2S36364		1
2. Mesh Grille (copy)	MESH006		1
3. Lower Mesh Grille			
To VIN J40141			
Black Finish	C2S38966		1
Stainless Steel	C2S43219		1

## 4. Chrome Enhancements

Antenna Cover			
2009 Onwards	XT/ANTC		1
Door Handle Covers			
2005-2008	XT/DHC/P		1
2008 Onwards	XT/DHC/P/1		1
Fog Lamp Rims			
2008 Onwards	XT/FLR/P/1		1
Front Side Reflector Rims			
2008 Onwards	XT/FSRR/P/1		1
Rear Side Reflector Rims			
2008 Onwards	XT/RSRR/P/1		1
Headlamp Rims			
2005-2008	XT/HLR/SET		1
2008 Onwards	XT/HLR/SET/1		1
Mirror Covers			
2005-2008	XT/MC/P		1
2008 Onwards	XT/MC/P/1		1
Rear Lamp Rims			
2005-2008	XT/RLR/P		1
2008 Onwards	XT/RLR/P/1		1
Side Lamp Rims			
2005-2008	XT/SLR/P		1
5. Leaping Jaguar	C2S50920		1
6. Chrome Tailpipe Finisher			
2.0 Litre Petrol	C2S42094		1
2.0/2.2 Litre Diesel	C2S42095		1
2.5/3.0 Litre Petrol	C2S38972		2



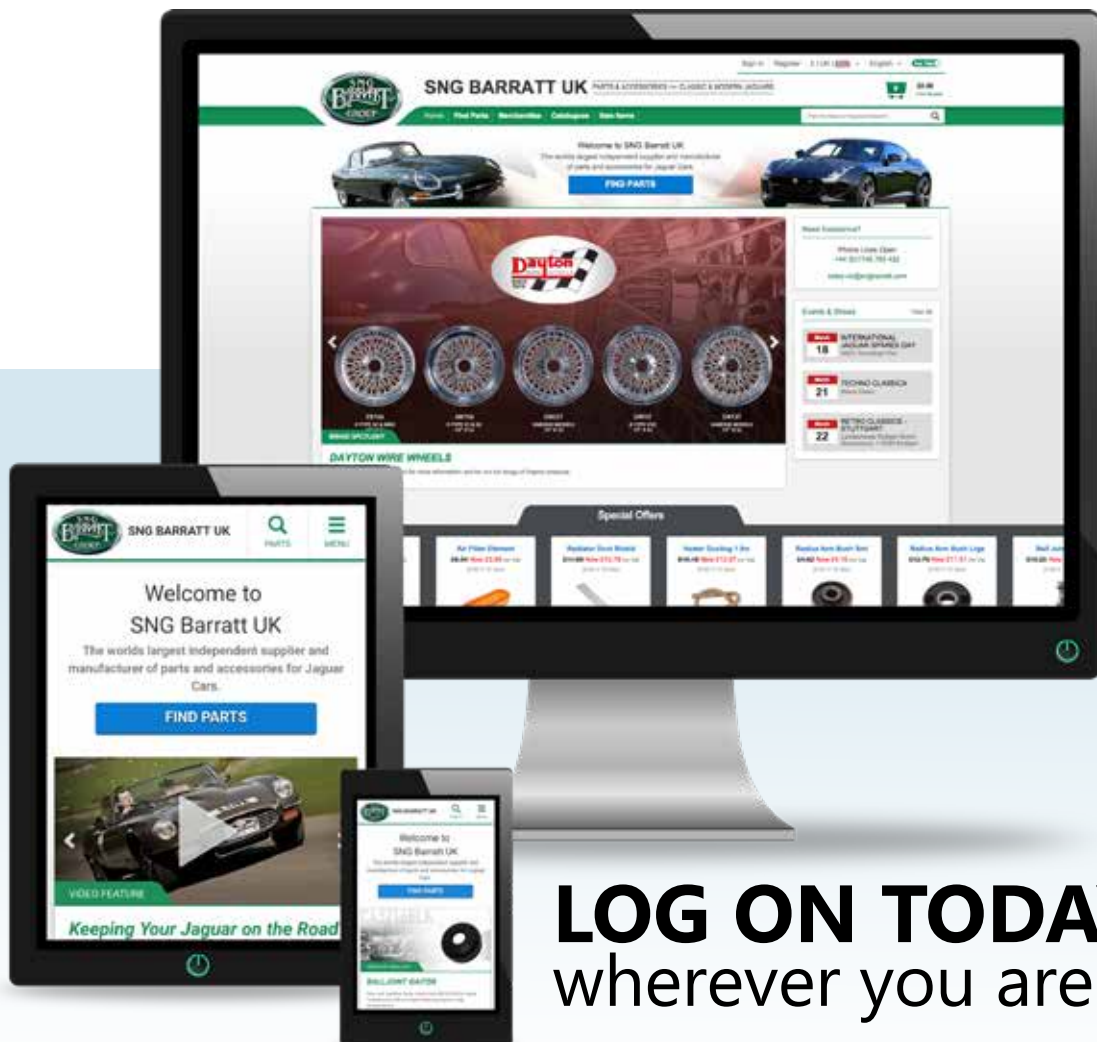
<b>A</b>		CONTROL VALVE	17	FUEL FILTER	114
ACCELERATOR PEDAL	48, 49	COOLER PIPES	53	FUEL INJECTOR	47
AIR CLEANER	40, 114	CORE PLUG	25	FUEL TANK	42, 43
AIR CONDITIONING	104, 107	COWL	37		
AIR DUCTS	105	CRANKSHAFT	11, 23, 99	<b>G</b>	
AIR FLOW SENSOR	40, 99	CROSSMEMBER	65, 66	GEARBOX COOLER PIPES	53
AIR PARTICLE FILTER	105, 114	CRUISE CONTROL SWITCH	62	GEARBOX LINK HARNESS	52
AIR TEMPERATURE SENSOR	107	CYLINDER BLOCK	12, 24	GEARBOX MOUNTING	15
ALLOY WHEEL CLEANER	116	CYLINDER HEAD	12, 25	GEAR CONTROL CABLE	53
ALTERNATOR	98			GEARSHIFT HAND LEVER	51
ANTENNA COVER	116	<b>D</b>		GLASS CLEANER	115
ANTIFREEZE	114	DAMPERS	63	GLIPTONE	115
ANTI-LOCK BRAKING SYSTEM	60	DIFFERENTIAL	55	GLOVEBOX LAMP	96
ANTI ROLL BAR	64	DIPSTICK	19, 30	GLOWPLUG	97
AUXILLIARY HEATER	110	DISCS	58, 59	GLOWPLUG RELAY	100
		DOOR APERTURE SEAL	87	GRILLE	83, 116
<b>B</b>		DOOR GLASS	85, 86	GRILLE BADGE	90
BALL JOINT	67	DOOR HANDLE	88	GRILLE MESH	80
BEARINGS	11, 64	DOOR HANDLE COVERS	116		
BLOWER	104, 106	DOOR HAZARD LAMP	96	<b>H</b>	
BONNET PANEL	76, 77	DOOR MIRROR LAMP	93	HANDBRAKE	60
BOOT LAMP	96	DOOR MIRRORS	84	HAND LEVER	51
BOOT LID BADGE	90	DOOR PANEL ASSEMBLY	76, 77	HEADLAMP ASSEMBLY	91
BOOT LID PANEL	76	DOOR SKIN PANEL	76, 77	HEADLAMP LEVELLING MODULE	92
BOOT RELEASE SWITCH	95	DOWNPIPE	71, 72	HEADLAMP POWERWASH	80
BRAKE BOOSTER	17	DRAIN PIPE	19, 24, 30	HEADLAMP RIMS	116
BRAKE CALIPER SERVICE KIT	58	DRAIN PLUG	108	HEATER FLAP HOUSINGS	104
BRAKE DISCS	58, 59	DRIVE BELT	13, 26	HEATER HOSE	35
BRAKE FLUID	115	DRIVE BELT TENSIONER	13, 38	HEATER MATRIX	110
BRAKE MASTER CYLINDER	61	DRIVE PLATE	13, 26	HEATER OUTLET HOSE	36
BRAKE PADS	58, 59, 114	DRIVESHAFT	56	HEATER VALVE	104
BRAKE PEDAL	62	DUCTING	33	HEATER VALVE	104
BRAKE PIPE	46	DUST SHIELD	59	HEATSHIELD	28, 75
BRAKE SERVO	61			HIGH MOUNTED STOP LAMP	94
BULB KIT	114	<b>E</b>		HORN ASSEMBLY	96
BUMPER COVER	79-82	EGR VALVES	75	HOSES	35, 36
BYPASS TUBE	39	ENGINE COVER	14, 27, 31	HUB & BEARING ASSEMBLY	65
BYPASS VALVE	41	ENGINE DRIVE BELT	13	HUB & CARRIER	65
		ENGINE MOUNTING	14, 27		
<b>C</b>		EVAPORATOR	104, 109, 110	<b>I</b>	
CALIPERS	58, 59	EXHAUST CAMSHAFT	8, 21	IGNITION SWITCH	102
CALIPER SERVICE KIT	58	EXHAUST MANIFOLD	16, 28, 71, 73	INDICATOR SIDE LAMP	93
CAMSHAFT	8, 21, 99	EXHAUST MOUNTING	73	INDUCTION VACUUM HOSE	44
CAMSHAFT COVER	9, 21, 25	EXPANSION TANK	32	INERTIA SWITCH	100
CATALYST	71, 72			INHIBITOR	52
CHANGE SPEED LEVER	52	<b>F</b>		INLET CAMSHAFT	8, 21
CHROME ENHANCEMENTS	116	FACIA AIR DUCTS	105	INLET MANIFOLD	17, 18, 29
CHROME GRILLE	83	FACIA SWITCHPACK PANEL	103	INSULATOR	15
CIGAR LIGHTER	103	FAN & COWL	37	INTERCOOLER	33
CLUTCH	54, 108	FILLER CAP	21, 45, 61, 70		
CLUTCH MASTER CYLINDER	62	FILTER	18, 20, 29, 105, 114	<b>K</b>	
CLUTCH PEDAL	62	FLYWHEEL	54	KNOCK SENSOR	24, 99
CLUTCH SLAVE CYLINDER	50, 62	FLYWHEEL COVER	13, 26		
COMPRESSOR	108	FOG LAMP	92		
CONDENSOR	106	FOG LAMP RIMS	116		
CONNECTING RODS	10, 22	FRAME CARRIER	65		
CONTROL ARM	67	FRONT WING PANEL	76, 77		

# INDEX

<b>L</b>		<b>Q</b>		<b>SUNVISOR</b>		96
LEAPER	76, 77	QUARTER GLASS	85, 86	SUSPENSION HUB		64
LEAPING JAGUAR	90, 116	QUICKSILVER	74	SWITCHES	52, 103	
LEATHER CLEANER	115			SWITCHPACK		102
LOCKING WHEEL NUT KIT	116	<b>R</b>		<b>T</b>		
<b>M</b>		RADIATOR	34	TAILGATE PANEL		77
MANIFOLDS	16, 18, 28, 29, 71	RADIATOR FAN	37	TAILPIPE		73
MAP SENSOR	17, 33, 99	RADIATOR GRILLE	83	TAILPIPE FINISHER		116
MEMORY MIRROR	84	RADIATOR GRILLE BADGE	90	TAPPET ADJUSTMENT SHIMS		9
MESH GRILLE	83, 116	RAIN SENSOR	102	TEMPERATURE SENSOR	25, 99	
MORRIS	115	RANGE SENSOR	52	TENSIONER		38
MOUNTINGS	44, 73	REAR FRAME CARRIER	65	THERMAL SENSOR		72
MUD FLAP KIT	116	REAR HUB & CARRIER	65	THERMOSTAT	29, 35, 39	
MULTIFUNCTION RELAY	100	REAR LAMP CLUSTER	94	THERMOSTAT HOUSING		39
<b>N</b>		REAR LAMP RIMS	116	THROTTLE BODY		41
NUMBER PLATE LAMP	95	REFLECTOR	93	THROTTLE HOUSING		41
NUMBER PLATE PLINTH	79, 80	REFLECTOR RIMS	116	TIMING CHAINS	20, 31	
<b>O</b>		REFRIGERANT HOSES	109	TIMING COVER	20, 31	
OIL COOLER	18, 29	RELAYS	100	TIMING DISC 11		
OIL COOLER HOSE	53	REMOTE CONTROL HANDLE	87	TIPTRONIC		51
OIL FILLER CAP	21	RESERVOIR	46, 61, 112	TOWING EYE COVER	79, 80, 81, 82	
OIL FILTER	18, 20, 29, 114	REVERSING AID MODULE	101	TRACTION CONTROL		68
OIL PRESSURE SWITCH	29, 99	ROAD SPRING	63	TRANSDUCER		69
OIL PUMP	19, 30	ROAD WHEEL BADGE	116	TRANSFER BOX		57
OIL SUMP	30	ROLL RESTRICTOR	16	<b>V</b>		
OIL SUMP PAN	19	RUNNING IN OIL	115	VACUUM HOSE		44
OIL SUMP PLUG	114	<b>S</b>		VALANCE PANEL	79, 80	
ON PLUG IGNITION COIL	97	SCREENWASH JET	112, 113	VALVES	8, 21	
OUTLET WATER HOSE	35	SCREENWASH PUMP	112	VERTICAL LINK		64
OVER MAT SET	116	SCREENWASH RESERVOIR	112	<b>W</b>		
OXYGEN SENSOR	71	SENDER	42, 43	WATER HOSE		36
<b>P</b>		SHAMPOO	115	WATER OUTLET		39
PAINT TOUCH-UP PENCIL	114	SHIMS	9	WATER PUMP		38
PARKING AID	79, 80, 81, 82	SIDE LAMP RIMS	116	WATER PUMP DRIVE BELT		13
PAS HOSE	70	SIDE MARKER/REFLEX LAMP	93	WAX POLISH LIQUID		115
PAS RESERVOIR	70	SILENCER	73, 74	WHEELARCH LINER		78
PEDAL	48, 49	SOLENOID	9, 20	WHEEL BADGE		116
PISTON RING KIT	10	SOLENOID VALVE	99	WHEEL BEARING		64
PISTONS	10, 22	SPARK PLUG	9, 97, 114	WHEEL NUT		116
POWER FOLD MIRROR RELAY	100	SPEED SENSOR	24, 60	WIND DEFLECTOR		79
POWER PARK	84	SPLASH GUARD	78	WINDOW LIFT SWITCH		102
POWER STEERING PUMP	68	SPOILER	76	WINDOW REGULATOR	85, 86	
POWERWASH JET	113	SPORTS EXHAUST SYSTEM	74	WINDSCREEN WASH FLUID		114
POWERWASH RESERVOIR	113	SPRING	63	WINDSCREEN WIPER RUBBER		111
PRIMARY DOOR SEAL	87	STABILITY CONTROL SWITCH	102	WIPER ARM		111
PROPSHAFT	55	STARTER MOTOR	97	WIPER BLADE		111
PULLEYS	13, 23, 26	STEERING COLUMN SWITCH	103	WIPER MOTOR		112
PURGE VALVE	46	STEERING RACK	69	WIPER MOTOR RELAY		100
		STEPPER MOTOR	104	WISHBONES		67
		STONE GUARD	52	WOODRUFF KEY		11
		STOP LAMP	94			
		STOPLAMP SWITCH	62			
		STRIPPED ENGINE	14, 27			
		SUMP	19, 30			
		SUMP PLUG	114			

# Order your parts online...

- ✓ Modern and dynamic look
- ✓ Easier and faster Parts Finder for easier ordering
- ✓ Updated illustrations for E-Type and XK
- ✓ Multi-lingual including French, Dutch and German
- ✓ Phone and tablet compatible



**LOG ON TODAY**  
wherever you are

[www.sngbarratt.com](http://www.sngbarratt.com)

ALL MODELS COVERED • UPGRADES • PARTS MADE IN HOUSE  
OVER 50,000 PARTS AVAILABLE • EASY ONLINE ORDERING

S·N·G  
**BARRATT**  
GROUP

[www.sngbarratt.com](http://www.sngbarratt.com)