



The Result Of A Lost Line.
Where the rubber hits the ...roof





Before the C-Port, treated wood and plastics dominated rooftops with pipe and duct supports.





Drawbacks of Wood and Plastics

- Deteriorates
- Punctures The Roof Membrane
- Floats
- Leaches Harmful Chemicals





Does This Look Professional?



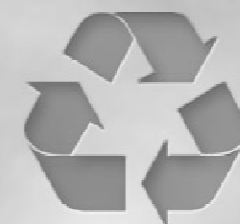


Does This Look Safe?





C-Port Technology!





Pipe Supports Before....



www.c-port.net



C-Port Technology!



www.c-port.net



Duct Supports Before....



www.c-port.net



C-Port Technology!





- Sustainable
- Non-Penetrating
- Environmental
- UV Resistant
- Dampens Vibration
- Reflective At Night
- Adaptable To Any Pitch of Roof





C-Port Technology is Adaptable For Any Support Need





There are over 280 million tires thrown out in the USA each year!

C-Port is made with 100% recycled rubber, C-PORT is helping our world move to a more sustainable future.





Lets Get Rid of Sites Like These!



www.c-port.net



Use The C-Port Solution!





- 4 C-Ports = One Recycled Tire
- Eligible for LEED credits in the “*Materials and Resource*” and “*Sustainable Sites*” categories





Which one will you choose?



C-PORT

YOUR ROOFTOP SUPPORT SOLUTION



C- STRUT SUPPORT SERIES



CXM: MINI-PORT



CX-VALUE SERIES



CB- BRIDGE SERIES



CE- EXTENSION SERIES



CS- VARI- ANGLE SERIES



CES- EXTENSION



DSA- DUCT SUPPORT

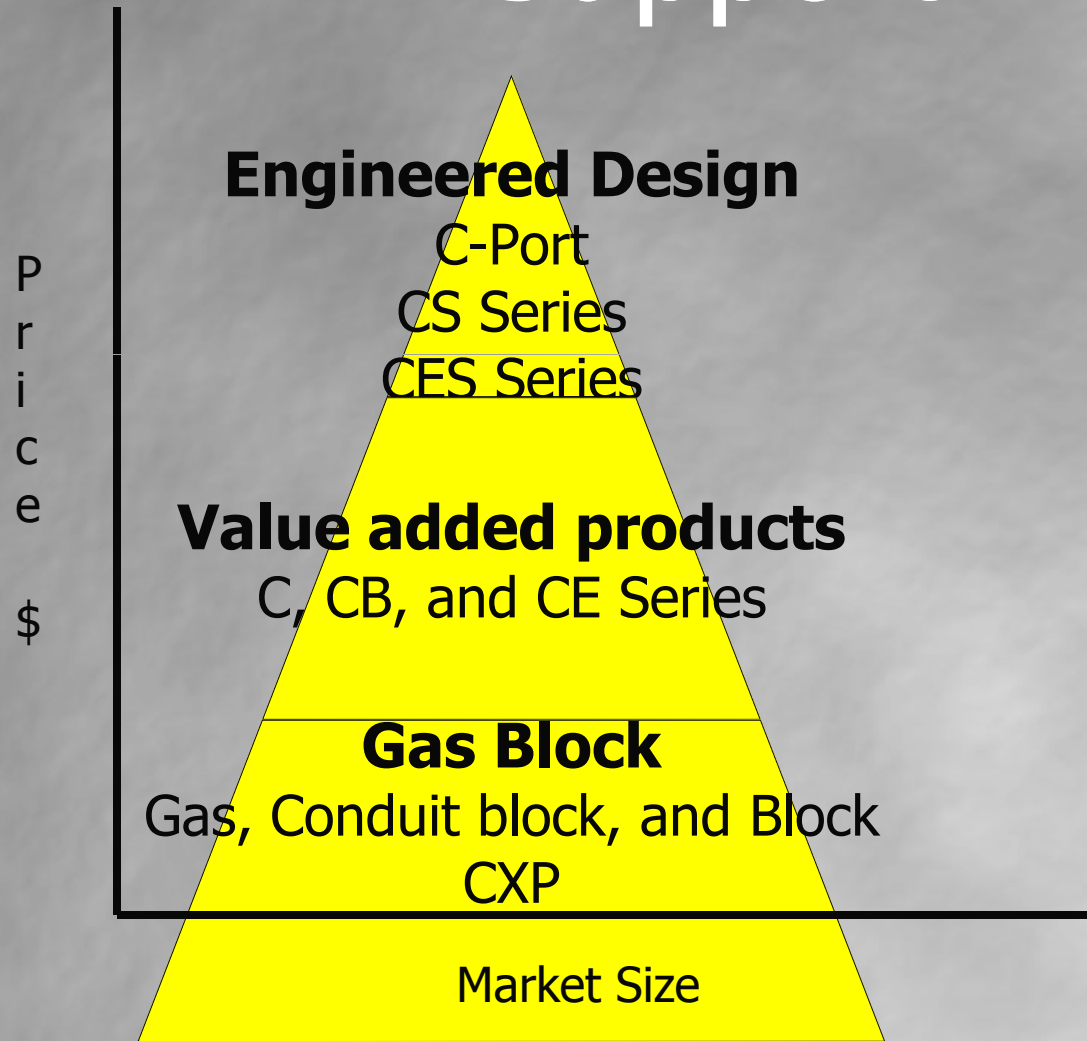


AIR-PORT SERIES





Support Market

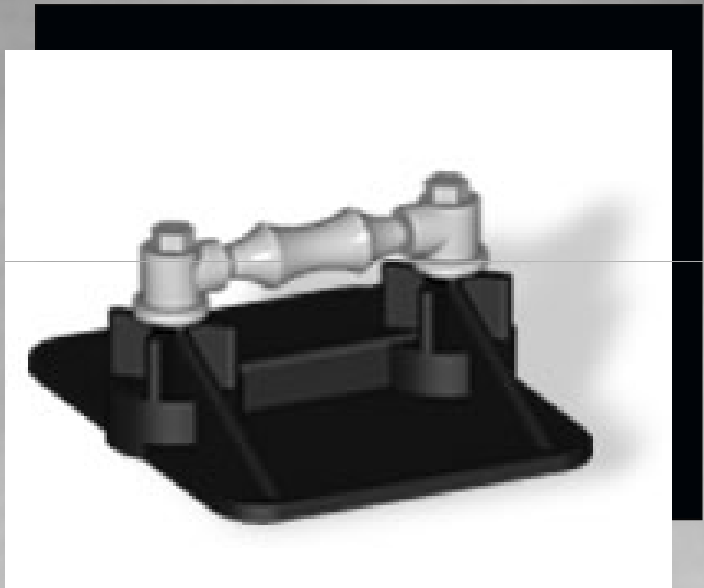




Miro

The Competition





PHP



www.c-port.net



Erico





Pipe Pier



www.c-port.net



Quick Block





Specification Work

- Walmart Canada
- Home Depot Canada
- Life Time Fitness





SPECIFICATIONS:

CXM MINI-PORT

Base Only Dimensions

4" High x 6" Wide x 4.5" Long (base length)

Material

100% recycled rubber, UV resistant

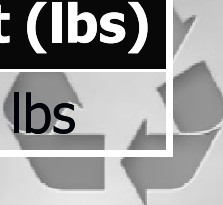
Maximum Load

150 lbs.

C-Port *CXM Mini-Port is perfect for conduit and small piping.*



Cat No.	Height	Width	Length	Weight (lbs)
CXM	4" (101mm)	6"(152mm)	4.5"(113mm)	4.56 lbs





CX-VALUE SERIES

SPECIFICATIONS:

Base Only Dimensions

4" High x 6" Wide x 9.6" Long (base length)

Material

100% recycled rubber, UV resistant

Maximum Load

500 lbs.



C-Port CX-Series channel support is designed as an economical support of gas piping systems, electrical conduit, HVAC equipment and many other applications. The **C-Port** is UV resistant and approved for any type of roofing material or other flat surfaces. Material effectively accepts screw fasteners for securing one (1) or two (2) hole straps (not included).

Cat No.	Height	Width	Length	Weight (lbs)
CXP	4" (101mm)	6"(152mm)	9.6"(244mm)	2.60 lbs





C-SERIES

SPECIFICATIONS:

Base with 14 ga. Galv. Channel (13/16" high)

Dimensions - 47/8" High x 6" Wide x 9.6" to 48" Length (base length)

Material - 100% recycled rubber, UV resistant

Maximum Load - 750 lbs./ft.

C-Port C-Series channel support is designed for superior support of gas and refrigeration piping systems, cable tray, electrical conduit, multiple lines, HVAC equipment and many other applications. The C-Port is UV resistant and suitable for installation on any type of roofing material or other flat surfaces. Can be used as a curb (sleeper) replacement.





C-SERIES

Cat No.	Height	Width	Length	Weight (lbs)
C10	47/8" (122mm)	6"(152mm)	9.6"(244mm)	5.30 lbs
C20	47/8" (122mm)	6"(152mm)	22"(558.80mm)	11.23 lbs
C30	47/8" (122mm)	6"(152mm)	28.8" (731mm)	16.31 lbs
C40	47/8" (122mm)	6"(152mm)	38.5"(978mm)	21.72 lbs
C48	47/8" (122mm)	6"(152mm)	48"(1219mm)	27.12 lbs
C610	6"(152mm)	6"(152mm)	9.6"(244mm)	6.75 lbs
C10SS	47/8" (122mm)	6"(152mm)	6"(152mm)	6.98 lbs





CE-EXTENSION SERIES

SPECIFICATIONS:

Base with two (2) 1/2" Electro Zinc All Threaded Rod Risers and 14 ga. Galv.

Channel (7/8" high)

Dimensions - Overall Height as Specified

Base - 4" High x 6" Wide x Length (base length)

Material - 100% recycled rubber, UV resistant

Load Rating - 150 lbs.

C-Port CE-Series channel support is designed as a superior extended support for gas and refrigeration piping systems, cable tray, conduit and many other applications. The CE series is designed to be adjustable from 8" - 16". The C-Port is UV resistant and suitable for installation on any type of roofing material or other flat surfaces.





CE-EXTENSION SERIES

Cat No.	Height	Width	Length	Weight (lbs)
CE10-8	8" (203mm)	6"(152mm)	9.6"(244mm)	6.14 lbs
CE10-12	12" (305mm)	6"(152mm)	9.6"(244mm)	6.50 lbs
C20-16	16" (406mm)	6"(152mm)	9.6"(244mm)	13.65 lbs

**A wide range of pipe clamps
and straps can be used with this support.**
Available in corrosion resistant stainless steel or aluminum.





SPECIFICATIONS:

Base:

Dimensions - 10" High x 12" Wide x 9.6" Base Length

Material - 100% recycled rubber, UV resistant

Load Rating - 150 - 500 lbs.

Clamps:

Dimensions - as specified

Material - Galvanized steel with self-tapping screws



*CES-SERIES
(Medium Load)*

C-Port CES-Series support is designed as a superior support for rooftop applications requiring a heavier load bearing.

The C-Port is made from 100% recycled rubber, is UV resistant, provides solid support and dampens vibration. It is perfect for any heavy pipe application.





*CES-SERIES
(Medium Load)*

Cat No.	Height	Width	Length	Weight (lbs)
CES10-1012	10" (250mm)	24"(600mm)	9.6"(244mm)	14.21 lbs
CES10-1024	12" (300mm)	24"(600mm)	9.6"(244mm)	15.62 lbs





CESH-SERIES (Heavy Load)

SPECIFICATIONS:

Base only:

Dimensions - 16" High x 24" Wide x 22" Extension

Material - 100% recycled rubber, UV resistant

Load Rating - 500 - 750 lbs.

Clamps:

Dimensions - as specified

Material - Galvanized steel with self-tapping screws

C-Port CES-Extension H (Heavy Load) Series

Support is designed as a superior support for rooftop applications requiring a heavier load bearing.



Cat No.	Height	Width	Length	Weight (lbs)
CESH20-1624	16" (400mm)	24"(600mm)	22"(550mm)	45.02 lbs
CESH20-1636	16" (400mm)	36"(600mm)	22"(550mm)	48.34 lbs



CB-BRIDGE SERIES

SPECIFICATIONS:

Two (2) Bases Bridged with 12 ga. Galv. Channel (1-5/8" high)

Dimensions - 5 5/8" High x 6" Wide x Bridge Length (overall length)

Material - 100% recycled rubber, UV resistant

Load Rating - Each base rated at 500 lbs. Refer to beam load of channel at various lengths as other factor. (see Strut catalog)

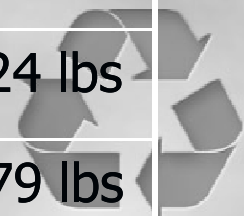
C-Port CB-Series channel support is designed as a superior sleeper for HVAC equipment, cable tray, roof walkway systems, refrigeration equipment and many other applications. The **C-Port** is UV resistant and suitable for installation on any type of roofing material or other flat surfaces.





CB-BRIDGE SERIES

Cat No.	Height	Width	Length	Weight (lbs)
CB10-28	5 5/8" (143mm)	6"(152mm)	28"(711mm)	13.59 lbs
CB10-36	5 5/8" (143mm)	6"(152mm)	36"(917mm)	14.88 lbs
CB10-42	5 5/8" (143mm)	6"(152mm)	42"(1067mm)	15.66 lbs
CB10-50	5 5/8" (143mm)	6"(152mm)	50(1270mm)	17.24 lbs
CB10-60	5 5/8" (143mm)	6"(152mm)	60"(1524mm)	18.79 lbs





CS-VARI-ANGLE SERIES

SPECIFICATIONS:

Base with 12 ga. Galv. Channel (1-5/8" high) and Adapter Leg

Dimensions - 55/8" High (not including height of adapter leg) x 6" Wide x Length (base length)

Material - 100% recycled rubber, UV resistant

Adapter Fitting - 17/8" x 17/8" Square Tube with 9/16" holes on all four (4) sides.

Maximum Load - 500 lbs.



***C-Port** CS-Series support is variable angle support designed for ventilation duct, walkway systems, HVAC equipment and many other applications installed on sloped or uneven surfaces. Adapter leg will accommodate 1-5/8" x 1-5/8" steel strut for framing. The **C-Port** is UV resistant and suitable for installation on any type of roofing material, and sloped surfaces.*





CS-VARI-ANGLE SERIES

Cat No.	Height	Width	Length	Weight (lbs)
CS10	5 5/8" (143mm)	6"(152mm)	9.6"(244mm)	7.97 lbs
CS20	5 5/8" (143mm)	6"(152mm)	22"(558.80mm)	15.07 lbs
CS30	5 5/8" (143mm)	6"(152mm)	28.8"(731mm)	20.29 lbs
CS40	5 5/8" (143mm)	6"(152mm)	38.5(978mm)	26.43 lbs
CS48	5 5/8" (143mm)	6"(152mm)	48"(1219mm)	32.60 lbs





DSA-DUCT SUPPORT SERIES

SPECIFICATIONS:

Telescopic Crossbeam:

Outer piece: Dimensions - 1-7/8" x 1-7/8"

Inner piece: Dimensions - 1-5/8" x 1-5/8"

Material - 12ga galvanized steel

Vari-Angle Bracket:

Dimensions - 5-7/8" x 1-7/8"

Material - 1/4" Hot rolled, zinc plated carbon steel

Curbs:

Dimensions - 4" High x 6" Wide x Length

(as specified)

Material - 100% recycled rubber, UV resistant

Maximum Load - 300 lbs.

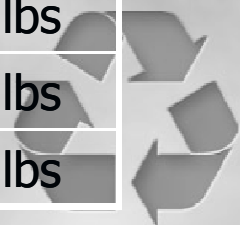
C-Port DSA-Duct Support Series is an application designed specifically for ductwork. Telescopic crossbeam allows for easy size adjustments. The bases feature vari-angle C-Ports which adapt to any roof pitch and are made of 100% recycled rubber and 15% recycled metal. C-ports can be adhered to any roof membrane using approved adhesives (if required).





DSA-DUCT SUPPORT SERIES

Cat No.	Height	Width	Length	Weight (lbs)
DSA10-1831	18" (143mm)	31"(450mm)	10"(250mm)	39.9lbs
DSA10-3157	31" (143mm)	57"(775mm)	10"(250mm)	45.1 lbs
DSA10-57102	57" (143mm)	102"(152mm)	10"(250mm)	50.1 lbs
DSA20-1837	18" (143mm)	31"(152mm)	20(500mm)	50.25lbs
DSA20-3157	31" (143mm)	57"(152mm)	20(500mm)	55.45 lbs
DSA20-57102	57" (143mm)	102"(152mm)	20(500mm)	60.45 lbs
DSA30-1831	18" (143mm)	31"(450mm)	30(750mm)	55.9 lbs
DSA30-3157	31" (143mm)	57"(775mm)	30(750mm)	61.1 lbs
DSA30-57102	57" (143mm)	102"(152mm)	30(750mm)	66.1 lbs





AIR-PORT UTILITY PADS

SPECIFICATIONS:

Curb:

Dimensions - 2" High x 5" Wide x Length
(base length)

Material - 100% recycled rubber,
UV resistant

Weight - 7 lbs (AP24), 10.5 lbs (AP36)

Maximum Load - 820 lbs (all sizes)



C-Port Air-Port Utility Pads are made from 100% recycled rubber and designed as a non-penetrating economical and light-weight support safe for installation on any type of roofing material or other flat surface. Grooved recessed tray design prevents movement and dampens vibration while providing a solid support for all electrical and HVAC equipment. The proprietary free-flow leg system allows for easy water passage beneath the equipment inhibiting the growth of harmful moss and mould. The UV resistant AIR-PORT is the perfect long-lasting alternative to roof-damaging heavy concrete curbing and pressure-treated wood blocks.





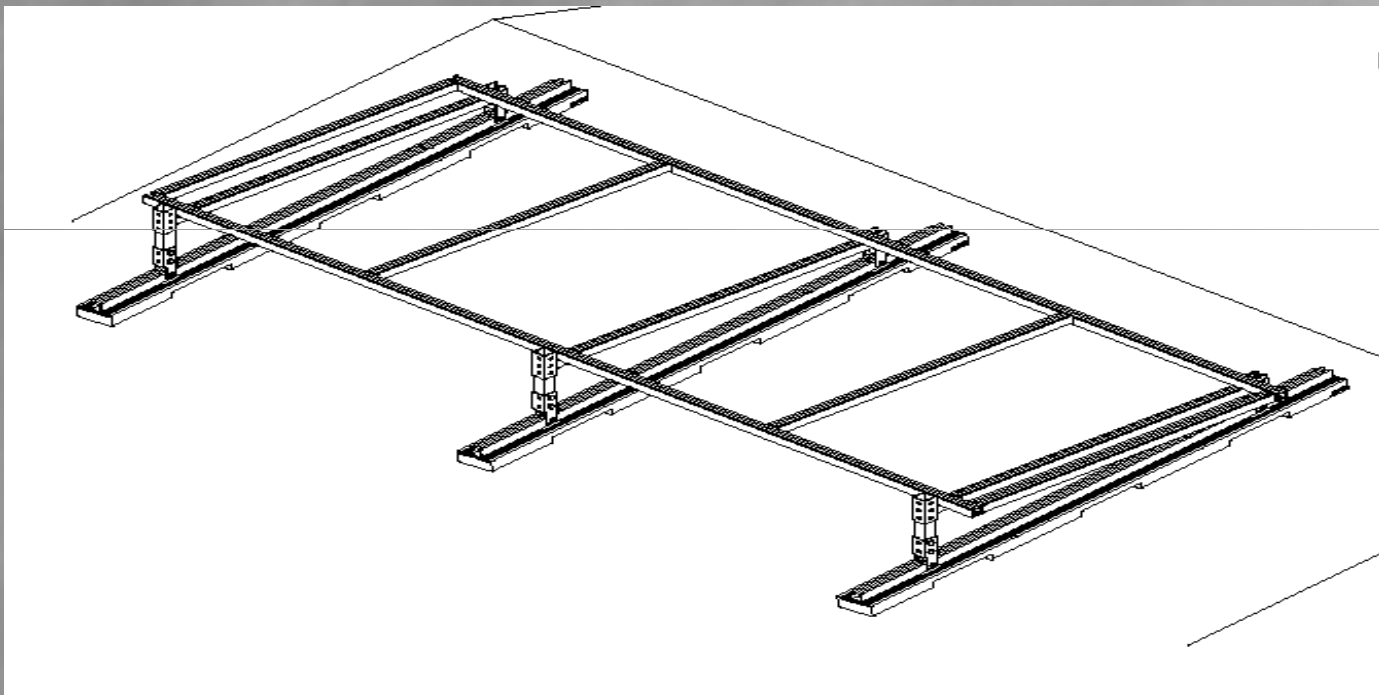
AIR-PORT UTILITY PADS

Cat No.	Height	Width	Length	Weight (lbs)
AP24	2"	5"	24"	7 lbs
CES10-1024	2"	5"	24"	10.50 lbs





Mr.Slim



www.c-port.net

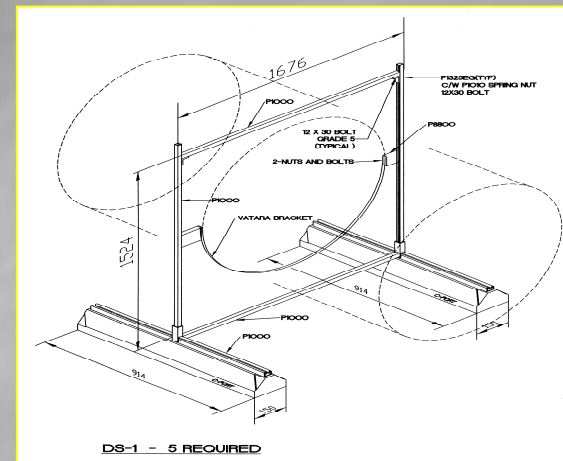
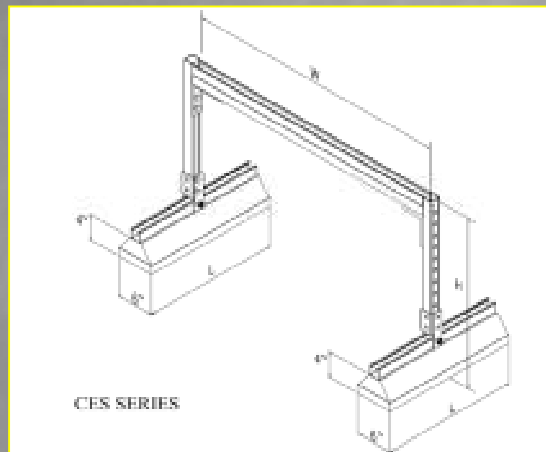
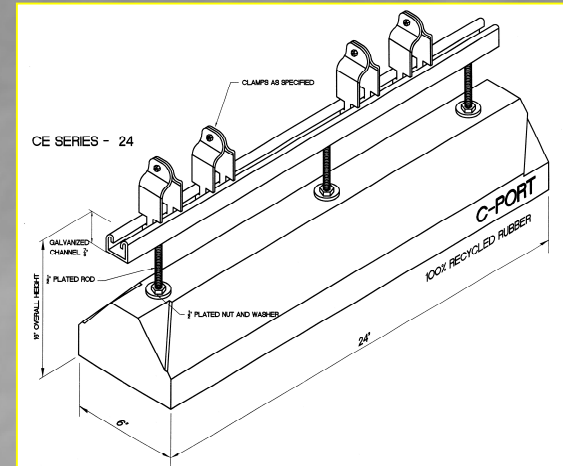
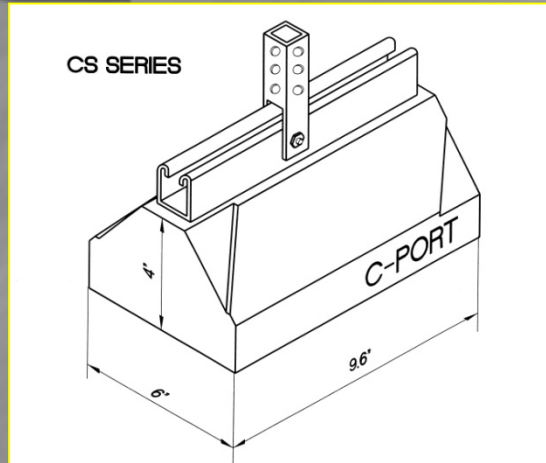


www.c-port.net



www.c-port.net





CAD Drawings available for download at:

www.c-port.net

