



CP
COOPER PEGLER

S P R A Y I N G T E C H N O L O G Y

Professional Sprayers



Made in France
European
Quality

N°14

Cooper Pegler, the specialist for professionals

“Cooper Pegler’s mission is to guarantee users disease free crops using reliable, precise and efficient sprayers that they are taught how to use and maintain. It is our goal to continue to produce the most robust, reliable and user-friendly sprayers on the market.”

For over 100 years Cooper Pegler has specialised in the development and manufacture of sprayers for the application of crop protection treatments. In 1995 Cooper Pegler was integrated into the Hardi Group and in 2007 into Exel Industries– the world’s largest manufacturer of crop care equipment. Exel industries' specialised knowledge in application technology and manufacturing skills together with Cooper Pegler’s century long experience and presence in the world market **is integrated into every product we make today, as well as in the wide range of accessories and spare parts.**



A drop in the right place :

Crop spraying plays a crucial role in protecting the world’s crops against diseases. To ensure that yield losses are kept as low as possible whilst optimising the use of phytosanitary treatments, it is vital that the delivery of crop protection liquids is efficient, punctual and precise.

DEDICATION AND SPECIALISATION

Knapsack sprayers have always been the core products of Cooper Pegler. Close liaison with chemical manufacturers and continuous product development to meet the evolving needs of the future ensure that Cooper Pegler continues to set the benchmark for quality around the world for safe, punctual and precise delivery of a liquid from a sprayer tank to its intended destination. We stay committed to maintaining and advancing with **a wider range including Battery powered sprayers, Ultra Low Volume** in order to answer all types of needs. **Our Maxi Pro Compression sprayers have also been improved for greater comfort and safety.**

PRODUCTION & QUALITY

Ensuring reliability and precision of a high quality sprayer entails tight control over all production conditions. Therefore, all main Cooper Pegler products and components are assembled at our **factory in France by a skilled and quality conscious workforce.**

- Up to 95% assembled in-house
- ISO v 2008 certification
- Quality check 2000 hours of simulated use and many quality checks per day on each production lot.



EDUCATION

Cooper Pegler's mission is not only to manufacture reliable and efficient sprayers but also to enable users around the world to achieve disease free crops with reliable and efficient sprayers that they are taught how to use and maintain. To realise this aim, we support our products with thorough **field education programmes covering operation, maintenance and safe use**. Because educational requirements can vary considerably from one country to another, and from one application to another, **we tailor all our programmes** to meet the user's precise needs.



SERVICE AND SUPPORT

Cooper Pegler products are robust to provide years of reliable use. Through an efficient service network operated by selected agrochemical manufacturers, distributors and agents, we ensure that replacement components are readily available and promptly despatched to users wherever in the world they may be. The same prompt service also applies to the practical and technical advice we can offer either by phone or via our website **www.cooper-pegler.com**

AN INTERNATIONAL SETTING:

The Cooper Pegler brand is present on the European, African and Latin-American continents, selling 75% of its turnover outside of Great Britain, its native country.

In the main zones where agricultural crops are manually maintained, Cooper Pegler sprayers have proved their robust and reliable characteristics, essential when choosing professional equipment.



Cooper Pegler brand

Specialists in spraying technology, Cooper Pegler is recognised worldwide for its conceiving and manufacturing of high quality products: for every product in its range the brand commits itself to offer :

- . **Robust and lightweight design**
- . **Wide range of accessories**
- . **Very few wearing parts**
- . **Low cost maintenance**
- . **All parts readily available and easily changed.**

Lance and trigger

- Very durable and corrosion resistant
- Polypropylene fibreglass reinforced tube
- Very ergonomic (comfortable for intensive use)
- Radial Viton® O-rings for good chemical resistance
- Filter for secondary filtration
- Lock "off" safety function
- Brass piston in the trigger



Index

CP Servicing / Sales Tools	p.5
CP 1.5	p.6
CP 5 / CP 8	p.7
Diaphragm Technology	p.8
Safety Harness	p.9
CP 15 Evolution	p.10
CP 3 Evolution	p.11
CP Classic range	p.12
CP 2000 series range	p.13
CP 18	p.14
CP ULV	p.15
CP Inox	p.16
Mistblower	p.18
Accessories :	p.19
- Nozzles	
- Lances	
- Weed killing	
- Booms	
- Kits	
Breakdown drawings :	p.26
- CP 5 / CP 8	
- CP 18	
- CP 15 / CP 3	
- Mistblower	
Logistic information	p.34



THE ORIGINAL

A stamp "THE ORIGINAL - since 1894" has been created to mark authentic CP products: it now appears on product labels to distinguish against copies.

On the new box, you will also find the following text :

«Counterfeit copies are illegal and of poor quality. Care should be taken as these products are not manufactured in accordance with Cooper Pegler's rigorous reliability, build and safety standards .»



ASK FOR THE ORIGINAL SPARE PARTS !

The crank and the diaphragm are key parts for the reliability of any knapsack: if replaced by poor-quality spare parts, the sprayer can under-perform or even be durably and irreversibly damaged.

To quickly authenticate these parts, look for the **Cooper Pegler stamp**.

Crank



Diaphragm



A poster is also available to highlight the importance of using original sprayers and parts to the end-user: ref 584 166

PACKAGING

The complete CP packaging range has been revised with the aim of giving better product visibility and readability. While remaining consistent with the CP brand image, the new boxes focus more on technical information and end-user benefits in order to emphasize our differences from our competitors.

Front face



Product enhanced

Focused on the authenticity and history of the brand + nozzle description

Back face



Draws attention to the CP complementary range of accessories, with picture illustration

Detailed technical view

For improved security, all cardboard boxes are now strapped



SALES TOOLS

Cooper Pegler provides educational tools to assist end users with their product choice and to maintain their sprayer in good working condition.



SPARE PARTS POSTER:

perfect for recognizing which spare needs replacing, check its location in the sprayer composition and order it using the correct reference number.

The poster dimensions (48 x 68 cm) are convenient for an easy identification of any spare part, either by reference number or picture.

Available for:

CP 18, CP 15 / CP 3, CP 15 / CP 3 serie 2000, Mistblower

See pages 27, 28/29, 30/31 and 32/33.

CP SERVICE CASE :

for fast and efficient repairs.

For each sprayer (CP 15, Classic and 2000 series), the service case includes all CP consumables, such as seals, nozzles and all the small parts that can be lost (balls, screws...). Enough to make 150 repairs.



WEBSITE : www.cooper-pegler.com

1. Open access

To help the end-user choose prior to purchase



Product flyers : Product and accessories presentation



Documents : Pdf catalogue, videos ...



User advice

2. A reserved access for customers (log in + password)

Sales tools and answers to technical questions (maintenance and repairing)



Sales tools presentation



Spare parts catalogue



Problem solving



Spare parts breakdowns

CP 1,5



FOR EVERYDAY PROFESSIONAL USE

Handhelds are lightweight, small and primarily designed for spot treatment as professional and durable complementary sprayers.

They come in just as handy for indoor and outdoor plant treatment as for household chores (cleaning, dousing pets with insecticides...)

TOTAL CAPACITY 2 L / USER CAPACITY 1.5 L

Using a compact hand pump to build up air pressure within the bottle to force the liquid out as a continuous stream as long as the trigger button is held down



	CP 1,5
Reference	846248
Tank litres	2 L
Filling limit	1,5 L
Material	Polypropylene
Dimensions HxW (mm)	300 x 142
Weight (Kg)	0,455
PCB	6



SIMPLICITY AND ACCURACY

Designed to meet the needs of both the home gardener and the horticulturalist requiring professional results, the CP compression sprayers offer you performance and comfort.

Their new robust and ergonomic shape allows the sprayer to be emptied completely (no retention zone) and ensures both efficient pumping (only 20 pump strokes to achieve working pressure) and ease of use.

Its safety valve releases at 3 bars -with only 0.2 bar loss - ideal for all insecticide and fungicide applications.

AVAILABLE IN TWO SIZES: 5 AND 8 LITRES SPRAYING CAPACITY



VERSATILE (FOR GARDENS AND DIY) WITH VITON ULTRA HIGH RESISTANCE SEALS



Wide opening for easy filling emptying and cleaning

Nozzle on multi-nozzle adapter

Nozzles included:
Yellow hollow cone and green anvil



Safety valve with maximum pressure at 3 bar – manual sprayer decompression for secure opening

Comfortable carrying handle

Lance locking facility

High resistance GRP (Glassfibre Reinforced Plastic) lance

Transparent tank with moulded indicator for accuracy

Professional trigger system with integrated filter

Adjustable, non-absorbent shoulder strap

Reinforced hose for greater pressure resistance

Wide base/high stability tank

Internal gauges



	CP 5	CP 8
Reference	846249	846250
Tank litres	7,2 L	11,2 L
Filling limit	5 L	8 L
Material	Polypropilene	
Dimensions HxW (mm)	380 x 200	550 x 200
Weight (Kg)	1,55	2,28
Lance length	370 mm	500 mm
Hose length	1000 mm	

DIAPHRAGM TECHNOLOGY



Durable, accurate and simply more efficient

Diaphragm pumps have been used for decades, proving to be the most durable, robust and accurate: they are well suited for intensive applications even under very harsh conditions.

Diaphragm technology available on these sprayers:

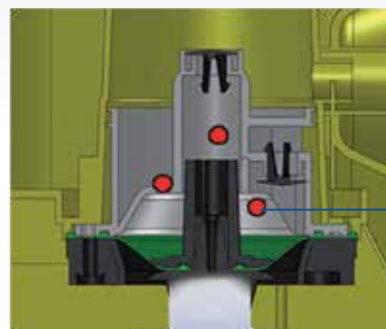
CP EVOLUTION AND CP CLASSIC

With no direct friction between the diaphragm and the surfaces, pumping is made **easier and more comfortable** compared to a piston pump. Its volume per stroke is also higher. Therefore the CP diaphragm sprayers require no service maintenance nor lubrication other than routine cleaning, resulting in a **long-life product**.

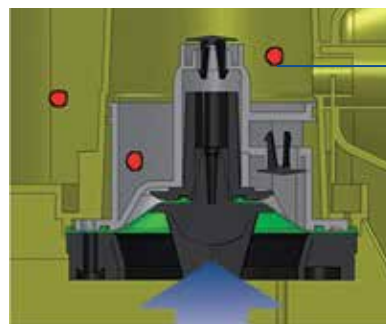
Wear resistant: the unique pump tolerates abrasive particles, like wettable powders and dirty water with no risk of damaging the sprayer.



Thanks to its combined thickness and flexibility (specific technical plastic material: technopolymer), the CP diaphragm is highly hermetic and resistant, ensuring long-life and performance from the sprayer.



Suction stroke



Pressure stroke

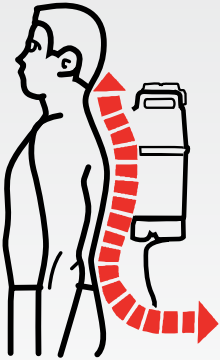
Impurities

The diaphragm pump system generates pressure through the deformation of the very flexible diaphragm.



to avoid overdosing, the relief valve limits the pressure to the maximum level (either on the low setting – for herbicides – or on high – for insecticides and fungicides) and simply sends the excess liquid back to the tank. It limits unnecessary effort and protects the sprayer.

Safety : the spray tank is not pressurized and spraying is controlled from the trigger valve.



A revolutionary system with shoulder straps and waist belt for maximum comfort

looks after the user's back to work better and longer

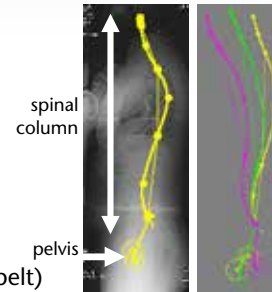
SAFETY HARNESS available on these sprayers :
CP 15 EVOLUTION AND CP 3 EVOLUTION



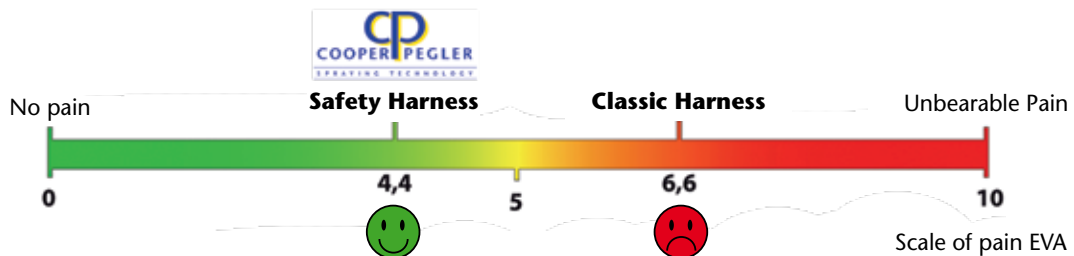
REDUCTION OF NEGATIVE IMPACTS ON THE SPINAL COLUMN AND THE PELVIS

Measurements of the difference between the classic carrying system and an ergonomic carrying system on the subject's back

- █ X-ray at rest
- █ X-ray after 20 minutes with sprayer + classic carrying system (thin shoulder straps)
- █ X-ray after 20 minutes with sprayer + ergonomic carrying system (shoulder straps + waist belt)



SIGNIFICANT REDUCTION IN ARDUOUSNESS CAUSED BY THE SPRAYER



AN OPTIMIZED DESIGN FOR THE SAFETY HARNESS

Adjustable straps with reinforced foam and tensioners

Adjusts to the user's morphology
Protects the user's shoulders

Chest strap

Ensures sprayer stability
Alleviates lateral tension

Adjustable waist strap

Sprayer weight distribution :
70% on the hips / 30% on the shoulders. Ensures sprayer stability

Reinforced back support

No direct contact with the tank for improved comfort



CP 15 EVOLUTION

THIS ITEM HAS EVOLVED TO MAKE IT MORE CONVENIENT TO CARRY

For more than 20 years the CP15 has been the favourite sprayer for users in agriculture, horticulture and parks and gardens all over the world, thanks to its unbeatable durability, toughness and spray quality.

The CP15 Evolution can now be equipped with a revolutionary new ergonomic carrying system with ultra-comfortable shoulder straps and waist belt to work better and longer. It is also fitted with two handles on the tank to for easy handling.

Its unique membrane pump system ensures a long life for the equipment and maximum convenience in spraying thanks to its flexible pumping.



AVAILABLE IN 15 L

Carrying handle



Pressure control valve with fixed settings for spraying herbicides/ insecticides and fungicides

Unique diaphragm pump, very resistant

Adjustable re-inforced lever for left / right hand operation

UV stabilised polypropylene tank for a durable yet lightweight sprayer

All working parts mounted inside the tank to prevent damage

Standard harness
Support + carrying handle



Safety Harness
Adjustable waist strap and reinforced back. Significant reduction in discomfort



Nozzles included:
Yellow hollow cone and green anvil



Nozzle on multi-nozzle adapter

Wide filler hole to prevent overflow when filling

Low mesh strainer to filter out dirt. Supplementary filter in trigger

High resistance GRP (Glassfibre Reinforced Plastic) lance and trigger

High resistance glassfibre reinforced plastic trigger with filter

Reinforced hose for greater pressure resistance



	CP 15 EVOLUTION Standard Harness	CP 15 EVOLUTION CONFORT Safety Harness
Reference by full container	848150	848152
Reference by unit	848257	848258
Tank litres	15 L	
Material	Polypropylene	
Filler neck	140 mm	
Max working pressure	3 bar (45 psi)	
Total weight	3,95 kg	4,25 kg
Harness material	Polyethylene pads with polyester	Polyethylene pads with polyester fibre braiding + reinforced foam
Lance length	500 mm	
Hose length	1360 mm	

CP 3 EVOLUTION

STANDARD OR SAFETY HARNESS

Ideal complement to the CP15 Evolution, the new 20 litre capacity CP 3 provides greater work autonomy.

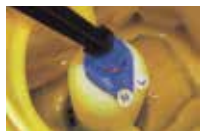
Its unique diaphragm pump system ensures the longevity of the sprayer as well as an adequate and precise protection for your crops.

Its built-in pressure relief valve guarantees precision on the type of application desired.



AVAILABLE IN 20 L

Lid with separate seal and air vent for secure locking



Pressure control valve with fixed settings for spraying herbicides / insecticides and fungicides

High resistance GRP (Glassfibre Reinforced Plastic) lance

Few moving parts of which none are exposed to friction, thus ensuring resistance to dirt in the spray liquid and a very low maintenance level.

Nozzle on multi-nozzle adapter

Nozzles included: Yellow hollow cone and green anvil

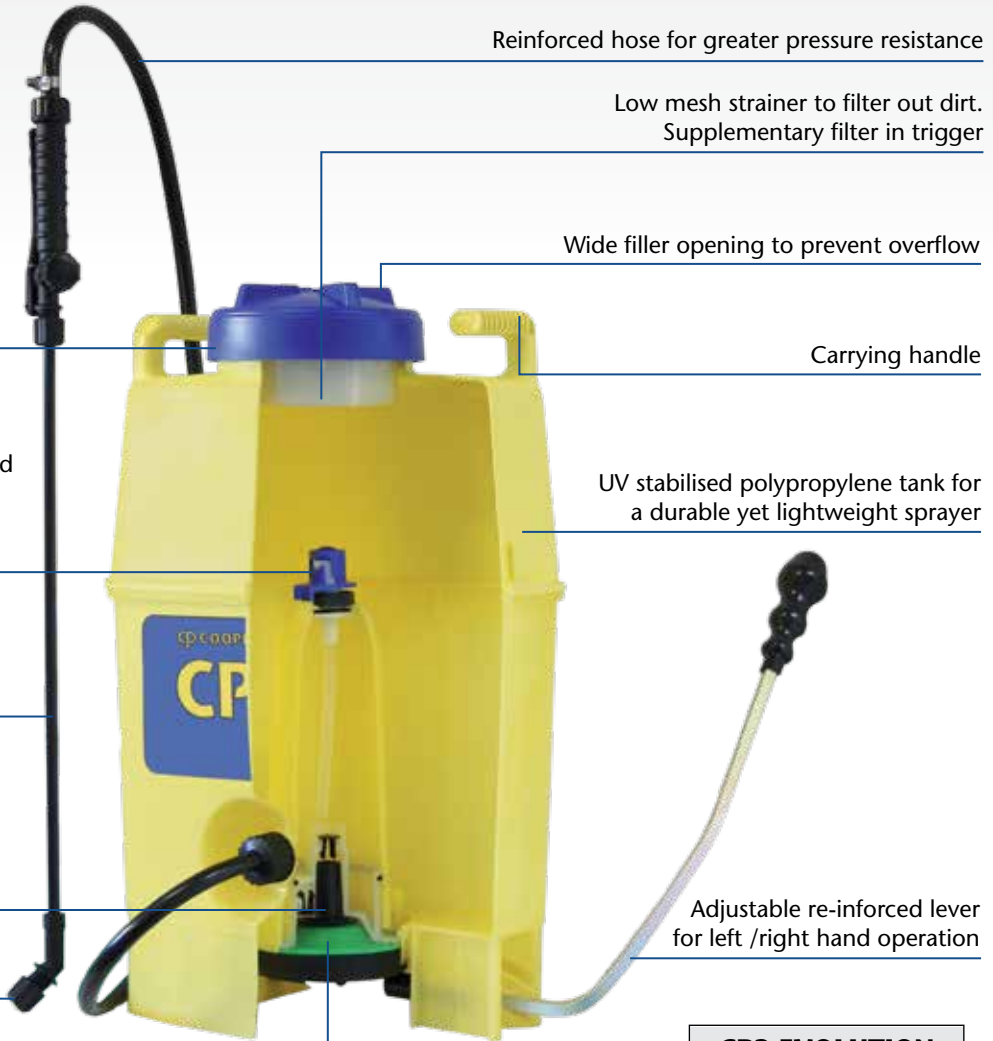


Unique diaphragm pump very resistant towards water impurities

Standard harness
Support + carrying handle



Safety Harness
Adjustable waist strap and reinforced back. Significant reduction in discomfort



Reinforced hose for greater pressure resistance

Low mesh strainer to filter out dirt. Supplementary filter in trigger

Wide filler opening to prevent overflow

Carrying handle

UV stabilised polypropylene tank for a durable yet lightweight sprayer

Adjustable re-inforced lever for left /right hand operation

	CP3 EVOLUTION Safety harness
Reference by full container	848252
Reference by unit	848255
Tank litres	20 L
Material	Polypropylene
Filler neck	140 mm
Max working pressure	3 bar (45 psi)
Total weight	4,75 kg
Harness material	Polyethylene pads with polyester fibre braiding + reinforced foam
Lance length	500 mm
Hose length	1360 mm

CP CLASSIC



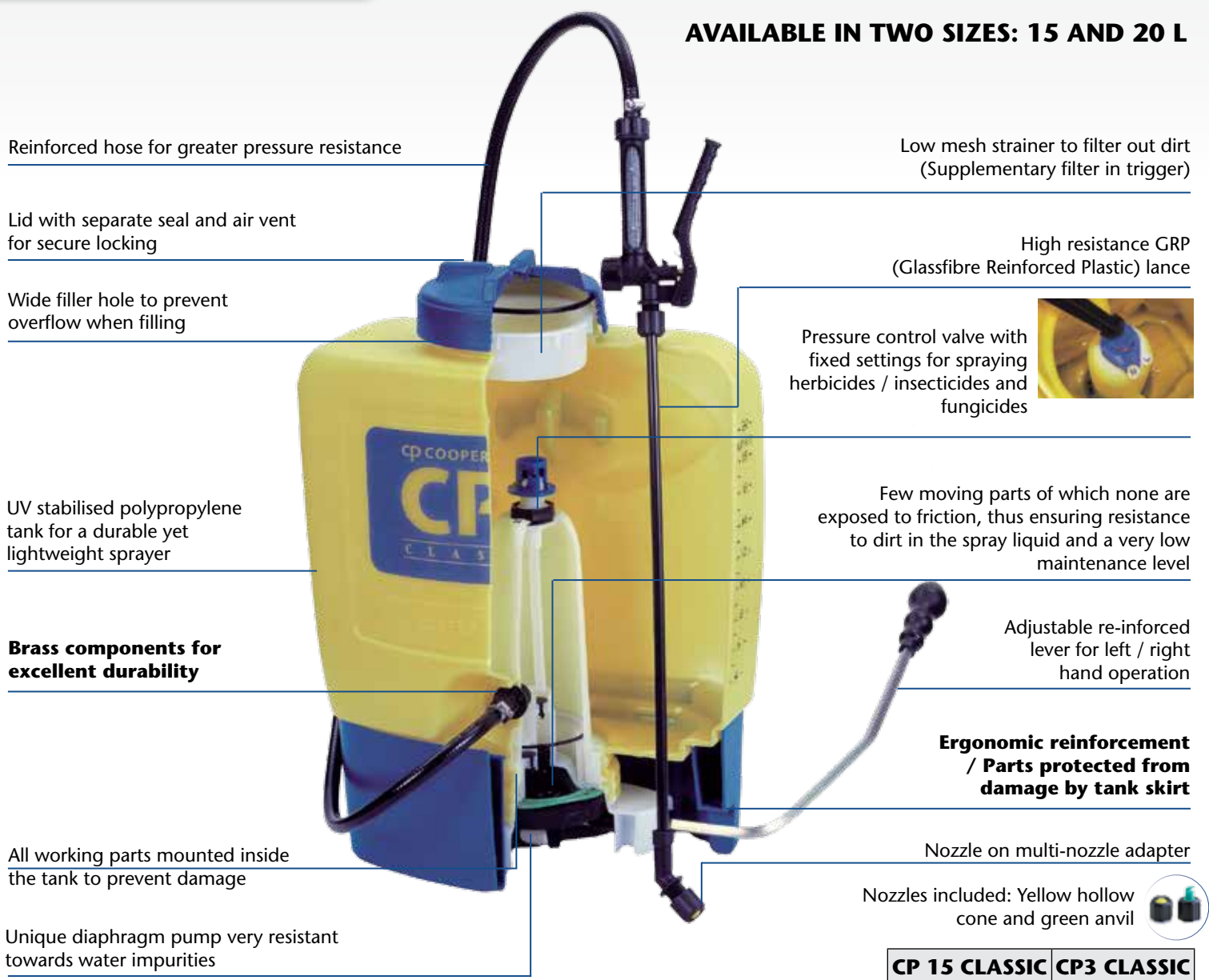
ROBUST AND ERGONOMIC

For more than 3 decades the CP Classic range has been the preferred choice by agricultural, horticultural and amenity users world-wide, as the most durable, robust and accurate agro-chemical applicator.

Its unique diaphragm pump system and integrated pressure control system ensure many years of tranquility and adequate and accurate protection of your crops.

Its ergonomic conception gives greater comfort when performing intensive tasks.

AVAILABLE IN TWO SIZES: 15 AND 20 L



Measuring jug included



* depending on model

Straps with support and carrying handle



	CP 15 CLASSIC	CP3 CLASSIC
Reference	846255	846320
Tank litres	15 L	20 L
Material	Polypropylene	
Filler neck	140 mm	
Max working pressure	3 bar (45 psi)	
Total weight	4,75 kg	5 kg
Harness material	Polyethylene pads with polyester fibre braiding	
Lance length	500 mm	
Hose length	1360 mm	



ERGONOMIC AND EFFICIENT

With its unique ergonomic design and build to meet international standards, the 2000 series is the most comfortable, safe and capable piston pump knapsack sprayer (wide pressure range)

The non-corrosive polypropylene tank, with no openings below the liquid level, substantially reduces any chance of user contamination. The sprayer is comprised of few parts and can be quickly dismantled for cleaning and maintenance without the use of tools.

Spraying is controlled from the trigger valve.

AVAILABLE IN TWO SIZES: 15 AND 20 L

Reinforced hose for greater pressure resistance

Exceptionally strong lance made from composite material for extended life

Lance holder for tidy storage

Carry grip for easy handling



Nozzle on multi-nozzle adapter (with a pressure regulator)

Nozzles included: Yellow hollow cone and green anvil



Parts protected from damage by tank skirt

Easily adjustable shoulder harness with comfortable non absorbent shoulder pads
Belt with snap buckle to prevent lateral movement



Double filter system: high capacity strainer in the lid and fine mesh filter within the trigger assembly to prevent blockages

Wide (14 cm), angled, side opening for quick filling and complete emptying
Cap incorporates one way vent valve to prevent spillage

Transparent, lightweight tank contoured to your back

Piston pump for wide pressure range and very easy to clean and service

Ergonomic, non-slip grip handle
Storage compartment for nozzles



Reversible left / right pump lever, easy to adjust

	CP 15 2000	CP3 2000
Reference	846341	846361
Tank litres	15 L	20 L
Material	Polypropylene	
Filler neck	140 mm	
Max working pressure	3 bar (45 psi)	
Total weight	4.75 kg	5 kg
Harness material	Polyethylene pads with polyester fibre braiding	
Lance length	500 mm	
Hose length	1140 mm	

CP 18

COMFORT AT THE SERVICE OF PERFORMANCE

The flagship product in the piston pump range, the CP 18 combines quality spraying, a high-performance pump and reliability.

Its unique design with an angled bottom in the tank and a built-in product mixer enables you to make the most of your treatments while assuring a long life for the sprayer thanks to stainless steel bearings and Viton seals in the pump.

The 18-litre tank designed to hug your back and the foam shoulder straps ensure maximum comfort in use.



High resistance glassfibre reinforced plastic trigger with filter

Reinforced hose

Adjustable re-inforced lever for left / right hand operation

Carrying handle

Product mixer integrated into the pump to homogenize the mixture

Sloping tank base prevents residual liquid at the end of the treatment



Large volume anti-splash filter for quick filling (Supplementary filter in trigger)

Large diameter filler opening

High resistance GRP (Glassfibre Reinforced Plastic) lance

UV stabilised polypropylene tank for a durable yet lightweight sprayer

Nozzle on multi-nozzle adapter

Nozzles included: Yellow hollow cone and green anvil



Straps with foam for more comfort

Tank well adjusted for the back

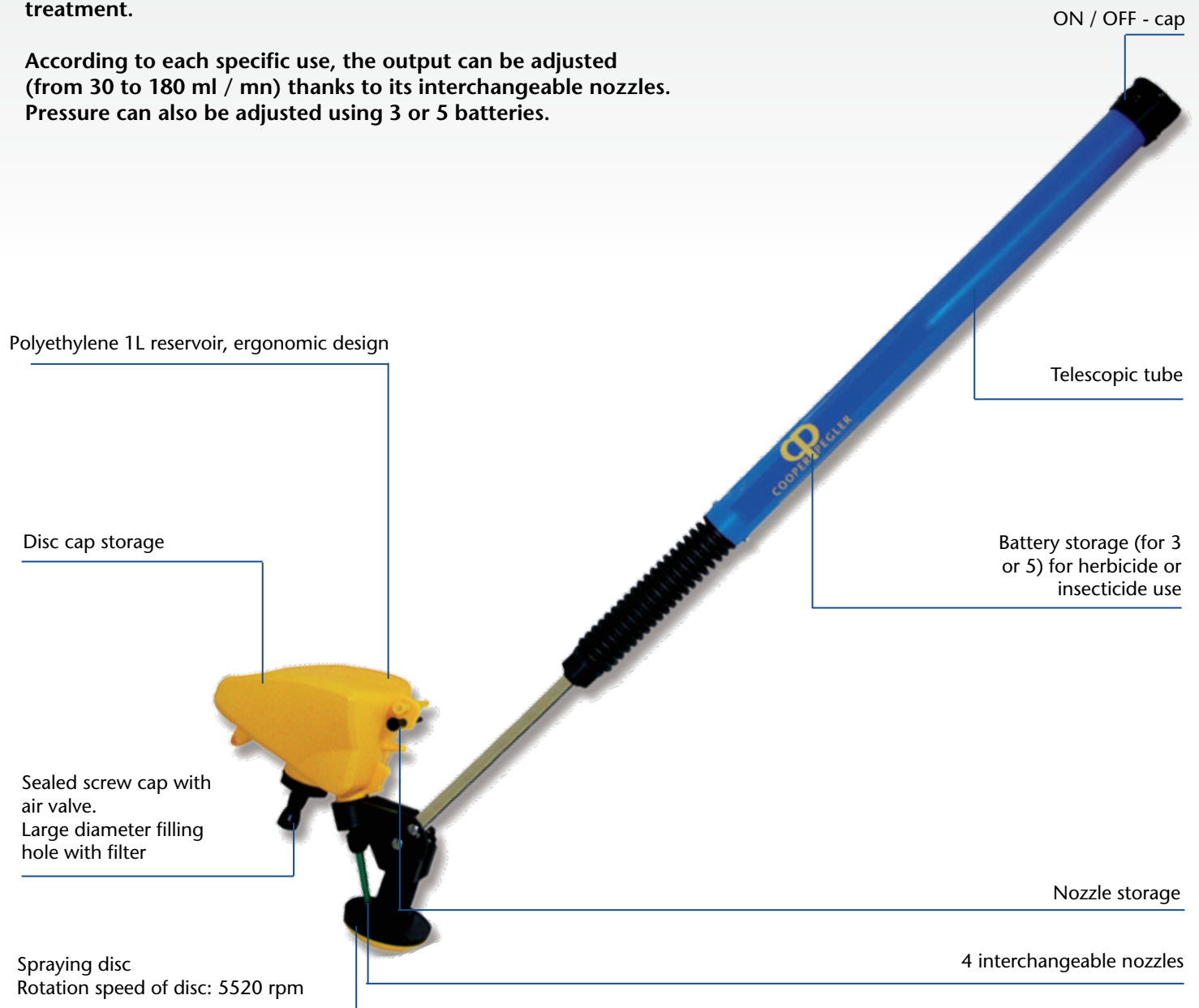
	CP18
Reference	848101
Tank litres	18 L
Material	Polypropylene
Filler neck	125 mm
Max working pressure	6 bar
Total weight	4,60 kg
Harness material	Straps reinforced foam
Lance length	500 mm
Hose length	1350 mm

FOR A CONSTANT AND HOMOGENOUS ATOMIZATION

The CP Ultra Low Volume Sprayer is ideal for all treatments requiring a low consumption of water and a large spraying spectrum.

It is convenient for all classic applications of insecticides / herbicides on crops (cotton) or for breeding activities for example animal vaccination or scabies treatment.

According to each specific use, the output can be adjusted (from 30 to 180 ml / mn) thanks to its interchangeable nozzles. Pressure can also be adjusted using 3 or 5 batteries.



NOZZLES

Coulours	Output in ml/min	Diameter of droplets
Violet	30	70/80 microns
Blue	75	70/100 microns
Yellow	110	70/130 microns
Green	85	200/250 microns

Motor part ref : 200880

CP ULV	Reference	848104
	Weight	1,066 kg
Autonomy	around 8 hours	
Electric sprayer head		
Powered by 5 x 1.5 V R 20 type batteries		
Accessories supplied: 4 nozzles and 1 graduated dosage cup Also available: knapsack reservoir resistant to chemical products (UV absorber)		

MISTBLOWER CP 16



ESSENTIAL FOR ALL INTENSIVE TREATMENT AT HEIGHTS OR OVER LARGE AREAS

The mistblower is the essential tool for all professionals who wish to carry out with maximum efficiency

- plant protection treatment for a variety of crops (market garden crops, orchards, forests, vineyards), all sorts of plantations (citrus fruits, bananas, pineapples, cocoa, coffee, tea, cotton)
- the disinfection of buildings (stables, cowsheds, storage areas etc.), boats, containers, railway trucks etc.

Translucent reservoir with graduated gauge, capacity 16 L.
Large diameter filling hole: 160 mm with filter

Robust side handles for easy handling

Particularly comfortable to carry: padded back support, easily-adjustable wide carrying straps
Centre of gravity of the apparatus close to that of the user

Ergonomic control handle including all functions (stop/start, accelerator)

Adjustable-length lance tube
Adaptable extensions and elbows
Exit angled to 90° for easier handling and storage

Reinforced frame with large ground support to easily stabilize the atomizer

Fuel reservoir capacity : 4.2 L

Spray nozzles (for liquid products) with 6-position system adjuster for 6 different output values



Two-stroke single cylinder motor - 80 CC - 5 CV

Reference	848102
Fuel	unleaded petrol + 4% oil
Sound level at 15 m	68 dB
Water output regulator	to 1,2 at 2,3L / min
Autonomy with full fuel tank	90 min
Tank stopping time	7,40 min
Maximum horizontal range (liquids)	15 m
Maximum air speed	130 m/s
Maximum air volume	1044 m ³ / h

Standard equipment: delivered with technical manual, spark-plug wrench and screwdriver

ROBUST AND EFFICIENT

Ideal for professional use (building, decontamination, DIY...), this stainless steel sprayer is resistant to aggressive chemicals thanks to its Viton seals and its brass lance. Its specific material allows a maximum pressure of 6 bar.

TOTAL CAPACITY: 13,5 L / USER CAPACITY: 10 L



High quality pump with brass body and ergonomic pumping handle

Safety valve

Integrated pressure gauge with green and red zones indicating the recommended pressure level from 1.5 to 6 bar

Seal storage compartment (spare seals included)

Stainless steel tank

Back or lateral transport, comfortable straps

Lance support for easy storage

Base protector



TO BE ORDERED WITH SPRAYER :

Ref. 730037 Reinforced hose
+ brass trigger
+ brass 40 cm lance with adjustable hollow cone nozzle

	CP INOX 10 L
Reference	285344 *
Filling limit	10,0 L
Total capacity	13,5 L
Service pressure	6 bar
Weight when empty	5 kg

* Available until out of stock

ACCESSORIES



Essential for spraying, accessories give greater precision, comfort and efficiency. Compatible with all the products within the Cooper Pegler range, they can also be used to repair or maintain your equipment and prolong its lifespan.

A WIDE CHOICE OF ACCESSORIES IS AVAILABLE WITHIN THE CP RANGE FOR :

- High treatment : lances and telescopic lances
- Weeding : spray shields, regulator
- Good speed and performance : nozzles and calibration
- Wide treatment : booms
- Maintenance : spares kits

SALES POTENTIAL : 20% TO 30% OF SPRAYING SALES

=

ADDITIONAL SALES TURNOVER

+

SOURCE OF CUSTOMER LOYALTY

MAIN ACCESSORIES: COMPACT AND ATTRACTIVE !

We provide CP customers with presentation tools showing the main accessories :

- Capacity : 12 hooks x 6 accessories deep = 72 accessories
- Displayed with a brand banner board
- To be completed with accessories matching your selection : CP 15 + Classic / CP Classic + 2000

Accessory display - Ref. 583637

Dual colour printed banner board

Kits, nozzles...

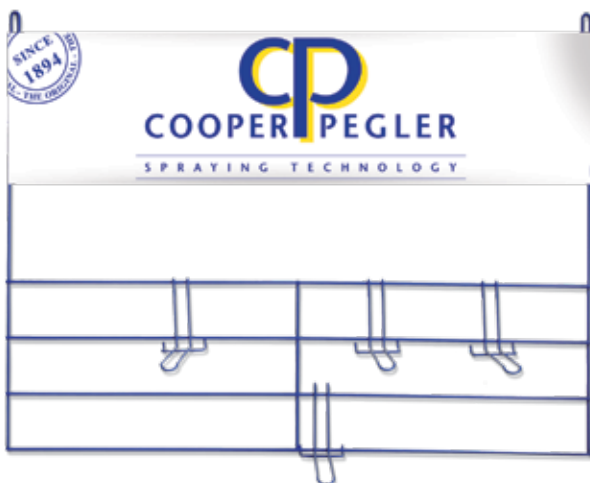
2 rows of 6 hooks

Lances and booms

Ref. 001CPFRONT14

Dimensions : 120 x 26 cm

Fastenings not included, to be fixed to a perforated display or directly to the wall



NOZZLES

CONTROLS AND GUARANTEES THE RIGHT PRODUCT APPLICATION MAKING THE NOZZLE A KEY-PART OF ANY SPRAYER

WHICH NOZZLE TO CHOOSE ?

A nozzle for every spray job: select the right nozzle to optimize product application and limit the effects of possible drift. Cooper Pegler offers an extensive range of nozzles:

- anvil or flat fan nozzles for herbicides, for applications around 1 bar pressure
- hollow cone for insecticide and fungicide applications, ideally around 3 bar pressure



Hollow cone nozzle



Flat fan nozzle



Anvil nozzle

For each type of nozzle, you will find different opening sizes and angles in order to choose the right output for the recommended rate. These factors influence your **speed of coverage** over the field and your **ability to spray "on time"**; critical issues that will affect the quality of your application and the dose you may have to use.

$$\frac{\text{Flow rate (l/min)} \times 10,000}{\text{Size of treatment area (m)} \times \text{speed (m/min)}} = \text{Volume rate (l/ha)}$$

WHY CALIBRATE?

Calibration consists of defining and checking through a test - on a representative sample surface - that spraying conditions (nozzle height, walking speed) are observed, in order to be more precise and efficient.

Deviation from ideal conditions can result in significant performance differences, and increased product use:

	Deviation	Flow rate
Calibration set at		200 l/ha
Lance 10 cm too low	25%	250 l/ha
Walking speed too slow	20%	300 l/ha
Nozzle worn	20%	360 l/ha
Pressure at 2 bar	10%	396 l/ha
Total		396 l/ha

x 2

To avoid pressure variations, we recommend the use of a control valve or regulator: integrated in the SERIES 2000, or available as an accessory (see pg 19)

HOW TO CALIBRATE?

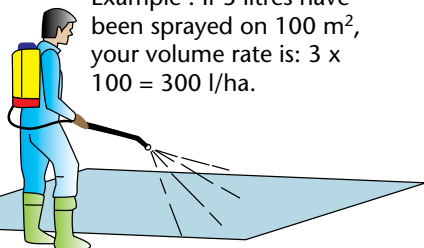
We recommend calibrating your spraying speed at least once a year.

- 1 - Check that the sprayer operates correctly and safely and the nozzle height to get the required treatment size.
- 2 - Define a surface area test similar to the nozzle coverage.
- 3 - Fill your sprayer with water and spray according to the required conditions (nozzle height and walking speed) on a defined area, for example 100 m².
- 4 - To calculate the volume rate (l/ha), multiply the sprayed quantity (missing from the tank) by 100.

Example : If 3 litres have been sprayed on 100 m², your volume rate is: 3 x 100 = 300 l/ha.

100 m² = Length x Width

(m)	(m)
0.5	200
0.7	143
1.0	100
1.2	83
1.5	67



For a quick and reliable reading of the quantity sprayed on the test, use the KALIBOTTLE to calibrate your sprayer. (see calibration table)

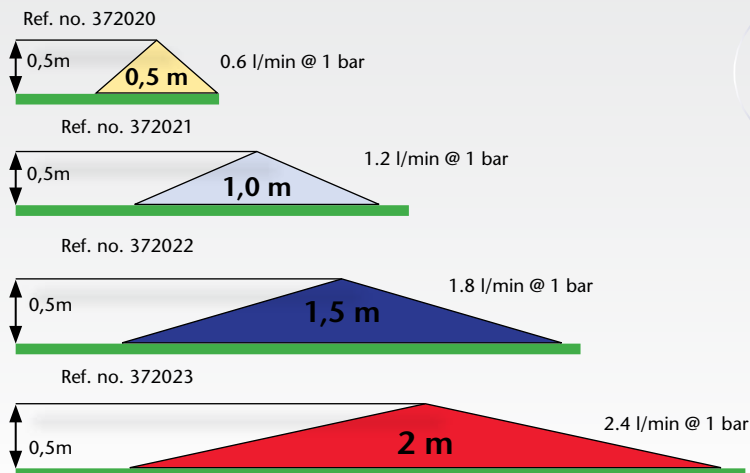


Ref 390638

L/ha	L/100 m ²	L/1000 sq ft	US gal / 1000 sq ft	Kalibottle L	Tank capacity / coverage in m ²			
					20 L	15 L	8 L	5 L
350	3.50	3.25	0.86	0.88	571	429	229	143
325	3.25	3.02	0.80	0.81	615	462	246	154
300	3.00	2.79	0.74	0.75	667	500	267	167
275	2.75	2.55	0.67	0.69	727	545	291	182
250	2.50	2.32	0.61	0.63	800	600	320	200
225	2.25	2.09	0.55	0.56	889	667	356	222
200	2.00	1.86	0.49	0.50	1000	750	400	250
175	1.75	1.63	0.43	0.44	1143	857	457	286
150	1.50	1.39	0.37	0.38	1333	1000	533	333
125	1.25	1.16	0.31	0.31	1600	1200	640	400
100	1.00	0.93	0.25	0.25	2000	1500	800	500
75	0.75	0.70	0.18	0.19	2667	2000	1067	667
50	0.50	0.46	0.12	0.13	4000	3000	1600	1000

NOZZLES

CHOOSING THE RIGHT NOZZLE ENSURES THE RIGHT COVERAGE AND FLOWRATE. EXAMPLES OF WIDTH AND VOLUME TREATMENT RATE USING ANVIL NOZZLES



BV 30 NOZZLE

Ref : 455688
Angle : 130°

With a low volume rate (30 L/h), it enables an optimal absorption and fixation of active substances and reduces the dose : the fine droplets ensure a very good coverage.

- Phytosanitary product saving (from - 30 to 50% depending on the crop)
- Reducing water consumption: better autonomy and reduced downtime.

Made of brass, it has a high chemical and mechanical resistance

CONDITIONS :

SPEED: 1 M/S NOZZLE HEIGHT: 50 CM

Colour Réf.	Output L/min.	Width cm	Volume L / ha	Time for 15 L min: sec
Anvil nozzles (for herbicide at 1 bar)				
Orange 371847	0,24	110	35	62 : 30
Green 371848	0,40	144	50	37 : 30
Blue 371850	0,68	160	70	22 : 03
Deflector VLV nozzles (for herbicide, very low volume)				
Yellow 372020	0,6	50	200	25 : 00
Green 372021	1,2	100	200	12 : 30
Blue 372022	1,8	150	200	8 : 20
Red 372023	2,4	200	200	6 : 15
Hollow cone nozzle (for insecticide and fungicide treatments at 1 bar)				
Yellow 371694	0,8	95	140	18 : 45
Red 371682	1,4	120	195	10 : 42
Brown 371695	1,8	130	230	8 : 20
Grey 371696	2,4	140	290	6 : 15
Flat fan 80° (3 bar)				
Yellow* 371857	0,8	80	167	18 : 45
Blue* 371858	1,2	80	250	12 : 30
Red 371859	1,6	80	333	6 : 15
Flat fan tapered 110° (1 bar)				
371706	0,4	140	133	18 : 45
371708	0,8	140	267	18 : 45
371709	1,2	140	400	12 : 30
371710	1,6	140	533	6 : 15

Adjustable nozzle: to vary from a straight jet to a mist spray through changing the angle and treatment area Réf. 371864	Bar	Mist jet output l/min	Straight jet output l/min	Angle
	1,5	0,69	1,25	80°
	2,0	0,71	1,40	85°
	3,0	0,88	1,65	90°
	4,0	0,95	1,85	90°
	5,0	1,10	2,18	95°



Anvil nozzles



Hollow cone nozzle



Flat Fan



Adjustable nozzle

Check the flowrate of each nozzle each year: it must be homogenous. If it differs by more than 10 % from the theoretical flowrate at a precise pressure level, the nozzle has to be changed.

* Available until out of stock

LANCES

FOR HIGH TREATMENTS
AVAILABLE FROM 0.5 M TO 2.0 M

TELESCOPIC LANCES :

More compact extensions for distant targets, they can be adjusted to the desired length for a perfect application.

Telescopic lance
 1.0 - 2.0 m
 Ref. 750702

Telescopic lance
 0.75 - 1.5 m
 Ref. 750701

Telescopic lance
 0.5 - 1.0 m
 Ref. 750700

1.0 → 2.0 m

0.75 → 1.5 m

0.5 → 1.0 m



LANCES AND EXTENSIONS :

extension of the hand and arm, ideal for remote targets such as tall fruit trees.

Lance 2 m
 Ref. 730442

Lance 1 m
 Ref. 730441

Lance 0.5 m
 Ref. 72032900

Lance 0.37 m *
 Ref. 72033100

Extension 1 m
 Ref. 730440

Extension 0.5 m *
 Ref. 730439

Nozzles not included

* Available until out of stock

SPRAY SHIELDS AND PRESSURE CONTROL



SPRAYERS ARE MOSTLY USED FOR WEED KILLING.

To optimise herbicide applications, 2 critical factors must be met:

- localisation of the zone to avoid product migration onto the neighbouring plants
- adequate droplet size to reach the plants to be destroyed, thanks to a continuous pressure of around 1 bar.

SPRAY SHIELDS: PROTECTING PLANTS

To spray a localised zone and avoid spray drift, two types are available:

- a compact round shield (18 cm diameter) to select a localised zone, next to plants and flowers
- a wide shield (38 cm) for spraying inter-row or along a path (vineyard, plantations...) safely and efficiently



Wide for composite lance with ISO F-03-110 blue flat fan nozzle - Ref. 741647



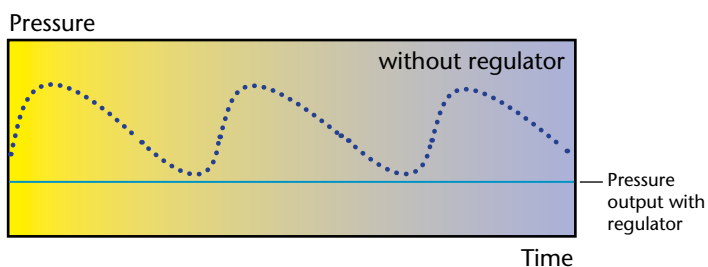
Round for composite lance with HC yellow hollow cone nozzle Ref. 741721

PRESSURE REGULATOR :

Guarantees a constant optimal pressure for weeding (at 1 bar) by activating the sprayer once the pressure has been achieved and limits the increase in pressure following extra effort on the lever.

An anti-drop system is also incorporated which instantly stops the flow of liquid when the pressure drops below the target value. Universal use, it adapts to all knapsack and compression sprayers (from 5L) within the Cooper Pegler range.

The essential accessory for applying the correct dose and thus achieving substantial product savings without effort.



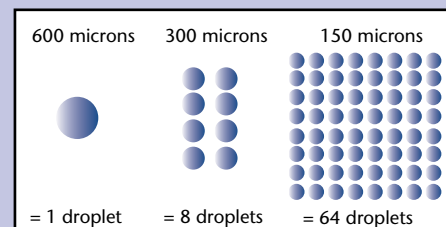
Pressure regulator 1 bar Ref. 755837

The droplet size is critical when choosing a nozzle as the efficiency of the phytosanitary product will depend on it.

To get a good coverage, there needs to be enough droplets to be effective, to reach their target and then settle there.

1 bar pressure gives optimum droplet size (between 200 and 300 microns) to limit drift and prevent runoff and thus reduce product waste.

Pressure stability also affects the distribution of the mixture onto the soil.



For droplets half the size, you get twice as many drops ... for the same amount of water

LANCES



The indispensable accessory for wide spraying

To pass from a mono-jet to a multi-jet spray, booms are designed to increase capacity and coverage width. They are particularly good for large surfaces and herbicide spraying

Lightweight booms ideal for spraying larger areas.
2, 3 and 4 nozzle booms equipped with ISO F-02-110 flat fan nozzles spaced to every 50 cm, ideal for double overlap.

Output per nozzle at 2 bar is 0.65 l/min
Nozzle angle: 110°



HOW TO GET A GOOD DISTRIBUTION FROM YOUR BOOM?

To ensure a perfect and homogeneous flow rate from the boom, we recommend working with double overlap : this will depend on the boom distance (height) from the target.



Composite 4 nozzle boom
Ref. 755605

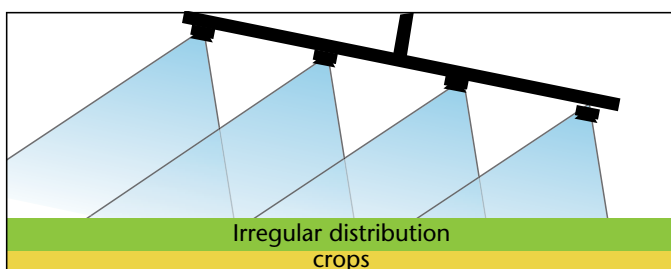


Composite 3 nozzle boom
Ref. 755603

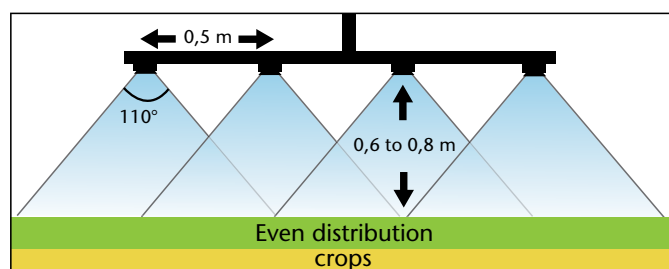


Composite 2 nozzle boom
Ref. 755604

Boom height wrongly adjusted



Boom height correctly adjusted



KITS

To maintain your sprayer in the long run a full range of CP pre-packed spare parts are available to ease reliable maintenance and reduce down time to a minimum.

Nozzles :



CP anvil nozzle pack
Ref. 750283

CP Nozzle pack:
Fan jet tapered 110°
(1 bar)
Ref. 750285

CP Nozzle pack:
Even spray
Ref. 750286

CP Nozzle pack:
Hollow cone
Ref. 750292

CP Nozzle: Cone/
Deflector/Even
Ref. 750305

CP Nozzle pack :
LV (REFLEX)
Ref. 750306

CP Nozzle pack :
Adjustable nozzle
Ref. 755821

CP Nozzle pack:
Double swivel nozzle
Ref. 755823

Kalibottle :



For a quick and reliable reading of the quantity sprayed on the calibration test, use the KALIBOTTLE to calibrate your sprayer.
(see calibration table p.19)
Ref. 390638

Maintenance kits :



CP Plast trigger
Ref. 755826



CP Lid/filter assy,
CP Classic, CP Evolution
Ref. 750401



CP Relief Valve
CP Classic, CP Evolution
Ref. 750402



Lower end pack
CP Classic, CP Evolution
Ref. 750403



CP Crank pack
CP Classic, CP Evolution
Ref. 750404



CP Service pack
CP Classic, CP Evolution
Ref. 750405



CP Service pack,
CP Maxi Pro
pre 2010
Ref. 755725



CP Service pack,
CP Maxi Pro
after 2010
Ref. 283746



CP Service pack
2000 series
Ref. 750308

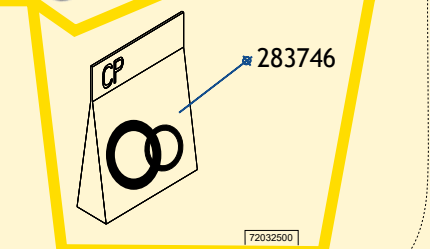
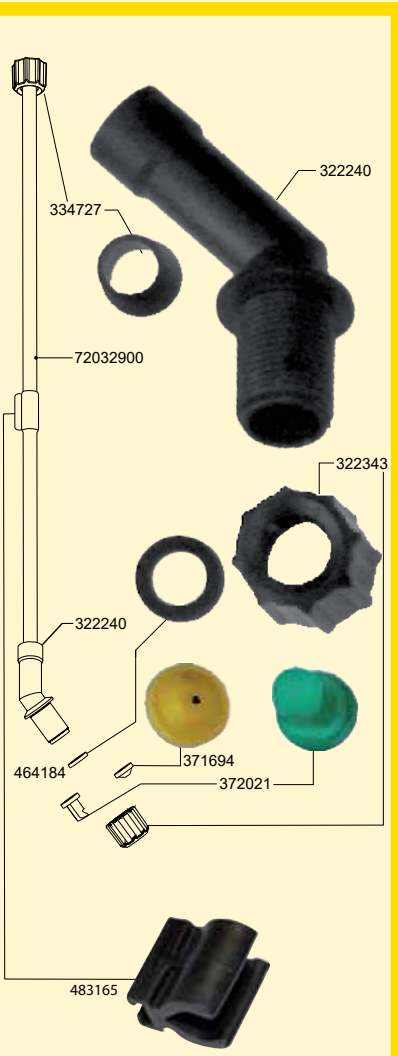
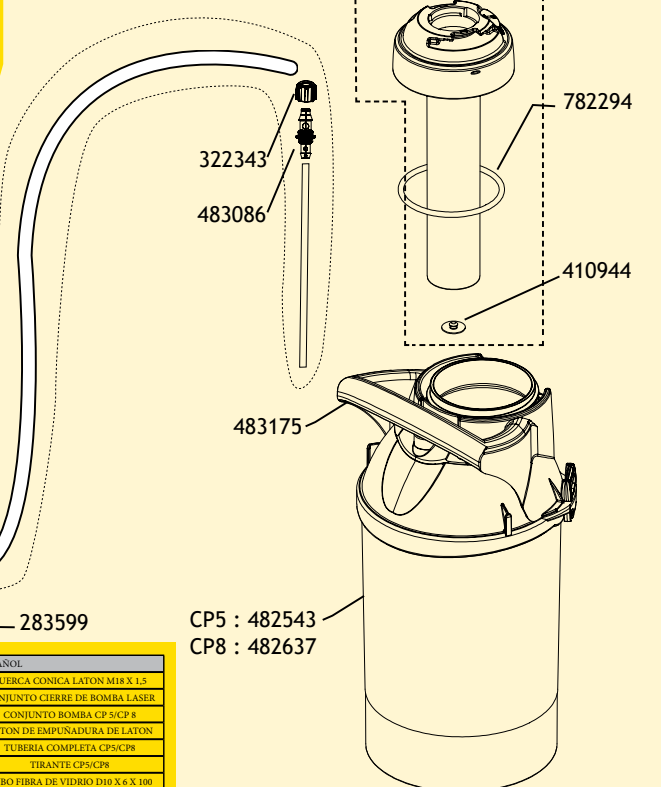
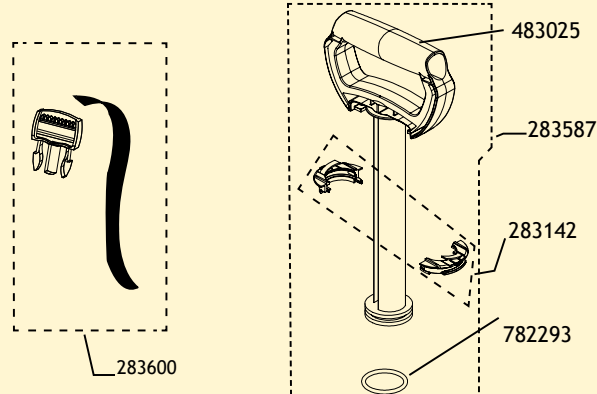
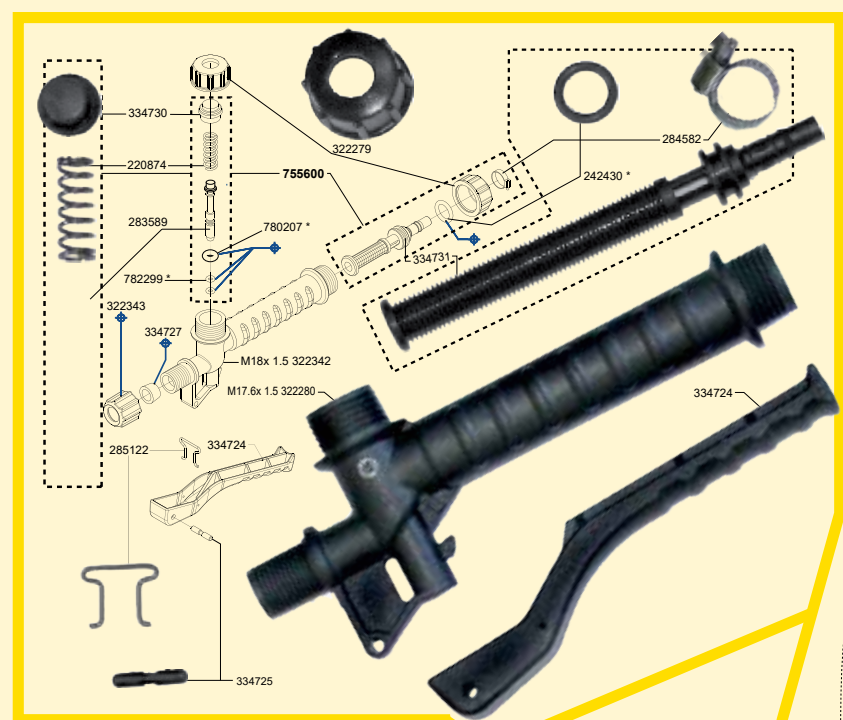


CP Hose for CP 2000
series, CP Evolution
Ref. 755601

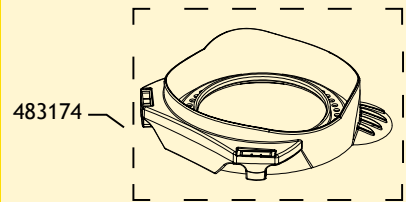


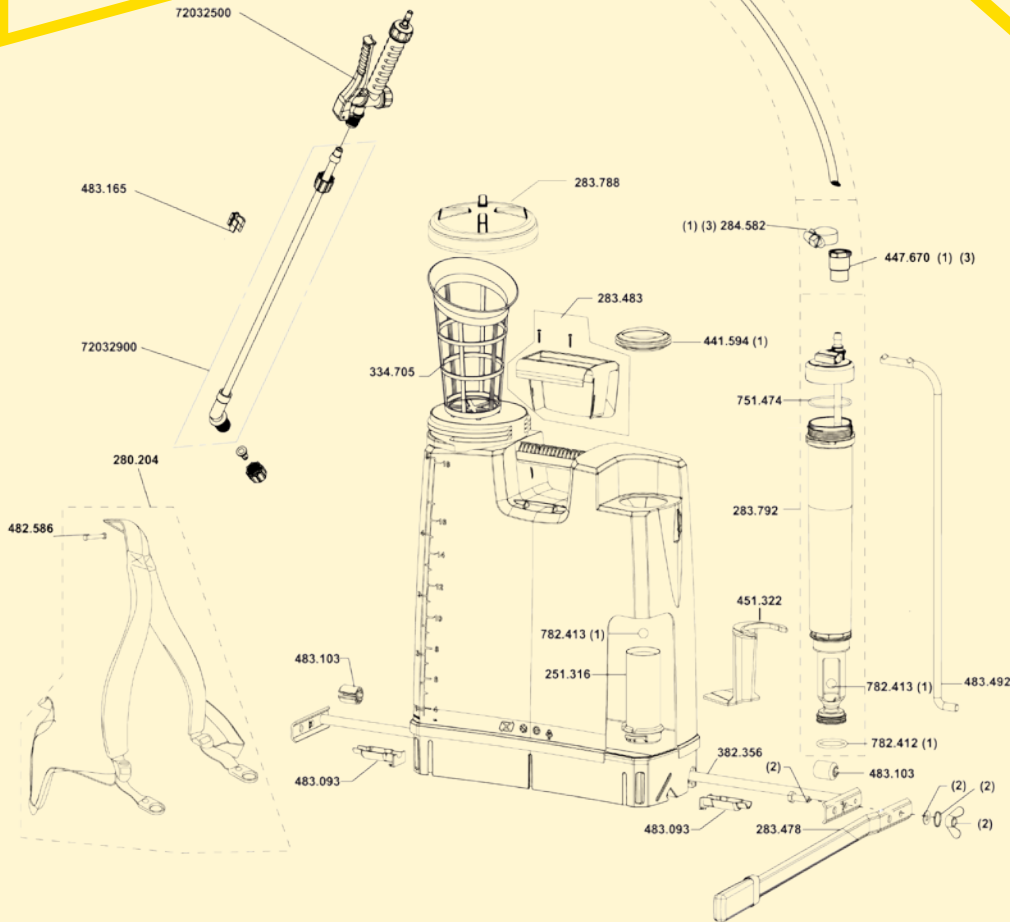
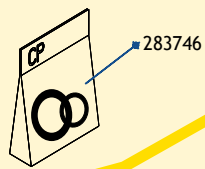
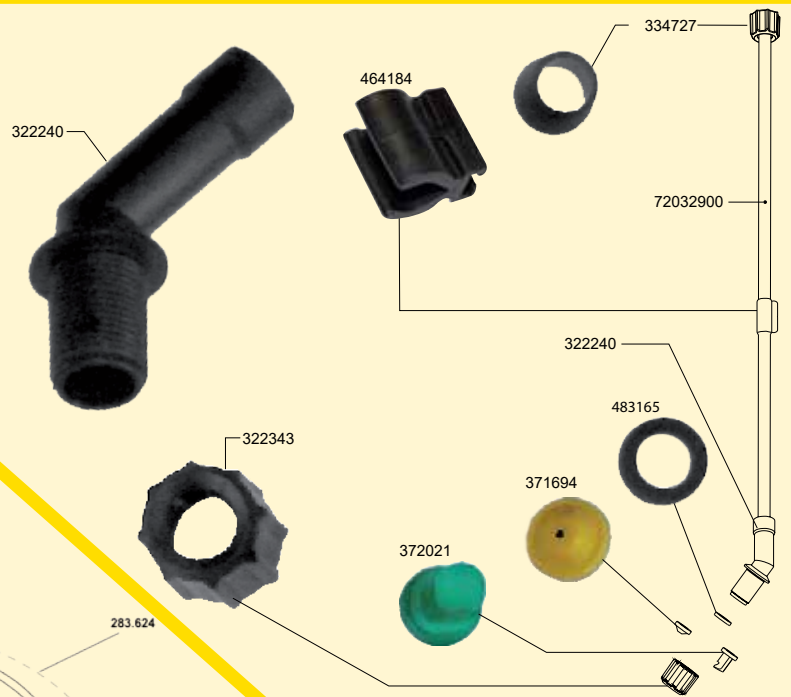
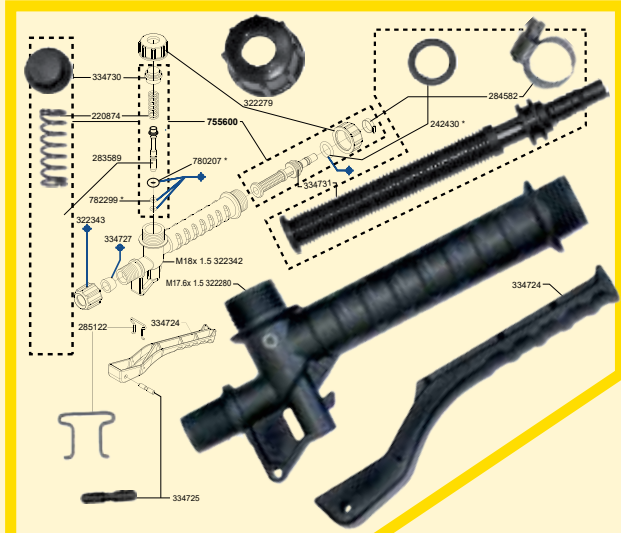
CP Hose for
CP classic
Ref. 755622

CP5 & CP8

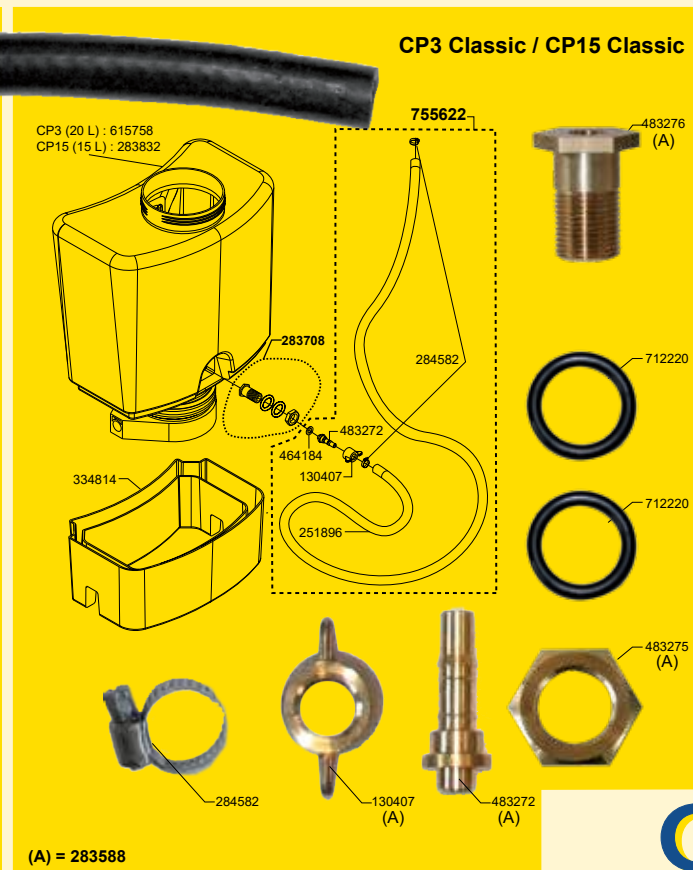
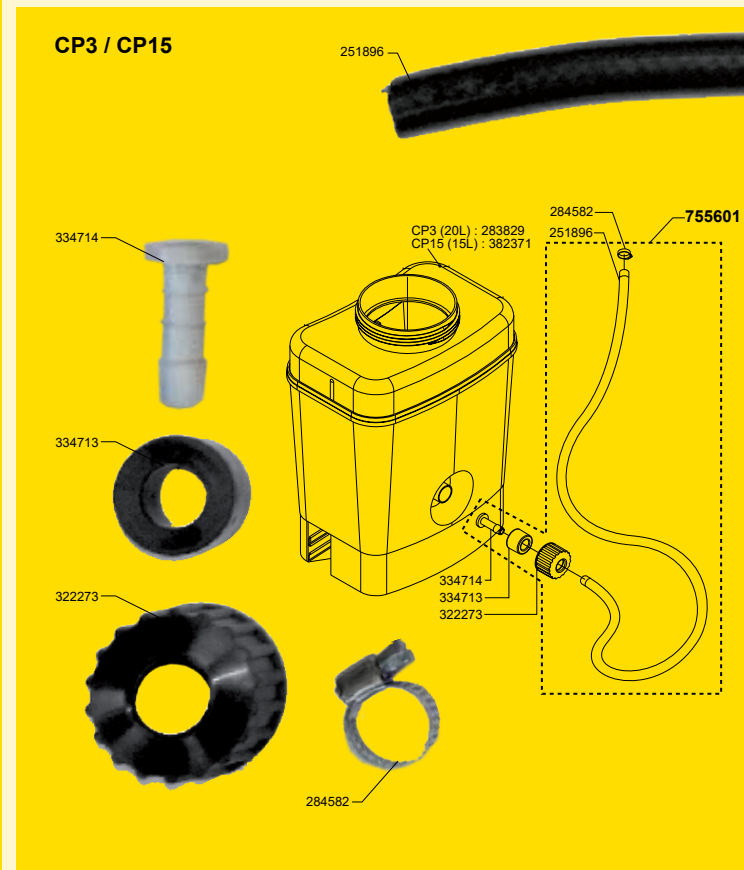
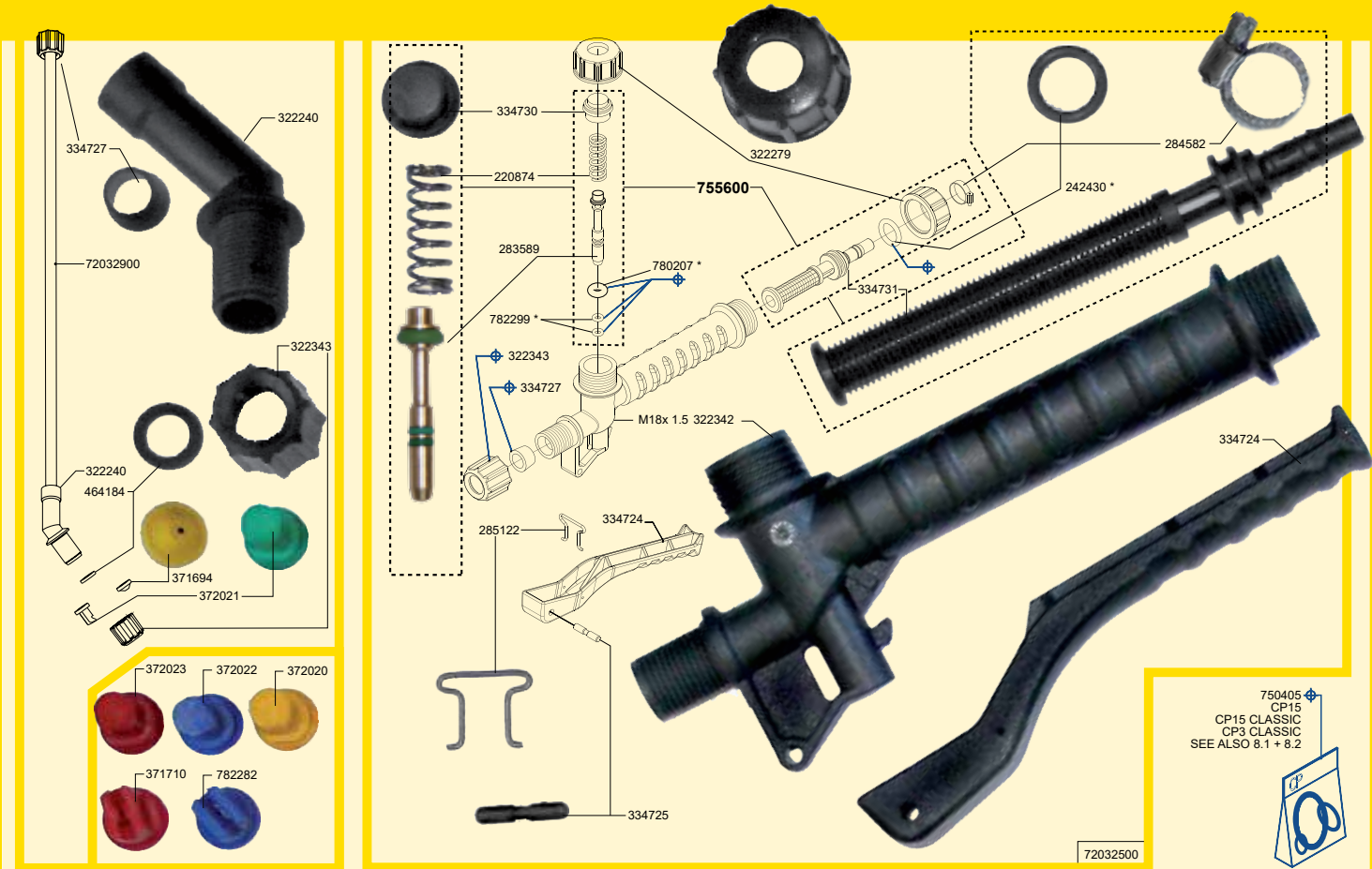


REF	Français	English	Español
147351	ECROU CONIQUAIT M18x1.5	UNION BRASS SHL	TUERCA CONICA LATON M18 X 1.5
283142	ENS.FERMETURE POMPE LASER	PISTON CLIP	CONJUNTO CIERRE DE BOMBA LASER
283587	SE POMPE CP5 / CP8	CP5/CP8 PUMP SUB ASSY	CONJUNTO BOMBA CP 5/CP 8
283589	SE POINT/LAITON POIG. CP15	HANDLE PISTON SUB ASSY	PISTON DE EMPUNADURA DE LATON
283599	TUYAUT COMPLETE CP5/CP8	COMPLETE HOSE MAXIPRO	TUBERIA COMPLETA CP5/CP8
283600	BRETILLE CP 5 / CP 8	CP5/CP8 STRAP	TIRANTE CP5/CP8
284970	TUBE FDV D106x1090	GLASSFIBRE TUBE D106x1090	TUBO FIBRA DE VIDRIO D10 X 6 X 1090
284971	TUBE FDV D106x2090	GLASSFIBRE TUBE D106x2090	TUBO FIBRA DE VIDRIO D10 X 6 X 2090
284972	TUBE FDV D106x490	GLASSFIBRE TUBE D106x490	TUBO FIBRA DE VIDRIO D10 X 6 X 490
285122	AGRAFE DE POIGNEE	WIRE CLIP	GANCHO DE EMPUNADURA
322240	PORTE BUSE COUDE HARDI	LANCE ELBOW	PORTA BOQUILLA CODADA
322277	RACCORD DE LANCE M18 x 1.5	LANCE END STRAIGHT	RACOR DE LANZA M18 X 1.5
322279	ECROU DE POIGNEE	CAP TRIGGER VAL	TUERCA DE EMPUNADURA
322343	CORPS DE POIGNEE M18	TRIGGER BODY	CUERPO DE EMPUNADURA M18
322342	ECROU M18x1.50 HARDI	NOZZLE CAP M18	TUERCA M18 X 1.50
334724	LEVIER DE POIGNEE BP 15/20	TRIGGER RELEASE HANDLE	PALANCA DE EMPUNADURA BP15/20
334727	BUTEE CONIQUE TUBE FDV D10	GROMMET	TUERCA CONICA TUBO FDV D10
410944	CLAPET POMPE VITON GRIS	PUMP VALVE VITON GREY	VALVULA VITON DE BOMBA GRIS
464184	JOINT PLAT 16X9X2 NBR	BACKING WASHER 16x9x2	JUNTA LLANA 16 X 9 X NBR
483025	TIGE POMPE FLORALY OPTIMA	MAXIPRO PUMP	VARILLA BOMBA FLORALY OPTIMA
483174	EMBASE RES.INJECTE BLEUE	TANK BASE BLUE	BASE TANQUE AZUL
483175	COQUE TETE PULSAR INJ BLEU	CASING SHELL	CASCO CABEZA PULSAR AZUL
730439	ALL DE LANCE BP 15/20 0.5M	EXTENSION 0.5M	ALARGADERA DE LANZA 15/20 0.5 M
730440	ALLONGE DE LANCE 1M M18	EXTENSION 1M	ALARGADERA DE LANZA 1M M18
730441	TUBE DE LANCE BP 15/20 1M	LANCE WITH ELBOW 1M	TUBO DE LANZA 15/20 1M
730442	LANCE 2M M18 PROLONGATEUR	LANCE WITH ELBOW 2M	EXTENSION DE LANZA 2M M18
283746	PIECES RECHANGE	SERVICE PACK	PIEZAS DE REPUESTO
735600	KIT POIGNEE DE LANCE CP	TRIGGER VALVE PACK	KIT EMPUNADURA DE LANZA
782293	KIT POIGNEE DE LANCE CP	PISTON SEAL FPM 70SH GREEN	JUNTA DE PISTON FPM 70SH VERDE
782294	JOINT TOR 89x5 FPM 70 SH V	O-RING 89x5 FPM 70 SH V	JUNTA 89 X 5 FPM 70 SH V
72032500	POIGNEE DE LANCE AGRAFE	LANCE HANDLE	GANCHO DE EMPUNADURA DE LANZA
72032900	SE TUBE LANCE FDV 500MM	LANCE WITH ELBOW 0.5M	TUBO DE LANZA FDV 500 MM



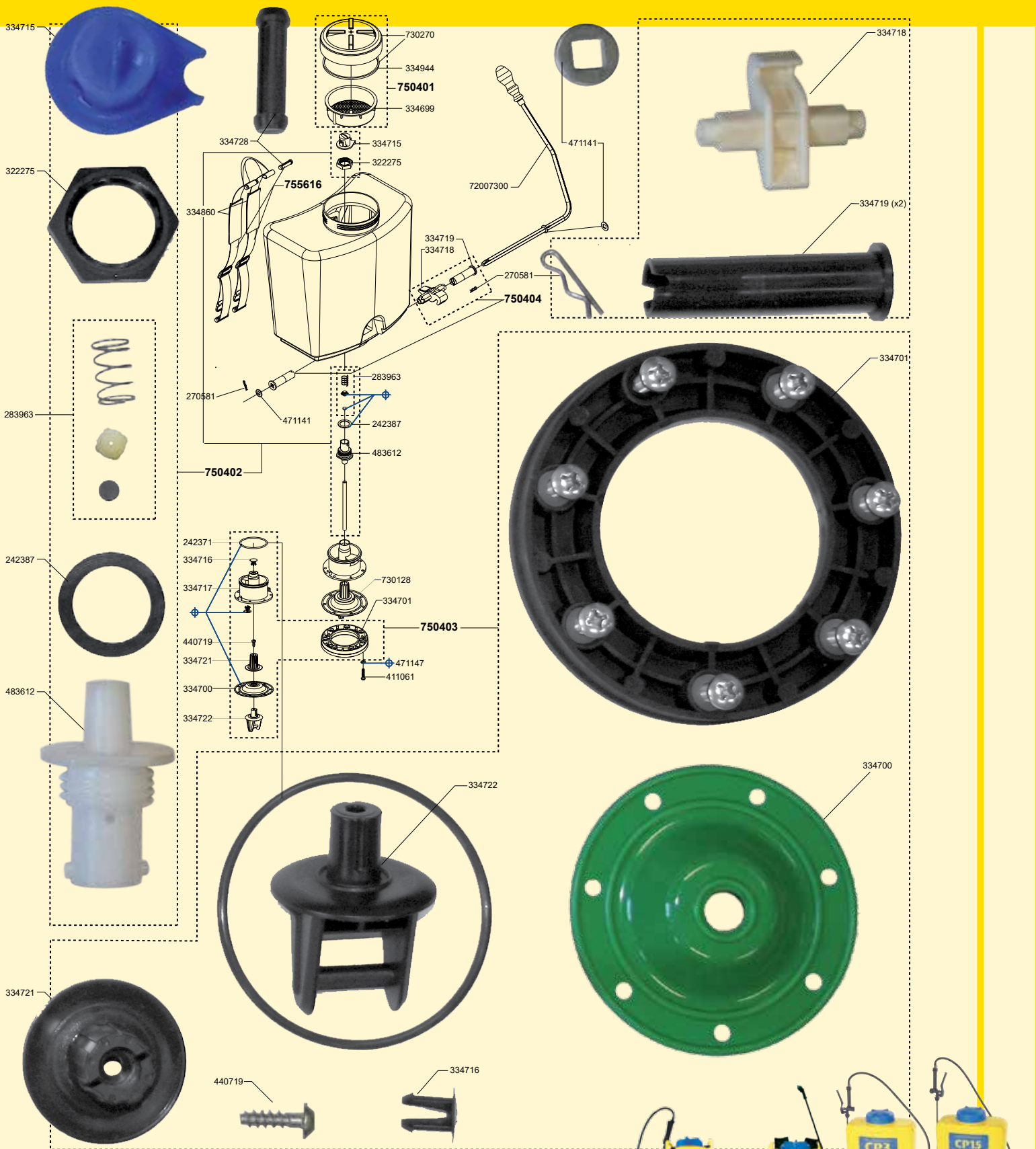


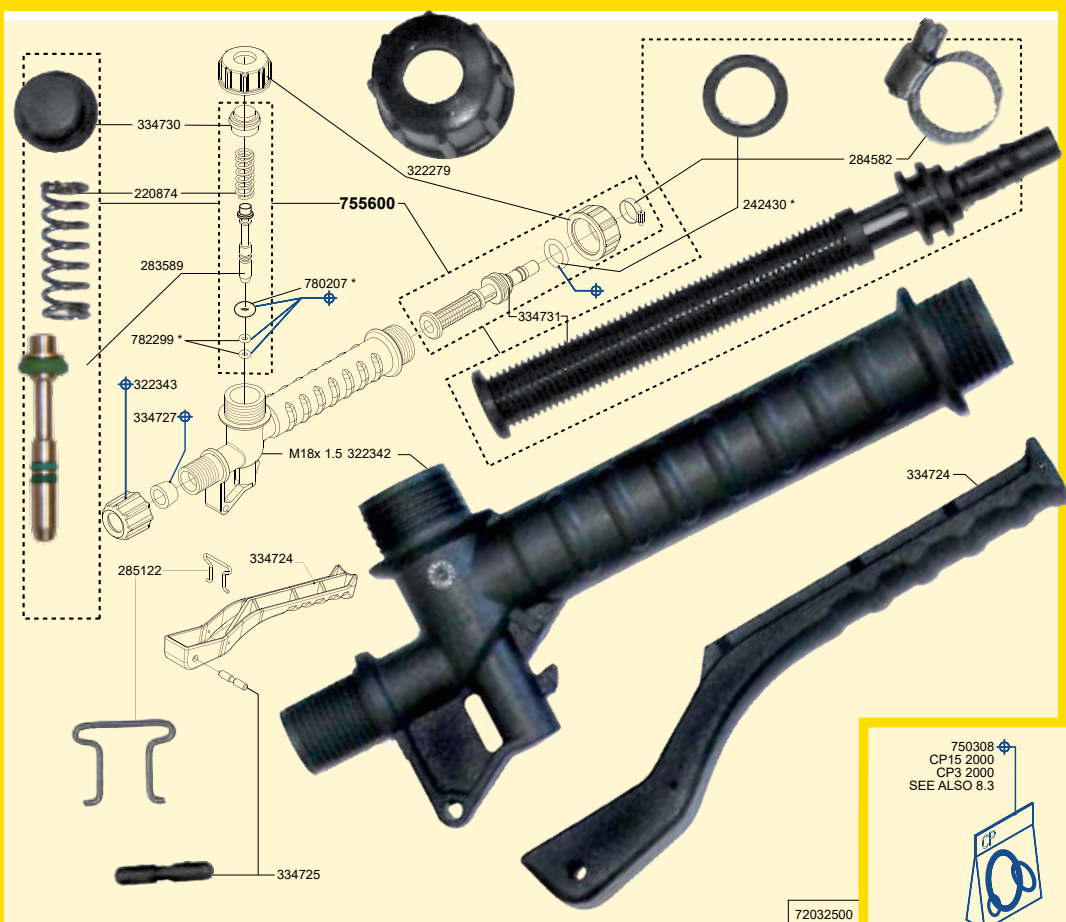
CP15 & CP3 EVOLUTION



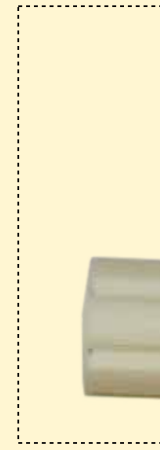
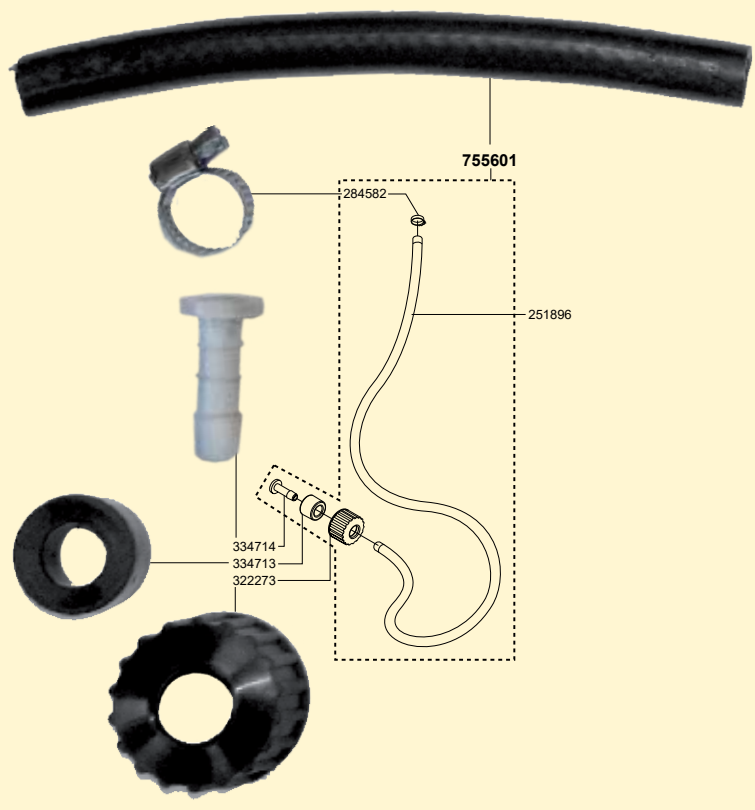
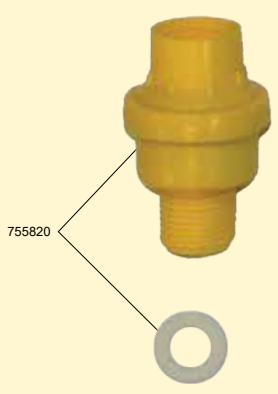
(A) = 283588

CP15 & CP3 CLASSIC

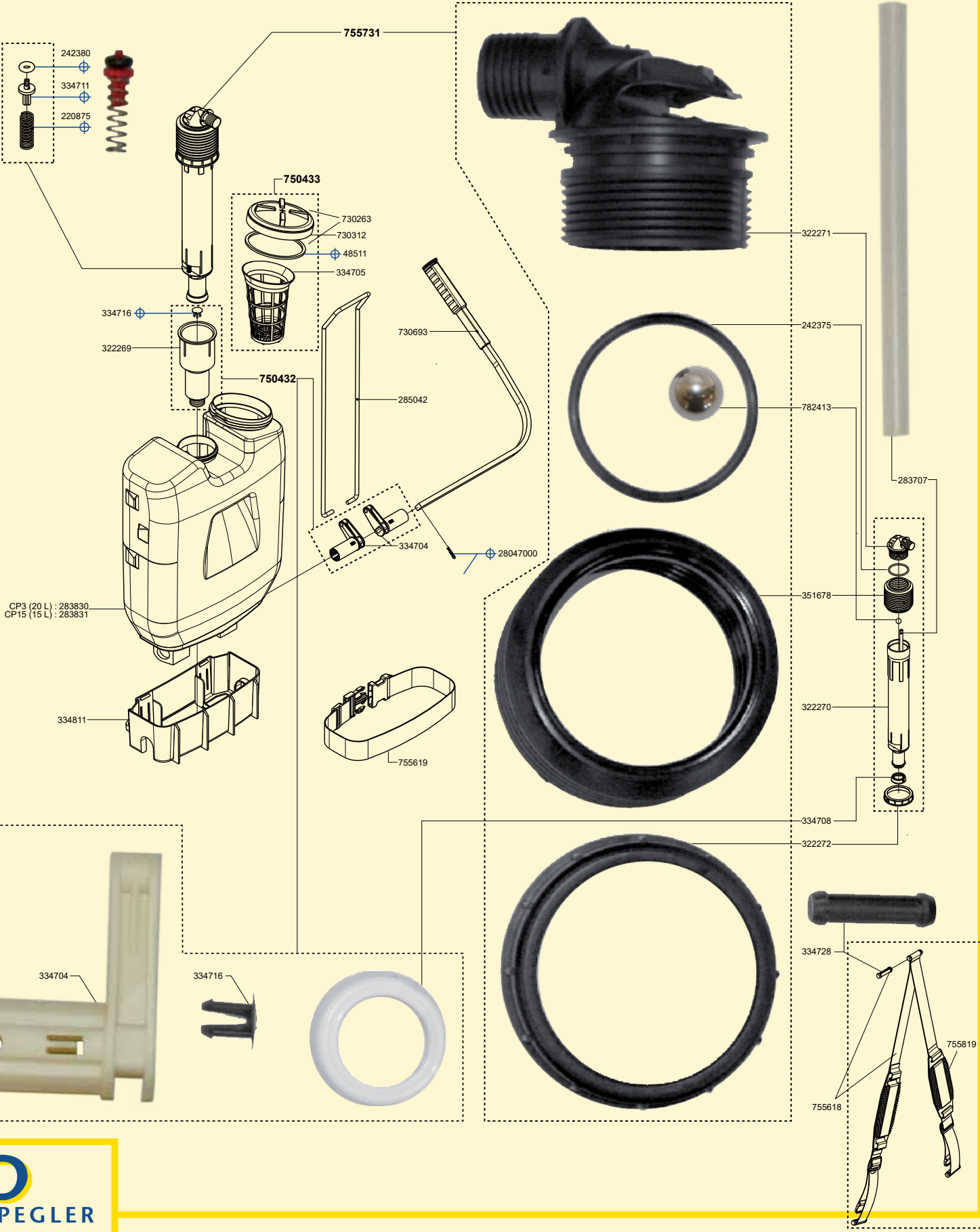


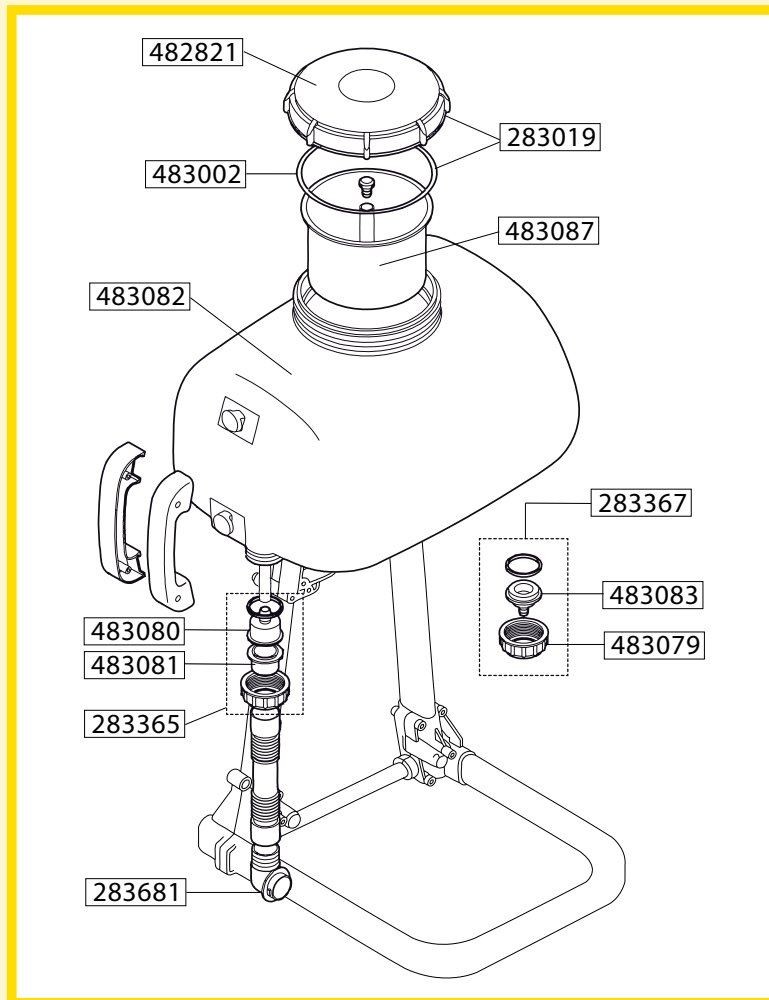
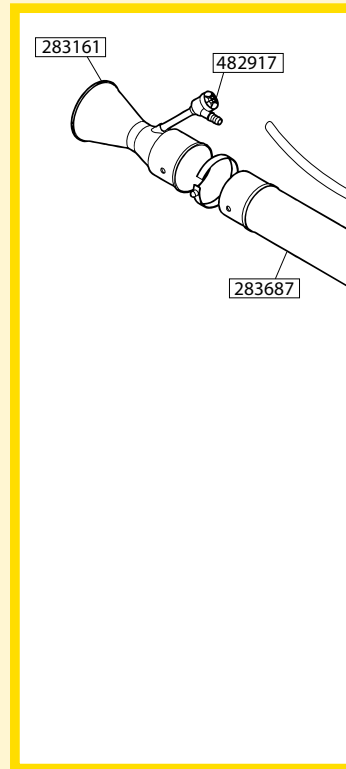
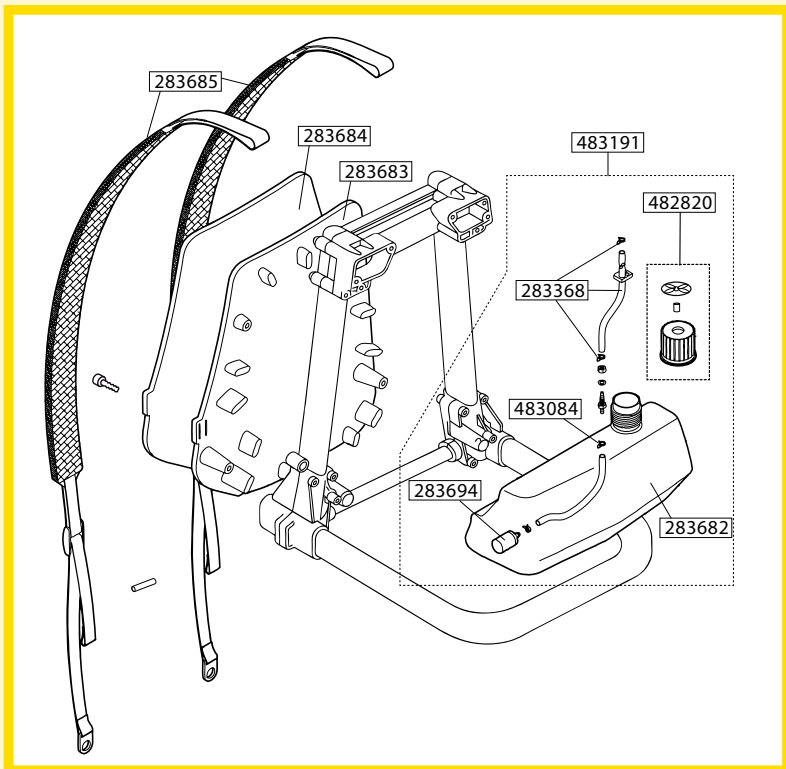


750308
CP15 2000
CP3 2000
SEE ALSO 8.3

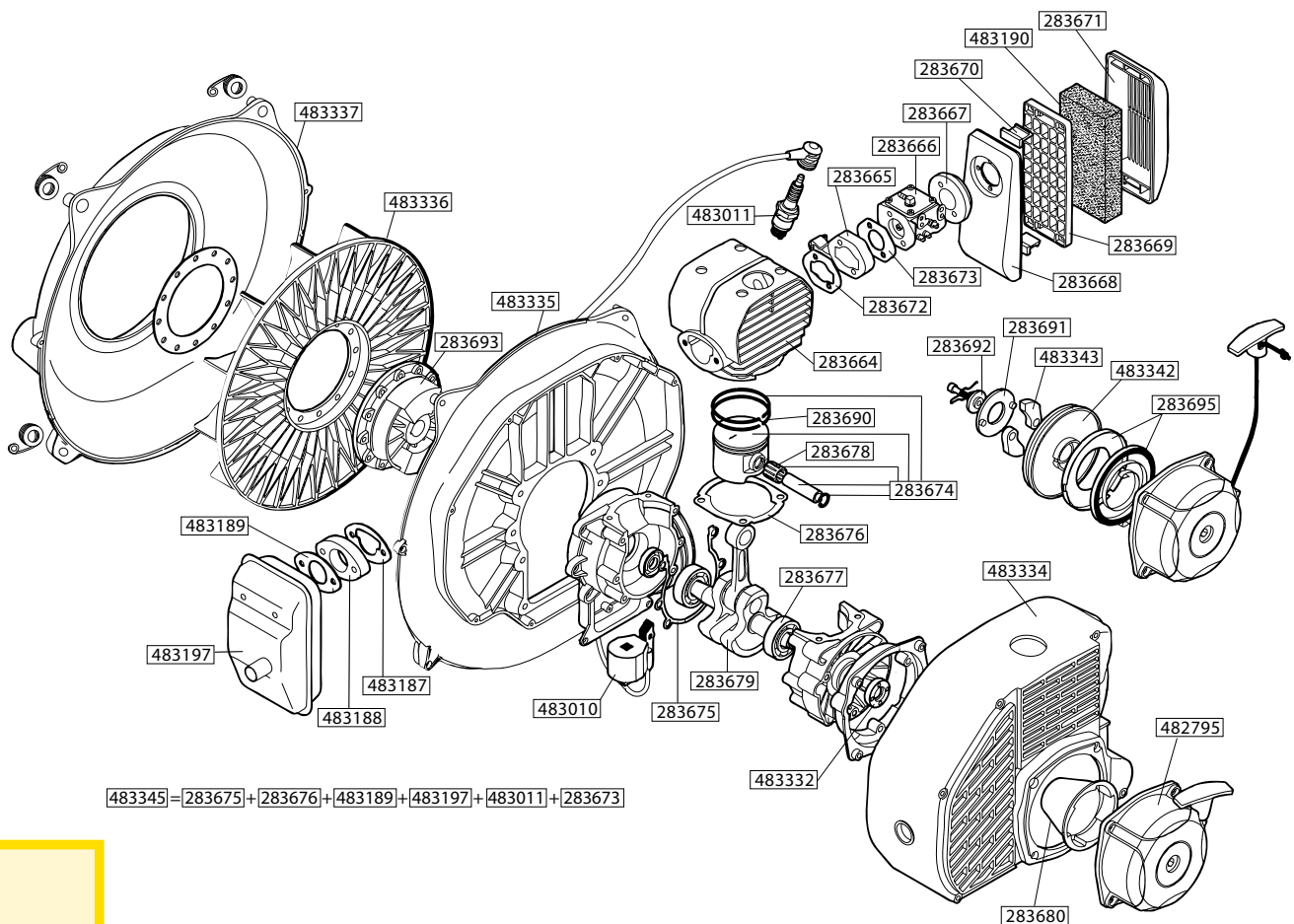
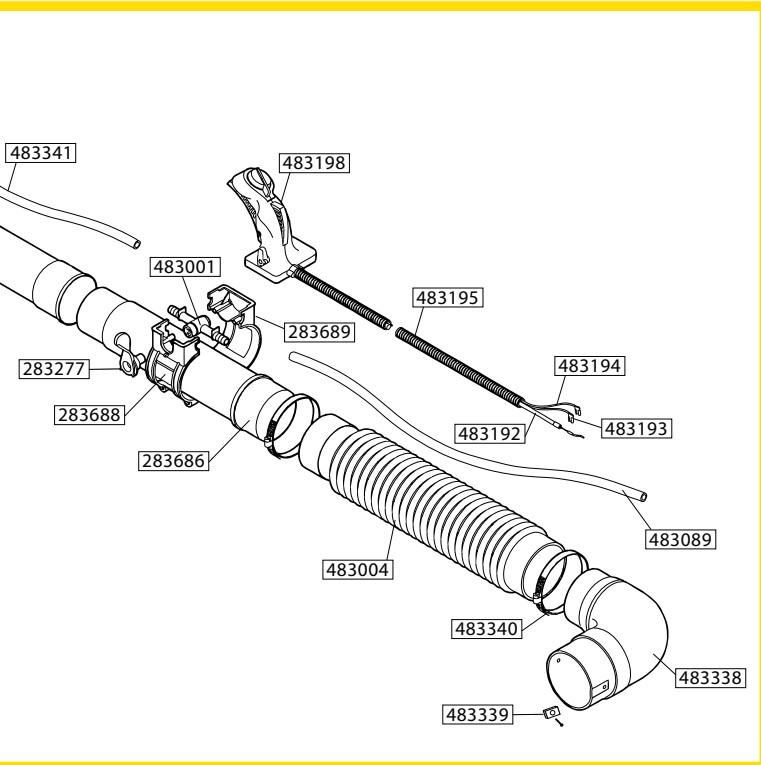


CP15 2000





OWER CP16



CP RANGE: LOGISTICS

PRODUCT DESCRIPTION	CODE	EAN CODE	BOX DIMENSIONS L X W X H (mm)	GROSS WEIGHT (kg) BOX+ EQUIPMENT	PALLET DIMENSION L 80 X W 120		NB UNITS /BOX
					HEIGHT (cm)		
CP 1,5	846248	3414438462489	490x290x300	3,30	195		6
CP 5	846249	3414438462496	200x200x520	2,00	223		1
CP 8	846250	3414438462502	200x200x690	2,80	222		1
CP 15 Evolution reference by full container	848150	3414438481503	345x260x490	4,10	207		1
CP 15 Evolution Confort reference by full container	848152	3414438481527	345x280x490	4,25	207		1
CP 15 Evolution FR reference by unit	848257	3414438482579	345x260x490	4,10	207		1
CP 15 Evolution Confort FR reference by unit	848258	3414438482586	345x280x490	4,25	207		1
CP 3 Evolution Confort reference by full container	848252	3414438482524	350x280x595	4,75	189		1
CP 3 Evolution Confort FR reference by unit	848255	3414438482555	350x280x595	4,90	189		1
CP 15 Classic	846255	3414438462557	400x250x470	5,20	203		1
CP 3 Classic	846320	3414438463202	400x250x570	5,40	211		1
CP 15 2000/S	846341	3414438463417	390x170x630	5,35	210		1
CP 15 2000/E	846342	3414438463424	390x170x630	5,35	210		1
CP 3 2000/S	846361	3414438463615	410x190x640	5,75	207		1
CP 3 2000/E	846362	3414438463622	410x190x640	5,75	207		1
CP 18	848101	3414438481015	400x180x520	4,12	223		1
CP ULV	848104	3414438481046	1080x200x150	1,35	165		1
CP INOX 10L	285344	3414432853443	240x240x600	4,80	219		1
MISTBLOWER CP 16	848102	3414438481022	460x370x720	14,00	159		1

TIC INFORMATION

		CONTAINER 20 " DRY		CONTAINER 40 " DRY		CONTAINER 40 " DRY HC	
NB UNITS / PALLET (kg)	TOTAL WEIGHT / PALLET (kg)	NB OF UNITS / CONTAINER	TOTAL WEIGHT (kg)	NB OF UNITS / CONTAINER	TOTAL WEIGHT (kg)	NB OF UNITS / CONTAINER	TOTAL WEIGHT (kg)
288	957	4 290	2 359,5	8 820	4 851	10 020	5 511
96	198	1 410	2 820	2 940	5 880	3 370	6 740
72	208	1 020	2 856	2 130	5 964	2 500	7 000
40	169	684	2 804	1 320	5 412	1 570	6 437
40	175	635	2 699	1 230	5 228	1 450	6 163
40	169	684	2804	1320	5412	1570	6 437
40	175	635	2699	1230	5228	1450	6 163
30	147,5	500	2375	1000	4750	1 200	5 700
30	152	500	2450	1000	4900	1 200	5 880
36	194	580	3 016	1 190	6 188	1 375	7 150
31	174	515	2 781	1 060	5 724	1 266	6 750
43	237	720	3 852	1 480	7 918	1 700	9 095
43	237	720	3 852	1 480	7 918	1 700	9 095
40	236	600	3 450	1 240	7 130	1 445	8 309
40	236	600	3 450	1 240	7 130	1 445	8 309
56	231	800	3 296	1 700	7 004	1 900	7 828
40	55	840	1 134	1 720	2 322	1 950	2 632,5
50	247	810	3 888	1 690	8 112	1 980	9 504
10	146	235	3 290	490	6 860	540	7 560

Reminder :

a container 20 " DRY = 30 m³

a container 40 " DRY = 60 m³

a container 40 " DRY High cube = 70 m³



HOZELOCK-EXEL
BP30424
69653 Villefranche Cedex
FRANCE
Tel: +33 (0)4 74 62 48 23
Fax: +33 (0)4 74 62 37 51
Email: hozelock-exel@hozelock-exel.com

Distributed by:

Be careful of illegal copies : these are poor quality counterfeit products. Cooper Pegler sprayers are original products manufactured according to strict standards ensuring reliability and efficiency over time.



www.cooper-pegler.com