



TRACVISION®

HD11

HD11
TRACVISION

KIVH®

**The Ultimate Marine
Satellite TV System for
Global Entertainment**

Introducing KVH's TracVision HD11

The satellite television entertainment you desire, the satellite television antenna your yacht deserves.

The next generation of satellite TV at sea has arrived – **KVH TracVision HD11** – the ultimate solution for global entertainment! Enjoy a front row seat and fast, easy access to the best satellite TV available with full support for all Direct-To-Home (DTH) Ku- and Ka-band television services worldwide. Using the most advanced satellite technology available today, this sleek, powerful, and exceptionally easy-to-use 1-meter satellite television system leaves every other system in its wake!

State-of-the-art antenna control unit for an elegantly easy user experience!

Enjoying TV entertainment at sea should be seamless, fun, and hassle-free! The TracVision HD11's Internet Protocol Antenna Control Unit (IPACU), Ethernet connection and built-in Wi-Fi interface make system setup and operation as simple as opening a web browser!

Want it even easier? Check out KVH's TracVision iPad®, iPhone®, and iPod touch® apps! Use them to switch satellites, access the satellite library, check signal strength, and download and automatically install antenna software and satellite updates. And gone are the days when entering a new region requires climbing up to the antenna to swap LNBS. With the TracVision HD11 it's as simple as visiting a page on your computer or iPad! It doesn't get any easier!



KVH's intelligent IP Antenna Control Unit offers the user the ultimate in convenience and simplicity.





Smart options for even easier operation.

Oftentimes the channels you want to watch are not on the same satellite. The new **KVH IP AutoSwitch** provides simple, automatic switching between DiSEqC 1.0-compatible satellites using just the master receiver's remote control! The IP AutoSwitch also enables you to choose which receiver onboard is the master so you can move from the salon to the stateroom and still have complete control with the push of a button!

The innovative **KVH SmartSwitch** enables switching between banks of receivers from different regions with just a button push! For vessels with the need for dual-dome installations, the SmartSwitch automatically switches to the antenna with the best signal for the chosen satellite.



The TracVision HD11 features KVH's revolutionary new four-axis robotic pedestal design providing superior strength, performance, and reliability.

World's most advanced satellite TV technology delivers the easiest operation available today!

The new TracVision HD11 offers groundbreaking technology designed to provide years of reliable performance in the demanding marine environment. Thanks to KVH's integrated worldwide TV satellite library of 100+ satellites, this smart antenna system allows you to easily switch between services so you can enjoy TV programming from linear and circular satellite TV broadcasts wherever you travel worldwide. Plus, an integrated GPS makes finding those satellites fast and easy!

KVH innovative TriAD™ technology allows you to receive DIRECTV®'s North American HDTV service which requires reception of signals from three satellites simultaneously and provides full support for DVRs. But best of all, TracVision HD11 streamlines operations by eliminating the need to swap LNBS when you reach a new region by utilizing KVH's state-of-the-art digitally programmable multi-beam Ka-/Ku-/Ka-band Universal World LNB.



The Ultimate Marine Satellite TV System for Global Entertainment

The TracVision HD11 features:

TriAD Technology

KVH's revolutionary TriAD technology – a breakthrough in antenna design – simultaneously receives broadcasts from Ka- and Ku-band satellites. These signals are concentrated by the precision tuned reflector and subreflector before reaching the unique tri-rod dielectric feed to provide a home television experience while you are at sea!

Four-axis, Fully Stabilized Design

The TracVision HD11's four-axis pedestal design features fully stabilized skew adjustment and a robotic direct drive that is stronger and tracks better than competing products. It enables the use of the largest possible antenna within the compact radome while covering the sky from the horizon to directly overhead at the equator, even in rough seas.

Advanced Satellite Detection and Identification

Using KVH's advanced RF7 satellite identification, fully integrated DVB-S2 compatibility, and dual tuners, the TracVision HD11 is the smartest satellite TV system at sea, capable of updating itself when service providers make changes to their satellite parameters.

Easy Installation

With a light, compact design, the TracVision HD11 is easy to install, reduces your above-decks weight, and even uses the same mounting pattern as our competitor's old 1-meter antennas! Whether the TracVision HD11 is a new install or an upgrade, installation will be a breeze!

GSM Remote Support Module

As part of KVH's commitment to world-class service and your satisfaction, every TracVision HD11 includes a service modem built into the antenna, enabling remote diagnostics to ensure optimal performance and rapid recovery in the unlikely event you experience an issue with the system.

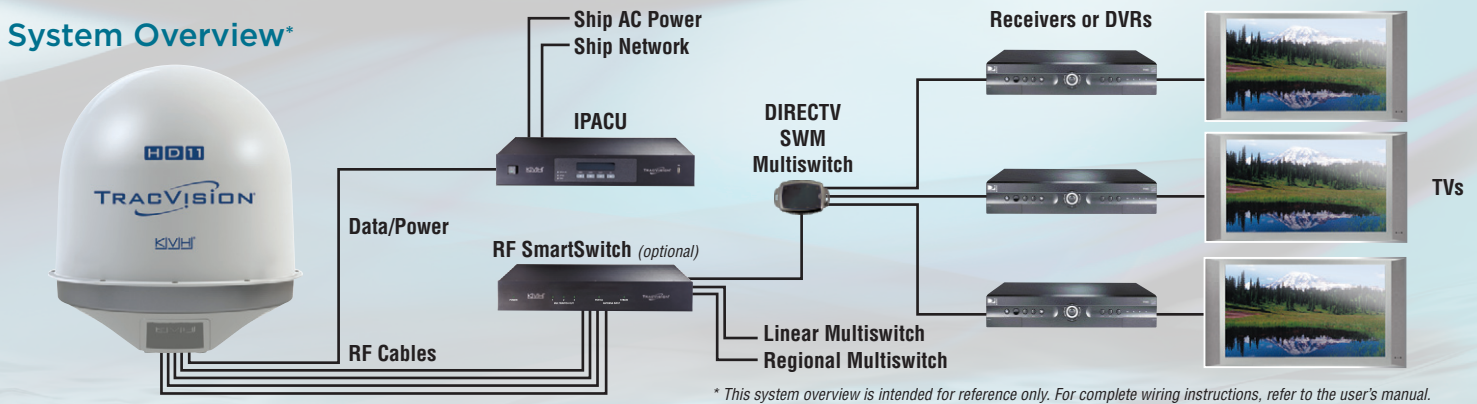


Making global satellite TV reception a reality.

Your yacht is designed to take you to exotic ports around the globe and now the TracVision HD11 will effortlessly connect you to your favorite services wherever you travel! Equipped with KVH's digitally programmable multi-beam Universal World LNB, it is compatible with every DTH satellite TV service worldwide. And to make operation even more simple, the system comes pre-loaded with an easily updated and expanded library of over 100 satellites around the globe.



System Overview*



* This system overview is intended for reference only. For complete wiring instructions, refer to the user's manual.

Technical Specifications

Antenna Dish Diameter	41.5" (105.4 cm)
Radome; Diameter/Height	51.3"/57.3" (130.3 cm/145.5 cm)
Antenna Weight	195 lbs (88.5 kg)
LNB Type	Digitally programmable Universal Ka-/Ku-/Ka-band Linear/circular
Tracking Range	-25° to 120°
Minimum EIRP	42 dBW (Ku-band) 45 dBW (Ka-band)
IPACU Dimensions; Length/Depth/Height	16.75" x 11" x 2.6" (42 cm x 28 cm x 7 cm)
Power Requirements	100-240 VAC; single phase 250 watts nominal 300 watts peak
Warranty	2-year parts, 1-year labor†

†Unless subject to country-specific regulations.

Look to KVH as the leader in providing broadband solutions to mobile users

KVH Industries is the world's leading provider of mobile satellite communications and television antenna systems and has been serving the marine industry since 1982. With more than 150,000 mobile satellite antennas sold worldwide, tens of thousands of vessels, vehicles, and aircraft enjoy digital-quality television programming thanks to KVH's diverse family of award-winning TracVision antennas.



In any harbor, anywhere around the world, you'll see the distinctive TracVision antennas with the gray baseplates installed on more boats than any other brand of satellite television antenna. It's no wonder that U.S. Coast Guard crews rely on TracVision to stay in touch and entertained! But the real proof is in the products themselves.



When you choose KVH, you choose the best.

World-class support

KVH customers enjoy a 24/7/365 online support and troubleshooting system; a responsive, international KVH service and support team; a broad-based network of authorized dealers/distributors; and the KVH Certified Support Network (CSN). An ISO 9001:2000-certified organization, KVH meets the highest international standards for quality.



www.tracvision.com



www.kvh.com



KVH Industries, Inc.
World Headquarters
Middletown, RI U.S.A.

Tel: +1 401 847 3327 Fax: +1 401 849 0045
E-mail: info@kvh.com

KVH Industries A/S
EMEA Headquarters
Kokkedal, Denmark

Tel: +45 45 160 180 Fax: +45 45 160 181
E-mail: info@emea.kvh.com

KVH Industries Pte Ltd.
Asia-Pacific Headquarters
Singapore

Tel: +65 6513 0290 Fax: +65 6472 3469
E-mail: info@apac.kvh.com