

Think Quality...Think Value...Think SteigenTech



**Rubber & Plastic Technologies**  
Product Overview 2015



# SteigenTech®

**New opportunity for your business growth**  
**Unique position in economical and quality drive belts**  
**People-based organization and best in class services**

Although SteigenTech is a new brand in Europe, for rubber and polyurethane drive-belt systems, it is produced under one roof by one of the worlds largest rubber friction belt manufacturers using the very latest machinery and technology, with patented belt manufacturing processes.

While making no compromises on robust quality, SteigenTech achieved the smart combination of intelligent product specifications matching international standards and value for money to offer true alternatives that works, away from premium pricing brands.

SteigenTech is offering formidable reliability and quality proven products in Classical and Wedge belts, Raw Edge Cogged belts along with Multi Ribbed Belts, neoprene and polyurethane Timing Belt (endless or open ended) and the new Turf Drive garden machinery belts.

With a more personal and people-based sales organization network composed of prestigious master distributor partners across the region and backed up with our regional warehouse hubs, we do have very large stocks and a wide range of belts in stock ; such as Poly -V, Rubber Timing Belts, PU Timing Belts, PU Timing Belt Linear, and of course, V-Belts ready to be shipped from several locations within your region.



**STEIGENTECH ASIA**  
 SHANGHAI - CHINA  
 @mail : info@steigentech.com



**STEIGENTECH EUROPE**  
 PARIS ROISSY CDG - FRANCE  
 @mail : info@steigentech.com



**STEIGENTECH GERMANY**  
 BERGRHEINFELD - GERMANY  
 @mail : info@steigentech.de



**STEIGENTECH - DRIVE PARTS DIRECT**  
 IPSWICH - ENGLAND  
 @mail : sales@drivepartsdirect.com



**STEIGENTECH IBERICA**  
 PORTO - PORTUGAL  
 @mail : sales.iberia@steigentech.com

# FRICTION BELTS

## RUBBER BELTS

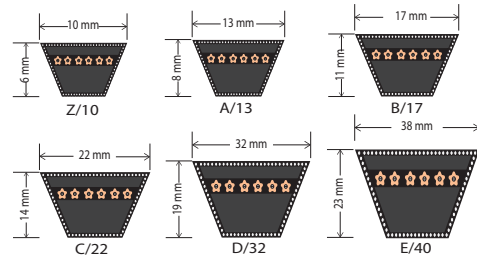


### CLASSICAL WRAPPED V-BELT

ISO 4184	Z	A	B	C	D	E
DIN 2215	10	13	17	22	32	40
Min Length (mm)	197	356	591	591	1473	3000
Max Length (mm)	5000	9000	15000	15000	15600	15156
Length Conversion (mm)	$Li=Ld-22$	$Li=Ld-30$	$Li=Ld-40$	$Li=Ld-58$	$Li=Ld-75$	$Li=Ld-80$



STEIGENTECH ANTI-STATIC HEAT & OIL RESISTANT Z20 104510U Z330Ld



### NARROW WEDGE V-BELT / POWER PLUS

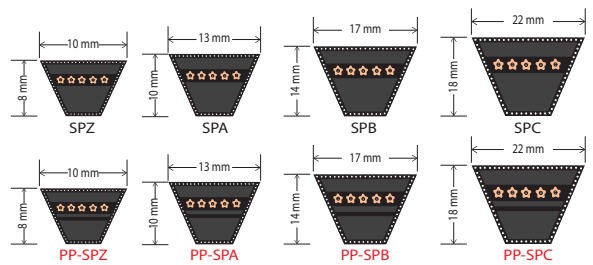
ISO 4184	SPZ*	SPA*	SPB*	SPC*
Min Length (mm)	381	600	1260	1380
Max Length (mm)	5000	5300	9178	12500
Length Conversion (mm)	$La=Li+50$	$La=Li+63$	$La=Li+88$	$La=Li+144$



\*also available with kevlar cords, consult us

STEIGENTECH ANTI-STATIC HEAT & OIL RESISTANT SPZ 1120

STEIGENTECH POWER PLUS ANTI-STATIC HEAT & OIL RESISTANT SPZ 1120



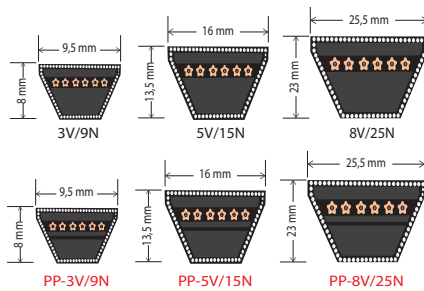
RMA/MPTA IP22	3V/9N*	5V/15N*	8V/25N*
Min Length (mm)	381	1122	2000
Max Length (mm)	4700	11000	15000
Length Conversion (mm)	$La=Li+50$	$La=Li+85$	$La=Li+144$



\*also available with kevlar cords, consult us

STEIGENTECH ANTI-STATIC HEAT & OIL RESISTANT 3V/9N

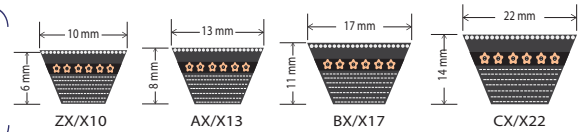
STEIGENTECH POWER PLUS ANTI-STATIC HEAT & OIL RESISTANT 3V/9N



### MOULDED COGGED RAW EDGE CLASSICAL V-BELT



ISO 4184	ZX	AX	BX	CX
Din 2215	X10	X13	X17	X22
Min Length (mm)	500	500	571	571
Max Length (mm)	5000	5000	5000	5000
Length Conversion (mm)	Li=Ld-22	Li=Ld-30	Li=Ld-40	Li=Ld-58

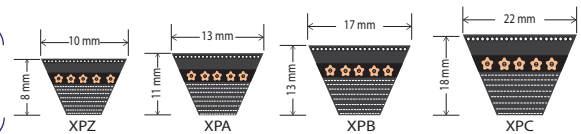


**STEIGENTECH** BX 67 17 X 1700 Li BX 1750 Ld

### MOULDED COGGED RAW EDGE NARROW V-BELT



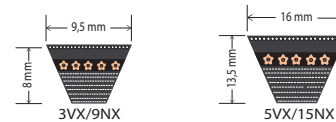
ISO 4184	XPZ	XPA	XPB	XPC
Min Length (mm)	500	500	571	571
Max Length (mm)	5000	5080	5000	5000
Length Conversion (mm)	La=Li+50	La=Li+63	La=Li+82	La=Li+113



**STEIGENTECH** XPA 770

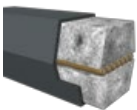


RMA/MPTA IP22	3VX/9NX	5VX/15NX
Min Length (mm)	500	571
Max Length (mm)	5000	5000
Length Conversion (mm)	La=Li+50	La=Li+85

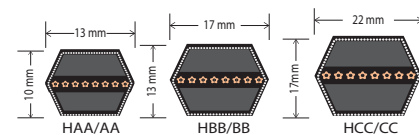


**STEIGENTECH** 3VX/9NX

### DUAL SIDED HEXAGONAL V-BELT

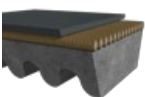


ISO 5289	HAA	HBB	HCC
Min Length (mm)	965	1092	2200
Max Length (mm)	5000	11000	9200
Length Conversion (mm)	Li=La-63	Li=La-82	Li=La-107

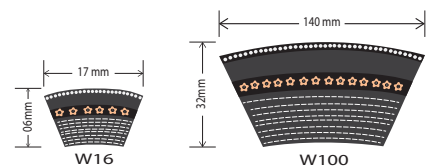


**STEIGENTECH** ANTI STATIC HEAT & OIL RESISTANT AA 105

### COGGED INDUSTRIAL VARIABLE SPEED BELT

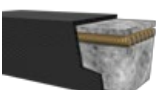


ISO 1604	W16	W20	W25	W31.5	W40	W50	W63	W80	W100
Min Length (mm)	500	560	560	800	990	1250	1800	2240	2800
Max Length (mm)	1000	1250	1600	2000	2500	3150	4000	5000	6300
Angle °	26	26	28	28	28	28	28	28	28

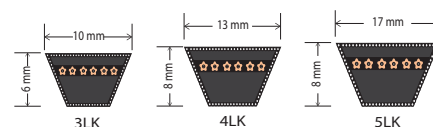


**STEIGENTECH** W26 900

### TURF - DRIVE LAWN & GARDEN COTTON WRAPPED KEVLAR BELT



RMA IP23	3LK	4LK	5LK
Min Length (mm)	330	356	483
Max Length (mm)	3048	356	15240



**STEIGENTECH** TURF DRIVE 4.33% COTTON WRAPPED KEVLAR BELT

# FRICTION BELTS

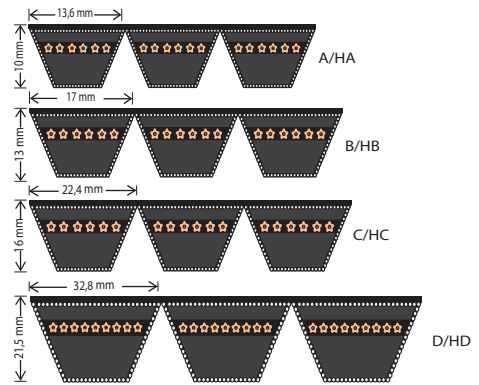
## RUBBER BELTS

### BANDED CLASSICAL WRAPPED V-BELT



ISO 4184	A/HA	B/HB	C/HC	D/HD
Min Length (mm)	1200	1200	1800	4500
Max Length (mm)	5000	10000	10000	15000
Length Conversion (mm)	Li=La-63	Li=La-82	Li=La-100	Li=La-135
Max. ribs per belt	20	16	12	9

STEIGENTECH ANTI-STATIC HEAT & OIL RESISTANT A71 1800U 1863 Ld

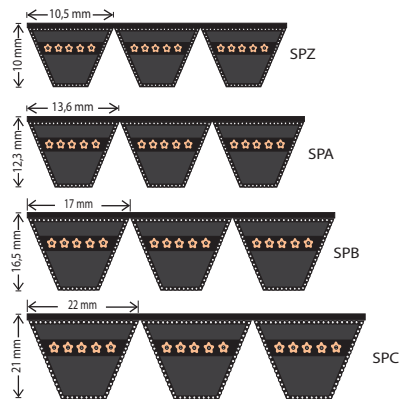


### BANDED NARROW WEDGE V-BELT



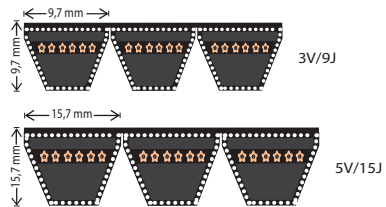
ISO 4184	SPZ	SPA	SPB	SPC
Min Length (mm)	1500	1250	1600	2000
Max Length (mm)	3000	5000	11000	15000
Length Conversion (mm)	La=Li+63	La=Li+78	La=Li+105	La=Li+132
Max. ribs per belt	25	20	16	12

STEIGENTECH ANTI-STATIC HEAT & OIL RESISTANT SPA 1400



RMA/MPTA IP22	3V/9J	5V/15J
Min Length (mm)	5200	1300
Max Length (mm)	4700	10000
Length Conversion (mm)	La=Li+63	La=Li+98
Max. ribs per belt	24	16

STEIGENTECH ANTI-STATIC HEAT & OIL RESISTANT 3V/9J

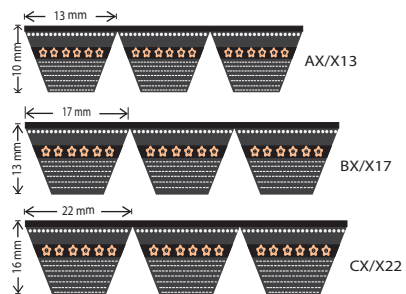


### BANDED MOULDED COGGED RAW EDGE WEDGE V-BELT



ISO 4184	AX/HAX	BX/HBX	CX/HCX
Min Length (mm)	850	850	850
Max Length (mm)	3000	3000	3000
Length Conversion (mm)	Li=Lw-30	Li=Lw-40	Li=Lw-58
Max. ribs per belt	6	6	6

STEIGENTECH ZK33

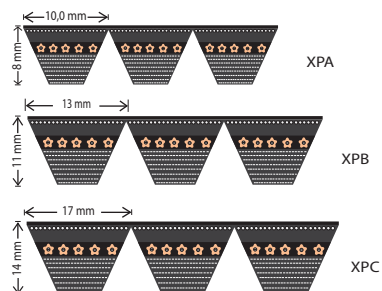


### BANDED MOULDED COGGED RAW EDGE NARROW V-BELT



ISO 4184	XPA	XPB	XPC
Min Length (mm)	600	600	600
Max Length (mm)	5600	5600	5600
Length Conversion (mm)	Li=Lw-30	Li=Lw-40	Li=Lw-58
Max. ribs per belt	6	6	6

STEIGENTECH XPA 770

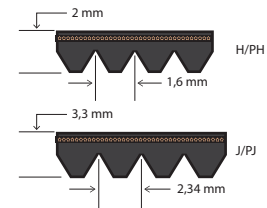


### MOULDED RIBBED BELT



ISO 9982	H/PH	J/PJ
Min Length (mm)	150	150
Max Length (mm)	3084	3048
Standard number of ribs	4,6,8,10,12	4,6,8,10,12
Max. ribs per belt	330	225

STEIGENTECH P11016/400J

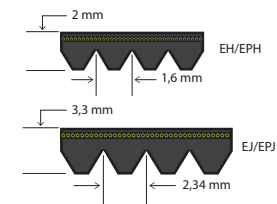


### ELASTIC MOULDED RIBBED BELT



ISO 9982	EH/EPH	EJ/EPJ
Min Length (mm)	150	150
Max Length (mm)	3084	3048
Elongation	2-8 %	2-8 %
Standard number of ribs	4,6,8,10,12	4,6,8,10,12

STEIGENTECH EP11016/400EJ

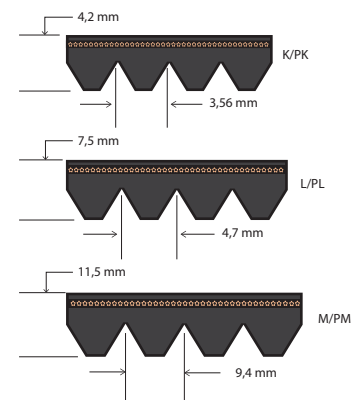


### GRINDED RIBBED BELT



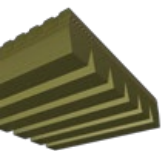
ISO 9982	PK	PL	PM
Min. Length (mm)	559	900	2000
Max. Length (mm)	3048	4064	10 000
Standard number of ribs	6,8,10,12,16	6,8,10,12,16	6,8,10,12,16
Max. number of ribs	60	45	22

STEIGENTECH PL3086/1215L



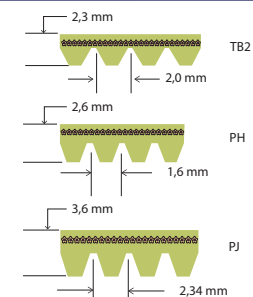
## POLYURETHANE BELTS

### POLYURETHANE RIBBED BELT



ISO 9982	PH	PJ	TB2
Max. number of ribs	125	100	65
Min.Length (mm)	/	216	150
Max. Length (mm)	2 000	1 500	1 500

STEIGENTECH 440 H6

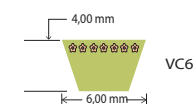


### MICRO POLYURETHANE V-BELT



DESIGNATION	VC6	DC6
Section W x H (mm)	6 x 4	6 x 4
Min.Length (mm)	200	400
Max. Length (mm)	1 000	1 000

STEIGENTECH 6 x 4 x 640



# SYNCHRONOUS BELTS

## RUBBER BELTS



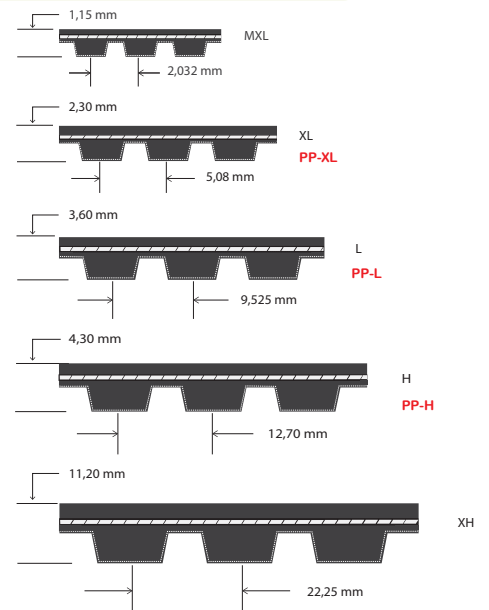
### IMPERIAL CLASSICAL TRAPEZOIDAL TOOTH / POWER PLUS



ISO 5296	MXL	XL	L	H	XH
TOOTH PITCH (mm)	2,032	5,080	9,525	12,700	22,225
TOOTH HEIGHT (mm)	0,51	1,27	1,91	2,29	6,35
BELT THICKNESS (mm)	1,15	2,30	3,60	4,30	11,20
PITCH LENGTH (mm)	65 - 6892	112 - 3795	170 - 4257	368 - 4318	1288 - 4445

STEIGENTECH NE PAS PLIER DO NOT CRIMP NIGHT KNICKEN NON PIEGARE 200 -XL-031

STEIGENTECH POWER PLUS NE PAS PLIER DO NOT CRIMP NIGHT KNICKEN NON PIEGARE PP - 300 -H-075

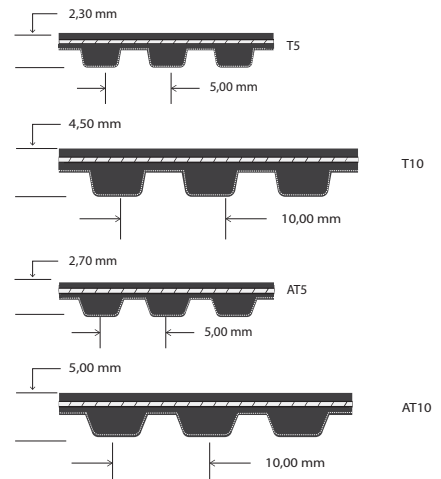


### METRIC CLASSICAL TRAPEZOIDAL TOOTH



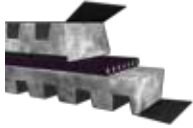
ISO / CD 17396	T5	T10	AT5	AT10
TOOTH PITCH (mm)	5,0	10,0	5,0	10,0
TOOTH HEIGHT (mm)	1,2	2,5	1,2	2,5
BELT THICKNESS (mm)	2,2	4,5	2,7	5,0
PITCH LENGTH (mm)	102-1345	100-4075	225-1520	500-4030

STEIGENTECH NE PAS PLIER DO NOT CRIMP NIGHT KNICKEN NON PIEGARE 200 -T5-031



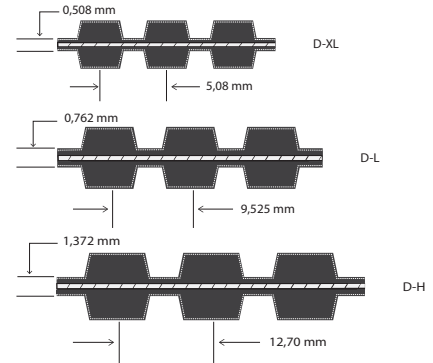


### DUAL SIDED CLASSICAL TRAPEZOIDAL TOOTH



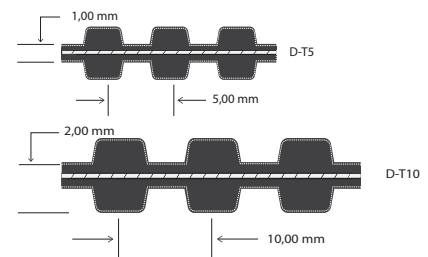
ISO 5296	D-XL	D-L	D-H
Pitch (min)	5,080	9,525	12,700
Double teeth Height (mm)	3,05	4,58	5,95
Tooth Width (mm)	2,57	4,65	6,12
Belt Thickness between teeth (mm)	3,05	4,58	5,95
Pitch length (mm)	762-3794	504-4257	508-4445

STEIGENTECH NE PAS PLIER DO NOT CRIMP NIGHT KNICKEN NON PIEGARE 200-D-XL-031



ISO/CD 17396	D-T5	D-T10
Pitch (min)	5,0	10,0
Double teeth Height (mm)	3,4	7,0
Tooth Width (mm)	2,65	5,30
Belt Thickness between teeth (mm)	1,0	2,0
Pitch length (mm)	750-3000	750-3000

STEIGENTECH NE PAS PLIER DO NOT CRIMP NIGHT KNICKEN NON PIEGARE 500-D-T5-15

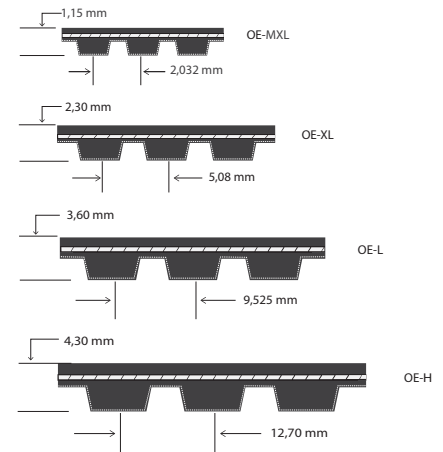


### OPEN-ENDED CLASSICAL TRAPEZOIDAL TOOTH



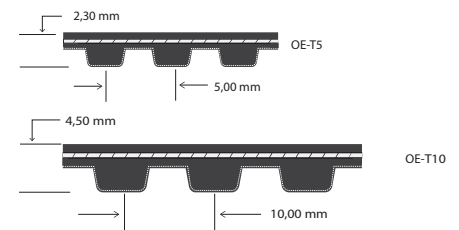
ISO 5296	OE-MXL	OE-XL	OE-L	OE-H
Pitch (mm)	2,032	5,080	9,525	12,700
Tooth Height (mm)	0,51	1,27	1,91	2,29
Tooth Width (mm)	1,14	2,57	4,65	6,12

STEIGENTECH NE PAS PLIER DO NOT CRIMP NIGHT KNICKEN NON PIEGARE 200-OE-XL-031



ISO / CD 17396	OE-T5	OE-T10
Pitch (mm)	5,0	10,0
Tooth Height (mm)	1,2	2,5
Tooth Width (mm)	2,65	5,30

STEIGENTECH NE PAS PLIER DO NOT CRIMP NIGHT KNICKEN NON PIEGARE 500-OE-T5-15



# SYNCHRONOUS BELTS

## RUBBER BELTS

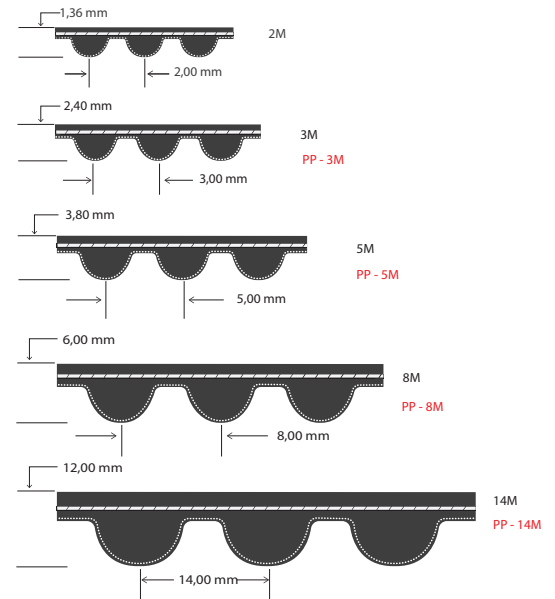
### H-TYPE CURVILINEAR TOOTH / POWER PLUS

ISO 13050	H2M	H3M	H5M
TOOTH PITCH (mm)	2,0	3,0	5,0
TOOTH HEIGHT (mm)	0,75	1,17	2,06
BELT THICKNESS (mm)	1,36	2,4	3,8
PITCH LENGTH (mm)	89 - 750	81-3390	180 - 4280

ISO 13050	H8M	H14M
TOOTH PITCH (mm)	8,0	14,0
TOOTH HEIGHT (mm)	3,38	6,02
BELT THICKNESS (mm)	6,0	10,0
PITCH LENGTH (mm)	184 - 5120	714-4956

ISO	STANDARD	POWER PLUS
Anti Static	available	✓
Silicon Free	available	✓

**STEIGENTECH** NE PAS PLIER DO NOT CRIMP NIGHT KNICKEN NON PIEGARE 300-3M-15  
**STEIGENTECH POWER PLUS** NE PAS PLIER DO NOT CRIMP NIGHT KNICKEN NON PIEGARE PP-300-3M-15



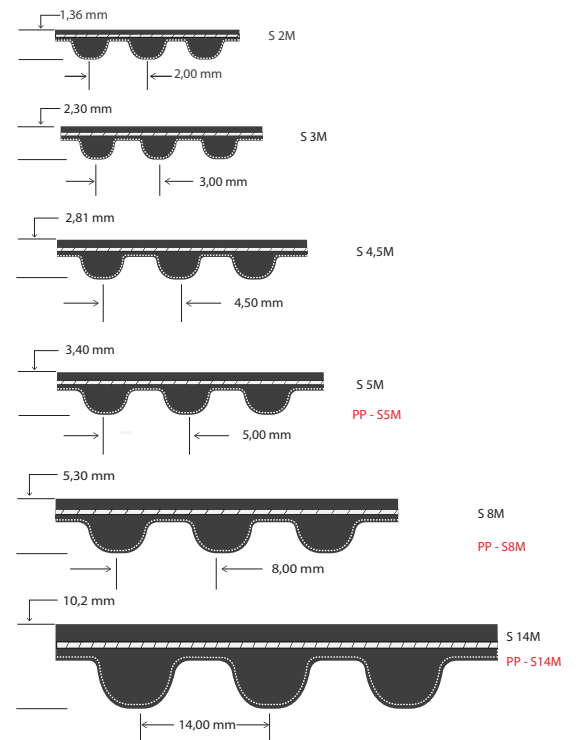
### S-TYPE CURVILINEAR TOOTH / POWER PLUS

ISO 13050	S2M	S3M	S4,5M
TOOTH PITCH (mm)	2,0	3,0	4,5
TOOTH HEIGHT (mm)	0,76	1,14	1,71
BELT THICKNESS (mm)	1,36	2,2	2,81
PITCH LENGTH (mm)	90 - 3000	144 - 3210	162 - 2475

ISO 13050	S5M	S8M	S14M
TOOTH PITCH (mm)	5,0	8,0	14,0
TOOTH HEIGHT (mm)	1,91	3,05	5,30
BELT THICKNESS (mm)	3,41	5,30	10,20
PITCH LENGTH (mm)	150 - 3090	376 - 4400	966 - 3880

ISO	STANDARD	POWER PLUS
Anti Static	available	✓
Silicon Free	available	✓

**STEIGENTECH** NE PAS PLIER DO NOT CRIMP NIGHT KNICKEN NON PIEGARE 300-3M-15  
**STEIGENTECH POWER PLUS** NE PAS PLIER DO NOT CRIMP NIGHT KNICKEN NON PIEGARE PP-880-58M-40



## RUBBER BELTS

### R-TYPE CURVILINEAR TOOTH / POWER PLUS

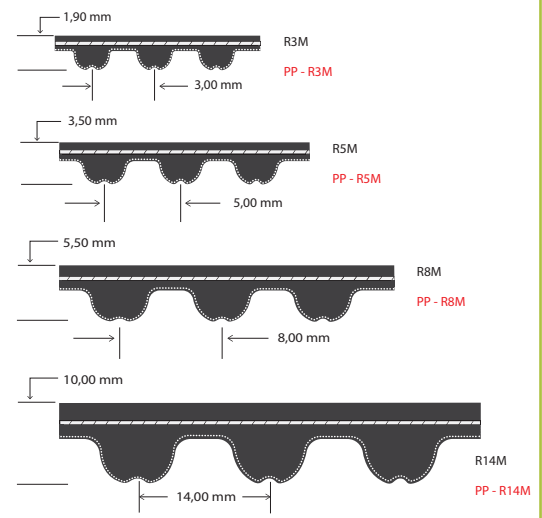


ISO 13050	R3M	R5M	R8M	R14M
Tooth Pitch (mm)	3,0	5,0	8,0	14,0
Tooth Height (mm)	1,15	1,95	3,20	6,00
Belt thickness (mm)	1,90	3,50	5,50	10,00
Pitch length (mm)	165 - 405	240 - 1395	376 - 2800	938 - 3500

ISO	STANDARD	POWER PLUS
Anti Static	available	✓
Silicon Free	available	✓

**STEIGENTECH** NE PAS PLIER DO NOT CRIMP NIGHT KNICKEN NON PIEGARE 520-R5M-6

**STEIGENTECH POWER PLUS** NE PAS PLIER DO NOT CRIMP NIGHT KNICKEN NON PIEGARE PP-1440-R8M-30



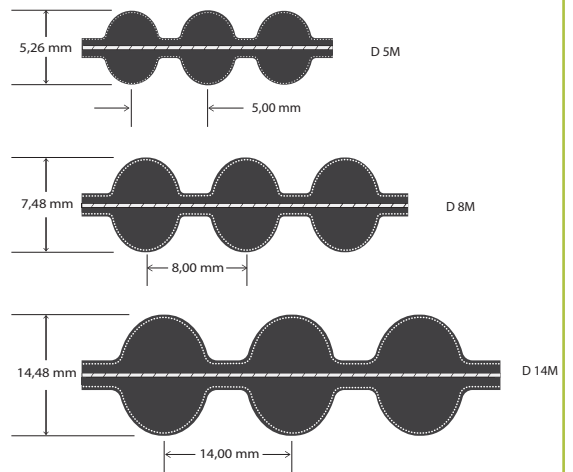
### DUAL SIDED CURVILINEAR TOOTH



ISO 13050	D5M	D8M	D14M
Pitch (mm)	5,0	8,0	14,0
Double Tooth Height (mm)	5,26	8,17	14,84
Belt Thickness (mm)*	1,14	1,37	2,80
Pitch length (mm)	750 - 4260	760 - 5120	1246 - 4956

\* Between teeth

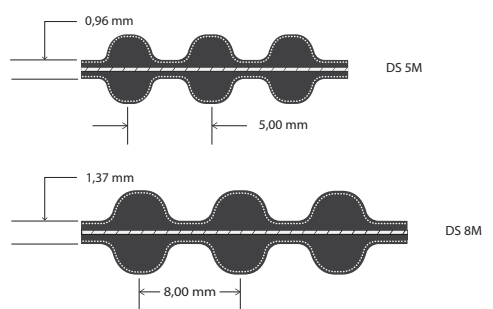
**STEIGENTECH** NE PAS PLIER DO NOT CRIMP NIGHT KNICKEN NON PIEGARE 300-D3M-15



ISO 13050	DS5M	DS8M
Pitch (mm)	5,0	8,0
Double Tooth Height (mm)	4,25	7,48
Belt Thickness (mm)*	0,96	1,37
Pitch length (mm)	550 - 3090	760 - 4400

\* Between teeth

**STEIGENTECH** NE PAS PLIER DO NOT CRIMP NIGHT KNICKEN NON PIEGARE 300-DS3M-15



# SYNCHRONOUS BELTS

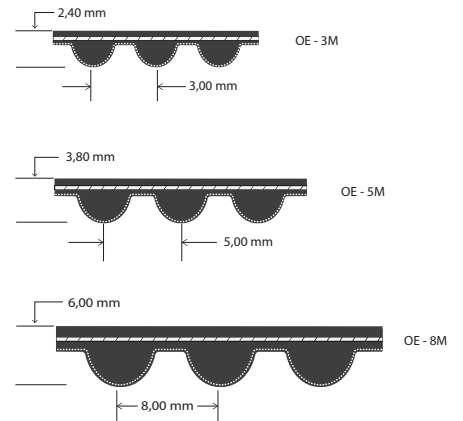
## RUBBER BELTS

### OPEN ENDED CURVILINEAR TOOTH



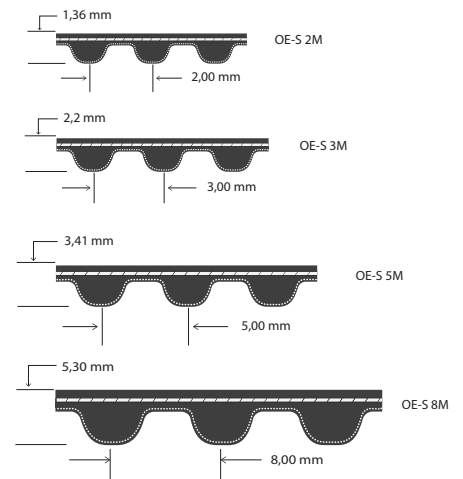
ISO 13050	OE-3M	OE-5M	OE-8M
Pitch (min)	3,0	5,0	8,0
Tooth Height (mm)	1,17	2,06	3,38
Tooth Width (mm)	1,78	3,05	5,15

**STEIGENTECH** NE PAS PLIER DO NOT CRIMP NIGHT KNICKEN NON PIEGARE 100 - OE - 3M - 15



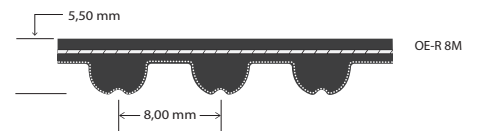
ISO 13050	OE-S2M	OE-S3M	OE-S5M	OE-S8M
Pitch (min)	2,0	3,0	5,0	8,0
Tooth Height (mm)	1,91	3,05	1,91	3,05
Tooth Width (mm)	3,25	5,20	3,25	5,20

**STEIGENTECH** NE PAS PLIER DO NOT CRIMP NIGHT KNICKEN NON PIEGARE 90 - OE - 55M - 09



ISO 13050	OE-R8M
Pitch (min)	8,0
Tooth Height (mm)	3,20
Tooth Width (mm)	5,50

**STEIGENTECH** NE PAS PLIER DO NOT CRIMP NIGHT KNICKEN NON PIEGARE 60 - OE - R8M - 25



## POLYURETHANE BELTS

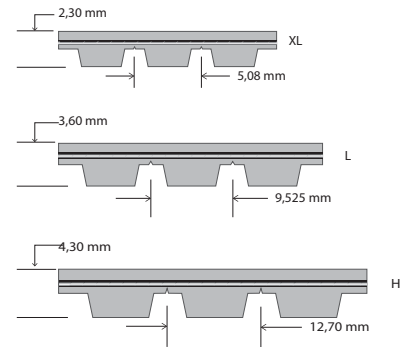
### MOULDED ENDLESS IMPERIAL CLASSICAL TRAPEZOIDAL TOOTH



ISO 5296	XL	L	H
Teeth range (min-max)	30 - 315	33 - 194	40 - 220
Pitch length (mm)	152,40 - 2540,0	314,33-1847,85	508,0-2794,0

\* available with steel or kevlar cords, consult us

STEIGENTECH NE PAS PLIER DO NOT CRIMP NIGHT KNICKEN NON PIEGARE 225-L-050-PU-S



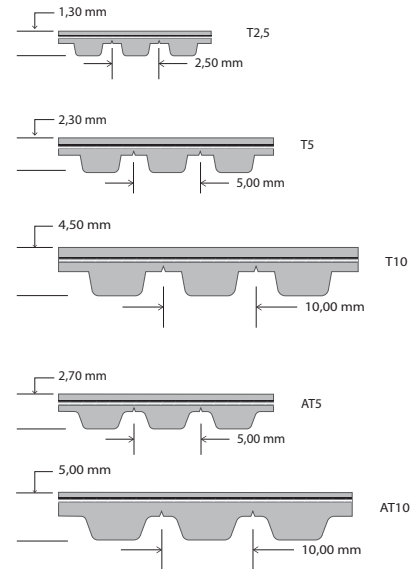
### MOULDED ENDLESS METRIC CLASSICAL TRAPEZOIDAL TOOTH



ISO / CD 17396	T2,5	T5	T10
Teeth range (min-max)	48 - 520	29 - 391	34 - 304
Pitch length (mm)	120 - 1300	145 - 1955	340 - 3040

\* available with steel or kevlar cords, consult us

STEIGENTECH NE PAS PLIER DO NOT CRIMP NIGHT KNICKEN NON PIEGARE 500-T10-25-PU-S



ISO / CD 17396	AT5	AT10
Teeth range (min-max)	60 - 400	25 - 194
Pitch length (mm)	300 - 2000	250 - 1940

\* available with steel or kevlar cords, consult us

STEIGENTECH NE PAS PLIER DO NOT CRIMP NIGHT KNICKEN NON PIEGARE 500-AT10-25-PU-S

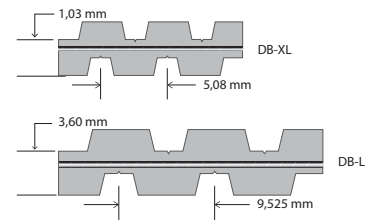
### MOULDED ENDLESS DUAL SIDED IMPERIAL CLASSICAL TRAPEZOIDAL TOOTH



ISO 5296	DB-XL	DB-L
Teeth range (min-max)	30 - 315	33 - 194
Pitch length (mm)	152,40 - 2540,0	314,33-1847,85

\* available with steel or kevlar cords, consult us

STEIGENTECH NE PAS PLIER DO NOT CRIMP NIGHT KNICKEN NON PIEGARE 225-DB-L-050-PU-S



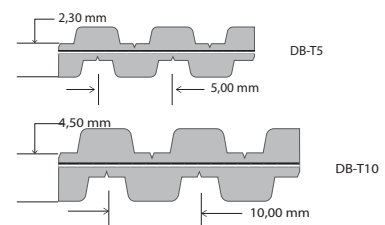
### MOULDED ENDLESS DUAL SIDED METRIC CLASSICAL TRAPEZOIDAL TOOTH



ISO 5296	DB-T5	DB-T10
Teeth range (min-max)	29 - 391	34 - 304
Pitch length (mm)	145 - 1955	340 - 3040

\* available with steel or kevlar cords, consult us

STEIGENTECH NE PAS PLIER DO NOT CRIMP NIGHT KNICKEN NON PIEGARE 500-DB-T10-25-PU-S



# SYNCHRONOUS BELTS

## POLYURETHANE BELTS

### MOULDED ENDLESS H-TYPE CURVILINEAR TOOTH



ISO 13050	H2M	H3M
Teeth range (min-max)	32 - 140	39 - 321
Pitch length (mm)	64 - 280	116 - 963

\* available with steel or kevlar cords, consult us

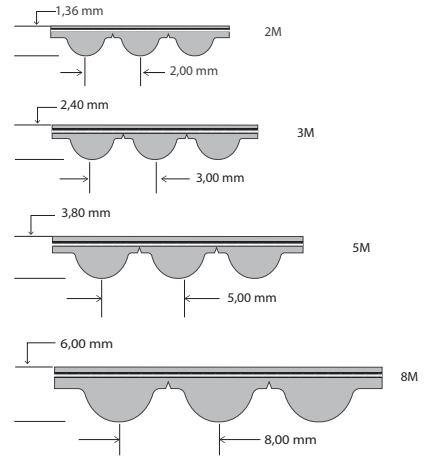
STEIGENTECH	NE PAS PLIER DO NOT CRIMP NIGHT KNICKEN NON PIEGARE	200-2M-6-PU-5
-------------	--	---------------



ISO 13050	H5M	H8M
Teeth range (min-max)	60 - 500	50 - 300
Pitch length (mm)	300 - 2500	400 - 2400

\* available with steel or kevlar cords, consult us

STEIGENTECH	NE PAS PLIER DO NOT CRIMP NIGHT KNICKEN NON PIEGARE	880-8M-30-PU-5
-------------	--	----------------



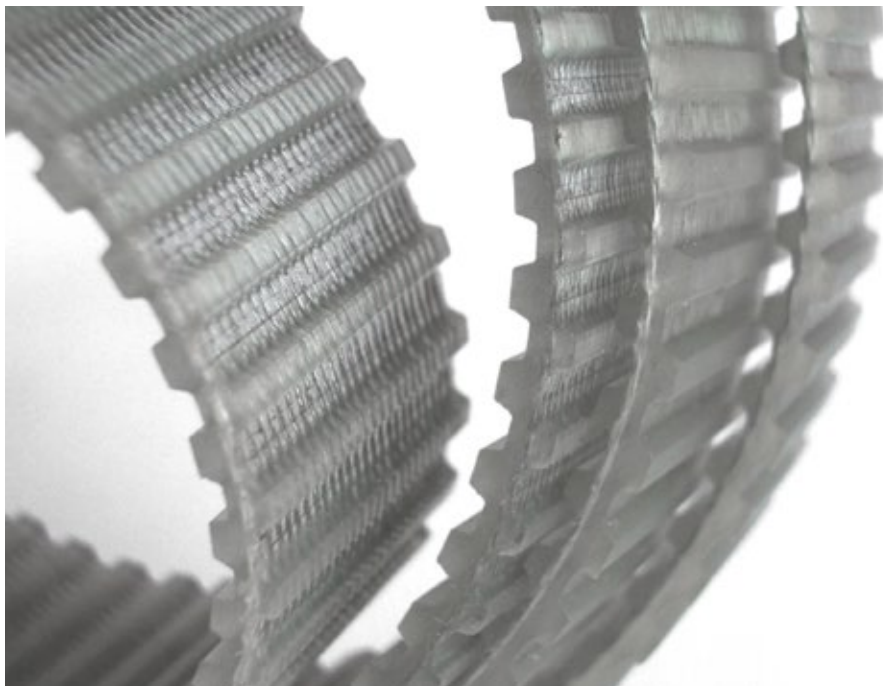
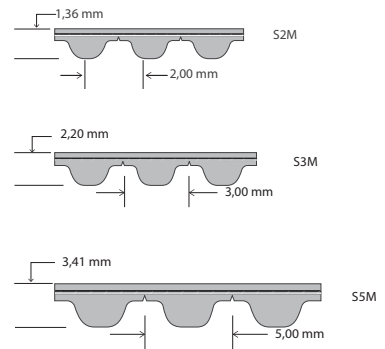
### MOULDED ENDLESS S-TYPE CURVILINEAR TOOTH



ISO 13050	S2M	S3M	S5M
Teeth range (min-max)	70 - 140	70 - 200	90 - 125
Pitch length (mm)	140 - 280	210 - 600	450 - 625

\* available with steel or kevlar cords, consult us

STEIGENTECH	NE PAS PLIER DO NOT CRIMP NIGHT KNICKEN NON PIEGARE	550-55M-15-PU-K
-------------	--	-----------------



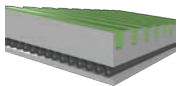
### EXTRUDED IMPERIAL CLASSICAL TRAPEZOIDAL TOOTH



OPENED



JOINED



ENDLESS

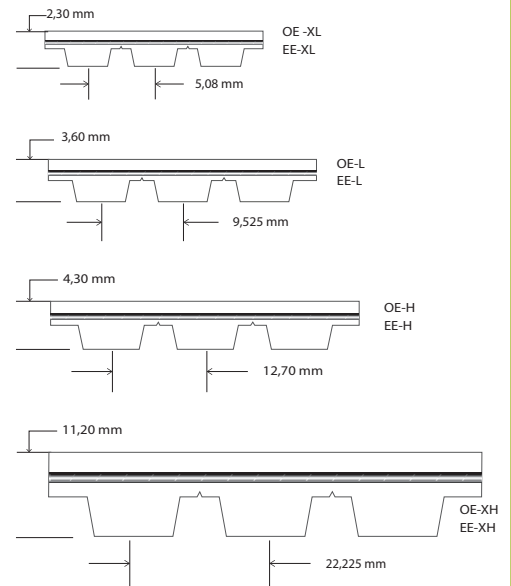
ISO 5296	OE-XL	OE-L	OE-H	OE-XH
Pitch (mm)	5.080	9.525	12.700	22.225
Height (mm)	1.27	1.9	2.29	6.35
Belt Thickness (mm)	2,3 +/- 0,3	3,6 +/- 0,3	4,3 +/- 0,3	11,2 +/- 0,3

STEIGENTECH NE PAS PLIER DO NOT CRIMP NIGHT KNICKEN NON PIEGARE 50-OE-L-050-PU-5



ISO 5296	EE-XL	EE-L	EE-H	EE-XH
Pitch (mm)	5.080	9.525	12.700	22.225
Height (mm)	1.27	1.9	2.29	6.35
Belt Thickness (mm)	2,3 +/- 0,3	3,6 +/- 0,3	4,3 +/- 0,3	11,2 +/- 0,3

STEIGENTECH NE PAS PLIER DO NOT CRIMP NIGHT KNICKEN NON PIEGARE 2250-EE-L-050-PU-5



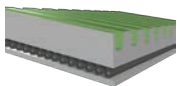
### EXTRUDED METRIC TRAPEZOIDAL TOOTH



OPENED



JOINED



ENDLESS

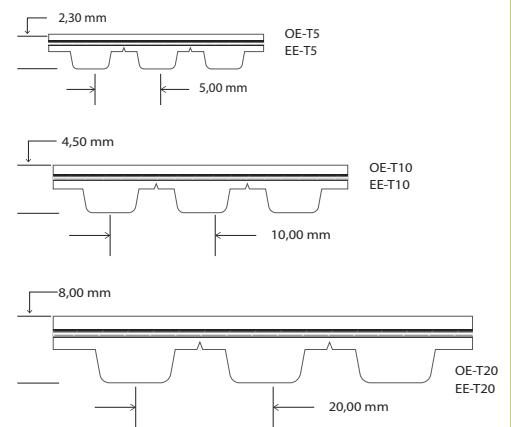
ISO / CD 17396	OE-T5	OE-T10	OE-T20
Pitch (mm)	5.0	10.0	20.0
Height (mm)	1.2	2.5	5.0
Belt Thickness (mm)	2,2 +/- 0,15	4,5 +/- 0,3	8 +/- 0,45

STEIGENTECH NE PAS PLIER DO NOT CRIMP NIGHT KNICKEN NON PIEGARE 50-OE-T10-5-25-PU-5



ISO / CD 17396	EE-T5	EE-T10	EE-T20
Pitch (mm)	5.0	10.0	20.0
Height (mm)	1.2	2.5	5.0
Belt Thickness (mm)	2,2 +/- 0,15	4,5 +/- 0,3	8 +/- 0,45

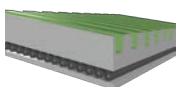
STEIGENTECH NE PAS PLIER DO NOT CRIMP NIGHT KNICKEN NON PIEGARE 2000-EE-T10-5-25-PU-5



OPENED



JOINED



ENDLESS

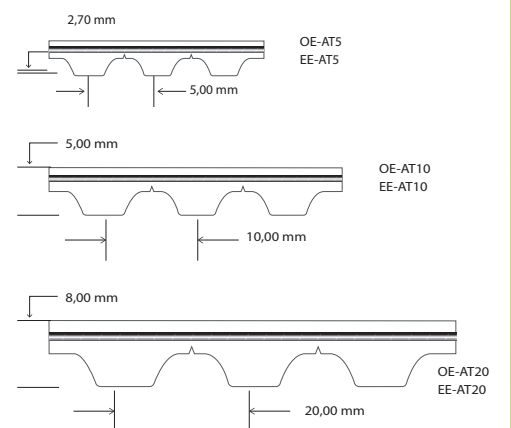
ISO 5296	OE-AT5	OE-AT10	OE-AT20
Pitch (mm)	5.0	10.0	20.0
Height (mm)	1.2	2.5	5.0
Belt Thickness (mm)	2,7 +/- 0,2	5,0 +/- 0,3	8,0 +/- 0,45

STEIGENTECH NE PAS PLIER DO NOT CRIMP NIGHT KNICKEN NON PIEGARE 50-OE-AT5-25-PU-5



ISO 5296	EE-AT5	EE-AT10	EE-AT20
Pitch (mm)	5.0	10.0	20.0
Height (mm)	1.2	2.5	5.0
Belt Thickness (mm)	2,7 +/- 0,2	5,0 +/- 0,3	8,0 +/- 0,45

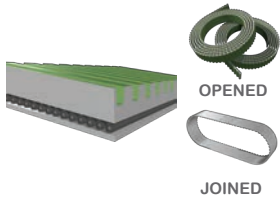
STEIGENTECH NE PAS PLIER DO NOT CRIMP NIGHT KNICKEN NON PIEGARE 3360-EE-AT5-75-PU-5



# SYNCHRONOUS BELTS

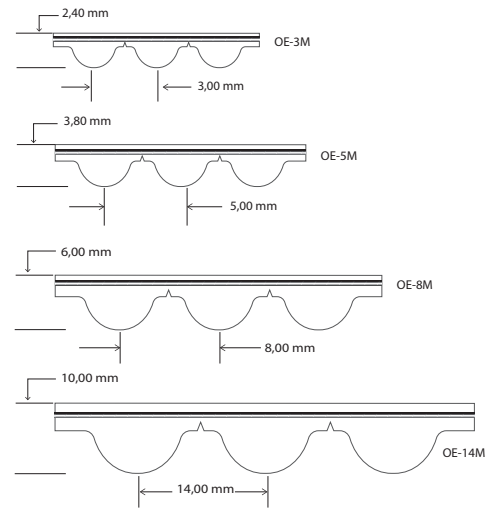
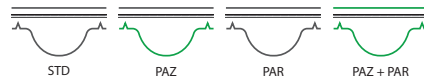
## POLYURETHANE BELTS

### EXTRUDED H-TYPE CURVILINEAR TOOTH

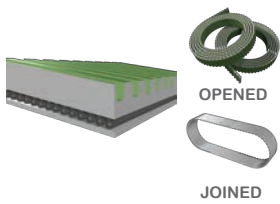


ISO 5296	OE-3M	OE-5M	OE-8M	OE-14M
Pitch (mm)	3.0	5.0	8.0	14.0
Height (mm)	1.17	2.06	3.38	6.02
Belt Thickness (mm)	2,4 +/- 0,2	3,6 +/- 0,2	5,6 +/- 0,3	10,0 +/- 0,45

STEIGENTECH NE PAS PLIER DO NOT CRIMP NIGHT KNICKEN NON PIEGARE 100-OE-5M-50-PU-S

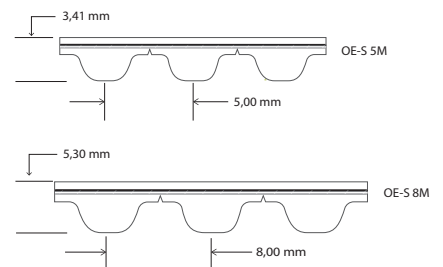
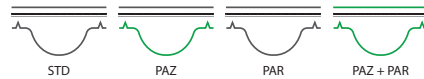


### EXTRUDED S-TYPE CURVILINEAR TOOTH

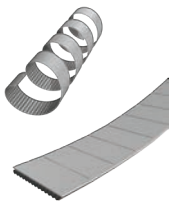


ISO 13050	OE-S5M	OE-S8M
Pitch (mm)	5.0	8.0
Height (mm)	3.25	5.20
Belt Thickness (mm)	3,4 +/- 0,2	5,3 +/- 0,3

STEIGENTECH NE PAS PLIER DO NOT CRIMP NIGHT KNICKEN NON PIEGARE 50-OE-S8M-100-PU-S

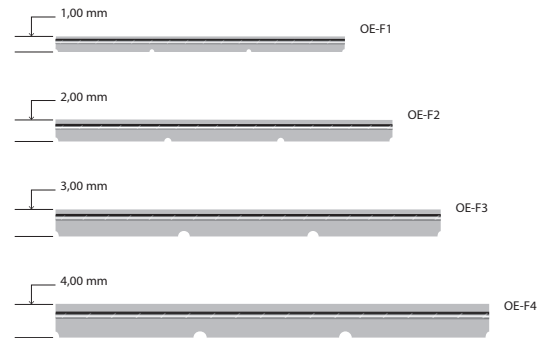


### EXTRUDED FLAT BELTS



ISO 5296	OE-F1	OE-F2	OE-F3	OE-F4
Belt Thickness (mm)	1,0 +/- 0,1	2,0 +/- 0,2	3,0 +/- 0,3	4,0 +/- 0,4

STEIGENTECH NE PAS PLIER DO NOT CRIMP NIGHT KNICKEN NON PIEGARE 100-OE-F4-75-PU-S

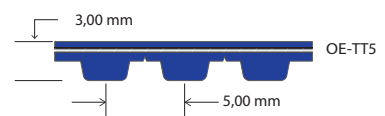


### EXTRUDED TT5 TOOTH



ISO 5296	OE-TT5
Pitch (mm)	5.0
Height (mm)	1.2
Belt Thickness (mm)	3,0 +/- 0,15

STEIGENTECH NE PAS PLIER DO NOT CRIMP NIGHT KNICKEN NON PIEGARE 100-OE-TT5-25-PU-S

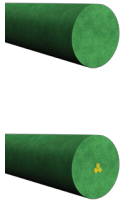




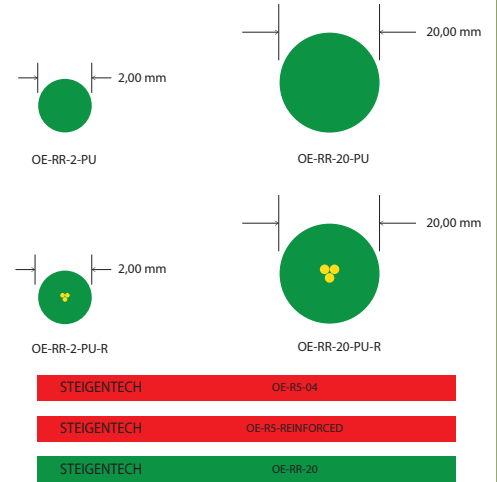
# EXTRUDED THERMOWELDABLE BELTS

## POLYURETHANE BELTS

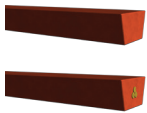
### ROUND BELT ROUGH AND SMOOTH



Diameter (mm)	Cross Section (cm <sup>2</sup> )	Belt Weight / meter (kg/100m)	Standard Roll (m)	Min Diameter (mm)	Traction Force (daN)
02	0,032	0,5	400	19	1,0
03	0,071	0,9	400	25	2,0
04	0,126	1,6	200	35	4,0
05	0,197	2,4	200	50	7,0
06	0,283	3,4	200	60	10,2
07	0,385	4,7	100	70	13,8
08	0,500	6,0	100	80	18,0
09	0,700	8,2	100	90	22,0
10	0,785	9,4	50	100	28,0
12	1,130	13,5	30	120	40,0
15	1,770	21,5	30	150	63,5
18	2,540	31,0	30	175	90,0
20	3,140	40,0	30	185	110,0



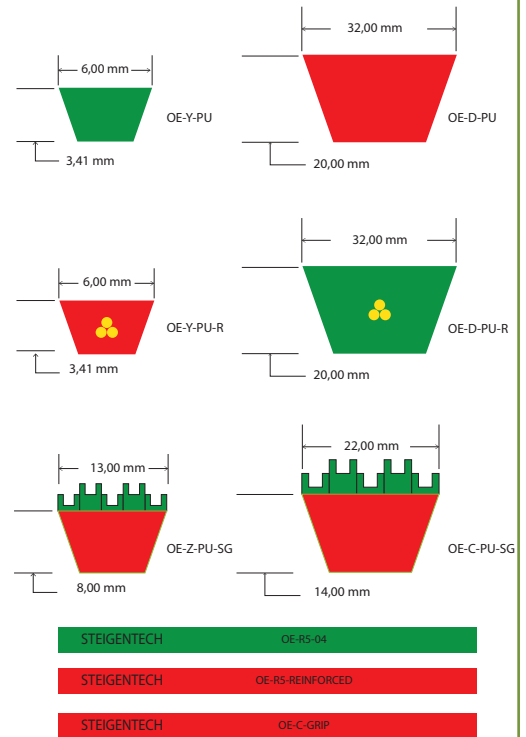
### V-BELT AND V-BELT COATED



Section	Dimension (mm)	Cross Section (cm <sup>2</sup> )	Belt Weight per meter (kg/100m)	Standard Roll (m)
Y	6 x 4	0,19	2,5	50
M	8 x 5	0,32	4,0	50
Z	10 x 6	0,48	6,0	50
A	13 x 8	0,82	10,0	30
B	17 x 11	1,46	18,0	30
C	22 x 14	2,40	30,0	30
D	32 x 20	5,00	65,0	30

Section	Min Diameter (mm)	Traction Force (daN)	Coating Option
Y	50	6,0	-
M	60	9,5	-
Z	70	14,5	-
A	90	24,5	Grip *
B	120	44,0	Grip *
C	160	73,0	Grip *
D	230	160,0	-

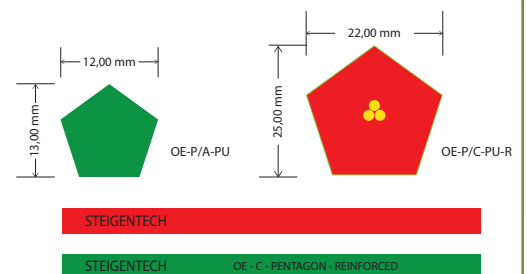
\* many various coating, consult us



### PENTAGON V-BELT



Section	Dimension (mm)	Cross Section (cm <sup>2</sup> )	Belt Weight per meter (kg/100m)	Standard Roll (m)	Traction Force (daN)
A	0,032	1,40	400	400	76,00
B	0,071	2,15	400	400	132,00
C	0,126	3,65	200	200	180,00





# SteigenTech<sup>®</sup> products are intended for specialist trading only.

The content of this publication is provided for information only and without responsibility, it is subjected to corrections.

SteigenTech<sup>®</sup> obligations and responsibilities regarding its products are governed solely by the agreement under which they are sold.

Unless otherwise agreed in writing, the information contained herein does not become part of these agreements.

This publication does not contain any guarantee or agreed quality of SteigenTech<sup>®</sup> products or any warranty of merchantability, fitness for a particular purpose and non-infringement.

SteigenTech<sup>®</sup> may make changes in the products or services described at any time without notice.

SteigenTech<sup>®</sup> is not liable for any direct, indirect, incidental, consequential or punitive damages, arising out of the use of this publication.

This publication is provided on an «as is» basis. To the extent permitted by law, SteigenTech<sup>®</sup> makes no warranty, express or implied, and assumes no liability in connection with the use of information contained in this publication.

## **Application exclusions :**

For safety reasons, SteigenTech<sup>®</sup> belts may not be designed into, applied on, or sold as replacements for any of the following applications :

- Aircraft (propeller or rotor) drive systems or any inflight accessory system drives.
- Any type of lift system for personnel or product that relies solely on the belt for support without an appropriate fail safe type of backup support system(s).

**Copyright © 2015 SteigenTech<sup>®</sup>. All rights reserved**

**Reproduction strictly forbidden.**

**Any infringement will be prosecuted under the copyright act law.**

STEIGENTECH EUROPE

1 rue de la Haye - LE DÔME

BP12910 - 95731 PARIS ROISSY CDG CEDEX - FRANCE

Phone : +33 (0)1 49 19 49 43

Email : [info@steigentech.com](mailto:info@steigentech.com)

[www.steigentech.com](http://www.steigentech.com)

STEIGENTECH GERMANY

Richtbergstrasse 9

97493 BERGRHEINFELD - GERMANY

Phone : +49 (9721) 479899-0

Email : [info@steigentech.de](mailto:info@steigentech.de)

[www.steigentech.de](http://www.steigentech.de)

STEIGENTECH DRIVE PARTS DIRECT

Unit 2, Farthing Road, Industrial Estate, Sproughton

IPSWICH SUFFOLK IP1 5AP - UNITED KINGDOM

Phone : +44 (0) 1473 740485

Email : [sales@drivepartsdirect.com](mailto:sales@drivepartsdirect.com)

[www.drivepartsdirect.com](http://www.drivepartsdirect.com)

STEIGENTECH IBERICA

Rua Dr. Eduardo Santos Silva, 261 BJ2

4200-283 Porto - PORTUGAL

Phone : +351 220 942 672

Email : [sales.iberia@steigentech.com](mailto:sales.iberia@steigentech.com)

[www.steigentech.pt](http://www.steigentech.pt)

