

Third Function Valve Kit

#380-152A & #380-336A Installation Instructions



Manual No. 380-153M

For L2501, L3301 & L3901 Kubota Tractors with LA525 Loader
For L3200 & L3800 Kubota Tractors with LA524 Loader
For L4600 Kubota Tractor with LA764 Loader
For L4701 Kubota Tractor with LA765 Loader

Before You Start



When you see this symbol, the subsequent instructions and warnings are serious - follow without exception. Your life and the lives of others depend on it!

California Proposition 65



WARNING: Cancer and reproductive harm.
www.P65Warnings.ca.gov

IMPORTANT: Before you begin, thoroughly read these instructions and check to be sure all parts are accounted for. Please retain these installation instructions for future reference and parts ordering information.

General Information

Your Third Function Valve Kit has been designed specifically for the Kubota tractor series equipped with a front loader. These assembly instructions apply to the Third Function Valve Kit Accessories listed below:

- **380-152A: 3FVK PC L4701** page 2
- **380-336A: 3FVK FF L4701** page 2

Further Assistance

Your Land Pride dealer wants you to be satisfied with your new Third Function Valve Kit. If for any reason you do not understand any part of this manual or are not satisfied with the service received, the following actions are suggested:

1. Discuss any problems you have with your Third Function Valve Kit with your dealership service personnel so they can address the problem.
2. If you are still not satisfied, seek out the owner or general manager of the dealership, explain the question/problem, and request assistance.
3. For further assistance write to:

Land Pride Service Department
1525 East North Street

P.O. Box 5060
Salina, Ks. 67402-5060

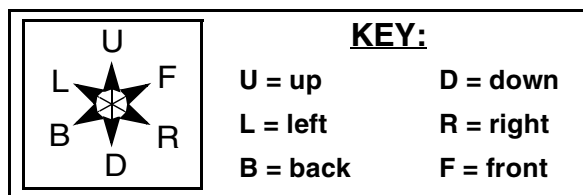
E-mail address
lp servicedept@landpride.com

Assembly Instructions

A detailed listing of parts for your cab tractor's 3rd Function Valve Kit is provided on page 8 for kits using pioneer couplers, and page 10 for kits using flat faced couplers. Use the list that is for your specific Third Function Valve Kit as a checklist to inventory parts received. Please contact your local Land Pride dealer for any missing hardware.

Direction Reference

All directional references are made from the operator seat while facing the direction the machine will operate.



Directional Arrows Used in Illustrations

Initial Preparations



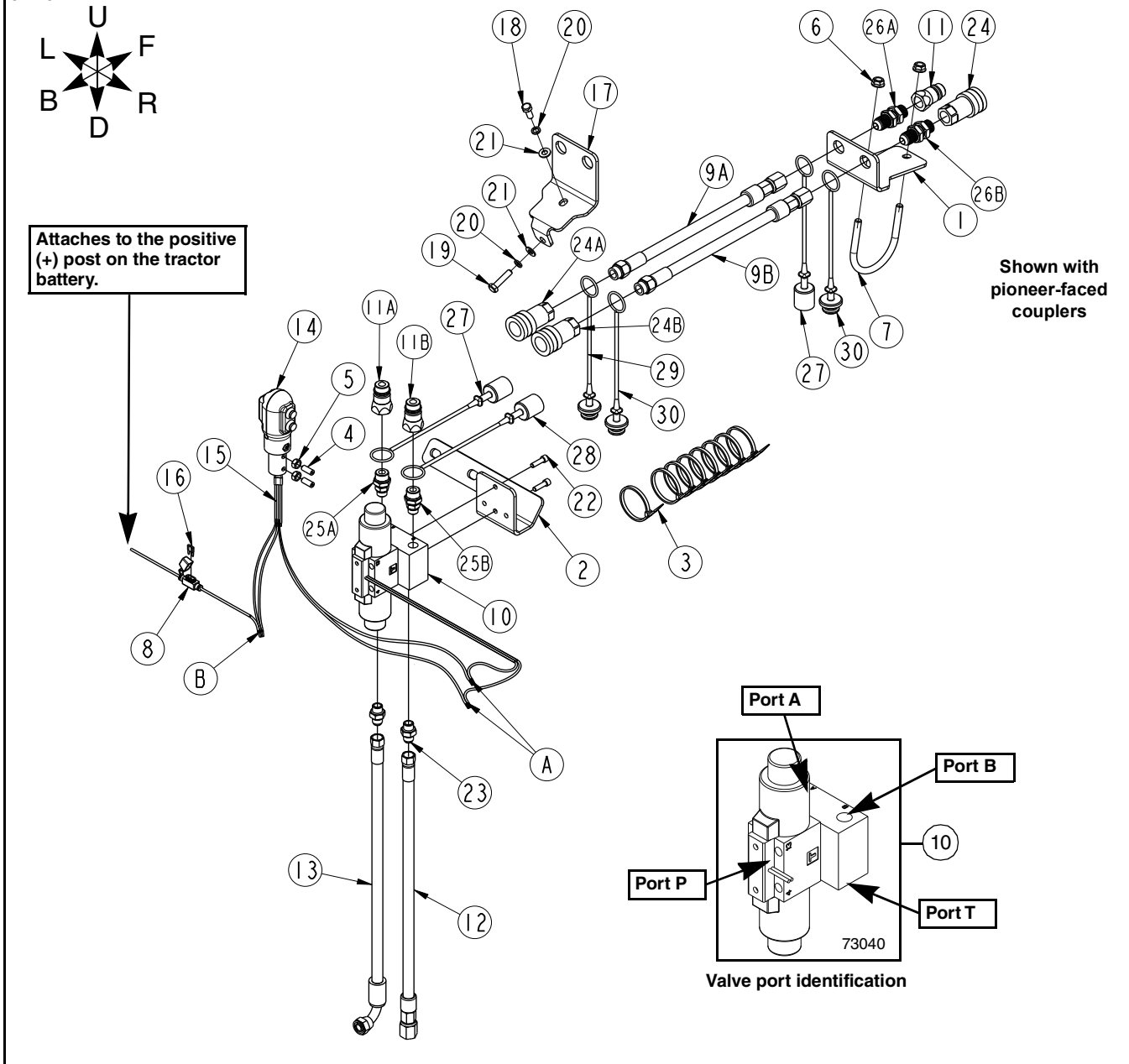
WARNING

To avoid serious injury or death: Hydraulic fluid under high pressure can penetrate the skin and/or eyes causing a serious injury. Wear protective gloves and safety glasses or goggles when working with hydraulic systems.

The steps listed below must be followed before installing this kit:

1. Reduce engine speed. Park tractor and attachment on solid, level ground.
2. Unhook the attachment from the loader arms, back away from attachment several feet, and lower loader arms until they are fully down.
3. Put tractor in park or set park brake, turn off engine, and remove ignition key to prevent unauthorized starting.
4. Relieve all hydraulic pressure to auxiliary hydraulic lines.
5. Wait for all components to come to a complete stop before leaving the operator's seat.
6. Use steps, grab-handles and anti-slip surfaces when stepping on and off the tractor.
7. As a safety precaution, disconnect the negative battery cable from battery terminal. Move cable away from terminal to avoid accidental contact.

37118



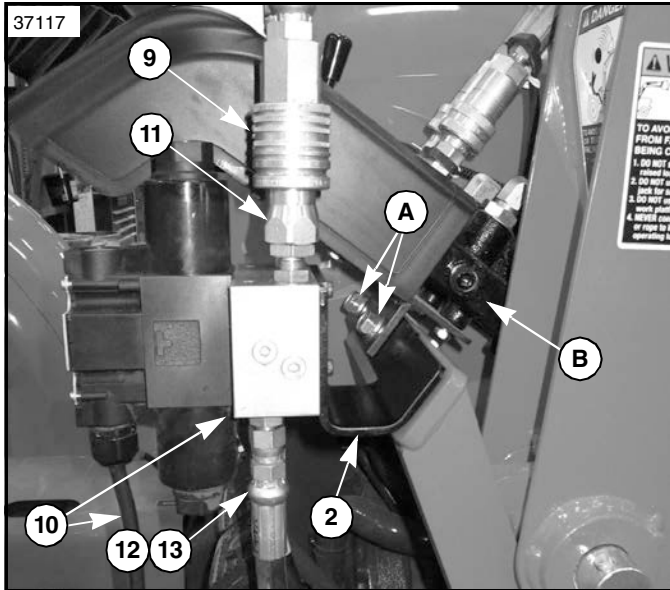
B3300/LA504 Third Function Valve Kit for Kubota Cab Tractor

Figure 1

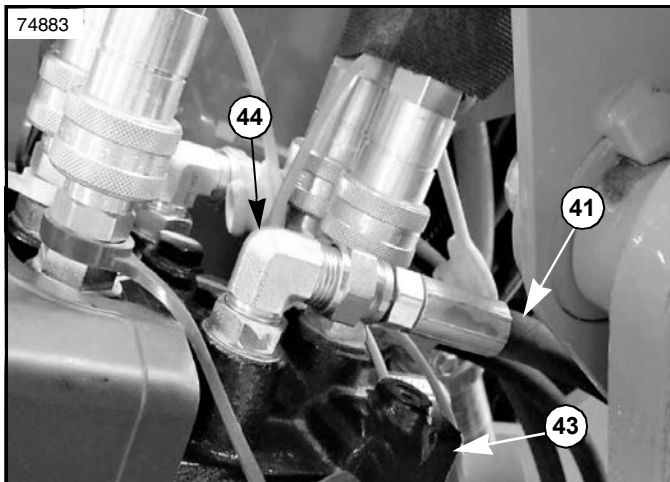
Valve Mount & Valve Assembly

Refer to Figure 1 & Figure 2 on page 3:

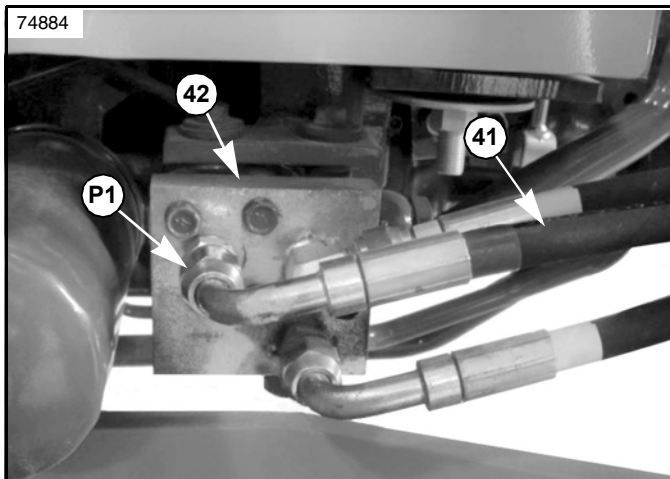
1. Remove hardware "A" used to mount the tractor's loader control valve assembly "B".
2. Bolt the mount bracket (#2) under the tractor's loader control valve assembly "B".
3. Reinstall hardware "A" removed in step 1 to secure bracket as shown. Tighten hardware to the correct torque.
4. Attach the valve (#10) to the valve mount bracket (#2) using 1/4" x 7/8" bolts (#22).
5. Attach 35" long hose with elbow (#13) to "P" port in valve (#10) using adapter (#23).
6. Attach 35" long hose (#12) to "T" port using adapter (#23).
7. Install adapter (#25A) and black dust cap (#27) to "A" port in valve. Attach quick coupler (#11A) to adapter (#25A).
8. Install adapter (#25B) and green dust cap (#28) to "B" port. Attach quick coupler (#11B) to adapter (#25B).
9. Route hydraulic hoses (#12 & #13) under the tractor's platform and back towards the rear of the tractor.



Valve Location
Figure 2



Loader Valve
Figure 3



Outlet Block (#42) located under tractor platform
Figure 4

Connect to Power Beyond Ports

Refer to Figure 3 & Figure 4:

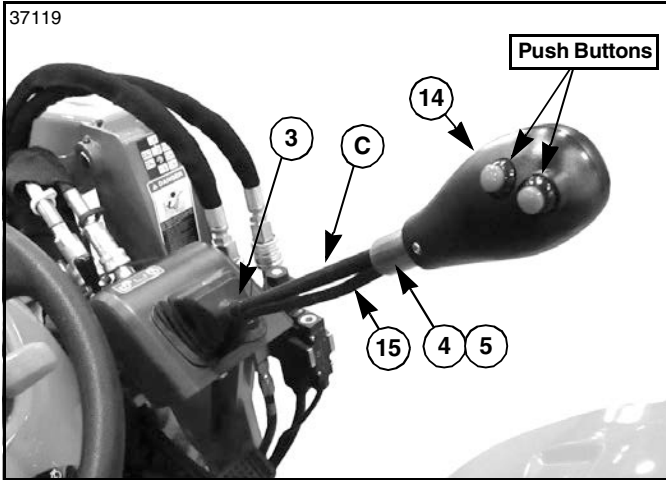
IMPORTANT: Land Pride recommends that your dealer connect hydraulic hoses (#12 & #13) to your tractor's power beyond port and loader valve port. Improper hook-up could cause damage to your tractor.

IMPORTANT: DO NOT connect hydraulic hoses (#12 & #13) to the loader valve and power beyond port if the outer block feeds equipment mounted on the back of the tractor such as a backhoe. The instructions below do not apply in this situation. Have your nearest dealer hook-up these hoses. Improper hook-up can damage your tractor.

1. Locate and remove green line hydraulic hose (#41) that connects power beyond port "P1" to elbow (#44) located on loader valve (#43).

Refer to Figure 1 on page 2, Figure 3, & Figure 4:

2. Connect hydraulic hose (#13) from "P" port to port "P1" in outlet block (#42). Tighten the hose to the port.
3. Connect hydraulic hose (#12) from "T" port to elbow (#44). Tighten hose to the elbow.
4. Secure hoses (#12 & #13) to tractor as needed with cable ties (#3).
5. Check tractor hydraulic fluid level. If low, add recommended hydraulic fluid. Refer to your tractor Operator's Manual for recommended hydraulic fluid and procedure for checking hydraulic fluid level.



Control Lever Assembly
Figure 5

Control Lever Assembly

Refer to Figure 1 on page 2 & Figure 5:

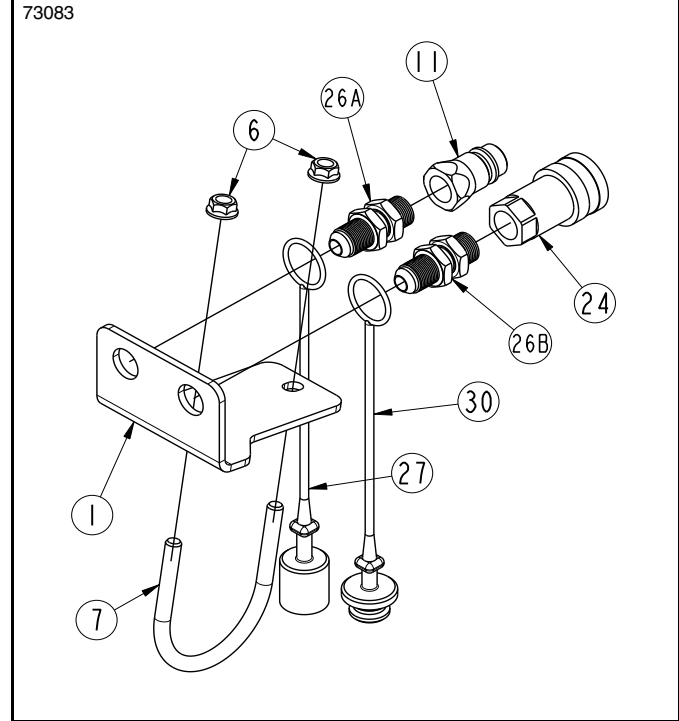
1. Remove existing knob (not shown) from end of control lever "C".
2. Install new control handle (#14) over end of control lever "C" with push buttons facing operator as shown.
3. Tighten set screws (#4) against control lever "C". Tighten jam nuts (#5) to secure set screws (#4).

Refer to Figure 1 on page 2:

4. **Reference Wire Connections "A"**: Connect one black wire in harness (#15) to one black wire in harness (#10) and the other black wire in harness (#15) to one white wire in harness (#10).
5. **Reference Wire Connection "B"**: Connect the two red wires from the control handle (#14) to one end of wire (#8) with fuse holder (#16). Connect opposite end of wire (#8) to the positive (+) post on the tractor battery.
6. Reconnect disconnected negative battery cable to the negative (-) battery post.

Refer to Figure 3:

7. Secure wiring with cable ties (#3) as needed.

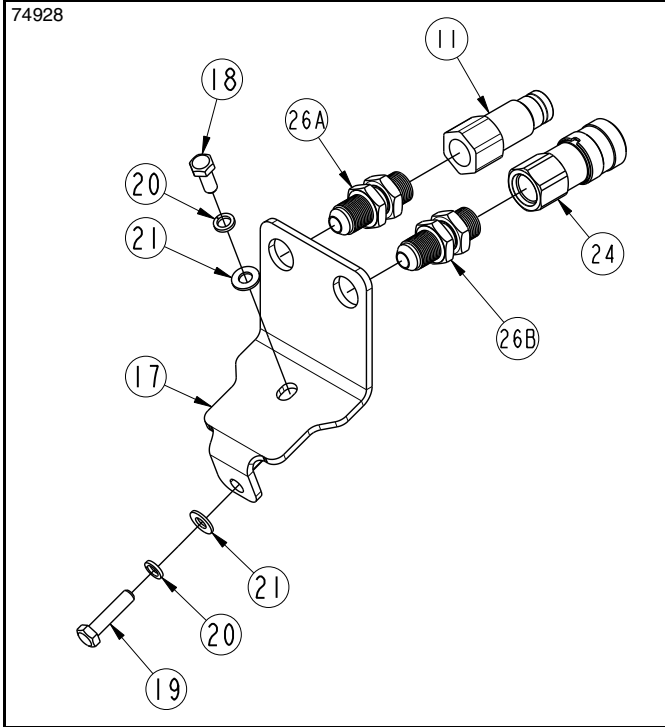


Bulkhead Mount shown with Pioneer Couplers
Figure 6

Bulkhead Mount Assembly For L2501, L3301, L3901, L3200 & L3000 Tractors

Refer to Figure 6:

1. Attach bulkhead fittings (#26) to bulkhead mount (#1). Tighten bulkhead locknuts to bulkhead mount.
2. When installing the kit with pioneer couplers, slide black dust cap (#27) on bulkhead fitting (A), and green dust plug (#30) onto bulkhead fitting (B).
3. Attach pioneer female coupler (#24) to the bulkhead fitting (#26B). Tighten and secure coupler to bulkhead fitting.
4. Attach pioneer male coupler (#11) to the bulkhead fitting (#26A). Tighten and secure coupler to bulkhead fitting.

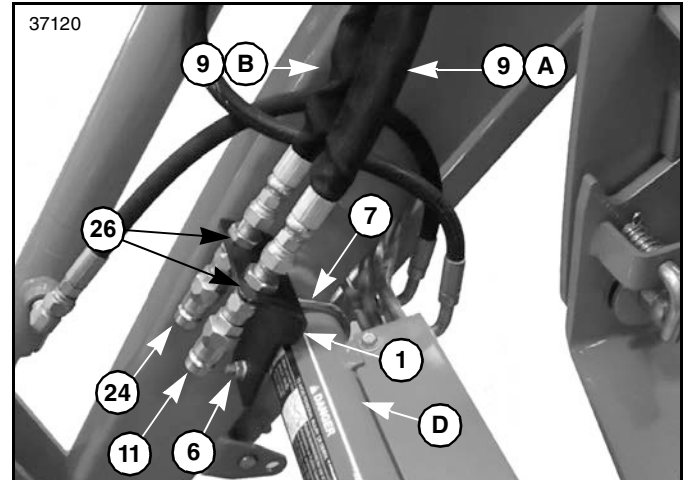


Bulkhead Mount shown with Flat Faced Couplers
Figure 7

Bulkhead Mount Assembly For L4600 & L4701 Tractors

Refer to Figure 7:

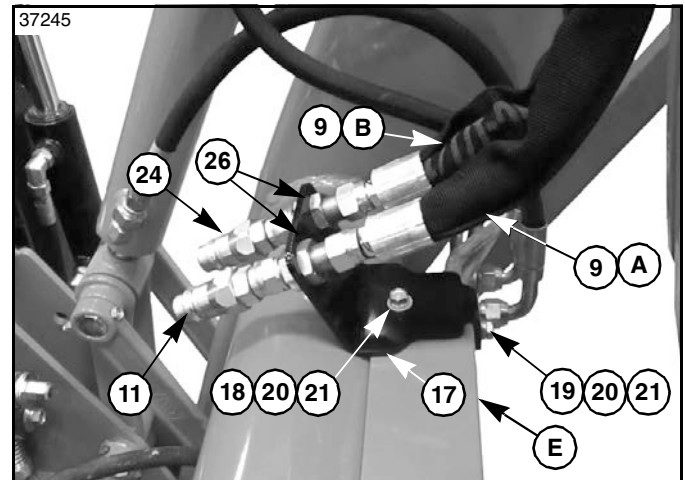
1. Attach bulkhead fittings (#26) to bulkhead mount (#17). Tighten bulkhead locknuts to bulkhead mount.
2. Attach flat face female coupler (#24) to the bulkhead fitting (#26B). Tighten and secure coupler to bulkhead fitting.
1. Attach flat face male coupler (#11) to the bulkhead fitting (#26A). Tighten and secure coupler to bulkhead fitting.



Cross Beam Mount Assembly
Figure 8

Cross Beam Mount For L2501, L3301, L3901, L3200, & L3800 Tractors

1. Orient bulk head mount (#1) as shown and attach it to right-hand side of loader crossbeam "D" with u-bolt (#7) and hex whiz nuts (#6). Tighten hex whiz nuts to the proper torque.

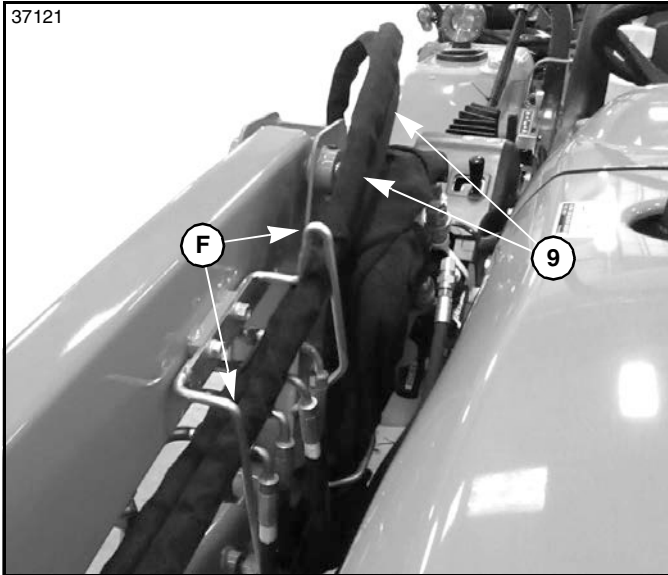


Cross Beam Mount Assembly
Figure 9

Cross Beam Mount For L4600, & L4701 Tractors

Refer to Figure 1 on page 2 & Figure 9:

1. Remove existing top and top rear hardware (#18 & #19) from the right-hand side of loader cross tube "E".
2. Orient as shown and attach bulk head mount (#17) to right-hand side of loader cross tube "E" with new W8-1.25 x 35 bolt (#19) and new W8-1.25 x 20 bolt (#18), lock washers (#20) and flat washer (#21). Tighten bolts (#18 & #19) to the proper torque.
3. Attach hoses (#9) to bulkhead fittings (#26).



Loader Hose Loop Bracket
Figure 10

Hydraulic Hose Routing

Refer to Figure 1 on page 2, Figure 8, & Figure 9 on page 5, & Figure 10:

1. Route hoses (#9) along loader arm and through loader hose loop bracket "F" to the third function valve (#10).
2. Slide black dust plug (#29) on free end of hose (#9A) and connect female coupler (#24) to the hose.
3. Slide green dust plug (#30) on free end of hose (#9B) and connect female coupler (#24) to the hose.
4. Connect (#9A) hose to quick coupler (#11) in port "A" on valve block (#10).
5. Connect (#9B) hose to quick coupler (#11) in port "B" on valve block (#10).
6. Secure hydraulic hoses (#9) as needed with cable ties (#3).

Check Operating and Fluid Level

The Third Function Valve is now ready to be used with a multitude of attachments. Be sure to familiarize yourself with a complete understanding of how to operate the Third Function Valve Kit.

DANGER

To avoid serious injury or death:

Do not allow bystanders to be near the attachment, loader arms, or tractor during operation. They can become entangled, pinched, or crushed by the equipment. Disconnect and lockout power source before making adjustments or servicing tractor and attachment.

1. Hook attachment to the tractor front loader and couple hydraulic hoses to the bulkhead couplers at the front of the loader.
2. Raise attachment off the ground and operate the third function hydraulics using the push-buttons on the newly installed control handle.
 - The top red button switch will actuate the attachment in one direction.
 - The bottom red button switch will actuate the attachment in the opposite direction.
3. **Refer to Figure 1 on page 2:** Switch hoses (#9) at couplers (#11) if the attachment's hydraulic cylinder(s) operate in the opposite direction intended.

IMPORTANT: Refer to your tractor Operator's Manual for recommended hydraulic fluid and procedure for checking hydraulic fluid level.

4. Once hoses and cylinder(s) are full of hydraulic fluid, check tractor hydraulic fluid level.
5. If low, add recommended hydraulic fluid.

Relieve Hydraulic System Pressure

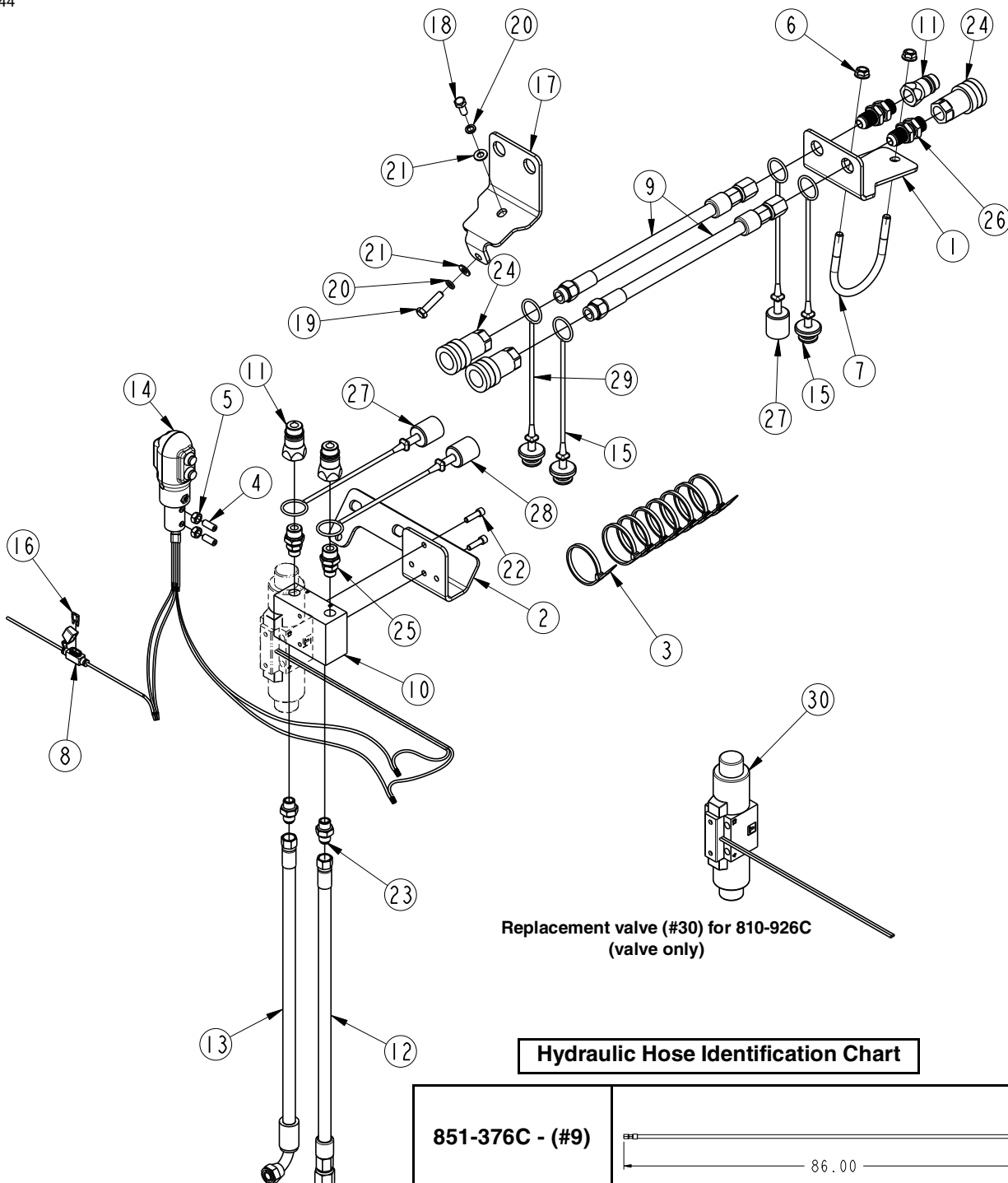
Be sure to lower the attachment to the ground and to relieve all hydraulic pressure to the attachment before leaving the tractor seat. Relieve hydraulic pressure to the attachment as follows:

1. Turn tractor switch key to off.

Press and hold both red buttons down on the control handle until all movement at the attachment stops.

This page left blank intentionally.

73144



Replacement valve (#30) for 810-926C
(valve only)

Hydraulic Hose Identification Chart

<p>851-376C - (#9)</p>	<p>86.00</p>
<p>841-331C - (#12)</p>	<p>35.00</p>
<p>851-490C - (#13)</p>	<p>35.00</p>

73086

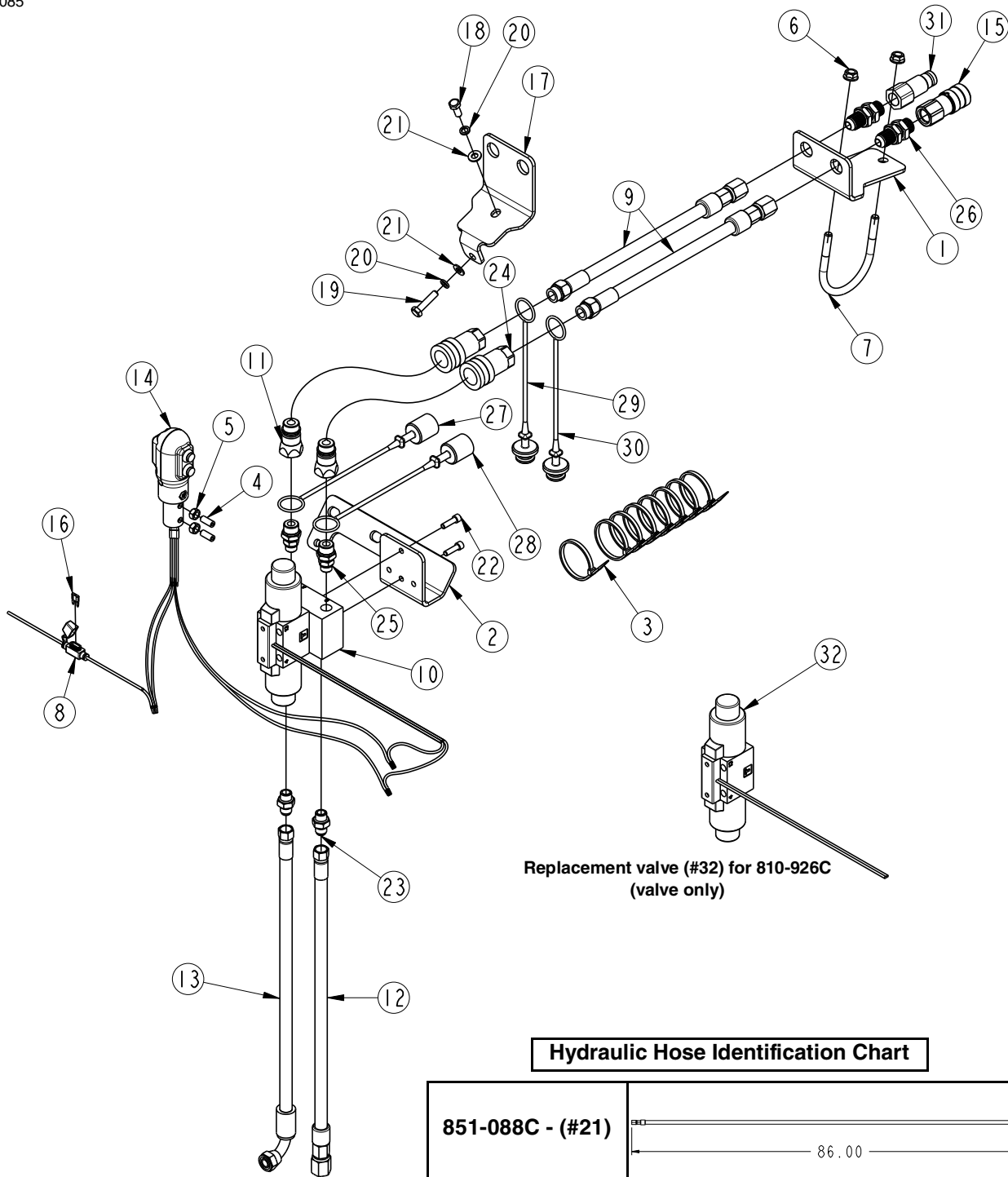
Third Function Valve Kit for Cab Tractor
Figure 11



Kit No. 380-152A B3300 THIRD FUNCTION VALVE KIT
(Equipped with pioneer couplers)

Item	Part No.	Description	Qty
1	380-164D	PLATE, BLKHD MOUNT	1
2	380-234D	BRKT, VALVE MOUNT	1
3	800-112C	CABLE TIE .19X7.25 1.75D 50LB	8
4	801-204C	SCREW SET SCKT HD 5/16-18X3/4	2
5	803-008C	NUT HEX 5/16-18 PLT	2
6	803-198C	NUT HEX WHIZ 3/8-16 PLT	2
7	806-261C	U-BOLT 3/8-16X3X3 5/8 RND.	1
8	833-650C	BLADE FUSE HOLDER, MINI	1
9	851-376C	HH3/8R2 086 3/4FJIC 3/4MORB.	2
10	810-926C	VALVE, THIRD FUNCTION	1
11	811-394C	CP 3/4FORB MALE QD POPPET TYPE.	3
12	841-331C	HH3/8R2 035 3/4FJIC 9/16FJIC.	1
13	851-490C	HH3/8R2 035 3/4FJIC90 9/16FJIC.	1
14	380-165S	ASY, PUSH BUTTON CNTRL HNDL.	1
15	861-542C	GREEN DUST PLUG, 1/2" QD AG	2
16	833-495C	FUSE, 10 AMP MINI BLADE.	1
17	380-255D	PLATE, BLKHD MOUNT	1
18	802-314C	HHCS M8X1.25X20 GR8.8	1
19	802-967C	HHCS M8X1.25X35 GR8.8	1
20	804-157C	WASHER SPRING LOCK M8 PLT	2
21	804-161C	WASHER FLAT M8 PLT	2
22	802-418C	HSHCS 1/4-20X7/8.	2
23	811-170C	AD 9/16MORB 9/16MJIC	2
24	811-870C	CP 3/4FORB QD FEMALE (POPPET)	3
25	851-084C	AD 9/16MORB 3/4MORB	2
26	851-344C	AD 3/4MJIC 3/4MORB BLKHD W/ LN.	2
27	861-539C	BLACK DUST CAP, 1/2" QD AG	2
28	861-540C	GREEN DUST CAP, 1/2" QD AG.	1
29	861-541C	BLACK DUST PLUG, 1/2" QD AG.	1
30	850-472C	HYDRO-TEK VALVE REPLACEMENT (Includes valve without manifold)	1

73085



Replacement valve (#32) for 810-926C
(valve only)

Hydraulic Hose Identification Chart

<p>851-088C - (#21)</p>	<p>86.00</p>
<p>811-253C - (#13)</p>	<p>35.00</p>
<p>841-563C - (#18)</p>	<p>35.00</p>

73086

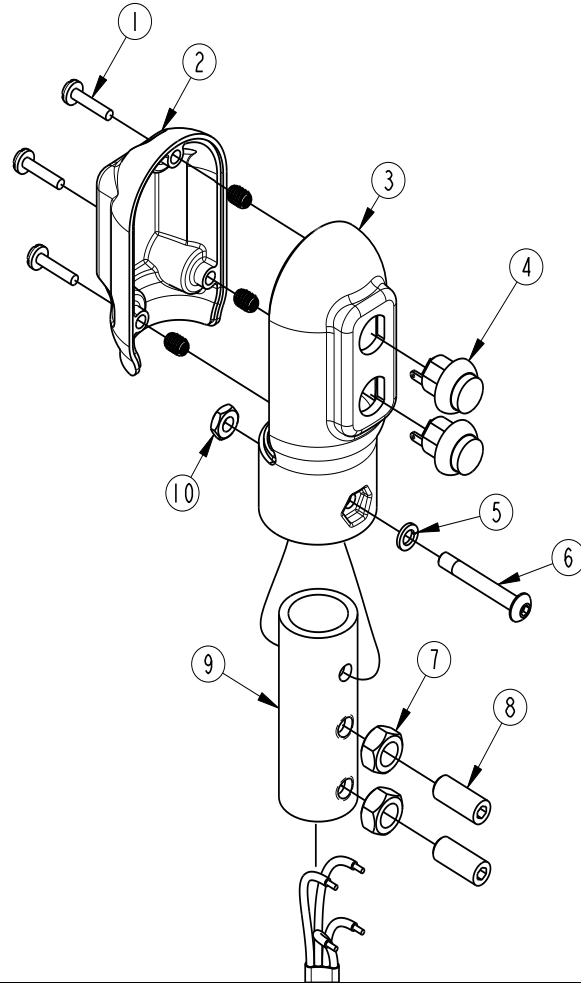
Third Function Valve Kit for Cab Tractor
Figure 12



**Kit No. 380-336A B3300 THIRD FUNCTION VALVE KIT
(Equipped with flat-faced couplers)**

Item	Part No.	Description	Qty
1	380-164D	PLATE, BLKHD MOUNT	1
2	380-234D	BRKT, VALVE MOUNT	1
3	800-112C	CABLE TIE .19X7.25 1.75D 50LB	8
4	801-204C	SCREW SET SCKT HD 5/16-18X3/4	2
5	803-008C	NUT HEX 5/16-18 PLT	2
6	803-198C	NUT HEX WHIZ 3/8-16 PLT	2
7	806-261C	U-BOLT 3/8-16X3X3 5/8 RND.	1
8	833-650C	BLADE FUSE HOLDER, MINI	1
9	851-376C	HH3/8R2 086 3/4FJIC 3/4MORB.	2
10	810-926C	VALVE, THIRD FUNCTION	1
11	811-394C	CP 3/4FORB MALE QD POPPET TYPE.	3
12	841-331C	HH3/8R2 035 3/4FJIC 9/16FJIC.	1
13	851-490C	HH3/8R2 035 3/4FJIC90 9/16FJIC.	1
14	380-165S	ASY, PUSH BUTTON CNTRL HNDL.	1
15	861-543C	CP 3/4FORB QD FML FLATFACE	1
16	833-495C	FUSE, 10 AMP MINI BLADE.	1
17	380-255D	PLATE, BLKHD MOUNT	1
18	802-314C	HHCS M8X1.25X20 GR8.8	1
19	802-967C	HHCS M8X1.25X35 GR8.8	1
20	804-157C	WASHER SPRING LOCK M8 PLT	2
21	804-161C	WASHER FLAT M8 PLT	2
22	802-418C	HSHCS 1/4-20X7/8.	2
23	811-170C	AD 9/16MORB 9/16MJIC	2
24	811-870C	CP 3/4FORB QD FEMALE (POPPET)	3
25	851-084C	AD 9/16MORB 3/4MORB	2
26	851-344C	AD 3/4MJIC 3/4MORB BLKHD W/ LN.	2
27	861-539C	BLACK DUST CAP, 1/2" QD AG	2
28	861-540C	GREEN DUST CAP, 1/2" QD AG.	1
29	861-541C	BLACK DUST PLUG, 1/2" QD AG.	1
30	861-542C	GREEN DUST PLUG, 1/2" QD AG	2
31	841-099C	CP 3/4FORB QD FLATFACE	1
32	850-472C	HYDRO-TEK VALVE REPLACEMENT (Includes valve without manifold)	1

73015



Control Handle
Figure 13

380-165S Push Button Control Handle

Item	Part No.	Description	Qty
1	801-091C	CRPHMS 6-32X5/8 SS	3
2	837-053C	COVER, PUSH BUTTON CNTRL HNDL	1
3	837-054C	BASE, PUSH BUTTON CNTRL HNDL	1
4	833-739C	SWITCH, P9 PB NO SPST MOM RED	2
5	804-054C	WASHER LOCK #10	1
6	801-250C	HSBHCS #10-32X1 3/8	1
7	803-008C	NUT HEX 5/16-18 PLT	2
8	801-204C	SCREW SET SCKT HD 5/16-18X3/4	2
9	380-225D	MOUNT TUBE, CONTROL STICK	1
10	803-269C	NUT HEX 10-32 PLT	1spa

This page left blank intentionally.



Corporate Office: P.O. Box 5060
Salina, Kansas 67402-5060 USA
www.landpride.com
