

Idaho Department of Parks and Recreation & National Park Service

FOR REFERENCE ONLY

Thousand Springs Visitor Center  
Hagerman, ID



THOUSAND SPRINGS VISITOR CENTER INTERPRETIVE EXHIBITS

**Final Design @ 100%**

August 23, 2021

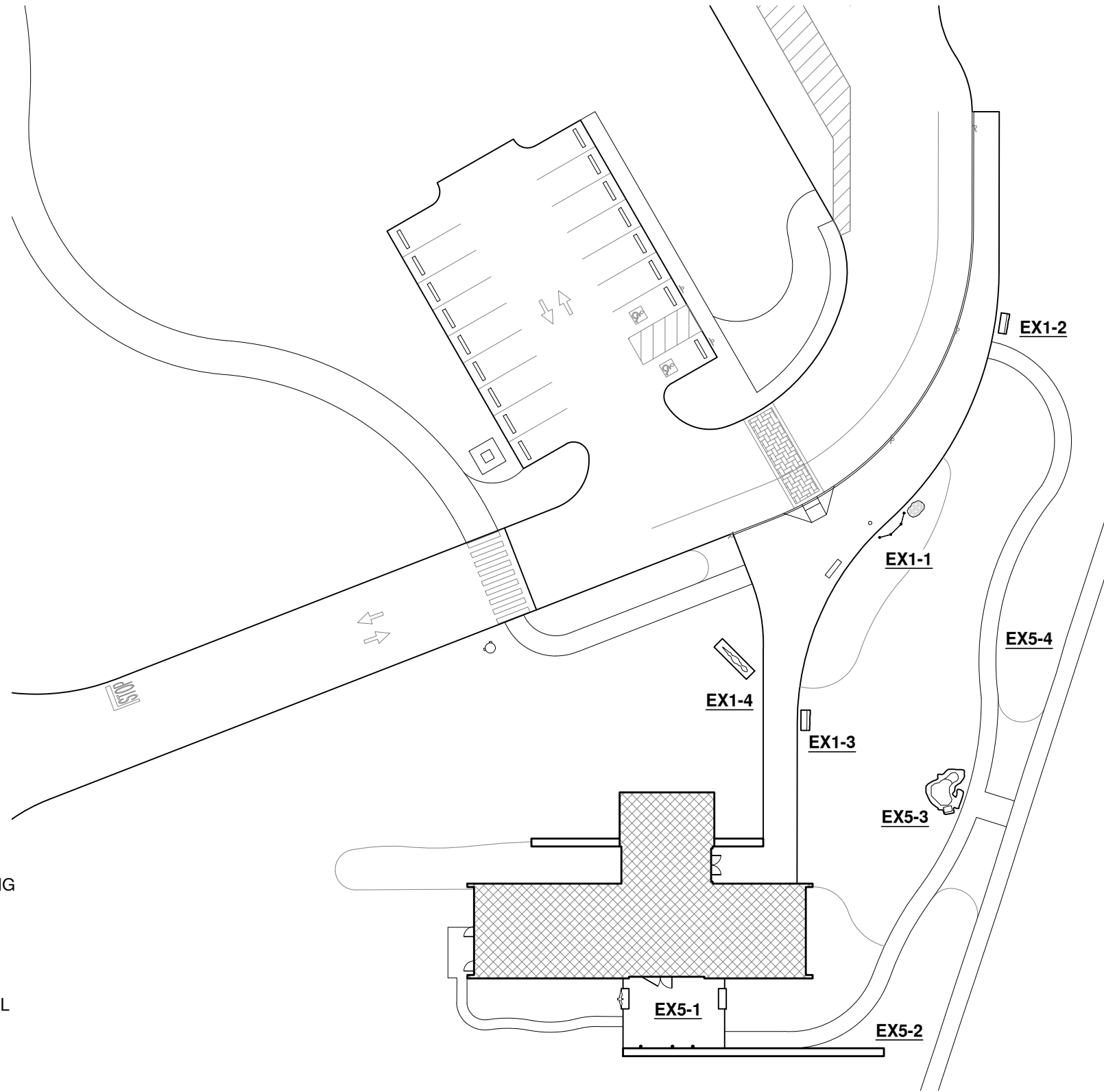
FOR REFERENCE ONLY

## Color & Materials

ID	Color	Spec
1	Agate Gray	RAL 7038
2	Pearl Gold	RAL 1036
3	Dark Oak	
4	Vinyl cove base	Roppe Fawn
5	Wall paint	Sagey SW6175
6	Paint	Matte Black

## Table of Contents

Page	Description
01	SITE PLAN
	EX1: EXTERIOR APPROACH TO THE BUILDING
02	EX1-1: WELCOME KIOSK
02	EX1-2: APPROACH PANEL
03	EX1-3: APPROACH PANEL
03.1	EX1-4: SCULPTURE
04	OVERALL EXHIBIT FLOOR PLAN: EX2 THRU EX5
	EX2: INTERIOR VESTIBULE
05	EX2-1: INTERAGENCY PARTNERSHIP PANEL
05	EX2-2: PLIOCENE MURAL
05	EX2-3: VIEWING WINDOW WITH INTERPRETATION
05	EX2-4: WINDOW GRAPHIC
	EX3: INTERIOR RECEPTION / MEETING AREA
06	EX3-1: VIDEO WALL
06	EX3-2: HUMAN HISTORY TIMELINE
06	EX3-3 WHERE TO EXPLORE
06, 07	EX3-4: CHANGEABLE EXHIBIT
	EX4: INTERIOR EXHIBIT HALL
08	EX4-1: THE HAGERMAN VALLEY
08	EX4-2: ADAPT, MIGRATE OR GO EXTINCT
08, 09	EX4-3: SCIENTIFIC INQUIRY
08, 09	EX4-4: PRESENTATION AREA
08, 09	EX4-5: SCIENCE TODAY
08, 09	EX4-6: WALL MURAL
	EX5: EXTERIOR PATIO / INTERPRETIVE TRAIL
10	EX5-1: INTERPRETIVE PANELS
11	EX5-2: SCULPTURE
11	EX5-3: DIG SITE
11	EX5-4: SCULPTURE
11.1	EX5-3: DIG SITE SECTION



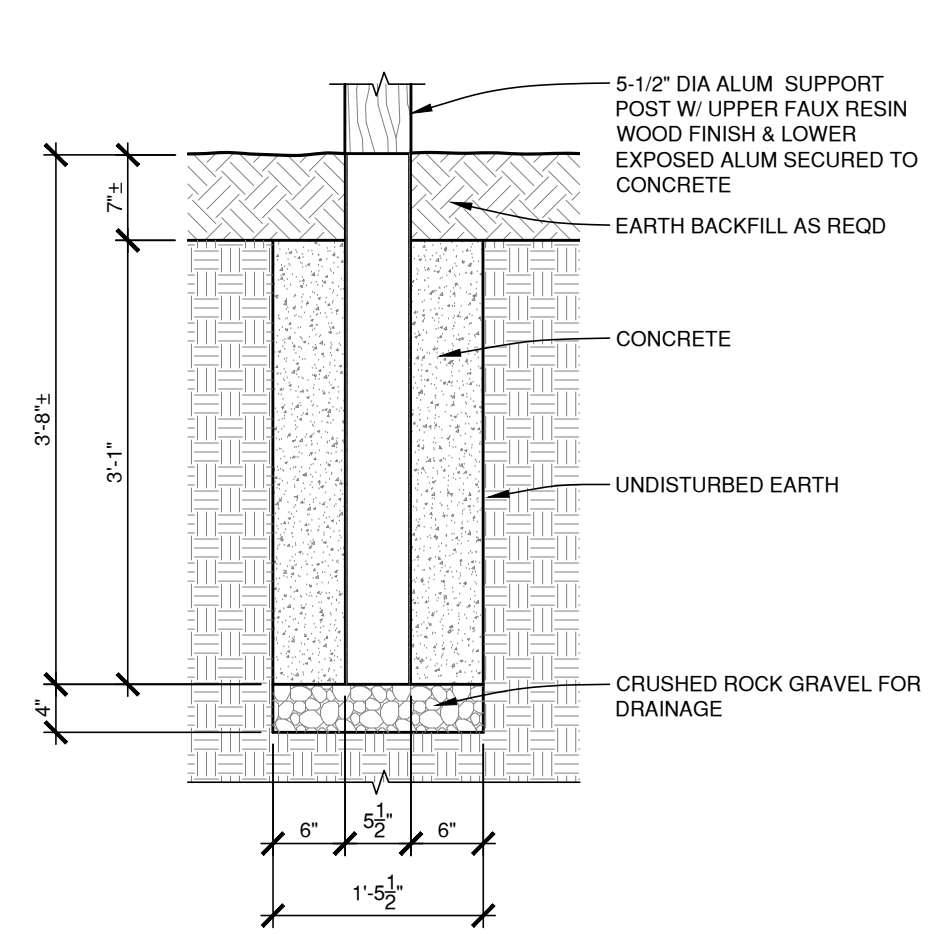
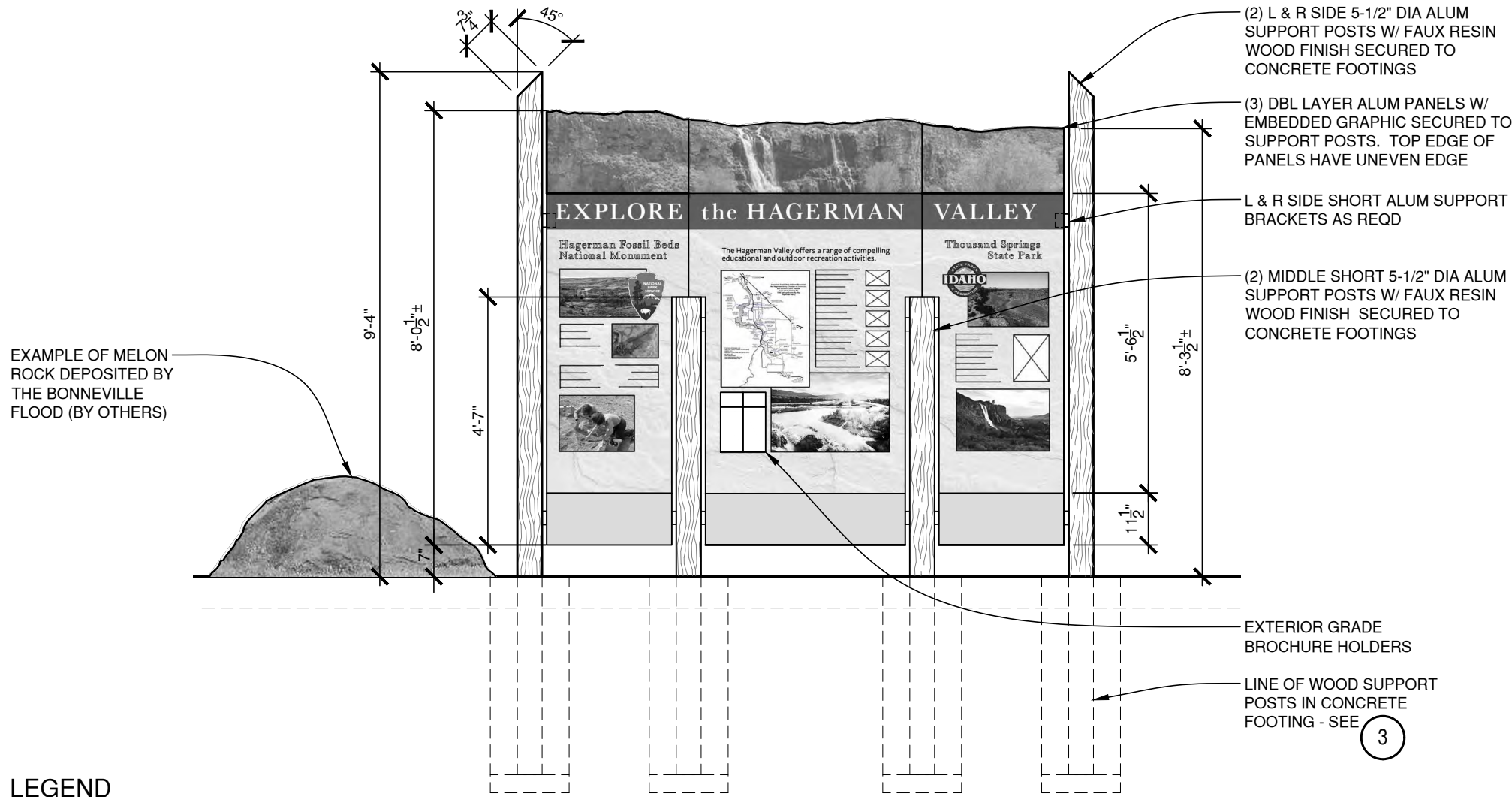
**LEGEND**

- EX1: EXTERIOR APPROACH TO THE BUILDING
  - EX1-1: WELCOME KIOSK
  - EX1-2: APPROACH PANEL
  - EX1-3: APPROACH PANEL
  - EX1-4: HORSE
- EX5: EXTERIOR PATIO / INTERPRETIVE TRAIL
  - EX5-1: INTERPRETIVE PANELS
  - EX5-2: SCULPTURE
  - EX5-3: DIG SITE
  - EX5-4: SCULPTURE

**1** SITE PLAN: THOUSAND SPRINGS VISITOR CENTER  
SCALE: N.T.S.

# EX1: EXTERIOR APPROACH TO THE BUILDING

FOR REFERENCE ONLY



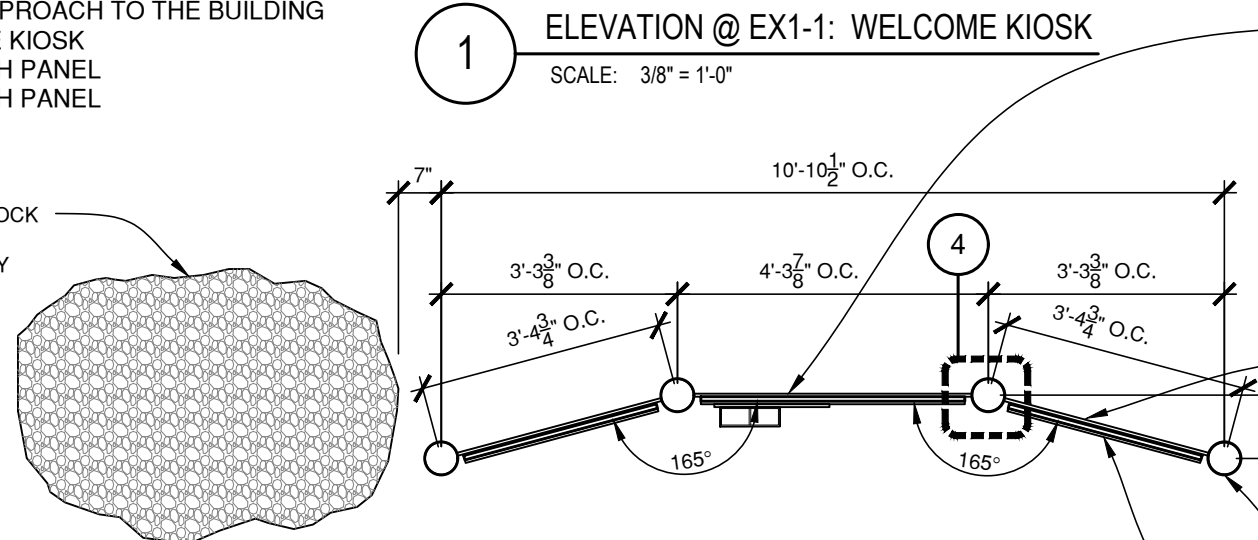
**3** DETAIL @ EX1-1: WOOD SUPPORT POST  
SCALE: 3/4" = 1'-0"

**LEGEND**

- EX1: EXTERIOR APPROACH TO THE BUILDING
- EX1-1: WELCOME KIOSK
- EX1-2: APPROACH PANEL
- EX1-3: APPROACH PANEL

**1** ELEVATION @ EX1-1: WELCOME KIOSK  
SCALE: 3/8" = 1'-0"

EXAMPLE OF MELON ROCK DEPOSITED BY THE BONNEVILLE FLOOD (BY OTHERS)



**2** PLAN @ EX1-1: WELCOME KIOSK  
SCALE: 3/8" = 1'-0"

REMOVABLE GRAPHIC MAP PANEL SECURES TO SUPPORT BRACKETS SIMILAR TO GRAPHIC PANEL ASSEMBLIES - SEE **4** SIM

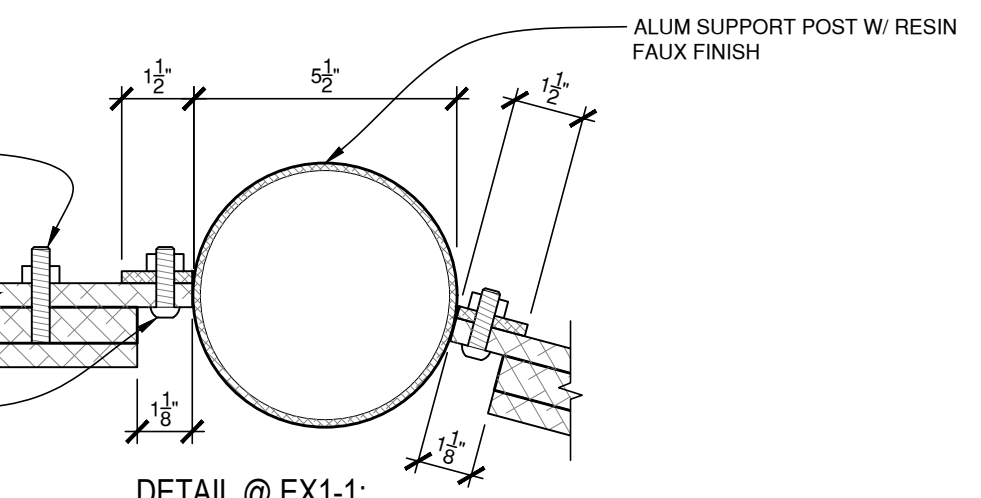
3/8" X 2"L WELDED ALUM ALL-THREADS WELDED TO REAR OF GRAPHIC PANEL ASSEMBLIES. ALL-THREADS SECURE TO SUPPORT BRACKETS & TABS USING ALUM HEX NUTS

(3) UPPER & LOWER HORIZONTAL SUPPORT BRACKETS (POWDERCOAT)

L & R SIDE, UPPER & LOWER 3/8" X 1-1/4"L S/S RH HD BOLTS THRU WELDED 1/4" THK TABS TO S/S HEX NUTS

(4) ALUMINUM SUPPORT POSTS

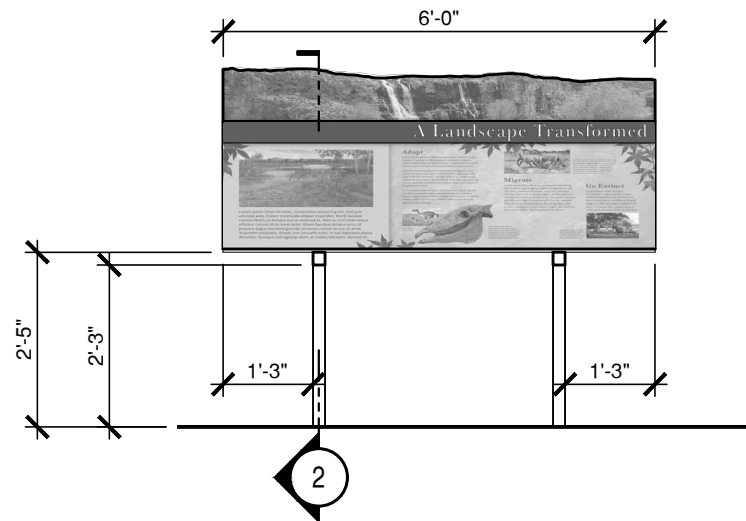
(3) GRAPHIC PANEL ASSEMBLIES



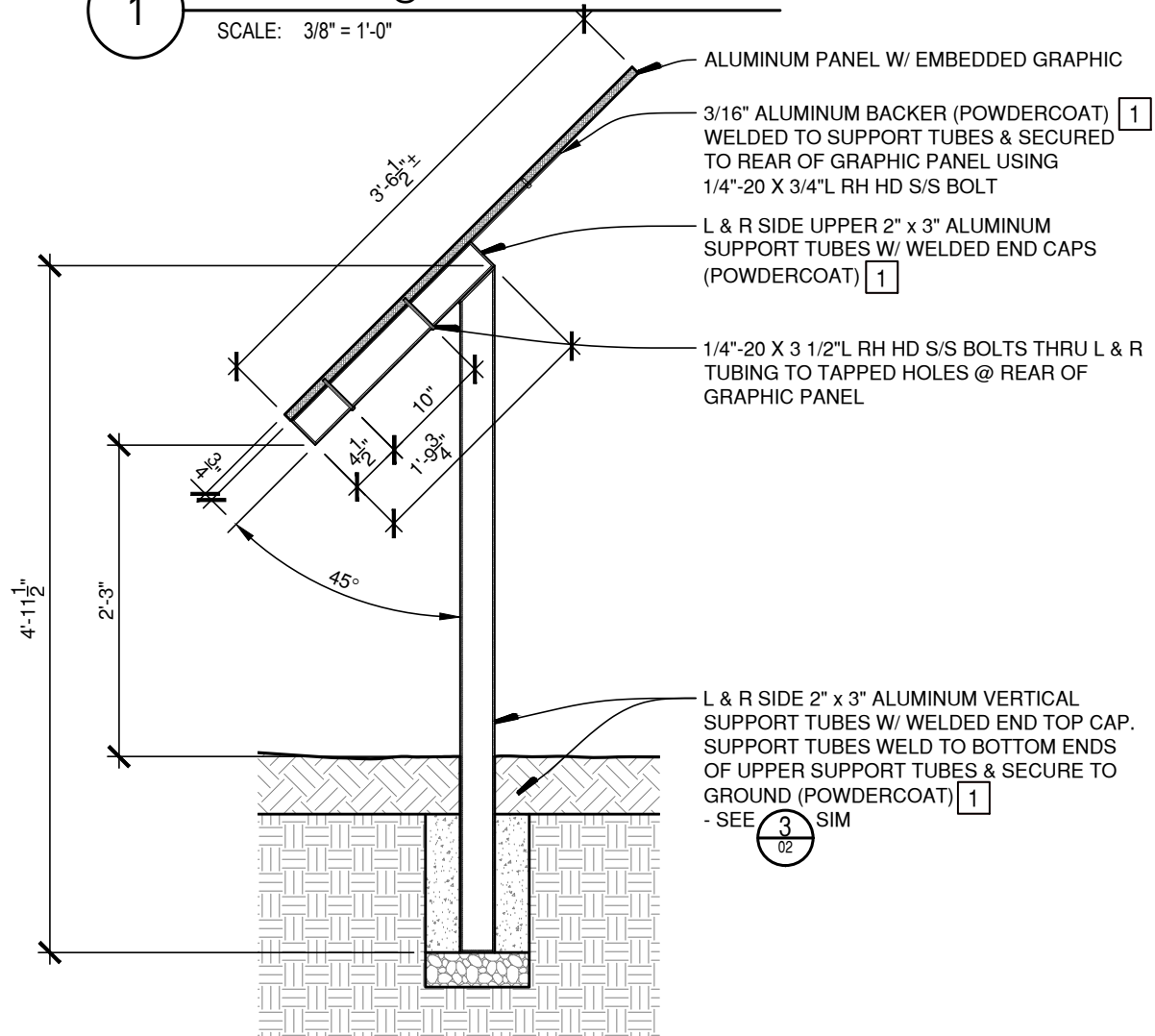
**4** DETAIL @ EX1-1: GRAPHIC PANELS  
SCALE: 3" = 1'-0"

# EX1: EXTERIOR APPROACH TO THE BUILDING

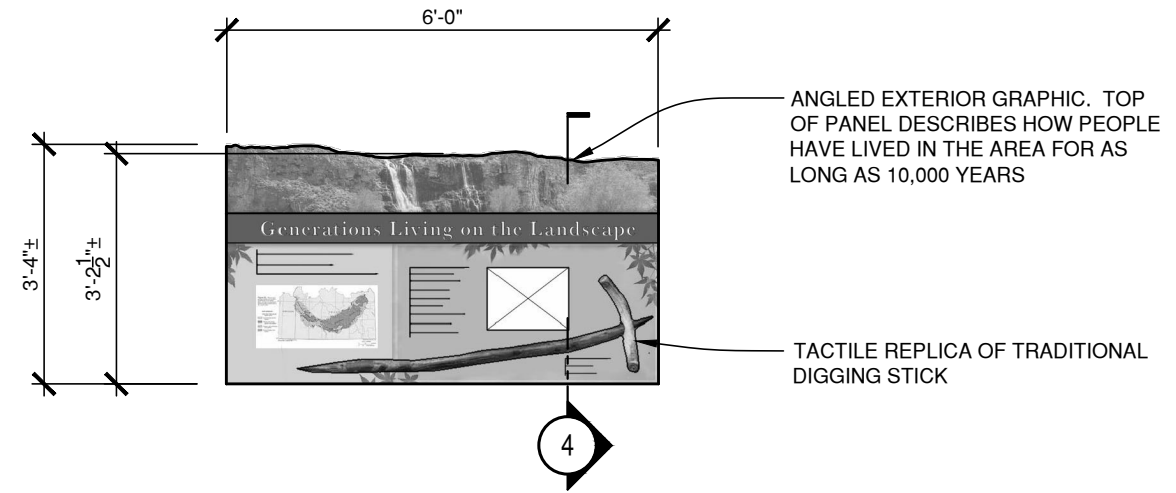
FOR REFERENCE ONLY



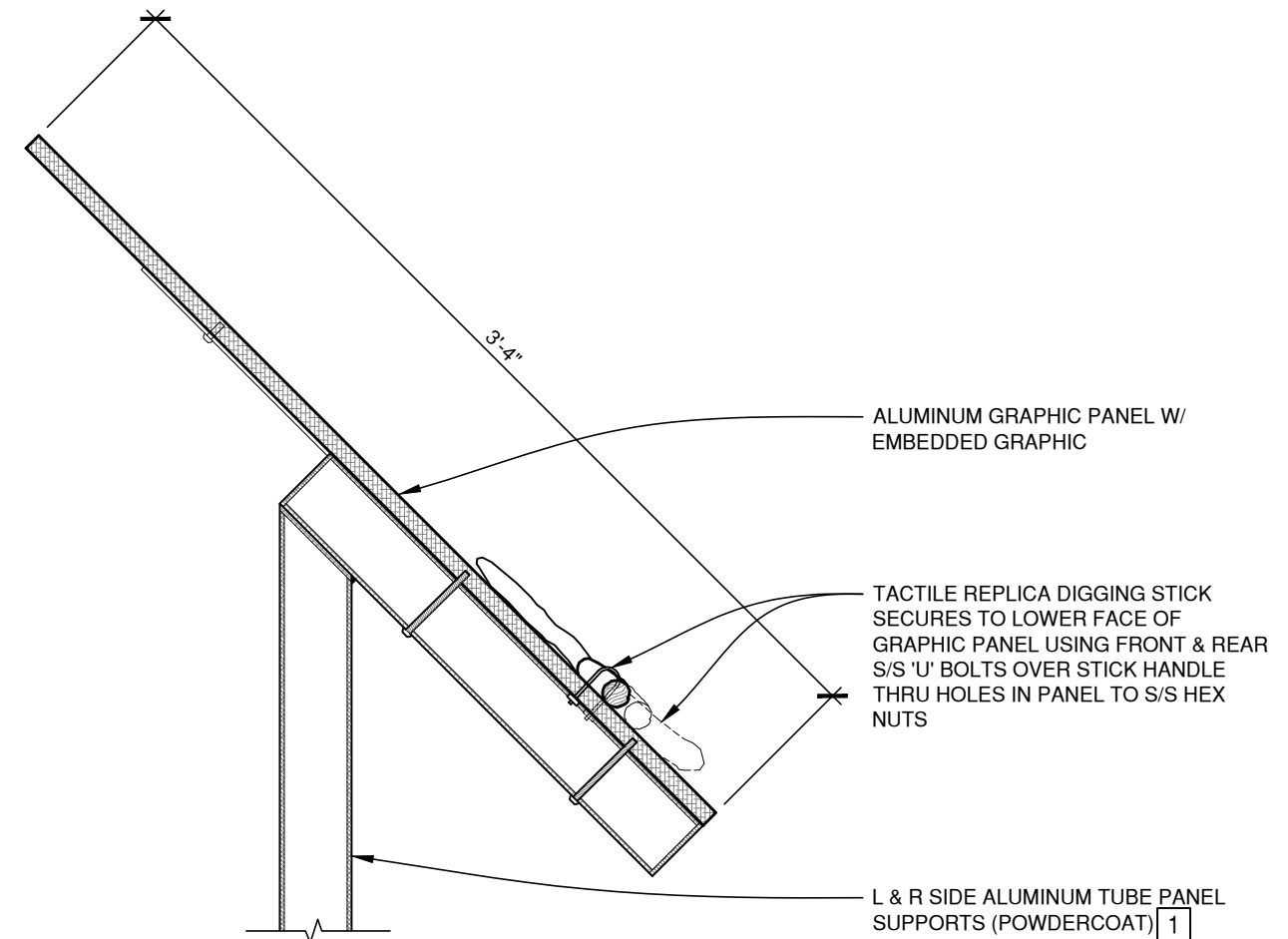
**1** ELEVATIONS @ EX1-2: APPROACH PANEL  
SCALE: 3/8" = 1'-0"



**2** SECTION @ EX1-2: APPROACH PANEL  
SCALE: 3/8" = 1'-0"



**3** PLAN @ EX1-3: APPROACH PANEL  
SCALE: 3/8" = 1'-0"



**4** SECTION @ EX1-3: APPROACH PANEL  
SCALE: 1-1/2" = 1'-0"

COPYRIGHT WARNING  
THIS PLAN & DESIGN IS AND AT ALL TIMES REMAINS  
THE EXCLUSIVE PROPERTY OF FORMATIONS INC.,  
WITHOUT WHOSE CONSENT IT MAY NOT BE USED  
ORIGINAL DRAWING IS 11x17, SCALE ACCORDINGLY IF REDUCED

**FORMATIONS**  
EXHIBITS + GRAPHICS + TECHNOLOGY

621 SE 202nd Ave  
Portland, OR 97233  
503.665.7110 main  
503.665.7188 fax

DESIGNER  
CJ  
DRAWN BY  
TEAM

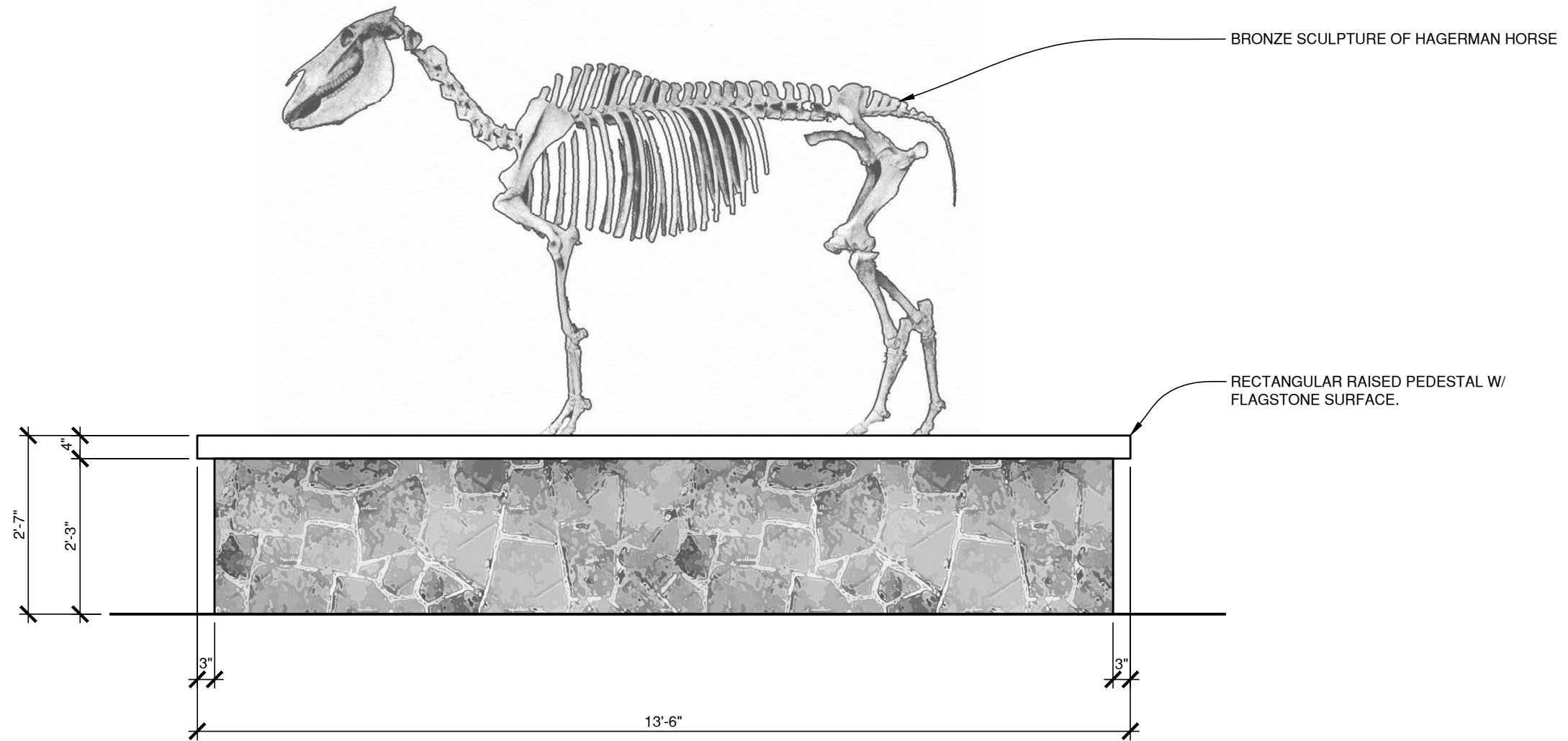
PROJECT  
THOUSAND SPRINGS STATE  
PARK VISITOR CENTER  
HAGERMAN, IDAHO

TITLE  
EX1: EXTERIOR APPROACH TO  
THE BUILDING

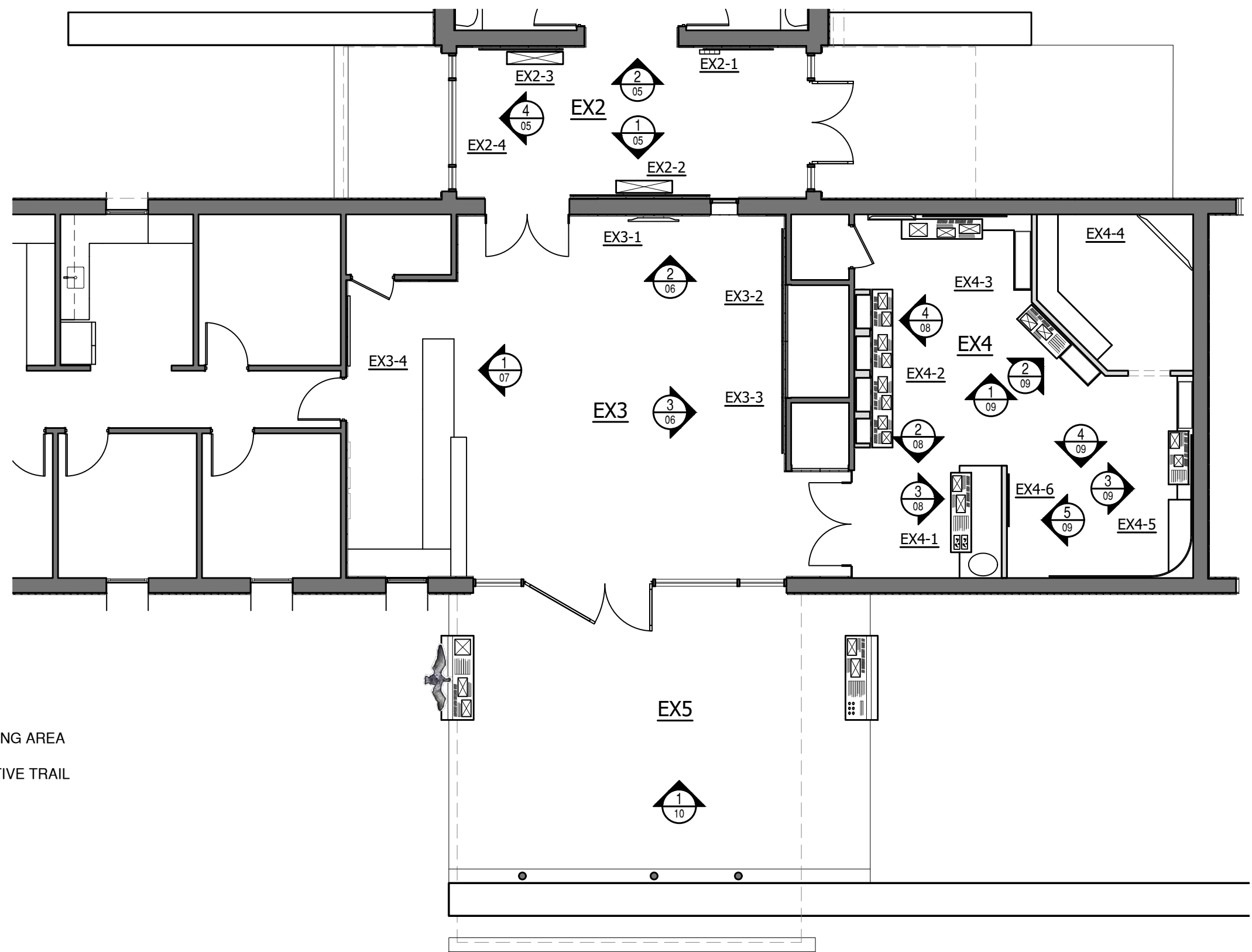
JOB NO.  
685  
PHASE  
3B - FINAL DESIGN @ 100%

ISSUE DATE  
07.28.20  
REVISIONS  
04.20.21  
08.23.21

SHEET



1 ELEVATION @ EX1-4: SCULPTURE  
SCALE: 1/2" = 1'-0"



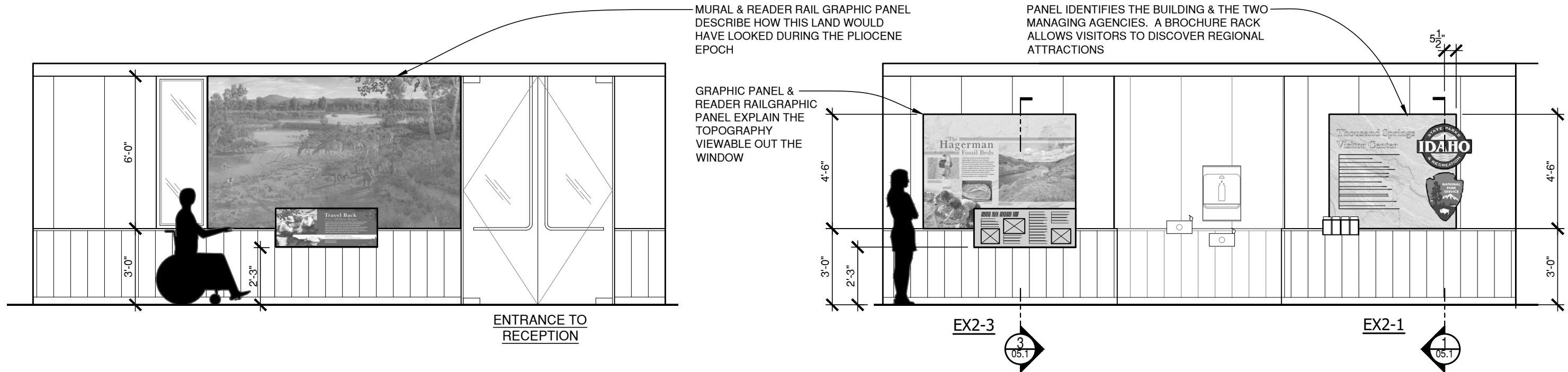
**LEGEND**

- EX2: INTERIOR VESTIBULE
- EX3: INTERIOR RECEPTION / MEETING AREA
- EX4: INTERIOR EXHIBIT HALL
- EX5: EXTERIOR PATIO / INTERPRETIVE TRAIL

1 OVERALL EXHIBIT FLOOR PLAN: EX2 THRU EX5  
SCALE: 1/8" = 1'-0"

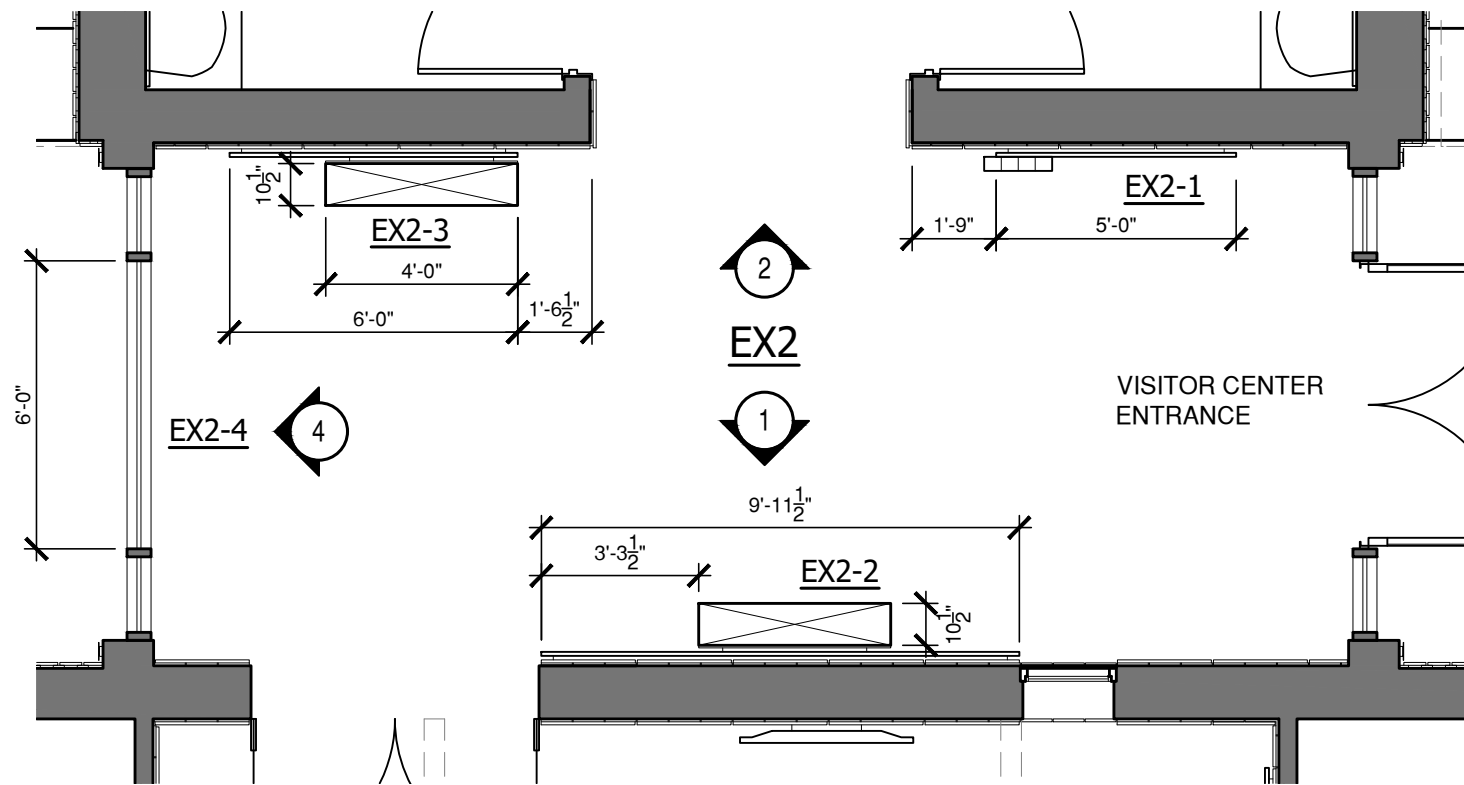
# EX2: INTERIOR VESTIBULE

**FOR REFERENCE ONLY**

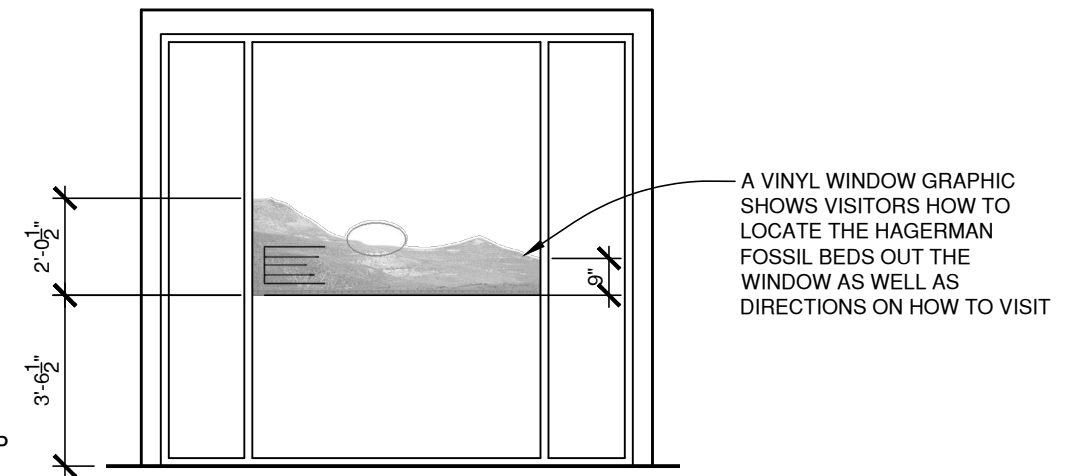


**1** ELEVATION @ EX 2-2: Pliocene MURAL  
SCALE: 1/4" = 1'-0"

**2** ELEVATION @ EX2-1 & EX2-3: INTERAGENCY PARTNERSHIP PANEL & VIEWING WINDOW WITH INTERPRETATION  
SCALE: 1/4" = 1'-0"



**3** EXHIBIT PLAN @ EX2: INTERIOR VESTIBULE  
SCALE: 1/4" = 1'-0"

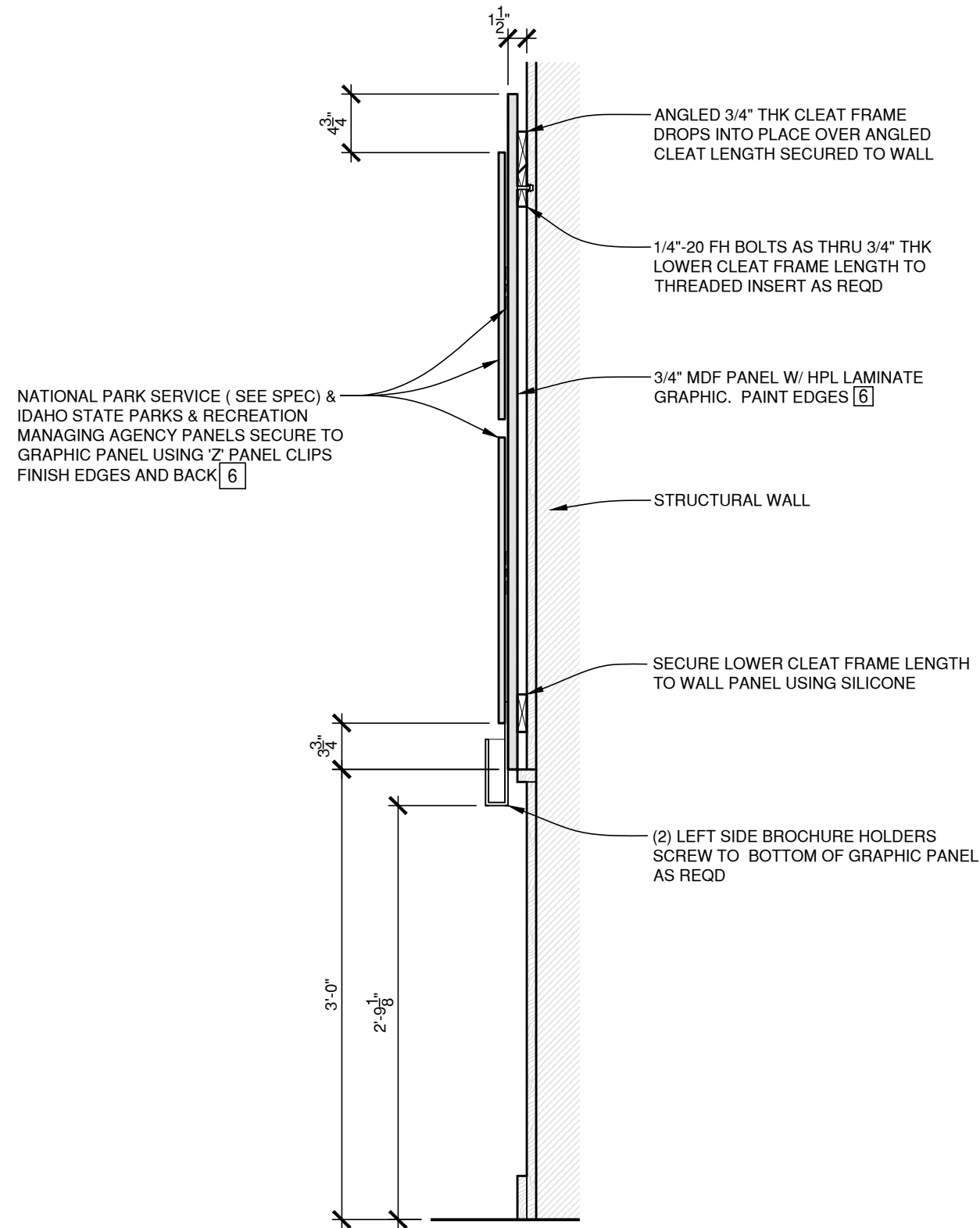


**4** ELEVATION @ EX2-4: EXTERIOR VIEWING TREATMENT  
SCALE: 1/4" = 1'-0"

## LEGEND

- EX2: INTERIOR VESTIBULE
- EX2-1: INTERAGENCY PARTNERSHIP PANEL
- EX2-2: Pliocene MURAL
- EX2-3: VIEWING WINDOW WITH INTERPRETATION
- EX2-4: EXTERIOR VIEWING TREATMENT

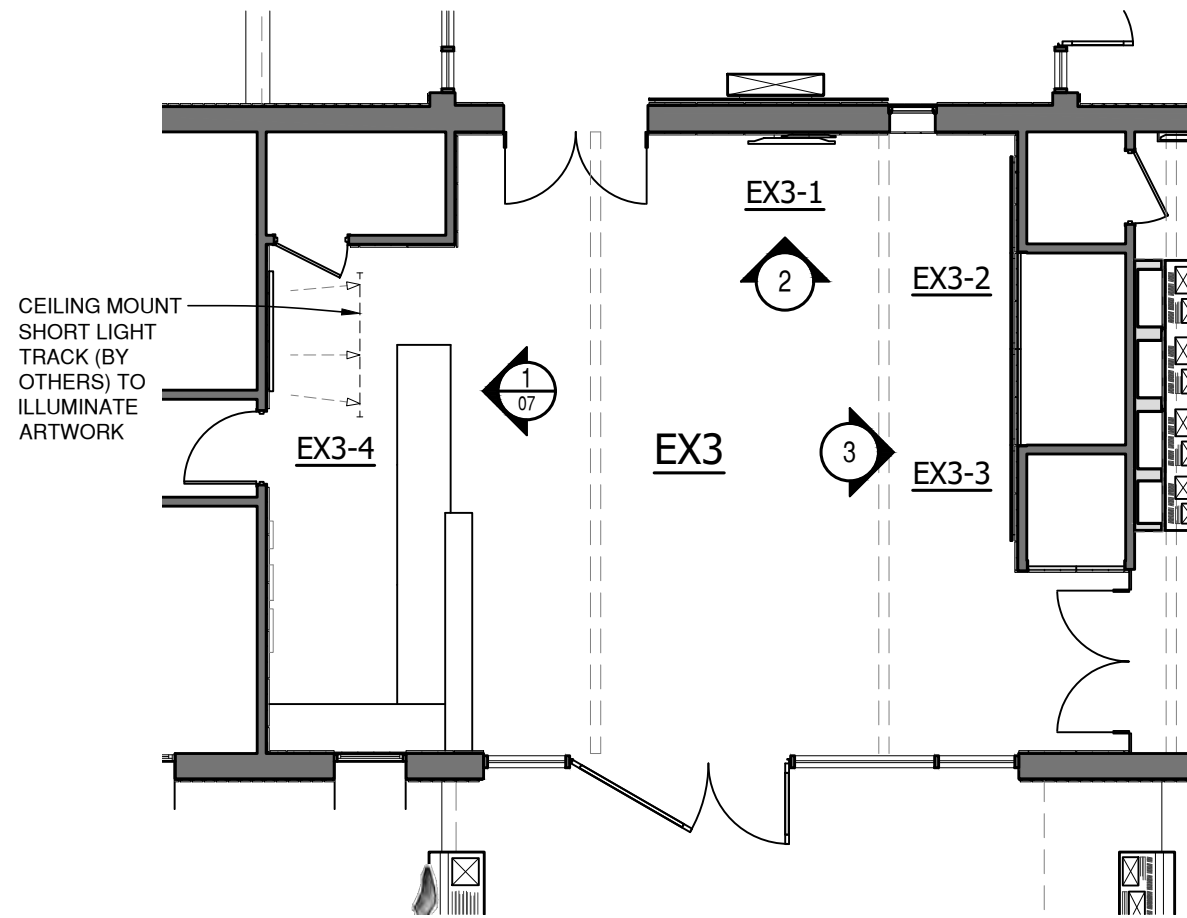




1

SECTION @ EX2-1:  
INTERAGENCY PARTNERSHIP PANEL

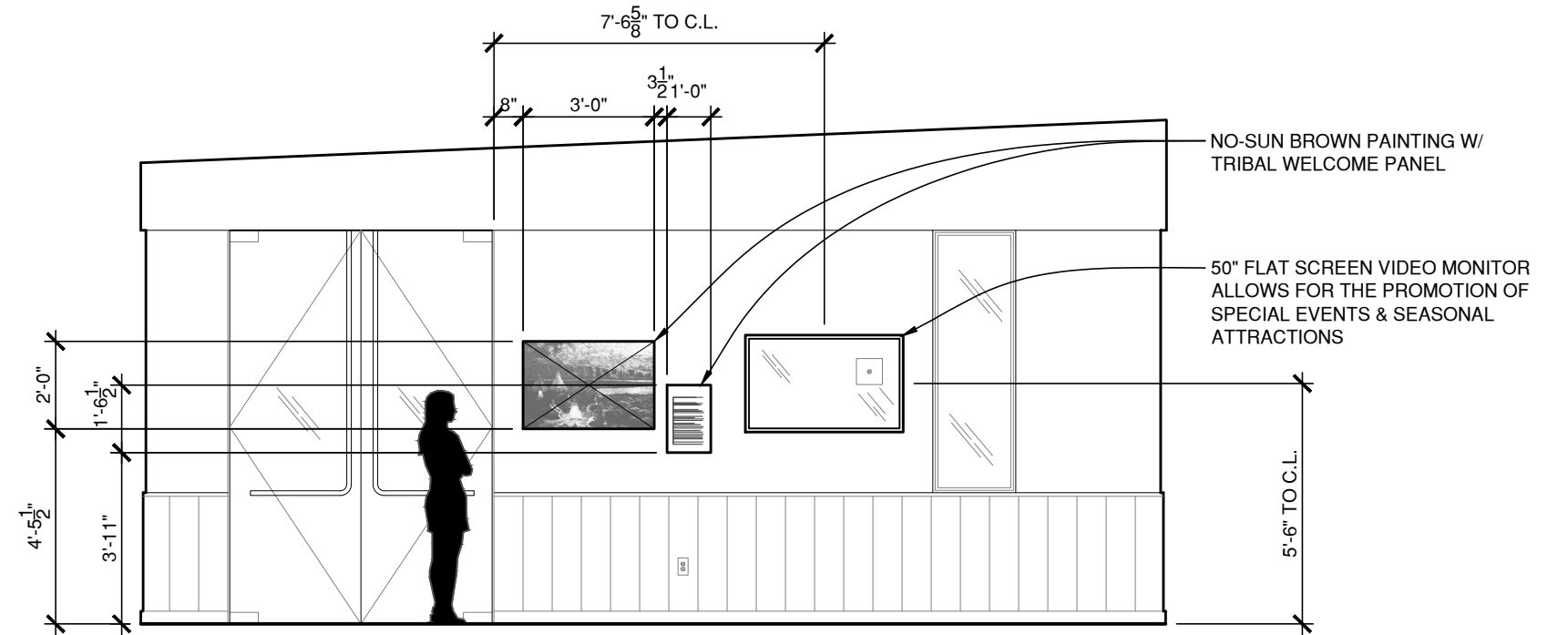
SCALE: 1/4" = 1'-0"



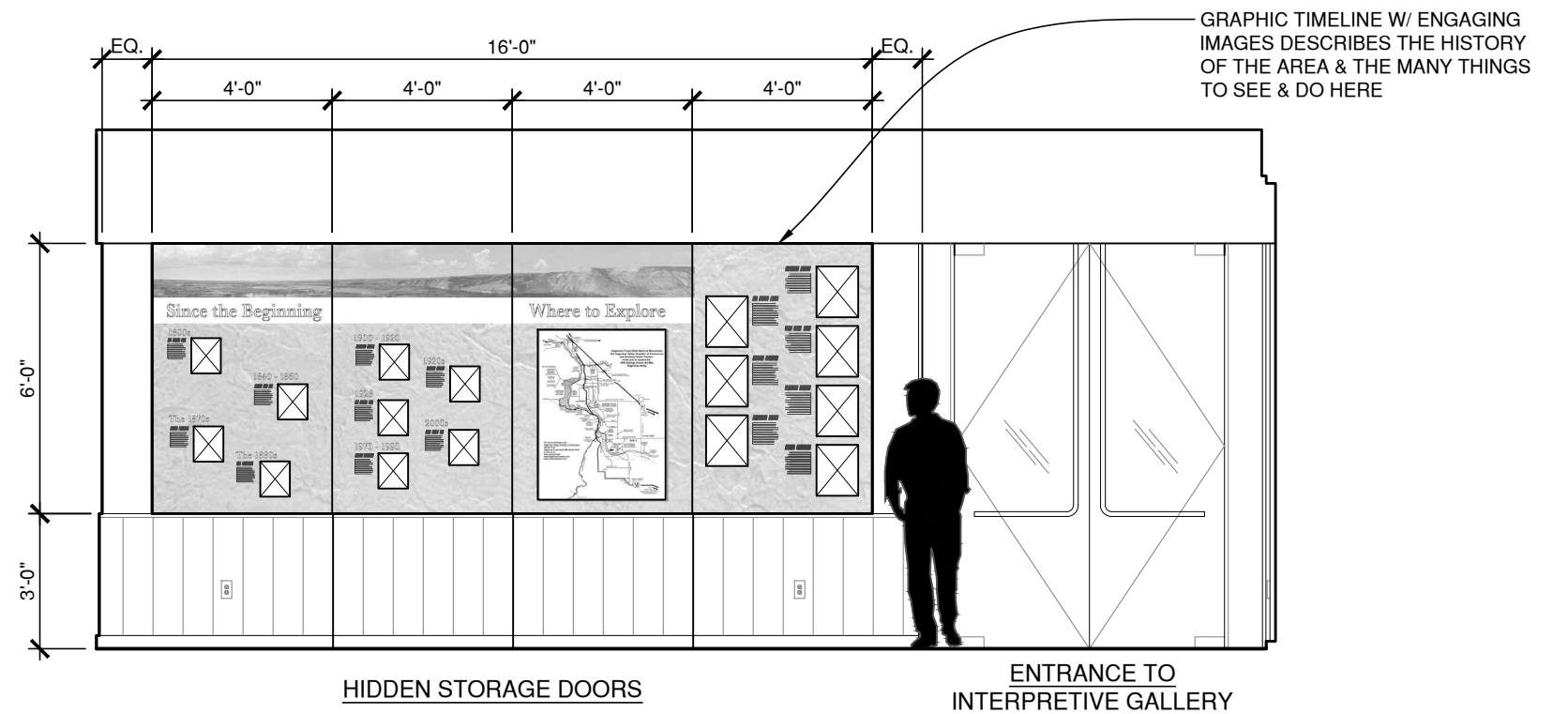
1 EXHIBIT PLAN @ EX3:  
INTERIOR RECEPTION / MEETING AREA  
SCALE: 1/8" = 1'-0"

LEGEND

- EX3: INTERIOR RECEPTION / MEETING AREA
- EX3-1: VIDEO
- EX3-2: HUMAN HISTORY TIMELINE
- EX3-3: WHERE TO EXPLORE
- EX3-4: CHANGEABLE EXHIBIT



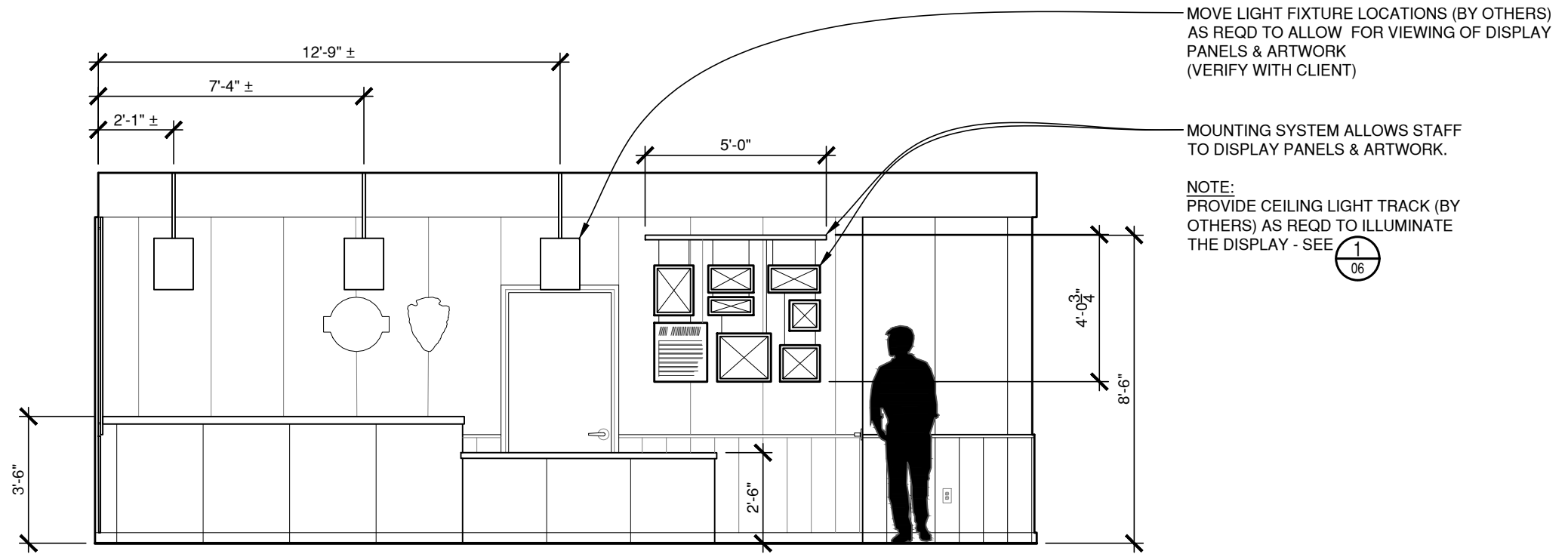
2 ELEVATION @ EX3-1: VIDEO  
SCALE: 1/4" = 1'-0"



3 ELEVATION @ EX3-2 & EX3-3: HUMAN HISTORY TIMELINE & WHERE TO EXPLORE  
SCALE: 1/4" = 1'-0"

# EX3: INTERIOR RECEPTION / MEETING AREA

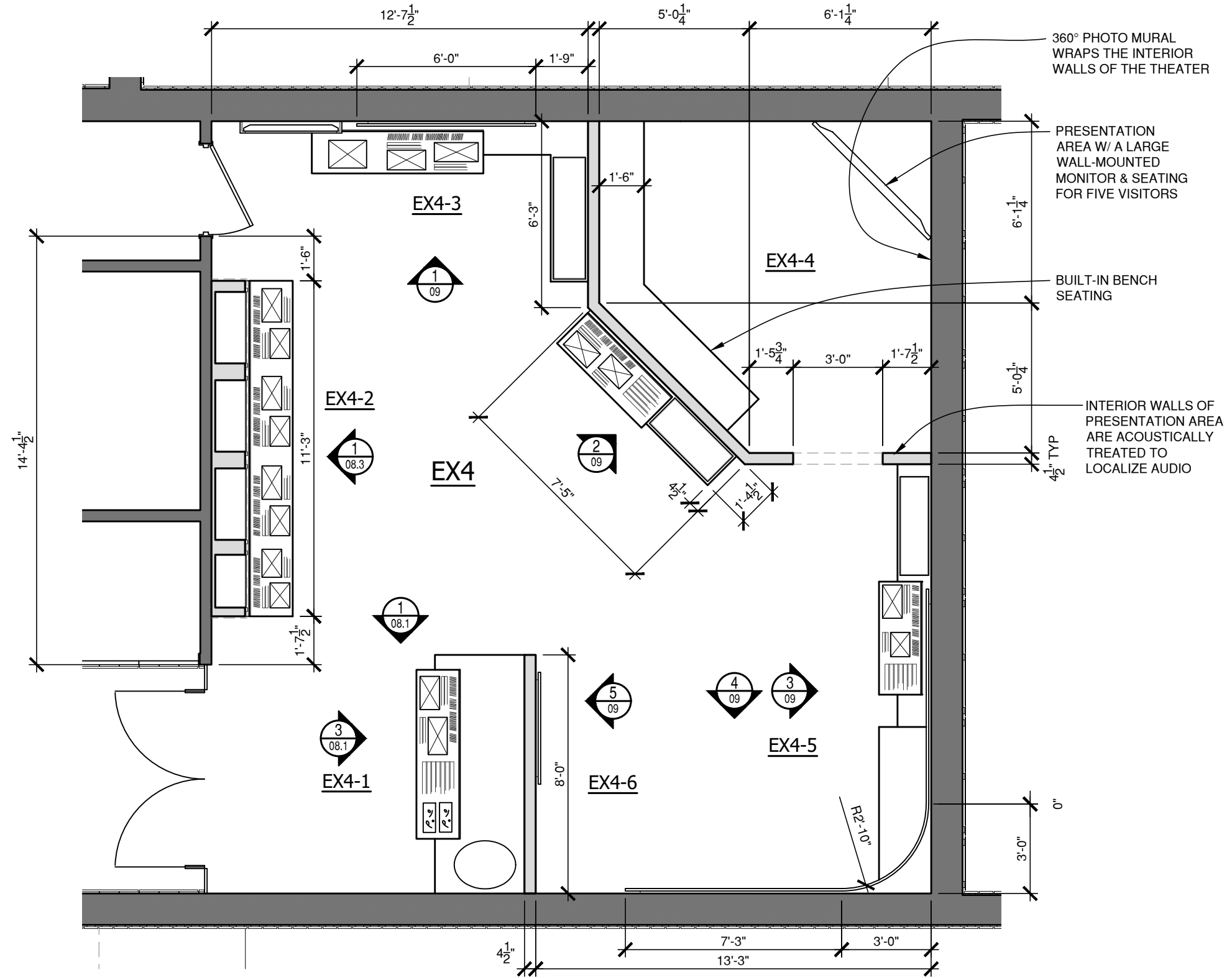
FOR REFERENCE ONLY



1 ELEVATION @ EX3-4: CHANGEABLE EXHIBIT  
SCALE: 1/4" = 1'-0"

**LEGEND**

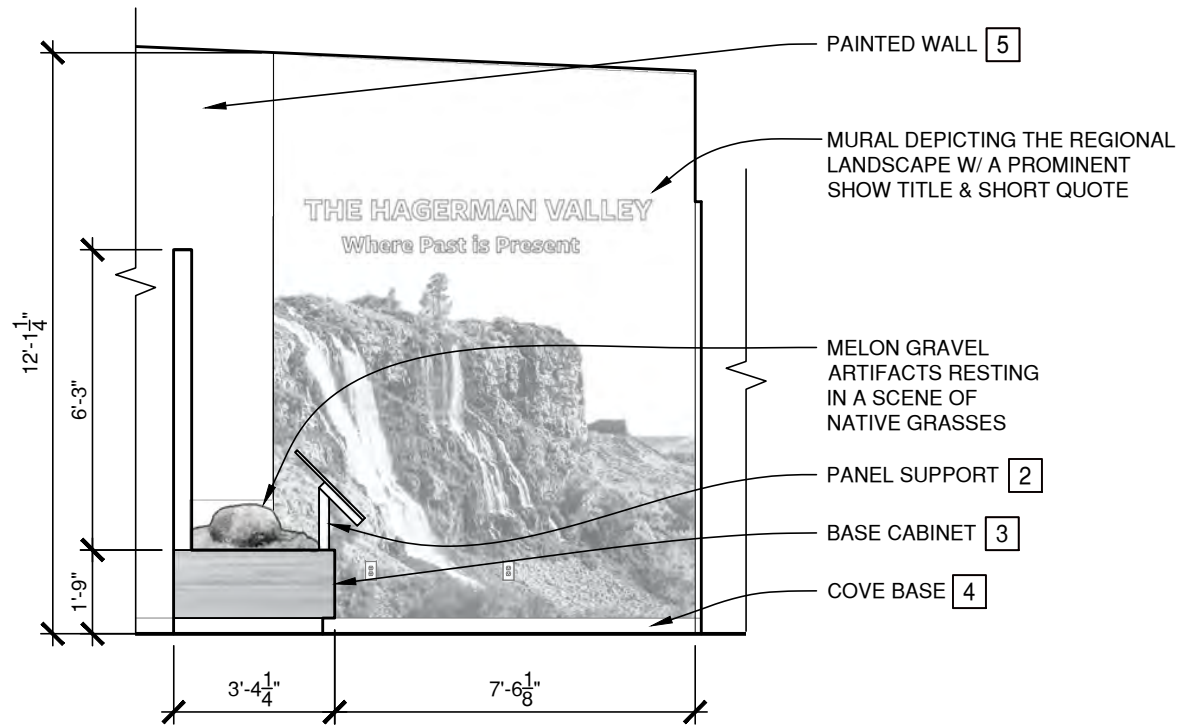
- EX4: INTERIOR EXHIBIT HALL
- EX4-1: THE HAGERMAN VALLEY
- EX4-2: ADAPT, MIGRATE OR GO EXTINCT
- EX4-3: SCIENTIFIC INQUIRY
- EX4-4: PRESENTATION AREA
- EX4-5: SCIENCE TODAY
- EX4-6: WALL MURAL



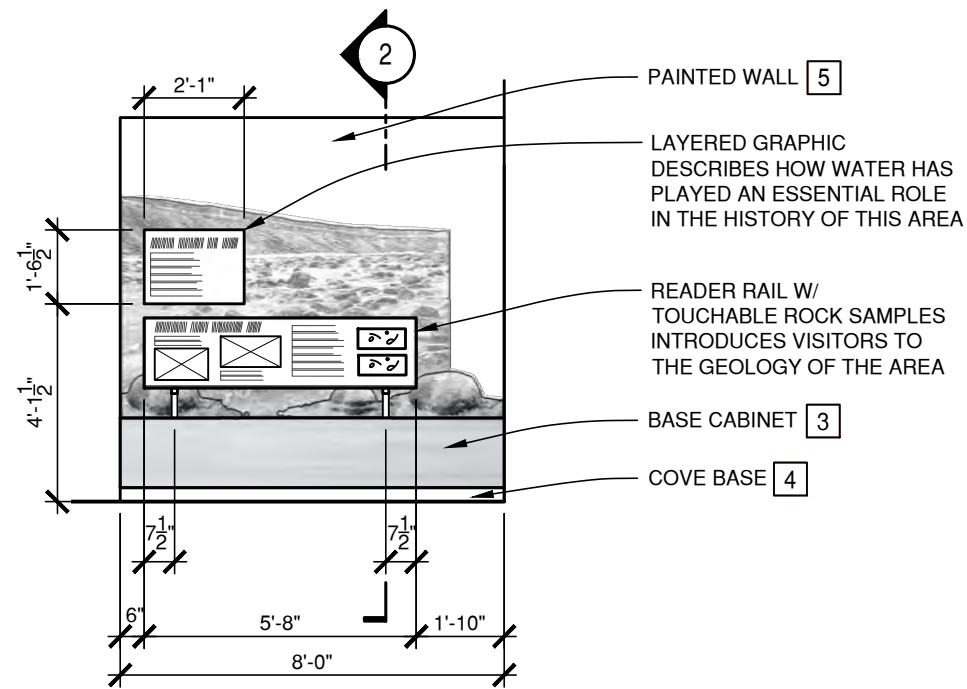
**1** EXHIBIT PLAN @ EX4: INTERIOR EXHIBIT HALL  
SCALE: 1/4" = 1'-0"

# EX4: INTERIOR EXHIBIT HALL

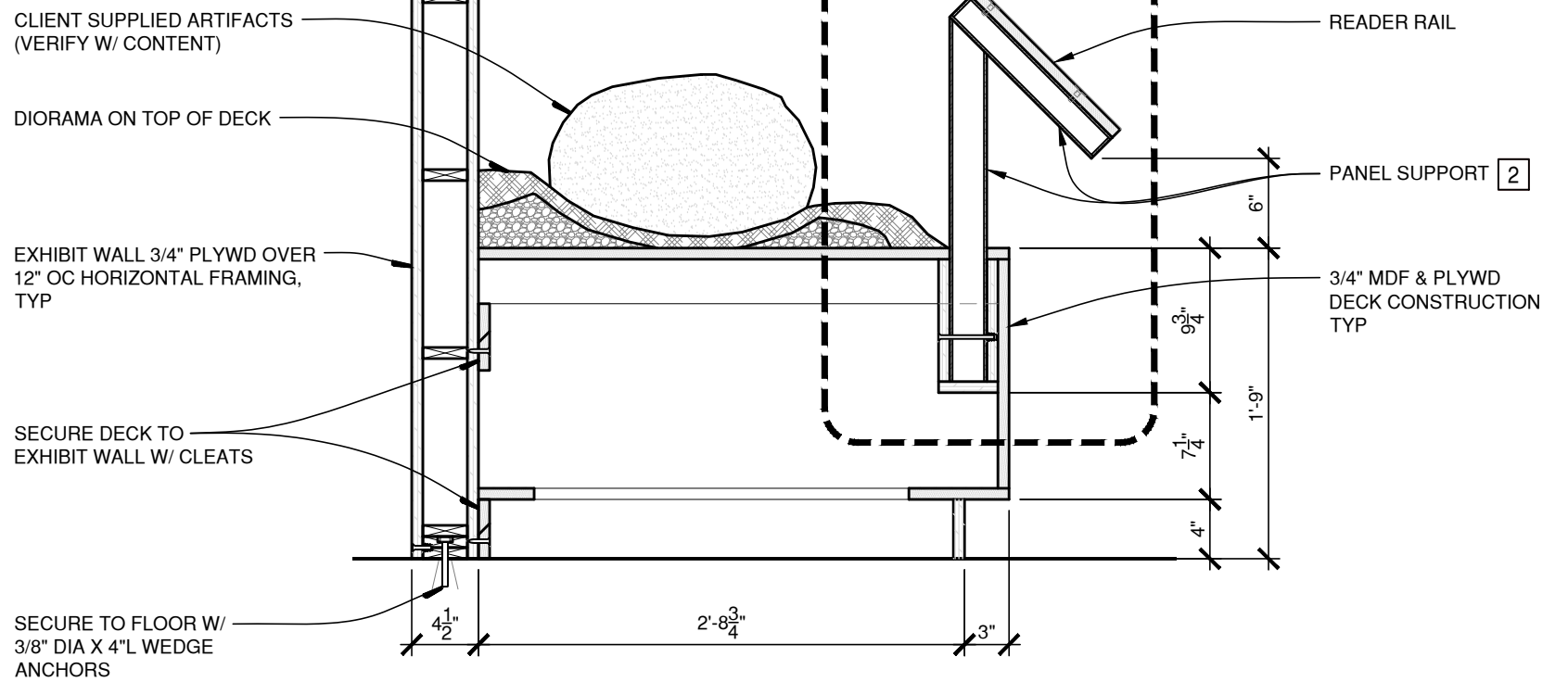
**FOR REFERENCE ONLY**



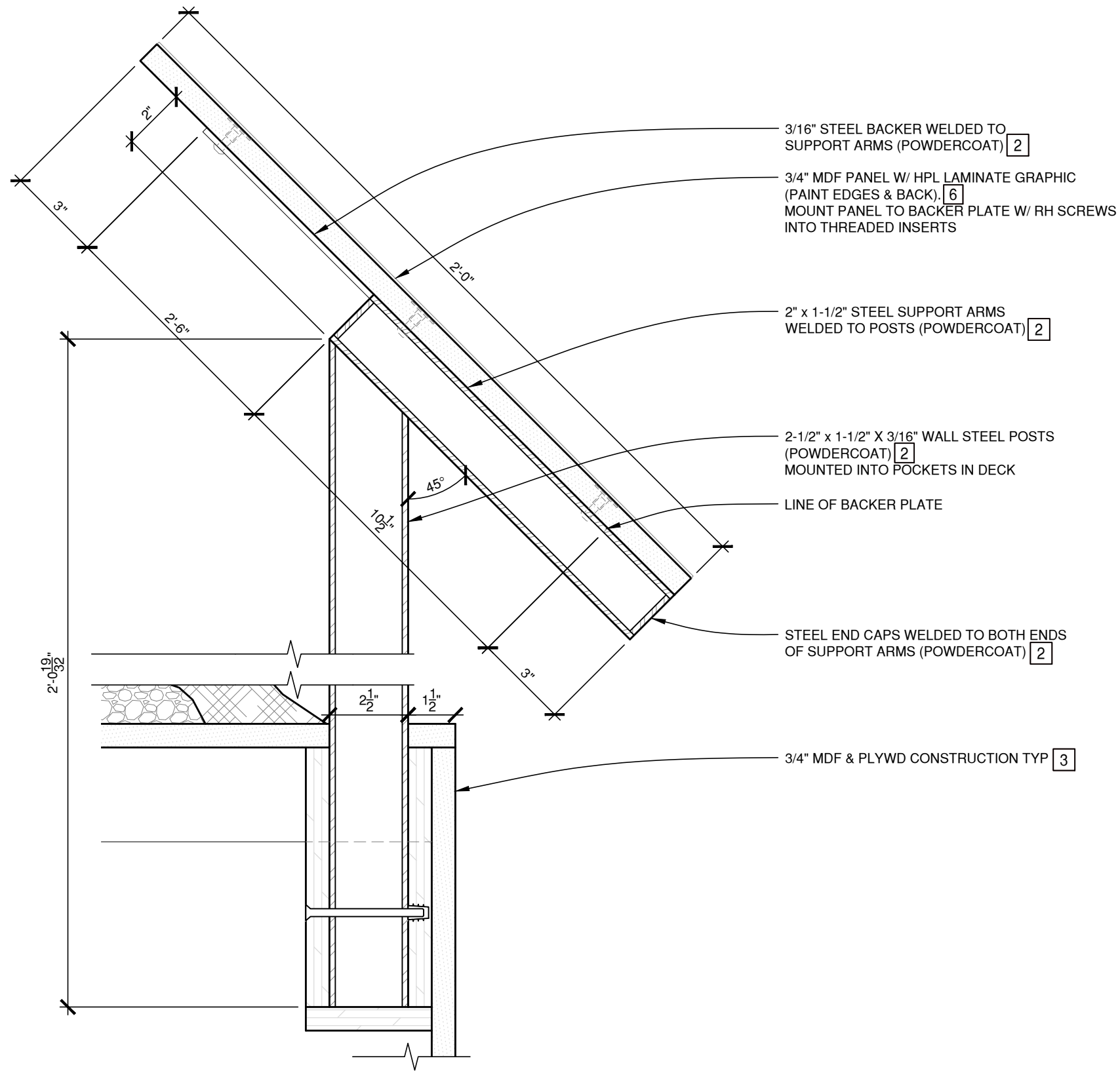
**1** ELEVATION @ EX4-1: THE HAGERMAN VALLEY  
SCALE: 1/4" = 1'-0"



**2** ELEVATION @ EX4-1: THE HAGERMAN VALLEY  
SCALE: 1/4" = 1'-0"

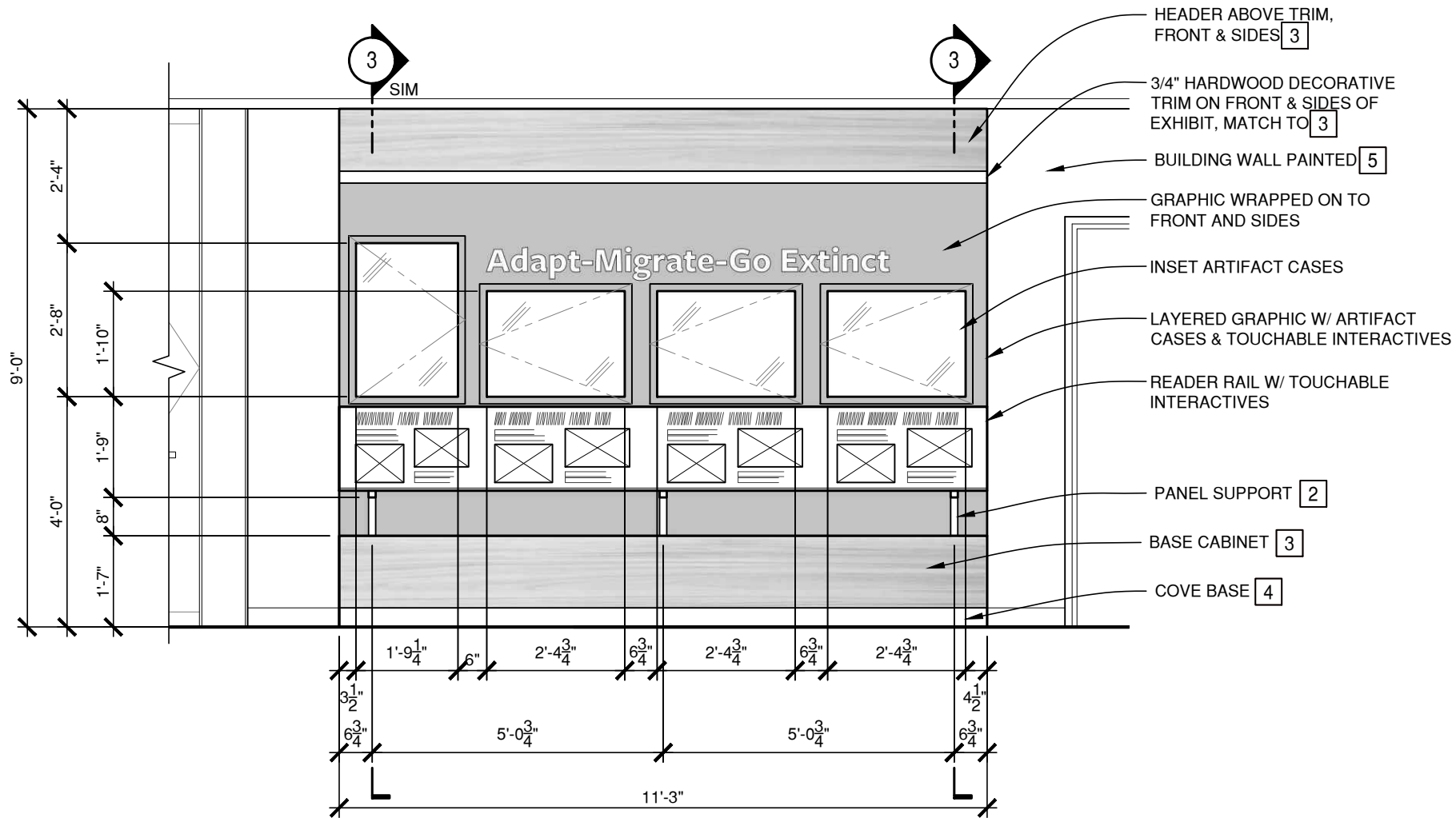


**3** SECTION @ EX4-1: DECK & READER RAIL  
SCALE: 1" = 1'-0"

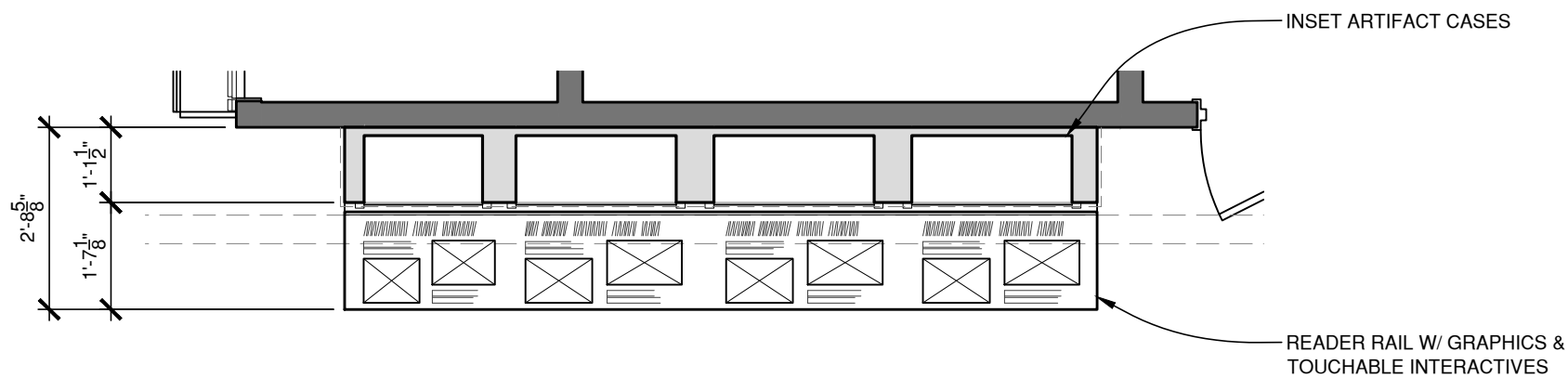


1 SECTION @ EX4-1: READER RAIL  
SCALE: 3" = 1'-0"

# EX4: INTERIOR EXHIBIT HALL

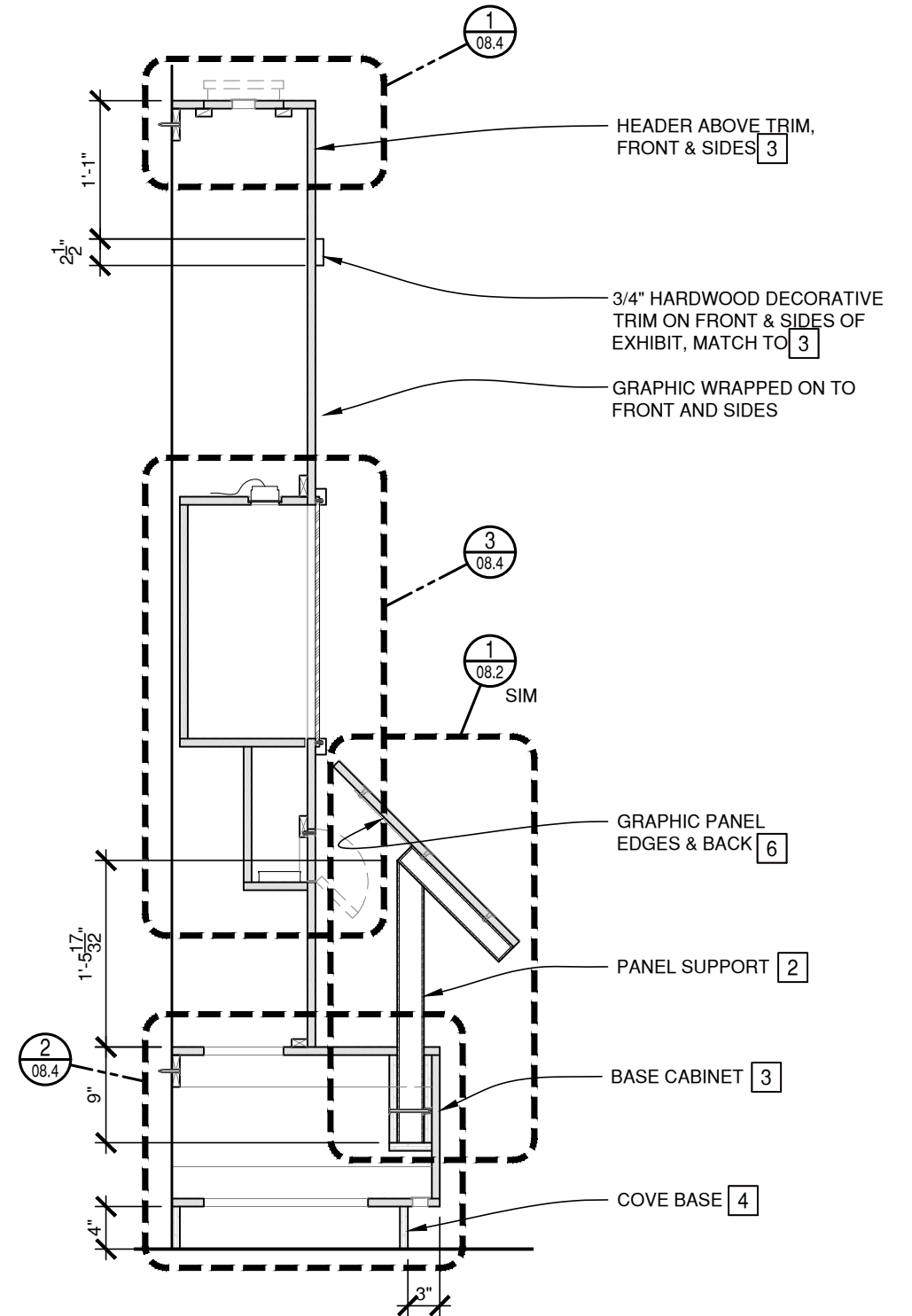


**1** ELEVATION @ EX4-2: ADAPT, MIGRATE OR GO EXTINCT  
SCALE: 3/8" = 1'-0"

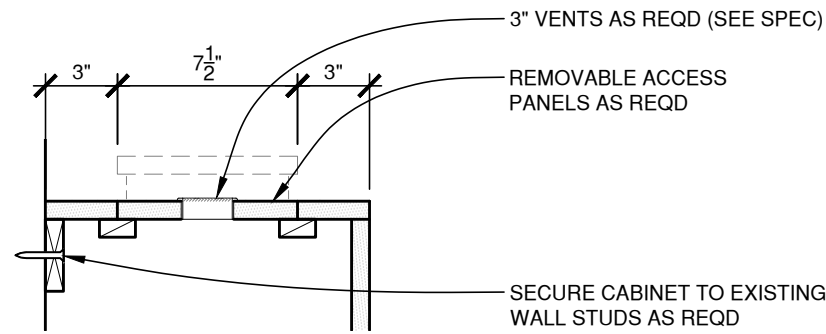


**2** ELEVATION @ EX4-2: ADAPT, MIGRATE OR GO EXTINCT  
SCALE: 3/8" = 1'-0"

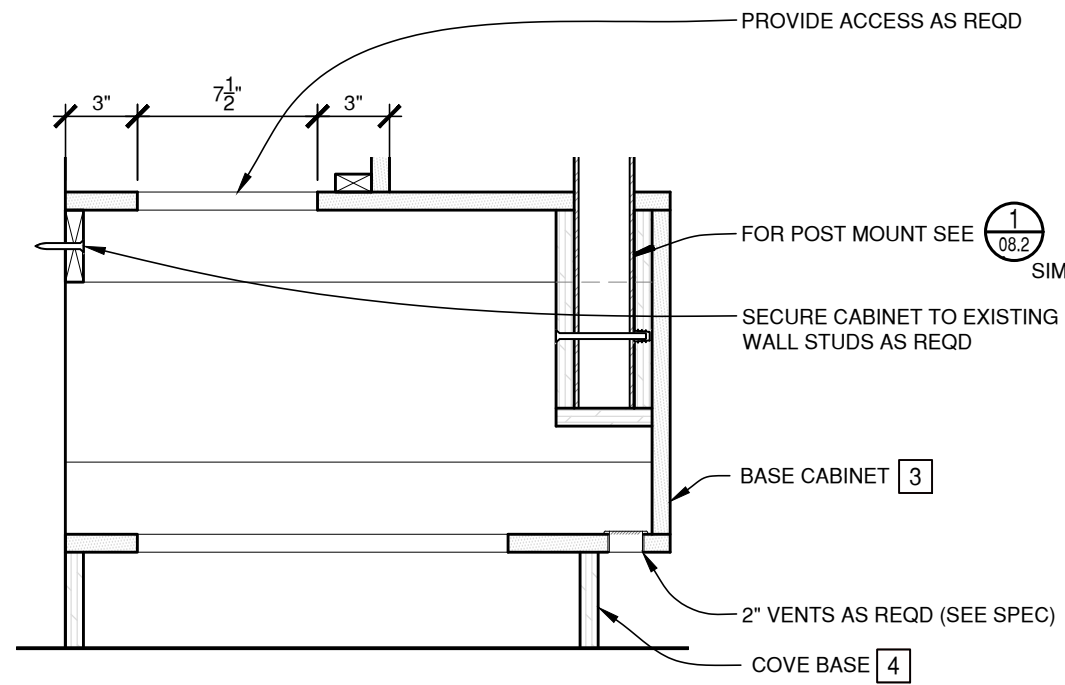
**FOR REFERENCE ONLY**



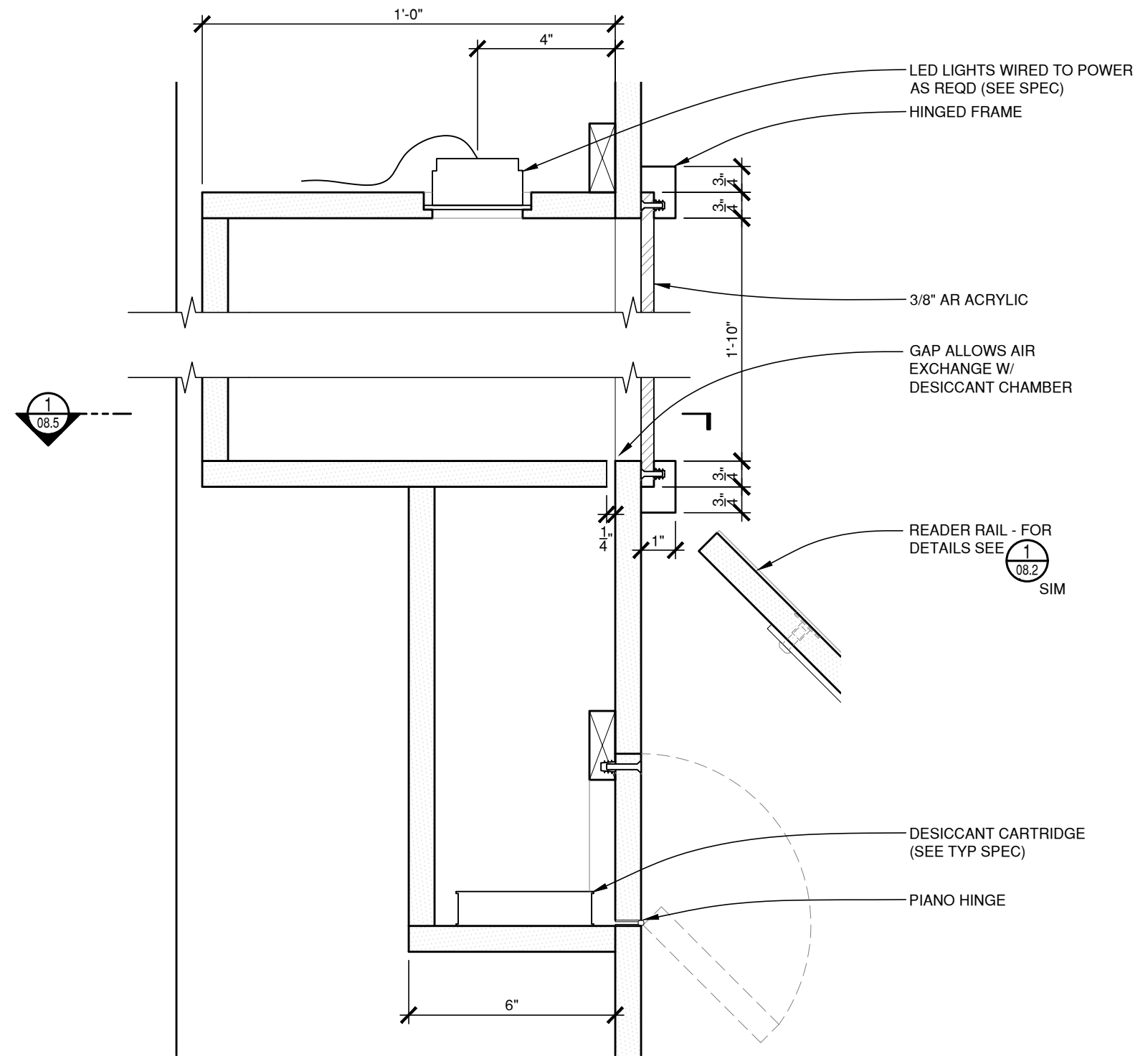
**3** SECTION @ EX4-2: ADAPT, MIGRATE OR GO EXTINCT  
SCALE: 3/4" = 1'-0"



1 SECTION @ EX4-2: CABINET TOP  
SCALE: 1-1/2" = 1'-0"

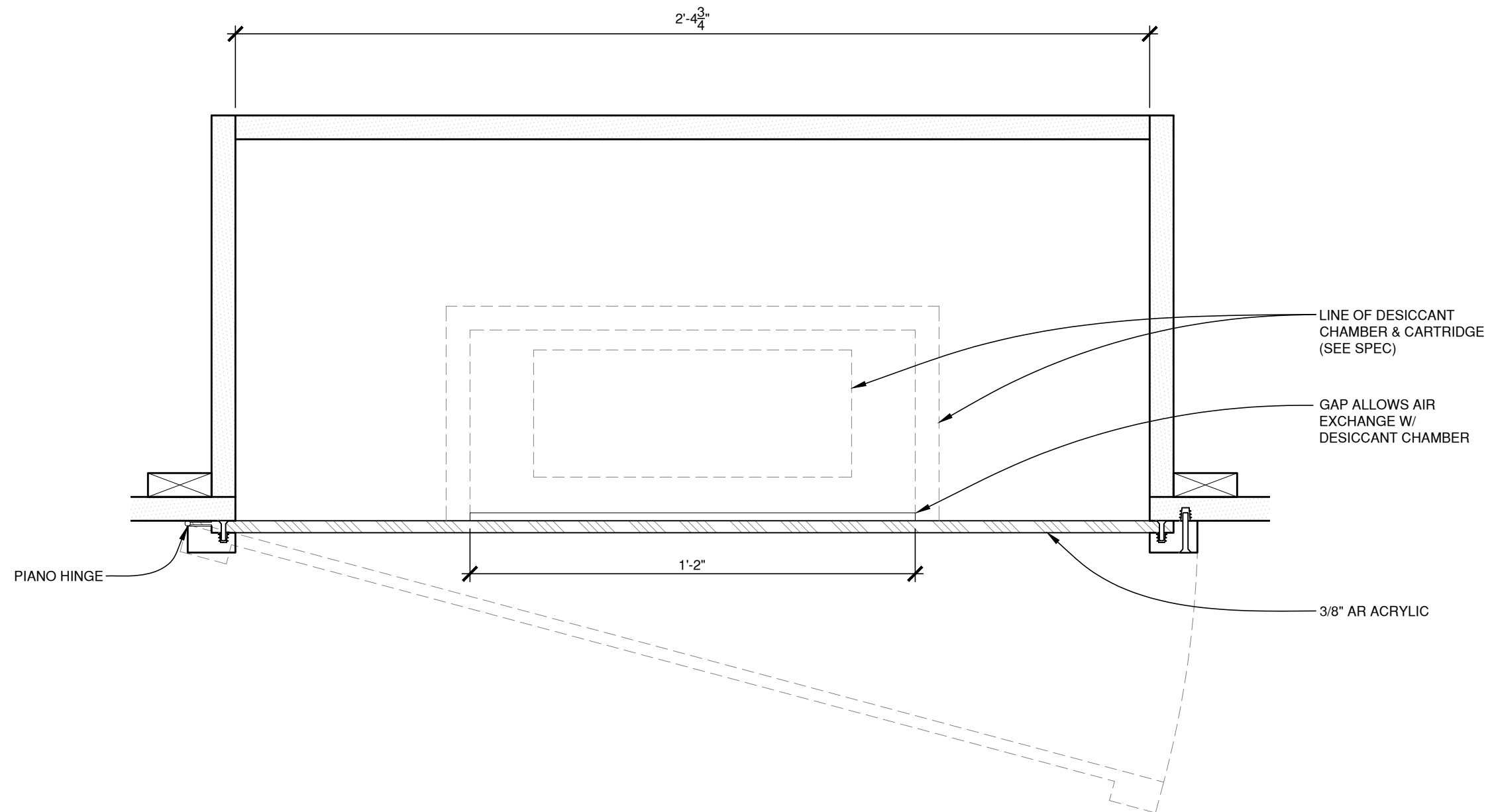


2 SECTION @ EX4-2: CABINET BASE  
SCALE: 1-1/2" = 1'-0"



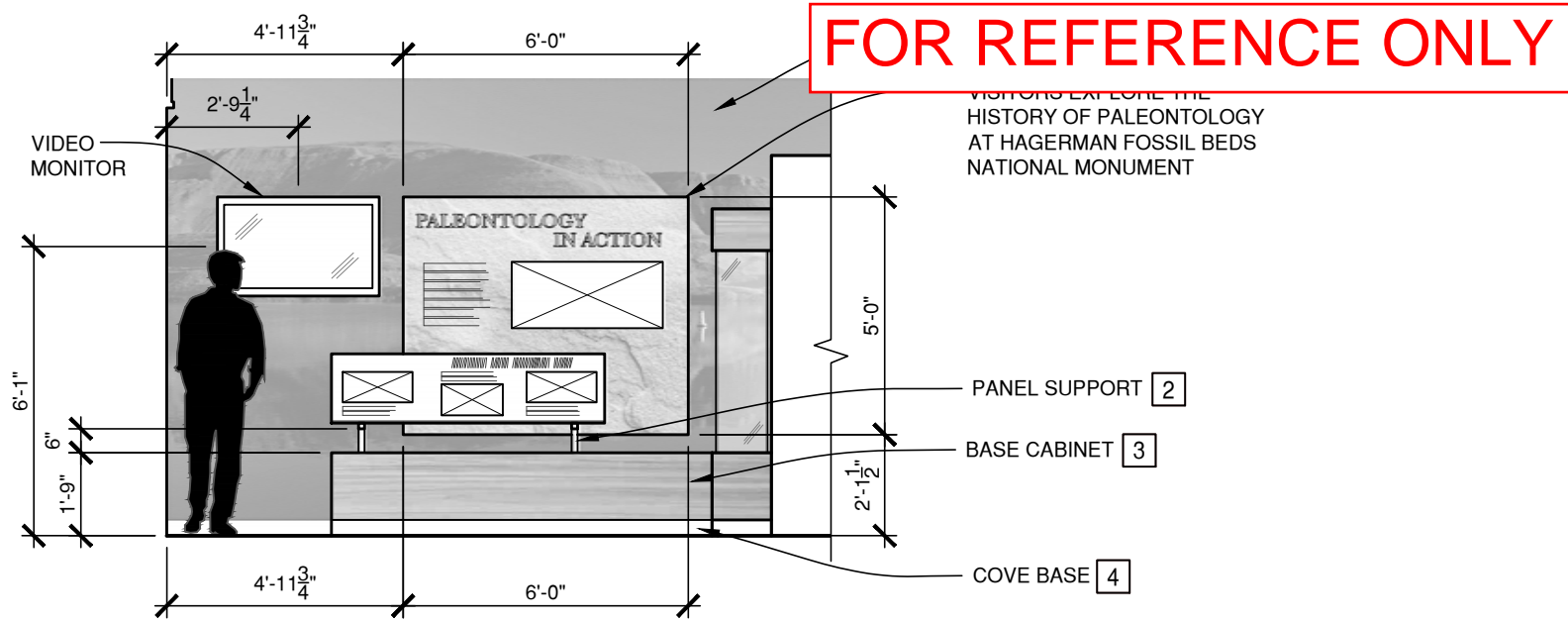
3 SECTION @ EX4-2: CABINET MIDDLE  
SCALE: 3" = 1'-0"





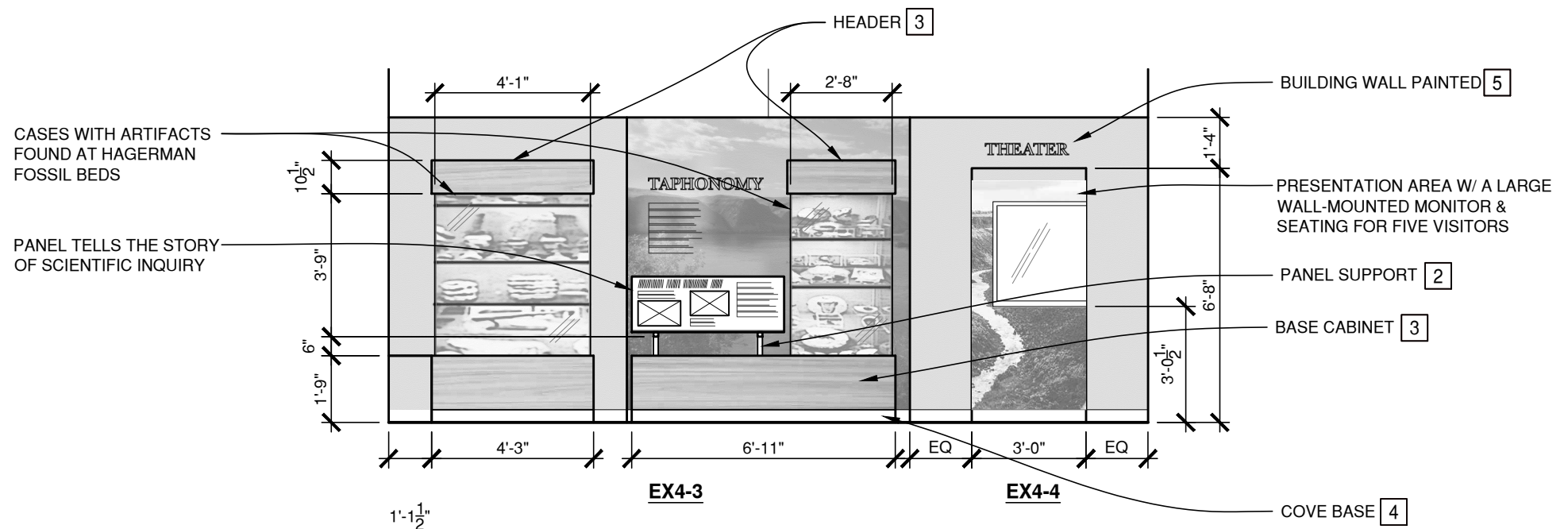
1 PLAN SECTION @ EX4-2: ARTIFACT CASE  
SCALE: 3" = 1'-0"

# EX4: INTERIOR EXHIBIT HALL



**FOR REFERENCE ONLY**

**1** ELEVATION @ EX4-3: SCIENTIFIC INQUIRY  
SCALE: 1/4" = 1'-0"



**2** FLATTENED ELEVATION @ EX4-3 & EX4-4:  
SCIENTIFIC INQUIRY & PRESENTATION AREA  
SCALE: 1/4" = 1'-0"

COPYRIGHT WARNING  
THIS PLAN & DESIGN IS AND AT ALL TIMES REMAINS  
THE EXCLUSIVE PROPERTY OF FORMATIONS INC.,  
WITHOUT WHOSE CONSENT IT MAY NOT BE USED  
ORIGINAL DRAWING IS 11x17, SCALE ACCORDINGLY IF REDUCED

**FORMATIONS**  
EXHIBITS + GRAPHICS + TECHNOLOGY

621 SE 202nd Ave  
Portland, OR 97233  
503.665.7110 main  
503.665.7188 fax

DESIGNER  
CJ  
DRAWN BY  
TEAM

PROJECT  
THOUSAND SPRINGS STATE  
PARK VISITOR CENTER  
HAGERMAN, IDAHO

TITLE  
EX4: INTERIOR EXHIBIT HALL

JOB NO.  
685  
PHASE  
3B - FINAL DESIGN @ 100%

ISSUE DATE  
07.28.20

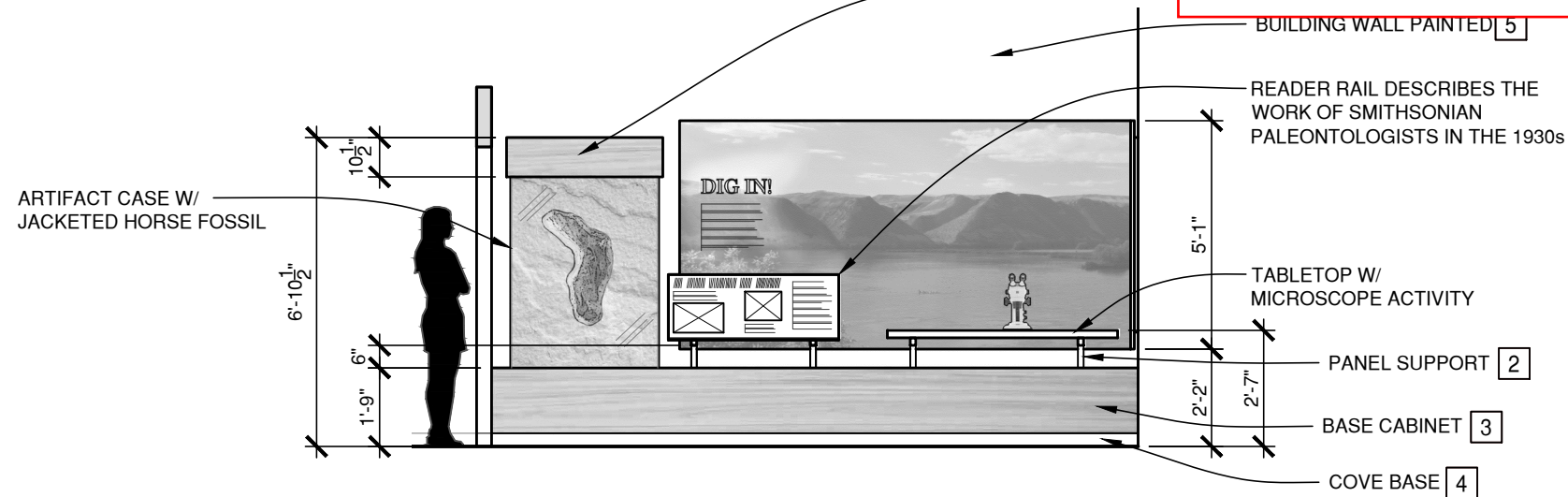
REVISIONS  
04.20.21  
08.23.21

SHEET

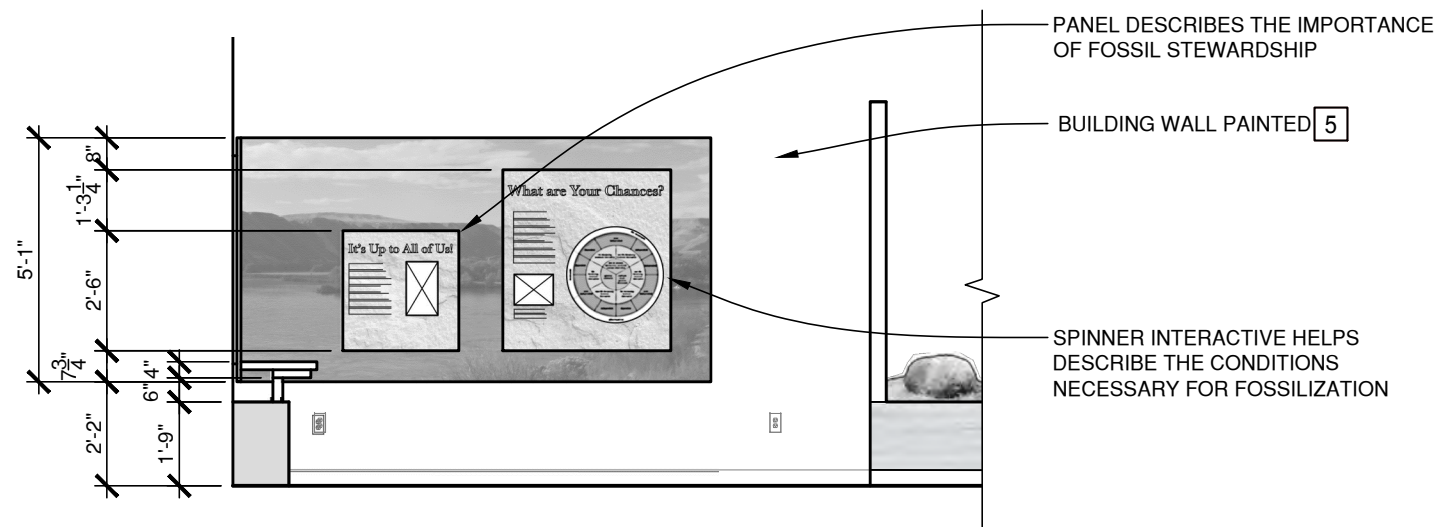
09

# EX4: INTERIOR EXHIBIT HALL

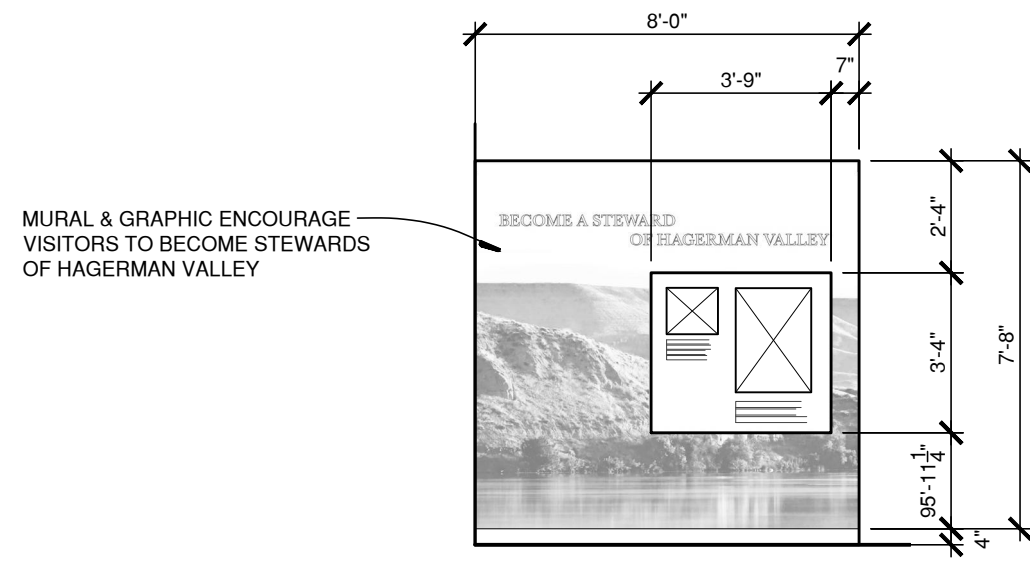
**FOR REFERENCE ONLY**



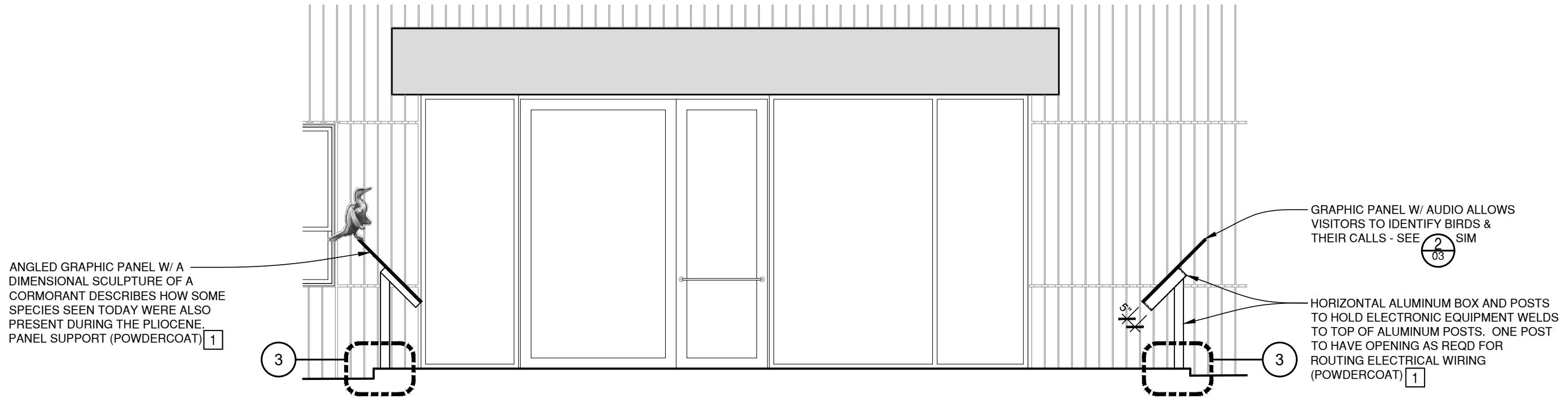
**1** ELEVATION @ EX4-5: SCIENCE TODAY  
SCALE: 1/4" = 1'-0"



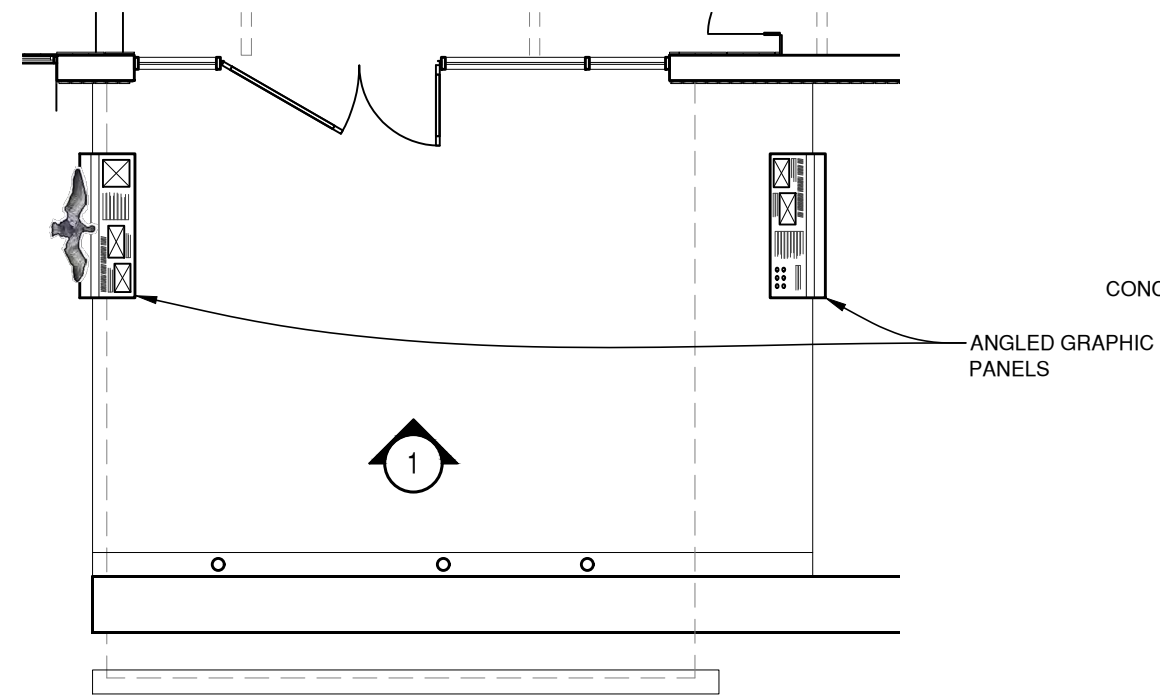
**2** ELEVATION @ EX4-5: SCIENCE TODAY  
SCALE: 1/4" = 1'-0"



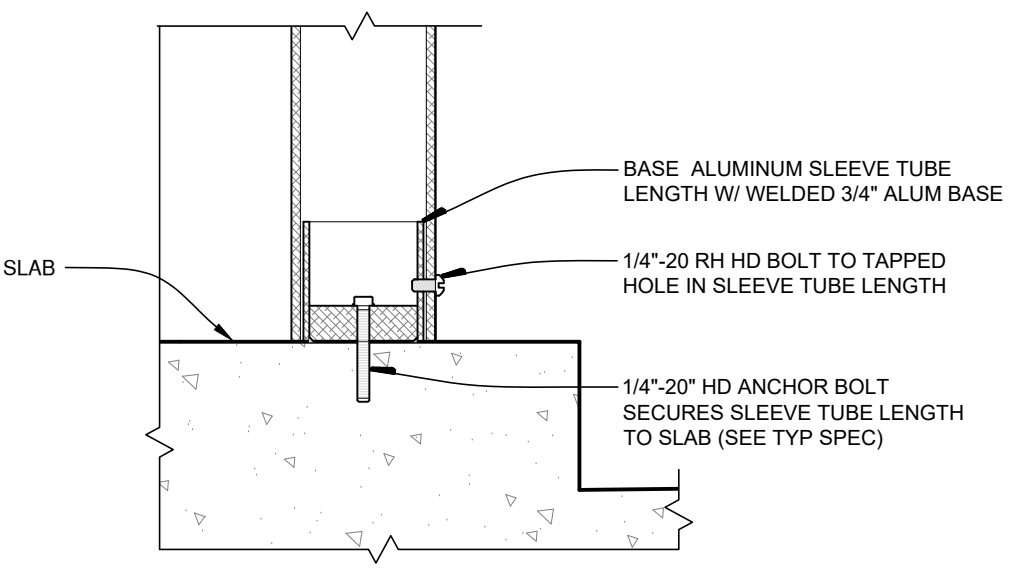
**3** ELEVATION @ EX4-6: WALL MURAL  
SCALE: 1/4" = 1'-0"



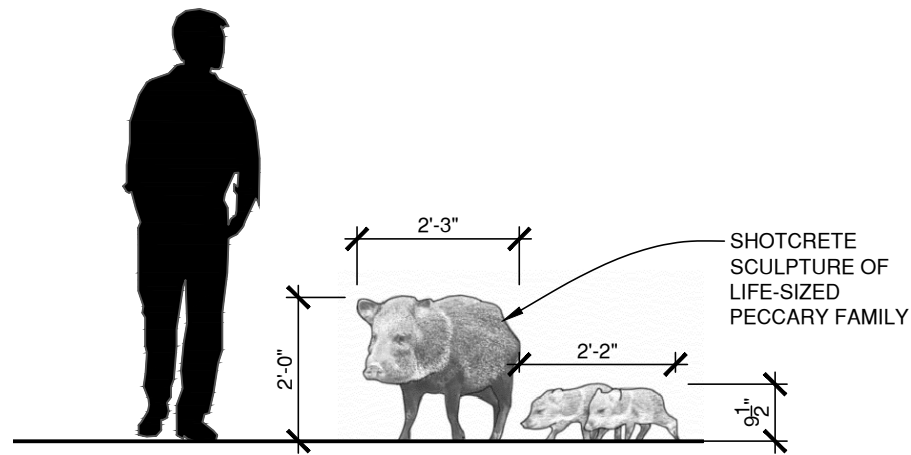
1 ELEVATION @ EX5-1: INTERPRETIVE PANELS  
SCALE: 1/4" = 1'-0"



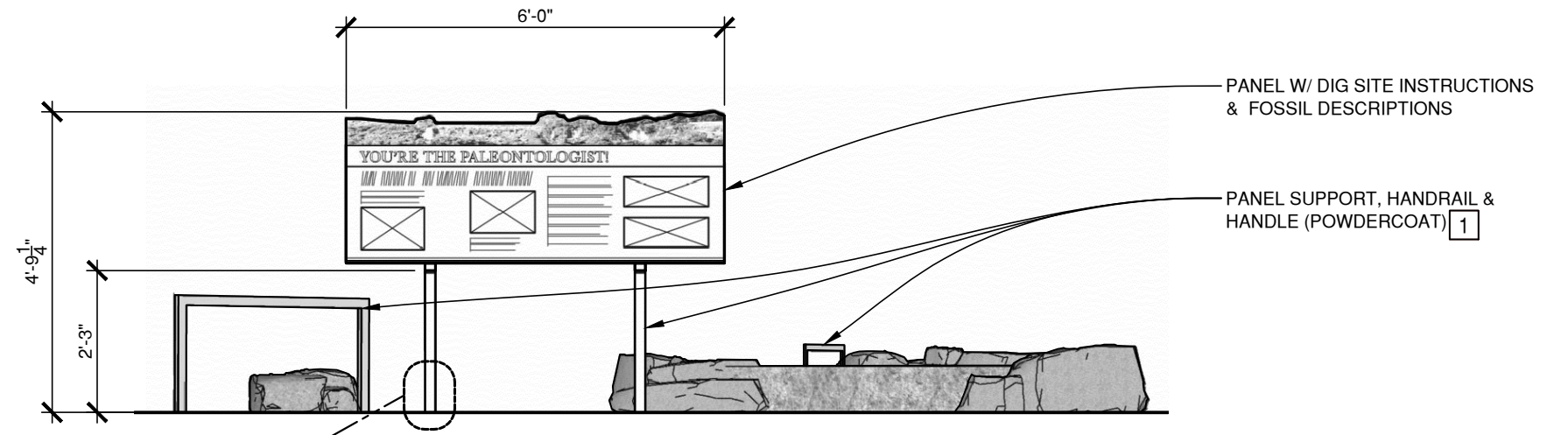
2 PLAN @ EX5-1: INTERPRETIVE PANELS  
SCALE: 1/8" = 1'-0"



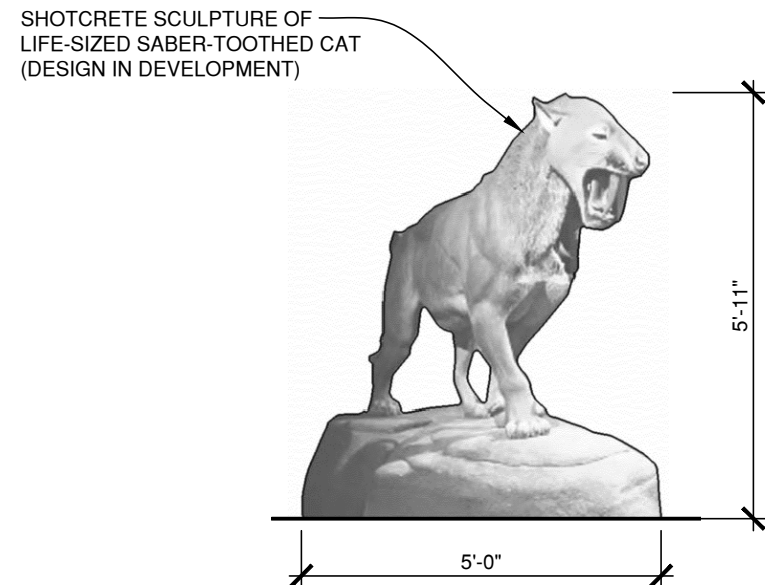
3 SECTION @ EX5-1: VERTICAL TUBING CONNECTION  
SCALE: 1/8" = 1'-0"



1 ELEVATION @ EX5-2: SCULPTURE  
SCALE: 3/8" = 1'-0"



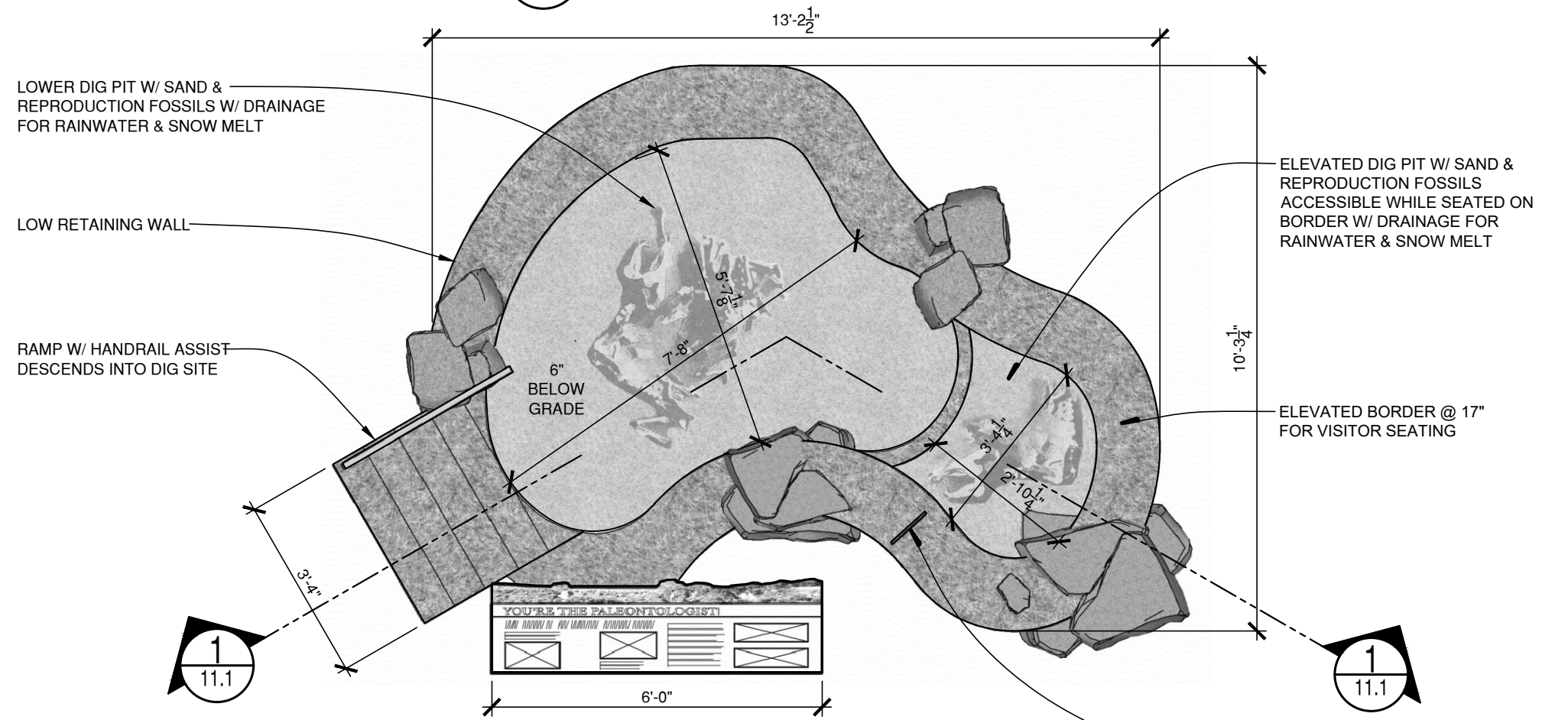
2 ELEVATION @ EX5-3: DIG SITE  
SCALE: 3/8" = 1'-0"



3 ELEVATION @ EX5-4: SCULPTURE  
SCALE: 3/8" = 1'-0"

LEGEND

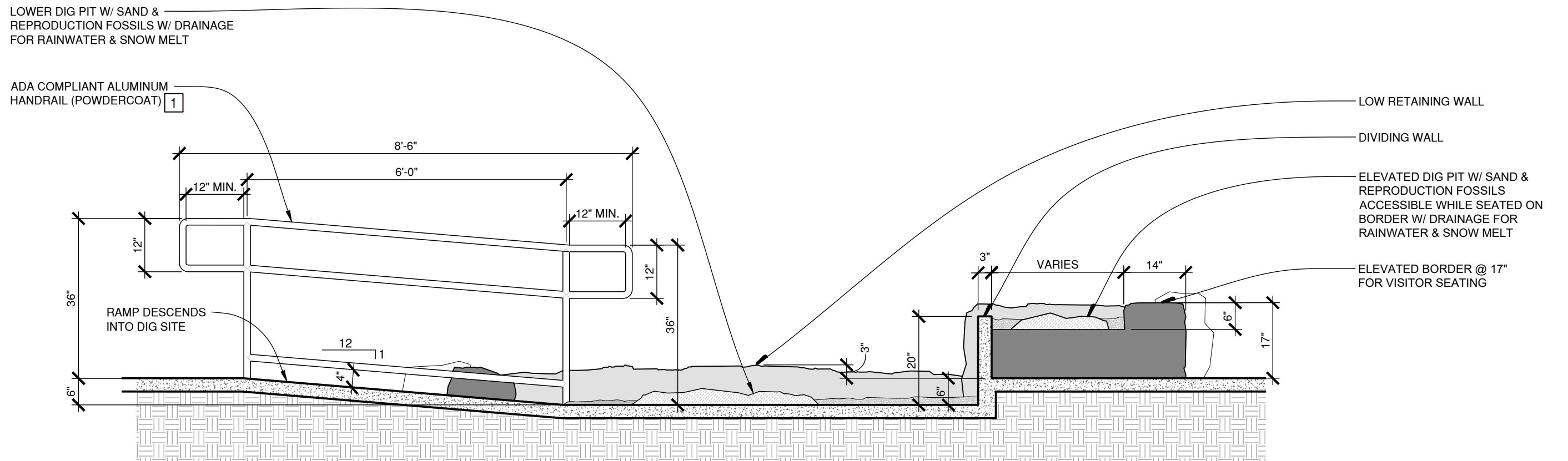
- EX5: EXTERIOR PATIO / INTERPRETIVE TRAIL
- EX5-2: SCULPTURE
- EX5-3: DIG SITE
- EX5-4: SCULPTURE



4 PLAN @ EX5-3: DIG SITE  
SCALE: 3/8" = 1'-0"

# EX5: EXTERIOR PATIO / INTERPRETIVE TRAIL

FOR REFERENCE ONLY



1 SECTION @ EX5-3: DIG SITE  
SCALE: 3/8" = 1'-0"