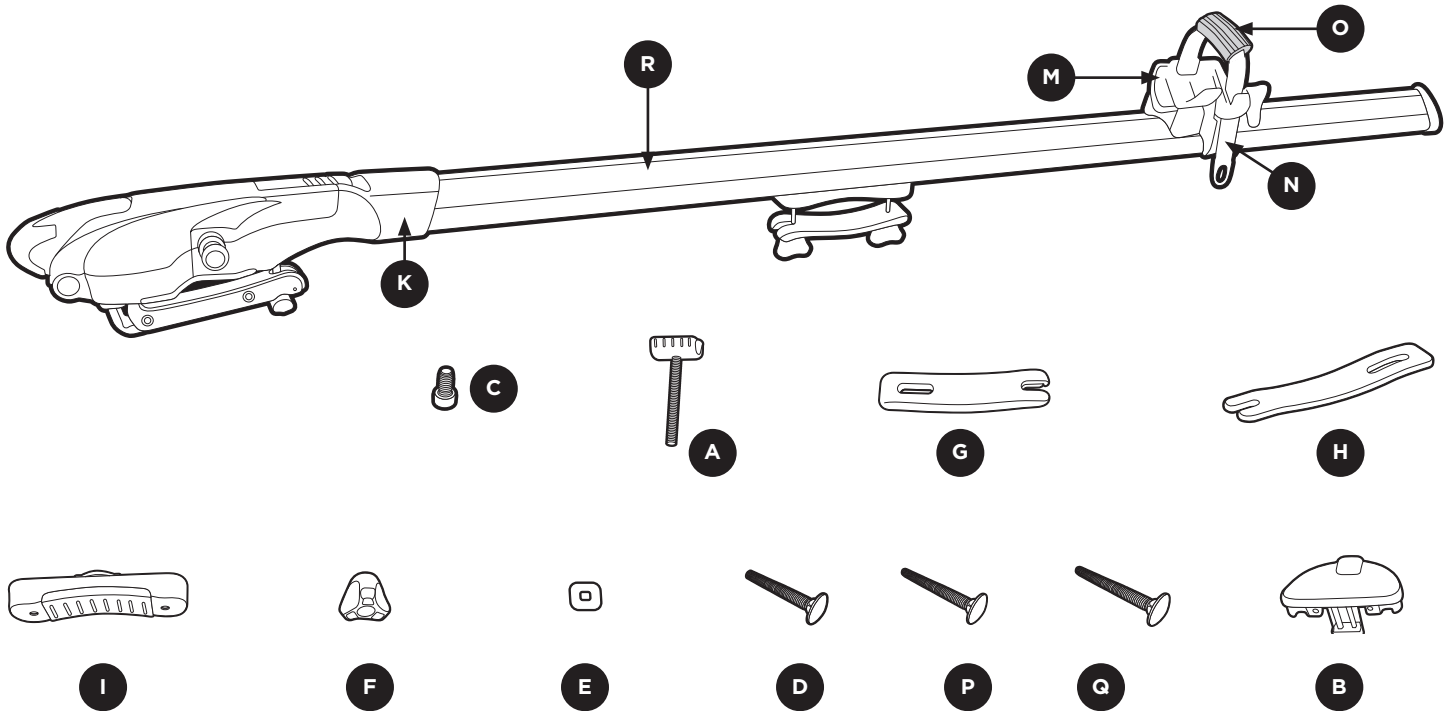


PARTS INCLUDED

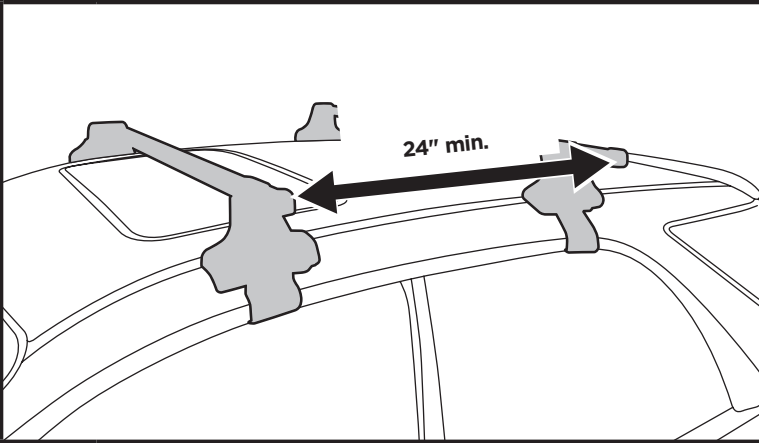


part	description	part number	qty.
A	front knob/bolt assembly	7521470001	1
B	extrusion end cap	8523306001	1
C	hex head bolt	8523566002	2
D	carriage bolt M6 x 65	915066554	2
E	bolt plate	8523278001	2
F	knob with M6 x 1.0 nut	8523476001	2
G	back clamp pad	8523346001	1
H	bottom back bracket	8523347001	1
I	rear clamp with pad	7521550001	1
K	Paceline head assembly	7521602001	1
M	wheel chock assembly	7521453001	1
N	chock wheel strap	8523285001	1
O	rim protector	8524274001	1
P	M6 x 80mm carriage	8523490001	2
Q	M6 x 55mm carriage	8523489001	2
R	tray spine tube	8523315002	1

Rear mounting hardware is preconfigured for Thule square and Yakima load bars. If mounting to another type of bar refer to fit guide at the back of these instructions to determine correct length bolt.

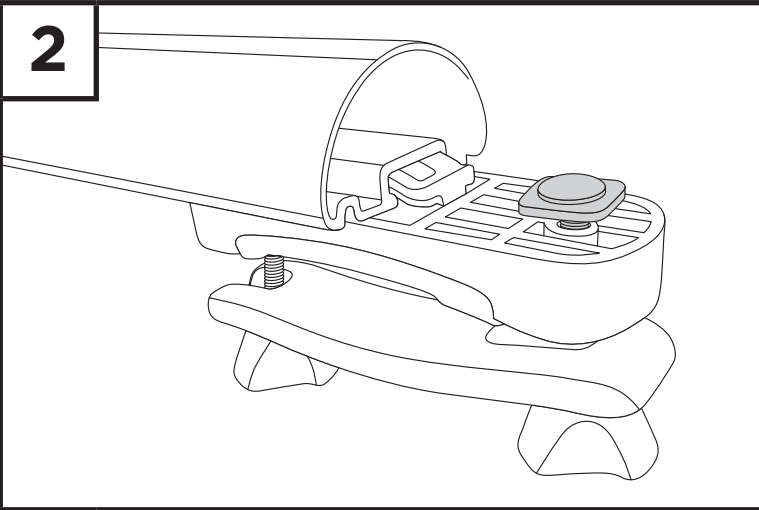
1

LOAD BAR SET UP



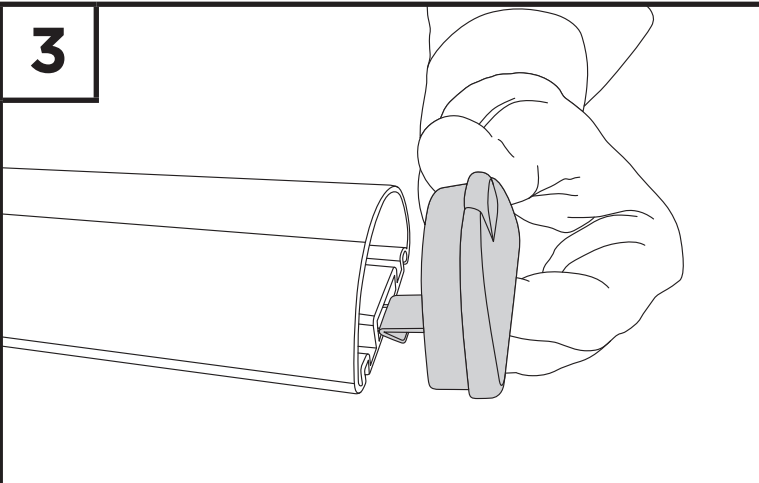
- Load bars should be a minimum of 24" apart with a maximum of 36" apart.

2



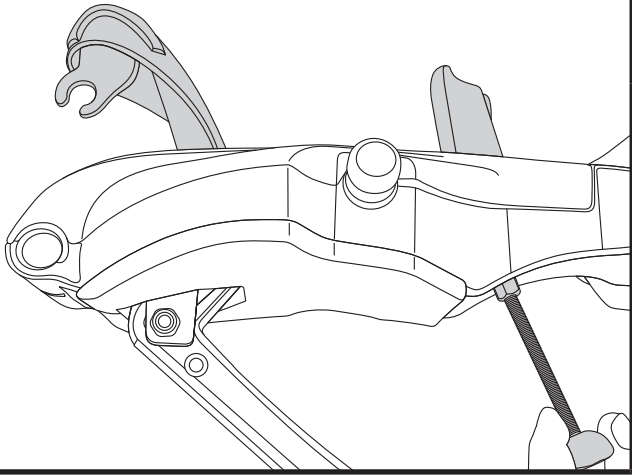
- Attach rear mounting assembly onto Spine Tube by inserting bolt plate / carriage bolt assembly and rear clamp friction tab into Spine Tube's slot.

3



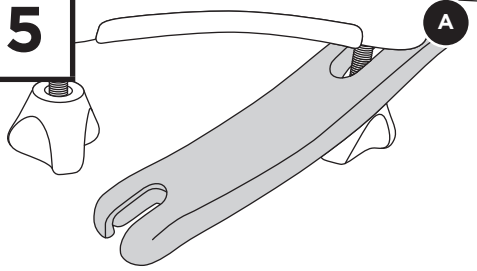
- Firmly push End Cap onto Spine Tube.

4



- Lift open nose cone. Lift back lever and thread front knob bolt assembly onto post.

5

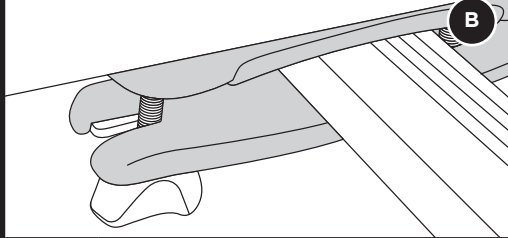


- Attach rear of carrier to load bar by loosely separating Bottom Back Bracket as illustrated.

NOTE:

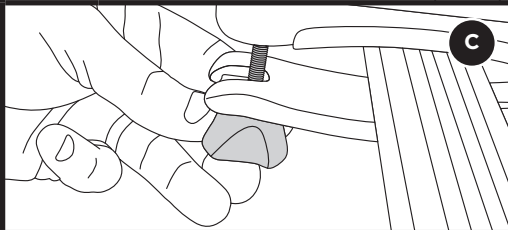
Knobs do not need to be fully removed.

B



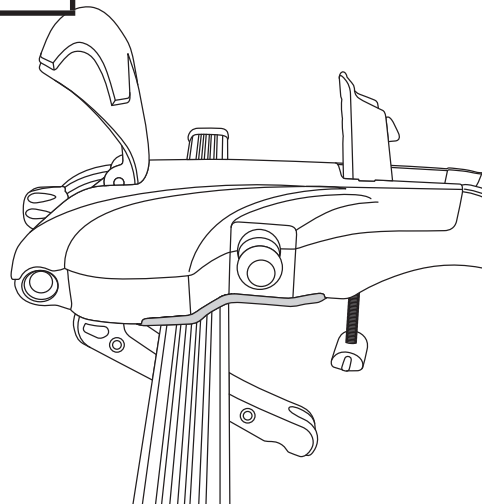
- Position Clamp Pad on top of bar and Bottom Back Bracket under bar.

C



- Tighten firmly and evenly.

6

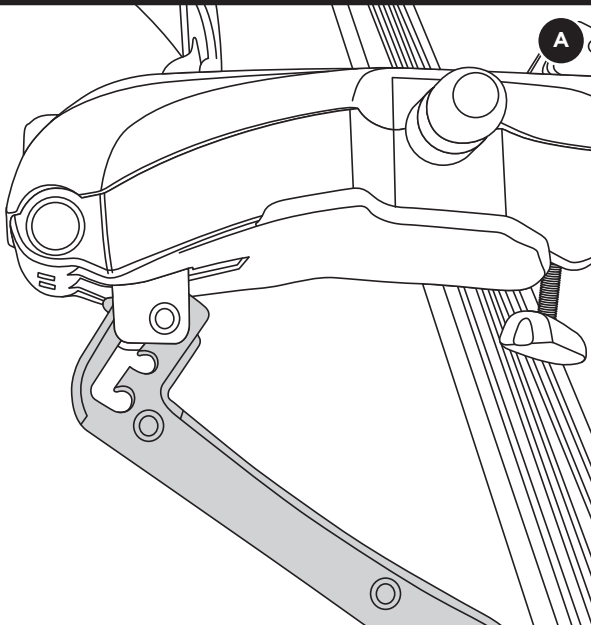


- Position Paceline Head on front load bar with both nose cone and rear lever open.

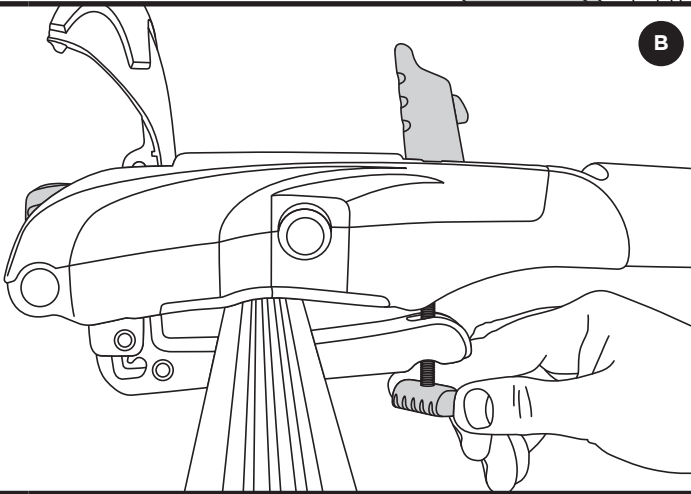
NOTE:

When mounting onto Thule's square bar be sure shoulder of head is centered on the load bar as illustrated. Nose cone must be opened during installation on any load bar.

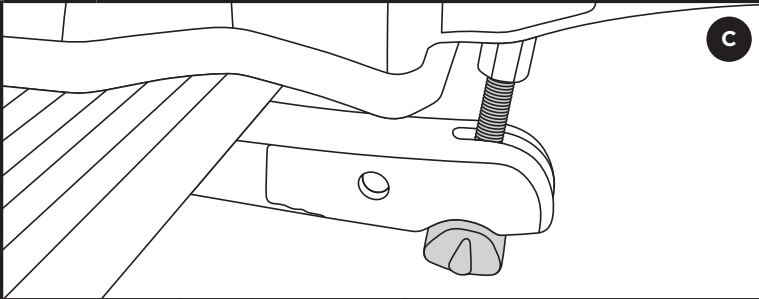
7



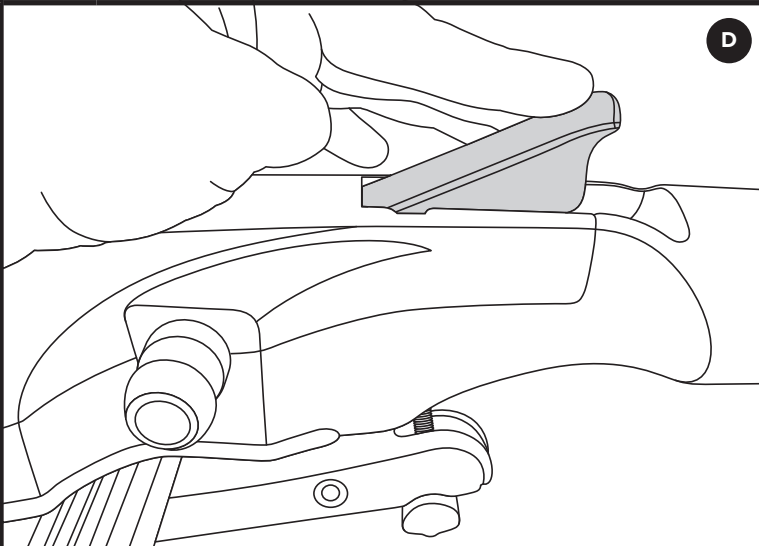
- Adjust the ladder clamp under the front head to one of three height settings to fit different bar widths. To adjust the ladder clamp, the clamp should be pulled toward the back of the tray, then raised or lowered and then pushed forward into a slot. Thule square or Aeroblade bars require the lower or middle slot while thicker diameter bars require the top slot setting.



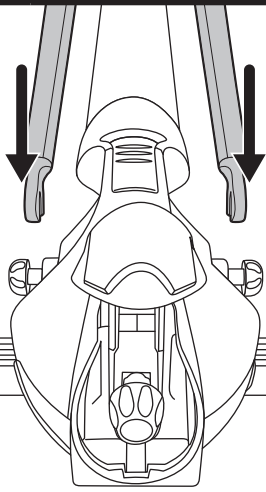
- Lift back lever to upright position, then tighten the front knob bolt assembly underneath the clamp until it feels snug.



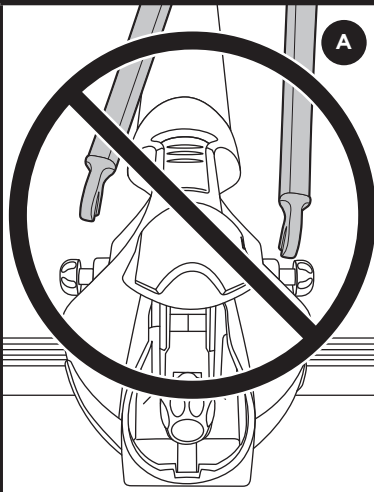
- Make sure knob is seated properly in the clamp's curved notch.



- Close Lever to fully tighten Paceline head to bar. There should be firm pressure when closing. If too loose or too tight adjust Front Knob/Bolt Assembly accordingly. Check for secure fit on bar by pushing / pulling head on load bar. If it feels loose, lift Lever and tighten Front Knob/Bolt assembly a couple of turns.



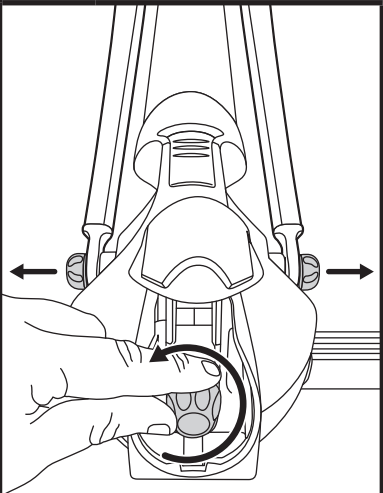
CORRECT



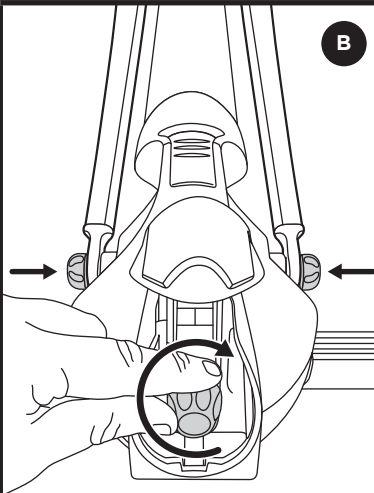
A

INCORRECT

- Remove front wheel of bike.
- Open cover.
- Insert bike forks.



LOOSEN

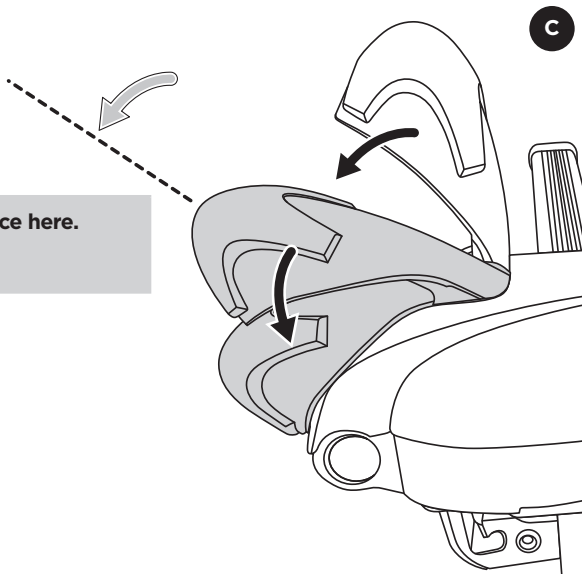


TIGHTEN

B

- Adjust clamping pressure by turning wheel.
Réglez la pression de serrage en tournant la molette.
Ajuste la presión de sujeción girando la rueda.

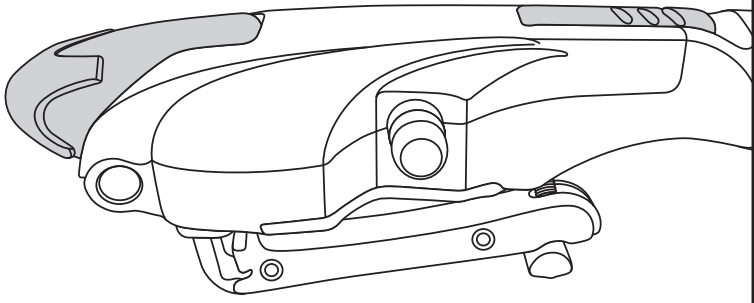
...feel resistance here.



C

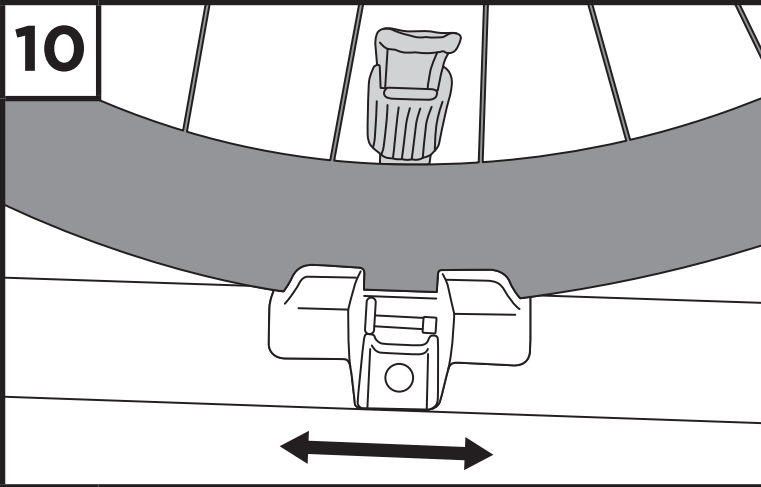
- Correct clamping pressure occurs when 1/2 way through arc, you...
- Push cover completely closed.

9



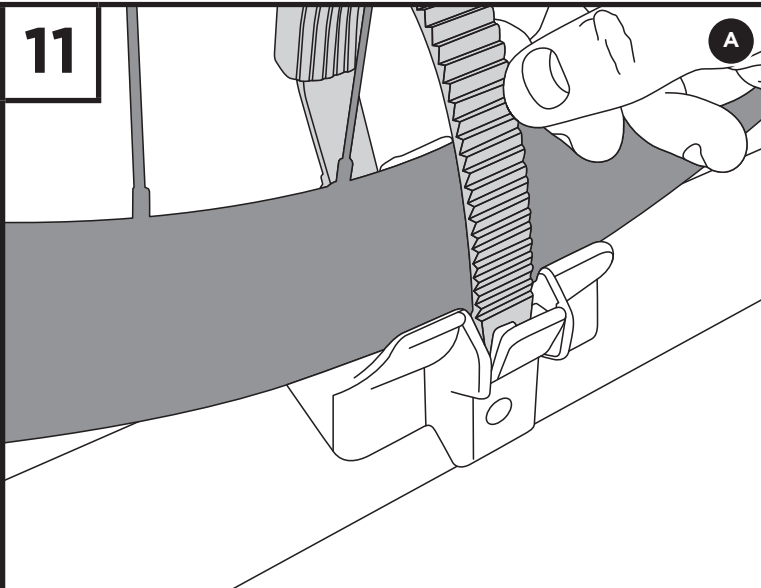
- When front nose hood is closed, you cannot raise and release back lever. To release back lever to remove bike carrier from load bar, you must raise front nose cone lever first.

10

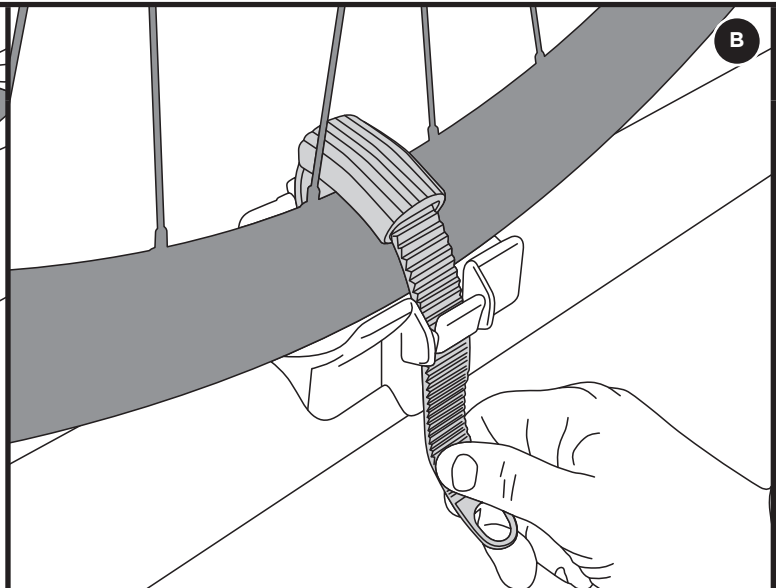


- Position Wheel Chock underneath wheel.

11



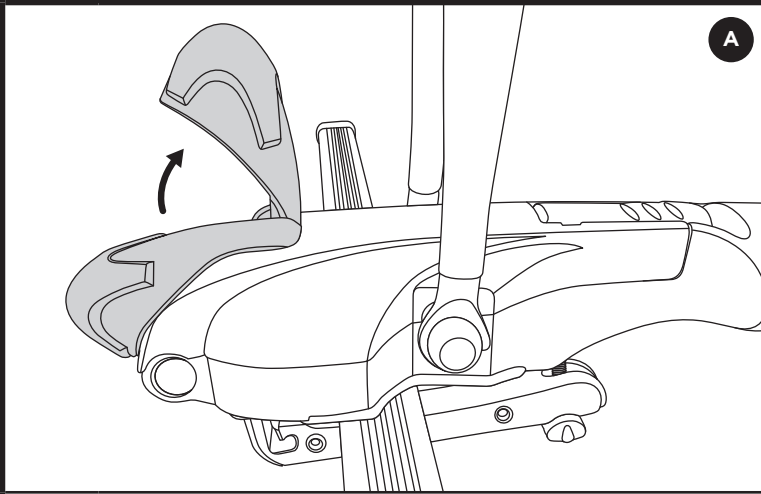
- Pull Wheel Strap over rim and position Rim Protector directly over rim.



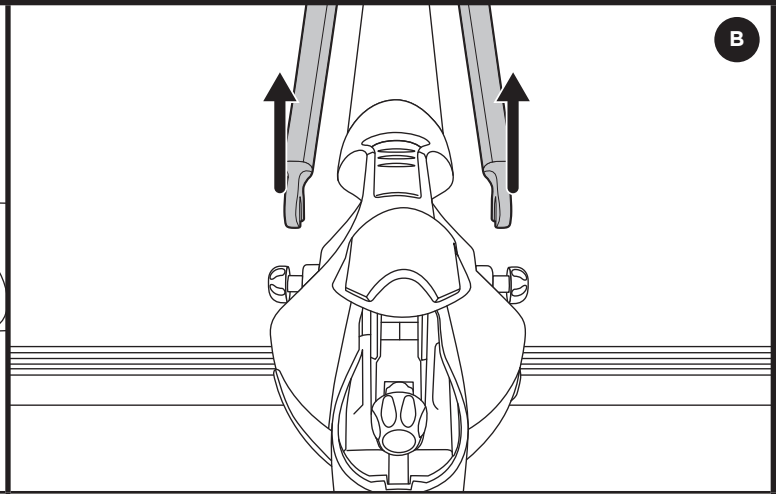
- Insert Strap through buckle and pull firmly.

12

TO RELEASE FORKS



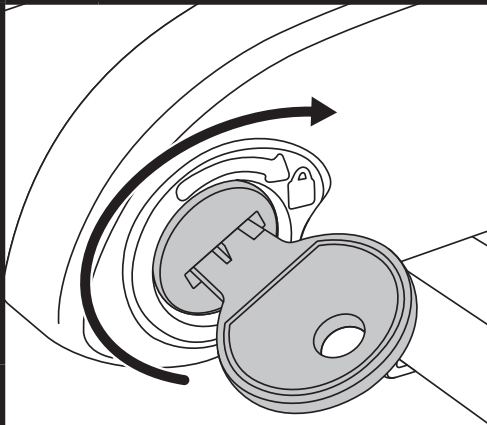
- Open cover.



- Lift forks straight out.

13

LOCKING CARRIER



- Thule One-Key lock cylinders sold separately. Insert lock cylinder with change key and turn to lock. One lock cylinder locks bike to carrier and carrier to vehicle load bar.

NOTE: Locking deters theft of bike and carrier.



2014 ACCESSORY TO FACTORY RACK FIT GUIDE

Circuit™ 526, Paceline™ 527 and Sidearm™ 594XT

LOAD BARS	RECOMMENDED BOLT SIZE (mm)		
	55	65	80

THULE

AEROBLADE (ARB) BARS			✓
RAPID AERO (RB) BARS		✓	
STEEL (LB) BARS	✓		
422 XSPORTER BARS			✓
500 XSPORTER PRO BARS			✓
PRO BARS			✓

INNO

LOAD BAR	✓		
----------	---	--	--

SPORTRACK

LOAD BAR	✓		
----------	---	--	--

YAKIMA

ROUND BAR	✓		
WHISPBAR		✓	

VEHICLE MAKE, MODEL, AND YEAR	RECOMMENDED BOLT SIZE (mm)		
	55	65	80

ACURA

MDX	'07-14	✓	
RDX	'07-14	✓	
TSX Sport Wagon	'11-14	✓	
ZDX	'10-13	✓	

AUDI

Allroad	'13-14	✓	
A4 (Avant) Wagon	'02-12	✓	
A6 Wagon	'06-11	✓	
Q5	'09-14		✓
Q7	'07-14		✓
S4 Wagon	'01-08	✓	

BMW

X6	'09-14		✓
----	--------	--	---

BUICK

Enclave	'08-14		✓
Encore	'13-14		✓
Ranier	'04-07	✓	
Rendezvous	'02-07		✓

CADILLAC

CTS Sport Wagon 5DR	'10-14	✓	
Escalade / Escalade ESV	'99-15	✓	
Escalade EXT Pickup	'02-15	✓	
SRX (Except "Sport Models")	'04-14	✓	

CHEVROLET

Astro Van (Cargo & Passenger)	'94-05	✓	
Avalanche	'02-13		✓
Blazer	'95-05	✓	
Captiva	'11-14		✓
Equinox	'05-14		✓

VEHICLE MAKE, MODEL, AND YEAR	RECOMMENDED BOLT SIZE (mm)		
	55	65	80

CHEVROLET (continued)

HHR	'06-11		✓
Spark 5DR	'13-14	✓	
Suburban / Suburban Z71	'92-15	✓	
Tahoe / Tahoe Z71	'95-15	✓	
Tracker	'02-04		✓
Trax	'13-14	✓	
Traverse	'09-14		✓
Venture	'97-04	✓	

CHRYSLER

Pacifica	'04-08	✓	
PT Cruiser	'01-10		✓
Town & Country	'96-14	✓	
Voyager / Grand Voyager	'01-03	✓	

DODGE

Caliber / SRT4 / SXT	'07-12	✓	
Caravan / Grand Caravan	'96-14	✓	
Durango / Durango Sport	'98-14	✓	
Journey	'08-14	✓	
Nitro	'07-11	✓	

FORD

Edge / Edge Sport	'07-14	✓	
Escape	'01-14	✓	
Escape (Glass Roof)	'13-14	✓	
Expedition / Expedition EL	'97-14		✓
Explorer	'91-14		✓
Explorer Sport	'01-03		✓
Explorer Sport Trac	'01-10		✓
Flex	'08-14	✓	
Freestar	'04-07	✓	
Taurus Wagon	'96-06	✓	
Windstar	'98-03	✓	

GMC

Acadia	'07-14		✓
Denali	'98-06		✓
Denali XL	'00-06		✓
Envoy	'98-01	✓	
Jimmy	'95-01	✓	
Safari Van (Cargo & Passenger)	'90-05	✓	
Suburban	'92-99	✓	
Terrain	'10-14	✓	
Terrain Denali	'12-14	✓	
Yukon / Yukon XL	'92-15	✓	
Yukon Denali / Yukon Denali XL	'07-15	✓	

HONDA

Crosstour	'10-14		✓
CR-V	'02-14		✓
Element / Element SC	'03-11	✓	
Odyssey	'01-14		✓
Passport	'98-02	✓	
Pilot	'03-14	✓	
Ridgeline / Ridgeline Sport	'06-14		✓



2014 ACCESSORY TO FACTORY RACK FIT GUIDE

Circuit™ 526, Paceline™ 527 and Sidearm™ 594XT

VEHICLE MAKE, MODEL, AND YEAR	RECOMMENDED BOLT SIZE (mm)		
	55	65	80

HUMMER

H3	'05-10		✓	
H3T	'09-10		✓	

HYUNDAI

Elantra GT 5DR	'13-14		✓	
Entourage	'07-10	✓		
Santa Fe	'01-14	✓		
Santa Fe Sport	'13-14	✓		
Tucson	'05-14			✓

INFINITI

EX 35	'08-12		✓	
EX 37	'13		✓	
FX 35	'03-13		✓	
FX 45	'03-08		✓	
FX 50	'09-13		✓	
QX4	'97-03		✓	
QX50	'14		✓	
QX56	'04-13		✓	
QX60	'14		✓	
QX70	'14		✓	
QX80	'14		✓	

ISUZU

Ascender	'03-10	✓		
Rodeo	'98-04	✓		

JEEP

Cherokee	'14	✓		
Commander (Standard Crossbars)	'06-10		✓	
Compass / Rallye	'07-14	✓		
Grand Cherokee	'93-14	✓		
Liberty	'02-12	✓		
Patriot	'07-14	✓		

KIA

Borrego	'09-12		✓	
Carens	'07-14	✓		
Rondo	'07-14	✓		
Sedona	'02-14	✓		
Sorento	'03-14		✓	
Soul	'10-14		✓	
Sportage	'11-14	✓		

LAND ROVER

Evoque SDR	'12-14			✓
LR2	'07-14		✓	
LR3	'05-09			✓
LR4	'10-14			✓
Range Rover / Range Rover Sport	'98-14			✓

LEXUS

GX	'03-14	✓		
LX	'99-14		✓	
RX	'04-14	✓		

VEHICLE MAKE, MODEL, AND YEAR	RECOMMENDED BOLT SIZE (mm)		
	55	65	80

LINCOLN

Aviator	'03-05		✓	
MKX	'07-14		✓	
Navigator	'98-14		✓	

MAZDA

CX-5	'12-14		✓	
CX-9	'07-14		✓	
MPV	'00-06		✓	
Protégé 5 Wagon	'02-03		✓	
Tribute	'01-11		✓	

MERCURY

Mariner	'05-10	✓		
Monterey	'04-07		✓	
Mountaineer	'96-10		✓	
Sable Wagon	'96-05		✓	
Villager	'93-02	✓		

MINI

Clubman	'08-14		✓	
---------	--------	--	---	--

MITSUBISHI

Endeavor	'04-11		✓	
Montero Sport	'97-00		✓	

NISSAN

Armada	'04-14			✓
Frontier 4DR Crew Cab	'00-14		✓	
Murano	'03-14		✓	
Pathfinder	'96-14		✓	
Quest	'99-14		✓	
Rogue	'08-13		✓	
Xterra	'00-14			✓

OLDSMOBILE

Bravada	'91-04	✓		
Silhouette	'97-04	✓		

PONTIAC

Aztek	'01-05	✓		
Montana	'99-05		✓	
Torrent	'06-09	✓		
Trans Sport	'97-98	✓		
Vibe	'03-10	✓		

PORSCHE

Cayman	'06-13		✓	
--------	--------	--	---	--

SATURN

Outlook	'07-10		✓	
Vue	'02-05		✓	



2014 ACCESSORY TO FACTORY RACK FIT GUIDE

Circuit™ 526, Paceline™ 527 and Sidearm™ 594XT

VEHICLE MAKE, MODEL, AND YEAR	RECOMMENDED BOLT SIZE (mm)		
	55	65	80

SUBARU

Baja 4DR	'03-07	✓		
Forester	'98-14		✓	
Impreza 5DR	'12-14		✓	
Impreza WRX / WRX STI 4DR	'02-14		✓	
Impreza WRX / WRX STI 5DR	'02-14		✓	
Legacy Wagon	'95-99		✓	
Outback Sport	'02-11	✓		
Outback Sport / WRX / STI Wagon	'02-11		✓	
Outback Wagon	'00-14		✓	
Tribeca	'06-14		✓	
XV Crosstrek	'12-14		✓	

SUZUKI

Grand Vitara	'06-13	✓		
XL-7	'07-09	✓		

TOYOTA

4Runner	'90-14	✓		
FJ Cruiser	'07-14		✓	
Highlander	'01-14		✓	
Land Cruiser	'98-14		✓	
Matrix	'03-14	✓		
RAV4	'01-12		✓	
Sequoia	'01-14		✓	
Sienna	'98-14	✓		
Tacoma 4DR Quad Cab	'05-14	✓		
Venza	'09-14	✓		

VOLKSWAGEN

Golf Wagon (Canada)	'10-14	✓		
Jetta SportWagen	'09-14	✓		
Routan	'09-14	✓		
Tiguan	'08-14		✓	
Touareg	'04-14			✓

VOLVO

V50	'05-11		✓	
V70	'98-10		✓	
V70 XC	'98-10		✓	
XC60	'09-14		✓	
XC70	'01-14		✓	
XC90	'03-14		✓	