

VULY | Thunder[®]

MANUAL



Attention!

SAFETY INFORMATION, INSTALLATION, CARE AND MAINTENANCE INSTRUCTIONS. READ PRIOR TO ASSEMBLING AND USING THE PRODUCT.

Vuly cares about safety. Adult supervision is required at all times whilst equipment is in use.

Visit www.vulyplay.com/install for step by step video instructions, or scan this QR code:



Contents

Read and follow all instructions in this manual before using your trampoline, and do not use the trampoline in any way that is not described in this manual.

Responsibility rests with the owner and supervisors of the trampoline to make sure that all users are aware of the practices specified in this manual.

| | |
|---|----|
| 1.0. Disclaimer..... | 4 |
| 2.0. Care and Maintenance..... | 5 |
| 2.1. General care | 5 |
| 2.2. Rust and corrosion..... | 5 |
| 2.3. Textile deterioration | 5 |
| 2.4. Weather care..... | 5 |
| 2.5. Relocation..... | 5 |
| 2.6. Inspection checklist..... | 6 |
| 3.0. Usage and Behaviour..... | 6 |
| 3.1. Safe use information | 6 |
| 3.2. Safe use instructions | 7 |
| 3.3. Basic trampolining instructions..... | 7 |
| 4.0. HexVex™ Games | 8 |
| 5.0. Installation..... | 9 |
| 5.1. Location planning | 9 |
| 5.2. Parts checklist..... | 9 |
| 5.3. Assembly instructions | 10 |
| 6.0. Product registration | 16 |
| 7.0. Half-price replacement parts | 16 |
| 8.0. Warranty..... | 16 |
| 8.1. Warranty periods..... | 16 |
| 8.2. Inclusions | 16 |
| 8.3. Exclusions | 16 |
| 8.4. Warranty Claims..... | 17 |
| 8.5. Australian Consumer Law | 18 |
| 9.0. Missing parts..... | 18 |

1.0. Disclaimer

The following Conditions of Sale will apply to, and bind the purchaser of, any Vuly Trampolines Pty. Ltd. ABN: 91 160 793 706 product.

NOTICE TO USER:

Please read this agreement carefully before purchase or assembly. By purchasing, opening and assembling this product you acknowledge that you have read this agreement, understand it and agree to be bound by its conditions. If you are making a purchase on behalf of another person, you agree that you are making the purchase as their agent.

LEGAL RIGHTS – PLEASE READ:

EXCLUSION OF LIABILITY – WAIVER OF RIGHT TO SUE – YOUR ASSUMPTION OF RISK – THESE CONDITIONS AFFECT YOUR LEGAL RIGHTS.

Vuly Trampolines Pty. Ltd. ABN: 91 160 793 706 (“Vuly”), as supplier of trampolines and accessories (“Products”), sells all Products subject to the following conditions:

1. To the maximum extent permitted by the law, Vuly, its employees, directors and agents will not be liable to the customer, their dependents or legal representatives for damage to property, personal injury or death suffered by the customer because the Product was not manufactured or supplied with due care and skill, the Product is not reasonably fit for its purpose or because of negligence, breach of contract, breach of statute or breach of statutory duty by Vuly.

2. Vuly, its employees, directors and agents are not liable to the customer, their dependents or legal representatives for personal injury or death suffered by the customer because the Product was not:
 - a. installed in accordance with the Vuly instruction manual. It is the customer’s responsibility to check all boxes to confirm that all components are included and in the correct condition before assembly.
 - b. installed with due care and skill, by a the customer or a third party assembly service; and
 - c. in the same condition as when the Product was supplied, due to wear and tear – including, but not limited to, weather damage, deterioration of the net, spring stretch, UV deterioration or rust.
3. The customer acknowledges that using the Product can be dangerous, with inherent risks and hazards. As a consequence, personal injury or death may occur. The customer assumes and accepts all such risks, and hereby – to the full extent permitted by law – waives the right of action against, and fully releases Vuly for, loss, damages, personal injury or death in any way caused by, or relating to, the customer’s participation in such activities.

This includes – without limitation – liability for any negligent or tortuous acts or omission, breach of duty, breach of contract or breach of statutory duty on the part of Vuly, its office bearers, directors, employees or agents.

RISK WARNING:



The use of the Product involves a significant risk of participants suffering personal injury including the possibility of serious injuries, permanent disability or death. All participants who engage in activities with the Product do so at their own risk.



ADULT SUPERVISION IS REQUIRED AT ALL TIMES WHILST EQUIPMENT IS IN USE. VULY CARES ABOUT SAFETY.

2.0. Care and Maintenance

Improper maintenance or lack of care can lead to your trampoline deteriorating earlier than expected. Please follow these care instructions to ensure that your trampoline lasts for as long as possible.

Consumers must not modify the original trampoline, unless carried out according to Vuly instructions.

2.1. General care

- Retain this Manual.
- Inspect before and after each use. It is essential that you replace any worn, defective or missing parts immediately and only through Vuly.
 - See 2.6 Inspection checklist.
- Ensure that the Safety Net is always correctly attached and in good condition.
 - Replace the Safety Net every 1 year.
- Keep away objects that could damage textile components.
- Ensure that moving steel components remain well lubricated.
- Check that all spring-loaded joints remain intact and cannot become dislodged during use.
- Use only Vuly-made accessories.
- Use only parts that are recommended by Vuly.

2.2. Rust and corrosion

- Be aware of areas that are particularly prone to rusting:
 - Places where water is easily trapped.
 - Hollow sections of steel (which can appear in good condition on the outside, while hiding rust on the inside).
 - Sections where steel components join together.
- Inspect the inside of all Frame Tubes and Net Poles every 6 months – as well as after rain – and remove any water from the inside surfaces.
- Check Frame Tube and Net Pole connection areas for rust.
- Use general-purpose grease on steel connection areas.
- Avoid cleaning steel components excessively; it may reduce the effectiveness of our protective coatings.

2.3. Textile deterioration

- Clean your Jump Mat with a soft sponge only, to avoid prematurely wearing the textiles.
- Avoid using powerful soaps or detergents; they can damage the textiles.
- Wipe dry with an absorbent cloth any water left after rain, cleaning or use of the Vuly Mister accessory. The Jump Mat may discolour or form spots, if left to dry in the sun.
- Remove textile parts, and store them – in their original packaging – in a cool, dry and dark place when the trampoline will be unused for over 1 month. Prolonged exposure to UV sunlight can shorten the lifespan of the Safety Net.

2.4. Weather care

Components of this trampoline are susceptible to deterioration from use and environmental conditions – such as sunlight, rain, salt and heat – to varying degrees.

If your trampoline will be unused for any extended period, disassemble it, return it to its original packaging and store it in a dry place.



RAIN: Remove any fallen debris on your trampoline after rain and wipe off residual water with a dry cloth. Moisture left on the trampoline may contribute to the corrosion of steel components and weaken textiles.



WIND: Disconnect the Safety Net from the Net Poles, and cover the Safety Net and Jump Mat with a storm cover.



COLD: Disassemble your trampoline and store the Jump Mat and Safety Net indoors.



HEAT: Move your trampoline to where it will receive the most shade during the brightest times of the day. Cover when not in use to minimise UV damage.

In certain countries during the winter period, the snow load and the very low temperature change can damage the trampoline. It is recommended to remove the snow and store the *mat* and the *enclosure* indoors; checking that the mat, padding and enclosure are without defects.

2.5. Relocation

- Move the trampoline with a minimum of 8 adults, to ensure that the lift is within heavy lifting regulations.
- Move the trampoline short distances using the official Vuly Wheels accessory for your trampoline model. Remove after use.
- Do not drag the trampoline. Parts may bend or warp if insufficiently lifted.
- Avoid tilting the trampoline or resting it on its side; the frame may bend under its own weight.
- Disassemble the trampoline, and return it to its original packaging, to transport it over long distances.

COMPONENTS WILL DETERIORATE OVER TIME.

Note: Sunlight, rain, snow and extreme temperatures reduce the strength of components over time.

Record your date of purchase here:

| | | |
|---|---|---|
|  | / | / |
|---|---|---|

2.6. Inspection checklist

Use this checklist to inspect your trampoline before each use. Replace any worn, defective, or missing parts to avoid potential hazards.

If you discover any safety issues, do not use the trampoline. Contact Vuly to order and replace any parts.

Frame

- Bends, cracks, twists or breaks
- Rust spots
- Sharp protrusions

Leaf Springs

- Broken, bent or missing Leaf Springs
- Rust spots
- Sharp protrusions

Jump Mat

- Punctures, frays, tears or holes
- Deterioration of, or damage to, the stitching or fabric
- Sagging fabric
- Sharp protrusions in the suspension system elements
- Broken, damaged or bent mat connectors

Safety Net

- Missing, improperly positioned or insecurely attached Safety Net
- Punctures, frays, tears or holes
- Deterioration of, or damage to, the stitching or fabric
- Sagging fabric
- Broken or damaged entry system

Net Poles

- Missing, improperly positioned or insecurely attached:
 - A. Net Pole supports
 - B. Net Pole caps
- Bends, cracks, twists or breaks
- Rust spots
- Sharp protrusions

3.0. Usage and Behaviour

Improper use of, or behaviour on, your trampoline can lead to serious injury. Please follow these usage and behaviour instructions to ensure safe play.

3.1. Safe use information

- Maximum user weight: 150 kg.
- Domestic and outdoor use only.
- Suitable for ages 6 and over.

WARNING:

- Only one user. Collision hazard.
- Always close the net opening before jumping.

3.2. Safe use instructions

To reduce the risk of injury while using the trampoline, enforce the following:

- Ensure that the trampoline has been assembled by an adult, in accordance with the assembly instructions, and been checked over before first use.
- Do not bounce in strong wind conditions or inclement weather, and keep the trampoline secure.
- Ensure active and competent adult supervision at all times while children are using the trampoline. Children are often unable to identify hazards or properly assess risk.
- Avoid eating or drinking while bouncing.
- Empty pockets and hands before bouncing.
- Wear comfortable clothing that allows full and free movement.
 - Do not wear jewellery, drawstrings, cords, loops, buckles or anything that could entangle in trampoline components and become a strangulation hazard, a contact hazard or damage the trampoline.
- Remove shoes, as they may damage the bed and increase the risk of injury.
- Climb on and off the trampoline. Never jump or bounce off.
- Refrain from using the springs as 'hand grips' when getting onto or off the trampoline.
- Do not allow children, pets, toys or other play equipment underneath the trampoline. Make sure that the areas around, underneath and above the trampoline are clear.
- Learn fundamental bounces and body positions before trying more advanced manoeuvres.
- Demonstrate safe use for children before allowing them onto the trampoline.
- Contact Vuly or an Authorised Reseller for further information or additional instructional material.
 - To learn more advanced trampolining skills, contact a suitable gymnastics or trampoline club.

3.3. Basic trampolining instructions

This trampoline is a domestic model, not a gymnastics trampoline. You will get the safest and best use from it by following these basic principles:

- Do not attempt or allow somersaults on the trampoline. Landing on your head or neck while doing somersaults can cause serious injury, paralysis or even death.
- Do not use the trampoline when wet. The Jump Mat will be slippery and make landing less secure.
- Do not allow users to intentionally bounce into or over the Safety Net, as this can unbalance the trampoline and continual impact may damage the enclosure. Always jump in the middle of the Jump Mat.
- Do not use a trampoline while under the influence of alcohol or drugs. Balance, perception and assessment of risk will be affected and may lead to injury.
- Do not use the trampoline as a springboard to other objects. Use the trampoline only for trampoline-style bouncing.
- Focus your eyes on the edge of the trampoline. This will help control your bounce.
- Stop your bounce by flexing your knees as your feet come in contact with the trampoline bed. Learn this skill before you attempt any others.
- Avoid bouncing too high. Stay low until you can control your bounce and repeatedly land in the centre of the trampoline.
- Do not bounce immediately after a meal.
- Limit the time of continuous usage.



4.0. HexVex™ Games

HexVex™ is a unique, interactive game printed right on your Jump Mat! Originally based on 'Add-ons' - a training tool used by elite trampolinists to improve their coordination and reaction time - HexVex™ helps jumpers to improve their balance and enhance their memory and learn sequence.

HexVex™ players

A trampoline should be used by one person at a time. Some HexVex™ require more than 1 person to play.

For each of these games that requires bouncing, a player should climb off the trampoline to allow the next player to have their turn. For those games that do not require standing or bouncing, exercise caution while playing.

Match-up

Players: 2

The first player starts in the middle of the Jump Mat, and begins the game by picking an icon and jumping onto it. They then jump to the other, matching icon. That player continues this process, choosing and matching up all nine icons to complete one round. A miss-matched jump ends their turn in the game.

The winner is the first person to complete three consecutive rounds of matched icons!

Story Hop

Players: 2-3

The first player starts in the middle of the Jump Mat, and begins the game by jumping on any icon, and shouting a part of a story that relates to that icon. That player then continues the story by jumping on the remaining icons to tell a complete story. The other players then take their turns by doing the same.

The winner is the player who achieves the most laughs with their story from all the other players!

Mimic Me!

Players: 2 or more (in pairs)

The first player starts in the middle of the Jump Mat, with their partner standing outside the trampoline. The partner writes down the names of all the HexVex™ icons (in an order of their choosing). They begin the game by calling out each icon name, and the bouncer must jump onto them.

Once the partner has called all of the icons, the bouncer must try to do the sequence again from memory. If they get it wrong, they end their turn and trade places.

The winner is the first player to fully mimic a sequence from memory!

Musical Icons

Players: 4-5

by Donna and Hayley Shaw, winners of Create-a-HexVex™ Game.

Each player hops into the trampoline and puts on a blindfold. The supervising parent then plays some music, and each player crawls around on the HexVex™ Game Mat, wiggling and dancing until the referee stops the music. When they do, each player must sit up on their knees and lift up their blindfold to see if both of their knees are on a HexVex™ icon. If they're not, that player is out.

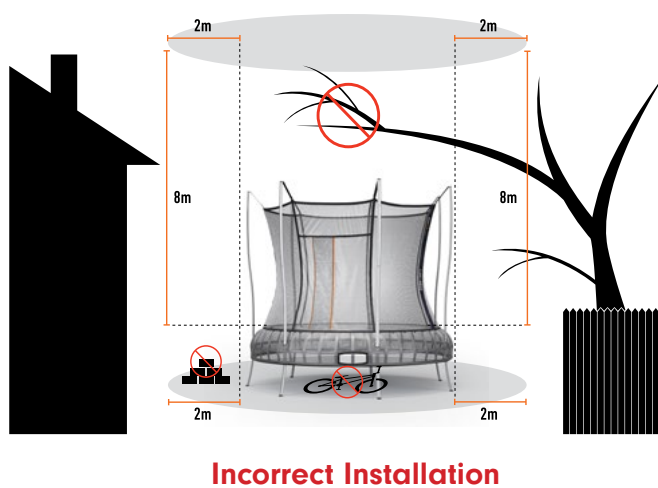
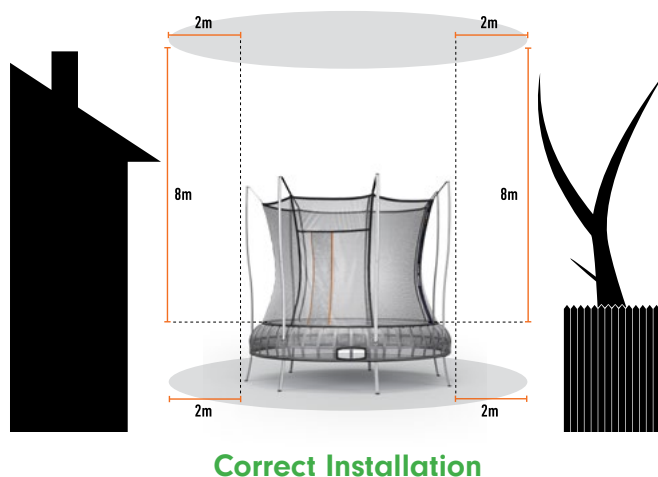
The winner is the last player left wiggling!



5.0. Installation

5.1. Location planning

- Do not bury the trampoline into the ground.
- Place the trampoline on a flat, level surface with impact attenuating properties – such as grass.
- Ensure that the trampoline is sufficiently stable, to prevent the trampoline from tipping over or blowing away. Sandbags or pegs may be suitable anchorage devices.
- Keep a minimum of 8 m overhead clearance, when measured from the bed height, to prevent users from inadvertently contacting overhead hazards – such as electric wires, tree limbs and clotheslines.
- Maintain a minimum clearance of 2 m on all sides of the trampoline. This area should not include concrete, bitumen, brick or other hard surfaces, as these can cause serious injuries if users fall off the trampoline.
- Do not locate the trampoline on top of other objects or store anything underneath the trampoline bed.
- Keep the area around and underneath the trampoline clear. Place the trampoline away from walls, structures, fences and other play areas.
- Place the trampoline in a well-lit area.



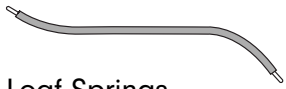
5.2. Parts checklist

| | | | | | | |
|-----------|---|--|--|--|--|--|
| M | 1x BOX A 1200 x 335 x 100 mm | 1x BOX B 1200 x 340 x 180 mm | 1x BOX C 760 x 385 x 170 mm | 1x BOX D 1215 x 350 x 160 mm | 1x BOX E 1215 x 240 x 105 mm | |
| | Upper Frame Tube Bolt Set Manual Spring Tool Installation Glove | Jump Mat Lower Frame Tube | Joiner Pole Leaf Spring Ring Set | Lower Net Pole Safety Net Safety Skirt | Upper Net Pole Leaf Spring | |
| L | 1x BOX A 820 x 385 x 220 mm | 1x BOX B 810 x 340 x 105 mm | 1x BOX C 810 x 340 x 105 mm | 1x BOX D 755 x 335 x 165 mm | 1x BOX E 1215 x 340 x 175 mm | 1x BOX F 1215 x 155 x 100 mm |
| | Upper Frame Tube A Upper Frame Tube B Safety Net Safety Skirt Manual Installation Glove | Lower Frame Tube A Leaf Spring | Lower Frame Tube B Leaf Springs | Joiner Pole Spring Tool Bolt Set Ring Set | Jump Mat Lower Net Pole | Upper Net Pole |
| XL | 1x BOX A 840 x 410 x 170 mm | 1x BOX B 840 x 365 x 105 mm | 1x BOX C 840 x 365 x 105 mm | 1x BOX D 745 x 495 x 240 mm | 1x BOX E 1215 x 255 x 130 mm | 1x BOX F 1215 x 385 x 140 mm |
| | Upper Frame Tube A Upper Frame Tube B Safety Skirt Spring Tool Manual Installation Glove | Lower Frame Tube A Leaf Spring | Lower Frame Tube B Leaf Spring | Joiner Pole Jump Mat Bolt Set Ring Set | Lower Net Pole Spring | Upper Net Pole Safety Net |

VULY Thunder

Check that your trampoline bundle contains the all of following parts:

TIME REQUIRED FOR ASSEMBLY: 1 HOUR (APPROX).
NUMBER OF PEOPLE REQUIRED FOR ASSEMBLY: 2



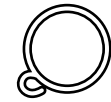
Leaf Springs

| M | L | XL |
|----|----|----|
| 42 | 56 | 64 |



Upper Net Poles

| M | L | XL |
|---|---|----|
| 7 | 7 | 8 |



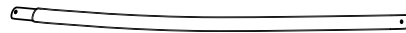
Safety Rings

| M | L | XL |
|----|----|----|
| 42 | 56 | 64 |



Upper Frame Tubes

| M | L | XL |
|---|------------------|------------------|
| 7 | 14 (7xA, 7xB) | 16 (8xA, 8xB) |



Lower Net Poles

| M | L | XL |
|---|---|----|
| 7 | 7 | 8 |



Safety Net

| M | L | XL |
|---|---|----|
| 1 | 1 | 1 |



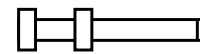
Lower Frame Tubes

| M | L | XL |
|---|------------------|------------------|
| 7 | 14 (7xA, 7xB) | 16 (8xA, 8xB) |



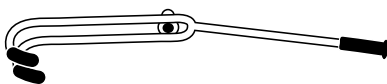
Jump Mat

| M | L | XL |
|---|---|----|
| 1 | 1 | 1 |



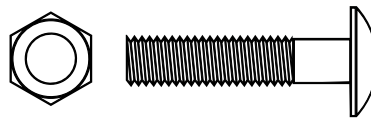
Joiner Poles

| M | L | XL |
|---|---|----|
| 7 | 7 | 8 |



Spring tool

| M | L | XL |
|---|---|----|
| 1 | 1 | 1 |



Joiner Pole nuts and bolts

| M | L | XL |
|----|----|----|
| 14 | 14 | 16 |



Skirt

| M | L | XL |
|---|---|----|
| 1 | 1 | 1 |

5.3. Assembly instructions – Vuly Thunder

PRE-ASSEMBLY

- Find level ground, and make sure that there are no obstructions nearby.
- Check that you have all the parts required for assembly.

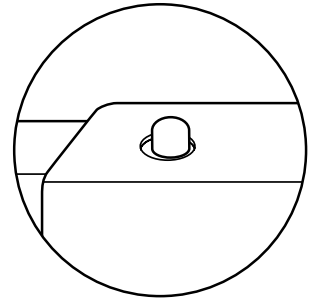
REMEMBER: WEAR THE VULY GLOVES AT ALL TIMES WHEN INSTALLING YOUR TRAMPOLINE.



Keep the Leaf Spring sleeves on during assembly and over the life of your trampoline. These sleeves provide crucial protection in the unlikely event of a Leaf Spring breaking.

L AND XL MODELS ONLY

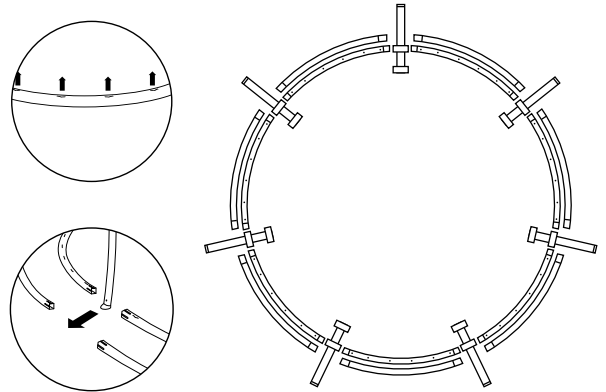
- Connect each Lower Frame Tube A to a Lower Frame Tube B. Lower Frame Tubes are those with Leaf Spring holes.
- Connect each Upper Frame Tube A to an Upper Frame Tube B. Ensure that the push buttons lock these components together.



STEP | 1

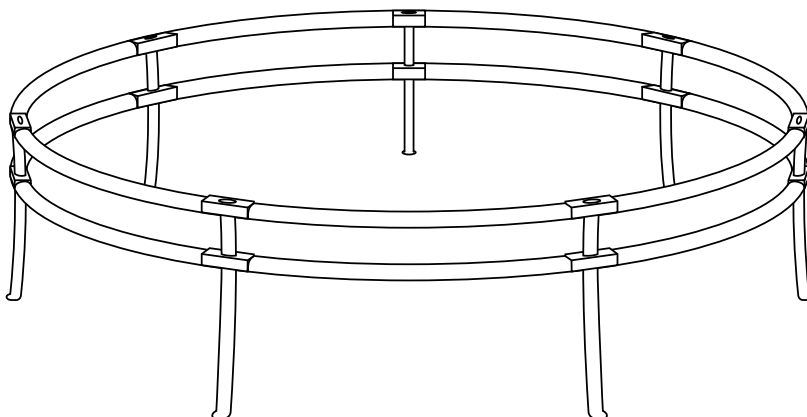
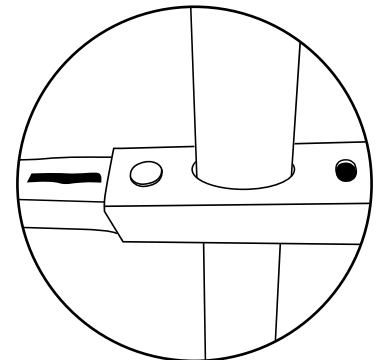
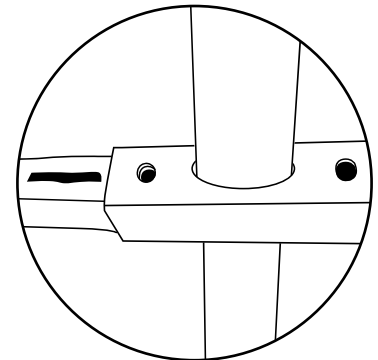
- Lay out each Lower Frame Tube in a circle, ensuring that the Leaf Spring holes are facing upwards. Place the Upper Frame Tubes around them.
- Position Joiner Poles in the gaps around the Frame Tubes.

Note: The feet of the Joiner Poles must face upwards.



STEP | 2

- Choose a Joiner Pole. Slide Lower Frame Tubes into both sides of it and an Upper Frame Tube on the left side only. **Ensure that all punch lines face upwards.**
- Insert Joiner Pole bolts through the holes that connect the Lower Frame Tubes and the Joiner Pole. Tighten the nuts underneath.
- Go around your trampoline, connecting each remaining Upper and Lower Frame Tube to each Joiner Pole until you complete the frame. Ensure that you insert the bolts and tighten the nuts underneath as you go.
- See that your completed frame matches the image.

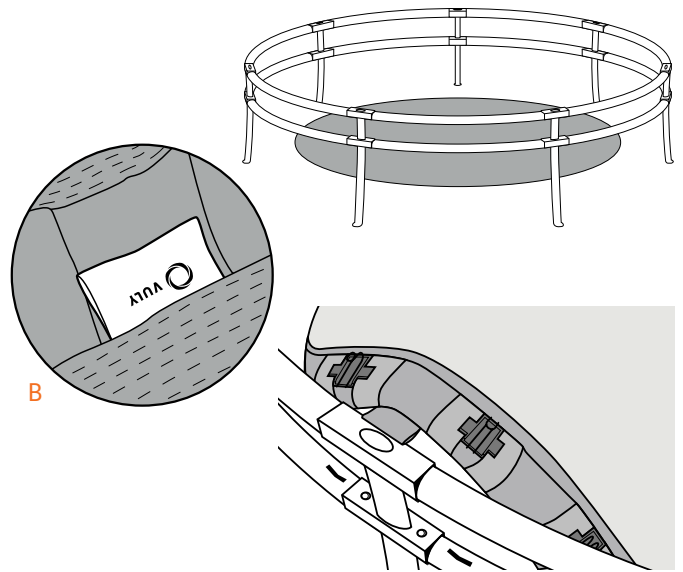


Jump Mat and Leaf Springs

STEP | 3

- Unravel and lay your Jump Mat inside the frame, ensuring that it is flat, with the print facing upwards.
- Find the Batch Tag on the Jump Mat, and rotate the Jump Mat so that the Batch Tag lines up with a Joiner Pole.

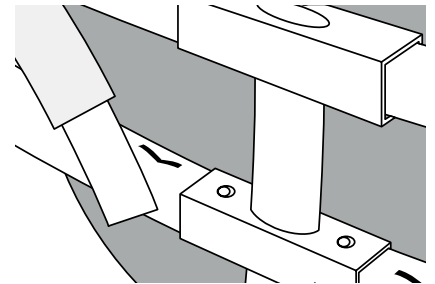
Note: The entrance will be between the two Joiner Poles to the right of the Batch Tag. Rotate your Jump Mat to the desired position, but always ensure that the Batch Tag lines up with a Joiner Pole. The Vuly logo must be centred between two Joiner Poles.



STEP | 4

Go around your trampoline, inserting Leaf Springs into the Lower Frame to the right and left of every Joiner Pole.

Ensure that when you insert the Leaf Springs, the locking plates face outwards and that they firmly secure into the Lower Frame.



STEP | 5

- Connect the Leaf Spring that is to the right of a Joiner Pole into the mat connector that is to the right of the Batch Tag.
- Go to the other side of the frame and connect the Leaf Spring that is to the right of the opposite Joiner Pole to its corresponding mat connector.
- Go to one of the Joiner Poles directly between the two Leaf Springs that you have connected. Attach the Leaf Spring to the right of it to its corresponding mat connector.

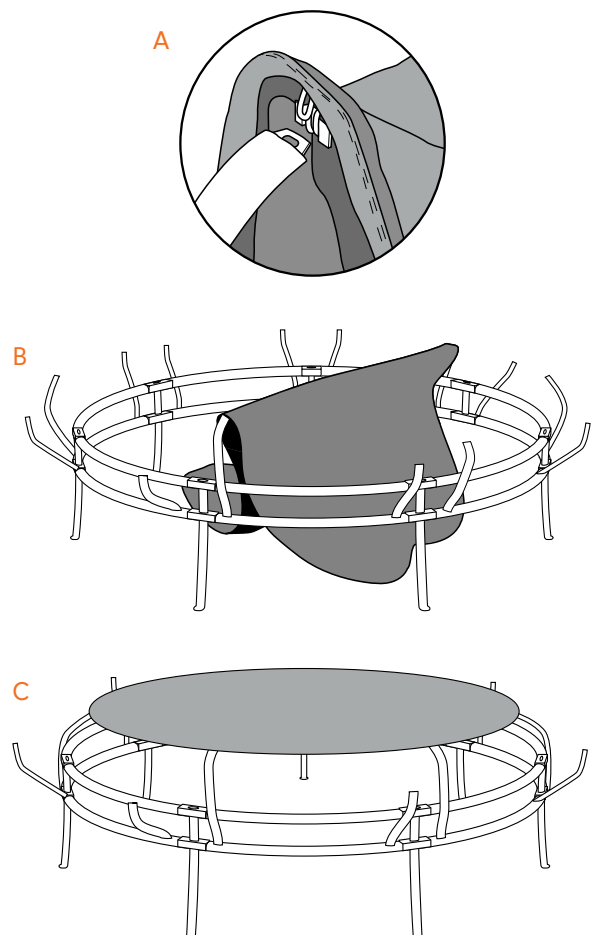
Repeat for the Joiner Pole and right-hand Leaf Spring on the opposite side.

Tip: To use the Leaf Spring Tool, hook the lever over the Leaf Spring, just beneath the natural bend in the Spring. Push the handle towards the Jump Mat, and as the Spring bends, attach it to the mat connector.

- Continue attaching Leaf Springs to the right of each Joiner Pole, before attaching the corresponding opposite Leaf Springs.

Repeat for each Leaf Spring to the left of each Joiner Pole.

Remember: Avoid going around the trampoline sequentially connecting Leaf Springs. This will make them more difficult to attach.

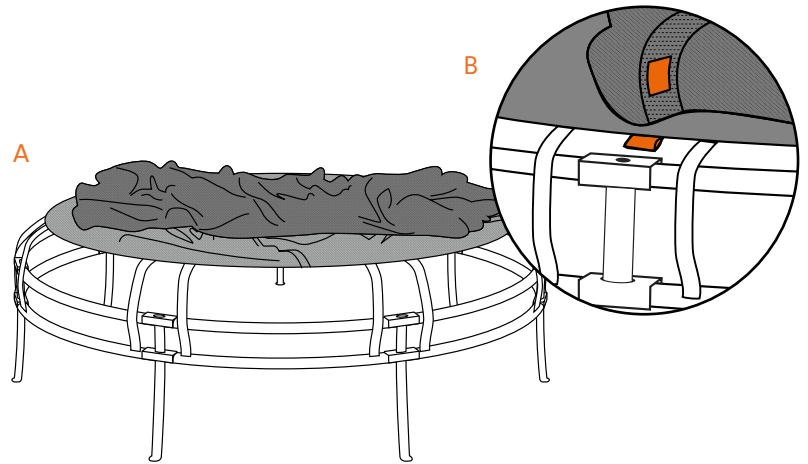


Safety Net

STEP | 6

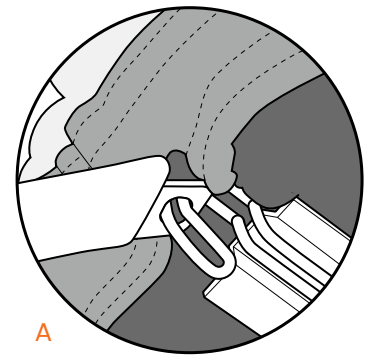
- A. Unravel your Safety Net and lay it atop your Jump Mat.
- B. Find the Batch Tag on the Safety Net, and rotate the Net so that this Batch Tag lines up with the one on the Jump Mat.

Note: Ensure that the stitched belts on the Safety Net are on the outside and that they also line up with the Joiner Poles.



STEP | 7

- A. Unfasten the Leaf Springs on either side of the Jump Mat Batch Tag from their mat connectors. Slip those mat connectors through the net connector holes on either side of the Safety Net Batch Tag. Re-attach the Leaf Springs.
- B. Repeat for each Leaf Springs and mat connector to the left and right of every Joiner Pole.

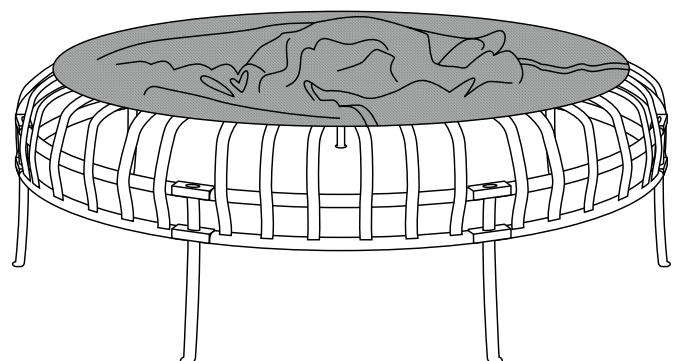
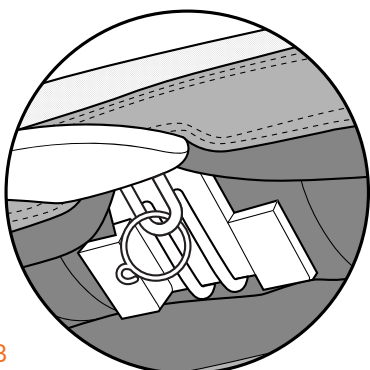
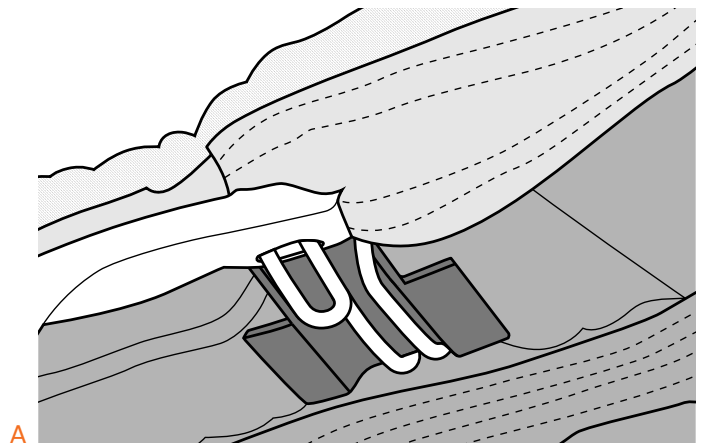


STEP | 8

- A. Go around your trampoline, inserting and attaching the remaining Leaf Springs. Do so by connecting one Leaf Spring in each frame section, before connecting the corresponding Leaf Spring on the opposite side of the Jump Mat - until you have attached every Leaf Spring.

Ensure that you slip the mat connectors through the net connector holes as you do so.

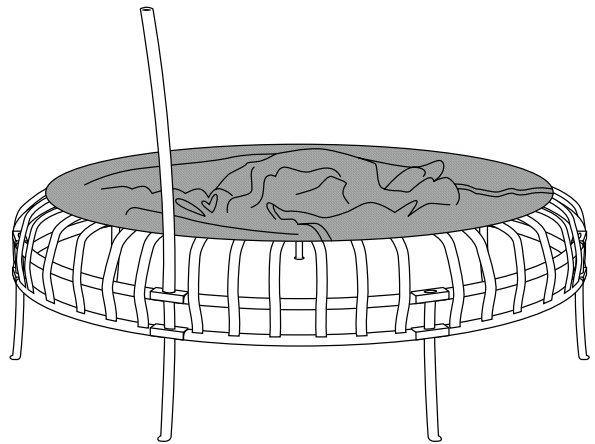
- B. Twist the Safety Rings onto every mat connector to fully secure the Leaf Springs.



STEP | 9

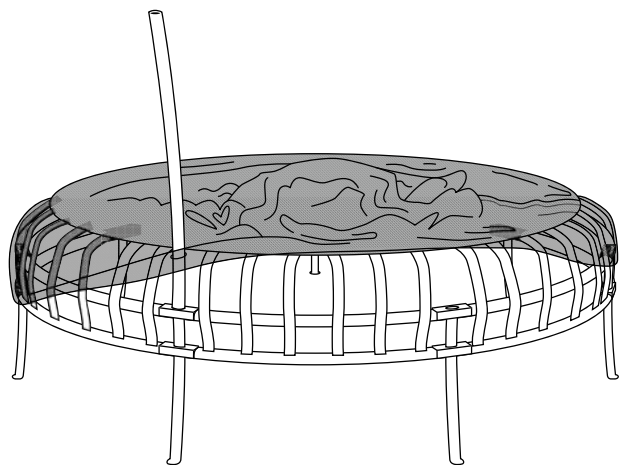
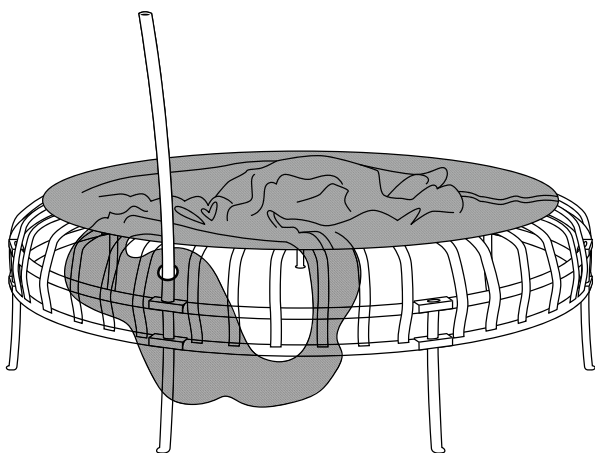
- A. Insert one Lower Net Pole into the Joiner to the left of the trampoline entrance.
- B. Find the circular hole in the Skirt that it is to the left the large, square foot hole. Slide it over the Lower Net Pole.

Remember: Ensure that the foot hole in the Skirt is to the right of the Lower Net Pole - where the entrance will be when you re-erect your Safety Enclosure.



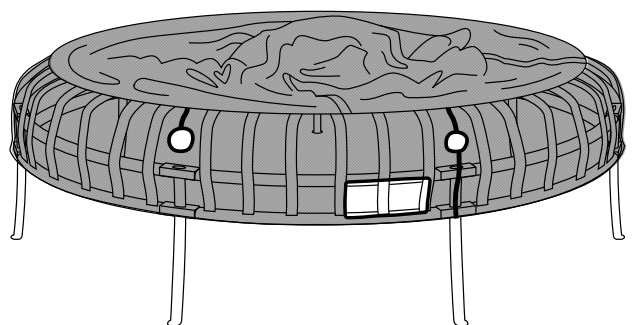
STEP | 10

Go around your trampoline, pulling the Skirt so that it covers the Leaf Springs. Ensure that each hole lines up with the corresponding Joiner Pole as you go.



STEP | 11

Remove the Lower Net Pole.

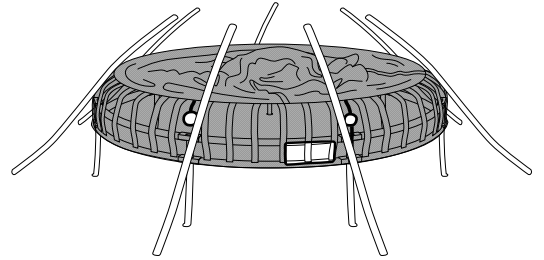
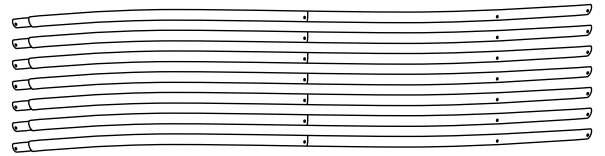
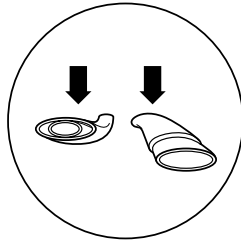


Net Poles

STEP | 12

- A. Insert each Upper Net Pole into each Lower Net Pole. The Lower Net Pole is reinforced at the bottom.
- B. Rest the completed Net Poles against the frame at each Joiner Pole.

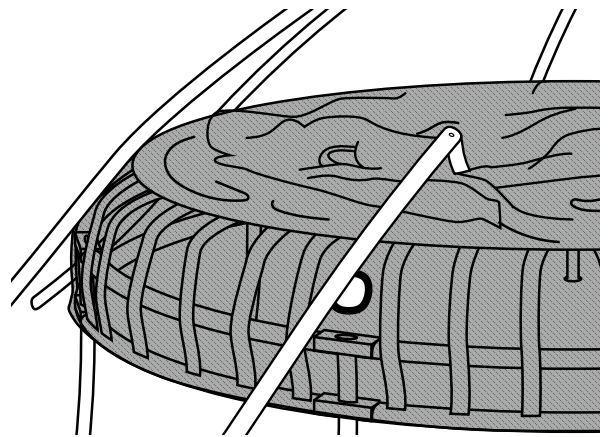
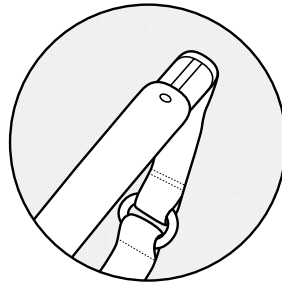
Note: Your model will have safety sleeves on the Lower Net Poles. Do not remove these safety sleeves. Ensure that they are at the top of your Lower Net Poles when you insert the Upper Net Poles.



STEP | 13

Insert each Nut Pole plug into every Upper Net Pole.

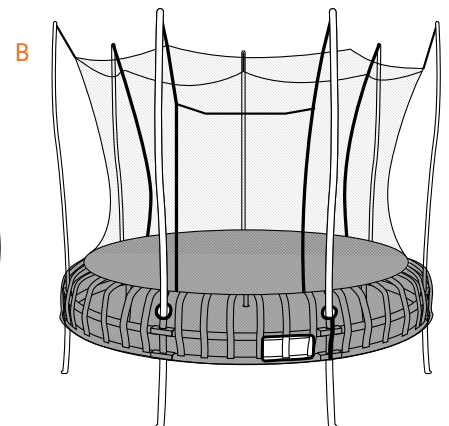
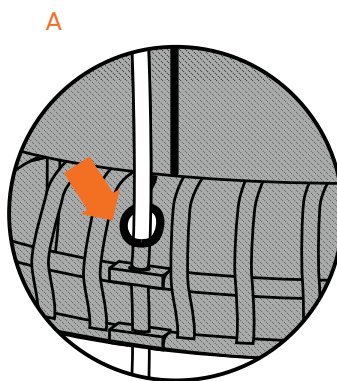
Ensure that the materials are not twisted and that the top holes on the Upper Net Poles are facing outwards.



STEP | 14

- A. Lift a Net Pole, raising the Safety Net at the same time, and insert it into the Joiner Pole.
- B. Repeat for each Net Pole until you have completely erected the Safety Net.

Remember: Ensure that the Safety Net is correctly assembled. A properly installed Safety Net is crucial to protect against injuries.



WARNING: Make sure that all push buttons are locked and secured before using your trampoline. Bouncing on a trampoline with push buttons that are not locked will cause damage and injury.



CONGRATULATIONS!

You have assembled your Thunder trampoline.

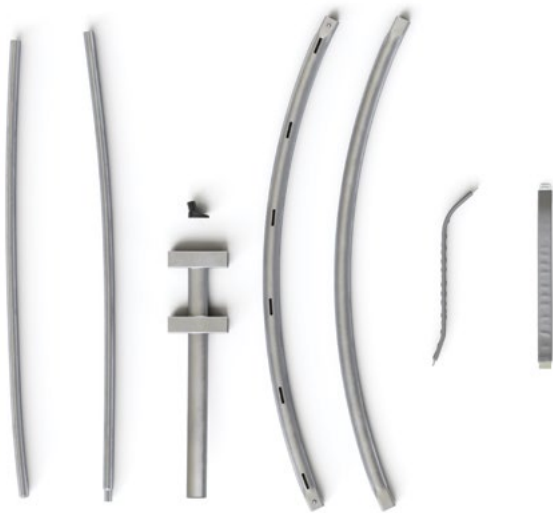
6.0. Product registration

To access the Half-Price Parts for Life programme or to lodge a Warranty Claim, customers must ensure that their Vuly product is registered with Vuly.

Customers who purchase directly from Vuly (through VulyPlay.com, at the Vuly Showroom or over the phone) automatically have their product registered.

Customers who purchase through an Authorised Reseller must register their product by visiting **VulyPlay.com/Support** and completing the form with a proof of purchase.

7.0. Half-price replacement parts



Vuly offers half-price replacement parts to all customers for the lifetime of their trampoline purchase through the Half-Price Parts for Life programme.

This programme is subject to change at any time, and it is only available to customers who have purchased either through an Authorised Reseller or directly through Vuly.

Half-Price Parts for Life is only available to customers who wish to replace parts that are core components of their trampoline. For Thunder, these parts include:

- Leaf Springs,
- Jump Mat,
- Joiner Poles,
- Safety Net (and components thereof),
- Net Poles,
- Frame Tubes

The programme does not extend to accessories or to Shade Cover / Tent components.

8.0. Warranty

All Vuly products are sold with a manufacturing warranty, which assures that the item is free of defects in workmanship and materials (“warranty”).

8.1. Warranty periods

Warranty periods do not reset for any reason, unless the customer purchases a new product. In this case, that particular item will be covered by its own warranty period. It does not affect – nor will it increase – warranty periods for other purchased items.

Warranty periods always commence from the date of item delivery, is for use under normal conditions and applies for:

Thunder

- 120 months [10 years] to the Frame Tubes and Joiner
- Poles.
- 60 months [5 years] to the Jump Mat (excluding the print).
- 12 months [1 year] to all other parts of a purchased
- trampoline – e.g. Safety Net, Net Poles and Leaf Springs.

Accessories

- 12 months [1 year] to purchased accessories – e.g. Mister, Deck – not received during a promotional period.
- 3 months to any items received at no cost as part of a promotion – e.g. ‘Free Shade Cover’.

The customer may extend the standard 12-month [1 year] warranty to 36 months [3 years], if they purchase an extended warranty within 7 days of their delivery date.

8.2. Inclusions

This warranty covers manufacturing faults and defects only.

If a product is damaged or rendered unsafe as a result of a departure from its design specifications during production, this constitutes a manufacturing fault or defect.

This may occur if – for example – use of incorrect textiles during manufacturing causes a Safety Net to disintegrate, or if improper welding produces an unstable Frame.

8.3. Exclusions

8.3.1. Damage through wear and tear

This warranty does not extend to normal wear and tear of the product. This may include, but is not limited to:

- Rusting of steel components,
- UV deterioration of textile components.

As outdoor products that are actively used, trampolines and their accessories will experience wear and tear over time.

8.3.2. Damage through weather conditions

Damage to the product that results from weather events – such as rain or wind – are not covered under the warranty. Vuly suggests that you contact your home and contents insurer if your trampoline is damaged by such events.

8.3.3. Damage through improper installation

This warranty does not extend to any failure of the product caused by installation not in accordance with the Vuly Manual. Customers must assemble their Vuly product by following carefully the Installation section of their Vuly Manual.

Furthermore, the warranty does not cover installation provided by a third-party assembly service. It is the customer's responsibility to check all boxes and confirm that all components are included in the correct condition before installing.

8.3.4. Damage through insufficient care or maintenance

This warranty does not extend to accelerated decay of the product caused by poor care or maintenance. It is essential that customers regularly check, and follow the advice of, the Care and Maintenance section of their Vuly Manual to ensure that their product lasts as long as possible.

8.3.5. Damage through inappropriate use

This warranty will be void if the product is used for any other activity besides those for which it was intended. Vuly products constitute recreational trampolines and accessories for such trampolines. They are not intended for use as professional, gymnastics trampolines, springboards, etc.

Any evidence that inappropriate actions have led to product failure will not be covered by the warranty. Similarly, replacement parts or repairs needed to mend such damage will not be covered under the warranty.

8.3.6. Damage through salt water proximity

This warranty (on steel components, specifically) will be reduced by 50% where the Vuly product is assembled within 1.6 km of a salt water environment or where it is subject to ocean spray.

8.3.7. Personal Injury

The warranty does not cover personal injury or losses due to any of the above: wear and tear, weather conditions, inappropriate installation, insufficient care or maintenance or inappropriate use, nor does it cover damage due to negligence or accidents.

8.4. Warranty Claims

If a customer believes that a Vuly product is faulty or defective,

they must discontinue use and submit a Warranty Claim.

A customer must not attempt to use a product if any part is faulty or defective, as it may be dangerous. Any damage that the user causes as a result of using faulty or defective products will lead to voiding of the warranty.

8.4.1. Making a Warranty Claim

To fulfil a warranty claim, a customer must submit an online Warranty Claim at **VulyPlay.com/Support**.

Submitting the online Warranty Claim form requires the customer to provide:

- Details of their purchase – including date,
- Batch number,
- Clear photographic evidence of the manufacturing fault or defect.

If the customer does not provide all details that the form requires, their Warranty Claim will not be assessed.

Vuly may take up to 7 days to process Warranty Claims upon a completed submission. It may take a further 7 days for replacement parts to reach the customer.

8.4.2. Successful Warranty Claims

If Vuly accepts a customer's Warranty Claim, Vuly will replace the faulty or defective parts, not offer refunds.

Successful Warranty Claims lodged within 60 days of the delivery date:

Vuly will replace the damaged parts free of charge. Vuly will also cover any costs associated with shipping the replacement part.

Successful Warranty Claims lodged after 60 days of the delivery date:

Vuly will replace the damaged parts free of charge. The customer must cover any costs associated with shipping the replacement part.

8.4.3. Walk-in Warranty Claims

If a customer wishes to make a Warranty Claim while on the Vuly premises, they must first submit an online Warranty Claim at **VulyPlay.com/Support** – providing all required details.

8.4.4. Refunds

In all instances of successful warranty claims, Vuly offers replacements parts only. Vuly provides refunds only at their discretion. Any refunds granted to the customer exclude third-party fees, such as assembly services and credit card surcharges.

8.4.5 Claiming on non-Vuly products

Products sold alongside Vuly that are not Vuly-branded are subject to the warranties provided by the companies that supply them. The customer must contact these external companies to make a warranty claim; Vuly will not assess claims made against non-Vuly products.

8.5. Australian Consumer Law

Our Goods come with guarantees that cannot be excluded under the Australian Consumer Law. You are entitled to a replacement or refund for a major failure and for compensation for any other reasonably foreseeable loss or damage. You are also entitled to have the Goods repaired or replaced if the Goods fail to be of acceptable quality and the failure does not amount to a major failure.

9.0. Missing parts

If a customer believes that a Vuly product does not include all necessary parts, they must immediately lodge a Missing Parts Claim at **VulyPlay.com/Support**.

A customer must not attempt to use a product if any part is incomplete, as it may be dangerous. Any damage that the user causes as a result of using incomplete products will lead to voiding of the warranty.

Vuly trampolines are delivered to Vuly warehouses prepackaged; we are unable to check the boxes prior to delivery to ensure that they contain all the required parts. While the missing part rate during packing is very low, some parts may also fall out in transit due to small, unintentional tears in their boxes.



See [VulyPlay.com/Terms](https://www.vuly.com/terms) for the most recent Vuly warranty policies, terms and conditions.