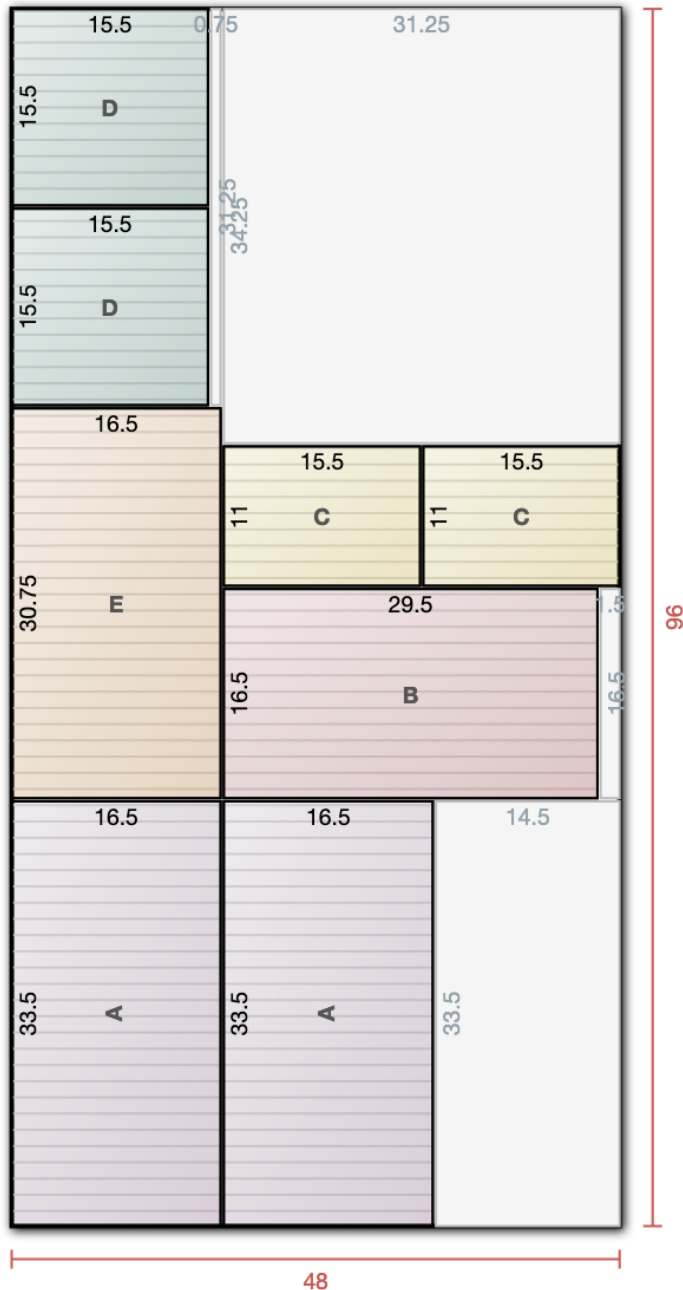


The following pages are plans for a tilt-out garbage/recycling can cabinet originally designed and built by me, Chris Finke. They are specific to garbage cans that are 16.5" x 11" or smaller, but you may find this to be a helpful starting point for cans of other sizes. (The cans I based the design on are by Rubbermaid -- 41 quarts, dimensions 15 1/4" L x 11" W x 19 7/8" H.)

You can view photos of my build process at [chrisfinke.com/trash-cabinet](http://chrisfinke.com/trash-cabinet) that might be helpful to you. Email me with any questions at [cfinke@gmail.com](mailto:cfinke@gmail.com), and please send me a picture of the finished product if you build one!



## Cut List

### 3/4" Plywood

A: 33 1/2" x 16 1/2" (2)

B: 29 1/2" x 16 1/2" (1)

C: 15 1/2" x 11" (2)

D: 15 1/2" x 15 1/2" (2) -- cut each into two triangles for four triangles total

E: 30 3/4" x 16 1/2" (1)

The drawing at left is one suggestion for how to cut the plywood.

### 1x2 material

F: 10" (4)

G: 28 7/8" (4)

H: 33 1/2" (2)

I: 28" (2)

J: 29 1/4" (1)

These lengths will allow for constructing the face frames with pocket screws. If you wish to use another joinery method like cope and stick, you will need to calculate the correct lengths to allow for outside frame dimensions of 28 7/8" x 13".

### 1/4" Beadboard (or whatever material you choose for the door panels)

K: 26 7/8" x 11" (1)

### Hardwood (or your choice of material for the top)

L: 33" x 18" (1)

These lengths allow for 1" of overhang. This is adjustable to your taste.

## Hardware

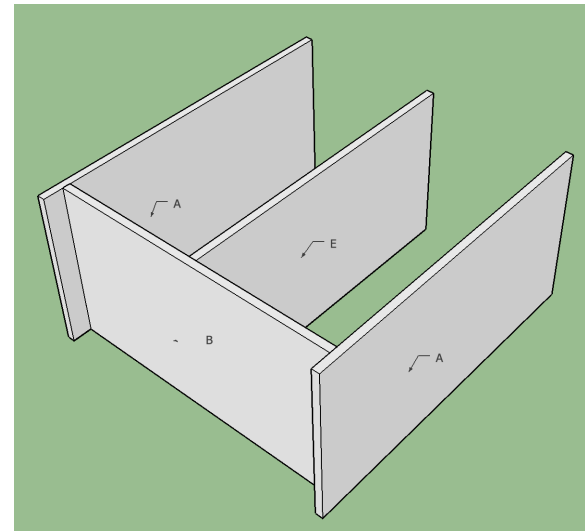
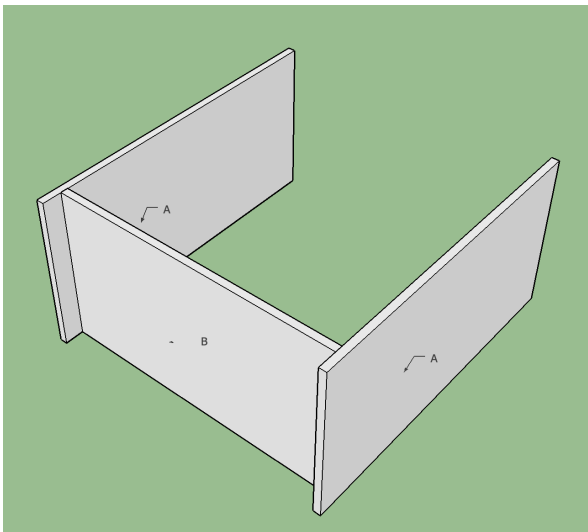
Hinges (4) (I believe I used 2-1/2 in. Utility Hinges from Home Depot)  
Cabinet door handles (2)  
Z-clips (a.k.a. tabletop clips)  
Various screws

## Instructions

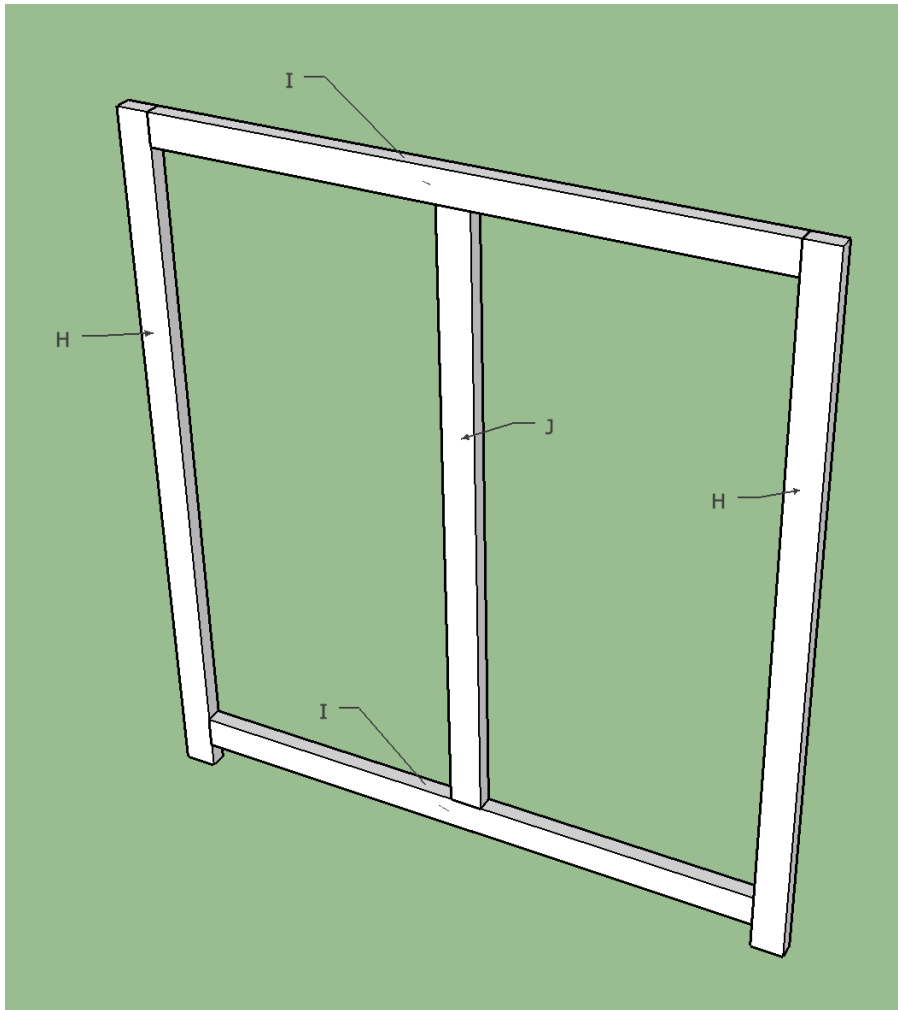
**Step 0:** Read through and understand these instructions completely before beginning. Depending on your finishing method (paint, stain, etc.), it may make sense to pause between steps and finish components of the cabinet individually. Depending on your joinery method, you may also want to pre-drill holes or otherwise prepare parts before continuing to the next step.

**Step 1:** Fasten the sides “A” and “A” to the base “B” with pocket screws underneath “B” into each side “A”, leaving 2” from the bottom of “B” to the bottom of “A”.

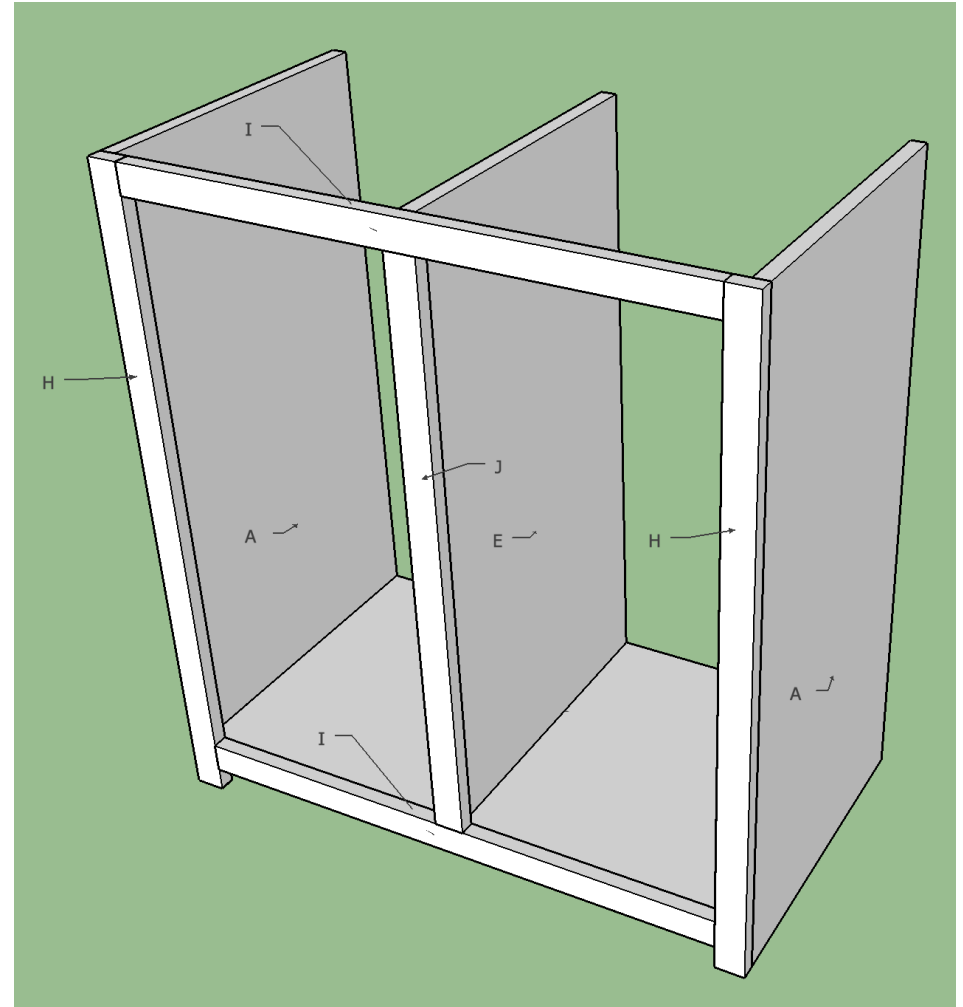
**Step 2:** Fasten the central divider “E” exactly in the middle of “B” using screws through “B” into “E”.



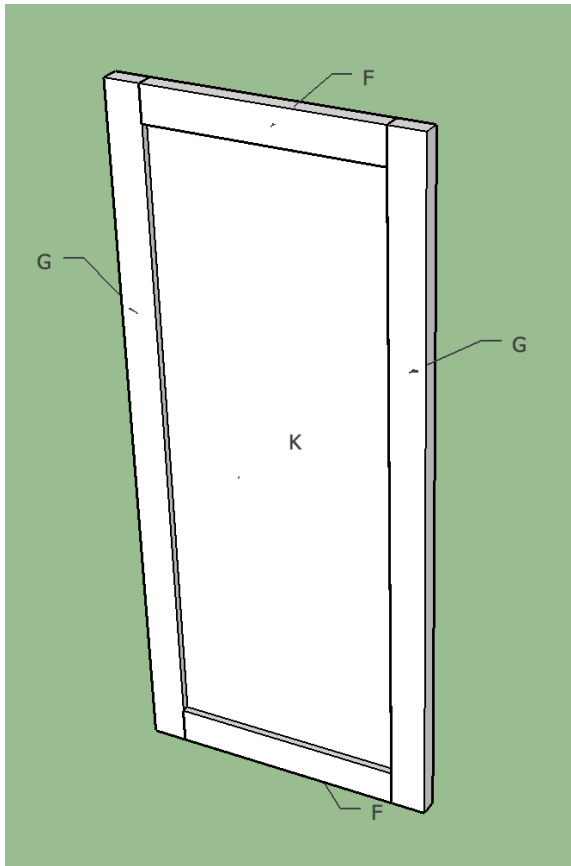
**Step 3:** Using pocket screws (or your preferred method of joinery), construct the cabinet face frame like so, leaving 1 ¼" from the bottom of the lower "I" piece to the end of the "H" pieces.



**Step 4:** Fasten the face frame to the cabinet using pocket screws (or nails and glue, or your preferred method):



**Step 5:** Construct the two cabinet doors.



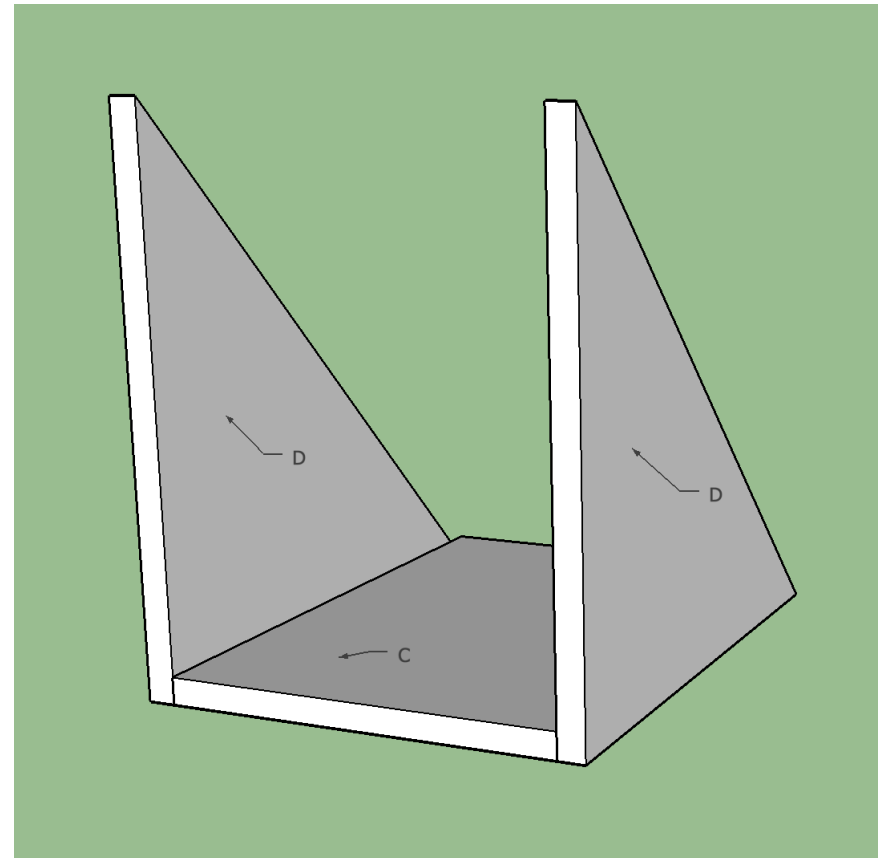
In order to inset the panel "K" into the frame, you have a couple of options:

You can rout a groove on the inside edges of the "F" and "G" pieces (stopping before you hit the end of "G" so the groove doesn't show) and fit the panel inside before attaching "F" to "G" (with pocket screws, or your preferred method).

Or, you can connect the "F" pieces to the "G" pieces first, and then cut a rabbet in the back in order to attach the panel that way.

Or you could just forgo this entire style and make the door out of a single piece of 28 7/8" x 13" plywood.

**Step 6:** Construct the garbage can bases by fastening two "D" pieces to the long sides of a "C" piece, either using pocket screws underneath or wood screws through "D" into "C". Repeat.



## Tilt-Out Trash Cabinet Plans

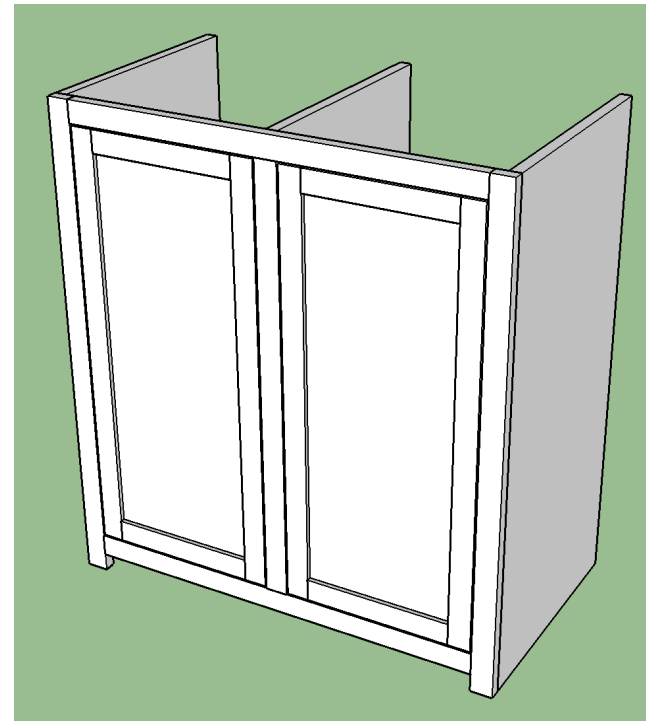
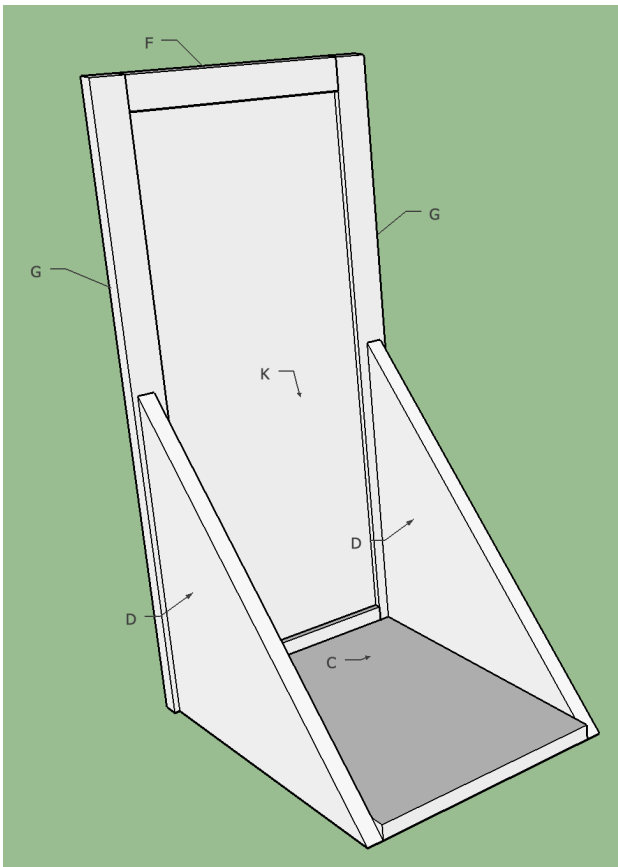
[chrisfinke.com/trash-cabinet](http://chrisfinke.com/trash-cabinet)

**Step 7:** Connect each of the bases with the triangular sides to a door, centering the door on the base horizontally and ensuring that the bottom of the base is flush with the bottom of the door. You may use pocket screws through the "D" pieces into the "G" pieces of the frame, or glue between the faces of G/D and C/F would probably suffice. Repeat.

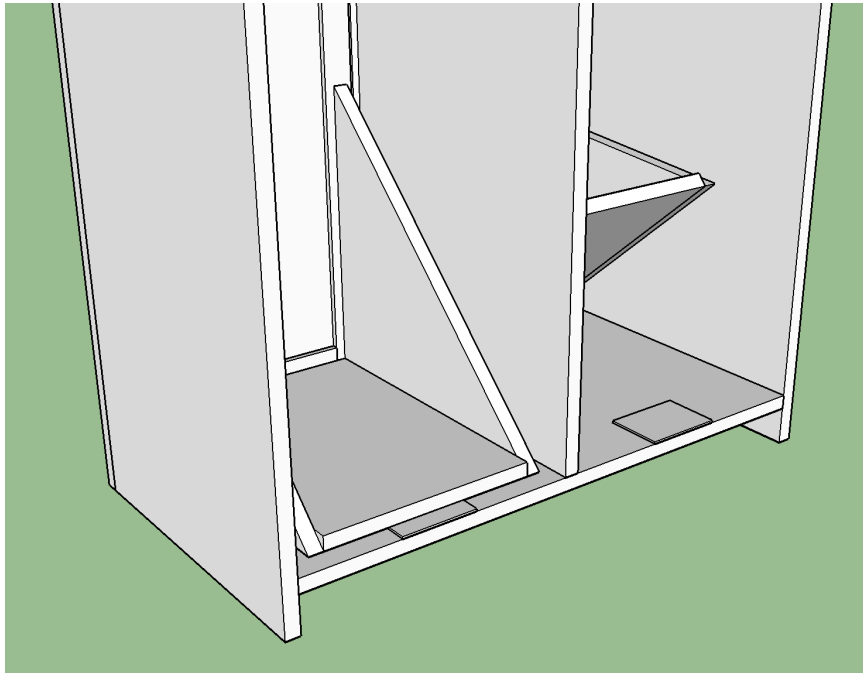
**Step 8:** Attach a handle of your choice to the front of the top "F" piece on each cabinet door.

**Step 9:** Screw hinges to the bottom "F" piece of each cabinet door, and then screw those hinges to the bottom "I" piece of the cabinet face frame, ensuring that the door is centered in the opening.

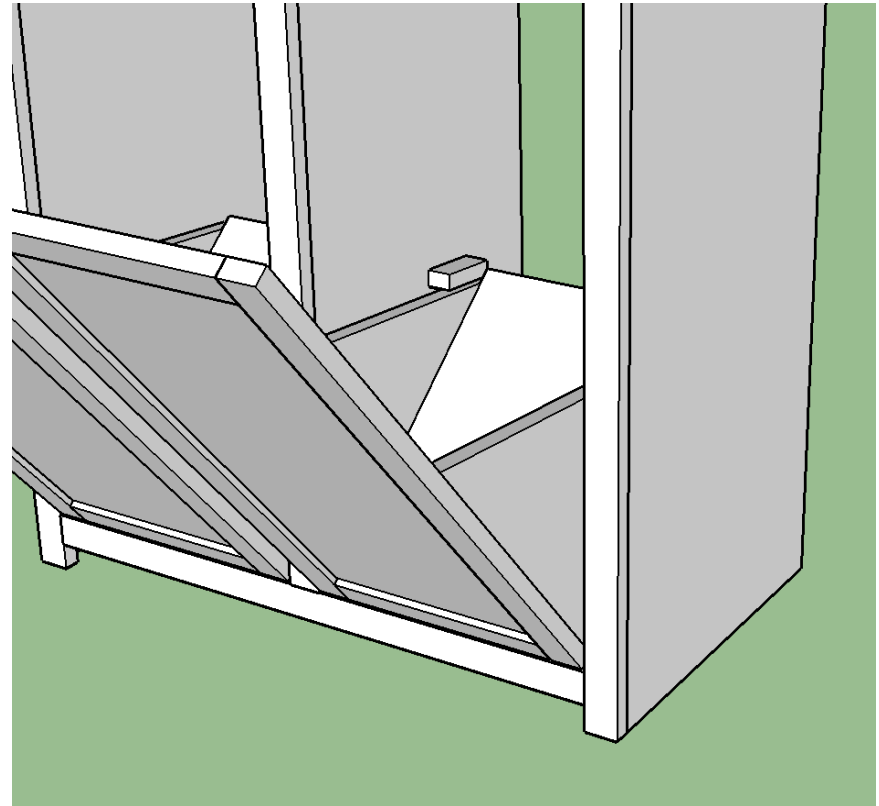
The door size allows for  $\frac{1}{4}$ " of space underneath the door and  $\frac{1}{8}$ " of space around the other sides. If your hinges are too thick, you may need to mortise the door frame a bit to make it fit.



**Step 10:** Shut each door, and then shim up the back of the "C" piece for each door's base until the front of the door is flush with the front of the cabinet. Attach this shim however you like.



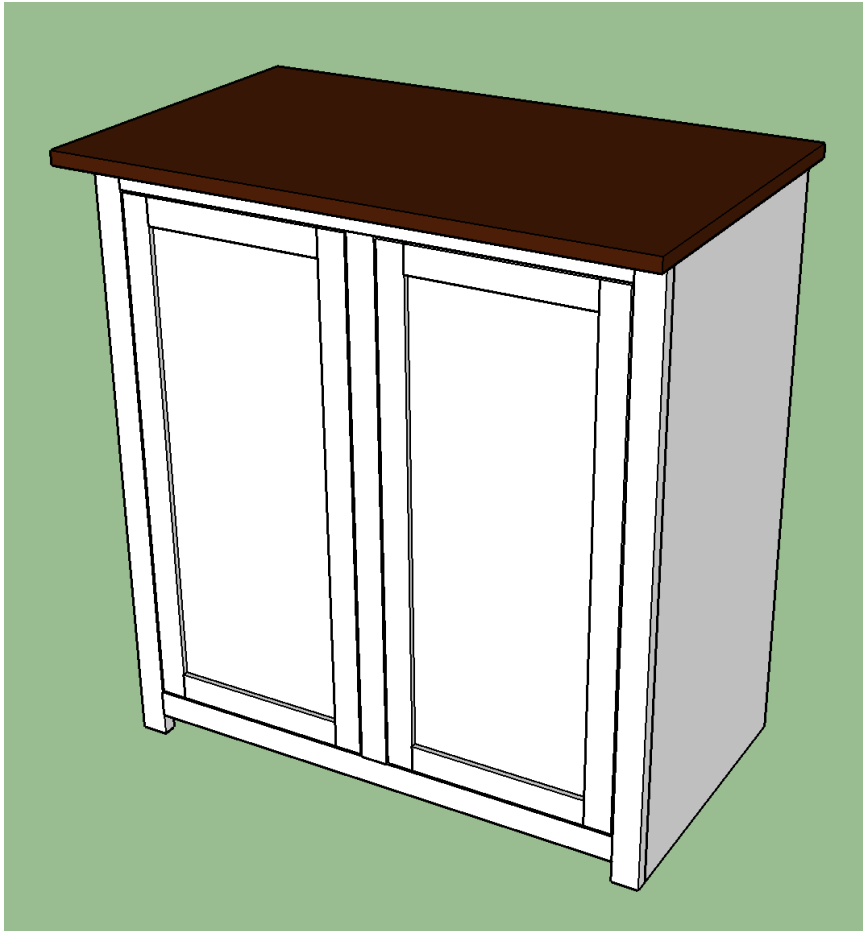
**Step 11:** Attach a stop on each side of the inner cabinet wall "E" that will prevent the door from falling all of the way open. I used a piece of scrap wood positioned so that the door could open about 40° from vertical, but the specific implementation details are up to you.



## Tilt-Out Trash Cabinet Plans

[chrisfinke.com/trash-cabinet](http://chrisfinke.com/trash-cabinet)

**Step 12:** Attach the top using z-clips or your preferred method of joinery.



There you have it -- a handsome tilt-out garbage cabinet ready to be filled with trash. Take a photo of it and send it to me at [cfinke@gmail.com](mailto:cfinke@gmail.com)!