
TIMS-801 JUNIOR USER MANUAL

Telecommunications Instructional Modelling System

TIMS-801 JUNIOR USER MANUAL

Issue Number 1.1 October 2001

Published by:

EMONA INSTRUMENTS PTY LTD

a.c.n. 001 728 276

86 Parramatta Road

Camperdown NSW 2050

Sydney AUSTRALIA

COPYRIGHT © 2001 by **EMONA INSTRUMENTS PTY LTD**

TIMS is a registered trademark of AMBERLEY HOLDINGS PTY LTD

Printed in Australia

CONTENTS

| | | |
|----------------|--|----|
| Part I | TIMS INTRODUCTION | 1 |
| | TIMS OVERVIEW | |
| | SYSTEM CONVENTIONS | 2 |
| | Front Panel Sockets | |
| | Plug-in Modules | |
| | Labeling | |
| | Basic Modules List | 3 |
| | Basic Specifications | |
| Part II | BASIC MODULES USER INSTRUCTIONS | |
| | Adder | 4 |
| | Audio Oscillator | 5 |
| | Buffer Amplifiers | 6 |
| | Dual Analog Switch | 7 |
| | Frequency and Event Counter | 8 |
| | Master Signals | 9 |
| | Multiplier | 11 |
| | Phase Shifter | 12 |
| | Quadrature Phase Splitter | 14 |
| | Sequence Generator | 15 |
| | Tuneable LPF | 17 |
| | Twin Pulse Generator | 18 |
| | Utilities Module | 20 |
| | Variable DC | 22 |
| | Voltage Controlled Oscillator | 23 |
| | 60kHz Lowpass Filter | 25 |

TIMS INTRODUCTION

TIMS OVERVIEW

TIMS is a telecommunications modelling system. It models mathematical equations representing electrical signals, or block diagrams representing telecommunications systems.

TIMS is primarily a hands-on rather than demonstration style teaching system, which combines both the theoretical and practical aspects of implementing systems. We are confident that TIMS will provide the student with a clearer understanding of the concepts behind telecommunications theory.

Physically, the TIMS-801 JUNIOR is a compact, single rack system. The rack accepts up to 8 Eurocard sized, compatible "telecommunications building blocks", or modules. It also contains 4 fixed modules, as well as the system power supply.

The modules are very simple electronic circuits, which function as basic communications building blocks. Each module, fixed or plug-in, has a specific function; functions fall into four general categories:

- Signal Generation** - oscillators, etc
- Signal Processing** - multipliers, filters, etc
- Signal Measurement** - frequency counter
- Digital Signal Processing** - TMS320C50 based

Modules are patched together via the front panel sockets using interconnecting leads, to model the system under investigation.

SYSTEM CONVENTIONS

All TIMS modules conform to the following mechanical and electrical conventions.

A - FRONT PANEL SOCKETS

Signal interconnections are made via front panel, 4mm sockets

Sockets on the **LEFT HAND SIDE** are for signal **INPUTS**.

All inputs are high impedance, typically 56k ohms.

Sockets on the **RIGHT HAND SIDE** are for signal **OUTPUTS**.

All outputs are low impedance, typically 330 ohms.

YELLOW sockets are only for **ANALOG** signals.

ANALOG signals are held near the TIMS standard reference level of 4V pk-pk.

RED sockets are only for **DIGITAL** signals.

DIGITAL signals are TTL level, 0 to 5 V.

GREEN sockets are all common, or system **GROUND**.

Note that input and output impedances are intentionally mismatched, so that signal connections may be made or broken without changing signal amplitudes at module outputs.

B - PLUG-IN MODULES

Any plug-in module may be placed in any of the 12 positions of the upper rack. All modules use the back plane bus to obtain power supply : only the DSP modules (not part of the BASIC SYSTEM) use the bus to transfer signals. The modules are designed so that they may be plugged-in or removed at any time, without turning off the system power. **The modules are not locked into position and may need to be held while interconnecting leads are removed.**

C - LABELING

All modules are identified as to the function they perform.

Inputs, outputs, controls and switches are labeled so that a student who has had only a brief introduction to TIMS can use the modules without needlessly referring back to this USER MANUAL.

It should be noted that no variable controls have calibration marks. This is intentional, as the philosophy behind TIMS is that students setup and adjust systems by observing and measuring signals. This assists the student in gaining a much greater understanding, feel and insight into the operation of a communications implementation.

D - BASIC MODULE LIST

Below are listed all the fixed, TIMS-801 JUNIOR SYSTEM MODULES and the optional plug-in BASIC modules.

TIMS-801 JUNIOR SYSTEM FIXED MODULES

Buffer Amplifiers
Frequency and Event Counter
Master Signals
Variable DC

OPTIONAL BASIC PLUG-IN MODULES

Adder
Audio Oscillator
Dual Analog Switch
Multiplier
Phase Shifter
Quadrature Phase Splitter
Sequence Generator
Tuneable LPF
Twin Pulse Generator
Utilities Module
Voltage Controlled Oscillator
60kHz Lowpass Filter

BASIC SPECIFICATIONS

POWER SUPPLY

Input 110, 127, 220 or 240V AC, 47Hz to 63Hz

Output +15V, 1.25A DC
-15V, 1.25A DC

Protection short circuit, overload, thermal

Regulation 0.2%

PHYSICAL

Case Dimensions 490(W) x 330(D) x 310(H) mm

System Weight 10kg

Plug-in Card Dimensions 160 x 100 mm

Plug-in Card Bus Connectors 64 way, 2 row, Eurocard

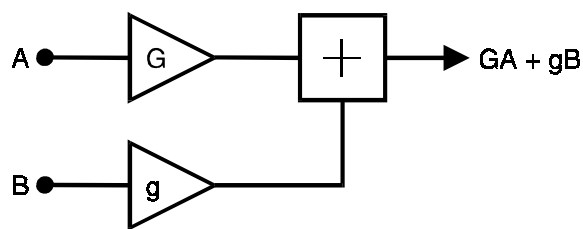
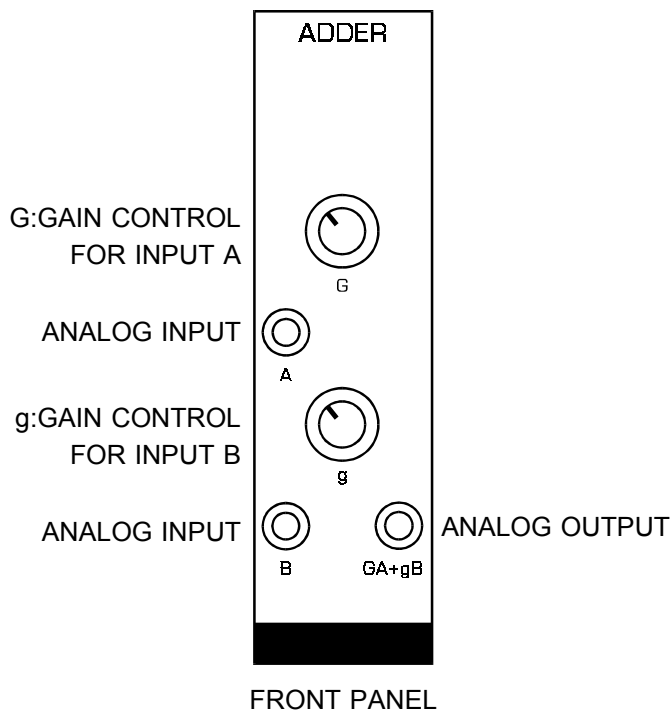
MODULES

Specifications for each module are listed in the following pages.

ADDER

OPTIONAL BASIC PLUG-IN MODULE

Two analog input signals **A(t)** and **B(t)** may be added together, in adjustable proportions **G** and **g**. The resulting sum is presented at the output.



BLOCK DIAGRAM

USE

Care must be taken when adjusting the gains to avoid overloading the following modules. Overloading will not cause any damage but it means non-linear operation, which is to be avoided in analog systems. The ADDER is capable of delivering a signal well in excess of the standard reference level, 4V pk-pk, given a standard level input.

The ADDER can also be used as a normal amplifier by using only one input and turning the gain of the other input to minimum. It is not necessary to ground the unused input.

Note that gains **G** and **g** are negative. All inputs and outputs are DC coupled.

BASIC SPECIFICATIONS

Gain Range $0 < G < 2$;
 $0 < g < 2$;

Bandwidth approx. 1MHz

Output DC Offset <10mV, open circuit inputs

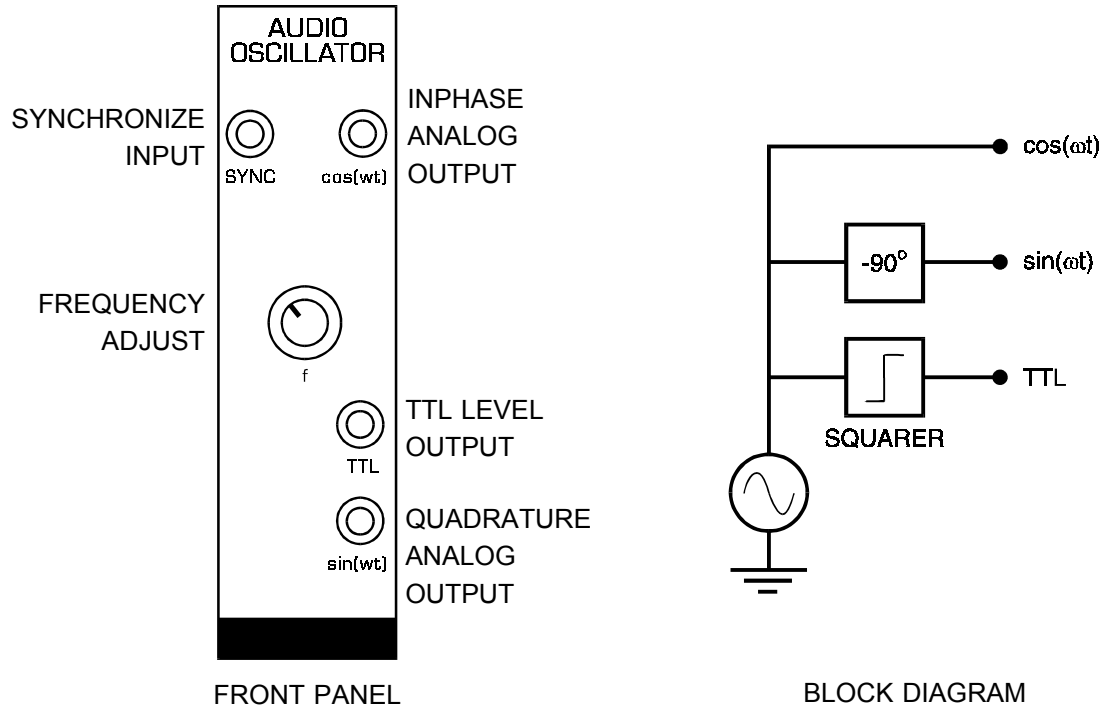
PARAMETERS TO NOTE

maximum output level; linearity; polarity inverting; phase shift

AUDIO OSCILLATOR

OPTIONAL BASIC PLUG-IN MODULE

The AUDIO OSCILLATOR is a low distortion tuneable frequency sinewave source with a frequency range from 500Hz to 10kHz. Three outputs are provided. Two outputs are sinusoidal, with their signals in quadrature. The third output is a digital TTL level signal.



USE

The frequency of each of the three outputs is the same and is varied by the front panel Δf control. Both the in-phase and quadrature analog output signals have fixed amplitude. Their shape is sinusoidal, having a distortion of less than 0.1%.

The AUDIO OSCILLATOR may be synchronized to an external periodic signal by connecting such a signal to the front panel **SYNC** input. A signal of about 1 volt peak is adequate for this purpose. For synchronization to be achieved, the AUDIO OSCILLATOR must be manually tuned to within a few percent of the frequency to which synchronization is desired.

BASIC SPECIFICATIONS

Frequency Range 300Hz to 10kHz

Analog Output Level 4V pk-pk

Distortion <0.1% analog outputs only

Digital Output TTL level

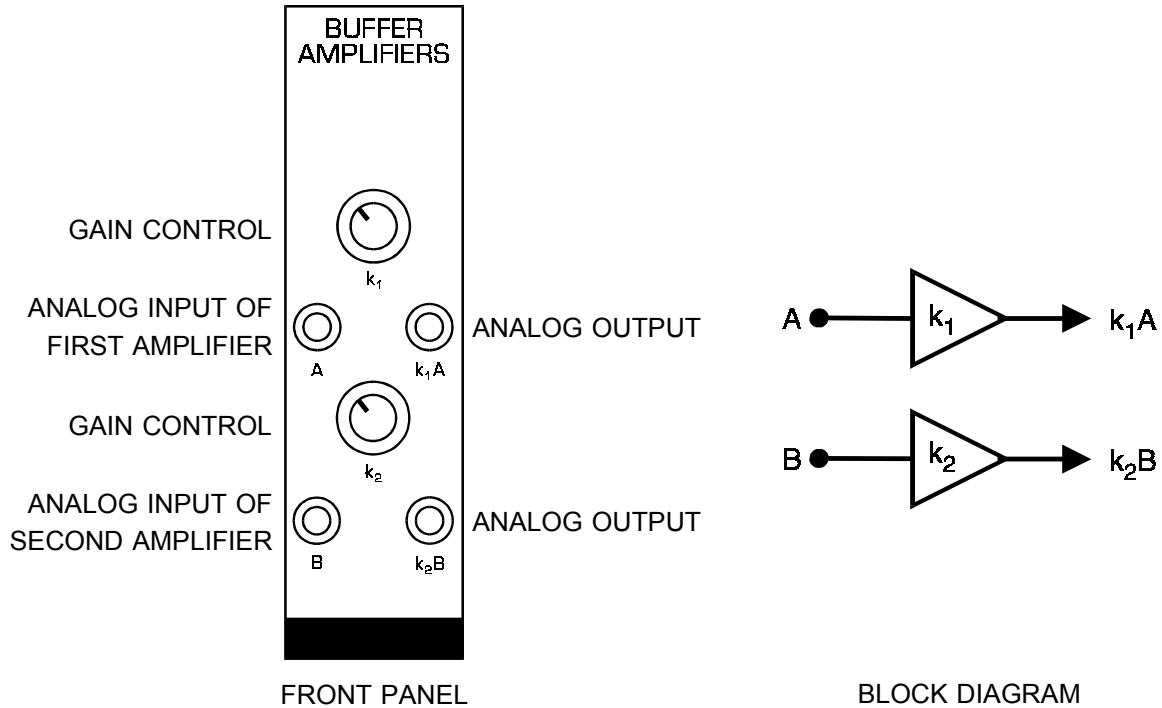
PARAMETERS TO NOTE

frequency range; relative phase of outputs; amplitude stability with frequency range; harmonic content; short term stability; synchronizing characteristic.

BUFFER AMPLIFIERS

TIMS-801 JUNIOR FIXED SYSTEM MODULE

Two independent variable gain amplifiers are provided.



USE

These buffers may be used to amplify small signals or attenuate large signals. Each amplifier has its own gain control on the front panel.

Care should be taken to ensure that later modules are not overloaded due to excessive gain. Overload will not cause any damage but it means non-linear operation, which is to be avoided in analog systems. If overload occurs, turn the gain control counter clockwise.

BASIC SPECIFICATIONS

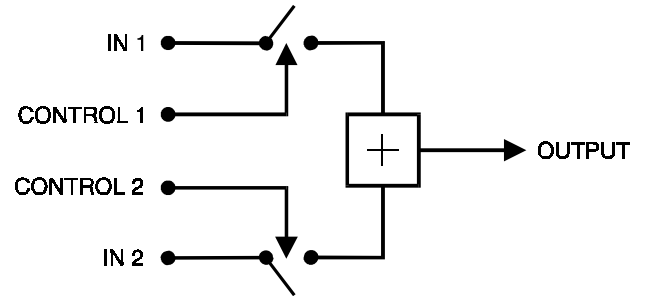
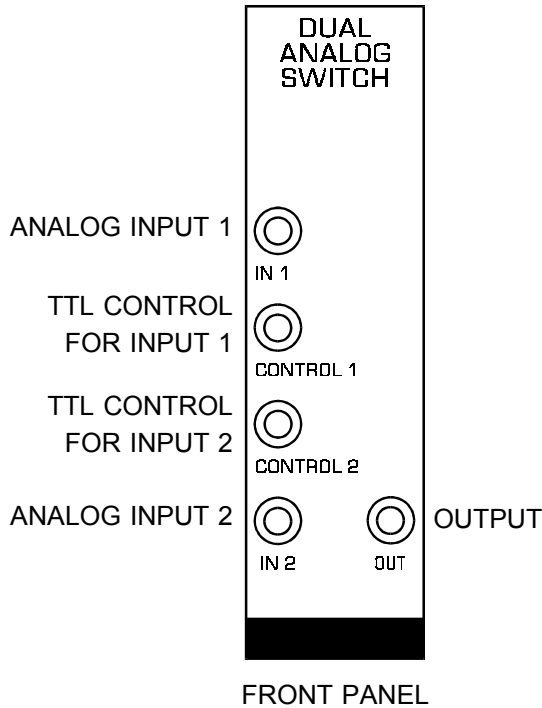
Bandwidth DC to approx. 1MHz

Gain 0 to 10

DUAL ANALOG SWITCH

OPTIONAL BASIC PLUG-IN MODULE

Two identical analog switches are controlled by digital, TTL level signals. The outputs of the two switches are added internally and presented at the output of the module.



USE

Each switch may be closed independently by a TTL HIGH at the respective control input. The switch outputs are combined internally and are presented at the common output socket. Open circuit voltage gain between each input and the module output is unity when the switch is closed.

BASIC SPECIFICATIONS

Analog Input Bandwidth >300kHz
Maximum CONTROL clock > 100kHz
CONTROL Input Levels TTL only
Maximum Analog Input Level $\pm 8V$

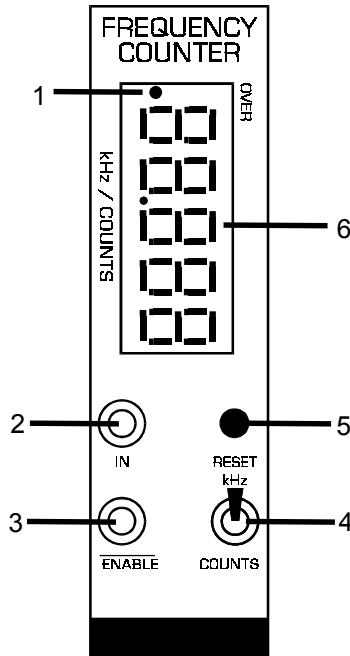
PARAMETERS TO NOTE

switch On/Off ratio; linearity; switching speed; analog bandwidth; channel cross talk; DC off-set

FREQUENCY COUNTER

TIMS-801 JUNIOR FIXED SYSTEM MODULE

The TIMS-801 JUNIOR's counter is a 5 digit, 99.999kHz frequency and event counter.



BASIC SPECIFICATIONS

- 1 **OVER**flow indication LED
- 2 **ANALOG/TTL** input:
 - Bandwidth** 40Hz to greater than 100 kHz
 - Sensitivity** 250mV typically, @ 100kHz
 - Maximum input** $\pm 12V$
- 3 **TTL ENABLE** may be used to gate the TTL input signal. Specifications are same as for the main input.
- 4 Mode selection switch
 - kHz : Frequency counter mode** Gate time of 1s with reading in kHz
 - COUNTS : Event counter mode** displays number of pulses counted since last RESET
- 5 **RESET Push Button** resets the count of the Event Counter to zero
- 6 5 digit, 7 segment display of frequency or pulse counts; maximum display 99999

ADVANCED FREQUENCY COUNTER INFORMATION

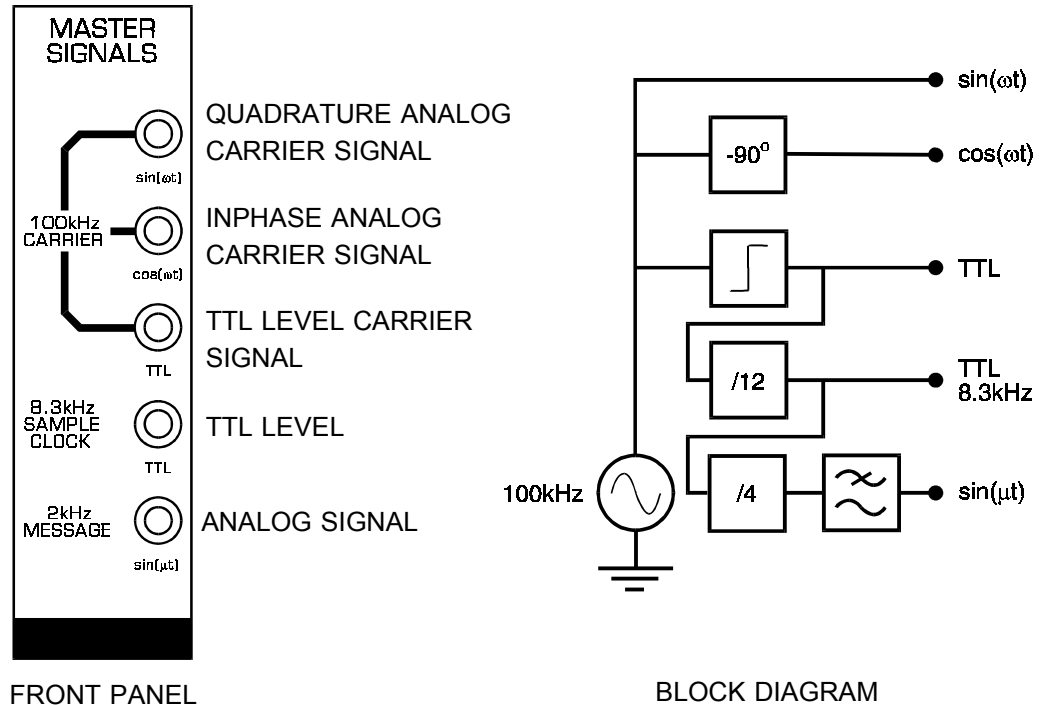
In frequency counter mode this module can be used, along with an oscilloscope, to accurately measure the frequency of signals between 100kHz and 900kHz. If a signal of more than 100kHz is input, then the OVERFLOW LED will be lit. However the 5 digit display will always accurately display the 5 least significant digits of the measurement.

So if an oscilloscope is used to determine the frequency of the unknown signal to the nearest 100kHz, this module's 5 digit display will measure the lower 5 significant digits of the frequency measurement.

MASTER SIGNALS

TIMS-801 JUNIOR FIXED SYSTEM MODULE

Five synchronized analog and digital signals are available, ranging from 2kHz to 100kHz. The function and frequency of each signal is indicated on the front panel.



USE

Signals are labeled as follows:

CARRIER signals are 100kHz, which for modelling purposes is sufficiently far from the audio channel bandwidth of 3kHz.

The **SAMPLE CLOCK** of 8.3kHz, which may be used to sample bandwidth-limited (3kHz) audio message signals.

MESSAGE provides an audio frequency signal which is synchronized to a sub-multiple of the carrier to enable 'text-book' like displays of simple modulation schemes to be achieved.

The five signals are derived from a master crystal oscillator resulting in low frequency drift. Their frequencies are fixed internally. The output levels are also fixed. To vary the amplitude, the signals may be applied to the neighboring buffers.

The analog signals are sinusoidal in shape, having a distortion of less than 0.1%. Digital signals are all standard TTL level, with rise times of better than 80nsec.

BASIC SPECIFICATIONS

Output Frequencies 100kHz, carrier
8.333kHz, sample clock
2.083kHz, audio (carrier sub-multiple)

Output Levels 4V pk-pk, analog
TTL level, digital

Distortion <0.1%, analog outputs only

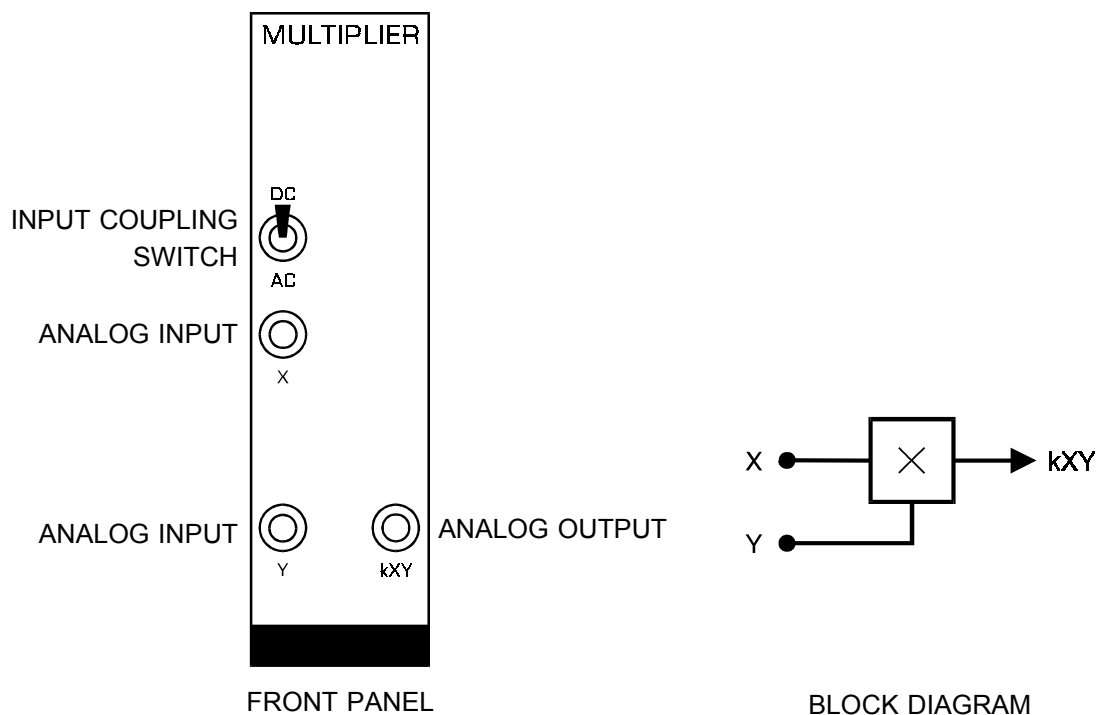
PARAMETERS TO NOTE

short term frequency stability; relative phase of quadrature outputs; harmonic content.

MULTIPLIER

OPTIONAL BASIC PLUG-IN MODULE

Two analog input signals $X(t)$ and $Y(t)$ may be multiplied together. The resulting product is scaled by a factor of approximately $1/2$ so that, with standard level inputs, later stages are not overloaded.



USE

The input coupling switch may be used to remove input DC components by switching to AC coupling. It should be noted that any DC component in the output will not be removed.

The "k" factor (a scaling parameter associated with "four quadrant" multipliers) is approximately one half. It is defined with respect to the OUTPUT from the module and may be measured experimentally.

BASIC SPECIFICATIONS

Bandwidth approx. 1MHz

Characteristic $k \cdot X(t) \cdot Y(t)$

k approx. $1/2$

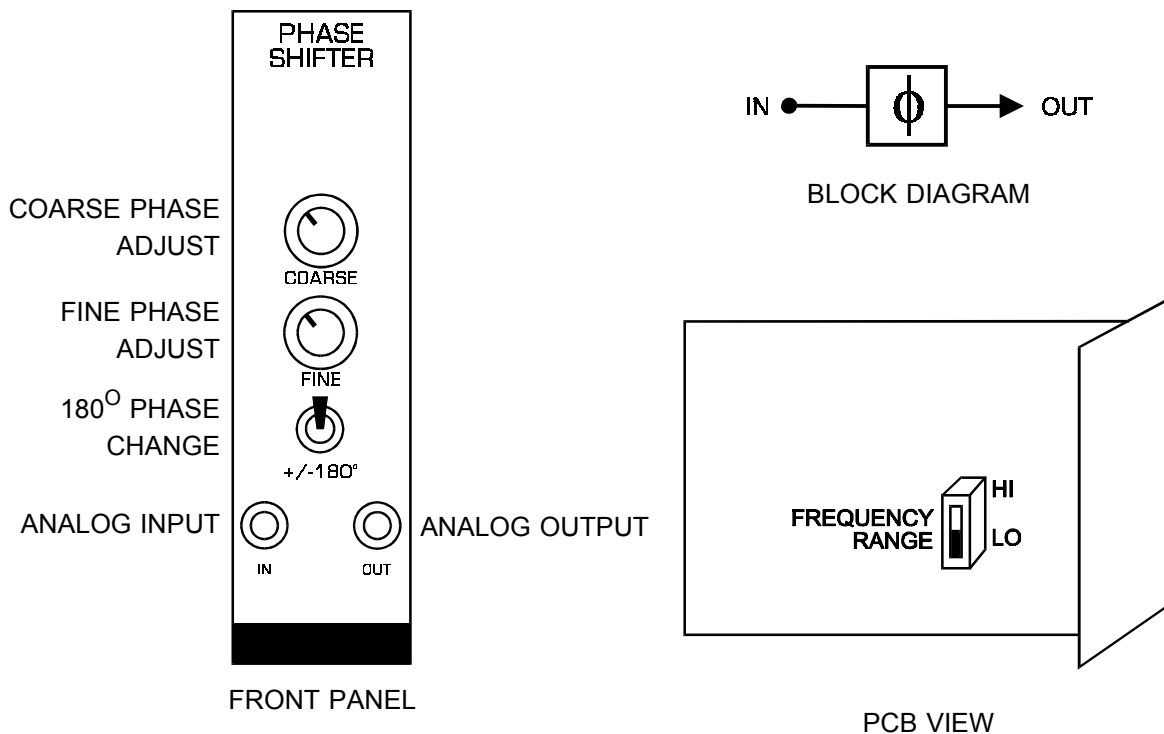
PARAMETERS TO NOTE

linearity; k factor; carrier leak; phase response; DC off-set; performance as a squarer; frequency response; "conversion gain" as a (de)modulator.

PHASE SHIFTER

OPTIONAL BASIC PLUG-IN MODULE

The PHASE SHIFTER introduces a phase shift between its input and output. This phase shift is adjustable by the user. The frequency range of operation can be selected by PCB mounted switch.



USE

This variable PHASE SHIFTER is capable of varying the magnitude of the phase shift through 360 degrees in two steps. The 180 degree switch selects the step or region of interest; the **COARSE** and **FINE** controls are used to then obtain the required phase shift, Φ .

If the input is $\text{COS}(\mu t)$, then the output is $\text{COS}(\mu t - \Phi)$, where Φ lies between 0 and 180 degrees. Although the PHASE SHIFTER will operate from a few hertz up to 1MHz it has been optimized to operate in the neighborhood of two frequencies: around 100kHz in the HI range and around 2kHz in the LO range. A PCB mounted switch is used to select the frequency range.

The open circuit gain through the PHASE SHIFTER is essentially unity for all phases, but note that the amount of phase shift, Φ , is a function of frequency. This is NOT a wideband phase changer: thus all the frequency components of a complex signal's spectra are not shifted by the same phase.

BASIC SPECIFICATIONS

Bandwidth <1MHz

Frequency Range HI approx. 100kHz *
LO approx. 2kHz *

* For 0 to 360 degree range of phase shift. The phase shift range increases (i.e. resolution decreases) as the input frequency increases.

Coarse approx. 180 degrees shift

Fine approx. 20 degrees shift

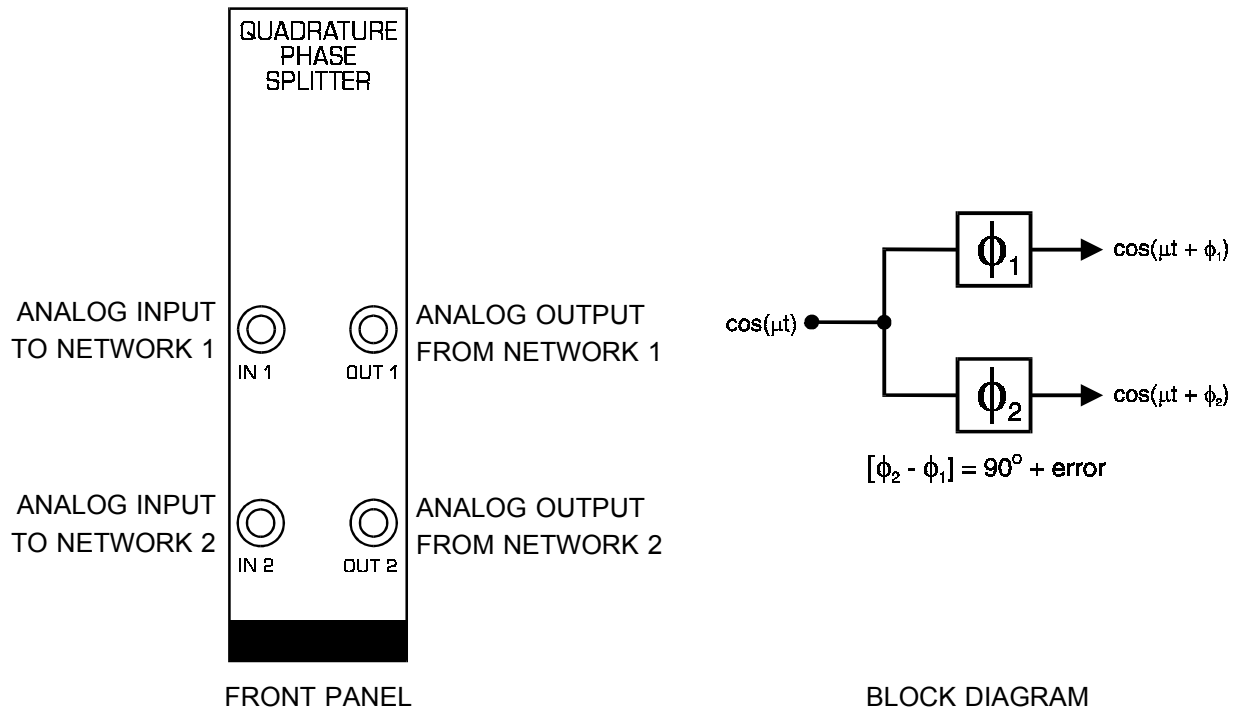
PARAMETERS TO NOTE

Variation of phase change with frequency change.

QUADRATURE PHASE SPLITTER

OPTIONAL BASIC PLUG-IN MODULE

When the same analog signal is applied to both inputs, the two output signals will differ in phase by 90 degrees. The phase splitter networks are wideband, typically covering the range from 200Hz to 10kHz.



USE

The QUADRATURE PHASE SPLITTER consists of two wideband phase shifting networks. The networks' phase responses vary with frequency in a complimentary manner, giving a 90 degree phase difference between the outputs, over a wide frequency range.

In communications the most important application is the generation and demodulation of Single Sideband by the "phasing method".

BASIC SPECIFICATIONS

Frequency Range 200Hz to 10kHz typically

Phase Response 90 degrees between outputs, given the same input signal to both networks.

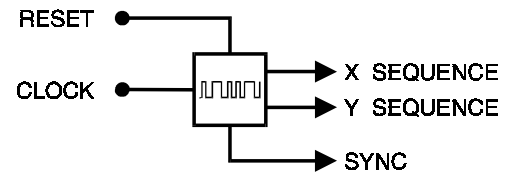
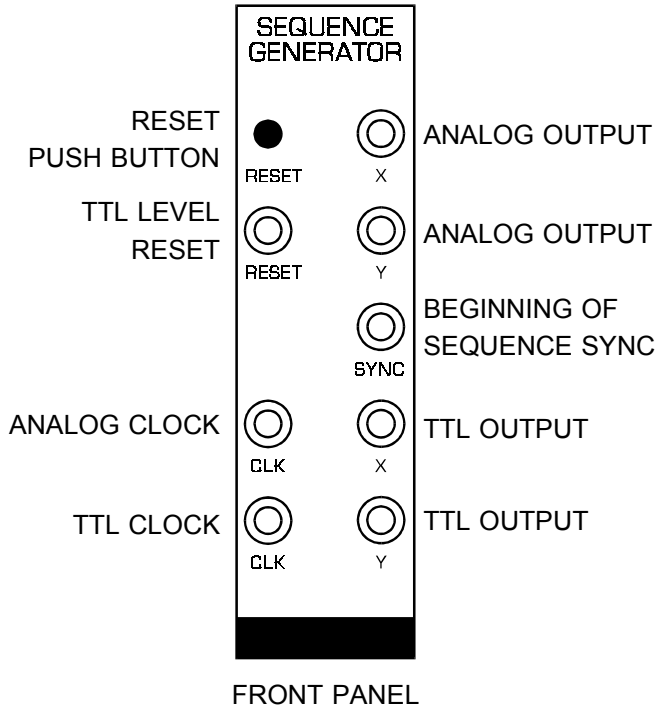
PARAMETERS TO NOTE

Phase error from 90 degrees. This may be measured directly (difficult !) or calculated from side-band suppression measurements.

SEQUENCE GENERATOR

OPTIONAL BASIC PLUG-IN MODULE (PSEUDORANDOM SEQUENCE GENERATOR)

Using a common external clock signal, the sequence generator outputs two independent pseudorandom sequences **X** and **Y**. A **SYNC** output is provided which is coincident with the start of the sequences. The sequences may be stopped and restarted at any time via front panel controls. Sequences **X** and **Y** are available as either standard TTL or analog level output.



USE

An external clock signal must be provided to operate the SEQUENCE GENERATOR. This may be sinusoidal or TTL: separate input sockets are used.

The sequences may be stopped at any time by either depressing the **RESET button** or applying a TTL HI signal to the **RESET input**. To restart the sequences from the beginning, release the **RESET button** or apply a TTL LO to the **RESET input**.

The length of the sequences may be selected by a PCB mounted dip switch. Four independent sequence pairs are available from lengths of 2^5 to 2^{11} .

The sequences are selected as follows:

| DIP SWITCH CODE | | n | SEQUENCE LENGTH 2^n |
|-----------------|---|----|-----------------------|
| msb 0 | 0 | 5 | 32 |
| 0 | 1 | 8 | 256 |
| 1 | 0 | 8 | 256 |
| 1 | 1 | 11 | 2048 |

BASIC SPECIFICATIONS

Input Clock Range TTL 1Hz to 1MHz

Analog <500Hz to >10kHz

Number of Sequences 4 pairs

Sequence Lengths 2^5 , 2^8 , 2^8 , 2^{11}

Sync indicates start of sequence

PARAMETERS TO NOTE

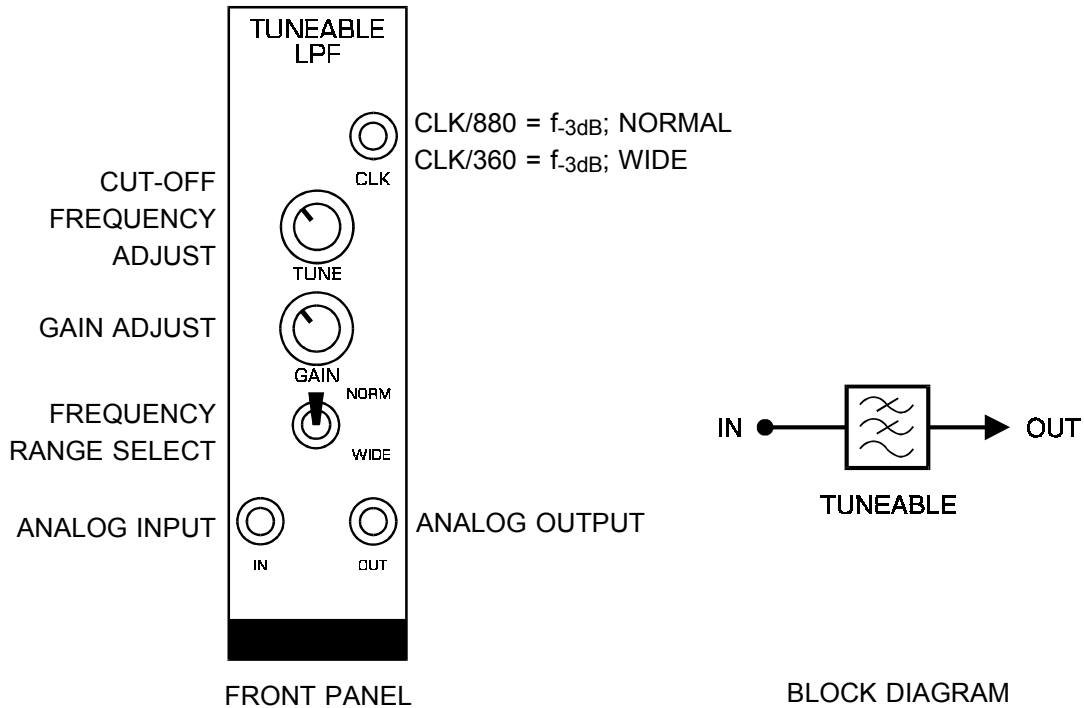
sequence distribution; noise generation using pseudorandom sequences.

TUNEABLE LPF

OPTIONAL BASIC PLUG-IN MODULE

The cutoff frequency of this LOWPASS FILTER can be varied using the **TUNE** control.

Two frequency ranges, **WIDE** (2.0kHz to 12kHz) and **NORMAL** (900Hz to 5kHz), can be selected by a front panel switch. The **GAIN** control allows input signals to be attenuated if required.



USE

This lowpass filter has a 7th order elliptic filter characteristic. The stopband attenuation is typically 50dB and passband ripple is approximately 0.5dB.

The **GAIN** control should be used to attenuate large input signals and thus avoid saturation of the filter output circuits. Two frequency ranges are provided. **NORMAL** range provides more precise control over the lower audio band, used for telecommunications message channels. The **WIDE** range expands the filter's range to above 10kHz.

The **CLK** output provides an indication of the filter's cutoff frequency. Note that above 9kHz the dividing factor increases from 340 to 430 at 12kHz.

BASIC SPECIFICATIONS

Filter Ranges 900Hz < NORMAL < 5 kHz and
2.0kHz < WIDE < 12 kHz,
continuously variable over each range.

Stopband Attenuation > 50dB

Passband Ripple < 0.5dB

PARAMETERS TO NOTE

corner point; phase shift; gain range; passband ripple; out of band attenuation.

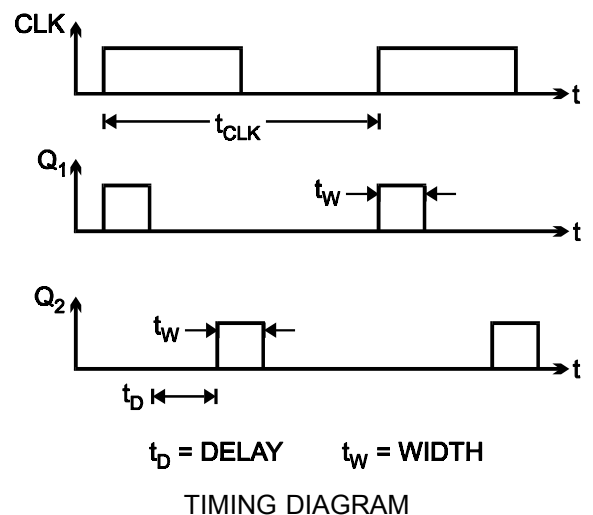
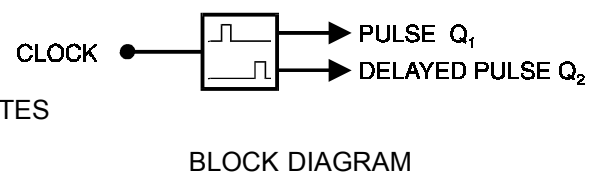
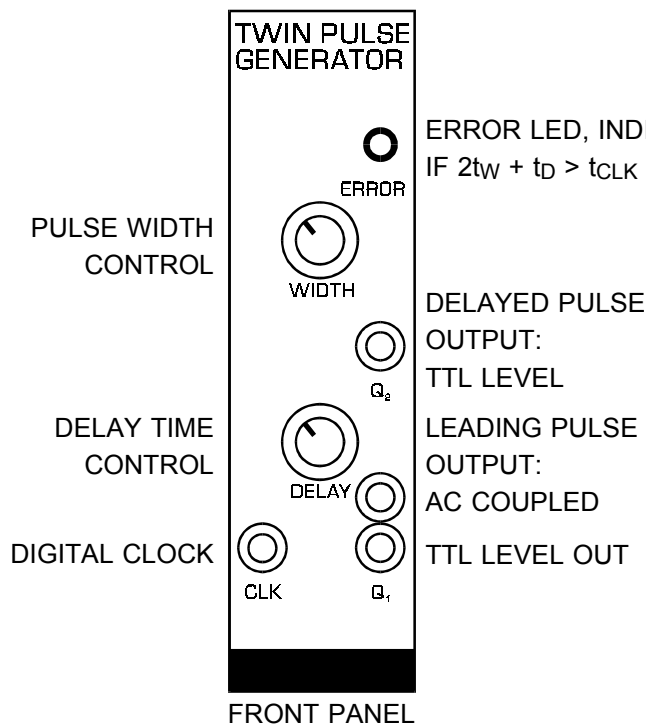
TWIN PULSE GENERATOR

OPTIONAL BASIC PLUG-IN MODULE
(TWIN PULSE GENERATOR - VERSION 2.0)

A positive going edge applied at the **CLOCK** input causes a positive pulse to occur at the output terminals. There are two operating modes: TWIN and SINGLE. Only TWIN mode is limited to low frequency **CLOCK** inputs.

In TWIN mode, **Q₁** outputs the leading pulse and **Q₂** outputs the delayed pulse. The time between pulses **Q₁** and **Q₂** can be varied, as can the pulses' widths.

In SINGLE mode, only **Q₁** outputs a positive going pulse, while **Q₂** outputs the inverse of **Q₁**. The pulse width can be varied.



USE

A digital TTL level signal is applied to the **CLK** input. The GENERATOR then outputs one or two pulses, depending upon the operating mode selected. Use the PCB mounted MODE switch to select either SINGLE or TWIN operating mode.

TWIN MODE

TWIN mode is used when two sequential pulses are needed. Two equal width positive pulses occur as a result of each **CLK** signal positive edge. Pulse **Q₁** always occurs before pulse **Q₂**. The width of both pulses is controlled by the front panel **WIDTH** control. The **DELAY** control varies the spacing between the two pulses. Note that TWIN mode will only accept **CLOCK** input signals of up to 50kHz, depending upon front panel settings.

If **WIDTH** and **DELAY** have been incorrectly set, causing anomalous operation, the **ERROR LED** will be lit. To eliminate the error reduce **DELAY** and then **WIDTH** - by turning counter clockwise.

SINGLE MODE

SINGLE mode is used to obtain a train of equal width pulses from any TTL level signal.

Equal width positive pulses occur at **Q₁** output as a result of each **CLK** signal positive edge. The width of the pulses is controlled by the front panel **WIDTH** control. **Q₂** simultaneously outputs the compliment of **Q₁**. The **DELAY** control is not used in this mode.

Note that **Q₁** includes both a TTL level and an AC coupled output pulse.

BASIC SPECIFICATIONS

TWIN MODE

Clock Frequency Range < 50kHz

Pulse WIDTH $3\mu\text{s} < t_w < 25\mu\text{s}$

Pulse DELAY Q₂-Q₁ $10\mu\text{s} < t_d < 120\mu\text{s}$

Error Indication $2t_w + t_d > t_{\text{CLK}}$

SINGLE MODE

Clock Frequency Range < 200kHz

Pulse WIDTH $3\mu\text{s} < t_w < 25\mu\text{s}$

UTILITIES MODULE

OPTIONAL BASIC PLUG-IN MODULE

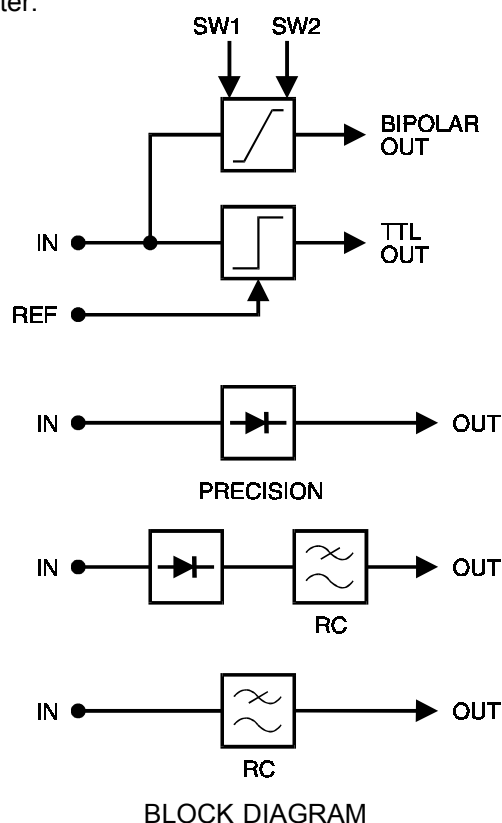
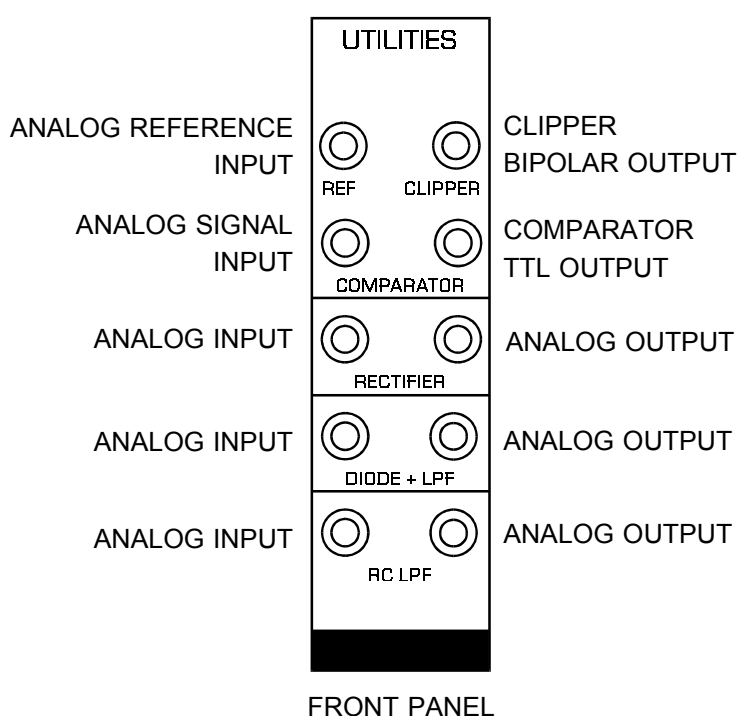
The Utilities Module houses 4 independent functional blocks:

(i) A signal COMPARATOR with TTL output and CLIPPER with bipolar output, for squaring analog waveforms. The COMPARATOR's threshold level may be set as required by applying a DC voltage to the REF input. The CLIPPER's gain may be set by adjusting DIP switches **SW1** and **SW2**.

(ii) Precision halfwave RECTIFIER.

(iii) Simple diode and single pole, audio range, RC Lowpass Filter.

(iv) Single pole, audio range, RC Lowpass Filter.



USE

COMPARATOR

The COMPARATOR will square any analog signal and provide a standard TTL level output. The switching threshold level is determined by the voltage level applied to the **REF** input.

NOTE: For correct COMPARATOR operation, the **REF** input must never be left unconnected. The **REF** input may be connected to GROUND, VARIABLE DC or any other signal source.

CLIPPER

The CLIPPER will amplify any analog TMS level signal and then clip the amplitude of the amplified signal, to a fixed level of approximately $\pm 1.8V$. The clipping action is performed by standard small signal diodes.

NOTE: The **REF** input is NOT used by the CLIPPER.

Adjusting the gain of the CLIPPER, determines whether the clipping action is "SOFT", "MEDIUM" or "HARD". The following table, UTIL-1, relates DIP switch settings to CLIPPER gains and clipping action,

| CLIPPING ACTION | GAIN (approx.) | DIP SWITCH SETTINGS | |
|-----------------|----------------|---------------------|------------------|
| | | SW1 (both a & b) | SW2 (both a & b) |
| SOFT | x0.8 | ON - ON | OFF - OFF |
| MEDIUM | x8 | OFF - OFF | OFF - OFF |
| HARD | x40 | OFF - OFF | ON - ON |
| - | not applicable | ON - ON | ON - ON |

Table UTIL-1: CLIPPER gain settings

DIP switches SW1 and SW2 will be found in the middle of the UTILITIES module's circuit board.

NOTE: Both halves (bits) of each switch must be in the SAME position at all times.

BASIC SPECIFICATIONS

COMPARATOR

Operating Range > 500kHz

TTL Output Risetime 100nsec (typ)

CLIPPER

Operating Range > 500kHz

Output Level 1.8Vpk (typ)

Adjustable Gains 3 steps; x0.8, x8 and x40 (approx.)

RECTIFIER

Bandwidth DC to 500kHz (approx.)

DIODE & LPF

LPF -3dB 2.8kHz (approx.)

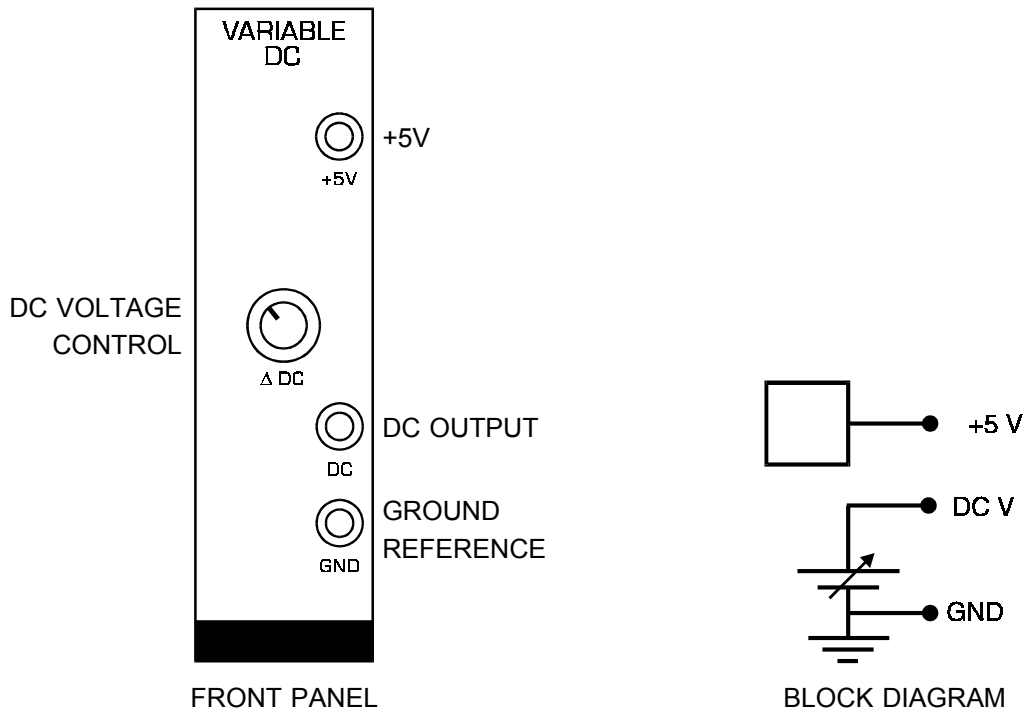
RC LPF

LPF -3dB 2.8kHz (approx.)

VARIABLE DC

TIMS-801 JUNIOR FIXED SYSTEM MODULE

The VARIABLE DC module is a stable, bipolar DC source and a fixed +5V output.



USE

The DC voltage output varies from about -2.5V when the control is fully counter clockwise through zero to +2.5V when control is turned fully clockwise. If greater resolution or wider range is required, then one of the BUFFER AMPLIFIERS can be used in conjunction with the VARIABLE DC module.

The fixed output provides a TTL level logical HI, +5V.

BASIC SPECIFICATIONS

Voltage Range $\pm 2.5V$ DC

Short-term Stability $< 2mV/hr$

Resolution approx. 20mV

Output Current $< 5mA$

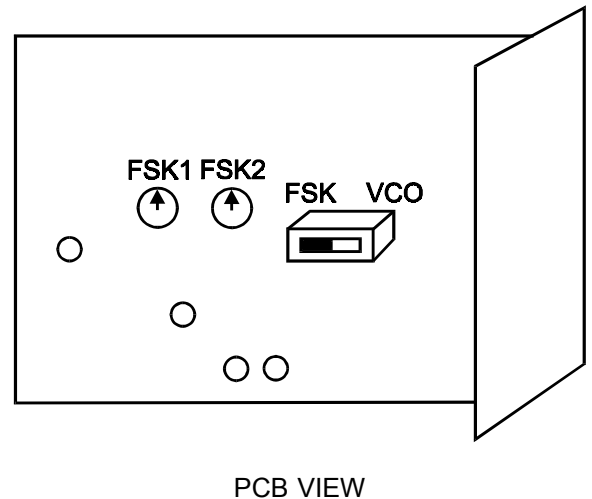
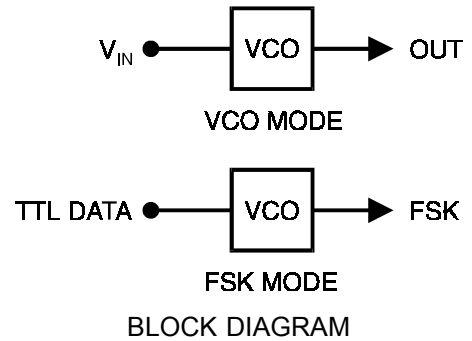
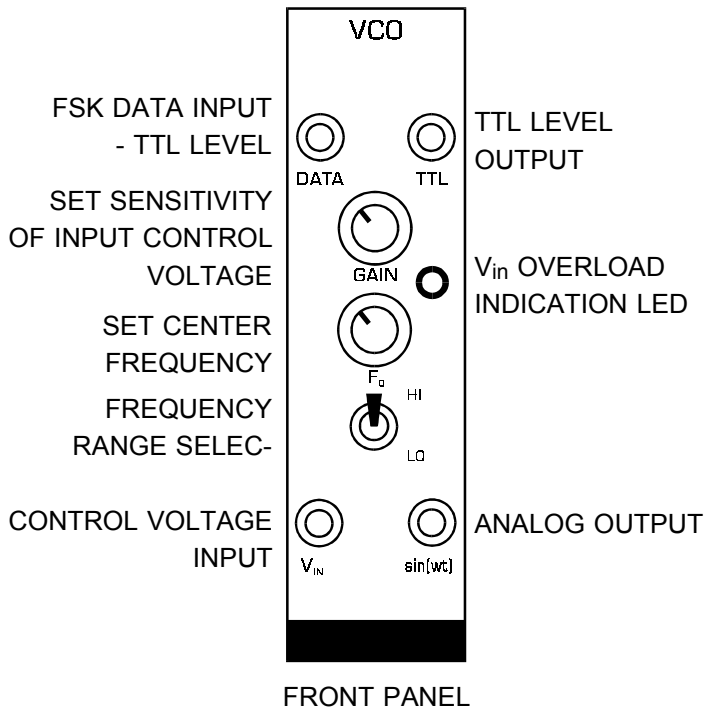
Fixed Output +5V DC

Output Current approx. 15mA

VCO

OPTIONAL BASIC PLUG-IN MODULE

The Voltage Controlled Oscillator module functions in two modes: either as a VOLTAGE CONTROLLED OSCILLATOR with analog input voltage or as an FSK GENERATOR with digital input. Both modes have two frequency ranges of operation which are selected by a range switch. The VCO frequency and input sensitivity can be controlled from the front panel.



VCO USE

STANDARD VCO OPERATION

The VCO output frequency is controlled by an analog input voltage. The input voltage, V_{in} , is scaled - amplified - by the front panel **GAIN** control. A DC voltage can be added to V_{in} internally, thus setting the start or CENTER FREQUENCY, f_0 . The CENTER FREQUENCY is defined as the VCO output frequency, when no voltage is applied to the V_{in} connector. The V_{in} input is internally tied to ground if no signal is applied.

The **V_{in} OVERLOAD LED** is lit when the sum of these voltages - scaled V_{in} plus CENTER FREQUENCY DC offset - exceed the oscillator's internal operating limits. Decrease the **GAIN** - turn counter clockwise - and/or shift the CENTER FREQUENCY, f_0 , to extinguish the LED.

The frequency range switch selects between the **HI** or carrier band and the **LO** or audio band. Both sinewave and digital outputs are available.

SPECIAL VCO OPERATION - FINE FREQUENCY CONTROL

In some applications, fine control may be required over the output frequency of the VCO. This may be easily achieved by following these four steps:

MODULES REQUIRED: VCO and VARIABLE DC.

STEP 1 - Set the VARIABLE DC module's output close to zero (marker knob at 12 o'clock position).

STEP 2.1 - Turn the **GAIN** control of the VCO to zero, fully counter-clockwise.

STEP 2.2 - Now, turn the **GAIN** control up, clockwise, just a little (only a few degrees).

STEP 3 - Set the VCO module's output frequency as close as possible to the frequency of interest. Use the frequency adjust knob, f_o . Use the FREQUENCY COUNTER to measure the VCO's output frequency.

STEP 4 - Finally, patch the VARIABLE DC module's output to the VCO module's frequency control input, V_{in} , with a standard patching lead.

FINE FREQUENCY CONTROL of the VCO module is now achieved by turning the VARIABLE DC module's voltage control knob.

FSK USE

A PCB mounted slide switch selects between FSK and VCO modes of operation. The two output frequencies, **FSK₁** and **FSK₂**, (MARK and SPACE), are set by varying the PCB mounted, finger adjustable trimmers. As in VCO mode, the frequency range switch selects between the **HI** or carrier band and the **LO** or audio band. The digital data input accepts only TTL level signals. Both sinewave and digital outputs are available.

GAIN and CENTER FREQ, f_o , controls and the V_{in} connector are not used in the FSK mode.

BASIC SPECIFICATIONS

VCO MODE

Frequency Ranges 1.5kHz < LO < 17kHz; sinewave and TTL
(<300Hz with external input voltage, V_{in})
70kHz < HI < 130kHz; sinewave and TTL

Input Voltage $-3V < V_{in} < 3V$

Overload limit indication LED $V_{VCO} > \pm 3V$;

V_{VCO} is the internal voltage finally applied to the VCO circuitry.

GAIN $G.V_{in} : 1 < G < 2$

Center Frequency Voltage Range $-3V < V_{fc} < 3V$;

V_{fc} is a DC voltage added INTERNALLY to $G.V_{in}$

FSK MODE

Frequency Ranges 1.5kHz < FSK₁, LO < 9kHz
500Hz < FSK₂, LO < 4kHz

80kHz < FSK₁, HI < 200kHz

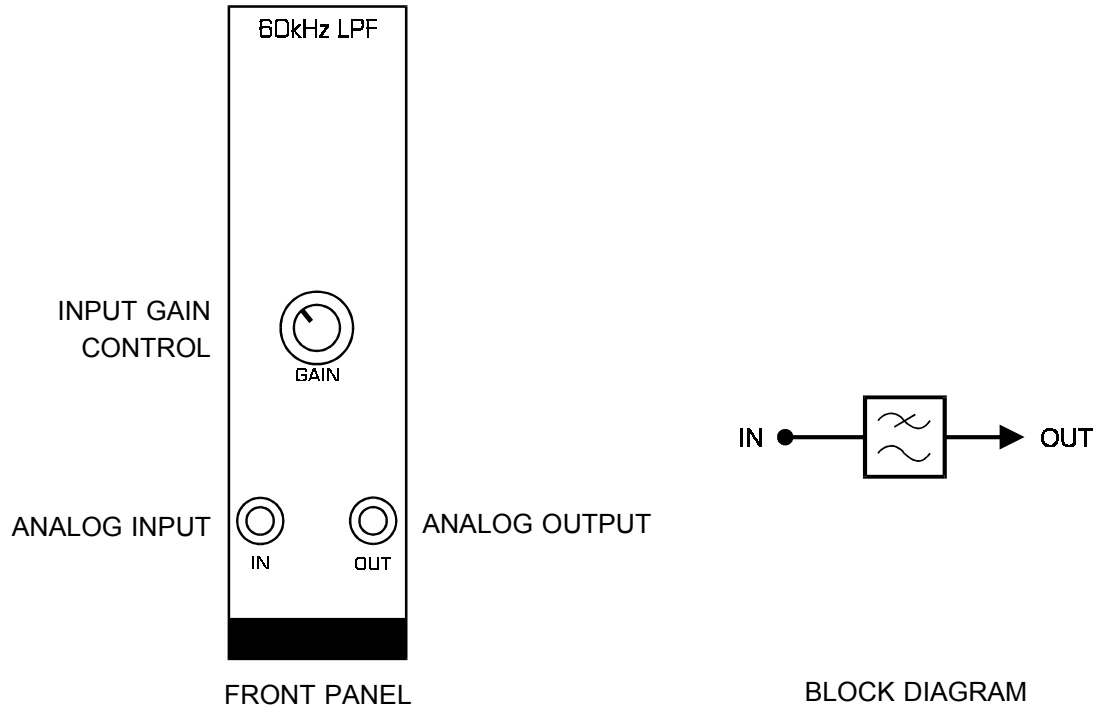
20kHz < FSK₂, HI < 120kHz

Data Input TTL level message

60kHz LOWPASS FILTER

OPTIONAL BASIC PLUG-IN MODULE

An elliptic lowpass filter is provided with a cutoff point of approximately 60kHz. The input signal amplitude can be adjusted with the gain control.



USE

The 60kHz LPF allows carrier signals to be removed from a given signal spectrum. For example, as the lowpass filter for envelope detector applications.

The **GAIN** control allows input signals to be attenuated, to avoid overloading the filter.

BASIC SPECIFICATIONS

Cutoff Frequency approx. 60kHz
Passband Gain variable, 0 to 5 (approx.)
Stopband Attenuation 50dB (typ)
Passband Ripple 0.1dB (typ)

PARAMETERS TO NOTE

corner point; response shape; passband ripple; phase shift; out of band attenuation.