

TIREBOSSTM

PARTS MANUAL

February, 2019

Catalogue # 0617A

Drawings not to scale.

NOTE... For REDLINE-ELTEK parts, please refer to Quick Reference manual or contact TPC International.



TIRE PRESSURE CONTROL INTERNATIONAL LTD.

15803-121A Ave, Edmonton, Alberta, Canada T5V 1B1

Phone (780) 451-4894 Fax (780) 452-6786

Toll Free 1-888-338-3587 E-mail *info@tirepressurecontrol.com*

www.TIREBOSS.com

PRODUCT WARRANTY

f/tec/warr/prod-war.p.65

Warrenty Claim Procedure
f/tec/warr/claimprocedure.doc

Warrenty Claim Form
F/tec/warr/warr-Frm.doc

SYSTEM IDENTIFICATION

System Type TBM100
Tire Pressures Controlled
on Drive Axles Only



System Type TBM200
Tire Pressures Controlled
on Drive and Trailer Axles Only



System Type TBM300
Tire Pressures Controlled
on Drive, Steer and Trailer Axles

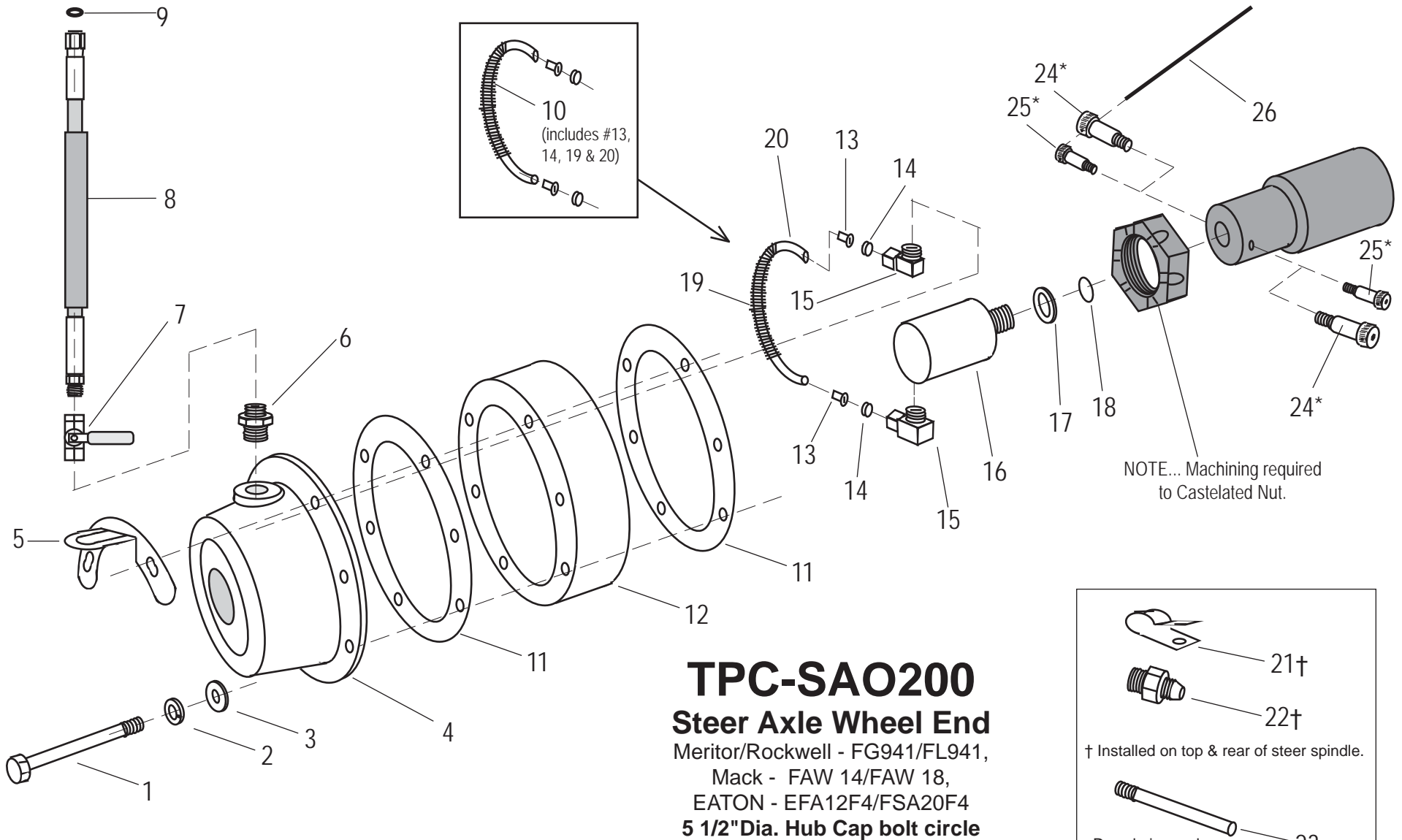


System Type TBM400
Tire Pressures Controlled
on Drive and Steer Axles Only



PARTS MANUAL INDEX

View		Section
Steer Axle Wheel End	Note...Steer axle views shown in this section are of most common and current wheel end kits. Various other configurations exist depending upon steer axle model. Contact TPC International for more information and part	1
Steer Axle Air Supply Line		2
Drive Axle Wheel End	Note...Drive axle views shown in this section are of most common and current wheel end kits. Various other configurations exist depending upon drive axle model. Contact TPC International for more information and part identification.	3
Drive Axle Air Line Hangers		4
Drive Axle Air Supply Line		4
Additional Air Line Hangers for Tri-Drives		4
Trailer Main Air Supply Line on Truck		5
Trailer Wheel Ends	Note...Trailer axle views shown in this section are of most common and current wheel end kits. Various other configurations exist depending upon trailer axle model. Contact TPC International for more information and part	6
Trailer Air Supply Line	Note...Trailer view shown is of most common configuration. Various other configurations exist depending upon number of axles.Contact TPC International for more information and part identification.	7
Trailer Axle Tube		8
Wheel End Valve (WEV) Manifold Mount		9
Operator Controller		10
Valve Module Overview		11
Box, Lid and Static Tank		11
Box Hardware and Accessory		11
Valve Body		11
Y-Filter Assembly		11
Valve Control Module		12
Main Air Supply and Pressure Protection Valve		13
Spare Parts Kits		14



Note...Steer axle views shown in this section are of most common and current wheel end kits. Various other configurations exist depending upon steer axle model. Contact TPC International for more information and part identification.

TPC-SAO200

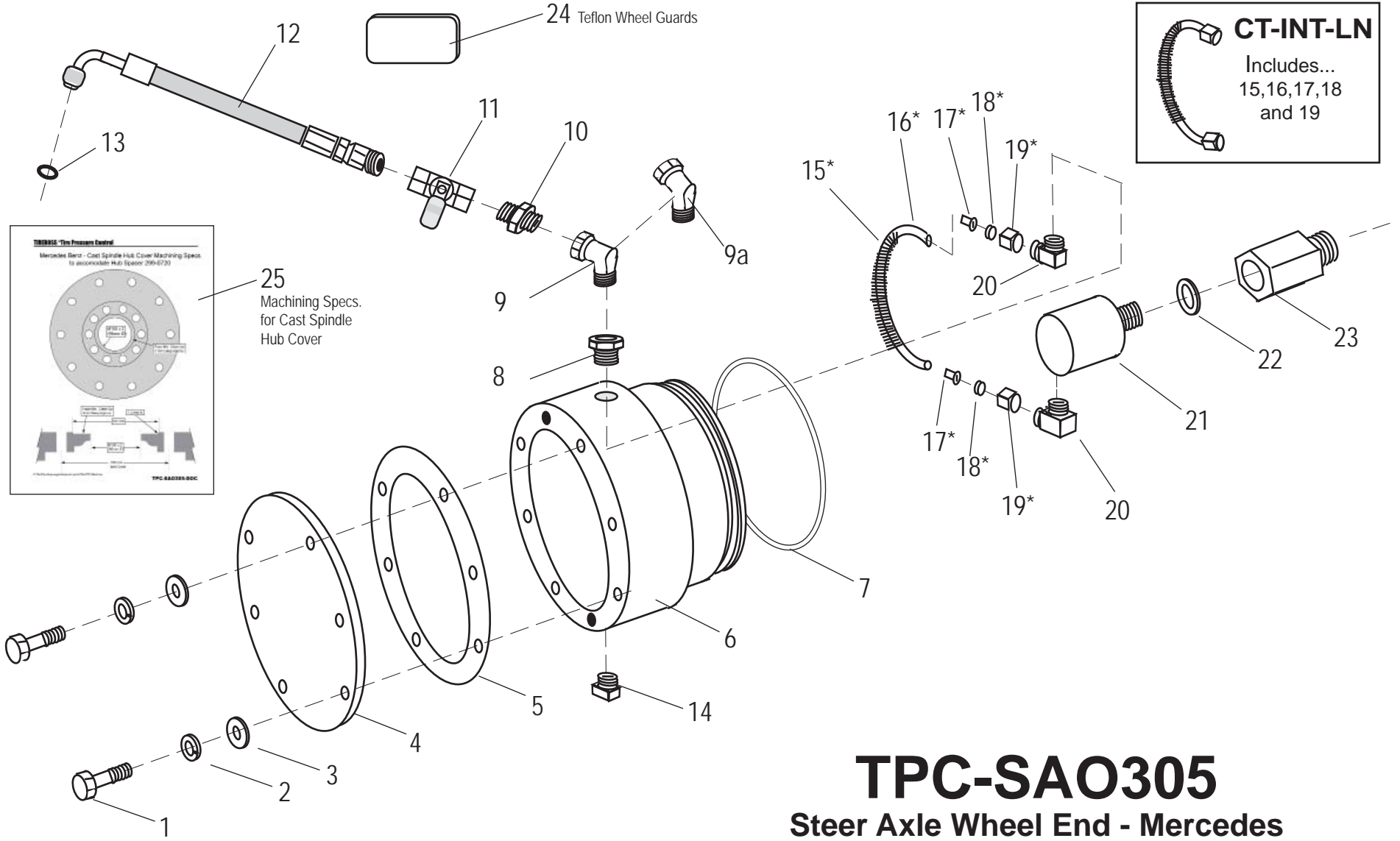
**Steer Axle Wheel End - Meritor/Rockwell - Fg941/FL941, Mack - FAW 14/Faw18,
Eaton - EFA12F4/FSA20F4 5 1/2" Dia. Hub Cap bolt circle**

PER WHL END

REF NUMBER	ITEM NUMBER	DESCRIPTION	NOTE	REQ QTY
1	5163NC	BOLT		6
2	516LW	LOCK WASHER		6
3	516FWSAE	FLAT WASHER		6
4	343-4009	HUB CAP		1
5	225-0950	HUB CAP FITTING LOCK TAB		1
6	225-1025	HUB CAP FITTING		1
7	225-2103	WHEEL END VALVE	①	
8	CT-008-HA	STEER AXLE WHEEL END HOSE		1
9	CT-VSS100	STEER AXLE WHEEL END HOSE SEAL	①	1
10	CT-INT-LN	INTERNAL AIR LINE ASSEMBLY		1
11	330-3009	HUB GASKET		2
12	299-3678	HUB SPACER (5 1/2" BOLT CIRCLE X 2" WIDTH)		1
13	F65	INSERT		2
14	225-4805	FERRULE		2
15	169C-5-4	FITTING		2
16	1102-208-210	ROTARY UNION	⑤	1
17	1105-070	ROTARY UNION SEALING WASHER	②	1
18	110	O-RING	③	1
19	311-605	INTERNAL AIR LINE GUARD		1
20	12040	INTERNAL AIR LINE	④	1
21	900729-2	FRAME CLAMP		1
22	2021-4-2	ADAPTER		1
23	351-6412	HUB SPACER MOUNTING DOWEL PIN		2
24	SBS516-12	SHOULDER BOLT 5/16 Thread x 1/2 Long Shoulder	⑥ ③ ⑦	2
25	SBS38-58	SHOULDER BOLT 3/8 Thread x 5/8 Long Shoulder	⑥ ③ ⑧	2
26	SSW-1	SHOULDER BOLT LOCK WIRE	③	1

NOTES

- ① INCLUDED WITH PART # CT-008-HA
- ② INCLUDED WITH PART # 1102-208-210
- ③ USED ONLY ON SPINDLES WITH CASTELLATED NUTS
- ④ INCLUDES #13, 14, 19 and 20
- ⑤ NON-GREASABLE ROTARY UNION
- ⑥ EITHER SBS516-12 OR SBS38-58 WILL BE USED DEPENDING UPON SIZE OF CASTELATED NUT
- ⑦ USED ONLY ON SPINDLES WITH SMALL CASTELATED NUTS (VISUAL IDENTIFICATION REQUIRED)
- ⑧ USED ONLY ON SPINDLES WITH LARGE CASTELATED NUTS (VISUAL IDENTIFICATION REQUIRED)



TPC-SAO305

Steer Axle Wheel End - Mercedes

Machining of Cast Spindle Hub Cover Required

TPC-SAO305

Steer Axle Wheel End - Mercedes (Machining of Cast Spindle Hub Cover Required)

PER WHL END

REF NUMBER	ITEM NUMBER	DESCRIPTION	NOTE	REQ QTY
1	200-0620SS	M6 x 20 SS Metric HEX BOLT		6
2	200-0006SS	M6 SS LOCK WASHER		6
3	14FWSS	1/4 SS FLAT WASHER		6
4	299-0721	Axle Hub SPACER CAP		1
5	296-0720	Hub SPACER GASKET		1
6	299-0720	Steer Axle HUB SPACER		1
7	16000-102x4MM	O-RING		1
8	225-1029	Steer Axle Hub CAP FITTING		1
9	244-1116	-4 NPSM Swivel x 1/4 Male Pipe 90 Adaptor		1
9a	244-1124	-4 NPSM Swivel x 1/4 Male Pipe 45 Adaptor		1
10	225-1022	1/4 Steel Nipple		1
11	225-2105	Modified Steer Axle BALL VALVE		1
12	CT-001-HA	Wheel End HOSE Super Single		1
13	CT-VSS100	STEER AXLE WHEEL END HOSE SEAL	①	1
14	47200	1/8 PTF RELIEF VALVE		1
15	311-605	INTERNAL AIR LINE GUARD		1
16	12040	INTERNAL AIR LINE		1
17	F65	INSERT		2
18	225-4805	FERRULE		2
19	661-5	5/16 COMPRESSION NUT		2
	CT-INT-LN	INTERNAL AIR LINE ASSEMBLY (Includes # 14, 15, 16, 17 & 18)		1
20	169C-5-4	FITTING		2
21	1102-208-210G	SHORT ROTARY UNION with OUTER SEAL		1
22	1105-070	ROTARY UNION GASKET	②	1
23	275-5858	SPINDLE EXTENTION		
24	CT-AWG-TF	TEFLON WHEEL GUARD with instructions		
25	TPC-SAO305-DOC	Hub Cover MACHINING SPECS		

- NOTES**
- ① INCLUDED WITH PART # CT-001-HA
 - ② INCLUDED WITH PART # 1102-208-210G

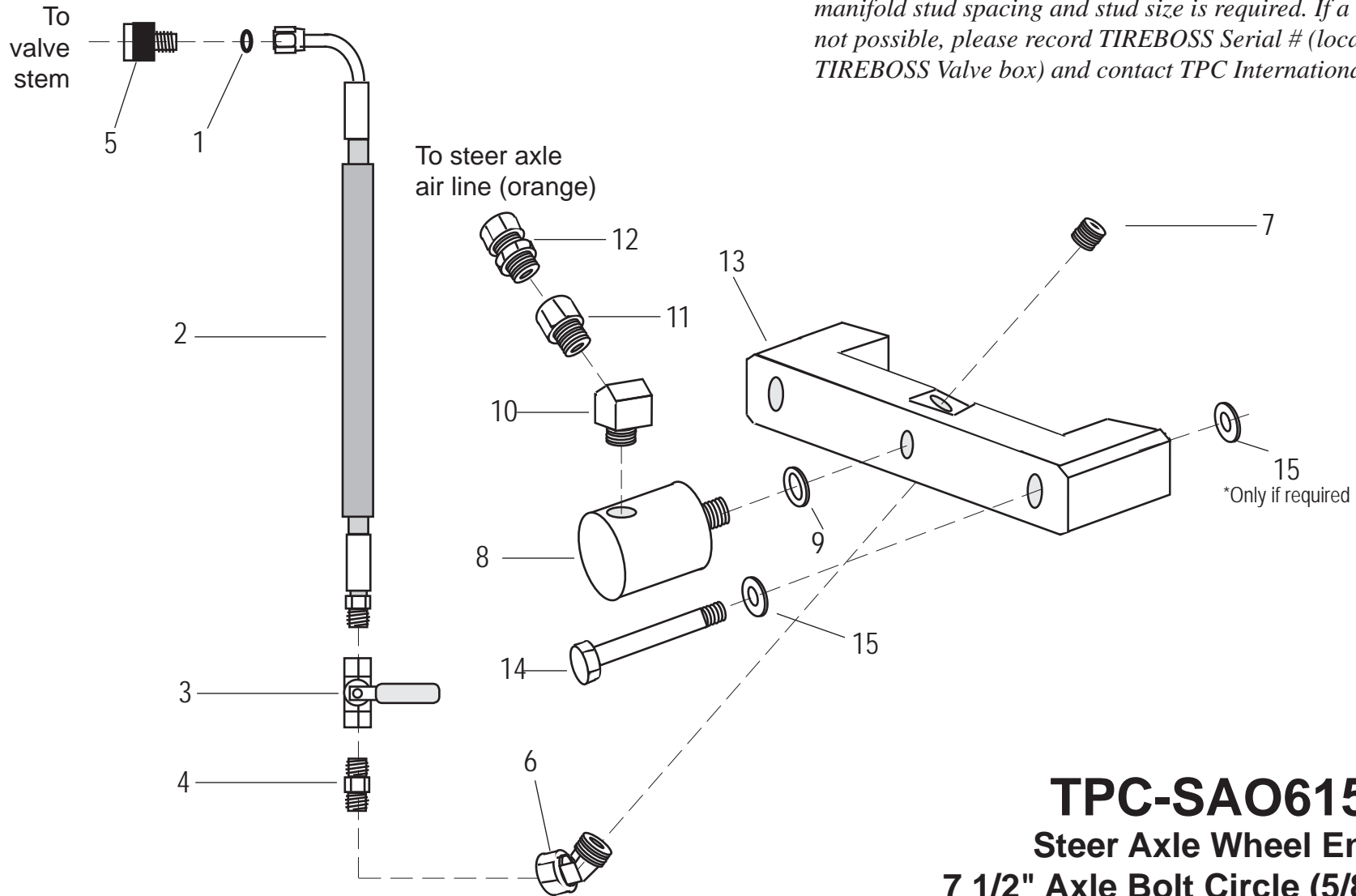
TPC-SAO436

Steer Axle Wheel End - 13" Bolt Circle (1/2 Studs) - Axletech Model PSW826

REF NUMBER	ITEM NUMBER	DESCRIPTION	NOTE	PER WHL END
				REQ QTY
1	CT-VSS100	WHEEL END HOSE SEAL	③	1
2	CT-122-HA	WHEEL END HOSE INNER STRAIGHT (EXTRA LONG)	③	1
3	225-2103	WHEEL END VALVE	③	1
4	225-1022	WHEEL END VALVE NIPPLE	③	1
5	202-0600	VALVE STEM ADAPTER with Gasket		1
6	244-1124	-4 NPSM FEMALE SWIVEL x 1/4 MALE NPT 45		1
6a	244-1126	3/8 FEMALE SWIVEL x 1/4 MALE NPT 45 (Used only with WEV'S)	①	1
7	247-003	1/4 PIPE PLUG		1
8	1102-208-210G	ROTARY UNION (SHORT)		1
9	1105-070	SEALING WASHER	②	1
10	124-B	BRASS ELBOW 45o		1
11	120-CB	BELL ADAPTER		1
12	1468-10-6	COMPRESSION FITTING		1
13	299-2918	MANIFOLD		1
14	12312NCG8	1/2" x 3 1/2" NC Grade 8 BOLT		2
15	12FWG8	1/2" Grade 8 FLAT WASHER		2

- NOTES**
- ① Only required when using Wheel End Valves
 - ② INCLUDED WITH PART # 1102-208-210G
 - ③ Items # 1,2,3 and 4 available as an assembly - Part # CT-H22-IN

Note: To determine the correct replacement parts, a measurement of manifold stud spacing and stud size is required. If a measurement is not possible, please record TIREBOSS Serial # (located inside the TIREBOSS Valve box) and contact TPC International.



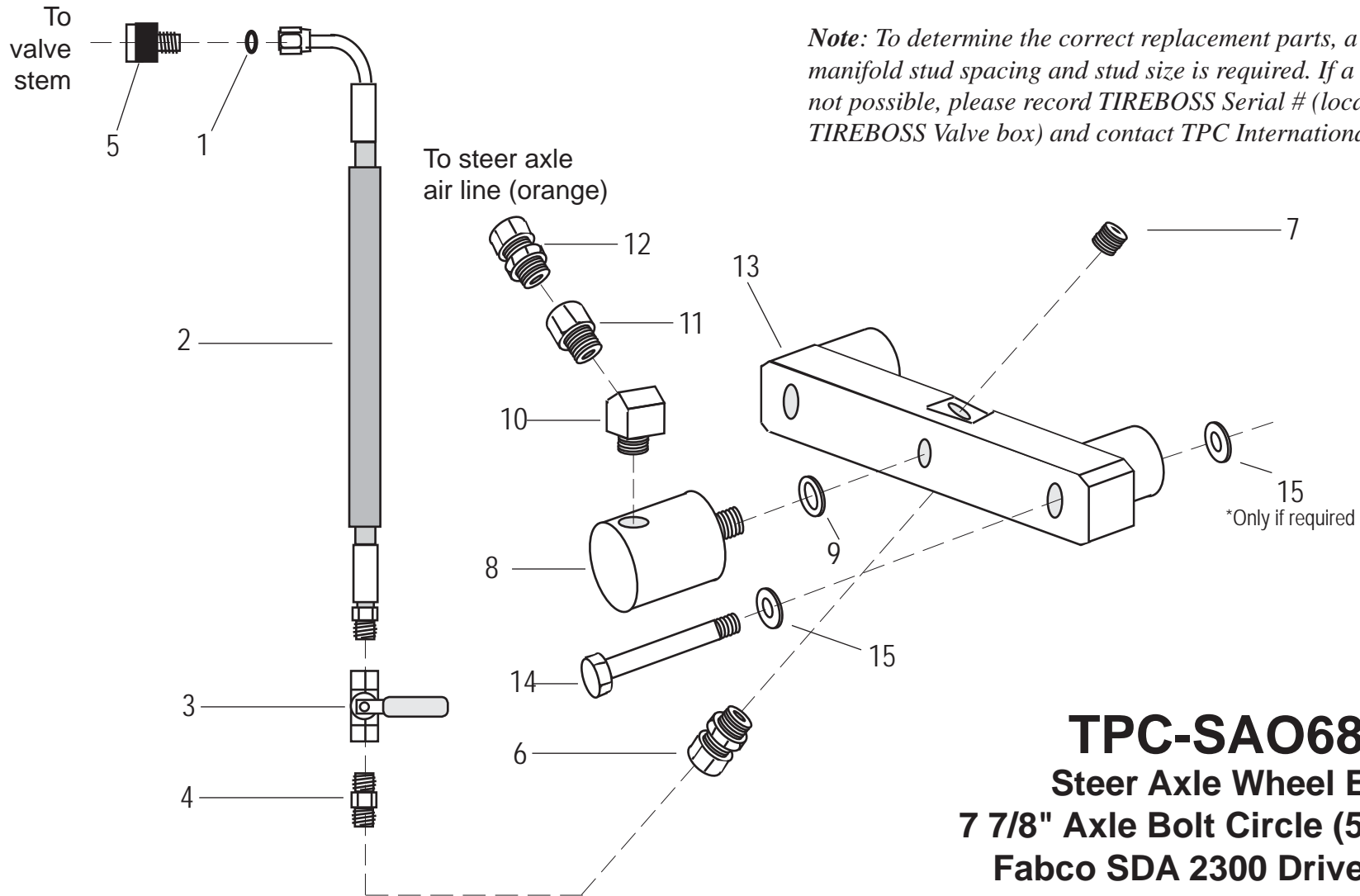
TPC-SA0615
Steer Axle Wheel End
7 1/2" Axle Bolt Circle (5/8Studs)
Meritor M X 23160 220

TPC-SAO615

Steer Axle Wheel End - 7 1/2" Bolt Circle (5/8 Studs) - Meritor MX 23160 220

REF NUMBER	ITEM NUMBER	DESCRIPTION	NOTE	PER WHL END
				REQ QTY
1	CT-VSS100	WHEEL END HOSE SEAL	①	1
2	CT-001-HA	WHEEL END HOSE SUPER SINGLE	③	1
3	225-2103	WHEEL END VALVE	③	1
4	225-1022	WHEEL END VALVE NIPPLE	③	1
5	202-0600	VALVE STEM ADAPTER		1
6	244-1124	-4 NPSM SWIVEL x 1/4 MALE NPT 45		1
7	247-003	1/4 PIPE PLUG		1
8	1102-208-210G	ROTARY UNION (SHORT)		1
9	1105-070	SEALING WASHER	②	1
10	124-B	BRASS ELBOW 45o		1
11	120-CB	BELL ADAPTER		1
12	1468-10-6	COMPRESSION FITTING		1
13	299-2900	MANIFOLD		1
14	58334NCG8	BOLT		2
15	58FWG8	FLAT WASHER		4

- NOTES**
- ① INCLUDED WITH PART #'s CT-001-HA
 - ② INCLUDED WITH PART # 1102-208-210
 - ③ Items # 2,3 and 4 available as an assembly - Part # CT-HOS-90



Note: To determine the correct replacement parts, a measurement of manifold stud spacing and stud size is required. If a measurement is not possible, please record TIREBOSS Serial # (located inside the TIREBOSS Valve box) and contact TPC International.

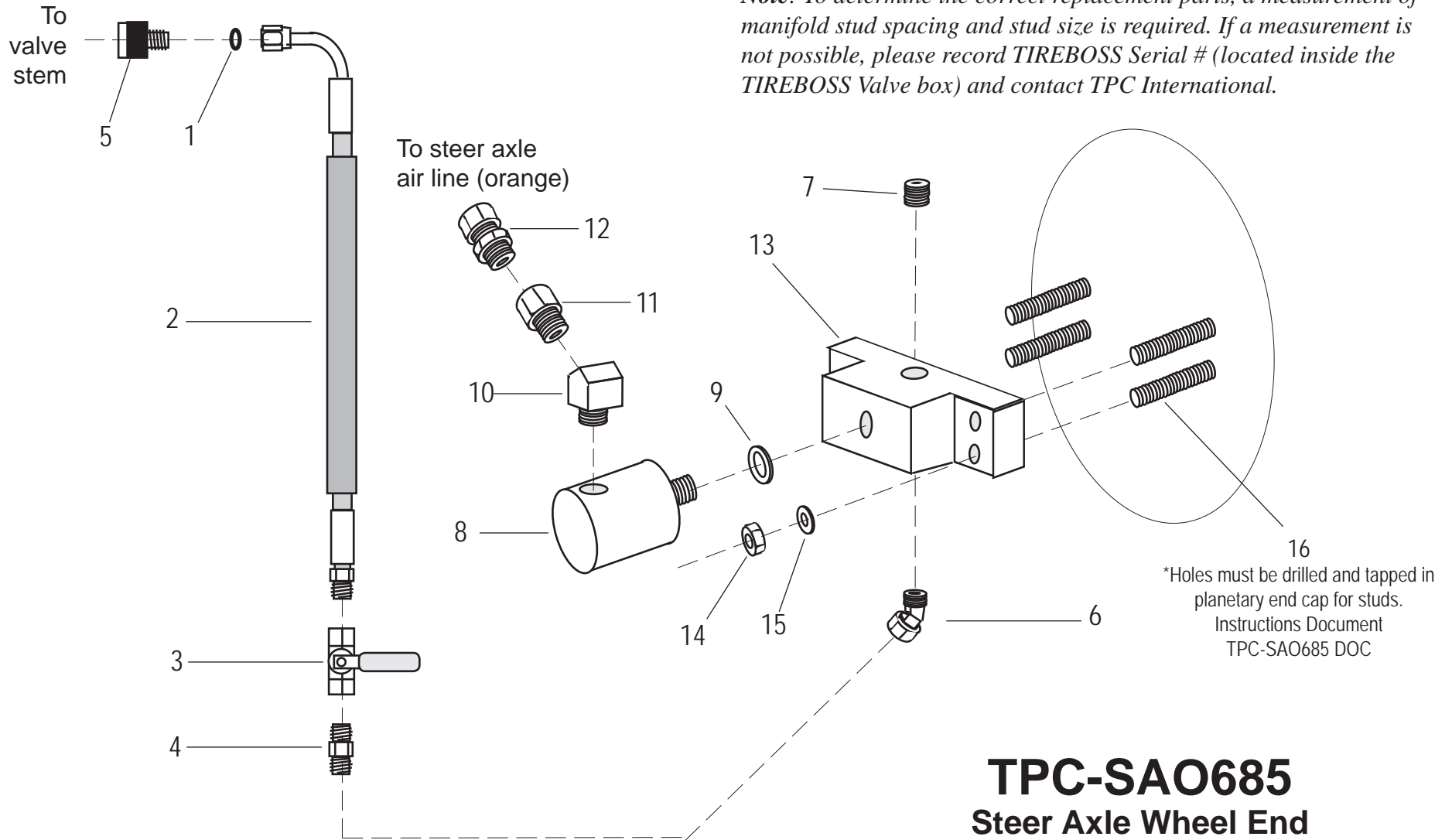
TPC-SAO680

Steer Axle Wheel End - 7 7/8" Bolt Circle (5/8 Studs) - Fabco SDA 2300 Driven Axle

REF NUMBER	ITEM NUMBER	DESCRIPTION	NOTE	PER WHL END
				REQ QTY
1	CT-VSS100	WHEEL END HOSE SEAL	①	1
2	CT-001-HA	WHEEL END HOSE SUPER SINGLE	③	1
3	225-2103	WHEEL END VALVE	③	1
4	225-1022	WHEEL END VALVE NIPPLE	③	1
5	200-0600	VALVE STEM ADAPTER		1
6	225-1120	1/4 NPSM SWIVEL x 1/4 MALE NPT		1
7	247-003	1/4 PIPE PLUG		1
8	1102-208-210	ROTARY UNION (SHORT)		1
9	1105-070	SEALING WASHER	②	1
10	124-B	BRASS ELBOW 45o		1
11	120-CB	BELL ADAPTER		1
12	1468-10-6	COMPRESSION FITTING		1
13	299-2885	MANIFOLD		1
14	58334NCG8	BOLT		2
15	58FWG8	FLAT WASHER		4

- NOTES**
- ① INCLUDED WITH PART #'s CT-001-HA
 - ② INCLUDED WITH PART # 1102-208-210
 - ③ Items # 2,3 and 4 available as an assembly - Part # CT-HOS-90

Note: To determine the correct replacement parts, a measurement of manifold stud spacing and stud size is required. If a measurement is not possible, please record TIREBOSS Serial # (located inside the TIREBOSS Valve box) and contact TPC International.



TPC-SAO685 Steer Axle Wheel End Sisu Planetary Steer FS2P-28-G 28MT

TPC-SAO685
Steer Axle Wheel End - SISU Planetary Steer - FS2P-28-G 28MT

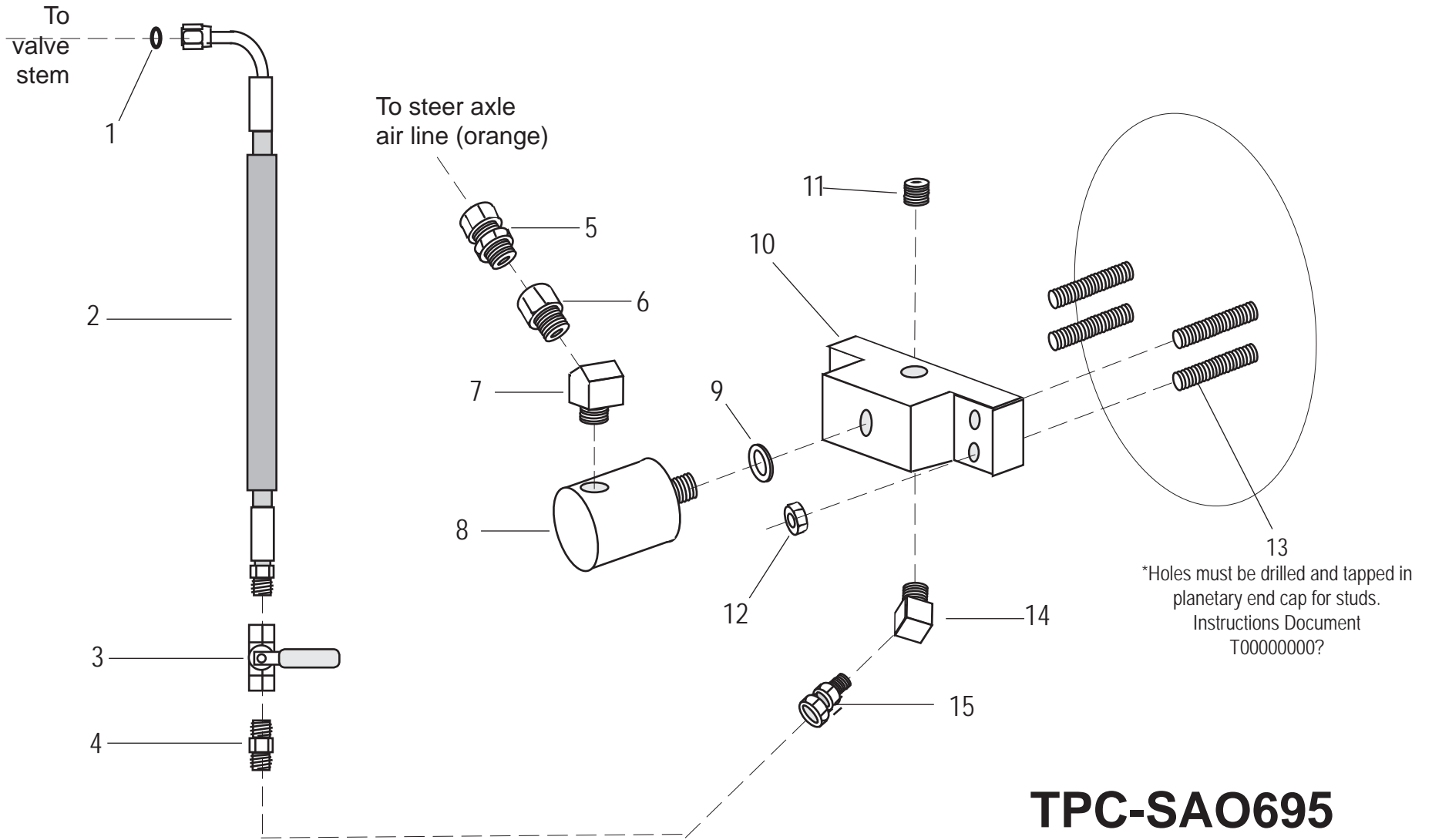
REF NUMBER	ITEM NUMBER	DESCRIPTION	NOTE	PER WHL END
				REQ QTY
1	CT-VSS100	WHEEL END HOSE SEAL	①	1
2	CT-001-HA	WHEEL END HOSE SUPER SINGLE	③	1
3	225-2103	WHEEL END VALVE	③	1
4	225-1022	WHEEL END VALVE NIPPLE	③	1
5	200-0600	VALVE STEM ADAPTER		1
6	244-1124	45o SWIVEL FITTING		1
7	247-003	1/4 PIPE PLUG		1
8	1102-208-210	ROTARY UNION (SHORT)		1
9	1105-070	SEALING WASHER	②	1
10	124-B	BRASS ELBOW 45o		1
11	120-CB	BELL ADAPTER		1
12	1468-10-6	COMPRESSION FITTING		1
13	299-2600	MANIFOLD		1
14	516NCLNG8	LOCK NUT		4
15	516FWSS	STAINLESS STEEL WASHER		4
16	5161NCS	STUD		4

- NOTES**
- ① INCLUDED WITH PART #'s CT-001-HA
 - ② INCLUDED WITH PART # 1102-208-210
 - ③ Items # 2,3 and 4 available as an assembly - Part # CT-HOS-90

TPC-SAO690
Steer Axle Wheel End - Clark Planetary - 16.5" Bolt Circle Manifold

REF NUMBER	ITEM NUMBER	DESCRIPTION	NOTE	PER WHL END
				REQ QTY
1	CT-VSS100	WHEEL END HOSE SEAL	①	1
2	CT-001-HA	WHEEL END HOSE SUPER SINGLE	③	1
3	225-2103	WHEEL END VALVE	③	1
4	225-1022	WHEEL END VALVE NIPPLE	③	1
5	200-0600	VALVE STEM ADAPTER		1
6	244-1124	45o SWIVEL FITTING		1
7	247-003	1/4 PIPE PLUG		1
8	1102-208-210	ROTARY UNION (SHORT)		1
9	1105-070	SEALING WASHER	②	1
10	124-B	BRASS ELBOW 45o		1
11	120-CB	BELL ADAPTER		1
12	1468-10-6	COMPRESSION FITTING		1
13	299-2042	MANIFOLD 16.5" Bolt Circle		1
14	9165NCG8	BOLT		2
15	916FWG8	FLAT WASHER		2

- NOTES**
- ① INCLUDED WITH PART #'s CT-001-HA
 - ② INCLUDED WITH PART # 1102-208-210
 - ③ Items # 2,3 and 4 available as an assembly - Part # CT-HOS-90

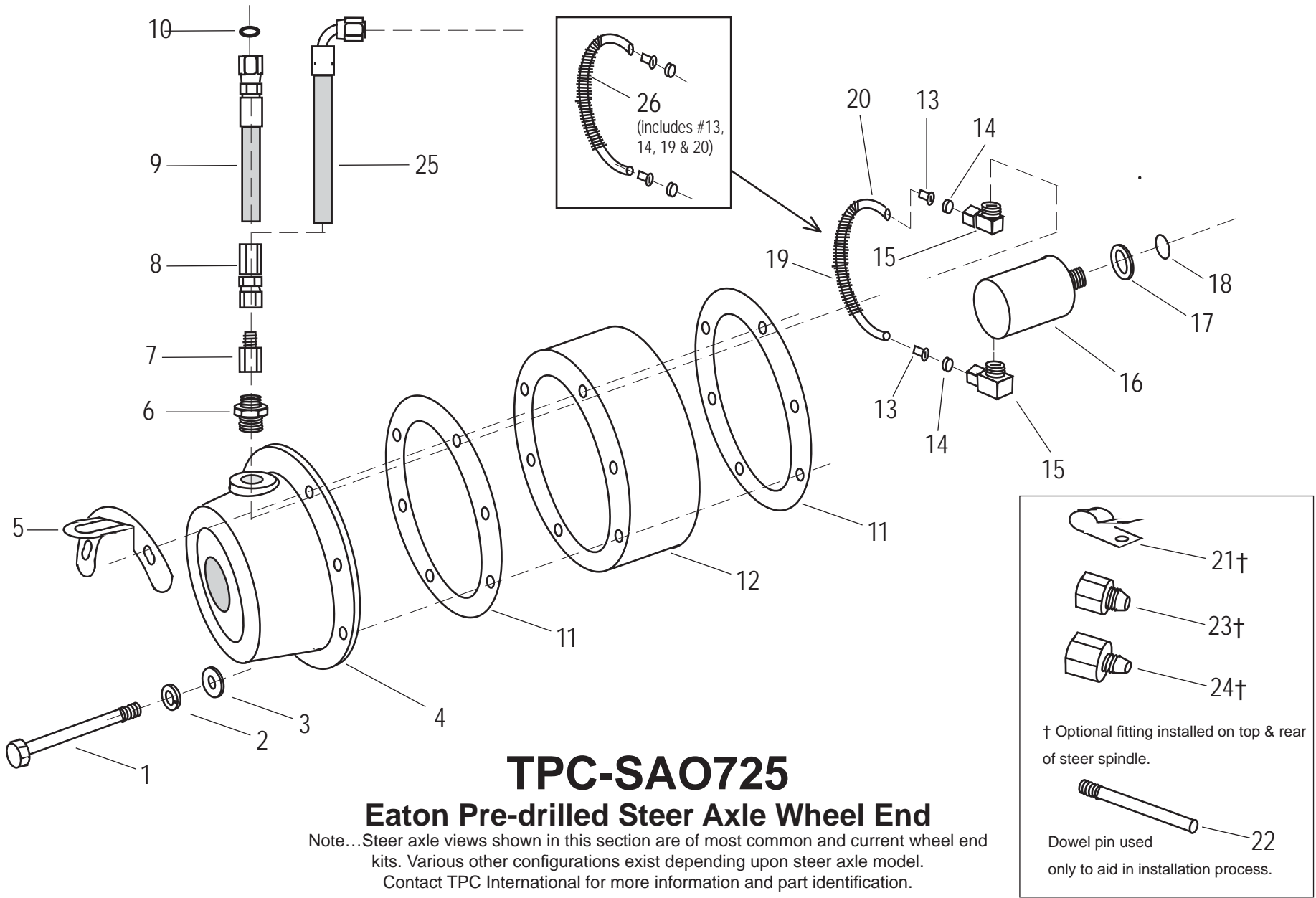


TPC-SA0695 Steer Axle Wheel End Volvo 6 x 6

**TPC-SAO695
Steer Axle Wheel End - Volvo 6 x 6**

REF NUMBER	ITEM NUMBER	DESCRIPTION	NOTE	PER WHL END
				REQ QTY
1	CT-VSS100	WHEEL END HOSE SEAL	①	1
2	CT-001-HA	WHEEL END HOSE SUPER SINGLE	③	1
3	225-2105	MODIFIED STEER AXLE BALL VALVE	③	1
4	225-1022	1/4 STEEL NIPPLE	③	1
5	1468-10-6	COMPRESSION FITTING		1
6	120-CB	BELL ADAPTER		1
7	124-C	BRASS ELBOW 45o		1
8	1102-208-210	ROTARY UNION (SHORT)		1
9	1105-070	SEALING WASHER	②	1
10	299-2600	MANIFOLD		1
11	247-003	1/4 PIPE PLUG		1
12	200-0008	M8 LOCK NUT		4
13	261-6029	M8 X 25MM STUD		4
14	124-B	BRASS ELBOW 45o		1
15	225-1120	1/4 NPSM SWIVEL X 1/4 MALE NPT		1

- NOTES**
- ① INCLUDED WITH PART #'s CT-001-HA
 - ② INCLUDED WITH PART # 1102-208-210
 - ③ Items # 2,3 and 4 available as an assembly - Part # CT-HOS-90

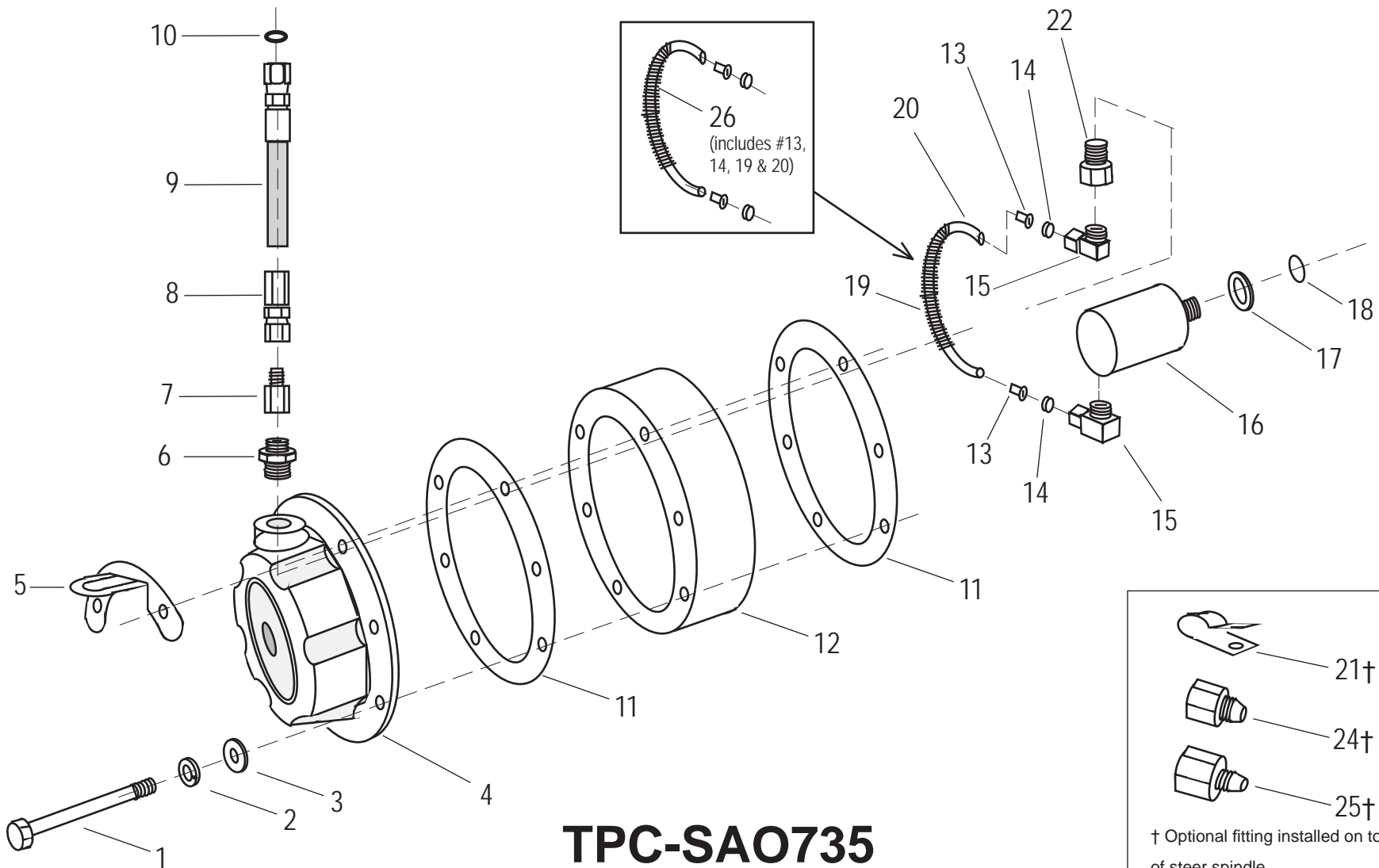


**TPC-SAO725
Eaton Predrilled Steer Axle Wheel End**

PER WHL END

REF NUMBER	ITEM NUMBER	DESCRIPTION	NOTE	REQ QTY
1	5163NC	BOLT		6
2	516LW	LOCK WASHER		6
3	516FWSAE	FLAT WASHER		6
4	343-4009	HUB CAP		1
5	225-0950	HUB CAP FITTING LOCK TAB		1
6	225-1025	HUB CAP FITTING		1
7	244-3746	STEER AXLE HOSE ADAPTER		1
8	124704-604	SWIVEL FITTING	❶	2
9	CT-004-HA	STEER AXLE WHEEL END HOSE	❷	1
10	CT-VSS100	STEER AXLE WHEEL END HOSE SEAL	❸	1
11	330-3009	HUB GASKET		2
12	299-3679	HUB SPACER (2 3/16" x 5 1/2" bolt circle)		1
13	F65	INSERT		2
14	225-4805	FERRULE		2
15	169C-5-4	FITTING		2
16	1102-208-210M	ROTARY UNION - Eaton Predrilled Spindles (9/16 NF Spindle thread)	❹	1
17	266-1775	ROTARY UNION SEALING WASHER	❺	1
18	110	O-RING	❻	1
19	311-605	INTERNAL AIR LINE GUARD		1
20	12040	INTERNAL AIR LINE	❼	1
21	900729-2	FRAME CLAMP		3
22	351-6412	HUB SPACER MOUNTING DOWEL PIN		2
23	264-3735	STEEL ADAPTOR (optional) 4 JIC Male x 6 JIC Female		1
24	200-3564	BRASS FITTING (optional) 1/4 Male SAE x 3/8 Female SAE		1
25	CT-009-HA	STEER AXLE WHEEL END HOSE 90o		1
26	CT-INT-LN	Assembled Internal Airline (includes # 13, 14, 19 & 20)		1

- NOTES**
- ❶ INCLUDED WITH PART # CT-004-HA
 - ❷ INCLUDED WITH PART # 1102-208-210
 - ❸ NON-GREASABLE ROTARY UNION
 - ❹ USED ONLY ON SPINDLES WITH CASTELLATED NUTS
 - ❺ CUT TO LENGTH - IF REQUIRED



TPC-SA0735

Eaton Pre-drilled Steer Axle Wheel End

Note...Steer axle views shown in this section are of most common and current wheel end kits. Various other configurations exist depending upon steer axle model. Contact TPC International for more information and part identification.

† Optional fitting installed on top & rear of steer spindle.

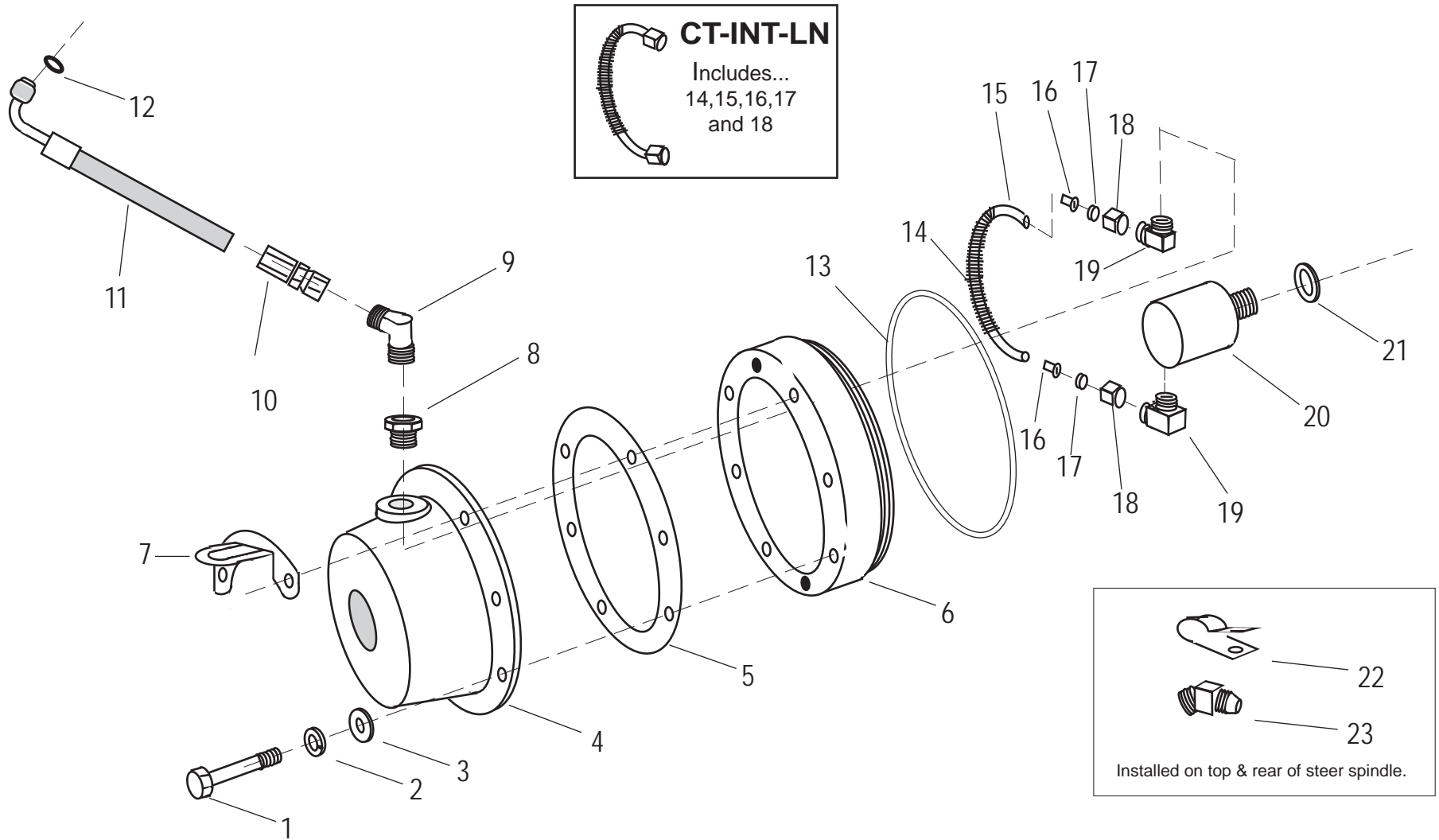
Dowel pin used only to aid in installation process.

**TPC-SAO735
Eaton Predrilled Steer Axle Wheel End**

PER WHL END

REF NUMBER	ITEM NUMBER	DESCRIPTION	NOTE	REQ QTY
1	516212NC	BOLT		6
2	516LW	LOCK WASHER		6
3	516FWSAE	FLAT WASHER		6
4	243-4249	HUB CAP		1
5	225-0945	HUB CAP FITTING LOCK TAB		1
6	225-1025	HUB CAP FITTING		1
7	244-3746	STEER AXLE HOSE ADAPTER		1
8	124704-604	SWIVEL FITTING	❶	1
9	CT-009-HA	STEER AXLE WHEEL END HOSE	❷	1
10	CT-VSS100	STEER AXLE WHEEL END HOSE SEAL	❶	1
11	330-3009	HUB GASKET		2
12	299-3590	HUB SPACER (1 1/2" x 5 1/2" Bolt Circle)		1
13	F65	INSERT		2
14	225-4805	FERRULE		2
15	169C-5-4	FITTING		2
16	1102-208-210M	ROTARY UNION - Modified for Eaton	❸	1
17	266-1775	ROTARY UNION SEALING WASHER	❷	1
18	110	O-RING	❸	1
19	311-605	INTERNAL AIR LINE GUARD		1
20	12040	INTERNAL AIR LINE	❹	1
21	900729-2	FRAME CLAMP		3
22	120-BB	ADAPTER 1/4 Male x 1/4 Female Pipe		1
23	351-6412	HUB SPACER MOUNTING DOWEL PIN		2
24	264-3735	STEEL ADAPTOR (optional) 4 JIC Male x 6 JIC Female		1
25	200-3564	BRASS FITTING (optional) 1/4 Male SAE x 3/8 Female SAE		1
26	CT-INT-LN	Assembled Internal Airline (includes # 13, 14, 19 & 20)		1

- NOTES**
- ❶ INCLUDED WITH PART # CT-004-HA
 - ❷ INCLUDED WITH PART # 1102-208-210
 - ❸ NON-GREASABLE ROTARY UNION
 - ❹ USED ONLY ON SPINDLES WITH CASTELLATED NUTS
 - ❺ CUT TO LENGTH - IF REQUIRED

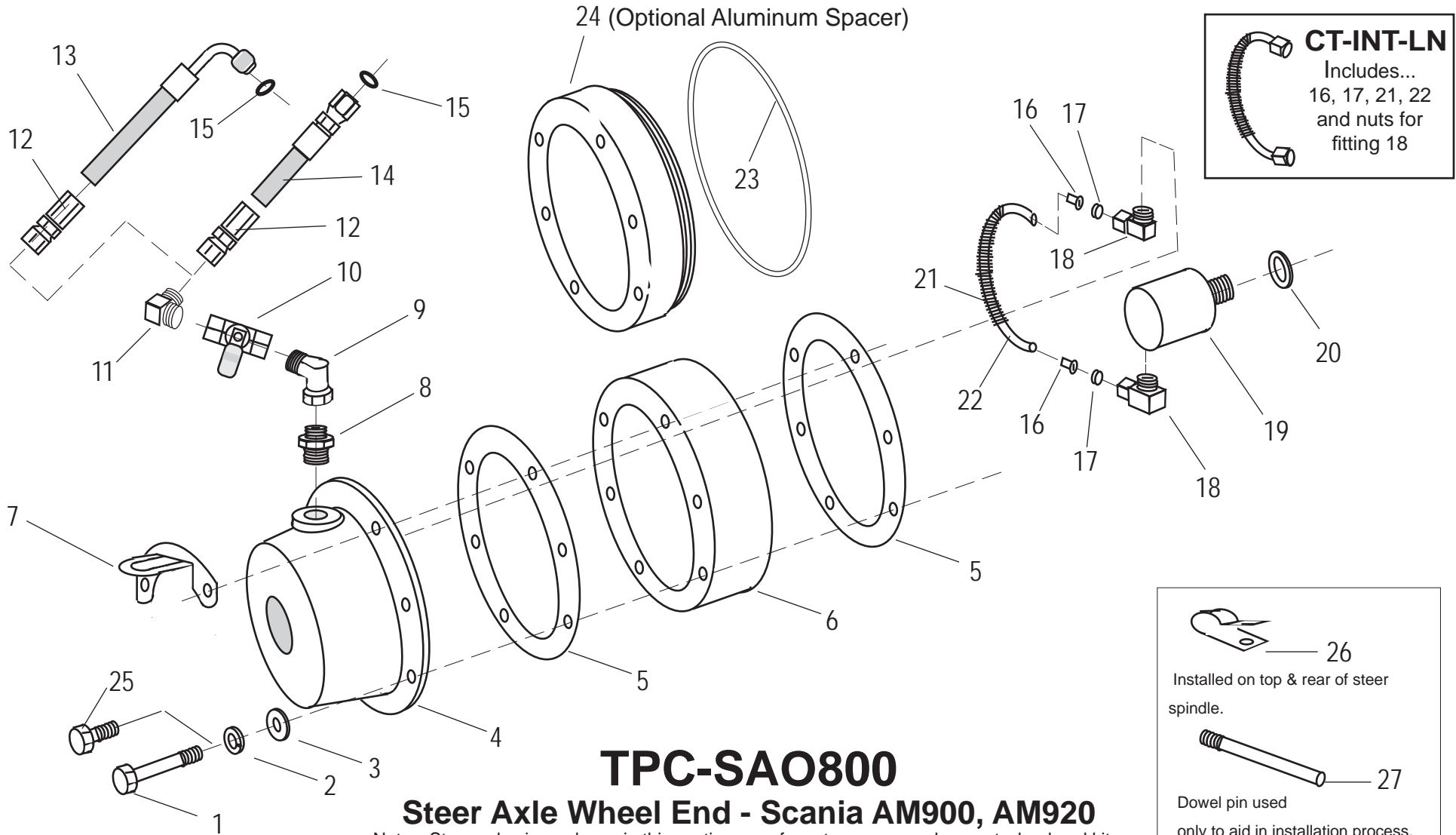


TPC-SAO745 Steer Axle Wheel End - Mack FXL23

**TPC-SAO745 - Mack FXL23
Steer Axle Wheel End**

REF NUMBER	ITEM NUMBER	DESCRIPTION	NOTE	PER WHL END
				REQ QTY
1	200-0825	BOLT		6
2	516LW	LOCK WASHER		6
3	516FWSAE	FLAT WASHER		6
4	203-4009	PLASTIC HUB CAP		1
5	330-3009	HUB GASKET		1
6	299-0725	HUB SPACER (THREADED)		1
7	225-0950	HUB CAP FITTING LOCK TAB		1
8	225-1029	MODIFIED HUB CAP FITTING		1
9	49-4-4	90o BRASS ADAPTER		1
10	124704-664	SWIVEL FITTING	①	1
11	CT-009-HA	STEER AXLE WHEEL END HOSE	③	1
12	CT-VSS100	STEER AXLE WHEEL END HOSE SEAL	①	1
13	204-0130	O-RING		1
14	311-605	INTERNAL AIR LINE GUARD		1
15	12040	INTERNAL AIR LINE		1
16	F65	INSERT		2
17	225-4805	FERRULE		2
18	661-5	5/16 COMPRESSION NUT		2
	CT-INT-LN	INTERNAL AIR LINE ASSEMBLY (Includes # 16, 17, 18,19 & 20)		1
19	169C-5-4	FITTING		2
20	1102-208-210M	ROTARY UNION	④	1
21	266-1775	ROTARY UNION SEALING WASHER	②	1
22	900729-2	FRAME CLAMP		1
23	254-3744	ADAPTER - 4 x 1/4 NPT 45o		1
24	CT-INT-LN	Assembled Internal Airline (includes # 14, 15, 16, 17 & 18)		1

- NOTES**
- ① INCLUDED WITH PART # CT-009-HA
 - ② INCLUDED WITH PART # 1102-208-210M
 - ③ CUT TO LENGTH - IF REQUIRED
 - ④ NON-GREASABLE ROTARY UNION

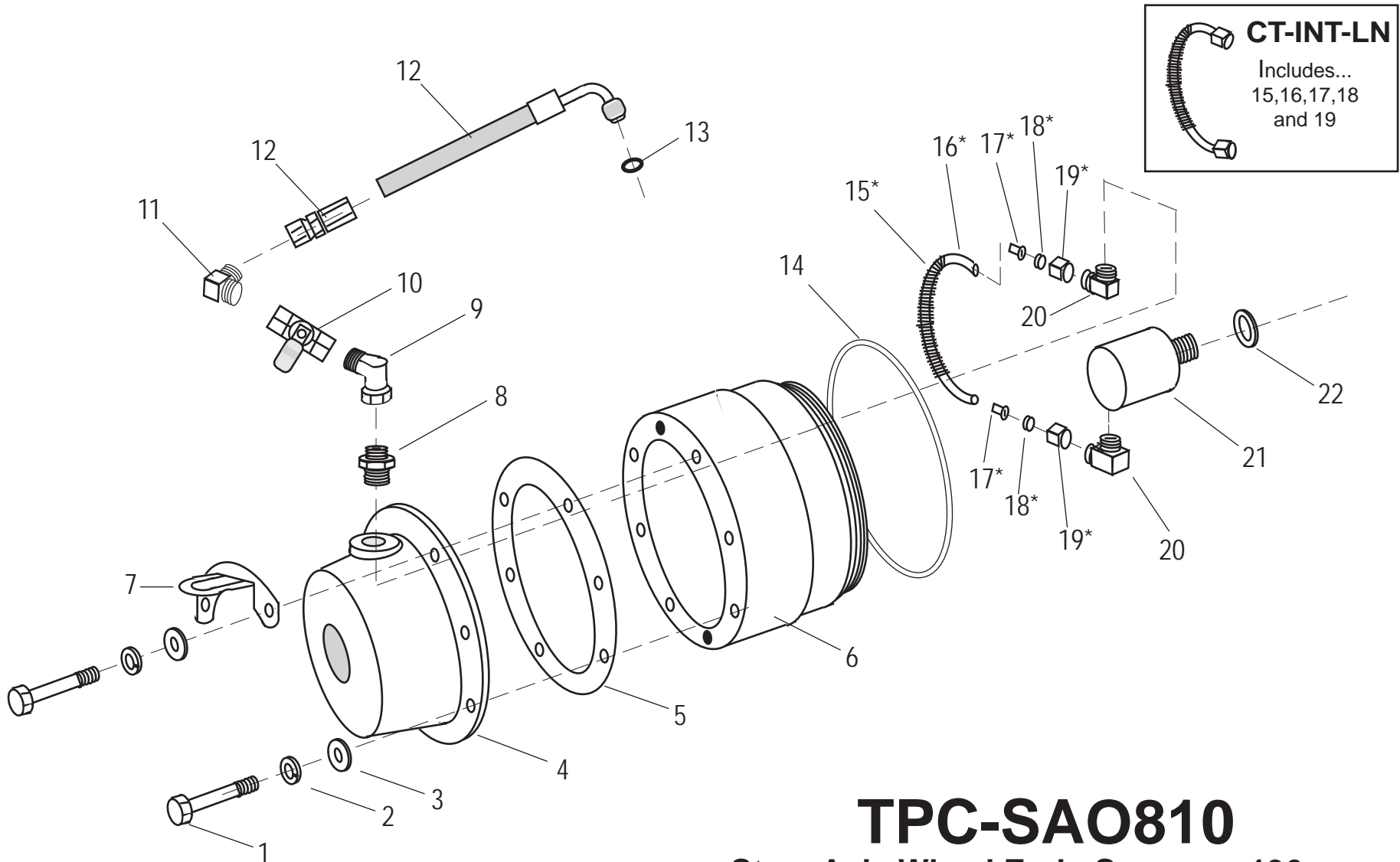


**TPC-SAO800
Steer Axle Wheel End - Scania AM900, AM920**

PER WHL END

REF NUMBER	ITEM NUMBER	DESCRIPTION	NOTE	REQ QTY
1	200-0860	BOLT M8 x 60mm G5		6
2	516LW	LOCK WASHER		6
3	200-0800	M8 FLAT WASHER		6
4	203-4009	PLASTIC HUB CAP	③	1
5	330-3009	HUB GASKET		2
6	299-3590	HUB SPACER		1
7	225-0950	HUB CAP FITTING LOCK TAB		1
8	225-1025	HUB CAP FITTING		1
9	244-1116	SWIVEL FITTING -4NPSM x 1/4 Male Pipe 90o		1
10	225-2105	BALL VALVE		1
11	49-4-4	BRASS ADAPTOR 90o		1
12	124704-604	SWIVEL FITTING	①	1
13	CT-009-HA	STEER AXLE WHEEL END HOSE 90o		1
14	CT-004-HA	STEER AXLE WHEEL END HOSE	④	1
15	CT-VSS100	STEER AXLE WHEEL END HOSE SEAL	①	1
16	F65	INSERT		1
17	225-4805	FERRULE		2
18	169C-5-4	FITTING		2
19	1102-208-210	ROTARY UNION	⑤	2
20	1105-070	ROTARY UNION SEALING WASHER	②	1
21	311-605	INTERNAL AIR LINE GUARD		1
22	12040	INTERNAL AIR LINE	④	1
23	16000-245	O - Ring		1
24	299-3400	Aluminum Hub Spacer		1
25	200-0825	M8 x 25mm BOLT (Used with Aluminum Spacer)		1
26	900729-2	FRAME CLAMP		1
27	351-6412	HUB SPACER MOUNTING DOWEL PIN		2

- NOTES**
- ① INCLUDED WITH PART # CT-004-HA
 - ② INCLUDED WITH PART # 1102-208-210
 - ③ WHEN HUB CAP IS USED ON GREASE HUB APPLICATION MUST ALSO ORDER 1 of #259-6096
 - ④ CUT TO LENGTH - IF REQUIRED
 - ⑤ NON-GREASABLE ROTARY UNION



TPC-SA0810 Steer Axle Wheel End - Screw on 136mm

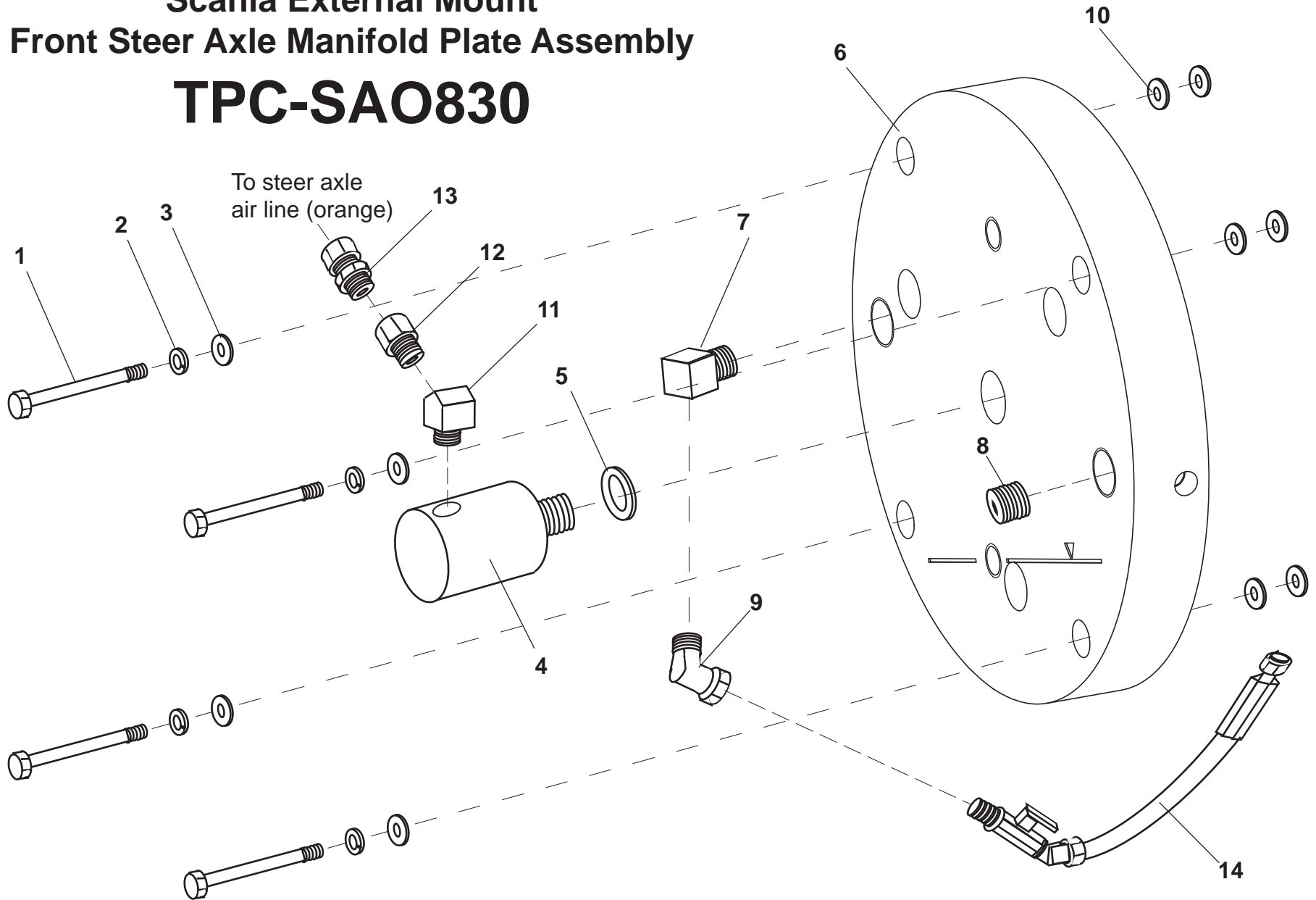
**TPC-SAO810
Steer Axle Wheel End - Screw on 136mm**

REF NUMBER	ITEM NUMBER	DESCRIPTION	NOTE	PER WHL END
				REQ QTY
1	200-0825	BOLT		6
2	516LW	LOCK WASHER		6
3	200-0800	FLAT WASHER		6
4	203-4009	PLASTIC HUB CAP		1
5	330-3009	HUB CAP GASKET		1
6	299-3420	Screw on HUB SPACER (136mm)		1
7	225-0950	HUB CAP FITTING LOCK TAB		1
8	225-1025	Hub Cap FITTING		
9	244-1116	-4 NPSM Swivel x 1/4 Male Pipe 90 Adaptor		1
10	225-2105	Modofied Steer Axle BALL VALVE		1
11	49-4-4	-4 SAE* 1/4 MALE NPT 90 BRASS ADAPTOR		1
12	CT-009-HA	STEER AXLE WHEEL END HOSE	③	1
13	CT-VSS100	STEER AXLE WHEEL END HOSE SEAL	①	1
14		Use O-ring from truck (not supplied with this kit)		1
15	311-605	INTERNAL AIR LINE GUARD		1
16	12040	INTERNAL AIR LINE		1
17	F65	INSERT		2
18	225-4805	FERRULE		2
19	661-5	5/16 COMPRESSION NUT		2
	CT-INT-LN	INTERNAL AIR LINE ASSEMBLY (Includes # 14, 15, 16, 17 & 18)		1
20	169C-5-4	FITTING		2
21	1102-208-210G	SHORT ROTARY UNION with OUTER SEAL		1
22	1105-070	ROTARY UNION SEALING WASHER	②	1

- NOTES**
- ① INCLUDED WITH PART # CT-009-HA
 - ② INCLUDED WITH PART # 1102-208-210G
 - ③ CUT TO LENGTH - IF REQUIRED

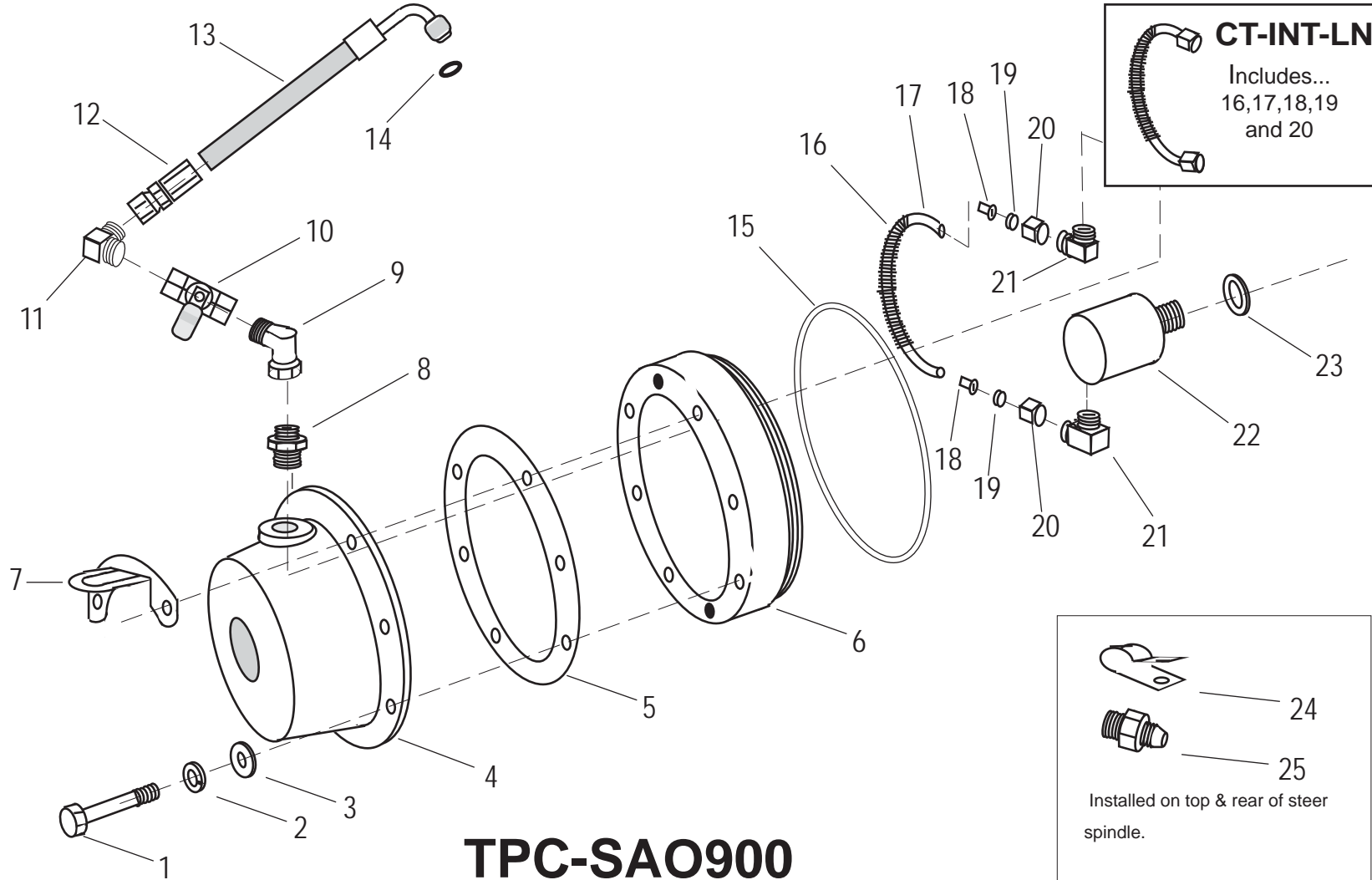
**Scania External Mount
Front Steer Axle Manifold Plate Assembly**

TPC-SA0830



Scania External Mount Front Steer Axle Manifold Plate Assembly TPC-SAO830

REF#	ITEM NUMBER	DESCRIPTION	Part of Kit #	PER WHL END	
				NOTE	REQ QTY
1	200-1060	M10 x 60mm 10.9 Metric Bolt	TPC-SAO830		4
2	200-1001	M10 LOCK WASHER	TPC-SAO830		4
3	200-0010	M10 FLAT WASHER	TPC-SAO830		4
4	1102-208-210G	ROTARY UNION (SHORT) with Outer Seal	TPC-SAO830		1
5	1105-070	ROTARY UNION COPPER WASHER	TPC-SAO830		1
6	299-0750	SCANIA PLANETARY MANIFOLD PLATE	TPC-SAO830		1
7	3400-4	1/4 x 90 BRASS STREET ELBOW	TPC-SAO830		1
8	247-003	1/4 COUNTER SUNK PIPE PLUG	TPC-SAO830		1
9	244-1124	- 4 NPSM SWIVEL x 1/4 MALE NPT 45	TPC-SAO830		1
10	FW8BLT38	3/8" GR8 "BLT" FLAT WASHERS	TPC-SAO830		8
11	124-B	1/4 x 45o BRASS STREET ELBOW	TPC-SAO830		1
12	120-CB	1/4Male x 3/8 Female NPT BELL ADAPTOR	TPC-SAO830		1
13	1468-10-6	5/8 BRASS Compression x 3/8 Male Pipe	TPC-SAO830		1
14	CT-HOS-IN-45NC	Inner Wheel End Hose w/45o Short Handle	TPC-SAO830		1



TPC-SAO90

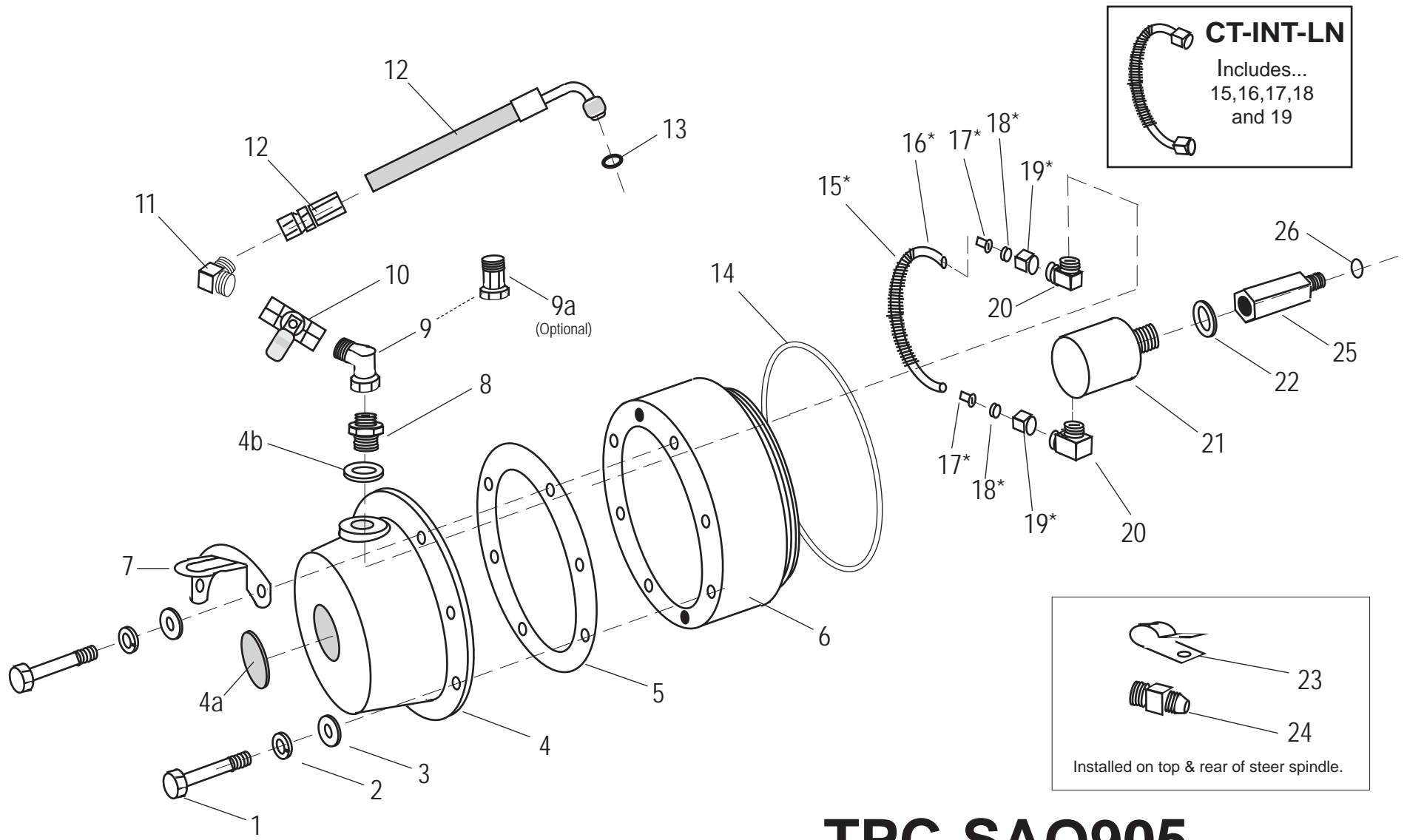
Steer Axle Wheel End - Volvo FATYPE90

Note...Steer axle views shown in this section are of most common and current wheel end kits. Various other configurations exist depending upon steer axle model. Contact TPC International for more information and part identification.

TPC-SAO900 - Volvo FATYPE90 Steer Axle Wheel End

REF NUMBER	ITEM NUMBER	DESCRIPTION	NOTE	PER WHL END
				REQ QTY
1	200-0825	BOLT		6
2	516LW	LOCK WASHER		6
3	516FWSAE	FLAT WASHER		6
4	203-4009	PLASTIC HUB CAP		1
5	330-3009	HUB GASKET		1
6	299-0727	HUB SPACER (THREADED)		1
7	225-0950	HUB CAP FITTING LOCK TAB		1
8	225-1029	HUB CAP FITTING		1
9	244-1116	SWIVEL FITTING -4NPSM x 1/4 Male Pipe 90o		2
10	225-2105	BALL VALVE		1
11	49-4-4	BRASS ADAPTOR 90o		1
12	124704-604	SWIVEL FITTING	❶	1
13	CT-009-HA	STEER AXLE WHEEL END HOSE	❸	1
14	CT-VSS100	STEER AXLE WHEEL END HOSE SEAL	❶	1
15	204-0130	O-RING		1
16	311-605	INTERNAL AIR LINE GUARD		1
17	12040	INTERNAL AIR LINE		1
18	F65	INSERT		2
19	225-4805	FERRULE		2
20	661-5	5/16 COMPRESSION NUT		2
	CT-INT-LN	INTERNAL AIR LINE ASSEMBLY (Includes # 16, 17, 18,19 & 20)		1
21	169C-5-4	FITTING		2
22	1102-208-210M	ROTARY UNION	❷	1
23	266-1775	ROTARY UNION SEALING WASHER	❸	1
24	900729-2	FRAME CLAMP		1
25	244-2404	ADAPTER - 4 x 1/4 NPT		1

- NOTES**
- ❶ INCLUDED WITH PART # CT-009-HA
 - ❷ INCLUDED WITH PART # 1102-208-210M
 - ❸ CUT TO LENGTH - IF REQUIRED
 - ❹ NON-GREASABLE ROTARY UNION



TPC-SA0905

Steer Axle Wheel End - Volvo

Screw-on Cap - 128mm Thread

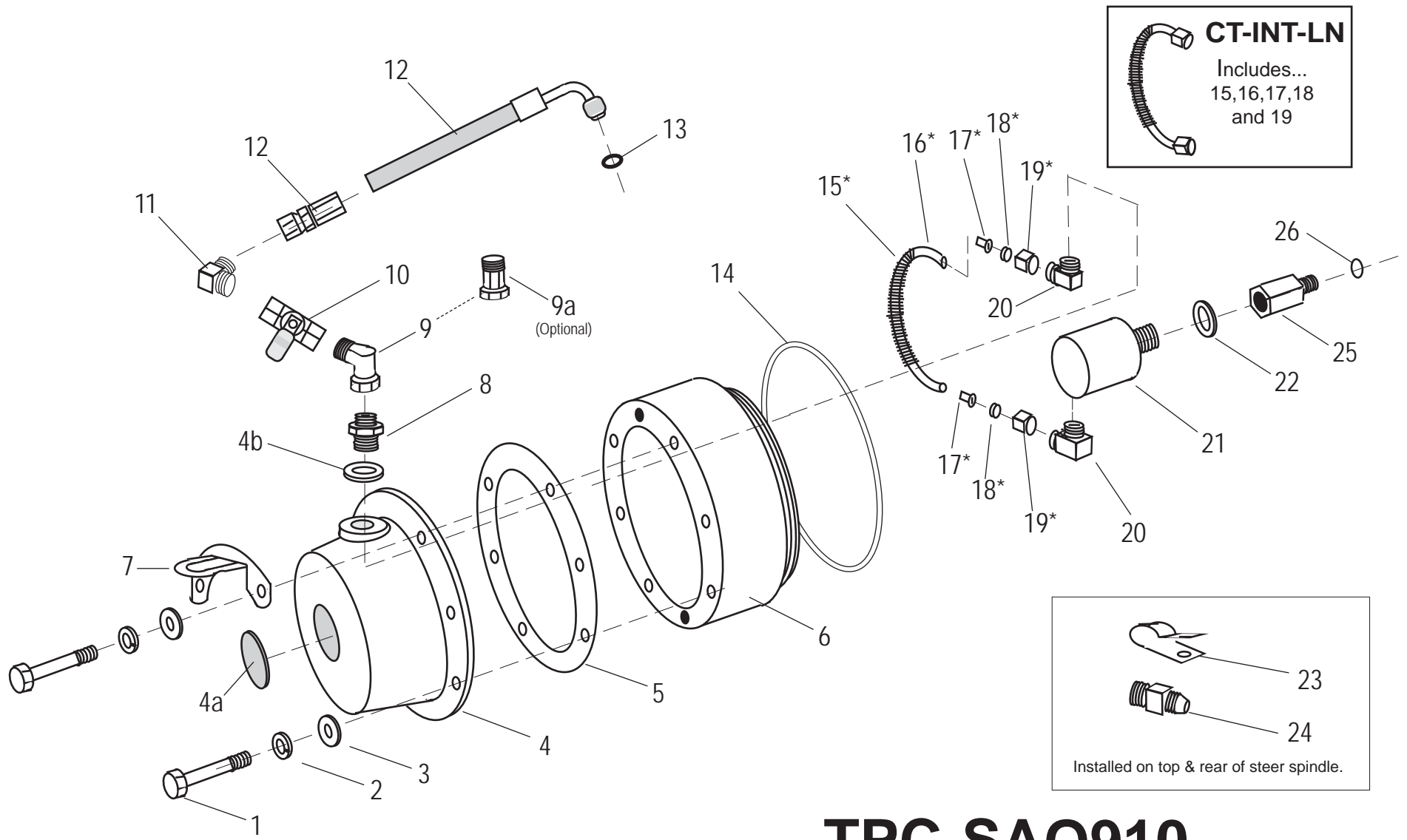
TPC-SAO905

Steer Axle Wheel End - Volvo Screw-on Cap - 128mm

PER WHL END

REF NUMBER	ITEM NUMBER	DESCRIPTION	NOTE	REQ QTY
1	200-0825	BOLT		6
2	516LW	LOCK WASHER		6
3	516FWSAE	FLAT WASHER		6
4	203-4009	PLASTIC HUB CAP		1
4a	203-4010	SKF HUBCAP SLASHGUARD PLUG		1
4b	225-1026W	Fitting Washer for SKF Cap		1
5	330-3009	HUB CAP GASKET		1
6	299-0727	Screw on HUB SPACER (128mm)		1
7	225-0950	HUB CAP FITTING LOCK TAB		1
8	225-1026	Hub Cap FITTING		
9	225-1100	-4 NPSM Swivel x 1/4 Male Pipe 90 Adaptor		1
9a	225-1102	-4 NPSM Swivel x 1/4 Male Pipe Adaptor (Optional)		1
10	225-2105	Modofied Steer Axle BALL VALVE		1
11	49-4-4	-4 SAE* 1/4 MALE NPT 90 BRASS ADAPTOR		1
12	CT-001-HA	STEER AXLE WHEEL END HOSE	③	1
13	CT-VSS100	STEER AXLE WHEEL END HOSE SEAL	①	1
14	16000-130x4mm	O-ring 130mm x 4mm		1
15	311-605	INTERNAL AIR LINE GUARD		1
16	12040	INTERNAL AIR LINE		1
17	F65	INSERT		2
18	225-4805	FERRULE		2
19	661-5	5/16 COMPRESSION NUT		2
	CT-INT-LN	INTERNAL AIR LINE ASSEMBLY (Includes # 14, 15, 16, 17 & 18)		1
20	169C-5-4	FITTING		2
21	1102-208-210G	SHORT ROTARY UNION with OUTER SEAL		1
22	1105-070	ROTARY UNION SEALING WASHER	②	1
23	900729-2	Frame Clamp		1
24	225-1022	1/4" Steel Nipple		1
25	CT-PSA-04	90mm Solid Axle Adaptor 5/8NF to 5/8NF		1
26	16000-114	O-ring 114 Nitrile 70D		1

- NOTES**
- ① INCLUDED WITH PART # CT-001-HA
 - ② INCLUDED WITH PART # 1102-208-210G
 - ③ CUT TO LENGTH - IF REQUIRED



TPC-SA0910

Steer Axle Wheel End - Volvo

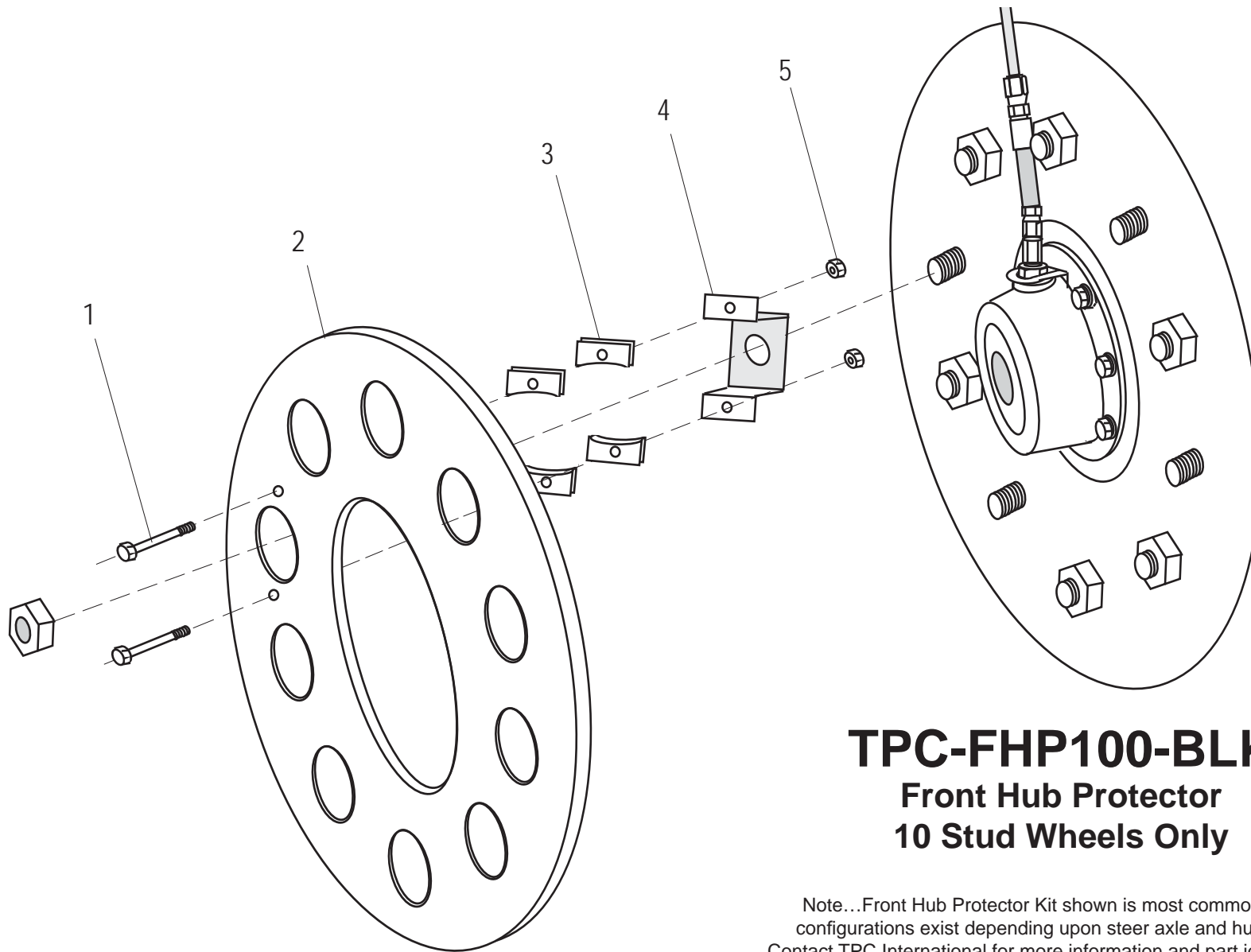
Screw-on Cap - 136mm Thread

TPC-SAO910

Steer Axle Wheel End - Volvo Screw-on Cap - 136mm

REF NUMBER	ITEM NUMBER	DESCRIPTION	PER WHL END	
			NOTE	REQ QTY
1	200-0825	BOLT		6
2	516LW	LOCK WASHER		6
3	516FWSAE	FLAT WASHER		6
4	203-4009	PLASTIC HUB CAP		1
4a	203-4010	SKF HUBCAP SLASHGUARD PLUG		1
4b	225-1026W	Fitting Washer for SKF Cap		1
5	330-3009	HUB CAP GASKET		1
6	299-3420	Screw on HUB SPACER (136mm x 2)		1
7	225-0950	HUB CAP FITTING LOCK TAB		1
8	225-1026	Hub Cap FITTING		
9	225-1100	-4 NPSM Swivel x 1/4 Male Pipe 90 Adaptor		1
9a	225-1102	-4 NPSM Swivel x 1/4 Male Pipe Adaptor (Optional)		1
10	225-2105	Modofied Steer Axle BALL VALVE		1
11	49-4-4	-4 SAE* 1/4 MALE NPT 90 BRASS ADAPTOR		1
12	CT-001-HA	STEER AXLE WHEEL END HOSE	③	1
13	CT-VSS100	STEER AXLE WHEEL END HOSE SEAL	①	1
14	16000-251	O-ring 5 1/8"		1
14a	16000-253	O-ring 5 3/8" optional		1
15	311-605	INTERNAL AIR LINE GUARD		1
16	12040	INTERNAL AIR LINE		1
17	F65	INSERT		2
18	225-4805	FERRULE		2
19	661-5	5/16 COMPRESSION NUT		2
	CT-INT-LN	INTERNAL AIR LINE ASSEMBLY (Includes # 14, 15, 16, 17 & 18)		1
20	169C-5-4	FITTING		2
21	1102-208-210G	SHORT ROTARY UNION with OUTER SEAL		1
22	1105-070	ROTARY UNION SEALING WASHER	②	1
23	900729-2	Frame Clamp		1
24	225-1022	1/4" Steel Nipple		1
25	CT-PSA-03	38mm Solid Axle Adaptor 5/8NF to 5/8NF		1
26	16000-114	O-ring 114 Nitrile 70D		1

- NOTES**
- ① INCLUDED WITH PART # CT-001-HA
 - ② INCLUDED WITH PART # 1102-208-210G
 - ③ CUT TO LENGTH - IF REQUIRED



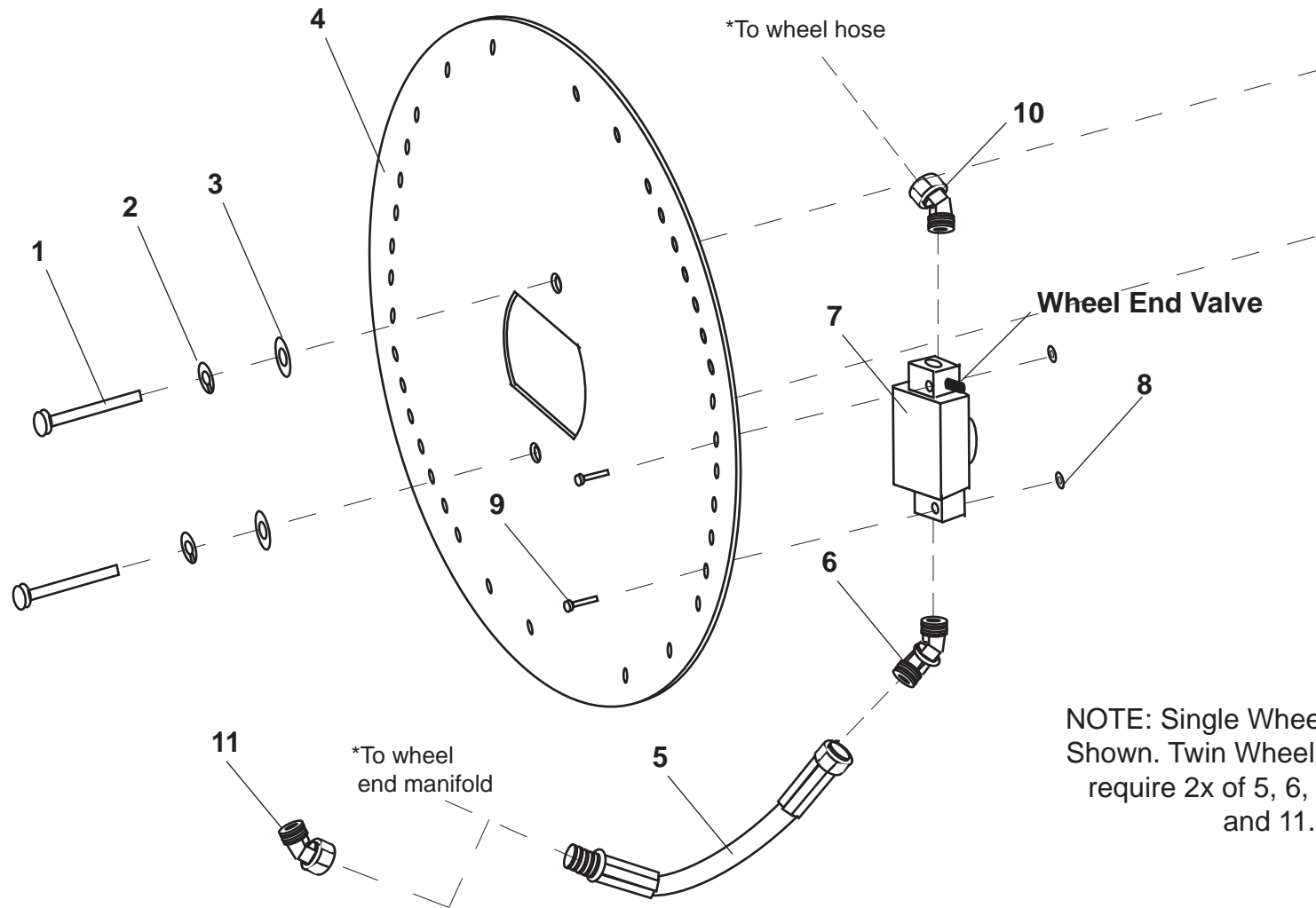
TPC-FHP100-BLK **Front Hub Protector** **10 Stud Wheels Only**

Note...Front Hub Protector Kit shown is most common. Other configurations exist depending upon steer axle and hub model. Contact TPC International for more information and part identification.

TPC-FHP100-BLK
Steer Front Hub Protector (10 Stud Wheels Only)

REF NUMBER	ITEM NUMBER	DESCRIPTION	NOTE	PER WHL END
				REQ QTY
1	298-2000	Stainless Steel Bolt		8
2	299-1040-B	Black Powder Coat Protective Wheel Disc		1
3	298-0001	Leg Spacers	❶	AS REQ
4	CT-214-LEG	Mounting Leg		4
5	516NCLN	5/16 NC Grade Locking Nut		8

❶ Number of Spacers required depends on axle and hub type



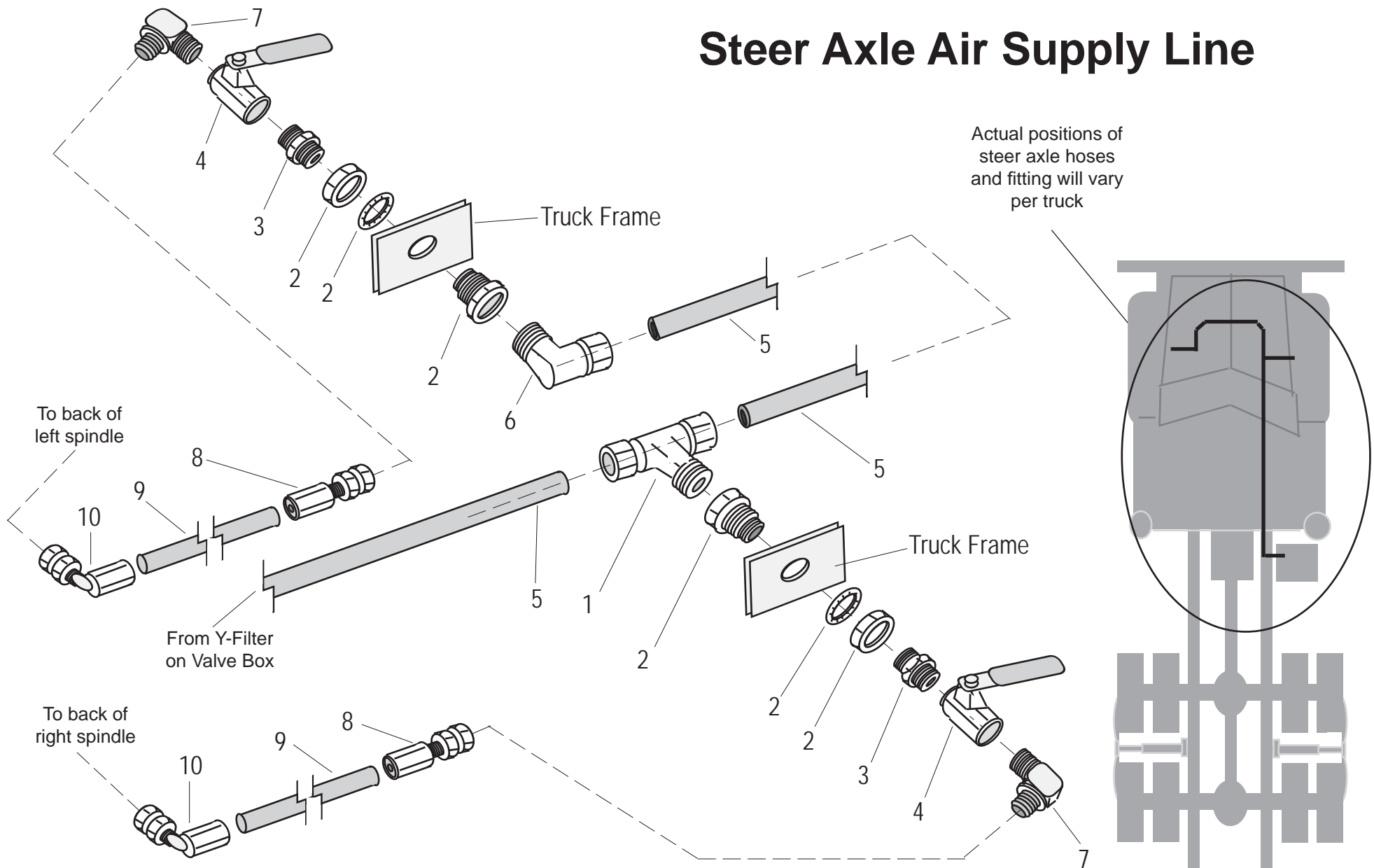
NOTE: Single Wheel Application Shown. Twin Wheel applications require 2x of 5, 6, 7, 8, 9, 10, and 11.

TPC-WEG100 and TPC-WEV100 Wheel End Guard and Wheel End Valve Assembly

TPC-WEG100 and TPC-WEV100
Wheel End Guard and Wheel End Valve Assembly

REF#	ITEM NUMBER	DESCRIPTION	Part of Kit #	NOTE	PER WHL END
					REQ QTY
1	38212NCSS	2.5" Stainless Bolt 3/8 NC	TPC-WEG100		2
2	38LW	3/8" Lock Washer	TPC-WEG100		2
3	38FWSAE	3/8" Flat Washer	TPC-WEG100		2
4	299-1095	Wheel End Guard	TPC-WEG100		1
5	CT-100-HA	WEV Hose 14"	TPC-WEV100		4
6	5365-6-6	#6 JIC x #6 Orb 45 Adapter	TPC-WEV100		2
7	299-2500	WEV Assembly - Heavy Spring - (18-22 psi)	TPC-WEV100		2
8	288-1024	10-24 Stainless Steel Lock Nut	TPC-WEV100		1
9	200-1610	10-24 x 11/4 Socket Cap Stainless	TPC-WEV100		2
10	9365-4-4	#4 Morb x 1/4" FNPS 45	TPC-WEV100		2
11	244-1124	-4 NPSM Female Swivel x 1/4 Male NPT 45	TPC-WEV100		1

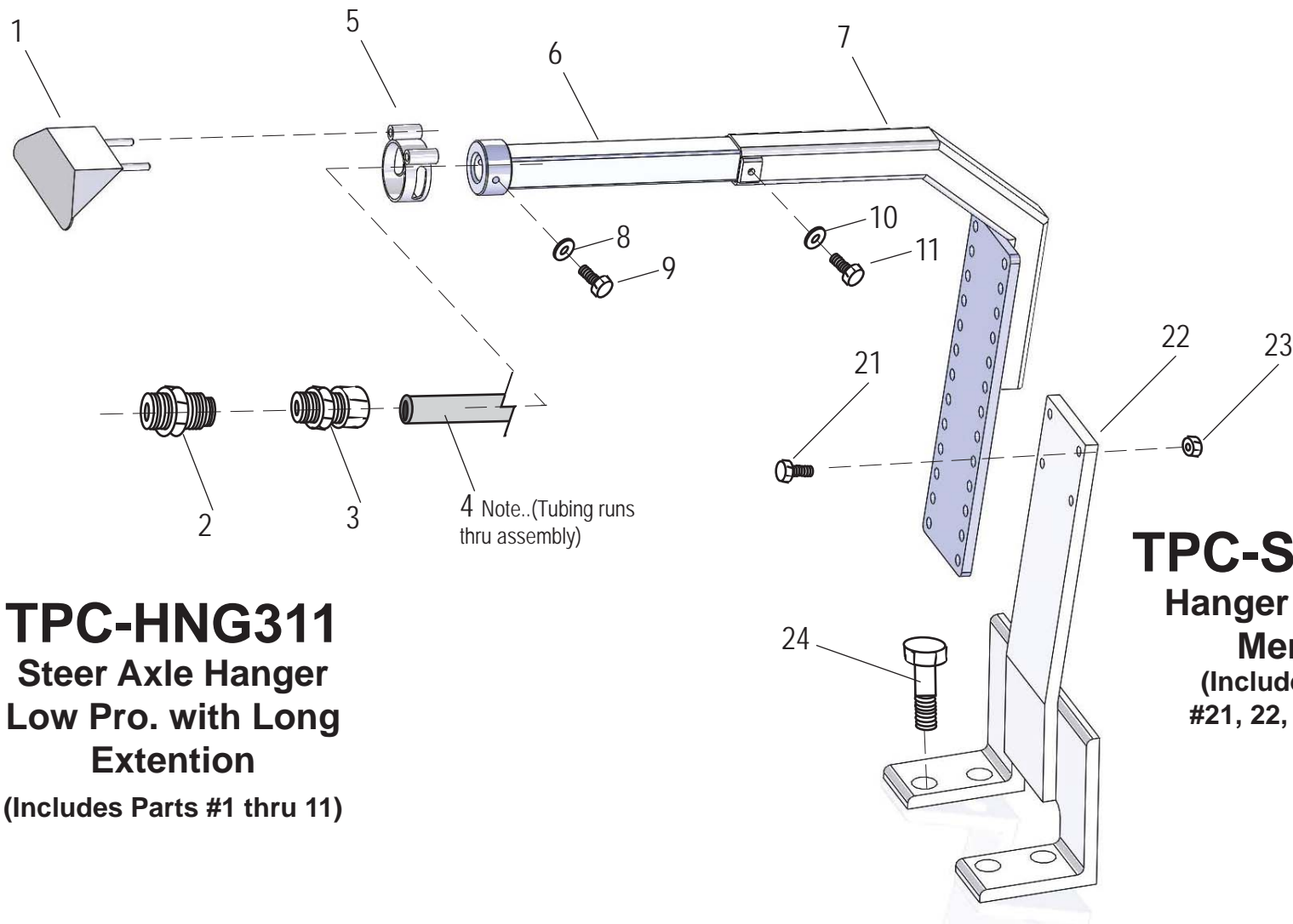
Steer Axle Air Supply Line



Steer Axle Air Supply

REF NUMBER	ITEM NUMBER	DESCRIPTION	NOTE	REQ QTY
1	1472-8-6	Compression Tee		1
2	11307	Frame Nipple Assembly		2
3	3325-6-4	Reducing Nipple		2
4	225-2103	Ball Valve		2
5	C68BK	Plastic Tubing		AS REQ
6	1469-8-6	Compression Elbow		1
7	49-4-4	Adaptor	❶	2
8	124704-604	Reuseable Fitting Straight	❷	2
9	2069-4	Hose (100R5-4)		AS REQ
10	124704-664	Reuseable Fitting with 90o	❸	2

- ❶ Optional Component -Straight adapter Part #48-4-4 depending on truck model
- ❷ Optional Component - 90o Reuseable Part # 124704-664 depending on truck model
- ❸ Optional Component - 45o Reuseable Part #124704-684 depending on spindle model



TPC-HNG311
Steer Axle Hanger
Low Pro. with Long
Extention
(Includes Parts #1 thru 11)

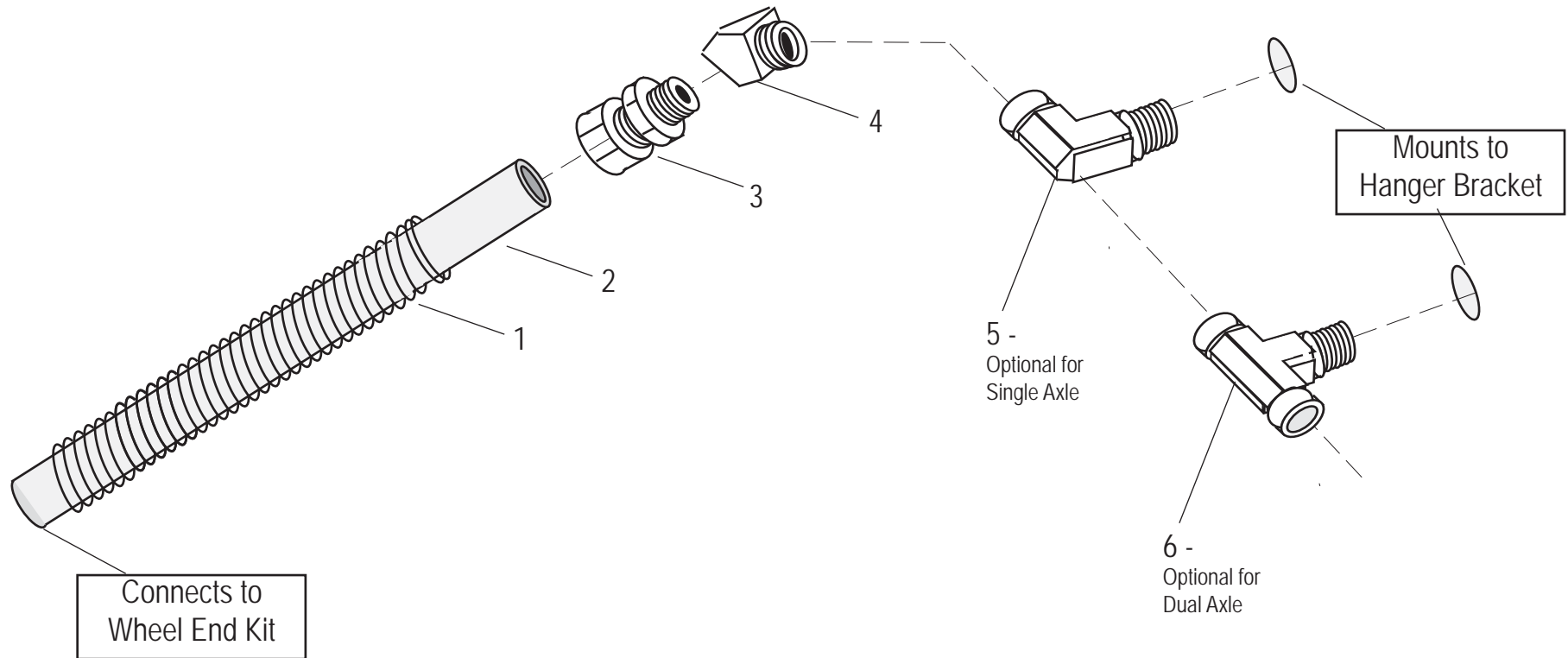
TPC-SAH210
Hanger Bracket
Meritor
(Includes Parts
#21, 22, 23, & 24)

TPC-HNG311 Steer Axle Hanger (1 kit per axle)

REF NUMBER	ITEM NUMBER	DESCRIPTION	NOTE	REQ QTY
1	265-2710	Hanger Guard		2
2	11307	Frame Nipple (Short)		3
3	1468-8-6	1/2 Compression x 3/8 NPT Male		4
4	C68BK	1/2 Plastic Tubing Black		2 x 10 foot
5	265-2712	Hanger Guard Retainer		2
6	255-6522	Steer Hanger Extention		2
7	255-6510	Steer Hanger Bracket (13" Plate)		2
8	200-0800	M8 Flat Washer		4
9	51612NCSS	5/16 x 1/2 NC Grade 5 Stainless Steel Bolt		4
10	516FW	5/16 Flat Washer		4
11	5161NC	5/16 x 1 NC Grade 5 Bolt		4

TPC-SAH210 Steer Axle Hanger Bracket (1 kit per axle)

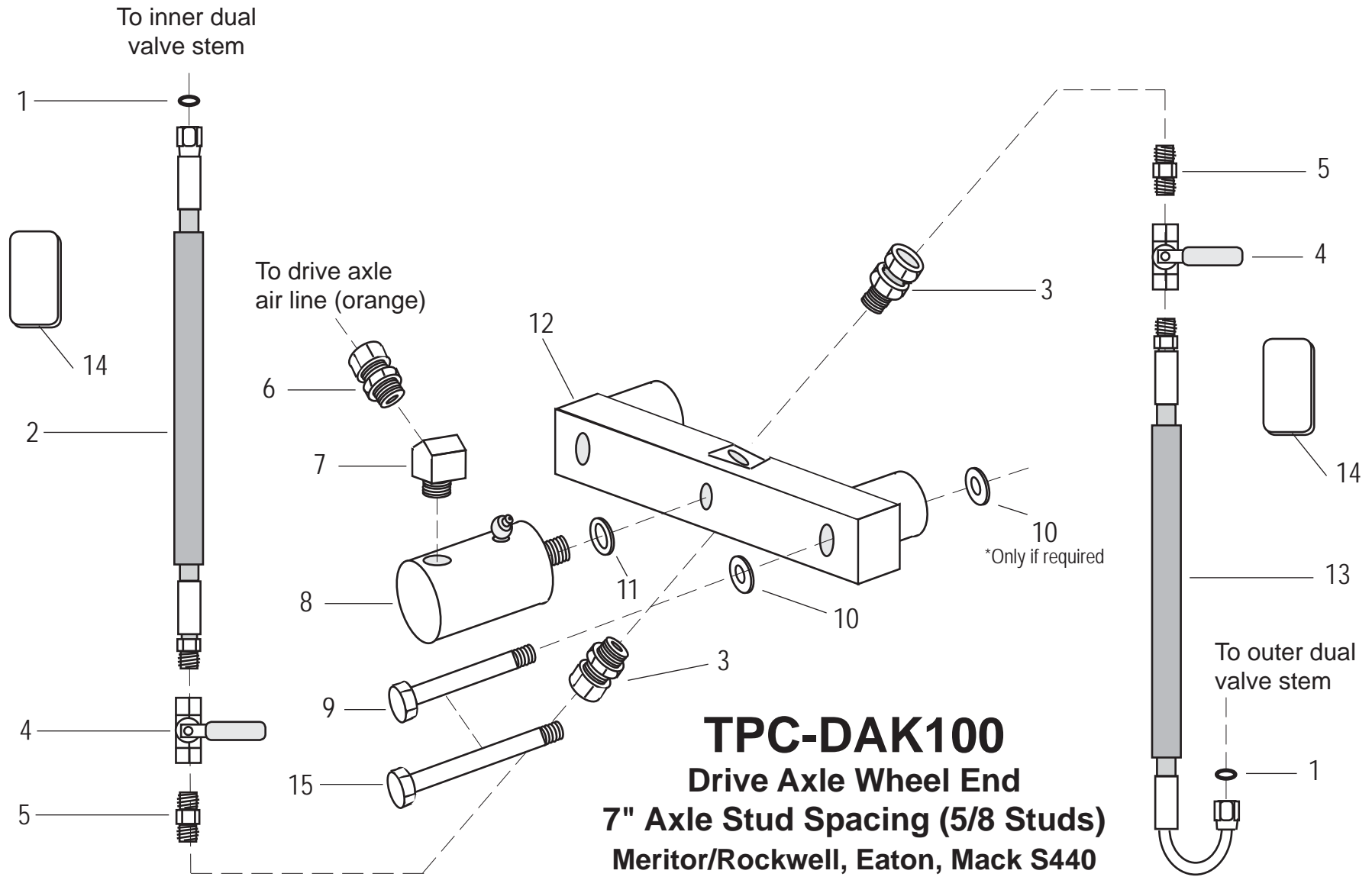
REF NUMBER	ITEM NUMBER	DESCRIPTION	NOTE	REQ QTY
21	38112NCG8	3/8 x 1 1/2 NC Grade 8 Bolt		8
22	250-2000	Hanger Bracket		2
23	38NCLNG8	3/8 NC Grade 8 Lock Nut		8
24	78312NCG8	7/8 x 3 1/2 NC Grade 8 C/S Zinc		8



TPC-AHG450 External Hose Kit with Spring Guard

TPC-AHG450 External Hose Kit with Spring Guard

REF NUMBER	ITEM NUMBER	DESCRIPTION	NOTE	REQ QTY
1	265-0675	Steel Spring Guard		2 x 5 ft
2	265-1485	Orange Drive Axle Airline		2 x 5 ft
3	1468-10-6	5/8 Compression x 3/8 NPT Male		2
4	124-C	3/8 x 45 Brass Street Elbow		2
5	3400-6	3/8 x 90 Brass Street Elbow		2
6	3600-6	3/8 Male Brass Branch Tee		1



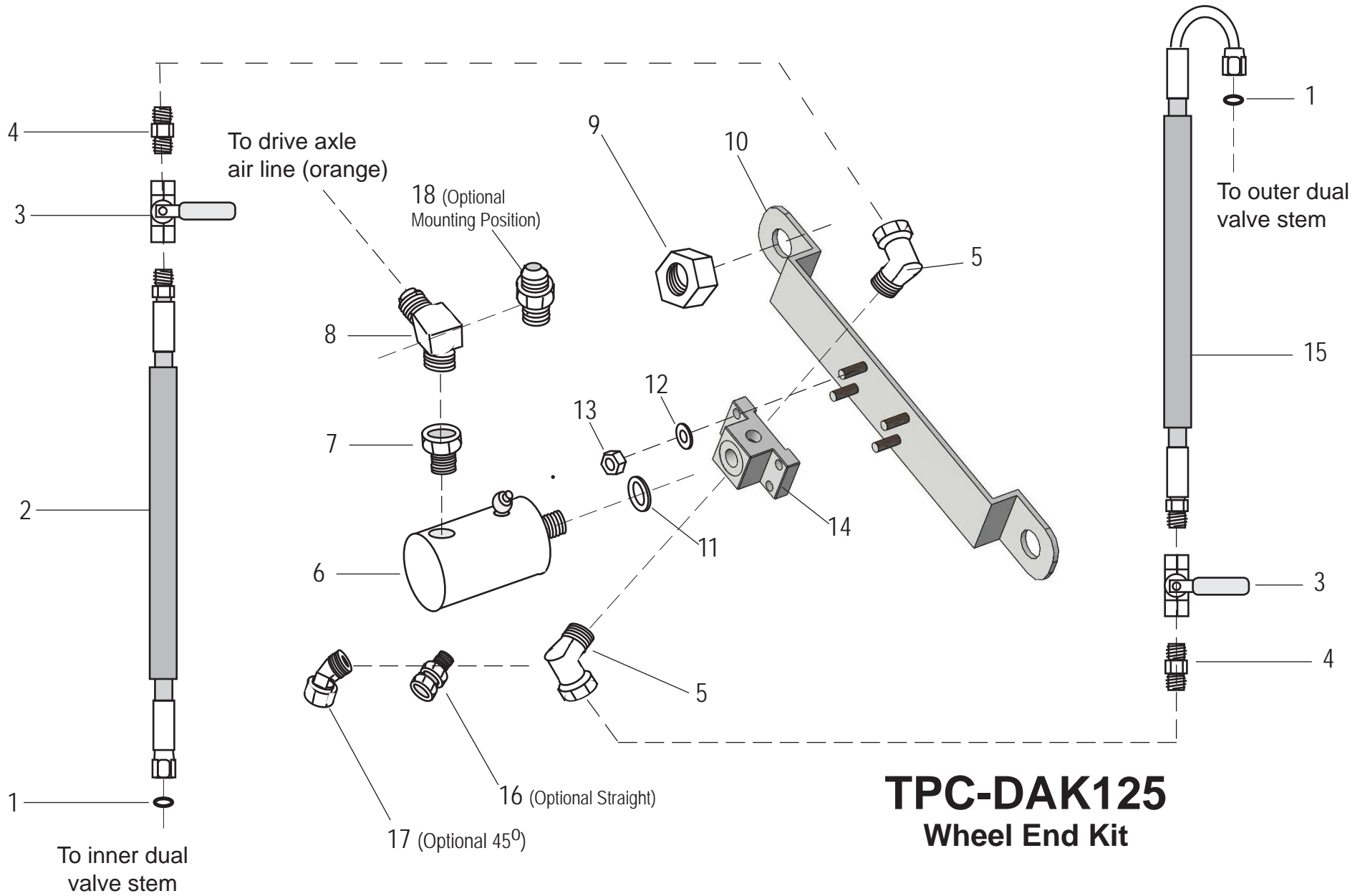
Note...Drive axle views shown in this section are of most common and current wheel end kits. Various other configurations exist depending upon drive axle model. Contact TPC International for more information and part identification.

TPC-DAK100

Drive Axle Wheel End - 7" Axle Stud Spacing (5/8 Studs) - Meritor/Rockwell, Eaton, Mack S440

REF NUMBER	ITEM NUMBER	DESCRIPTION	NOTE	PER WHL END
				REQ QTY
1	CT-VSS100	WHEEL END HOSE SEAL	❶	2
2	CT-008-HA	INNER WHEEL END HOSE		1
3	225-1120	MANIFOLD SWIVEL FITTING		2
4	225-2103	WHEEL END VALVE		2
5	225-1022	WHEEL END VALVE NIPPLE		2
6	1468-10-6	COMPRESSON FITTING		1
7	124-C	ELBOW		1
8	1115-157-238	ROTARY UNION	❸	1
9	58412NCG8	BOLT		2
10	58FWG8	FLAT WASHER		4
11	1105-070	SEALING WASHER	❷	1
12	299-2880	DRIVE AXLE MANIFOLD (7 " BOLT c/c X 5/8 STUD SIZE)		1
13	CT-007-HA	OUTER WHEEL END HOSE		1
14	225-0132	TEFLON WHEEL GUARDS		2
15	584NCG8	BOLT		2

- NOTES**
- ❶ INCLUDED WITH PART #'s CT-007-HA AND CT-008-HA
 - ❷ INCLUDED WITH PART # 1115-157-238
 - ❸ GREASABLE ROTARY UNION. FOR APPROVED ROTARY UNION LUBRICATION USE PART#200-1115(400gTubes)
 - ❹

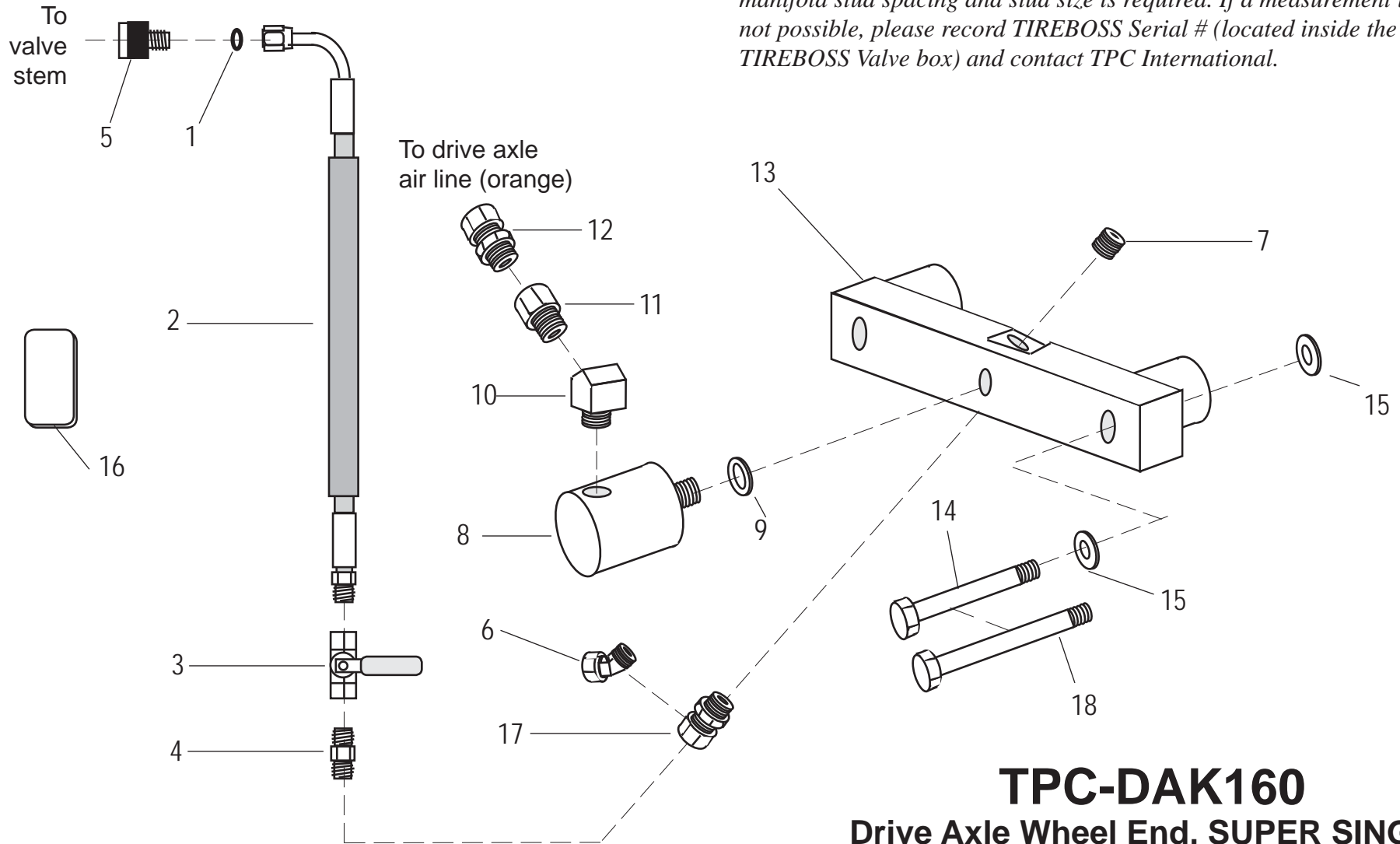


**TPC-DAK125
Debarker Wheel End -**

REF NUMBER	ITEM NUMBER	DESCRIPTION	NOTE	PER WHL END
				REQ QTY
1	CT-VSS100	WHEEL END HOSE SEAL	①	2
2	CT-H22-IN	INNER WHEEL END HOSE (Includes Part #s 1,2,3 and 4)		1
3	225-2103	WHEEL END VALVE		2
4	225-1022	WHEEL END VALVE NIPPLE		2
5	244-1116	- 4 NPSM x 1/4 Male Pipe 90 Adapter		2
6	1115-157-238	ROTARY UNION	③	1
7	3220-6-4	3/8 x 1/4 Brass Bushing		1
8	264-3754	Brass JIC 37 Degree Flare 3/8 x 1/4P		1
9	78NFG8	7/8 Grade 8 NF Hex Nut		2
10	299-2413	Wheel End Bracket		1
11	1105-070	SEALING WASHER	②	1
12	516FWSS	FLAT WASHER		4
13	516NCLNSS	5/16 Stainless Steel Lock Nut		4
14	299-2600	Planetary Manifold Anodized		1
15	CT-H19-OT	Outer WHEEL END HOSE (Includes Part #s 1,15,3 and 4)		1
16	225-1120	1/4 NPSM Swivel x 1/4 Male NPT		1
17	244-1124	-4 NPSM Female Swivel x 1/4 Male NPT 45		1
18	264-3748	-6 JIC Adapter x 1/4 NPT		1

- NOTES**
- ① INCLUDED WITH PART #s CT-H22-IN AND CT-H19-OT
 - ② INCLUDED WITH PART # 1115-157-238
 - ③ GREASABLE ROTARY UNION. FOR APPROVED ROTARY UNION LUBRICATION USE PART#200-1115(400gTubes)

Note: To determine the correct replacement parts, a measurement of manifold stud spacing and stud size is required. If a measurement is not possible, please record TIREBOSS Serial # (located inside the TIREBOSS Valve box) and contact TPC International.



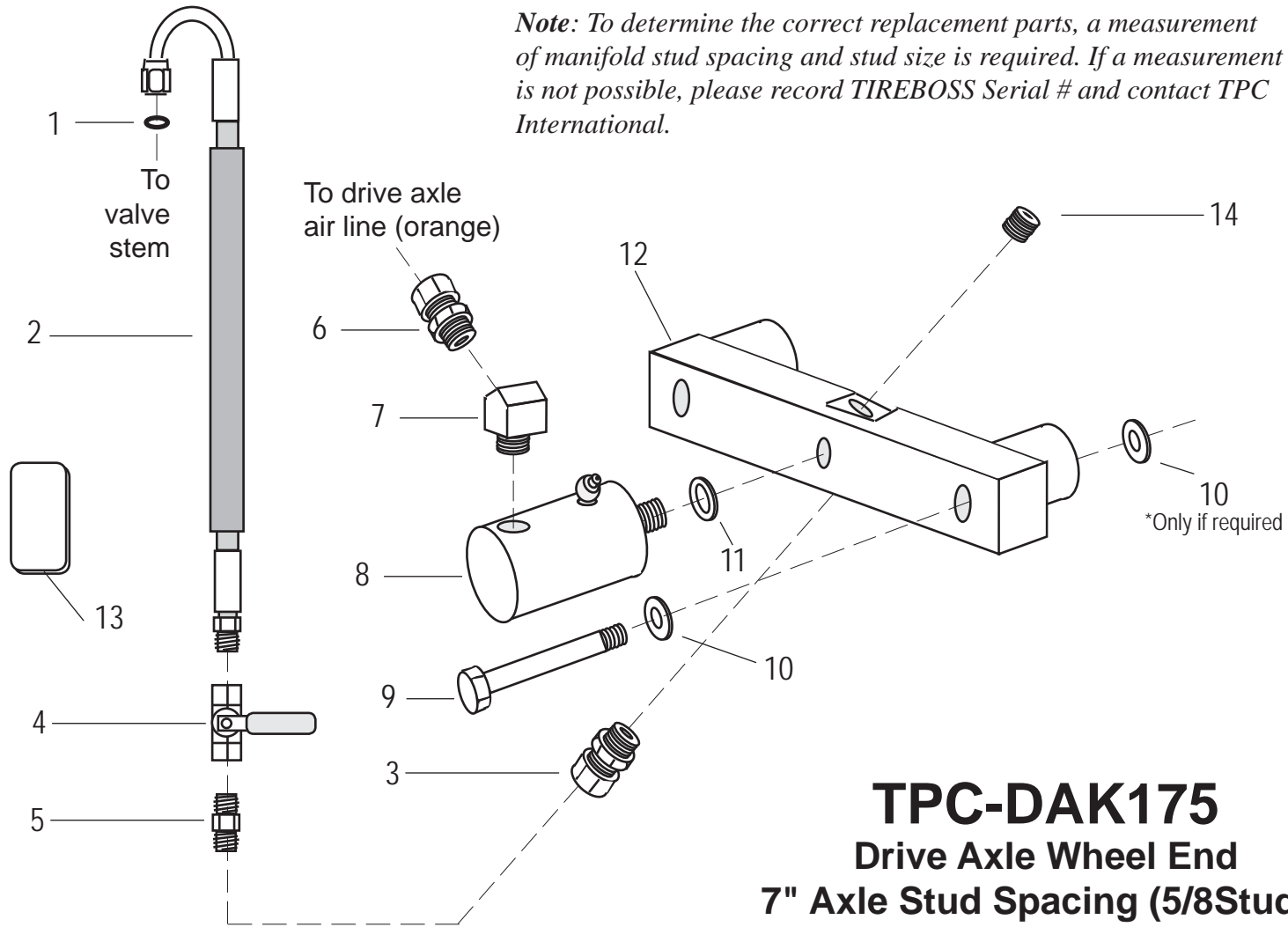
TPC-DAK160 **Drive Axle Wheel End, SUPER SINGLE** **7" Axle Stud Spacing (5/8 Studs)** **Meritor/Rockwell, Eaton, Mack S440**

TPC-DAK160

Drive Axle Wheel End SUPER SINGLE- 7" Axle Stud Spacing (5/8 Studs) - Meritor/Rockwell, Eaton, Mack S440

REF NUMBER	ITEM NUMBER	DESCRIPTION	NOTE	PER WHL END
				REQ QTY
1	CT-VSS100	WHEEL END HOSE SEAL	①	1
2	CT-001-HA	WHEEL END HOSE SUPER SINGLE	③	1
3	225-2103	WHEEL END VALVE	③	1
4	225-1022	WHEEL END VALVE NIPPLE	③	1
5	202-0600	VALVE STEM ADAPTER		1
6	225-1120	45o SWIVEL FITTING		1
7	247-003	1/4 PIPE PLUG		1
8	1102-208-210	ROTARY UNION (SHORT)		1
9	1105-070	SEALING WASHER	②	1
10	124-B	BRASS ELBOW 45o		1
11	120-CB	BELL ADAPTER		1
12	1468-10-6	COMPRESSION FITTING		1
13	299-2880	MANIFOLD 7" Bolt Circle		1
14	584NCG8	4" BOLT		2
15	58FWG8	FLAT WASHER		4
16	CT-AWG-TF	TEFLON WHEEL GUARDS		1
17	225-1120	STRAIGHT SWIVEL		1
18	58412NCG8	4.5"BOLT		2

- NOTES**
- ① INCLUDED WITH PART #'s CT-001-HA
 - ② INCLUDED WITH PART # 1102-208-210
 - ③ Items # 2,3 and 4 available as an assembly - Part # CT-HOS-90



Note: To determine the correct replacement parts, a measurement of manifold stud spacing and stud size is required. If a measurement is not possible, please record TIREBOSS Serial # and contact TPC International.

TPC-DAK175 **Drive Axle Wheel End** **7" Axle Stud Spacing (5/8Studs)** **Super Single Rockwell**

Note...Drive axle views shown in this section are of most common and current wheel end kits. Various other configurations exist depending upon drive axle model. Contact TPC International for more information and part identification.

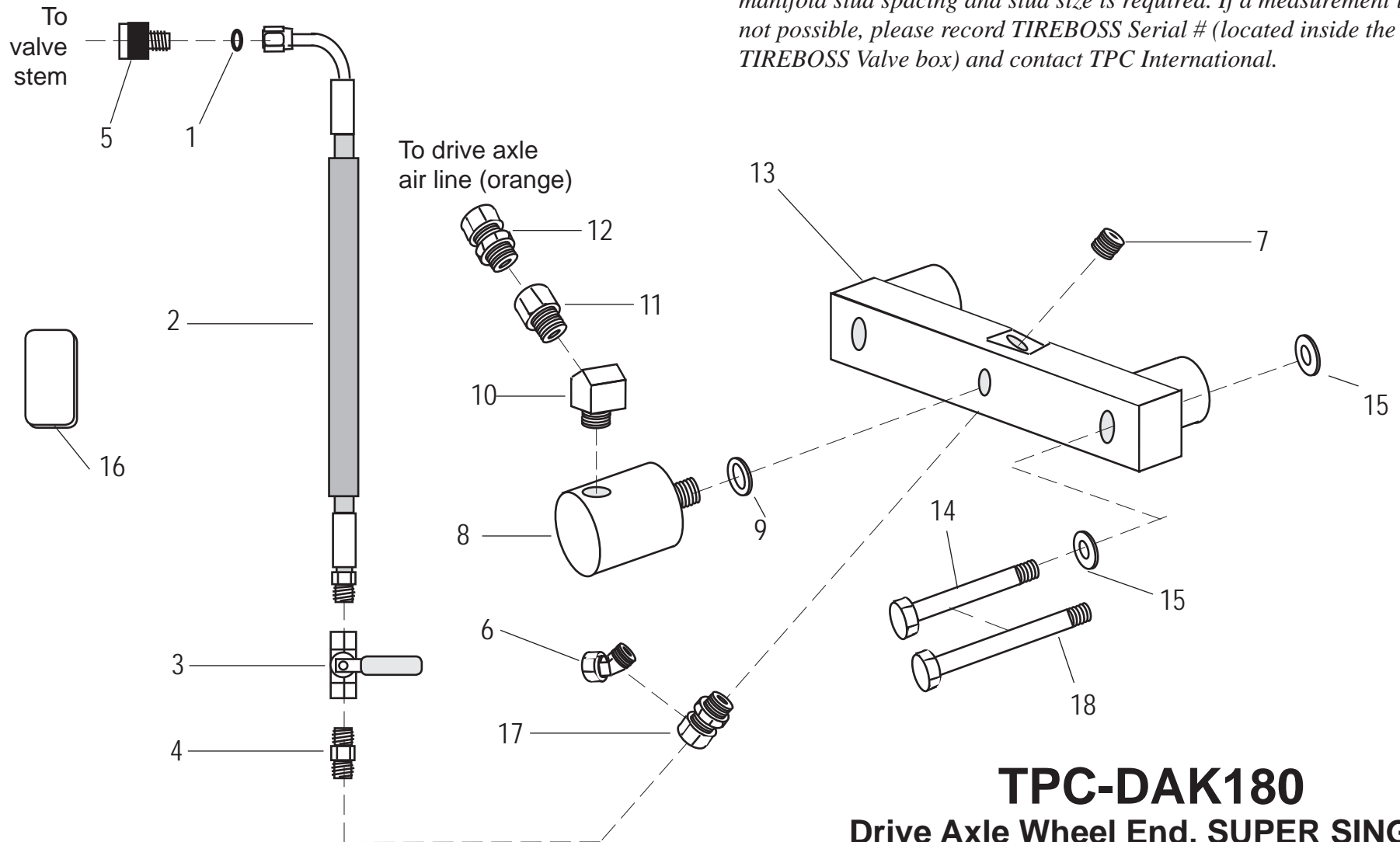
TPC-DAK175

Drive Axle Wheel End - 7" Stud Spacing (5/8 Studs) - Super Single Rockwell

REF NUMBER	ITEM NUMBER	DESCRIPTION	NOTE	PER WHL END
				REQ QTY
1	CT-VSS100	WHEEL END HOSE SEAL	①	1
2	CT-007-HA	OUTER WHEEL END HOSE		1
3	225-1120	MANIFOLD SWIVEL FITTING		1
4	225-2103	WHEEL END VALVE		1
5	225-1022	WHEEL END VALVE NIPPLE		1
6	1468-10-6	COMPRESSON FITTING		1
7	124-C	ELBOW		1
8	1115-157-238	ROTARY UNION	③	1
9	58412NCG8	BOLT		2
10	58FWG8	FLAT WASHER		4
11	1105-070	SEALING WASHER	②	1
12	299-2880	DRIVE AXLE MANIFOLD (7 " BOLT c/c X 5/8 STUD SIZE)		1
13	CT-AWG-TF	TEFLON WHEEL GUARDS	④	1
14	247-003	1/4 COUNTER SUNK PIPE PLUG		1

- NOTES**
- ① INCLUDED WITH PART #'s CT-007-HA
 - ② INCLUDED WITH PART # 1115-157-238
 - ③ GREASABLE ROTARY UNION. FOR APPROVED ROTARY UNION LUBRICATION USE PART#200-1115(400gTubes)
 - ④ ADHESIVE GUARD FOR WHEEL END HOSE ATTACHED TO RIM

Note: To determine the correct replacement parts, a measurement of manifold stud spacing and stud size is required. If a measurement is not possible, please record TIREBOSS Serial # (located inside the TIREBOSS Valve box) and contact TPC International.



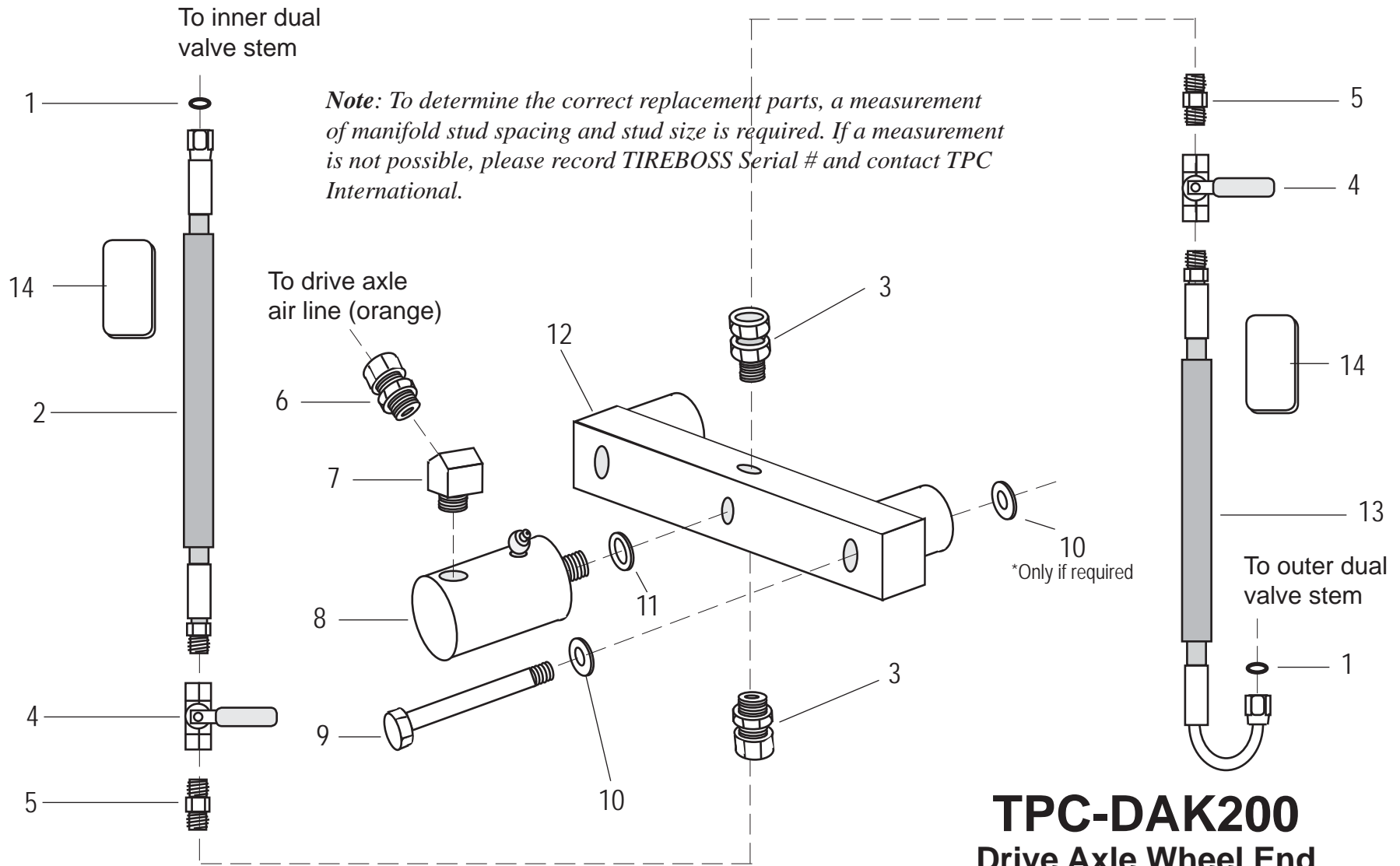
TPC-DAK180 **Drive Axle Wheel End, SUPER SINGLE** **7 1/4" Axle Stud Spacing (5/8 Studs)** **Meritor/Rockwell RT70**

TPC-DAK180

Drive Axle Wheel End SUPER SINGLE- 7 1/4" Bolt Circle (5/8 Studs) - Meritor/Rockwell RT70

REF NUMBER	ITEM NUMBER	DESCRIPTION	NOTE	PER WHL END
				REQ QTY
1	CT-VSS100	WHEEL END HOSE SEAL	①	1
2	CT-001-HA	WHEEL END HOSE SUPER SINGLE	③	1
3	225-2103	WHEEL END VALVE	③	1
4	225-1022	WHEEL END VALVE NIPPLE	③	1
5	200-0600	VALVE STEM ADAPTER		1
6	244-1124	45o SWIVEL FITTING		1
7	247-003	1/4 PIPE PLUG		1
8	1102-208-210	ROTARY UNION (SHORT)		1
9	1105-070	SEALING WASHER	②	1
10	124-B	BRASS ELBOW 45o		1
11	120-CB	BELL ADAPTER		1
12	1468-10-6	COMPRESSION FITTING		1
13	299-2882	MANIFOLD 7 1/4" Bolt Circle		1
14	584NCG8	4" BOLT		2
15	58FWG8	FLAT WASHER		4
16	CT-AWG-TF	TEFLON WHEEL GUARDS		1
17	225-1120	STRAIGHT SWIVEL		1
18	58412NCG8	4.5"BOLT		2

- NOTES**
- ① INCLUDED WITH PART #'s CT-001-HA
 - ② INCLUDED WITH PART # 1102-208-210
 - ③ Items # 2,3 and 4 available as an assembly - Part # CT-HOS-90



Note...Drive axle views shown in this section are of most common and current wheel end kits. Various other configurations exist depending upon drive axle model. Contact TPC International for more information and part identification.

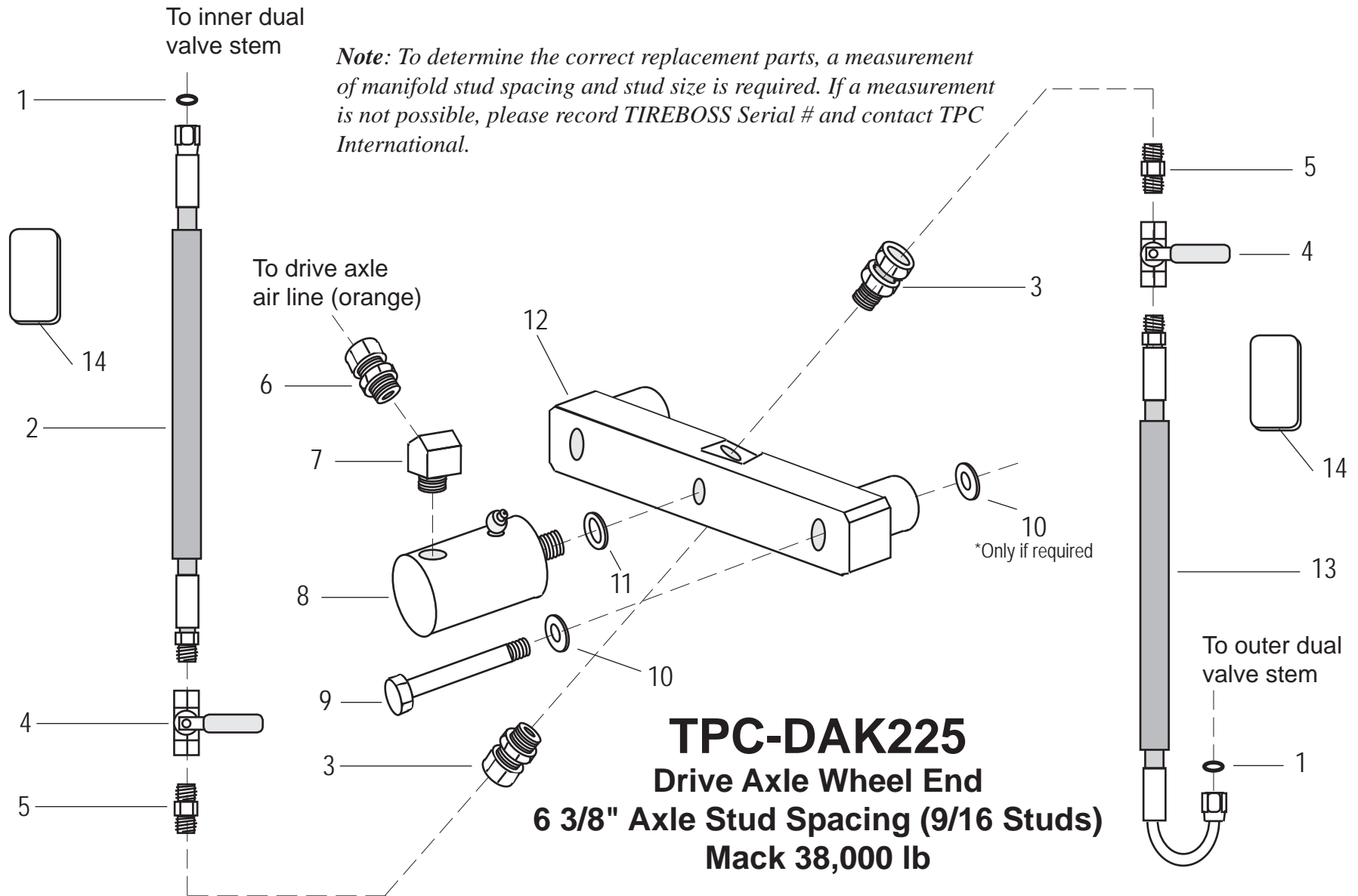
TPC-DAK200 Drive Axle Wheel End 7 1/2" Axle Stud Spacing (5/8 Studs) Mack Axles

TPC-DAK200

Drive Axle Wheel End - 7 1/2" Axle Stud Spacing (5/8 Studs) - Mack Axles

REF NUMBER	ITEM NUMBER	DESCRIPTION	NOTE	PER WHL END
				REQ QTY
1	CT-VSS100	WHEEL END HOSE SEAL	❶	2
2	CT-008-HA	INNER WHEEL END HOSE		1
3	225-1120	MANIFOLD SWIVEL FITTING		2
4	225-2103	WHEEL END VALVE		2
5	225-1022	WHEEL END VALVE NIPPLE		2
6	1468-10-6	COMPRESSON FITTING		
7	124-C	ELBOW		1
8	1115-157-238	ROTARY UNION	❸	1
9	58412NCG8	BOLT	❹	2
10	58FWG8	FLAT WASHER		4
11	1105-070	SEALING WASHER	❷	1
12	299-2900	DRIVE AXLE MANIFOLD (Mack Drive Axles)		1
13	CT-007-HA	OUTER WHEEL END HOSE		1
14	225-0132	TEFLON WHEEL GUARDS	❺	2

- NOTES**
- ❶ INCLUDED WITH PART #'s CT-007-HA AND CT-008-HA
 - ❷ INCLUDED WITH PART # 1115-157-238
 - ❸ GREASABLE ROTARY UNION. FOR APPROVED ROTARY UNION LUBRICATION USE PART#200-1115(400gTubes)
 - ❹ DEPENDING ON APPLICATION MAY USE 5/8 x 4" NCG8 BOLT
 - ❺ ADHESIVE GUARD FOR WHEEL END HOSE ATTACHED TO RIM



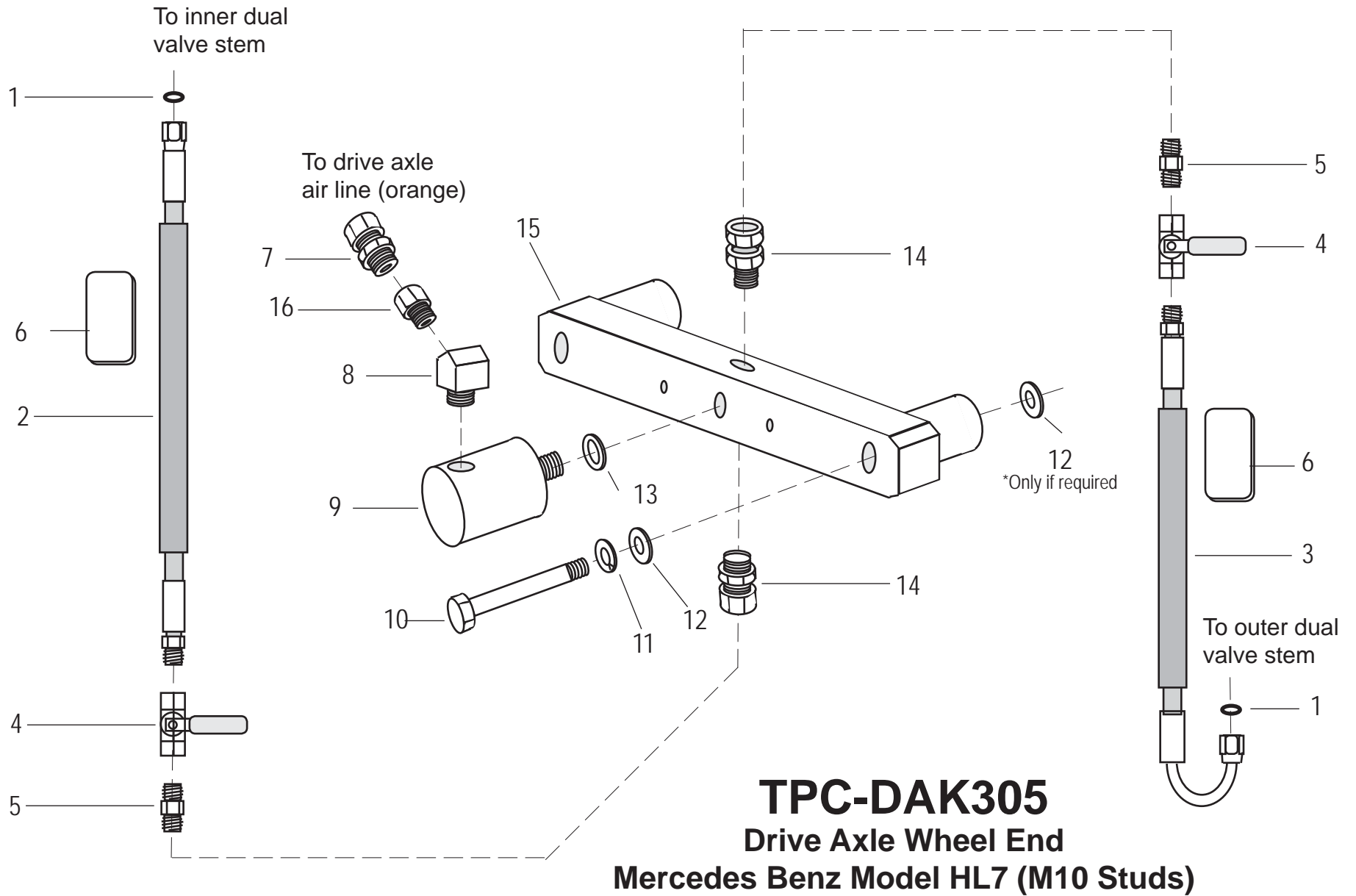
Note...Drive axle views shown in this section are of most common and current wheel end kits. Various other configurations exist depending upon drive axle model. Contact TPC International for more information and part identification.

TPC-DAK225

Drive Axle Wheel End - 6 3/8" Axle Stud Spacing (9/16 Studs) - Mack 38,000 lb

REF NUMBER	ITEM NUMBER	DESCRIPTION	NOTE	PER WHL END
				REQ QTY
1	CT-VSS100	WHEEL END HOSE SEAL	❶	2
2	CT-008-HA	INNER WHEEL END HOSE		1
3	225-1120	MANIFOLD SWIVEL FITTING		2
4	225-2103	WHEEL END VALVE		2
5	225-1022	WHEEL END VALVE NIPPLE		2
6	1468-10-6	COMPRESSON FITTING		
7	124-C	ELBOW		1
8	1115-157-238	ROTARY UNION	❸	1
9	9164NCG8	BOLT		2
10	916FWG8	FLAT WASHER		4
11	1105-070	SEALING WASHER	❷	1
12	299-3800	DRIVE AXLE MANIFOLD (Mack 38,000 lb)		1
13	CT-007-HA	OUTER WHEEL END HOSE		1
14	225-0132	TEFLON WHEEL GUARDS	❹	2

- NOTES**
- ❶ INCLUDED WITH PART #'s CT-007-HA AND CT-008-HA
 - ❷ INCLUDED WITH PART # 1115-157-238
 - ❸ GREASABLE ROTARY UNION. FOR APPROVED ROTARY UNION LUBRICATION USE PART#200-1115(400gTubes)
 - ❹ ADHESIVE GUARD FOR WHEEL END HOSE ATTACHED TO RIM

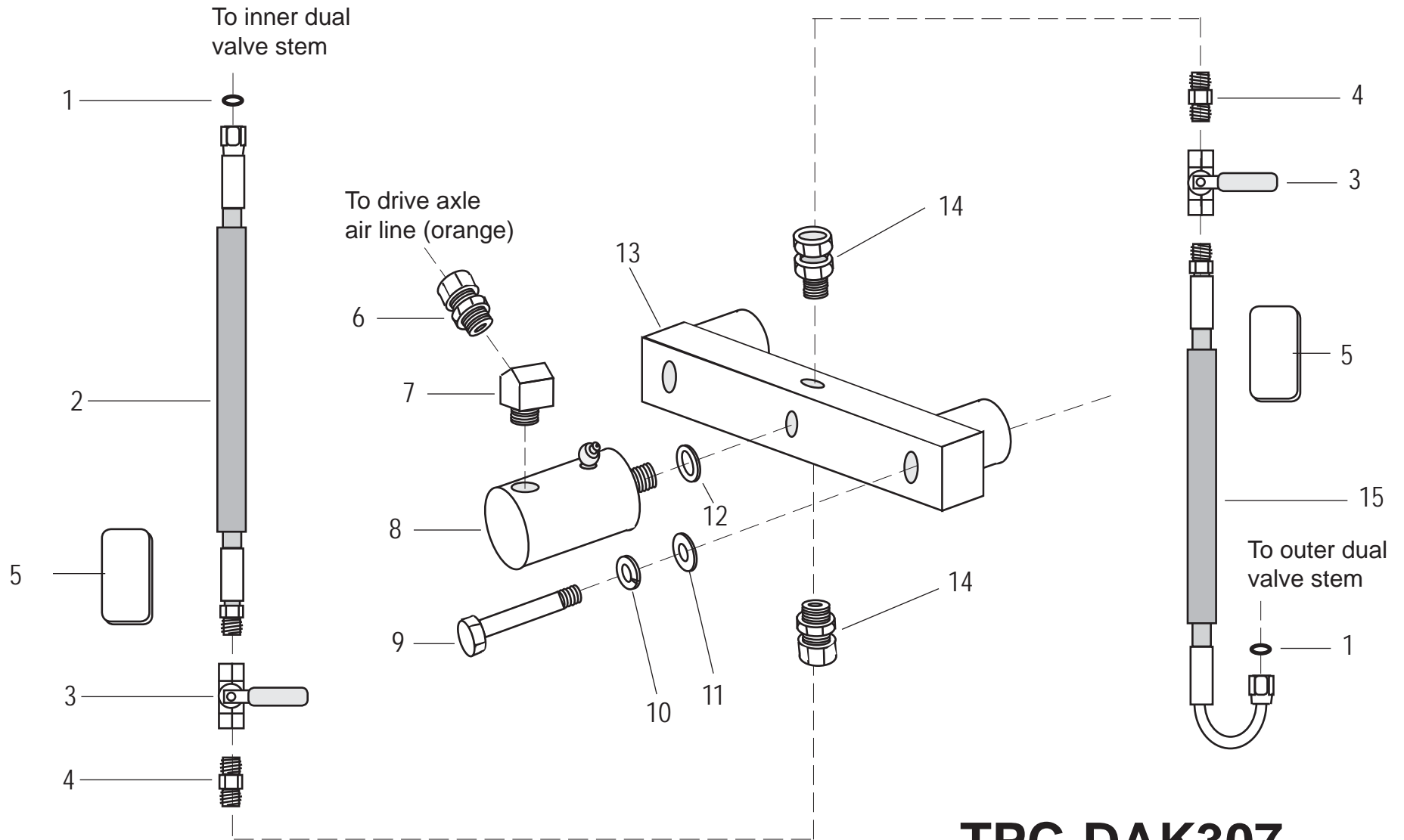


Note...Drive axle views shown in this section are of most common and current wheel end kits. Various other configurations exist depending upon drive axle model. Contact TPC International for more information and part identification.

TPC-DAK305
Mercedes Benz Model HL7 (M10 Studs)

REF NUMBER	ITEM NUMBER	DESCRIPTION	PER WHL END	
			NOTE	REQ QTY
1	CT-VSS100	WHEEL END HOSE SEAL	①	2
2	CT-108-HA	INNER WHEEL END HOSE (EXTRA LONG)		1
3	CT-007-HA	OUTER WHEEL END HOSE		1
4	225-2103	WHEEL END VALVE		2
5	225-1022	WHEEL END VALVE NIPPLE		2
6	225-0132	TEFLON WHEEL GUARDS	③	2
7	1468-10-6	COMPRESSON FITTING		1
8	124-B	ELBOW		1
9	1102-208-210	ROTARY UNION - Short		1
10	200-1080	BOLT (M10 x 80 mm Metric Bolt)		2
11	200-1001	LOCK WASHER 10MM		2
12	200-0010	FLAT WASHER 10MM		4
13	1105-070	ROTAY UNION SEALING WASHER	②	1
14	225-1120	MANIFOLD SWIVEL FITTING		2
15	299-2883	DRIVE AXLE MANIFOLD		1
16	120-CB	BELL ADAPTOR		1

- NOTES**
- ① INCLUDED WITH PART #'s CT-007-HA AND CT-108-HA
 - ② INCLUDED WITH PART # 1102-208-210
 - ③ ADHESIVE GUARD FOR WHEEL END HOSE ATTACHED TO RIM



TPC-DAK307

Drive Axle Wheel End

245mm Axle Stud Spacing (10mm Studs)

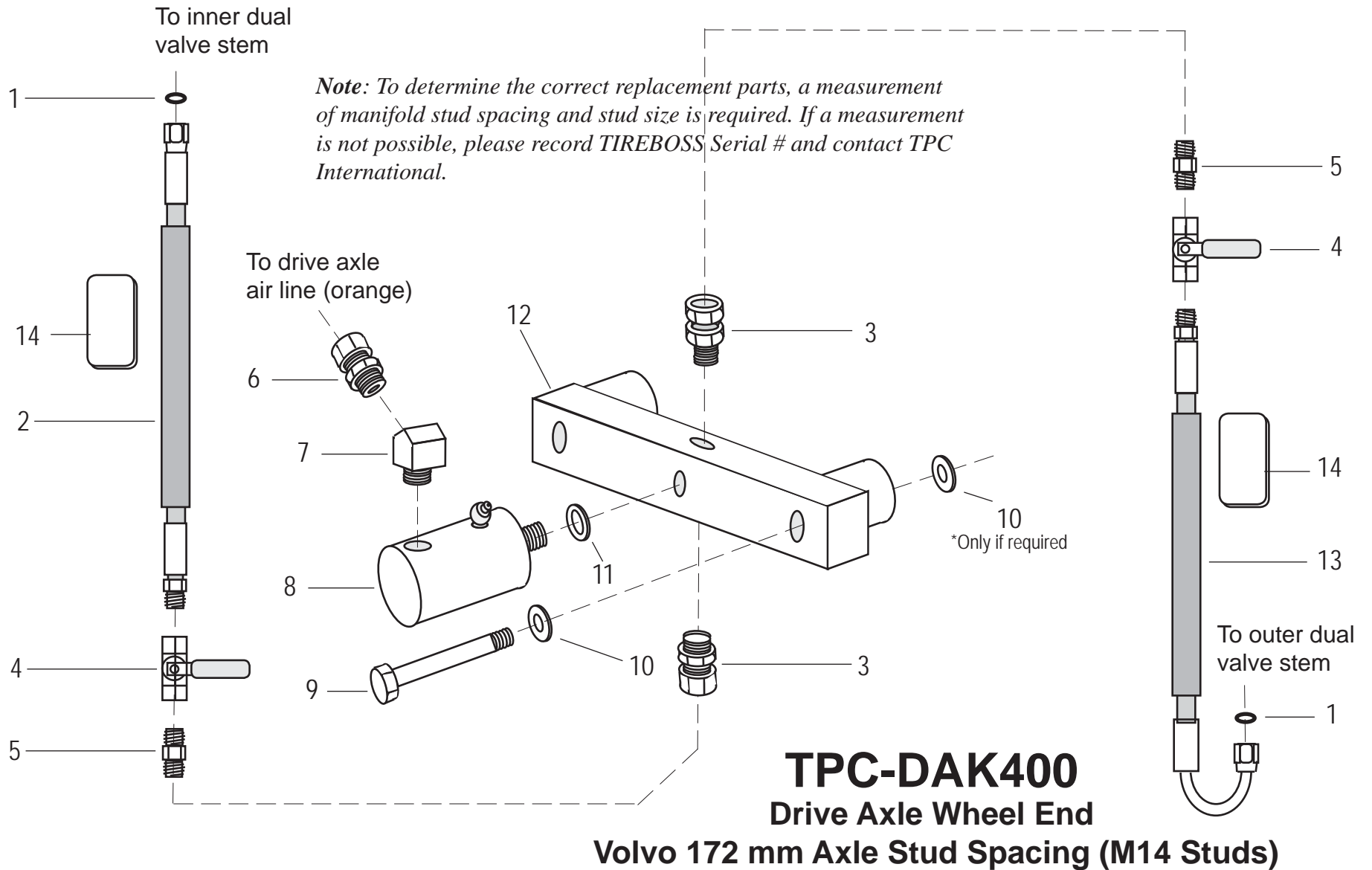
Mercedes Model HL7 with long unions

TPC-DAK307

Drive Axle Wheel End - 245mm Axle Stud Spacing Mercedes Model HL7

REF NUMBER	ITEM NUMBER	DESCRIPTION	NOTE	PER WHL END
				REQ QTY
1	CT-VSS100	WHEEL END HOSE SEAL	❶	2
2	CT-HOL-IN	INNER WHEEL END HOSE (Extra Long) (Ball Valve Included)		1
3	225-2103	WHEEL END VALVE	❶	2
4	225-1022	WHEEL END VALVE NIPPLE	❶	2
5	CT-AWG-TF	TEFLON WHEEL GUARD with Instructions	❷	2
6	1468-10-6	COMPRESSON FITTING		
7	124-C	ELBOW		1
8	1115-157-238	ROTARY UNION	❸	1
9	200-1080	M10 x 80 mm METRIC HEX BOLT		2
10	200-1001	M10 LOCK WASHER		2
11	200-0010	M10 FLAT WASHER		4
12	1105-070	ROTARY UNION Sealing Washer	❹	1
13	299-2883	Drive Axle MANIFOLD 245mm B/C		1
14	225-1120	1/4 NPSM Swivel x 1/4 Male NPT		2
15	CT-HOS-OT	OUTER WHEEL END HOSE (Ball Valve Included)		1

- NOTES**
- ❶ INCLUDED WITH PART #'s CT-HOL-IN AND CT-HOS-OT
 - ❷ INCLUDED WITH PART # 1115-157-238
 - ❸ GREASABLE ROTARY UNION. FOR APPROVED ROTARY UNION LUBRICATION USE PART#200-1115(400gTubes)
 - ❹ ADHESIVE GUARD FOR WHEEL END HOSE ATTACHED TO RIM



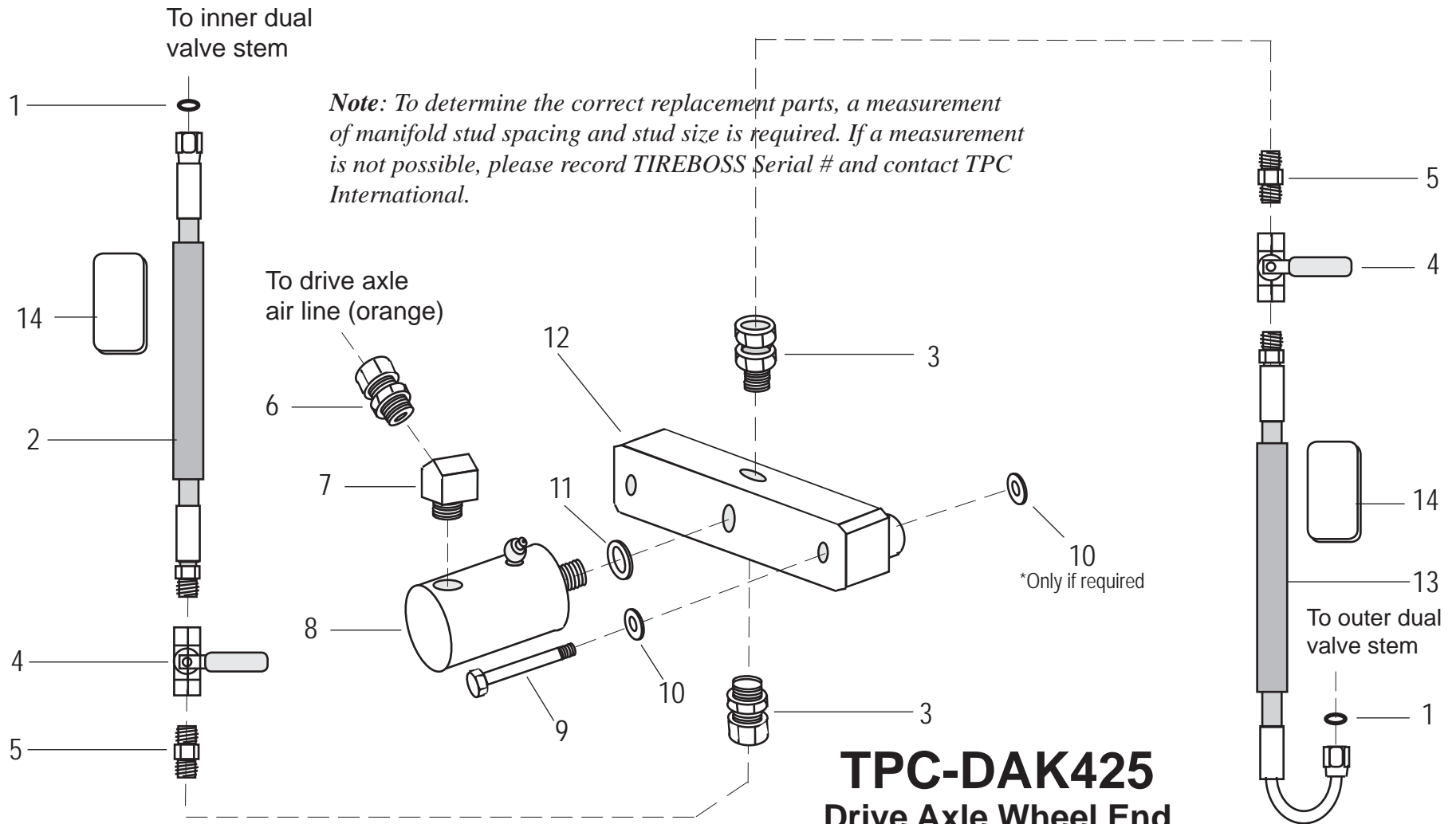
Note...Drive axle views shown in this section are of most common and current wheel end kits. Various other configurations exist depending upon drive axle model. Contact TPC International for more information and part identification.

TPC-DAK400

Drive Axle Wheel End - Volvo 172 mm Axle Stud Spacing (M14 Studs)

REF NUMBER	ITEM NUMBER	DESCRIPTION	PER WHL END	
			NOTE	REQ QTY
1	CT-VSS100	WHEEL END HOSE SEAL	①	2
2	CT-008-HA	INNER WHEEL END HOSE		1
3	225-1120	MANIFOLD SWIVEL FITTING		2
4	225-2103	WHEEL END VALVE		2
5	225-1022	WHEEL END VALVE NIPPLE		2
6	1468-10-6	COMPRESSON FITTING		1
7	124-C	ELBOW		1
8	1115-157-238	ROTARY UNION	③	1
9	200-1490	BOLT (M14 x 90 mm Metric Bolt)		2
10	916FWG8	FLAT WASHER		4
11	1105-070	SEALING WASHER	②	1
12	299-2172	DRIVE AXLE MANIFOLD		1
13	CT-007-HA	OUTER WHEEL END HOSE		1
14	225-0132	TEFLON WHEEL GUARDS	④	2

- NOTES**
- ① INCLUDED WITH PART #'s CT-007-HA AND CT-008-HA
 - ② INCLUDED WITH PART # 1115-157-238
 - ③ GREASABLE ROTARY UNION. FOR APPROVED ROTARY UNION LUBRICATION USE PART#200-1115(400gTubes)
 - ④ ADHESIVE GUARD FOR WHEEL END HOSE ATTACHED TO RIM



TPC-DAK425
Drive Axle Wheel End
118 mm Axle Stud Spacing (M8 Studs)
Volvo Planetary RT2610/HV & CTN372

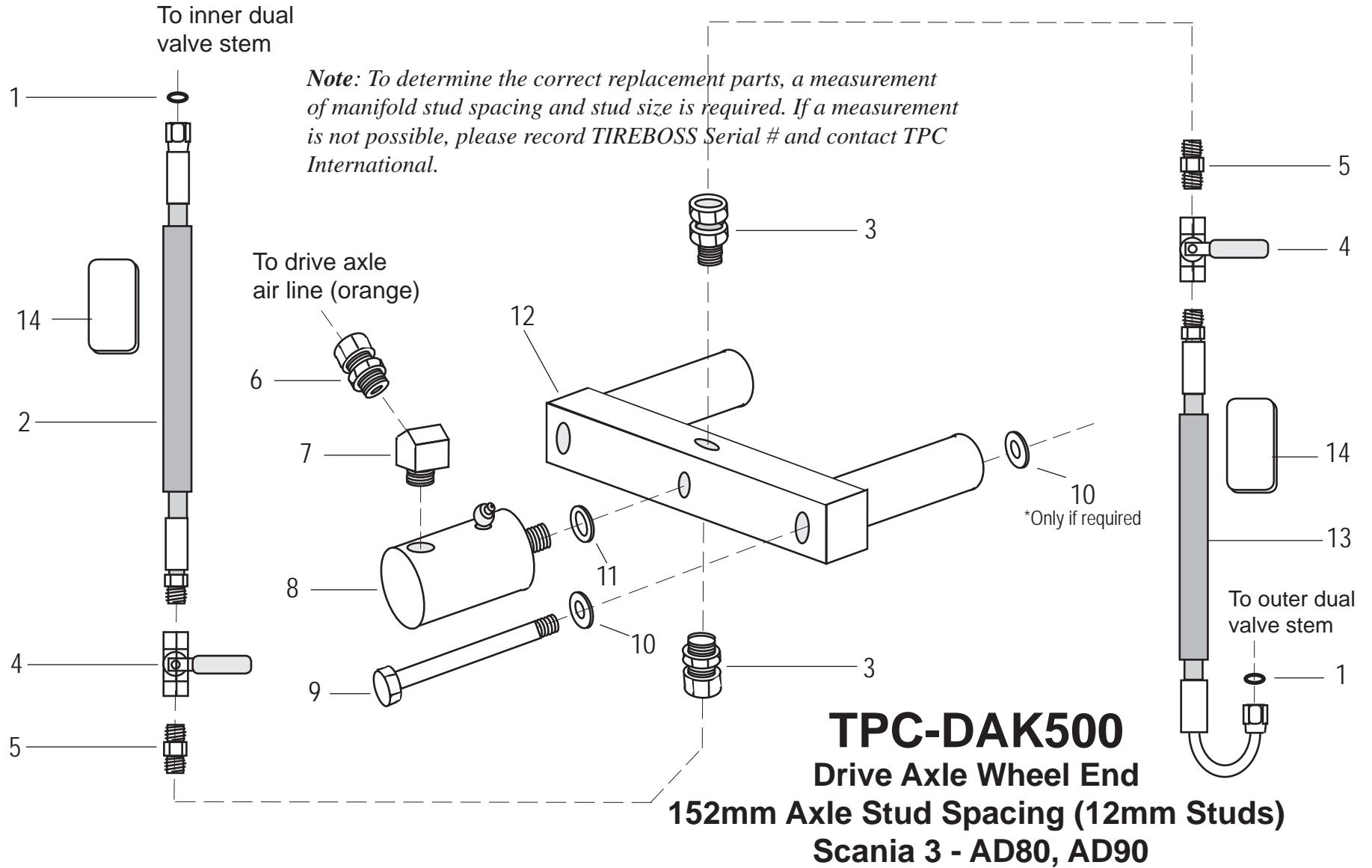
Note...Drive axle views shown in this section are of most common and current wheel end kits. Various other configurations exist depending upon drive axle model. Contact TPC International for more information and part identification.

TPC-DAK425

Drive Axle Wheel End - 118mm Axle Stud Spacing (M8 Studs) - Volvo Planetary RT2610/HV & CTN372

REF NUMBER	ITEM NUMBER	DESCRIPTION	NOTE	PER WHL END
				REQ QTY
1	CT-VSS100	WHEEL END HOSE SEAL	❶	2
2	CT-008-HA	INNER WHEEL END HOSE		1
3	225-1120	MANIFOLD SWIVEL FITTING		2
4	225-2103	WHEEL END VALVE		2
5	225-1022	WHEEL END VALVE NIPPLE		2
6	1468-10-6	COMPRESSON FITTING		1
7	124-C	ELBOW		1
8	1115-157-238	ROTARY UNION	❸	1
9	200-0850	BOLT M8 x 50 mm		2
10	516FW	FLAT WASHER		2
11	1105-070	SEALING WASHER	❷	1
12	299-4500	DRIVE AXLE MANIFOLD		1
13	CT-007-HA	OUTER WHEEL END HOSE		1
14	CT-AWG-TF	TEFLON WHEEL GUARDS	❹	2

- NOTES**
- ❶ INCLUDED WITH PART #'s CT-007-HA AND CT-008-HA
 - ❷ INCLUDED WITH PART # 1115-157-238
 - ❸ GREASABLE ROTARY UNION. FOR APPROVED ROTARY UNION LUBRICATION USE PART#200-1115(400gTubes)
 - ❹ ADHESIVE GUARD FOR WHEEL END HOSE ATTACHED TO RIM



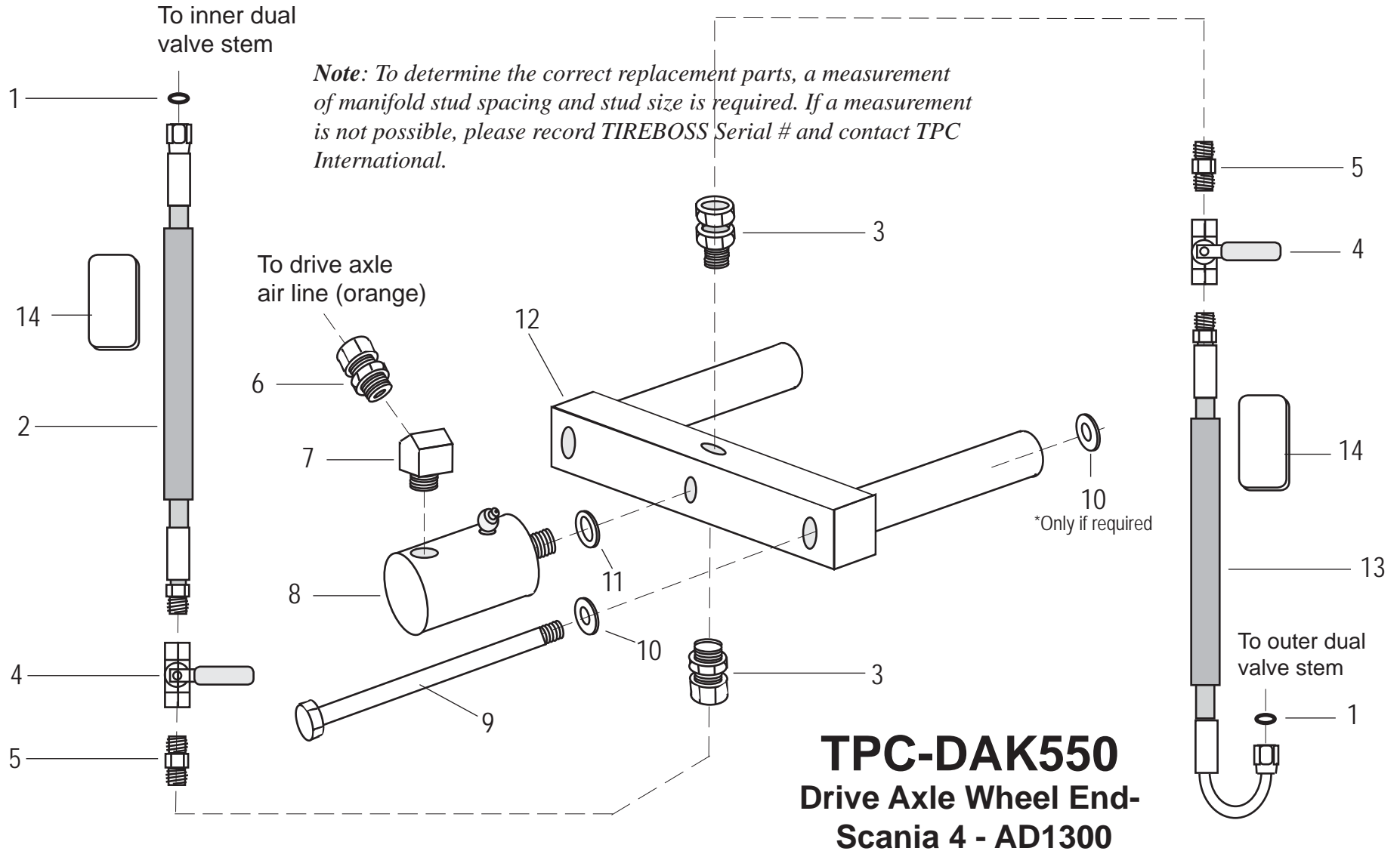
Note...Drive axle views shown in this section are of most common and current wheel end kits. Various other configurations exist depending upon drive axle model. Contact TPC International for more information and part identification.

TPC-DAK500

Drive Axle Wheel End - 152mm Axle Stud Spacing (12 mm Studs) - Scania 3 - AD80, AD90

REF NUMBER	ITEM NUMBER	DESCRIPTION	NOTE	PER WHL END
				REQ QTY
1	CT-VSS100	WHEEL END HOSE SEAL	❶	2
2	CT-008-HA	INNER WHEEL END HOSE		1
3	225-1120	MANIFOLD SWIVEL FITTING		2
4	225-2103	WHEEL END VALVE		2
5	225-1022	WHEEL END VALVE NIPPLE		2
6	1468-10-6	COMPRESSON FITTING		1
7	124-C	ELBOW		1
8	1115-157-238	ROTARY UNION	❸	1
9	200-0150	BOLT (12 m x 150 mm Grade 5 Bolt)		2
10	200-1200	FLAT WASHER (12 m)		4
11	1105-070	SEALING WASHER	❷	1
12	299-2080	DRIVE AXLE MANIFOLD (Scania)		1
13	CT-007-HA	OUTER WHEEL END HOSE		1
14	225-0132	TEFLON WHEEL GUARDS	❹	2

- NOTES**
- ❶ INCLUDED WITH PART #'s CT-007-HA AND CT-008-HA
 - ❷ INCLUDED WITH PART # 1115-157-238
 - ❸ GREASABLE ROTARY UNION. FOR APPROVED ROTARY UNION LUBRICATION USE PART#200-1115(400gTubes)
 - ❹ ADHESIVE GUARD FOR WHEEL END HOSE ATTACHED TO RIM

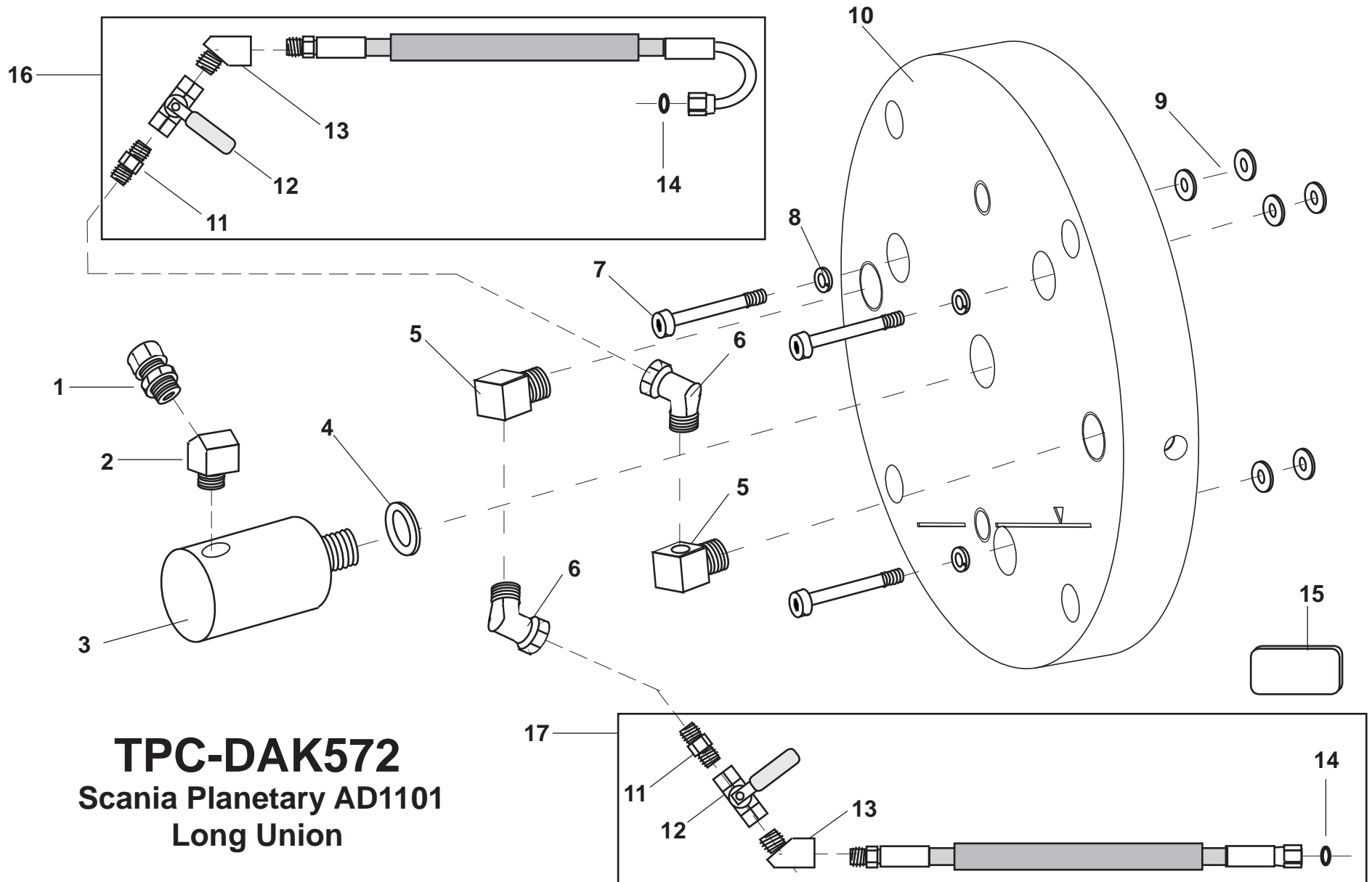


Note...Drive axle views shown in this section are of most common and current wheel end kits. Various other configurations exist depending upon drive axle model. Contact TPC International for more information and part identification.

**TPC-DAK550
Drive Axle Wheel End - Scania 4 - AD1300**

REF NUMBER	ITEM NUMBER	DESCRIPTION	PER WHL END	
			NOTE	REQ QTY
1	CT-VSS100	WHEEL END HOSE SEAL	①	2
2	CT-008-HA	INNER WHEEL END HOSE		1
3	225-1120	MANIFOLD SWIVEL FITTING		2
4	225-2103	WHEEL END VALVE		2
5	225-1022	WHEEL END VALVE NIPPLE		2
6	1468-10-6	COMPRESSON FITTING		1
7	124-C	ELBOW		1
8	1115-157-238	ROTARY UNION	③	1
9	200-0200	BOLT (12 m x 200 mm Grade 8 Metric)		2
10	200-1200	FLAT WASHER (12 m)		4
11	1105-070	SEALING WASHER	②	1
12	299-2090	DRIVE AXLE MANIFOLD (Scania)		1
13	CT-007-HA	OUTER WHEEL END HOSE		1
14	225-0132	TEFLON WHEEL GUARDS	④	2

- NOTES**
- ① INCLUDED WITH PART #'s CT-007-HA AND CT-008-HA
 - ② INCLUDED WITH PART # 1115-157-238
 - ③ GREASABLE ROTARY UNION. FOR APPROVED ROTARY UNION LUBRICATION USE PART#200-1115(400gTubes)
 - ④ ADHESIVE GUARD FOR WHEEL END HOSE ATTACHED TO RIM



TPC-DAK572
Scania Planetary AD1101
Long Union

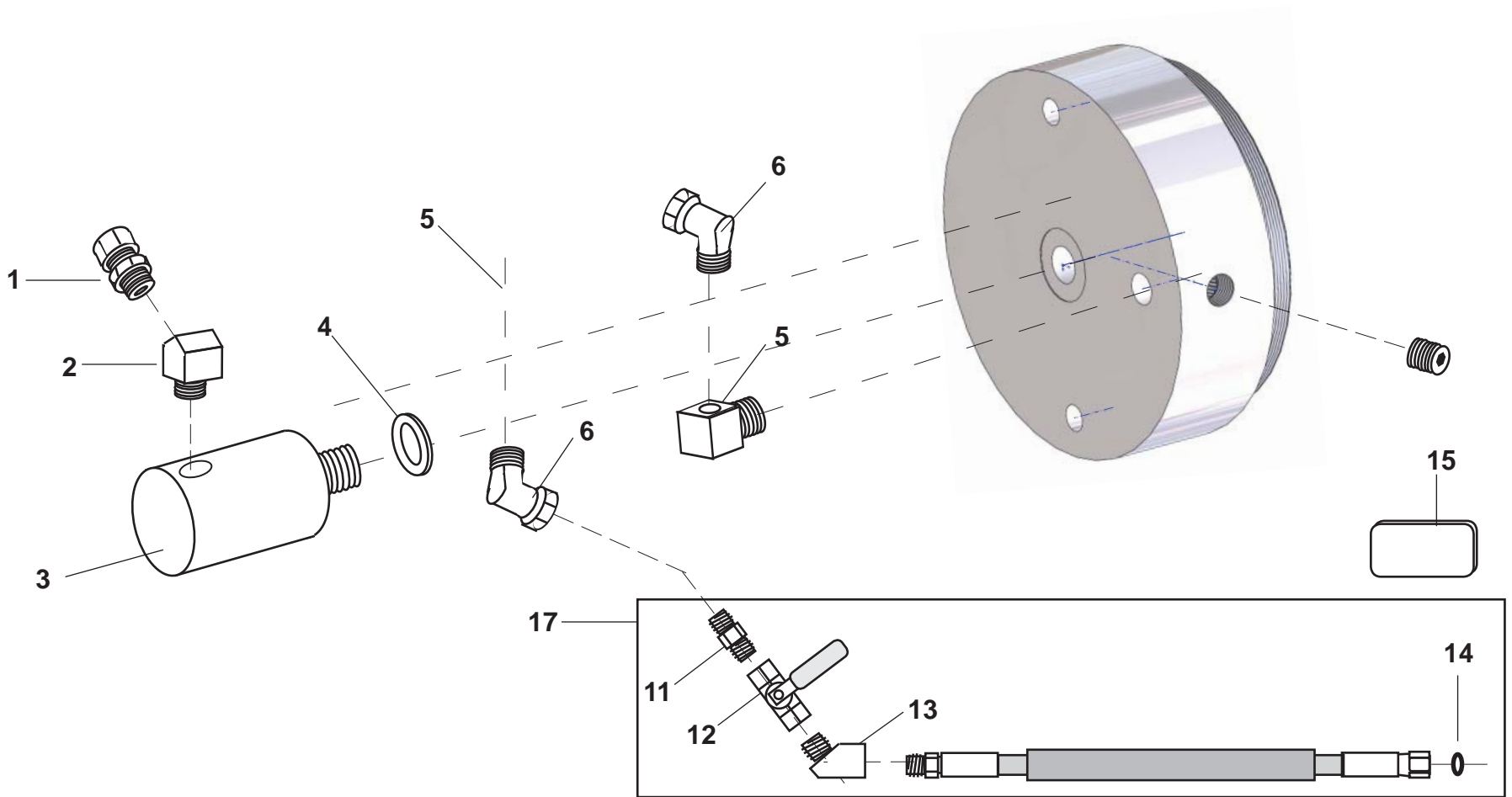
TPC-DAK572
Drive Axle Wheel End - Scania Planetary AD1101 - Long Union

REF NUMBER	ITEM NUMBER	DESCRIPTION	NOTE	PER WHL END
				REQ QTY
1	1468-10-6	COMPRESSON FITTING		1
2	124-C	ELBOW		1
3	1115-157-238	ROTARY UNION		1
4	1105-070	SEALING WASHER		1
5	3400-4	1/4 x 90 Brass Street Elbow		2
6	244-1124	-4 NPSM Female Swivel x 1/4 Male NPT 45		2
7	200-0841	Stainless M8 x 1.25 x 40 Metric Socket Head Cap Screw		3
8	516LWHC	5/16 Hi Collar Lock Washer		1
9	FW8BLT38	BOLT (12 m x 200 mm Grade 8 Metric)		6
10	299-0750	COMPRESSON FITTING		1
11	225-1022	WHEEL END VALVE NIPPLE	❶	2
12	225-2105	Ball Valve - Short Handle	❶	2
13	124-B	1/4 x 45 degree Street Elbow	❶	2
14	CT-VSS100	WHEEL END HOSE SEAL	❶	2
15	CT-AWG-TF	Teflon Wheel Guards with Instructions		1
16	CT-HOS-OT-45	Outer Wheel Hose with 45 degrees and short handle		1
17	CT-HOS-IN-45	Inner Wheel Hose with 45 degrees and short handle		1

- NOTES**
- ❶ INCLUDED WITH PART #'s CT-HOL-IN-45 and CT-HOS-OT-45
 - ❷ INCLUDED WITH PART # 1115-157-238

TPC-DAK597

Scania / Volvo Tag Axle
with Threaded Cap

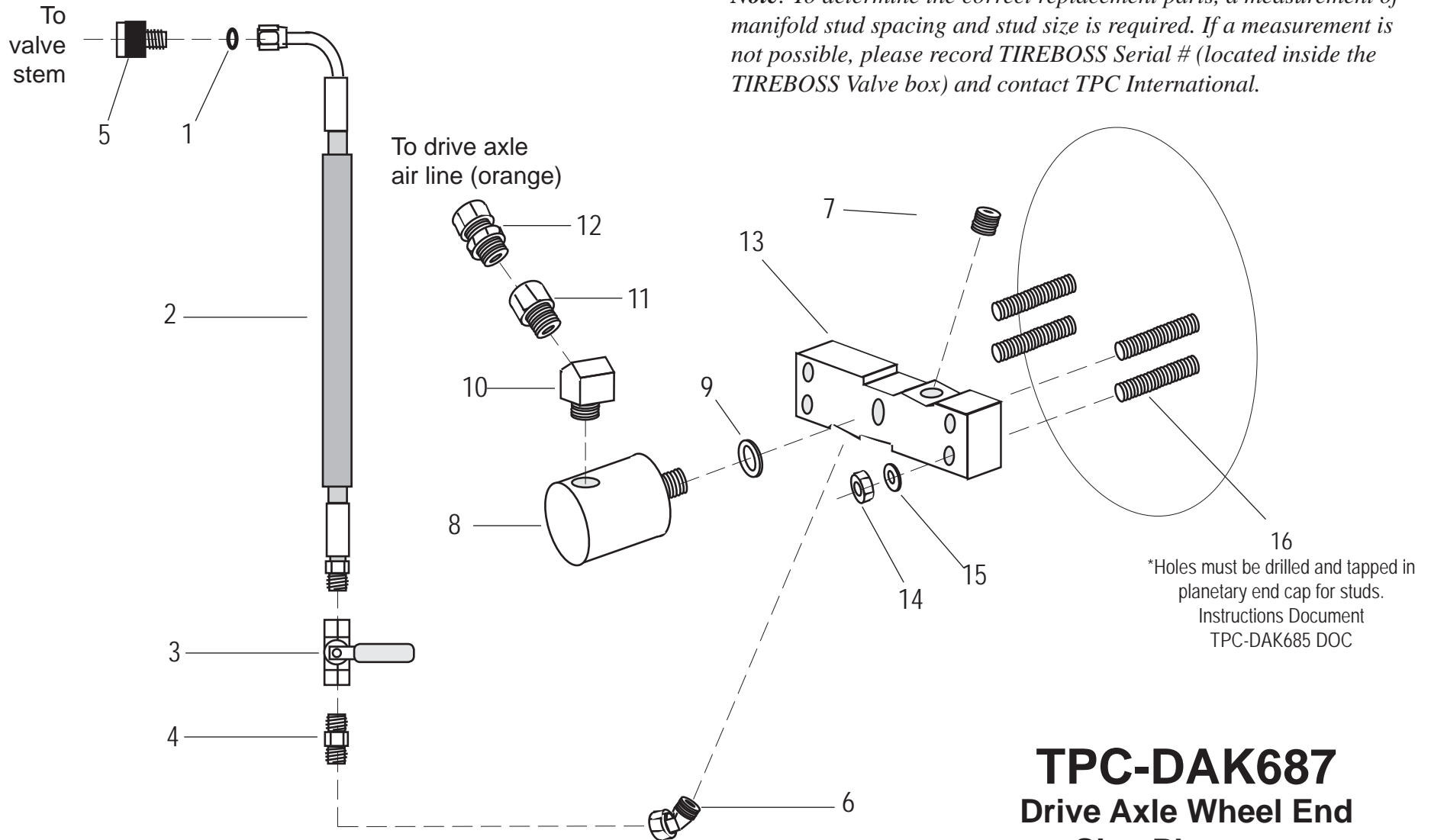


**TPC-DAK597
Scania / Volvo Tag Axle with Threaded Cap**

REF NUMBER	ITEM NUMBER	DESCRIPTION	PER WHL END	
			NOTE	REQ QTY
1	1468-10-6	COMPRESSON FITTING		1
2	124-C	ELBOW		1
3	1115-157-238	ROTARY UNION		1
4	1105-070	SEALING WASHER	1	1
5	244-1116	-4 NPSM Female Swivel x 1/4 Male NPT 90		1
6	244-1124	-4 NPSM Female Swivel x 1/4 Male NPT 45		1
7	CT-HOS-90	Wheel End Hose and Valve Assembly 90 Degree		1
8	CT-AWG-TF	Teflon Wheel Guards with Instructions		1
9	299-3416	Scania / Volvo Tag Axle Threaded Cap		1
10	16000-251	Oing Nitrile 70D - Volvo		1
10	16000-253	Oing Nitrile 70D - Scania		1
11	247-003	1/4 Counter Sunk Pipe Plug		1

NOTES **1** INCLUDED WITH PART # 1115-157-238

Note: To determine the correct replacement parts, a measurement of manifold stud spacing and stud size is required. If a measurement is not possible, please record TIREBOSS Serial # (located inside the TIREBOSS Valve box) and contact TPC International.



*Holes must be drilled and tapped in planetary end cap for studs.
Instructions Document
TPC-DAK685 DOC

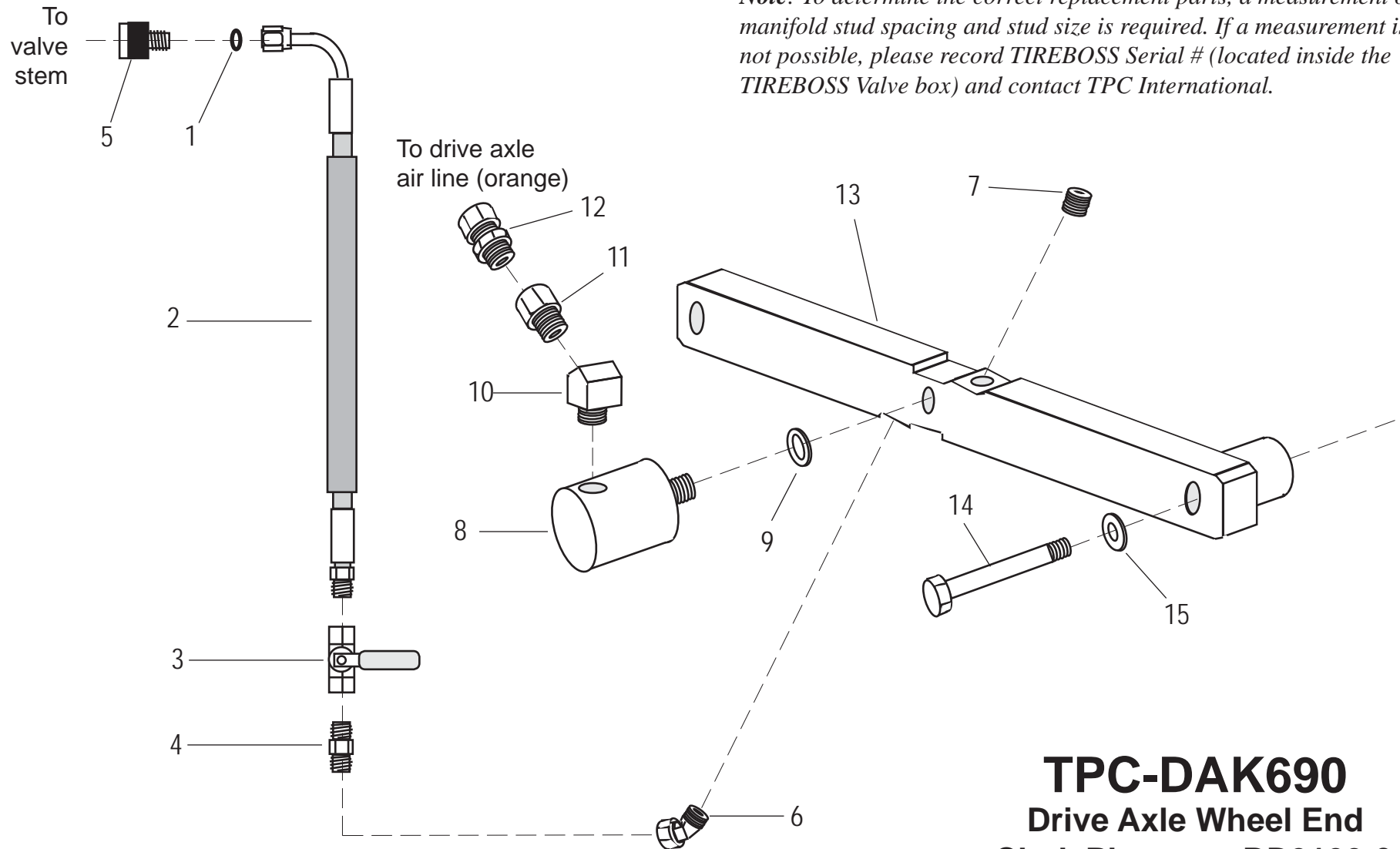
TPC-DAK687 Drive Axle Wheel End Sisu Planetary FR3P-48-S

TPC-DAK687
Drive Axle Wheel End - SISU Planetary-FR3P-48-S

REF NUMBER	ITEM NUMBER	DESCRIPTION	NOTE	PER WHL END
				REQ QTY
1	CT-VSS100	WHEEL END HOSE SEAL	①	1
2	CT-001-HA	WHEEL END HOSE SUPER SINGLE	③	1
3	225-2103	WHEEL END VALVE	③	1
4	225-1022	WHEEL END VALVE NIPPLE	③	1
5	200-0600	VALVE STEM ADAPTER		1
6	244-1124	45o SWIVEL FITTING		1
7	247-003	1/4 PIPE PLUG		1
8	1102-208-210	ROTARY UNION (SHORT)		1
9	1105-070	SEALING WASHER	②	1
10	124-B	BRASS ELBOW 45o		1
11	120-CB	BELL ADAPTER		1
12	1468-10-6	COMPRESSION FITTING		1
13	299-2037	MANIFOLD		1
14	516NCLNG8	LOCK NUT		4
15	516FWSS	STAINLESS STEEL WASHER		4
16	5161NCS	STUD		4

- NOTES**
- ① INCLUDED WITH PART #'s CT-001-HA
 - ② INCLUDED WITH PART # 1102-208-210
 - ③ Items # 2,3 and 4 available as an assembly - Part # CT-HOS-90

Note: To determine the correct replacement parts, a measurement of manifold stud spacing and stud size is required. If a measurement is not possible, please record TIREBOSS Serial # (located inside the TIREBOSS Valve box) and contact TPC International.

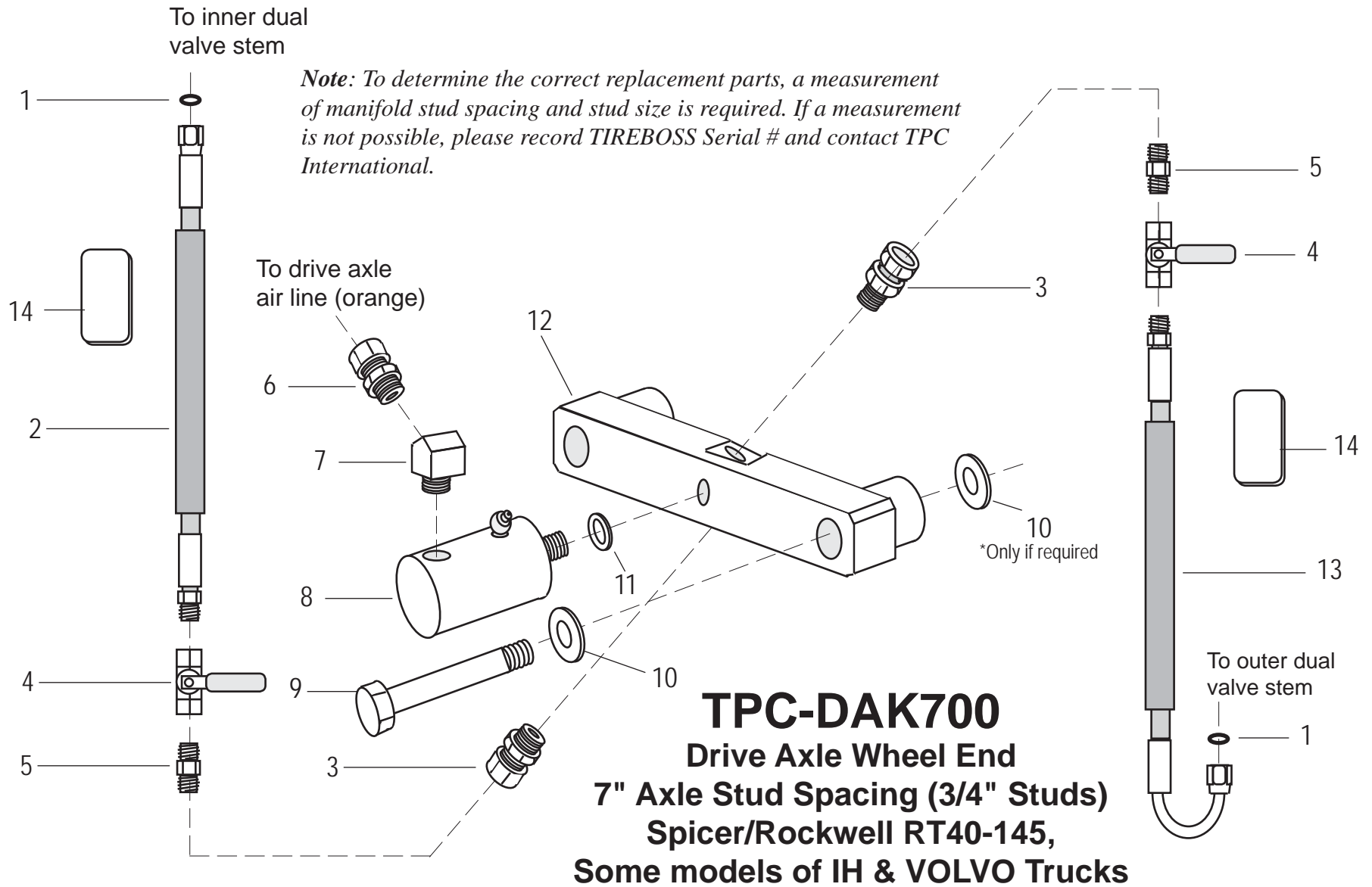


TPC-DAK690 Drive Axle Wheel End Clark Planetary BD9100 & 16T 1937, 71000 BD

**TPC-DAK690
Drive Axle Wheel End - Clark Planetary BD9100**

REF NUMBER	ITEM NUMBER	DESCRIPTION	PER WHL END	
			NOTE	REQ QTY
1	CT-VSS100	WHEEL END HOSE SEAL	①	1
2	CT-001-HA	WHEEL END HOSE SUPER SINGLE	③	1
3	225-2103	WHEEL END VALVE	③	1
4	225-1022	WHEEL END VALVE NIPPLE	③	1
5	200-0600	VALVE STEM ADAPTER		1
6	244-1124	45o SWIVEL FITTING		1
7	247-003	1/4 PIPE PLUG		1
8	1102-208-210	ROTARY UNION (SHORT)		1
9	1105-070	SEALING WASHER	②	1
10	124-B	BRASS ELBOW 45o		1
11	120-CB	BELL ADAPTER		1
12	1468-10-6	COMPRESSION FITTING		1
13	299-2042	MANIFOLD		1
14	9165NCG8	BOLT		2
15	916FWG8	FLAT WASHER		2
16				

- NOTES**
- ① INCLUDED WITH PART #'s CT-001-HA
 - ② INCLUDED WITH PART # 1102-208-210
 - ③ Items # 2,3 and 4 available as an assembly - Part # CT-HOS-90



Note...Drive axle views shown in this section are of most common and current wheel end kits. Various other configurations exist depending upon drive axle model. Contact TPC International for more information and part identification.

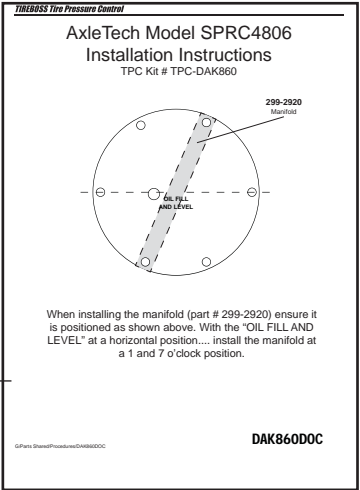
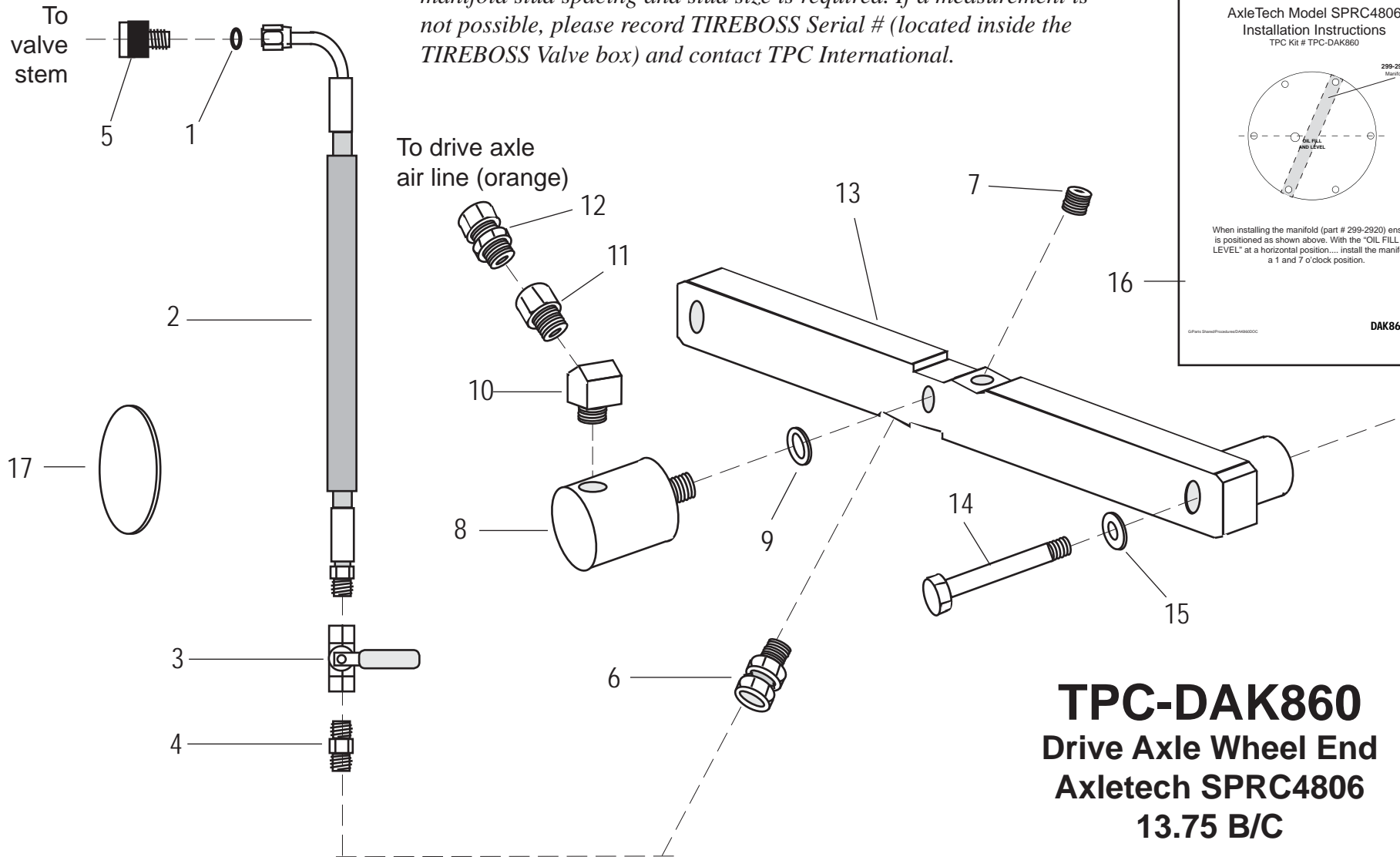
TPC-DAK700

Drive Axle Wheel End - 7" Axle Stud Spacing (3/4" Studs) - Spicer/Rockwell RT40-145, Some models of IH & Volvo trucks

REF NUMBER	ITEM NUMBER	DESCRIPTION	NOTE	PER WHL END
				REQ QTY
1	CT-VSS100	WHEEL END HOSE SEAL	❶	2
2	CT-008-HA	INNER WHEEL END HOSE		1
3	225-1120	MANIFOLD SWIVEL FITTING		2
4	225-2103	WHEEL END VALVE		2
5	225-1022	WHEEL END VALVE NIPPLE		2
6	1468-10-6	COMPRESSON FITTING		
7	124-C	ELBOW		1
8	1115-157-238	ROTARY UNION	❸	1
9	34412NCG8	BOLT		2
10	34FWG8	FLAT WASHER		4
11	1105-070	SEALING WASHER	❷	1
12	299-2888	DRIVE AXLE MANIFOLD (3/4 Studs)		1
13	CT-007-HA	OUTER WHEEL END HOSE		1
14	225-0132	TEFLON WHEEL GUARDS	❹	2

- NOTES**
- ❶ INCLUDED WITH PART #'s CT-007-HA AND CT-008-HA
 - ❷ INCLUDED WITH PART # 1115-157-238
 - ❸ GREASABLE ROTARY UNION. FOR APPROVED ROTARY UNION LUBRICATION USE PART#200-1115(400gTubes)
 - ❹ ADHESIVE GUARD FOR WHEEL END HOSE ATTACHED TO RIM

Note: To determine the correct replacement parts, a measurement of manifold stud spacing and stud size is required. If a measurement is not possible, please record TIREBOSS Serial # (located inside the TIREBOSS Valve box) and contact TPC International.

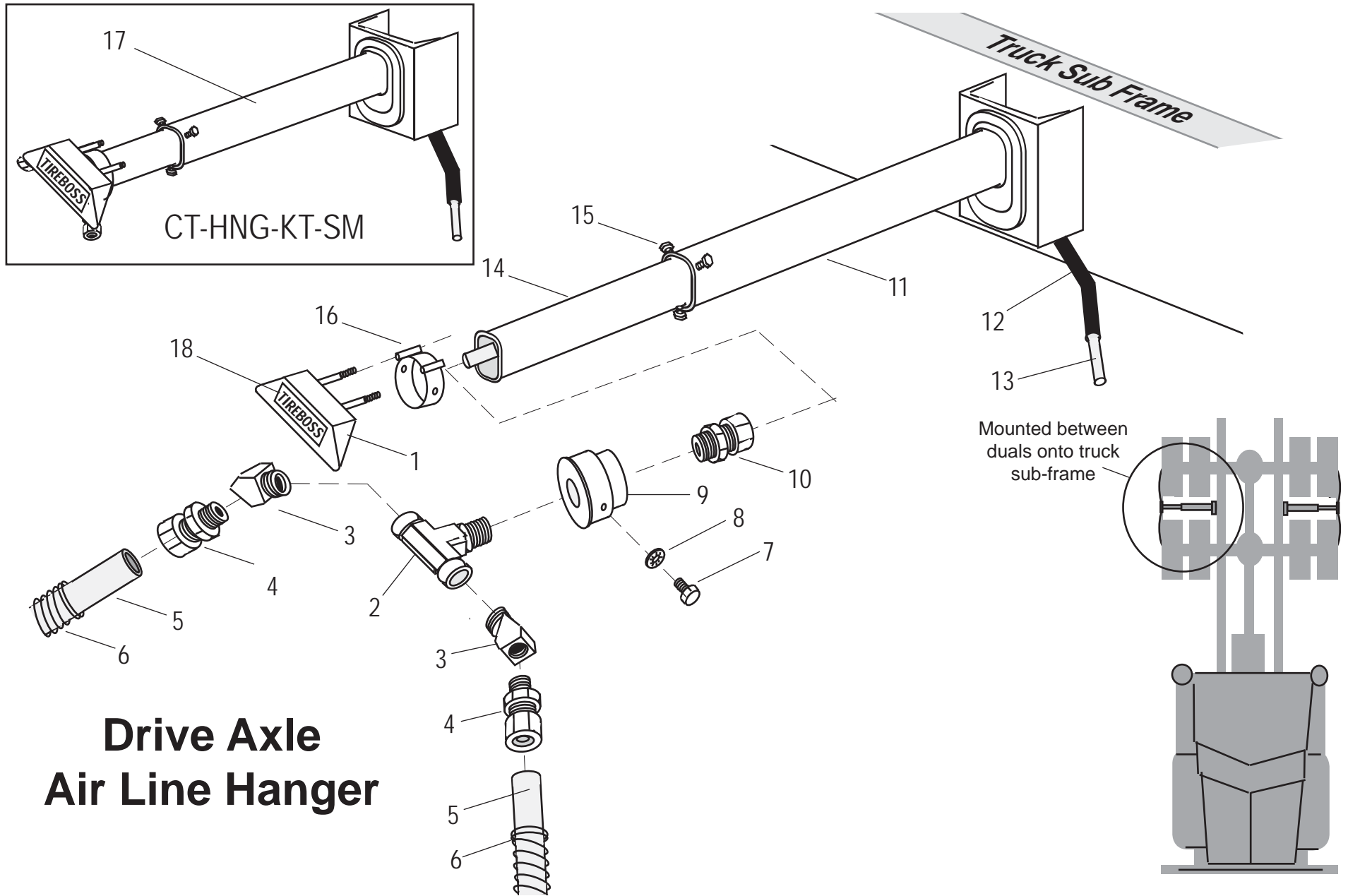


TPC-DAK860
Drive Axle Wheel End
Axletech SPRC4806
13.75 B/C

TPC-DAK860
Drive Axle Wheel End - Axletech SPRC4806 13.75 B/C

REF NUMBER	ITEM NUMBER	DESCRIPTION	NOTE	PER WHL END
				REQ QTY
1	CT-VSS100	WHEEL END HOSE SEAL	③	1
2	CT-122-1-HA	WHEEL END HOSE EXTRA LONG 90	③	1
3	225-2103	WHEEL END VALVE	③	1
4	225-1022	WHEEL END VALVE NIPPLE	③	1
5	202-0600	VALVE STEM ADAPTER		1
6	225-1120	1/4 NPSM SWIVEL x 1/4 MALE NPT		1
7	247-003	1/4 PIPE PLUG		1
8	1102-208-210G	ROTARY UNION (SHORT)		1
9	1105-070	SEALING WASHER	②	1
10	124-B	BRASS ELBOW 45o	①	1
11	120-CB	BELL ADAPTER	①	1
12	1468-10-6	COMPRESSION FITTING	①	1
13	299-2920	MANIFOLD		1
14	12312NCG8	1/2" x 3 1/2" NC Grade 8 BOLT		2
15	12FWG8	1/2" Grade 8 FLAT WASHER		2
16	CT-DAK860DOC	INSTALLATION INSTRUCTION DOCUMENT		1
17	CT-AWG-TF	TEFLON WHEEL GUARDS		1

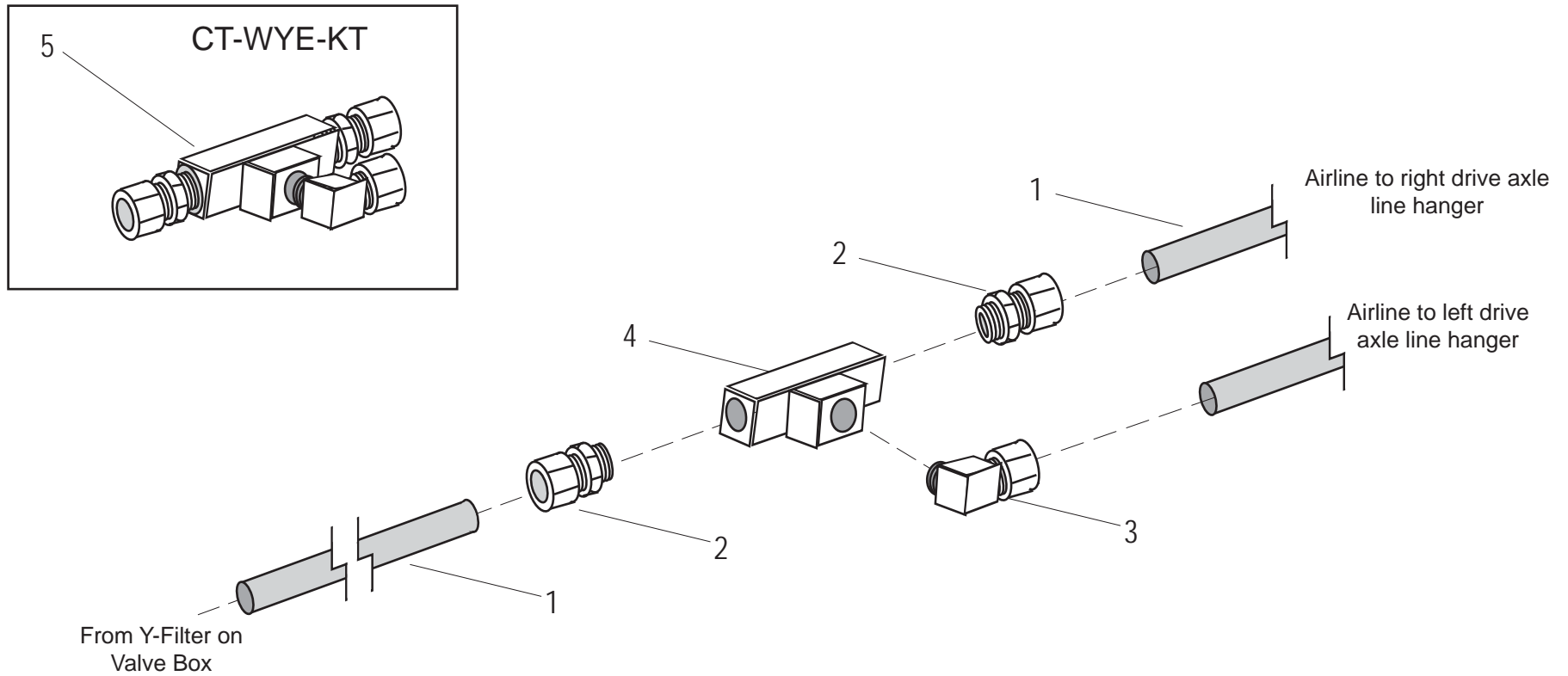
- NOTES**
- ① NOT REQUIRED WHEN USING ARMORED HOSE (Kit #TPC-AHG555)
 - ② INCLUDED WITH PART # 1102-208-210G
 - ③ Items # 2,3 and 4 available as an assembly - Part # CT-HOS-90



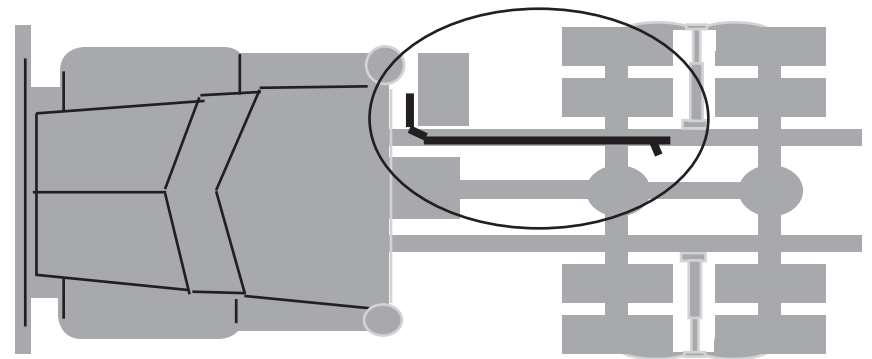
Drive Axle Air Line Hanger

REF NUMBER	ITEM NUMBER	DESCRIPTION	PER HANGER ASM	
			NOTE	REQ QTY
1	265-2710	END GUARD		1
2	3600-6	HANGER TEE	❶	1
3	124-C	ELBOW	❶	2
4	1468-10-6	COMPRESSION FITTING	❶	2
5	265-1485	ORANGE DRIVE AXLE AIRLINE		AS REQ
6	265-0675	AIRLINE SPRING GUARD		AS REQ
7	265-1325	BOLT		2
8	265-2725	INTERNAL TOOTH STAR WASHER		2
9	265-1300	AIR HANGER PLUG ADAPTER	❶	1
10	1468-10-8	COMPRESSION FITTING	❶	1
11	265-1155	BASE PIPE		1
12	65025	TUBING GUARD		AS REQ
13	C70BK	PLASTIC TUBE		AS REQ
14	265-1175	AIR HANGER EXT TUBE		1
15	51612NCSS	BOLT		3
16	265-2711	HANGER GUARD RETAINER		1
17	CT-HNG-KT-SM	ASSEMBLED DRIVE AXLE AIR HANGER WITH AIR LINE	❷	1
18	2102501	3.5 x 1.375 Hanger Guard Decal		1
19				

- NOTES**
- ❶ PART OF REPLACEMENT TEE ASSEMBLY # CT-TEE-KT
 - ❷ ASSEMBLED HANGER COMES WITH APPROXIMATELY 9' OF AIRLINE

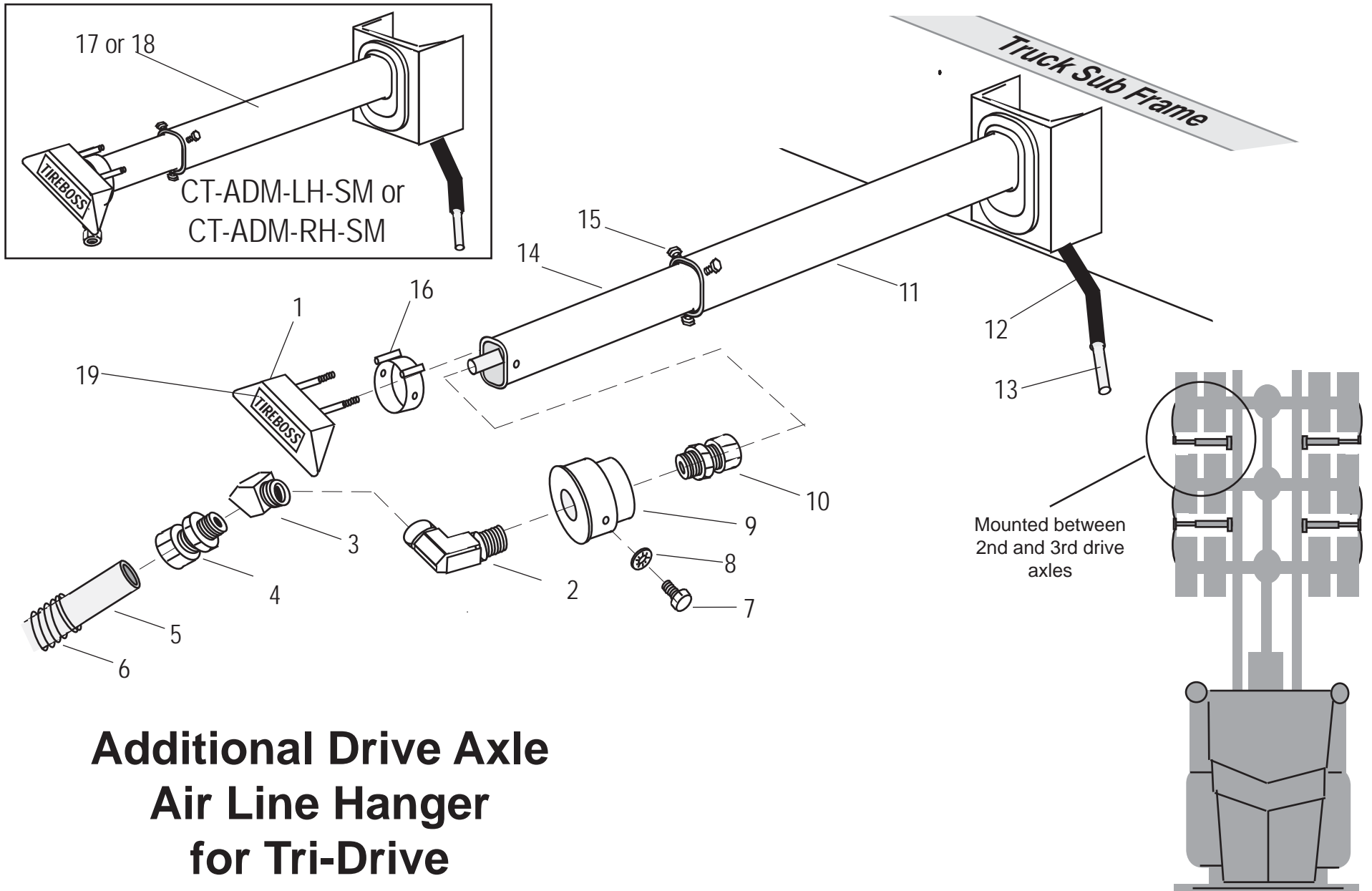


Drive Axle Air Supply Line



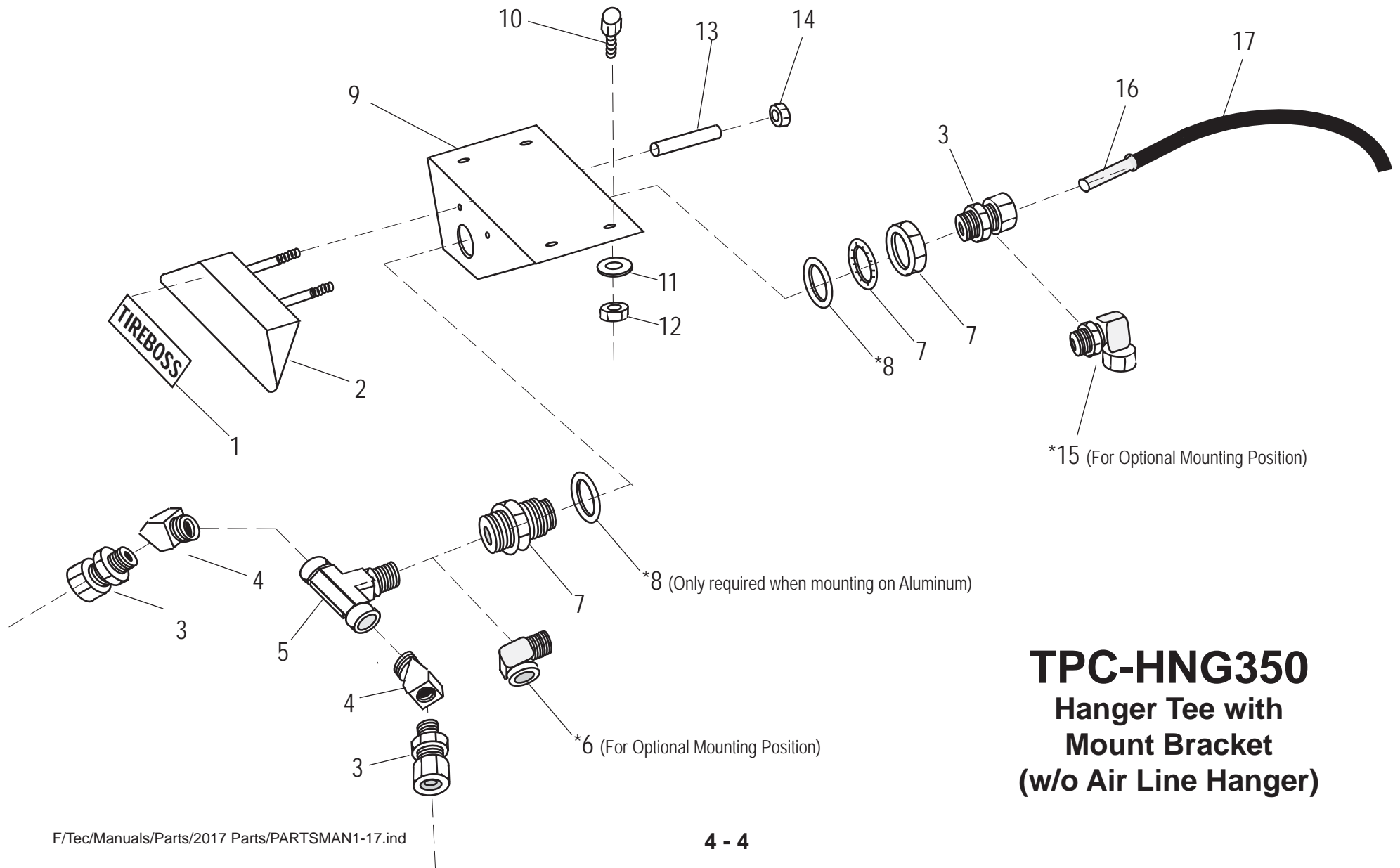
Drive Axle Air Supply

REF NUMBER	ITEM NUMBER	DESCRIPTION	NOTE	REQ QTY
1	C70BK	Plastic Tube		AS REQ
2	1468-10-8	Compression Fitting		2
3	1469-10-8	Compression Fitting- 90		1
4	X101-D	1/2 Tee FPT		1
5	CT-WYE-KT	Wye Assembly		1



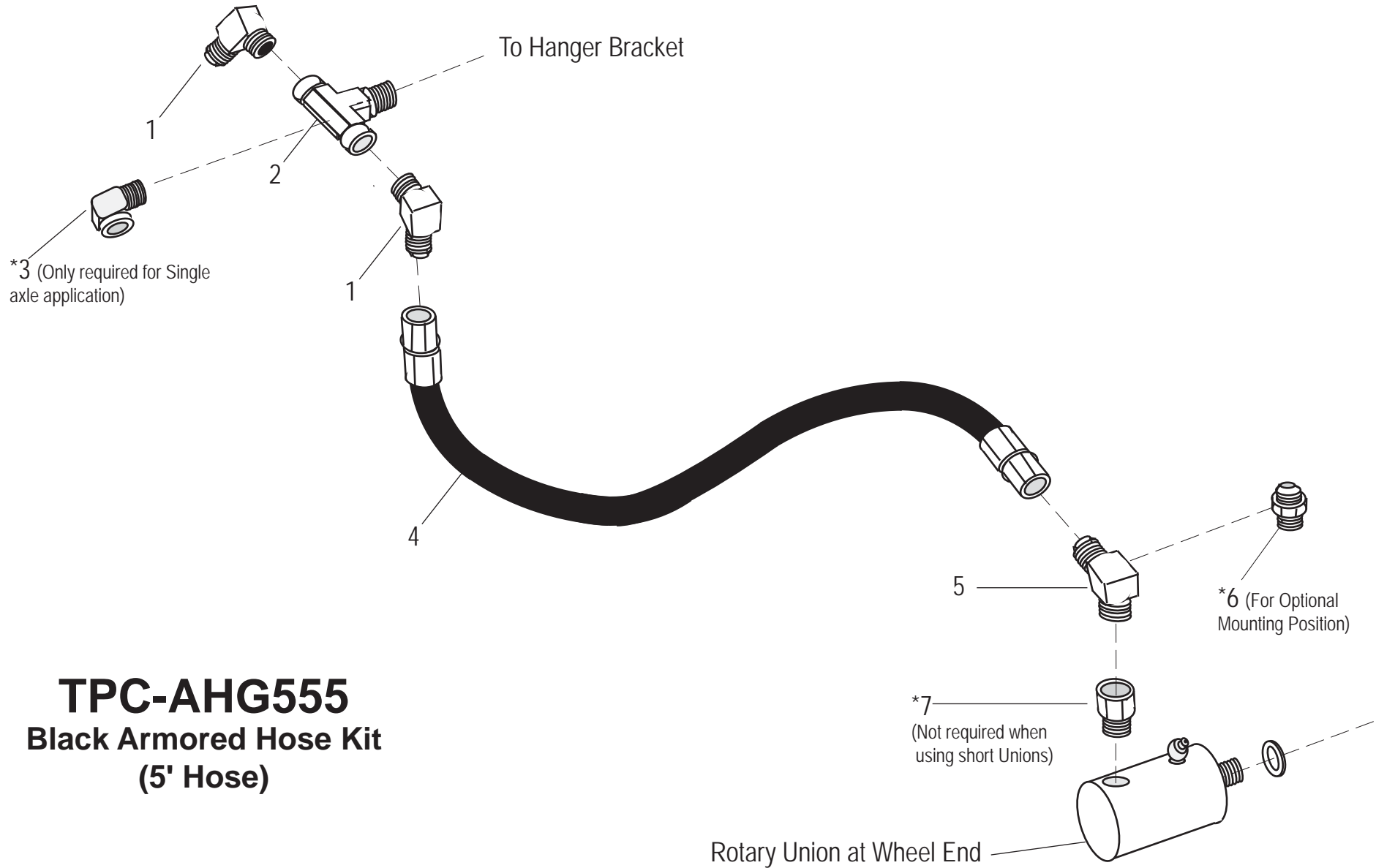
Additional Drive Axle Air Line Hanger for Tri-Drive Truck Only

REF NUMBER	ITEM NUMBER	DESCRIPTION	PER HANGER ASM	
			NOTE	REQ QTY
1	265-2710	END GUARD		1
2	3400-6	HANGER ELBOW		1
3	124-C	ELBOW		1
4	1468-10-6	COMPRESSION FITTING		1
5	265-1485	ORANGE DRIVE AXLE AIRLINE		AS REQ
6	265-0675	AIRLINE SPRING GUARD		AS REQ
7	265-1325	BOLT		2
8	265-2725	INTERNAL TOOTH STAR WASHER		2
9	265-1300	AIR HANGER PLUG ADAPTER		1
10	1468-10-8	COMPRESSION FITTING		1
11	265-1155	BASE PIPE		1
12	65025	TUBING GUARD		AS REQ
13	C70BK	PLASTIC TUBE		AS REQ
14	265-1175	AIR HANGER EXT TUBE		1
15	51612NCSS	BOLT		3
16	265-2711	HANGER GUARD RETAINER		1
17	CT-ADM-LH-SM	DRIVERS SIDE 3RD DRIVE AXLE AIR LINE HANGER		N/A
18	CT-ADM-RH-SM	PASSENGER SIDE 3RD DRIVE AXLE AIR LINE HANGER		N/A
19	210-2501	Hanger Guard Decal		1
20				



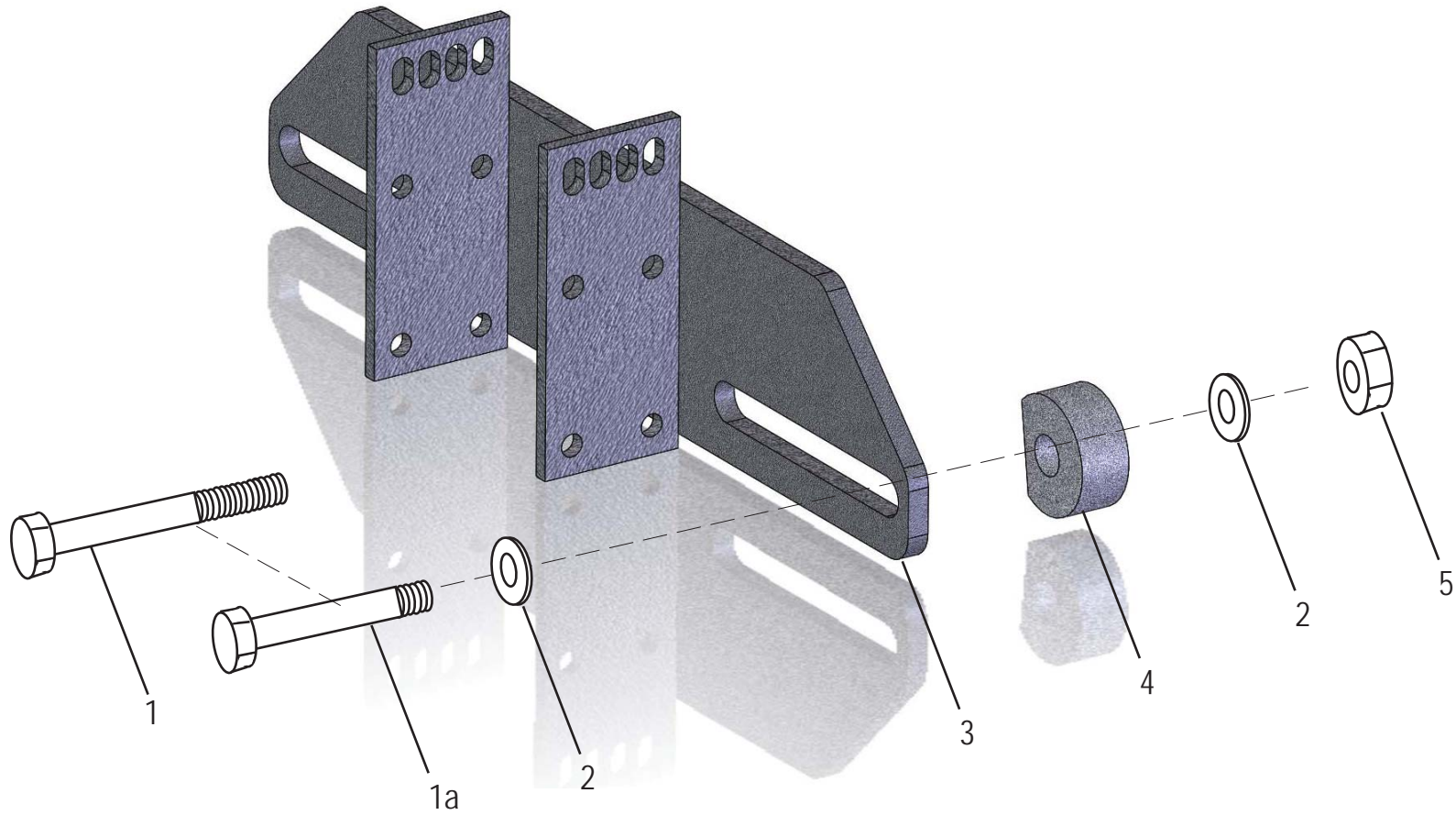
TPC-HNG350 - Hanger Tee with Mount Bracket (w/o Air Line Hanger)

REF NUMBER	ITEM NUMBER	DESCRIPTION	PER HANGER ASM	
			NOTE	REQ QTY
1	210-2501	TIREBOSS HANGER GUARD DECAL		1
2	265-2710	DRIVE AXLE HANGER GUARD		1
3	1468-10-6	5/8 COMPRESSION / 3/8 MALE PIPE		3
4	124C	3/8 / 45 STREET ELBOW		2
5	3600-6	3/8 MALE BRANCH TEE		1
6	3400-6	3/8 / 90 STREET ELBOW (Optional Mounting)		1
7	11307	SHORT FRAME NIPPLE		1
8	200-1210	1" NYLON FLET WASHER (Only required when mounting on Aluminum)		2
9	265-1144	HANGER END MOUNT BRACKET		1
10	516114NC	5/16 BOLT		4
11	516FWSAE	FLAT WASHER		4
12	516NCLNG8	5/16 LOCK NUT		4
13	55300	BRASS BUSHING 1/4" X 3/4"		2
14	14NCLN	1/4"NC LOCK NUT		2
15	1469-10-6	5/8 COMPRESSION / 3/8 MALE PIPE 90 DEGREE (Optional Mounting)		1
16	C70BK	5/8 BLACK PLASTIC AIR LINE		20 FEET
17	65025	3/4 HEATER HOSE		10 FEET
18				



TPC-AHG - Black Armored Hose Kit (5' Hose)

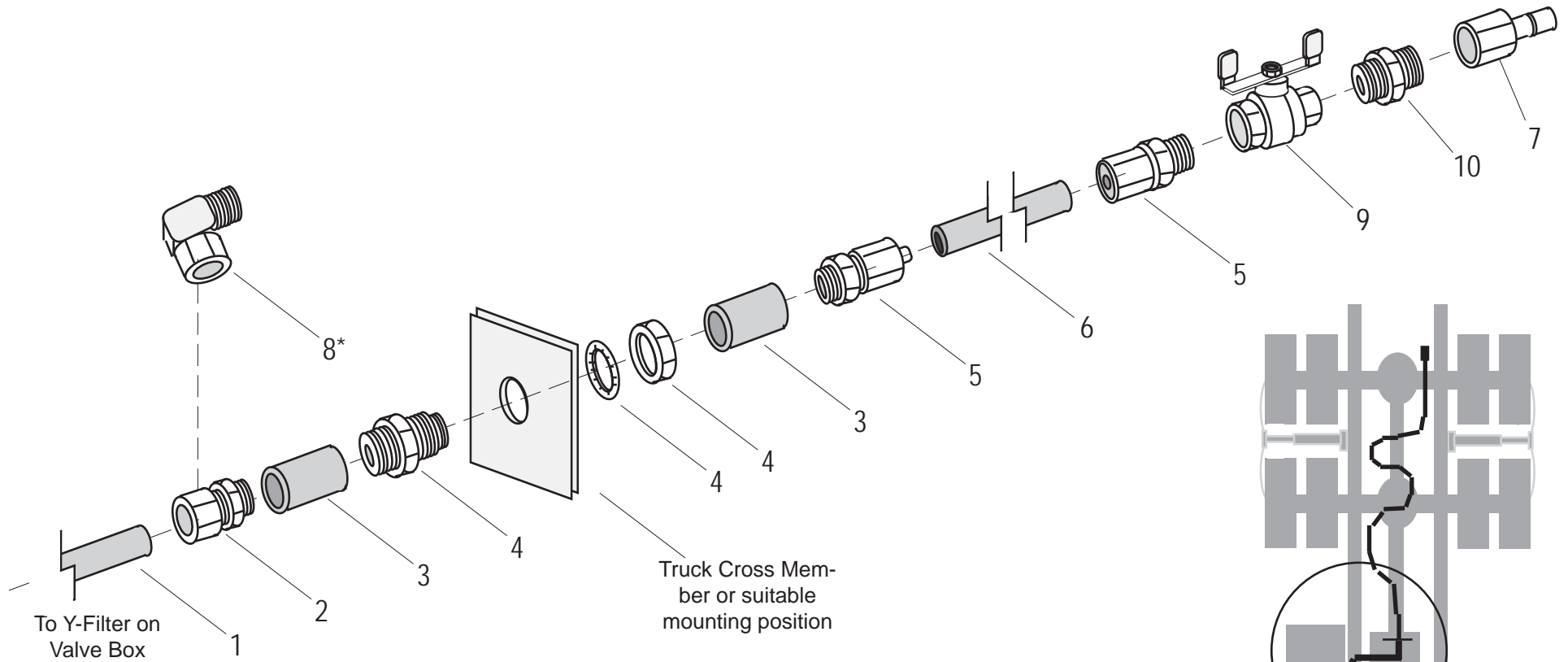
REF NUMBER	ITEM NUMBER	DESCRIPTION	PER HANGER ASM	
			NOTE	REQ QTY
1	268-3754-S	-6 x 3/8 NPT 45 DEGREE Steel Adaptor		2
2	3600-6-S	-6 STEEL TEE		1
3	2089-6-6	-6 ELBOE 90 Degree		2
4	CT-4000-HA-S	5' BLACK HOSE and 2ND FITTING		2
5	3754-6B	3/8JIC X 1/4 NPT 45 Degree		2
6	264-3748	-6 JIC ADAPTOR X 1/4 MALE		2
7	3220-6-4	3/8 X 1/4 BRASS BUSHING		2



TPC-DAH600 **Air Line Hanger** **Mount Plate**

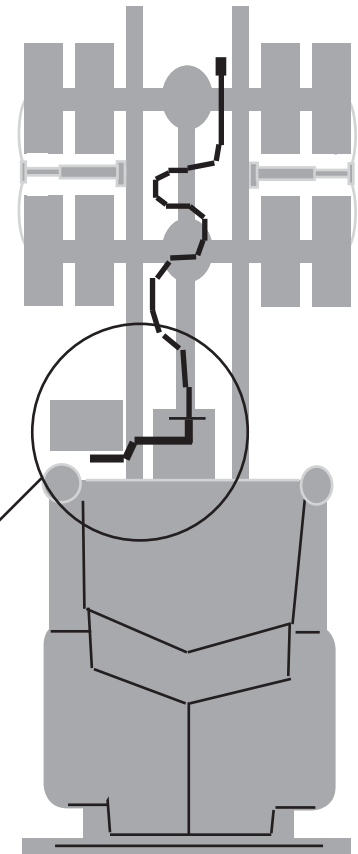
TPC-DAH600 Air Line Hanger Mount Bracket

REF NUMBER	ITEM NUMBER	DESCRIPTION	PER HANGER ASM	
			NOTE	REQ QTY
1	585NCG8	5/8 x 5 NC Grade 8 Bolt (optional depending on installation requirements)		4
1a	584NCG8	5/8 x 4 NC Grade 8 Bolt (optional depending on installation requirements)		4
2	58FWG*	5/8 Flat Washer Grade 8		8
3	265-1149	Air Line Hanger Mount Bracket		2
4	265-3501standoff	Stand off		4
5	58NCLG8	5/8 NC Lock Nut Grade 8 Stover		4



Trailer Main Air Supply Line on Truck

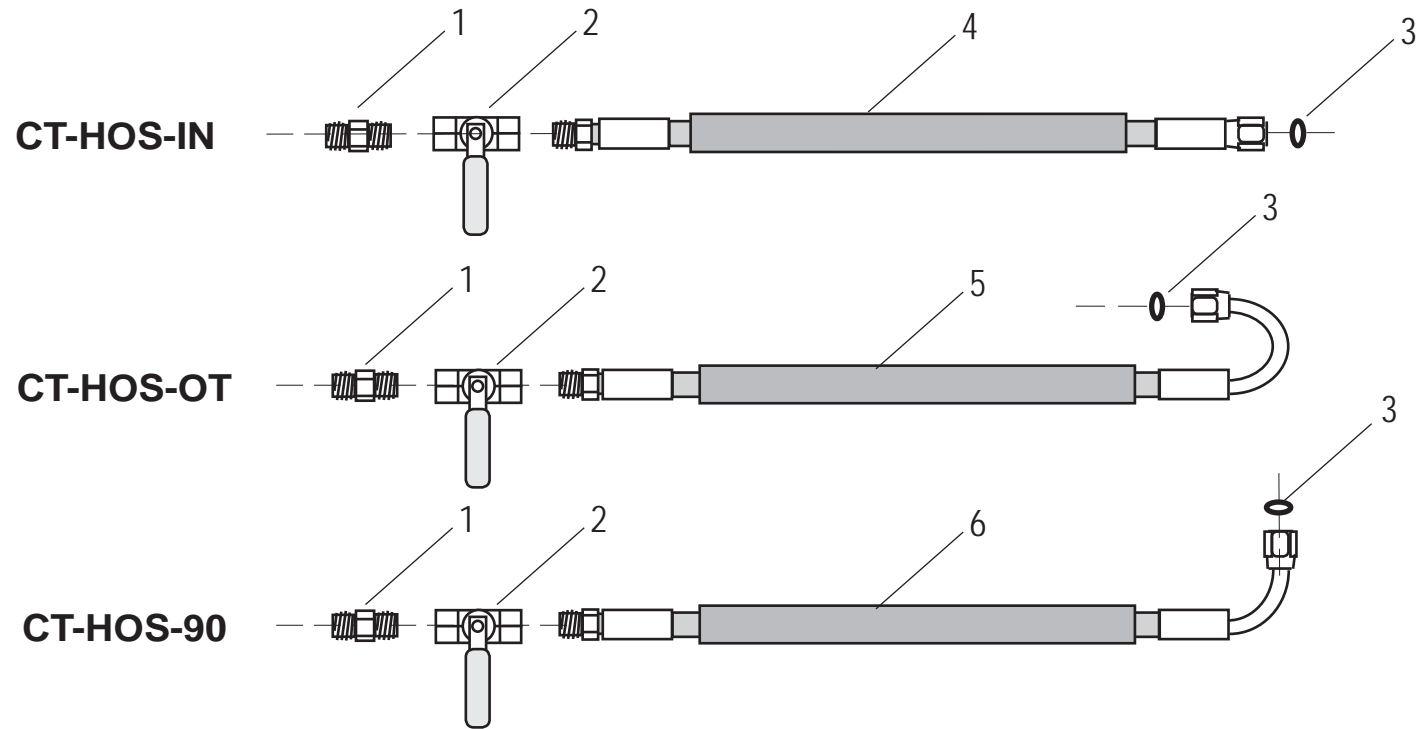
Actual positions of trailer air line quick coupler and hosing may vary per truck



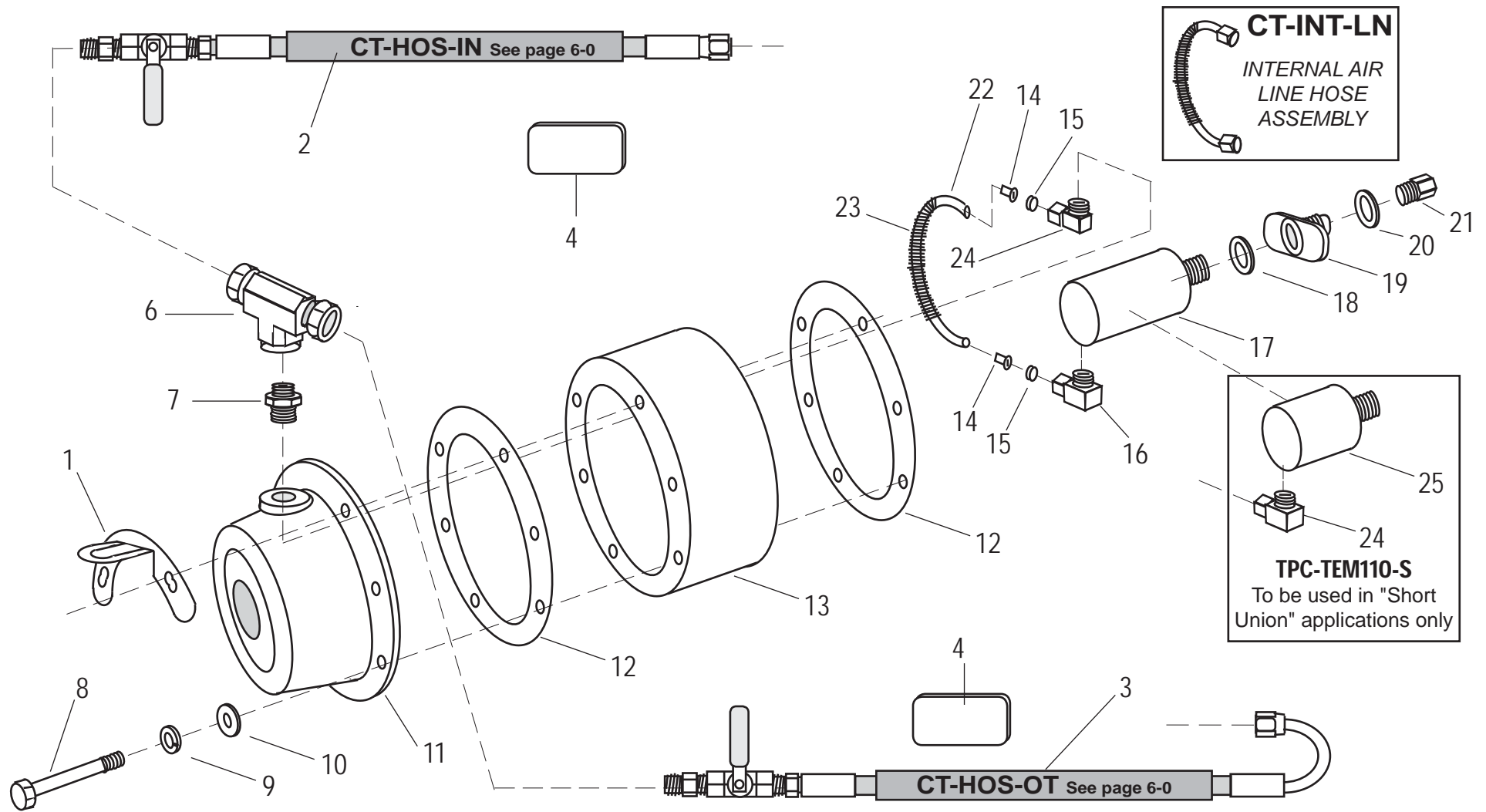
Trailer Main Air Supply Line on Truck

REF NUMBER	ITEM NUMBER	DESCRIPTION	NOTE	REQ QTY
1	C70BK	Plastic Tubing		AS REQ
2	1468-10-8	Compression Fitting		1
3	12WI	Coupler		2
4	11300	Frame Nipple		1
5	124708-108	Reuseable Hose Fitting		2
6	200-1338	Whip Line		AS REQ
7	61-569	Quick Coupler		1
8	1469-10-8	Elbow with Compression Fitting	①	1
9	460L-1/2	Shut Off Valve		1
10	5404-8-8	Brass Nipple		1

NOTES ① Only used if straight compression fitting not appropriate



Hose Assemblies - See specific Wheel End Kit Breakdown for appropriate Hose identification



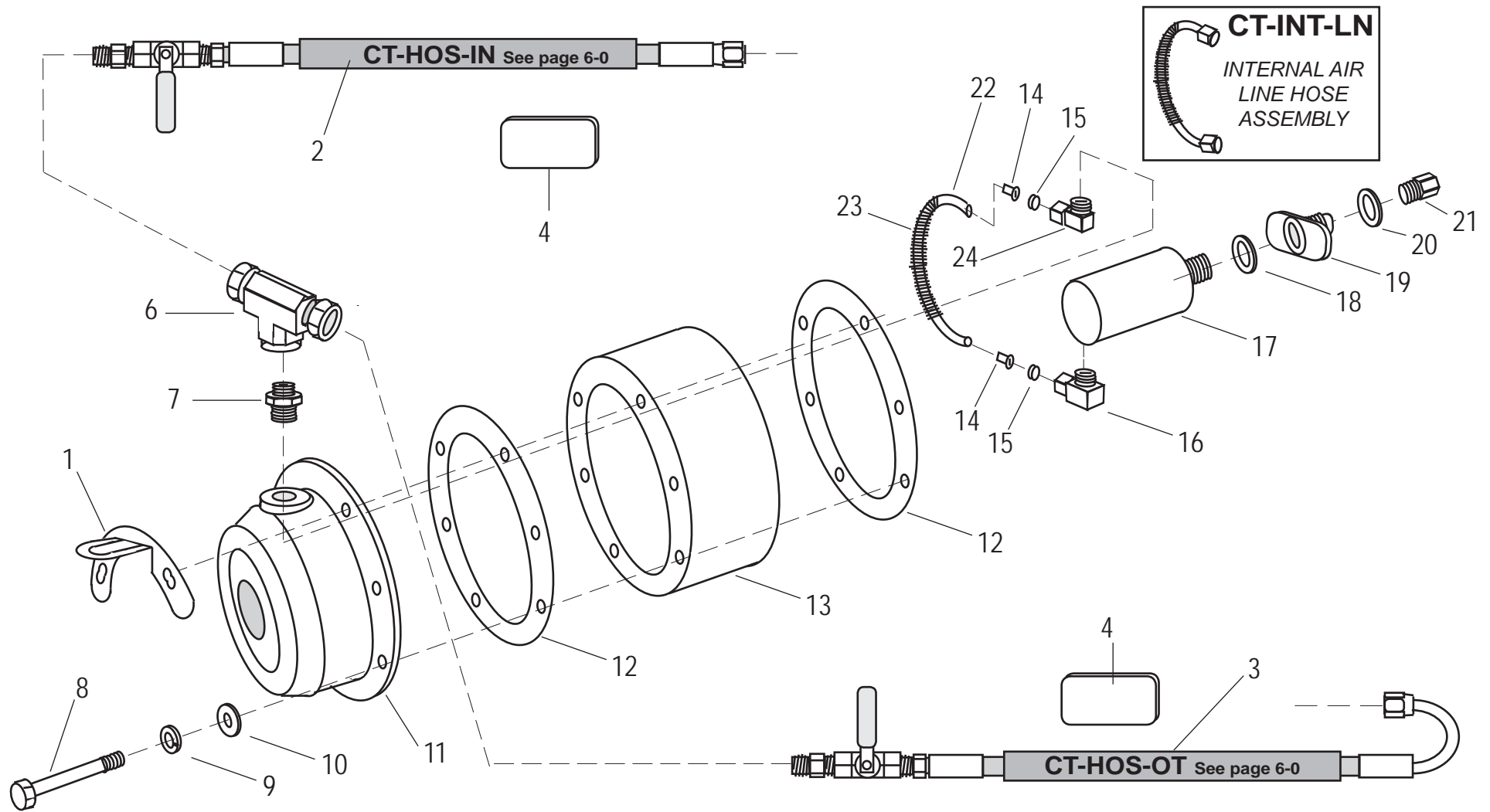
TPC-TEM110 & TPC-TEM110-S (Short Union version) Trailer Wheel End - Solid Spindles

Note...Trailer axle views shown in this section are of most common and current wheel end kits. Various other configurations exist depending upon trailer axle model. Contact TPC International for more information and part identification.

**TPC-TEM110 and TPC-TEM110-S (short union version)
Trailer Wheel End - Solid Spindles**

REF NUMBER	ITEM NUMBER	DESCRIPTION	NOTES	PER WHL END
				REQ QTY
1	225-0950	LOCK TAB		1
2	CT-HOS-IN	INNER WHEEL END HOSE		1
3	CT-HOS-OT	OUTER WHEEL END HOSE		1
4	225-0132	TEFLON WHEEL GUARDS	①	2
5				
6	225-1101	HUB CAP TEE		1
7	225-1025	HUB CAP FITTING		1
8	516414NC	BOLT		6
9	516LW	LOCK WASHER		6
10	516FWSAE	FLAT WASHER		6
11	343-4009	HUB CAP		1
12	330-3009	HUB GASKET		2
13	299-3810	HUB SPACER (5 1/2 BOLT CIRCLE X 3 3/16" WIDTH)		1
14	F65	INSERT		2
15	225-4805	FERRULE		2
16	669-5C	FITTING		1
17	1115-157-238	ROTARY UNION	③	1
18	1105-070	ROTARY UNION SEALING WASHER	②	1
19	1105-100	SPINDLE ADAPTER 7/8 NF EXTERNAL THREAD		1
20	1105-090	SPINDLE ADAPTER SEALING WASHER		1
21	225-1369	FITTING		1
22	12040	INTERNAL AIR LINE		1
23	311-605	INTERNAL AIR LINE GUARD		1
24	169C-5-4	FITTING		1
25	1102-208-210G	SHORT ROTARY UNION with OUTER SEAL		1

- NOTES**
- ① ADHESIVE GUARD FOR WHEEL END HOSE ATTACHED TO RIM
 - ② INCLUDED WITH PART # 1115-157-238 and 1102-208-210G
 - ③ ROTARY UNIONS DO NOT REQUIRE LUBRICATION WHEN USED IN TRAILER WHEEL END APPLICATIONS



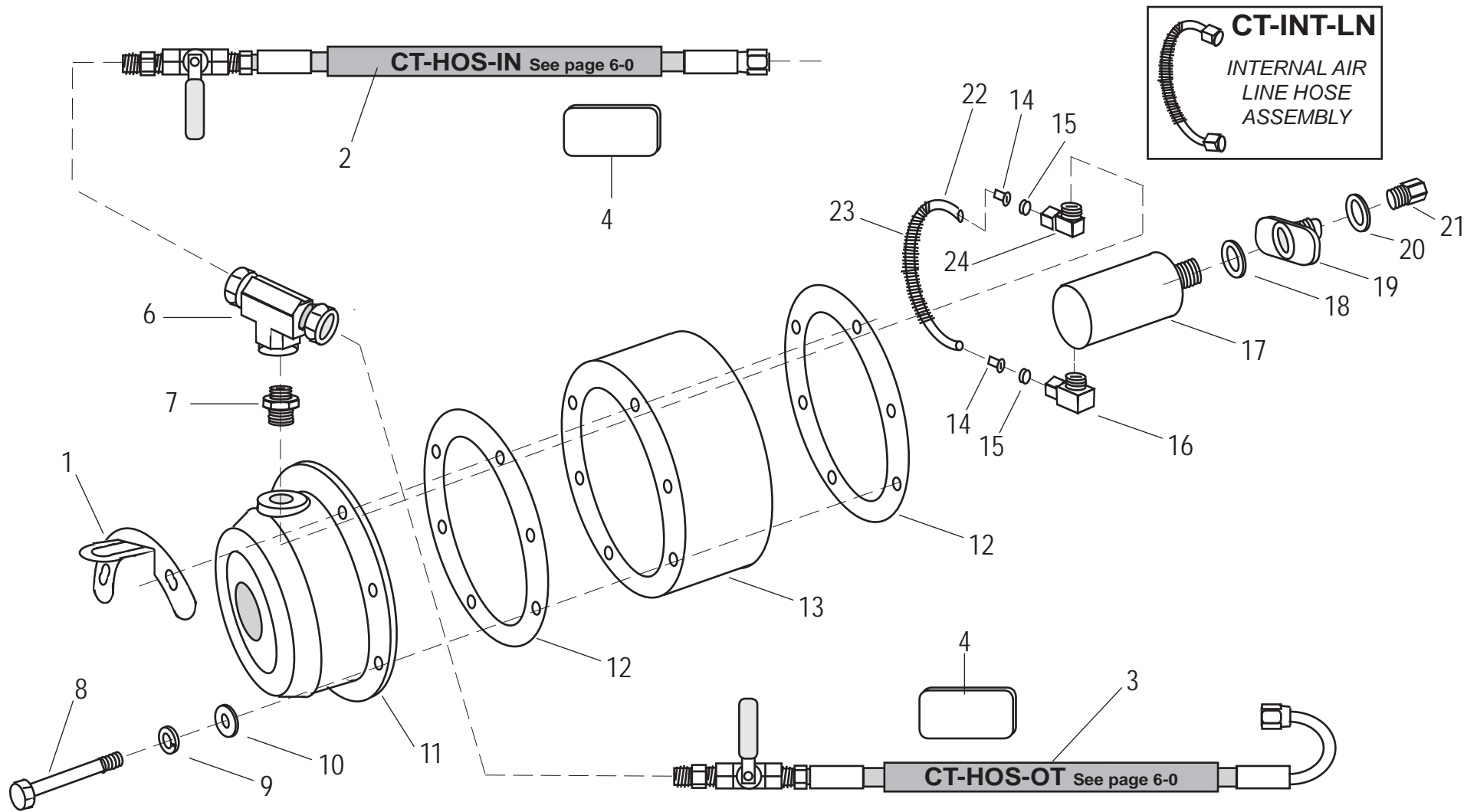
TPC-TEM115 Trailer Wheel End - Solid Spindles- 6" B.C. Stemco Cap

Note... Trailer axle views shown in this section are of most common and current wheel end kits. Various other configurations exist depending upon trailer axle model. Contact TPC International for more information and part identification.

**TPC-TEM115
Trailer Wheel End - Solid Spindles - 6" B.C. Stemco Cap**

REF NUMBER	ITEM NUMBER	DESCRIPTION	NOTES	PER WHL END REQ QTY
1	225-0950	LOCK TAB		1
2	CT-HOS-IN	INNER WHEEL END HOSE		1
3	CT-HOS-OT	OUTER WHEEL END HOSE		1
4	225-0132	TEFLON WHEEL GUARDS	❶	2
5				
6	225-1101	HUB CAP TEE		1
7	225-1025	HUB CAP FITTING		1
8	516414NC	BOLT		6
9	516LW	LOCK WASHER		6
10	516FWSAE	FLAT WASHER		6
11	343-4059	HUB CAP 6" Stemco		1
12	330-3060	HUB GASKET		2
13	299-4059	HUB SPACER		1
14	F65	INSERT		2
15	225-4805	FERRULE		2
16	669-5C	FITTING		1
17	1115-157-238	ROTARY UNION	❷	1
18	1105-070	ROTARY UNION SEALING WASHER	❸	1
19	1105-100	SPINDLE ADAPTER 7/8 NF EXTERNAL THREAD		1
20	1105-090	SPINDLE ADAPTER SEALING WASHER		1
21	225-1369	FITTING		1
22	12040	INTERNAL AIR LINE	❹	1
23	311-605	INTERNAL AIR LINE GUARD		1
24	169C-5-4	FITTING		1
25				

- NOTES**
- ❶ ADHESIVE GUARD FOR WHEEL END HOSE ATTACHED TO RIM
 - ❷ INCLUDED WITH PART # 1115-157-238
 - ❸ CUT TO LENGTH IF REQUIRED
 - ❹ ROTARY UNIONS DO NOT REQUIRE LUBRICATION WHEN USED IN TRAILER WHEEL END APPLICATIONS



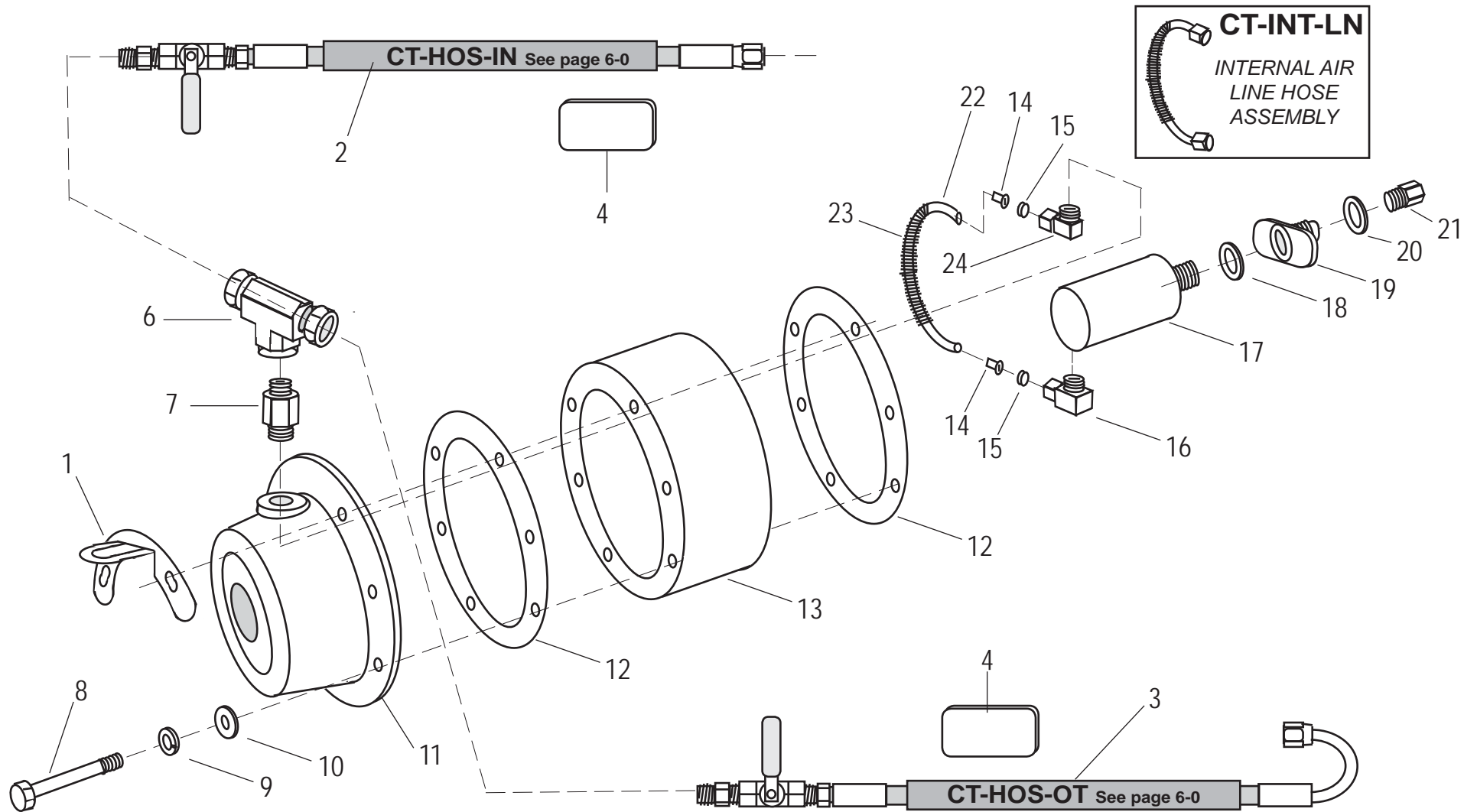
TPC-TEM120 Trailer Wheel End - Solid Spindles - 6 3/4" B.C. Stemco Cap

Note...Trailer axle views shown in this section are of most common and current wheel end kits. Various other configurations exist depending upon trailer axle model. Contact TPC International for more information and part identification.

**TPC-TEM120
Trailer Wheel End - Solid Spindles - 6 3/4" B.C. Stemco Cap**

REF NUMBER	ITEM NUMBER	DESCRIPTION	NOTES	PER WHL END REQ QTY
1	225-0950	LOCK TAB		1
2	CT-HOS-IN	INNER WHEEL END HOSE		1
3	CT-HOS-OT	OUTER WHEEL END HOSE		1
4	225-0132	TEFLON WHEEL GUARDS	①	2
5				
6	225-1101	HUB CAP TEE		1
7	225-1025	HUB CAP FITTING		1
8	516312NC	BOLT		6
9	516LW	LOCK WASHER		6
10	516FWSAE	FLAT WASHER		6
11	343-4195	HUB CAP 6 3/4"Stemco		1
12	330-3118	HUB GASKET		4
13	299-3878	HUB SPACER (2 3/8 WIDE X 6 3/4 BOLT CIRCLE)		1
14	F65	INSERT		2
15	225-4805	FERRULE		2
16	669-5C	FITTING		1
17	1115-157-238	ROTARY UNION	④	1
18	1105-070	ROTARY UNION SEALING WASHER	②	1
19	1105-100	SPINDLE ADAPTER 7/8 NF EXTERNAL THREAD		1
20	1105-090	SPINDLE ADAPTER SEALING WASHER		1
21	225-1369	FITTING		1
22	12040	INTERNAL AIR LINE	③	1
23	311-605	INTERNAL AIR LINE GUARD		1
24	169C-5-4	FITTING		1
25				

- NOTES**
- ① ADHESIVE GUARD FOR WHEEL END HOSE ATTACHED TO RIM
 - ② INCLUDED WITH PART # 1115-157-238
 - ③ CUT TO LENGTH IF REQUIRED
 - ④ ROTARY UNIONS DO NOT REQUIRE LUBRICATION WHEN USED IN TRAILER WHEEL END APPLICATIONS



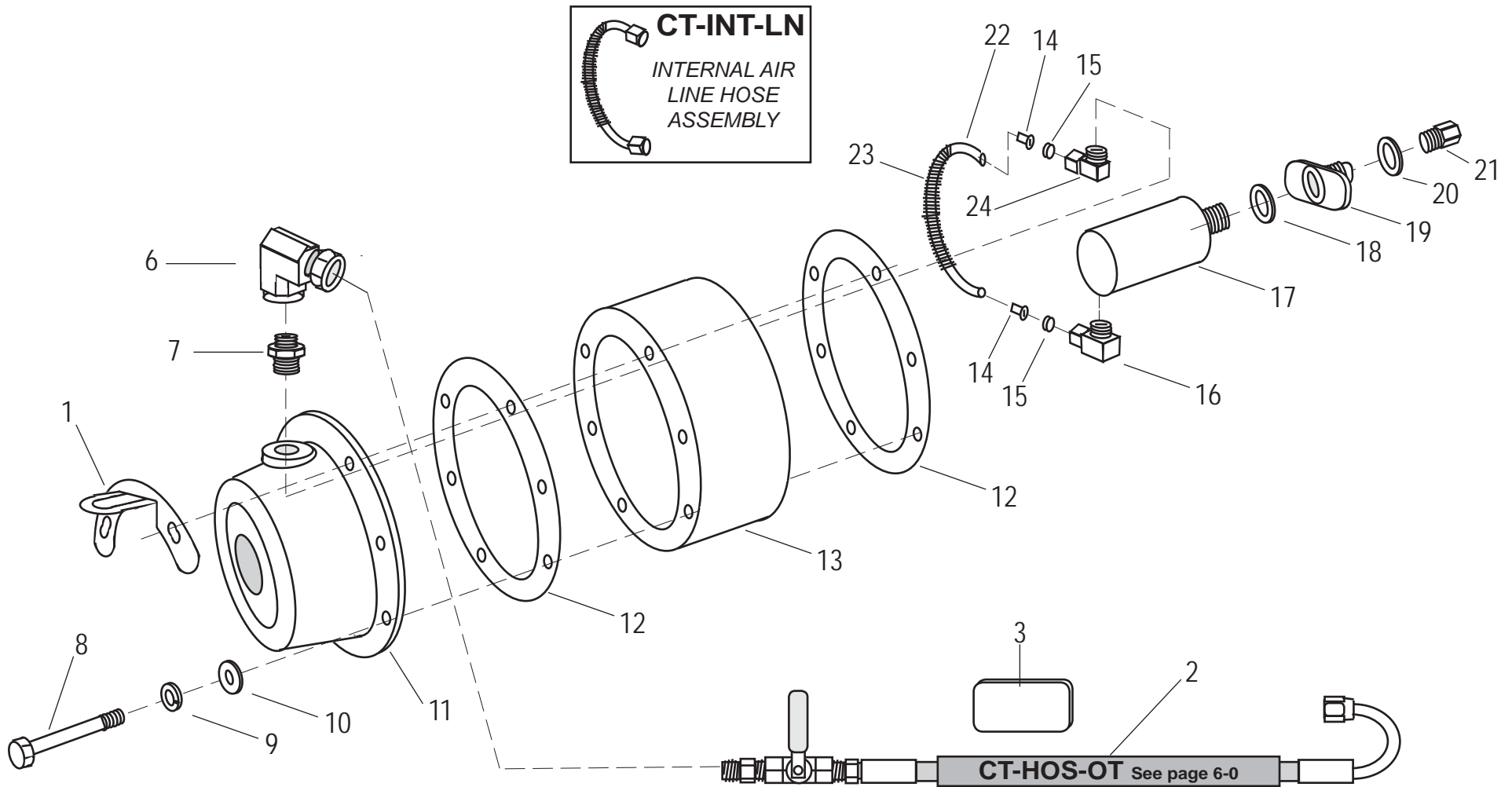
TPC-TEM125 Trailer Wheel End- Solid Spindles - IMT A26

Note...Trailer axle views shown in this section are of most common and current wheel end kits. Various other configurations exist depending upon trailer axle model. Contact TPC International for more information and part identification.

**TPC-TEM125 IMT A26
Trailer Wheel End - Solid Spindles**

REF NUMBER	ITEM NUMBER	DESCRIPTION	NOTES	PER WHL END
				REQ QTY
1	225-0950	LOCK TAB		1
2	CT-HOS-IN	INNER WHEEL END HOSE		1
3	CT-HOS-OT	OUTER WHEEL END HOSE		1
4	225-1368	TEFLON WHEEL GUARDS	①	2
5				
6	225-1101	HUB CAP TEE		1
7	225-0980	HUB CAP FITTING		1
8	38412NC	BOLT		6
9	38LW	LOCK WASHER		6
10	38FWSAE	FLAT WASHER		6
11	343-4064	HUB CAP		1
12	330-3079	HUB GASKET		2
13	299-3880	HUB SPACER (6 3/4 BOLT CIRCLE X 3.375 WIDTH)		1
14	F65	INSERT		2
15	225-4805	FERRULE		2
16	669-5C	FITTING		1
17	1115-157-238	ROTARY UNION	④	1
18	1105-070	ROTARY UNION SEALING WASHER	②	1
19	1105-100	SPINDLE ADAPTER 7/8 NF EXTERNAL THREAD		1
20	1105-090	SPINDLE ADAPTER SEALING WASHER		1
21	225-1369	FITTING		1
22	12040	INTERNAL AIR LINE	③	1
23	311-605	INTERNAL AIR LINE GUARD		1
24	169C-5-4	FITTING		1
25				

- NOTES**
- ① ADHESIVE GUARD FOR WHEEL END HOSE ATTACHED TO RIM
 - ② INCLUDED WITH PART # 1115-157-238
 - ③ CUT TO LENGTH IF REQUIRED
 - ④ ROTARY UNIONS DO NOT REQUIRE LUBRICATION WHEN USED IN TRAILER WHEEL END APPLICATIONS



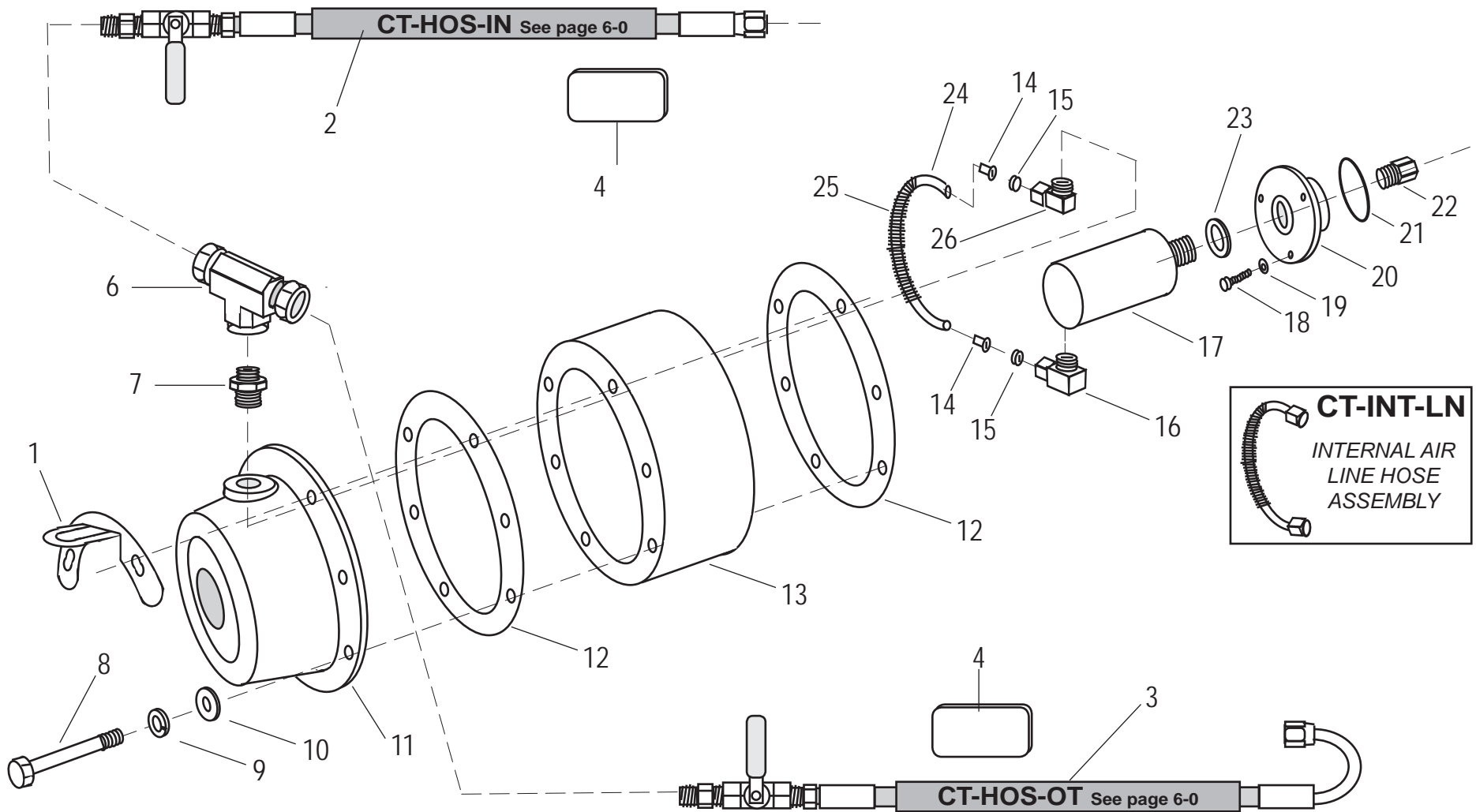
TPC-TEM130 Trailer Wheel End - Super Singles - Solid Spindles

Note...Trailer axle views shown in this section are of most common and current wheel end kits. Various other configurations exist depending upon trailer axle model. Contact TPC International for more information and part identification.

**TPC-TEM130
Trailer Wheel End - Super Singles**

REF NUMBER	ITEM NUMBER	DESCRIPTION	NOTES	PER WHL END
				REQ QTY
1	225-0950	LOCK TAB		1
2	CT-HOS-OT	OUTER WHEEL END HOSE		1
3	225-0132	TEFLON WHEEL GUARDS	①	1
4				
5				
6	225-1100	SWIVEL ELBOW		1
7	225-1025	HUB CAP FITTING		1
8	516414NC	BOLT		6
9	516LW	LOCK WASHER		6
10	516FWSAE	FLAT WASHER		6
11	343-4009	HUB CAP		1
12	330-3009	HUB GASKET		2
13	299-3810	HUB SPACER (5 1/2 BOLT CIRCLE X 3 3/16" WIDTH)		1
14	F65	INSERT		2
15	225-4805	FERRULE		2
16	669-5C	FITTING		1
17	1115-157-238	ROTARY UNION	④	1
18	1105-070	ROTARY UNION SEALING WASHER	②	1
19	1105-100	SPINDLE ADAPTER 7/8 NF EXTERNAL THREAD		1
20	1105-090	SPINDLE ADAPTER SEALING WASHER		1
21	225-1369	FITTING		1
22	12040	INTERNAL AIR LINE	③	1
23	311-605	INTERNAL AIR LINE GUARD		1
24	169C-5-4	FITTING		1

- NOTES**
- ① ADHESIVE GUARD FOR WHEEL END HOSE ATTACHED TO RIM
 - ② INCLUDED WITH PART # 1115-157-238
 - ③ CUT TO LENGTH IF REQUIRED
 - ④ ROTARY UNIONS DO NOT REQUIRE LUBRICATION WHEN USED IN TRAILER WHEEL END APPLICATIONS



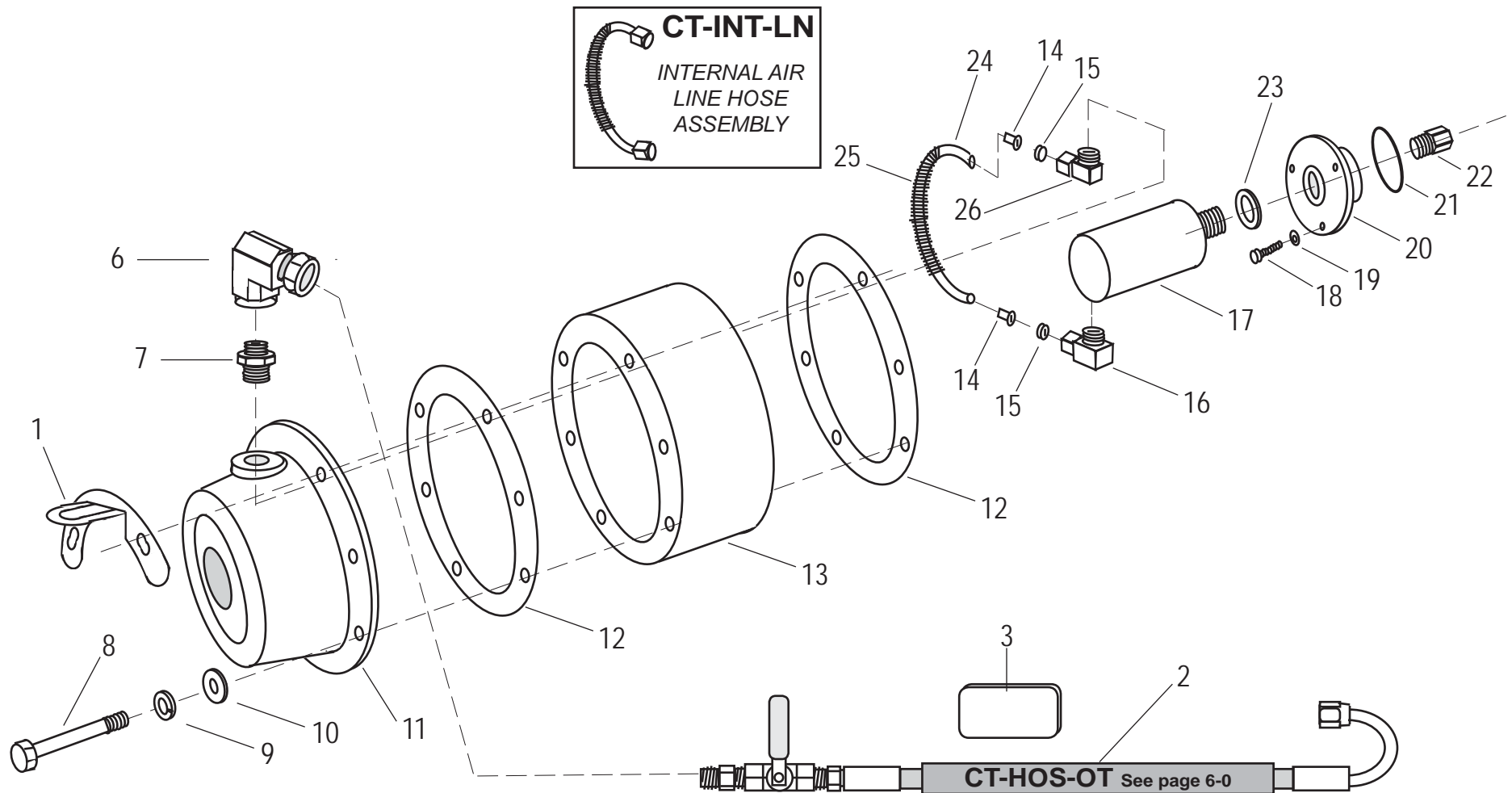
TPC-TEM210 Trailer Wheel End - Hollow Spindles - Ingersol

Note...Trailer axle views shown in this section are of most common and current wheel end kits. Various other configurations exist depending upon trailer axle model. Contact TPC International for more information and part identification.

**TPC-TEM210
Trailer Wheel End - Hollow Spindles Ingersol**

REF NUMBER	ITEM NUMBER	DESCRIPTION	NOTES	REQ QTY
1	225-0950	LOCK TAB		1
2	CT-HOS-IN	INNER WHEEL END HOSE		1
3	CT-HOS-OT	OUTER WHEEL END HOSE		1
4	225-0132	TEFLON WHEEL GUARDS	①	2
5				
6	225-1101	HUB CAP TEE		1
7	225-1025	HUB CAP FITTING		1
8	516414NC	BOLT		6
9	516LW	LOCK WASHER		6
10	516FWSAE	FLAT WASHER		6
11	343-4009	HUB CAP		1
12	330-3009	HUB GASKET		2
13	299-3810	HUB SPACER (5 1/2 BOLT CIRCLE X 3 3/16" WIDTH)		1
14	F65	INSERT		2
15	225-4805	FERRULE		2
16	669-5C	FITTING		1
17	1115-157-238	ROTARY UNION	④	1
18	46035	BOLT		3
19	10LW	LOCK WASHER		3
20	CT-TAP-RB	SPINDLE PLUG ADAPTER 1 7/16" Dia.		1
21	CT-TAP-RBG	O-RING		1
22	225-1369	FITTING		1
23	1105-070	ROTARY UNION SEALING WASHER	②	1
24	12040	INTERNAL AIR LINE	③	1
25	311-605	INTERNAL AIR LINE SPRING GUARD		1
26	169C-5-4	FITTING		1

- NOTES**
- ① ADHESIVE GUARD FOR WHEEL END HOSE ATTACHED TO RIM
 - ② INCLUDED WITH PART # 1115-157-238
 - ③ CUT TO LENGTH IF REQUIRED
 - ④ ROTARY UNIONS DO NOT REQUIRE LUBRICATION WHEN USED IN TRAILER WHEEL END APPLICATIONS



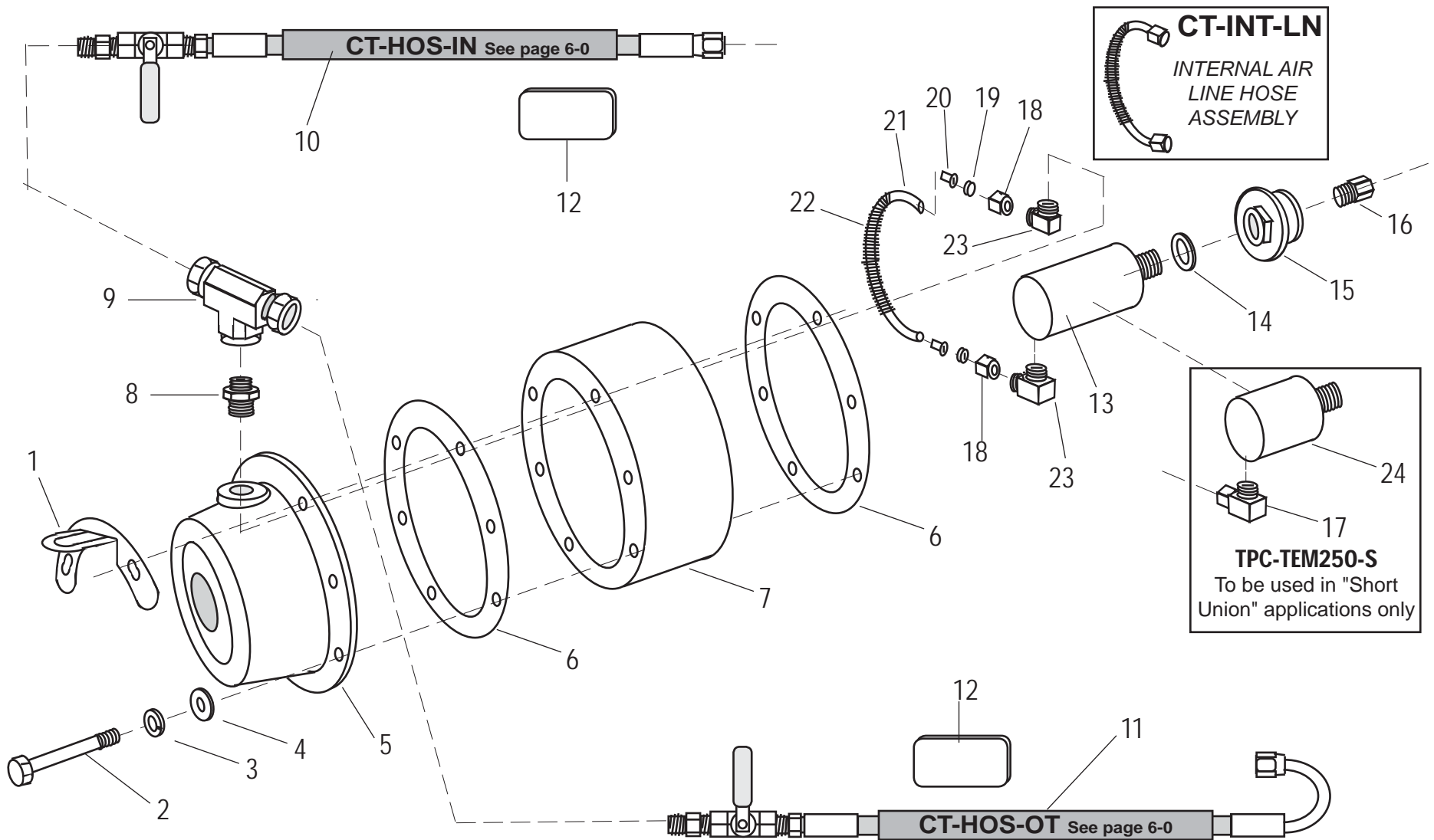
TPC-TEM230 Trailer Wheel End - Hollow Spindles - Ingersol (SuperSingle)

Note...Trailer axle views shown in this section are of most common and current wheel end kits. Various other configurations exist depending upon trailer axle model. Contact TPC International for more information and part identification.

**TPC-TEM230
Trailer Wheel End - Hollow Spindles Ingersol (Super Singles)**

REF NUMBER	ITEM NUMBER	DESCRIPTION	NOTES	REQ QTY
1	225-0950	LOCK TAB		1
2	CT-HOS-OT	OUTER WHEEL END HOSE		1
3	225-0132	TEFLON WHEEL GUARDS	①	1
4				
5				
6	225-1100	SWIVEL ELBOW		1
7	225-1025	HUB CAP FITTING		1
8	516414NC	BOLT		6
9	516LW	LOCK WASHER		6
10	516FWSAE	FLAT WASHER		6
11	343-4009	HUB CAP		1
12	330-3009	HUB GASKET		2
13	299-3810	HUB SPACER (5 1/2 BOLT CIRCLE X 3 3/16" WIDTH)		1
14	F65	INSERT		2
15	225-4805	FERRULE		2
16	669-5C	FITTING		1
17	1115-157-238	ROTARY UNION	④	1
18	46035	BOLT		3
19	10LW	LOCK WASHER		3
20	CT-TAP-RB	SPINDLE PLUG ADAPTER 1 7/16" Dia.		1
21	CT-TAP-RBG	O-RING		1
22	225-1369	FITTING		1
23	1105-070	ROTARY UNION SEALING WASHER	②	1
24	12040	INTERNAL AIR LINE	⑤	1
25	311-605	INTERNAL AIR LINE SPRING GUARD		1
26	169C-5-4	FITTING		1

- NOTES**
- ① INCLUDED WITH PART # CT-007-HA
 - ② INCLUDED WITH PART # 1115-157-238
 - ③ CUT TO LENGTH IF REQUIRED
 - ④ ROTARY UNIONS DO NOT REQUIRE LUBRICATION WHEN USED IN TRAILER WHEEL END APPLICATIONS
 - ⑤ ADHESIVE GUARD FOR WHEEL END HOSE ATTACHED TO RIM

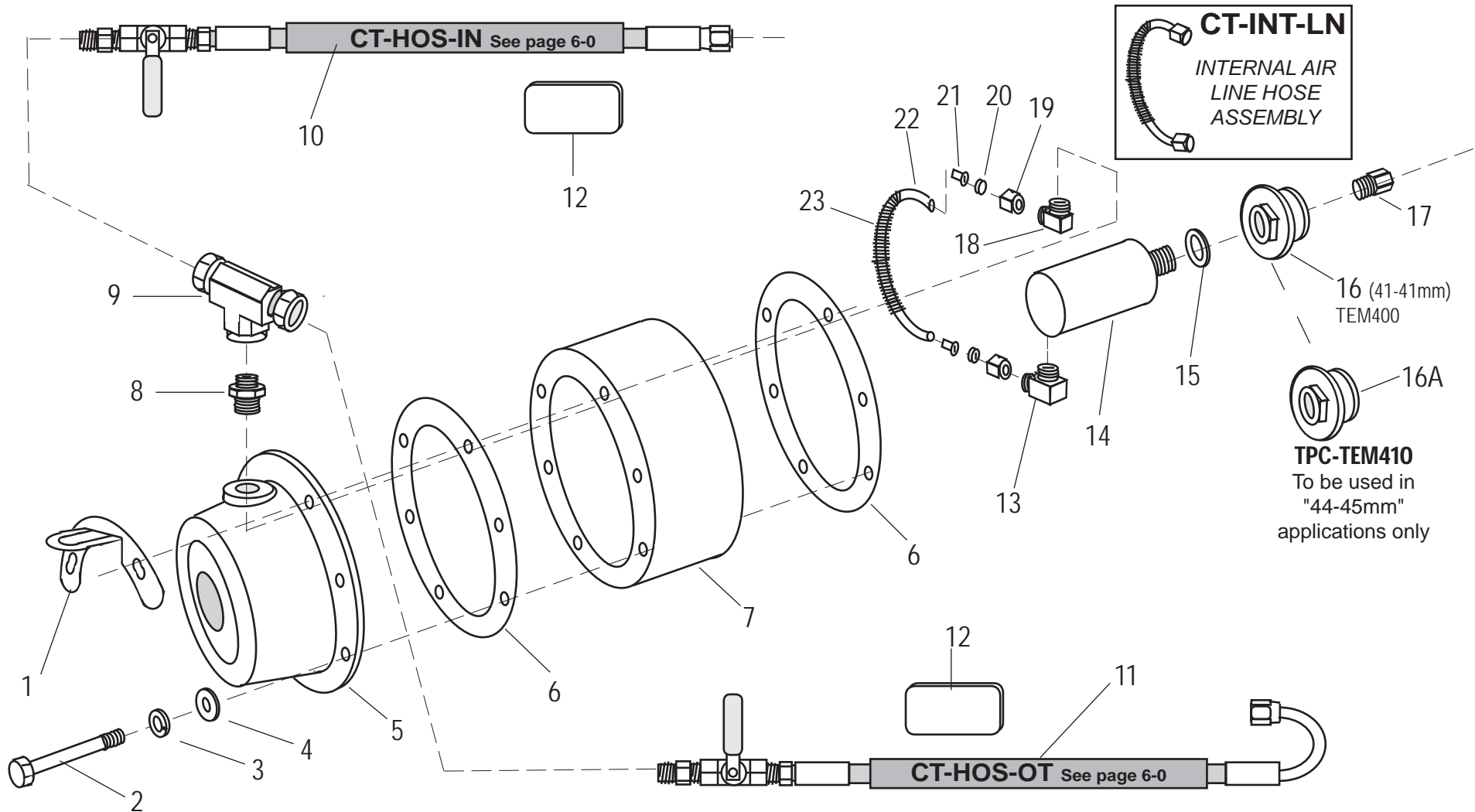


TPC-TEM250 & TPC-TEM250-S (Short Union Version) Trailer Wheel End - Hollow Spindles (Fits 1 7/16" to 1 1/2") 5 1/2" Hub Bolt Circle

TPC-TEM250 and TPC-TEM250-S (Short Union Version)
Trailer Wheel End - Hollow Spindles (Fits 1 7/16" to 1 1/2") 5 1/2" Hub Bolt Circle

REF NUMBER	ITEM NUMBER	DESCRIPTION	NOTES	REQ QTY
1	225-0950	LOCK TAB		1
2	516414NC	BOLT		6
3	516LW	LOCK WASHER		6
4	516FWSAE	FLAT WASHER		6
5	343-4009	HUB CAP		1
6	330-3009	HUB GASKET		2
7	299-3810	HUB SPACER (3" WIDTH)		1
8	225-1025	HUB CAP FITTING		1
9	225-1101	HUB CAP TEE		1
10	CT-HOS-IN	INNER WHEEL END HOSE		1
11	CT-HOS-OT	OUTER WHEEL END HOSE		1
12	CT-AWG-TF	TEFLON WHEEL GUARDS		2
13	1115-157-238	ROTARY UNION	②	1
14	1105-070	ROTARY UNION SEALING WASHER	①	1
15	275-1900A	Spindle End Plug Adaptor - Locking Split Ring (36 37mm)		1
16	225-1369	FITTING		1
17	169C-5-4	FITTING		1
18	661-5	COMPRESSION NUT		2
19	225-4805	FERRULE		2
20	F65	INSERT		2
21	12040	INTERNAL AIR LINE		1
22	311-605	INTERNAL AIR LINE SPRING GUARD		1
23	669-5C	FITTING		1
24	1102-208-210G	SHORT ROTARY UNION (Used in Short Union applications Only)	②	1

- NOTES**
- ① INCLUDED WITH PART # 1115-157-238 and 1102-208-210G
 - ② ROTARY UNIONS DO NOT REQUIRE LUBRICATION WHEN USED IN TRAILER WHEEL END APPLICATIONS



TPC-TEM400 (41-42mm) & TPC-TEM410 (44-45mm)

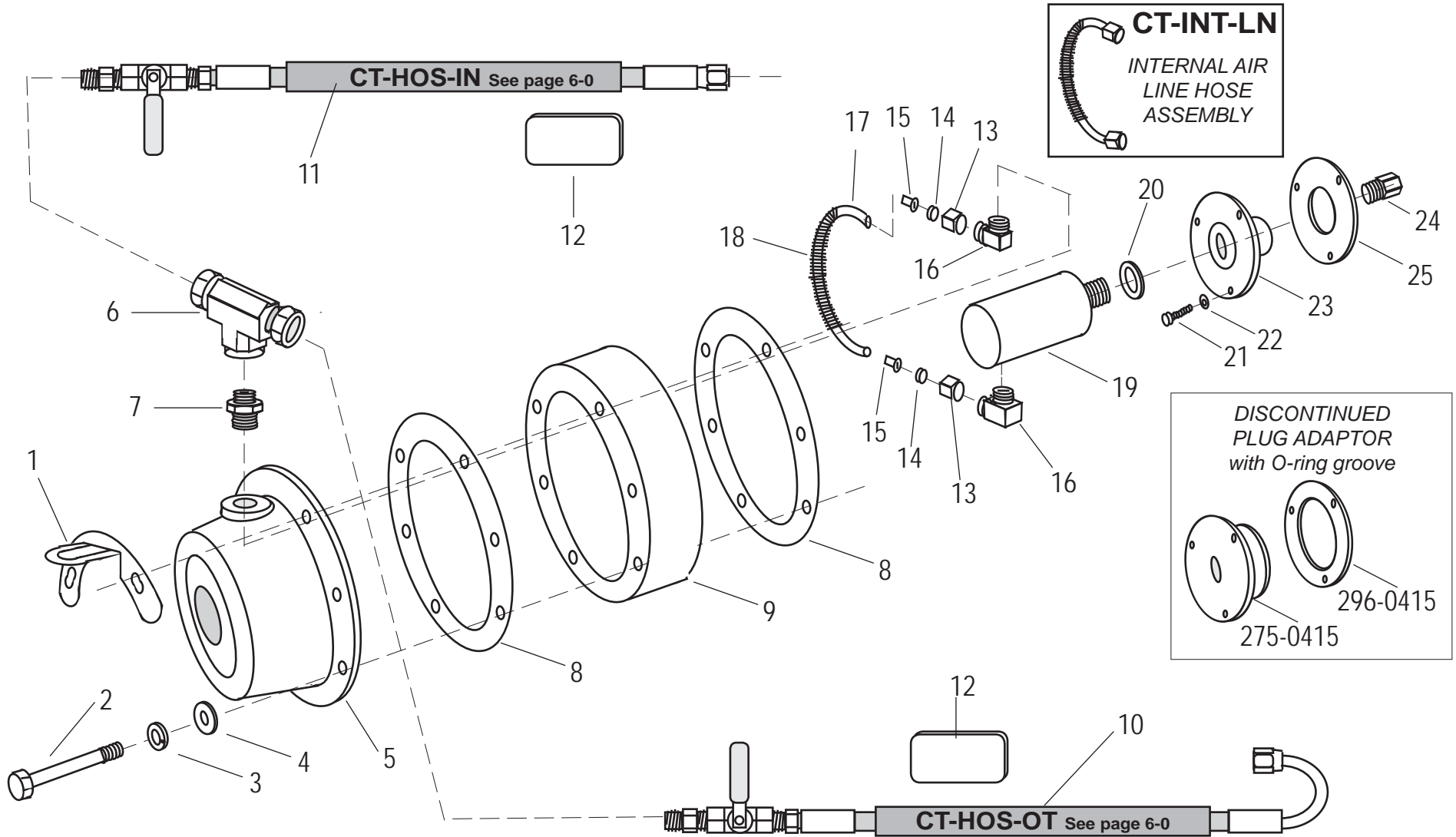
Trailer Wheel End - Hollow Spindles - Intrax HN

Note...Trailer axle views shown in this section are of most common and current wheel end kits. Various other configurations exist depending upon trailer axle model. Contact TPC International for more information and part identification.

**TPC-TEM400 (41-42mm) and TPC-TEM410 (44-45mm)
Trailer Wheel End - Hollow Spindles Intrax HN**

REF NUMBER	ITEM NUMBER	DESCRIPTION	NOTES	REQ QTY
1	225-0950	LOCK TAB		1
2	516414NC	BOLT		6
3	516LW	LOCK WASHER		6
4	516FWSAE	FLAT WASHER		6
5	343-4009	HUB CAP		1
6	330-3009	HUB GASKET		2
7	299-3810	HUB SPACER (5 1/2 BOLT CIRCLE X 3 3/16" WIDTH)		1
8	225-1025	HUB CAP FITTING		1
9	225-1101	HUB CAP TEE		1
10	CT-HOS-IN	INNER WHEEL END HOSE		1
11	CT-HOS-OT	OUTER WHEEL END HOSE		1
12	225-0132	TEFLON WHEEL GUARDS	①	2
13	669-5C	FITTING		1
14	1115-157-238	ROTARY UNION	③	1
15	1105-070	ROTARY UNION SEALING WASHER	②	1
16	275-1500A	Spindle End Plug Adaptor - Locking Split Ring (41 - 42 mm)		1
16A	275-1800A	Spindle End Plug Adaptor - Locking Split Ring (44 - 45mm)		1
17	225-1369	FITTING		1
18	169C-5-4	FITTING		1
19	661-5	COMPRESSION NUT		2
20	225-4805	FERRULE		2
21	F65	INSERT		2
22	12040	INTERNAL AIR LINE		1
23	311-605	INTERNAL AIR LINE SPRING GUARD		1

- NOTES**
- ① ADHESIVE GUARD FOR WHEEL END HOSE ATTACHED TO RIM
 - ② INCLUDED WITH PART # 1115-157-238
 - ③ ROTARY UNIONS DO NOT REQUIRE LUBRICATION WHEN USED IN TRAILER WHEEL END APPLICATIONS



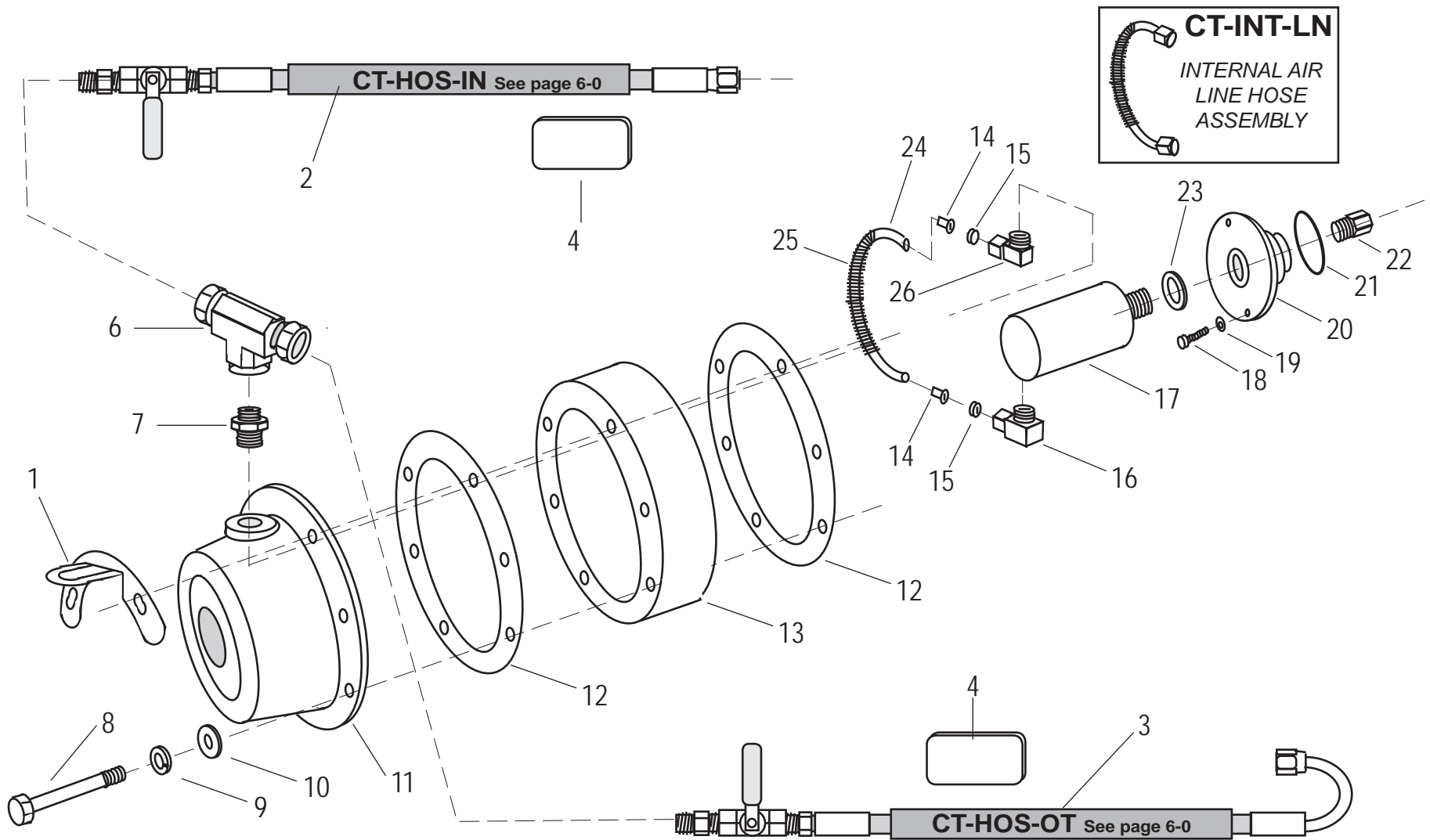
TPC-TEM415 Trailer Wheel End - Intraax Hollow Axle - Propar Style - 6 3/4" Bolt Circle Hub Caps

Note...Trailer axle views shown in this section are of most common and current wheel end kits. Various other configurations exist depending upon trailer axle model. Contact TPC International for more information and part identification.

**TPC-TEM415
Trailer Wheel End - Intraax Hollow Axle - Propar Style**

REF NUMBER	ITEM NUMBER	DESCRIPTION	NOTES	REQ QTY
1	225-0950	LOCK TAB		1
2	516312NC	BOLT		6
3	516LW	LOCK WASHER		6
4	516FWSAE	FLAT WASHER		6
5	343-4195	HUB CAP		1
6	225-1101	HUB CAP TEE		1
7	225-1025	HUB CAP FITTING		1
8	330-3118	HUB GASKET		4
9	299-3878	HUB SPACER (6 3/4 BOLT CIRCLE X 2 1/4" WIDTH)		1
10	CT-HOS-OT	OUTER WHEEL END HOSE ASSEMBLY		1
11	CT-HOS-IN	INNER WHEEL END HOSE ASSEMBLY		1
12	225-0132	TEFLON WHEEL GUARDS	①	2
13	169C-5-4	FITTING		1
14	225-4805	FERRULE		2
15	F65	INSERT		2
16	669-5C	FITTING		1
17	12040	INTERNAL AIR LINE	③	1
18	311-605	INTERNAL AIR LINE SPRING GUARD		1
19	1115-157-238	ROTARY UNION	④	1
20	1105-070	ROTARY UNION SEALING WASHER	②	1
21	46035	BOLT		3
22	10LW	LOCK WASHER		3
23	275-1517	SPINDLE PLUG ADAPTER (2.738 O.D.)		1
24	225-1369	FITTING		1
25	296-1517	GASKET		1

- NOTES**
- ① ADHESIVE GUARD FOR WHEEL END HOSE ATTACHED TO RIM
 - ② INCLUDED WITH PART # 1115-157-238
 - ③ CUT TO LENGTH IF REQUIRED
 - ④ ROTARY UNIONS DO NOT REQUIRE LUBRICATION WHEN USED IN TRAILER WHEEL END APPLICATIONS



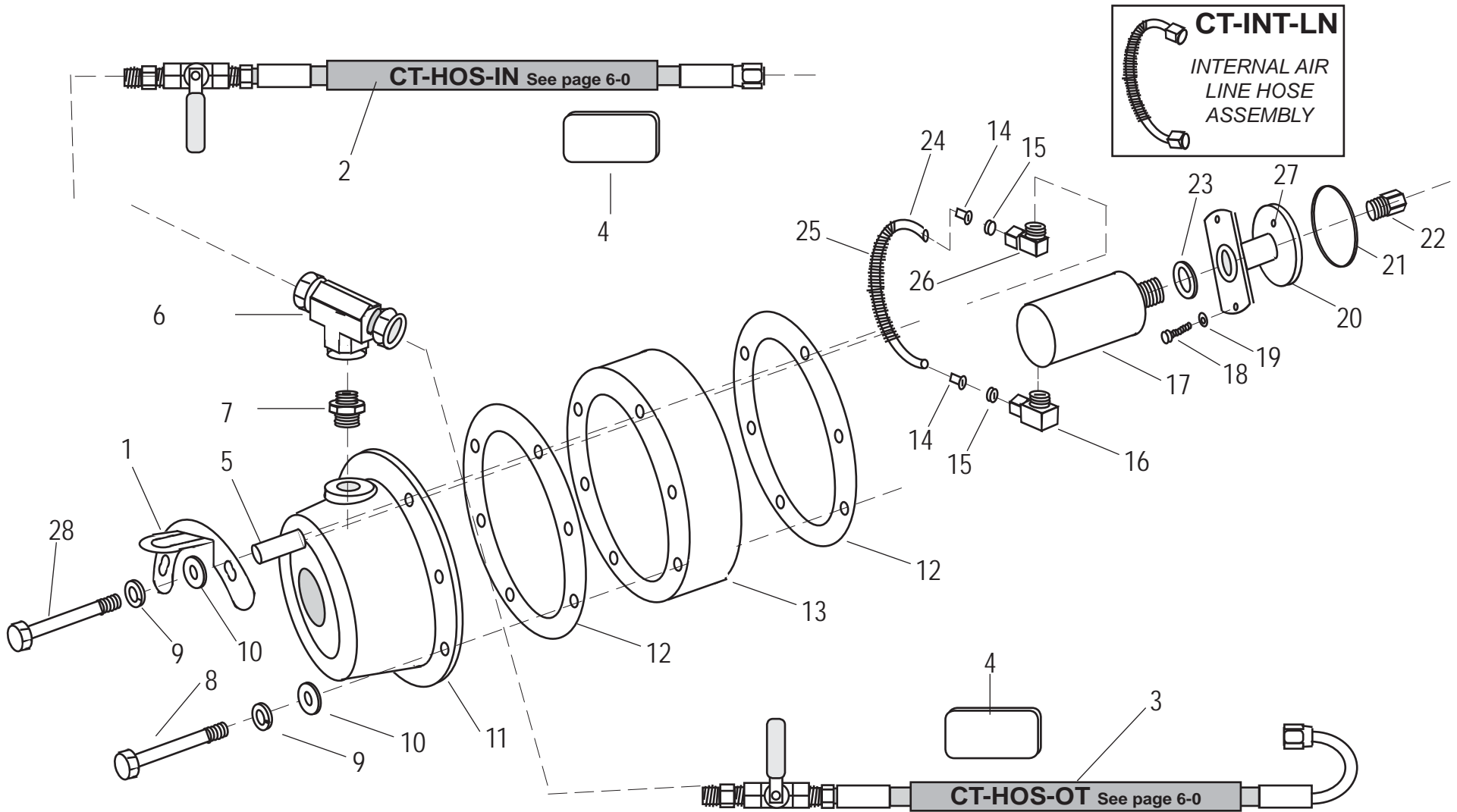
TPC-TEM420 Trailer Wheel End - Intraax Hollow Axle - Propar Style - 6 3/4" Bolt Circle Hub Caps

Note...Trailer axle views shown in this section are of most common and current wheel end kits. Various other configurations exist depending upon trailer axle model. Contact TPC International for more information and part identification.

**TPC-TEM420
Trailer Wheel End - Intraax Hollow Axle - Propar Style**

REF NUMBER	ITEM NUMBER	DESCRIPTION	NOTES	REQ QTY
1	225-0950	LOCK TAB		1
2	CT-HOS-IN	INNER WHEEL END HOSE		1
3	CT-HOS-OT	OUTER WHEEL END HOSE		
4	225-0132	TEFLON WHEEL GUARDS	①	2
5				
6	225-1101	HUB CAP TEE		1
7	225-1025	HUB CAP FITTING		1
8	516312NC	BOLT		6
9	516LW	LOCK WASHER		6
10	516FWSAE	FLAT WASHER		6
11	343-4195	HUB CAP		1
12	330-3118	HUB GASKET		2
13	299-3878	HUB SPACER (6 3/4 BOLT CIRCLE X 2 1/4" WIDTH)		1
14	F65	INSERT		2
15	225-4805	FERRULE		2
16	669-5C	FITTING		1
17	1115-157-238	ROTARY UNION	④	1
18	46035	BOLT		2
19	10LW	LOCK WASHER		2
20	275-0420	SPINDLE PLUG ADAPTER (2.738 O.D.)		1
21	16000-230	O-RING		1
22	225-1369	FITTING		1
23	1105-070	ROTARY UNION SEALING WASHER	②	1
24	12040	INTERNAL AIR LINE	③	1
25	311-605	INTERNAL AIR LINE SPRING GUARD		1
26	169C-5-4	FITTING		1

- NOTES**
- ① ADHESIVE GUARD FOR WHEEL END HOSE ATTACHED TO RIM
 - ② INCLUDED WITH PART # 1115-157-238
 - ③ CUT TO LENGTH IF REQUIRED
 - ④ ROTARY UNIONS DO NOT REQUIRE LUBRICATION WHEN USED IN TRAILER WHEEL END APPLICATIONS



TPC-TEM421 Trailer Wheel End - Hollow Axle - Propar Style - 6 3/4" B/C Hub Cap with Castelated Nut

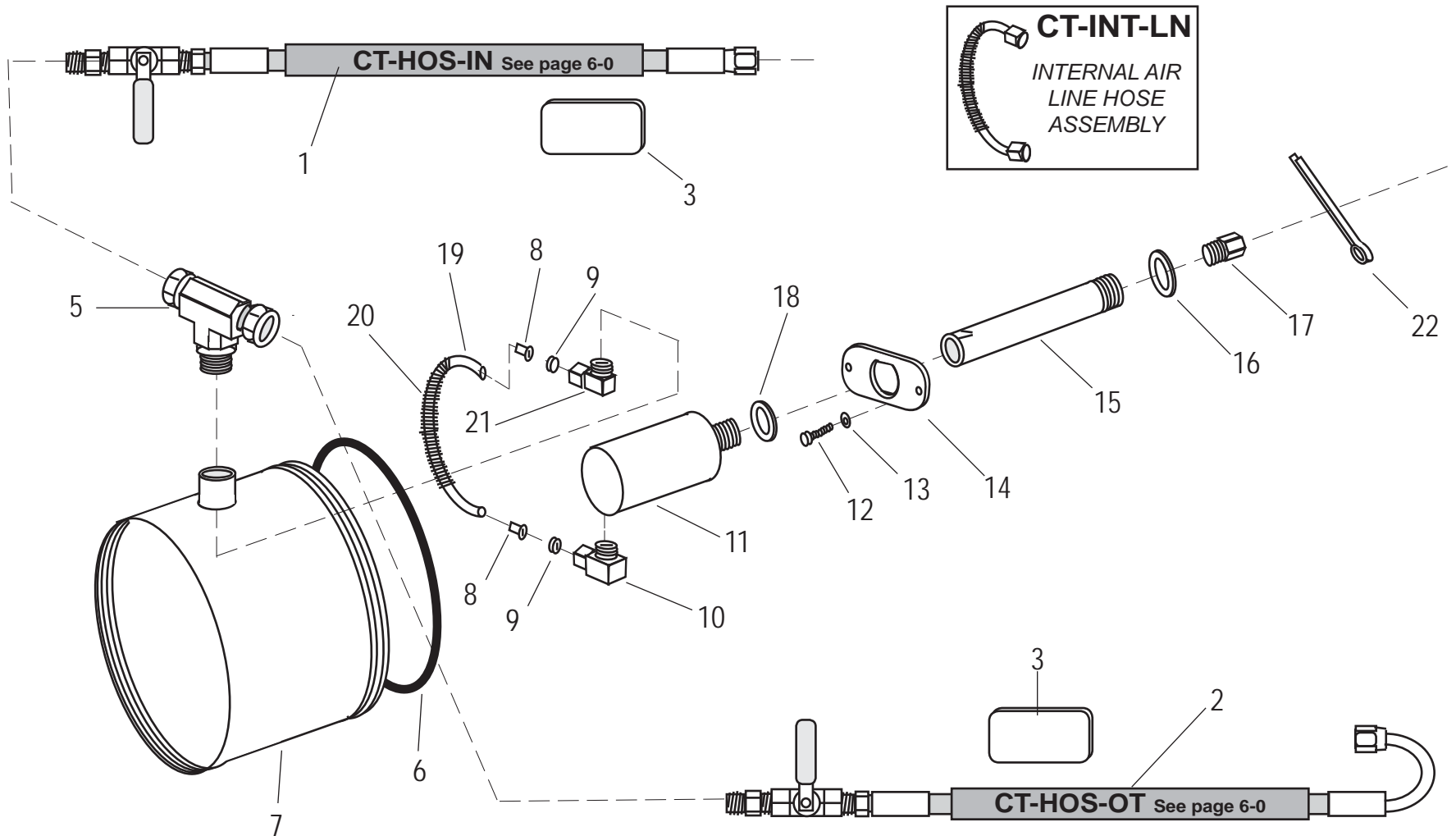
Note...Trailer axle views shown in this section are of most common and current wheel end kits. Various other configurations exist depending upon trailer axle model. Contact TPC International for more information and part identification.

TPC-TEM421

Trailer Wheel End - Intraax Hollow Axle - Propar Style 6 3/4" B/C Hub Cap with Castelated Nut

REF NUMBER	ITEM NUMBER	DESCRIPTION	NOTES	REQ QTY
1	225-0950	LOCK TAB		1
2	CT-HOS-IN	INNER WHEEL END HOSE		1
3	CT-HOS-OT	OUTER WHEEL END HOSE		1
4	225-0132	TEFLON WHEEL GUARDS	①	2
5	265-1142	STANDOFF 1"		2
6	225-1101	HUB CAP TEE		1
7	225-1025	HUB CAP FITTING		1
8	516312NC	3 1/2" BOLT		4
9	516LW	LOCK WASHER		6
10	516FWSAE	FLAT WASHER		6
11	343-4195	HUB CAP		1
12	330-3118	HUB GASKET		2
13	299-3878	HUB SPACER (6 3/4 BOLT CIRCLE X 2 1/4" WIDTH)		1
14	F65	INSERT		2
15	225-4805	FERRULE		2
16	669-5C	FITTING		1
17	1115-157-238	ROTARY UNION	④	1
18	46035	BOLT		2
19	10LW	LOCK WASHER		2
20	275-2131	MODIFIED PROPAR AXLE PLUG ADAPTOR		1
21	16000-230	O-RING		1
22	225-1369	FITTING		1
23	1105-070	ROTARY UNION SEALING WASHER	②	1
24	12040	INTERNAL AIR LINE	③	1
25	311-605	INTERNAL AIR LINE SPRING GUARD		1
26	169C-5-4	FITTING		1
27	47200	1/8 PTF Relief Valve		1
28	516412NC	4 1/2" BOLT		2

- NOTES**
- ① ADHESIVE GUARD FOR WHEEL END HOSE ATTACHED TO RIM
 - ② INCLUDED WITH PART # 1115-157-238
 - ③ CUT TO LENGTH IF REQUIRED
 - ④ ROTARY UNIONS DO NOT REQUIRE LUBRICATION WHEN USED IN TRAILER WHEEL END APPLICATIONS



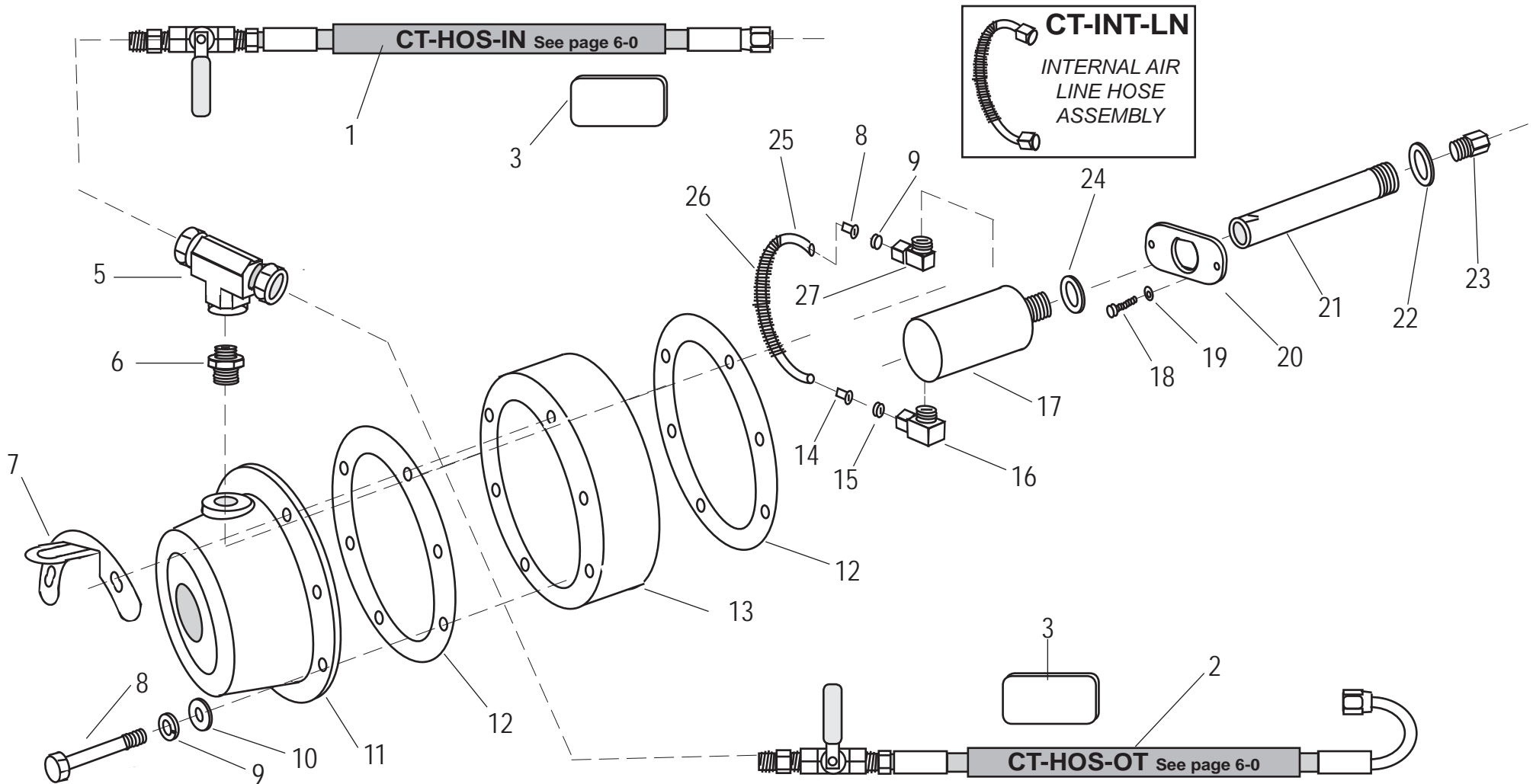
TPC-TEM610 Trailer Wheel End - Proper Threaded Hub Cap

Note...Trailer axle views shown in this section are of most common and current wheel end kits. Various other configurations exist depending upon trailer axle model. Contact TPC International for more information and part identification.

**TPC-TEM610
Trailer Wheel End - Propar Threaded Hub Cap**

REF NUMBER	ITEM NUMBER	DESCRIPTION	NOTES	REQ QTY
1	CT-HOS-IN	INNER WHEEL END HOSE		1
2	CT-HOS-OT	OUTER WHEEL END HOSE		1
3	225-0132	TEFLON WHEEL GUARDS	①	2
4				
5	225-1106	HUB CAP TEE		1
6	330-3077	O-RING		1
7	299-6016	HUB SPACER (6 1/4" THREAD DIAMETER X 3 7/8" WIDTH)		1
8	F65	INSERT		2
9	225-4805	FERRULE		2
10	669-5C	FITTING		1
11	1115-157-238	ROTARY UNION	④	1
12	46035	BOLT		2
13	10LW	LOCK WASHER		2
14	276-0610	RETAINING PLATE		1
15	CT-PSA-08	ADAPTER STEM 7/8 NF - EXTERNAL THREAD		1
16	1105-090	ADAPTER STEM SEALING WASHER		1
17	225-1369	FITTING		1
18	1105-070	ROTARY UNION SEALING WASHER	②	1
19	12040	INTERNAL AIR LINE	③	1
20	311-605	INTERNAL AIR LINE GUARD		1
21	169C-5-4	FITTING		1
22	516112CP	COTTER PIN		1

- NOTES**
- ① ADHESIVE GUARD FOR WHEEL END HOSE ATTACHED TO RIM
 - ② INCLUDED WITH PART # 1115-157-238
 - ③ CUT TO LENGTH IF REQUIRED
 - ④ ROTARY UNIONS DO NOT REQUIRE LUBRICATION WHEN USED IN TRAILER WHEEL END APPLICATIONS



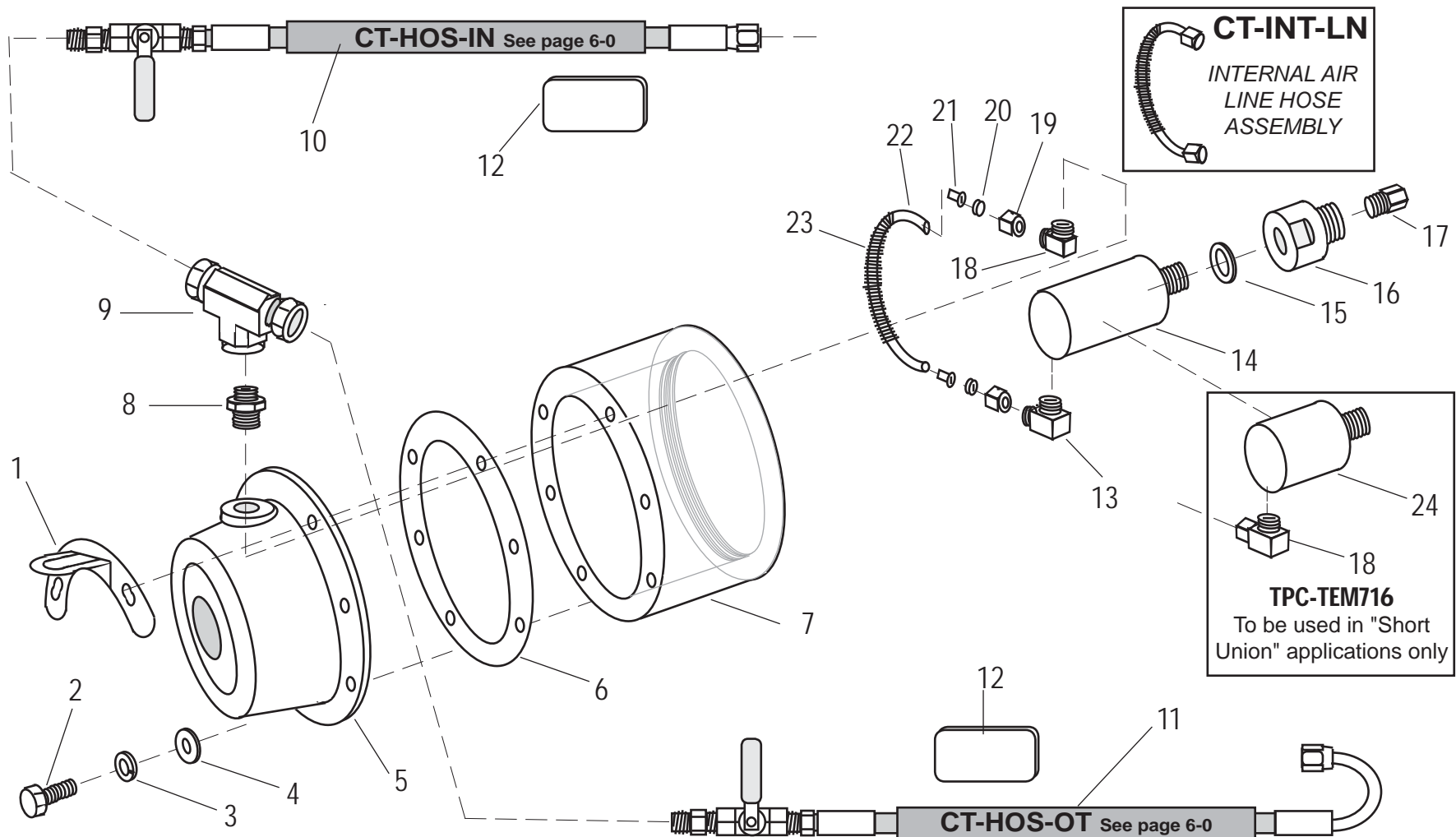
TPC-TEM612 Trailer Wheel End - Propar 8" Recessed Solid End - Bolt on Caps

Note... Trailer axle views shown in this section are of most common and current wheel end kits. Various other configurations exist depending upon trailer axle model. Contact TPC International for more information and part identification.

**TPC-TEM612
Trailer Wheel End - Propar Bolt On Hub Cap**

REF NUMBER	ITEM NUMBER	DESCRIPTION	NOTES	REQ QTY
1	CT-HOS-IN	INNER WHEEL END HOSE		1
2	CT-HOS-OT	OUTER WHEEL END HOSE		1
3	225-0132	TEFLON WHEEL GUARDS	❶	2
4				
5	225-1101	HUB CAP TEE		1
6	225-1025	HUB CAP FITTING		1
7	225-0950	LOCK TAB		1
8	516312NC	BOLT		6
9	516LW	LOCK WASHER		6
10	516FWSAE	FLAT WASHER		6
11	343-4195	HUB CAP		1
12	330-3118	HUB GASKET		2
13	299-3878	HUB SPACER (6 3/4 Bolt Circle x 2 3/8 Width)		1
14	F65	INSERT		2
15	225-4805	FERRULE		2
16	669-5C	FITTING		1
17	1115-157-238	ROTARY UNION	❷	1
18	46035	BOLT		2
19	10LW	LOCK WASHER		2
20	276-0610	RETAINING PLATE		1
21	CT-PSA-08	ADAPTER STEM 7/8 NF - EXTERNAL THREAD 8" Long		1
22	1105-090	ADAPTER STEM SEALING WASHER		1
23	225-1369	FITTING		1
24	1105-070	ROTARY UNION SEALING WASHER	❸	1
25	12040	INTERNAL AIR LINE	❹	1
26	311-605	INTERNAL AIR LINE GUARD		1
27	169C-5-4	FITTING		1

- NOTES**
- ❶ ADHESIVE GUARD FOR WHEEL END HOSE ATTACHED TO RIM
 - ❷ INCLUDED WITH PART # 1115-157-238
 - ❸ CUT TO LENGTH IF REQUIRED
 - ❹ ROTARY UNIONS DO NOT REQUIRE LUBRICATION WHEN USED IN TRAILER WHEEL END APPLICATIONS



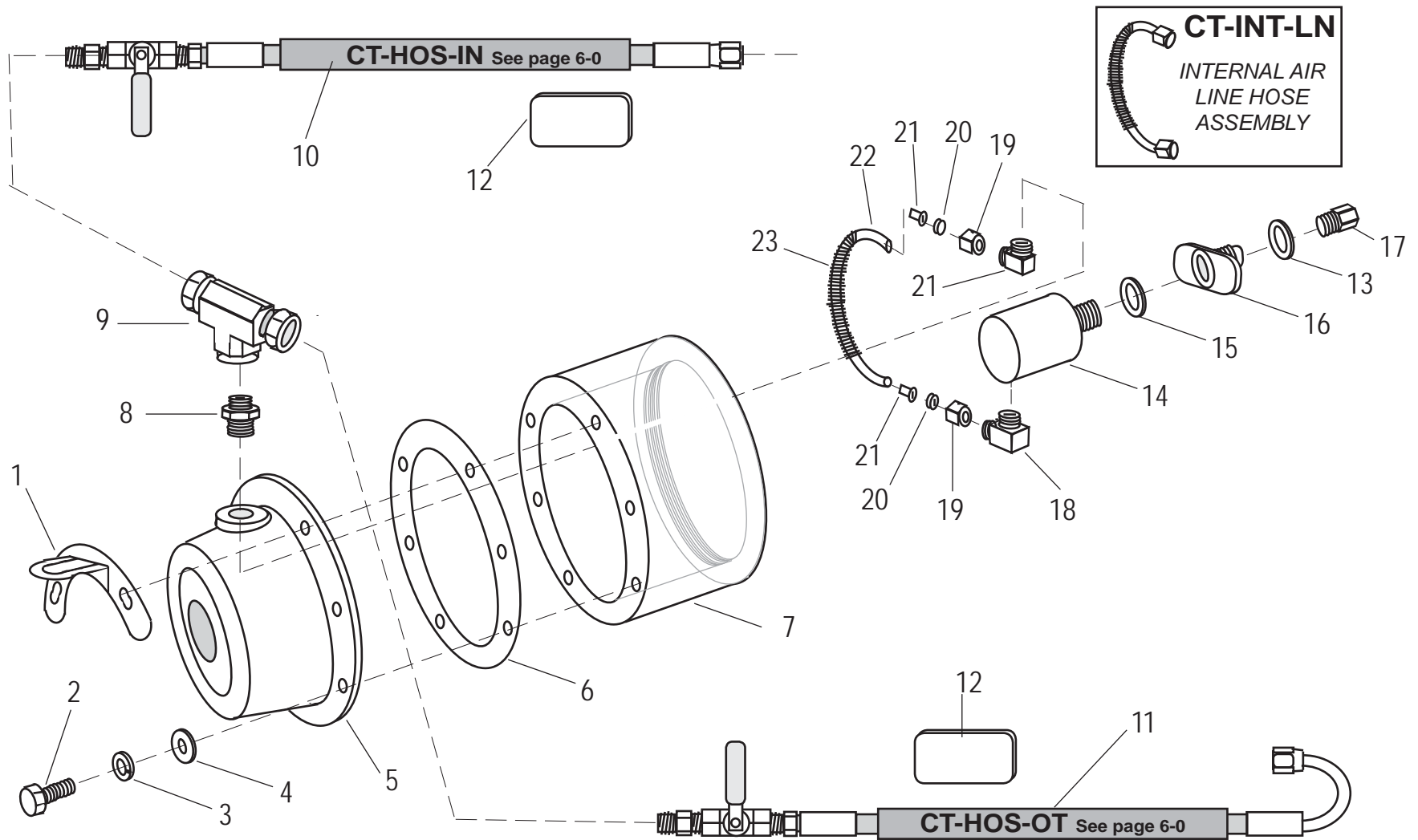
TPC-TEM715 & TPC-TEM716 (Short Union Version) (3/4 BSP Straight Thread Adaptor) Trailer Wheel End - BPW 9,000 & 10,000 Series Eco Plus Hub Solid Spindle

Note...Trailer axle views shown in this section are of most common and current wheel end kits. Various other configurations exist depending upon trailer axle model. Contact TPC International for more information and part identification.

**TPC-TEM715 and TPC-TEM716(Short Union Version)
Trailer Wheel End - BPW 9,000 & 10,000 Series Eco Plus Hub Solid Spindle**

REF NUMBER	ITEM NUMBER	DESCRIPTION	NOTES	PER WHL END
				REQ QTY
1	225-0950	LOCK TAB		1
2	200-0825	BOLT		6
3	516LW	LOCK WASHER		6
4	516FWSAE	FLAT WASHER		6
5	203-4009	PLASTIC HUB CAP		1
6	330-3009	HUB GASKET		1
7	299-0136	HUB SPACER		1
8	225-1025	HUB CAP FITTING		1
9	225-1101	HUB CAP TEE		1
10	CT-HOS-IN	INNER WHEEL END HOSE		1
11	CT-HOS-OT	OUTER WHEEL END HOSE		1
12	225-0130	TEFLON WHEEL GUARDS	①	2
13	669-5C	FITTING		1
14	1115-157-238	ROTARY UNION	③	1
15	1105-070	ROTARY UNION SEALING WASHER	②	1
16	275-9000	SPINDLE ADAPTER		1
17	225-1369	FITTING		1
18	169C-5-4	FITTING		1
19	661-5	COMPRESSION NUT		2
20	225-4805	FERRULE		2
21	F65	INSERT		2
22	12040	INTERNAL AIR LINE		1
23	311-605	INTERNAL AIR LINE GUARD		1
24	1102-208-210G	SHORT ROTARY UNION (Short Union Applications only)	③	1

- NOTES**
- ① ADHESIVE GUARD FOR WHEEL END HOSE ATTACHED TO RIM
 - ② INCLUDED WITH PART # 1115-157-238 and 1102-208-210G
 - ③ ROTARY UNIONS DO NOT REQUIRE LUBRICATION WHEN USED IN TRAILER WHEEL END APPLICATIONS



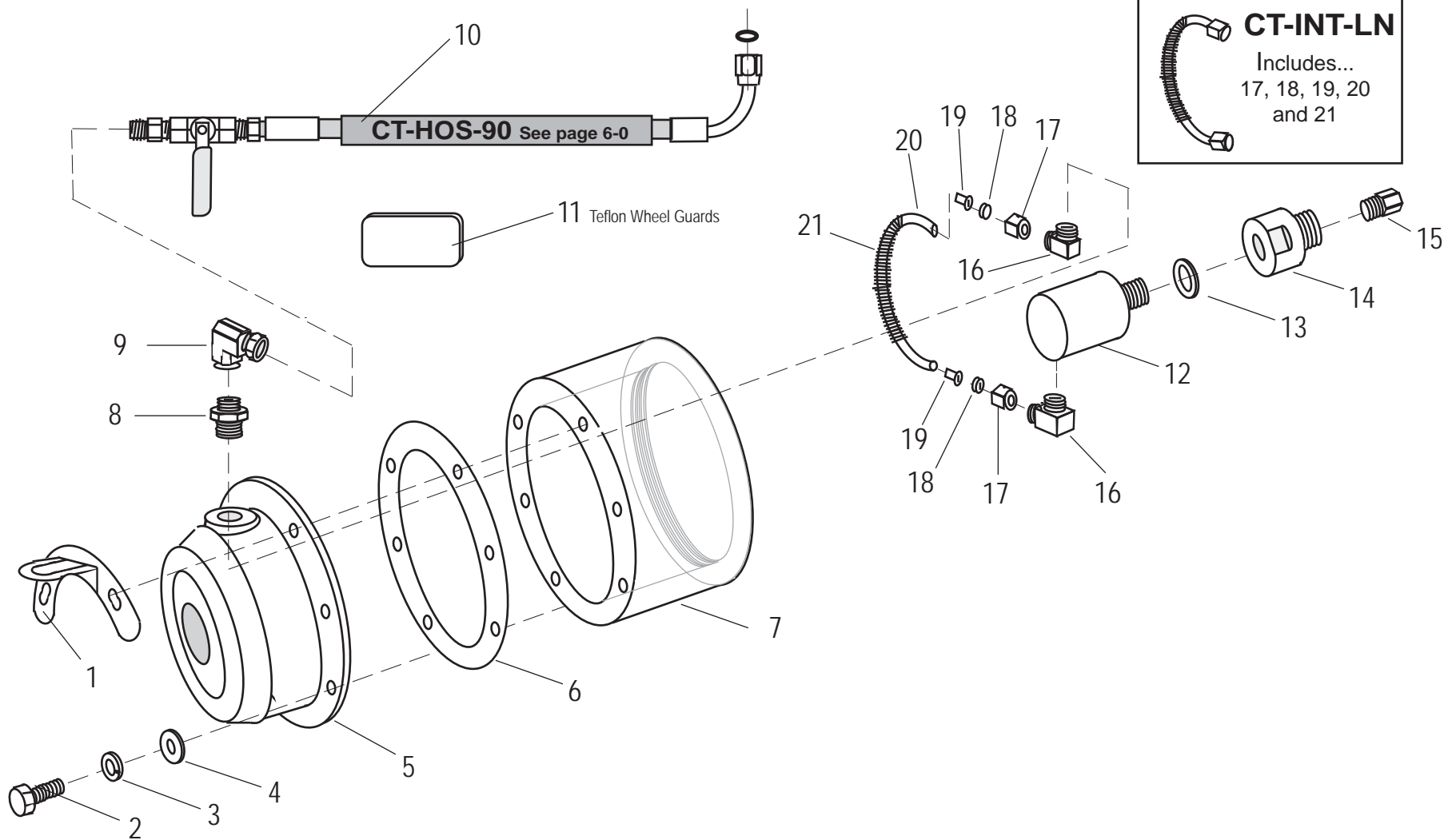
TPC-TEM717 (Short Union Version) (7/8" UNF Standard Thread Adaptor) Trailer Wheel End - BPW 9,000 & 10,000 Series Eco Plus Hub Solid Spindle

Note...Trailer axle views shown in this section are of most common and current wheel end kits. Various other configurations exist depending upon trailer axle model. Contact TPC International for more information and part identification.

**TPC-TEM717 (Short Union Version) (7/8" UNF Standard Thread Adaptor)
Trailer Wheel End - BPW 9,000 & 10,000 Series Eco Plus Hub Solid Spindle**

REF NUMBER	ITEM NUMBER	DESCRIPTION	NOTES	PER WHL END
				REQ QTY
1	225-0950	LOCK TAB		1
2	200-0825	BOLT		6
3	516LW	LOCK WASHER		6
4	516FWSAE	FLAT WASHER		6
5	203-4009	PLASTIC HUB CAP		1
6	330-3009	HUB GASKET		1
7	299-0136	HUB SPACER		1
8	225-1025	HUB CAP FITTING		1
9	225-1101	HUB CAP TEE		1
10	CT-HOS-IN	INNER WHEEL END HOSE		1
11	CT-HOS-OT	OUTER WHEEL END HOSE		1
12	225-0130	TEFLON WHEEL GUARDS	①	2
13	1105-090	INNER COPPER WASHER		1
14	1102-208-210G	SHORT ROTARY UNION (Short Union Applications only)	③	1
15	1105-070	ROTARY UNION SEALING WASHER	②	1
16	1105-100	ROTARY UNION BUSHING		1
17	225-1369	3/8 TUBE x 1/4 NPT CONNECT		1
18	169C-5-4	5/16 Comp x 1/4 NPT 90 Degree Elbow		1
19	661-5	COMPRESSION NUT		2
20	225-4805	FERRULE		2
21	F65	INSERT		2
22	12040	INTERNAL AIR LINE		1
23	311-605	INTERNAL AIR LINE GUARD		1

- NOTES**
- ① ADHESIVE GUARD FOR WHEEL END HOSE ATTACHED TO RIM
 - ② INCLUDED WITH PART # 1115-157-238 and 1102-208-210G
 - ③ ROTARY UNIONS DO NOT REQUIRE LUBRICATION WHEN USED IN TRAILER WHEEL END APPLICATIONS



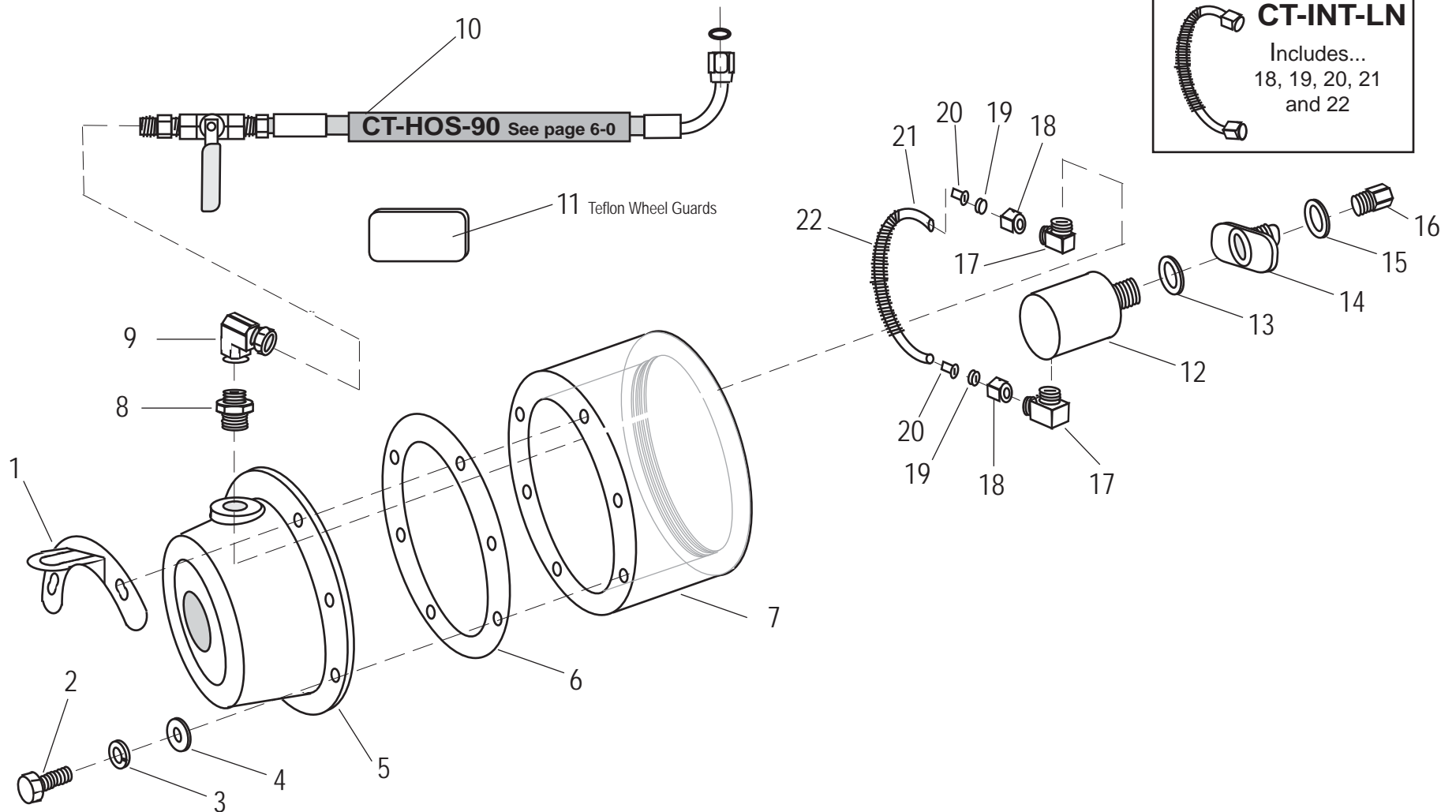
TPC-TEM718 (Short Union Version, Single wheels and Narrow Cap) (3/4 BSP Straight Thread Adaptor) Trailer Wheel End - BPW 9,000 & 10,000 Series Eco Plus Hub Solid Spindle

Note...Trailer axle views shown in this section are of most common and current wheel end kits. Various other configurations exist depending upon trailer axle model. Contact TPC International for more information and part identification.

**TPC-TEM718 (Short Union Version, Single Wheels and Narrow Cap) (3/4 BSP Straight Thread Adaptor)
Trailer Wheel End - BPW 9,000 & 10,000 Series Eco Plus Hub Solid Spindle**

REF NUMBER	ITEM NUMBER	DESCRIPTION	PER WHL END	
			NOTES	REQ QTY
1	225-0950	LOCK TAB		1
2	200-0825	BOLT		6
3	516LW	LOCK WASHER		6
4	516FWSAE	FLAT WASHER		6
5	243-4249	HUB CAP		1
6	330-3009	HUB GASKET		1
7	299-0136	HUB SPACER		1
8	225-1025	HUB CAP FITTING		1
9	225-1100	1/4 Swivel Elbow x 1/4 FMPT 90 Degrees		1
10	CT-HOS-90	WHEEL END HOSE AND VALVE ASSEMBLY 90 DEGREE		1
11	225-0130	TEFLON WHEEL GUARDS	①	2
12	1102-208-210G	SHORT ROTARY UNION (Short Union Applications only)	③	1
13	1105-070	ROTARY UNION SEALING WASHER	②	1
14	275-9000	SPINDLE ADAPTER		1
15	225-1369	FITTING		1
16	169C-5-4	FITTING		1
17	661-5	COMPRESSION NUT		2
18	225-4805	FERRULE		2
19	F65	INSERT		2
20	12040	INTERNAL AIR LINE		1
21	311-605	INTERNAL AIR LINE GUARD		1

- NOTES**
- ① ADHESIVE GUARD FOR WHEEL END HOSE ATTACHED TO RIM
 - ② INCLUDED WITH PART #1102-208-210G
 - ③ ROTARY UNIONS DO NOT REQUIRE LUBRICATION WHEN USED IN TRAILER WHEEL END APPLICATIONS



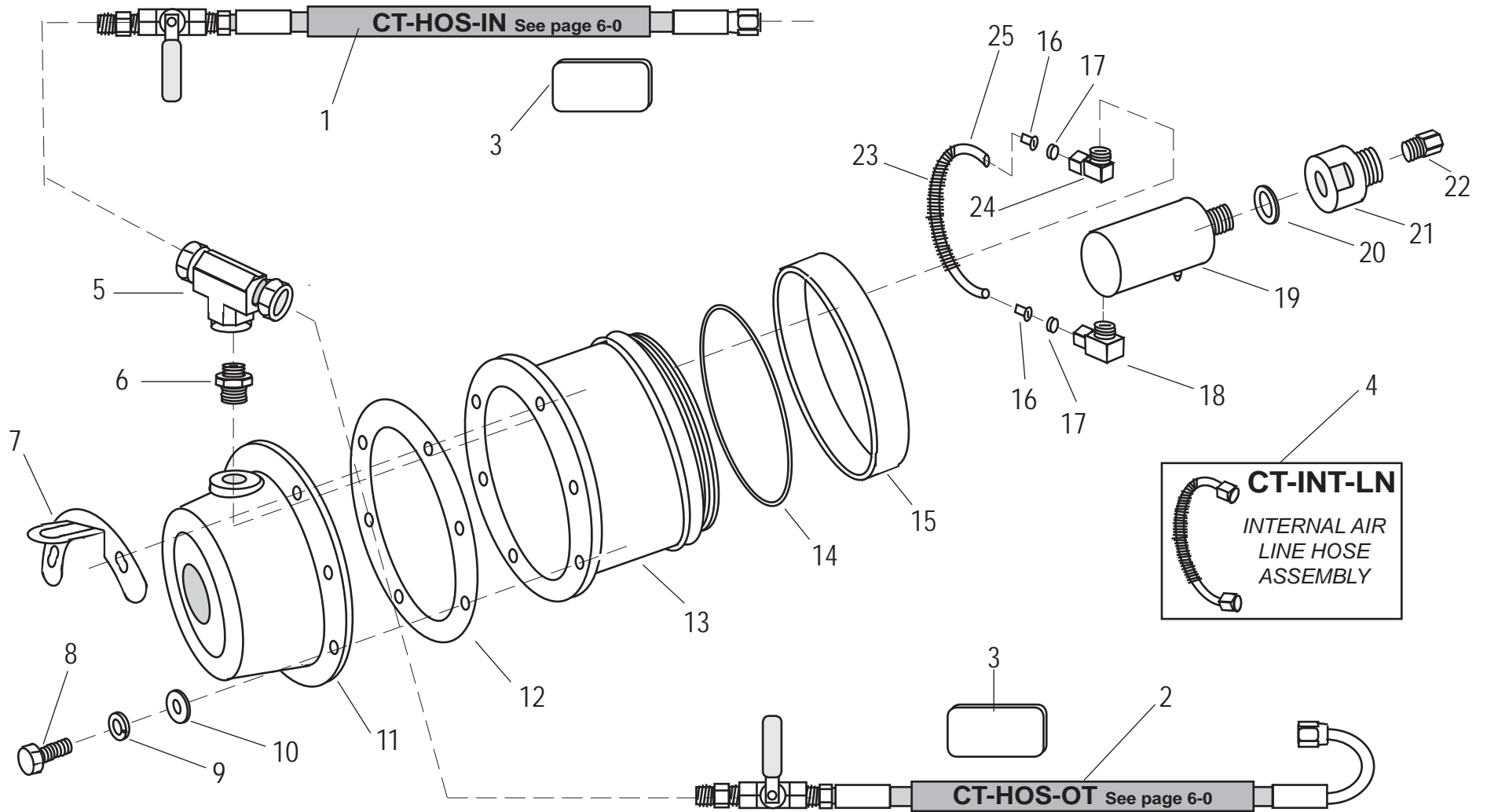
TPC-TEM719 (Short Union Version, Single Wheel) (7/8" UNF Standard Thread Adaptor) Trailer Wheel End - BPW 9,000 & 10,000 Series Eco Plus Hub Solid Spindle

Note...Trailer axle views shown in this section are of most common and current wheel end kits. Various other configurations exist depending upon trailer axle model. Contact TPC International for more information and part identification.

**TPC-TEM719 (Short Union Version, Single Wheel) (7/8" UNF Standard Thread Adaptor)
Trailer Wheel End - BPW 9,000 & 10,000 Series Eco Plus Hub Solid Spindle**

REF NUMBER	ITEM NUMBER	DESCRIPTION	NOTES	PER WHL END
				REQ QTY
1	225-0950	LOCK TAB		1
2	200-0825	BOLT		6
3	516LW	LOCK WASHER		6
4	516FWSAE	FLAT WASHER		6
5	203-4009	PLASTIC HUB CAP		1
6	330-3009	HUB GASKET		1
7	299-0136	HUB SPACER		1
8	225-1025	HUB CAP FITTING		1
9	225-1100	1/4 Swivel Elbow x 1/4 FMPT 90 Degrees		1
10	CT-HOS-90	WHEEL END HOSE AND VALVE ASSEMBLY 90 DEGREE		1
11	225-0130	TEFLON WHEEL GUARDS	①	2
12	1102-208-210G	SHORT ROTARY UNION (Short Union Applications only)	③	1
13	1105-070	ROTARY UNION SEALING WASHER	②	1
14	1105-100	ROTARY UNION BUSHING		1
15	1105-090	INNER COPPER WASHER		1
16	225-1369	3/8 TUBE x 1/4 NPT CONNECT		1
17	169C-5-4	5/16 Comp x 1/4 NPT 90 Degree Elbow		1
18	661-5	COMPRESSION NUT		2
19	225-4805	FERRULE		2
20	F65	INSERT		2
21	12040	INTERNAL AIR LINE		1
22	311-605	INTERNAL AIR LINE GUARD		1

- NOTES**
- ① ADHESIVE GUARD FOR WHEEL END HOSE ATTACHED TO RIM
 - ② INCLUDED WITH PART # 1102-208-210G
 - ③ ROTARY UNIONS DO NOT REQUIRE LUBRICATION WHEN USED IN TRAILER WHEEL END APPLICATIONS



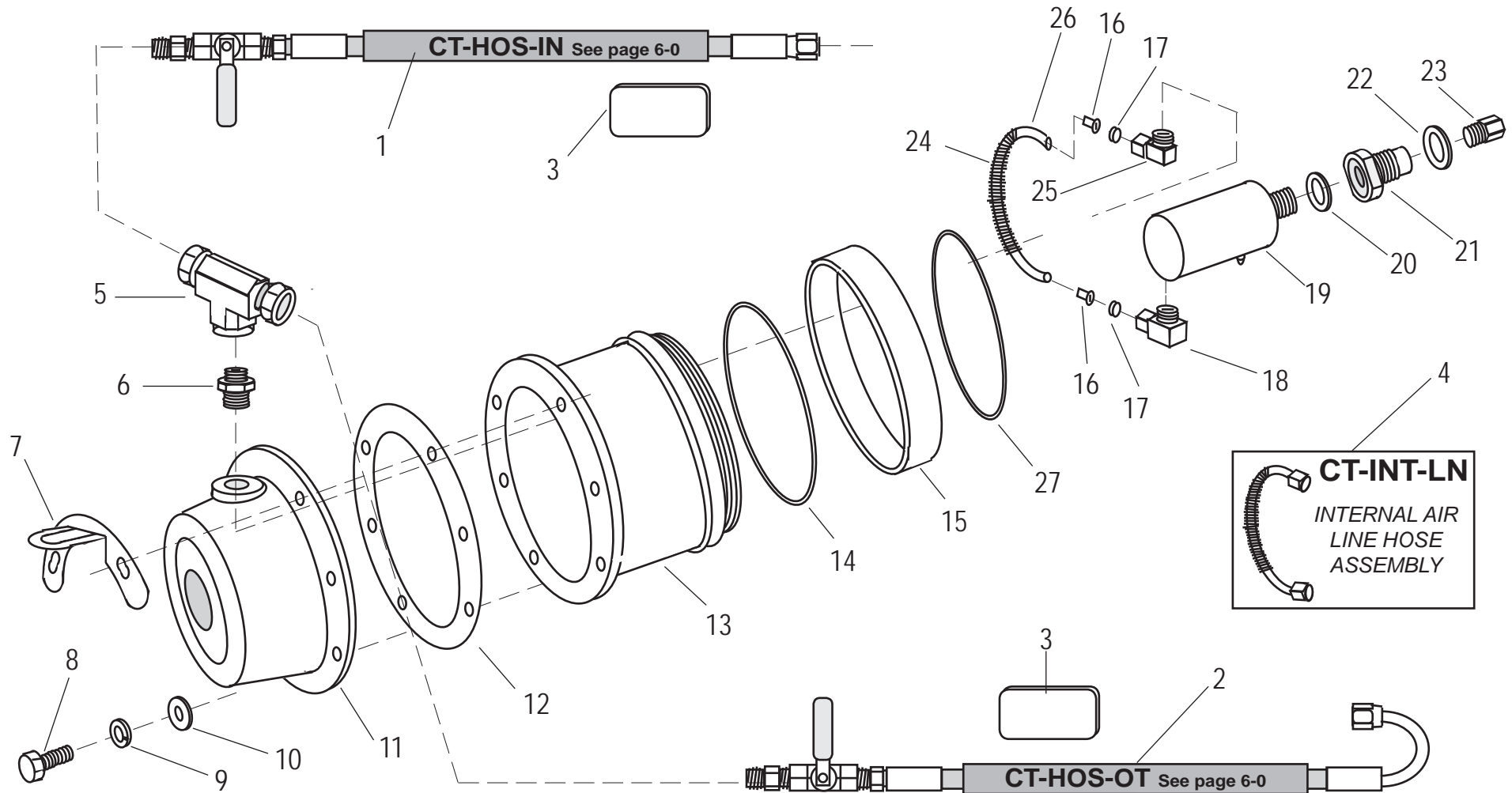
TPC-TEM720 Trailer Wheel End - BPW 9000 Series - ECO Hub Solid Spindle

Note...Trailer axle views shown in this section are of most common and current wheel end kits. Various other configurations exist depending upon trailer axle model. Contact TPC International for more information and part identification.

**TPC-TEM720
Trailer Wheel End - BPW 9000 Series - ECO Hub Solid Spindle**

REF NUMBER	ITEM NUMBER	DESCRIPTION	NOTES	PER WHL END
				REQ QTY
1	CT-HOS-IN	INNER WHEEL END HOSE		1
2	CT-HOS-OT	OUTER WHEEL END HOSE		1
3	225-0130	TEFLON WHEEL GUARDS	①	2
4	CT-INT-LN	INTERNAL AIR LINE ASSEMBLY		1
5	225-1101	HUB CAP TEE		1
6	225-1025	HUB CAP FITTING		1
7	225-0950	LOCK TAB		1
8	200-0825	BOLT		6
9	516LW	LOCK WASHER		6
10	516FWSAE	FLAT WASHER		6
11	203-4009	PLASTIC HUB CAP		1
12	330-3009	HUB GASKET		1
13	CT-BPW-00	HUB SPACER (5 1/2 BOLT CIRCLE X 3 3/16" WIDTH)		1
14	200-3122	O-RING 3mm x 122mm		1
15	289-0725	THREAD CONVERSION COUPLER		1
16	F65	INSERT		2
17	225-4805	FERRULE		2
18	669-5C	FITTING		1
19	1115-157-238	ROTARY UNION	④	1
20	1105-070	ROTARY UNION SEALING WASHER	②	1
21	275-9000	SPINDLE ADAPTER		1
22	225-1369	FITTING		1
23	311-605	INTERNAL AIR LINE GUARD	③	1
24	169C-5-4	FITTING		1
25	12040	INTERNAL AIR LINE		1

- NOTES**
- ① ADHESIVE GUARD FOR WHEEL END HOSE ATTACHED TO RIM
 - ② INCLUDED WITH PART # 1115-157-238
 - ③ CUT TO LENGTH IF REQUIRED
 - ④ ROTARY UNIONS DO NOT REQUIRE LUBRICATION WHEN USED IN TRAILER WHEEL END APPLICATIONS



TPC-TEM725 Trailer Wheel End - BPW 9000 Series- Eco Hub Solid Spindle

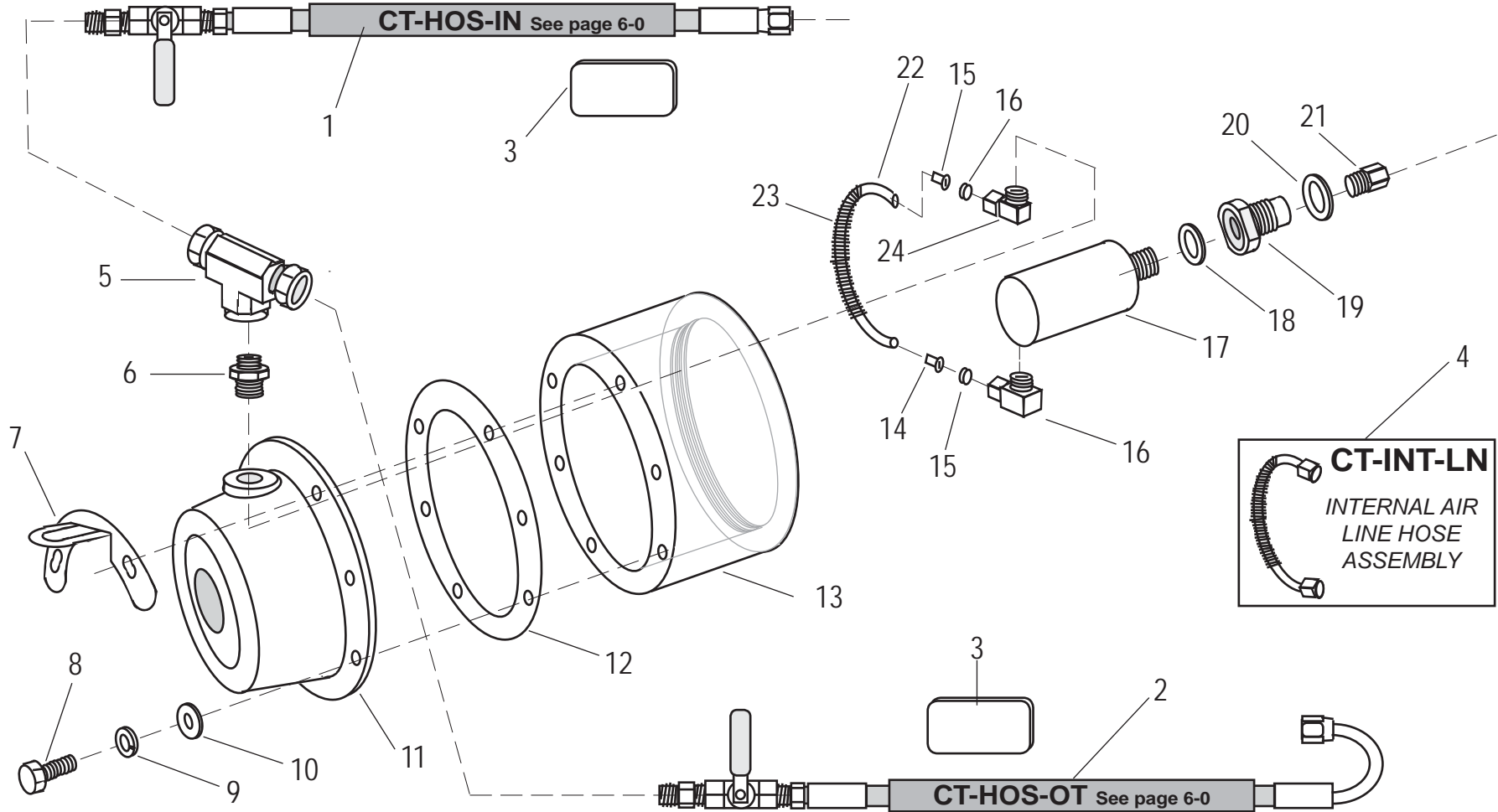
Note...Trailer axle views shown in this section are of most common and current wheel end kits. Various other configurations exist depending upon trailer axle model. Contact TPC International for more information and part identification.

TPC-TEM725

Trailer Wheel End - BPW 9000 Series - ECO Hub Solid Spindle

REF NUMBER	ITEM NUMBER	DESCRIPTION	NOTES	PER WHL END
				REQ QTY
1	CT-HOS-IN	INNER WHEEL END HOSE		1
2	CT-HOS-OT	OUTER WHEEL END HOSE		1
3	225-0132	TEFLON WHEEL GUARDS	①	2
4	CT-INT-LN	INTERNAL AIR LINE HOSE ASSEMBLY		1
5	225-1101	HUB CAP TEE		1
6	225-1025	HUB CAP FITTING		1
7	225-0950	LOCK TAB		1
8	5161 NC	BOLT		6
9	516LW	LOCK WASHER		6
10	516FWSAE	FLAT WASHER		6
11	203-4009	PLASTIC HUB CAP		1
12	330-3009	HUB GASKET		1
13	CT-BPW-00	HUB SPACER (5 1/2 BOLT CIRCLE X 3 3/16" WIDTH)		1
14	16000-159	O-RING		1
15	289-0725	THREAD CONVERSION COUPLER		1
16	F65	INSERT		2
17	225-4805	FERRULE		2
18	669-5C	FITTING		1
19	1115-157-238	ROTARY UNION	④	1
20	1105-070	ROTARY UNION SEALING WASHER	②	1
21	1105-100	SPINDLE ADAPTER 7/8 NF EXTERNAL THREAD		1
22	1105-090	SPINDLE ADAPTER SEALING WASHER		1
23	225-1369	FITTING		1
24	311-605	INTERNAL AIR LINE GUARD		1
25	169C-5-4	FITTING		1
26	12040	INTERNAL AIR LINE	③	1
27	200-3122	O-RING		1

- NOTES**
- ① ADHESIVE GUARD FOR WHEEL END HOSE ATTACHED TO RIM
 - ② INCLUDED WITH PART # 1115-157-238
 - ③ CUT TO LENGTH IF REQUIRED
 - ④ ROTARY UNIONS DO NOT REQUIRE LUBRICATION WHEN USED IN TRAILER WHEEL END APPLICATIONS



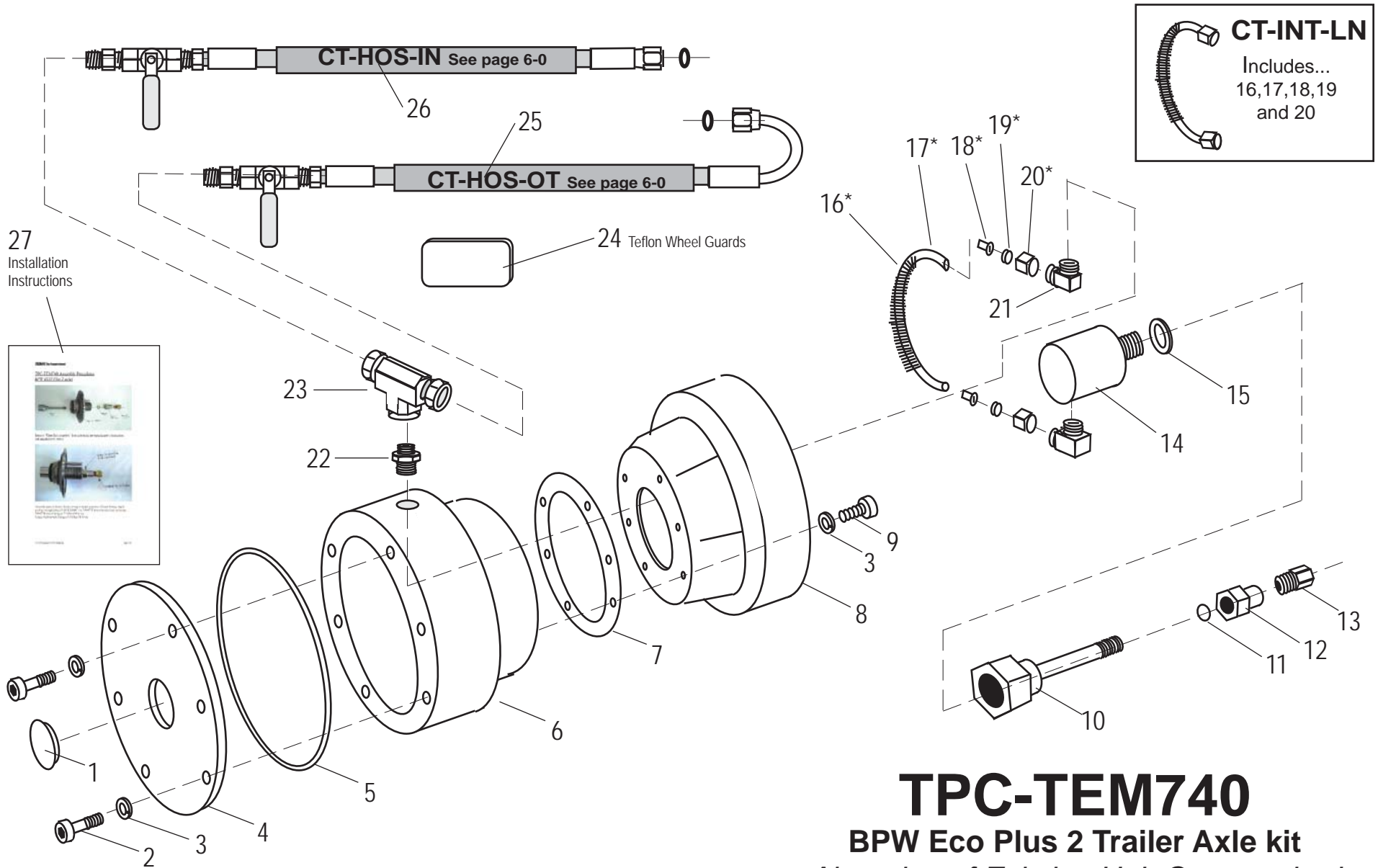
TPC-TEM730 Trailer Wheel End - BPW 10,000 & 12,000 Series Eco Maxx Hub Solid Spindle

Note...Trailer axle views shown in this section are of most common and current wheel end kits. Various other configurations exist depending upon trailer axle model. Contact TPC International for more information and part identification.

TPC-TEM730
Trailer Wheel End - BPW 10,000 & 12,000 Series Eco Maxx Hub Solid Spindle

REF NUMBER	ITEM NUMBER	DESCRIPTION	NOTES	PER WHL END
				REQ QTY
1	CT-HOS-IN	INNER WHEEL END HOSE		1
2	CT-HOS-OT	OUTER WHEEL END HOSE		1
3	225-0132	TEFLON WHEEL GUARDS	①	2
4	CT-INT-LN	INTERNAL AIR LINE HOSE ASSEMBLY		1
5	225-1101	HUB CAP TEE		1
6	225-1025	HUB CAP FITTING		1
7	225-0950	LOCK TAB		1
8	200-0825	BOLT		6
9	516LW	LOCK WASHER		6
10	516FWSAE	FLAT WASHER		6
11	203-4009	PLASTIC HUB CAP		1
12	330-3009	HUB GASKET		1
13	299-0135	HUB SPACER		1
14	F65	INSERT		2
15	225-4805	FERRULE		2
16	669-5C	FITTING		1
17	1115-157-238	ROTARY UNION	④	1
18	1105-070	ROTARY UNION SEALING WASHER	②	1
19	1105-100	SPINDLE ADAPTER		1
20	1105-090	SPINDLE ADAPTER SEALING WASHER		1
21	225-1369	FITTING		1
22	12040	INTERNAL AIR LINE	③	1
23	311-605	INTERNAL AIR LINE GUARD		1
24	169C-5-4	FITTING		1

- NOTES**
- ① ADHESIVE GUARD FOR WHEEL END HOSE ATTACHED TO RIM
 - ② INCLUDED WITH PART # 1115-157-238
 - ③ CUT TO LENGTH IF REQUIRED
 - ④ ROTARY UNIONS DO NOT REQUIRE LUBRICATION WHEN USED IN TRAILER WHEEL END APPLICATIONS



CT-INT-LN
Includes...
16,17,18,19
and 20

TPC-TEM740

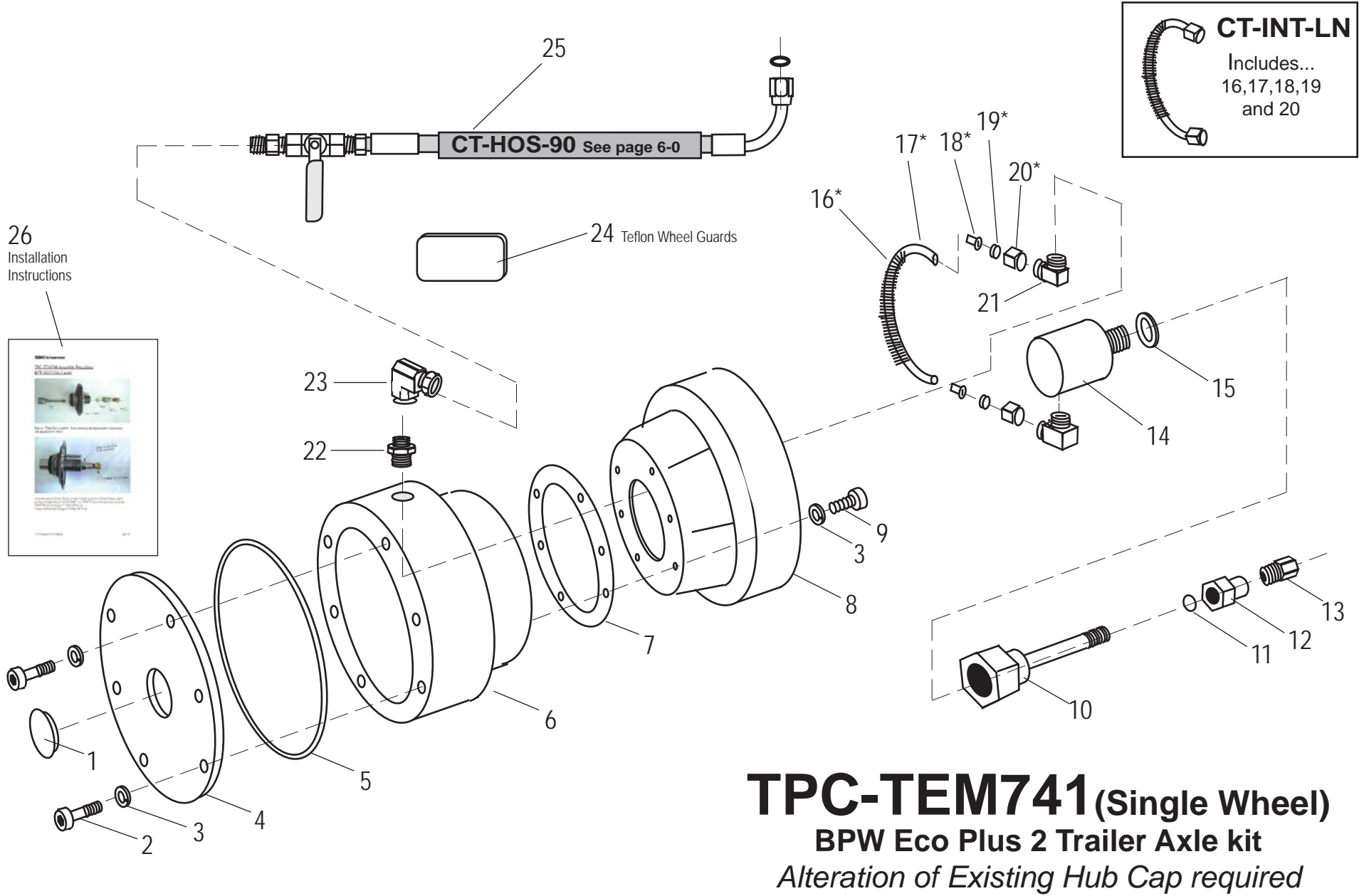
BPW Eco Plus 2 Trailer Axle kit

Alteration of Existing Hub Cap required

TPC-TEM740
BPW ECO Plus 2 - (Alteration of Hub Cap required)

REF NUMBER	ITEM NUMBER	DESCRIPTION	NOTE	PER WHL END
				REQ QTY
1	259-5990	Dual Dynamics Blue HUB CAP PLUG		1
2	46035	10-24 x 3/4" Socket Head CAP SCREW		6
3	10LWHCSS	#10 Stainless Steel LOCK WASHER		12
4	299-0732	BPW SPACER CAP		1
5	QN7-047	QUAD RING		1
6	299-0731	BPW SPACER		1
7	299-0731G	BPW SPACER GASKET		1
8		Use existing Hub Cap from trailer (must be modified, see TEM740 Install instructions)		
9	235-9024	10-24 x 1/2" Socket Head CAP SCREW		6
10	299-0733	BPW INSERT QUILL		1
11	16000-012	O-RING		1
12	299-0734	BPW INSERT FITTING		1
13	225-1369	3/8 Push to Lock x 1/4 NPT		1
14	1102-208-210G	SHORT ROTARY UNION with OUTER SEAL		1
15	1105-070	ROTARY UNION GASKET	1	1
16	311-605	INTERNAL AIR LINE GUARD		1
17	12040	INTERNAL AIR LINE		1
18	F65	INSERT		2
19	225-4805	FERRULE		2
20	661-5	5/16 COMPRESSION NUT		2
	CT-INT-LN	INTERNAL AIR LINE ASSEMBLY (Includes # 14, 15, 16, 17 & 18)		1
21	169C-5-4	FITTING		2
22	225-1025	HUB CAP FITTING		1
23	225-1101	1/4 FEMALE TEE		1
24	CT-AWG-TF	TEFLON WHEEL GUARD with instructions		1
25	CT-HOS-OT	Outer Wheel End HOSE and BALL VALVE		1
26	CT-HOS-IN	Inner Wheel End HOSE and BALL VALVE		1
27		F/Tec/Procedures/TEM740 Install.doc		1

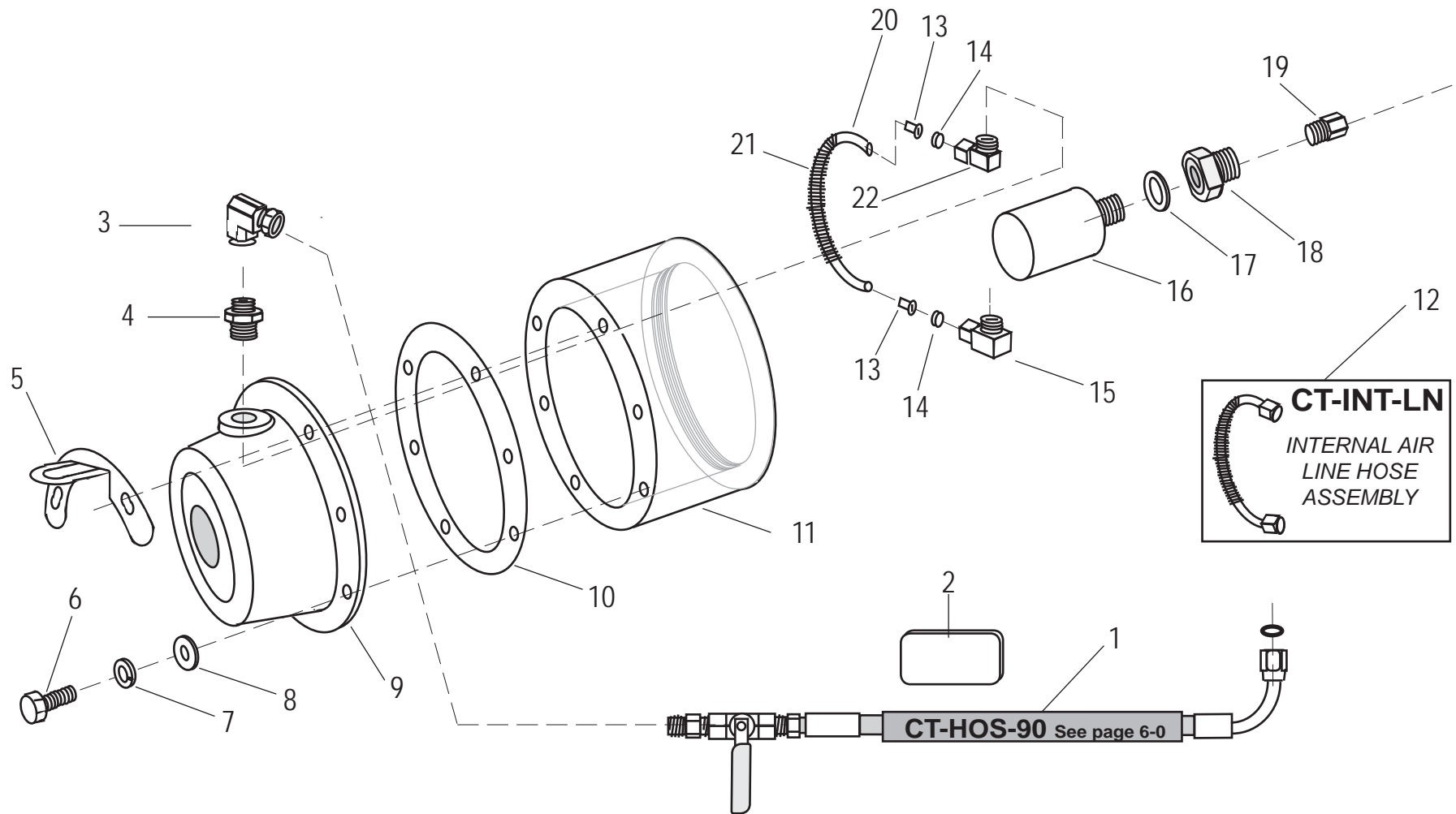
NOTES **1** INCLUDED WITH PART # 1102-208-210G



TPC-TEM741
BPW ECO Plus 2 (Single Wheels) - (Alteration of Hub Cap required)

REF NUMBER	ITEM NUMBER	DESCRIPTION	NOTE	PER WHL END REQ QTY
1	259-5990	Dual Dynamics Blue HUB CAP PLUG		1
2	46035	10-24 x 3/4" Socket Head CAP SCREW		6
3	10LWHCSS	#10 Stainless Steel LOCK WASHER		12
4	299-0732	BPW SPACER CAP		1
5	QN7-047	QUAD RING		1
6	29-0731	BPW SPACER		1
7	29-0731G	BPW SPACER GASKET		1
8		Use existing Hub Cap from trailer (must be modified, see TEM740 Install instructions)		
9	235-9024	10-24 x 1/2" Socket Head CAP SCREW		6
10	299-0733	BPW INSERT QUILL		1
11	16000-012	O-RING		1
12	299-0734	BPW INSERT FITTING		1
13	225-1369	3/8 Push to Lock x 1/4 NPT		1
14	1102-208-210G	SHORT ROTARY UNION with OUTER SEAL		1
15	1105-070	ROTARY UNION GASKET	1	1
16	311-605	INTERNAL AIR LINE GUARD		1
17	12040	INTERNAL AIR LINE		1
18	F65	INSERT		2
19	225-4805	FERRULE		2
20	661-5	5/16 COMPRESSION NUT		2
	CT-INT-LN	INTERNAL AIR LINE ASSEMBLY (Includes # 14, 15, 16, 17 & 18)		1
21	169C-5-4	FITTING		2
22	225-1025	HUB CAP FITTING		1
23	244-1124	- 4 NPSM Female Swivel x 1/4 male NPT 45		1
24	CT-AWG-TF	TEFLON WHEEL GUARD with instructions		1
25	CT-HOS-90	Wheel End Hose & Valve Assembly 90 degree-		1
26		F/Tec/Procedures/TEM740 Install.doc		1

NOTES 1 INCLUDED WITH PART # 1102-208-210G

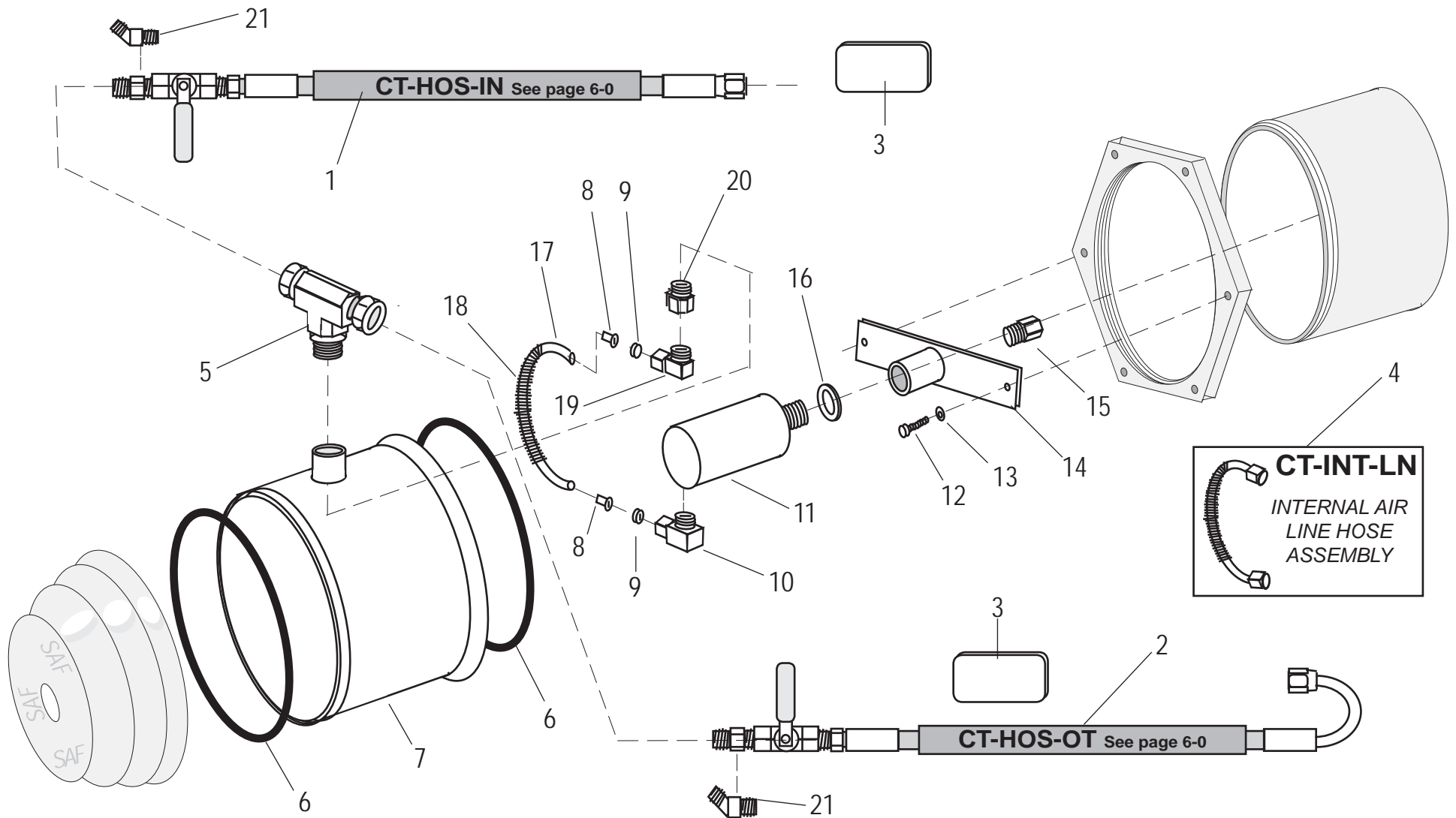


TPC-TEM743 (Single Wheel) BPW Eco 3 Trailer Wheel End

**TPC-TEM743
BPW ECO 3 (Single Wheels)**

REF NUMBER	ITEM NUMBER	DESCRIPTION	NOTE	PER WHL END
				REQ QTY
1	CT-HOS-90	Wheel End Hose & Valve Assembly 90 degree-		1
2	CT-AWG-TF	TEFLON WHEEL GUARD with instructions		1
3	225-1100	1/4 Swivel Elbow x 1/4 FMPT		1
4	225-1026	Hub Cap Fitting for Plastic SKF Cap		1
5	225-0950	Hub Cap Fitting Lock Tab		1
6	5161NC	5/16 Bolt		6
7	516LW	Lock Washer		6
8	516FWSAE	Flat Washer		6
9	203-4009	Grease Hubcap - SKF Plastic (Req. Plug 203-4010)		1
10	330-3009	Stemco Cap Gasket		1
11	299-0134	Eco 3 Spacer		1
12	CT-INT-LN	INTERNAL AIR LINE ASSEMBLY (Includes # 13, 14, 20, 21 & 22)		1
13	F65	INSERT		2
14	225-4805	FERRULE		2
15	169C-5-4	FITTING		2
16	1102-208-210G	SHORT ROTARY UNION with OUTER SEAL		1
17	1105-070	ROTARY UNION GASKET	1	1
18	275-9101	BPW Adaptor ECO 3 Metric		1
19	225-1368	Modified 3/8 Push to Lock x 1/4 NPT		1
20	12040	INTERNAL AIR LINE		1
21	311-605	INTERNAL AIR LINE GUARD		1
22	169C-5-4	FITTING		2

NOTES **1** INCLUDED WITH PART # 1102-208-210G



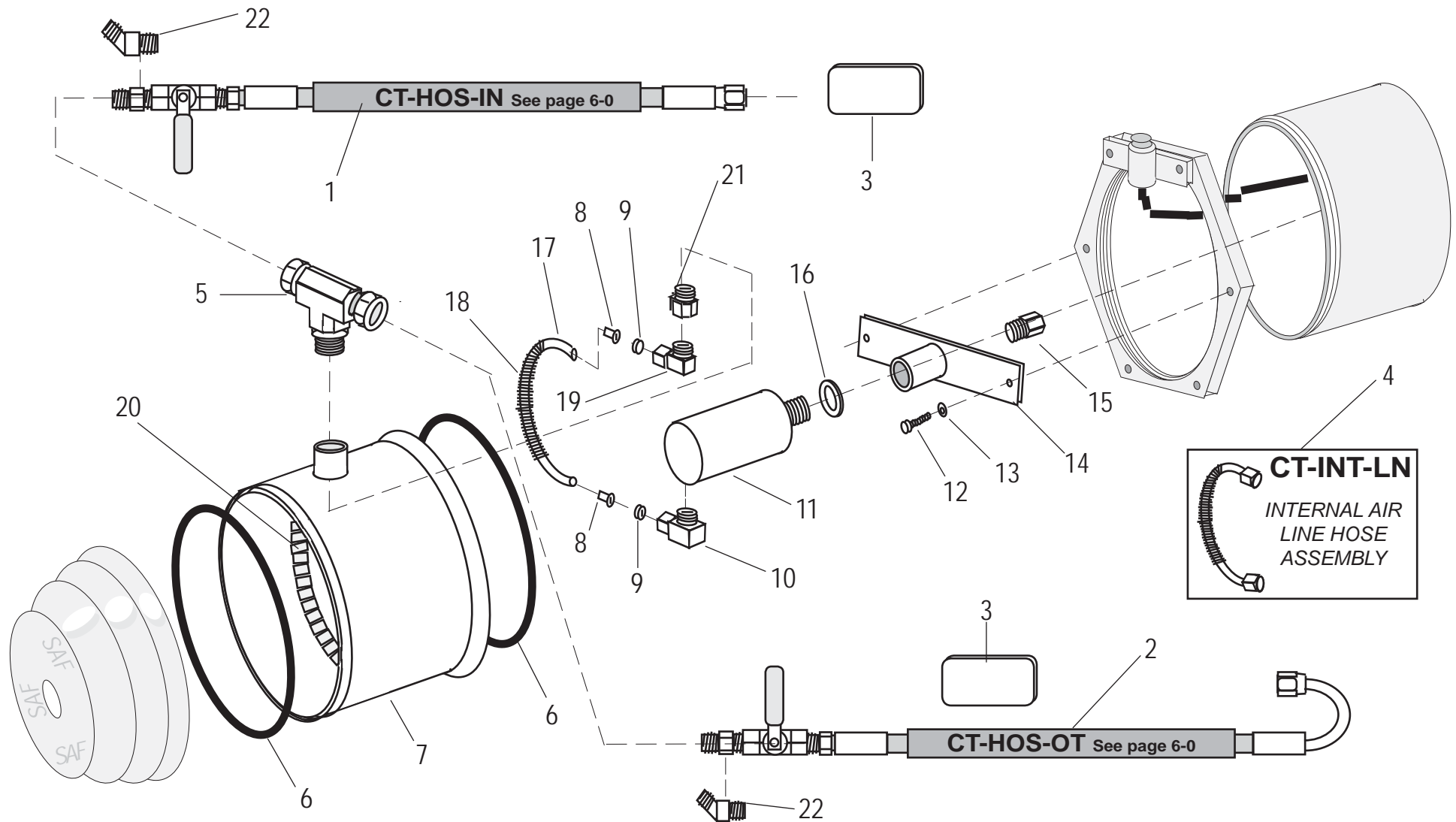
TPC-TEM820 Trailer Wheel End - SAF SK 19.5 & 22.5 - non ABS large cap

Note...Trailer axle views shown in this section are of most common and current wheel end kits. Various other configurations exist depending upon trailer axle model. Contact TPC International for more information and part identification.

TPC-TEM820
Trailer Wheel End - SAF SK 19.5 & 22.5 - non ABS large cap

REF NUMBER	ITEM NUMBER	DESCRIPTION	NOTES	REQ QTY
1	CT-HOS-IN	INNER WHEEL END HOSE		1
2	CT-HOS-OT	OUTER WHEEL END HOSE		1
3	225-0132	TEFLON WHEEL GUARDS	①	2
4	CT-INT-LN	INTERNAL AIR LINE HOSE ASSEMBLY		1
5	225-1106	HUB CAP TEE		1
6		O-RING		2
7	299-0825	HUB SPACER		1
8	F65	INSERT		2
9	225-4805	FERRULE		2
10	669-5C	FITTING		1
11	1115-157-238	ROTARY UNION	④	1
12	200-0615	BOLT (6m x 15mm x .75 Thread Pict)		2
13	14LW	LOCK WASHER		2
14	275-0825	RETAINING PLATE		1
15	225-1369	FITTING		1
16	1105-070	ROTARY UNION SEALING WASHER	②	1
17	12040	INTERNAL AIR LINE	③	1
18	311-605	INTERNAL AIR LINE GUARD		1
19	169C-5-4	FITTING		1
20	120-BB	BELL ADAPTER		1
21	225-4544	45o FITTING		2

- NOTES**
- ① ADHESIVE GUARD FOR WHEEL END HOSE ATTACHED TO RIM
 - ② INCLUDED WITH PART # 1115-157-238
 - ③ CUT TO LENGTH IF REQUIRED
 - ④ ROTARY UNIONS DO NOT REQUIRE LUBRICATION WHEN USED IN TRAILER WHEEL END APPLICATIONS



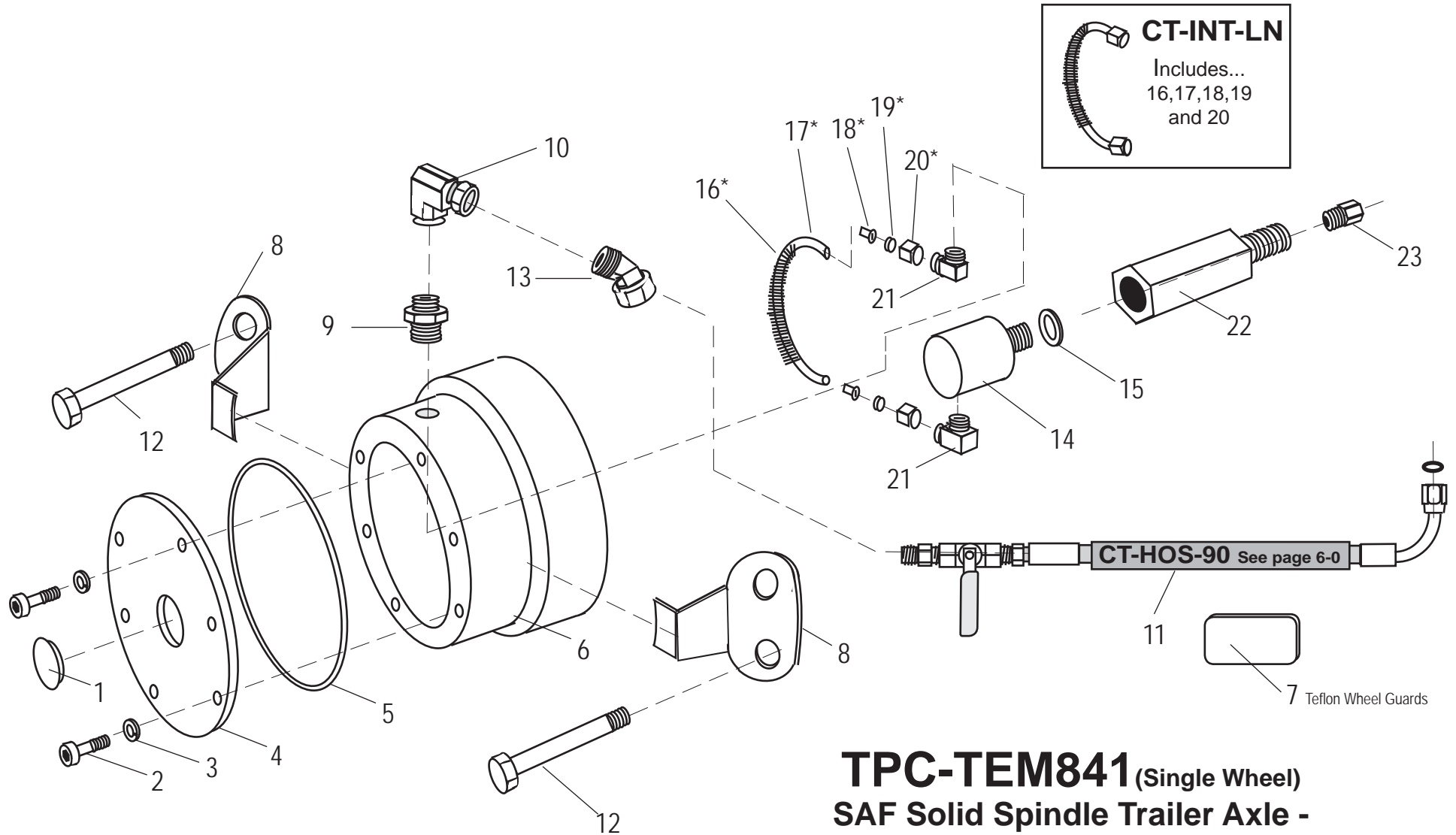
TPC-TEM825 Trailer Wheel End - SAF SK 19.5 - ABS (90 Tooth) large cap

Note...Trailer axle views shown in this section are of most common and current wheel end kits. Various other configurations exist depending upon trailer axle model. Contact TPC International for more information and part identification.

**TPC-TEM825
Trailer Wheel End - SAF SK 19.5 - ABS (90 Tooth) large cap**

REF NUMBER	ITEM NUMBER	DESCRIPTION	NOTES	REQ QTY
1	CT-HOS-IN	INNER WHEEL END HOSE		1
2	CT-HOS-OT	OUTER WHEEL END HOSE		1
3	225-0132	TEFLON WHEEL GUARDS	❶	2
4	CT-INT-LN	INTERNAL AIR LINE HOSE ASSEMBLY		1
5	225-1106	HUB CAP TEE		1
6		O-RING 5mm		2
7	299-0825	HUB SPACER		1
8	F65	INSERT		2
9	225-4805	FERRULE		2
10	669-5C	FITTING		1
11	1115-157-238	ROTARY UNION	❷	1
12	200-0615	BOLT (6m x 15.75 Pict)		2
13	14LW	LOCK WASHER		2
14	275-0825	RETAINING PLATE		1
15	225-1369	FITTING		1
16	1105-070	ROTARY UNION SEALING WASHER	❸	1
17	12040	INTERNAL AIR LINE	❹	1
18	311-605	INTERNAL AIR LINE GUARD		1
19	169C-5-4	FITTING		1
20	290-0825	ABS RING - 90T	❺	1
21	120-BB	BELL ADAPTER		1
22	255-4544	45o FITTING		2

- NOTES**
- ❶ ADHESIVE GUARD FOR WHEEL END HOSE ATTACHED TO RIM
 - ❷ INCLUDED WITH PART # 1115-157-238
 - ❸ CUT TO LENGTH IF REQUIRED
 - ❹ ROTARY UNIONS DO NOT REQUIRE LUBRICATION WHEN USED IN TRAILER WHEEL END APPLICATIONS
 - ❺ MACHINING REQUIRED TO REMOVE & REINSTALL ABS RING



TPC-TEM841 (Single Wheel)
SAF Solid Spindle Trailer Axle -
*B Series used with Intradisc (solid hub with disc brakes) &
 with Intradisc Plus Intergral (Spoked hub with Disc Brakes)*

**TPC-TEM841
SAF Solid Spindle Trailer Kit - (Single Wheel)**

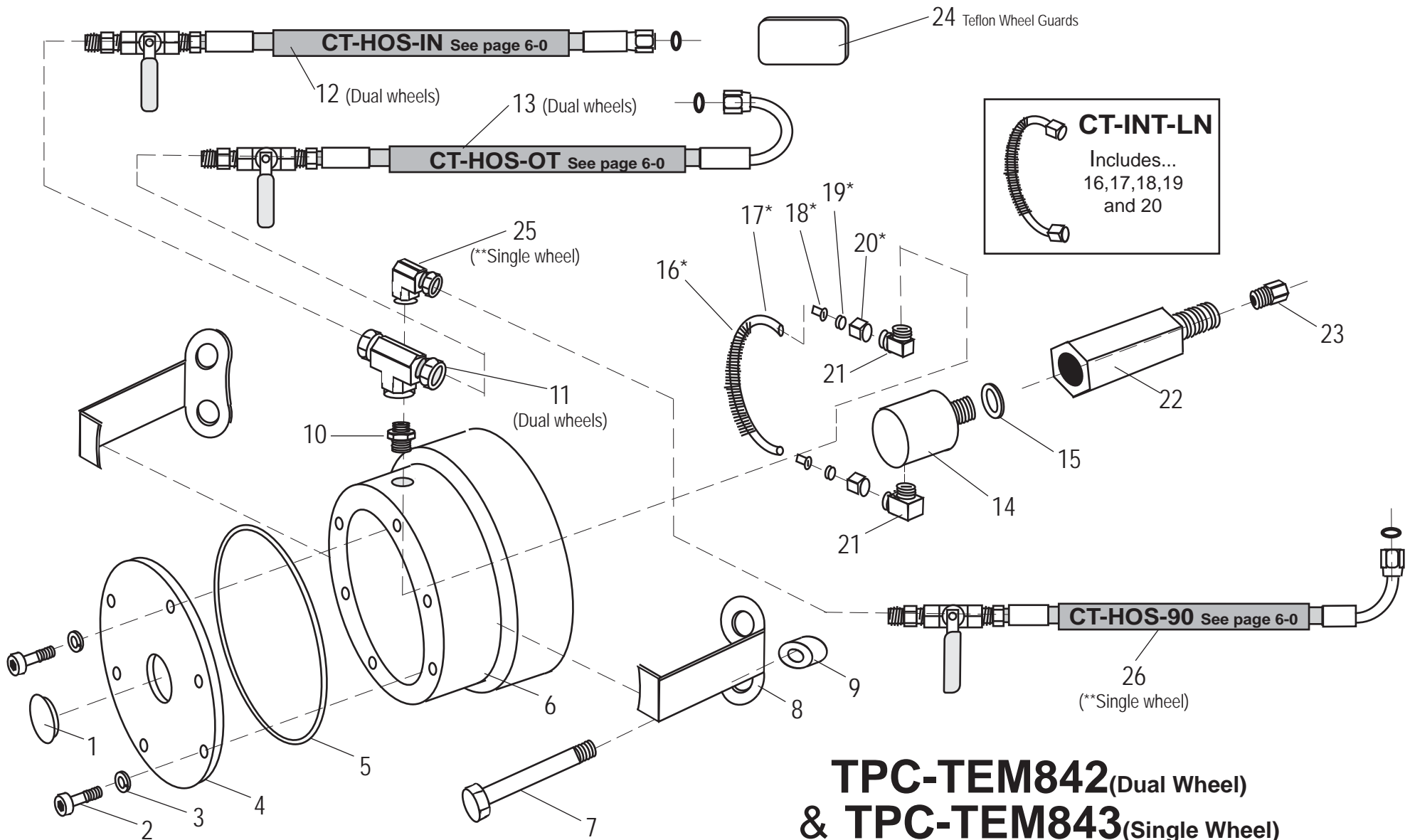
B Series used with Intradisc (solid hub with disc brakes)

&

with Intradisc Plus Intergral (Spoked hub with Disc Brakes)

REF NUMBER	ITEM NUMBER	DESCRIPTION	NOTE	PER WHL END REQ QTY
1	259-5990	Dual Dynamics Blue HUB CAP PLUG		1
2	46035	10-24 x 3/4" Socket Head CAP SCREW		6
3	10LW	#10 LOCK WASHER		6
4	299-0732	BPW SPACER CAP		1
5	QN7-047	QUAD RING		1
6	299-3680	SAF Wheel End SPACER		1
7	CT-AWG-TF	TEFLON WHEEL GUARD with instructions		1
8	299-3682	SAF Spacer Retainer Clip -		2
9	225-1025	HUB CAP FITTING		1
10	244-1124	- 4 NPSM Female Swivel x 1/4 male NPT 45		1
11	CT-HOS-90	Wheel End Hose & Valve Assembly 90 degree-		1
12		Use hub bolt on truck		
13	225-1100	1/4 Swivel Elbow x 1/4 FMPT (optional fitting for desired hose position)		1
14	1102-208-210G	SHORT ROTARY UNION with OUTER SEAL		1
15	1105-070	ROTARY UNION GASKET	1	1
16	311-605	INTERNAL AIR LINE GUARD		1
17	12040	INTERNAL AIR LINE		1
18	F65	INSERT		2
19	225-4805	FERRULE		2
20	661-5	5/16 COMPRESSION NUT		2
	CT-INT-LN	INTERNAL AIR LINE ASSEMBLY (Includes # 16, 17, 18, 19 and 20)		1
21	169C-5-4	FITTING		2
22	CT-PSA-02	Stem Adaptor - 95mm Long		1
23	225-1369	3/8 Tube x 1/4 MNPT Connect		1

NOTES **1** INCLUDED WITH PART # 1102-208-210G

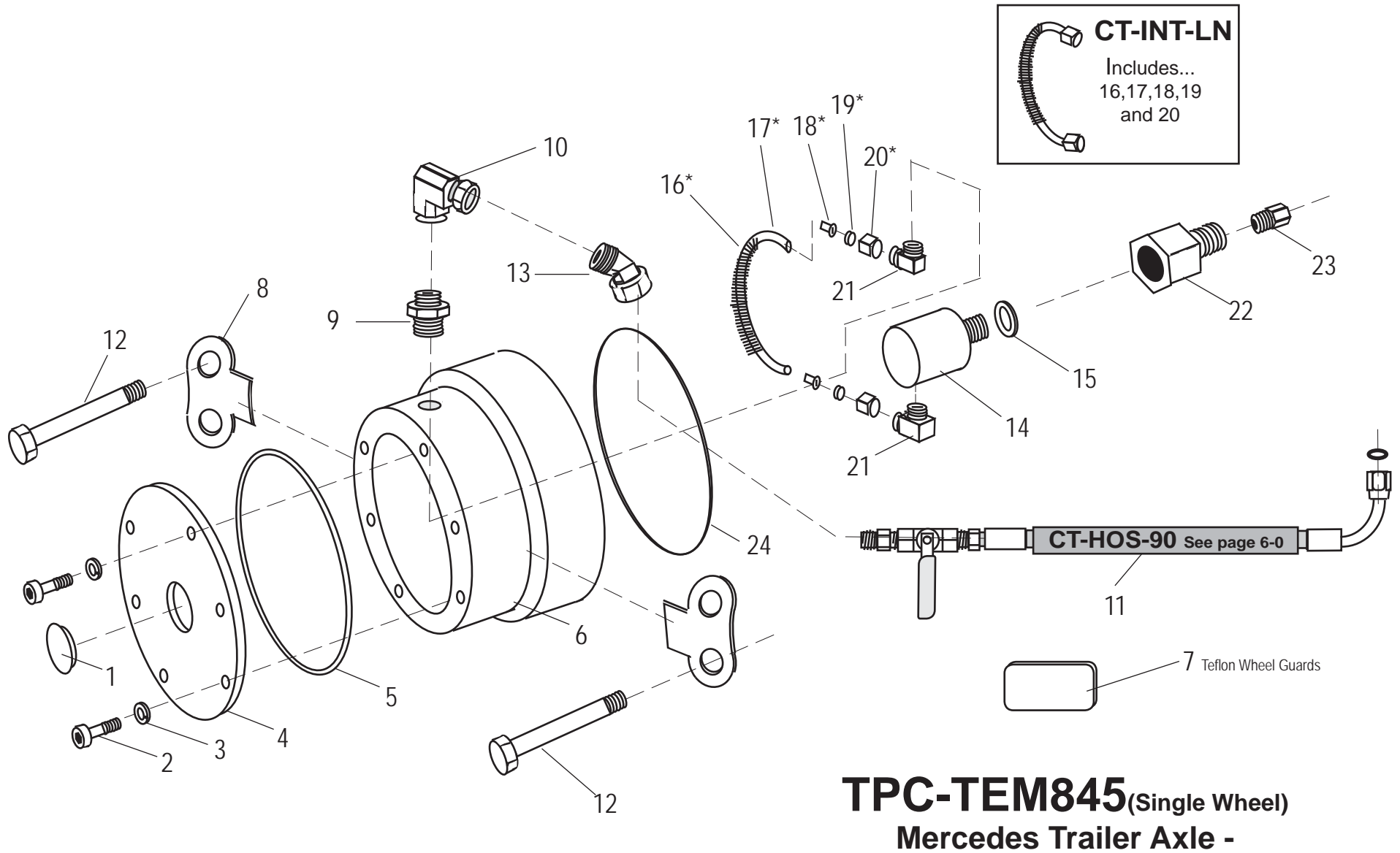


TPC-TEM842(Dual Wheel)
& TPC-TEM843(Single Wheel)
SAF Solid Spindle Trailer Axle - S & Z Series

**TPC-TEM842 (Dual Wheel) and TPC-TEM843 (Single Wheel)
SAF Solid Spindle Trailer Kit - (S & Z Series)**

REF NUMBER	ITEM NUMBER	DESCRIPTION	PER WHL END	
			NOTE	REQ QTY
1	259-5990	Dual Dynamics Blue HUB CAP PLUG		1
2	46035	10-24 x 3/4" Socket Head CAP SCREW		6
3	10LW	#10 LOCK WASHER		6
4	299-0732	BPW SPACER CAP		1
5	QN7-047	QUAD RING		1
6	299-3680	SAF Wheel End SPACER		1
7	200-1491	14 x 90mm Black Fine Bolt		4
8	299-3683	SAF Spacer Retainer Clip -		2
9	299-3684	Retainer Clip Leg		4
10	225-1025	HUB CAP FITTING		1
11	225-1101	1/4 FEMALE TEE - DUAL WHEEL APPLICATION ONLY		1
12	CT-HOS-IN	Inner Wheel End HOSE and BALL VALVE - DUAL WHEEL APPLICATION ONLY		1
13	CT-HOS-OT	Outer Wheel End HOSE and BALL VALVE - DUAL WHEEL APPLICATION ONLY		1
14	1102-208-210G	SHORT ROTARY UNION with OUTER SEAL		1
15	1105-070	ROTARY UNION GASKET	①	1
16	311-605	INTERNAL AIR LINE GUARD		1
17	12040	INTERNAL AIR LINE		1
18	F65	INSERT		2
19	225-4805	FERRULE		2
20	661-5	5/16 COMPRESSION NUT		2
	CT-INT-LN	INTERNAL AIR LINE ASSEMBLY (Includes # 16, 17, 18, 19 and 20)		1
21	169C-5-4	FITTING		2
22	CT-PSA-02	Stem Adaptor - 95mm Long		1
23	225-1369	3/8 Tube x 1/4 MNPT Connect		1
24	CT-AWG-TF	TEFLON WHEEL GUARD with instructions		1
25	244-1124	- 4 NPSM Female Swivel x 1/4 male NPT 45 - SINGLE WHEEL APPLICATION ONLY		1
26	CT-HOS-90	Wheel End Hose & Valve Assembly 90 degree- SINGLE WHEEL APPLICATION ONLY		1

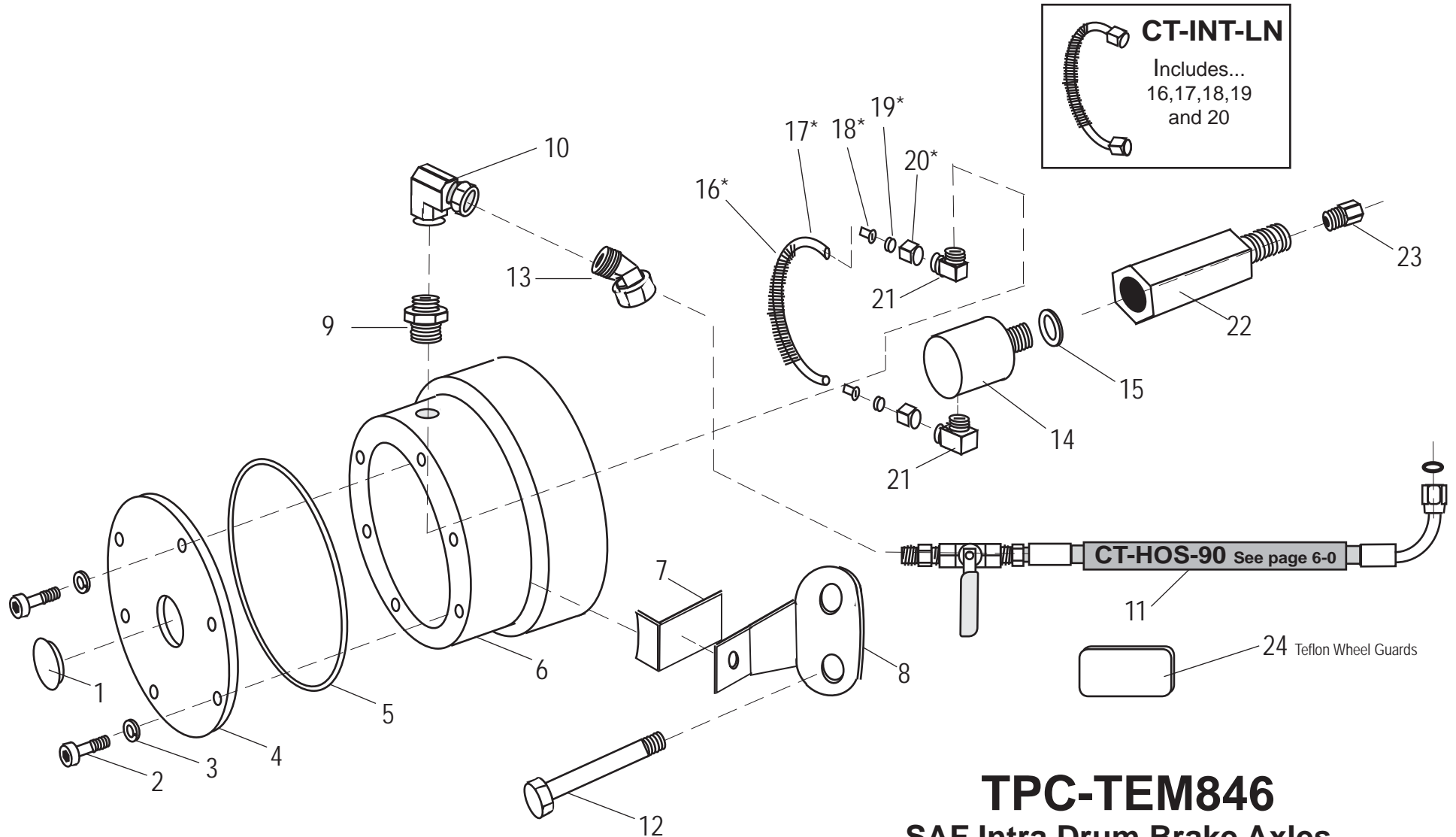
NOTES ① INCLUDED WITH PART # 1102-208-210G



TPC-TEM845
Mercedes- (Single Wheel)

REF NUMBER	ITEM NUMBER	DESCRIPTION	NOTE	PER WHL END
				REQ QTY
1	259-5990	Dual Dynamics Blue HUB CAP PLUG		1
2	46035	10-24 x 3/4" Socket Head CAP SCREW		6
3	10LW	#10 LOCK WASHER		6
4	299-0732	BPW SPACER CAP		1
5	QN7-047	QUAD RING		1
6	299-3680	SAF Wheel End SPACER		1
7	CT-AWG-TF	TEFLON WHEEL GUARD with instructions		1
8	299-3681	Bolt Retainer Clip -		2
9	225-1025	HUB CAP FITTING		1
10	225-1100	- 4 NPSM Female Swivel x 1/4 male NPT 45		1
11	CT-HOS-90	Wheel End Hose & Valve Assembly 90 degree-		1
12		Use hub bolt on truck		
13	225-1100	1/4 Swivel Elbow x 1/4 FMPT (optional fitting for desired hose position)		1
14	1102-208-210G	SHORT ROTARY UNION with OUTER SEAL		1
15	1105-070	ROTARY UNION GASKET	1	1
16	311-605	INTERNAL AIR LINE GUARD		1
17	12040	INTERNAL AIR LINE		1
18	F65	INSERT		2
19	225-4805	FERRULE		2
20	661-5	5/16 COMPRESSION NUT		2
	CT-INT-LN	INTERNAL AIR LINE ASSEMBLY (Includes # 16, 17, 18, 19 and 20)		1
21	169C-5-4	FITTING		2
22	CT-PSA-01	Propar Solid Axlen Stem Adaptor - 1" Long		1
23	225-1369	3/8 Tube x 1/4 MNPT Connect		1
24	16000-159	O-Ring Nitrile 70D		1

NOTES **1** INCLUDED WITH PART # 1102-208-210G

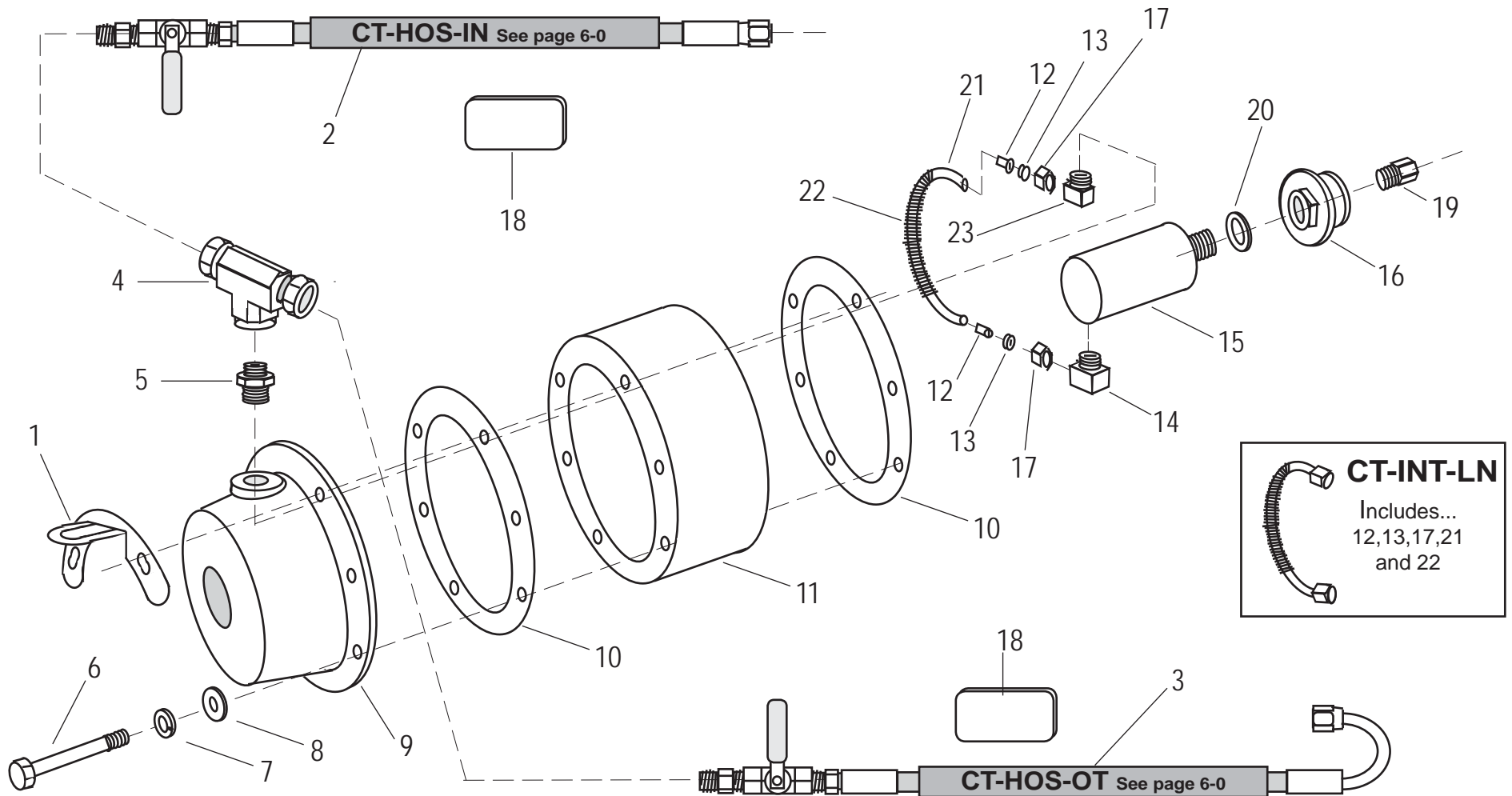


TPC-TEM846
SAF Intra Drum Brake Axles -
HD Off Road Single Wheel (Adjustable for all wheel types)

TPC-TEM846
SAF Intra Drum Brake AxleTrailer Kit
 HD Off Road Single Wheel (Adustable for all wheel types)

REF NUMBER	ITEM NUMBER	DESCRIPTION	PER WHL END	
			NOTE	REQ QTY
1	259-5990	Dual Dynamics Blue HUB CAP PLUG		1
2	46035	10-24 x 3/4" Socket Head CAP SCREW		6
3	10LW	#10 LOCK WASHER		6
4	299-0732	BPW SPACER CAP		1
5	QN7-047	QUAD RING		1
6	299-3680	SAF Wheel End SPACER		1
7	299-3685a	SAF Spacer Retainer Clip - (Part must be drilled according to placement and position)		2
8	299-3685b	SAF Spacer Retainer Clip -		2
9	225-1025	HUB CAP FITTING		1
10	225-1100	1/4 Swivel Elbow x 1/4 FMPT		1
11	CT-HOS-90	Wheel End Hose & Valve Assembly 90 degree-		1
12		Use hub bolt on truck		
13	244-1124	- 4 NPSM Female Swivel x 1/4 male NPT 45 (optional fitting for desired hose position)		1
14	1102-208-210G	SHORT ROTARY UNION with OUTER SEAL		1
15	1105-070	ROTARY UNION GASKET	1	1
16	311-605	INTERNAL AIR LINE GUARD		1
17	12040	INTERNAL AIR LINE		1
18	F65	INSERT		2
19	225-4805	FERRULE		2
20	661-5	5/16 COMPRESSION NUT		2
	CT-INT-LN	INTERNAL AIR LINE ASSEMBLY (Includes # 16, 17, 18, 19 and 20)		1
21	169C-5-4	FITTING		2
22	CT-PSA-02	Stem Adaptor - 95mm Long		1
23	225-1369	3/8 Tube x 1/4 MNPT Connect		1
24	CT-AWG-TF	TEFLON WHEEL GUARD with instructions		1

NOTES **1** INCLUDED WITH PART # 1102-208-210G



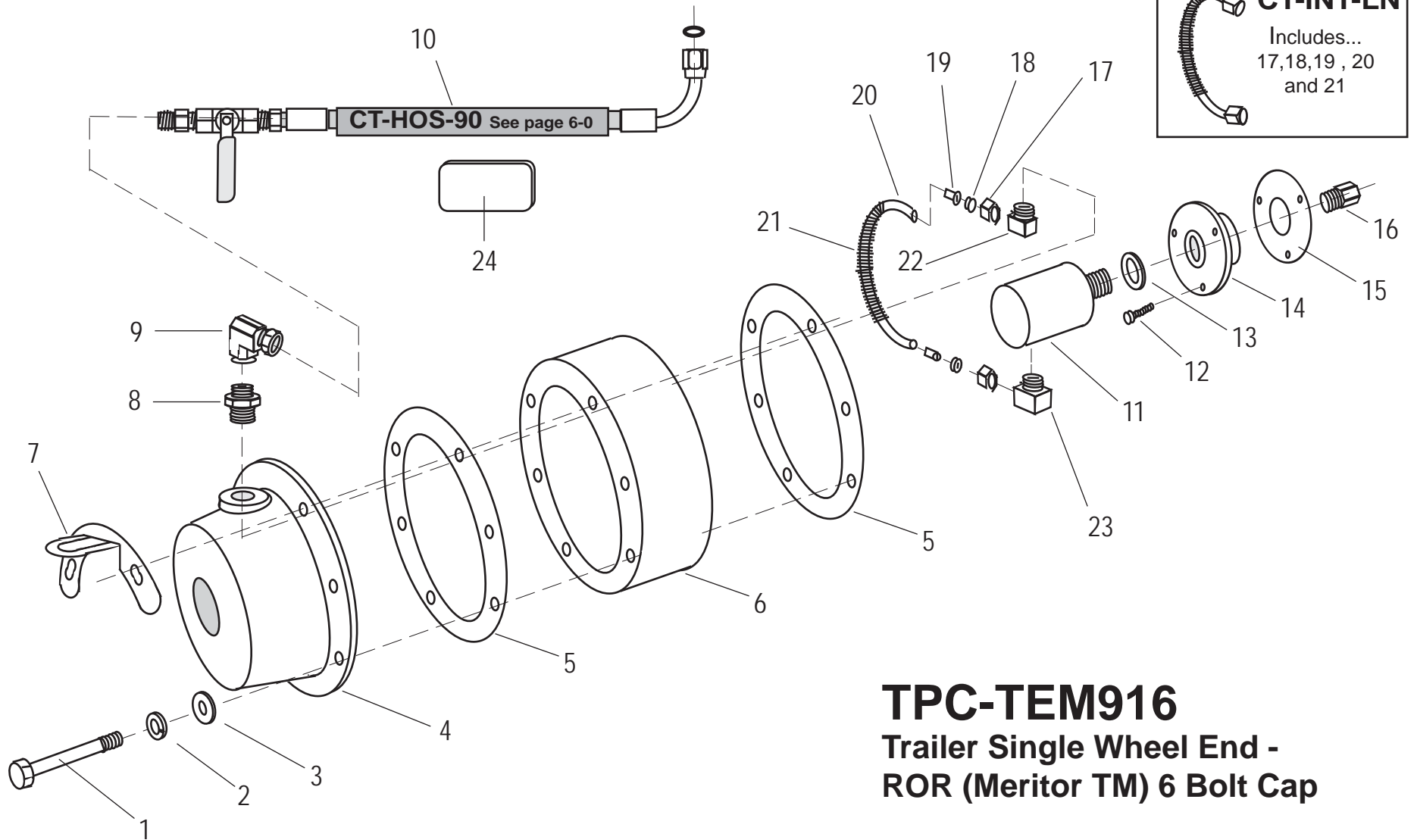
TPC-TEM915 Trailer Wheel End - ROR (Meritor TM) 6 Bolt Cap

Note...Trailer axle views shown in this section are of most common and current wheel end kits. Various other configurations exist depending upon trailer axle model. Contact TPC International for more information and part identification.

**TPC-TEM915
Trailer Wheel End - ROR (Meritor TM) 6 Bolt Cap**

REF NUMBER	ITEM NUMBER	DESCRIPTION	NOTES	PER WHL END
				REQ QTY
1	225-0950	LOCK TAB	5	1
2	CT-HOS-IN	INNER WHEEL END HOSE		1
3	CT-HOS-OT	OUTER WHEEL END HOSE		1
4	225-1101	HUB CAP TEE	5	1
5	225-1025	HUB CAP FITTING	5	1
6	200-8110	BOLT (Metric) M8 x 110 mm GRADE 5		6
7	516LW	LOCK WASHER		6
8	516FWSAE	FLAT WASHER		6
9	203-4009	PLASTIC HUB CAP	5	1
10	330-3009	HUB GASKET		2
11	299-3810	HUB SPACER (5 1/2 BOLT CIRCLE X 3 3/16" WIDTH)		1
12	F65	INSERT	5	2
13	225-4805	FERRULE	5	2
14	669-5C	FITTING		1
15	1115-157-238	ROTARY UNION	4	1
16	275-1800-A	SPINDLE END PLUG ADAPTOR (Instructions 275-1700DOC)		2
17	661-5	COMPRESSION NUT		2
18	225-0132	TEFLON WHEEL GUARDS	1	2
19	225-1368	PUSH TO LOCK FITTING		1
20	1105-070	ROTARY UNION SEALING WASHER	2	1
21	12040	INTERNAL AIR LINE	5 3	1
22	311-605	INTERNAL AIR LINE SPRING GUARD	5	1
23	169C-5-4	FITTING	5	1

- NOTES**
- 1 ADHESIVE GUARD FOR WHEEL END HOSE ATTACHED TO RIM
 - 2 INCLUDED WITH PART # 1115-157-238 ROTARY UNION
 - 3 CUT TO LENGTH IF REQUIRED
 - 4 ROTARY UNIONS DO NOT REQUIRE LUBRICATION WHEN USED IN TRAILER WHEEL END APPLICATIONS
 - 5 INCLUDED IN CAP ASSEMBLY (CT-CAP-GR)

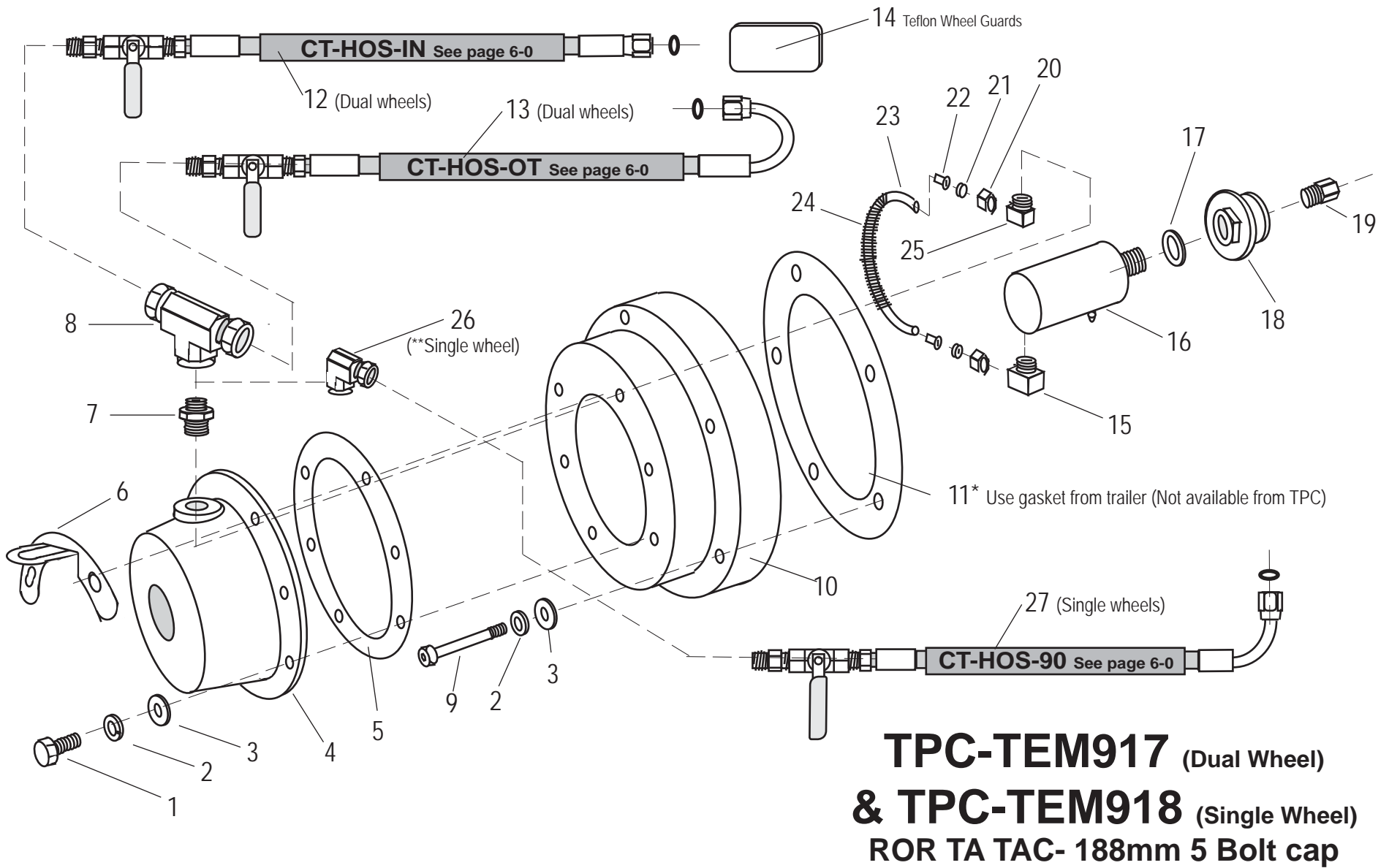


TPC-TEM916 Trailer Single Wheel End - ROR (Meritor TM) 6 Bolt Cap

**TPC-TEM916
Trailer Single Wheel End - ROR (Meritor TM) 6 Bolt Cap**

REF NUMBER	ITEM NUMBER	DESCRIPTION	NOTES	PER WHL END
				REQ QTY
1	200-8110	BOLT (Metric) M8 x 110 mm GRADE 5		6
2	516LW	LOCK WASHER		6
3	516FWSAE	FLAT WASHER		6
4	203-4009	HUB CAP		1
5	330-3009	HUB GASKET		2
6	299-3810	HUB SPACER (5 1/2 BOLT CIRCLE X 3 3/16" WIDTH)		1
7	225-0950	LOCK TAB		1
8	225-1025	HUB CAP FITTING		1
9	244-1124	-4 NPSM FEMALE SWIVEL X 1/4 MALE NPT 45		
10	CT-HOS-90	WHEEL END HOSE and BALL VALVE		
11	1102-208-210SP	SHORT ROTARY UNION - Nut and threads machined	②	1
12	235-9023	10-24 X 1/2 Adaptor Screws		
13	1105-070	ROTARY UNION SEALING WASHER	①	1
14	299-4121	AXLE PLUG ADAPTOR		1
15	296-4121	AXLE PLUG ADAPTOR GASKET		
16	225-1368	PUSH TO LOCK FITTING		1
17	661-5	COMPRESSION NUT		2
18	225-4805	FERRULE		2
19	F65	INSERT		2
20	12040	INTERNAL AIR LINE		1
21	311-605	INTERNAL AIR LINE SPRING GUARD		1
22	169C-5-4	FITTING		1
23	669-5C	FITTING		1
24	CT-AWG-TF	TEFLON WHEEL GUARDS		2

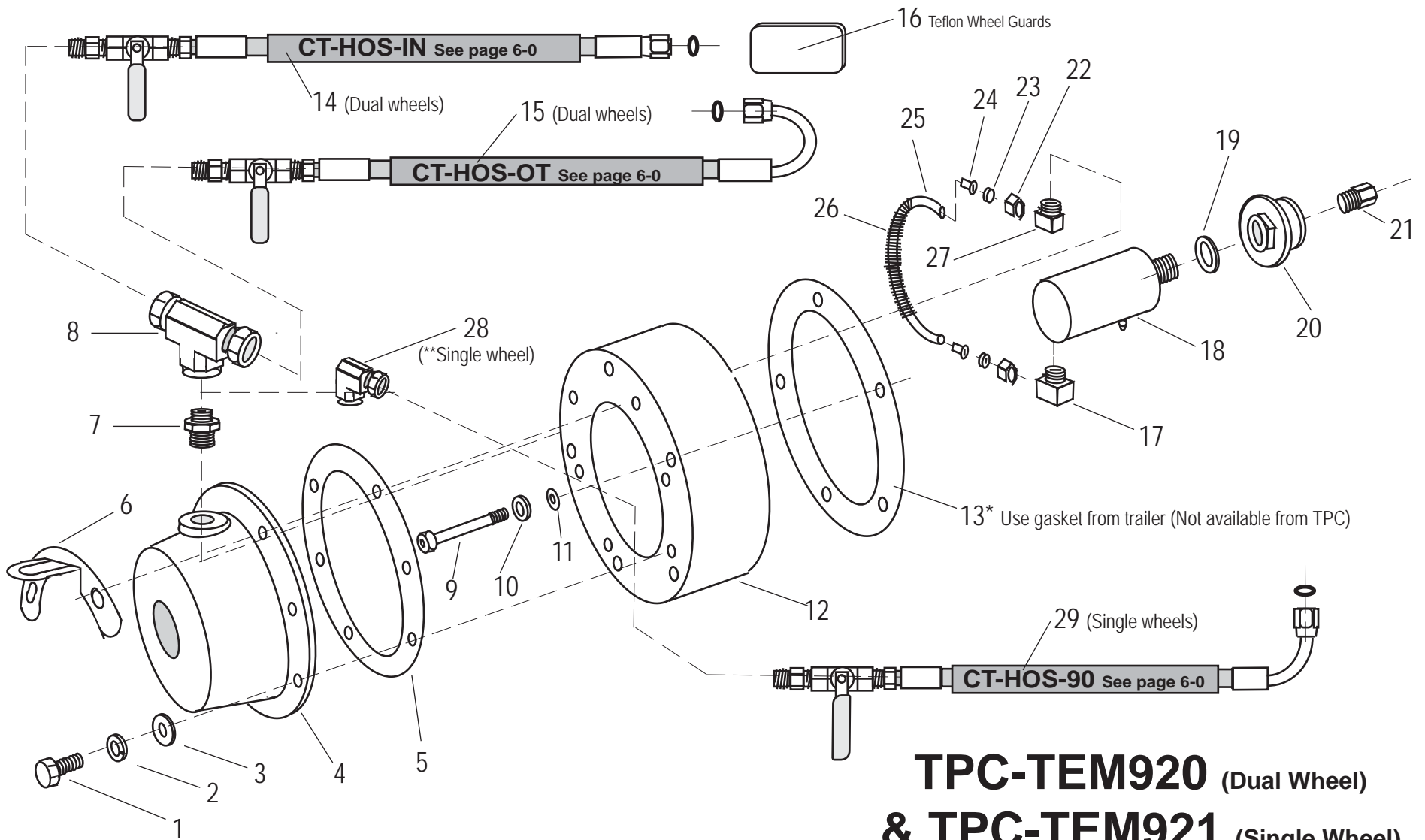
- NOTES**
- ① INCLUDED WITH PART # 1115-157-238 ROTARY UNION
 - ② ROTARY UNIONS DO NOT REQUIRE LUBRICATION WHEN USED IN TRAILER WHEEL END APPLICATIONS



TPC-TEM917 (Dual Wheels) & **TPC-TEM918** (Single Wheels)
Trailer Wheel End - ROR TA TAC - 188 mm 5 Bolt cap

REF NUMBER	ITEM NUMBER	DESCRIPTION	NOTES	PER WHL END
				REQ QTY
1	200-0825	BOLT M8 x 25 mm		6
2	516LW	LOCK WASHER		11
3	516FWSAE	FLAT WASHER		11
4	203-4009	PLASTIC HUB CAP		1
5	330-3009	HUB GASKET		2
6	225-0950	LOCK TAB		1
7	225-1025	HUB CAP FITTING		1
8	225-1101	HUB CAP TEE		1
9	200-0825	M8 Bolt x 25mm		5
10	299-0917	HUB SPACER (ROR 188 mm)		1
11		GASKET (use trailer gasket) not available from TPC		1
12	CT-HOS-IN	INNER WHEEL END HOSE and BALL VALVE - DUAL WHEELS ONLY		
13	CT-HOS-OT	OUTER WHEEL END HOSE and BALL VALVE - DUAL WHEELS ONLY		
14	CT-AWG-TF	TEFLON WHEEL GUARDS	③	2
15	669-5C	FITTING		1
16	1115-157-238	ROTARY UNION	②	1
17	1105-070	ROTARY UNION SEALING WASHER	①	1
18	275-1700-A	SPINDLE END PLUG ADAPTOR (INSTRUCTIONS 275-1700DOC)		1
19	225-1368	FITTING		1
20	661-5	COMPRESSION NUT		2
21	225-4805	FERRULE		1
22	F65	INSERT		1
23	12040	INTERNAL AIR LINE		1
24	311-605	INTERNAL AIR LINE GUARD		1
25	169C-5-4	FITTING		1
26	244-1124	- 4 NPSM FEMALE SWIVEL X 1/4 MALE NPT 45 -SINGLE WHEEL ONLY		
27	CT-HOS-90	WHEEL END HOSE and BALL VALVE - SINGLE WHEELS ONLY		

- NOTES**
- ① INCLUDED WITH Part # 115-157-238
 - ② ROTARY UNIONS DO NOT REQUIRE LUBRICATION WHEN USED IN TRAILER WHEEL END APPLICATIONS
 - ③ ADHESIVE GUARD FOR WHEEL END HOSE ATTACHED TO RIM



TPC-TEM920 (Dual Wheel)
& TPC-TEM921 (Single Wheel)
ROR LM9300 and ROR LM LMC 12T
- 163mm 5 Bolt cap

TPC-TEM920(Dual Wheels) & **TPC-TEM921**(Single Wheels)

Trailer Wheel End - ROR 9300 - 5 Bolt cap

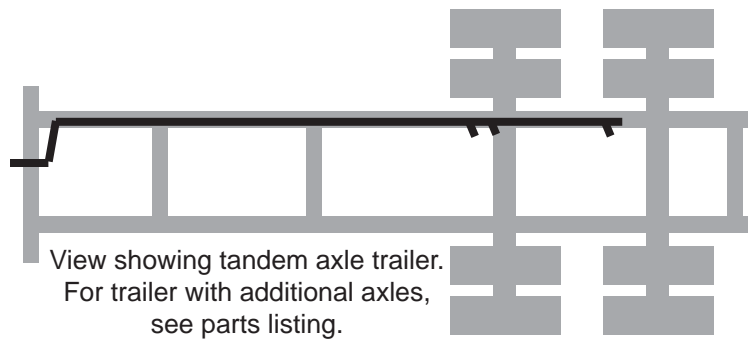
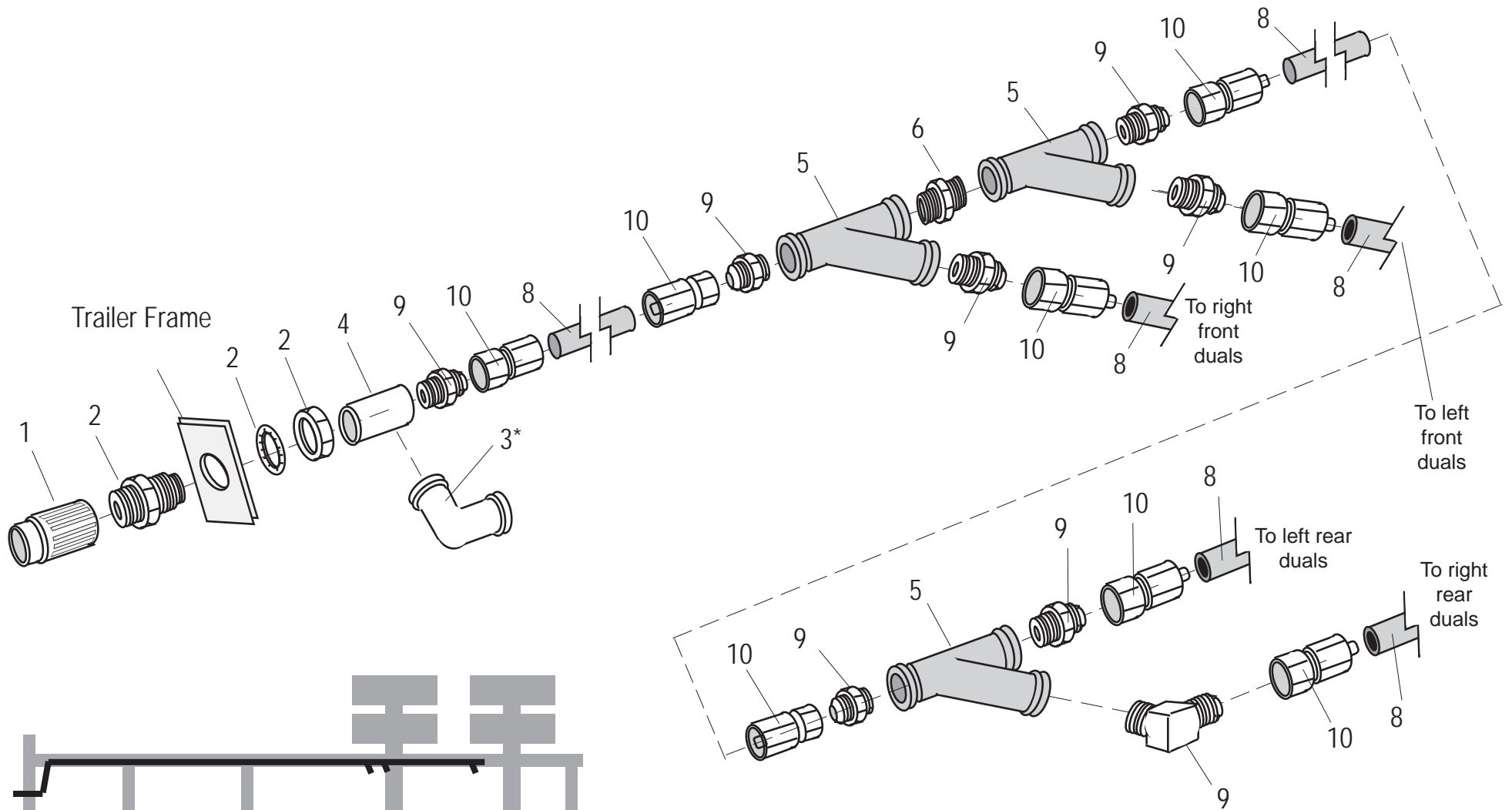
REF NUMBER	ITEM NUMBER	DESCRIPTION	NOTES	PER WHL END
				REQ QTY
1	200-0825	BOLT M8 x 25 mm		6
2	516LW	LOCK WASHER		6
3	516FWSAE	FLAT WASHER		6
4	203-4009	PLASTIC HUB CAP		1
5	330-3009	HUB GASKET		2
6	225-0950	LOCK TAB		1
7	225-1025	HUB CAP FITTING		1
8	225-1101	HUB CAP TEE		1
9	200-0890	M8 x 90mm		5
10	516LWHC	LOCK WASHER		5
11	266-1722	COPPER WASHER		5
12	299-9300	HUB SPACER (ROR MERITOR TM)		1
13		GASKET (use trailer gasket) not available from TPC		1
14	CT-HOS-IN	INNER WHEEL END HOSE and BALL VALVE - DUAL WHEELS ONLY		
15	CT-HOS-OT	OUTER WHEEL END HOSE and BALL VALVE - DUAL WHEELS ONLY		
16	CT-AWG-TF	TEFLON WHEEL GUARDS	③	2
17	669-5C	FITTING		1
18	1115-157-238	ROTARY UNION	②	1
19	1105-070	ROTARY UNION SEALING WASHER	①	1
20	275-1700-A	SPINDLE END PLUG ADAPTOR (INSTRUCTIONS 275-1700DOC)		1
21	225-1369	FITTING		1
22	661-5	COMPRESSION NUT		2
23	225-4805	FERRULE		1
24	F65	INSERT		1
25	12040	INTERNAL AIR LINE		1
26	311-605	INTERNAL AIR LINE GUARD		1
27	169C-5-4	FITTING		1
28	244-1124	- 4 NPSM FEMALE SWIVEL X 1/4 MALE NPT 45 -SINGLE WHEEL ONLY		
29	CT-HOS-90	WHEEL END HOSE and BALL VALVE - SINGLE WHEELS ONLY		

- NOTES**
- ① INCLUDED WITH Part # 115-157-238
 - ② ROTARY UNIONS DO NOT REQUIRE LUBRICATION WHEN USED IN TRAILER WHEEL END APPLICATIONS
 - ③ ADHESIVE GUARD FOR WHEEL END HOSE ATTACHED TO RIM

TRAILER AIR SUPPLY LINES (Plastic Main, Rubber Drop)

REF NUMBER	ITEM NUMBER	DESCRIPTION	NOTE	REQ QTY			
				<i>Single</i>	<i>Tandem</i>	<i>Tridem</i>	<i>Quad</i>
1	17	Quick Coupler		1	1	1	1
2	11300	Frame Nipple		1	1	1	1
3	1290	Pipe Elbow	❶	1	1	1	1
4	12WI	Pipe Coupler		1	1	1	1
5	C70BK	5/8 Plastic Tubing		AS REQ	AS REQ	AS REQ	AS REQ
6	1468-10-8	Compression Fitting		2	4	6	8
7	12Y	Wye Fitting		1	3	5	7
8	5404-8-8	Steel Pipe Nipple		N/A	1	2	3
9	54-8-8	Brass Fitting		1	1	1	1
10	200-1338	1/2 Artic Air Brake Hose		AS REQ	AS REQ	AS REQ	AS REQ
11	48-8-8	Adaptor		2	3	5	7
12	124708-408	Reuseable Hose End		2	4	6	8

NOTES ❶ Only used if straight coupler not appropriate

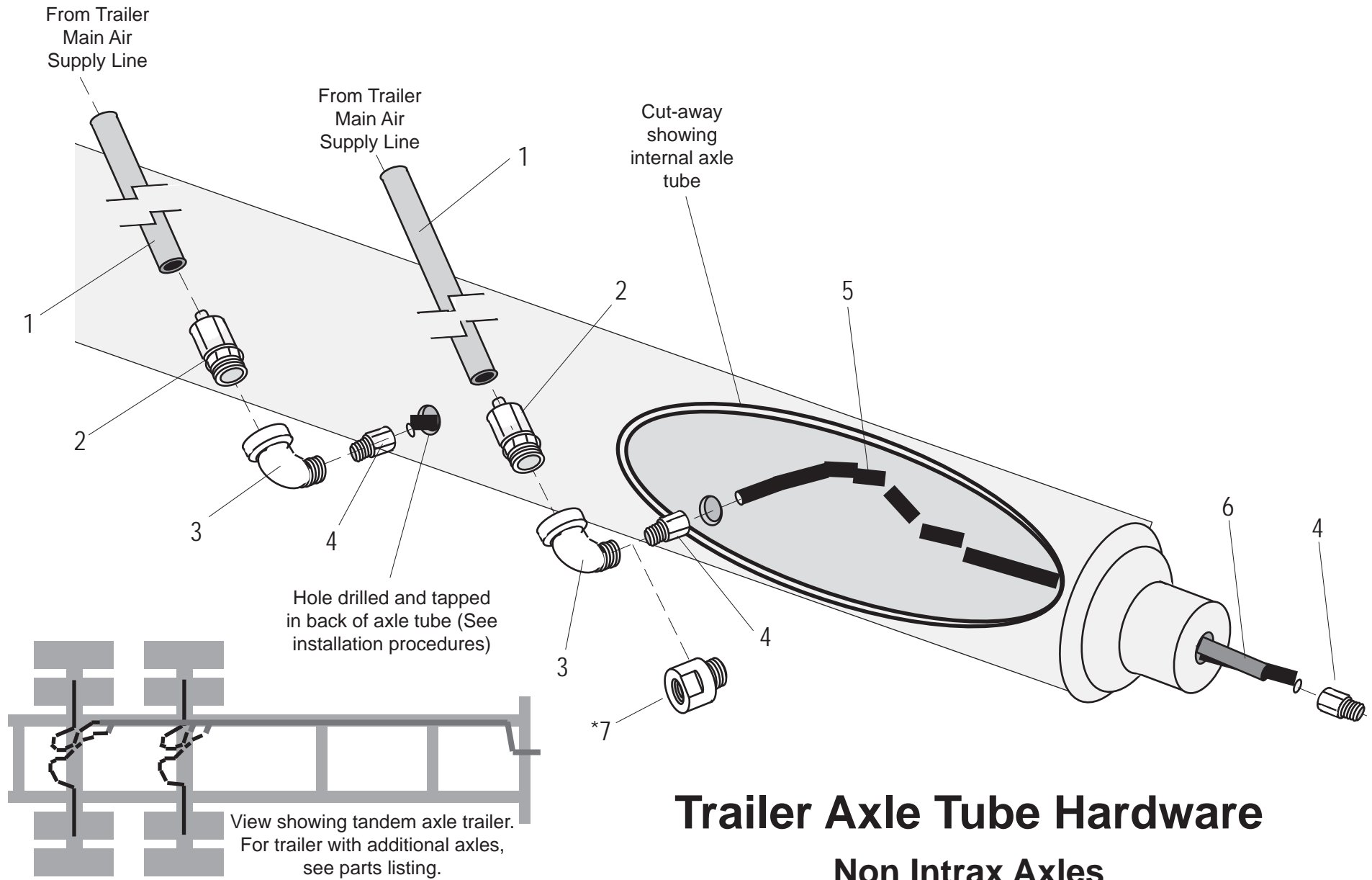


Trailer Main Air Supply Line (Rubber Main - Rubber Drop)

TRAILER AIR SUPPLY LINES (Rubber Main, Rubber Drop)

REF NUMBER	ITEM NUMBER	DESCRIPTION	NOTE	REQ QTY			
				<i>Single</i>	<i>Tandem</i>	<i>Tridem</i>	<i>Quad</i>
1	17	Quick Coupler		1	1	1	1
2	11300	Frame Nipple		1	1	1	1
3	1290	Pipe Elbow	❶	1	1	1	1
4	12WI	Pipe Coupler		1	1	1	1
5	12Y	Wye Fitting		1	3	5	7
6	5404-8-8	Steel Pipe Nipple		N/A	1	2	3
7	54-8-8	Brass Fitting		1	1	1	1
8	200-1338	1/2 Artic Air Brake Hose		AS REQ	AS REQ	AS REQ	AS REQ
9	48-8-8	Adaptor		3	7	11	15
10	124708-408	Reuseable Hose End		4	8	12	16

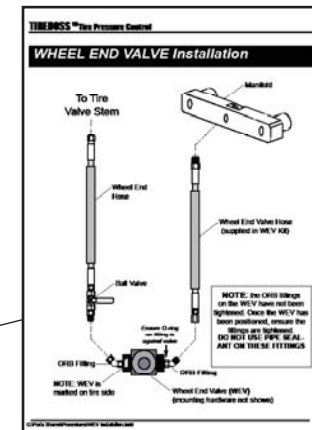
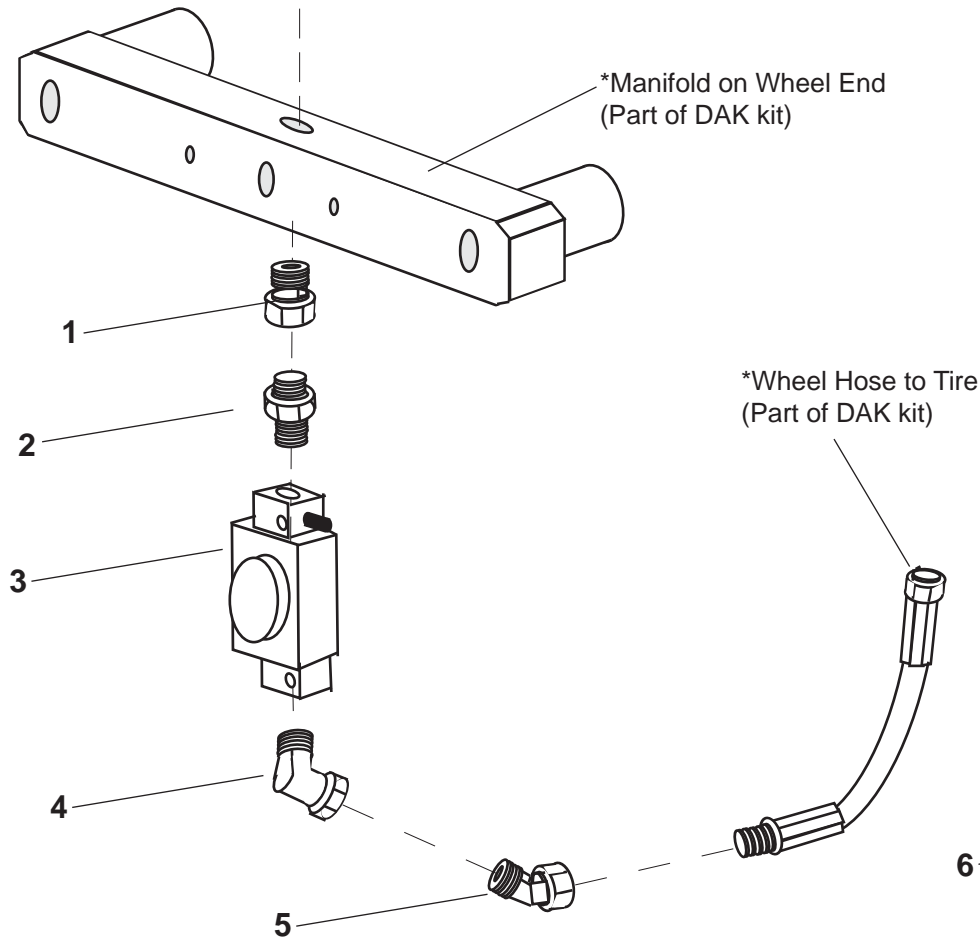
NOTES ❶ May use either straight or 90o depending on truck



TRAILER AXLE TUBE HARDWARE

REF NUMBER	ITEM NUMBER	DESCRIPTION	NOTE	REQ QTY			
				<i>Single</i>	<i>Tandem</i>	<i>Tridem</i>	<i>Quad</i>
1	200-1338	1/2 Artic Air Hose		AS REQ	AS REQ	AS REQ	AS REQ
2	124708-108	Reuseable Hose End		2	4	6	8
3	1290STR3000	Axle Tube Entry Fitting		2	4	6	8
4	225-1368	Push to Lock		4	8	12	16
5	C66BK	Plastic Tube		AS REQ	AS REQ	AS REQ	AS REQ
6	76-9941	Air Line Guard 6"		2	4	6	8
7	275-0500	Adapter	❶	2	4	6	8

❶ Only required for BPW BSP 1/2" Straight Threads



TPC-WEV100-M

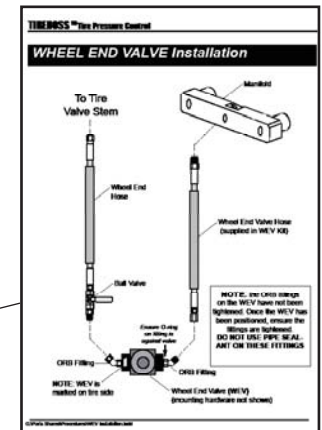
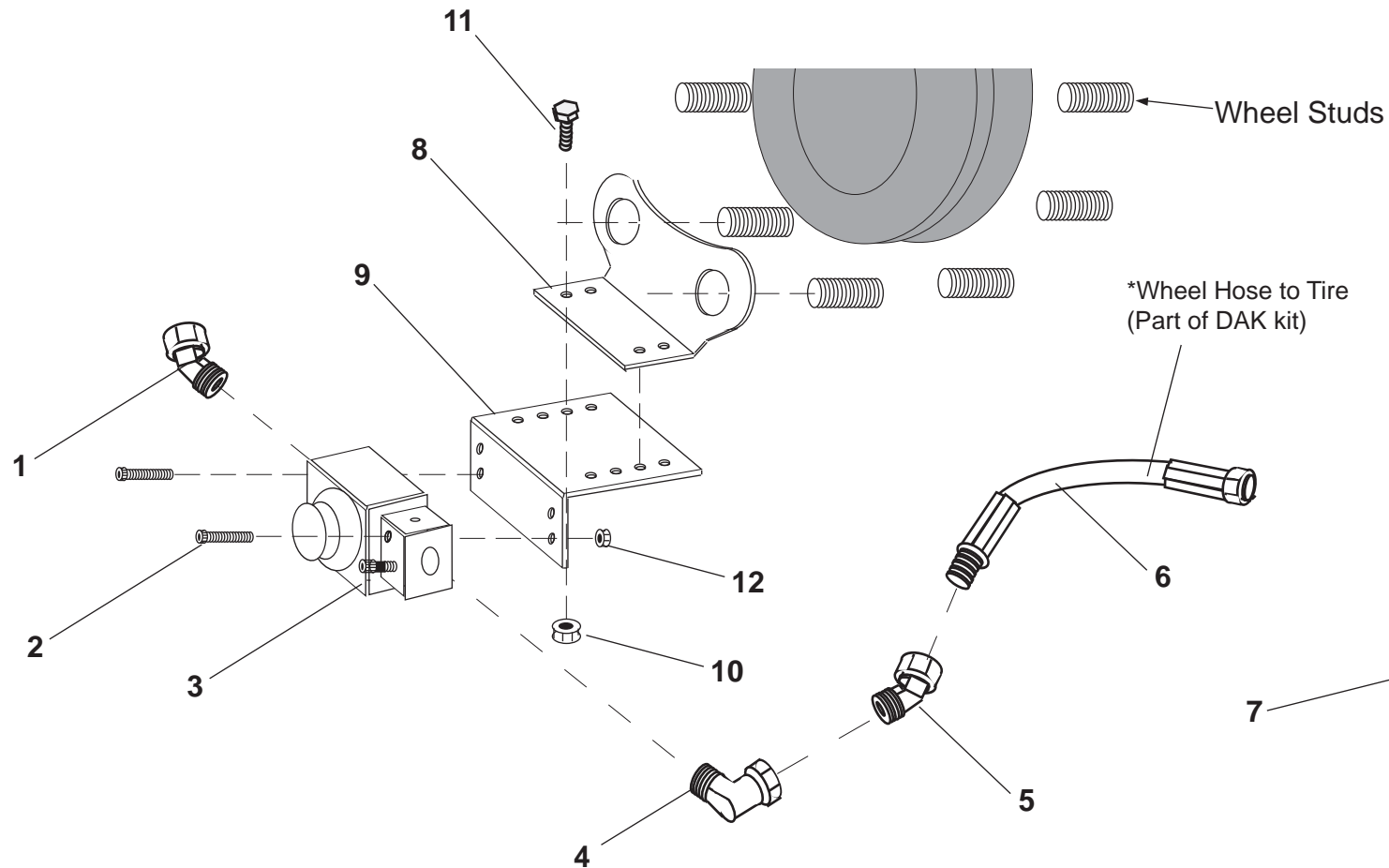
Wheel End Valve Manifold Mount (18-22 psi)

TIREBOSS

Tire Pressure Control System

TPC-WEV100-M Wheel End Valve Manifold Mount (18-22 psi)

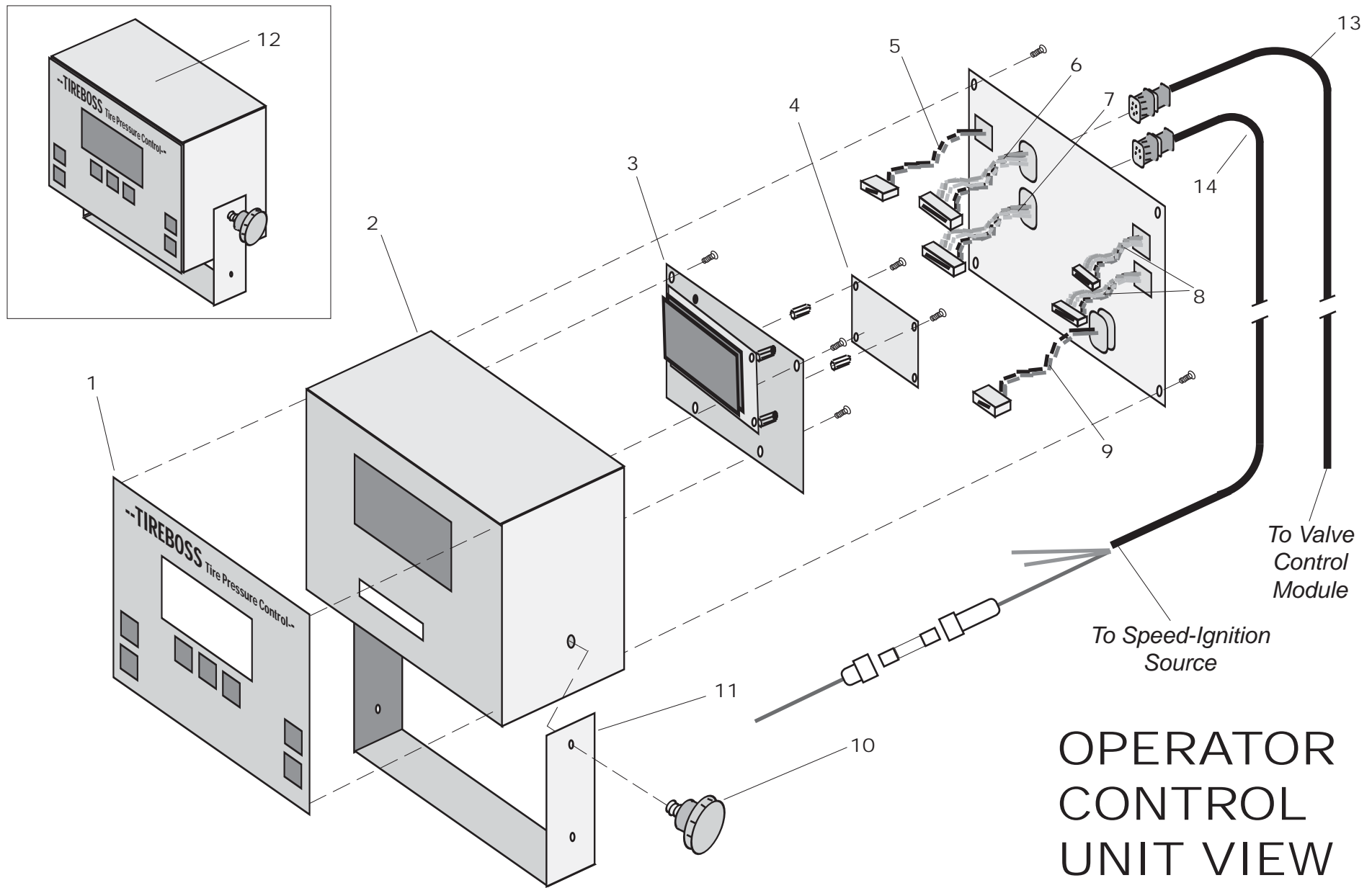
REF NUMBER	ITEM NUMBER	DESCRIPTION	NOTES	PER WHL END
				REQ QTY
1	225-1121	1/4" NPT x 3/8" FNPT Swivel		1
2	3249 - 06 - 06	#6 MORB x 3/8" NPT Nipple		1
3	299-2500	WHEEL END VALVE ASSEMBLY (18-22 PSI)		1
4	9515 - 04 - 04	#4 MORB X 1/4 FNPS 90 Degree		1
5	244-1124	-4 NPSM FEMALE SWIVEL X 1/4 MALE NPT 45 Degree		1
6	CT-WEV-DOC	Installation Instructions		1



TPC-WEV100 and TPC-WEV110 Wheel End Valve (18-22 psi) and Bracket Mount

TPC-WEV100 & TPC-WEV110
Wheel End Valve (18-22 psi) and Bracket Mount

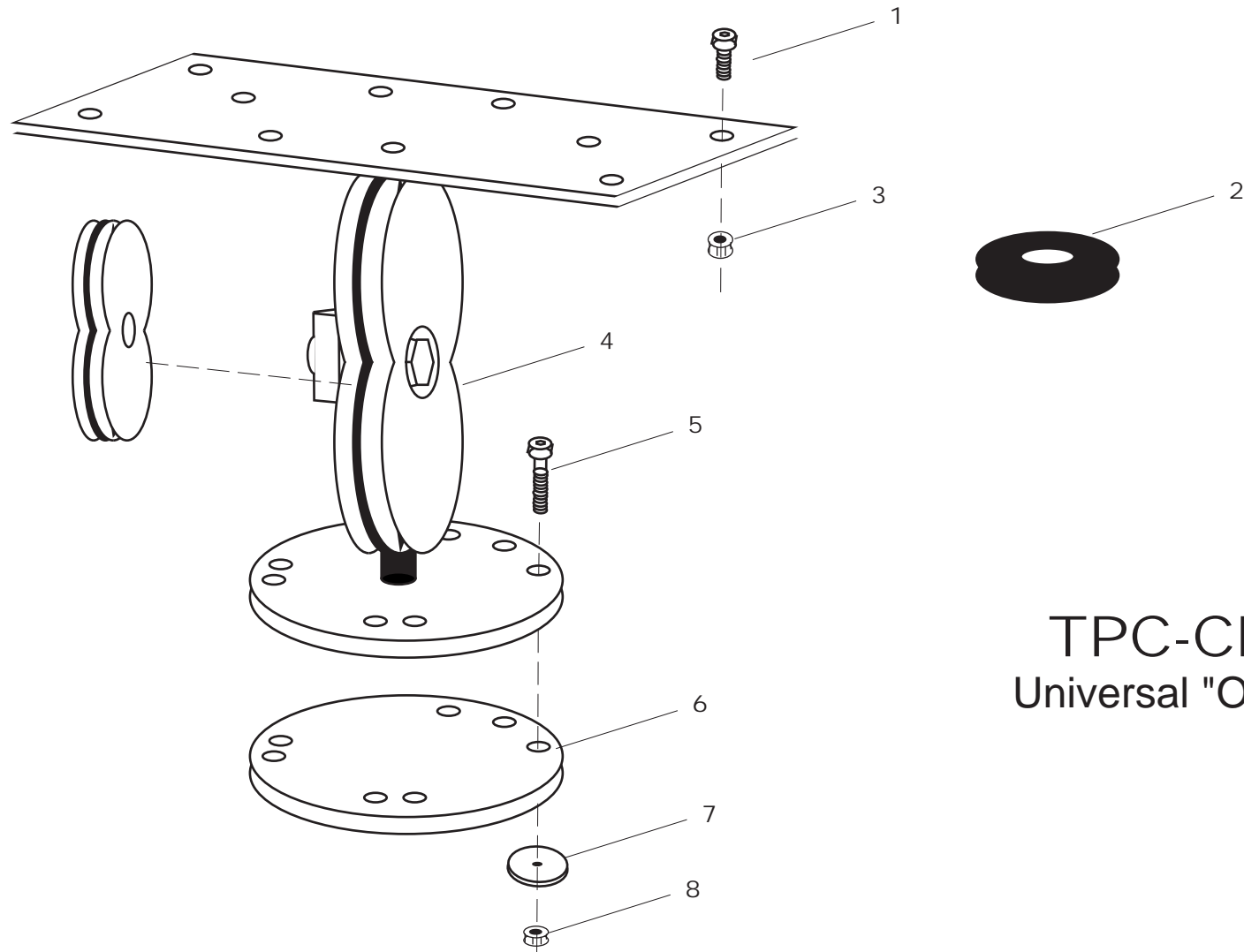
REF NUMBER	ITEM NUMBER	DESCRIPTION	PER WHL END	
			NOTES	REQ QTY
1	9365 - 04 - 04	#4 MORB X 1/4 FNPS 45 Degree		1
2	200-1610	10-24 x 1 1/4 Socket Cap Screw SS		2
3	299-2500	WHEEL END VALVE ASSEMBLY (18-22 PSI)		1
4	5365-6-6	#6 JIC x #6 ORB 45 Adaptor		1
5	244-1124	-4 NPSM FEMALE SWIVEL X 1/4 MALE NPT 45 Degree		1
6	CT-100-HA	WEV Hose 14"		1
7	CT-WEV-DOC	Installation Instructions		1
8	299-2510	Main WEV Mount Bracket		1
9	299-2520	WEV Auxillary Bracket		1
10	14NCLNG8	Grade 8 1/4 Lock Nut		2
11	1434NCG8	1/4 x 3/4 Grade 8 Bolt		2
12	288-1024	10-24 Stainless Steel Lock Nut		2



Operator Control Unit View

REF NUMBER	ITEM NUMBER	DESCRIPTION	NOTE	REQ QTY
1	200-1401	Face Plate with EL Lighting		1
2	200-4192	Housing		1
3	200-4315	OCU Main Board/Display Assembly, EMC capable	④ ⑤	1
4	200-4121	GPS Speed Board	①	1
5	200-4181	Power Switch with Harness		1
6	200-4177LG	Power/Data Socket with Harness		1
7	200-4178	Speed/Ignition OCU Control Socket with Blackout		1
8	200-4188	Programing and Data Stream Recepticle		2
9	200-4179	Sonalert with Harness	②	1
10	201-6861	Knob		2
11	200-1425	Operator Control Mount Bracket		1
12	200-6110	Operator Control Module (Requires Programming)	③ ④ ⑤	1
13	250-4185	Power/Data Cable (40')	⑥	1
14	200-4210	Speed Ignition Cable (15')	⑦	1

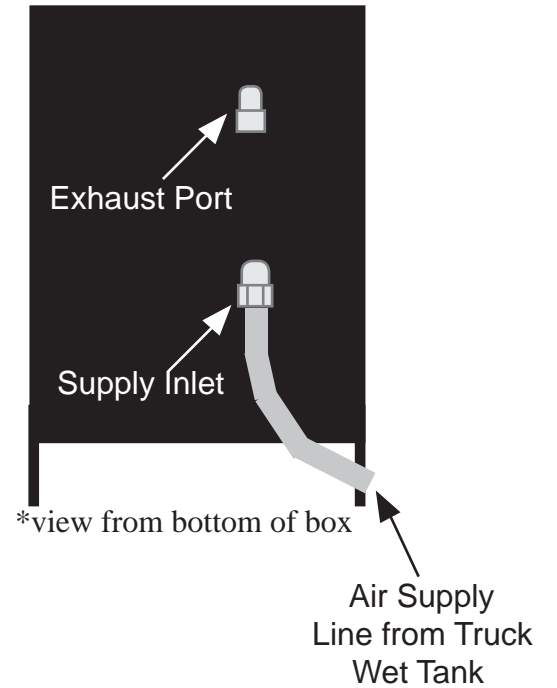
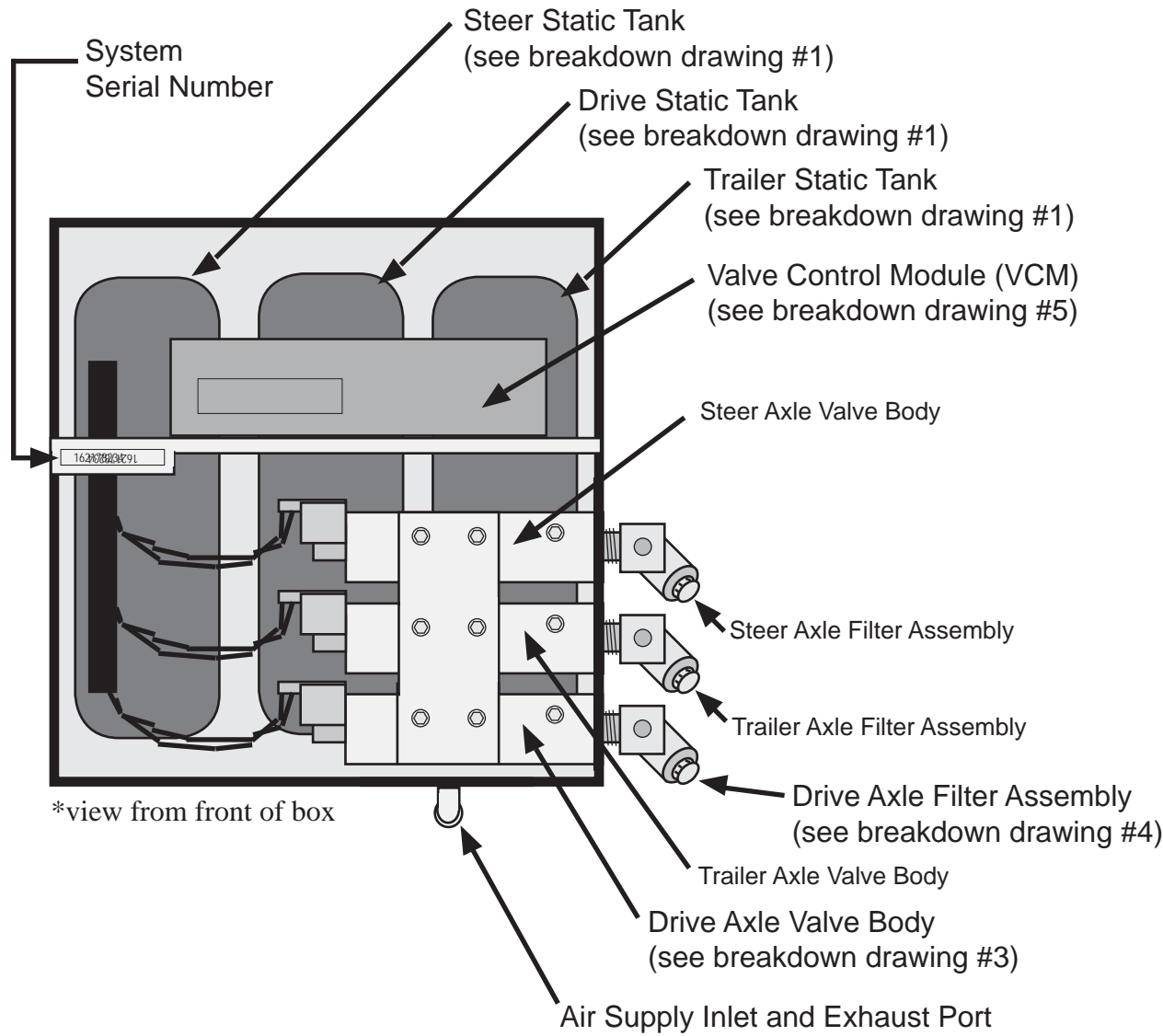
- NOTES**
- ① Can be positioned 2 ways, depending on speed input from truck (J1708/Pulse) Refer to installation guide for proper positioning
 - ② Must be glued to back of housing
 - ③ Requires programming before operating. Indicate system serial# when ordering so file can be downloaded into controller before shipping
 - ④ When programming Controller Circuit Boards must use VB Software 2.0.8.1 and newer.
 - ⑤ If updating Firmware on existing Controller, you must determine processor model on Circuit Board. Circuit Boards with processors with AT MEGA 103 & AT MEGA 128 OLD can only accept Firmware CABV202-236. Circuit boards with processors AT MEGA 128 can only accept Firmware CABV301 or newer.
 - ⑥ For Power/Data Cable Connector Repair Harness Use #CT-6PN-NEW
 - ⑦ For Speed/Ignition Cable Connector Repair Harness Use #CT-4PN-TB



TPC-CMB100
Universal "OCU" Bracket

TPC-CMB100 Universal "OCU" Bracket

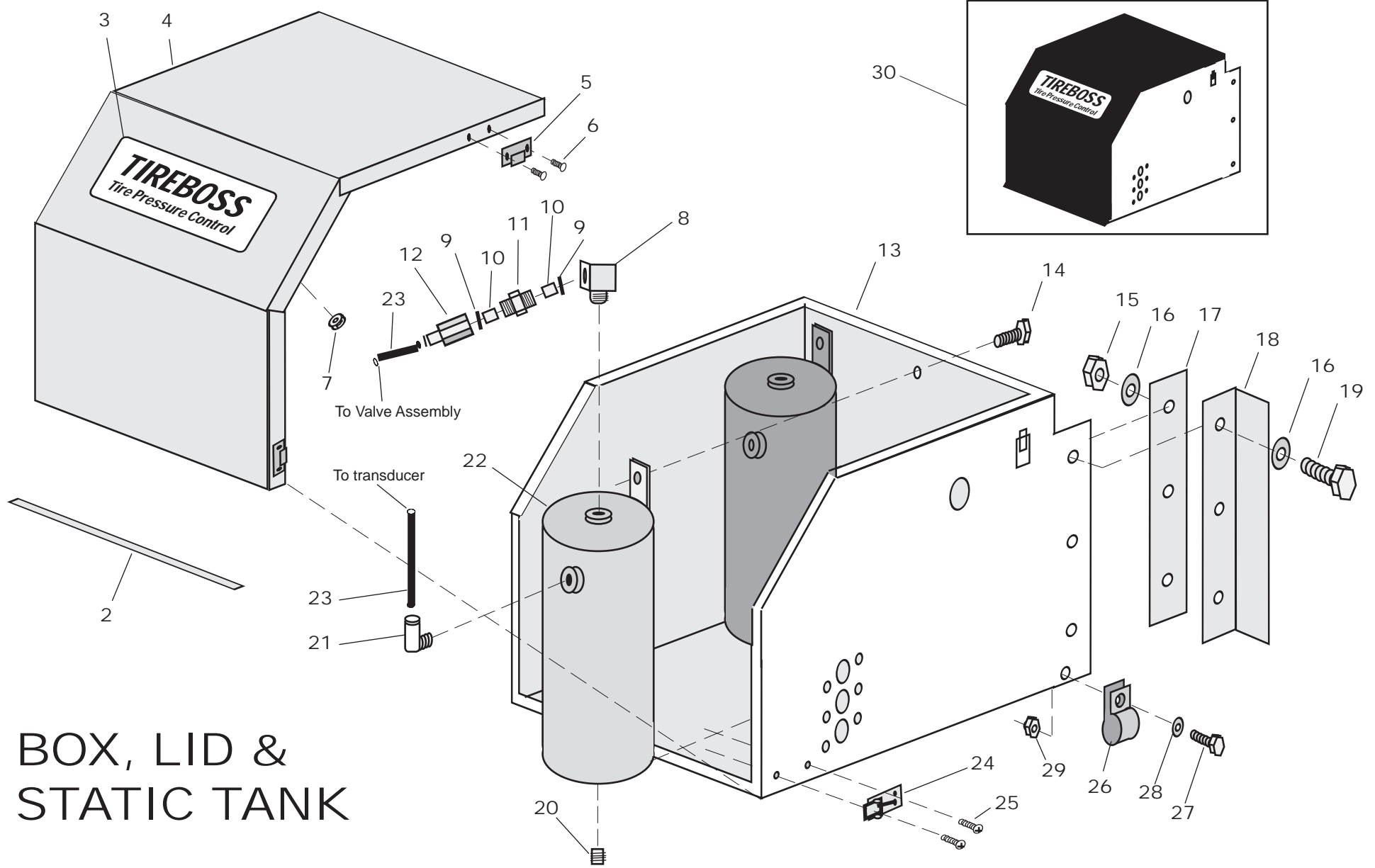
REF NUMBER	ITEM NUMBER	DESCRIPTION	NOTE	REQ QTY
1	110-2412	10-24 x 1/2 Socket Cao Screw		3
2	RB306	Grommet - Large		1
3	200-1024	10-24 KEPS Lock nut		3
4	RAM-B-111U-TB1-1	Ram Mount Dual Arm (includes optional 3 1/2 mount leg)		1
5	200-1611	10-24 x 1 Socket Cao Screw		4
6	RAM-BACK	Backing Plate for OCU RAM Mount		1
7	FWFZ316	3/16 Fender Washer		4
8	288-1024	10-24 Stainless Steel Lock nut		4



VALVE MODULE ASSEMBLY OVERVIEW

VALVE MODULE OVERVIEW

SYSTEM TYPE	TIRE GROUPS CONTROLLED	VALVE BODIES	FILTER ASSEMBLIES	STATIC TANKS
TBM100	Drives	1	1	1
TBM200	Drives and Trailers	2	2	2
TBM300	Drives, Trailers and Steer	3	3	3
TBM400	Drives and Steer	2	2	2



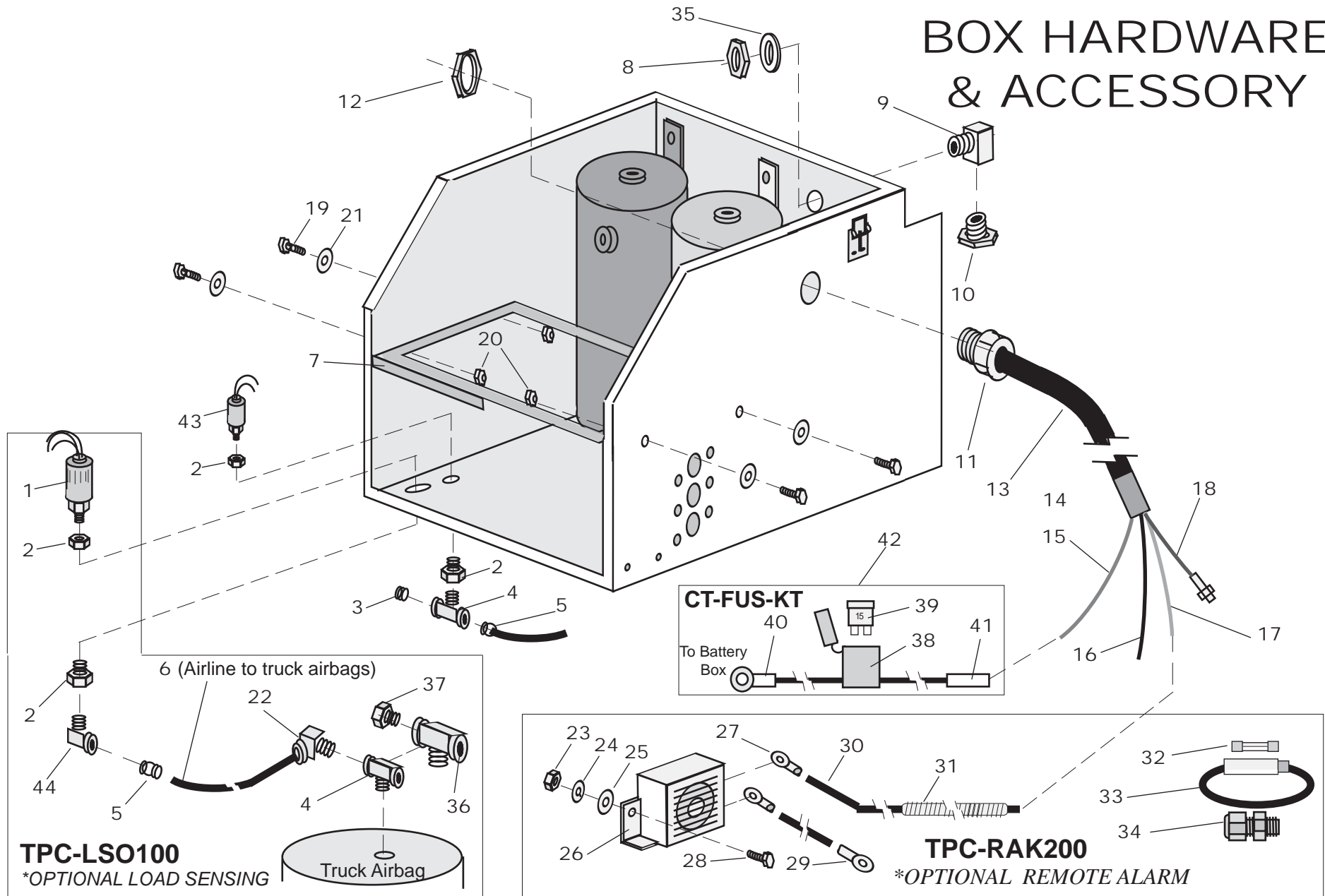
Box, Lid and Static Tank

REF NUMBER	ITEM NUMBER	DESCRIPTION	NOTE	REQ QTY			
				TBM100	TBM200	TBM300	TBM400
1							
2	223-7782	Foam Seal Tape		7'	7'	7'	7'
3	210-2500	Tireboss Decal		1	1	1	1
4	210-2000	Lid	c	1	1	1	1
5	272-0488	Catch		4	4	4	4
6	206-3238	6-32 x 3/8 Counter Sunk Screw		8	8	8	8
7	288-1024	Lock Nut		2	2	2	2
8	5502-4-4	Elbow		1	2	3	2
9	250-3000	Snap Ring	b	2	4	6	2
10	250-2525	Bronze Filter	b	2	4	6	2
11	250-0118	Orifice Fitting (included items #9 and 10)		1	2	3	2
12	1366-4B	Push to Lock		1	2	3	2
13	210-1000-M	Valve Box Container		1	1	1	1
14	51634SSNCSS	Bolt		2	4	6	4
15	12NCLNG8	Lock Nut		6	6	6	6
16	12FWG8	Flat Washer		12	12	12	12
17	CT-FBB-MF	Flat Box Bracket		2	2	2	2
18	CT-ABB-MF	Angle Box Bracket		2	2	2	2
19	12112NCG8	Bolt		6	6	6	6
20	247-003	Plug		1	2	3	2
21	244-1469	Push to Lock		1	2	3	2
22	202-0100	Static Tank		1	2	3	2
23	C64RD	Plastic Tubing	a	AS REQ	AS REQ	AS REQ	AS REQ
24	272-0135	Box Latch		4	4	4	4
25	206-3212	Screw 6-32 x 1/2 Counter Sunk Screw		8	8	8	8
26	900729-8	Hose Clamp		1	1	1	1
27	5161NC	Bolt		1	1	1	1
28	516FW	Flat Washer		2	2	2	2
29	516NCLN	Lock Nut		1	1	1	1
30	CT-BOX000	Box & Lid Assembly with Emblem & Latches		1	1	1	1

NOTES

- a) Use Red 1/4 tubing (#C64RD) for Drive Line, Blue 1/4 tubing (#C64BL) for Trailer Line and Green 1/4 tubing (#C64GN) for steer line
- b) Included in Valve Maintenance Kit Part#CT-VPO-TB
- c) For replacement Lid Assembly with latches & decal use Part # 210-3000

BOX HARDWARE & ACCESSORY

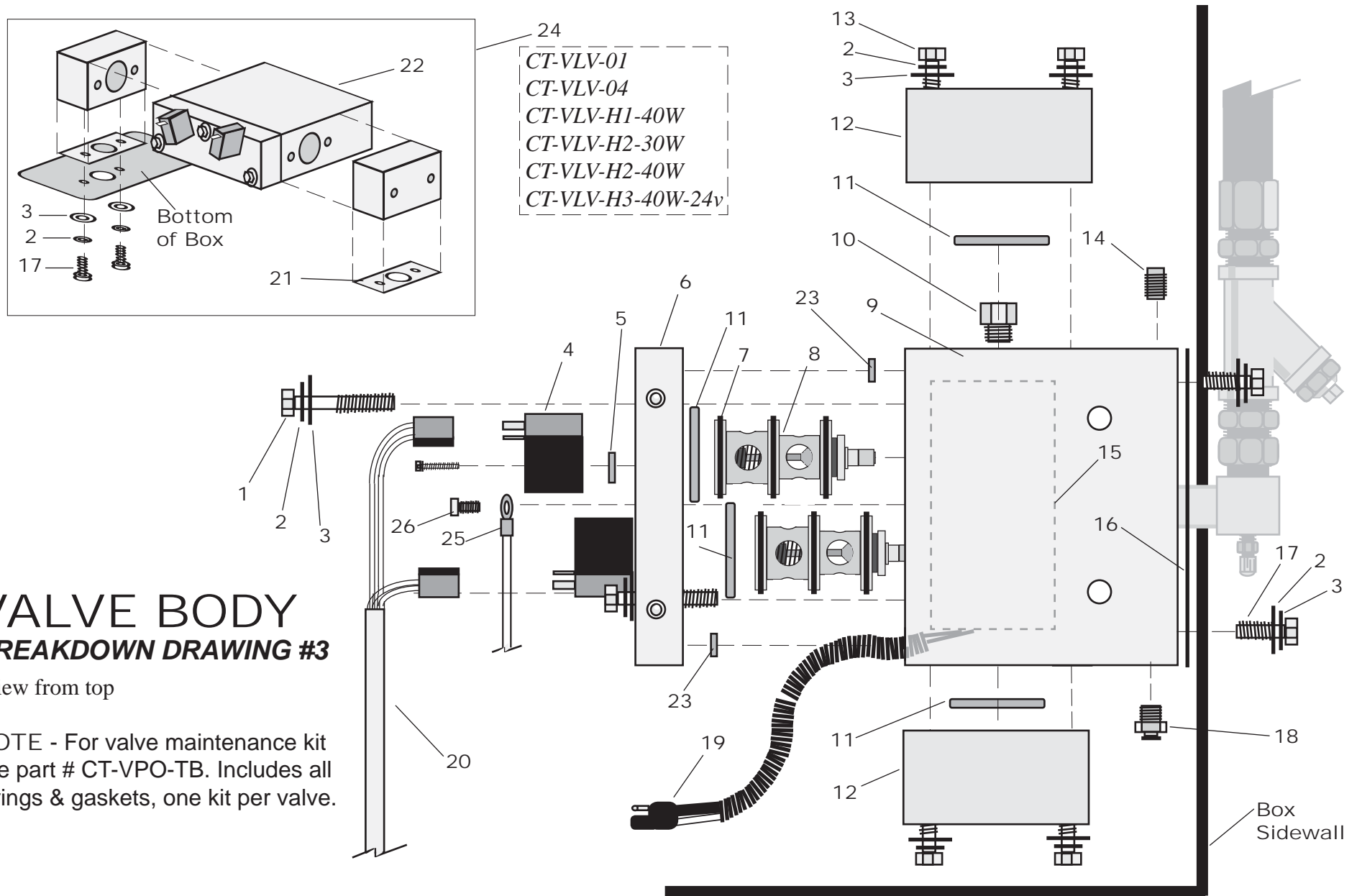


Box Hardware & Accessory

REF NUMBER	ITEM NUMBER	DESCRIPTION	NOTE	REQ QTY
1	266-1802	Load Sensitive Pressure Switch	a	1
2	264-1495	Frame Nipple	b	2
3	247-003	Plug	a	1
4	3600-4	Tee	a	2
5	1368-4B	Push to Lock Fitting	a	1
6	C64BK	Plastic Tubing	a	AS REQ
7	210-1100	CPU Mount Bracket		1
8	210-1118	Lock Nut		1
9	3400-8	Elbow		1
10	210-0800	Vent		1
11	200-1050	Strain Relief		1
12	200-1708	Lock Nut		1
13	65025	Cable Guard		4'
14	280-0125	Shrink Tube		1
15	282-1202	Battery Cable		AS REQ
16	282-2016	P/S Cable		AS REQ
17	282-2016	Accessory Cable		AS REQ
18	250-4185	Power/Data Cable (50')	c	1
19	210-1412	Bolt		4
20	14NCLN	1/4" Lock Nut		4
21	14FWSS	Flat Washer		4
22	1469-4-4	Compression Fitting	a	1
23	14NC	1/4 NC Nut	d	2
24	14LW	1/4 Lock Washer	d	2
25	14FW	1/4 Flat Washer	d	2
26	250	Alarm	d	1
27	23023	Eyelet Connector	d	2
28	141NC	1/4 Bolt 1 Inch	d	2
29	23024	Eyelet Connector	d	1
30	282-2016	Switch Cable	d	35'
31	283-8003	Wire Loom	d	30'
32	AGC-1	1 Amp In-line fuse	d	1
33	76-4083	Inline Fuse Holder	d	1
34	285-6097	Strain Relief	d	1
35	78FWG8	Flat Washer		1
36	3600-6	3/8 Branch Tee	e	1
37	3220-6-4	3/8 x 1/4 Bushing	e	1
38	249-6623	Fuse Holder	f	1
39	ATO15	15 Amp Fuse	f	1
40	276-2012	Non-Insulated Ring Terminal	f	1
41	276-2406	Non-Insulated Butt Terminal		1
42	CT-FUS-KT	Fuse Holder Assembly		1
43	200-3001	Pressure Sensing Switch		1
44	3400-4	Elbow		1

NOTES

- a) Optional Accessory used on trucks with Air Bag suspension
- b) Frame Nipple included on all systems even if it does not include Load Sense
- c) For Cable Connector Repair Harness use #CT-6PN-KT
- d) Optional Accessory used on trucks with Remote Alarm Kits
- e) Only required on trucks with 3/8" NPT Ports on air bags
- f) Included with Fuse Holder Assembly CT-FUS-KT

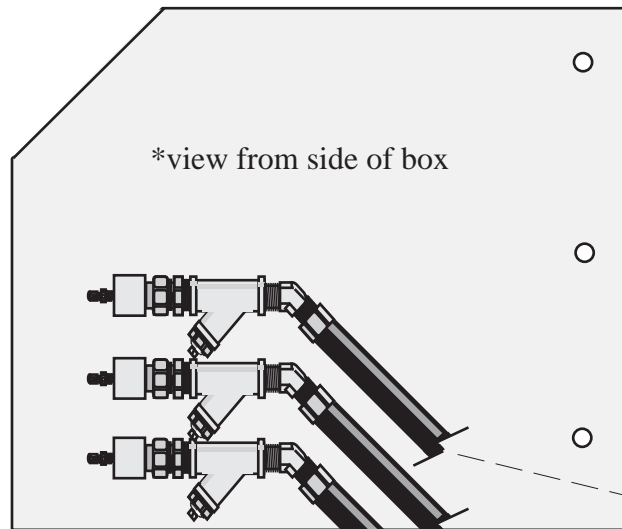


**Breakdown Drawing #3
VALVE BODY**

REF NUMBER	ITEM NUMBER	DESCRIPTION	NOTE	REQ QTY			
				TBM100	TBM200	TBM300	TBM400
1	201-2380	Bolt		3	6	9	6
2	14LWSS	Lock Washer Stainless Steel		13	22	31	22
3	14FWSS	Flat Washer Stainless Steel		13	22	31	22
4	201-6706	Solenoid		2	4	6	4
5	201-6022	Solenoid Seal		2	4	6	4
6	200-5005	Solenoid Plate		1	2	3	2
7	16000-026	O-ring	5	6	12	18	12
8	16750	Cartridge Valve		2	4	6	4
9	200-1394	Valve Body	1	1	2	3	2
10	200-2501	Inlet Check Valve		1	2	3	2
11	16000-293	O-ring		4	8	12	8
12	201-1395	Inlet/Exhaust Manifold (1 Zone System)		2	N/A	N/A	N/A
12	202-1395	Inlet/Exhaust Manifold (2 Zone System)		N/A	2	N/A	2
12	203-1395	Inlet/Exhaust Manifold (3 Zone System)		N/A	N/A	2	N/A
13	142NCSS	Bolt Stainless Steel		4	8	12	8
14	118-A	Plug		1	2	3	2
15	200-5422	Valve Heater (30W)	2 3 4	1	2	3	2
15	200-5419	Valve Heater (40W)	2 3 4	1	2	3	2
16	201-1445	Gasket		1	2	3	2
17	1434NCSS	Bolt		6	8	10	8
18	242-1468	Push to Lock Fitting		1	2	3	2
19	278-4640	Valve Heater Harness	2	1	2	3	2
20	CT-SOL-KT	Solenoid Harness		1	2	3	2
21	201-1438	Manifold Gasket		2	2	2	2
22	200-7070	Valve Assembly		1	2	3	1
23	16000-008	O-Ring		2	4	6	4
24		Entire Valve Assembly & Manifolds					
25	200-1440	Thermistor		1	2	3	2
26	50546	Retainer Screw		1	2	3	2

- NOTES**
- 1 For complete Valve assembly use #200-7070
 - 2 Optional Accessory only used when systems are operating in cold climates
 - 3 To upgrade Heaters from 30W to 40W you must order Valve Control Module Circuit Board (200-4175) (Model 1393-02)
 - 4 To determine the correct heater you must identify model # on Heater Pad. For HR5419R3.6L12B use 30W (200-5422)For HR5422R4.8L12B use 40W (200-5419)
 - 5 3 Included with Part #16750

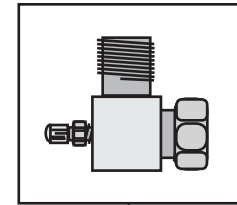
Filter Assemblies BREAKDOWN DRAWING #4



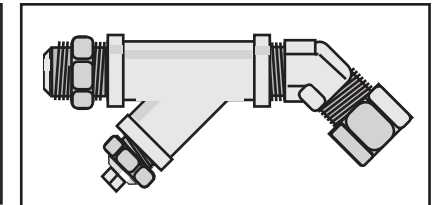
-Airline to Steer Axle (if equipped)

-Airline to Trailer Axles (if equipped)

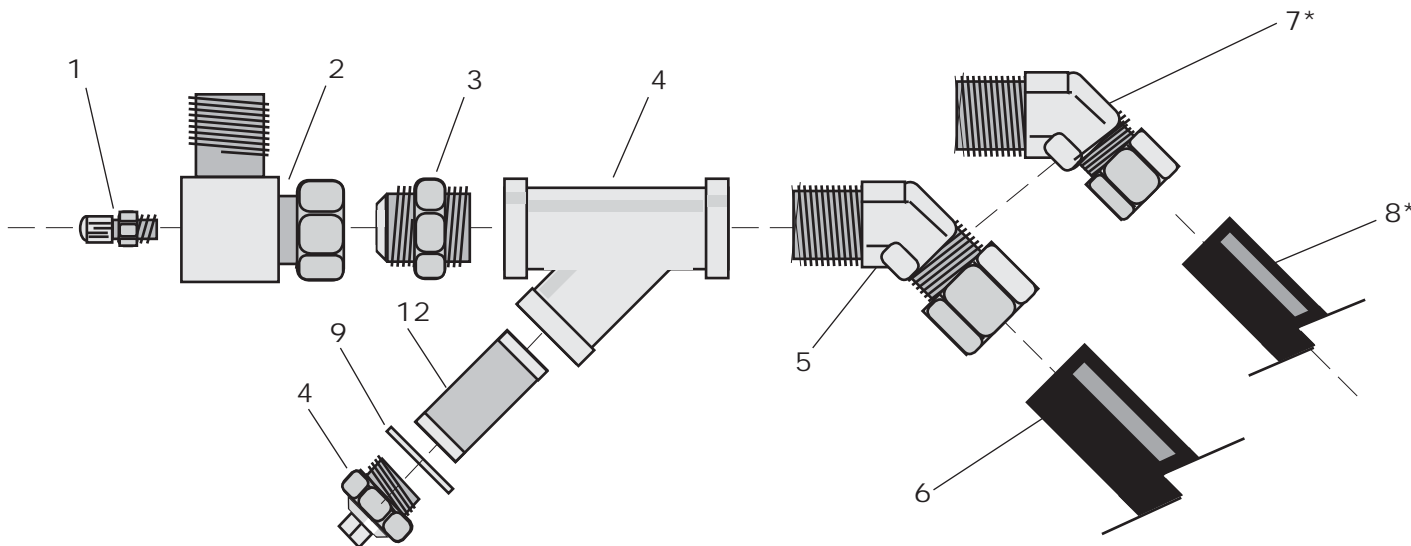
-Airline to Drive Axles



10



11



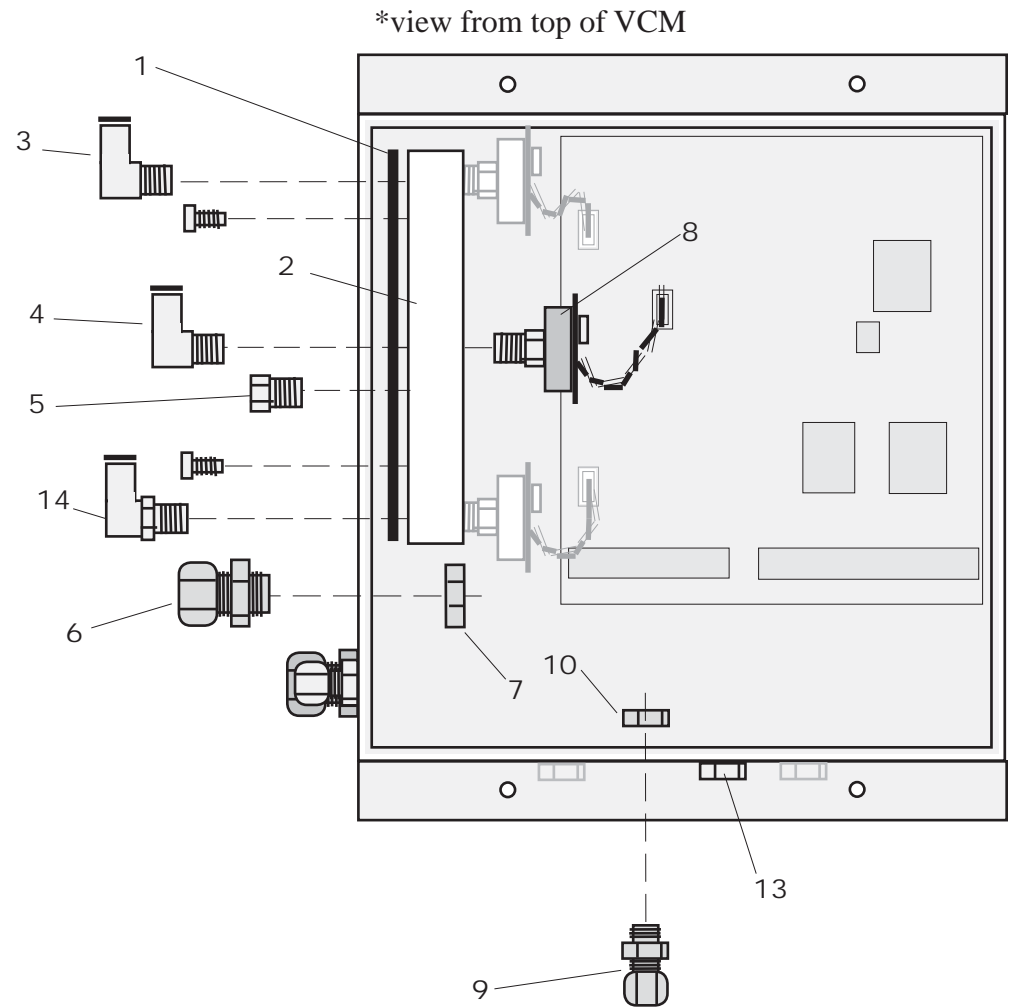
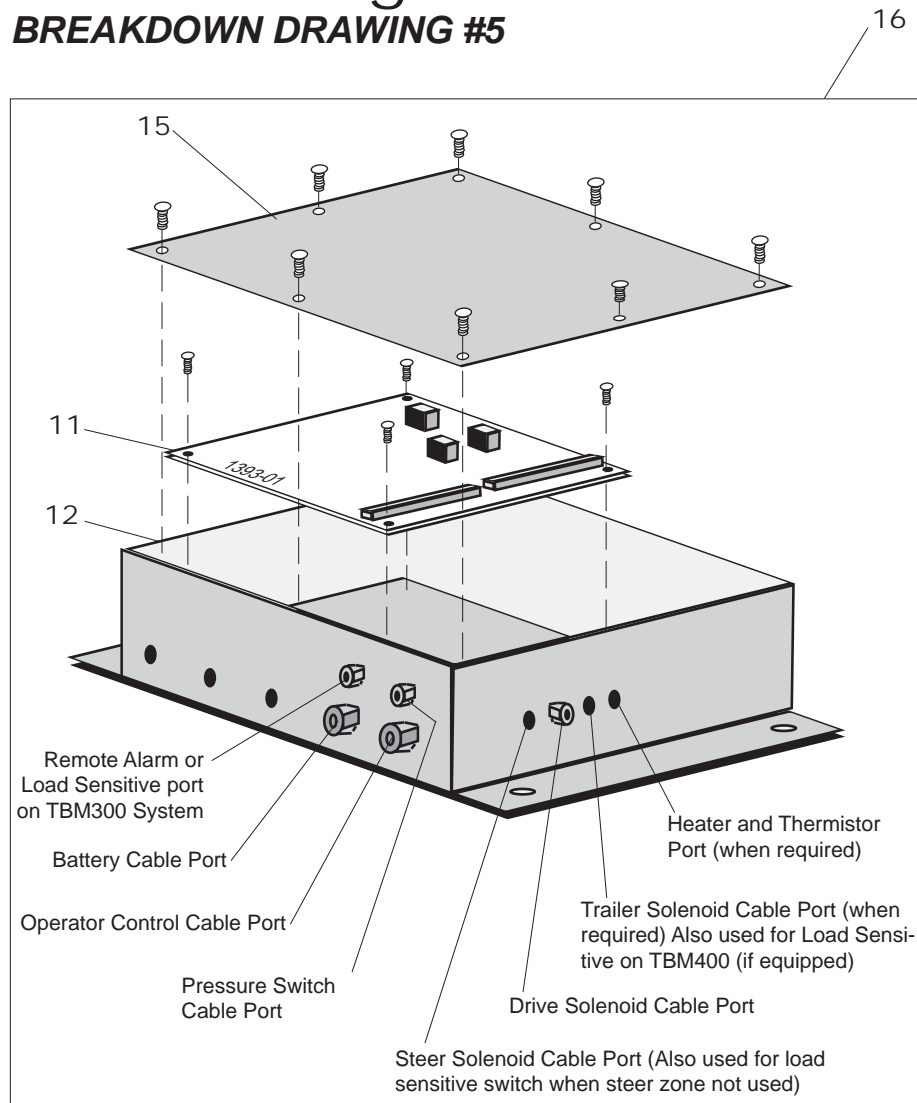
**Breakdown Drawing #4
Filter Assemblies**

REF NUMBER	ITEM NUMBER	DESCRIPTION	NOTE	REQ QTY			
				TBM100	TBM200	TBM300	TBM400
1	38-900	Shrader Valve		1	2	3	2
2	288-6501	Elbow & Valve Assembly		1	2	3	2
3	288-3748	Adaptor		1	2	3	2
4	59-003-01	Wye Filter (Body, cap and screen)		1	2	3	2
5	1474-10-8	Compression Fitting		1	2	2	1
6	C70BK	Plastic Tubing		AS REQ	AS REQ	AS REQ	AS REQ
7	1474-8-8	Compression Fitting	❶	N/A	N/A	1	1
8	C68BK	Plastic Tubing		N/A	N/A	AS REQ	AS REQ
9	259-0020	Wye Strainer Gasket		1	2	3	2
10	CT-SHR-KT	Shrader Valve Assembly		1	2	3	2
11	CT-YFL-KT	Wye Strainer Assembly	❸	1	2	3	2
12		Wye Strainer Screen	❷	1	2	3	2

- NOTES**
- ❶ 1/2 Compression Fitting & Tubing used for Steer Wye Filter only
 - ❷ Not Available Separately. Use 59-003-01
 - ❸ Not Available in an assembly for Steer Zone Components

VALVE CONTROL MODULE (VCM)

-First Design-
BREAKDOWN DRAWING #5



Breakdown Drawing #5
Valve Control Module (VCM) "FIRST DESIGN"

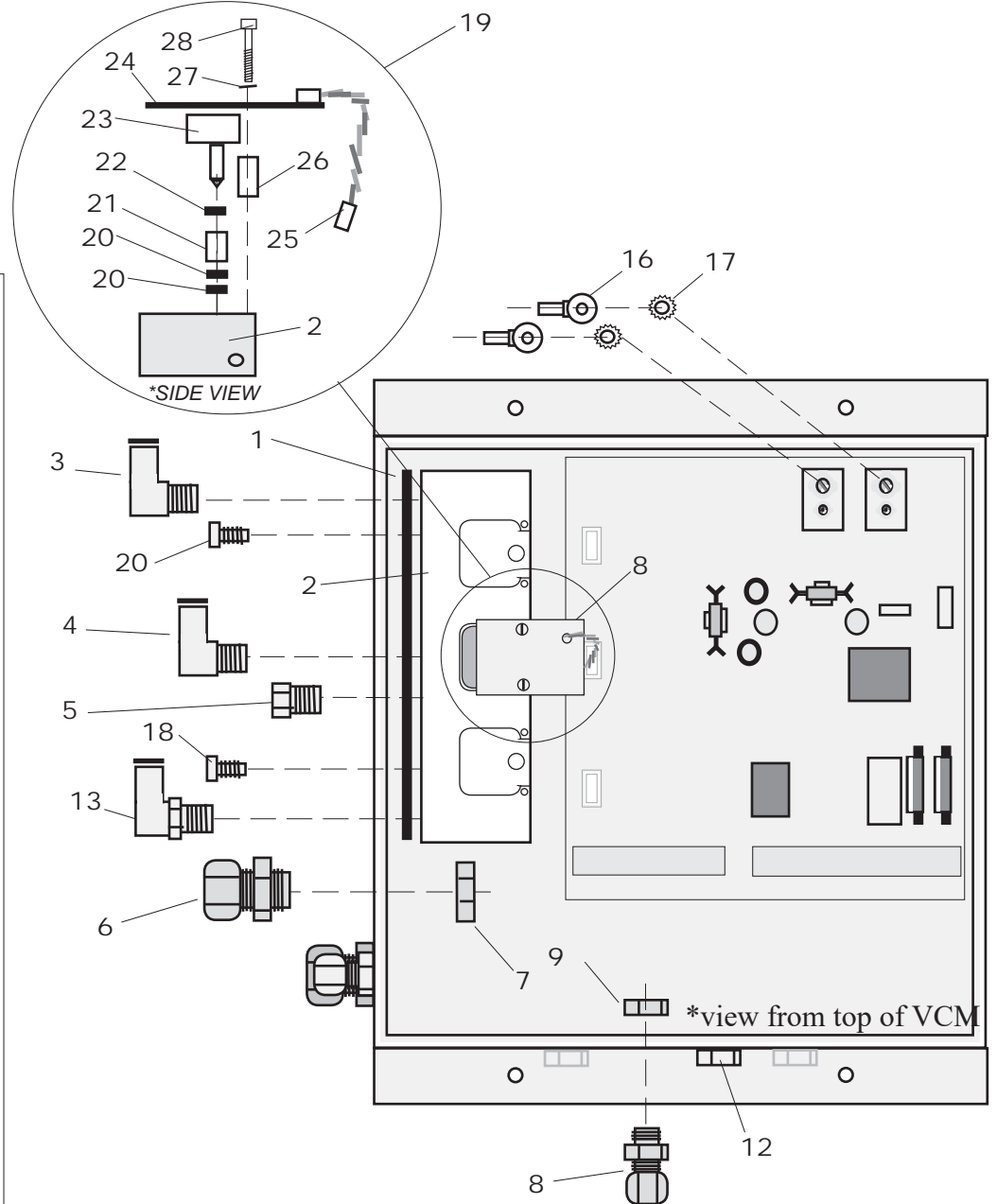
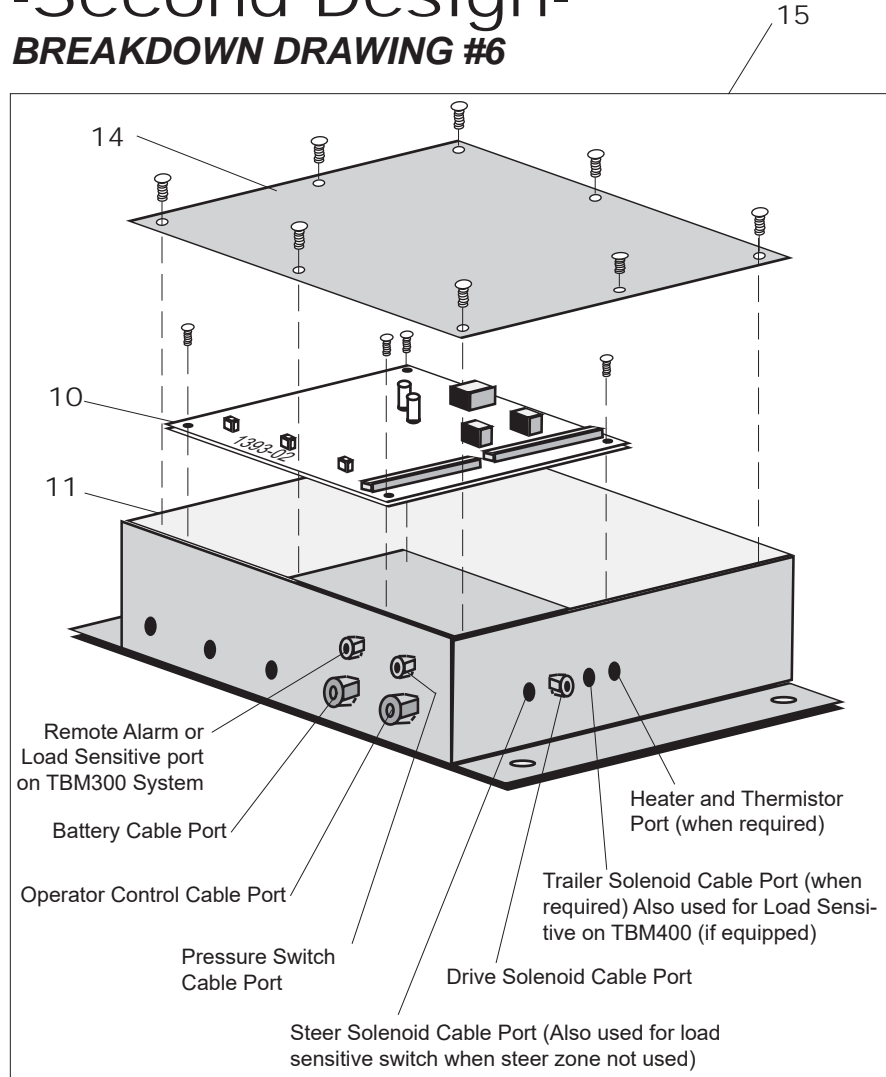
REF NUMBER	ITEM NUMBER	DESCRIPTION	NOTE	REQ QTY			
				TBM100	TBM200	TBM300	TBM400
1	200-1439	Transducer Manifold gasket		1	1	1	1
2	200-1399	Transducer manifold		1	1	1	1
3	1369-4A	Push to lock	②	N/A	N/A	1	1
4	1369-4A	Push to lock		1	1	1	1
5	210-0100	VCM Vent		1	1	1	1
6	285-6099	Strain Relief		2	2	2	2
7	286-6099	Strain Relief Nut		2	2	2	2
8	200-4184	Discontinued, use assemblies.	⑦	N/A	N/A	N/A	N/A
9	285-6097	Strain Relief	①	2	3	4	3
10	286-6097	Strain Relief Nut		6	6	6	6
11	200-4175	VCM Circuit Board (Model 1393-01)	③	1	1	1	1
12	200-1408	VCM Housing and Lid		1	1	1	1
13	285-6000	Strain Relief Plug		4	3	2	3
14	242-2469	Swivel Push to lock	⑤	N/A	1	1	N/A
15	N/A	Valve Control Module Housing Lid	④	N/A	N/A	N/A	N/A
16	200-6095	Housing & Board Assembly	⑤ ⑥	1	1	1	1

- NOTES**
- ① Subtract 1 of Plug Part#285-6000 and add 1 of Strain Relief Part #285-6097 when system has heaters. Adjust Plug Part #285-6000 and Strain Relief Part#286-6097 the same if system incorporates remote alarm.
 - ② Fitting used only on systems that control steer zones. For systems without steer zone port is blocked off with Part #118-A
 - ③ Fitting used only on systems that control trailer zone. For systems without trailer zone port is blocked off with Plug part #118-A
 - ④ Not sold separately. Use Part # 200-1408
 - ⑤ Does not include transducer assembly
 - ⑥ Comes with 3 small strain reliefs and 2 large strain reliefs. May require more depending upon system type.
 - ⑦ Discontinued. Replace with assemblies. For TBM100 use CT-XDI-TB, for TBM200 use CT-XD2-TB, for TBM300 use CT-XD3-TB and for TBM400 use CT-XD4-TB.
 - ⑧ If replacing Circuit Board Model 1393-01 with Model 1393-02, also order 2 of 276-2009 & 214-1009

TIREBOSS

Tire Pressure Control System

VALVE CONTROL MODULE (VCM) -Second Design- BREAKDOWN DRAWING #6



Breakdown Drawing #6
Valve Control Module (VCM) "SECOND DESIGN"

REF NUMBER	ITEM NUMBER	DESCRIPTION	NOTE	REQ QTY			
				TBM100	TBM200	TBM300	TBM400
1	200-1439	Transducer Manifold gasket		1	1	1	1
2	201-1399	Transducer manifold		1	1	1	1
3	1369-4A	Push to lock	2	N/A	N/A	1	1
4	1369-4A	Push to lock		1	1	1	1
5	210-0100	VCM Vent		1	1	1	1
6	285-6099	Strain Relief		2	2	2	2
7	286-6099	Strain Relief Nut		2	2	2	2
8	285-6097	Strain Relief	1	2	3	4	3
9	286-6097	Strain Relief Nut		6	6	6	6
10	200-4175	VCM Circuit Board (Model 1393-02)	7	1	1	1	1
11	200-1408	VCM Housing and Lid		1	1	1	1
12	285-6000	Strain Relief Plug		4	3	2	3
13	242-2469	Swivel Push to lock	3	N/A	1	1	N/A
14	N/A	Valve Control Module Housing Lid	4	N/A	N/A	N/A	N/A
15	200-6095	Housing & Board Assembly	5 6	1	1	1	1
16	276-2009	Non Insulated Ring Terminal	8	2	2	2	2
17	214-1009	#10 External Tooth Star Washer		2	2	2	2
18	221-1210	Transducer Manifold mount Screw		2	2	2	2
19	200-1405	Pressure Transducer Rev 2		1	2	3	2
20	16000-008	X-ducer O-ring Nitrile 70D	9	2			
21	200-0376	Delvrin Adaptor	9	1			
22	16000-005	O-ring Nle 70D	9	1			
23	209-7050	Pressure Sensor 150 psi	9	1			
24	200-1406	Tranducer Board Assembly	9	1			
25	200-4230	TPC Transducer Connector Sub assy	9	1			
26	200-0377	Round Spacer Aluminum	9	2			
27	206-2840	#6 External Tooth Lock washer SS	9	2			
28	206-3275	6-32 x .75 Phillips SS Pan Head	9	2			

- NOTES**
- 1 Subtract 1 of Plug Part#285-6000 and add 1 of Strain Relief Part #285-6097 when system has heaters. Adjust Plug Part #285-6000and Strain Relief Part#286-6097 the same if system incorporates remote alarm.
 - 2 Fitting used only on systems that control steer zones. For systems without steer zone port is blocked off with Part #118-A
 - 3 Fitting used only on systems that control trailer zone. For systems without trailer zone port is blocked off with Plug part #118-A
 - 4 Not sold separately. Use Part # 200-1408
 - 5 Does not include transducer assembly
 - 6 Comes with 3 small strain releifs and 2 large strain releifs. May require more depending upon system type.
 - 7 If replacing circuit board Model 1393-01 with model 1393-02 , also order 2 of 276-2009 and 2 of 214-1009
 - 8 Terminals must be soldered & covered with shrink tube
 - 9 Included in #19 200-1405

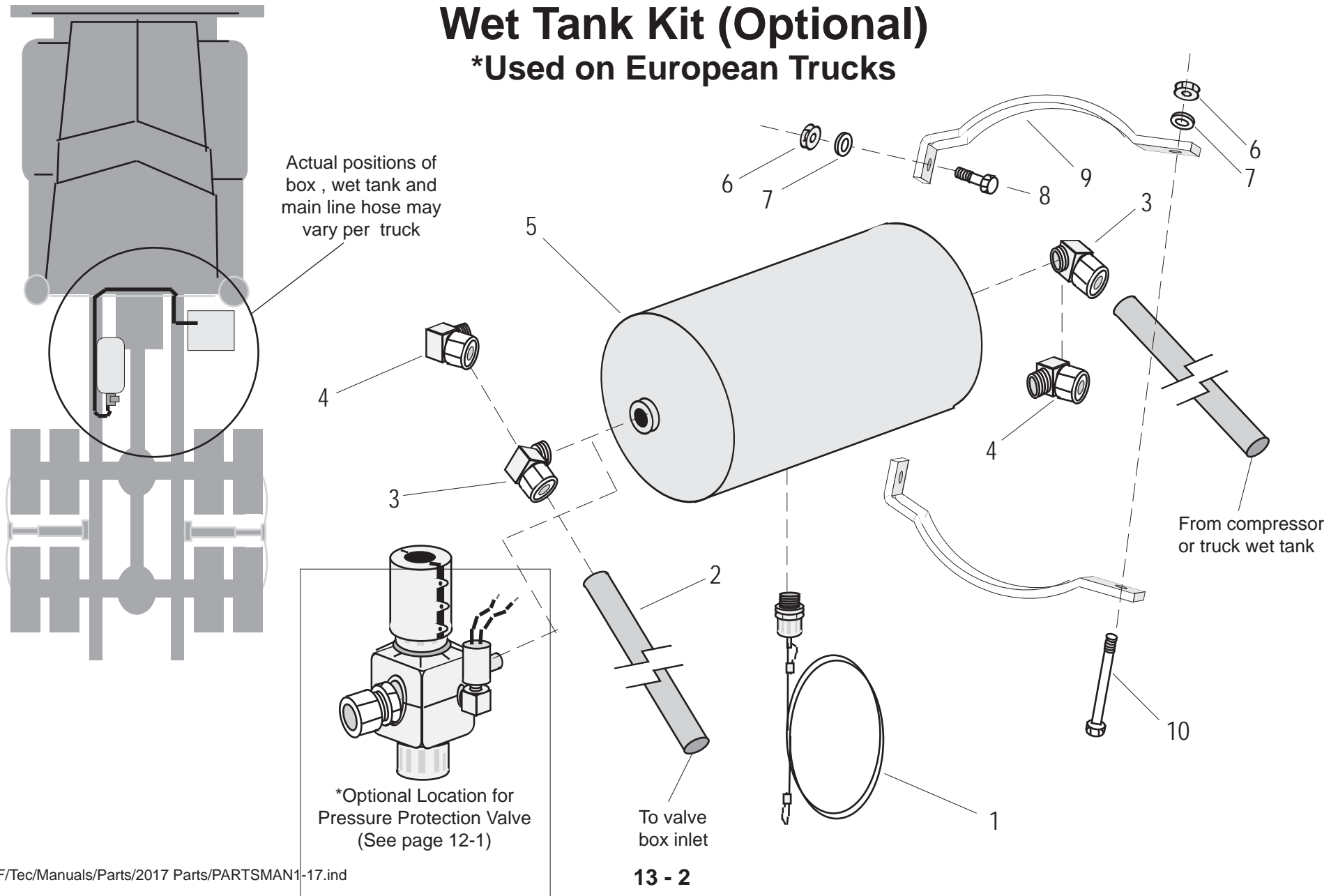
Main Air Supply and Pressure Protection Valve

REF NUMBER	ITEM NUMBER	DESCRIPTION	NOTE	REQ QTY
1	C70BK	Plastic Tubing		AS REQ
2	1468-10-8	Compression Fitting	①	1
3	SRWABC017	Pressure Protection Valve	② ④ ⑤	1
4	3400-4	Elbow		1
5	200-3002	Pressure Switch	⑥	1
6	254-0499	Suction Tube		1
7	254-0488	Nipple	③	1
8	203-4008	Elbow	③	1
9	254-1007	Tee	③	1
10	247-003	Plug		1
11	1469-10-8	Compression Fitting	①	1
12	243-5551	Locking Cover		1
13	223-0623	O-Ring		1
14	243-2789	Cap		1

- NOTES**
- ① May use either straight or 90o depending on truck
 - ② For replacement Diapham use 238-4700
 - ③ System will use either #7,8 or 9 depending upon most suitable mounting position
 - ④ Requires adjustment once installed. See Installation Guide for procedures.
 - ⑤ Valve must be mounted so adjustment knob is in an upward position
 - ⑥ Switch must be mounted with 1/4 NPT inlet pointing downward

Wet Tank Kit (Optional)

*Used on European Trucks

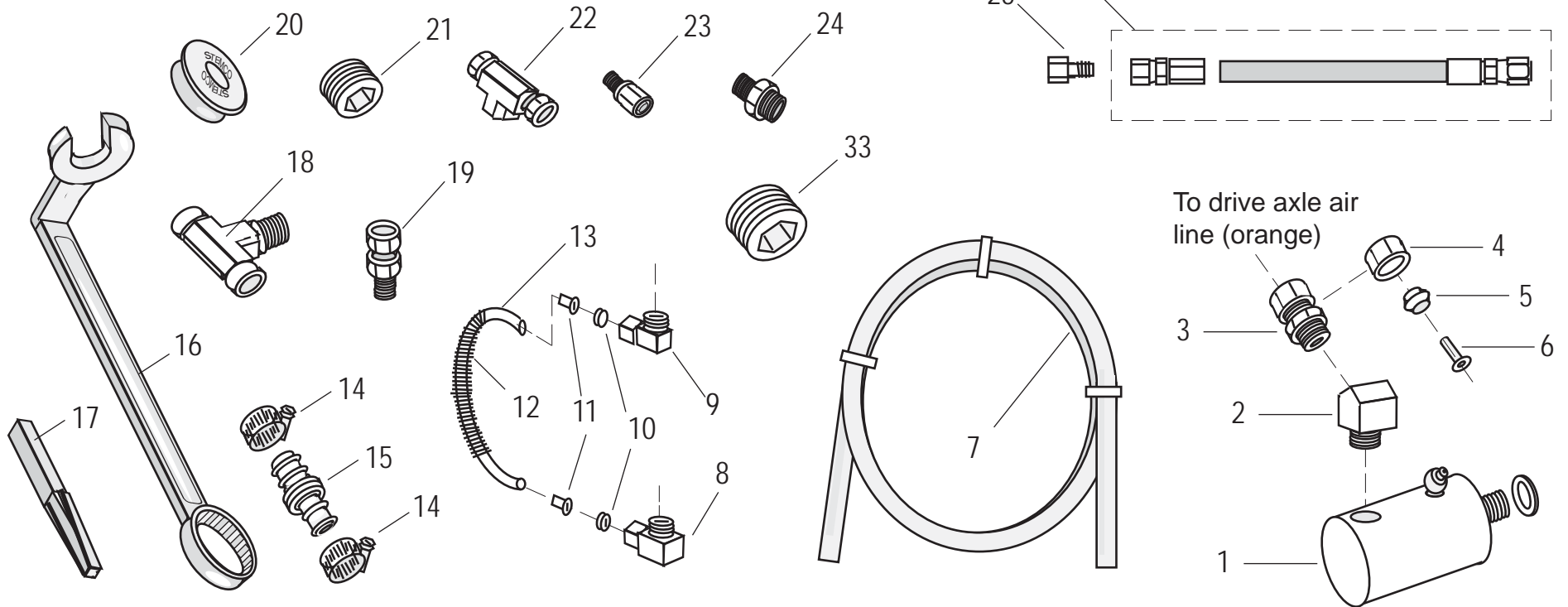
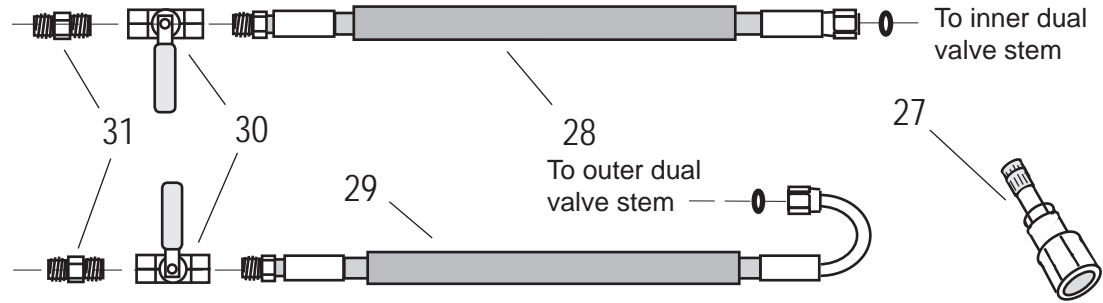
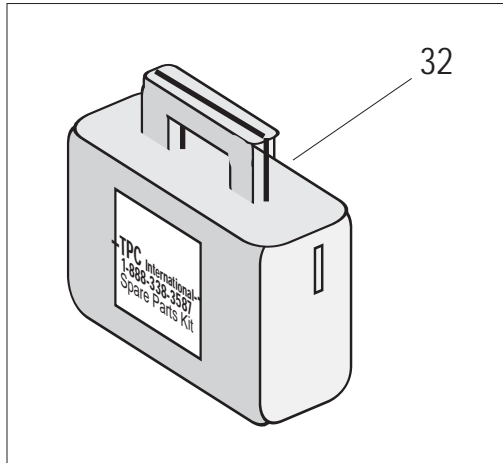


Wet Tank Kit (Optional)

REF NUMBER	ITEM NUMBER	DESCRIPTION	NOTE	REQ QTY
1	12105	1/4" Cable Drain Valve		1
2	C70BK	5/8 Black Plastic Air Line		10'
3	1474-10-8	5/8 Compression - 1/2 Male 45o	❶	1
4	1469-10-8	5/8 Compression - 1/2 Male 90o	❶	1
5	7067A	Aluminum Static Air Tank		1
6	38NCLN	3/8 Lock Nut		6
7	38FW	3/8 Flat Washer		12
8	38INC	3/8 Bolt 1"		4
9	09431070A	Wet Tank Bracket		4
10	386NC	3/8 Bolt 6"		2

NOTES ❶ May use either 45o or 90o depending on truck

TIREBOSS Spare Parts Kits



Spare Parts Kits

REF NUMBER	ITEM NUMBER	DESCRIPTION	SUPPLIED QTY			
			RRK100	RRK200	RRK300	RRK400
1	1115-157-238	Rotary Union	1	1	1	1
2	124-C	3/8 x 45 Brass Street Elbow	1	1	1	1
3	1468-10-6	Drive Air Line Compression Fitting	1	1	1	1
4	661-10	5/8 Compression Nut	1	1	1	1
5	1460-10	5/8 Compression Ferrule	2	2	2	2
6	1484-10	5/8 Compression Insert	2	2	2	2
7	265-1485	Orange Drive Airline	3'	3'	3'	3'
8	669-5C	5/8 Compression x 3/8 M NPT	N/A	1	1	N/A
9	169C-5-4	5/8 Compression x 1/4 M NPT	N/A	1	1	N/A
10	225-4805	Internal Air Line Ferrule	N/A	2	4	2
11	F65	Internal Air Line Insert	N/A	2	4	2
12	311-605	Internal Air Line Spring Guard	N/A	1	1	N/A
13	12040	1/4 Internal Air Line	N/A	1	1	1
14	HS10	Hose Clamp	2	2	2	2
15	235-7298	Hose Union	1	1	1	1
16	392-7606	Rotary Union Wrench	1	1	1	1
17	300-9525	Easy Out	1	1	1	1
18	3600-6	3/8 Male Branch Tee	1	1	1	1
19	225-1120	Drive Manifold Swivel Fitting	1	1	1	1
20	359-5990	Red Hub Window Plug	N/A	1	1	1
21	247-005	1/2 Counter Sunk Pipe Plug	1	1	1	1
22	225-1101	1/4 Hub Cap Swivel Tee	N/A	1	1	N/A
23	225-1368	Push To Lock	N/A	1	1	N/A
24	225-1025	1/4 x 3/8 Hub Cap Fitting	N/A	1	1	1
25	446-4B	4 SAE x 1/4 FNPT Brass Adaptor	N/A	N/A	1	1
26	CT-004-HA	Steer Axle Wheel End Hose	N/A	N/A	1	1
27	238-0119	Tire Filler Assembly	2	4	4	2
28	CT-008-HA	Inner Wheel End Hose	1	1	1	1
29	CT-007-HA	Outer Wheel End Hose	1	1	1	1
30	225-2103	Wheel End Valve	1	2	2	1
31	225-1022	1/4 Steel Nipple	1	2	2	1
32	300-1000	Repair Kit Case	1	1	1	1
33	118-E	Counter Sunk Pipe Plug	1	1	1	1