

# total gym<sup>®</sup> SUPREME



## Owner's Manual

*For maximum effectiveness and safety,  
please read this owner's manual  
before using your Total Gym<sup>®</sup> Supreme.*

# Table of Contents

<b>EQUIPMENT WARNING / CAUTION LABELS .....</b>	<b>3</b>
<b>SAFETY INSTRUCTIONS .....</b>	<b>3</b>
<b>PRODUCT SPECIFICATIONS .....</b>	<b>4</b>
<b>SET UP .....</b>	<b>5-6</b>
<b>ACCESSORIES: HOW TO'S .....</b>	<b>7-9</b>
Ab Crunch .....	7
Tri-Grip Shaper Bars.....	8
Leg Pulley.....	9
<b>STARTING OUT .....</b>	<b>10</b>
<b>INSPECTION, MAINTENANCE &amp; STORAGE.....</b>	<b>11-12</b>
<b>PARTS LIST &amp; OVERVIEW .....</b>	<b>13</b>
<b>WORKOUT PROGRESS CHART .....</b>	<b>14</b>

# Congratulations on purchasing your new Total Gym®

With this product in your home, you have everything you need to start your own workout program, to tone and strengthen the important muscle groups of your upper and lower body. This is vital for all of us, regardless of age, sex, or fitness level, and regardless of whether your primary goal is body sculpting, weight loss, health maintenance, or more energy for daily activities.

Strength training not only tones and conditions the muscles we use every day to stand, walk, lift, and turn; it can actually transform our body composition. By reducing body fat and increasing the proportion of lean muscle in our bodies, strength training can effectively turn up our metabolic thermostat, so that we burn calories all the time, no matter what we're doing.

It's easy - all you have to do is spend 15 to 20 minutes a day, 3 to 4 days per week on your Total Gym® to start realizing the benefits.

Be sure to read through this Owner's Manual carefully. **It is the authoritative source of information about your Total Gym®.**

## CUSTOMER SERVICE QUESTIONS

If you have questions about your Total Gym®, please call Customer Service at 1.800.501.4621, Monday through Thursday, 8:30 am to 5:00 pm, EST.

## ORDERING REPLACEMENT PARTS

When ordering parts, please contact our Parts Department, toll free at 1.800.501.4621, Monday through Thursday, 8:30 am to 5:00 pm, EST.

**IMPORTANT:** You must have your serial number and this manual ready when calling for parts.

Serial #: \_\_\_\_\_

### PLEASE ALSO PROVIDE THE FOLLOWING INFORMATION:

1. Name, Mailing Address and Telephone Number
2. Date of Purchase
3. Where Product was Purchased (Name of Retail Store, City)
4. Model Number
5. Part Order Number and Description

# Equipment Warning / Caution Labels

See page 4 for placement of the following warning/caution labels on your unit.

## WARNING LABEL 1

**⚠ WARNING**

FAILURE TO READ AND FOLLOW THE SAFETY INSTRUCTIONS STATED IN THE OWNER'S MANUAL MAY RESULT IN POSSIBLE SERIOUS INJURY OR DEATH. KEEP CHILDREN AWAY. MAXIMUM USER WEIGHT 275 LBS. REPLACE THIS LABEL IF DAMAGED, ILLEGIBLE OR REMOVED. FOR HOUSEHOLD USE ONLY. CALL CUSTOMER SERVICE AT 1-800-501-4621 FOR REPLACEMENT LABEL, MANUAL OR QUESTIONS.

## WARNING LABEL 2

**⚠ WARNING**

MAKE SURE ADJUSTMENT PIN IS LOCKED IN PLACE BEFORE BEGINNING EXERCISES.

## WARNING LABEL 6

**⚠ WARNING**

PINCH POINT. KEEP HANDS AWAY FROM THE FENDER.

4 locations

## WARNING LABEL 3

**⚠ WARNING**

BEFORE USING, INSERT SAFETY PIN THROUGH THE HOLE ON THE RIGHT SIDE OF THE HEIGHT ADJUSTMENT ASSEMBLY.

➔

## WARNING LABEL 4

**⚠ WARNING**

CRUSH HAZARD  
KEEP HANDS CLEAR  
DURING FOLDING.

3 locations

## WARNING LABEL 5

**⚠ WARNING**

BE CAREFUL NOT TO BUMP HEAD WHEN LEG PULLEY ACCESSORY IS IN PLACE. REMOVE LEG PULLEY ACCESSORY FROM FRAME WHEN NOT REQUIRED FOR THE SPECIFIC EXERCISE.

Located on Leg Pulley Bracket

## CAUTION LABEL 1

**⚠ CAUTION**

KEEP HAIR, FINGERS, LOOSE CLOTHING, PETS, AND CHILDREN AWAY FROM HINGES AND OTHER MOVING PARTS TO AVOID SERIOUS INJURY. ALSO, BE SURE TO HAVE ALL PINS LOCKED IN PLACE BEFORE GETTING ON YOUR TOTAL GYM® TO AVOID SEVERE INJURY.

## CAUTION LABEL 2

**⚠ CAUTION**

REMOVE AB CRUNCH BOARD FROM FRAME WHEN NOT REQUIRED FOR THE SPECIFIC EXERCISE.

Located on both Ab Crunch Boards

## CAUTION LABEL 3

**⚠ CAUTION**

REMOVE TRI-GRIP SHAPER BARS FROM FRAME WHEN NOT REQUIRED FOR THE SPECIFIC EXERCISE.

Located on Tri-Grip Shaper Bars

## CAUTION LABEL 4

**⚠ CAUTION**

REMOVE SQUAT STAND FROM FRAME WHEN NOT REQUIRED FOR THE SPECIFIC EXERCISE.

Located on Squat Stand pole

# Safety Instructions

**Before beginning this or any exercise program, consult a physician or health professional,** who can assist you in planning a program appropriate for your age and physical condition. This is especially important if you are over age 35 or have pre-existing health problems.

**Do not overexert yourself.** Stop exercising immediately and consult your doctor if you experience pain or tightness in your chest, irregular heart beat, shortness of breath, or if you feel faint, nauseous, or dizzy.

**This product is designed for home use only.** It is not intended for commercial or institutional use. Use only as instructed.

**Do not stand on the product.**

**The Total Gym® is not intended for use by children.** Keep this and all fitness equipment out of the reach of children.

**Keep fingers, loose clothing, and hair away from moving parts.**

**Inspect your exerciser before each use to ensure proper operation.** Do not use this equipment unless all moving parts, including cables and pulleys are working properly. See pages 11 & 12 for details on Inspection, Maintenance and Storage.

**The exerciser should only be used on a mat or carpeted surface to prevent unexpected movement of the unit.**

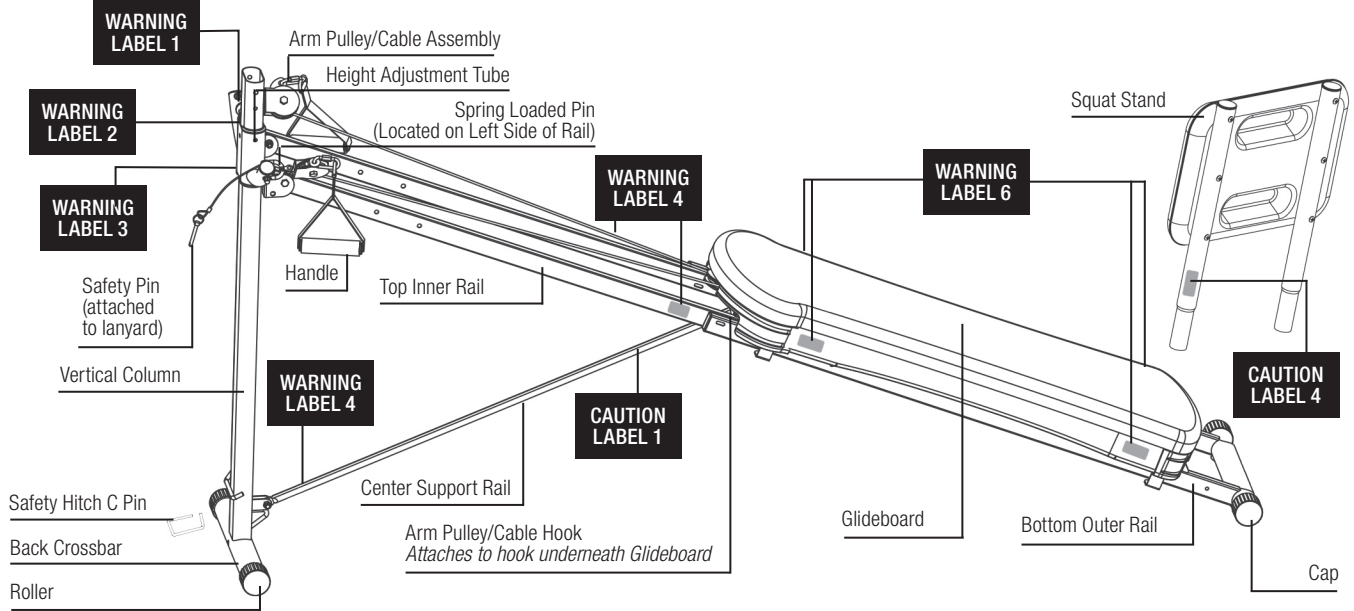
**Use only the accessory items recommended by the manufacturer.**

**To avoid serious injury,** care should be taken at all times when **getting on and off** this or any exercise equipment.

**Be sure Safety Hitch C Pin is engaged** each time unit is in use.

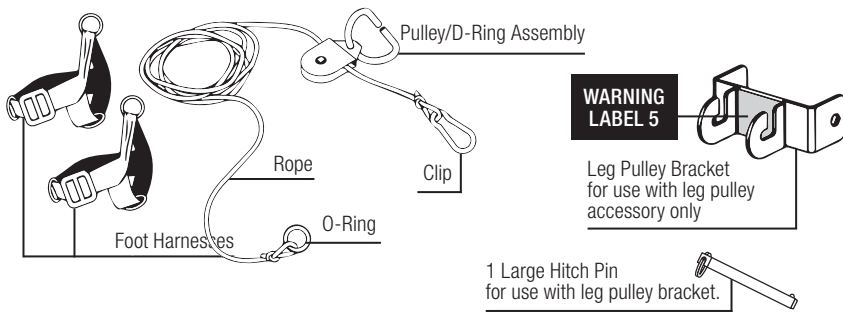
# Product Specifications

## LABEL LOCATIONS AND PARTS IDENTIFIER

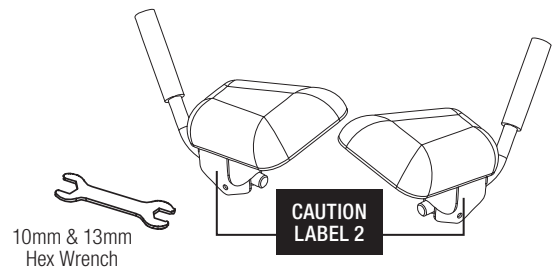


<b>LENGTH</b>	<b>HEIGHT</b>	Width .....	15.5"
Folded .....	Folded .....	Weight .....	53.2 lbs.
In Use .....	In Use .....	Maximum User Weight .....	275 lbs.

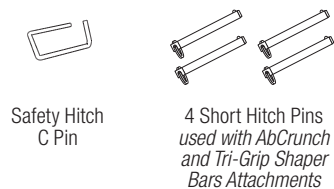
### LEG PULLEY ACCESSORY KIT



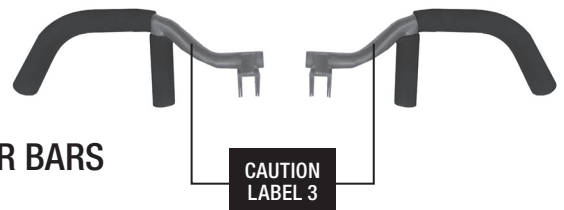
### AB CRUNCH



Items shown below are packed in Miscellaneous Accessories



### TRI-GRIP SHAPER BARS



# Set Up

Your product comes with:

- **Safety Hitch C Pin** to be inserted into side hole directly below Height Adjustment Assembly indicating workout level on the Vertical Column, after set up.
- **Height Adjustment Quick Release Pin** located on side of Vertical Column for raising and lowering rails.
- **Spring Loaded Pin** locked into the base of the Left Rail by the Height Adjustment Tube. Left side is determined by standing behind the unit facing the Vertical Column.

**IMPORTANT:** To prevent injury, be sure the Spring Loaded Pin is locked securely into place in the Left Rail before using unit. This will prevent the Height Adjustment Column from falling forward.

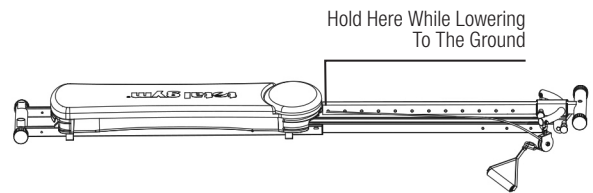
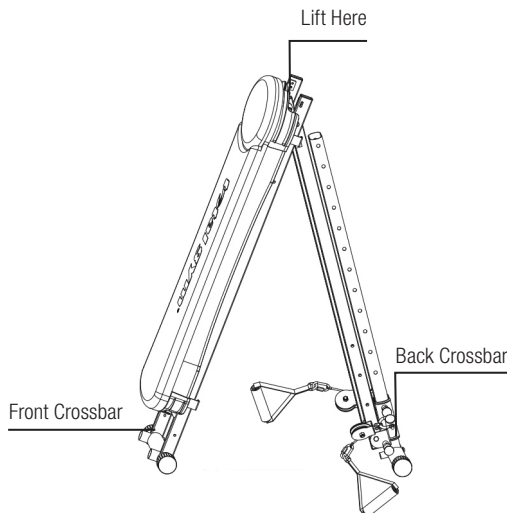
- **Safety Pin** located on Lanyard/attached to Height Adjustment Tube.
- **4 Short Hitch Pins** for the Ab Crunch and Tri-Grip Shaper Bars and **1 Large Hitch Pin** for the Leg Pulley Bracket (located in the Miscellaneous Section of the Accessory Kit.)

**IMPORTANT:** Before using Ab Crunch, Tri-Grip Shaper Bars and Leg Pulley Accessory, be sure the Hitch Pins are securely inserted (see pages 7-9 of this manual for directions).

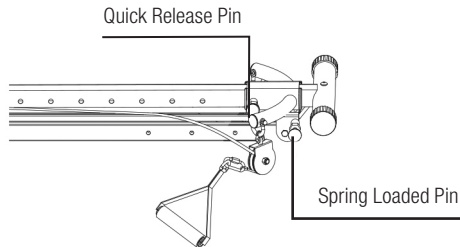
1. Pull the product out of the shipping box. Remove all packaging materials, including tape and cardboard inserts, from your unit.  
**NOTE:** Some parts are packed inside the Rails.
2. Lay product on the floor with glideboard side up. Make sure you have plenty of space on both ends of the product. Slide the glideboard as far as it will go towards the Front Crossbar before you begin lifting unit.
3. Lift the exerciser up by holding it at the top of the rails. Using your foot, slowly spread the unit open at the bottom approximately 12 inches so that it rests firmly on the Front and Back Crossbars not allowing it to go too far.

4. Make sure the handles are out to the sides before you begin to unfold your unit. Keep hands and fingers away from pulley. Hold onto the top center of glideboard and begin rolling rear rollers. Spread the unit out until it is flat on the floor. Be careful to do this **slowly**.

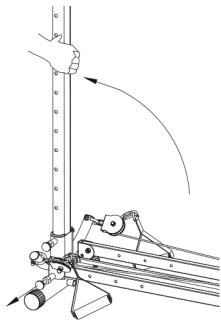
**Be sure to support the frame in the center to avoid having the product drop suddenly onto the floor or pinch fingers.**



5. **A.** Next remove plastic packing ties from the top and bottom of the Vertical Column. Pull out the Spring Loaded Pin Knob located at the left rail (**NOTE:** pin shown in picture is on right side) to release Spring Loaded Pin. Continue to hold pin out while performing the next step.



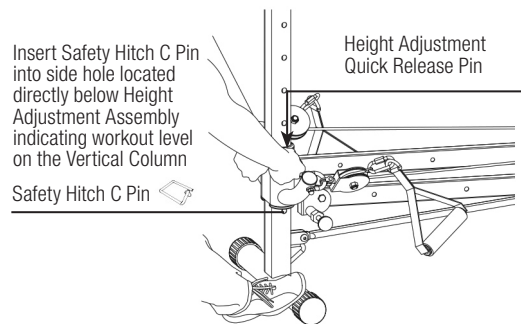
- B.** Take hold of the Vertical Column and pull it up until it is upright. Release the Spring Loaded Pin. You should hear it lock back into place. (**NOTE:** pin shown in picture is on right side.)



**IMPORTANT:** Be sure the Spring Loaded Pin is locked into place before using your unit. You will know the pin is locked into place when you can see the end protrude through the inside of the rail bracket.

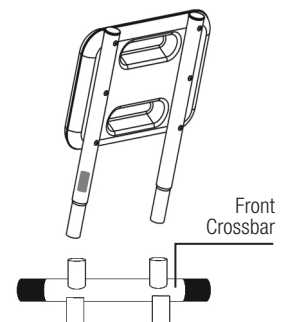
6. Position one foot on Back Crossbar to keep the product from lifting off the floor. With one hand on either the right or left rail and the other hand holding the Height Adjustment Quick Release Pin out, slide the rails along the Vertical Column to desired position and release pin. Pin will pop into place - you will hear a snap. Insert Straight Safety Pin (attached to the lanyard on the Height Adjustment Tube) through the hole on the right side of the Height Adjustment Assembly.

**NOTE:** Insert Safety Hitch C Pin into side hole located directly below Height Adjustment Assembly indicating workout level on the Vertical Column.



### 7. SQUAT STAND ASSEMBLY

Assemble the Squat Stand at the opposite end of the unit by inserting it into the Front Crossbar as pictured below. Make sure it is fully inserted.

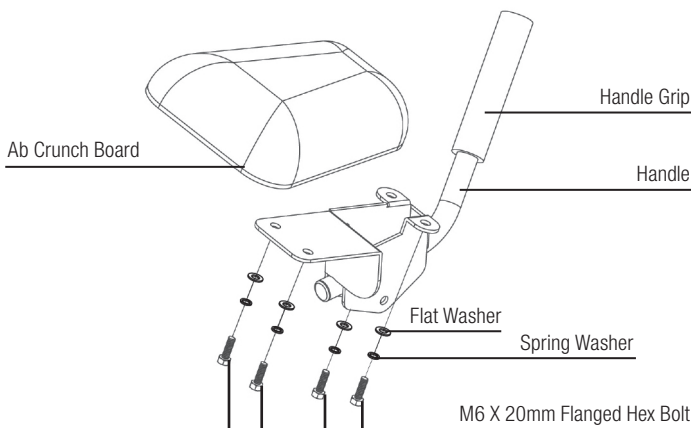


# How to Attach the Ab Crunch Boards

1. Be sure to give enough clearance so your head does not hit the Vertical Column when performing these exercises. **DO NOT attach the Ab Crunch Board to the Rail on the hole that is closest to the Vertical Column, doing so could result in possible serious injury or death.**
2. Remove Leg Attachment Bracket when using the Ab Crunch Board to avoid contact, which could result in possible serious injury or death.
3. Be sure that the Hitch Pins are securely locked in place before using the Ab Crunch Board. Failure to do so may cause the Ab Crunch Board to fall off resulting in possible serious injury or death.
4. Do not move your body to the extreme left or right when using the Ab Crunch Board to avoid falling off the exerciser which could result in possible serious injury or death.
5. Caution should be used when getting on and off the exerciser when the Ab Crunch Board is in place. Failure to do so could result in possible serious injury or death.

## ASSEMBLY

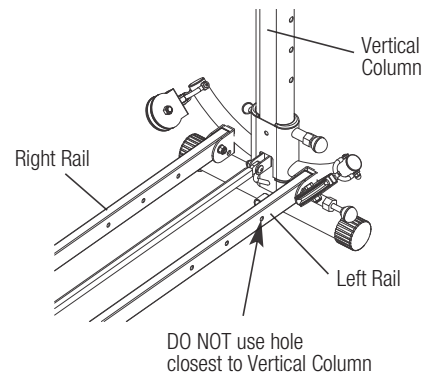
1. Remove Flanged Hex Bolts, Spring Washers and Flat Washers from bottom of Ab Crunch Boards.
2. With the small end of the Ab Crunch Board closest to the Handle Grip securely attach the appropriate Handle with 4 Flanged Hex Bolts, Spring Washers and Flat Washers using Hex Wrench provided.



3. Repeat on 2nd Ab Crunch Board.

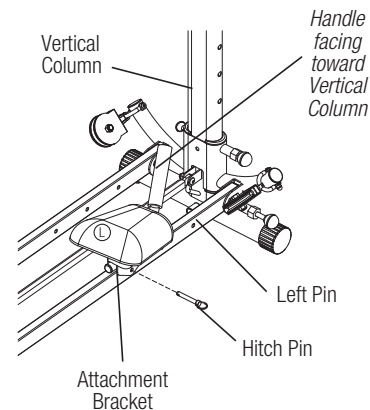
## INSTALLATION

1. Locate the 3 holes at the top of the Right and Left Rails on the Vertical Column. **DO NOT** use hole closest to the Vertical Column. Your head could come in contact with the Vertical Column and could result in possible serious injury or death.



Choose the 2nd or 3rd hole depending on your height or comfort level.

2. Install the Ab Crunch Board labeled (L) onto the Left side Rail with the Handle facing toward the Vertical Column.



3. Insert the M8 x 60mm Hitch Pin through the holes on the Attachment Brackets and through the hole on the Left Rail as indicated by arrow.
4. Repeat for right Ab Crunch Board.

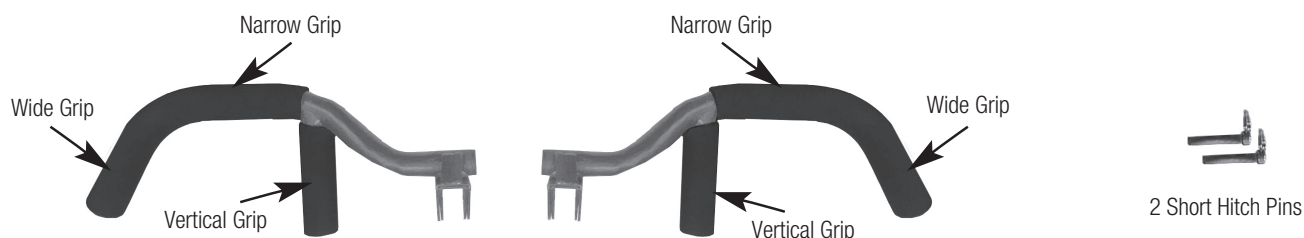
**NOTE: Remove AbCrunch Boards when you are not exercising with them.**



# How to Attach the Tri-Grip Shaper Bars

The Tri-Grip Shaper Bars provided with your unit have been uniquely designed to serve several purposes. Bars can be placed at the top or bottom of the Total Gym®. There are also 3 Grip positions adding versatility to your workout: Vertical Grip, Narrow Grip and Wide Grip.

**NOTE: Always keep the Foam Grips to the outside of the Rails.**



## PRESS UPS

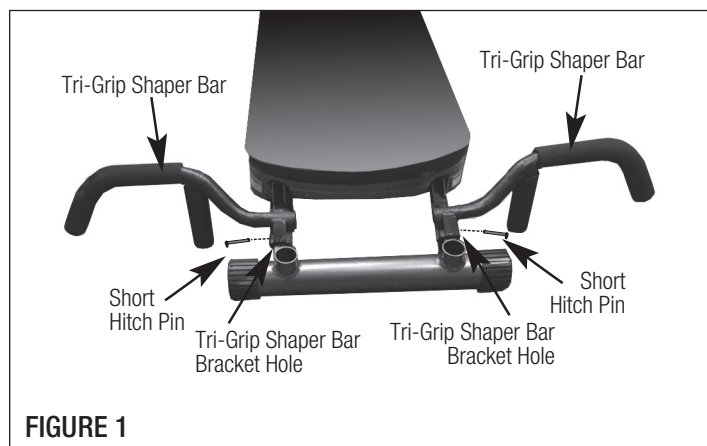


FIGURE 1

1. Locate the holes at the bottom of the Right and Left Rails near the Front Crossbar.
2. With the Tri-Grip Shaper Bars angled **toward** the Glideboard, line up the Brackets of the Attachments with the holes on the Rails.
3. Insert the 2 Short Hitch Pins through the holes on the Tri-Grip Shaper Bar Brackets and the hole on the Rails as Shown in Figure 1. Make sure to securely attach each Tri-Grip Shaper Bar to each side of the frame before using.
4. You are now ready to perform the Press Up exercise which works the upper chest and triceps. See your Exercise Guide for specific exercises.

## PULL UPS

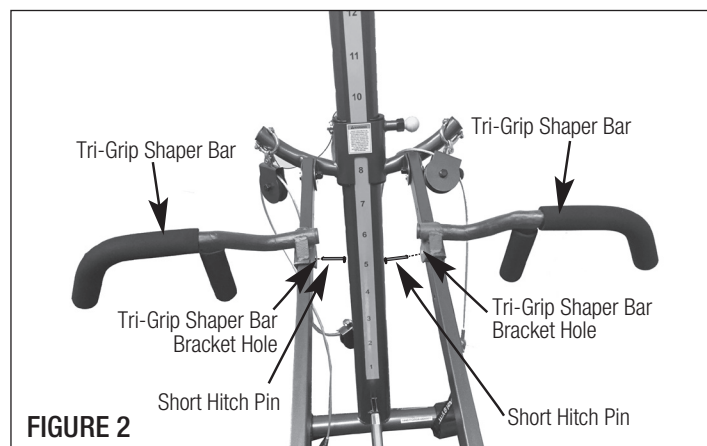


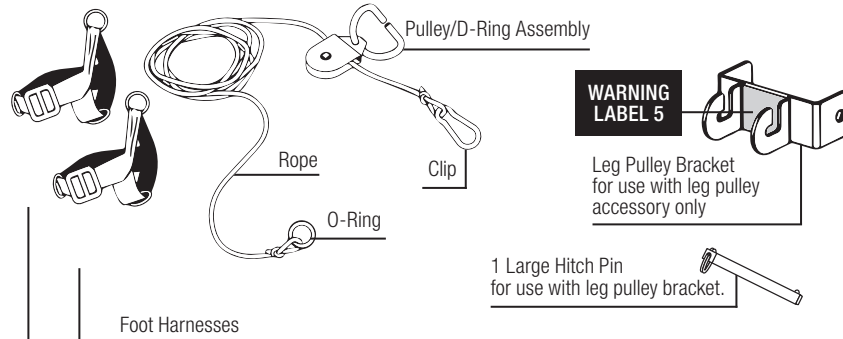
FIGURE 2

1. Locate the holes at the top of the Right and Left Rails.
2. With the Tri-Grip Shaper Bars angled **toward** the Glideboard, line up the Brackets on the Attachments with the holes on the Rails.
3. Insert the 2 Short Hitch Pins through the holes on the Tri-Grip Shaper Bar Brackets and the hole on the Rails as Shown in Figure 2. Make sure to securely attach each Tri-Grip Shaper Bar to each side of the frame before using.
4. You are now ready to perform the Pull Up exercise which works the arms, lats and back. See your Exercise Guide for specific exercises.

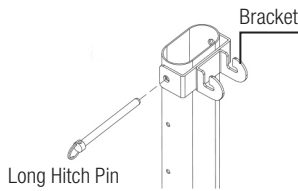
**NOTE: Remove the Tri-Grip Shaper Bars when you are not exercising with them.**

# How to Attach the Leg Pulley Accessory Kit

**NOTE:** Be sure you have plenty of free space around the exerciser so that performing on the Total Gym®, as well as getting on and off, is convenient and safe. Please note that the Rails cannot be raised to the highest position on the Height Adjustment Column when the Leg Pulley Bracket is attached to the column.

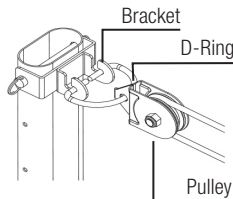


1. Connect the Leg Pulley Bracket to the top of the Vertical Column by aligning Bracket with the hole at the top of the column; be sure bracket is right side up. Insert Large Hitch Pin through the hole to secure Bracket onto the Vertical Column.

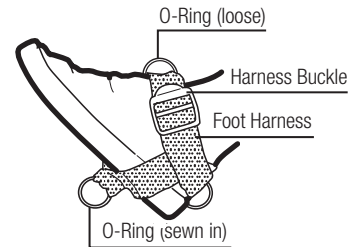


2. Detach the Cable Assembly from the hook on the underside of the glideboard and attach O-Ring from the Leg Pulley Assembly.
3. Place D-Ring on Pulley first. Then connect the D-Ring to the Bracket as shown.
 

**NOTE: If rope appears to be twisted, take D-Ring off and turn Pulley around.**

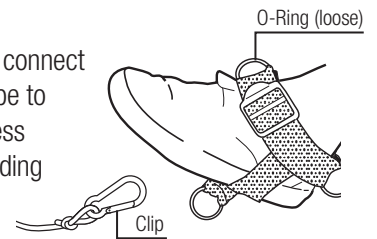


4. Attach the Foot Harnesses to your feet by placing each foot in the Harness so the sewn-in O-ring is on the bottom of your foot. Pull tight on the strap at the Harness Buckle so the Foot Harness is secure.



5. A. Position yourself on the glideboard correctly for the specific exercise you want to perform.

- B. While sitting down on the glideboard, bring 1 knee up, connect the Clip on the end of the rope to an O-Ring on the Foot Harness attached to your foot. Depending on the exercise you are performing, connect the Clip to the proper O-Ring.



Be sure to always stabilize the glideboard when clipping on or off the Harness. Also, use caution when getting on or off the glideboard. You are now ready to exercise using the Leg Pulley Accessory. See your Exercise Guide for specific exercises that utilize the Leg Pulley Accessory.

**NOTE: Remove Leg Pulley Bracket when you are not exercising with it.**

- C. To disconnect the Foot Harness, unclip the rope from the O-Ring on the Harness. Be sure to stabilize glideboard when disconnecting Foot Harness.

# Starting Out

## GENERAL SAFETY TIPS

- While performing exercises with quick tempo repetitions, the Total Gym® may move. Please be aware of the action and make necessary adjustments as you continue your exercise program.
- Wear athletic shoes and comfortable light clothing when exercising on the Total Gym®.
- Do not exercise barefoot.
- Check your exerciser before using to ensure that all the parts are in place and working properly (*see pages 11 and 12 for details on Inspection, Maintenance and Storage*).
- **Adult supervision is required at all times.**
- **The Rails and Glideboard can be raised to any desired level on the Height Adjustment Column depending upon your degree of fitness. Please note, however, that the Rails cannot be raised to the highest position on the Height Adjustment Column when the Leg Pulley Bracket is attached to the column.**
- Be sure you have plenty of free space – **at least 2-3 feet of clearance around the exerciser** – so that performing on the Total Gym®, as well as getting on and off, is convenient and safe.
- Each time you raise or lower the Height Adjustment Column, be sure you hold it to keep it from dropping to the floor.
- Keep longer hair up for safety and to prevent interference with your exercise routine.

## AS EASY AS 1-2-3

Begin using the product at a low incline. As your fitness level progresses, increase the incline to increase the intensity and improve your muscle strength. Don't be in a hurry to exercise at a high intensity level; start out easily and build gradually. The Total Gym® is as easy as 1-2-3 to use, so read on...

### 1. IMPORTANT THINGS TO REMEMBER WHEN USING THE TOTAL GYM®

- Always have control of the glideboard before getting on and off the exerciser.
- Keep your feet on the floor when getting on and off the exerciser. Only remove them from the floor for the duration of the exercise.
- If you are using the handles, hold onto them as you get on and off the glideboard.
- Remove Cable from Glideboard when not using Cable Handles.

### 2. EXERCISING WITH THE HANDLES ONLY

Grasp the handles which are attached to the cable and slide the glideboard to a position in which you can comfortably sit or lay down when performing the desired exercise (see the Exercise Guide). Be sure to keep your feet on the floor until you are in the correct position for the specific exercise. Then, if the exercise calls for your feet to be off the floor, place your feet as specified in the instructions.

### 3. EXERCISING WITH THE TRI-GRIP SHAPER BARS

Slide the glideboard to a position in which you can comfortably sit or lay down on when performing the desired exercise (see the Exercise Guide). Keep your feet on the ground until you are in the correct position and feel comfortable. Then, place your feet in the proper position and begin to exercise.

When starting your exercise program, begin with the basic exercises in the Exercise Guide included with your Total Gym® to familiarize yourself with the movements. Use the lowest incline level to start with - you can work up to a higher incline level in the weeks and months to come.

For the specific Total Gym® exercises and programs, study and follow the instructions in the *Exercise Guide* included with your product.

# Inspection, Maintenance & Storage

## INSPECT YOUR TOTAL GYM® PRIOR TO EACH USE

Before using your Total Gym® for your workout session, be sure to make the following inspection:

- Make sure the equipment is fully opened and sitting on a solid, level surface with plenty of clearance on all sides. Unit should be used on a mat or on carpeted surfaces only.
- Make sure all the Hitch Pins are securely in place and locked into position.
- Check that the Pulley is attached securely to the hook on the top underside of the glideboard.
- Check that the Cables are traveling correctly in the groove of each pulley.
- Make sure the Cable is securely fastened to each Handle.
- Check that accessories are installed correctly when in use.
- Make sure the Glideboard is gliding smoothly along the frame.

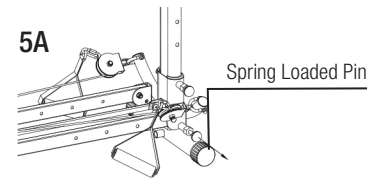
## ROUTINE MAINTENANCE

- Wipe down your Total Gym® on a regular basis using a clean cloth and alcohol or alcohol-based products like Windex® or 409®. Do not leave towels or workout clothing laying or hanging on the equipment.
- Periodically check the following parts for signs of fraying or other wear: the cable, pulleys, wheels, glideboard, accessories and frame. If the cable, pulleys, frame or wheels need replaced - do not use your unit, wait until the part is replaced. If any other part than the ones listed above needs to be replaced, do not use that part until it is replaced.
- Never use a lubricant such as WD-40® or ArmorAll® to lubricate or clean the unit. Use only 3-in-1® oil or machine oil to lubricate the axles of the wheel or pulley, not the roller surface.

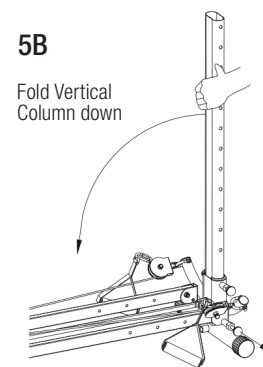
## TO STORE YOUR TOTAL GYM®

Follow these easy steps to store your exerciser properly:

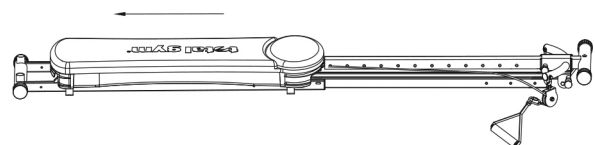
1. First, remove all accessories and attachments.
2. Remove Safety Hitch C Pin and Safety Pin from Vertical Column.
3. Be sure the Cable Pulley is attached to the underside of the glideboard for folding.
4. Position one hand on either side of rail to hold it up before releasing the Height Adjustment Quick Release Pin. Pull pin out and slowly lower the rails to the ground until they rest on the back crossbar.
5. **A.** Release Spring Loaded Pin (on left side rail) as shown.



- B.** Fold Vertical Column down towards the center of the unit.

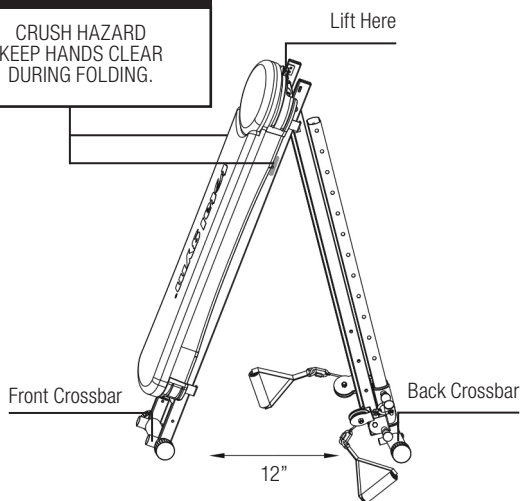


6. Slide the Glideboard towards the bottom of unit as shown.



7. **A.** With caution, to avoid pinched fingers or hands, grab the top of the Glideboard and slowly pull the unit up allowing the rollers to bring the back of the unit towards the center. Keep approximately 12" apart.
- B.** Continue to fold the exerciser together until it is completely folded and roll the exerciser into a closet for storage. To store under a bed, simply lower the exerciser to the floor and roll under the bed.

**WARNING LABEL 4**



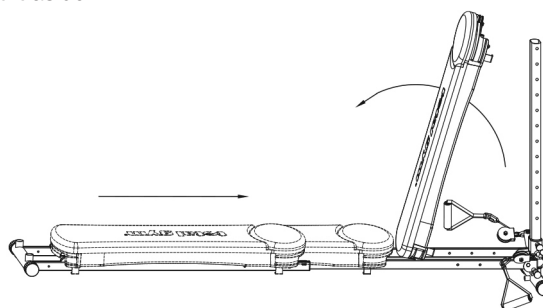
**NOTE:** Do not store unit in upright position when folded.

**TO REMOVE THE GLIDEBOARD**

You can also remove the Glideboard if you need to fit the exerciser under a narrow space (between 6" and 8").

**IMPORTANT:** The Glideboard weighs approximately 20 lbs. Use caution when lifting it off of the exerciser. Lifting incorrectly may result in user injury.

1. With exerciser laying flat on the floor, disconnect the pulley from the hook on the underside of the glideboard.
2. Next, tilt up the Glideboard and slide it off the frame of the exerciser. When the Glideboard is completely off the exerciser, set it aside.



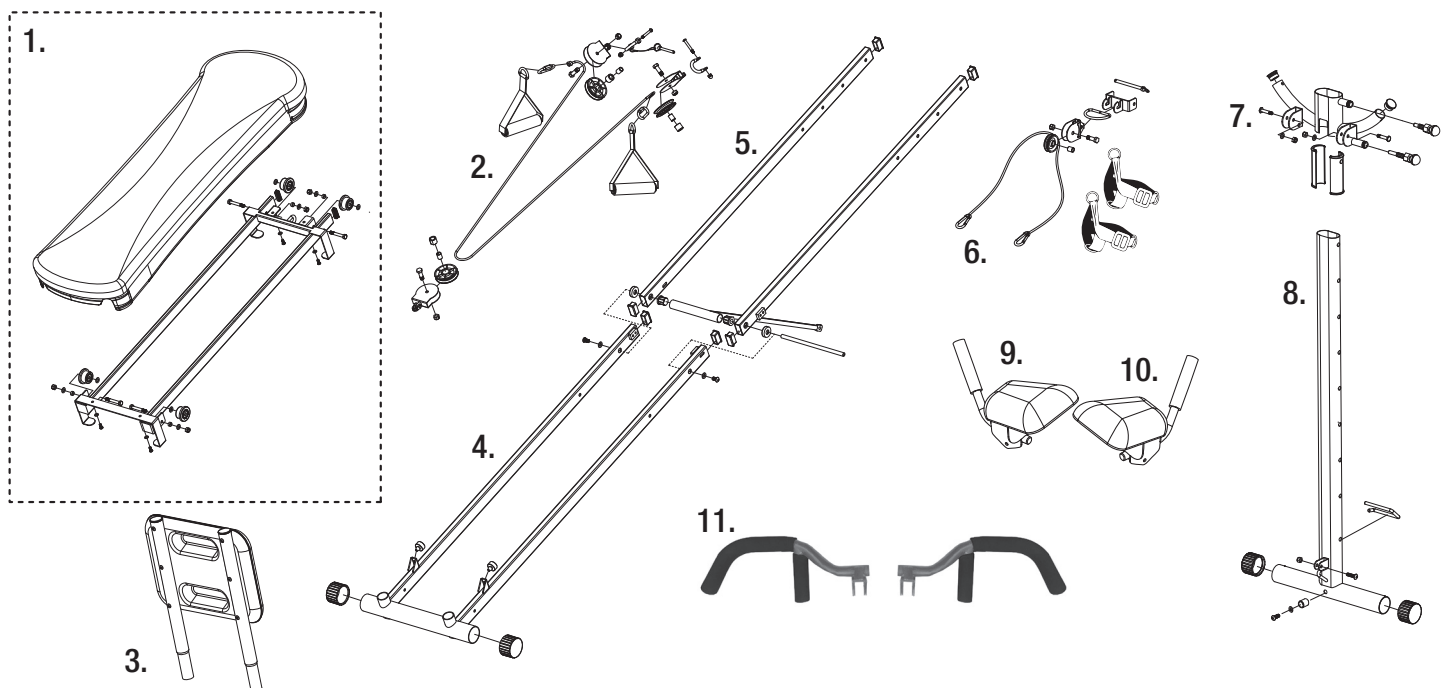
3. Next, pull the Spring Loaded Pin to release the Rail and fold the exerciser together as shown in Step 7 of TO STORE YOUR TOTAL GYM. Be sure to release the Spring Loaded Pin before folding.

**TO ATTACH THE GLIDEBOARD TO GYM WHEN SETUP AND READY FOR USE**

1. Raise rails to the highest level on the Vertical Column and insert Safety Pin.
2. Carefully pickup the Glideboard with both hands, one on each side, making sure the hook on the underside of the Glideboard is at the top closest to the Vertical Column.
3. Line up the Glideboard with the lower rails on your gym and gently lower the Glideboard down the rails until it rests against the rubber stops.
4. Connect pulley to top underside of the Glideboard by taking the pulley and sliding it onto the hook that is on the underside of the Glideboard.

# Total Gym® Supreme Parts List and Visual Overview

ITEM #	PART#	DESCRIPTION	QTY	ITEM #	PART#	DESCRIPTION	QTY		
<b>1</b>	<b>RGBSUP</b>	<b>Glideboard Assembly</b>	<b>1</b>	<b>6</b>	<b>RLPAR1</b>	<b>Leg Pulley System</b>	<b>1</b>		
		Roller Spacer	4			R19-9E	U Bracket	1	
		8 x 55 Hex Bolt	4			R19-15	Hitch Pin	1	
		RP102W	Wheel			4	R700035	Foot Harness	2
		RP102WK	8 mm Flat Washer			4	R1950	Pulley and Rope	1
			8 mm Nylon Nut			4	R19-9D	D-Ring	1
			RR103RC			Rectangle End Cap	2	RSUPLIT	Literature Pack
<b>2</b>	<b>40950B</b>	<b>Cable Kit</b>	<b>1</b>	<b>7</b>	<b>RSUP</b>	<b>Height Adjustment Assembly</b>	<b>1</b>		
		RLANPIN	Straight Safety Pin / Lanyard			1	RSUPUC	Upright Cap	2
		RHANSUP	Handles			2	RSUPCAP	Top Cap	1
<b>3</b>	<b>RS263S</b>	<b>Squat Stand - Silver</b>	<b>1</b>			RSUPAP	Adjustment Pin	1	
							RR106SB	Black Spring Loaded Pin	1
<b>4</b>	<b>RSUP</b>	<b>Lower Rail Assembly</b>	<b>1</b>	<b>8</b>	<b>RSUP</b>	<b>Vertical Column</b>	<b>1</b>		
		RR103EC	Tube Cap			2	R1952	Safety Hitch C Pin	1
		RR103RC	Rectangle End Cap			2	RR105TR	Tube Roller	2
<b>5</b>	<b>RSUP</b>	<b>Upper Rail Assembly</b>	<b>1</b>	<b>9,10</b>	<b>RABCS</b>	<b>Ab Crunch Assembly</b>	<b>1</b>		
		RR103RC	Rectangle End Cap			4	<b>11</b>	<b>RTGSS</b>	<b>Tri-Grip Shaper Bars</b>





# DEDICATION TO QUALITY

We warrant this product to be free from all defects in material and workmanship when used according to the manufacturer's instructions.

**Save your sales receipt.** You may wish to staple into this manual.

## TOTAL GYM FITNESS, LLC LIMITED WARRANTY

Total Gym Fitness, LLC warrants that under normal, personal, residential use, Total Gym® is free from defects in material or workmanship. The duration of coverage of this warranty is one (1) year for the frame and six (6) months for all other parts. This warranty is effective from the date of original purchase. **THIS WARRANTY IS VALID ONLY FOR THE ORIGINAL OWNER OF THIS EXERCISER AND IS NOT TRANSFERABLE.**

The Total Gym Fitness, LLC obligation under this warranty is limited to replacing the defective part(s); or, at its option, repairing or replacing (or refund in its sole discretion) the product. **For service on this equipment, call 1-800-501-4621. Warranty coverage is void for defects or damage caused by the use of unauthorized parts or service.**

This warranty does not cover product damage attributable to misuse, abuse, neglect, accidental damage, damage in return transit, unauthorized alterations, failure to follow manufacturer's directions for use or storage, improper maintenance, vandalism, usage for commercial or rental purposes, or "ordinary wear and tear". Cost of return shipping must be paid by you unless otherwise agreed upon by Total Gym Fitness, LLC. This warranty does not cover any separately sold items, parts, or accessories.

Except for other written warranties issued by Total Gym Fitness, LLC applicable to new Total Gym Fitness, LLC product or parts, no other express warranty is given or authorized by Total Gym Fitness, LLC. **Any implied warranty of merchantability or fitness for a particular purpose is limited to the**

**duration of this warranty.** No agent or retailer of Total Gym Fitness, LLC has authority to modify this warranty in any respect.

**TOTAL GYM FITNESS, LLC MAY NOT BE HELD LIABLE FOR INDIRECT OR CONSEQUENTIAL DAMAGES ARISING OUT OF USE OR PERFORMANCE OF THIS PRODUCT.** These include—but are not necessarily limited to—loss of use of the product; loss of time, enjoyment, or revenue; inconvenience; installation or removal costs; or other incidental or consequential damages.

SOME STATES DO NOT ALLOW LIMITATIONS ON HOW LONG AN IMPLIED WARRANTY LASTS, OR THE EXCLUSION OR LIMITATION OF INCIDENTAL OR CONSEQUENTIAL DAMAGES, SO THE ABOVE LIMITATION MAY NOT APPLY TO YOU. This warranty gives you specific legal rights; you may also have other rights which vary from state to state. This warranty is valid in the U.S. and Canada only.

To register your product online, go to **[totalgymdirect.com/warranty](http://totalgymdirect.com/warranty)**.



© 2019 Total Gym Fitness, LLC. All rights reserved. Total Gym® is a registered trademark.  
No part of this booklet may be reproduced in any form, by any means, electronic, mechanical or otherwise, without the express written consent of the copyright holder.

*Bring your workouts to the next level with optional attachments.  
Learn more at [TotalGymDirect.com](http://TotalGymDirect.com)*