

## Tower Components



Rosenberger Site Solutions is a Stocking Distributor of Sabre Industries. Focusing on Ease of Contractor Installation, in this catalog you will find a complete line-up of Antenna Mounting Systems along with Rooftop Mounts, Guy Cable and Hardware accessories.

Contact us if you do not see what you need. We have additional resources and will be happy to assist in meeting your requirements.

## Table of Contents

### TOWER ACCESSORIES:

SAF-T-Boom — Preassembled	4
ULTRA-Boom	5
Heavy Duty V-Boom	6
Large Leg Adapter	7
Universal Swivel Knuckle Tieback Kit	7
Tieback Clip Kit	7
Parabolic Dish Ice Shield	8
Parabolic Antenna Ice Shield	8
Universal Microwave Mounting Kit	8
Universal Pipe Mounting Kit	9
3' Standoff for Round & Angle Leg Towers	9
Pipe to Pipe Mounting Kit	9
Water Tank Handrail Mount	9
6" Pipe to Pipe Standoff	10
Pipe to Pipe Crossover Kit	10
Crossover Plates - <i>Plates Only</i>	10
Crossover Clamp	10
Universal Sidearm	11
Double Antenna Clamp - 2' Separation	11
Tri-Sector Cluster Mount	11
Heavy Duty Sidearm	11
Tower Standoff w/ 4' Face (optional)	11
3' Sidearm Assembly for 1200 TLWD and 1800 TLWD & SRWD	12
6' Sidearm Assembly for 1800 TLWD & SRWD	12
Dish Mount Assembly for 1200 TLWD and 1800 TLWD & SRWD	12
Stand-Off Brackets	12
Camera Mounts for 1800 TLWD & SRWD	12
RRU Mount Kits	14

### POLE ACCESSORIES:

Antenna Separation Kits	13
Low Profile Platform Kit	15
SAF-T-Arms — Square	16
T-Arm Assemblies (Square & Round)	17
Round Member T-Arms	18
Antenna Pipes	19
12' Low Profile Square Platform Kit	20
Tri-Collar Bracket	20
Bi/Quad Collar Bracket	20
Monopole Dish Mount	20
Standoff Arm	20
Chain Mount	20
Microwave Tieback Kit for Chain Mounts	21
Monopole Waveguide Support	21
Monopole Coax Support Bracket	21
Cluster Support Bracket	21
Snap-In Adapter Bracket	21
Stainless Steel Banding	22
Buckles	22
Tensioning Tool	22
Wraplock Kit	22
Galvanized Steel Step Bolt Assembly	22
Step Bolt Anchor Brackets	22
Step Bolt Clip, Black Steel	22
Access Ports, Black Steel	23

### ROOFTOP MOUNTS:

Non-Penetrating Rooftop Sector Frame	24
10' Face Corner Roof Mount	24
Water Tank & Tri-Sector Roof Mount	24
Water Tank Sector Mount	24
Water Tank Tripod	24

Non-Penetrating Tripod Mount	25
Heavy Duty Tripod Mount	25
Non-Penetrating Ballast Frame	25
3' x 3' Quad Pod Roof Mount	25
Dual Wall Mount	26
Universal Wall Mount	26
Corner Wall Mount	26
Rooftop Bridge Kit	26
Rooftop Bridge Sleeper	26
Rooftop Bridge Adjustable Splice Kits	27
Rooftop Bridge Straight Splice Kit	27
Rubber Mat	27
Uni-Strut	27
Equipment Rack	27
Steel Cable Tray (UL Listed)	28
Straight Pieces - Steel Cable Tray	28
90° Horizontal Bend - 24" Radius	28
45° Horizontal Bend - 24" Radius	28
Universal Degree Inside/Outside	29
Horizontal Tee - Steel Cable Tray	29
Horizontal Cross - Steel Cable Tray	29
Cable Tray Splice Kits - Steel Cable Tray	29
BTS Platform	30
Universal Equipment Platform Kit	30

## TRANSMISSION LINE SUPPORT:

Waveguide Bridge, 1' Wide, Two Posts - Direct Burial Type	31
Waveguide Bridge, 2' Wide, Two Posts - Direct Burial Type	31
Waveguide Bridge, 2' Wide, Four Posts - Direct Burial Type	32
Waveguide Bridge, 1' Wide, Two Posts - Base Plate Type	32
Waveguide Bridge, 2' Wide, Four Posts - Base Plate Type	33
General Support Bracket	33
Universal Z-Bracket Trapeze Kit	33
Triple-T Trapeze	33
Ice Bridge kit with 13'-4" Pipe Posts	34
Direct Burial Pipe Post Kit	35
Base Shoe Plate	35
Grip Strut Channel	35
Base Plate Pipe Post Kit	35
Knock Down Waveguide Ladder Kit	35
Waveguide Ladder Hardware Kit	36
Universal Waveguide Standoff Kit	36

Waveguide Ladder Stacker Kit	36
------------------------------	----

## CABLE & HARDWARE ACCESSORIES:

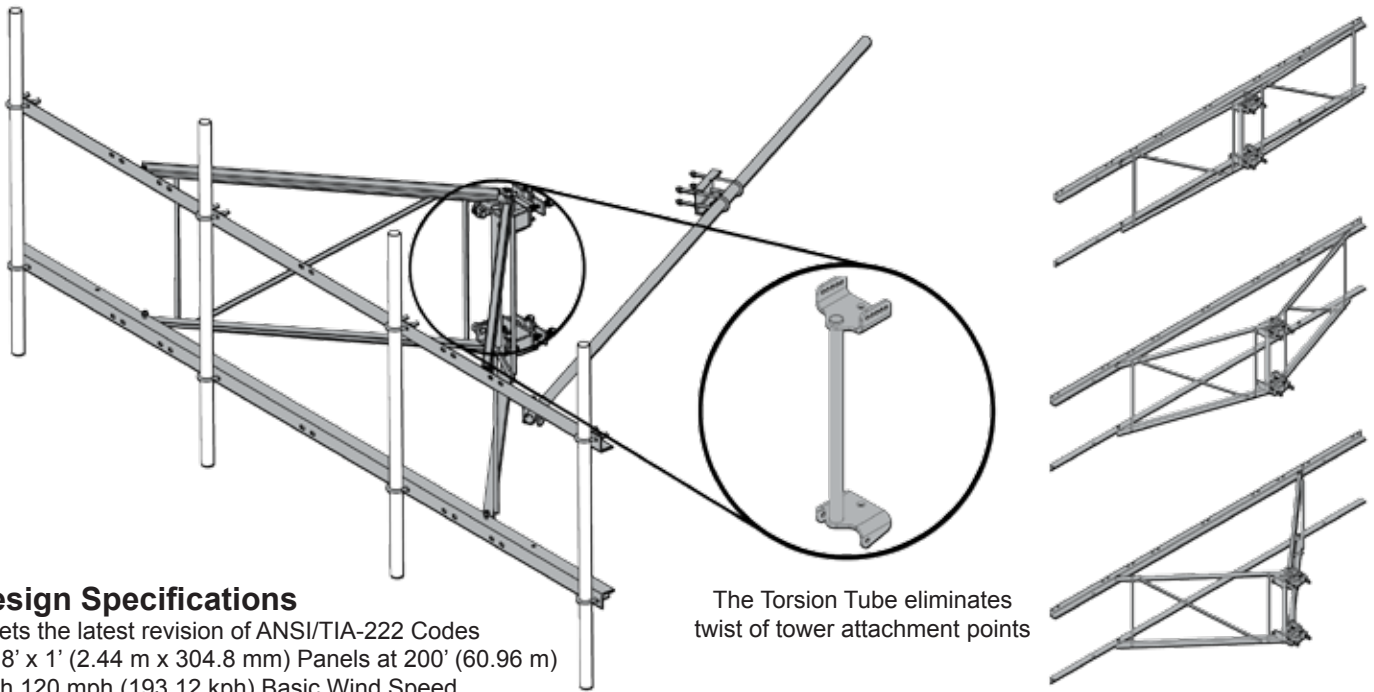
Guy Cable Hardware Kit	37
E.H.S. Guy Strand (Left Hand Lay)	37
Bird-Flight Diverter	38
Galvanized Heavy Thimble	38
Galvanized Wire Rope Clip	38
Galvanized Dead-End Sleeve (Ice-Clips)	39
Galvanized Dead-End Grip (Preforms)	39
Galvanized Jaw-Jaw Turnbuckle	39
Galvanized Jaw-Eye Turnbuckle	40
Galvanized Screw Pin Anchor Shackle	40
Galvanized J-Bolt Assembly	40
Galvanized U-Bolt Assembly	41
SS Fillister-Head Screw Assembly	42
Stainless Steel Bolt Assembly	42
SS Round-Head Screw Assembly	42
Stainless Steel Flat Washer	43
Stainless Steel Lock Washer	43
Stainless Steel Hex Nut	43
Stainless Steel Toothed Lock Washer	43
Stainless Steel Hook Bolt Assembly	43
Stainless Steel Threaded Rod Coupler	43

## LIGHTWEIGHT TOWERS & ACCESSORIES:

Rohn 25G Guyed Tower	44
Rohn 45G Guyed Tower	46
Rohn 55G Guyed Tower	48
Rohn SSV Towers	49
Sabre 1200 TLWD Guyed Tower	50
Sabre 1800 TLWD Guyed Tower	52
Sabre 1800 SRWD Guyed Tower	54
Sabre Series UL Self-Supporting Tower	55
Sabre Series VL Self-Supporting Tower	55
Lightweight Tower - DT	56
Light Duty Tower with Hinged Base Plate & Standoff Frame	56

PART NUMBER INDEX	57
-------------------	----





### Design Specifications

Meets the latest revision of ANSI/TIA-222 Codes  
 (4) 8' x 1' (2.44 m x 304.8 mm) Panels at 200' (60.96 m)  
 With 120 mph (193.12 kph) Basic Wind Speed  
 Dead Load 500 lbs (226.8 kg)  
 Live Load 250 lbs (113.4 kg)

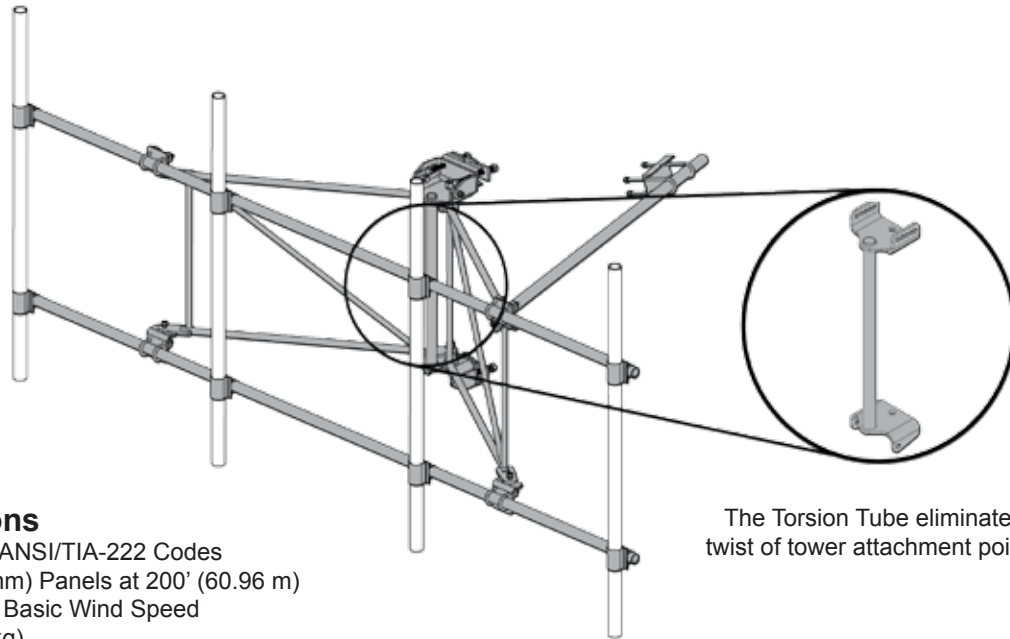
The Torsion Tube eliminates twist of tower attachment points

### SAF-T-Boom — Pre-assembled

Mounts to straight or tapered tower legs, round members 1-1/2" to 5-9/16" OD (38.1 mm to 141.29 mm) and angle from 2-1/2" x 2-1/2" (63.5 mm x 63.5 mm) to 4" x 4" (101.6 mm x 101.6 mm). The pivot feature allows for rotation of the frame to desired azimuths. The mounting bracket provides additional flexibility with 0-5° down-tilt capability. One 10' (3.05 m) tie-back arm included. Includes enough mounting hardware for four (4) 2-3/8" OD (60.33 mm) antenna pipes. (Antenna Pipe sold separately at the bottom of the page.) Capable of mounting to monopoles utilizing Tri-Collars (page 19) and Monopole Dish Mounts (page 19).

Frames come pre-assembled and folded together for efficient shipping and easy handling in the field.

Item #	Description	Wt. lb.	Wt. kg.
C10-150-022	10' (3.05 m) SAF-T-Boom with 3' (914.4 mm) Standoff	330.00	149.69
C10-150-023	12' (3.66 m) SAF-T-Boom with 3' (914.4 mm) Standoff	351.00	159.21
<b>Large Leg Adapter Kit</b>			
Allows Knock Down T-Boom to fit round legs from 1-1/2" to 10-3/4" OD (38.1 mm to 273.05 mm) and angle legs from 2-1/2" x 2-1/2" (63.5 mm x 63.5 mm) to 8" x 8" (203.2 mm x 203.2 mm).			
Item #	Description	Wt. lb.	Wt. kg.
C10-171-304	Large Leg Adapter Kit	51.00	23.13
<b>Antenna Pipes</b>			
Item #	Description	Wt. lb.	Wt. kg.
C10-981-223	2-3/8" OD x 5' (60.33 mm x 1.52 m) Long Mounting Pipe	16.10	7.30
C10-981-206	2-3/8" OD x 6' (60.33 mm x 1.83 m) Long Mounting Pipe	19.30	8.75
C10-981-207	2-3/8" OD x 7' (60.33 mm x 2.13 m) Long Mounting Pipe	22.50	10.21
C10-981-222	2-3/8" OD x 8' (60.33 mm x 2.44 m ) Long Mounting Pipe	25.70	11.66
C10-981-209	2-3/8" OD x 9' (60.33 mm x 2.74 m) Long Mounting Pipe	28.90	13.11
C10-981-210	2-3/8" OD x 10'-6" (60.33 mm x 3.2 m) Long Mounting Pipe	33.70	15.29



### Design Specifications

Meets the latest revision of ANSI/TIA-222 Codes  
 (4) 8' x 1' (2.44 m x 304.8 mm) Panels at 200' (60.96 m)  
 With 120 mph (193.12 kph) Basic Wind Speed  
 Dead Load 500 lbs (226.8 kg)  
 Live Load 250 lbs (113.4 kg)

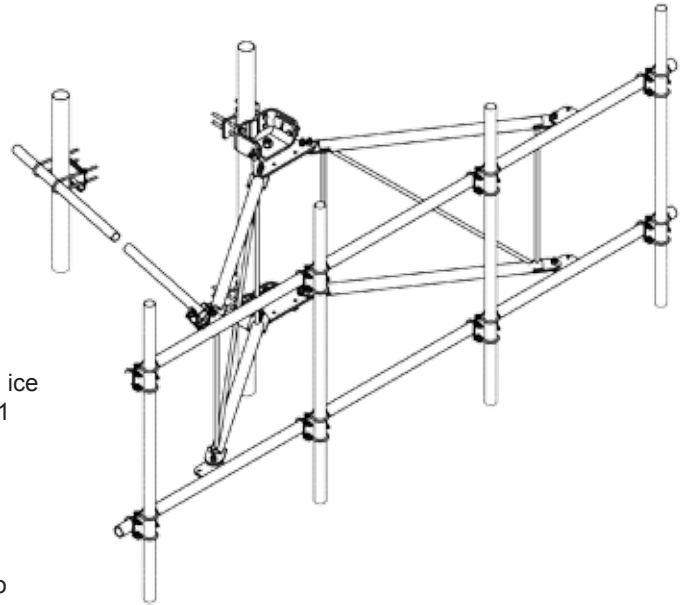
The Torsion Tube eliminates twist of tower attachment points

### ULTRA-Boom

Mounts to straight or tapered tower legs, round members 1-1/2" to 5-9/16" OD (38.1 mm to 141.29 mm) and angle from 2-1/2" x 2-1/2" (63.5 mm x 63.5 mm) to 4" x 4" (101.6 mm x 101.6 mm). The pivot feature allows for rotation of the frame to desired azimuths. The mounting bracket provides additional flexibility with 0-5° down-tilt capability. One 10' (3.05 m) tie-back arm is included. Includes enough mounting hardware for four (4) 2-3/8" OD (60.33 mm) antenna pipes. (Antenna Pipe sold separately at the bottom of the page.) Capable of mounting to monopoles utilizing Tri-Collars (page 19) and Monopole Dish Mounts (page 19)

Item #	Description	Wt. lb.	Wt. kg.
C10-852-501	8' (2.44 m) ULTRA-Boom with 3' (914.4 mm) Standoff	312.00	141.52
C10-852-531	10' (3.05 m) ULTRA-Boom with 3' (914.4 mm) Standoff	323.00	146.51
C10-852-561	12' (3.66 m) ULTRA-Boom with 3' (914.4 mm) Standoff	334.00	151.50
C10-852-591	14' (4.27 m) ULTRA-Boom with 3' (914.4 mm) Standoff	346.00	156.94
<b>Large Leg Adapter Kit</b>			
Allows Knock Down T-Boom to fit round legs from 1-1/2" to 10-3/4" OD (38.1 mm to 273.05 mm) and angle legs from 2-1/2" x 2-1/2" (63.5 mm x 63.5 mm) to 8" x 8" (203.2 mm x 203.2 mm).			
Item #	Description	Wt. lb.	Wt. kg.
C10-171-304	Large Leg Adapter Kit	51.00	23.13
<b>Antenna Pipes</b>			
Item #	Description	Wt. lb.	Wt. kg.
C10-981-223	2-3/8" OD x 5' (60.33 mm x 1.52 m) Long Mounting Pipe	16.10	7.30
C10-981-206	2-3/8" OD x 6' (60.33 mm x 1.83 m) Long Mounting Pipe	19.30	8.75
C10-981-207	2-3/8" OD x 7' (60.33 mm x 2.13 m) Long Mounting Pipe	22.50	10.21
C10-981-222	2-3/8" OD x 8' (60.33 mm x 2.44 m ) Long Mounting Pipe	25.70	11.66
C10-981-209	2-3/8" OD x 9' (60.33 mm x 2.74 m) Long Mounting Pipe	28.90	13.11
C10-981-210	2-3/8" OD x 10'-6" (60.33 mm x 3.2 m) Long Mounting Pipe	33.70	15.29

ULTRA-Boom EPA's (No Ice)				
	8' (2.44 m)	10' (3.05 m)	12' (3.66 m)	14' (4.27 m)
EPAN	6.43	7.32	8.04	8.80
EPAT	6.14	6.14	6.14	6.14



## Design Specifications

Meets the requirements of ANSI/TIA 22-2G  
 Basic Wind Speed 105 mph with no ice and 40 mph with 1" radial ice  
 Structure Class III, Exposure Category C, Topographic Category 1  
 Elevation 300 feet or less:  
 (4) 8'x18"x9' Panel Antennas  
 (8) 18"x18"x8" RRU's mounted behind the antennas  
 (4) 8' x 2-3/8" OD mounting pipes  
 Total Equipment Weight/mounting location 500#  
 Each mount is adequate for a factored climber load of 750# for no wind condition

## Heavy Duty V-Boom

Heavy Duty V-Boom Assemblies with 3' standoff and single tie-back kits. Each kit includes x-over plates and U-Bolts sized as noted below. Kits designed to interface to straight or tapered members from 1-1/2" to 5-9/16" O.D. Please contact for additional assistance if your requirement is for an angle member.

Item #	Description	Wt. lb.	Wt. kg.
C10-857-011	12' V-Boom Assembly with 3' Standoff. Includes Cross-Over kits for mast pipes from 2-3/8" OD to 2-3/8" OD. (4) per kit	501	141.52
C10-857-111	12' V-Boom Assembly with 3' Standoff. Includes Cross-Over kits for mast pipes from 2-3/8" OD to 2-7/8" OD (4) per kit	509	146.51
C10-857-022	10' V-Boom Assembly with 3' Standoff. Includes Cross-Over kits for mast pipes from 2-3/8" OD to 2-3/8" OD. (4) per kit	480	151.50
C10-857-222	10' V-Boom Assembly with 3' Standoff. Includes Cross-Over kits for mast pipes from 2-3/8" OD to 2-7/8" OD (4) per kit	480	156.94
Antenna Pipes			
Item #	Description	Wt. lb.	Wt. kg.
C10-981-223	2-3/8" OD x 5' (60.33 mm x 1.52 m) Long Mounting Pipe	16.10	7.30
C10-981-206	2-3/8" OD x 6' (60.33 mm x 1.83 m) Long Mounting Pipe	19.30	8.75
C10-981-207	2-3/8" OD x 7' (60.33 mm x 2.13 m) Long Mounting Pipe	22.50	10.21
C10-981-222	2-3/8" OD x 8' (60.33 mm x 2.44 m ) Long Mounting Pipe	25.70	11.66
C10-981-209	2-3/8" OD x 9' (60.33 mm x 2.74 m) Long Mounting Pipe	28.90	13.11
C10-981-210	2-3/8" OD x 10'-6" (60.33 mm x 3.2 m) Long Mounting Pipe	33.70	15.29



**Large Leg Adapter**

Allows a T-Boom to fit round legs from 5-3/4" to 10-3/4" (146.05 mm to 273.05 mm) diameter and 60° angle legs from 5" x 5" (127 mm x 127 mm) to 8" x 8" (203.2 mm x 203.2 mm).

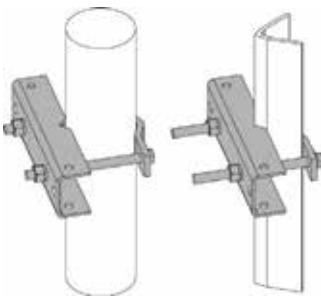
Item #	Description	Wt. lb.	Wt. kg.
C10-171-304	Large Leg Adapter Kit	51.00	23.13

**Universal Swivel Knuckle Tieback Kit**

Provides additional support to the Sector Mounts and the Sidearm Mounts. All hardware for attachment to the tower mount and leg is included.



Item #	Description	Wt. lb.	Wt. kg.
C10-179-001	2-3/8" OD x 10' (60.33 mm x 3.05 m) Swivel Knuckle Tieback. Swivel Knuckle will mount to members: • 1-1/2" O.D. to 5-9/16" O.D. Round. • 2-1/2" x 2-1/2" to 4" x 4" Angle.	59.00	26.76
C10-179-002	2-3/8" OD x 13'-3" (60.33 mm x 4.04 m) Swivel Knuckle Tieback. Swivel Knuckle will mount to members: • 1-1/2" O.D. to 5-9/16" O.D. Round. • 2-1/2" x 2-1/2" to 4" x 4" Angle.	70.00	31.75
C10-179-011	2-7/8" OD x 15'-6" (73.03 mm x 4.72 m) Swivel Knuckle Tieback. Swivel Knuckle will mount to members: • 1-1/2" O.D. to 5-9/16" O.D. Round. • 2-1/2" x 2-1/2" to 4" x 4" Angle.	120.00	54.43
C10-179-012	2-7/8" OD x 20' (73.03 mm x 6.10 m) Swivel Knuckle Tieback. Swivel Knuckle will mount to members: • 1-1/2" O.D. to 5-9/16" O.D. Round. • 2-1/2" x 2-1/2" to 4" x 4" Angle.	147.00	66.68
C10-179-201	1.9" OD x 10' (48.26 mm x 3.05 m) Swivel Knuckle Tieback. Swivel Knuckle will mount to members: • 1-1/2" O.D. to 5-9/16" O.D. Round.	35.00	15.88



**Tieback Clip Kit**

Used in conjunction with Tieback Kits. Hardware for attachment to tower leg is included.

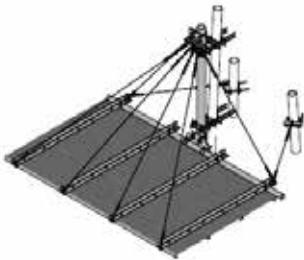
Item #	Description	Wt. lb.	Wt. kg.
C10-177-101	Tieback Clip Kit fits 1-1/2" to 5-9/16" OD (38.1 mm to 141.29 mm) legs and 2-1/2" x 2-1/2" (63.5 mm x 63.5 mm) to 4" x 4" (101.6 mm x 101.6 mm) angle legs	15.50	7.03
C10-177-102	Tieback Clip Kit fits 5-3/4" to 10-3/4" OD (146.05 mm to 273.05 mm) legs and 5" x 5" (127 mm x 127 mm) to 8" x 8" (203.2 mm x 203.2 mm) angle legs	18.00	8.16



### Parabolic Dish Ice Shield

Protects parabolic dish antennas up to 12' (3.66 m) in diameter from falling ice. Mounts to the provided 4-1/2" OD (114.3 mm) mounting pipe or 4-1/2" OD (114.3 mm) tower leg and fits leg sizes of 2" to 10-3/4" OD or 2" to 8" 60 degree angle.

Item #	Description	Wt. lb.	Wt. kg.
C30-085-102	Parabolic Dish Ice Shield, 4' - 8' (1.22 m - 2.44 m). Leg Sizes: • 2" OD to 10-3/4" OD • 2" to 8" Angle Leg (60 deg)	600.00	272.16
C30-085-103	Parabolic Dish Ice Shield, 10' - 12', (3.05 m - 3.66 m). Leg Sizes: • 2" OD to 10-3/4" OD • 2" to 8" Angle Leg (60 deg)	667.00	302.09



### Parabolic Antenna Ice Shield

Protects parabolic dish antennas up to 10' (3.05 m) in diameter from falling ice. Mounts to the provided 4-1/2" OD (114.3 mm) mounting pipe or 4-1/2" OD (114.3 mm) tower leg and fits leg sizes of 1-1/2" to 5" OD (38.1 mm to 127 mm). Each kit comes with all hardware required for attachment to the tower. (Mounting hardware for leg sizes larger than 5" OD (127 mm) is available by special order.)

Item #	Description	Wt. lb.	Wt. kg.
C30-085-001	For 4' (1.22 m) Parabolic Antenna	401.00	181.89
C30-085-002	For 6' - 8' (1.83 m - 2.44 m) Parabolic Antenna	701.00	317.97
C30-085-003	For 10' (3.05 m) Parabolic Antenna	745.00	337.93

### Universal Microwave Mounting Kit

Mounts microwave dishes to either round or angle legs. Kits also adapt to straight or tapered towers. Kits include 4-1/2" OD x 7' (114.3 mm x 2.13 m) pipe.



Item #	Description	Wt. lb.	Wt. kg.
C10-153-202	Universal Mounting Kit (small) fits 1-1/2" to 5-9/16" OD (38.1 mm to 141.29 mm) legs and 2-1/2" x 2-1/2" (63.5 mm x 63.5 mm) up to 4" x 4" (101.6 mm x 101.6 mm) angle legs	145.00	65.77
C10-153-204	Universal Mounting Kit (large) fits 5-3/4" to 10-3/4" OD (146.05 mm to 273.05 mm) legs and 5" x 5" (127 mm x 127 mm) to 8" x 8" (203.2 mm x 203.2 mm) angle legs	165.00	74.84
C10-172-998	Universal Mounting Kit (small) fits 1-1/2" to 5-9/16" OD (38.1 mm to 141.29 mm) legs and 2-1/2" x 2-1/2" (63.5 mm x 63.5 mm) up to 4" x 4" (101.6 mm x 101.6 mm) angle legs. Double U-bolts for heavy duty pipe connection	175.00	79.38
C10-172-999	Universal Mounting Kit (large) fits 5-3/4" to 10-3/4" OD (146.05 mm to 273.05 mm) legs and 5" x 5" (127 mm x 127 mm) to 8" x 8" (203.2 mm x 203.2 mm) angle legs. Double U-bolts for heavy duty pipe connection	195.00	88.45
C10-179-201	1.9" OD x 10' (48.26 mm x 3.05 m) Swivel Knuckle Tieback	35.00	15.88



## Universal Pipe Mounting Kit

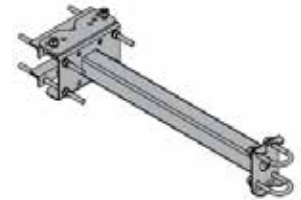
Accommodates pipe sizes from 2-3/8" up to 4-1/2" OD (60.33 mm up to 114.3 mm). Mount can be used on both tapered and straight leg towers. (Pipe & U-bolt Assembly sold separately on pages 18 & 40.)



Item #	Description	Wt. lb.	Wt. kg.
C10-172-101	Universal Pipe Mounting Kit (small) fits 1-1/2" to 5-9/16" OD (38.1 mm to 141.29 mm) legs and 2-1/2" x 2-1/2" (63.5 mm x 63.5 mm) to 4" x 4" (101.6 mm x 101.6 mm) angle legs	83.00	37.65
C10-172-102	Universal Pipe Mounting Kit (large) fits 5-3/4" to 10-3/4" OD (146.05 mm to 273.05 mm) legs and 5" x 5" (127 mm x 127 mm) to 8" x 8" (203.2 mm x 203.2 mm) angle legs	103.00	46.72

## 3' Standoff for Round and Angle Leg Towers

Item #	Description	Wt. lb.	Wt. kg.
C10-148-003	3' (914.4 mm) Standoff Assembly for 2-3/8" (60.33 mm) mounting pipes. Fits 1-1/2" to 8-5/8" OD (38.1 mm to 291.07 mm) legs and 2-1/2" x 2-1/2" (63.5 mm x 63.5 mm) up to 4" x 4" (101.6 mm x 101.6 mm) angle legs	44.10	20.00



## Pipe to Pipe Mounting Kit

Allows attachment of a pipe 1-1/2" to 5" OD (38.1 mm to 127 mm) to a tower leg 1-1/2" to 5" OD (38.1 mm to 127 mm). Mounting hardware (5/8" x 1'-6" threaded rod) included.

(Pipe sold separately on pages 18)

Item #	Description	Wt. lb.	Wt. kg.
C10-158-100	Pipe to Pipe Mounts from 1-1/2" to 5" OD (38.1 mm to 127 mm). Kit of two	25.5	11.57
C10-158-001	GPS Antenna Mounting Kit with 1.9" OD x 2' (48.26 mm x 609.6 mm) pipe	23.00	10.43



-100



-001

## Water Tank Handrail Mount

Allows attachment of an antenna to a water tank platform handrail. All mounting hardware and 2-3/8" OD x 6' long pipe (60.33 mm x 1.83 m) are included.

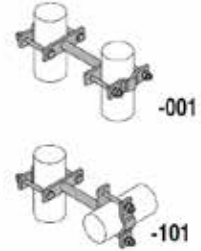
Item #	Description	Wt. lb.	Wt. kg.
C10-169-001	Water Tank Handrail	43.00	19.50



## 6" Pipe to Pipe Standoff

Used to standoff anything away from a tower leg. Fits 1-1/4" to 3-1/2" OD (31.75 mm to 88.9 mm) round legs. Two can be used for a simple pipe mount. Mounting hardware included.

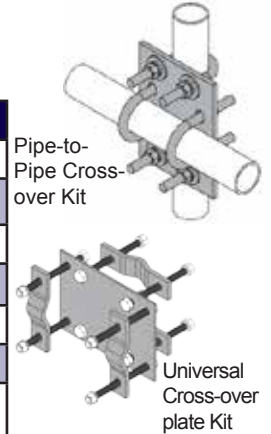
Item #	Description	Wt. lb.	Wt. kg.
C10-180-001	Pipe to Pipe 6" (152.4 mm) Standoff	7.00	3.18
C10-180-101	90° Pipe to Pipe 6" (152.4 mm) Standoff	7.00	3.18



## Pipe to Pipe Crossover Kit (5/8" Hardware)

Allows two round pipes or solids to be attached together at a right angle to each other. Each kit includes one (1) plate and four (4) U-Bolt Assemblies.

Item #	Description	Wt. lb	Wt. kg
C10-902-011	2-3/8" OD round to 2-3/8" OD round (60.33 mm to 60.33 mm)	13.80	6.26
C10-902-012	2-3/8" OD round to 2-7/8" OD round (60.33 mm to 73.03 mm)	14.50	6.58
C10-902-013	2-3/8" OD round to 3-1/2" OD round (60.33 mm to 88.9 mm)	15.20	6.89
C10-902-004	2-3/8" OD round to 4-1/2" OD round (60.33 mm to 114.3 mm)	16.50	7.48
C10-902-331	2" OD round to 2-3/8" OD round (50.8 mm to 60.33 mm)	12.10	5.49
C10-902-006	Crossover Plate Kit for 2-7/8" & 3-1/2" OD Pipes.		
C10-902-997	Universal Cross Over Plate Kit, 1-1/2" to 5" and 1-1/2" to 5". Includes Crossover plate (1), 2 hole pipe adapter clamp (4) & bolt assemblies (8)		



## Double Crossover Plate Assembly

Double crossover plate assembly for installation of 2-3/8" O.D. pipe to 4" Square Tube. Comes with 1/2" U-Bolt Assembly and threaded rod.

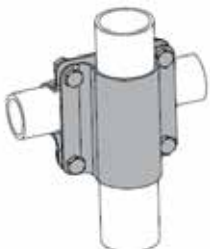
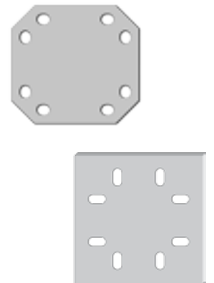
Item #	Description	Wt. lb	Wt. kg
D19996	(2) 2-3/8" OD Pipe to 4" Square Tube	16.30	7.40



## Crossover Plates - Plate Only

U-Bolt Style Crossover Plates Only. Plates 3/8" and 1/4" Galvanized Steel HDG. U-Bolts sold separate on page 40. Sold per unit / all hardware sold separately. Plates can be purchased as kit under Pipe to Pipe Crossover Kit.

Part Number	Pipe Range	Plate Dimensions	Thickness	Kit P/N
CS03123	2-3/8" OD to 3-1/2"	6-3/8" x 7-1/2"	3/8"	C10-902-013
CS03116	2-3/8" OD to 2-7/8" OD or 3" OD	6-3/8" x 6-3/8"	3/8"	C10-902-012
CS03115	2-3/8" OD to 2-3/8" OD	6-3/8" x 6-3/8"	3/8"	C10-902-011
CS00072	2-3/8" OD to 4-1/2" OD	7" x 11-1/2"	3/8"	C10-902-004
CS00428	2" OD to 2-3/8" OD	10" x 10"	1/4"	C10-902-331



## Crossover Clamp

Used to attach round members perpendicularly to other round members. Hardware included.

Item #	Description	Wt. lb.	Wt. kg.
C40-204-100	1.9" OD to 2-3/8" OD (48.26 mm to 60.33 mm)	4.00	1.81
C40-204-101	1.9" OD to 2-7/8" OD (48.26 mm to 73.03 mm)	5.10	2.31
C40-204-112	2-3/8" OD to 2-3/8" OD (60.33 mm to 60.33 mm)	4.00	1.81

## Universal Sidearm

Mounts to straight leg towers from 1-1/4" to 5" OD (31.75 mm to 127 mm) round legs and 2" x 2" (50.8 mm x 50.8 mm) to 3-1/2" x 3-1/2" (88.9 mm x 88.9 mm) angle legs. 1.9" OD x 3' (48.26 mm x 914.4 mm) welded mounting pipe and all attachment hardware included. All sidearms include 1.9" OD x 10' (48.26 mm x 3.05 m) tieback assembly.



Item #	Description	Wt. lb.	Wt. kg.
C10-151-902	2' (609.6 mm) Universal Sidearm	96.10	43.59
C10-151-903	3' (914.4 mm) Universal Sidearm	113.00	51.26
C10-151-904	4' (1.22 m) Universal Sidearm	123.50	56.02
C10-151-905	5' (1.52 m) Universal Sidearm	134.40	60.96
C10-151-906	6' (1.83 m) Universal Sidearm	145.40	65.95



## Double Antenna Clamp - 2' Separation

Allows for dual antenna attachment to Universal Sidearms and Heavy Duty Sidearms. Accepts and interfaces to round members from 1-1/2" OD to 5" OD. (38.1 mm to 127 mm) (Pipes sold separately on page 18.)

Item #	Description	Wt. lb.	Wt. kg.
C10-854-101	Double Antenna Clamp	30.66	13.91



## Tri-Sector Cluster Mount

Allows the mounting of three (3) 2-3/8" OD (60.33 mm) pipes (sold separately on page 14) to a tower leg or tripod. It will fit a round member from 2-7/8" to 5-9/16" OD (73.03 mm to 141.29 mm). Mounting hardware included

Item #	Description	Wt. lb.	Wt. kg.
C10-219-101	Tri-Sector Cluster Mount	48.00	21.77



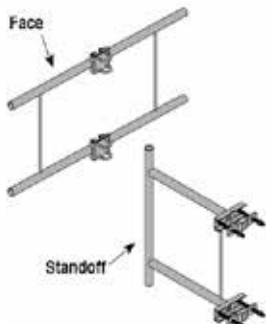
## Heavy Duty Sidearm

Includes 4" OD x 4' (0.226 Wall) (101.6 mm x 1,219.2 mm) mounting pipe, stiffarm and all mounting hardware to mount to straight leg towers from 1-1/2" to 5-9/16" OD (38.1 mm to 141.29 mm) round legs. Fits towers with face widths between 3' and 5' (914.4 mm and 1.52 m). Comes preassembled and ready for installation.

Item #	Description	Wt. lb.	Wt. kg.
C10-149-006	Face Mounted for Heavy Duty 6' (1.83 m) Standoff	198.70	90.13

## Tower Standoff with an Optional 4' Face

2' (609.6 mm) Standoff capable of mounting to straight sections 1-1/4" - 5" OD (31.75 mm - 127 mm) and 2" x 2" to 3-1/2" x 3-1/2" (50.8 mm x 50.8 mm to 88.9 mm x 88.9 mm) angle.



Item #	Description	Wt. lb.	Wt. kg.
C10-159-004	4' (1.22 m) Face for 2' (609.6 mm) Standoff	34.10	15.47
C10-151-201	2' (609.6 mm) Welded Standoff with 1.9" OD (48.26 mm) Mounting Pipe	31.64	14.35
C10-151-202	3' (914.4 mm) Welded Standoff with 1.9" OD (48.26 mm) Mounting Pipe	47.90	21.72
C10-151-203	4' (1.22 m) Welded Standoff with 1.9" OD (48.26 mm) Mounting Pipe	54.70	24.81
C10-151-204	5' (1.52 m) Welded Standoff with 1.9" OD (48.26 mm) Mounting Pipe	61.60	27.94
C10-151-205	6' (1.83 m) Welded Standoff with 1.9" OD (48.26 mm) Mounting Pipe	68.70	31.16

## 3' Sidearm Assembly for 1200 TLWD and 1800 TLWD & SRWD

For use in mounting a single antenna 3' (914.4 mm) from the tower leg. Sidearm and hardware for attachment to tower face and 2-3/8" OD x 4' (60.33 mm x 1.22 m) mounting pipe. Mounting pipe included where noted.

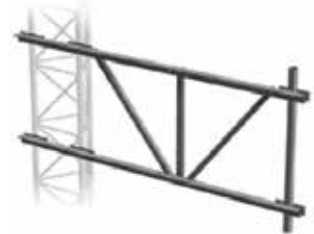
Item #	Description	Wt. lb.	Wt. kg.
C30-904-161	3' (914.4 mm) Sidearm Assembly with 2-3/8" OD x 4' (60.33 mm x 1.22 m) Mounting Pipe	61.50	27.90
C30-904-162	3' (914.4 mm) Sidearm Assembly	46.30	20.96



## 6' Sidearm Assembly for 1800 TLWD & SRWD

For use in mounting a single antenna 6' (1.83 m) from the tower leg. Sidearm and hardware for attachment to tower face and 2-3/8" OD x 4' (60.33 mm x 1.22 m) mounting pipe. Mounting pipe included where noted.

Item #	Description	Wt. lb.	Wt. kg.
C30-904-281	6' (1.83 m) Sidearm Assembly with 2-3/8" OD x 4' (60.33 mm x 1.22 m) Mounting Pipe	111.80	50.71
C30-904-282	6' (1.83 m) Sidearm Assembly	96.60	43.82



## Dish Mount Assembly for 1200 TLWD and 1800 TLWD & SRWD

For use in mounting small dish type antennas. Dish mount and hardware for attachment to tower face and 2-3/8" OD x 5' (60.33 mm x 1.52 m) mounting pipe. Mounting pipe included where noted.

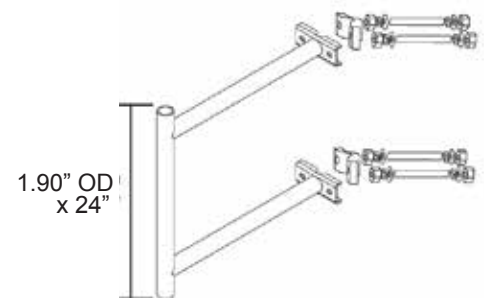
Item #	Description	Wt. lb.	Wt. kg.
C30-904-248	Dish Mount Assembly with 2-3/8" OD x 5' (60.33 mm x 1.52 m) Mounting Pipe	80.70	36.60
C30-904-249	Dish Mount Assembly with 4-1/2" OD x 5' (114.3 mm x 1.52 m) Mounting Pipe	117.80	53.43
C30-904-250	Dish Mount Assembly. Antenna Mast Pipe 2-3/8" min to 4-1/2" sold separately. See page 18 for pipes.	61.70	27.99



## Stand-Off Brackets

Stand-Off Brackets provide reliability and are just right for wireless omni antennas. A wide range of stand-off distances are offered in order to fit multiple applications. The hot-dipped galvanized steel is suitable for extreme environmental conditions. All brackets come with hardware for round members up to 3-1/2" OD

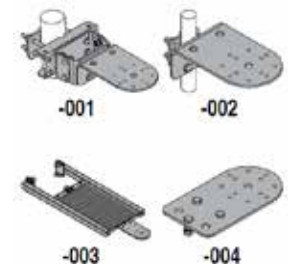
Item #	Description	Qty
D18700	24", 1.90" OD x 24" Antenna Mounting Pipe	Each
D18701	36", 1.90" OD x 32" Antenna Mounting Pipe	Each
D18702	48", 1.90" OD x 32" Antenna Mounting Pipe	Each
D18702B	72", 1.90" OD x 32" Antenna Mounting Pipe	Each

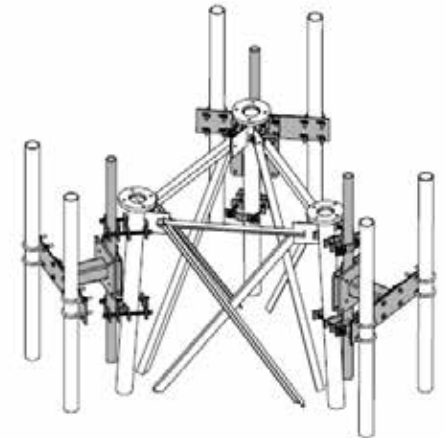
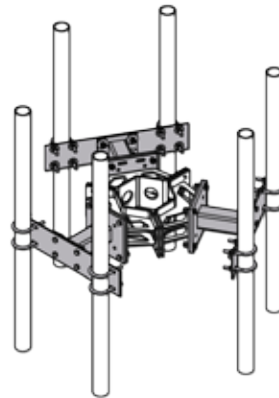
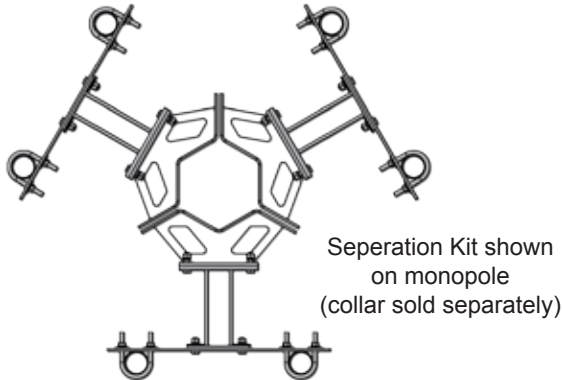


## Camera Mounts for 1800 TLWD & SRWD

Allows a variety of methods for attaching cameras to towers. Mounting hardware included.

Item #	Description	Wt. lb.	Wt. kg.
C10-005-001	For angle or round leg towers. Allows for taper adjustment. Fits round legs from 1-1/4" to 5-9/16" OD (31.75 mm to 141.29 mm). Fits angle legs from 2" to 4" (50.8 mm to 101.6 mm)	34.10	15.47
C10-005-002	For straight leg round member towers. Fits 1-1/4" to 5-9/16" OD (31.75 mm to 141.29 mm)	31.64	14.35
C10-005-003	A platform style of mount allowing the camera to stand away from the tower. Fits 18" (457.2 mm) face width towers with 1-1/4" (31.75 mm) legs	47.90	21.72
C10-005-004	4' (1.22 m) Welded Standoff with 1.9" OD (48.26 mm) Mounting Pipe	54.70	24.81





Typical Tapered Tower Section and 2' Separation Kit Shown

## Antenna Separation Kits

2', 3' and 4' (609.6 mm, 914.4 mm and 1.22 m) Separation Kits with 1' (304.8 mm) Standoff for six mounting pipes for towers and poles. For use with 2-3/8", 2-7/8" or 3-1/2" OD (60.33 mm, 73.03 mm or 88.9 mm) mounting pipes. (Purchase Pipes separately on page 18.) Each Separation Kit includes three (3) standoffs for attachment to monopole, straight tower section, or tapered tower section. Choose appropriate mount from application list below.

Item #	Description	Wt. lb.	Wt. kg.
C10-114-200	2' (609.6 mm) Separation Kit for Monopole	198.00	89.81
C10-114-300	3' (914.4 mm) Separation Kit for Monopole	258.00	117.03
C10-114-400	4' (1.22 m) Separation Kit for Monopole	334.00	151.50

### Monopole Applications

Allows for attachment of Antenna Separation Kits to monopoles.

Item #	Description	Wt. lb.	Wt. kg.
C10-112-300	10" - 40" (254 mm - 1.02 m) diameter Tri-Collar	172.00	78.02
C10-112-301	12" - 60" (304.8 mm - 1.52 m) diameter Tri-Collar	336.00	152.41

### Straight Tower Applications

Kit includes (1) one set of attachment brackets per leg interfaces to straight tower members from 1-1/2" OD thru 5-9/16" OD (38.10 mm to 141.287 mm). For a complete kit 3 required.

Item #	Description	Wt. lb.	Wt. kg.
C10-114-000	Universal Saddle Clamp For Round Members 1-1/2" to 5-9/16"	16.10	7.30

### Tapered/Straight Tower Applications

Kit includes (1) one set of attachment brackets per leg interfaces to straight tower members from 1-1/2" OD thru 8-5/8" OD (38.10 mm to 219.075 mm). For a complete kit 3 required.

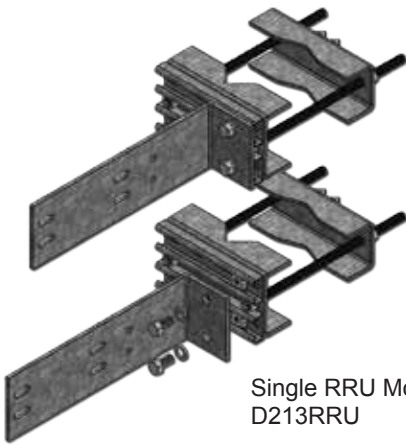
Item #	Description	Wt. lb.	Wt. kg.
C10-114-999	Standoff Arm Tower Mounting Kit, 1-1/2" to 8-5/8" OD Round Leg and Up to 6" x 6" Angle Legs	47	21.32

## INTRODUCING **New RRU Mount Kits**

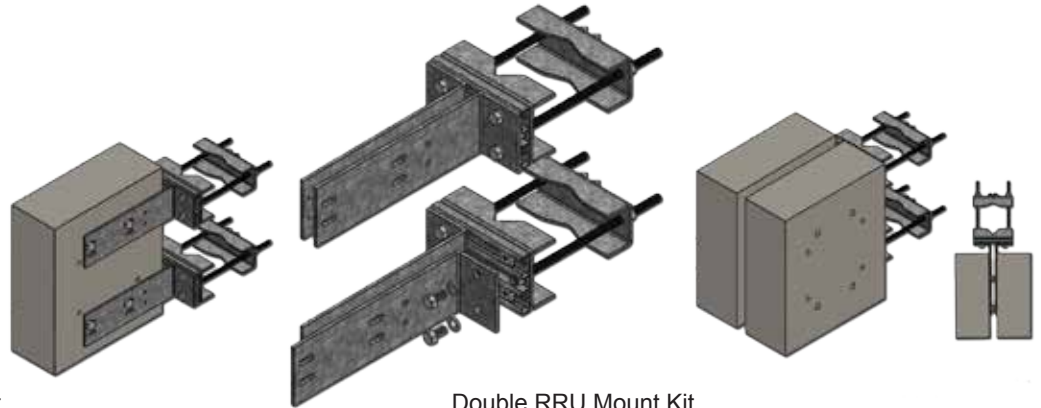
### RRU Mount Kits

Rosenberger RRU Mounts interface to tower legs from:

- 1/2" to 5" OD
- 60deg angle 1" to 5"
- 90deg angle 1" to 3.5"



Single RRU Mount Kit  
D213RRU

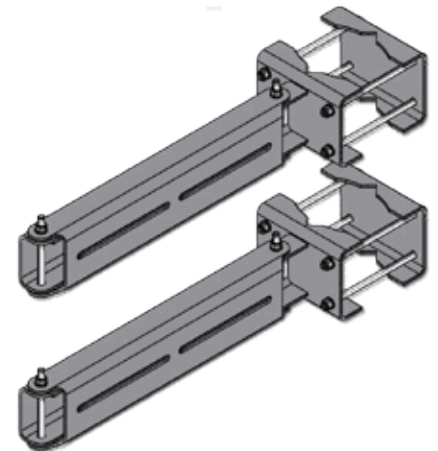


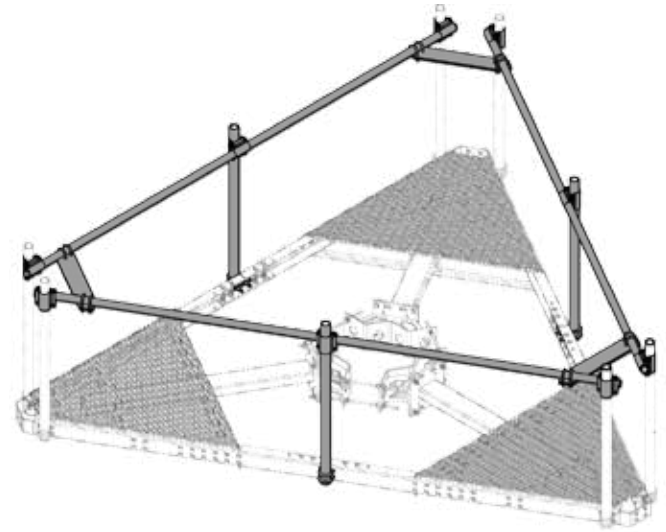
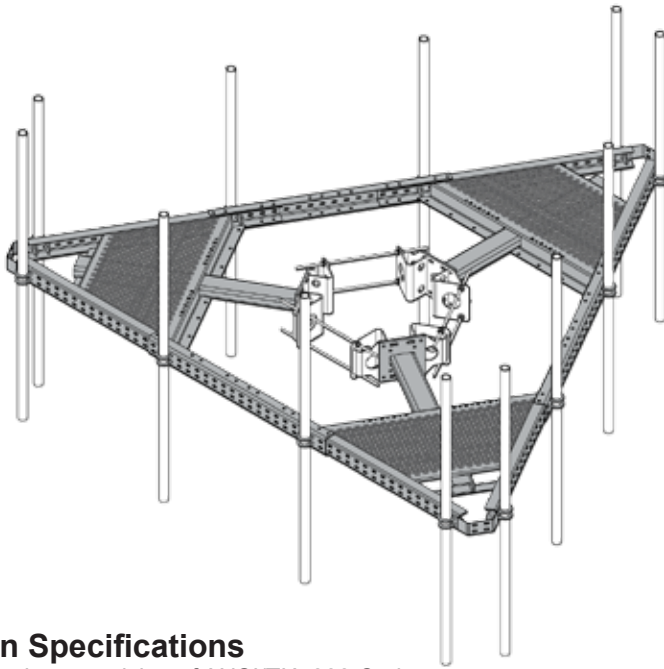
Double RRU Mount Kit  
D215RRU

Item #	Description	Wt. lb.	Wt. kg.
D213RRU	Universal Single RRU mount. <ul style="list-style-type: none"> <li>• Fits Round Legs: 1/2" OD to 5" OD</li> <li>• 60 Deg Angle Legs: 1" to 5"</li> <li>• 90 Deg Angle Legs: 1" to 3.5"</li> </ul>	24.16	10.95
D215RRU	Universal Double RRU mount. <ul style="list-style-type: none"> <li>• Fits Round Legs: 1/2" OD to 5" OD</li> <li>• 60 Deg Angle Legs: 1" to 5"</li> <li>• 90 Deg Angle Legs: 1" to 3.5"</li> </ul>	34.00	15.42

## INTRODUCING **New Dual Swivel Mount**

Item #	Description	Wt. lb.	Wt. kg.
D218RRUDSM	Dual Swivel (Swing) Mount Standard leg accommodations 2.38" to 4.50" Round and 3.0" x 3.0" Angle. Easy conversion to accommodate smaller diameter legs if required.	18.33	8.31





## Design Specifications

Meets the latest revision of ANSI/TIA-222 Codes  
 (15) 8' x 1' (2.44 m x 304.8 mm) Panels at 200' (60.96 m)  
 With 120 mph (193.12 kph) Basic Wind Speed  
 Dead Load 1000 lbs (453.59 kg)  
 Live Load 500 lbs (226.8 kg)

Handrail Kit for Platform Shown

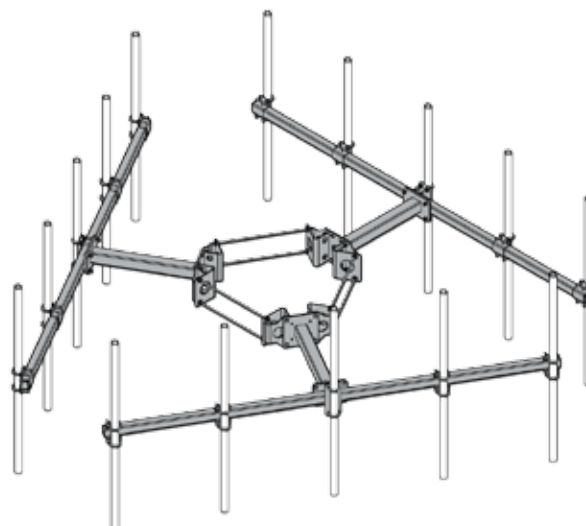
## Low Profile Platform Kit

This unique design allows for one Platform Kit to be used as one of two face widths: 10' or 12' (3.05 m or 3.66 m). The pre-welded corners allow for easy colocation, and expanded metal grating provides a safe and solid working deck. Includes enough mounting hardware for twelve (12) 2-3/8" OD (60.33 mm) antenna pipes. Purchase appropriate Tri-Collar Bracket, pipes, optional Handrail Kits and additional walkways separately.

Item #	Description	Wt. lb.	Wt. kg.
C10-851-001	10' or 12' (3.05 m or 3.66 m) Low Profile Platform	813.00	368.77
<b>Tri-Collar Brackets</b>			
Item #	Description	Wt. lb.	Wt. kg.
C10-112-300	10" - 40" (254 mm - 1.02 m) Tri-Collar Bracket	172.00	78.02
C10-112-301	12" - 60" (304.8 mm - 1.52 m) Tri-Collar Bracket	336.00	152.41
<b>Handrail Kits for Platform</b>			
Item #	Description	Wt. lb.	Wt. kg.
C10-116-812	10' (3.05 m) Handrail Kit (3 vertical pipes included)	228.00	103.42
C10-116-813	12' (3.66 m) Handrail Kit (3 vertical pipes included)	245.00	111.13
C10-116-814	14' (4.27 m) Handrail Kit (3 vertical pipes included)	262.00	118.84
<b>Antenna Mounting Pipes</b>			
Item #	Description	Wt. lb.	Wt. kg.
C10-981-223	2-3/8" OD x 5' (60.33 mm x 1.52 m) Long Mounting Pipe	16.10	7.30
C10-981-206	2-3/8" OD x 6' (60.33 mm x 1.83 m) Long Mounting Pipe	19.30	8.75
C10-981-207	2-3/8" OD x 7' (60.33 mm x 2.13 m) Long Mounting Pipe	22.50	10.21
C10-981-222	2-3/8" OD x 8' (60.33 mm x 2.44 m ) Long Mounting Pipe	25.70	11.66
C10-981-209	2-3/8" OD x 9' (60.33 mm x 2.74 m) Long Mounting Pipe	28.90	13.11
C10-981-210	2-3/8" OD x 10'-6" (60.33 mm x 3.2 m) Long Mounting Pipe	33.70	15.29

## Design Specifications

Meets the latest revision of ANSI/TIA-222 Codes  
 (4) 8' x 1' (2.44 m x 304.8 mm) Panels at 200' (60.96 m)  
 110 mph (193.12 kph) Basic Wind Speed  
 Dead Load 500 lbs (226.8 kg)  
 Live Load 250 lbs (113.4 kg)



## SAF-T-Arms — Square

Provides a secure mounting face to eliminate “pipe roll” during installation. Creates a true vertical pipe alignment and offers the flexibility to mount antennas anywhere across the face. Each kit includes three (3) T-Arm Assemblies, appropriate Tri-Collar Bracket and fifteen (15) sets of mounting hardware. (Pipe is ordered separately at the bottom of this page). Also available in 5' (1.52 m) Standoff Lengths and single units.

### 3' (914.4 m) Standoff Length

Item #	Description	Wt. lb.	Wt. kg.
C10-856-001	4' (1.22 m) Face, 3' (914.4 mm) Standoff for 2/3 Mounting Pipes for 10" - 40" (254 mm - 1.02 m) Poles	546.20	247.75
C10-856-051	4' (1.22 m) Face, 3' (914.4 mm) Standoff for 2/3 Mounting Pipes for 40" - 60" (1.02 m - 1.52 m) Poles	710.50	322.28
C10-856-201	6' (1.83 m) Face, 3' (914.4 mm) Standoff for 4/5 Mounting Pipes for 10" - 40" (254 mm - 1.02 m) Poles	621.20	281.77
C10-856-251	6' (1.83 m) Face, 3' (914.4 mm) Standoff for 4/5 Mounting Pipes for 40" - 60" (1.02 m - 1.52 m) Poles	785.50	356.30
C10-856-401	8' (2.44 m) Face, 3' (914.4 mm) Standoff for 4/5 Mounting Pipes for 10" - 40" (254 mm - 1.02 mm) Poles	663.20	300.82
C10-856-451	8' (2.44 m) Face, 3' (914.4 mm) Standoff for 4/5 Mounting Pipes for 40" - 60" (1.02 m - 1.52 m) Poles	827.50	375.35
C10-856-601	10' (3.05 m) Face, 3' (914.4 mm) Standoff for 4/5 Mounting Pipes for 10" - 40" (254 mm - 1.02 m) Poles	708.20	321.23
C10-856-651	10' (3.05 m) Face, 3' (914.4 mm) Standoff for 4/5 Mounting Pipes for 40" - 60" (1.02 m - 1.52 m) Poles	872.50	395.76
C10-856-801	12' (3.66 m) Face, 3' (914.4 mm) Standoff for 4/5 Mounting Pipes for 10" - 40" (254 mm - 1.02 m) Poles	741.20	336.20
C10-856-851	12' (3.66 m) Face, 3' (914.4 mm) Standoff for 4/5 Mounting Pipes for 40" - 60" (1.02 m - 1.52 m) Poles	905.50	410.73

### Azimuth Adjustment Swivel

Required when azimuths are different than the typical 120° separation.

Allows for the face of the SAF-T-Arm to move 30° each way for a total of 60° azimuth adjustment capability.

Item #	Description	Wt. lb.	Wt. kg.
C10-113-200	One (1) Azimuth Swivel	37.00	16.78

### Work Platforms for SAF-T-Arms

Item #	Description	Wt. lb.	Wt. kg.
C10-181-013	3' (914.4 mm) Walkway for Standoff Arm	67.00	30.39
C10-181-014	10' (3.05 m) Walkway for T-Arm Face	123.90	56.20
C10-181-011	Complete Walkway Kit (3' and 10' (914.4 mm and 3.05 m) Face Walkways)	190.90	86.59

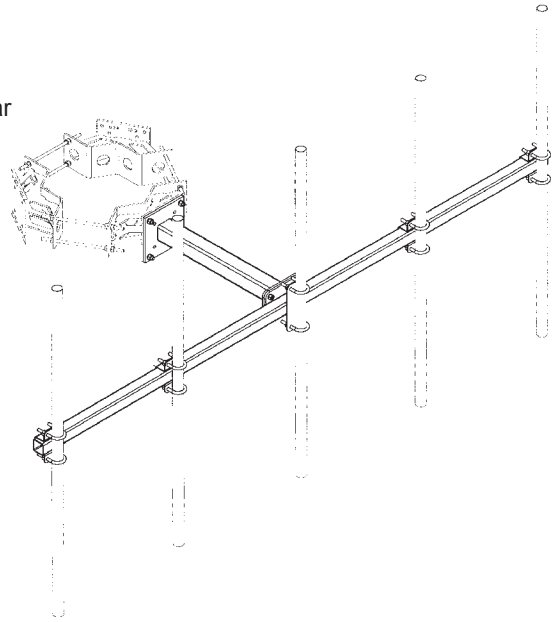
### Antenna Mounting Pipes

Item #	Description	Wt. lb.	Wt. kg.
C10-981-223	2-3/8" OD x 5' (60.33 mm x 1.52 m) Long Mounting Pipe	16.10	7.30
C10-981-206	2-3/8" OD x 6' (60.33 mm x 1.83 m) Long Mounting Pipe	19.30	8.75
C10-981-207	2-3/8" OD x 7' (60.33 mm x 2.13 m) Long Mounting Pipe	22.50	10.21
C10-981-222	2-3/8" OD x 8' (60.33 mm x 2.44 m ) Long Mounting Pipe	25.70	11.66
C10-981-209	2-3/8" OD x 9' (60.33 mm x 2.74 m) Long Mounting Pipe	28.90	13.11
C10-981-210	2-3/8" OD x 10'-6" (60.33 mm x 3.2 m) Long Mounting Pipe	33.70	15.29



## T-Arm Assemblies

Individual T-Arm Assemblies with antenna mounting pipe hardware. Tri-Collar mounts and antenna mounting pipes sold separately.

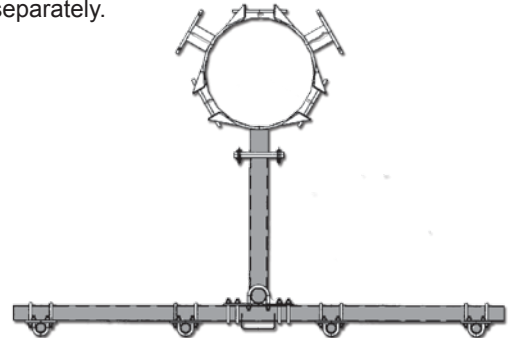


## Square T-Arm Assemblies

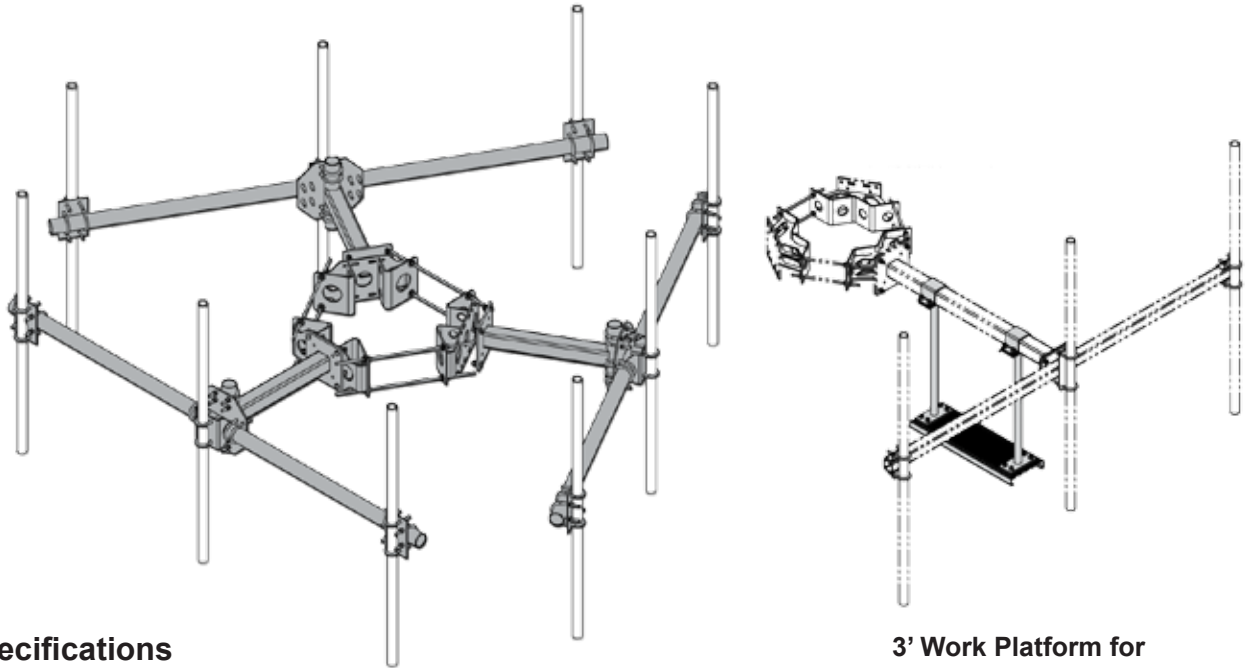
Item #	Description	Wt. lb.	Wt. kg.
C10-113-451	T-Arm Assembly, 3' arm with 4'-6" face and antenna mount pipe hardware	125	56.70
C10-113-452	T-Arm Assembly, 3' arm with 6'-6" faced and antenna mounting pipe hardware	150	68.04
C10-113-453	T-Arm Assembly, 3' arm with 8'-6" face and antenna mounting pipe hardware	164	74.39
C10-113-505	T-Arm Assembly, 3' arm with 10'-6" face and antenna mounting pipe hardware	179	81.19
C10-113-555	T-Arm Assembly, 3' arm with 12'-6" face and antenna mounting pipe hardware	190	86.18

## Round T-Arm Assemblies

Individual Round T-Arm assembly that includes one horizontal frame, 3' standoff and (4) U-Bolt assemblies for 2-3/8" O.D. Antenna Mast Pipe. Antenna Mast Pipe and tri-collar bracket to be ordered separately.



Item #	Description	Wt. lb.	Wt. kg.
C10-166-304	T-Arm Assembly. 3' arm with 4'-0" face and antenna mounting pipe hardware.	173	78.47
C10-166-303	T-Arm Assembly, 3' arm with 8'-0" face and antenna mounting pipe hardware	229	103.87
C10-166-302	T-Arm Assembly, 3' arm with 10'-0" face antenna mounting pipe hardware	244.8	111.04
C10-166-301	T-Arm Assembly, 3' arm with 12'-0" face and antenna mounting pipe hardware	260.5	118.16



## Design Specifications

Meets the latest revision of ANSI/TIA-222 Codes  
 (4) 8' x 1' (2.44 m x 304.8 mm) Panels at 200' (60.96 m)  
 110 mph (193.12 kph) Basic Wind Speed  
 Dead Load 500 lbs (226.8 kg)  
 Live Load 250 lbs (113.4 kg)

**3' Work Platform for Round Member T-Arms  
 (10' Work Platform also available)**

## Round Member T-Arms

Designed to accommodate multiple face widths and antenna configurations. Each kit includes three (3) T-Arm Assemblies and the appropriate Tri-Collar Bracket along with Antenna Mounting Pipe Hardware. (Mounting Pipes sold separately at the bottom of this page). Also available in 5' (1.52 m) Standoff Lengths and single units.

### 3' (914.4 m) Standoff Length

Item #	Description	Wt. lb.	Wt. kg.
C10-859-304	4' (1.22 m) Face, 3' (914.4 mm) Standoff for 2/3 Mounting Pipes for 10" - 40" (254 mm - 1.02 m) Poles	693.20	314.43
C10-859-340	4' (1.22 m) Face, 3' (914.4 mm) Standoff for 2/3 Mounting Pipes for 40" - 60" (1.02 m - 1.52 m) Poles	857.50	388.96
C10-859-303	8' (2.44 m) Face, 3' (914.4 mm) Standoff for 4/5 Mounting Pipes for 10" - 40" (254 mm - 1.02 m) Poles	858.20	389.27
C10-859-330	8' (2.44 m) Face, 3' (914.4 mm) Standoff for 4/5 Mounting Pipes for 40" - 60" (1.02 m - 1.52 m) Poles	1022.5	463.80
C10-859-302	10' (3.05 m) Face, 3' (914.4 mm) Standoff for 4/5 Mounting Pipes for 10" - 40" (254 mm - 1.02 m) Poles	906.20	411.05
C10-859-320	10' (3.05 m) Face, 3' (914.4 mm) Standoff for 4/5 Mounting Pipes for 40" - 60" (1.02 m - 1.52 m) Poles	1070.5	485.57
C10-859-301	12' (3.66 m) Face, 3' (914.4 mm) Standoff for 4/5 Mounting Pipes for 10" - 40" (254 mm - 1.02 m) Poles	954.20	432.82
C10-859-310	12' (3.66 m) Face, 3' (914.4 mm) Standoff for 4/5 Mounting Pipes for 40" - 60" (1.02 m - 1.52 m) Poles	1118.5	507.34

### Work Platforms for Round Member T-Arms (see illustration above)

Item #	Description	Wt. lb.	Wt. kg.
C10-181-013	3' (914.4 mm) Walkway for Standoff Arm	67.00	30.39
C10-181-301	10' (3.05 m) Walkway for T-Arm Face	137.00	62.14

### Antenna Mounting Pipes

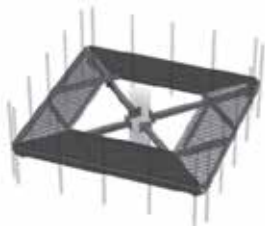
Item #	Description	Wt. lb.	Wt. kg.
C10-981-223	2-3/8" OD x 5' (60.33 mm x 1.52 m) Long Mounting Pipe	16.10	7.30
C10-981-206	2-3/8" OD x 6' (60.33 mm x 1.83 m) Long Mounting Pipe	19.30	8.75
C10-981-207	2-3/8" OD x 7' (60.33 mm x 2.13 m) Long Mounting Pipe	22.50	10.21
C10-981-222	2-3/8" OD x 8' (60.33 mm x 2.44 m ) Long Mounting Pipe	25.70	11.66
C10-981-209	2-3/8" OD x 9' (60.33 mm x 2.74 m) Long Mounting Pipe	28.90	13.11
C10-981-210	2-3/8" OD x 10'-6" (60.33 mm x 3.2 m) Long Mounting Pipe	33.70	15.29

## Antenna Pipes

Grade Sch. 40. Minimum tensile strength 50 Ksi.

Item #	Description	Wt. lb.	Wt. kg.
<b>2-3/8" OD Pipes</b>			
C10-981-202	2-3/8" OD x 2' long (60.33 mm x 609.6 mm)	6.40	2.90
C10-981-203	2-3/8" OD x 3' long (60.33 mm x 914.4 mm)	9.60	4.35
C10-981-204	2-3/8" OD x 4' long (60.33 mm x 1.22 m)	12.80	5.81
C10-981-223	2-3/8" OD x 5' long (60.33 mm x 1.52 m)	16.10	7.30
C10-981-205	2-3/8" OD x 5'-3" long (60.33 mm x 1.62 m)	16.90	7.67
C10-981-206	2-3/8" OD x 6' long (60.33 mm x 1.83 m)	19.30	8.75
C10-981-207	2-3/8" OD x 7' long (60.33 mm x 2.13 m)	22.50	10.21
C10-981-222	2-3/8" OD x 8' long (60.33 mm x 2.44 m)	25.70	11.66
C10-981-208	2-3/8" OD x 8'-6" long (60.33 mm x 2.59 m)	27.30	12.38
C10-981-209	2-3/8" OD x 9' long (60.33 mm x 2.74 m)	28.90	13.11
C10-981-225	2-3/8" OD x 9'-6" long (60.33 mm x 2.93 m)	30.50	13.83
C10-981-210	2-3/8" OD x 10'-6" long (60.33 mm x 3.23 m)	33.70	15.29
C10-981-212	2-3/8" OD x 12' long (60.33 mm x 3.66 m)	38.50	17.46
C10-981-213	2-3/8" OD x 13' long (60.33 mm x 3.96 m)	41.70	18.91
C10-981-214	2-3/8" OD x 14' long (60.33 mm x 4.27 m)	44.90	20.37
C10-981-215	2-3/8" OD x 15' long (60.33 mm x 4.57 m)	48.20	21.86
C10-981-216	2-3/8" OD x 16' long (60.33 mm x 4.88 m)	51.40	23.31
<b>2-7/8" OD Pipes</b>			
C10-901-304	2-7/8" OD x 4' long (73.03 mm x 1.22 m)	24.10	10.93
C10-901-305	2-7/8" OD x 5'-3" long (73.03 mm x 1.62 m)	31.60	14.33
C10-901-307	2-7/8" OD x 7' long (73.03 mm x 2.13 m)	42.20	19.14
C10-901-310	2-7/8" OD x 10'-6" long (73.03 mm x 3.23 m)	63.20	28.67
C10-901-325	2-7/8" OD x 12'-6" long (73.03 mm x 3.81 m)	75.30	34.16
C10-901-314	2-7/8" OD x 14' long (73.03 mm x 4.27 m)	84.30	38.24
C10-901-323	2-7/8" OD x 16'-6" long (73.03 mm x 5.03 m)	99.40	45.09
C10-901-324	2-7/8" OD x 18'-6" long (73.03 mm x 5.64 m)	111.40	50.53
<b>3-1/2" OD Pipes</b>			
C10-981-508	3-1/2" OD x 5'-3" long (88.9 mm x 1.60 m)	33.5	15.2
C10-981-510	3-1/2" OD x 7' long (88.9 mm x 2.14 m)	44.66	20.25
C10-981-512	3-1/2" OD x 8' long (88.9 mm x 2.44 m)	51.04	23.15
C10-981-501	3-1/2" OD x 9' long (88.9 mm x 2.74 m)	57.5	26.08
C10-981-502	3-1/2" OD x 10'-6" long (88.9 mm x 3.23 m)	67.1	30.44
C10-981-503	3-1/2" OD x 14'-6" long (88.9 mm x 4.42 m)	92.6	42
C10-981-504	3-1/2" OD x 16' long (88.9 mm x 4.88 m)	102.2	46.36
<b>4-1/2" OD Pipes Wall .180</b>			
C10-981-403	4-1/2" OD x 3' long (114.3 mm x 914.4 mm)	24.90	11.29
C10-981-404	4-1/2" OD x 4' long (114.3 mm x 1.22 m)	33.30	15.10
C10-981-405	4-1/2" OD x 5'-3" long (114.3 mm x 1.62 m)	43.60	19.78
C10-981-406	4-1/2" OD x 6' long (114.3 mm x 1.83 m)	49.90	22.63
C10-981-407	4-1/2" OD x 7' long (114.3 mm x 2.13 m)	58.20	26.40
C10-981-408	4-1/2" OD x 8' long (114.3 mm x 2.44 m)	70.70	32.07
C10-981-410	4-1/2" OD x 10'-6" long (114.3 mm x 3.23 m)	87.30	39.60
C10-981-423	4-1/2" OD x 12'-6" long (114.3 mm x 3.81 m)	103.90	47.13

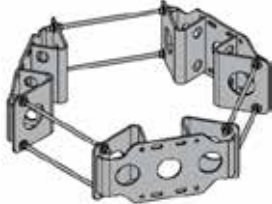




## 12' (3.66 m) Low Profile Square Platform Kit

Used with tapered and nontapered monopoles between 12" - 18" (304.8 mm - 457.2 mm) diameter. (Quad Collar purchased separately below.)

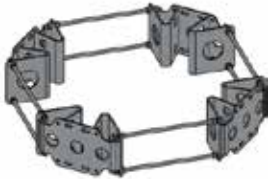
Item #	Description	Wt. lb.	Wt. kg.
C10-109-002	12' (3.66 m) Face Low Profile Square Platform	2082.10	944.42



## Tri-Collar Bracket

Used with Platforms or T-Arms. Universal surface mounting allows for a variety of antenna mounting applications.

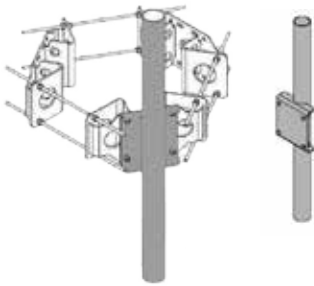
Item #	Description	Wt. lb.	Wt. kg.
C10-112-300	10" - 40" (254 mm - 1.02 m) diameter	172.00	78.02
C10-112-301	12" - 60" (304.8 mm - 1.52 m) diameter	336.00	152.41



## Bi/Quad Collar Bracket

Offers the flexibility to handle either two (2) or four (4) sector arrangements.

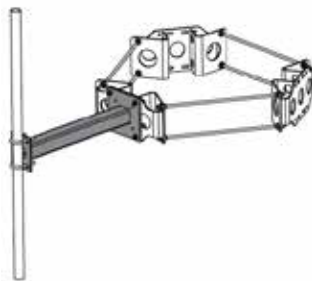
Item #	Description	Wt. lb.	Wt. kg.
C10-110-300	12" - 52" (304.8 mm - 1.32 m)	244.00	110.68



## Monopole Dish Mount

Attaches directly to collar brackets (purchased separately above) and allows for dishes to be flush mounted to poles. Includes a welded on 4-1/2" OD x 5'-3" (114.3 mm x 1.60 m) mounting pipe and all hardware for attachment to collar bracket. Also used to attach T-Booms to monopoles. U-bolts sold separately.

Item #	Description	Wt. lb.	Wt. kg.
C10-899-001	Monopole Dish Mount	80.15	36.36

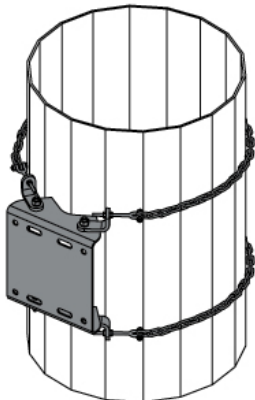


## Standoff Arm

Each arm comes with all hardware required for attachment to the Collar Bracket Assembly. Mount designed to support 2-3/8" OD to 4" OD antenna mast pipe.

(Antenna Mounting Pipes and U-Bolts are sold separately on page 18 and 40.)

Item #	Description	Wt. lb.	Wt. kg.
C10-114-001	1' Standoff Arm (304.8 mm)	38.00	17.24
C10-114-002	2' Standoff Arm (609.6 mm)	51.00	23.13
C10-114-003	3' Standoff Arm (914.4 mm)	64.00	29.03
C10-114-004	4' Standoff Arm (1.22 m)	76.00	34.47
C10-114-005	5' Standoff Arm (1.52 m)	89.00	40.37
C10-114-006	6' Standoff Arm (1.83 m)	102.00	46.27



## Chain Mount

Designed to work on wood or steel (straight/round and tapered/multi-sided) poles from 12" to 36" diameter (304.8 mm - 914.4 mm). Mounting face allows flexibility to handle 2-3/8", 2-7/8" and 4-1/2" OD (60.33 mm, 73.03 mm and 114.3 mm) pipes. (Pipes sold separately on page 18.)

Item #	Description	Wt. lb.	Wt. kg.
C10-120-301	For one (1) Mounting Pipe	39.00	17.69
C10-120-302	For two (2) Mounting Pipes	57.00	25.85
C10-120-303	For three (3) Mounting Pipes	80.00	36.29

## Microwave Tieback Kit for Chain Mounts

This Microwave Tieback Kit is available in a variety of configurations. Designed to work on wood or steel (straight/round and tapered/multi-sided) poles from 12" to 36" (304.8 mm - 914.4 mm) diameter.

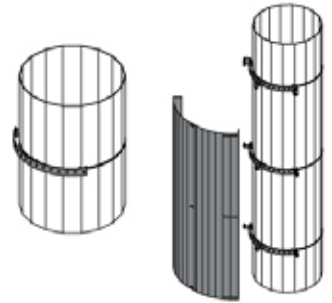
Item #	Description	Wt. lb.	Wt. kg.
C10-120-391	One (1) Kit for Mounting Tieback	36.00	16.33



## Monopole Waveguide Support

Provides a method of attaching 12 runs of transmission line up to 1-5/8" (41.28 mm) diameter on the outside of round or polygonal poles. Covers bolt directly to the band-on brackets. These covers provide protection for the transmission line, as well as, an aesthetically pleasing look. (1/2" (12.7 mm) Banding and Buckles ordered separately - page 21)

Item #	Description	Wt. lb.	Wt. kg.
C20-180-010	Base Unit with Cover - 8' (2.44 m) long for 18" (457.2 mm) and larger OD poles	80.00	36.29
C20-180-020	Additional Unit with Cover - 8' (2.44 m) long for 18" (457.2 mm) and larger OD poles	75.00	34.02
C20-180-030	Additional Unit without Cover - 10' (3.05 m) long for 12" (304.8 mm) and larger OD poles	14.80	6.71



## Monopole Coax Support Bracket

Secures four (4) runs of transmission line to monopoles using 3/4" (19.05 mm) banding below.

Item #	Description	Wt. lb.	Wt. kg.
C20-180-100	Monopole Coax Support Kit	1.05	0.48



## Cluster Support Bracket

The Cluster Support Bracket is versatile means to support multiple runs of corrugated cable in virtually any application. The oval design allows corrugated cable to be run inside and outside of the bracket, which maximizes its capacity. Each bracket features 3/4" holes to accommodate Snap-In Hangers and 3/8" holes for Butterfly Hangers using standard 3/8" hardware. The Cluster Support Bracket supports seven runs of corrugated cable. Sold in units of one, U-bolt hardware sold separately on page 40.

Item #	Description	Qty
D18930	Cluster Support Bracket for Seven Lines (hardware not included)	Each
D18931	Cluster Support Bracket for Seven Lines with U-bolt for 2-3/8" round member attachment	Each



## Snap-In Adapter Bracket

The Snap-In Adapter Bracket is used in conjunction with banding and is used on large round members, water towers, or outside of a monopole. You can use multiple brackets for the number of runs required for your system. The galvanized steel bracket supports both Standard Hangers and Snap-In Hangers.

Item #	Description	Qty
D19110	Universal Round Member Support Bracket for Six Lines of Coax	10
D19115	Universal Round Member Support Bracket for Nine Lines of Coax	10





## Stainless Steel Banding

The Type 201 Stainless Steel Banding is 1/2" or 3/4" wide x 100' long. It is used for securing Coax and Transmission Line Brackets to large diameter Round Members.

Item #	Description	QTY
D19900	1/2" x 100' SS Banding	Each
D19910	3/4" x 100' SS Banding	Each



## Buckles

Buckles are used to secure the D19900 Banding. 20 per package.

Item #	Description	QTY
D19899	Buckles for 1/2" Wide Banding	20



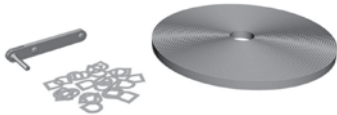
## Tensioning Tool

Tensioning Tool is required for For Band Widths 3/16" to 3/4". Tension Capacity 2400# Blue epoxy powder coated, Built in cutter, Spring loaded

Item #	Description	QTY
D19898	Tensioning Tool for Banding	Each

## Wraplock Kit

The Wraplock Kit provides multipurpose strapping that conforms to any shape. The strapping is 1/2" wide x 100' long and is furnished with 100 fasteners and an installation wrench. Stainless steel.



Item #	Description	QTY
D19890	Wraplock Kit	Each

## Galvanized Steel Step Bolt Assembly: Standard Step Bolt

All parts are galvanized in accordance with ASTM A153. Each assembly includes one (1) ASTM A394 Type O Step Bolt and two (2) Hex Nuts.



Item #	Description	Wt. lb.	Wt. kg.
C40-044-001	5/8" diameter x 6 - 1/2" long, 2-1/2" thread length (15.88 mm x 165.1 mm, 63.5 mm)	0.50	0.23
C40-044-002	5/8" diameter x 7" long, 1-3/4" thread length (15.88 mm x 177.80 mm, 44.45 mm)	1.00	0.45

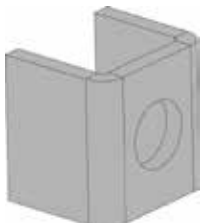
## New Product



## New Step Bolt Anchor Brackets

Provides a PPE Lanyard Attachment for 100% Tie-off. 3600 lb. Engineered Anchorage Certification Testing Available for Retrofit Applications. 5000 lb. Safety Load Anchorage for Fall Protection

Item #	Description
C40-044-SB45	45 Degree Formed Step Bolt Anchor Bracket
C40-044-SB90SET	90 Degree Formed Step Bolt Anchor Bracket Set, Includes (1) Left Bracket & (1) Right Bracket each
C40-044-SBFL	Flat Step Bolt Anchor Bracket

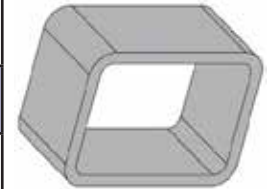


## Step Bolt Clip, Black Steel

Item #	Description	Wt. lb.	Wt. kg.
TWS00081	For 5/8" Step Bolts (15.88 mm)	0.30	0.14

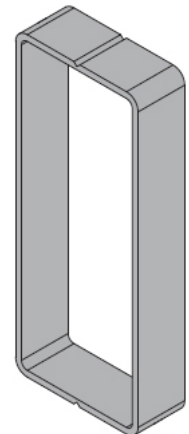
## Access Ports, Black Steel: Type 1 Welded ASTM A500 Grade C 50 ksi mys

Item #	Description	Wt. lb.	Wt. kg.
C30-138-020	Access Port 4" x 4" x 1/2" x 3-1/2" (101.6 mm x 101.6 mm x 12.7 mm x 88.9 mm) (pole wall thickness 3/16" - 3/8" (4.76 mm - 9.53 mm))	6.30	2.86
C30-138-016	Access Port 4" x 8" x 1/2" x 3-1/2" (101.6 mm x 203.2 mm x 12.7 mm x 88.9 mm) (pole wall thickness 3/16" - 3/8" (4.76 mm - 9.53 mm))	10.30	4.67
C30-138-019	Access Port 6" x 8" x 5/8" x 3-1/2" (152.4 mm x 203.2 mm x 15.88 mm x 88.9 mm) (pole wall thickness 3/16" - 1/2" (4.76 mm - 12.7 mm))	12.30	5.58
C30-138-001	Access Port 6" x 12" x 5/8" x 3-1/2" (152.4 mm x 304.8 mm x 15.88 mm x 88.9 mm) (pole wall thickness 3/16" - 1/2" (4.76 mm - 12.7 mm))	19.80	8.98
C30-138-002	Access Port 6" x 12" x 5/8" x 4-1/4" (152.4 mm x 304.8 mm x 15.88 mm x 107.95 mm) (pole wall thickness 9/16" - 5/8" (14.29 mm - 15.88 mm))	24.00	10.89
C30-138-018	Access Port 8" x 8" x 5/8" x 3-1/2" (203.2 mm x 203.2 mm x 15.88 mm x 88.9 mm) (pole wall thickness 3/16" - 1/2" (4.76 mm - 12.7 mm))	17.30	7.85
C30-138-003	Access Port 8" x 12" x 5/8" x 3-1/2" (203.2 mm x 304.8 mm x 15.88 mm x 88.9 mm) (pole wall thickness 3/16" - 1/2" (4.76 mm - 12.7 mm))	22.30	10.11
C30-138-004	Access Port 8" x 12" x 5/8" x 4-1/4" (203.2 mm x 304.8 mm x 15.88 mm x 107.95 mm) (pole wall thickness 9/16" - 5/8" (14.29 mm - 15.88 mm))	27.00	12.25
C30-138-021	Access Port 12" x 12" x 5/8" x 5" (304.8 mm x 304.8 mm x 15.88 mm x 127 mm) (pole wall thickness 3/16" x 1/2" (4.76 mm - 12.7 mm))	39.50	17.92



## Access Ports, Black Steel: Type 2 Welded ASTM A572 Grade 65 ksi mys

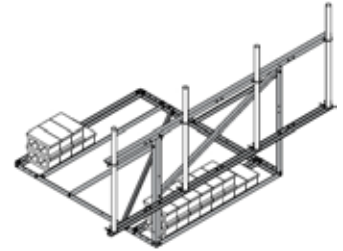
Item #	Description	Wt. lb.	Wt. kg.
C30-138-017	Access Port 9" x 18" x 5/8" x 4" (228.6 mm x 457.2 mm x 15.88 mm x 101.6 mm) (pole wall thickness 3/16" - 1/2" (4.76 mm - 12.7 mm))	34.60	15.69
C30-138-012	Access Port 10" x 12" x 5/8" x 4" (254 mm x 304.8 mm x 15.88 mm x 101.6 mm) (pole wall thickness 3/16" x 1/2" (4.76 mm - 12.7 mm))	28.20	12.79
C30-138-013	Access Port 10" x 16" x 5/8" x 4" (254 mm x 406.4 mm x 15.88 mm x 101.6 mm) (pole wall thickness 3/16" x 1/2" (4.76 mm - 12.7 mm))	33.90	15.38
C30-138-005	Access Port 10-1/2" x 25-1/2" x 3/4" x 4" (266.7 mm x 647.7 mm x 19.05 mm x 101.6 mm) (pole wall thickness 5/8" - 3/4" (15.88 mm - 19.05 mm))	55.90	25.36
C30-138-006	Exit Port Rim 10-1/2" x 25-1/2" x 1" x 4" (266.7 mm x 647.7 mm x 25.4 mm x 101.6 mm) (pole wall thickness 5/8" - 3/4" (15.88 mm - 19.05 mm))	73.70	33.43
C30-138-008	Exit Port Rim 10-1/2" x 25-1/2" x 1" x 6" (266.7 mm x 647.7 mm x 25.4 mm x 152.4 mm) (pole wall thickness 1" (25.4 mm))	110.50	50.12
C30-138-009	Access Port 11-1/2" x 31-1/2" x 3/4" x 4" (292.1 mm x 800.1 mm x 19.05 mm x 101.6 mm) (pole wall thickness 3/16" - 9/16" (4.76 mm - 14.22 mm))	67.80	30.75
C30-138-011	Access Port 6" x 18" x 5/8" x 4" (152.4 mm x 457.2 mm x 15.88 mm x 101.6 mm) (pole wall thickness 3/16" - 1/2" (4.76 mm - 12.7 mm))	31.10	14.11
C30-138-015	Access Port 12" x 18" x 5/8" x 4" (304.8 mm x 457.2 mm x 15.88 mm x 101.6 mm) (pole wall thickness 3/16" x 1/2" (15.88 mm - 19.05 mm))	42.40	19.23
C30-138-014	Access Port 12" x 24" x 1" x 4" (304.8 mm x 609.6 mm x 25.4 mm x 101.6 mm) (pole wall thickness 5/8" x 3/4" (15.88 mm - 19.05 mm))	73.70	33.43
C30-138-010	Access Port 18" x 34" x 1-1/4" x 6" (457.2 mm x 863.6 mm x 31.75 mm x 152.4 mm) (pole wall thickness 5/8" x 3/4" (15.88 mm - 19.05 mm))	189.90	86.14
C10-138-007	Kellum Hook: Material Grade ASTM A 35 or Equal	0.40	0.18



## Non-Penetrating Rooftop Sector Frame

Allows use of 2-3/8" or 2-7/8" OD (60.33 mm or 73.03 mm) Antenna mounting pipes (sold separately - refer to page 18). Kit includes U-Bolts for four (4) antenna mast pipes.

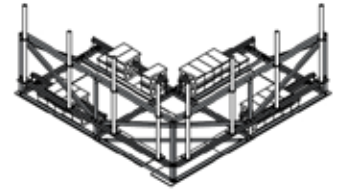
Item #	Description	Wt. lb.	Wt. kg.
C10-223-201	7' (2.13 m) Face Sector Roof Mount - 7' (2.13 m) Maximum Face Width	342.00	155.13
C10-223-110	10' (3.05 m) Face Sector Roof Mount - 10' (3.05 m) Maximum Face Width	369.00	167.38
C10-223-102	12' (3.66 m) Face Sector Roof Mount - 12' (3.66 m) Maximum Face Width	386.00	175.09



## 10' Face Corner Roof Mount

Mounts are non-penetrating and allow installation of antennas for two sectors. Includes rubber mats for added rooftop protection, and a ballast tie-down kit capable of holding down a single layer of solid blocks or a single or double layer of hollow-core blocks. Face Corner Roof Mounts allow use of 2-3/8" or 2-7/8" OD (60.33 mm or 73.03 mm) Antenna Mounting Pipes. (Concrete blocks must be purchased separately.)

Item #	Description	Wt. lb.	Wt. kg.
C10-224-001	10' (3.05 m) Face Corner Roof Mount - 10' (3.05 m) Maximum Face Width 8 Antennas Max (4 Each Face) - 3'-4" (1.01 m) Minimum Antenna Separation. Antenna mounting pipes and U-Bolts not included	907.00	411.41



## Water Tank & Tri-Sector Roof Mount

Perfect solution for mounting three sectors of wireless antennas. Kit includes U-Bolts for a total of four 2-3/8" OD antenna mounting pipes to be assembled per face. Antenna mounting pipes sold separately (refer to page 18).

Item #	Description	Wt. lb.	Wt. kg.
C10-301-002	14' (4.27 m) Face Tri-Sector Roof Mount - 10' (3.05 m) Maximum Face Width (12) U-Bolt Assemblies included	940.00	426.00



## Water Tank Sector Mount

Adapts to a domed or sloped roof and allows up to five 2-3/8" OD or 2-7/8" OD antenna mounting pipes to be installed per face. Pipes and U-Bolts purchased separately please refer to page 18 and 40.

Item #	Description	Wt. lb.	Wt. kg.
C10-302-001	Water Tank Sector Mount, 10' (3.05 m) Face. (Roof attachment hardware not provided)	249.00	112.94
C10-302-011	Water Tank Sector Mount, 12' (3.66 m) Face. (Roof attachment hardware not provided)	270.00	122.47



## Water Tank Tripod

Attaches to a domed or angled roof. Pipe hardware included.

Item #	Description	Wt. lb.	Wt. kg.
C10-301-011	Water Tank Tripod with 2-3/8" OD x 8' (60.33 mm x 2.44 m) Mounting Pipe included. (Roof attachment hardware not provided)	98.00	44.45







**Non-Penetrating Tripod Mount**

Designed to be flexible in antenna mounting height. Accommodates 2-3/8" and 2-7/8" OD (60.33 mm and 73.03 mm) pipe in lengths up to 10' (3.05 m). (Mounting Pipe sold separately on page 18) (Rubber mats sold separately on page 26.)

Item #	Description	Wt. lb.	Wt. kg.
C10-222-001	Tripod Roof Mount with Ballast Frame	271.00	122.92



**Heavy Duty Tripod Mount**

A penetrating tripod designed to attach to the roof of a building. It can be used with ballast frame, P/N C10-220-010 (sold separately below) to provide a non-penetrating roof mount. Concrete block is added to provide ballast for the mount. (Rubber mats sold separately on page 26.) Block not included. P/N C10-221-002.

Item #	Description	Wt. lb.	Wt. kg.
C10-221-001	Tripod Roof Mount - 4-1/2" OD x 7'-6" long Mounting Pipe	179.00	81.19
C10-221-002	Tripod Roof Mount - 2-7/8" OD x 10'-6" long Mounting Pipe	75.00	34.02
C40-102-001	Tri-Pod Galvanized Hardware kit.	8.00	3.63



**Non-Penetrating Ballast Frame**

Can be used with tripod P/N C10-221-001 (sold separately above) to provide a non-penetrating roof mount. Concrete block is added to provide ballast for the mount. (Rubber mats sold separately on page 26.) Block not included.

Item #	Description	Wt. lb.	Wt. kg.
C10-220-010	Non-Penetrating Ballast Frame	338.00	153.31
C40-023-003	Tri-Pod Stainless Steel Hardware kit.	1.06	0.48



**3' x 3' Quad Pod Roof Mount**

A roof mounted frame which can be used with concrete block to support antennas up to a 2' (609.6 mm) dish. The base is 3' x 3' (0.91 m x 0.91 m) and will hold 8 blocks. The Pipe is 1.9" (48.26 mm) and is 5' (1.52 m) tall. (Rubber mats sold separately on page 26.) Block not included.

Item #	Description	Wt. lb.	Wt. kg.
C10-222-101	Quad Pod Mount with Ballast Frame and Mounting Pipe, 3' x 3' (0.91 m x 0.91 m)	39.00	17.69

## Dual Wall Mount

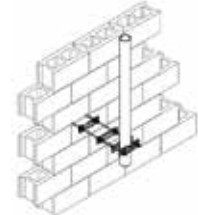
Accepts either a 2-3/8", 2-7/8", or 4-1/2" OD (60.33 mm, 73.03 mm, or 114.3 mm) Mounting Pipe, allowing every application to be customized. (Antenna Mounting Pipes, U-Bolts and hardware for attachment to solid or hollow walls must be purchased separately)



Item #	Description	Wt. lb.	Wt. kg.
C10-201-001	Dual Wall Mount	54.00	24.49
C40-023-002	Wall Mount Hardware kit	0.43	0.19

## Universal Wall Mount

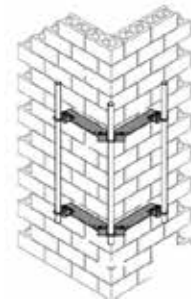
Fits pipes from 1-1/2" to 5" OD (38.1 mm to 127 mm) and a wall up to 1'-1" (330.2 mm) thick.



Item #	Description	Wt. lb.	Wt. kg.
C10-201-101	Universal Wall Mount - Through Wall	15.00	6.80
C40-023-002	Wall Mount Hardware kit	0.43	0.19

## Corner Wall Mount

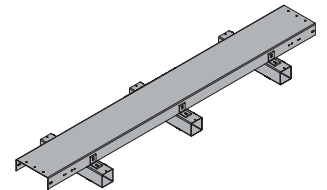
Enables one to three wireless antennas to be mounted to a building wall. It accepts 2-3/8", 2-7/8" & 4-1/2" OD Antenna Mounting Pipes. (Antenna Mounting Pipes, U-Bolts and hardware for attachment to solid or hollow walls must be purchased separately)



Item #	Description	Wt. lb.	Wt. kg.
C10-202-001	Corner Wall Mount	149.30	67.72
C40-023-002	Wall Mount Hardware kit		

## Rooftop Bridge Kit

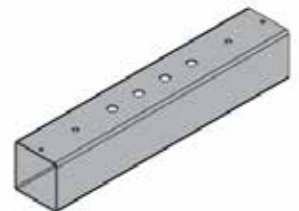
Designed to provide support and protection for horizontal runs of transmission line, this product supports coax transmission lines on three (3) PVC sleepers and protects the coax from damage with an 8' (2.44 m) long steel cover. Snap-In brackets can be purchased separately, please refer to our Installation Materials catalog or contact us for assistance.



Item #	Description	Wt. lb.	Wt. kg.
C20-161-001	Four Coax Lines 1/2" - 1-5/8" (12.7 mm - 41.28 mm) cover - 11-1/2" (292.1 mm) sleeper - 22" (558.8 mm)	74.00	33.57
C20-161-002	Eight Coax Lines 1/2" - 1-5/8" (12.7 mm - 41.28 mm) cover - 21-1/2" (546.1 mm) sleeper - 31-7/8" (809.63 mm)	110.00	49.90
C20-161-003	Twelve Coax Lines 1/2" - 1-5/8" (12.7 mm - 41.28 mm) cover - 33" (838.2 mm) sleeper - 43-3/8" (1.1 m)	149.00	67.59

## Rooftop Bridge Sleeper

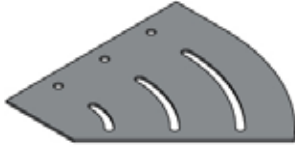
Sleepers are furnished with 3/4" (19.05 mm) diameter holes to accommodate Snap-In Hangers. They are made of 4" x 4" (101.6 mm x 101.6 mm) PVC material and come in 22", 31-7/8" and 43-3/8" (558.8 mm, 809.63 mm and 1.1 m) long pieces.



Item #	Description	Wt. lb.	Wt. kg.
C20-165-002	Four Coax Lines 1/2" - 1-5/8" (12.7 mm - 41.28 mm)	2.00	0.91
C20-165-004	Eight Coax Lines 1/2" - 1-5/8" (12.7 mm - 41.28 mm)	2.80	1.27
C20-165-006	Twelve Coax Lines 1/2" - 1-5/8" (12.7 mm - 41.28 mm)	3.80	1.72

**Rooftop Bridge Adjustable Splice Kits (0° - 45°)**

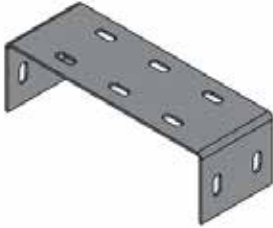
Allows Rooftop Bridge Kits 0° - 45° interconnection. Installation hardware is included.



Item #	Description	Wt. lb.	Wt. kg.
C20-163-001	Four Coax Lines 1/2" – 1-5/8" (12.7 mm - 41.28 mm)	5.10	2.31
C20-163-002	Eight Coax Lines 1/2" – 1-5/8" (12.7 mm - 41.28 mm)	10.90	4.94
C20-163-003	Twelve Coax Lines 1/2" – 1-5/8" (12.7 mm - 41.28 mm)	19.60	8.89

**Rooftop Bridge Straight Splice Kit**

Allows Rooftop Bridge Kits to be connected in-line with straight splices. Installation hardware is included.



Item #	Description	Wt. lb.	Wt. kg.
C20-162-001	Four Coax Lines 1/2" – 1-5/8" (12.7 mm - 41.28 mm)	4.40	2.00
C20-162-002	Eight Coax Lines 1/2" – 1-5/8" (12.7 mm - 41.28 mm)	5.80	2.63
C20-162-003	Twelve Coax Lines 1/2" – 1-5/8" (12.7 mm - 41.28 mm)	7.30	3.31

**Rubber Mat**

Protects the rooftop surface from damage, and prevents shifting or sliding due to vibration.



Item #	Description	Wt. lb.	Wt. kg.
C10-226-001	1/2" x 18" x 48" Rubber Mat (12.7 mm x 457.2 mm x 1.22 m)	14.00	6.35
C20-159-002	1/4" x 4" x 10' Roll for Sleepers (6.35 mm x 101.6 mm x 3.05 m)	6.97	3.16

**Uni-Strut**

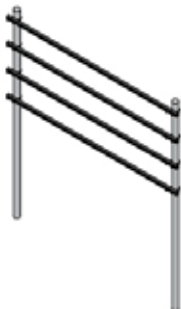
Used to attach equipment that is 1-5/8" x 1-5/8" x 10' long (41.28 mm x 41.28 mm x 3.05 m).



Item #	Description	Wt. lb.	Wt. kg.
XV-5037	Slotted Uni-Strut 1-5/8" x 1-5/8" x 10'	19.25	8.73
XV-5038	Slotted Uni-Strut 1-5/8" x 1-5/8" x 10', 12GA HDG	22.15	10.05

**Equipment Rack**

This 10' (3.05 m) long equipment rack utilizes 3-1/2" OD x 10'- 6" (88.9 mm x 3.2 m) pipe designed for direct burial. Hardware included.



Item #	Description	Wt. lb.	Wt. kg.
C10-921-001	Equipment Rack	225.00	102.06

## Steel Cable Tray (UL Listed)

Our steel cable tray systems provide an efficient method of guiding, supporting and protecting cable runs. These systems work perfectly on gravel, concrete, or any kind of rooftop surfaces. Each piece and fitting has a rail height of 5" which allows for a 4" loading capacity. The standard widths are 12", 18", and 24". Additional widths are also available. The bends and risers have a 24" radius to accommodate the most common sizes of cable (other radii are also available). Each individual piece is heavy duty and user friendly for ease of handling. Various turns, bends, risers and reducers are available to guide a cable run precisely where it needs to go and also make the run visually pleasing. Custom shapes or bends are available upon request. All steel cable tray items are UL listed and hot dip galvanized.

### Straight Pieces - Steel Cable Tray (UL Listed)

Components shown have a 4" (101.6 mm) depth.

Item #	Description	Wt. lb.	Wt. kg.
DLT-124D	12" wide x 10' long (304.8 mm x 3.05 m) straight piece	37.03	16.80
DLT-184D	18" wide x 10' long (457.2 mm x 3.05 m) straight piece	39.74	18.03
DLT-244D	24" wide x 10' long (609.6 mm x 3.05 m) straight piece	42.45	19.25
Covers for Straight Pieces			
Item #	Description	Wt. lb.	Wt. kg.
DLT-C12	Cover for 12" wide x 10' long (304.8 mm x 3.05 m) straight piece	17.09	7.75
DLT-C18	Cover for 18" wide x 10' long (457.2 mm x 3.05 m) straight piece	24.86	11.28
DLT-C24	Cover for 24" wide x 10' long (609.6 mm x 3.05 m) straight piece	32.63	14.80



### 90° Horizontal Bend - 24" Radius - Steel Cable Tray (UL Listed)

Components shown have a 4" (101.6 mm) depth.

Item #	Description	Wt. lb.	Wt. kg.
DLT-90124D	90° bend, 12" wide (304.8 mm)	13.42	6.09
DLT-90184D	90° bend, 18" wide (457.2 mm)	16.56	7.51
DLT-90244D	90° bend, 24" wide (609.6 mm)	19.16	8.69
Covers for 90° Bends			
Item #	Description	Wt. lb.	Wt. kg.
DLT-C9012	Cover for 90° bend, 12" wide (304.8 mm)	6.77	3.07
DLT-C9018	Cover for 90° bend, 18" wide (457.2 mm)	10.88	4.94
DLT-C9024	Cover for 90° bend, 24" wide (609.6 mm)	15.54	7.05



### 45° Horizontal Bend - 24" Radius - Steel Cable Tray (UL Listed)

Components shown have a 4" (101.6 mm) depth.

Item #	Description	Wt. lb.	Wt. kg.
DLT-45124D	45° bend, 12" wide (304.8 mm)	8.31	3.77
DLT-45184D	45° bend, 18" wide (457.2 mm)	9.74	4.42
DLT-45244D	45° bend, 24" wide (609.6 mm)	11.18	5.07
Covers for 45° Bends			
Item #	Description	Wt. lb.	Wt. kg.
DLT-C4512	Cover for 45° bend, 12" wide (304.8 mm)	3.88	1.76
DLT-C4518	Cover for 45° bend, 18" wide (457.2 mm)	6.16	2.80
DLT-C4524	Cover for 45° bend, 24" wide (609.6 mm)	8.73	3.96





**Universal Degree Inside or Outside Vertical Elbow - Steel Cable Tray (UL Listed)** Components shown have a 4" (101.6 mm) depth.

Item #	Description	Wt. lb.	Wt. kg.
DLT-VB12	90° Elbow, 12" wide (304.8 mm)	3.41	1.55
DLT-VB18	90° Elbow, 18" wide (457.2 mm)	4.03	1.83
DLT-VB24	90° Elbow, 24" wide (609.6 mm)	4.64	2.10
Covers for Inside or Outside Vertical Elbow - Universal Radius			
Item #	Description	Wt. lb.	Wt. kg.
DLT-CVB12	Cover for 90° Elbow, 12" wide (304.8 mm)	2.07	0.94
DLT-CVB18	Cover for 90° Elbow, 18" wide (457.2 mm)	3.01	1.37
DLT-CVB24	Cover for 90° Elbow, 24" wide (609.6 mm)	3.95	1.79

**Horizontal Tee - Steel Cable Tray (UL Listed)**

Components shown have a 4" (101.6 mm) depth.



Item #	Description	Wt. lb.	Wt. kg.
DLT-HT12	Horizontal Tee, 12" wide (304.8 mm)	20.55	9.32
DLT-HT18	Horizontal Tee, 18" wide (457.2 mm)	23.23	10.54
DLT-HT24	Horizontal Tee, 24" wide (609.6 mm)	25.91	11.75
Covers for Horizontal Tees			
Item #	Description	Wt. lb.	Wt. kg.
DLT-CHT12	Cover for Horizontal Tee, 12" wide (304.8 mm)	14.17	6.43
DLT-CHT18	Cover for Horizontal Tee, 18" wide (457.2 mm)	20.93	9.50
DLT-CHT24	Cover for Horizontal Tee, 24" wide (609.6 mm)	28.38	12.87

**Horizontal Cross - Steel Cable Tray (UL Listed)**

Components shown have a 4" (101.6 mm) depth.



Item #	Description	Wt. lb.	Wt. kg.
DLT-HX12	Horizontal Cross, 12" wide (304.8 mm)	25.11	11.39
DLT-HX18	Horizontal Cross, 18" wide (457.2 mm)	27.85	12.63
DLT-HX24	Horizontal Cross, 24" wide (609.6 mm)	30.86	14.00
Covers for Horizontal Cross			
Item #	Description	Wt. lb.	Wt. kg.
DLT-CHX12	Cover for Horizontal Cross, 12" wide (304.8 mm)	20.04	9.09
DLT-CHX18	Cover for Horizontal Cross, 18" wide (457.2 mm)	28.43	12.90
DLT-CHX24	Cover for Horizontal Cross, 24" wide (609.6 mm)	37.54	17.03

**Cable Tray Splice Kits - Steel Cable Tray (UL Listed)**

Components shown have a 4" (101.6 mm) depth. Bolts and nut set included.



Item #	Description	Wt. lb.	Wt. kg.
DLT-VS4D	Adjustable Vertical Splice	2.00	0.91
DLT-SS4D	Standard Straight Splice	1.00	0.45

## BTS Platform

Build-to-Suit (BTS) Platforms come in modular sizes from 2' x 4' (609.6 mm x 1.22 m) thru 8' x 8' (2.44 m x 2.44 m). This modular system allows all sizes from the above in 1' (304.8 mm) increments. Multiple units can be added together to make sizes larger than 8' x 8' (2.44 m x 2.44 m).

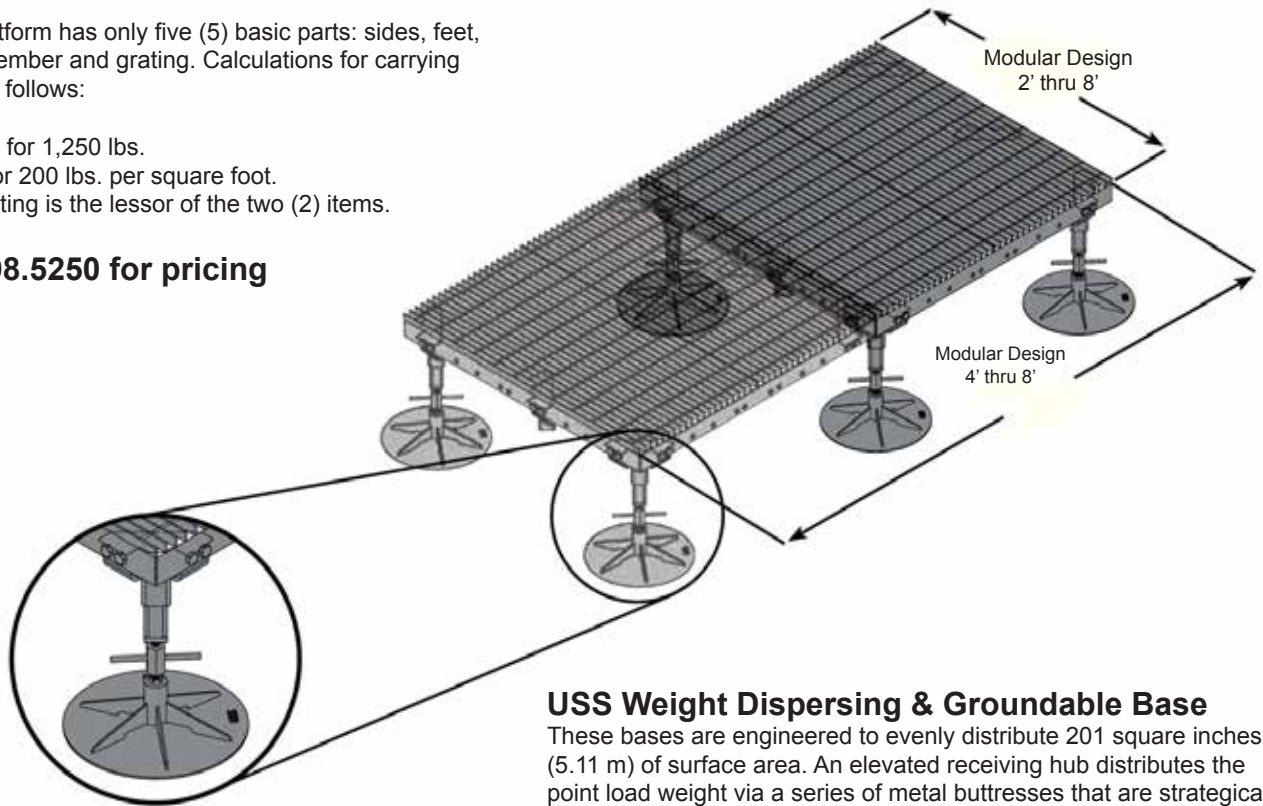
This simple platform has only five (5) basic parts: sides, feet, corner, crossmember and grating. Calculations for carrying capacity are as follows:

Each foot rated for 1,250 lbs.

Grating rated for 200 lbs. per square foot.

The platform rating is the lesser of the two (2) items.

**Call 337.598.5250 for pricing**



## USS Weight Dispersing & Groundable Base

These bases are engineered to evenly distribute 201 square inches (5.11 m) of surface area. An elevated receiving hub distributes the point load weight via a series of metal buttresses that are strategically positioned to a 1/4" (6.35 mm) thick circular steel plate.

- Requires less base assemblies per platform than others
- Virtually eliminates cutting holes into roof system

## Universal Equipment Platform Kit

Designed to meet industry specifications, this platform will work with the majority of rooftop or land-engineered planned applications regardless of structural challenges.

- Fully-connected structural 8" x 18 lb. (203.2 mm x 8.16 kg) I-beam frame construction
- Expandable in 2' or 4' (609.6 mm or 1.22 m) increments up to 10' x 24' (3.05 m x 7.32 m) platform
- Interchangeable handrail and ladder sections allow various positioning for access and egress to equipment
- Design firms can integrate platform into plans by specifying the platform kit in combination with the required support structure
- Saves costs and lead times associated with custom designed platforms
- Quick assembly — no welding, drilling or special tools required

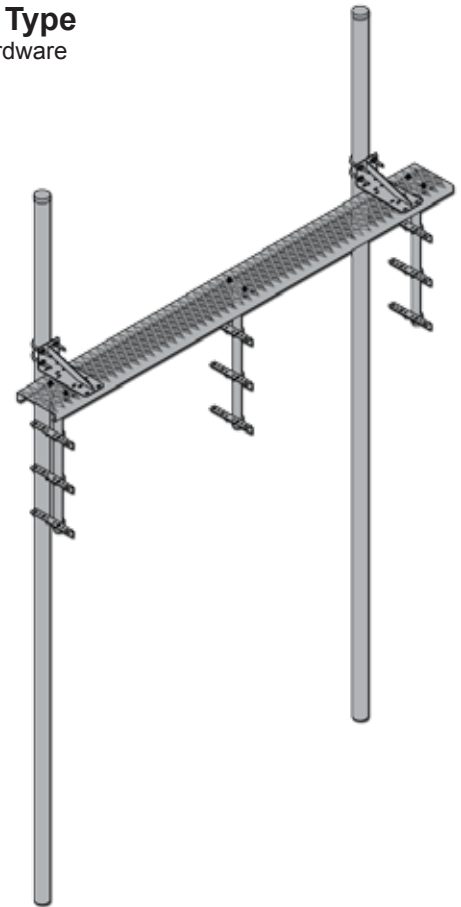
**Call 337.598.5250 for pricing**



## Waveguide Bridge, 1' Wide (15'-4" & 18' Two Post) - Direct Burial Type

Each kit includes Grip Strut Channel, General Support Brackets, Posts, Pipe Caps and all hardware required for installation.

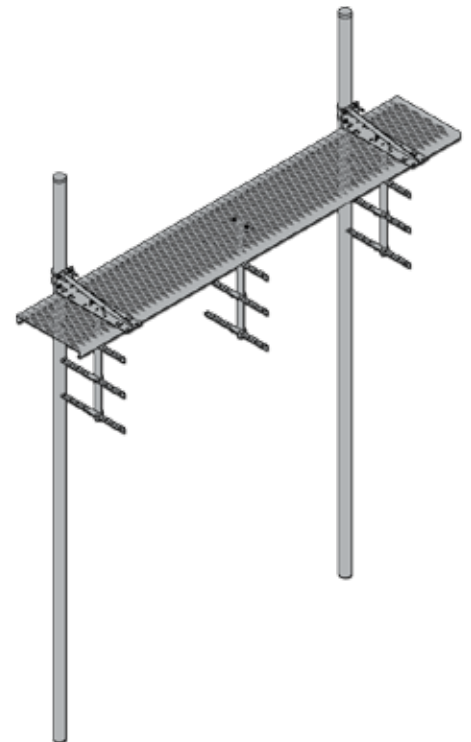
Part #	Description	lb.
<b>15'-4" x 3-1/2" OD (4.67 m x 88.9 mm) Pipe Post (10' (3.05 m) max bridge height)</b>		
C20-135-051	1' x 10' (304.8 mm x 3.05 m) Waveguide Bridge NO Trapeze	262.60
C20-135-054	1' x 10' (304.8 mm x 3.05 m) Waveguide Bridge & (3) 1 Level Trapeze 6 Snap-In or 4 Butterfly Capacity	271.60
C20-135-057	1' x 10' (304.8 mm x 3.05 m) Waveguide Bridge & (3) 2 Level Trapeze 12 Snap-In or 8 Butterfly Capacity	280.30
C20-135-060	1' x 10' (304.8 mm x 3.05 m) Waveguide Bridge & (3) 3 Level Trapeze 18 Snap-In or 12 Butterfly Capacity	286.60
<b>18' x 3-1/2" OD (5.49 m x 88.9 mm) Pipe Post (13' (3.96 m) max bridge height)</b>		
C20-135-001	1' x 10' (304.8 mm x 3.05 m) Waveguide Bridge NO Trapeze	296.60
C20-135-004	1' x 10' (304.8 mm x 3.05 m) Waveguide Bridge & (3) 1 Level Trapeze 6 Snap-In or 4 Butterfly Capacity	305.60
C20-135-007	1' x 10' (304.8 mm x 3.05 m) Waveguide Bridge & (3) 2 Level Trapeze 12 Snap-In or 8 Butterfly Capacity	314.30
C20-135-010	1' x 10' (304.8 mm x 3.05 m) Waveguide Bridge & (3) 3 Level Trapeze 18 Snap-In or 12 Butterfly Capacity	320.60



## Waveguide Bridge, 2' Wide (15'-4" & 18' Two Post) - Direct Burial Type

Each kit includes Grip Strut Channel, General Support Brackets, Posts, Pipe Caps and all hardware required for installation.

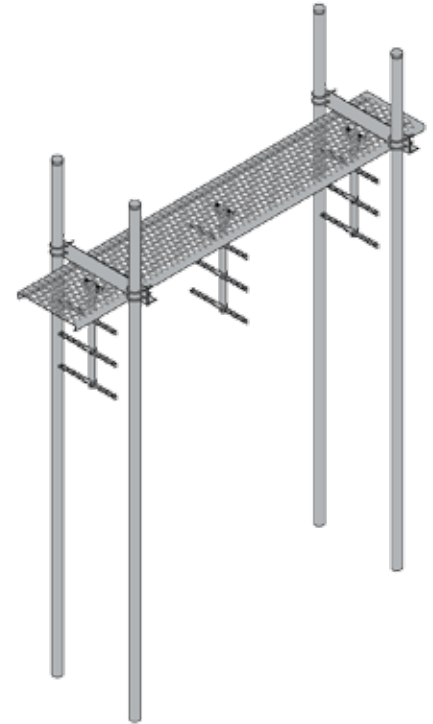
Part #	Description	lb.
<b>15'-4" x 3-1/2" OD (4.67m x 88.9 mm) Pipe Post (10' (3.05 m) max bridge height)</b>		
C20-135-052	2' x 10' (609.6 mm x 3.05 m) Waveguide Bridge NO Trapeze	306.00
C20-135-055	2' x 10' (609.6 mm x 3.05 m) Waveguide Bridge & (3) 1 Level Trapeze 14 Snap-In or 12 Butterfly Capacity	321.30
C20-135-058	2' x 10' (609.6 mm x 3.05 m) Waveguide Bridge & (3) 2 Level Trapeze 28 Snap-In or 24 Butterfly Capacity	336.30
C20-135-061	2' x 10' (609.6 mm x 3.05 m) Waveguide Bridge & (3) 3 Level Trapeze 42 Snap-In or 36 Butterfly Capacity	348.90
C20-135-561	2' x 10' (609.6 mm x 3.05 m) Waveguide Bridge & (3) Triple-T Trapeze Kits for 24 lines	369.00
<b>18' x 3-1/2" OD (5.49 m x 88.9 mm) Pipe Post (13' (3.96 m) max bridge height)</b>		
C20-135-002	2' x 10' (609.6 mm x 3.05 m) Waveguide Bridge NO Trapeze	340.00
C20-135-005	2' x 10' (609.6 mm x 3.05 m) Waveguide Bridge & (3) 1 Level Trapeze 14 Snap-In or 12 Butterfly Capacity	355.30
C20-135-008	2' x 10' (609.6 mm x 3.05 m) Waveguide Bridge & (3) 2 Level Trapeze 28 Snap-In or 24 Butterfly Capacity	370.30
C20-135-011	2' x 10' (609.6 mm x 3.05 m) Waveguide Bridge & (3) 3 Level Trapeze 42 Snap-In or 36 Butterfly Capacity	382.90



## Waveguide Bridge, 2' Wide (15'-4" & 18' Four Post) - Direct Burial Type

Each kit includes Grip Strut Channel, General Support Brackets, Posts, Pipe Caps and all hardware required for installation.

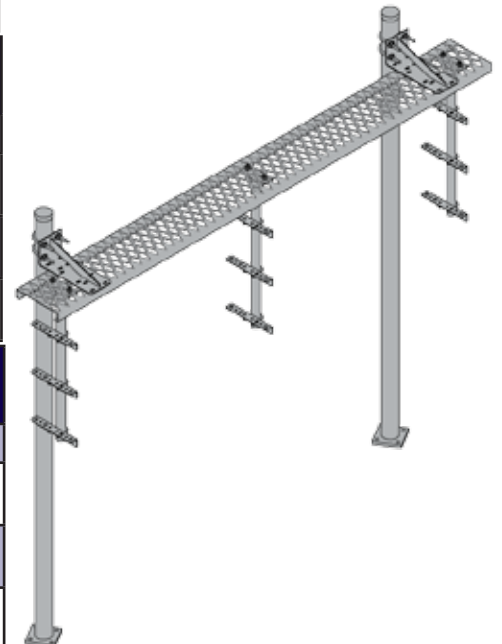
Part #	Description	lb.
<b>15'-4" x 3-1/2" OD (4.67 m x 88.9 mm) Pipe Post (10' (3.05 m) max bridge height)</b>		
C20-135-053	2' x 10' (609.6 mm x 3.05 m) Waveguide Bridge NO Trapeze	567.20
C20-135-056	2' x 10' (609.6 mm x 3.05 m) Waveguide Bridge & (3) 1 Level Trapeze 14 Snap-In or 12 Butterfly Capacity	582.50
C20-135-059	2' x 10' (609.6 mm x 3.05 m) Waveguide Bridge & (3) 2 Level Trapeze 28 Snap-In or 24 Butterfly Capacity	597.50
C20-135-062	2' x 10' (609.6 mm x 3.05 m) Waveguide Bridge & (3) 3 Level Trapeze 42 Snap-In or 36 Butterfly Capacity	610.10
<b>18' x 3-1/2" OD (5.49 m x 88.9 mm) Pipe Post (13' (3.96 m) max bridge height)</b>		
C20-135-003	2' x 10' (609.6 mm x 3.05 m) Waveguide Bridge NO Trapeze	635.20
C20-135-006	2' x 10' (609.6 mm x 3.05 m) Waveguide Bridge & (3) 1 Level Trapeze 14 Snap-In or 12 Butterfly Capacity	650.50
C20-135-009	2' x 10' (609.6 mm x 3.05 m) Waveguide Bridge & (3) 2 Level Trapeze 28 Snap-In or 24 Butterfly Capacity	665.50
C20-135-012	2' x 10' (609.6 mm x 3.05 m) Waveguide Bridge & (3) 3 Level Trapeze 42 Snap-In or 36 Butterfly Capacity	678.10



## Waveguide Bridge, 1' Wide (10'-6" & 14' Two Post) - Base Plate Type

Each kit includes Grip Strut Channel, General Support Brackets, Posts, Pipe Caps and all hardware required for installation.

Part #	Description	lb.
<b>10'-6" x 3-1/2" (3.2 m x 88.9 m) OD Pipe Post (9'6" (2.9 m) max bridge height)</b>		
C20-136-021	1' x 10' (304.8 mm x 3.05 m) Waveguide Bridge NO Trapeze	224.40
C20-136-023	1' x 10' (304.8 mm x 3.05 m) Waveguide Bridge & (3) 1 Level Trapeze 6 Snap-In or 4 Butterfly Capacity	253.40
C20-136-025	1' x 10' (304.8 mm x 3.05 m) Waveguide Bridge & (3) 2 Level Trapeze 12 Snap-In or 8 Butterfly Capacity	262.10
C20-136-027	1' x 10' (304.8 mm x 3.05 m) Waveguide Bridge & (3) 3 Level Trapeze 18 Snap-In or 12 Butterfly Capacity	268.40
<b>14' x 3-1/2" OD (4.27 m x 88.9 m) Pipe Post (9'6" (2.9 m) max bridge height)</b>		
C20-136-061	1' x 10' (304.8 mm x 3.05 m) Waveguide Bridge NO Trapeze	299.40
C20-136-063	1' x 10' (304.8 mm x 3.05 m) Waveguide Bridge & (3) 1 Level Trapeze 6 Snap-In or 4 Butterfly Capacity	308.40
C20-136-065	1' x 10' (304.8 mm x 3.05 m) Waveguide Bridge & (3) 2 Level Trapeze 12 Snap-In or 8 Butterfly Capacity	317.10
C20-136-067	1' x 10' (304.8 mm x 3.05 m) Waveguide Bridge & (3) 3 Level Trapeze 18 Snap-In or 12 Butterfly Capacity	323.40





## Waveguide Bridge, 2' Wide (10'-6" & 14' Four Post) - Base Plate Type

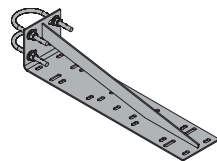
Each kit includes Grip Strut Channel, General Support Brackets, Posts, Pipe Caps and all hardware required for installation.

Part #	Description	lb.
<b>10'-6" x 3-1/2" OD (3.2 m x 88.9 m) Pipe Post (9'-6" (2.9 m) max bridge height)</b>		
C20-136-022	2' x 10' (609.6 m x 3.05 m) Waveguide Bridge NO Trapeze	531.50
C20-136-024	2' x 10' (609.6 m x 3.05 m) Waveguide Bridge & (3) 1 Level Trapeze 14 Snap-In or 12 Butterfly Capacity	545.70
C20-136-026	2' x 10' (609.6 m x 3.05 m) Waveguide Bridge & (3) 2 Level Trapeze 28 Snap-In or 24 Butterfly Capacity	561.30
C20-136-028	2' x 10' (609.6 m x 3.05 m) Waveguide Bridge & (3) 3 Level Trapeze 42 Snap-In or 36 Butterfly Capacity	573.20
<b>14' x 3-1/2" (4.27 m x 88.9 m) OD Pipe Post (13' (3.96 m) max bridge height)</b>		
C20-136-062	2' x 10' (609.6 m x 3.05 m) Waveguide Bridge NO Trapeze	641.50
C20-136-064	2' x 10' (609.6 m x 3.05 m) Waveguide Bridge & (3) 1 Level Trapeze 14 Snap-In or 12 Butterfly Capacity	655.70
C20-136-066	2' x 10' (609.6 m x 3.05 m) Waveguide Bridge & (3) 2 Level Trapeze 28 Snap-In or 24 Butterfly Capacity	671.30
C20-136-068	2' x 10' (609.6 m x 3.05 m) Waveguide Bridge & (3) 3 Level Trapeze 42 Snap-In or 36 Butterfly Capacity	683.20



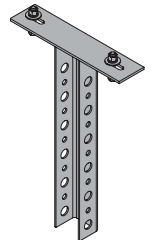
### General Support Bracket

Fits Pipe Posts having a 3-1/2" OD (88.9 mm). Each kit includes all required attachment hardware to support posts.



### Vertical Waveguide Hanger Kit

Supports up to twelve (12) lines of coax below a Waveguide Bridge. A maximum of 3' (914.4 mm) spacing is recommended. All hardware is included.

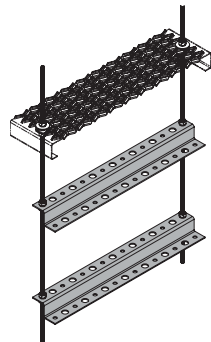


Part #	Description	lb.
C20-014-016	Support for (1) 2' (609.6 mm) Channel	16.90
C20-014-015	Support for (1) 11-3/4" (298.45 mm) Channel	8.27

Part #	Description	lb.
C20-145-101	Hanger Kit	6.60

### Universal Z-Bracket Trapeze Kit

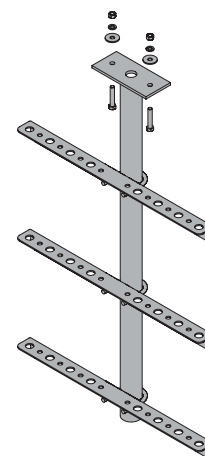
Allows transmission line to be placed both above and under the bracket. The single rung kits come with 3/8" x 12" (9.53 mm x 304.8 mm) stainless steel threaded rods. The double and triple stack kits come with 3/8" x 36" (9.53 mm x 914.4 mm) stainless steel threaded rods. A maximum spacing of 3' (914.4 mm) is recommended.



Part #	Description	lb.
C20-145-002	For 24" (609.6 mm) Bridge - Single Level, 14 Snap-Ins or 12 Butterfly Hangers	8.00
C20-145-004	For 24" (609.6 mm) Bridge - Double Level, 28 Snap-Ins or 24 Butterfly Hangers	13.00
C20-145-006	For 24" (609.6 mm) Bridge - Triple Level, 42 Snap-Ins or 36 Butterfly Hangers	17.00

### Triple-T Trapeze

Three (3) level Trapeze Kit will hold 24 lines.



Part #	Description	lb.
C20-145-201	Post mounted triple level trapeze, 24-line	21.00

**CONTRACTOR REQUESTED**

**NEW Waveguide/Ice Bridge Kits with 13'-4" Pipe Posts**

**Waveguide/Ice Bridge, 1' Wide - Direct Burial Type**

Each kit includes Grip Strut Channel, General Support Brackets, Posts, Pipe Caps and all hardware required for installation.

- 13'-4" x 3-1/2" OD Pipe Post
- Max bridge height: 10'

Part Number	Description	Weight
C20-135-026	1' x 10' Ice Bridge Kit, No Trapeze, (2) 13'-4" x 3-1/2" Direct Burial Posts	262.60



Image shown with trapeze (sold separately)

**Waveguide/Ice Bridge, 2' Wide - Direct Burial Type**

Each kit includes Grip Strut Channel, General Support Brackets, Posts, Pipe Caps and all hardware required for installation.

- 13'-4" x 3-1/2" OD Pipe Post
- Max bridge height: 10'

Part Number	Description	Weight
C20-135-027	2' x 10' Ice Bridge Kit, No Trapeze, (2) 13'-4" x 3-1/2" Direct Burial Posts	306.00

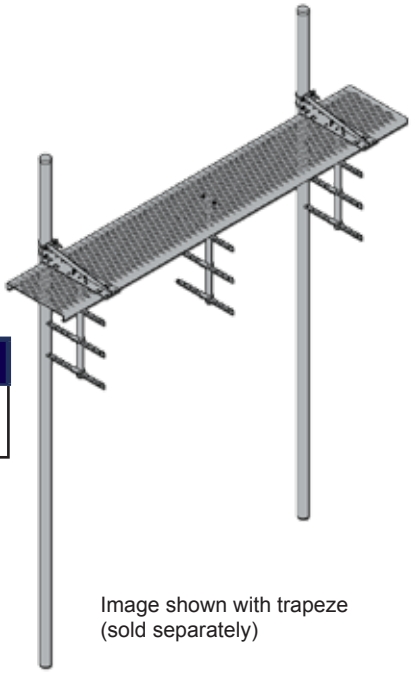


Image shown with trapeze (sold separately)

## Direct Burial Pipe Post Kit

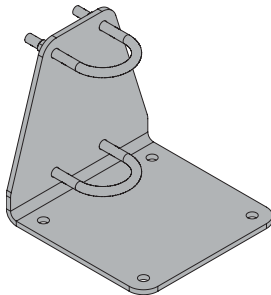
Provides support for Grip Strut Channel and General Support Brackets. Pipe Post has a 3-1/2" OD (88.9 mm) and requires a minimum of 3'-6" (1.1 m) of pipe embedded in concrete for a secure footing. Each Pipe Post includes one pipe cap.



Part #	Description	lb.
C20-138-003	3-1/2" OD x 13'-4" pipe (88.9 mm x 4.08 m)	105.80
C20-138-004	3-1/2" OD x 15'-4" pipe (88.9 mm x 4.69 m)	98.50
C20-138-001	3-1/2" OD x 18' pipe (88.9 mm x 5.49 m)	115.50
C20-138-002	Additional pipe cap, 3-1/2" OD (88.9 mm)	0.73

## Base Shoe Plate

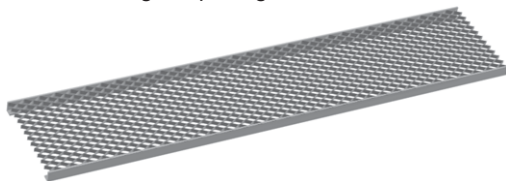
Base shoe assembly for 3-1/2" OD (88.9 mm) pipe.



Part #	Description	lb.
C20-139-000	Single Base Shoe Assembly	29.90

## Grip Strut Channel

Material Grade 14 Gauge, Lip Height 2".



Part #	Description	lb.
C20-137-001	1' x 10' (304.8 mm x 3.05 m)	44.00
C20-137-002	2' x 10' (609.6 mm x 3.05 m)	74.00

## Base Plate Pipe Post Kit

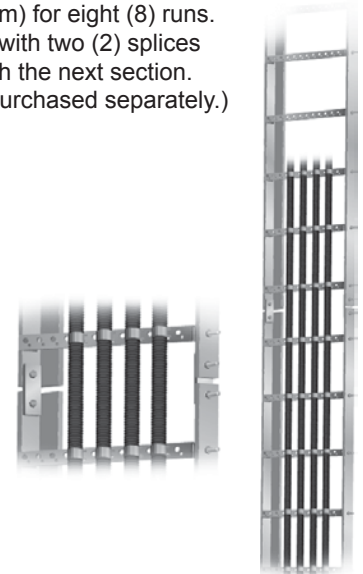
Provides support for Grip Strut Channel and General Support Brackets. Each kit includes one 3-1/2" OD (88.9 mm) Pipe Post, four stainless steel anchor wedges and one pipe cap.



Part #	Description	lb.
C20-139-003	3-1/2" OD x 10'-6" pipe (88.9 mm x 3.2 m)	89.70
C20-139-004	3-1/2" OD x 12' pipe (88.9 mm x 3.66 m)	101.40
C20-139-005	3-1/2" OD x 14' pipe (88.9 mm x 4.27 m)	117.20
C20-139-001	3-1/2" OD x 16' pipe (88.9 mm x 4.88 m)	132.90
C20-138-002	Additional pipe cap, 3-1/2" OD (88.9 mm)	1.70

## Knock Down Waveguide Ladder Kit

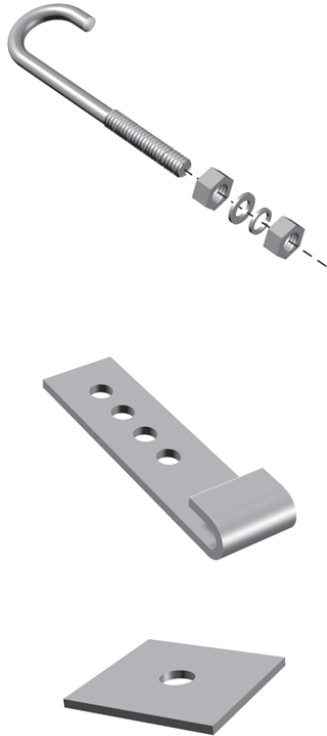
Ladders have 2'-4" or 2'-10" (711.2 mm or 863.6 mm) rung spacing. Available in two widths, 2'-3" (701.04 mm) for twelve (12) runs of coax and 1'-6" (487.68 mm) for eight (8) runs. Each ladder section is furnished with two (2) splices and hardware to interconnect with the next section. (Attachment hardware must be purchased separately.)



Part #	Description	lb.
C20-128-011	10' (3.05 m) Ladder - 12 holes 2'-4" (711.20 mm) spacing	46.80
C20-128-021	20' (6.1 m) Ladder - 12 holes 2'-10" (863.60 mm) spacing	88.60
C20-128-015	10' (3.05 m) Ladder - 8 holes 2'-4" (711.20 mm) spacing	45.00
C20-128-025	20' (6.1 m) Ladder - 8 holes 2'-10" (863.60 mm) spacing	80.20

## Waveguide Ladder Hardware Kit

Kits include a J-Bolt and either J-Clips (for angle members) or Ladder Back-Up Plates (for round members). Use one (1) kit for each ladder section.



## Waveguide Ladder Stacker Kit For Coax Support

Designed to work with Waveguide Ladders (sold separately above). Kits come complete with rungs punched with both 3/8" and 3/4" (9.53 mm and 19.05 mm) holes, spacers and all required hardware.

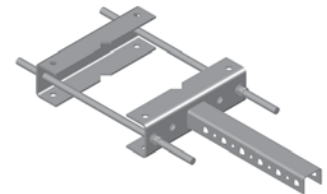


Part #	Description	lb.
C40-101-004	Universal Angle Kit fits 1-1/2" - 6" (38.1 mm - 152.4 mm) angle. One Kit required for 20' Ladder.	4.40
C40-101-005	Universal Angle Kit fits 1-1/2" - 6" (38.1 mm - 152.4 mm) angle. For 5' or 10' Ladder.	2.20
C40-101-021	Universal Kit fits 1-1/2" - 4" angle (38.1 mm - 101.6 mm) or 3/4" to 4-1/2" OD (19.05 mm to 114.3 mm) round. For 5' or 10' ladder.	3.78
C40-101-022	Universal Kit fits 1-1/2" - 4" angle (38.1 mm - 101.6 mm) or 3/4" to 4-1/2" OD (19.05 mm to 114.3 mm) round. One Kit required for 20' Ladder.	7.40

Part #	Description	lb.
C20-129-007	8 additional run Stacker - 20 total runs (3' (914.4 mm) spacing) (Works only with 10' (3.05 m), 12 Hole Waveguide Ladder C20-128-011)	20.00
C20-129-008	8 additional run Stacker - 20 total runs (3' (914.4 mm) spacing) (Works only with 20' (6.1 m), 12 Hole Waveguide Ladder C20-128-021)	35.00
C20-129-009	4 additional run Stacker - 12 total runs (3' (914.4 mm) spacing) (Works only with 10' (3.05 m), 8 Hole Waveguide Ladder C20-128-015)	18.00
C20-129-010	4 additional run Stacker - 12 total runs (3' (914.4 mm) spacing) (Works only with 20' (6.1 m), 8 Hole Waveguide Ladder C20-128-025)	30.00

## Universal Waveguide Standoff Kit

Allows up to twelve (12) lines of coax to be attached to the tower leg. Fits both round and angle members. All hardware is included.



Part #	Description	lb.
C20-150-102	1-1/2" to 5-9/16" OD (38.1 mm to 141.29 mm) Leg, 2-1/2" to 4" (63.5 mm to 101.6 mm) Angle Leg	17.00
C20-150-101	1-1/2" to 10-3/4" OD (38.1 mm to 273.05 mm) Leg, 2-1/2" to 8" (63.5 mm to 203.2 mm) Angle Leg	28.00

Part #	Description	lb.
C40-100-020	3/16" diameter (4.76 mm) EHS Guy Strand Turnbuckle throat 5/8" (15.88 mm) (Anchor Head) Shackle throat 11/16" (26.99 mm) (Guy Lug)	5.20
C40-100-019	1/4" diameter (6.35 mm) EHS Guy Strand Turnbuckle throat 5/8" (15.88 mm) (Anchor Head) Shackle throat 11/16" (26.99 mm) (Guy Lug)	4.90
C40-100-010	5/16" diameter (7.94 mm) EHS Guy Strand Turnbuckle throat 5/8" (15.88 mm) (Anchor Head) Shackle throat 11/16" (26.99 mm) (Guy Lug)	6.00
C40-100-011	3/8" diameter (9.53 mm) EHS Guy Strand Turnbuckle throat 15/16" (23.81 mm) (Anchor Head) Shackle throat 11/16" (26.99 mm) (Guy Lug)	11.20
C40-100-012	7/16" diameter (11.11 mm) EHS Guy Strand Turnbuckle throat 1-5/16" (23.81 mm) (Anchor Head) Shackle throat 11/16" (26.99 mm) (Guy Lug)	12.40
C40-100-013	1/2" diameter (12.7 mm) EHS Guy Strand Turnbuckle throat 1-1/8" (28.58 mm) (Anchor Head) Shackle throat 1-7/16" (36.51 mm) (Guy Lug)	20.00
C40-100-014	9/16" diameter (14.29 mm) EHS Guy Strand Turnbuckle throat 1-3/16" (30.16 mm) (Anchor Head) Shackle throat 1-7/16" (36.51 mm) (Guy Lug)	26.80
C40-100-015	5/8" diameter (15.88 mm) EHS Guy Strand Turnbuckle throat 1-3/16" (30.16 mm) (Anchor Head) Shackle throat 1-7/16" (36.51 mm) (Guy Lug)	31.80
C40-100-030	11/16" diameter (17.27 mm) EHS Guy Strand Turnbuckle throat 1-3/4" (44.45 mm) (Anchor Head) Shackle throat 11-1/16" (42.86 mm) (Guy Lug)	50.00
C40-100-016	3/4" diameter (19.05 mm) EHS Guy Strand Turnbuckle throat 1-3/4" (44.45 mm) (Anchor Head) Shackle throat 11-1/16" (42.86 mm) (Guy Lug)	51.00
C40-100-017	7/8" diameter (22.23 mm) EHS Guy Strand Turnbuckle throat 2-1/16" (52.39 mm) (Anchor Head) Shackle throat 11-1/16" (42.86 mm) (Guy Lug)	70.30
C40-100-018	1" diameter (25.4 mm) EHS Guy Strand Turnbuckle throat 2-1/16" (52.39 mm) (Anchor Head) Shackle throat 11-3/16" (46.04 mm) (Guy Lug)	94.20

## Guy Cable Hardware Kit

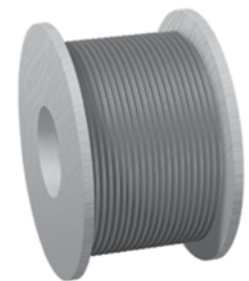
Kits contain all of the hardware components, except guy strand, required for a standard single guy strand assembly. Designed for use with E.H.S. guy strand and appropriate for a specific guy size. Each kit contains one (1) Jaw-Eye Turnbuckle, one (1) Screw Pin Anchor Shackle, two (2) Heavy Thimbles, two (2) Dead-End Grips (preforms) and two (2) Dead-End Sleeves (ice-clips). All individual pieces are hot-dip galvanized in accordance with ASTM A 153 to provide corrosion protection in the harshest environment.



## E.H.S. Guy Strand (Left Hand Lay) Class A Galvanized Steel

This E.H.S. Guy Strand is galvanized in accordance with ASTM A153, A-475. Supplied on reels or coils. Additional shipping time may be required for this item. (Weights do not include spool.)

Part #	Description	lb.
C40-059-011	3/16" (4.76 mm) Guy Strand	.073/ft.
C40-059-001	1/4" (6.35 mm) Guy Strand	0.20/ft.
C40-059-002	5/16" (7.94 mm) Guy Strand	0.30/ft.
C40-059-003	3/8" (9.53 mm) Guy Strand	0.30/ft.
C40-059-004	7/16" (11.11 mm) Guy Strand	0.40/ft.
C40-059-005	1/2" (12.7 mm) Guy Strand	0.60/ft.
C40-059-006	9/16" (14.29 mm) Guy Strand	0.70/ft.
C40-059-007	5/8" (15.88 mm) Guy Strand	0.90/ft.
C40-059-012	11/16" (17.46 mm) Guy Strand	0.99/ft.
C40-059-008	3/4" (19.05 mm) Guy Strand	1.20/ft.
C40-059-009	7/8" (22.23 mm) Guy Strand	1.60/ft.
C40-059-010	1" (25.4 mm) Guy Strand	2.10/ft.



## Bird-Flight Diverter

Makes guyed structures visible to birds, providing an economic means of reducing the hazard to both birds and guyed strands. Manufactured from rigid .375" and .5" (9.53 mm and 12.7 mm) high impact PVC, the diverter retains good physical characteristics in the most extreme temperatures. Spacing distances of 15' (4.57 m) intervals are recommended for the best results. Material color is yellow.\*



Part #	Conductor Range Min.	Max.	Overall Length	Diameter of Diverter Coil	Diameter of PVC Rod	Guy Wire Sizes
C40-083-001	0.175" (4.45 mm)	0.249" (6.32 mm)	7" (177.8 mm)	2.25" (57.15 mm)	0.375" (9.53 mm)	0.188" (4.78 mm)
C40-083-002	0.25" (6.35 mm)	0.349" (8.86 mm)	8.5" (215.9 mm)	2.5" (63.5 mm)	0.375" (9.53 mm)	0.25" - 0.313" (6.35 mm - 7.95 mm)
C40-083-003	0.35" (8.89 mm)	0.449" (11.4 mm)	9.5" (241.3 mm)	2.75" (69.85 mm)	0.375" (9.53 mm)	0.375"-0.438" (9.53 mm - 11.13 mm)
C40-083-004	0.45" (11.43 mm)	0.599" (15.21 mm)	11" (279.4 mm)	3" (76.2 mm)	0.375" (9.53 mm)	0.5" - 0.563" (12.7 mm - 14.28 mm)
C40-083-005	0.6" (15.24 mm)	0.77" (19.56 mm)	13" (330.2 mm)	4" (101.6 mm)	0.5" (12.7 mm)	0.625" - 0.75" (15.88 mm - 19.05 mm)
C40-083-006	0.771" (19.58 mm)	0.858" (21.79 mm)	15" (381 mm)	4.25" (107.95 mm)	0.5" (12.7 mm)	0.75"-0.813" (19.05 mm - 20.65 mm)
C40-083-007	0.859" (21.82 mm)	0.942" (23.94 mm)	16" (406.4 mm)	4.75" (120.65 mm)	0.5" (12.7 mm)	0.875" - 0.9375" (22.23 mm - 23.81 mm)

\*Material color in gray upon request. Please call 337-598-5250 for more information.

## Galvanized Heavy Thimble

Meets Federal Specifications FF-T-276B, Type III. These Heavy Thimbles are used with guy strand or wire rope. They are open for ease of installation. These thimbles are galvanized in accordance with ASTM A153.



Part #	Description	lb.
C40-055-011	For 3/16" (4.76 mm) diameter cable	0.10
C40-055-001	For 5/16" (7.94 mm) diameter cable	0.20
C40-055-002	For 3/8" (9.53 mm) diameter cable	0.30
C40-055-003	For 7/16" (11.11 mm) diameter cable	0.40
C40-055-004	For 1/2" (12.7 mm) diameter cable	0.60
C40-055-005	For 9/16" (14.29 mm) diameter cable	0.60
C40-055-006	For 5/8" (15.88 mm) diameter cable	0.80
C40-055-007	For 3/4" (19.05 mm) diameter cable	1.60
C40-055-008	For 7/8" (22.23 mm) diameter cable	2.00
C40-055-009	For 1" (25.4 mm) diameter cable	3.20
C40-055-010	For 1-1/8" & 1-1/4" (28.58 mm x 31.75 mm) diameter cable	4.00

## Galvanized Wire Rope Clip

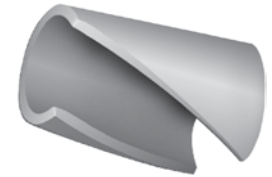
Meets Federal Specifications FF-C-450, Type 1, Class 1. These Wire Rope Clips are used with Guy Strand or Wire Rope. These clips are galvanized in accordance with ASTM A153.



Part #	Description	lb.
C40-056-001	For 3/16" (4.76 mm) guy strand or wire rope	0.20
C40-056-002	For 1/4" (6.35 mm) guy strand or wire rope	0.20
C40-056-003	For 5/16" (7.94 mm) guy strand or wire rope	0.40
C40-056-004	For 3/8" (9.53 mm) guy strand or wire rope	0.50
C40-056-005	For 7/16" (11.11 mm) guy strand or wire rope	0.80
C40-056-006	For 1/2" (12.7 mm) guy strand or wire rope	0.80
C40-056-007	For 9/16" (14.29 mm) guy strand or wire rope	1.10
C40-056-008	For 5/8" (15.88 mm) guy strand or wire rope	1.10
C40-056-009	For 3/4" (19.05 mm) guy strand or wire rope	1.60
C40-056-010	For 7/8" (22.23 mm) guy strand or wire rope	2.60
C40-056-011	For 1" (25.4 mm) guy strand or wire rope	2.90
C40-056-012	For 1-1/4" (31.75 mm) guy strand or wire rope	4.90

## Galvanized Dead-End Sleeve (Ice-Clips)

Sleeves are galvanized in accordance with ASTM A153.



Part #	Description	lb.
C40-057-011	For 3/16" (4.76 mm) guy strand	0.10
C40-057-001	For 1/4" (6.35 mm) guy strand	0.10
C40-057-002	For 5/16" (7.94 mm) guy strand	0.10
C40-057-003	For 3/8" (9.53 mm) guy strand	0.10
C40-057-004	For 7/16" (11.11 mm) guy strand	0.10
C40-057-005	For 1/2" (12.7 mm) guy strand	0.20
C40-057-006	For 9/16" (14.29 mm) guy strand	0.20
C40-057-007	For 5/8" (15.88 mm) guy strand	0.20
C40-057-012	For 11/16" (17.46 mm) guy strand	0.18
C40-057-008	For 3/4" (19.05 mm) guy strand	0.30
C40-057-009	For 7/8" (22.23 mm) guy strand	0.30
C40-057-010	For 1" (25.4 mm) guy strand	0.40

## Galvanized Dead-End Grip (Preforms)

Grips are galvanized in accordance with ASTM A153.

Part #	Size	REF #	Color Code	Description	lb.
C40-058-011	3/16"	BG-2142	Red	For 3/16" (4.76 mm) guy strand	0.30
C40-058-001	1/4"	BG-2144	Yellow	For 1/4" (6.35 mm) guy strand	0.60
C40-058-002	5/16"	BG-2146	Black	For 5/16" (7.94 mm) guy strand	0.90
C40-058-003	3/8"	BG-2147	Orange	For 3/8" (9.53 mm) guy strand	1.40
C40-058-004	7/16"	BG-2148	Green	For 7/16" (11.11 mm) guy strand	2.00
C40-058-005	1/2"	BG-2115	Blue	For 1/2" (12.7 mm) guy strand	3.40
C40-058-006	9/16"	BG-2116	Yellow	For 9/16" (14.29 mm) guy strand	5.10
C40-058-007	5/8"	BG-2111	Black	For 5/8" (15.88 mm) guy strand	5.30
C40-058-012	11/16"	BG-MS-1035	Blue	For 11/16" (17.46 mm) guy strand	10.80
C40-058-008	3/4"	BG-2112	Orange	For 3/4" (19.05 mm) guy strand	7.20
C40-058-009	7/8"	BG-MS-7023	Green	For 7/8" (22.23 mm) guy strand	16.00
C40-058-010	1"	BG-MS-7047	Blue	For 1" (25.4 mm) guy strand	26.00



## Galvanized Jaw-Jaw Turnbuckle

Meets Federal Specifications FF-T-791B, Type 1, Form 1, Class 7. Turnbuckles are galvanized in accordance with ASTM A153.

Part #	Description	lb.
C40-051-001	1/4" diameter x 4" long (6.35 mm x 101.6 mm) - working load 500 lbs.	0.50
C40-051-009	3/8" diameter x 6" long (9.53 mm x 152.4 mm) - working load 1,200 lbs.	1.00
C40-051-002	1/2" diameter x 12" long (12.7 mm x 304.8 mm) - working load 2,200 lbs.	2.40
C40-051-003	5/8" diameter x 12" long (15.88 mm x 304.8 mm) - working load 3,500 lbs.	4.00
C40-051-004	3/4" diameter x 12" long (19.05 mm x 304.8 mm) - working load 5,200 lbs.	6.50
C40-051-005	7/8" diameter x 12" long (22.23 mm x 304.8 mm) - working load 7,200 lbs.	10.00
C40-051-006	1" diameter x 12" long (25.4 mm x 304.8 mm) - working load 10,000 lbs.	14.00
C40-051-007	1-1/4" diameter x 12" long (31.75 mm x 304.8 mm) - working load 15,200 lbs.	25.00
C40-051-008	1-1/2" diameter x 12" long (38.1 mm x 304.8 mm) - working load 21,400 lbs.	38.00



## Galvanized Jaw-Eye Turnbuckle

Meets Federal Specifications FF-T-791B, Type 1, Form 1, Class 8. Turnbuckles are galvanized in accordance with ASTM A153.



Part #	Description	lb.
C40-052-001	1/4" diameter x 4" long (6.35 mm x 101.6 mm) - working load 500 lbs.	0.40
C40-052-009	3/8" diameter x 6" long (9.53 mm x 152.4 mm) - working load 1,200 lbs.	1.00
C40-052-002	1/2" diameter x 12" long (12.7 mm x 304.8 mm) - working load 2,200 lbs.	2.30
C40-052-003	5/8" diameter x 12" long (15.88 mm x 304.8 mm) - working load 3,500 lbs.	3.70
C40-052-004	3/4" diameter x 12" long (19.05 mm x 304.8 mm) - working load 5,200 lbs.	6.10
C40-052-005	7/8" diameter x 12" long (22.23 mm x 304.8 mm) - working load 7,200 lbs.	9.40
C40-052-006	1" diameter x 12" long (25.4 mm x 304.8 mm) - working load 10,000 lbs.	13.00
C40-052-007	1-1/4" diameter x 12" long (31.75 mm x 304.8 mm) - working load 15,200 lbs.	23.00
C40-052-008	1-1/2" diameter x 12" long (38.1 mm x 304.8 mm) - working load 21,400 lbs.	33.00

## Galvanized Screw Pin Anchor Shackle

Anchor Shackles meet the performance requirements of Federal Specifications RR-C-271F Type 1VA, Grade A, Class 2. Shackles are galvanized in accordance with ASTM A153.



Part #	Description	lb.
C40-053-001	1/4" (6.35 mm) nominal size (working load 1/2 ton)	0.20
C40-053-002	3/8" (9.53 mm) nominal size (working load 1 ton)	0.40
C40-053-003	1/2" (12.7 mm) nominal size (working load 2 tons) recommended for use with 3/16" (4.76 mm) EHS	0.80
C40-053-004	5/8" (15.88 mm) nominal size (working load 3-1/4 tons) recommended for use with 1/4", 5/16", 3/8" & 7/16" (6.35 mm, 7.94 mm, 9.53 mm & 11.11 mm) EHS	1.60
C40-053-005	3/4" (19.05 mm) nominal size (working load 4-3/4 tons)	2.30
C40-053-006	7/8" (22.23 mm) nominal size (working load 6-1/2 tons) recommended for use with 1/2", 9/16" & 5/8" (12.7 mm, 14.29 mm & 15.88 mm) EHS	3.60
C40-053-007	1" (25.4 mm) nominal size (working load 8-1/2 tons) recommended for use with 3/4" & 7/8" (19.05 mm & 22.23 mm) EHS	5.60
C40-053-008	1-1/8" (28.58 mm) nominal size (working load 9-1/2 tons) recommended for use with 1" (25.4 mm) EHS	7.40
C40-053-009	1-1/4" (31.75 mm) nominal size (working load 12 tons)	10.00

## Galvanized J-Bolt Assembly

All parts are galvanized in accordance with ASTM A153. Each assembly includes one (1) ASTM A36 J-Bolt, two (2) ASTM A563 Grade DH or A194 Grade 2H Heavy Hex Nuts, one (1) Flat Washer, and one (1) Lock Washer. All J-Bolts are stress relieved prior to galvanizing. (Custom J-Bolts can be provided upon request.)



Part #	Description	lb.
C40-039-001	3/8" diameter x 5-3/4" long (9.53 mm x 146.05 mm), 3" (76.2 mm) thread length, 1/2" (12.7mm) hook width, 1" (25.4 mm) hook length	0.40
C40-039-002	3/8" diameter x 7-1/4" long (9.53 mm x 184.15 mm), 3" (76.2 mm) thread length, 1/2" (12.7mm) hook width, 1" (25.4 mm) hook length	0.40
C40-039-003	3/8" diameter x 9" long (9.53 mm x 228.6 mm), 3" (76.2 mm) thread length, 1/2" (12.7mm) hook width, 1" (25.4 mm) hook length	0.50
C40-039-005	3/8" diameter x 9" long (9.53 mm x 228.6 mm), 7" (177.8 mm) thread length, 1/2" (12.7mm) hook width, 1" (25.4 mm) hook length	0.50
C40-039-004	1/2" diameter x 3" long (12.7 mm x 76.2 mm), 1-1/2" (38.1 mm) thread length, 1/2" (12.7mm) hook width, 1" (25.4 mm) hook length	0.60
C40-039-006	1/2" diameter x 3" long (12.7 mm x 76.2 mm), 1-1/2" (38.1 mm) thread length, 1/2" (12.7mm) hook width, 1" (25.4 mm) hook length	0.80



## Galvanized U-Bolt Assembly

All parts are galvanized in accordance with ASTM A153. Each assembly includes one (1) ASTM A36 U-Bolt, two (2) ASTM A563 Grade DH or A194 Grade 2H Heavy Hex Nuts, two (2) Flat Washers, and two (2) Lock Washers. All U-Bolts are stress relieved prior to galvanizing. (Custom U-Bolts can be provided upon request.)

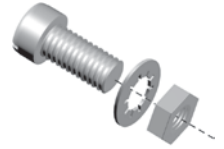


Part #	Description	lb.
C40-034-005	3/8" diameter x 1-1/8" wide x 1-13/16" long (9.53 mm x 28.58 mm x 46.04 mm), 1-1/4" (31.75 mm) thread length (Fits 1" OD (25.4 mm))	0.30
C40-034-052	3/8" diameter x 2-1/16" wide x 3-3/8" long (9.53 mm x 52.39 mm x 85.73 mm), 1-3/4" (44.45 mm) thread length (Fits 2" OD (50.8 mm))	0.40
C40-034-054	3/8" diameter x 2-5/8" wide x 3-5/8" long (9.53 mm x 66.68 mm x 92.08 mm), 1-1/2" (38.1 mm) thread length (Fits 2-1/2" OD (63.5 mm))	0.50
C40-034-056	3/8" diameter x 3-1/8" wide x 4-3/8" long (9.53 mm x 79.38 mm x 111.13 mm), 2" (50.8 mm) thread length (Fits 3" OD (76.2 mm))	0.60
C40-034-011	1/2" diameter x 1-9/16" wide x 3-1/2" long (12.7 mm x 39.69 mm x 88.9 mm), 2" (50.8 mm) thread length (Fits 1 1/2" OD (38.1 mm))	0.80
C40-034-013	1/2" diameter x 2-1/16" wide x 5" long (12.7 mm x 52.39 mm x 127 mm), 3" (76.2 mm) thread length (Fits 2" OD (50.8 mm))	0.90
C40-034-014	1/2" diameter x 2-7/16" wide x 5-3/8" long (12.7 mm x 61.91 mm x 136.53 mm), 3" (76.2 mm) thread length (Fits 2-1/4" & 2-3/8" OD (57.15 mm & 60.33 mm))	1.10
C40-034-015	1/2" diameter x 2-15/16" wide x 5-3/4" long (12.7 mm x 74.61 mm x 146.05 mm), 3" (76.2 mm) thread length (Fits 2-3/4" & 2-7/8" OD (69.85 mm & 73.03 mm))	1.20
C40-034-016	1/2" diameter x 3-9/16" wide x 6-1/2" long (12.7 mm x 90.49 mm x 165.1 mm), 3" (76.2 mm) thread length (Fits 3-1/2" OD (88.9 mm))	1.30
C40-034-017	1/2" diameter x 4-1/16" wide x 7" long (12.7 mm x 103.19 mm x 177.8 mm), 3" (76.2 mm) thread length (Fits 4" OD (101.6 mm))	1.40
C40-034-018	1/2" diameter x 4-9/16" wide x 7-1/2" long (12.7 mm x 115.89 mm x 190.5 mm), 3" (76.2 mm) thread length (Fits 4-1/2" OD (114.3 mm))	1.40
C40-034-022	5/8" diameter x 2-1/16" wide x 5" long (15.88 mm x 52.39 mm x 127 mm), 3" (76.2 mm) thread length (Fits 2" OD (50.8 mm))	1.70
C40-034-139	1/2" diameter x 2-7/16" wide x 4" long thread length 1-1/2" (Fits 2-1/4" or 2-3/8" OD)	0.82
C40-034-143	1/2" diameter x 3-9/16" wide x 5-1/8" long thread length 1-1/2" (Fits 3-1/2" OD)	0.93
C40-034-140	1/2" diameter x 2-15/16" wide x 4-1/2" long thread length 1-1/2" (Fits 2-3/8" or 2-7/8" OD)	0.90
C40-034-023	5/8" diameter x 2-7/16" wide x 5-3/8" long (15.88 mm x 61.91 mm x 136.53 mm), 3" (76.2 mm) thread length (Fits 2-1/4" & 2-3/8" OD (57.15 mm & 60.33 mm))	1.80
C40-034-024	5/8" diameter x 2-9/16" wide x 5-1/2" long (15.88 mm x 65.09 mm x 139.7 mm), 3" (76.2 mm) thread length (Fits 2-1/2" OD (63.5 mm))	1.80
C40-034-025	5/8" diameter x 2-15/16" wide x 5-7/8" long (15.88 mm x 74.61 mm x 149.23 mm), 3" (76.2 mm) thread length (Fits 2-3/4" & 2-7/8" OD (69.85 mm & 73.03 mm))	1.90
C40-034-026	5/8" diameter x 3-1/16" wide x 6" long (15.88 mm x 77.79 mm x 152.4 mm), 3" (76.2 mm) thread length (Fits 3" OD (76.2 mm))	2.00
C40-034-028	5/8" diameter x 3-9/16" wide x 6-1/2" long (15.88 mm x 90.48 mm x 165.1 mm), 3" (76.2 mm) thread length (Fits 3-1/2" OD (88.9 mm))	2.00
C40-034-030	5/8" diameter x 4-1/16" wide x 7" long (15.88 mm x 103.19 mm x 177.8 mm), 3" (76.2 mm) thread length (Fits 4" OD (101.6 mm))	2.20
C40-034-032	5/8" diameter x 4-9/16" wide x 7-1/2" long (15.88 mm x 115.89 mm x 190.5 mm), 3" (76.2 mm) thread length (Fits 4-1/2" OD (114.3 mm))	2.30
C40-034-033	5/8" diameter x 4-13/16" wide x 7-3/4" long (15.88 mm x 122.24 mm x 196.85 mm), 3" (76.2 mm) thread length (Fits 4-3/4" OD (120.65 mm))	2.40
C40-034-034	5/8" diameter x 5-1/16" wide x 8" long (15.88 mm x 128.59 mm x 203.2 mm), 3" (76.2 mm) thread length (Fits 5" OD (127 mm))	2.50
C40-034-035	5/8" diameter x 5-5/8" wide x 8-9/16" long (15.88 mm x 142.88 mm x 217.49 mm), 3" (76.2 mm) thread length (Fits 5-9/16" OD (141.29mm))	2.60
C40-034-036	5/8" diameter x 6-11/16" wide x 9-5/8" long (15.88 mm x 169.86 mm x 244.48 mm), 3" (76.2 mm) thread length (Fits 6-5/8" OD (168.28 mm))	2.90
C40-034-037	5/8" diameter x 8-11/16" wide x 11-5/8" long (15.88 mm x 220.66 mm x 295.28 mm), 3" (76.2 mm) thread length (Fits 8-5/8" OD (219.08 mm))	3.30
C40-034-038	5/8" diameter x 10-13/16" wide x 13-3/4" long (15.88 mm x 274.64 mm x 349.25 mm), 3" (76.2 mm) thread length (Fits 10-3/4" OD (273.05 mm))	3.40
C40-034-039	5/8" diameter x 12-7/8" wide x 15-3/4" long (15.88 mm x 327.03 mm x 400.05 mm), 3" (76.2 mm) thread length (Fits 12-3/4" OD (323.85 mm))	3.50
C40-034-040	5/8" diameter x 14-1/8" wide x 17" long (15.88 mm x 358.78 mm x 431.8 mm), 3" (76.2 mm) thread length (Fits 14" OD (355.6 mm))	3.60
C40-034-045	3/4" diameter x 4-9/16" wide x 8-1/2" long (19.05 mm x 115.89 mm x 215.9 mm), 4" (101.6 mm) thread length (Fits 4-1/2" OD (114.3 mm))	3.60
C40-034-046	3/4" diameter x 5-5/8" wide x 9-9/16" long (19.05 mm x 142.88 mm x 242.89 mm), 4" (101.6 mm) thread length (Fits 5-9/16" OD (141.29 mm))	4.00
C40-034-047	3/4" diameter x 6-11/16" wide x 10-5/8" long (19.05 mm x 169.86 mm x 269.88 mm), 4" (101.6 mm) thread length (Fits 6-5/8" OD (168.28 mm))	4.40
C40-034-048	3/4" diameter x 8-11/16" wide x 12-5/8" long (19.05 mm x 220.66 mm x 320.68 mm), 4" (101.6 mm) thread length (Fits 8-5/8" OD (219.08 mm))	5.10
C40-034-049	3/4" diameter x 10-13/16" wide x 14-3/4" long (19.05 mm x 274.64 mm x 374.65 mm), 4" (101.6 mm) thread length (Fits 10-3/4" OD (273.05 mm))	5.80
C40-034-050	3/4" diameter x 12-7/8" wide x 16-3/4" long (19.05 mm x 327.03 mm x 425.45 mm), 4" (101.6 mm) thread length (Fits 12-3/4" OD (323.85 mm))	6.50

## Stainless Steel Fillister-Head Screw Assembly

Includes one (1) Fillister-Head Screw, one (1) Hex Nut, and one (1) Toothed Lock Washer.

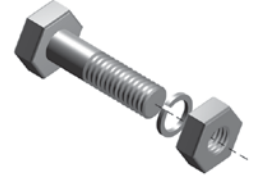
Part #	Description	lb.
C40-013-001	3/8" diameter x 1/2" long (9.53 mm x 12.7 mm) (full thread)	0.10
C40-013-002	3/8" diameter x 5/8" long (9.53 mm x 15.88 mm) (full thread)	0.10
C40-013-003	3/8" diameter x 3/4" long (9.53 mm x 19.05 mm) (full thread)	0.10
C40-013-013	3/8" diameter x 3/4" long (9.53 mm x 19.05 mm) (10 per pack)	0.70
C40-013-004	3/8" diameter x 1" long (9.53 mm x 25.4 mm) (full thread)	0.10
C40-013-014	3/8" diameter x 1" long (9.53 mm x 25.4 mm) (10 per pack)	1.10



## Stainless Steel Bolt Assembly

Includes one (1) Bolt, one (1) Hex Nut, and one (1) Lock Washer.

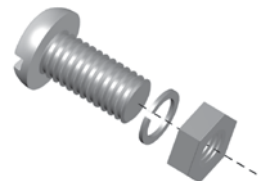
Part #	Description	lb.
C40-012-003	1/4" diameter x 1" long (6.35 mm x 25.4 mm), 3/4" (19.05 mm) thread length	0.10
C40-012-004	1/4" diameter x 1-1/4" long (6.35 mm x 31.75 mm), 3/4" (19.05 mm) thread length	0.10
C40-012-012	3/8" diameter x 3/4" long (9.53 mm x 19.05 mm) (full thread)	0.10
C40-012-013	3/8" diameter x 1" long (9.53 mm x 25.4 mm) (full thread)	0.10
C40-012-015	3/8" diameter x 1-1/2" long (9.53 mm x 38.1 mm), 1" (25.4 mm) thread length	0.10
C40-012-017	3/8" diameter x 2" long (9.53 mm x 50.8 mm), 1" (25.4 mm) thread length	0.10
C40-012-019	3/8" diameter x 2-1/2" long (9.53 mm x 63.5 mm), 1" (25.4 mm) thread length	0.20
C40-012-021	3/8" diameter x 3" long (9.53 mm x 76.2 mm), 1" (25.4 mm) thread length	0.20
C40-012-022	3/8" diameter x 3-1/2" long (9.53 mm x 88.9 mm), 1" (25.4 mm) thread length	0.20
C40-012-023	3/8" diameter x 4" long (9.53 mm x 101.6 mm), 1" (25.4 mm) thread length	0.20
C40-012-024	3/8" diameter x 4-1/2" long (9.53 mm x 114.3 mm), 1" (25.4 mm) thread length	0.20
C40-012-025	3/8" diameter x 5" long (9.53 mm x 127 mm), 1" (25.4 mm) thread length	0.20
C40-012-026	1/2" diameter x 3/4" long (12.7 mm x 19.05 mm) (full thread)	0.20
C40-012-027	1/2" diameter x 1" long (12.7 mm x 25.4 mm) (full thread)	0.20
C40-012-029	1/2" diameter x 1-1/2" long (12.7 mm x 38.1 mm), 1-1/4" (31.75 mm) thread length	0.20
C40-012-031	1/2" diameter x 2" long (12.7 mm x 50.8 mm), 1-1/4" (31.75 mm) thread length	0.30
C40-012-033	1/2" diameter x 2-1/2" long (12.7 mm x 63.5 mm), 1-1/4" (31.75 mm) thread length	0.30
C40-012-035	1/2" diameter x 3" long (12.7 mm x 76.2 mm), 1-1/4" (31.75 mm) thread length	0.30
C40-012-037	5/8" diameter x 1-1/2" long (15.88 mm x 38.1 mm) (full thread)	0.40
C40-012-039	5/8" diameter x 2" long (15.88 mm x 50.8 mm), 1-1/2" (38.1 mm) thread length	0.40
C40-012-041	5/8" diameter x 2-1/2" long (15.88 mm x 63.5 mm), 1-1/2" (38.1 mm) thread length	0.40
C40-012-043	3/4" diameter x 2-1/2" long (19.05 mm x 63.5 mm), 1-3/4" (44.45 mm) thread length	0.70
C40-012-044	3/4" diameter x 3" long (19.05 mm x 76.2 mm), 1-3/4" (44.45 mm) thread length	0.70



## Stainless Steel Round-Head Screw Assembly

Includes one (1) Round-Head Screw, one (1) Hex Nut, and one (1) Lock Washer.

Part #	Description	lb.
C40-014-001	3/8" diameter x 1/2" long (9.53 mm x 12.7 mm) (full thread)	0.10
C40-014-002	3/8" diameter x 5/8" long (9.53 mm x 15.88 mm) (full thread)	0.10
C40-014-003	3/8" diameter x 3/4" long (9.53 mm x 19.05 mm) (full thread)	0.10
C40-014-004	3/8" diameter x 1" long (9.53 mm x 25.4 mm) (full thread)	0.10



## Stainless Steel Flat Washer

Part #	Description	lb.
C40-020-010	1/4" diameter (6.35 mm)	0.10
C40-020-011	3/8" diameter (9.53 mm)	0.10
C40-020-012	1/2" diameter (12.7 mm)	0.10
C40-020-013	5/8" diameter (15.88 mm)	0.10
C40-020-014	3/4" diameter (19.05 mm)	0.20



## Stainless Steel Lock Washer

Part #	Description	lb.
C40-018-001	1/4" diameter (6.35 mm)	0.10
C40-018-002	3/8" diameter (9.53 mm)	0.10
C40-018-003	1/2" diameter (12.7 mm)	0.10
C40-018-004	5/8" diameter (15.88 mm)	0.10
C40-018-005	3/4" diameter (19.05 mm)	0.10



## Stainless Steel Hex Nut

Part #	Description	lb.
C40-017-001	1/4" diameter (6.35 mm)	0.10
C40-017-002	3/8" diameter (9.53 mm)	0.10
C40-017-003	1/2" diameter (12.7 mm)	0.10
C40-017-004	5/8" diameter (15.88 mm)	0.10
C40-017-005	3/4" diameter (19.05 mm)	0.20



## Stainless Steel Toothed Lock Washer

Part #	Description	lb.
C40-019-001	1/4" diameter (6.35 mm)	0.10
C40-019-002	3/8" diameter (9.53 mm)	0.10
C40-019-003	1/2" diameter (12.7 mm)	0.10
C40-019-004	5/8" diameter (15.88 mm)	0.10
C40-019-005	3/4" diameter (19.05 mm)	0.10



## Stainless Steel Hook Bolt Assembly

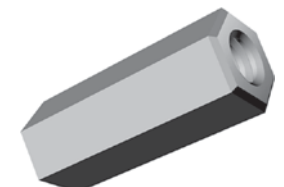
Each assembly includes one (1) Hook Bolt, two (2) Hex Nuts, and one (1) Lock Washer.

Part #	Description	lb.
C40-021-001	1/4" diameter x 2" long (6.35 mm x 50.8 mm) 1" (25.4 mm) thread length, 3/4" (19.05 mm) grip	0.10
C40-021-002	1/4" diameter x 3" long (6.35 mm x 76.2 mm) 1-1/2" (38.1 mm) thread length, 3/4" (19.05 mm) grip	0.10
C40-021-003	1/4" diameter x 4" long (6.35 mm x 101.6 mm) 2" (50.8 mm) thread length, 3/4" (19.05 mm) grip	0.10
C40-021-004	1/4" diameter x 5" long (6.35 mm x 127 mm) 2-1/2" (63.5 mm) thread length, 3/4" (19.05 mm) grip	0.20
C40-021-005	1/4" diameter x 6" long (6.35 mm x 152.4 mm) 3" (76.2 mm) thread length, 3/4" (19.05 mm) grip	0.20



## Stainless Steel Threaded Rod Coupler

Part #	Description	lb.
C40-016-001	3/8" diameter (9.53 mm)	0.10
C40-016-002	1/2" diameter (12.7 mm)	0.10



## Rohn 25G Guyed Tower

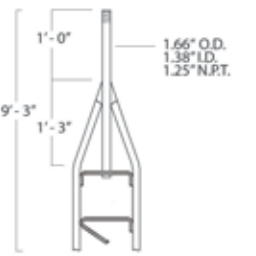
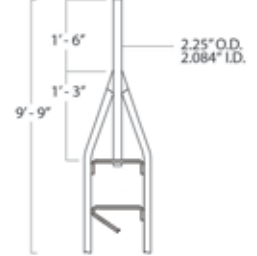
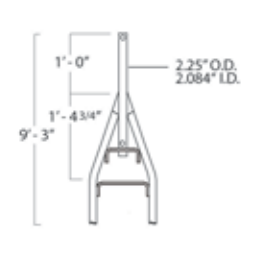

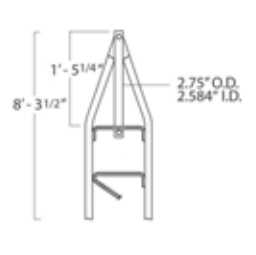


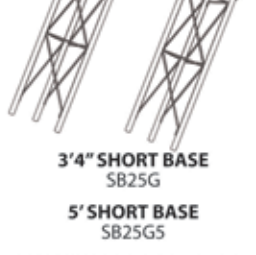
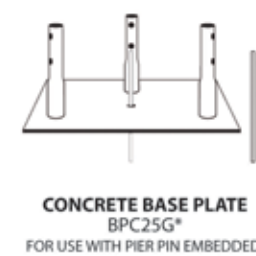
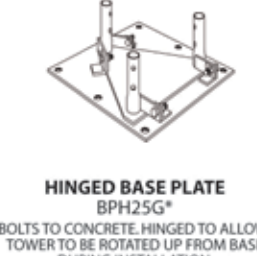

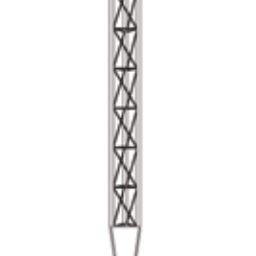
The 25G is available in the standard 10' section length and a 7' length which is UPS shippable. The 25G uses double bolted joints, proven to be the best method of joining tower sections for sturdiness and dependability. The 25G tower can be used in guyed, self-supporting or bracketed configurations. As a guyed structure, the 25G can rise to a maximum of 190 feet. Self supporting and bracketed heights depend on loading.

### Features

- Completely Hot Dip Galvanized after fabrication
- Accessories for 20G are same as the 25G and completely interchangeable
- Built on 12 1/2" equilateral triangle design
- High strength tubular legs joined by Zig-Zag® cross members
- Each 10' section contains all required nuts and bolts inside one leg
- Entirely welded and fabricated with precision equipment
- Extra heavy-duty 1 1/4" steel tubing side rails
- Continuous solid steel rod bracing



RSS Part # Prefix: RS, RS-R

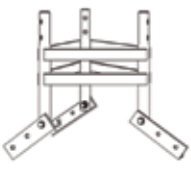


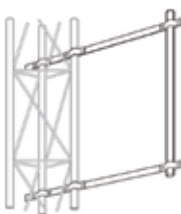
 <p>1'-0" 1.66" O.D. 1.38" I.D. 1.25" N.P.T. 9'-3" 1'-3"</p> <p><b>TOP SECTION</b> 25AG1</p>	 <p>1'-6" 2.25" O.D. 2.084" I.D. 1'-3" 9'-9"</p> <p><b>TOP SECTION</b> 25AG2</p>	 <p>1'-0" 2.25" O.D. 2.084" I.D. 1'-4 3/4" 9'-3"</p> <p><b>TOP SECTION</b> 25AG3</p>	 <p>1'-1/4" 8'-3/16" 1'-4 1/4"</p> <p><b>TOP SECTION</b> 25AG4</p>
 <p>1'-5 1/4" 2.75" O.D. 2.584" I.D. 8'-3 1/2"</p> <p><b>TOP SECTION</b> 25AG5</p>	 <p><b>BEARING PLATE</b> BPL25G LONG LEGS PROVIDE EXTRA CLEARANCE FOR INSTALLATION OF EQUIPMENT. BOLTS TO TOP OF STANDARD SECTION. DRILLED TO ACCEPT TB3 OR TB4 THRUST BEARING.</p>	 <p><b>ASSEMBLY PLATE / TOP BEACON PLATE</b> APL25G FOR MOUNTING BEACON. BOLTS TO TOP OF STANDARD SECTION.</p>	 <p><b>3" SHORT BASE</b> SB25G <b>5" SHORT BASE</b> SB25G5 <b>3" HINGED SHORT BASE</b> SBH25G HINGED CONNECTION TO BOTTOM. THESE BASE SECTIONS FOR EMBEDMENT IN CONCRETE.</p>
 <p><b>CONCRETE BASE PLATE</b> BPC25G* FOR USE WITH PIER PIN EMBEDDED IN CONCRETE. <b>PIER PIN</b> 3/4x12PP MUST BE ORDERED SEPARATELY.</p>	 <p><b>HINGED BASE PLATE</b> BPH25G* BOLTS TO CONCRETE. HINGED TO ALLOW TOWER TO BE ROTATED UP FROM BASE DURING INSTALLATION. <b>BASE BOLTS</b> 1/2x12BB MUST BE ORDERED SEPARATELY.</p>	 <p><b>SINGLE DRIVE-IN BASE</b> SDB25G TO BE DRIVEN DIRECTLY INTO GROUND.</p>	 <p><b>TAPERED BASE</b> 25TGA* CAN BE USED WITH RACAL DECCA A4197L BASE INSULATOR OR WITH 3/4x12PP.</p>



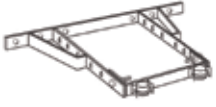
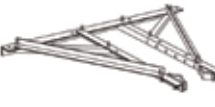


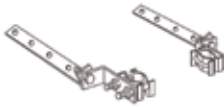



**Standard Top Section 25AG**  
Additional 25AG Top Sections Shown in Catalog







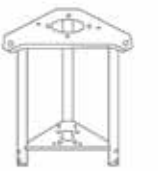




**Standard Section 25G - 10' Section**  
**25G7 - 7' Section**  
The 7' Section is UPS Shippable

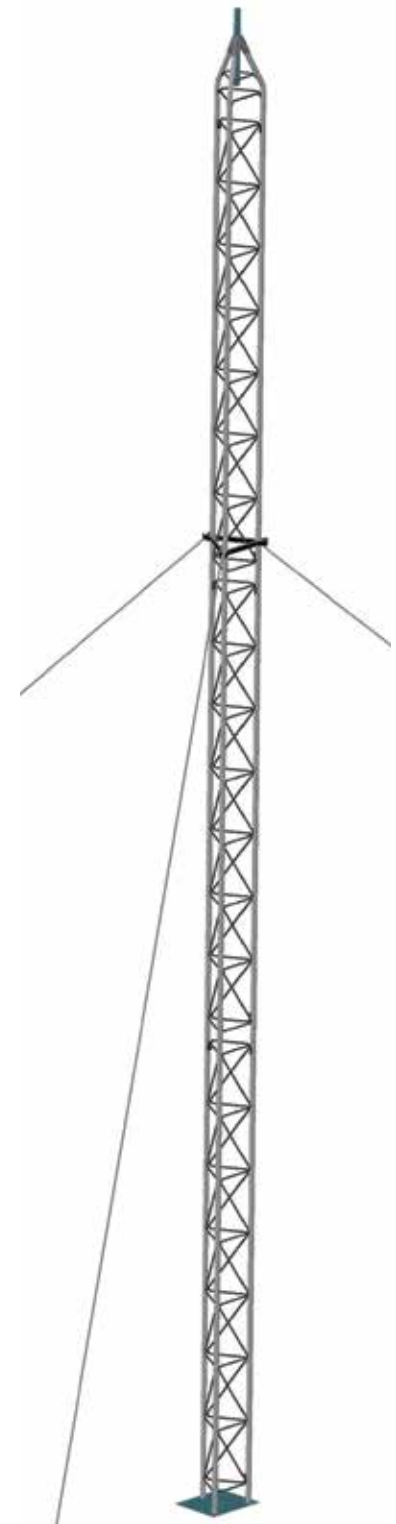
 <p><b>PEAK ROOF MOUNT</b> PR25G*</p> <p>ADJUSTABLE HINGED FEET CONFORM TO NEARLY ANY ROOF PITCH. BOLTS TO ROOF SURFACE.</p>	 <p><b>FLAT ROOF MOUNT</b> FR25G*</p> <p>BOLTS DIRECTLY TO FLAT ROOF SURFACE.</p>	 <p><b>SIDE ARM MOUNT</b> UHF25G</p> <p>FOR UHF &amp; FM ANTENNAS.</p>	 <p><b>SIDE ARM BRACKET</b> SA253UA</p> <p>MOUNTING TUBE PROVIDED IS 3' LONG, 2 - 1/4" O.D.</p>
---	--	---	---

 <p><b>TOP MOUNT</b> 25TDMKD - NO PIPE 25TDM253KD - 2" X 7" PIPE 25TDM2553KD - 2 1/2" X 7" PIPE 25TDM353KD - 3" X 7" PIPE 25TDM3553KD - 3 1/2" X 7" PIPE</p> <p>TOP PLATE INCLUDES BUILT IN GUY LUGS. BOLTS TO SWAGED TOP OF STANDARD SECTION. LOWER PLATE CONNECTS WITH U-BOLTS. SET SCREWS SECURE MOUNTING PIPE.</p>	 <p><b>FACE MOUNT</b> DM25G2</p> <p>MOUNTING PIPE INCLUDED IS 5' LONG, 2" STD.</p>	 <p><b>ADJUSTABLE HOUSE BRACKET</b> HB25AG 0 - 15" HB25BG 0 - 24" HB25CG 0 - 36"</p>	 <p><b>HEAVY DUTY UNIVERSAL HOUSE BRACKET</b> HBUTVRO</p> <p>ADJUSTABLE TO POSITION TOWER 18" - 36" FROM WALL.</p>
---	---	---	--

 <p><b>UNIVERSAL EAVE BRACKET</b> EB2525G</p> <p>HINGED CONNECTION ALLOWS TOWER LEG CLAMPS TO REMAIN PERPENDICULAR TO GROUND WHILE BOLT DOWN. SUPPORTS ROTATE TO LAY FLAT ALONG PITCHED ROOF OR EAVE.</p>	 <p><b>GUY BRACKET</b> GA25GD</p> <p>MOUNTS TO ANY TOWER AT ANY HORIZONTAL BRACE.</p> <p><b>TORQUE BARS</b> TB25D</p> <p>OPTIONAL, FOR USE WITH GA25GD (NOT SHOWN).</p>	 <p><b>ANTI-CLIMB PANELS</b> 25ACL3</p> <p>THREE ANTI-CLIMB PANELS TO BOLT TO EXISTING STANDARD TOWER SECTION.</p>	 <p><b>TORQUE ARM STABILIZER ASSEMBLY</b> TA25</p> <p>ANTI-TWIST DEVICE LOCATED IN THE AREA OF ANTENNAS. PROVIDES SIX-WAY GUYING. BOLTS TO TOWER AT ANY SECTION JOINT ATTACHED WITH JOINT BOLTS. MUST BE INSTALLED AS SECTIONS ARE JOINED TOGETHER.</p>
---	---	--	--

 <p><b>90° JOINTS</b> 2590MM - BOTH ENDS SWAGED</p> <p>JOINTS ARE NOT DRILLED WHERE THEY SLIP FIT TO 25G SECTIONS. CAN BE FIELD DRILLED OR CUSTOM CONNECTED TO MEET PARTICULAR NEEDS.</p>	 <p><b>90° JOINTS</b> 2590FF - BOTH ENDS OPEN</p> <p>JOINTS ARE NOT DRILLED WHERE THEY SLIP FIT TO 25G SECTIONS. CAN BE FIELD DRILLED OR CUSTOM CONNECTED TO MEET PARTICULAR NEEDS.</p>	 <p><b>90° JOINTS</b> 2590FM - ONE END SWAGED, ONE OPEN</p> <p>JOINTS ARE NOT DRILLED WHERE THEY SLIP FIT TO 25G SECTIONS. CAN BE FIELD DRILLED OR CUSTOM CONNECTED TO MEET PARTICULAR NEEDS.</p>	 <p><b>ACCESSORY SHELF</b> AS25G</p> <p>FOR MOUNTING MANY POPULAR ROTORS. FIELD DRILLING MAY BE NECESSARY FOR SOME ROTORS.</p>
--	--	--	--

 <p><b>ROTOR POST</b> RP25G</p> <p>RP25G CM</p>	 <p><b>THRUST BEARING</b> TB3 - SUPPORTS UP TO 2" O.D. MAST. TB4 - SUPPORTS UP TO 3" O.D. MAST.</p> <p>MOUNTS TO BAS25G OR BLP25G.</p>	 <p><b>TOWER BUSHING</b> TB50 - 1-1/4" I.D. X 2" O.D. TB75 - 1-1/2" I.D. X 2" O.D.</p> <p>FOR USE ON 25AG TOP SECTION REFER TO PAGE 2.</p>	 <p><b>SAFETY RING</b> SR245</p> <p>SNAPS INTO PLACE AT ANY LEVEL. NO BOLTS REQUIRED.</p>	 <p><b>WORK PLATFORM</b> WP25G</p> <p>SNAPS INTO PLACE AT ANY LEVEL. NO BOLTS REQUIRED.</p>
--	---	---	---	--



## Rohn 45G Guyed Tower

The 45G is a true multi-use structure that provides excellent strength for applications up to 300 feet. It's offered with either heavy steel tube or solid steel rod legs to satisfy a wide variety of needs under varied conditions. When properly installed, the standard tower will support various loads.

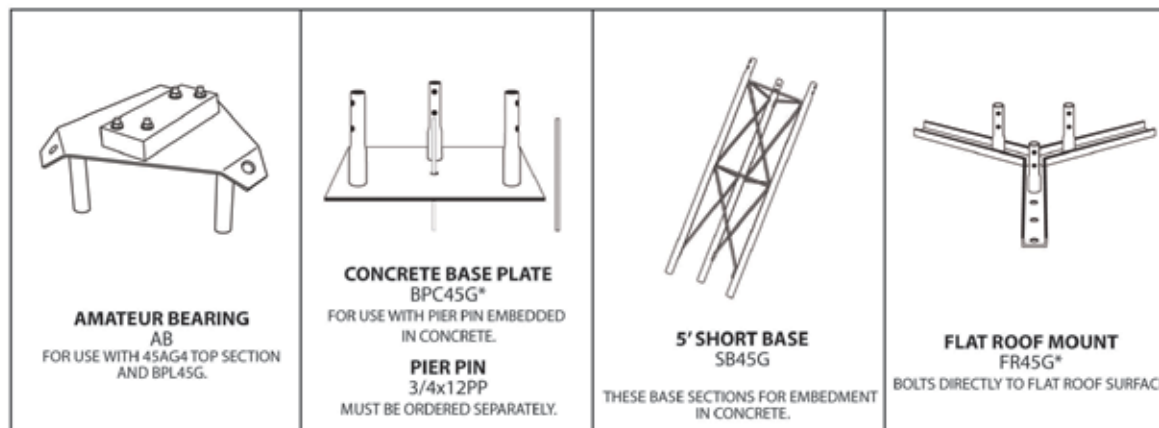
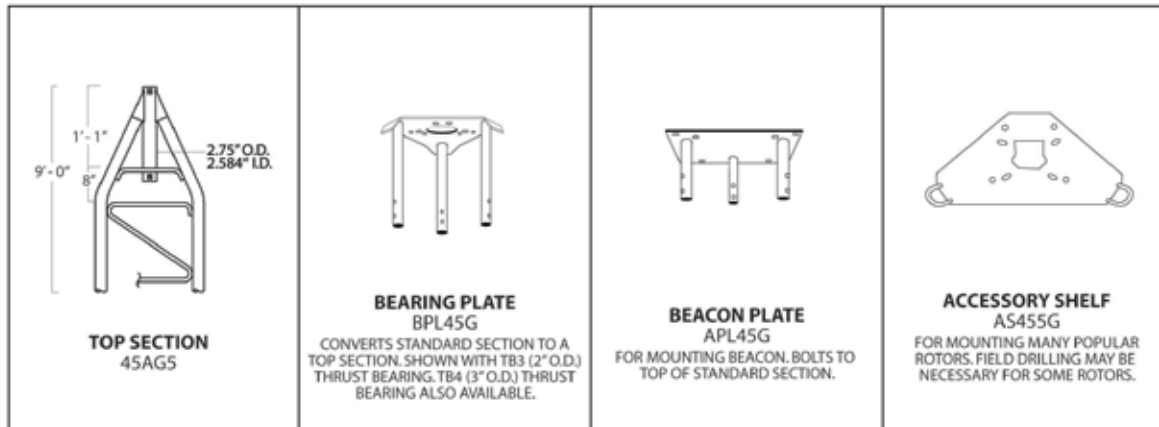
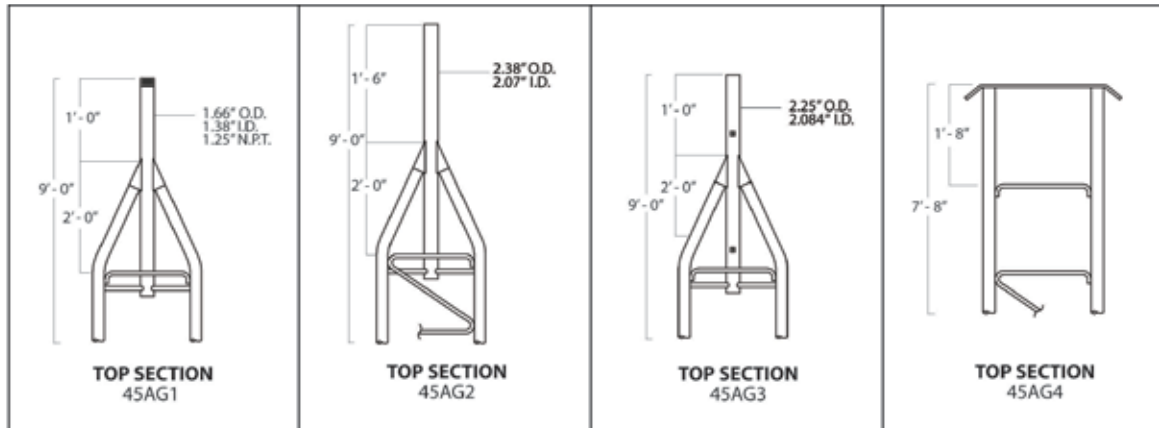
### Features

- Completely Hot Dip Galvanized after fabrication
- Heavy steel tube or solid steel rod side rails
- Built on 18" equilateral triangle design
- Utilizes 1 1/4" outside diameter, 14 gauge, special quality steel tubing or solid steel rod legs
- Zig-Zag® cross bracing is formed from a continuous 7/16" solid steel rod electrically welded every 15 3/4" on the side rails
- Each 10' sleeve is joined to the other and double bolted for extra strength

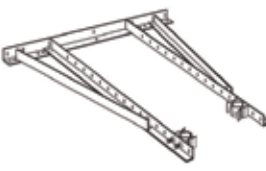
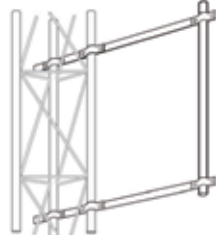


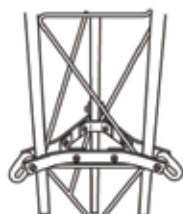








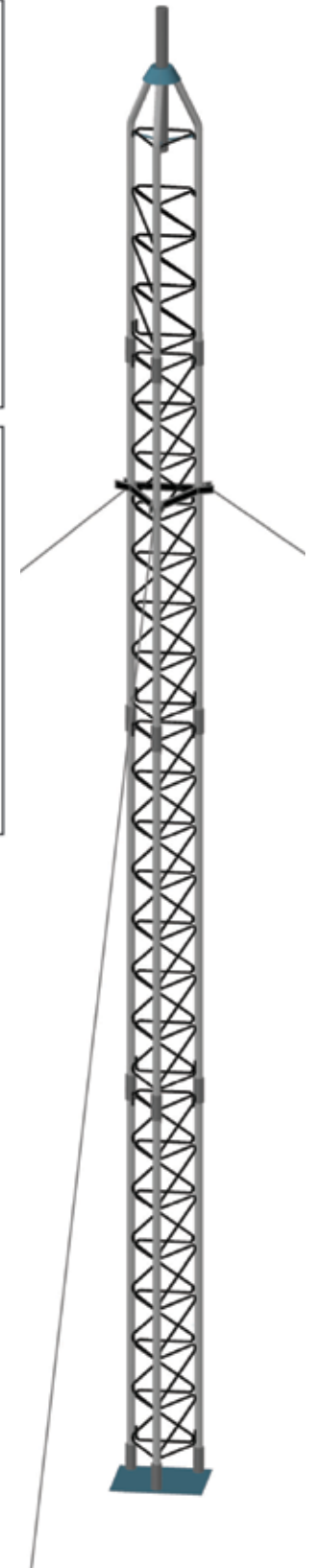
**Standard Top Section 45AG**  
Additional 45AG Top Sections Shown in Catalog

RSS Part # Prefix: RS, RS-R



**Standard Section 45G - 10' Section**

 <p><b>HEAVY DUTY UNIVERSAL HOUSE BRACKET</b> HBU - 6" - 30" HBUTVRO ADJUSTABLE TO POSITION TOWER 18" - 36" FROM WALL.</p>	 <p><b>SIDE ARM BRACKET</b> SA253UA MOUNTING TUBE PROVIDED IS 3' LONG, 2 - 1/4" O.D.</p>	 <p><b>FACE MOUNT</b> DM45G2 - 2 3/8" O.D. 5' LONG DM454 - 4 1/2" O.D PIPE, 5' LONG</p>	 <p><b>INSULATOR SECTION</b> 45RG*</p>
 <p><b>GUY BRACKET</b> GA45GD MOUNTS TO ANY TOWER AT ANY HORIZONTAL BRACE. <b>TORQUE BARS</b> TB45D REQUIRES THREE 3/8s SHACKLES FOR INSTALLATION. (NOT SHOWN)</p>	 <p><b>TORQUE ARM STABILIZER ASSEMBLY</b> TA45 SHOWN WITH 45TDM TOP DISH MOUNT.</p>	 <p><b>TOWER BUSHING</b> TB50 - 1-1/4" I.D. X 2" O.D. TB75 - 1-1/2" I.D. X 2" O.D. FOR USE ON 45AG TOP SECTION REFER TO PAGE 2.</p>	 <p><b>ANTI-CLIMB PANELS</b> 455ACL3 BOLT ON SHEETS TO PROVIDE ANTI-CLIMB PROTECTION.</p>
 <p><b>SAFETY RING</b> SR245 SNAPS INTO PLACE AT ANY LEVEL. NO BOLTS REQUIRED.</p>	 <p><b>WORK PLATFORM</b> WP45G SNAPS INTO PLACE AT ANY LEVEL. NO BOLTS REQUIRED.</p>	 <p><b>ERECTION FIXTURE</b> EF2545 0 2 1/2" SHEAVE WITH 3/8" I.D. GROOVE. NOTE: ERECTION FIXTURES ARE FOR LIFTING ONE 10' SECTION AT A TIME AND ARE NOT INTENDED FOR THE LIFTING OF PERSONNEL.</p>	

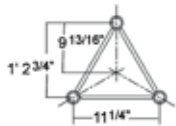


## Rohn 55G Guyed Tower

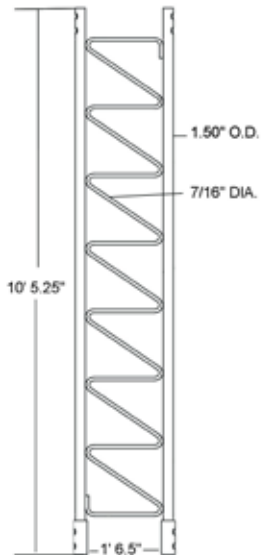
Because of its rugged design, the 55G lends itself to a wide variety of uses in the communications field, particularly where unusual wind loading and height requirements exist. The 55G was designed to provide excellent strength in heights up to 400 feet.

### Features

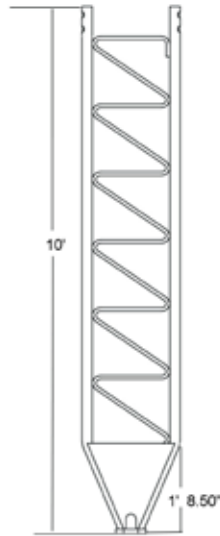
- Completely Hot Dip Galvanized after fabrication
- Heavy steel tube or solid steel rod side rails
- Built on 18" equilateral triangle design
- Utilizes high strength steel tubing side rails
- Zig-Zag® cross bracing is formed from a continuous 7/16" solid steel rod electrically welded every 15 3/4" on the side rails
- Each 10' sleeve is joined to the other and double bolted for extra strength
- Adaptable to varying heights and loading requirements



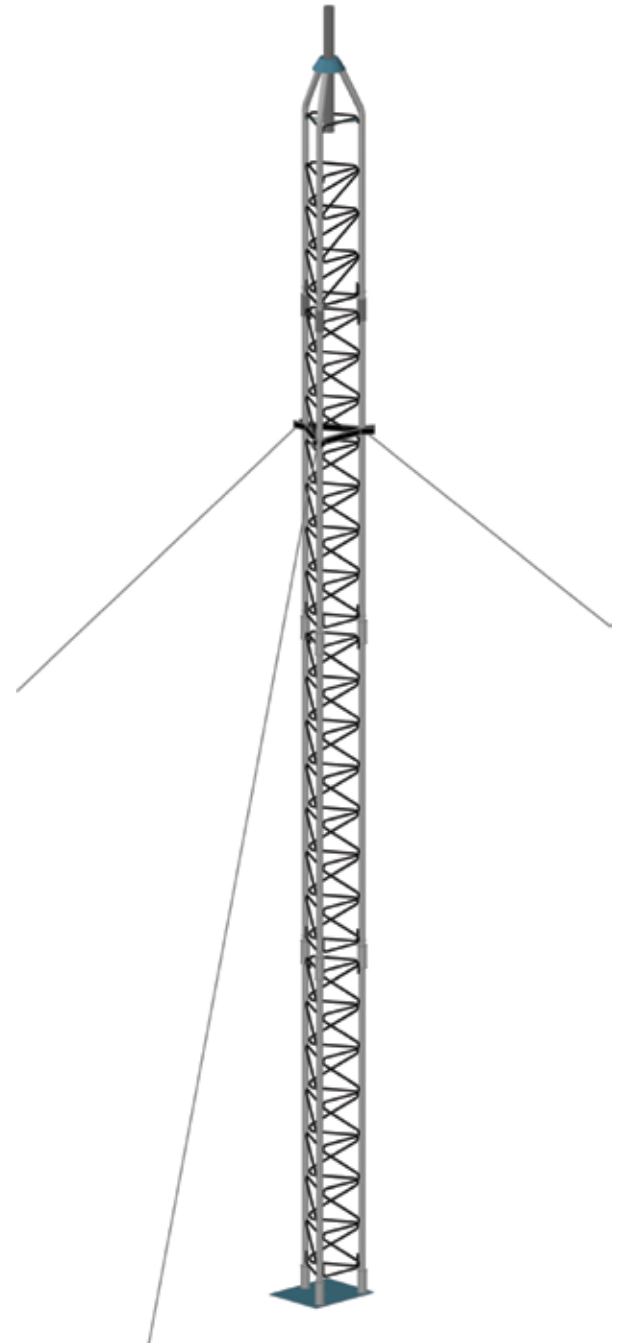
RSS Part # Prefix: RS, RS-R



**Standard Section**  
55G - 10' Section



**Tapered Base Section**  
55TG



<p><b>ASSEMBLY PLATE / TOP BEACON PLATE</b> APL25G FOR MOUNTING BEACON. BOLTS TO TOP OF STANDARD SECTION.</p>	<p><b>5' SHORT BASE</b> SB25G5 HINGED CONNECTION TO BOTTOM. THESE BASE SECTIONS FOR EMBEDMENT IN CONCRETE.</p>
---	--



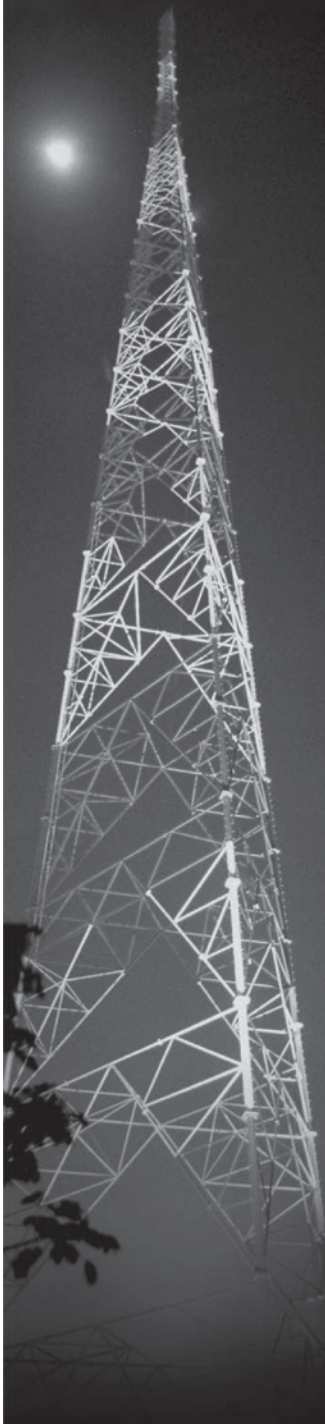
## Rohn SSV Towers

Time Tested Strength and Design

The ROHN SSV Series of Self Supporting Towers provide an excellent strength to cost ratio proven by years of use. In production over 20 years, the SSV has evolved into a highly efficient and wide ranging system of custom towers produced from pre-engineered sections.

## Worldwide Multiple Uses

SSV towers are in use Worldwide for two way communications, microwave, cellular, PCS, public safety, broadcast, STL, surveillance camera mounts, solar power stations, weather stations and even high level lighting of sports stadiums.



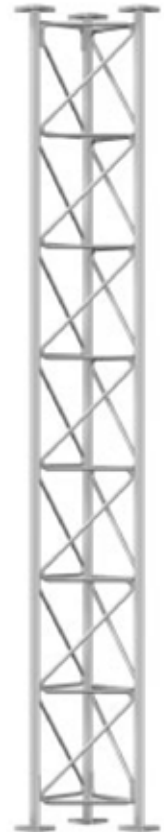
### Provide the Following for a Quote:

- Tower Height
- Tower Location/County
- Antenna Model or Loads
- Antenna Heights



## Sabre 1200 TLWD Guyed Tower

TOWER PROFILE	
EPA LOAD RANGE (SQ. FT.)	AVAILABLE UPON REQUEST
LOAD LOCATION	TOP
MAXIMUM HEIGHT	250'
MINIMUM HEIGHT	40'
STANDARD 10' SECTION WEIGHT (LBS.) (GALV.)	81.10
MAXIMUM # OF LINES ON A FACE	1- 7/8" LINE PER FACE (3 - TOTAL)
GUY STRAND SIZE	3/16", 1/4" EHS
LEG SIZE	1.315" OD
LEG TYPE	TUBULAR
LEG CONNECTION	THREE HOLE BOLTED FLANGE
BRACING SIZE	3/8"
BRACING TYPE	SOLID SERPENTINE
BRACE CONNECTION	WELDED
ENGINEERING	PRE-ENGINEERED
CLIMBING APPLICATION	INCORPORATED INTO TOWER FACE
TYPE OF LINE SUPPORT	N/A - ATTACH DIRECTLY TO BRACING MEMBERS
SECTOR MOUNT COMPATIBLE	NO
PLATFORM COMPATIBLE	NO
MAXIMUM SIDEARM LENGTH	3' MAX



1. EPA IS THE ACTUAL AREA "SEEN BY THE WIND" OF AN APPURTENANCE (ANTENNA, MOUNT, ETC.) MULTIPLIED BY A FORCE COEFFICIENT. IT IS NOT NECESSARILY THE VALUE PUBLISHED BY THE APPURTENANCE MANUFACTURER. FOR FURTHER EXPLANATION OF AND SOME GUIDELINES ON HOW TO CALCULATE EPA, MORE INFORMATION IS AVAILABLE BY REQUEST.
2. ANSI/TIA/EIA-222-F-1996 RECOMMENDS THAT DESIGNS BE EVALUATED BY A REGISTERED PROFESSIONAL ENGINEER FOR EACH SPECIFIC APPLICATION.
3. FOR TALLER OR MORE HEAVILY LOADED GUYED TOWERS, PLEASE SEE 1800 TLWD.
4. CUSTOM ENGINEERING OF THE 1200 TLWD GUYED TOWER IS AVAILABLE FOR NON-CATALOG LOADING REQUIREMENTS.



### 10' Standard Section Kit

#### Part #: C30-904-001

For use as part of a guyed, freestanding or bracketed tower. Face size is 12" from leg center to leg center. Legs are 1.315 OD Sch 40 pipe and bracing is 3/8" serpentine. Attaches to similar sections. Section and nine (9) section bolts included.



### 5' Short Base Section Kit

#### Part #: C30-904-076

For use as a base section that is to be embedded in concrete. Face size is 12" from leg center to leg center. Legs are 1.25" solid rod with 3/8" serpentine bracing. Attaches to similar sections (freestanding or bracketed applications). Section and nine (9) section bolts included.



### 5' Standard Section Kit

#### Part #: C30-904-002

For use as part of a guyed, freestanding or bracketed tower. Face size is 12" from leg center to leg center. Legs are 1.315 OD Sch 40 pipe and bracing is 3/8" serpentine. Attaches to similar sections. Section and nine (9) section bolts included.



### 10' Tapered Top Section Kit

#### Part #: C30-904-023

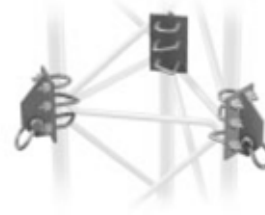
For use as the top section of a tower. Face size is 12" from leg center to leg center. Legs are 1.315 OD Sch 40 pipe and bracing is 3/8" serpentine. Tapered Top consists of a 2-3/8" OD Mast Tube that extends 14" above side rails. Attaches to similar sections. Section and nine (9) section bolts included.



### Bolt-On Anti-Climb Kit

**Part #: C30-904-272**

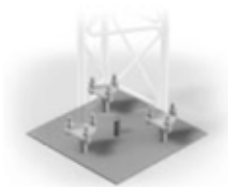
For use on a 10' Standard 1200 TLWD Section. Attaches via Locking Bars. Three (3) anti-climb sheets and locking bars included.



### Guy Bracket Assembly Kit

**Part #: C30-904-177**

For use on a 10' Standard 1200 TLWD Section. Attaches via Locking Bars. Three (3) anti-climb sheets and locking bars included.



### Bracketed Base Plate Kit

**Part #: C30-904-051**

For use at the base of a bracketed tower to transition between section and concrete. Attaches to section via section bolts. Plate, pier pin and nine (9) section bolts included.



### Wall Bracket Assembly

**Part #: C30-904-151**

For use in securing a small face structure to a wall. Attaches to tower face and wall. All hardware for assembly included. Not Included: All materials for mounting the bracket to the building.



### Guyed Base Plate Kit

**Part #: C30-904-052**

For use at the base of a guyed tower to transition between tower and concrete. Attaches to section via section bolts. Plate, pier pin and nine (9) section bolts included.



### 4 Hole Roof Anchor

**Part #: C30-904-301**

For use in rooftop applications. Attaches to rooftop. One (1) head assembly and all hardware for assembly included. Not included: Material for attaching anchor to roof. Supplied by others.



### Rotor Plate Kit

**Part #: C30-904-351**

For use in mounting a rotor unit on the interior of Sabre's lightweight towers. Attaches to tower legs. Plate and hardware for mounting to tower legs included.



### 4 Way Guy Pull Off

**Part #: C30-904-326**

For use in guying a three legged tower in four directions. Attaches to leg flanges. Plate, nine (9) section bolts and four (4) 5/8" shackles included.

\*NOTE: Available for custom engineered structures only.

### Optional Items:

Camera Mounts: Page 8.

3' Sidearm Assembly: Page 9

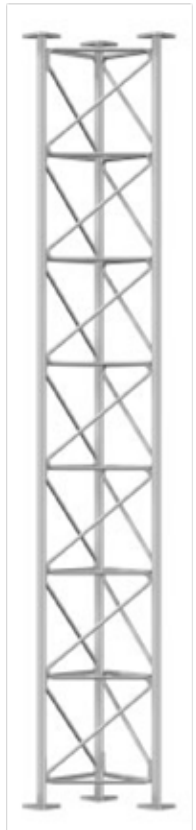
6' Sidearm Assembly: Page 9

Dish Mount Assembly: Page 9



## Sabre 1800 TLWD Guyed Tower

TOWER PROFILE	
EPA LOAD RANGE (SQ. FT.)	AVAILABLE UPON REQUEST
LOAD LOCATION	TOP
MAXIMUM HEIGHT	400'
MINIMUM HEIGHT	40'
STANDARD 10' SECTION WEIGHT (LBS.) (GALV.)	137.70
MAXIMUM # OF LINES ON A FACE	2-7/8" LINES PER FACE (6 - TOTAL)
GUY STRAND SIZE	1/4", 5/16", 3/8" EHS
LEG SIZE	1.66" OD
LEG TYPE	TUBULAR
LEG CONNECTION	THREE HOLE BOLTED FLANGE
BRACING SIZE	1/2"
BRACING TYPE	SOLID SERPENTINE
BRACE CONNECTION	WELDED
ENGINEERING	PRE-ENGINEERED
CLIMBING APPLICATION	INCORPORATED INTO TOWER FACE
TYPE OF LINE SUPPORT	N/A - ATTACH DIRECTLY TO BRACING MEMBERS
SECTOR MOUNT COMPATIBLE	NO
PLATFORM COMPATIBLE	NO
MAXIMUM SIDEARM LENGTH	6' MAX



1. EPA IS THE ACTUAL AREA "SEEN BY THE WIND" OF AN APPURTENANCE (ANTENNA, MOUNT, ETC.) MULTIPLIED BY A FORCE COEFFICIENT. IT IS NOT NECESSARILY THE VALUE PUBLISHED BY THE APPURTENANCE MANUFACTURER. FOR FURTHER EXPLANATION OF AND SOME GUIDELINES ON HOW TO CALCULATE EPA, MORE INFORMATION IS AVAILABLE BY REQUEST.
2. ANSI/TIA/EIA-222-F-1996 RECOMMENDS THAT DESIGNS BE EVALUATED BY A REGISTERED PROFESSIONAL ENGINEER FOR EACH SPECIFIC APPLICATION.
3. FOR SHORTER OR MORE LIGHTLY LOADED GUYED TOWERS, PLEASE SEE 1200 TLWD.
4. CUSTOM ENGINEERING OF THE 1800 TLWD GUYED TOWER IS AVAILABLE FOR NON-CATALOG LOADING REQUIREMENTS.



### 10' Standard Section Kit

**Part #: C30-904-026**

For use as part of a guyed, freestanding or bracketed tower. Face size is 18" from leg center to leg center. Legs are 1.66 OD Sch 40 pipe and bracing is 1/2" serpentine. Attaches to similar sections. Section and nine (9) section bolts included.



### 5' Short Base Section Kit

**Part #: C30-904-088**

For use as a base section that is to be embedded in concrete. Face size is 18" from leg center to leg center. Legs are 1.25" solid rod with 1/2" serpentine bracing. Attaches to similar sections (freestanding or bracketed applications). Section and nine (9) section bolts included.



### 5' Standard Section Kit

**Part #: C30-904-027**

For use as part of a guyed, freestanding or bracketed tower. Face size is 18" from leg center to leg center. Legs are 1.66 OD Sch 40 pipe and bracing is 1/2" serpentine. Attaches to similar sections. Section and nine (9) section bolts included.



### 10' Tapered Top Section Kit

**Part #: C30-904-048**

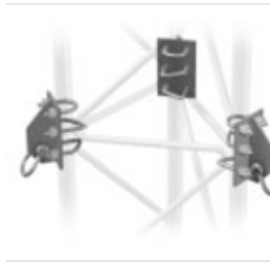
For use as the top section of a tower. Face size is 18" from leg center to leg center. Legs are 1.66 OD Sch 40 pipe and bracing is 1/2" serpentine. Tapered Top consists of a 2-3/8" OD Mast Tube that extends 14" above side rails. Attaches to similar sections. Section and nine (9) section bolts included.



### Bolt-On Anti-Climb Kit

**Part #: C30-904-276**

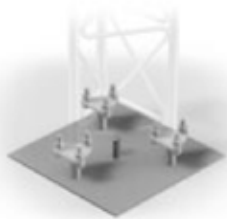
For use on a 10' Standard 1800 TLWD Section. Attaches via Locking Bars. Three (3) anti-climb sheets and locking bars included.



### Guy Bracket Assembly Kit

**Part #: C30-904-189**

For use in attaching guy wire at a specific location on a tower. Attaches to leg at a horizontal level. Three (3) individual assemblies, three (3) 5/8" shackles and all mounting hardware included.



### Bracketed Base Plate Kit

**Part #: C30-904-065**

For use at the base of a bracketed tower to transition between section and concrete. Attaches to section via section bolts. Plate, pier pin and nine (9) section bolts included.



### 4 Hole Roof Anchor

**Part #: C30-904-301**

For use in rooftop applications. Attaches to rooftop. One (1) head assembly and all hardware for assembly included. Not included: Material for attaching anchor to roof. Supplied by others.



### Guyed Base Plate Kit

**Part #: C30-904-064**

For use at the base of a guyed tower to transition between tower and concrete. Attaches to section via section bolts. Plate, pier pin and nine (9) section bolts included.



### 4 Way Guy Pull Off

**Part #: C30-904-331**

For use in guying a three legged tower in four directions. Attaches to leg flanges. Plate, nine (9) section bolts and four (4) 5/8" shackles included.

\*NOTE: Available for custom engineered structures only.



### Wall Bracket Assembly

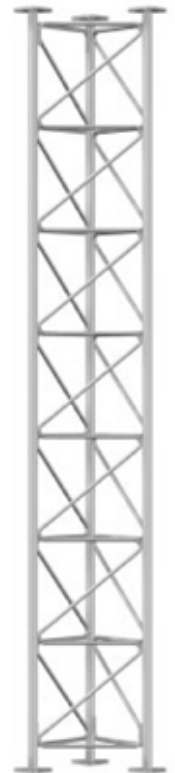
**Part #: C30-904-151**

For use in securing a small face structure to a wall. Attaches to tower face and wall. All hardware for assembly included. Not Included: All materials for mounting the bracket to the building.



## Sabre 1800 SRWD Guyed Tower

TOWER PROFILE	
EPA LOAD RANGE (SQ. FT.)	AVAILABLE UPON REQUEST
LOAD LOCATION	TOP
MAXIMUM HEIGHT	85' FREESTANDING / 125' BRACKETED
MINIMUM HEIGHT	10' FREESTANDING / 20' BRACKETED
STANDARD 10' SECTION WEIGHT (LBS.) (GALV.)	199.23 (1.25" LEG) / 253.68 (1.50" LEG)
MAXIMUM # OF LINES ON A FACE	2-7/8" LINES PER FACE (6 - TOTAL)
GUY STRAND SIZE	1/4", 5/16", 3/8" EHS
LEG SIZE	1.25" AND 1.50"
LEG TYPE	SOLID ROUND
LEG CONNECTION	THREE HOLE BOLTED FLANGE
BRACING SIZE	1/2"
BRACING TYPE	SOLID SERPENTINE
BRACE CONNECTION	WELDED
ENGINEERING	PRE-ENGINEERED
CLIMBING APPLICATION	INCORPORATED INTO TOWER FACE
TYPE OF LINE SUPPORT	N/A - ATTACH DIRECTLY TO BRACING MEMBERS
SECTOR MOUNT COMPATIBLE	NO
PLATFORM COMPATIBLE	NO
MAXIMUM SIDEARM LENGTH	6' MAX



1. EPA IS THE ACTUAL AREA "SEEN BY THE WIND" OF AN APPURTENANCE (ANTENNA, MOUNT, ETC.) MULTIPLIED BY A FORCE COEFFICIENT. IT IS NOT NECESSARILY THE VALUE PUBLISHED BY THE APPURTENANCE MANUFACTURER. FOR FURTHER EXPLANATION OF AND SOME GUIDELINES ON HOW TO CALCULATE EPA, MORE INFORMATION IS AVAILABLE BY REQUEST.
2. ANSII/TIA/EIA-222-F-1996 RECOMMENDS THAT DESIGNS BE EVALUATED BY A REGISTERED PROFESSIONAL ENGINEER FOR EACH SPECIFIC APPLICATION.
3. THE 1800 SRWD IS ALSO AVAILABLE AS A CUSTOM ENGINEERED GUYED TOWER.



### 10' Standard Section Kit

#### Part #: C30-904-801

For use as part of a guyed, freestanding or bracketed tower. Face size is 18" from leg center to leg center. Legs are 1.25 solid rod and bracing is 1/2" serpentine. Attaches to similar sections. Section and nine (9) section bolts included.



### 5' Standard Section Kit

#### Part #: C30-904-802

For use as part of a free-standing or bracketed tower. Legs are 1.25 solid rod with 1/2" serpentine bracing. Attaches to similar sections. Section and nine (9) section bolts included.



### 5' Short Base Section Kit

#### Part #: C30-904-851

For use as a base section that is to be embedded in concrete. Legs are 1.25 solid rod with 1/2" serpentine bracing. Attaches to similar sections (freestanding or bracketed applications). Section and nine (9) section bolts included.



### 10' Tapered Top Section Kit

#### Part #: C30-904-823

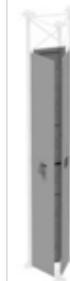
For use as the top section of a tower. Face size is 18" from leg center to leg center. Legs are 1.25 solid rod and bracing is 1/2" serpentine. Tapered top consists of a 2-3/8" OD Mast Tube that extends 14" above side rails. Attaches to similar sections. Section and nine (9) section bolts included.



### Wall Bracket Assembly

#### Part #: C30-904-151

For use in securing a small face structure to a wall. Attaches to tower face and wall. All hardware for assembly included. Not Included: All materials for mounting the bracket to the building.



### Bolt-On Anti-Climb Kit

#### Part #: C30-904-276

For use on a 10' Standard 1800 TLWD Section. Attaches via Locking Bars. Three (3) anti-climb sheets and locking bars included.

## Sabre Series UL Self-Supporting Tower

TOWER PROFILE	
EPA LOAD RANGE(SQ. FT.) NO ICE / 1/2" ICE	7.7 / 11.3
LOAD LOCATION	TOP
MAXIMUM HEIGHT	160'
MINIMUM HEIGHT	50'
MINIMUM TOP SPREAD	1'-6"
MAXIMUM BASE SPREAD	15'-0"
MAXIMUM # OF LINES ON A FACE	1 (7/8") PER FACE (3 TOTAL)
BASIC WIND SPEED	AVAILABLE UPON REQUEST
TAPER RATIO	VARIES
SECTION LENGTHS	10' & 20'
LEG TYPE	SOLID OR TUBULAR
LEG SIZE RANGE (SOLID)	1-1/4" OD OR 1-1/2" OD
LEG SIZE RANGE (TUBULAR)	2-3/8" OD TO 4-1/2" OD
LEG CONNECTION	BOLTED FLANGE
BRACE TYPE	SOLID OR ANGLE
BRACE SIZE RANGE (SOLID)	1/2" DIA. AND 3/4" DIA.
BRACE SIZE RANGE (ANGLE)	1-1/2" X 1-1/2" X 1/8" TO 2-1/2" X 2-1/2" X 3/16"
BRACE STYLE SOLID	SERPENTINE WELDED OR BOLTED ANGLE X-BRACED
ENGINEERING	PRE-ENGINEERED
CLIMBING APPLICATION	STRAIGHT SEC.: INC. INTO FACE TAPERED SEC.: STEP BOLTS
TYPE OF LINE SUPPORTS CONSIDERED	N/A - ATTACH DIRECTLY TO BRACING MEMBERS
MAXIMUM SIDARM LENGTH	3' (TWO MAXIMUM)

### Provide the Following for a Quote:

- Tower Height
- Tower Location/County
- Antenna Model or Loads
- Antenna Heights



## Sabre Series VL Self-Supporting Tower

TOWER PROFILE	
EPA LOAD RANGE (SQ. FT.)	AVAILABLE UPON REQUEST
LOAD LOCATION	TOP
MAXIMUM HEIGHT	240'
MINIMUM HEIGHT	40'
MINIMUM TOP SPREAD	3'-0"
MAXIMUM BASE SPREAD	21'-0"
MAXIMUM # OF LINES ON A FACE	3 (7/8") PER FACE (9 TOTAL)
BASIC WIND SPEED	AVAILABLE UPON REQUEST
TAPER RATIO	2' IN 20'
SECTION LENGTHS	5', 10', 15' & 20'
LEG TYPE	TUBULAR
LEG SIZE RANGE	2-3/8" OD TO 8-5/8" OD
LEG CONNECTION	BOLTED FLANGE
BRACE TYPE	ANGLE
BRACE SIZE RANGE	1-1/2" X 1-1/2" X 1/8" TO 3-1/2" X 3-1/2" X 1/4"
BRACE STYLE	X - BRACED
BRACE CONNECTION TYPE	BOLTED
ENGINEERING	PRE-ENGINEERED
CLIMBING APPLICATION	STEP BOLTS
TYPE OF LINE SUPPORTS CONSIDERED	N/A - ATTACH DIRECTLY TO BRACING MEMBERS
MAXIMUM SIDARM LENGTH	6'
MAXIMUM SIDARM LENGTH	3' (TWO MAXIMUM)

### Provide the Following for a Quote:

- Tower Height
- Tower Location/County
- Antenna Model or Loads
- Antenna Heights



## Lightweight Tower - DT

### Description

The DT Lightweight Tower is designed for a number of communication applications. Built with 1" solid round legs and 1/2" solid rod bracing, this pre-engineered tower provides strength and efficiency. The DT Lightweight tower is designed per /TIA 222 rev. G code and is rated for 90mph wind speed. This tower can achieve an overall height of 60 feet by using 10' increments .

### Tower Profile

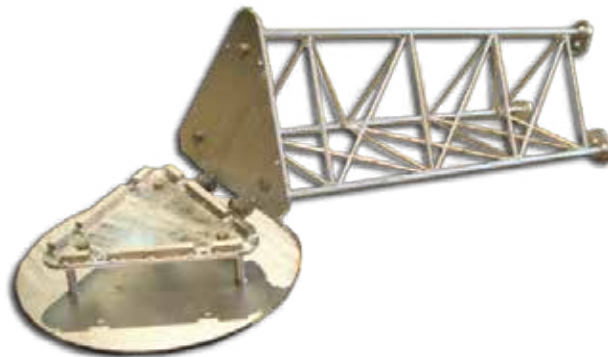
Load Location	Top
Maximum Height	60' Freestanding / 70' Bracketed*
Minimum Height	10' Freestanding / 20' Bracketed*
Standard 10' Section Weight	157 lbs
5' Base Section Weight	78.5 lbs
Leg Size	1"
Leg Type	Solid Round
Leg Connection	One Hole Bolted Flange
Bracing Type/Size	1/2" Solid Rod
Bracing Connection	100% Welded
Engineering	Pre-Engineered

### EPA Load Range

Design/ Length	Load
60 Feet	5.4 square feet w/ 4- 1/2" coax cables
50 Feet	11.6 square feet w/ 4- 1/2" coax cables
40 Feet	19.9 square feet w/ 4- 1/2" coax cables
30 Feet	33.5 square feet w/ 4- 1/2" coax cables



## Light Duty Tower with Hinged Base Plate & Standoff Frame



Part Number	Description
DTM10DSST	Lightweight Tower 10' Section 1" Solid Round Legs with 1/2" Solid Rod Bracing (157 lbs)
DTM5LDSSTB	Lightweight Tower Base 5' Section 1" Solid Round Legs with 1/2" Solid Rod Bracing (78.5 lbs)
DTM-LD-HDG	Light Duty Tower Hinged Base Plate
DT99560	Tower Mount Standoff Frame



## PART NUMBER INDEX

BG-2111	39	C10-166-302	17	C10-859-330	18	C10-981-223	19	C20-137-001	35
BG-2112	39	C10-166-303	17	C10-859-340	18	C10-981-225	19	C20-137-002	35
BG-2115	39	C10-166-304	17	C10-899-001	20	C10-981-403	19	C20-138-001	35
BG-2116	39	C10-169-001	9	C10-901-304	19	C10-981-404	19	C20-138-002	35
BG-2142	39	C10-171-304	4	C10-901-305	19	C10-981-405	19	C20-138-002	35
BG-2144	39	C10-171-304	5	C10-901-307	19	C10-981-406	19	C20-138-003	35
BG-2146	39	C10-171-304	7	C10-901-310	19	C10-981-407	19	C20-138-004	35
BG-2147	39	C10-172-101	9	C10-901-314	19	C10-981-408	19	C20-139-000	35
BG-2148	39	C10-172-102	9	C10-901-323	19	C10-981-410	19	C20-139-001	35
BG-MS-1035	39	C10-172-998	8	C10-901-324	19	C10-981-423	19	C20-139-003	35
BG-MS-7023	39	C10-172-999	8	C10-901-325	19	C10-981-501	19	C20-139-004	35
BG-MS-7047	39	C10-177-101	7	C10-902-004	10	C10-981-502	19	C20-139-005	35
C10-005-001	12	C10-177-102	7	C10-902-006	10	C10-981-503	19	C20-145-002	33
C10-005-002	12	C10-179-001	7	C10-902-011	10	C10-981-504	19	C20-145-004	33
C10-005-003	12	C10-179-002	7	C10-902-012	10	C10-981-508	19	C20-145-006	33
C10-005-004	12	C10-179-011	7	C10-902-013	10	C10-981-510	19	C20-145-101	33
C10-109-002	20	C10-179-012	7	C10-902-331	10	C10-981-512	19	C20-145-201	33
C10-110-300	20	C10-179-201	7	C10-902-997	10	C20-014-015	33	C20-150-101	36
C10-112-300	13	C10-179-201	8	C10-921-001	27	C20-014-016	33	C20-150-102	36
C10-112-300	15	C10-180-001	10	C10-981-202	19	C20-128-011	35	C20-159-002	27
C10-112-300	20	C10-180-101	10	C10-981-203	19	C20-128-015	35	C20-161-001	26
C10-112-301	13	C10-181-011	16	C10-981-204	19	C20-128-021	35	C20-161-002	26
C10-112-301	15	C10-181-013	16	C10-981-205	19	C20-128-025	35	C20-161-003	26
C10-112-301	20	C10-181-013	18	C10-981-206	4	C20-129-007	36	C20-162-001	27
C10-112-301	20	C10-181-014	16	C10-981-206	5	C20-129-008	36	C20-162-002	27
C10-113-200	16	C10-181-301	18	C10-981-206	6	C20-129-009	36	C20-162-003	27
C10-113-451	17	C10-201-001	26	C10-981-206	15	C20-129-010	36	C20-163-001	27
C10-113-452	17	C10-201-101	26	C10-981-206	16	C20-135-001	31	C20-163-002	27
C10-113-453	17	C10-202-001	26	C10-981-206	18	C20-135-002	31	C20-163-003	27
C10-113-505	17	C10-219-101	11	C10-981-206	19	C20-135-003	32	C20-165-002	26
C10-113-555	17	C10-220-010	25	C10-981-207	4	C20-135-004	31	C20-165-004	26
C10-114-000	13	C10-221-001	25	C10-981-207	5	C20-135-005	31	C20-165-006	26
C10-114-001	20	C10-221-002	25	C10-981-207	6	C20-135-006	32	C20-180-010	21
C10-114-002	20	C10-222-001	25	C10-981-207	15	C20-135-007	31	C20-180-020	21
C10-114-003	20	C10-222-101	25	C10-981-207	16	C20-135-008	31	C20-180-030	21
C10-114-004	20	C10-223-102	24	C10-981-207	18	C20-135-009	32	C20-180-100	21
C10-114-005	20	C10-223-110	24	C10-981-207	19	C20-135-010	31	C30-085-001	8
C10-114-006	20	C10-223-201	24	C10-981-208	19	C20-135-011	31	C30-085-002	8
C10-114-200	13	C10-224-001	24	C10-981-209	4	C20-135-012	32	C30-085-003	8
C10-114-300	13	C10-226-001	27	C10-981-209	5	C20-135-026	34	C30-085-102	8
C10-114-400	13	C10-301-002	24	C10-981-209	6	C20-135-027	34	C30-085-103	8
C10-114-999	13	C10-301-011	24	C10-981-209	15	C20-135-051	31	C30-138-001	23
C10-116-812	15	C10-302-001	24	C10-981-209	16	C20-135-052	31	C30-138-002	23
C10-116-813	15	C10-302-011	24	C10-981-209	18	C20-135-053	32	C30-138-003	23
C10-116-814	15	C10-851-001	15	C10-981-209	19	C20-135-054	31	C30-138-004	23
C10-120-301	20	C10-852-501	5	C10-981-210	4	C20-135-055	31	C30-138-005	23
C10-120-302	20	C10-852-531	5	C10-981-210	5	C20-135-056	32	C30-138-006	23
C10-120-303	20	C10-852-561	5	C10-981-210	6	C20-135-057	31	C30-138-008	23
C10-120-391	21	C10-852-591	5	C10-981-210	15	C20-135-058	31	C30-138-009	23
C10-138-007	23	C10-854-101	11	C10-981-210	16	C20-135-059	32	C30-138-010	23
C10-148-003	9	C10-856-001	16	C10-981-210	18	C20-135-060	31	C30-138-011	23
C10-149-006	11	C10-856-051	16	C10-981-210	19	C20-135-061	31	C30-138-012	23
C10-150-022	4	C10-856-201	16	C10-981-212	19	C20-135-062	32	C30-138-013	23
C10-150-023	4	C10-856-251	16	C10-981-213	19	C20-135-561	31	C30-138-014	23
C10-151-201	11	C10-856-401	16	C10-981-214	19	C20-136-021	32	C30-138-015	23
C10-151-202	11	C10-856-451	16	C10-981-215	19	C20-136-022	33	C30-138-016	23
C10-151-203	11	C10-856-601	16	C10-981-216	19	C20-136-023	32	C30-138-017	23
C10-151-204	11	C10-856-651	16	C10-981-222	4	C20-136-024	33	C30-138-018	23
C10-151-205	11	C10-856-801	16	C10-981-222	5	C20-136-025	32	C30-138-019	23
C10-151-902	11	C10-856-851	16	C10-981-222	6	C20-136-026	33	C30-138-020	23
C10-151-903	11	C10-857-011	6	C10-981-222	15	C20-136-027	32	C30-138-021	23
C10-151-904	11	C10-857-022	6	C10-981-222	16	C20-136-028	33	C30-904-161	12
C10-151-905	11	C10-857-111	6	C10-981-222	18	C20-136-061	32	C30-904-162	12
C10-151-906	11	C10-857-222	6	C10-981-222	19	C20-136-062	33	C30-904-248	12
C10-153-202	8	C10-859-301	18	C10-981-223	4	C20-136-063	32	C30-904-249	12
C10-153-204	8	C10-859-302	18	C10-981-223	5	C20-136-064	33	C30-904-250	12
C10-158-001	9	C10-859-303	18	C10-981-223	6	C20-136-065	32	C30-904-281	12
C10-158-100	9	C10-859-304	18	C10-981-223	15	C20-136-066	33	C30-904-282	12
C10-159-004	11	C10-859-310	18	C10-981-223	16	C20-136-067	32	C40-012-003	42
C10-166-301	17	C10-859-320	18	C10-981-223	18	C20-136-068	33	C40-012-004	42
								C40-012-012	42

C40-012-013	42	C40-034-024	41	C40-055-007	38	C40-100-020	37	DT99560	56
C40-012-015	42	C40-034-025	41	C40-055-008	38	C40-100-030	37	DTM5LDSSTB	56
C40-012-017	42	C40-034-026	41	C40-055-009	38	C40-101-004	36	DTM10DSST	56
C40-012-019	42	C40-034-028	41	C40-055-010	38	C40-101-005	36	DTM-LD-HDG	56
C40-012-021	42	C40-034-030	41	C40-055-011	38	C40-101-021	36	C30-904-001	50
C40-012-022	42	C40-034-032	41	C40-056-001	38	C40-101-022	36	C30-904-002	50
C40-012-023	42	C40-034-033	41	C40-056-002	38	C40-102-001	25	C30-904-023	50
C40-012-024	42	C40-034-034	41	C40-056-003	38	C40-204-100	10	C30-904-026	52
C40-012-025	42	C40-034-035	41	C40-056-004	38	C40-204-101	10	C30-904-027	52
C40-012-026	42	C40-034-036	41	C40-056-005	38	C40-204-112	10	C30-904-048	52
C40-012-027	42	C40-034-037	41	C40-056-006	38	CS00072	10	C30-904-051	51
C40-012-029	42	C40-034-038	41	C40-056-007	38	CS00428	10	C30-904-052	51
C40-012-031	42	C40-034-039	41	C40-056-008	38	CS03115	10	C30-904-064	53
C40-012-033	42	C40-034-040	41	C40-056-009	38	CS03116	10	C30-904-065	53
C40-012-035	42	C40-034-045	41	C40-056-010	38	CS03123	10	C30-904-076	50
C40-012-037	42	C40-034-046	41	C40-056-011	38	D213RRU	14	C30-904-151	51
C40-012-039	42	C40-034-047	41	C40-056-012	38	D215RRU	14	C30-904-151	53
C40-012-041	42	C40-034-048	41	C40-057-001	39	D218RRUDSM	14	C30-904-151	54
C40-012-043	42	C40-034-049	41	C40-057-002	39	D18700	12	C30-904-177	51
C40-012-044	42	C40-034-050	41	C40-057-003	39	D18701	12	C30-904-189	53
C40-013-001	42	C40-034-052	41	C40-057-004	39	D18702	12	C30-904-272	51
C40-013-002	42	C40-034-054	41	C40-057-005	39	D18702B	12	C30-904-276	53
C40-013-003	42	C40-034-056	41	C40-057-006	39	D18930	21	C30-904-276	54
C40-013-004	42	C40-034-139	41	C40-057-007	39	D18931	21	C30-904-301	51
C40-013-013	42	C40-034-140	41	C40-057-008	39	D19110	21	C30-904-301	53
C40-013-014	42	C40-034-143	41	C40-057-009	39	D19115	21	C30-904-326	51
C40-014-001	42	C40-039-001	40	C40-057-010	39	D19890	22	C30-904-331	53
C40-014-002	42	C40-039-002	40	C40-057-011	39	D19898	22	C30-904-351	51
C40-014-003	42	C40-039-003	40	C40-057-012	39	D19899	22	C30-904-801	54
C40-014-004	42	C40-039-004	40	C40-058-001	39	D19900	22	C30-904-802	54
C40-016-001	43	C40-039-005	40	C40-058-002	39	D19910	22	C30-904-823	54
C40-016-002	43	C40-039-006	40	C40-058-003	39	D19996	10	C30-904-851	54
C40-017-001	43	C40-044-001	22	C40-058-004	39	DLT-124D	28	XV-5037	27
C40-017-002	43	C40-044-002	22	C40-058-005	39	DLT-184D	28	XV-5038	27
C40-017-003	43	C40-044-SB45	22	C40-058-006	39	DLT-244D	28	Yellow	39
C40-017-004	43	C40-044-SB90SET	22	C40-058-007	39	DLT-45124D	28	Yellow	39
C40-017-005	43	C40-044-SBFL	22	C40-058-008	39	DLT-45184D	28		
C40-018-001	43	C40-051-001	39	C40-058-009	39	DLT-45244D	28		
C40-018-002	43	C40-051-002	39	C40-058-010	39	DLT-90124D	28		
C40-018-003	43	C40-051-003	39	C40-058-011	39	DLT-90184D	28		
C40-018-004	43	C40-051-004	39	C40-058-012	39	DLT-90244D	28		
C40-018-005	43	C40-051-005	39	C40-059-001	37	DLT-C12	28		
C40-019-001	43	C40-051-006	39	C40-059-002	37	DLT-C18	28		
C40-019-002	43	C40-051-007	39	C40-059-003	37	DLT-C24	28		
C40-019-003	43	C40-051-008	39	C40-059-004	37	DLT-C4512	28		
C40-019-004	43	C40-051-009	39	C40-059-005	37	DLT-C4518	28		
C40-019-005	43	C40-052-001	40	C40-059-006	37	DLT-C4524	28		
C40-020-010	43	C40-052-002	40	C40-059-007	37	DLT-C9012	28		
C40-020-011	43	C40-052-003	40	C40-059-008	37	DLT-C9018	28		
C40-020-012	43	C40-052-004	40	C40-059-009	37	DLT-C9024	28		
C40-020-013	43	C40-052-005	40	C40-059-010	37	DLT-CHT12	29		
C40-020-014	43	C40-052-006	40	C40-059-011	37	DLT-CHT18	29		
C40-021-001	43	C40-052-007	40	C40-059-012	37	DLT-CHT24	29		
C40-021-002	43	C40-052-008	40	C40-083-001	38	DLT-CHX12	29		
C40-021-003	43	C40-052-009	40	C40-083-002	38	DLT-CHX18	29		
C40-021-004	43	C40-053-001	40	C40-083-003	38	DLT-CHX24	29		
C40-021-005	43	C40-053-002	40	C40-083-004	38	DLT-CVB12	29		
C40-023-002	26	C40-053-003	40	C40-083-005	38	DLT-CVB18	29		
C40-023-002	26	C40-053-004	40	C40-083-006	38	DLT-CVB24	29		
C40-023-002	26	C40-053-005	40	C40-083-007	38	DLT-HT12	29		
C40-023-003	25	C40-053-006	40	C40-100-010	37	DLT-HT18	29		
C40-034-005	41	C40-053-007	40	C40-100-011	37	DLT-HT24	29		
C40-034-011	41	C40-053-008	40	C40-100-012	37	DLT-HX12	29		
C40-034-013	41	C40-053-009	40	C40-100-013	37	DLT-HX18	29		
C40-034-014	41	C40-055-001	38	C40-100-014	37	DLT-HX24	29		
C40-034-015	41	C40-055-002	38	C40-100-015	37	DLT-SS4D	29		
C40-034-016	41	C40-055-003	38	C40-100-016	37	DLT-VB12	29		
C40-034-017	41	C40-055-004	38	C40-100-017	37	DLT-VB18	29		
C40-034-018	41	C40-055-005	38	C40-100-018	37	DLT-VB24	29		
C40-034-022	41	C40-055-006	38	C40-100-019	37	DLT-VS4D	29		
C40-034-023	41								

**Rosenberger Site Solutions, LLC (“RSS”)**  
**“Terms and Conditions of Purchase”**  
**P.O. Box 4268, Lake Charles, Louisiana 70606-4268**  
**Phone: (337)-598-5250 Fax: (337)-598-5290**

RSS strives to provide first class customer service to purchasers of our products and services. Whether products are ordered on line or in person we work with our Customers to meet their commitments and to complete the transaction as quickly as possible. Our goal is to provide complete customer satisfaction.

**Prices and Shipping:** Orders are shipped at the lower of current or quoted prices. RSS reserves the right to correct any typographical errors in its catalog or on RSS's web site, located at [www.rlss.us](http://www.rlss.us). RSS further reserves the right to accept or reject an order at its discretion. RSS shall make all Products available to Customer's authorized transportation carrier if specified in the Order. If a transportation carrier is not specified in the Order, RSS will ship the Products using a carrier of its choice. RSS will use commercially reasonable efforts to secure delivery of the Product on or before the date or dates set forth on the accepted Order. Unless otherwise expressly specified in the Order for all domestic shipments, within the United States of America, Customer shall pay the shipping charges, and accept the risk of loss from RSS's location(s) (defined as "FOB Origin"). All claims for loss and damage shall be filed and processed by the Customer with the transportation carrier upon receipt of the Products at the designated site. Title to and risk of loss and damage to the Products shall pass to Customer immediately upon delivery of the Products either to a common carrier, or to an employee or other agent of Customer, at Supplier's facility.

**Payment Terms/Credit:** Except as otherwise provided in a specific accepted order, all payments will be due within thirty (30) days after invoice date. Any amounts not paid when due shall thereafter bear interest until paid at the lesser of (i) one point five percent (1.5%) per month, or (ii) the maximum rate allowed by applicable law. Should Purchaser dispute the invoice or portion thereof, Purchaser shall be obligated to pay all undisputed amounts within the thirty (30) day payment period. Purchaser agrees to pay RSS all cost of collections including but not limited to reasonable attorney's fees, collection fees and court costs incurred by RSS to collect properly due payments. Credit limits shall be determined and modified at the sole discretion of RSS. In the event that Customer is delinquent in payment, RSS may suspend any shipment or delivery or refuse to perform any work until all past due amounts, including finance charges, have been paid in full.

**Taxes:** Prices do not include any municipal, state or federal sales, use, excise, value added or similar taxes. Therefore, in addition to prices specified, the amount of any present or future tax that may be imposed shall be paid by Buyer, or in lieu thereof Buyer will provide Seller with a tax exemption certificate acceptable to the taxing authorities.

**Warranties:** RSS DOES NOT WARRANT THAT ANY INFORMATION, COMPUTER PROGRAM, RSS'S EFFORTS OR ANY PRODUCTS OR SERVICES PROVIDED BY RSS WILL FULFILL ANY OF CUSTOMER'S PARTICULAR PURPOSES OR NEEDS, NOR DOES RSS WARRANT THAT THE OPERATION OF THE PRODUCTS WILL BE UNINTERRUPTED OR ERROR-FREE. NO WARRANTIES OR REPRESENTATIONS, EXPRESSED OR IMPLIED, ARE MADE BY RSS TO CUSTOMER, INCLUDING ANY IMPLIED WARRANTIES OF MERCHANTABILITY OR FITNESS FOR A PARTICULAR PURPOSE, WHICH ARE SPECIFICALLY EXCLUDED.

**Limitation of Liability:** IN NO EVENT SHALL RSS BE LIABLE FOR ANY INDIRECT, INCIDENTAL, CONSEQUENTIAL, SPECIAL, PUNITIVE OR EXEMPLARY DAMAGES OR LOSSES, INCLUDING LOSS OF USE, LOSS OF OR DAMAGE TO RECORDS OR DATA, COST OF PROCUREMENT OF SUBSTITUTE GOODS, SERVICES OR TECHNOLOGY, REVENUE AND/OR PROFITS, SUSTAINED OR INCURRED REGARDLESS OF THE FORM OF ACTION, WHETHER IN CONTRACT, TORT OR OTHERWISE, INCLUDING NEGLIGENCE, STRICT LIABILITY, INDEMNITY OR OTHERWISE, AND WHETHER OR NOT SUCH DAMAGES WERE FORESEEN OR UNFORESEEN AND REGARDLESS OF WHETHER SUCH PARTY HAD RECEIVED NOTICE OR HAD BEEN ADVISED, OR KNEW OR SHOULD HAVE KNOWN, OF THE POSSIBILITY OF SUCH DAMAGES OR LOSSES.

**Returns:** Customer may submit a request for return of Product(s) once Product(s) have been delivered to a common carrier, or to an employee or other agent of Customer, to the RSS facility within seven (7) days after receipt or if the Product becomes inoperative during the warranty period for such Product. All requests by Customer to return Products within that period must be submitted in writing to RSS utilizing the RSS Material Return Authorization Form ("RMA"). RSS shall, at its sole option, either accept or reject the Customer's return of Products. All returned defective Products must be in the original packaging, unless the Product packaging was damaged and cannot be used to return such Products to RSS. Products authorized to be returned without a defect must be unopened and in original packages and may be (at RSS's sole discretion) subject to a restocking fee as further identified in the RSS Terms and Conditions of Purchase (which is available on the RSS web site at [www.rlss.us](http://www.rlss.us) or a copy may be requested in writing at the address on this page).

**ORDERS:** PLACING AN ORDER WITH RSS THROUGH OUR CATALOG CONSTITUTES ACCEPTANCE OF THE MOST CURRENT TERMS AND CONDITIONS OF SALE STATED HEREIN OR AS PUBLISHED ON RSS'S WEBSITE [WWW.RLSS.US](http://WWW.RLSS.US) AT THE TIME OF SALE. SUCH TERMS AND CONDITIONS MAYBE AMENDED OR CHANGED FROM TIME TO TIME WITHOUT NOTICE. NO MODIFICATION OF THESE TERMS AND CONDITIONS ARE BINDING ON RSS WITHOUT ITS EXPRESSLY WRITTEN APPROVAL. THE LAWS OF THE STATE OF LOUISIANA APPLY TO ALL ORDERS PLACED WITH RSS.

# Contact Information and Locations

## Rosenberger

Rosenberger Site Solutions, LLC

P.O. Box 4268  
Lake Charles, LA 70606

Tel: 337-598-5250 | E-Mail: [rlss@rlss.us](mailto:rlss@rlss.us)

Fax: 337-598-5290 | Web: [www.rlss.us](http://www.rlss.us)



### Central Location

Headquarters  
102 Dupont Drive  
Lake Charles, LA 70607  
Tel: (337) - 598 5250  
Fax: (337) - 598 5290

### East Coast Location

Charlotte Metro Area  
205 Quantz Dr.  
Rock Hill, SC 29730  
Tel: (803) - 233 3208  
Fax: (803) - 233 2698

### West Coast Location

Salt Lake City Area  
1250 S. 3600 W.  
Salt Lake City, UT 84104  
Tel: (801) - 972 3525  
Fax: (801) - 886 3215

### Canadian Location

5690 Ambler Dr.  
Mississauga, Ontario  
L4W 2K9  
Tel: (289) - 628 2885  
Fax: (905) - 212 9115

Call: 1(866) 598 5250 or visit [www.RLSS.us](http://www.RLSS.us)