

TVSS V

TOYOTA VEHICLE SECURITY SYSTEM

ELECTRICAL WIRING DIAGRAM

for

Avensis

PART NUMBER

MAIN KIT	08585-05810
FITTING KIT	08586-05810
GLASS BREAKAGE SENSOR KIT	08192-05810
RADAR SENSOR	08192-1E890
SIREN KIT	08192-13810

FOR ****T25*L**

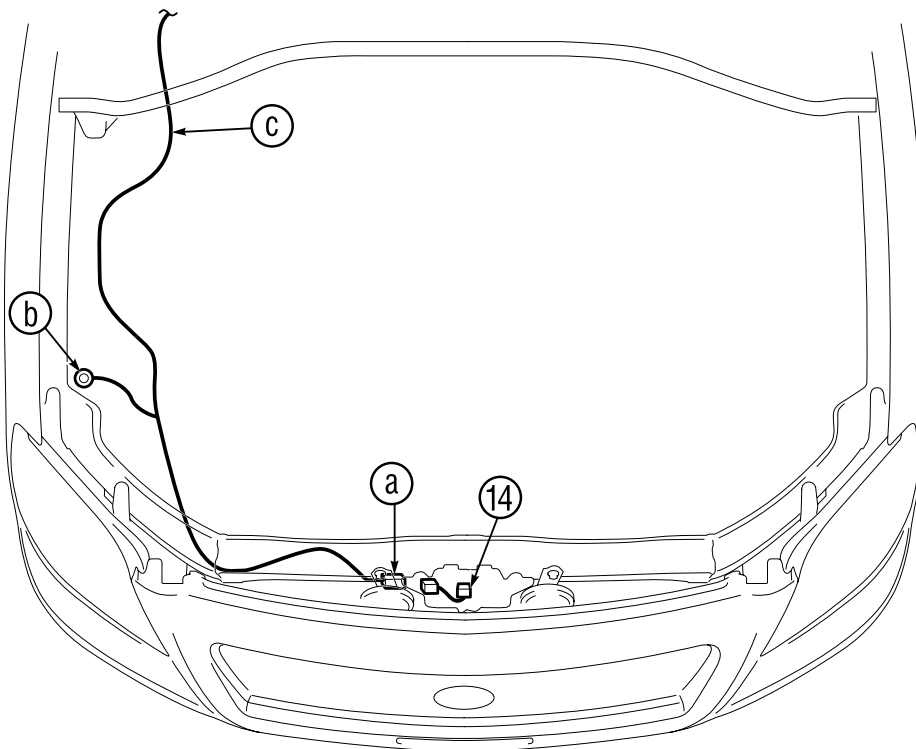
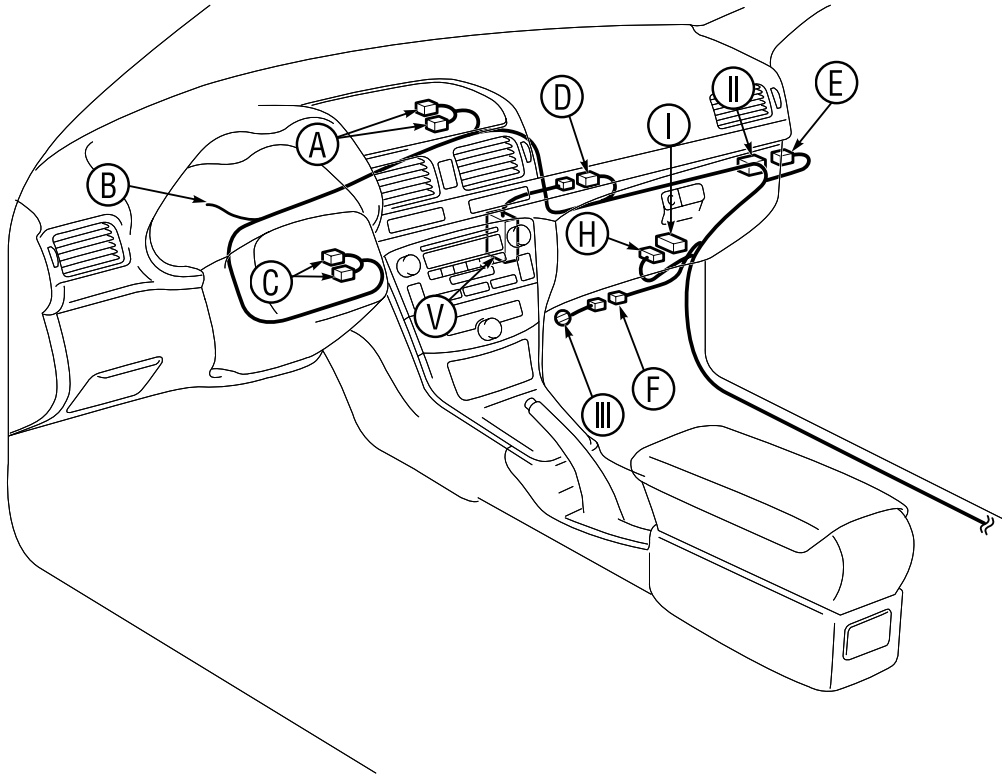
LHD



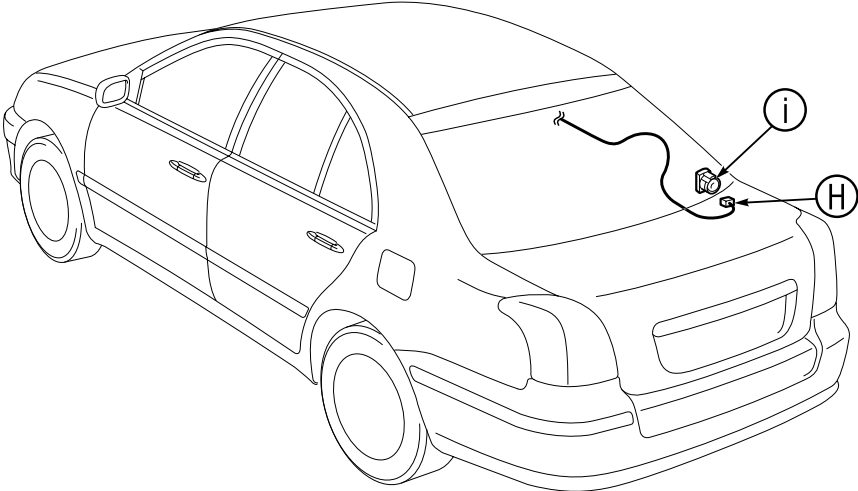
SYSTEM LAYOUT AND WIRE HARNESS OUTLINE



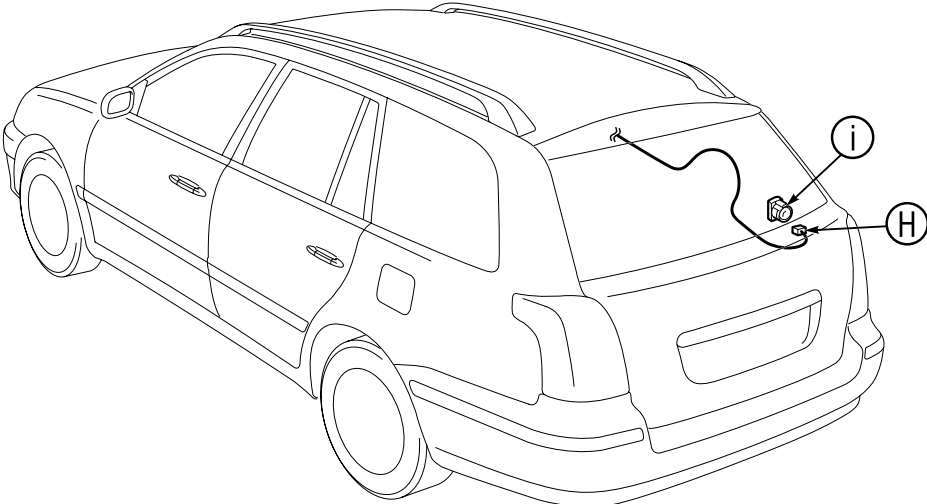
ALL MODELS



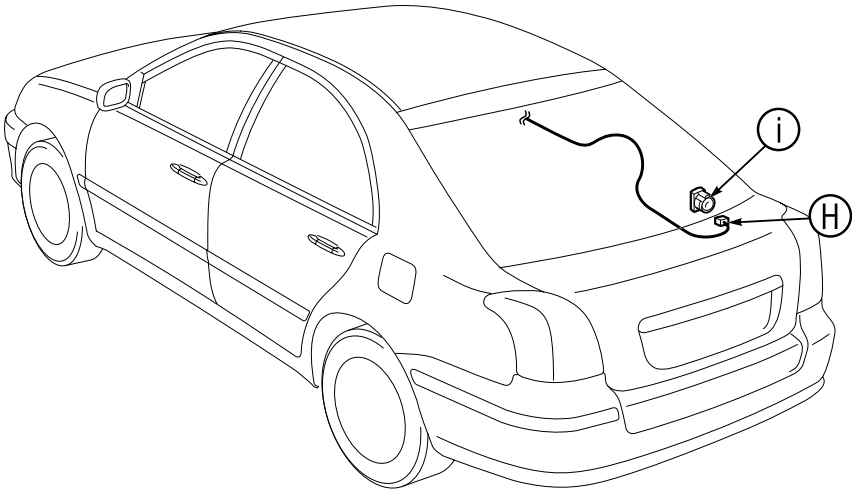
SEDAN



WAGON

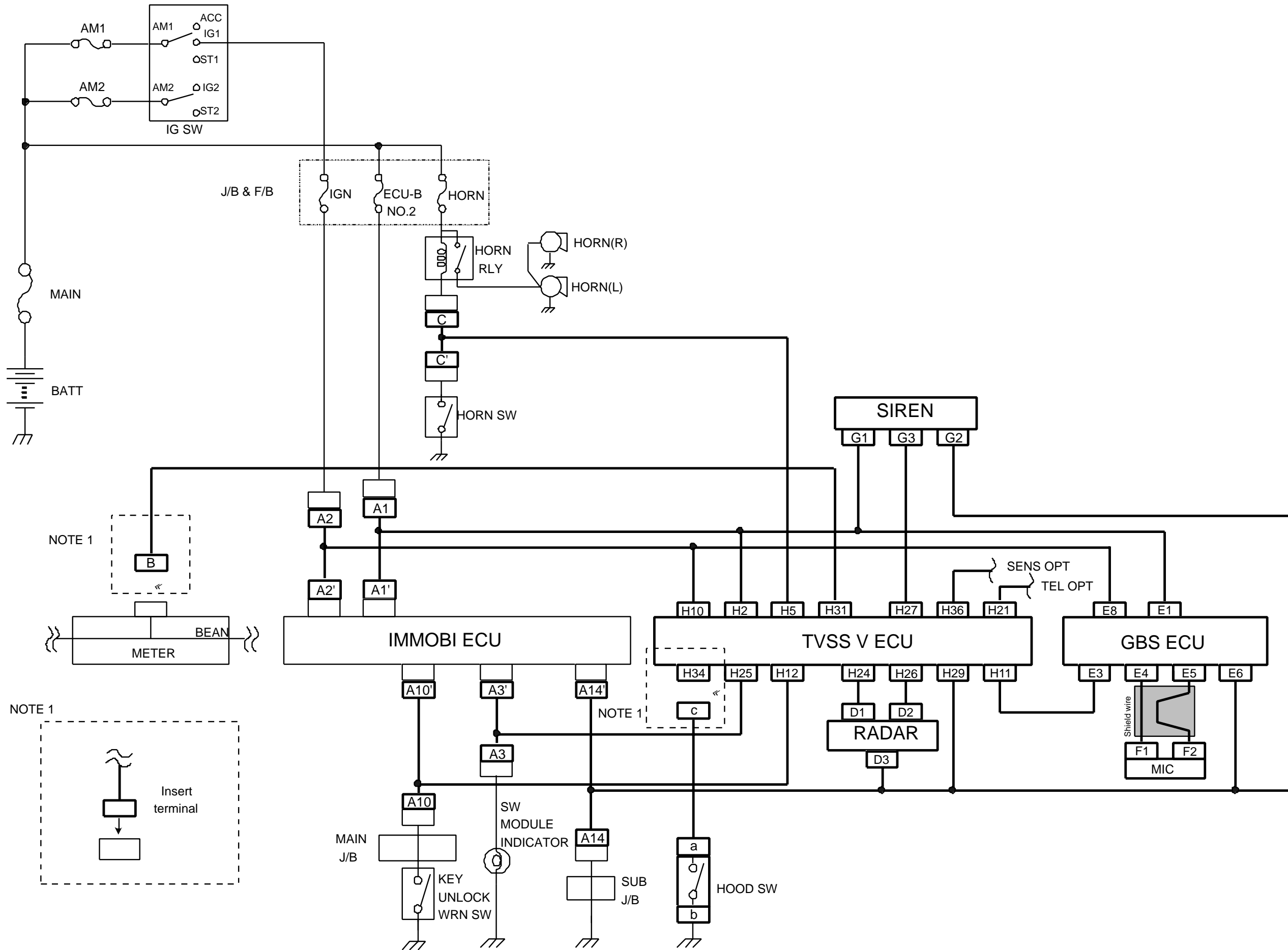


LIFT BACK

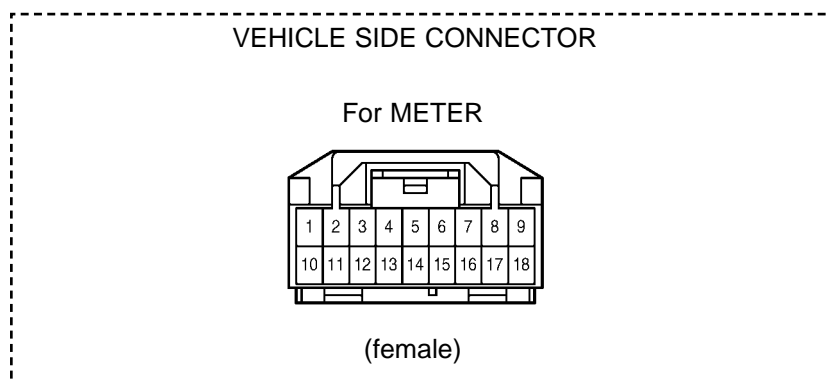
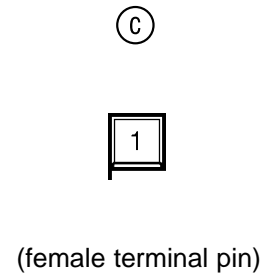
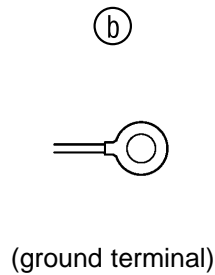
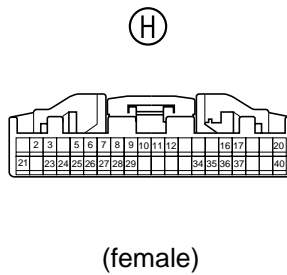
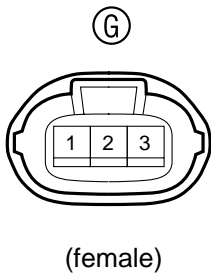
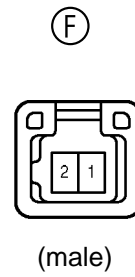
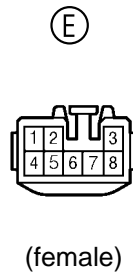
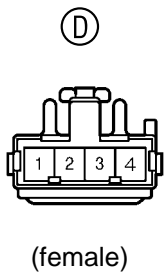
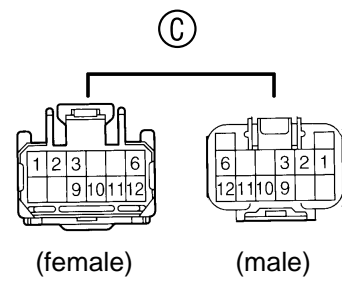
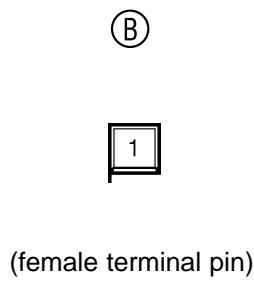
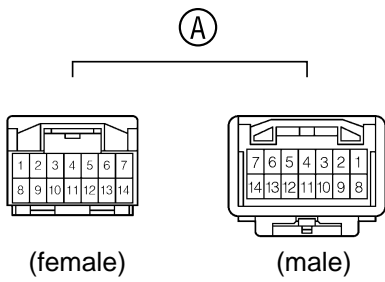


Ⓐ	Vehicle's ECU connector (14P female and male white)
Ⓑ	MPX terminal wire (yellow)
Ⓒ	Horn connector (12P female and male white)
Ⓓ	Radar sensor connector (4P female white)
Ⓔ	Glass breakage control unit connector (8P female white)
Ⓕ	Microphone connector (2P male white)
Ⓖ	Siren connector (3P female black)
Ⓗ	TVSS ECU connector (40P female white)
ⓐ	Hood switch connector (2P female black)
ⓑ	Ground terminal
ⓒ	Hood signal terminal wire (red)
Ⓘ	TVSS ECU
Ⓢ	Glass breakage control unit
Ⓜ	Microphone
⒱	Radar sensor
Ⓢ	Siren
Ⓣ	Hood switch

ELECTRICAL WIRING DIAGRAM OF TVSS V FOR AVENSIS LHD



CONNECTOR ARRANGEMENT OF THE TVSS FITTING KIT (PIN VIEW) 



NOTES



A series of horizontal dotted lines spanning the width of the page, intended for handwritten notes.

TOYOTA MOTOR CORPORATION

