

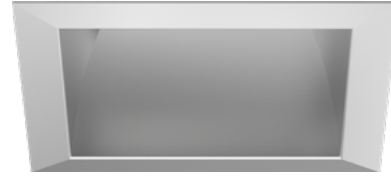
LTR-4SQD

LITEISTRY 4" SQUARE DOWNLIGHT

LITEISTRY™

FEATURES

- 4" architectural LED downlight delivering 600 – 4000 lm
- Five beam distributions from 0.4 to 1.2 Spacing Criteria
- Quiet reflector appearance with superior 50° optical cutoff
- 2700K – 5000K, 80+ and 90+ CRI options
- Available in New Construction (non-IC), IC and Chicago Plenum applications
- Variety of dimming protocol options including 0–10V, DALI, DMX, Lutron Forward Phase, and EcoSystem
- NX Distributed Intelligence™ wired and wireless controls capability available



RELATED PRODUCTS

- [LTR-4SQD SpectraSync](#)
- [LTR-4SQDPH PowerHUBB](#)
- [4" LITEISTRY Family](#)

SERVICE PROGRAMS



CONTROL TECHNOLOGY



SPECIFICATIONS

CONSTRUCTION

- Standard Non-IC, Chicago Plenum and IC options
- New Construction: Painted black durable steel platform with pre-installed bar hangers
- Pre-wired junction box with snap-on covers for easy access
- Snap-in connection from driver compartment allows easy installation
- Light Engine connections use plenum rated (CMP) cable

OPTICS

- Visually pleasing 50° cutoff to source and source image
- The light distribution is free of distracting bright spots or pixelation and the perimeter has a smooth transition
- Optical grade silicone lens integral to light engine
- High purity four-panel aluminum reflector, self-flanged
- Flush Mount flange option with mud-in ring available
- Large selection of anodized finishes and colors
- Painted cones and flange options available

ELECTRICAL

- Chip-on-board (COB) LED with 2 SDCM
- Multiple CCTs, 80+ or 90+ CRI
- Long LED life: L90 at >55,000 hours (TM-21)
- Universal voltage 120V–277V driver, 347V optional
- UL Class 2, inherent short circuit and overload protection, RoHS compliant
- Flicker free 0–10V dimming with 1% or < 1% performance
- DALI, DMX, and Lutron Forward Phase and EcoSystem options
- NX or Lutron Vive control options available
- Integral and remote emergency controller and battery pack options available
- Refer to additional spec sheets for information on SpectraSync™ Tunable White or Dim-to-Warm or [PowerHUBB™ PoE enabled](#) solutions

INSTALLATION

- Accommodates ceiling thicknesses up to 1.25"
- Universal adjustable mounting brackets also accept ½" EMT conduit or ½" or ¾" lathing channel (by others) or Prescolite accessory bar hangers (B24 or B6)
- Light Engine/Driver fully serviceable from above or below the ceiling

CERTIFICATIONS

- cCSAus certified to UL 1598
- Suitable for wet locations, covered ceiling, EM/EMR: Suitable for damp locations.
- Approved for 8 (4 in/4 out) No. 12AWG conductors rated for 90°C through wiring
- EM/EMR: Certified under UL 924 standard for emergency lighting and power equipment
- ENERGY STAR® certified models available. (See list and additional information on [page 8](#).)
- This product qualifies as a "designated country construction material" per FAR 52.225-11 Buy American-Construction. Materials under Trade Agreements effective 6/6/2020. See [Buy American Solutions](#).

WARRANTY

- 5 year warranty
- See [HLI Standard Warranty](#) for additional information

| KEY DATA | |
|----------------------|---------------|
| Lumen Range | 600–4000 |
| Wattage Range | 8–52 |
| Efficacy Range (LPW) | 89–99* |
| Life (Hours) | L90 / >55,000 |
| Input Current (mA) | 67-433 (120V) |

* Based on Specular, 35K, 80 CRI

LTR-4SQD

LITEISTRY 4" SQUARE DOWNLIGHT

DATE: _____ LOCATION: _____

TYPE: _____ PROJECT: _____

CATALOG #: _____

= Service Program



Click icons for a list of Stocked or Quick-Ship options

ORDERING GUIDE

Example: LTR-4SQD-H-SL10L-DM1-LTR-4SQD-T-SL35K8MD-SS

CATALOG #

HOUSING

| LTR-4SQD-H | | Lumen Package | | Lumen Output | | Driver Options | | Control Options | | Voltage | | Housing Options | |
|--|--|---------------|----------------|--------------|------|----------------|--|-----------------|--|--|---|-----------------|--|
| Aperture/Shape/Function | | SL | Standard Lumen | 06L | 600 | DM1 | 0-10V Dimming to 1% | NXE | NX, Dual SmartPORTs ⁴ | <i>Standard</i> 120-277V | | CP | Chicago Plenum ^{1,9} |
| LTR-4SQD-H 4" Square Downlight New Construction Housing | | | | 10L | 1000 | DM01 | 0-10V Dimming to < 1% | NXWE | NX Wireless Enabled ⁴ | 34 | 347V ⁸ | IC | IC rated ^{1,10} |
| | | | | 15L | 1500 | DMX | DMX with RDM dimming to < 0.1% ³ | | | | | NXWD | NX Wireless, Dual SmartPORTs ⁴ |
| | | ML | Medium Lumen | 20L | 2000 | DALI | DALI Dimming to 1% | LV | Lutron Vive Enabled, 0-10V (requires 0-10V driver) | EMR | Emergency Battery Pack with remote test switch and indicator light ¹ | | |
| | | | | 25L | 2500 | 2DM | Lutron Hi-Lume 2-wire Dimming to 1% (120V Forward Phase only) ³ | | | | | LVE | Lutron Vive Enabled, EcoSystem, (requires EDM) |
| | | | | 30L | 3000 | EDM | Lutron Hi-Lume EcoSystem Dimming to 1% ³ | | | | | | |
| | | HL | High Lumen | 35L | 3500 | | | | | GTD | Generator Transfer Device ¹ | | |
| | | | 40L | 4000 | | | | | DTS | Device Transfer Switch with Dimming Bypass ^{1,11} | | | |
| | | | | | | | | | F | Fuse ¹ | | | |

TRIM

| LTR-4SQD-T | | Lumen Package | | CCT | | CRI | | Distribution | | Reflector Finish | |
|--|--|---------------|----------------|------------|--------------------|-----------|---------------------|--------------|--|---|---------------|
| Aperture/Shape/Function | | SL | Standard Lumen | 27K | 2700K | 8 | 80+CRI | VNR | Very Narrow (0.4 SC/23°) ¹² | <i>Finish not applicable with painted reflectors (WC or BC)</i> | |
| LTR-4SQD-T 4" Square Downlight Light Engine/Trim Assembly | | ML | Medium Lumen | 30K | 3000K | 9 | 90+CRI | NR | Narrow (0.6 SC/37°) | S | Specular |
| | | HL | High Lumen | 35K | 3500K | MD | Medium (0.8 SC/46°) | WD | Wide (1.0 SC/60°) | SS | Semi-Specular |
| | | | | 40K | 4000K | | | XW | Extra Wide (1.2 SC/69°) | VS | Softglow® |
| | | | | 50K | 5000K ² | | | VSS | SoftSheen™ | | |

TRIM CONTINUED

| Reflector Color | | Flange Color Options | | Lower Trim Options | | Reflector Options | |
|-----------------------|-------------------------------|---|---------------------------|--------------------|---|-------------------|------------------------------------|
| <i>Standard Clear</i> | | <i>Standard matches reflector color</i> | | EM | Pre-punched Reflector for Integral Switch | AM | Antimicrobial Coating ⁶ |
| CG | Champagne Gold | WT | White Flange ⁵ | FM | Flush Mount Mud-in Ring ⁷ | | |
| BL | Black | BT | Black Flange ⁵ | | | | |
| LW | Light Wheat | | | | | | |
| PW | Pewter | | | | | | |
| WC | Painted White Cone and Flange | | | | | | |
| BC | Painted Black Cone and Flange | | | | | | |

Accessories

- B24** Set of two (2) 24" bar hangers for T-bar ceilings
- B6** Set of two bar hangers for ceiling joist up to 24" centers
- FMR4-SQ** Flush Mount Flange Mud-In Ring, 4" Square
- LiteGear** LiteGear® Inverter, 125VA-250VA
- LPS Series** LightPower Micro-Inverter, 20VA-55VA
- MOR4-SQ-WH** Metal Oversized Ring, 4" Square, White (8.25" outer dimension)
- MOR4-SQ-BL** Metal Oversized Ring, 4" Square, Black (8.25" outer dimension)

Notes:

- 1 Housing options (except Fuse) not available in combination
- 2 5000K available in 80+ CRI only
- 3 2DM, EDM, DMX available in 10L-35L
- 4 NX requires DM1 driver option
- 5 WT not needed for WC; BT not needed for BC.
- 6 AM available with WC or Specular Clear (S or SWT). Consult factory for other colors.
- 7 Flush Mount Flange (FM) requires FMR accessory (sold separately)
- 8 347V requires DM1 driver option; not available in 06L or with Controls, F, DTS, GTD, or EMR.
- 9 CP available up to 20L; not available with DMX, Controls, or EMR options
- 10 IC available up to 20L; not available with Control options
- 11 DTS available with DM1, DM01, DALI, or EDM; not available with LVE.
- 12 VNR available up to 30L.



LTR-4SQD

LITEISTRY 4" SQUARE DOWNLIGHT

| | |
|------------|-----------|
| DATE: | LOCATION: |
| TYPE: | PROJECT: |
| CATALOG #: | |

CONTROLS

NX Distributed Intelligence™ Lighting Controls:

Supports applications in a variety of deployment options- wired, wireless, hybrid. Integrates with and enables a wide array of luminaires including those with SpectraSync™ Color Tuning Technology.



| NX INTEGRATED CONTROLS REFERENCE | | | | | | | | |
|--------------------------------------|--------|-------------|------------|-----------|---------------------|---------------|----------------|---|
| NX Option | Sensor | Networkable | Scheduling | Occupancy | Daylight Harvesting | 0-10V Dimming | On/off Control | Bluetooth® App Programming |
| NX Networked – Wired | | | | | | | | |
| NXE | N/A | Yes | Yes | No | No | Yes | Yes | Requires NXBTC/R ¹ |
| NX Networked – Wireless | | | | | | | | |
| NXWE ² | N/A | Yes | Yes | No | No | Yes | Yes | No ³ |
| NX Networked – Wired/Wireless | | | | | | | | |
| NXWD | N/A | Yes | Yes | No | No | Yes | Yes | Requires NXBTC/R ^{1,3} |

- 1 NXBTC/R needs to be plugged into an available NX SmartPort™ on the fixture network
- 2 Programming via App requires factory assistance
- 3 To program NXWE option, need to consult factory. If connected to an area controller, programming can be done from that

PERFORMANCE DATA TABLE

Performance data provided below is for 3500K, 80 CRI with Specular Clear reflector finish/color

| Lumen Package | Nominal Lumens | Distribution | Delivered Lumens | Watts | LPW |
|---------------|----------------|--------------|------------------|-------|-----|
| 06L | 600 | Very Narrow | 705 | 8.2 | 86 |
| | | Narrow | 796 | 7.8 | 102 |
| | | Medium | 764 | 7.8 | 98 |
| | | Wide | 678 | 7.8 | 87 |
| | | Extra Wide | 643 | 7.8 | 82 |
| 10L | 1000 | Very Narrow | 1158 | 12.5 | 92 |
| | | Narrow | 1273 | 12.0 | 106 |
| | | Medium | 1222 | 12.0 | 102 |
| | | Wide | 1085 | 12.0 | 90 |
| | | Extra Wide | 1028 | 12.0 | 86 |
| 15L | 1500 | Very Narrow | 1663 | 18.0 | 92 |
| | | Narrow | 1821 | 18.6 | 98 |
| | | Medium | 1748 | 18.6 | 94 |
| | | Wide | 1552 | 18.6 | 83 |
| | | Extra Wide | 1471 | 18.6 | 79 |
| 20L | 2000 | Very Narrow | 2090 | 23.3 | 90 |
| | | Narrow | 2237 | 22.7 | 99 |
| | | Medium | 2209 | 22.7 | 97 |
| | | Wide | 2081 | 22.7 | 92 |
| | | Extra Wide | 2026 | 22.7 | 89 |
| 25L | 2500 | Very Narrow | 2520 | 29.6 | 85 |
| | | Narrow | 3029 | 27.8 | 109 |
| | | Medium | 2907 | 27.8 | 105 |
| | | Wide | 2580 | 27.8 | 93 |
| | | Extra Wide | 2446 | 27.8 | 88 |
| 30L | 3000 | Very Narrow | 2944 | 37.0 | 80 |
| | | Narrow | 3636 | 34.6 | 105 |
| | | Medium | 3490 | 34.6 | 101 |
| | | Wide | 3097 | 34.6 | 90 |
| | | Extra Wide | 2936 | 34.6 | 85 |

LTR-4SQD

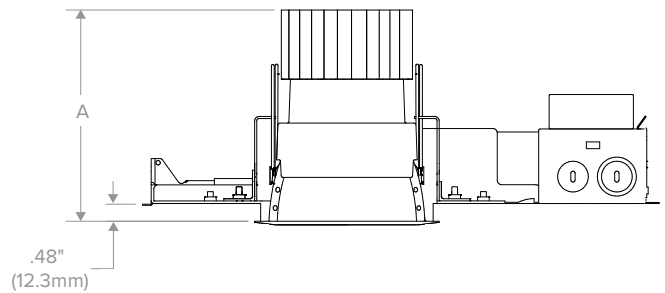
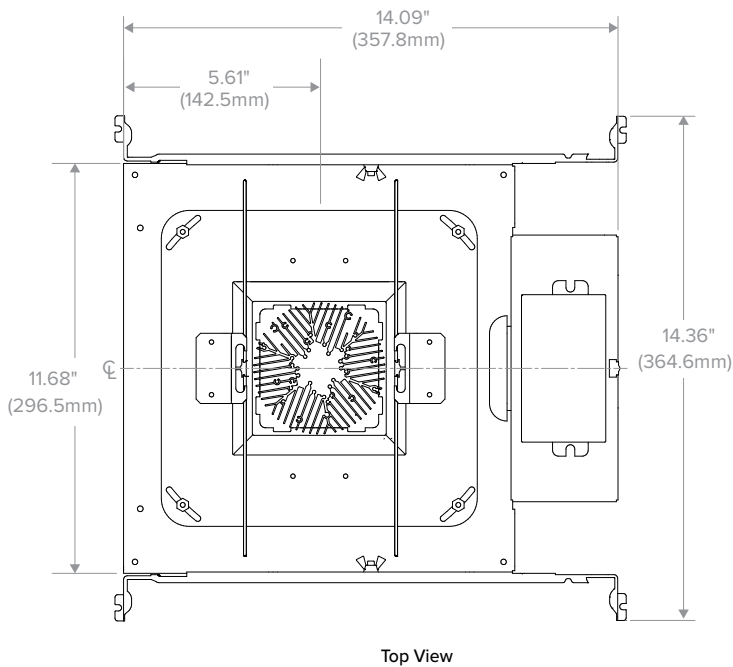
LITEISTRY 4" SQUARE DOWNLIGHT

PERFORMANCE DATA TABLE CONTINUED

Performance data provided below is for 3500K, 80 CRI with Specular Clear reflector finish/color

| Lumen Package | Nominal Lumens | Distribution | Delivered Lumens | Watts | LPW |
|---------------|----------------|--------------|------------------|-------|-----|
| 35L | 3500 | Narrow | 4343 | 42.9 | 101 |
| | | Medium | 4169 | 42.9 | 97 |
| | | Wide | 3700 | 42.9 | 86 |
| | | Extra Wide | 3507 | 42.9 | 82 |
| 40L | 4000 | Narrow | 4957 | 51.5 | 96 |
| | | Medium | 4758 | 51.5 | 92 |
| | | Wide | 4222 | 51.5 | 82 |
| | | Extra Wide | 4003 | 51.5 | 78 |

DIMENSIONS



| Dimensional Data | | |
|-------------------|-------------|-----------------------------------|
| Aperture | | 4.00" (101.6mm) SQ |
| Flange | Standard | 5.25" (133.4mm) SQ |
| | Flush Mount | 4.69" (119.1mm) SQ |
| Ceiling Cutout | Standard | 5.00" (127.0mm) SQ |
| | Flush Mount | 5.00" (127.0mm) SQ |
| Ceiling Thickness | | 0.50" to 1.25" (12.7mm to 31.8mm) |

| Lumen Package | "A" |
|---------------|-----------------|
| 06L-15L | 4.83" (122.7mm) |
| 20L-30L | 6.02" (152.9mm) |
| 35L-40L | 7.20" (182.9mm) |

LTR-4SQD-H New Construction

LTR-4SQD

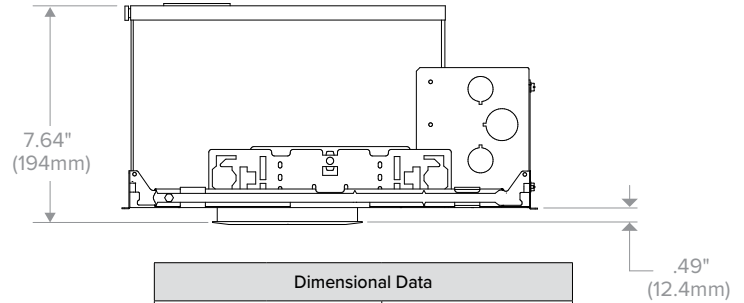
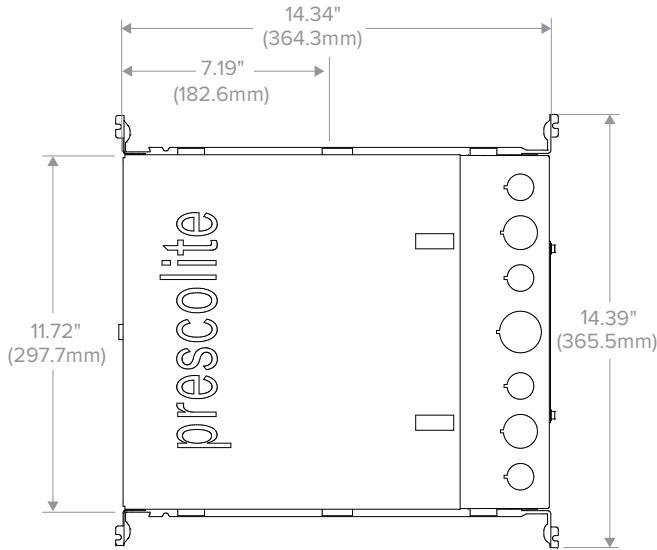
LITEISTRY 4" SQUARE DOWNLIGHT

DATE: _____ LOCATION: _____

TYPE: _____ PROJECT: _____

CATALOG #: _____

DIMENSIONS CONTINUED



| Dimensional Data | | |
|-------------------|-------------|-----------------------------------|
| Aperture | | 4.00" (101.6mm) SQ |
| Flange | Standard | 5.25" (133.4mm) SQ |
| | Flush Mount | 4.69" (119.1mm) SQ |
| Ceiling Cutout | Standard | 4.75" (120.7mm) SQ |
| | Flush Mount | 5.00" (127.0mm) SQ |
| Ceiling Thickness | | 0.50" to 1.25" (12.7mm to 31.8mm) |

LTR-4SQD-H IC/CP

PHOTOMETRY

LTR-4SQD-H-ML20L-DM1 / LTR-4SQD-T-ML35K8VNR-S

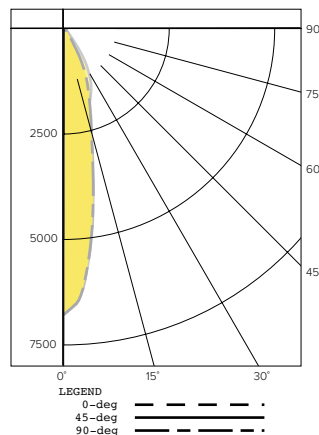
LUMINAIRE DATA

| | |
|-------------------|-------------------------------------|
| Test No. | 20.01214 |
| Description | 2000 lm, Very Narrow, 3500K, 80 CRI |
| Delivered Lumens | 2090 |
| Watts | 23.3W |
| Efficacy | 90 |
| Mounting | Recessed |
| Spacing Criterion | 0.4 |
| Beam Angle (FWHM) | 23 |

ZONAL LUMEN SUMMARY

| Zone | Lumens | % Luminaire |
|-------|--------|-------------|
| 0-40 | 1994 | 95.4 |
| 0-60 | 2083 | 99.6 |
| 0-90 | 2090 | 100.0 |
| 0-180 | 2090 | 100.0 |

POLAR GRAPH



CANDELA DISTRIBUTION

| Degree | Candela - 0 | Candela - 45 | Candela - 90 |
|--------|-------------|--------------|--------------|
| 0 | 6726 | 6726 | 6726 |
| 5 | 5842 | 5834 | 5819 |
| 15 | 2473 | 2412 | 2440 |
| 25 | 1158 | 1490 | 1150 |
| 35 | 199 | 626 | 199 |
| 45 | 110 | 133 | 110 |
| 55 | 17 | 21 | 17 |
| 65 | 5 | 5 | 4 |
| 75 | 2 | 2 | 2 |
| 85 | 0 | 0 | 0 |
| 90 | 0 | 0 | 0 |

LTR-4SQD

LITEISTRY 4" SQUARE DOWNLIGHT

DATE: _____ LOCATION: _____

TYPE: _____ PROJECT: _____

CATALOG #: _____

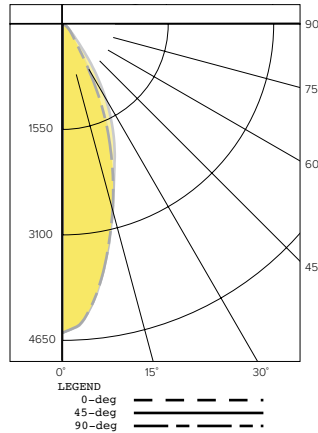
PHOTOMETRY CONTINUED

LTR-4SQD-H-ML20L-DM1 / LTR-4SQD-T-ML35K8NRS

LUMINAIRE DATA

| | |
|-------------------|---------------------------------------|
| Test No. | P19.00949 |
| Description | 2000 lm, Narrow, 3500K, 80 CRI |
| Delivered Lumens | 2237 |
| Watts | 22.7W |
| Efficacy | 98.7 |
| Mounting | Recessed |
| Spacing Criterion | 0.6 |
| Beam Angle (FWHM) | 37 |

POLAR GRAPH



CANDELA DISTRIBUTION

| Degree | Candela - 0 | Candela - 45 | Candela - 90 |
|--------|-------------|--------------|--------------|
| 0 | 4527 | 4527 | 4527 |
| 5 | 4233 | 4235 | 4231 |
| 15 | 2801 | 2791 | 2788 |
| 25 | 1321 | 1711 | 1318 |
| 35 | 282 | 655 | 283 |
| 45 | 110 | 133 | 110 |
| 55 | 23 | 30 | 24 |
| 65 | 5 | 6 | 5 |
| 75 | 2 | 2 | 2 |
| 85 | 1 | 1 | 1 |
| 90 | 0 | 0 | 0 |

ZONAL LUMEN SUMMARY

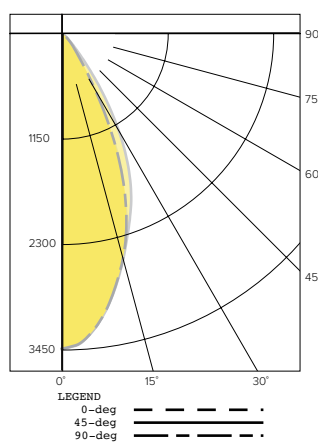
| Zone | Lumens | % Luminaire |
|-------|--------|-------------|
| 0-40 | 2103 | 94.0 |
| 0-60 | 2227 | 99.6 |
| 0-90 | 2237 | 100.0 |
| 0-180 | 2237 | 100.0 |

LTR-4SQD-H-ML20L-DM1 / LTR-4SQD-T-ML35K8MDS

LUMINAIRE DATA

| | |
|-------------------|---------------------------------------|
| Test No. | P19.00950 |
| Description | 2000 lm, Medium, 3500K, 80 CRI |
| Delivered Lumens | 2209 |
| Watts | 22.7W |
| Efficacy | 97.4 |
| Mounting | Recessed |
| Spacing Criterion | 0.7 |
| Beam Angle (FWHM) | 46 |

POLAR GRAPH



CANDELA DISTRIBUTION

| Degree | Candela - 0 | Candela - 45 | Candela - 90 |
|--------|-------------|--------------|--------------|
| 0 | 3435 | 3435 | 3435 |
| 5 | 3305 | 3309 | 3307 |
| 15 | 2550 | 2565 | 2556 |
| 25 | 1414 | 1761 | 1424 |
| 35 | 365 | 739 | 371 |
| 45 | 123 | 155 | 124 |
| 55 | 26 | 34 | 26 |
| 65 | 6 | 6 | 5 |
| 75 | 2 | 3 | 2 |
| 85 | 1 | 1 | 1 |
| 90 | 0 | 0 | 0 |

ZONAL LUMEN SUMMARY

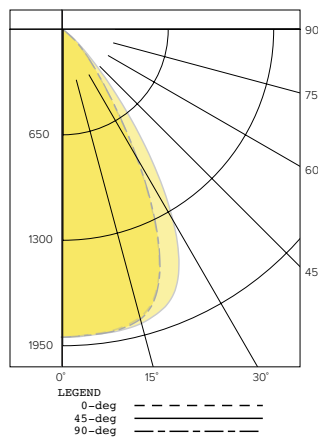
| Zone | Lumens | % Luminaire |
|-------|--------|-------------|
| 0-40 | 2056 | 93.1 |
| 0-60 | 2199 | 99.6 |
| 0-90 | 2209 | 100.0 |
| 0-180 | 2209 | 100.0 |

LTR-4SQD-H-ML20L-DM1 / LTR-4SQD-T-ML35K8WDS

LUMINAIRE DATA

| | |
|-------------------|-------------------------------------|
| Test No. | P19.01045 |
| Description | 2000 lm, Wide, 3500K, 80 CRI |
| Delivered Lumens | 2081 |
| Watts | 22.7W |
| Efficacy | 91.8 |
| Mounting | Recessed |
| Spacing Criterion | 1.0 |
| Beam Angle (FWHM) | 60 |

POLAR GRAPH



CANDELA DISTRIBUTION

| Degree | Candela - 0 | Candela - 45 | Candela - 90 |
|--------|-------------|--------------|--------------|
| 0 | 1906 | 1906 | 1906 |
| 5 | 1897 | 1902 | 1900 |
| 15 | 1850 | 1887 | 1861 |
| 25 | 1392 | 1702 | 1403 |
| 35 | 549 | 939 | 558 |
| 45 | 190 | 257 | 192 |
| 55 | 38 | 52 | 39 |
| 65 | 7 | 8 | 7 |
| 75 | 3 | 3 | 3 |
| 85 | 1 | 1 | 1 |
| 90 | 0 | 0 | 0 |

ZONAL LUMEN SUMMARY

| Zone | Lumens | % Luminaire |
|-------|--------|-------------|
| 0-40 | 1846 | 96.3 |
| 0-60 | 2068 | 99.8 |
| 0-90 | 2081 | 100.0 |
| 0-180 | 2081 | 100.0 |

IES FILE

IES FILE

IES FILE

LTR-4SQD

LITEISTRY 4" SQUARE DOWNLIGHT

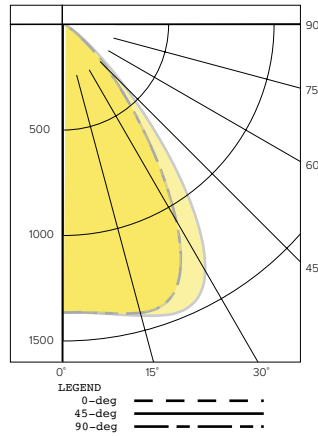
PHOTOMETRY CONTINUED

LTR-4SQD-H-ML20L-DM1 / LTR-4SQD-T-ML35K8XWS

LUMINAIRE DATA

| | |
|-------------------|------------------------------------|
| Test No. | P19.00952 |
| Description | 2000 lm, Extra Wide, 3500K, 80 CRI |
| Delivered Lumens | 2026 |
| Watts | 22.7W |
| Efficacy | 89.2 |
| Mounting | Recessed |
| Spacing Criterion | 1.2 |
| Beam Angle (FWHM) | 69 |

POLAR GRAPH



CANDELA DISTRIBUTION

| Degree | Candela - 0 | Candela - 45 | Candela - 90 |
|--------|-------------|--------------|--------------|
| 0 | 1368 | 1368 | 1368 |
| 5 | 1373 | 1375 | 1373 |
| 15 | 1418 | 1432 | 1417 |
| 25 | 1304 | 1458 | 1301 |
| 35 | 741 | 1064 | 738 |
| 45 | 271 | 376 | 271 |
| 55 | 48 | 73 | 49 |
| 65 | 8 | 9 | 8 |
| 75 | 3 | 3 | 3 |
| 85 | 1 | 1 | 1 |
| 90 | 0 | 0 | 0 |

ZONAL LUMEN SUMMARY

| Zone | Lumens | % Luminaire |
|-------|--------|-------------|
| 0-40 | 1699 | 83.9 |
| 0-60 | 2012 | 99.3 |
| 0-90 | 2026 | 100.0 |
| 0-180 | 2026 | 100.0 |

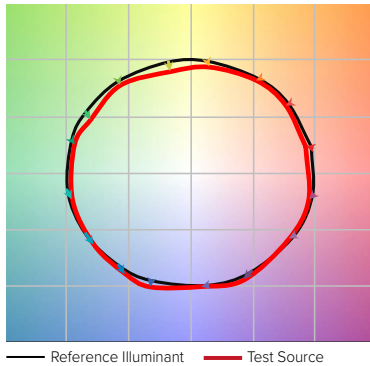
LUMEN MULTIPLIER

| Option | 27K8 | 30K8 | 35K8 | 40K8 | 50K8 | 27K9 | 30K9 | 35K9 | 40K9 |
|------------|------|------|------|------|------|------|------|------|------|
| Multiplier | 0.94 | 0.98 | 1.00 | 1.01 | 1.02 | 0.81 | 0.84 | 0.85 | 0.85 |

Photometrics are published below at a nominal 3500 Kelvin, 80+ CRI. This table may be used to approximate the lumen values at different Kelvin temperatures. Power consumption would stay the same.

TM-30 DATA

COLOR VECTOR GRAPHIC 3500K, 90 CRI

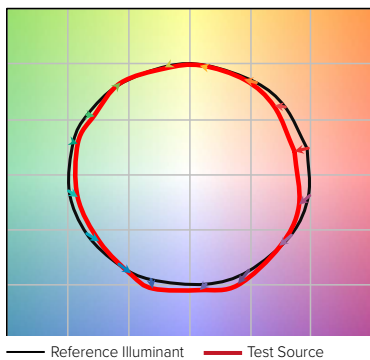


COLOR DISTORTION GRAPHIC 3500K, 90 CRI

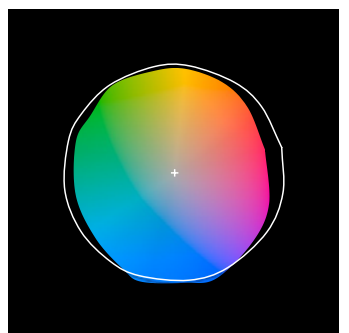


| TEST RESULTS - 3500K | | |
|----------------------|---------|---------|
| Value | 80+ CRI | 90+ CRI |
| R _i | 84 | 88 |
| R _g | 95 | 95 |
| CCT (K) | 3411 | 3419 |
| D _{UV} | 0.0015 | 0.0042 |
| x | 0.4120 | 0.4147 |
| y | 0.3974 | 0.4052 |
| CIE R _a | 84 | 93 |
| CIE R _g | 11 | 62 |

COLOR VECTOR GRAPHIC 3500K, 80 CRI



COLOR DISTORTION GRAPHIC 3500K, 80 CRI





LTR-4SQD

LITEISTRY 4" SQUARE DOWNLIGHT

DATE: _____ LOCATION: _____

TYPE: _____ PROJECT: _____

CATALOG #: _____

ELECTRICAL DATA

| DRIVER DATA | | |
|------------------------------------|-----------|----------|
| Input Voltage | 120-277 V | 347 V |
| Input Frequency | 50/60 Hz | 50/60 Hz |
| Power Factor | ≥0.90 | ≥0.90 |
| THD | <20% | <20% |
| EMI Filtering (FCC 47 CFR Part 15) | Class A | Class A |

* Values for DM1 option shown, values for other dimming options may vary.

| WATTAGE DATA | | |
|--------------|----------------|---------|
| Lumen Output | Nominal Lumens | WATTAGE |
| 06L | 600 | 8 |
| 10L | 1000 | 12 |
| 15L | 1500 | 19 |
| 20L | 2000 | 23 |
| 25L | 2500 | 28 |
| 30L | 3000 | 35 |
| 35L | 3500 | 43 |
| 40L | 4000 | 52 |

* Wattage may vary based on configuration and options selected

ADDITIONAL INFORMATION

| DIMMING COMPATIBILITY CHART | | |
|-----------------------------|---|---|
| Dimming Driver | Manufacturer | Web Link |
| DM1 /DM01 | Lutron DVTV | http://bit.ly/11jSvZg |
| DM1 | Leviton AWRMG-7xx, AWSMG-7xx, AWSMT-7xx | http://bit.ly/1BJn2R9 |
| EDM | Lutron | http://bit.ly/1vtjHA1 |
| 2DM | Lutron | http://bit.ly/1S4WjXK |

DMX

See instruction sheet on www.prescolite.com for connection & installation information.

Central Inverters

For full fixture output in back-up mode, we recommend you visit www.dual-lite.com for your Central Lighting Inverter options. Please contact your local Hubbell representative for any assistance with proper sizing and loading of your inverter selection. Central lighting inverters must be ordered separately.

LiteGear: www.dual-lite.com/products/litegear_lg_series

LPS Series: www.dual-lite.com/products/lps

ENERGY STAR® Certified Models

For a list of certified models, click on the ENERGY STAR® MODELS link or visit www.energystar.gov.

All product and company names, logos and product identifiers are trademarks ™ or registered trademarks ® of Hubbell Lighting, Inc. or their respective owners. Use of them does not necessarily imply any affiliation with or endorsement by such respective owners.