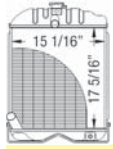


# Cooling Systems

Parts are not original equipment parts and are not sponsored, affiliated, or otherwise connected with any major brand.

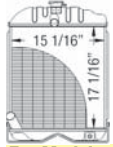
**A-181623M1** Radiator 17.96 Lbs.  
Top mounting bracket is centered.



**Dim/Info:**  
Core Size: 15.062" Wide  
17.312" High  
3 Rows of Tubes  
5 Fins per Inch

**For Models:** TE20, TEA20, TO20, TO30

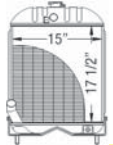
**A-186830M91** Radiator 18.58 Lbs.  
Top neck curves down, top mounting bracket in center.



**Dim/Info:**  
Core Size: 15.125" Wide  
17.125" High  
3 Rows of Tubes  
7 Fins per Inch

**For Models:** 202 SN 306493-> W/ GAS ENGINE, (35, 35 TURF, 35 UTILITY ALL W/ GAS ENGINE), TO35 SN 204181-> W/ GAS ENGINE

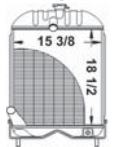
**A-894319M92** Radiator 19.50 Lbs.  
Top neck is straight



**Dim/Info:**  
Core Size: 15.000" Wide  
17.500" High  
3 Rows of Tubes  
7 Fins per Inch

**For Models:** 35 W/ A3.152 DSL. Eng., 35FE W/ 87MM STD. Eng.

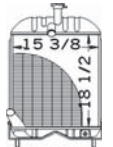
**A-1660499M92** Radiator 18.50 Lbs.  
**Replaces:** 885856M94, 194275M94



**Dim/Info:**  
Core Size: 15.375" Wide  
18.5" High  
3 Rows of Tubes  
5 Fins per Inch

**For Models:** 148 W/ DIESEL ENGINE, 20 IND. / TURF W/PERKINS GAS / DIESEL ENG., 21.35 UTIL. / TURF W/GAS / DIESEL ENG.

**A-1680547M92** Radiator 19.18 Lbs.



**Dim/Info:**  
Core Size: 15.375" Wide  
18.500" High  
3 Rows of Tubes  
5 Fins per Inch

**For Models:** (20D, 20F, 240, 250, 30E, 30H, 40E ALL UK)

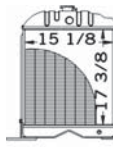
**A-182456M91** Radiator 18.15 Lbs.



**Dim/Info:**  
Core Size: 15.125" Wide  
17.375" High  
3 Rows of Tubes  
7 Fins per Inch

**For Models:** 50 W/ Gas & LP Engine

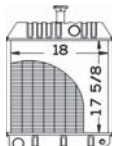
**A-186733M91** Radiator 19.25 Lbs.



**Dim/Info:**  
Core Size: 15.125" Wide  
17.375" High  
3 Rows of Tubes  
8 Fins per Inch

**For Models:** (50, 50A, 65 ALL W/DIESEL ENGINE), (302, 304 ALL W/Diesel Engine)

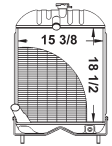
**A-579010M92** Radiator 19.50 Lbs.



**Dim/Info:**  
Core Size: 18.000" Wide  
17.625" High  
3 Rows of Tubes  
7 Fins per Inch

**For Models:** 50D, 40B SN 9A282759>, 50C SN 9A282766>

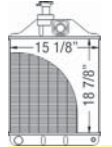
**A-1660499M92** Radiator 18.50 Lbs.



**Dim/Info:**  
Core Size: 15.375" Wide  
18.5" High  
3 Rows of Tubes  
5 Fins per Inch

**For Models:**

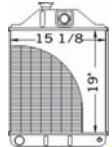
**A-885579M93** Radiator 21.40 Lbs.



**Dim/Info:**  
Core Size: 15.125" Wide  
18.875" High  
3 Rows of Tubes  
8 Fins per Inch

**For Models:** 165 UK, 185, 188

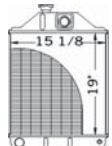
**A-194701M91** Radiator 19.00 Lbs.



**Dim/Info:**  
Core Size: 15.125" Wide  
19.000" High  
3 Rows of Tubes  
8 Fins per Inch

**For Models:** 165 Standard & Row Crop W/ Diesel Or Continental Gas Engine, 180 W/ Perkins Diesel Or Continental Gas Engine, 30 W/ Diesel Engine, 3165 Turf & Utility W/ Diesel Or Continental Gas Engine

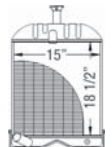
**A-506244M91** Radiator 19.00 Lbs.



**Dim/Info:**  
Core Size: 15.125" Wide  
19.000" High  
3 Rows of Tubes  
8 Fins per Inch

**For Models:** 180 PERKINS DIESEL OR CONTINENTAL GAS ENGINE, 30 W/ DIESEL ENGINE, 3165 TURF & UTILITY W/ DIESEL OR CONTINENTAL GAS ENGINE

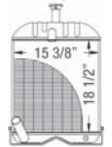
**A-579004M91** Radiator w/ 3.500" Neck 19.00 Lbs.



**Dim/Info:**  
Core Size: 15.000" Wide  
18.500" High  
3 Rows of Tubes  
7 Fins per Inch

**For Models:** 230, 245, 20C SN 9A282759>

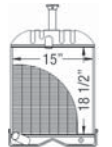
**A-1660655M92** Radiator 20.00 Lbs.  
**Replaces:** 1660654M92



**Dim/Info:**  
Core Size: 15.375" Wide  
18.500" High  
3 Rows of Tubes  
5 Fins per Inch

**For Models:** 231, 240P

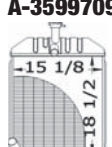
**A-539919M91** Radiator w/ 4.500" Neck 20.00 Lbs.



**Dim/Info:**  
Core Size: 15.000" Wide  
18.500" High  
3 Rows of Tubes  
7 Fins per Inch

**For Models:** 245, 20C SN <9A282759, 230 GAS & DIESEL SN <-9A284347

**A-3599709M92** Radiator 30.00 Lbs.



**Dim/Info:**  
Core Size: 15.125" Wide  
18.50" High  
3 Rows of Tubes  
8 Fins per Inch

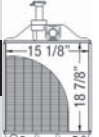
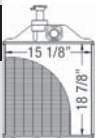
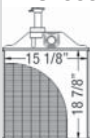
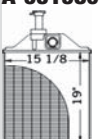
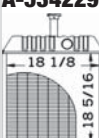

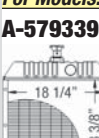
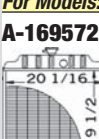

**For Models:** 253, 240 SN A20286> W/ HYDROSTATIC STEERING

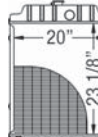
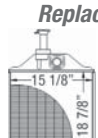
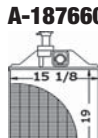


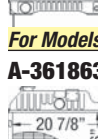
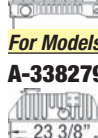

- AGCO
- ALLIS CHALMERS
- DEUTZ
- MASSEY FERGUSON
- WHITE/ OLIVER
- CNH
- CASE-IH
- FORD / NEW HOLLAND
- FIAT
- BELARUS
- BOBCAT
- JCB
- JOHN DEERE
- KUBOTA
- LANDINI
- LEYLAND
- LONG
- MCCORMICK
- OTHER
- RENAULT
- SAME
- VALTRA
- VERSATILE
- YANMAR
- ZETOR
- SCHWARTZ
- SPEECO

\*\*\* Truck icon indicates the item is shipped via truck freight.\*\*\*

# Cooling Systems

Parts are not original equipment parts and are not sponsored, affiliated, or otherwise connected with any major brand.

	<b>A-531981M94</b>	Radiator for w/ Oil Cooler, 4.796" Neck	21.00 Lbs.
<b>AGCO</b>		<b>Dim/Info:</b> Core Size: 15.125" Wide 18.875" High 3 Rows of Tubes 8 Fins per Inch	
<b>ALLIS CHALMERS</b>	<b>For Models:</b> 255 DSL A4-236 SN <-9A282760, 265 DSL SN <-9A282759		
<b>DEUTZ</b>	<b>A-531982M94</b>	Radiator	20.00 Lbs.
<b>MASSEY FERGUSON</b>		<b>Dim/Info:</b> Core Size: 15.125" Wide 18.875" High 3 Rows of Tubes 8 Fins per Inch	
<b>WHITE/ OLIVER</b>	<b>For Models:</b> 255 DSL AD4-203		
	<b>A-1876606M4</b>	Radiator	18.80 Lbs.
<b>CNH</b>		<b>Dim/Info:</b> Core Size: 15.125" Wide 18.875" High 3 Rows of Tubes 8 Fins per Inch	
<b>CASE-IH</b>	<b>For Models:</b> 261 POLAND		
<b>FORD / NEW HOLLAND</b>	<b>A-531980M94</b>	Radiator	19.00 Lbs.
<b>FIAT</b>		<b>Dim/Info:</b> Core Size: 15.125" Wide 19.000" High 3 Rows of Tubes 8 Fins per Inch	
	<b>For Models:</b> 265 SN <9A349239 W/ GAS ENGINE, 255 W/ GAS ENGINE		
<b>BELARUS</b>	<b>A-534229M95</b>	Radiator (4 11/16" Filler Neck)	24.60 Lbs.
<b>BOBCAT</b>		<b>Dim/Info:</b> Core Size: 18.125" Wide 18.312" High 3 Rows of Tubes 8 Fins per Inch	
<b>JCB</b>	<b>For Models:</b>		
<b>JOHN DEERE</b>	<b>A-579337M92</b>	Radiator w/o Cooler (3 7/16" Neck) w/ Oil Cooler	23.34 Lbs.
<b>KUBOTA</b>		<b>Dim/Info:</b> Core Size: 18.125" Wide 18.125" High 3 Rows of Tubes 8 Fins per Inch	
<b>LANDINI</b>	<b>For Models:</b> 275 SN 9A298605>		
<b>LEYLAND</b>	<b>A-579339M91</b>	Radiator w/ Oil Cooler	30.00 Lbs.
<b>LONG</b>		<b>Dim/Info:</b> Core Size: 18.125" Wide 18.375" High 3 Rows of Tubes 8 Fins per Inch	
<b>McCORMICK</b>	<b>For Models:</b> 285 W/OIL COOLER SN 9A298063->		
<b>OTHER</b>	<b>A-1695721M2</b>	Radiator	29.00 Lbs.
<b>RENAULT</b>		<b>Dim/Info:</b> Core Size: 20.062" Wide 19.500" High 4 Rows of Tubes 8 Fins per Inch	
<b>SAME</b>	<b>For Models:</b> (375, 383, 390, 390T, 393, 398 ALL UK MODEL), 399 W/A6.354 ENG UK		
<b>VALTRA</b>	<b>A-3618628M92</b>	Radiator	45.00 Lbs.
<b>VERSATILE</b>		<b>Dim/Info:</b> Core Size: 20.875" Wide 19.875" High 4 Rows of Tubes 8 Fins per Inch	
<b>YANMAR</b>	<b>For Models:</b> 3070 <7/1993>, 3075, (3095, 3120T ALL SN B249026>), 6150, 6160, 6170, 6180		
<b>ZETOR</b>			
<b>SCHWARTZ SPEECO</b>			

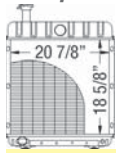
<b>A-3614476M91</b>	Radiator	31.05 Lbs.
	<b>Dim/Info:</b> Core Size: 20.000" Wide 23.125" High 4 Rows of Tubes 7 Fins per Inch	
<b>For Models:</b> 399 W/ 1006.6 ENGINE		
<b>A-1669650M94</b>	Radiator	21.98 Lbs.
	<b>Dim/Info:</b> Core Size: 15.125" Wide 18.875" High 4 Rows of Tubes 7 Fins per Inch	
<b>Replaces:</b> 3820620M91, 1683977M92		
<b>For Models:</b> 670, (270, 50E ALL UK MODEL)		
<b>A-1876608M3</b>	Radiator	18.80 Lbs.
	<b>Dim/Info:</b> Core Size: 15.125" Wide 19.000" High 3 Rows of Tubes 8 Fins per Inch	
<b>For Models:</b> 575 UK & FRENCH MODELS		
<b>A-1680599M92</b>	Radiator	22.36 Lbs.
	<b>Dim/Info:</b> Core Size: 15.125" Wide 19.000" High 4 Rows of Tubes 8 Fins per Inch	
<b>For Models:</b> 690		
<b>A-3618626M92</b>	Radiator	70.00 Lbs.
	<b>Dim/Info:</b> Core Size: 20.875" Wide 21.062" High 4 Rows of Tubes 8 Fins per Inch	
<b>For Models:</b> 3125 SN B249038>, 3140, 6190		
<b>A-3618630M92</b>	Radiator	39.00 Lbs.
	<b>Dim/Info:</b> Core Size: 20.875" Wide 18.312" High 3 Rows of Tubes 8 Fins per Inch	
<b>For Models:</b> (3050, 3060, 3065 ALL SN B246029>), 6110, 6120, 6130, 6140		
<b>A-3382795M93</b>	Radiator	38.00 Lbs.
	<b>Dim/Info:</b> Core Size: 23.375" Wide 20.187" High 4 Rows of Tubes 8 Fins per Inch	
<b>For Models:</b> 3070 <7/1993, 3090, 3095 <B249025, 3120, 3120T <B249025		
<b>A-3618628M92</b>	Radiator	45.00 Lbs.
	<b>Dim/Info:</b> Core Size: 20.875" Wide 19.875" High 4 Rows of Tubes 8 Fins per Inch	
<b>For Models:</b> 3070 7/1993>, 3075, (3095, 3120T ALL SN B249026>), 6150, 6160, 6170, 6180		

\*\*\* Truck icon indicates the item is shipped via truck freight. \*\*\*

# Cooling Systems

Parts are not original equipment parts and are not sponsored, affiliated, or otherwise connected with any major brand.

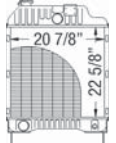
**A-3382797M91** Radiator 32.00 Lbs.  
Replaces: 3582207M91



**Dim/Info:**  
Core Size: 20.875 Wide  
18.625" High  
3 Rows of Tubes  
7 Fins per Inch

**For Models:** (3050, 3060, 3065 ALL SN <B246028)

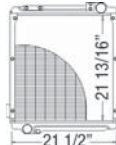
**A-3619008M92** Radiator 48.00 Lbs.



**Dim/Info:**  
Core Size: 20.875" Wide  
22.625" High  
4 Rows of Tubes  
8 Fins per Inch

**For Models:** 3645 SN B249040>, (3655, 3660 ALL SN B284013>), 6190, 8110, 8120 SN <F044008, 8130

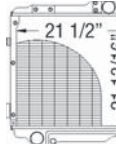
**A-3808159M3** Radiator 39.00 Lbs.



**Dim/Info:**  
Core Size: 21.50" Wide  
21.8125" High  
4 Rows of Tubes  
8 Fins per Inch

**For Models:** 4260, 4263, 4270, 4360, 4370

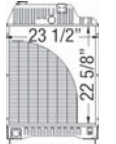
**A-3781116M1** Radiator 44.00 Lbs.



**Dim/Info:**  
Core Size: 21.500" Wide  
21.812" High  
5 Rows of Tubes  
8 Fins per Inch


**For Models:** 6265, 6270, 6280, 6290

**A-3778285M91** Radiator 46.00 Lbs.



**Dim/Info:**  
Core Size: 23.500" Wide  
22.625" High  
4 Rows of Tubes  
10 Fins per Inch

**For Models:** 8120 SN F044009>

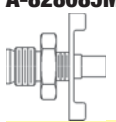
**A-3713181M4** Radiator 95.00 Lbs. 



**Dim/Info:**  
Core Size: 25.500" Wide  
27.625" High  
4 Rows of Tubes  
8 Fins per Inch

**For Models:** 8140, 8150, 8160

**A-828085M1** Radiator Drain Tap (1/2" UNF) 0.06 Lbs.



**Dim/Info:**  
1/2" UNF Thread

**For Models:** FE35, TEA20, TED20, TEF20, 135 UK

**A-1016199M1** Drain Faucet 0.07 Lbs.  
Fits all models w/ 1/4" NPT threads



**For Models:** T035, 333, 35, 44, 50, 555, 65, 85, 88

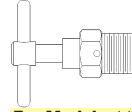
**A-825496M1** Drain Tap 0.20 Lbs.



**Dim/Info:**  
1/8" BSP Thread

**For Models:** 135 UK, FE35, T035

**A-365333X1** Drain Tap, Radiator 0.07 Lbs.  
Replaces: 1851095M2



**For Models:** 1100, 1105, 1130, 1135, 1150, 1155, 130, 135, 150, 1500, 165, 175, 180, 1800, 194-4, 20, 202, 203, 205, 2135, 2200, 230, 231, 235, 240, 240P, 245, 250, 253, 254-4, 255, 265, 270, 274-4, 2745, 275, 2775, 2805, 282, 283, 285, 290, 294-4, 298, 302, 304, 30B, 30E, 30H, 31, 35, 360, 362, 375, 383, 393, 398, 399, 40, 4830FC, 50, 5830, 5830FC, 5860, 5870, 6030FC, 65, 670, 690, 698, 699, FE135, SUPER 90, T035

**A-1874445M93** Radiator Cap 0.46 Lbs.  
Replaces: 1874445M94



**For Models:** 20D, 20F, 253, 270, 283, 298, 30E, 40E, 50E, (20B, 20E, 30H, 550 ALL W/ AD3.152 ENGINE), 560 UK W/ AD4.203 ENGINE

**A-3475308M1** Radiator Cap 0.15 Lbs.  
Replaces: 826772M1



**For Models:** FE35, T035, 65, 765, FE135 COVENTRY, 135 W/AD3.152 ENG SN 147024, 165 W/AD4.230 ENG

**A-3638322M1** Radiator Cap 0.24 Lbs.  
Replaces: 825702M2, 643595M1, 3637675M1



**For Models:** TEA20, TED20, TEF20

**A-184528M1** Radiator Cap 0.18 Lbs.  
Replaces: 180224M1, 184528M91, 184528M1



**For Models:** 135, 150, 165, 175, 180, 235, 240, 255, 3060, 3065, 3070, 3075, 3095, 3120T, 3125, 35, 3505, 3525, 3545, 360, 362, 3645, 365, 3655, 3660, 3670, 3690, 375, 383, 390, 398, 399, 4800, 4900, 50, 50 MASSEY HARRIS, 65, 670, 690, 698, 699, 85, 88, TE20, T020, T030, T035

**A-3637301M1** Radiator Cap (10 lb) 0.14 Lbs.  
Replaces: 885341M1, 24850017



**For Models:** 135 Perkins Gas & Diesel, 135 UK SN 147025> W/ AD3.152 Engine, 40 SN 838391> W/ AD3.152 Eng., 148 W/ AD3.152 ENG., 165 UK W/ A4.212 Eng., (50, 50B ALL W/ A4.212 OR A4.236 ENG.), 168 W/ A4.236 ENG., (178, 185, 188 ALL W/ A4.248 ENG.)

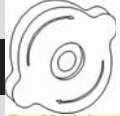
- AGCO
- ALLIS CHALMERS
- DEUTZ
- MASSEY FERGUSON
- WHITE/ OLIVER
- CNH
- CASE-IH
- FORD / NEW HOLLAND
- FIAT
- BELARUS
- BOBCAT
- JCB
- JOHN DEERE
- KUBOTA
- LANDINI
- LEYLAND
- LONG
- MCCORMICK
- OTHER
- RENAULT
- SAME
- VALTRA
- VERSATILE
- YANMAR
- ZETOR
- SCHWARTZ
- SPEECO

\*\*\* Truck icon indicates the item is shipped via truck freight.\*\*\*

# Cooling Systems

Parts are not original equipment parts and are not sponsored, affiliated, or otherwise connected with any major brand.

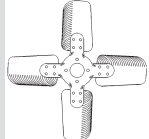
**A-180224M92** Radiator Cap 0.18 Lbs.



AGCO  
ALLIS  
CHALMERS  
DEUTZ  
MASSEY  
FERGUSON

**For Models:** 2620, 2640, 2680, 2720, 3075, 340, 342, 350, 352, 355, 360, 362, 365, 372, 375, 382, 390, 398, 399, 4225, 4235, 4245, 4255, 4260, 4270, 6110, 6120, 6140, 6150, 6170, 6180, 6190, 675, 690, 698, 698T, 699, 8120, 8130, 8140, 8150, 8160, 230 W/ Hood With Trap, (3085, 3095, 3115, 3120 ALL SN B249026>), (3125, 3635 ALL SN B249038>), 3645 SN B249040>, 3655 SN B284013>, (382N, 390T ALL SN B18009>)

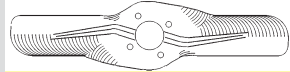
**A-3638342M91** Fan, 4 Blade 1.54 Lbs.  
Used w/ A-1885489M92 or A-1885489M92-R water pumps



**Dim/Info:**  
15.5" Dia.  
1" Pilot Hole  
Bolt Pattern is 1.25" x 1.5"

**For Models:** FE135, FE35, TO35, 135 UK W/ A3.152 DSL

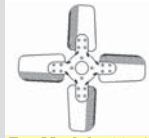
**A-3539008M91** Fan, 2 Blade 1.00 Lbs.  
**Replaces:** 1884777M1, 963930M1



**Dim/Info:**  
15.5" w/ a 1.5" Pilot Hole

**For Models:** 20D, 20F, 240, 250, 30H, 360, 3645, 135 SN 152UA5275-> UK, 20E USED W/3539007M91 TO MAKE 4 BLADE FAN, 165 W/AD4.204 ENG UK, 40E 2WHEEL DRIVE

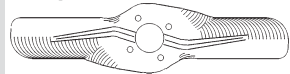
**A-825181M91** Fan, 4 Blade Assembly 1.54 Lbs.  
Used w/ A-1885489M92 or A-1885489M92-R water pumps



**Dim/Info:**  
1 1/2" & 1 1/4" Spacings

**For Models:** 135 UK MODEL W/ 87MM DIESEL ENGINE, (FE35, TO35 ALL W/ 23C STANDARD DIESEL ENGINE)

**A-3539007M91** Fan, 2 Blade 1.01 Lbs.  
**Replaces:** 1884738M1, 963929M1



**Dim/Info:**  
15.500" Dia.  
1.500" Pilot Hole  
Mtg Holes on 2.500" Ctr.

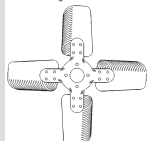
**For Models:** (135, 20D, 20F, 240, 250, 253, 30E, 30H, 40E ALL UK)

**A-184527M91** Fan, 6 Blade 1.25 Lbs.



**For Models:** (135, 2135, 65 ALL W/GAS ENG.)

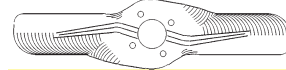
**A-194046M91** Fan, 4 Blade 1.60 Lbs.  
**Replaces:** 521031M91



**For Models:** 230, 255 W/ AD4-203 DIESEL ENGINE, (165, 3165 ALL W/ CONTINENTAL GAS OR DIESEL ENGINE), (2135, 235, 245 ALL W/ DIESEL ENGINE), (203, 205 ALL W/ DIRECT INJ. DIESEL), 150 W/ PERKINS GAS ENGINE, (135, 2200 ALL W/ PERKINS GAS OR DIESEL ENGINE)

WHITE/  
OLIVER  
CNH  
CASE-IH  
FORD / NEW  
HOLLAND  
FIAT  
BELARUS  
BOBCAT  
JCB  
JOHN  
DEERE  
KUBOTA  
LANDINI  
LEYLAND  
LONG  
McCORMICK  
OTHER  
RENAULT  
SAME  
VALTRA  
VERSATILE  
YANMAR  
ZETOR

**A-1885173M1** Fan, 2 Blade 1.20 Lbs.  
**Replaces:** 894730M1



**For Models:** 178, 184-4, 165 AD4.212 ENG UK, 174-4S LATE PRODUCTION, 274-4 SN 221N00936->, 20E W/AD 3.152 ENG USED W/1884777M1 TO MAKE 4 BLADE FAN, 175 W/A4.4236 / A4.248 ENG UK

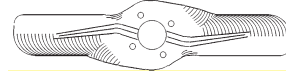
**A-160895M1** Fan, 8 Blade (Plastic) 1.50 Lbs.



**Dim/Info:**  
15.000" Dia.  
1.562" Pilot Hole  
Mtg Holes on 2.000" Ctr.

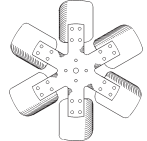
**For Models:** 275, 285

**A-1885172M1** Fan, 2 Blade 1.20 Lbs.  
**Replaces:** 894729M1



**For Models:** 184-4, 165 AD4.212 ENG UK, 174-4S LATE PRODUCTION, 274-4 SN 221N00936->, (175, 178 ALL W/A4.4236 / A4.248 ENG UK)

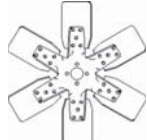
**A-353893M91** Fan, 6 Blade 4.00 Lbs.



**Dim/Info:**  
7 Blade (Steel)  
16.00" Dia.  
1.625" Pilot Hole  
Mtg. Holes on 2.500" Ctr.

**For Models:** 174-4S, 270 UK, 274-4, 275, 275 UK, 282, 283, 283 UK, 290 UK, 294-4, 298, 298 UK, (374S, 374V, 384S, 394S ALL S/N <D03066), 670, 690, 698, 1080, 1745, 6830FC, 7830C, 8870, 50E, 50E UK

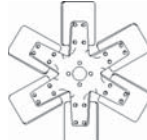
**A-3637938M1** Fan, 6 Blade 5.00 Lbs.  
**Replaces:** 31258006, 2485C816, 31258117



**Dim/Info:**  
18.000" Diameter  
1.625" Pilot Hole  
1.750" Bolt Hole Centers

**For Models:** 25, 3065, 390T, 393, 398, 399, 6140, 699, (375, 383, 390 ALL W/ AC)

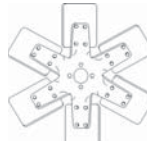
**A-181522M91** Fan, 6 Blade 4.50 Lbs.



**Dim/Info:**  
15.250" Diameter  
1.0625" Pilot Hole  
1.250" Bolt Hole Centers

**For Models:** (150, 202, 204, 2200, 35, 50, TE20, TO20, TO30, TO35 ALL Gas)

**A-521269M1** Fan, 6 Blade 3.00 Lbs.



**Dim/Info:**  
16.250" Diameter  
1.625" Pilot Hole  
1.750" Bolt Hole Centers

**For Models:** 175 Perkins Gas, 255 Diesel, 265 SN <9A349239 Gas Or Diesel

**A-1695933M1** Fan, 4 Blade 3.00 Lbs.



**Dim/Info:**  
18.000" Diameter  
1.625" Pilot Hole  
1.750" Bolt Hole Centers

**For Models:** 365 SN <B18009, (375, 383, 390 ALL W/O AC), 4225, 4235, 4245, 4325, 4335

\*\*\* Truck icon indicates the item is shipped via truck freight. \*\*\*

# Cooling Systems

Parts are not original equipment parts and are not sponsored, affiliated, or otherwise connected with any major brand.

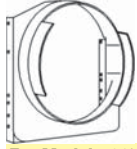
**A-530177M1** Fan, 6 Blade 4.20 Lbs.



**Dim/Info:**  
17.500" Diameter  
1.625" Pilot Hole  
1.750" Bolt Hole Centers

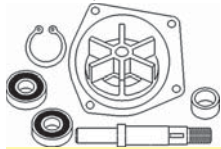
**For Models:** 1085, 285

**A-1662126M95** Fan Shroud 3.60 Lbs.



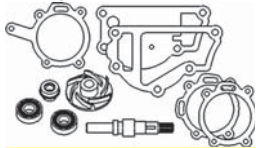
**For Models:** 30H SN<5109A0051, (30E, 40E ALL SN<5218B0099), 253

**A-732591M91** Water Pump Repair Kit 1.56 Lbs.  
Used to repair A-3637372M91 water pump



**For Models:** SEVERAL

**A-3637482M91** Water Pump Repair Kit 1.97 Lbs.  
Repairs A-3637411M91 & A-743065M91 water pumps  
**Replaces:** 739013M91, 740212M91, 741964M91



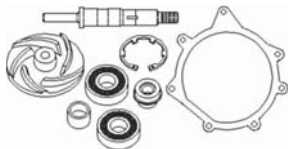
**For Models:** (165, 50, 50B ALL W/ A4.212 ENGINE), (168, 174-4S, 175, 240, 265, 274, 275, 362, 373, 377, 383, 387, 50B MKII, 50D, 50E, 50EX, 50H, 50H SERIES S, 50HX, 50HX SERIES S, 565, 575, 60H, 675 ALL W/ A4.236 ENGINE), (185, 188, 285, 290, 393, 397, 590, 60H SERIES S, 690 ALL W/ A4.248 ENGINE)

**A-748164M91** Water Pump Repair Kit 3.51 Lbs.  
Repairs A-3641365M91 Water Pump



**For Models:** 1100, 1105, 1130, 1135

**A-U7LW0015** Water Pump Repair Kit 3.73 Lbs.



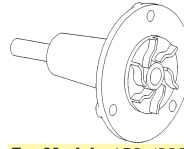
**For Models:** 1014, 1114, 1134, 2620, 2625, 2640, 2645, 2720, 2725, 3080, 3090, 3630, 3650, 399, 699, (2680, 2685 ALL U691476K >)

**A-3637446M91** Water Pump Repair Kit 3.00 Lbs.  
Repairs A-3641363M91 & A-3641887M91 Water Pumps  
**Replaces:** 739254M91



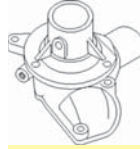
**For Models:** (1080, 285, 595 ALL W/ A4.318 ENGINE), (298, 698 ALL W/ A4.318.2 ENGINE)

**A-830691M91** Water Pump w/o Pulley 4.78 Lbs.  
**Replaces:** 830514M91



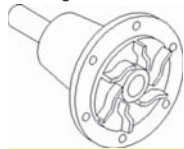
**For Models:** 150, (2200, 2500 ALL W/CONT GAS ENG), (T035, 35 ALL W/Z134 CONT GAS), 135 W/Z134 GAS ENG, (202, 204, 2135, 50, F40 ALL W/Z2134 CONT GAS ENG)

**A-760791M91-R** Re-Mfg. Water Pump (R&R Only) 7.00 Lbs.  
Casting# Y400K335



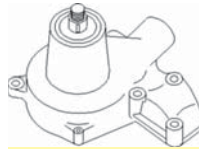
**For Models:** 22 W/ Continental Gas Engine

**A-1005011M91** Water Pump 4.25 Lbs.  
Casting# H260K414



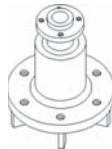
**For Models:** 303 Gas & Diesel, 33 MASSEY HARRIS Gas & Diesel, 333 Gas & Diesel, 44 MASSEY HARRIS W/ Gas Eng. Or Diesel Eng. SN 12163->, 444 Gas & Diesel, 55 MASSEY HARRIS W/ Gas Eng SN 23344-> & Diesel Eng SN 5000->, 555 MASSEY HARRIS Gas & Diesel

**A-1000268M91-R** Re-Mfg. Water Pump (R&R Only) 12.00 Lbs.



**For Models:** 44-6 Engine SN <51664

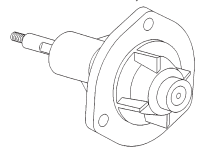
**A-162500** Water Pump Cont 444 (R&R Only) 23.00 Lbs.



**For Models:** 444

**A-1885489M92** Water Pump 4.24 Lbs.  
Casting# DA10779

**Replaces:** 1881805M91, 1881804M91, 1885489M91, 500088, 825440M1, 825447M1, 825843M91, 826119M91



**For Models:** 135 UK W/ 87 MM Eng. SN U691472K>, FE35 W/ 23C Or 87MM Engine SN U691472K>, TEA20 W/ 80 MM Or 85MM Eng. SN U691472K>, TED20 W/ 85MM Eng. SN U691472K>, TEF20 W/ 20C Eng. SN U691472K>, T035 W/23C STD DSL ENG

AGCO

ALLIS  
CHALMERS

DEUTZ

MASSEY  
FERGUSON

WHITE/  
OLIVER

CNH

CASE-IH

FORD / NEW  
HOLLAND

FIAT

BELARUS

BOBCAT

JCB

JOHN  
DEERE

KUBOTA

LANDINI

LEYLAND

LONG

McCORMICK

OTHER

RENAULT

SAME

VALTRA

VERSATILE

YANMAR

ZETOR

SCHWARTZ  
SPEECO

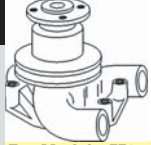
\*\*\* Truck icon indicates the item is shipped via truck freight.\*\*\*

# Cooling Systems

Parts are not original equipment parts and are not sponsored, affiliated, or otherwise connected with any major brand.

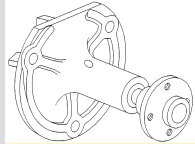
**A-734932M91** Water Pump w/ Single Pulley 10.80 Lbs.  
Includes pulley part# A-731280M1 w/ 2.500" hub dia.  
**Replaces:** Perkins# 41312154

**Dim/Info:**  
2.500" Dia. Hub



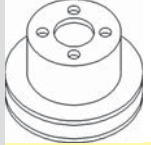
**For Models:** FE35 W/ A3.152 Diesel Engine, 50 W/ Perkins Diesel Engine, 135 UK W/ Perkins Eng. SN <152UA5275D, 35 W/ Perkins Diesel Engine, (203, 205 ALL W/ Regular Diesel Engine)

**A-830862M91** Water Pump w/o Pulley 3.94 Lbs.  
Casting# P133, P113, 120K305  
**Replaces:** 830862M91-R, 120113N



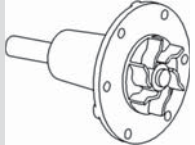
**For Models:** TE20, T020, T030

**A-1750300M1** Water Pump Pulley 1.80 Lbs.



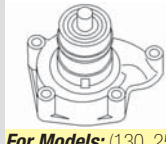
**For Models:** TE20, T020, T030

**A-835707M92** Water Pump 5.20 Lbs.  
**Replaces:** 835614M91, 830938M92



**For Models:** (85, 88 ALL GAS & DIESEL), (SUPER 90, 90 ALL W/ CONTINENTAL GAS ENGINE)

**A-748095M91** Water Pump w/o Pulley 9.75 Lbs.  
Casting# BR615N  
**Replaces:** 736212M1, 732123M91, 737973M91, 747614M91



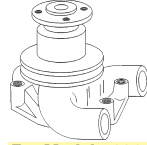
**For Models:** (130, 25 ALL W/4.99 OR 4.107 PERKINS DIESEL ENG.)

**A-1750081M1** Water Pump Pulley 4.40 Lbs.



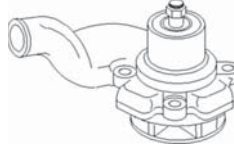
**For Models:** T035, 4500, (135, 202, 204, 2135, 2200, 230, 235, 245, 35 ALL W/ CONTINENTAL GAS ENGINE)

**A-747542M91** Water Pump w/ Single Pulley 10.40 Lbs.  
Includes pulley part# A-735034M1 w/ 3.125" hub dia.  
**Replaces:** 739527M91, U5MW0023, 41312487, 41312416



**For Models:** 231, 240P, 254-4, 360, (230, 235, 245 ALL AD3-152 DIESEL), 2500 Forklift W/ Diesel Engine, (240, 250 ALL Late Production), 154-4 W/ AD3.152 Engine, (253, 263 ALL W/ AT3.152.4 Eng. To Build List CN31187, CN31219, CN31256), 20C W/ Diesel Engine, (203, 205 ALL W/ Direct Injection Diesel Engine), 20 W/ Gas Or Diesel Engine, 150 W/ Perkins Gas Or Diesel Engine, 40E W/ T3.152.4 Eng. To Build List CN31157, CN31158

**A-743065M91** Water Pump w/o Pulley 7.80 Lbs.  
**Replaces:** 740490M91, 740489M91

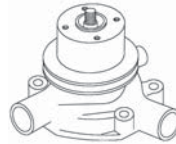


**A-737636M1** Pulley, Water Pump (Single Groove) 4.00 Lbs.  
**Replaces:** Perkins# 31145812



**For Models:** (165, 175, 255, 265, 30 ALL W/ PERKINS GAS ENGINE), 180 W/ PERKINS GAS ENGINE SN236UA1732A->

**A-3637372M91** Water Pump w/ Single Pulley 9.72 Lbs.  
Consist of repl. #'s 3641250M91 pump & A-731805M1 pulley.  
**Replaces:** 41312167, 740611M91, 731807M92,



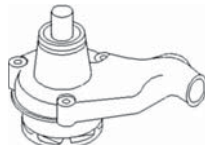
**For Models:** 30, 300, 302, 304, 365, 40B, 408, 50, 50A, (165, 255, 3165, 65 ALL AD4-203 DIESEL)

**A-747597M91** Water Pump w/o Pulley 10.54 Lbs.  
Same as above A-3637372M91 but less pulley.  
**Replaces:** 3641250M91, 731807M92, 41312167



**For Models:** 300, (165, 255, 3165, 65 ALL AD4-203 DIESEL), (30, 302, 304, 40B, 408, 50, 50A ALL IND), 356 IND (SHOVEL, BLADE, FORKLIFT)

**A-3641363M91** Water Pump 9.08 Lbs.  
Casting# 37711030  
**Replaces:** 747650M91, U5MW0009, 741928M91, 738745M91, 742639M91



**For Models:** 285, 298, (SKIDDER: 320), (COMBINE: 540), 70

\*\*\* Truck icon indicates the item is shipped via truck freight. \*\*\*

# Cooling Systems

Parts are not original equipment parts and are not sponsored, affiliated, or otherwise connected with any major brand.

**A-1032427M91** Water Pump 16.76 Lbs.



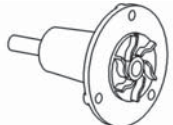
**For Models:** (165, 175, 3165 ALL W/ CONTINENTAL GAS ENGINE)

**A-3637411M91** Water Pump w/o Pulley 11.38 Lbs.  
Consist of repl. # 3640565M91 pump. Casting# 37711630  
**Replaces:** 4131225, 743064M91



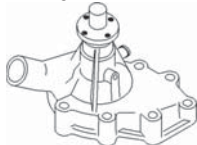
**For Models:** (50C, 175, 180, 255, 261, 265, 270, 275 ALL A 4-236 DSL / A 4-248 DSL), 178 W/ A4.248 Dsl.

**A-835615M92** Water Pump 4.90 Lbs.  
Casting# Z129K402



**For Models:** (180, 65 ALL W/ CONT. GAS MOTOR)

**A-3439531M91** Water Pump 6.78 Lbs.  
Casting# P12605148



**For Models:** 210, 210-4, 220, 220-4, (1030, 1030L ALL SN: < 02067, 2WD), 1030L SN: < 41713, 4WD, 1030L TOW, 1035

**A-3284086M92** Water Pump 4.50 Lbs.  
**Replaces:** 72103891



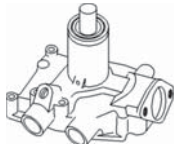
**For Models:** 1010, 1020

**A-3436674M91** Water Pump 7.24 Lbs.



**For Models:** (1040, 1045 ALL W/ 3 CYL. TOYOSHA ENG.)

**A-3641887M91** Water Pump 19.00 Lbs.  
Casting# 37712390  
**Replaces:** 3641364M91, 738711M91, 738750M91, 741106M91, 747446M91, U5MW0014, 41312419, 41312663, 41312747



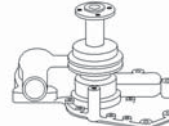
**For Models:**

**A-738830M1** Pulley, Water Pump 7.30 Lbs.  
Used w/ A-3641365M91 water pump



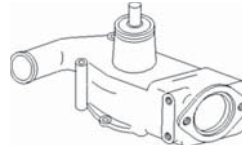
**For Models:** 1100, 1105, 1130, 1135

**A-1034372M91-R** Re-Mfg. Water Pump w/ Pulley (R&R Only) 30.00 Lbs.  
Casting# 236060A



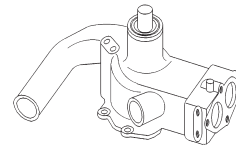
**For Models:** (1100, 1130 ALL W/ WAUKESHA GAS OR LP F320G)

**A-3641870M91** Water Pump 15/16" Shaft w/o Pulley 23.00 Lbs.



**For Models:** (1100, 1130 ALL W/ Single Thermostat)

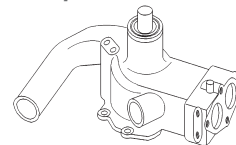
**A-3641365M91** Water Pump 29.72 Lbs.  
Casting# 37712540  
**Replaces:** 738836M91, 743189M91, 737900M91, 747611M91  
Perkins#'s 41312674



**Dim/Info:**  
.937" Dia. Pulley Shaft

**For Models:** 1105, 1130, 1135

**A-3641359M91** Water Pump w/o Pulley 29.00 Lbs.  
Casting# 37712460  
**Replaces:** Perkins# 41312683



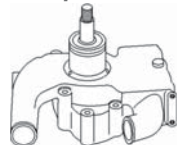
**For Models:** 1014 W/ A6.354.1 ENGINE, 1130 W/ DIESEL ENG. SN <354UA6765T, 1105 W/ DIESEL ENG. SN <354UA6994TSL, 1135 W/A6.354 ENGINE

**A-4224174M91** Water Pump w/o Pulley 25.94 Lbs.  
**Replaces:** 739011M91, 3641359M91, 743927M91, 4223498M91,  
Perkins # 41312683



**For Models:** 1150, 1155

**A-3641880M91** Water Pump 32.54 Lbs.  
Casting# 37712630  
**Replaces:** 744228M91, 3641859M91, 41313027



**For Models:** (3630, 3650 ALL W/AT6.354.4 ENG.), (2640, 2675, 3090, 3505, 3545, 399, 699 ALL W/A6.354.4 ENG.)

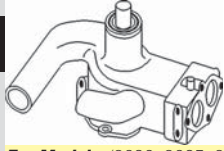
- AGCO
- ALLIS CHALMERS
- DEUTZ
- MASSEY FERGUSON
- WHITE/ OLIVER
- CNH
- CASE-IH
- FORD / NEW HOLLAND
- FIAT
- BELARUS
- BOBCAT
- JCB
- JOHN DEERE
- KUBOTA
- LANDINI
- LEYLAND
- LONG
- MCCORMICK
- OTHER
- RENAULT
- SAME
- VALTRA
- VERSATILE
- YANMAR
- ZETOR
- SCHWARTZ
- SPEECO

\*\*\* Truck icon indicates the item is shipped via truck freight.\*\*\*

# Cooling Systems

Parts are not original equipment parts and are not sponsored, affiliated, or otherwise connected with any major brand.

**A-744314M91** Water Pump 28.91 Lbs.  
*Replaces:* Perkins# 41313029



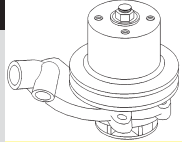
AGCO

ALLIS  
CHALMERS

DEUTZ

*For Models:* (2680, 2685, 2705, 3525 ALL W/ AT6.354.4 ENGINE)

**A-3637468M91** Water Pump 13.62 Lbs.

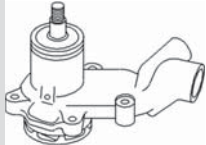


MASSEY  
FERGUSON

WHITE/  
OLIVER

*For Models:* (3050, 3070, 375, 390T, 393, 398, 50HT, 60HT ALL W/AT4.236 ENG), 383 W/A4.248 ENG & W/O CAB, 383 W/O CAB

**A-3638998M91** Water Pump w/o Pulley 8.38 Lbs.  
*Replaces:* 3637468M91, 41313218, 41313237



CNH

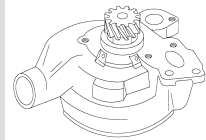
CASE-IH

FORD / NEW  
HOLLAND

FIAT

*For Models:* (3050, 3060 ALL W/A4.248 OR A4.236 ENG.), (3050, 3065, 3070, 375, 383, 390T, 393, 398, 50HT, 60HT ALL W/ AT4.236 ENG.), 383

**A-422028M91** Water Pump 17.46 Lbs.  
*Replaces:* 3641860M91, 3637249M91, 3638694M91



BELARUS

BOBCAT

*For Models:* 3095, 3120, 3125, 3140, 3655, 3660, 4263, 4270, 6170, 6180, 8120 SN < F3423F044008, 399 W/1006.6 ENG

JCB

**A-1753823M1** Water Pump Mounting Gasket 0.03 Lbs.



JOHN  
DEERE

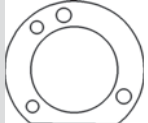
KUBOTA

*For Models:* 165, 175, 180, 3165, 50, 65

LANDINI

**A-1750296M1** Water Pump Support To Body Gasket 0.01 Lbs.

*Dim/Info:*  
sold in multiples of 5



LEYLAND

LONG

*For Models:* TE20, T020, T030

**A-1750077M1** Water Pump Mounting Gasket 0.03 Lbs.



OTHER

RENAULT

*For Models:* 135, 150, 202, 204, 20C, 2135, 230, 235, 245, 30B, 35, 50, TE20, T020, T030, T035

SAME

**A-3637576M1** Seal, Water Pump 0.07 Lbs.



VALTRA

VERSATILE

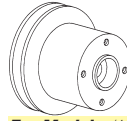
*For Models:* 1007, 165, 168, 174-4S, 175, 178, 185, 188, 20E, 20F, 240, 265, 274, 275, 285, 290, 3050, 3060, 3065, 3070, 30E, 30H, 350, 353, 355, 360, 363, 365, 373, 375, 377, 383, 387, 390, 390T, 393, 397, 398, 40E, 50, 50, 50B, 50B, 50B MKII, 50D, 50E, 50EX, 50H, 50H SERIES S, 50HX, 50HX SERIES S, 565, 575, 590, 60H, 60H, 60H SERIES S, 675, 690, 698T

YANMAR

ZETOR

SCHWARTZ  
SPEECO

**A-737257M1** Pulley, Water Pump 4.50 Lbs.  
*Replaces:* 31146952



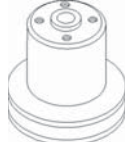
*For Models:* (1745, 184-4 ALL ITALY W/236 /248 PERKINS DSL ENG), 180 S. AF-RICA W/236 /248 PERKINS DSL ENG, (175, 255, 265, 275, 300, 31, 50C, 60, 6500 ALL W/236 /248 PERKINS DSL ENG)

**A-735034M1** Pulley, Water Pump 3.85 Lbs.  
*Replaces:* 31145741, 735036M91, 738625M91



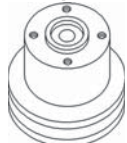
*For Models:* 135, 150, 154-4, 154-4S, 20, 203, 205, 20C, 20D, 20E, 20F, 2135, 230, 231, 235, 240, 240P, 240S, 245, 250, 2500, 253, 254-4, 263, 30B, 30D, 30E, 30H, 360, 364S, 40E

**A-1028017M1** Pulley, Water Pump 5.00 Lbs.



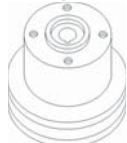
*For Models:* 6500 W/236 /248 PERKINS DSL ENG

**A-731805M1** Pulley, Water Pump 3.34 Lbs.  
*Replaces:* 31146582



*For Models:* (TRACTOR: 65 All Direct Injection Diesel / Regular Dsl. Eng. SN 2806843>, (165, 165 UK, 255 ALL Diesel)), (COMBINE: 300 Diesel), (INDUSTRIAL/ CONSTRUCTION: 30 Diesel, 40B, 50A, (302, 304, 3165 ALL Diesel))

**A-737636M1** Pulley, Water Pump (Single Groove) 4.00 Lbs.  
*Replaces:* Perkins# 31145812



*For Models:* (165, 175, 180, 255, 265, 30, 6500 ALL W/ Perkins Gas Engine)

**A-746727M1** Pulley, Water Pump (Single Groove) 5.21 Lbs.



*For Models:* 365, 375, 383, 390, 390T, 398, 4225, 4235, 4243, 4245, 4253, 4255

**A-746571M1** Pulley, Water Pump (Single Groove) 6.09 Lbs.



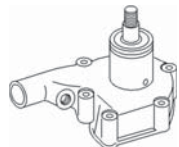
*For Models:* 290, 50H, 50HX, 60H, 6500H, 6800H, 50E POWER SHUTTLE, 283 UK

\*\*\* Truck icon indicates the item is shipped via truck freight. \*\*\*



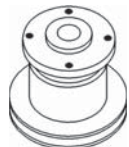
# Cooling Systems

**A-3641861M91** Water Pump 12.50 Lbs.  
*Replaces:* 734455M92, 742992M91, 740747M91, 748737M91, 3641310M91



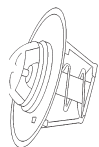
*For Models:* 510

**A-731280M1** Pulley, Water Pump (Single Groove) 3.56 Lbs.



*For Models:* 135 UK SN <152UA5275D, (35, 50 ALL W/ PERKINS DIESEL ENGINE), (203, 205 ALL W/ REGULAR DIESEL ENGINE)

**A-836000M1** Thermostat (180°) 0.15 Lbs.



*Dim/Info:*  
 18° Fahrenheit  
 82° Celcius  
 for T035, MF35, F40, & MF50

*For Models:* F40, T035, 35, 50

**A-181526M1** Thermostat Or Water Outlet Elbow Gasket 0.01 Lbs.



*For Models:* F40, T035, 35, 50

**A-181634M1** Thermostat (160°) 0.17 Lbs.



*Dim/Info:*  
 160° Fahrenheit  
 71° Celcius

*For Models:* TE20, T020, T030

**A-1446165M91** Thermostat (180°) 0.15 Lbs.  
*Replaces:* 2485666



*Dim/Info:*  
 180° Fahrenheit  
 82° Celcius  
 for MF135

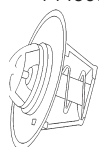
*For Models:* F40, T035, 1080, 1085, 1100, 1105, 1130, 1135, 130, 150, 154-4, 20, 20C, 20D, 20E, 202, 203, 204, 205, 2135, 2200, 2244, 235, 240, 245, 250, 2500, 253, 254-4, 285, 298, 30B, 30, 30E, 30H, 350, 360, 362, 40E, 4500, 470, 4830FC, 50, 540, 5500, 5830, 5830FC, 5860, 5870, 60, 60HT, 6030FC, 670, 690, 698, 70, 750, 760, (168, 175, 178 ALL SN <-724937 / A4.248 ENG), 135 W/AD 3.152 ENG, 148, 230, 35, 35X, 265, 275, 550 W/A3.152 ENG, 565, 575, 185, 188, 290, 590, FE35

**A-181732M1** Thermostat (180°) 0.16 Lbs.



*For Models:* TE20, T020, T030

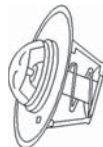
**A-1446222M91** Thermostat (180°) 0.13 Lbs.  
*Replaces:* 2485668, 2485655, 248585, 2485639, 890991M91, 1446073M91, 1853245M1, 883471M91



*Dim/Info:*  
 180° Fahrenheit  
 82° Celcius  
 for MF65 & MF165

*For Models:* (1100, 1130, 165 ALL Diesel), 165 UK W/AD4.203 ENG, (220, 255, 30, 300, 302, 304, 3165, 40B, 410, 50, 50A, 60, 65, 765, SUPER 90 ALL Diesel)

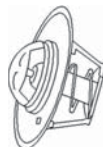
**A-1446127M1** Thermostat, w/o Gasket (180°) 0.15 Lbs.



*Dim/Info:*  
 180° Fahrenheit  
 82° Celcius

*For Models:* 168, 175, 178, 185, 188, 265, 275, 285, 290, 565, 575, 590

**A-1446165M1** Thermostat, w/o Gasket (180°) 0.15 Lbs.



*Dim/Info:*  
 180° Fahrenheit  
 82° Celcius

*For Models:* 1014, 1080, 1200, 135, 148, 174, 20B, 20D, 20E, 20F, 230, 240, 250, 254, 255, 274, 285, 298, 30D, 30E, 30H, 35, 350, 353, 355, 360, 363, 373, 377, 383, 387, 393, 397, 40, 40E, 50, 50B, 50D, 50E, 550, 595, 690, 698

**A-1447384M1** Thermostat (180°) 0.16 Lbs.



*Dim/Info:*  
 180° Fahrenheit  
 82° Celcius

*For Models:* 360, 1007, 3065, 3070, 390T, 398, 50, 50B, 3050, 365, 375, 698T, 390, 3060, 1014, 1114, 1250, 2620, 2625, 2640, 2645, 3090, 399, 699, 3080, 24, 27, 535, 530, 805, 3075, 4255, 4245, 6140, 6150, 6130, 8937, 3095, 4260, 4270, 3115, 399, 6160, 6170, 3120, 3120T, 3125, 3140, 3645, 3655, 3660, 6180, 6190, 8120, 3635, 8110, 8130, 4225, 4235, 4240, 6110, 6120, 620, 625, 750, 1134, 2680, 2685, 2720, 2725, 29, 31, 3630, 3650, 565, 29XP, 31XP, 665, 750, 820, 825, 830, 835, 840, 845, 6170 SN F014038> W/ 100

**A-V836331590** Thermostat (180°) 0.30 Lbs.



*For Models:* 3670, 3680, 3690, 8140, 8150, 8160 <2000, 8240, 8250, 8260 2001>, 8270, 8280

**A-V836015156** Thermostat (175°) 0.00 Lbs.



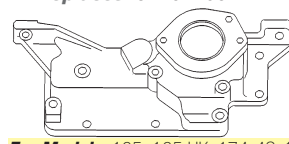
*For Models:* 3680, 8140, 8150, 8160, 8170, 8180, 8240, 8250, 8260, 8270, 8280

**A-747768M1** Thermostat Body 4.84 Lbs.  
*Replaces:* 37766364



*For Models:* 253, 360, 40E, 6030FC

**A-739379M3** Thermostat Body 7.30 Lbs.  
*Replaces:* 37762705



*Dim/Info:*  
 Repl. 37762705

*For Models:* 165, 165 UK, 174-4S, 175, 175 UK, 178, 180, 184-4, 255, 261, 265, 270, 274-4, 275, 275 UK, 282, 283, 283 UK, 285, 290, 290 UK, 294-4, (374S, 374V, 384S, 394S ALL < SN D03066), 1745, 6500, 6530, 6830, 6830C, 6830FC, 6860, 6870, 6880, 7830, 7830C, 7860, 7870, 7880, 8500, 8530F, 8830, 8860, 8870, 8880, 11, 24, 25, 30, 31, 50C, 50D, 50E, 50H, 60H, 6500, 6800H, 7500

Parts are not original equipment parts and are not sponsored, affiliated, or otherwise connected with any major brand.

AGCO

ALLIS  
 CHALMERS

DEUTZ

MASSEY  
 FERGUSON

WHITE/  
 OLIVER

CNH

CASE-IH

FORD / NEW  
 HOLLAND

FIAT

BELARUS

BOBCAT

JCB

JOHN  
 DEERE

KUBOTA

LANDINI

LEYLAND

LONG

McCORMICK

OTHER

RENAULT

SAME

VALTRA

VERSATILE

YANMAR

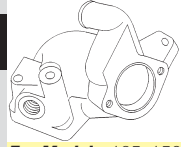
ZETOR

SCHWARTZ  
 SPEECO

\*\*\* Truck icon indicates the item is shipped via truck freight. \*\*\*

# Cooling Systems

**A-746835M1** Thermostat Body 4.78 Lbs.  
*Replaces:* 37766361



AGCO

ALLIS  
CHALMERS

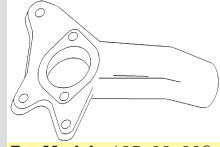
DEUTZ

MASSEY  
FERGUSON

WHITE/  
OLIVER

*For Models:* 135, 150, 154-4, 154-4S, 20, 20C, 20D, 20F, 200 SERIES, 203, 205, 2135, 2200, 2244, 230, 231, 235, 240, 240P, 245, 250, 2500, 254-4, 30B, 30D, 30E, 30H, 35, 40, 40F, 4500, 4830FC, 50, 5830, 5830FC, 5860, 5870

**A-731000M1** Thermostat Body Cap 2.36 Lbs.  
*Replaces:* 37747581



CNH

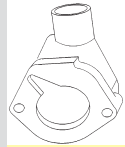
CASE-IH

FORD / NEW  
HOLLAND

FIAT

*For Models:* 135, 20, 20C, 20D, 20F, 202, 203, 205, 2135, 2200, 230, 231, 235, 240, 245, 250, 2500, 253, 30B, 30D, 30E, 30H, 35, 40, 40E, 4500

**A-735312M1** Thermostat Body Cap 2.05 Lbs.  
*Replaces:* 37735651



*For Models:* 11, 165, 175, 180, 24, 25, 255, 265, 270, 275, 283, 285, 290, 30, 31, 50C, 50D, 50E, 50H, 60H, 6500, 6500H, 6800H

**A-731254M1** Gasket, Thermostat Cap 0.02 Lbs.  
*Replaces:* 490482



BELARUS

BOBCAT

JCB

JOHN  
DEERE

KUBOTA

LANDINI

LEYLAND

LONG

McCORMICK

OTHER

RENAULT

SAME

VALTRA

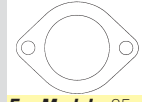
VERSATILE

YANMAR

ZETOR

SCHWARTZ  
SPEECO

**A-1650482M1** Gasket, Thermostat Body 0.01 Lbs.  
*Replaces:* 490184



*For Models:* 35, 50, 65, 130, 135, 150, 154-4, 154-4S, 165, 230, 235, 240, 245, 250, 254-4, 255, 360, SUPER 90, 300, 20, 20C, 20D, 20F, 25, 30, 30B, 30D, 30E, 30H, 40, 40B, 40E, 50A, 202, 203, 205, 302, 304, 356, 2135, 2200, 2244, 2500, 3165, 4500, 5830, 811

**A-745106M1** Gasket, Thermostat 0.15 Lbs.



*For Models:* 1007, 1080, 285, 298, 3050, 3060, 3065, 3070, 3075, 365, 372, 375, 382, 382N SN B18009>, 390, 390T, 398, 4225, 4235, 4240, 4245, 4255, 595, 6110, 6120, 6130, 6140, 6150, 675, 690 S/N 792123H>, 698, 698T

**A-181528M1** Water Outlet Elbow Gasket 0.01 Lbs.



*For Models:* F40, T020, T030, 135, 150, 202, 204, 20B, 20C, 2135, 2200, 230, 235, 2500, 35, 4500, 50

**A-1696784M1** Cable, Heater Control 0.46 Lbs.



*Dim/Info:*

25 1/2" Total Length

*For Models:* 360, (375, 390, 398 ALL S/N <-B18008), 399 W/ A6-354.4 ENGINE



*Dim/Info:*

Worm Drive  
Stainless Steel Clamp  
Cadmium Plated Screw

**A-C4P** Hose Clamp (Qty of 10) 0.20 Lbs.  
 Fits 1/4" to 5/8" Hose

**A-C6P** Hose Clamp (Qty of 10) 0.20 Lbs.  
 Fits 5/16" to 29/32" Hose

**A-C10P** Hose Clamp (Qty of 10) 0.05 Lbs.  
 Fits 9/16" to 1 1/16" Hose

**A-C12P** Hose Clamp (Qty of 10) 0.50 Lbs.  
 Fits 1 1/16" to 1 1/4" Hose

**A-C16P** Hose Clamp (Qty of 10) 0.05 Lbs.  
 Fits 3/4" to 1 1/2" Hose

**A-C20P** Hose Clamp (Qty of 10) 0.05 Lbs.  
 Fits 13/16" to 1 3/4" Hose

**A-C24P** Hose Clamp (Qty of 10) 0.60 Lbs.  
 Fits 1 1/16" to 2" Hose

**A-C28P** Hose Clamp (Qty of 10) 0.65 Lbs.  
 Fits 1 5/16" to 2 1/4" Hose

**A-C32P** Hose Clamp (Qty of 10) 0.06 Lbs.  
 Fits 1 9/16" to 2 1/2" Hose

**A-C36P** Hose Clamp (Qty of 10) 0.07 Lbs.  
 Fits 1 13/16" to 2 3/4" Hose

**A-C40P** Hose Clamp (Qty of 10) 0.07 Lbs.  
 Fits 2 1/16" to 3" Hose

**A-C44P** Hose Clamp (Qty of 10) 0.08 Lbs.  
 Fits 2 5/16" to 3 1/4" Hose

**A-C48P** Hose Clamp (Qty of 10) 0.08 Lbs.  
 Fits 2 9/16" to 3 1/2" Hose

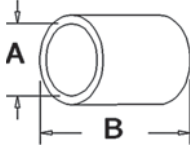
**A-C56P** Hose Clamp (Qty of 10) 0.09 Lbs.  
 Fits 3 1/16" to 4" Hose

*For Models:* FITS SEVERAL MODELS

Parts are not original equipment parts and are not sponsored, affiliated, or otherwise connected with any major brand.

\*\*\* Truck icon indicates the item is shipped via truck freight. \*\*\*

# Cooling Systems



Parts are not original equipment parts and are not sponsored, affiliated, or otherwise connected with any major brand.

<b>A-HS03753</b> 3/8" x 11/16" x 10'	Bulk Hose	1.42 Lbs.
<b>A-HS05003</b> 1/2" X 27/32" X 10'	Bulk Hose	1.82 Lbs.
<b>A-HS06253</b> 5/8" X 1" X 10'	Bulk Hose	2.40 Lbs.
<b>A-HS07503</b> 3/4" X 1-1/8" X 10'	Bulk Hose	2.43 Lbs.
<b>A-HS10003</b> 1" X 1-3/8" X 10'	Bulk Hose	3.26 Lbs.
<b>A-HS12503</b> 1-1/4" X 1-5/8" X 3'	Bulk Hose	1.10 Lbs.
<b>A-HS12504</b> 1-1/4" X 1-3/4" X 3'	Bulk Hose	1.70 Lbs.
<b>A-HS13753</b> 1-3/8" x 1-3/4" x 3'	Bulk Hose	1.38 Lbs.
<b>A-HS15003</b> 1-1/2" X 1-7/8" X 3'	Bulk Hose	1.72 Lbs.
<b>A-HS15623</b> 1-9/16"X1-15/16"X 3'	Bulk Hose	1.64 Lbs.
<b>A-HS16253</b> 1-5/8" X 2" X 3'	Bulk Hose	1.64 Lbs.
<b>A-HS17503</b> 1-3/4" X 2-1/8" X 3'	Bulk Hose	2.32 Lbs.
<b>A-HS18753</b> 1-7/8" X 2-1/4" X 3'	Bulk Hose	2.32 Lbs.
<b>A-HS20003</b> 2" x 2-3/8" x 3'	Bulk Hose	2.08 Lbs.
<i>Replaces:</i> 12876DB, 351964R2, 375546R1, 377146R1		
<b>A-HS21253</b> 2-1/8" x 2-1/2" x 3'	Bulk Hose	2.60 Lbs.
<b>A-HS22503</b> 2-1/4" X 2-5/8" X 3'	Bulk Hose	2.48 Lbs.
<b>A-HS23753</b> 2-3/8" x 2-3/4" x 3'	Bulk Hose	2.68 Lbs.
<b>A-HS25003</b> 2-1/2" X 2-7/8" X 3'	Bulk Hose	3.16 Lbs.
<b>A-HS26253</b> 2-5/8" X 3" X 3'	Bulk Hose	2.96 Lbs.
<b>A-HS27503</b> 2-3/4" X 3-1/8" X 3'	Bulk Hose	3.58 Lbs.
<b>A-HS28753</b> 2-7/8" X 3-1/4" X 3'	Bulk Hose	4.20 Lbs.
<b>A-HS30003</b> 3" X 3-3/8" X 3'	Bulk Hose	4.56 Lbs.
<b>A-HS31253</b> 3-1/8" X 3-1/2" X 3'	Bulk Hose	4.92 Lbs.
<b>A-HS32503</b> 3-1/4" X 3-5/8" X 3'	Bulk Hose	4.72 Lbs.
<b>A-HS35003</b> 3-1/2" X 3-7/8" X 3'	Bulk Hose	3.90 Lbs.
<b>A-HS40003</b> 4" X 4-3/8" X 3'	Bulk Hose	5.42 Lbs.

**For Models:**

AGCO

ALLIS  
CHALMERS

DEUTZ

MASSEY  
FERGUSON

WHITE/  
OLIVER

CNH

CASE-IH

FORD / NEW  
HOLLAND

FIAT

BELARUS

BOBCAT

JCB

JOHN  
DEERE

KUBOTA

LANDINI

LEYLAND

LONG

MCCORMICK

OTHER

RENAULT

SAME

VALTRA

VERSATILE

YANMAR






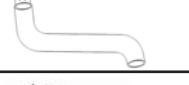













ZETOR

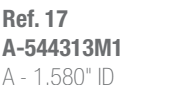


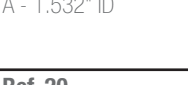



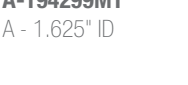
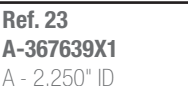


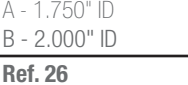


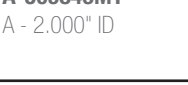
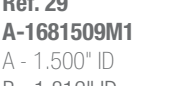



SCHWARTZ  
SPEECO

\*\*\* Truck icon indicates the item is shipped via truck freight.\*\*\*

# Cooling Systems

## Radiator Hoses

<b>AGCO</b>	<b>Ref. 1</b> <b>A-512058M1</b> A - 1.500" ID	
<b>ALLIS CHALMERS</b>	<b>Ref. 2</b> <b>A-520656M1</b> A - 2.000" ID B - 2.250" ID	
<b>MASSEY FERGUSON</b>	<b>Ref. 3</b> <b>A-1669806M1</b> A - 1.650" ID	
<b>WHITE/OLIVER</b>	<b>Ref. 4</b> <b>A-512158M1</b> A - 2.000" ID	
<b>CNH</b>	<b>Ref. 5</b> <b>A-515234M1</b> A - 1.500" ID	
<b>CASE-IH</b>	<b>Ref. 6</b> <b>A-506380M1</b> A - 1.562" ID	
<b>FORD / NEW HOLLAND</b>	<b>Ref. 7</b> <b>A-3596204M1</b> A - 2.000" ID	
<b>FIAT</b>	<b>Ref. 8</b> <b>A-3039215M1</b> A - 2.250" ID	
<b>BELARUS</b>	<b>Ref. 9</b> <b>A-3039214M1</b> A - 1.625" ID	
<b>BOBCAT</b>	<b>Ref. 10</b> <b>A-186968M1</b> A - 1.500" ID	
<b>JCB</b>	<b>Ref. 69</b> <b>A-898748M1</b> A - 1.500" ID	
<b>JOHN DEERE</b>	<b>Ref. 13</b> <b>A-194738M1</b> A - 1.500" ID	
<b>KUBOTA</b>	<b>Ref. 14</b> <b>A-1692004M1</b> A - 1.500" ID	
<b>LANDINI</b>	<b>Ref. 15</b> <b>A-742999M1</b> A - 1.625" ID	
<b>LEYLAND</b>	<b>Ref. 16</b> <b>A-1424533M2</b> A - 1.580" ID	
<b>LONG</b>	<b>Ref. 17</b> <b>A-544313M1</b> A - 1.580" ID	
<b>McCORMICK</b>	<b>Ref. 18</b> <b>A-544080M1</b> A - 1.500" ID	
<b>OTHER</b>	<b>Ref. 19</b> <b>A-544130M2</b> A - 1.532" ID	
<b>RENAULT</b>	<b>Ref. 20</b> <b>A-1695564M1</b> A - 1.625" ID B - 2.312" ID	
<b>SAME</b>	<b>Ref. 21</b> <b>A-1692870M1</b> A - 1.280" ID	
<b>VALTRA</b>	<b>Ref. 22</b> <b>A-194299M1</b> A - 1.625" ID	
<b>VERSATILE</b>	<b>Ref. 23</b> <b>A-367639X1</b> A - 2.250" ID	
<b>YANMAR</b>	<b>Ref. 24</b> <b>A-826775M1</b> A - 1.532" ID	
<b>ZETOR</b>	<b>Ref. 25</b> <b>A-520309M91</b> A - 1.750" ID B - 2.000" ID	
<b>SCHWARTZ SPEECO</b>	<b>Ref. 26</b> <b>A-579773M1</b> A - 1.656" ID	

<b>Ref. 27</b> <b>A-503595M1</b> A - 2.125" ID	
<b>Ref. 28</b> <b>A-509843M1</b> A - 2.000" ID	
<b>Ref. 29</b> <b>A-1681509M1</b> A - 1.500" ID B - 1.812" ID	
<b>Ref. 30</b> <b>A-532542M1</b> A - 2.000" ID	
<b>Ref. 31</b> <b>A-1669805M1</b> A - 2.000" ID	
<b>Ref. 32</b> <b>A-522078M1</b> A - 2.000" ID	
<b>Ref. 33</b> <b>A-519437M1</b> A - 1.500" ID	
<b>Ref. 34</b> <b>A-1691477M1</b> A - 1.650" ID	
<b>Ref. 36</b> <b>A-1696559M1</b> A - 1.532" ID	
<b>Ref. 37</b> <b>A-1860374M2</b> A - 1.500" ID B - 1.562" ID	
<b>Ref. 38</b> <b>A-1694711M3</b> A - 1.250" ID B - 1.500" ID	
<b>Ref. 39</b> <b>A-184325M1</b> A - 1.532" ID	
<b>Ref. 40</b> <b>A-3596194M1</b> A - 1.562" ID B - 2.250" ID	
<b>Ref. 41</b> <b>A-518179M91</b> A - 2.060" ID	
<b>Ref. 42</b> <b>A-743001M1</b> A - 2.000" ID	
<b>Ref. 43</b> <b>A-899144M1</b> A - 1.625" ID	
<b>Ref. 44</b> <b>A-1695562M1</b> A - 1.532" ID	
<b>Ref. 45</b> <b>A-2800304M1</b> A - 1.532" ID	
<b>Ref. 46</b> <b>A-194735M2</b> A - 1.532" ID	

Parts are not original equipment parts and are not sponsored, affiliated, or otherwise connected with any major brand.

# Cooling Systems

## Radiator Hoses

Parts are not original equipment parts and are not sponsored, affiliated, or otherwise connected with any major brand.

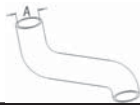
**Ref. 47**  
**A-505617M1**  
A - 1.500" ID



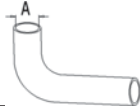
**Ref. 48**  
**A-539808M2**  
A - 1.532" ID



**Ref. 49**  
**A-194736M1**  
A - 1.532" ID



**Ref. 50**  
**A-1691476M1**  
A - 2.125" ID



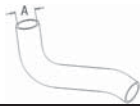
**Ref. 51**  
**A-3281312M1**  
A - 1.125" ID  
B - 1.250" ID



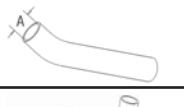
**Ref. 52**  
**A-3282395M1**  
A - 1.312" ID



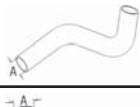
**Ref. 53**  
**A-515224M1**  
A - 1.625" ID



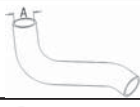
**Ref. 54**  
**A-180783M1**  
A - 1.532" ID



**Ref. 55**  
**A-885563M1**  
A - 1.600" ID



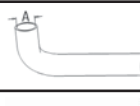
**Ref. 56**  
**A-520646M1**  
A - 1.625" ID



**Ref. 57**  
**A-1695868M1**  
A - 1.312" ID  
B - 1.625" ID



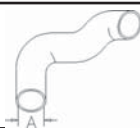
**Ref. 58**  
**A-3599573M3**  
A - 1.532" ID



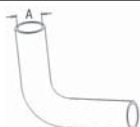
**Ref. 59**  
**A-3281311M1**  
A - 1.062" ID  
B - 1.250" ID



**Ref. 60**  
**A-3040882M92**  
A - 2.250" ID



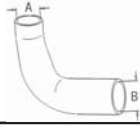
**Ref. 61**  
**A-527775M1**  
A - 2.312" ID



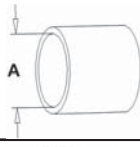
**Ref. 62**  
**A-1626285M91**  
A - 3.000" ID



**Ref. 63**  
**A-3040296M92**  
A - 2.500" ID  
B - 3.000" ID



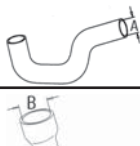
**Ref. 64**  
**A-746469M1**  
A - 1.812" ID



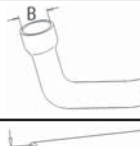
**Ref. 65**  
**A-728354M1**  
A - .750" ID



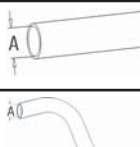
**Ref. 66**  
**A-506378M1**  
A - 1.562" ID



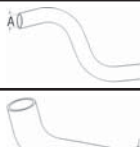
**Ref. 67**  
**A-532541M2**  
A - 1.750" ID  
B - 2.000" ID



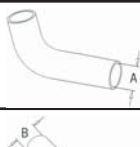
**Ref. 68**  
**A-731256M1**  
A - 1.000" ID



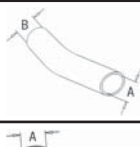
**Ref. 69**  
**A-898748M1**  
A - 1.500" ID



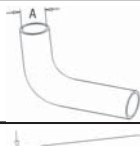
**Ref. 70**  
**A-732443M1**  
A - 1.375" ID



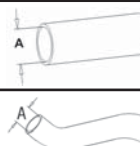
**Ref. 71**  
**A-1869514M1**  
A - 1.375" ID  
B - 1.437" ID



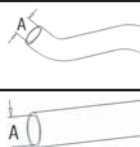
**Ref. 72**  
**A-194734M1**  
A - 1.500" ID



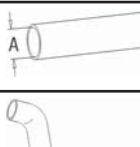
**Ref. 73**  
**A-3303316M1**  
A - 1.750" ID



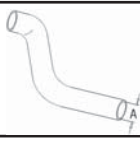
**Ref. 74**  
**A-194739M2**  
A - 1.500" ID



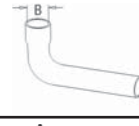
**Ref. 75**  
**A-182345M1**  
A - 1.532" ID



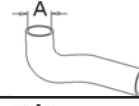
**Ref. 76**  
**A-1824634M2**  
A - 1.500" ID



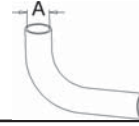
**Ref. 77**  
**A-3611652M1**  
A - 1.500" ID  
B - 1.812" ID



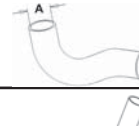
**Ref. 78**  
**A-1695563M1**  
A - 2.000" ID



**Ref. 79**  
**A-1692871M1**  
A - 2.000" ID



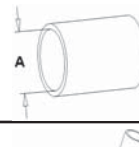
**Ref. 80**  
**A-772165M3**  
A - 2.000" ID



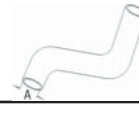
**Ref. 81**  
**A-3308585M1**  
A - 1.500" ID



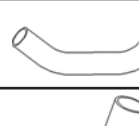
**Ref. 82**  
**A-362005X1**  
A - 2.000" ID



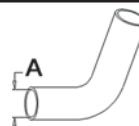
**Ref. 83**  
**A-534180M1**  
A - 1.625" ID



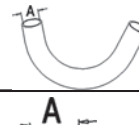
**Ref. 30**  
**A-72097702**  
A - 1.312"



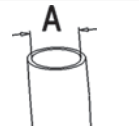
**Ref. 29**  
**A-72097704**  
A - 1.250"



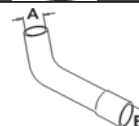
**Ref. 32**  
**A-72098630**  
A - 1.250"



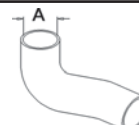
**Ref. 87**  
**A-898065M1**  
A - 1.50"



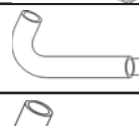
**Ref. 89**  
**A-827930M1**  
A - 1.50"  
B - 1.75"



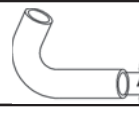
**Ref. 90**  
**A-747946M91**  
A - 1.750"



**Ref. 91**  
**A-825684M1**  
A - .900"



**Ref. 92**  
**A-826257M1**  
A - .900"



AGCO

ALLIS  
CHALMERS

DEUTZ

MASSEY  
FERGUSON

WHITE/  
OLIVER

CNH

CASE-IH

FORD / NEW  
HOLLAND

FIAT

BELARUS

BOBCAT

JCB

JOHN  
DEERE

KUBOTA

LANDINI

LEYLAND

LONG

MCCORMICK

OTHER

RENAULT

SAME

VALTRA

VERSATILE


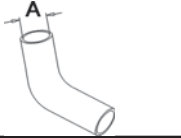



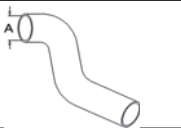


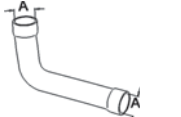


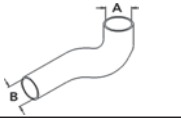
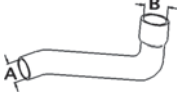
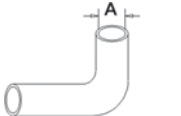
YANMAR

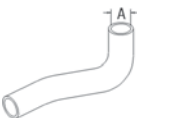

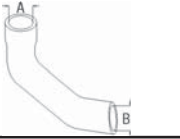







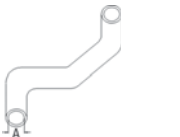


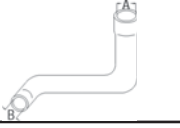
ZETOR


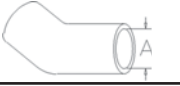


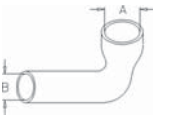


SCHWARTZ  
SPEECO

# Cooling Systems

## Radiator Hoses

<b>AGCO</b>	<b>Ref. 93</b> <b>A-826988M1</b> A- 1.375"	
<b>ALLIS CHALMERS</b>	<b>Ref. 94</b> <b>A-3382976M2</b> A- 1.950"	
<b>MASSEY FERGUSON</b>	<b>Ref. 95</b> <b>A-535203M1</b> A- 1.625"	
<b>WHITE/OLIVER</b>	<b>Ref. 96</b> <b>A-3387747M1</b> A- 1.950"	
<b>CNH</b>	<b>Ref. 97</b> <b>A-890195M1</b> A- 1.500"	
<b>CASE-IH</b>	<b>Ref. 98</b> <b>A-898745M1</b> A- 1.500"	
<b>FORD / NEW HOLLAND</b>	<b>Ref. 99</b> <b>A-825657M1</b> A- 1.375"	
<b>FIAT</b>	<b>Ref. 100</b> <b>A-731174M1</b> A - 1.440"	
<b>BELARUS</b>	<b>Ref. 101</b> <b>A-1671076M1</b> A- 2.00"	
<b>BOBCAT</b>	<b>Ref. 102</b> <b>A-827496M1</b> A- 1.500"	
<b>JCB</b>	<b>Ref. 103</b> <b>A-3637573M1</b> A- 1.125"	
<b>JOHN DEERE</b>	<b>Ref. 104</b> <b>A-3382985M1</b> A- 2.25" B- 1.95"	
<b>KUBOTA</b>	<b>Ref. 105</b> <b>A-3382984M1</b> A- 1.625" B- 1.950"	
<b>LANDINI</b>	<b>Ref. 107</b> <b>A-826199M1</b> A- .906"	
<b>LEYLAND</b>		
<b>LONG</b>		
<b>MCCORMICK</b>		
<b>OTHER</b>		
<b>RENAULT</b>		
<b>SAME</b>		
<b>VALTRA</b>		
<b>VERSATILE</b>		
<b>YANMAR</b>		
<b>ZETOR</b>		
<b>SCHWARTZ SPEECO</b>		

<b>Ref. 108</b> <b>A-180145M1</b> A- 1.500"	
<b>Ref. 109</b> <b>A-3637257M91</b> A- 1.50"	
<b>Ref. 110</b> <b>A-3618641M1</b> A- 2.125" B- 2.00"	
<b>Ref. 111</b> <b>A-3619026M1</b> A- 2.156" B- 1.937"	
<b>Ref. 112</b> <b>A-3619054M1</b> A- 1.937" B- 1.625"	
<b>Ref. 113</b> <b>A-3619055M1</b> A- 1.937" B- 1.625"	
<b>Ref. 114</b> <b>A-3582179M2</b>	
<b>Ref. 115</b> <b>A-3619056M1</b> A- 1.937"	
<b>Ref. 116</b> <b>A-3640921M91</b> A- 1.125"	
<b>Ref. 117</b> <b>A-3780508M3</b> A- 2.250" B- 1.937"	
<b>Ref. 118</b> <b>A-3801167M1</b> A- 2.00"	
<b>Ref. 119</b> <b>A-3801168M1</b> A- 2.156" B- 2.00"	
<b>Ref. 120</b> <b>A-3807508M1</b> A- 2.00"	
<b>Ref. 121</b> <b>A-3807509M1</b> A- 2.000" B- 1.625"	

<b>Ref. 122</b> <b>A-3809505M1</b> A- 2.00"	
<b>Ref. 123</b> <b>A-4222846M91</b> A- 1.375"	
<b>Ref. 124</b> <b>A-4223764M91</b> A- 1.375"	
<b>Ref. 125</b> <b>A-187554M1</b> A- 1.50"	
<b>Ref. 126</b> <b>A-3614419M1</b> A- 2.250" B- 1.625"	
<b>Ref. 127</b> <b>A-3698937M1</b> A- 1.50" B- 1.25"	
<b>Ref. 128</b> <b>A-511951M1</b> A- 1.50"	

Parts are not original equipment parts and are not sponsored, affiliated, or otherwise connected with any major brand.

# Cooling Systems

## RADIATOR HOSES

See hose drawings and dimensions on pages directly before applications.

Parts are not original equipment parts and are not sponsored, affiliated, or otherwise connected with any major brand.

Model/ Special Applications	Upper Rad. Hose	Ref. #	Lower Rad. Hose	Ref. #	Other Hose Locations	Other Part #	Ref. #	AGCO
FE35			A-826988M1	93	Radiator Hose, Lower	A-826257M1	92	ALLIS CHALMERS
FE35 W/ 23C DIESEL ENGINE SN <7704	A-827496M1	102						DEUTZ
TE20			A-180145M1	108				MASSEY FERGUSON
TEA20			A-180145M1	108				WHITE/ OLIVER
TEA20 W/ 80MM OR 85MM ENGINE, TED20 W/ 85MM ENGINE			A-825657M1	99	Radiator Hose, Lower	A-825684M1	91	
TO20			A-180145M1	108				
TO30			A-180145M1	108				
TO35			A-826988M1	93	Radiator Hose, Lower	A-826199M1	107	
TO35 W/ STANDARD DIESEL ENGINE	A-827496M1	102						CNH
20					Radiator Hose, Bypass	A-731256M1	68	CASE-IH
20					Hose, Water Pump to Cylinder Block	A-732443M1	70	FORD / NEW HOLLAND
20C DSL			A-511951M1	128	Radiator Hose, Lower	A-732443M1	70	FIAT
20D	A-1869514M1	71			Radiator Hose, Top	A-731256M1	68	
20D					Hose, Water Pump to Cylinder Block	A-732443M1	70	
20E					Hose, Water Pump to Cylinder Block	A-732443M1	70	
20F					Radiator Hose, Bypass	A-731256M1	68	BELARUS
20F					Hose, Water Pump to Cylinder Block	A-732443M1	70	BOBCAT
30B DSL			A-511951M1	128	Radiator Hose, Lower	A-732443M1	70	JCB
30B					Radiator Hose, Bypass	A-731256M1	68	JOHN DEERE
30D			A-511951M1	128	Radiator Hose, Lower	A-731256M1	68	KUBOTA
30D					Hose, Water Pump to Cylinder Block	A-732443M1	70	LANDINI
30E					Radiator Hose, Bypass	A-731256M1	68	LEYLAND
30E					Hose, Water Pump to Cylinder Block	A-732443M1	70	LONG
30H					Radiator Hose, Bypass	A-731256M1	68	McCORMICK
30H					Hose, Water Pump to Cylinder Block	A-732443M1	70	OTHER
35					By-Pass Hose	A-826199M1	107	RENAULT
35 W/ A3.152 / AD3.152 ENGINES					Radiator Hose, Bypass	A-731256M1	68	SAME
30 W/AD4-203 DIESEL ENGINE					Radiator Hose, Inlet	A-731174M1	100	VALTRA
30 ENG SN: 203UA97890 >					By-Pass Hose	A-747942M91		VERSATILE
35 W/ A3.152 ENGINE	A-890195M1	97			Radiator Hose, Upper	A-732443M1	70	YANMAR
35 TURF					Hose, Water Pump to Cylinder Block	A-732443M1	70	ZETOR
35 UTILITY					Hose, Water Pump to Cylinder Block	A-732443M1	70	
35X					By-Pass Hose	A-826199M1	107	
35X W/ A3.152 / AD3.152 ENGINES					Radiator Hose, Bypass	A-731256M1	68	
35X W/ A3.152 ENGINE					Hose, Water Pump to Cylinder Block	A-732443M1	70	SCHWARTZ SPEECO

# Cooling Systems

## RADIATOR HOSES

See hose drawings and dimensions on pages directly before applications.

AGCO	Model/ Special Applications	Upper Rad. Hose	Ref. #	Lower Rad. Hose	Ref. #	Other Hose Locations	Other Part #	Ref. #
ALLIS CHALMERS	35X					Hose, Water Pump to Cylinder Block	A-732443M1	70
DEUTZ								
MASSEY FERGUSON	40 GAS & DSL			A-511951M1	128	Radiator Hose, Lower	A-731256M1	68
	40					Hose, Water Pump to Cylinder Block	A-732443M1	70
WHITE/ OLIVER	40B W/AD4-203 DIESEL ENGINE					Radiator Hose, Inlet	A-731174M1	100
	40E					Radiator Hose, Bypass	A-731256M1	68
	50					Radiator Hose, Bypass	A-731256M1	68
	50A ENG SN: 203UA97890 >					By-Pass Hose	A-747942M91	
	50 DSL, 50A			A-187554M1	125			
CNH	50B SN L5374> W/ A4.212 OR A4.236 ENGINE	A-535203M1	95					
CASE-IH	(50B MKII, 50D ALL W/ A4.236 ENGINE)	A-535203M1	95					
	(50H, 50HX, 60H ALL SERIES S W/ A4.236 ENGINE)	A-535203M1	95					
FORD / NEW HOLLAND	50 W/ AD4.203 Engine			A-898065M1	87			
FIAT	50 W/AD4-203 DIESEL ENGINE					Radiator Hose, Inlet	A-731174M1	100
	50A W/AD4-203 DIESEL ENGINE					Radiator Hose, Inlet	A-731174M1	100
	50 MASSEY HARRIS					Hose, Water Pump to Cylinder Block	A-732443M1	70
	65 W/ A4.192 OR AD4.203 ENGINES	A-827930M1	89			Radiator Hose, Upper	A-731174M1	100
BELARUS	65 DSL			A-187554M1	125			
BOBCAT	135 DSL	A-182345M1	75	A-186968M1	10			
JCB	135 GAS, DELUXE / SP CONTNL ENG	A-194299M1	22	A-180783M1	54			
JOHN DEERE	135 GAS, PERKINS DSL.	A-182345M1	75	A-519437M1	33	Radiator Hose, Top	A-732443M1	70
	135 GAS, PERKINS DSL.	A-182345M1	75	A-519437M1	33	Radiator Hose, Top	A-731256M1	68
KUBOTA	135					Radiator Hose, Bypass	A-731256M1	68
	135 UK					Hose, Water Pump to Cylinder Block	A-732443M1	70
LANDINI								
	135 UK MODEL ONLY			A-826988M1	93	Radiator Hose, Lower	A-826257M1	92
LEYLAND	135 UK SN <-148525	A-1869514M1	71	A-186968M1	10			
LONG	135 UK SN 148525->	A-1869514M1	71	A-1860374M2	37			
McCORMICK	135 W/ A3.152 & AD3.152 ENGINES					Radiator Hose, Bypass	A-731256M1	68
	135 W/ AD3.152 ENGINE					Hose, Water Pump to Cylinder Block	A-732443M1	70
OTHER								
	148 W/ A3.152 & AD3.152 ENGINES					Radiator Hose, Bypass	A-731256M1	68
RENAULT	148 W/ AD3.152 ENGINE					Hose, Water Pump to Cylinder Block	A-732443M1	70
SAME								
	150 DSL			A-505617M1	47			
VALTRA	150 GAS CONTNL ENG			A-184325M1	39			
VERSATILE	150 GAS PERKINS ENG			A-505617M1	47	Radiator Hose, Bottom	A-732443M1	70
	150 GAS PERKINS ENG			A-505617M1	47	Radiator Hose, Bottom	A-731256M1	68
YANMAR	150					Radiator Hose, Bypass	A-731256M1	68
ZETOR	154-4					Radiator Hose, Bypass	A-731256M1	68
	154-4			A-1824634M2	76	Radiator Hose, Bottom	A-732443M1	70
SCHWARTZ SPEECO	154-4S					Hose, Water Pump to Cylinder Block	A-732443M1	70

Parts are not original equipment parts and are not sponsored, affiliated, or otherwise connected with any major brand.



# Cooling Systems

## RADIATOR HOSES

See hose drawings and dimensions on pages directly before applications.

Parts are not original equipment parts and are not sponsored, affiliated, or otherwise connected with any major brand.

Model/ Special Applications	Upper Rad. Hose	Ref. #	Lower Rad. Hose	Ref. #	Other Hose Locations	Other Part #	Ref. #	AGCO
165 UK W/ AD4.203 Engine			A-898065M1	87	Radiator Hose, Lower	A-731174M1	100	ALLIS CHALMERS
165 CONTNL ENG	A-194734M1	72	A-194735M2	46				DEUTZ
165 DSL	A-194738M1	13	A-194739M2	74				MASSEY FERGUSON
165 GAS PERKINS ENG. SN <-67215	A-194736M1	49	A-515224M1	53				WHITE/ OLIVER
165 GAS PERKINS ENG. SN 67215->	A-194736M1	49	A-520646M1	56				CNH
168 W/A4.236 ENG	A-899144M1	43	A-898748M1	69				CASE-IH
175 DSL.	A-194736M1	49	A-898748M1	69				FORD / NEW HOLLAND
175 GAS CONTNL ENG	A-194734M1	72	A-194735M2	46				FIAT
175 GAS PERKINS ENG. SN <-67215	A-194736M1	49	A-515224M1	53				
175 GAS PERKINS ENG. SN 67215->	A-194736M1	49	A-520646M1	56				
175 LP GAS			A-194735M2	46				
178 SN <724936 W/ A4.248 ENGINE, 175 W/ A4.236 ENGINE			A-898745M1	98				
178 W/ A4.248 ENGINE, SN 724937->	A-899144M1	43						
180 DSL	A-506380M1	6	A-506378M1	66				
180 GAS CONTNL ENG.	A-506380M1	6						
180 GAS PERKINS ENG. SN 67215->	A-506380M1	6						
180 GAS PERKINS ENG. SN <-67215	A-506380M1	6	A-515234M1	5				
184-4			A-1424533M2	16				
185 W/A4.248 ENG	A-899144M1	43	A-898748M1	69				BELARUS
188 W/A4.248 ENG	A-899144M1	43						BOBCAT
200 SERIES					Radiator Hose, Bypass	A-731256M1	68	JCB
202					Radiator Hose, Bypass	A-731256M1	68	JOHN DEERE
203					Radiator Hose, Bypass	A-731256M1	68	KUBOTA
205	A-3281312M1	51	A-3281311M1	59	Radiator Hose, Top	A-731256M1	68	LANDINI
205-4	A-3281312M1	51	A-3281311M1	59				LEYLAND
210	A-72097704	29	A-72097702	30				LONG
210-4	A-72097704	29	A-72097702	30				McCORMICK
220	A-3282395M1	52	A-72098630	32				OTHER
220-4	A-3282395M1	52	A-72098630	32				RENAULT
230	A-1869514M1	71	A-1860374M2	37				SAME
230 DSL SN <-243032	A-182345M1	75	A-186968M1	10				VALTRA
230 GAS SN SN 243032->	A-539808M2	48	A-544080M1	18	Radiator Hose, Top	A-826775M1	24	VERSATILE
230 GAS SN <-243032	A-194299M1	22	A-544313M1	17				YANMAR
230 GAS SN SN 243032->	A-544130M2	19	A-544080M1	18				ZETOR
230 W/ AD3.152 ENGINE					Radiator Hose, Bypass	A-731256M1	68	
230 W/ AD3.152 ENGINE					Hose, Water Pump to Cylinder Block	A-732443M1	70	
231					Radiator Hose, Bypass	A-731256M1	68	
231					Hose, Water Pump to Cylinder Block	A-732443M1	70	
235 DSL, STD CLEARANCE / VINYARD ONLY	A-182345M1	75	A-186968M1	10				
235 GAS, STD CLEARANCE - NOT ORCHARD	A-194299M1	22	A-544313M1	17				
235					Radiator Hose, Bypass	A-731256M1	68	SCHWARTZ SPEECO

# Cooling Systems

## RADIATOR HOSES

See hose drawings and dimensions on pages directly before applications.

AGCO	Model/ Special Applications	Upper Rad. Hose	Ref. #	Lower Rad. Hose	Ref. #	Other Hose Locations	Other Part #	Ref. #
ALLIS CHALMERS	235					Hose, Water Pump to Cylinder Block	A-732443M1	70
DEUTZ								
MASSEY FERGUSON	235 ORCHARD, DSL			A-511951M1	128			
	240	A-1869514M1	71	A-1860374M2	37			
WHITE/ OLIVER	240 SN: A20286 >, 4WD			A-3698937M1	127			
	240					Radiator Hose, Bypass	A-731256M1	68
	240					Hose, Water Pump to Cylinder Block	A-732443M1	70
	240P					Radiator Hose, Bypass	A-731256M1	68
	245			A-511951M1	128			
CNH	245 DSL, STD CLEARANCE / VINYARD ONLY	A-539808M2	48	A-544080M1	18			
CASE-IH	245 DSL, STD CLEARANCE / VINYARD ONLY	A-539808M2	48	A-544080M1	18	Radiator Hose, Top	A-826775M1	24
	245 GAS, STD CLEARANCE ONLY	A-544130M2	19	A-544080M1	18			
FORD / NEW HOLLAND	245					Radiator Hose, Bypass	A-731256M1	68
FIAT	245					Hose, Water Pump to Cylinder Block	A-732443M1	70
	250	A-1869514M1	71	A-1860374M2	37			
	250 W/ AD3.152 ENGINE					Radiator Hose, Bypass	A-731256M1	68
	250 W/ AD3.152 ENGINE					Hose, Water Pump to Cylinder Block	A-732443M1	70
BELARUS	253 4WD			A-3698937M1	127	Radiator Hose, Lower	A-731256M1	68
BOBCAT	253					Hose, Water Pump to Cylinder Block	A-732443M1	70
JCB	253 UK	A-1869514M1	71	A-3599573M3	58			
JOHN DEERE	254-4					Radiator Hose, Bypass	A-731256M1	68
	254-4					Hose, Water Pump to Cylinder Block	A-732443M1	70
KUBOTA								
	254-4			A-1824634M2	76			
LANDINI	255 DSL A4-236	A-194736M1	49	A-898748M1	69			
LEYLAND	255 DSL AD4-203	A-194738M1	13	A-194739M2	74	Radiator Hose, Top	A-731174M1	100
LONG	255 GAS	A-194736M1	49	A-520646M1	56			
McCORMICK	263					Hose, Water Pump to Cylinder Block	A-732443M1	70
	265 DSL	A-194736M1	49	A-898748M1	69			
OTHER	265 GAS	A-194736M1	49	A-520646M1	56			
RENAULT	265 W/4.236 ENG	A-1869514M1	71	A-898748M1	69			
SAME	270	A-899144M1	43	A-885563M1	55			
	274-4			A-1424533M2	16			
VALTRA	275 SN <-349239	A-194736M1	49	A-534180M1	83			
VERSATILE	275 SN 349239->	A-194736M1	49	A-579773M1	26			
	275 W/4.236 ENG	A-1869514M1	71	A-898748M1	69			
YANMAR	275	A-899144M1	43					
ZETOR	282	A-899144M1	43	A-885563M1	55			
	282	A-899144M1	43					
SCHWARTZ SPEECO	283 BRAZIL	A-2800304M1	45	A-885563M1	55			

Parts are not original equipment parts and are not sponsored, affiliated, or otherwise connected with any major brand.

# Cooling Systems

## RADIATOR HOSES

See hose drawings and dimensions on pages directly before applications.

Parts are not original equipment parts and are not sponsored, affiliated, or otherwise connected with any major brand.

Model/ Special Applications	Upper Rad. Hose	Ref. #	Lower Rad. Hose	Ref. #	Other Hose Locations	Other Part #	Ref. #	AGCO
283 UK	A-1692004M1	14	A-885563M1	55				ALLIS CHALMERS
285 SN <-349239	A-532542M1	30	A-532541M2	67				DEUTZ
285 SN 349239->	A-772165M3	80	A-532541M2	67				MASSEY FERGUSON
290	A-899144M1	43	A-885563M1	55				WHITE/ OLIVER
294-4			A-1424533M2	16				
298	A-1691476M1	50	A-1691477M1	34				
302 W/AD4-203 DIESEL ENGINE					Radiator Hose, Inlet	A-731174M1	100	
302, 303			A-187554M1	125				
304 W/AD4-203 DIESEL ENGINE					Radiator Hose, Inlet	A-731174M1	100	
360	A-1696559M1	36	A-1694711M3	38				CNH
362	A-3611652M1	77	A-1695868M1	57				CASE-IH
364S	A-3303316M1	73	A-3308585M1	81				FORD / NEW HOLLAND
365					Inlet Hose, Water Pump	A-3637573M1	103	FIAT
374S	A-3303316M1	73						
375	A-3596204M1	7	A-1695562M1	44	Radiator Hose, Top	A-3637573M1	103	
383	A-3596204M1	7	A-1695562M1	44	Radiator Hose, Top	A-3637573M1	103	
384S	A-3303316M1	73						
390	A-3596204M1	7	A-1695562M1	44	Radiator Hose, Top	A-3637573M1	103	
390T	A-3596204M1	7	A-1695562M1	44	Radiator Hose, Top	A-3637573M1	103	BELARUS
393					Inlet Hose, Water Pump	A-3637573M1	103	BOBCAT
394S	A-3303316M1	73						JCB
396			A-3614419M1	126				JOHN DEERE
398	A-3596204M1	7	A-1695562M1	44	Radiator Hose, Top	A-3637573M1	103	KUBOTA
399 W/ CAB	A-1695563M1	78	A-3596194M1	40	Radiator Hose, Top	A-3637257M91		LANDINI
399 W/O CAB	A-1695563M1	78	A-1695564M1	20	Radiator Hose, Top	A-3637257M91		LEYLAND
399 W/ 1006.6			A-3614419M1	126				LONG
550 W/ AD3.152 ENGINE					Radiator Hose, Bypass	A-731256M1	68	McCORMICK
550 W/ AD3.152 ENGINE					Hose, Water Pump to Cylinder Block	A-732443M1	70	OTHER
565 W/A4.236 ENG	A-1869514M1	71	A-898748M1	69				RENAULT
575 W/A4.236 ENG	A-1869514M1	71	A-898748M1	69				SAME
590 W/A4.248 ENG	A-899144M1	43						VALTRA
595 W/ A4.318 ENGINE	A-1671076M1	101			Radiator Hose, Upper	A-747946M91	90	VERSATILE
670	A-1681509M1	29	A-885563M1	55				YANMAR
690	A-1681509M1	29	A-885563M1	55				ZETOR
698	A-1669805M1	31	A-1669806M1	3				
698			A-746469M1	64				
698 W/ 4.318.2 ENGINE					By-Pass Hose	A-747946M91	90	SCHWARTZ
698T					Inlet Hose, Water Pump	A-3637573M1	103	SPEECO
699	A-1692871M1	79	A-1692870M1	21				
765 W/ A4.192 ENGINE	A-827930M1	89						
765 W/ AD4.203 Engine			A-898065M1	87				
1080 W/ A4.318 ENGINE	A-1671076M1	101			Radiator Hose, Upper	A-747946M91	90	

# Cooling Systems

## RADIATOR HOSES

See hose drawings and dimensions on pages directly before applications.

AGCO	Model/ Special Applications	Upper Rad. Hose	Ref. #	Lower Rad. Hose	Ref. #	Other Hose Locations	Other Part #	Ref. #
ALLIS CHALMERS	1080	A-522078M1	32	A-520309M91	25			
DEUTZ	1085	A-522078M1	32	A-520309M91	25			
MASSEY FERGUSON	1100 DSL SN <-17222			A-503595M1	27			
	1100 DSL SN <-3954	A-509843M1	28					
WHITE/ OLIVER	1100 DSL. SN 17222->			A-518179M91	41			
	1100 DSL. SN 3954->	A-512158M1	4					
	1105	A-512158M1	4	A-518179M91	41			
	1030 SN <-16950			A-503595M1	27			
	1130 SN <-651500079	A-509843M1	28					
CNH	1130 SN 16950->			A-518179M91	41			
	1130 SN 651500079->	A-512158M1	4					
CASE-IH	1134	A-512158M1	4	A-518179M91	41			
FORD / NEW HOLLAND	1150	A-362005X1	82	A-520656M1	2	Radiator Hose, Top	A-728354M1	65
	1155 TUBE CONNECTION	A-362005X1	82	A-527775M1	61			
FIAT	595 W/ A4.318 ENGINE	A-1671076M1	101					
	154-4S					Radiator Hose, Bypass	A-731256M1	68
	2135					Radiator Hose, Bypass	A-731256M1	68
	2135					Hose, Water Pump to Cylinder Block	A-732443M1	70
BELARUS	2200 DSL			A-511951M1	128	Radiator Hose, Lower	A-731256M1	68
BOBCAT	2200					Hose, Water Pump to Cylinder Block	A-732443M1	70
JCB	2244					Radiator Hose, Bypass	A-731256M1	68
JOHN DEERE	2500					Radiator Hose, Bypass	A-731256M1	68
	2500					Hose, Water Pump to Cylinder Block	A-732443M1	70
KUBOTA	2620			A-3040882M92				
LANDINI	2625			A-3040882M92				
LEYLAND	2640			A-3040882M92				
LONG	2645			A-3040882M92				
McCORMICK	2675 SN <-9R007628	A-362005X1	82	A-3040882M92				
	2680			A-3040882M92				
OTHER	2685			A-3040882M92				
RENAULT	2705 SN 9R006482-9R007110	A-362005X1	82	A-3040882M92				
	2720			A-3040882M92				
SAME	2725			A-3040882M92				
	2745	A-3039215M1	8	A-3040296M92	63			
VALTRA	2775 SN <-0777	A-367639X1	23	A-1626285M91	62			
VERSATILE	2775	A-3039214M1	9	A-1626285M91	62	Radiator Hose, Top	A-743001M1	42
YANMAR	2775	A-3039215M1	8	A-1626285M91	62	Radiator Hose, Top	A-742999M1	15
	2775	A-3039215M1	8	A-1626285M91	62	Radiator Hose, Top	A-3039214M1	9
ZETOR	2805 SN <-0777	A-367639X1	23	A-1626285M91	62			
	2805	A-3039214M1	9	A-1626285M91	62	Radiator Hose, Top	A-743001M1	42
SCHWARTZ SPEECO	2805	A-3039215M1	8	A-1626285M91	62	Radiator Hose, Top	A-742999M1	15

Parts are not original equipment parts and are not sponsored, affiliated, or otherwise connected with any major brand.

# Cooling Systems

## RADIATOR HOSES

See hose drawings and dimensions on pages directly before applications.

Parts are not original equipment parts and are not sponsored, affiliated, or otherwise connected with any major brand.

Model/ Special Applications	Upper Rad. Hose	Ref. #	Lower Rad. Hose	Ref. #	Other Hose Locations	Other Part #	Ref. #	AGCO
2805	A-3039215M1	8	A-1626285M91	62	Radiator Hose, Top	A-3039214M1	9	ALLIS CHALMERS
3050			A-3382984M1	105				DEUTZ
3060 W/ A4.248 ENGINE, 3065 W/ AT4.236 ENGINE	A-3382976M2	94						MASSEY FERGUSON
3075			A-3619055M1	113				WHITE/ OLIVER
3085, 3095	A-3582179M2	114	A-3618641M1	110	Radiator Hose, Top	A-3637257M91		
3090	A-3387747M1	96	A-3382985M1	104				
3090 W/ A6.354.4 ENGINE	A-3387747M1	96						
3115, 3120	A-3582179M2	114	A-3618641M1	110	Radiator Hose, Top	A-3637257M91		
3120T	A-3582179M2	114			Radiator Hose, Top	A-3637257M91		CNH
3125, 3140					By-Pass Hose	A-3637257M91		CASE-IH
3165 W/AD4-203 DIESEL ENGINE					Radiator Hose, Inlet	A-731174M1	100	FORD / NEW HOLLAND
3505			A-3040882M92					FIAT
3525			A-3040882M92					
3545			A-3040882M92					
3630			A-3040882M92					
3635, 3645			A-3619026M1	111	Radiator Hose, Bottom	A-3637257M91		
3650			A-3040882M92					
3655			A-3619026M1	111	Radiator Hose, Bottom	A-3637257M91		BELARUS
3660					By-Pass Hose	A-3637257M91		BOBCAT
4225 1004.4 Eng. Build Prefix AJ					By-Pass Hose	A-4222846M91	123	JCB
4225 1004.4 Eng. Build Prefix AJ High Clear Tractors	A-3809505M1	122	A-3801168M1	119				JOHN DEERE
4225 1004.4 Eng. Build Prefix LM	A-3807508M1	120						KUBOTA
4225 4.41 Eng. Build Prefix LM	A-3807508M1	120	A-3807509M1	121	Radiator Hose, Top	A-3640921M91	116	LANDINI
4225 4.41 Eng. Build Prefix LM High Clear Tractors	A-3809505M1	122						LEYLAND
4235 1004.4T Eng. Build Prefix AK	A-3807508M1	120			Radiator Hose, Top	A-4222846M91	123	LONG
4235 1004.4T Eng. Build Prefix AK High Clear Tractors	A-3809505M1	122	A-3801168M1	119				McCORMICK
(4235, 4240 ALL 4.41 Eng. Build Prefix LM)	A-3807508M1	120	A-3807509M1	121	Radiator Hose, Top	A-3640921M91	116	OTHER
4235 4.41 Eng. Build Prefix LM High Clear Tractors	A-3809505M1	122						RENAULT
(4245, 4255 ALL 1004.4 Eng. Build Prefix AH)	A-3807508M1	120	A-3807509M1	121	Radiator Hose, Top	A-3640921M91	116	SAME
(4245, 4255 ALL 1004.4 Eng. Build Prefix AH High Clear Tractors)	A-3809505M1	122						VALTRA
(4245, 4255 ALL 1004.4T Eng. Build Prefix AK)	A-3807508M1	120			Radiator Hose, Top	A-4222846M91	123	VERSATILE
(4245, 4255 ALL 1004.4T Eng. Build Prefix AK High Clear Tractors)	A-3809505M1	122	A-3801168M1	119				YANMAR
(4260, 4270, 4360 ALL <K37008)					By-Pass Hose	A-3637257M91		ZETOR
4260 1006.6 Eng. Build Prefix YA & YG	A-3801167M1	118	A-3801168M1	119				SCHWARTZ SPEECO
4270 1006.6 & 1006.6T Eng. Build Prefix YA & YH	A-3801167M1	118	A-3801168M1	119				
4325 1004.4 Eng.	A-3807508M1	120			Radiator Hose, Top	A-4222846M91	123	
4325 1004.4 Eng. High Clear Tractors	A-3809505M1	122						
	A-3809505M1	122						

# Cooling Systems

## RADIATOR HOSES

See hose drawings and dimensions on pages directly before applications.

AGCO	Model/ Special Applications	Upper Rad. Hose	Ref. #	Lower Rad. Hose	Ref. #	Other Hose Locations	Other Part #	Ref. #
ALLIS CHALMERS	4325 1004.4 Eng. Build Prefix AJ High Clear Tractors			A-3801168M1	119			
DEUTZ	(4335, 4345, 4355 ALL 1004.4T Eng.)	A-3807508M1	120			Radiator Hose, Top	A-4222846M91	123
MASSEY FERGUSON	(4335, 4345, 4355 ALL 1004.4T Eng. High Clear Tractors)	A-3809505M1	122	A-3801168M1	119			
WHITE/ OLIVER	4360 1006.6 Eng.	A-3801167M1	118	A-3801168M1	119			
	4370 1006.6T Eng.	A-3801167M1	118	A-3801168M1	119			
	4500					Radiator Hose, Bypass	A-731256M1	68
	4500					Hose, Water Pump to Cylinder Block	A-732443M1	70
CNH	4830FC					Radiator Hose, Bypass	A-731256M1	68
	5830					Radiator Hose, Bypass	A-731256M1	68
CASE-IH	5830					Hose, Water Pump to Cylinder Block	A-732443M1	70
FORD / NEW HOLLAND	5830FC					Radiator Hose, Bypass	A-731256M1	68
FIAT	5830FC					Hose, Water Pump to Cylinder Block	A-732443M1	70
	5860					Radiator Hose, Bypass	A-731256M1	68
	5870					Radiator Hose, Bypass	A-731256M1	68
	5870					Hose, Water Pump to Cylinder Block	A-732443M1	70
BELARUS	6030FC					Radiator Hose, Bypass	A-731256M1	68
BOBCAT	6110, 6120, 6130, 6140	A-3619056M1	115	A-3619054M1	112			
JCB	(6110, 6120 ALL 4.41 Eng.)					By-Pass Hose	A-3640921M91	116
JOHN DEERE	(6130, 6140, 6150 ALL 1004.4T Eng.)					By-Pass Hose	A-3640921M91	116
	6150			A-3619055M1	113			
KUBOTA	6160, 6170, 6180	A-3582179M2	114	A-3618641M1	110	Radiator Hose, Top	A-3637257M91	
	6190			A-3619026M1	111	Radiator Hose, Bottom	A-3637257M91	
LANDINI	6235 1004.4T Eng.	A-3807508M1	120			Radiator Hose, Top	A-4222846M91	123
LEYLAND	6235 1004.4T Eng. High Clear Tractors	A-3809505M1	122	A-3801168M1	119			
LONG	6245 1004.4T Eng.	A-3807508M1	120			Radiator Hose, Top	A-4222846M91	123
	6245 1004.4T Eng. High Clear Tractors	A-3809505M1	122	A-3801168M1	119			
McCORMICK	6255 1004.4T Eng.	A-3807508M1	120			Radiator Hose, Top	A-4222846M91	123
OTHER	6255 1004.4T Eng. High Clear Tractors	A-3809505M1	122	A-3801168M1	119			
	6260 1006.6 Eng.	A-3807508M1	120	A-3801168M1	119	Radiator Hose, Top	A-4222846M91	123
RENAULT	6265 1004.4T Eng.	A-3807508M1	120	A-3801168M1	119			
SAME	6270 1006.6T Eng.	A-3807508M1	120	A-3801168M1	119	Radiator Hose, Top	A-4222846M91	123
	6280 1006.6T Eng.	A-3807508M1	120	A-3801168M1	119	Radiator Hose, Top	A-4222846M91	123
VALTRA	6290 1006.6T Eng.	A-3807508M1	120	A-3801168M1	119	Radiator Hose, Top	A-4222846M91	123
VERSATILE	8110, 8120, 8130			A-3619026M1	111	Radiator Hose, Bottom	A-3637257M91	
YANMAR	8210, 8220	A-3780508M3	117			Radiator Hose, Top	A-4223764M91	124
ZETOR								
SCHWARTZ SPEECO								

Parts are not original equipment parts and are not sponsored, affiliated, or otherwise connected with any major brand.

# Cooling Systems

## BELTS: ALT, FAN, STEERING, WATER PUMP

Parts are not original equipment parts and are not sponsored, affiliated, or otherwise connected with any major brand.

Model/ Special Applications	Fan	Alt/Fan	Water Pump	AC Comp	PS Pump	AGCO
TE20	A-181636M1					ALLIS CHALMERS
T020, T030	A-181636M1					DEUTZ
20 GAS / DSL (INDUSTRIAL)	A-517456M1					MASSEY FERGUSON
20B SN <855435, 20D	A-1876670M1					WHITE/ OLIVER
20 GAS / DSL (INDUSTRIAL)	A-517456M1					
20 GAS / DSL (TURF)	A-843198M1					
20C GAS	A-539735M1 *					
20C DSL	A-531371M1					
20D, 20E, 20F	A-1687531M1					
(30, 30B ALL GAS)	A-843198M1					CNH
30 Diesel		A-186976M1				CASE-IH
30D GAS	A-539735M1 *					FORD / NEW HOLLAND
30D DSL	A-531371M1					FIAT
30E	A-1687531M1					
30H W/MANUAL SHUTTLE TRANS	A-1687531M1					
30H W/POWER SHUTTLE TRANS	A-1693746M1					
31	A-513833M1					
35 Diesel		A-186976M1				
35 SN <304621 W/ A3.152 Engine	A-3637595M1					BELARUS
40	A-517456M1					BOBCAT
40B	A-517344M2					JCB
50 GAS	A-513890M1					JOHN DEERE
50 GAS, FAN / GEN.	A-509572M1	A-509572M1				KUBOTA
50 DSL, FAN / GEN	A-186750M2	A-186750M2				LANDINI
50 DSL, FAN / ALT.	A-512747M1	A-512747M1				LEYLAND
50A	A-512747M1					LONG
50C, 50D	A-517344M2					McCORMICK
50E	A-3639689M1					OTHER
50F SN U841768J->	A-1688988M1 *					RENAULT
50F SN <-U841768J	A-3637306M91 *					SAME
50H, 50HX, 60H, 60H SERIES S	A-1687531M1	A-1687531M1				VALTRA
50H, 50HX, 60HX, 60HX SERIES T	A-1687531M1	A-1687531M1				VERSATILE
50H, 50HX, 60HX, 60HX SERIES T W/ TURBO ENG.	A-1447778M91 *	A-1447778M91 *				YANMAR
65 SN <2419000 W/ A4.192 Engine	A-3637595M1					ZETOR
65 SN <2419000 W/ A4.192 Engine	A-3637595M1					
135 GAS, CONTINENTAL	A-509572M1					SCHWARTZ
135 GAS, PERKINS SN 9A38905->	A-843198M1	A-843198M1				SPEECO
135 Diesel SN<9A38905		A-186976M1				
135 DSL SN 9A98905->	A-517456M1	A-517456M1				
135 UK	A-3637597M1 *					
150 GAS / DSL (PERKINS) W/ ALT.	A-517344M2	A-517344M2				

\* Set of belts. # Not available.

# Cooling Systems

## BELTS: ALT, FAN, STEERING, WATER PUMP

AGCO	Model/ Special Applications	Fan	Alt/Fan	Water Pump	AC Comp	PS Pump
ALLIS CHALMERS	150 Diesel		A-186976M1			
DEUTZ	150 GAS, (CONTINENTAL)	A-509572M1				
	(154-4, 154-4S ALL SN <-2612418)	A-1447784M91 *				
MASSEY FERGUSON	154-4S SN 2612418->	A-3637978M91 *				
WHITE/ OLIVER	154-4S ENGINE SN U704747J->	A-3637597M1 *				
	155	A-909319M3				
	158 12/1981>	A-909319M3				
	165 Diesel		A-186976M1			
	165 GAS, (CONTINENTAL)	A-189789M1				
CNH	165 GAS, (PERKINS)	A-843198M1				
	165 DSL	A-186750M2				
CASE-IH	174-4	A-3637597M1 *				
FORD / NEW HOLLAND	175 GAS, (CONTINENTAL)	A-189789M1				
	175 GAS, (PERKINS)	A-843198M1				
FIAT	175 DSL SN <-9A40277	A-186750M2				
	175 DSL W/ GEN.	A-PS500049	A-PS500049			
	175 DSL W/ALT	A-513833M1	A-513833M1			
	180 GAS, / LP GAS, (CONTINENTAL)	A-505995M2				
BELARUS	180 Perkins Gas		A-186976M1			
BOBCAT	180 DSL SN <-9A40277	A-186750M2				
JCB	180 DSL SN 9A40277->	A-512951M1				
JOHN DEERE	184-4, 194-4	A-3637597M1 *				
	202, 204	A-509572M1				
KUBOTA	205, 205-4	A-3281495M1				
	210, 210-4	A-3280157M1				
LANDINI	220, 220-4	A-3280157M1				
LEYLAND	230 GAS	A-539735M1 *				
LONG	230 DSL	A-531371M1				
	231	A-773300M1				
McCORMICK	235 GAS	A-539735M1 *				
OTHER	235 DSL	A-531371M1				
RENAULT	240 POWER ASSIST STEERING	A-1687531M1				
	240 MANUAL OR HYDRO STEERING	A-1688988M1 *				
SAME	240 SN <513537	A-1876670M1				
VALTRA	245 DSL	A-531371M1				
VERSATILE	250	A-1687531M1				
	253	A-1693746M1				
YANMAR	254-4	A-3637978M91 *				
ZETOR	255 GAS SN <-9A211258	A-531371M1				
	255 GAS SN 9A211258->	A-843198M1				
SCHWARTZ SPEECO	255 GAS / DSL (AD4-203)	A-532527M1				

Parts are not original equipment parts and are not sponsored, affiliated, or otherwise connected with any major brand.

\* Set of belts. # Not available



# Cooling Systems

## BELTS: ALT, FAN, STEERING, WATER PUMP

Parts are not original equipment parts and are not sponsored, affiliated, or otherwise connected with any major brand.

Model/ Special Applications	Fan	Alt/Fan	Water Pump	AC Comp	PS Pump	AGCO
255	A-1876670M1					ALLIS CHALMERS
255, A4-236	A-517344M2					DEUTZ
261, 270	A-1447778M91 *					MASSEY FERGUSON
265, 275	A-517344M2					WHITE/ OLIVER
274-4	A-3637597M1 *					
282	A-843198M1					
283	A-1809095M2					
283 BRAZIL	A-2801859M1					
285	A-532779M92 *					
290 54" EFFECTIVE LENGTH	A-517344M2					CNH
290 60 1/2" EFFECTIVE LENGTH	A-1809095M2					CASE-IH
294-4	A-3637597M1 *					
298	A-1686616M91 *					FORD / NEW HOLLAND
(302, 304 ALL SN 9A11490->)	A-513890M1	A-513890M1				FIAT
(302, 304 ALL SN <-9A11490)	A-509572M1	A-509572M1				
353 W/ AD3.152 Engine	A-3637595M1					
360	A-1693746M1 *			A-1690692M1 *		
362	A-3612115M1 *			A-1690692M1 *		
363 W/ AT3.152.4 Engine	A-3637595M1					BELARUS
373 W/ A4.236 Engine	A-3637595M1					BOBCAT
(374S, 384S, 394S ALL YR 01/89->)	A-3637597M1 *					JCB
383 W/ A4.236 Engine	A-3637595M1					JOHN DEERE
375, 383	A-1693745M1 *			A-1690692M1 *		
377 W/ A4.236 Engine	A-3637595M1					KUBOTA
387 W/ A4.236 Engine	A-3637595M1					LANDINI
390, 390T, 398	A-1693745M1 *			A-1690692M1 *		
390, 390T				A-3612930M1		LEYLAND
393 W/ A4.248 Engine	A-3637595M1					LONG
396	A-3614706M92					McCORMICK
397 W/ A4.248 Engine	A-3637595M1					
399				A-1690692M1 *		OTHER
399 W/ 1006.6 ENG	A-3614706M92					RENAULT
550	A-517456M1					SAME
670, 690	A-1686614M91 *			A-966427M1 *		
698	A-1686614M91 *					VALTRA
699	A-1688216M91 *			A-1686883M1 *		VERSATILE
765 SN <2419000 W/ A4.192 Engine	A-3637595M1					YANMAR
765 SN <2419000 W/ A4.192 Engine	A-3637595M1					ZETOR
1010	A-3284081M1					
1020	A-3281495M1					
(1030, 1030L ALL 2WD / TOW TRACTOR)	A-3435747M1					SCHWARTZ SPEECO

\* Set of belts. # Not available.

# Cooling Systems

## BELTS: ALT, FAN, STEERING, WATER PUMP

AGCO	Model/ Special Applications	Fan	Alt/Fan	Water Pump	AC Comp	PS Pump
ALLIS CHALMERS	(1030, 1030L, 1035 ALL 4WD)	A-3435748M1				
DEUTZ	1040, 1045	A-3436669M1				
MASSEY FERGUSON	1080 W/ AC	A-522061M91 *				
	1080 W/O AC	A-516467M1				
WHITE/ OLIVER	1085	A-529900M91 *				
	1100, 1130	A-521398M91				
	1100 DSL W/O AC SN 9B13590->	A-513133M1				
	1100 DSL W/ AC & 518995M91 ENG	A-517951M91 *				
	1100 DSL W/ AC SN 650003753-9B13590	A-512431M1				
CNH	1100 DSL W/O AC SN <-650003753	A-512431M1				
	1100 W/O AC & 518995M91 ENG	A-503727M1				
CASE-IH	1100 GAS / LP GAS	A-513116M1				
FORD / NEW HOLLAND	1105	A-517951M91 *				
FIAT	1130 SN <-650003753	A-503727M1				
	1130 SN 650003753-9B13590	A-512431M1				
	1130 SN 354UA3356T->	A-517951M91 *				
	1130 SN 9B13590->	A-513133M1				
	1135	A-517951M91 *				
BELARUS	1150, 1155	A-518506M92 *				
BOBCAT	1155 W/O AC		A-518505M1			
JCB	1155 W/ AC		A-521370M1			
JOHN DEERE	(1500, 1800 ALL SN <-9C002356)	A-525833M1				
	(1500, 1800 ALL SN 9C002356->)	A-530330M91 *	A-530330M91 *	A-530328M1 *		
KUBOTA	1500	A-236670M1				
	1800	A-236670M1				
LANDINI	1505, 1805	A-530330M91 *	A-530330M91 *	A-530328M1 *		
LEYLAND	2135 GAS	A-509572M1	A-509572M1			
LONG	2135 Diesel		A-186976M1			
McCORMICK	2200 Diesel	A-186976M1				
	2500 GAS (PERKINS & CONTINENTAL)	A-671870M1				
OTHER	2500 DSL	A-509572M1	A-509572M1			
RENAULT	2640	A-3045111M91 *				
	2645 SN L178203>			A-1686883M1 *		
SAME	2675, 2705	A-3040950M91 *	A-3040949M1 *	A-3040949M1 *		
VALTRA	(2680, 2685, 2725 ALL SN L178203>)			A-1686883M1 *		
VERSATILE	2745, 2775, 2805	A-1612891M91 *	A-1612892M91 *	A-1612892M91 *		
	3050 W/ AC	A-3383044M91 *			A-1690692M1 *	
YANMAR	3050 W/O AC	A-3581611M1				
ZETOR	3060, 3070	A-3383044M91 *			A-1690692M1 *	
	3080				A-1686883M1 *	
SCHWARTZ SPEECO	3090	A-3381364M91 *			A-1686883M1 *	

\* Set of belts. # Not available

Parts are not original equipment parts and are not sponsored, affiliated, or otherwise connected with any major brand.

# Cooling Systems

## BELTS: ALT, FAN, STEERING, WATER PUMP

Parts are not original equipment parts and are not sponsored, affiliated, or otherwise connected with any major brand.

Model/ Special Applications	Fan	Alt/Fan	Water Pump	AC Comp	PS Pump	AGCO
3120	A-3617180M91 *			A-3582952M1 *		ALLIS CHALMERS
3140	A-3582953M91 *			A-3386214M1 *		DEUTZ
3165 GAS W/GEN	A-512747M1	A-512747M1				MASSEY FERGUSON
3165 GAS W/ALT	A-189789M1	A-189789M1				WHITE/ OLIVER
3165 DSL W/ALT	A-189789M1	A-189789M1				
(3505, 3525 ALL SN K235204->)	A-3381364M91 *					
(3505, 3525 ALL W/SANKYO COMP)				A-1686883M1 *		
(3505, 3525 ALL W/ FRIGIDAIRE COMP SN T258205->)				A-3386214M1 *		
3545 SN <-7272209	A-3045111M91 *					CNH
3545 SN T272209->	A-3617180M91 *					CASE-IH
3545 W/SANKYO COMP				A-1686883M1 *		
3630, 3650	A-3617180M91 *			A-1686883M1 *		FORD / NEW HOLLAND
3660	A-3616512M91 *			A-3386214M1 *		FIAT
3680	A-3389542M91 *					
3690	A-517456M1					
4225 Build # Prefix AJ				A-1686883M1 *		
4225 SN <K37008, Build # Prefix AJ, L/AC	A-3815255M2					
4225 SN <K37008, Build # Prefix AJ	A-3815256M1					BELARUS
4225 SN <K37008, Build # Prefix AJ, W/ A/C	A-3817582M1					BOBCAT
4235 Build # Prefix AK				A-1686883M1 *		JCB
4235 SN <K37008, Build # Prefix AK, L/AC	A-3815255M2					JOHN DEERE
4235 SN <K37008, Build # Prefix AK	A-3815256M1					KUBOTA
4235 SN <K37008, Build # Prefix AK, W/ A/C	A-3817582M1					
4245 Build # Prefix AK				A-1686883M1 *		LANDINI
4245 SN <K37008, Build # Prefix AK, L/AC	A-3815255M2					LEYLAND
4245 SN <K37008, Build # Prefix AK	A-3815256M1					LONG
4245 SN <K37008, Build # Prefix AK, W/ A/C	A-3817582M1					
4255 Build # Prefix AK				A-1686883M1 *		McCORMICK
4255 SN <K37008, Build # Prefix AK, L/AC	A-3815255M2					OTHER
4255 SN <K37008, Build # Prefix AK	A-3815256M1					RENAULT
4255 SN <K37008, Build # Prefix AK, W/ A/C	A-3817582M1					SAME
4260	A-3780606M91 *					VALTRA
4270	A-3780606M91 *					VERSATILE
4325 45 & 80 Amp. Alt. W/ A/C, 120 Amp Alt. L/ A/C	A-3817582M1					YANMAR
4325	A-3815255M2					ZETOR
4325	A-3815256M1					
4335				A-1686883M1 *		
4335 45 & 80 Amp. Alt. W/ A/C, 120 Amp Alt. L/ A/C	A-3817582M1					
4335	A-3815255M2					
4335	A-3815256M1					SCHWARTZ SPEECO
4345				A-1686883M1 *		

\* Set of belts. # Not available.

# Cooling Systems

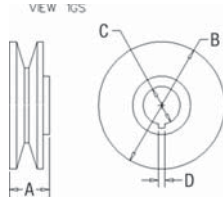
## BELTS: ALT, FAN, STEERING, WATER PUMP

AGCO	Model/ Special Applications	Fan	Air/Fan	Water Pump	AC Comp	PS Pump
ALLIS CHALMERS	4345 45 & 80 Amp. Alt. W/ A/C, 120 Amp Alt. L/ A/C	A-3817582M1				
	4345	A-3815255M2				
DEUTZ	4345	A-3815256M1				
MASSEY FERGUSON	4355				A-1686883M1 *	
WHITE/ OLIVER	4355	A-3815255M2				
	4355	A-3815256M1				
	4360	A-3780606M91 *				
	4370	A-3780606M91 *				
	4500 DSL	A-671870M1				
CNH	4500 GAS	A-539735M1 *				
CASE-IH	(4800, 4840, 4880, 4900 ALL SN <-9D003702)		A-517456M1			
	(4800, 4840, 4880, 4900 ALL SN 9D3702-9D4281)		A-513833M1			
FORD / NEW HOLLAND	(4800, 4840, 4880, 4900 ALL SN 9D4281->)		A-517344M2			
FIAT	(4800, 4840, 4880, 4900 ALL SN 9D4001->)				A-512431M1	
	4800	A-236670M1				
	4900	A-236670M1				
	6235	A-3780606M91 *				
	6235, 6245, 6255	A-3780605M91 *				
BELARUS	6235	A-3780608M91 *				
BOBCAT	6235	A-3780616M91 *				
JCB	6245	A-3780606M91 *				
	6245	A-3780603M91 *				
JOHN DEERE	6255	A-3780603M91 *				
KUBOTA	6255	A-3780606M91 *				
	6260	A-3780606M91 *				
LANDINI	6265	A-3780607M91 *				
LEYLAND	6265	A-3780606M91 *				
LONG	6270	A-3780606M91 *				
McCORMICK	6280 SN <H272022	A-3780606M91 *				
	6500 GAS, EARLY PRODUCTION	A-517344M2				
OTHER	6500 GAS, LATE PRODUCTION	A-531371M1				
RENAULT	6500 DSL	A-513833M1				
SAME	6500	A-517456M1				
	6500H, 6800H	A-1687531M1				
VALTRA	8450	A-3639689M1				
VERSATILE						
YANMAR						
ZETOR						
SCHWARTZ SPEECO						

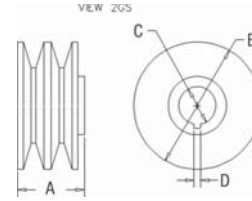
Parts are not original equipment parts and are not sponsored, affiliated, or otherwise connected with any major brand.

\* Set of belts. # Not available

# Cooling Systems



<b>A-ADR5008</b>	<b>Pulley, 1V-Groove</b>	A: .710" B: 2.600" C: .670" D: N/A E: For 10mm Belts
<b>A-AFD5020</b>	<b>Pulley, 1V-Groove</b>	A: .780" B: 2.485" C: .670" D: N/A E: For 7/16" Belts
<b>A-ADR5019</b>	<b>Pulley, 1V-Groove</b>	A: .875" B: 2.625" C: .670" D: N/A E: For 10mm Belts
<b>A-ADR5021</b>	<b>Pulley, 1V-Groove</b>	A: .920" B: 3.200" C: .670" D: N/A E: For 13mm Belts
<b>A-AFD5008</b>	<b>Pulley, 1V-Groove</b>	A: .930" B: 3.375" C: .670" D: N/A E: For 13mm Belts
<b>A-ADR5052</b>	<b>Pulley, 1V-Groove</b>	A: .940" B: 2.625" C: .670" D: .156" E: For 13mm Belts
<b>A-GFD5000</b>	<b>Pulley, 1V-Groove w/ Key Way</b>	A: .950" B: 3.735" C: .670" D: N/A E: For 16mm Belts
<b>A-APL5000</b>	<b>Pulley, 1V-Groove</b>	A: 1.000" B: 3.100" C: .670" D: N/A E: For 16mm Belts
<b>A-GDR5002</b>	<b>Pulley, 1V-Groove</b>	A: 1.040" B: 2.480" C: .670" D: N/A E: For 16-19mm Belts
<b>A-GFD5003</b>	<b>Pulley, 1V-Groove W/ Key Way</b>	A: 1.160" B: 3.680" C: .670" D: .156" E: For 16mm Belts
<b>A-GLU5000</b>	<b>Pulley, 1V-Groove w/ Key Way</b>	A: 1.180" B: 3.470" C: .592" D: .125" E: For 13mm Belts
<b>A-GDR5001</b>	<b>Pulley, 1V-Groove</b>	A: 1.250" B: 3.230" C: .670" D: .156" E: For 13mm Belts
<b>A-ADR5042</b>	<b>Pulley, 1V-Groove</b>	A: 1.320" B: 3.550" C: .875" D: N/A E: For 13mm Belts
<b>A-ADR5022</b>	<b>Pulley, 1V-Groove</b>	A: 1.480" B: 4.220" C: .670" D: N/A E: For 16mm Belts



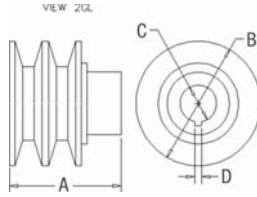
<b>A-ADR5047</b>	<b>Pulley, 2V-Groove</b>	A: 1.500" B: 2.590" C: .670" D: N/A E: For 10mm Belts
<b>A-ADR5003</b>	<b>Pulley, 2V-Groove</b>	A: 1.500" B: 2.600" C: .670" D: N/A E: For 10mm Belts
<b>A-AFD5011</b>	<b>Pulley, 2V-Groove</b>	A: 1.500" B: 3.060" C: .875" D: N/A E: For 10mm Belts
<b>A-AFD5022</b>	<b>Pulley, 2V-Groove</b>	A: 1.530" B: 2.970" C: .670" D: N/A E: For 13mm Belts
<b>A-ADR5000</b>	<b>Pulley, 2V-Groove</b>	A: 1.570" B: 3.125" C: .875" D: .156" E: For 13mm Belts
<b>A-ADR5041</b>	<b>Pulley, 2V-Groove</b>	A: 1.570" B: 3.500" C: .875" D: N/A E: For 13mm Belts
<b>A-ALN5000</b>	<b>Pulley, 2V-Groove</b>	A: 1.600" B: 4.270" C: .875" D: .156" E: For 13mm Belts
<b>A-AFD5006</b>	<b>Pulley, 2V-Groove</b>	A: 1.625" B: 3.220" C: .670" D: N/A E: For 13mm Belts
<b>A-AFD5010</b>	<b>Pulley, 2V-Groove</b>	A: 1.625" B: 3.312" C: .875" D: N/A E: For 13mm Belts
<b>A-AFD5012</b>	<b>Pulley, 2V-Groove</b>	A: 1.625" B: 3.360" C: .670" D: N/A E: For 10/13mm Belts
<b>A-ADR5043</b>	<b>Pulley, 2V-Groove</b>	A: 1.730" B: 3.350" C: .875" D: N/A E: For 13mm Belts
<b>A-APL5003</b>	<b>Pulley, 2V-Groove</b>	A: 1.812" B: 3.625" C: .875" D: .156" E: For 16mm Belts
<b>A-ADR5054</b>	<b>Pulley, 2V-Groove</b>	A: 1.875" B: 3.125" C: .670" D: .156" E: For 16mm Belts
<b>A-ADR5016</b>	<b>Pulley, 2V-Groove</b>	A: 1.970" B: 3.00" C: .875" D: .156" E: For 13mm Belts
<b>A-ADR5020</b>	<b>Pulley, 2V-Groove</b>	A: 2.000" B: 2.820" C: .670" D: N/A E: For 13mm Belt
<b>A-ADR5023</b>	<b>Pulley, 2V-Groove</b>	A: 2.350" B: 4.400" C: .670" D: N/A E: For 16mm Belts

Parts are not original equipment parts and are not sponsored, affiliated, or otherwise connected with any major brand.

- AGCO
- ALLIS CHALMERS
- DEUTZ
- MASSEY FERGUSON
- WHITE/OLIVER
- CNH
- CASE-IH
- FORD / NEW HOLLAND
- FIAT
- BELARUS
- BOBCAT
- JCB
- JOHN DEERE
- KUBOTA
- LANDINI
- LEYLAND
- LONG
- McCORMICK
- OTHER
- RENAULT
- SAME
- VALTRA
- VERSATILE
- YANMAR
- ZETOR
- SCHWARTZ
- SPEECO

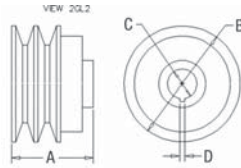
\*\*\* Truck icon indicates the item is shipped via truck freight.\*\*\*

# Cooling Systems

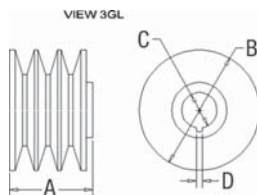


**A-APL5002** Pulley, 2V-Groove  
 A: 3.280" B: 3.650" C: .875" D: .156" E: For 16mm Belts

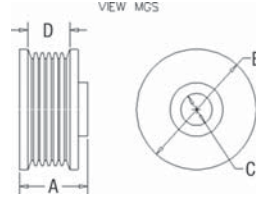
**A-APL5001** Pulley, 2V-Groove  
 A: 3.640" B: 3.470" C: .875" D: .156" E: For 22mm Belts



**A-ADR5006** Pulley, 2V-Groove  
 A: 2.330" B: 3.470" C: .875" D: .156" E: For 13mm Belts



**A-ADR5018** Pulley, 3V-Groove  
 A: 2.200" B: 3.470" C: .875" D: .156" E: For 13mm Belts



**A-AFD5004** Pulley, 6 Groove  
 A: 1.250" B: 2.100" C: .670" D: .900" E: For 21mm Belt

**A-ADR5011** Pulley, 6 Groove  
 A: 1.250" B: 2.340" C: .670" D: .900" E: For 21mm Belts

**A-AFD5015** Pulley, 6 Groove  
 A: 1.290" B: 2.312" C: .670" D: .900" E: For 21mm Belts

**A-ADR5007** Pulley, 6 Groove  
 A: 1.290" B: 2.562" C: .670" D: .875" E: For 21mm Belts

**A-AFD5032** Pulley, 6 Groove  
 A: 1.312" B: 2.090" C: .670" D: .900" E: For 21mm Belt

**A-AFD5016** Pulley, 6 Groove  
 A: 1.312" B: 2.625" C: .670" D: .875" E: For 21mm Belts

**A-ADR5036** Pulley, 7 Groove  
 A: 1.400" B: 2.350" C: .875" D: 1.040" E: For 25mm Belt

**A-AFD5029** Pulley, 8 Groove  
 A: 1.500" B: 2.650" C: .670" D: 1.140" E: For 28mm Belts

**A-ADR5055** Pulley, 8 Groove  
 A: 1.530" B: 2.580" C: .875" D: 1.140" E: For 28mm Belts

**A-AFD5025** Pulley, 8 Groove  
 A: 1.550" B: 2.470" C: .670" D: 1.140" E: For 28mm Belts

**A-AFD5030** Pulley, 8 Groove  
 A: 1.625" B: 2.900" C: .670" D: 1.140" E: For 28mm Belts

**A-ADR5039** Pulley, 8 Groove  
 A: 1.625" B: 2.960" C: .875" D: 1.200" E: For 28mm Belts

**A-AFD5019** Pulley, 8 Groove  
 A: 1.730" B: 2.860" C: .670" D: 1.140" E: For 28mm Belts

**A-ADR5050** Pulley, 8 Groove  
 A: 1.812" B: 2.500" C: .750" Tapered D: 1.140" E: For 28mm Belts

**A-ADR5038** Pulley, Dual 4 Groove  
 A: 1.250" B: 2.100" C: .670" D: .900" E: For 21mm Belts

Parts are not original equipment parts and are not sponsored, affiliated, or otherwise connected with any major brand.

\*\*\* Truck icon indicates the item is shipped via truck freight. \*\*\*

AGCO

ALLIS  
CHALMERS

DEUTZ

MASSEY  
FERGUSON

WHITE/  
OLIVER

CNH

CASE-IH

FORD / NEW  
HOLLAND

FIAT

BELARUS

BOBCAT

JCB

JOHN  
DEERE

KUBOTA

LANDINI

LEYLAND

LONG

McCORMICK

OTHER

RENAULT

SAME

VALTRA

VERSATILE

YANMAR

ZETOR

SCHWARTZ  
SPEECO