

Stabilimento / Plant
Via Bicocca, 14/C
40026 Imola (BO) - Italy
Tel. +39 0542 653441
Fax +39 0542 653601

castellini@castellini.com

Sede Legale ed Amministrativa / Headquarters
CEFLA s.c. - Via Selice Prov.le, 23/a
40026 Imola (BO) - Italy
Tel. +39 0542 653111
Fax +39 0542 653344

www.castellini.com



Due to our policy of constant technological upgrading, the technical specifications may be subject to change without prior notice.

06/2016 CSK5GB161500



SKEMA
5

Traditionally excellent





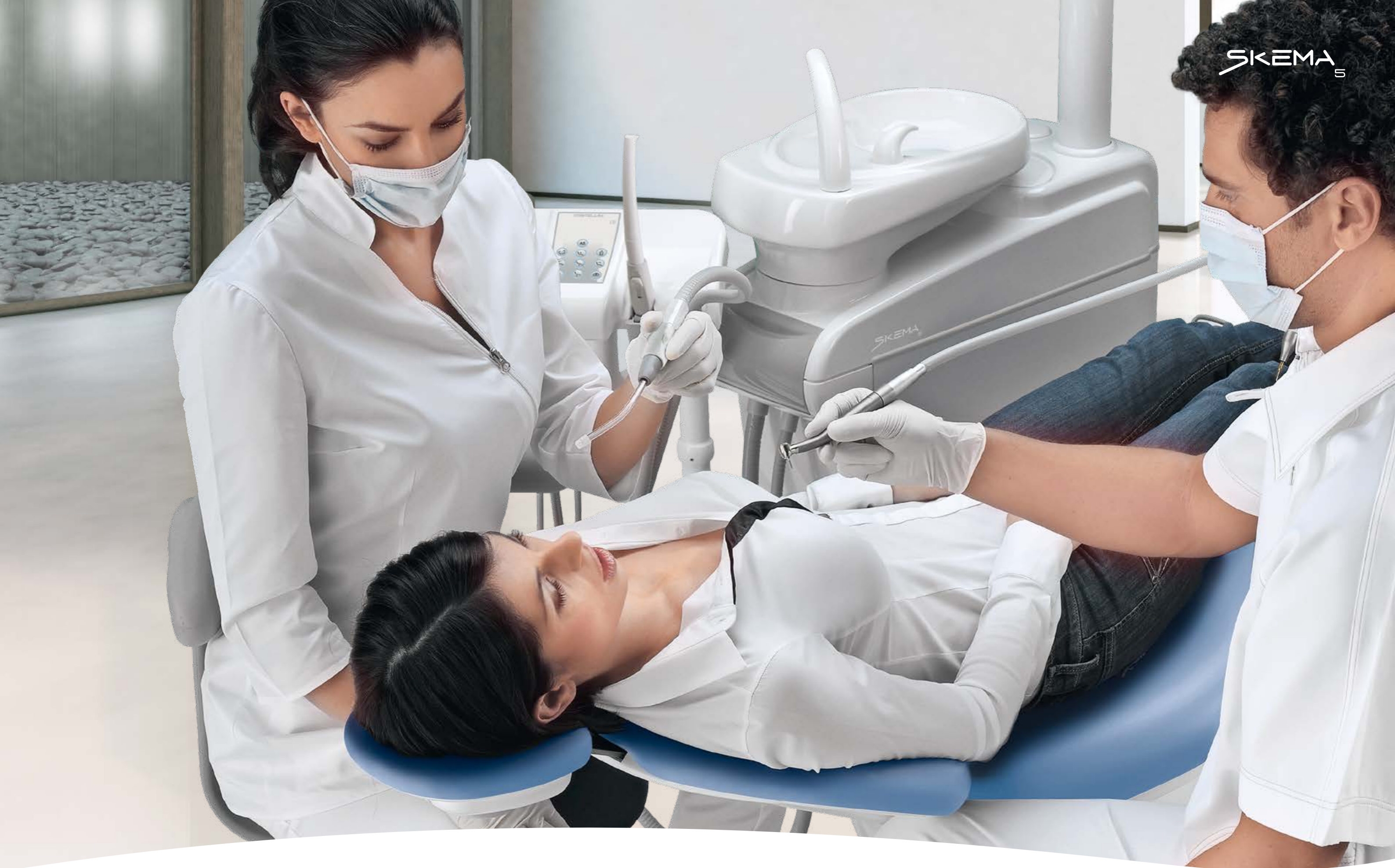
Complete operating freedom through ergonomic versatility

Skema 5



A complete and multifunctional work station

Skema 5 CP





Dentist's module

- positioning of the instrument module is made easy thanks to the mechanical braking device built into the support arm
- the tube extension capacity and minimized instrument support arm height enhance the module positioning range without any risk of interference with the operating light
- optional end-of-stroke lock system for enhanced freedom of movement
- easy to handle, self-balanced instruments minimising operator wrist fatigue during use
- the tray holder, pivoting on an articulated arm, can be adjusted to any working position
- the large trans-thoracic tray holder (optional) can easily be reached by both the dentist and the assistant
- the dentist's module's extensive vertical work range facilitates suitable positioning to meet any working requirements

Dentist's side



Free to move

With the generous spaces that Skema 5 creates, the dentist is able to move freely around the patient. The dentist's module support arms in both versions can be placed perfectly according to the treatment situation. This encourages both the dentist and the assistant to maintain a posture which is both correct and natural, thus significantly reducing physical stress and fatigue during the course of the working day.

Smooth movement

On the specifically designed hanging tubes module, the instruments are arranged in a functional manner to facilitate comfortable, easy pick-up and intuitive replacing. As a result, work flow is fast and smooth.

The instruments on the hanging tubes module will remain outside the patient's field of vision for a more relaxed and peaceful patient approach.



Control panel

Skema 5 adopts a range of technologically advanced instruments that are cutting-edge and exclusive, designed to ensure performance and functions that allow the dental surgeon to approach any clinical need without the slightest worry. The control panel is simple and intuitive and allows the operator to manage all dental unit functions. At any time, the dentist can pre-set the maximum rotation speed for the Micromotor, Turbines and Scaler power. A large LCD display enables graphical read-out and numerical indication of the operator settings.



Handy Power Micromotor

Handy Power is an extremely lightweight, compact brushless micromotor, available with or without LED lighting. Exceptionally quiet and vibration-free, Handy Power requires virtually no maintenance and is highly reliable thanks to brushless technology. Handy Power can be disinfected externally.

Micromotor features:

- 100 up to 40,000 rpm.
- possibility of pre-setting maximum speed



T-LED

Lightweight, compact curing light with an exclusive design that allows use as both a direct version or 120° angled version.

Features:

- high power LED up to a maximum of 2,200 mW/cm²
- 430 - 490 nm emission band
- 6 pre-set programmes
- autoclavable light guide



Implantor LED Micromotor

Latest-generation brushless micromotor, with its low-noise operation and minimal weight, Implantor LED is vibration-free and characterized by extremely high torque and outstanding reliability. Top performance for all specialist applications. Completely autoclavable.

Micromotor features:

- 100 up to 40,000 rpm with 1:1 ratio
- electronic torque control up to 5,3 Ncm
- possibility of pre-setting maximum speed



Piezosteril 6 / Piezolight 6

Versatile and multifunctional ultrasound handpieces suitable for prophylaxis, endodontics and periodontal procedures. Available with or without fibre optic for LED lighting, the handpieces offer the following performance:

- perfectly linear, controlled ultrasonic vibration (free from parasitic lateral vibration) with frequency constantly self-regulated according to load and tip condition

- extensive power adjustment range
- power is self-adjusting as a function of workload: this prevents heating of the handpiece or cooling liquids
- coolant delivery adjustable from zero to max flow rate
- completely autoclavable



Assistant's module

- lightweight and handy, the suction cannulae are provided with roller housings
- from the control panel, the patient chair movement, cup and bowl filling, operating light and Autosteril hygiene system activation can all be controlled
- the (optional) assistant's tray holder module is handily installed next to the assistant's module
- the cup and bowl filling units and the cuspidor bowl itself can be removed and disassembled to optimize hygienisation procedures
- tray holder module available to replace the cuspidor bowl

During the design phase, different clinical situations that a dentist may come across during a typical day at surgery were analysed, with or without the presence of an assistant. The ergonomic concept of Skema 5 is based on this analysis and is aimed at ensuring numerous practical solutions that will be suited to all types of therapeutic requirements.

The flexibility of the set-up enables staff to operate in a completely free fashion, thus encouraging efficiency and reduced risk factors linked to physical stress. This leads to improved concentration and greater clinical effectiveness.

Assistant's side



Simply convenient

The ceramic cuspidor bowl rotates to provide greater comfort to the patient. A standby position directly over the unit body avoids any risk that the bowl will get in the way of the dentist.

Practical ergonomics

Utmost attention has been given to the assistant's side in order to provide space, operative flexibility and maximum practicality. The module incorporates five housings for instruments and suction cannulae and is built onto an articulated arm giving significant horizontal movement.



Comfort for the patient, practicality for medical staff



Headrest

The generous, double-jointed headrest provides comfort for all patients. Available as an option, the new pneumatic release orbital headrest pivots on three axes and allows quick, precise positioning of the patient's head. The pneumatic release allows the dentist to shift the headrest vertically along the support rods with ease.

Arm rests

The right-hand arm rest can be rotated forwards to facilitate patient access to the chair. Getting out of the chair is equally as easy. The left-hand arm rest can also rotate forwards, increasing the space available for the assistant if needed. The arm rests are optional features.

Seats

The exclusive C9 anatomical seat is designed to provide a physiologically correct, healthy working position: broad vertical excursion, adjustable thigh support, vertically and horizontally adjustable backrest with compensation system for continuous lumbar support.

Also available to the medical team are the comfortable yet practical C7 and C8 seats.

Footrest

Adjustable footrest made from special anti-bacterial, anti-odour material. It can be extended for taller patients and removed for complete disinfection.

The Patient Chair

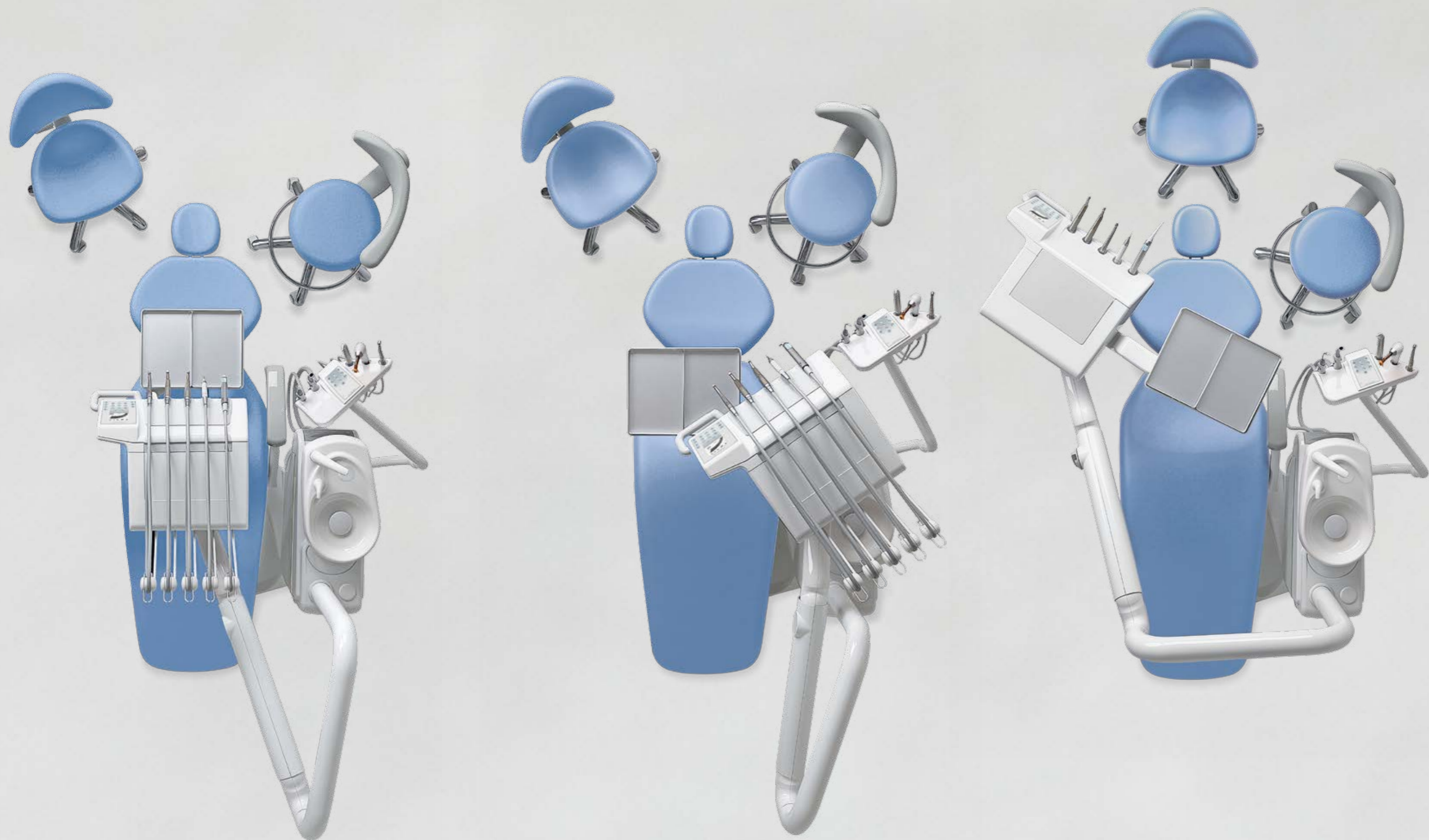


Functional comfort

Skema's patient chair has been designed to provide the best possible anatomical comfort to the patient. This helps to make the dental team's task much easier and, furthermore, one can count on specific features which allow perfectly hygienic conditions to be maintained at all times.

Surgical padding

Available as an optional feature, surgical padding will suit patients of any build ensuring proper anatomical support and maximum comfort at all times. Thanks to the characteristics of the material used, the contact surface area increases while the pressure applied to the patient's body is reduced. The surgical padding has been designed for patient relaxation especially during longer treatment sessions.





Foot controls

The foot control range includes 6 models:

- ① Lateral slide Foot Control (wired/wireless)
- ② Pressure-operated Foot Control (wired/wireless)
- ③ Power Pedal Foot Control
- ④ Multifunction Foot Control

Being able to control multiple dental unit functions via the foot control demonstrates a conscientious approach to hygiene, one that has ensured the available foot-operated functions include:

- progressive instrument activation
- spray selection
- chip air/water activation
- patient chair direct/programmed movement control
- light on/off (available on multifunction foot control)
- freeze-frame camera

Both the lateral slide and the pressure-operated foot controls are available in the wireless version. Because there are no wires the foot control can now be positioned as desired without creating any hindrance, allowing for more comfortable on-patient treatment. Lithium batteries ensure that the unit can go more than two months between recharges, in any case it is supplied with a lead for fast connection to the dental unit so that recharging can also be carried out during work.

Pedana Suction Stop

By pressing this foot control on the chair base, suction can be temporarily suspended.

Peripheral devices incorporated on the dental unit



① Venus LED

Operating lamp with long-lasting, low-consumption LED light source plus 3-axis rotation for perfect illumination of the operating area.

Technical features:

- maximum light intensity 50,000 Lux
- colour temperature: 5,000 K
- potentiometer to adjust light intensity
- No Touch sensor to switch on and adjust
- easy-to-clean hermetically sealed front protective screen
- handles can be cleaned in an autoclave

② Venus Plus

High performing operating light with rotation movement on three axes for accurate light adjustment to the oral cavity.

Technical features:

- colour temperature: 4,900 K
- adjustable light intensity from 8,000 to 35,000 Lux
- front protective screen
- removable handles suitable for cold-disinfection
- rear fan

To see which devices, among the lamps and foot controls, are supplied as standard or as an optional, please refer to the table at the end of the catalogue.



A multimedia system for enhanced communication



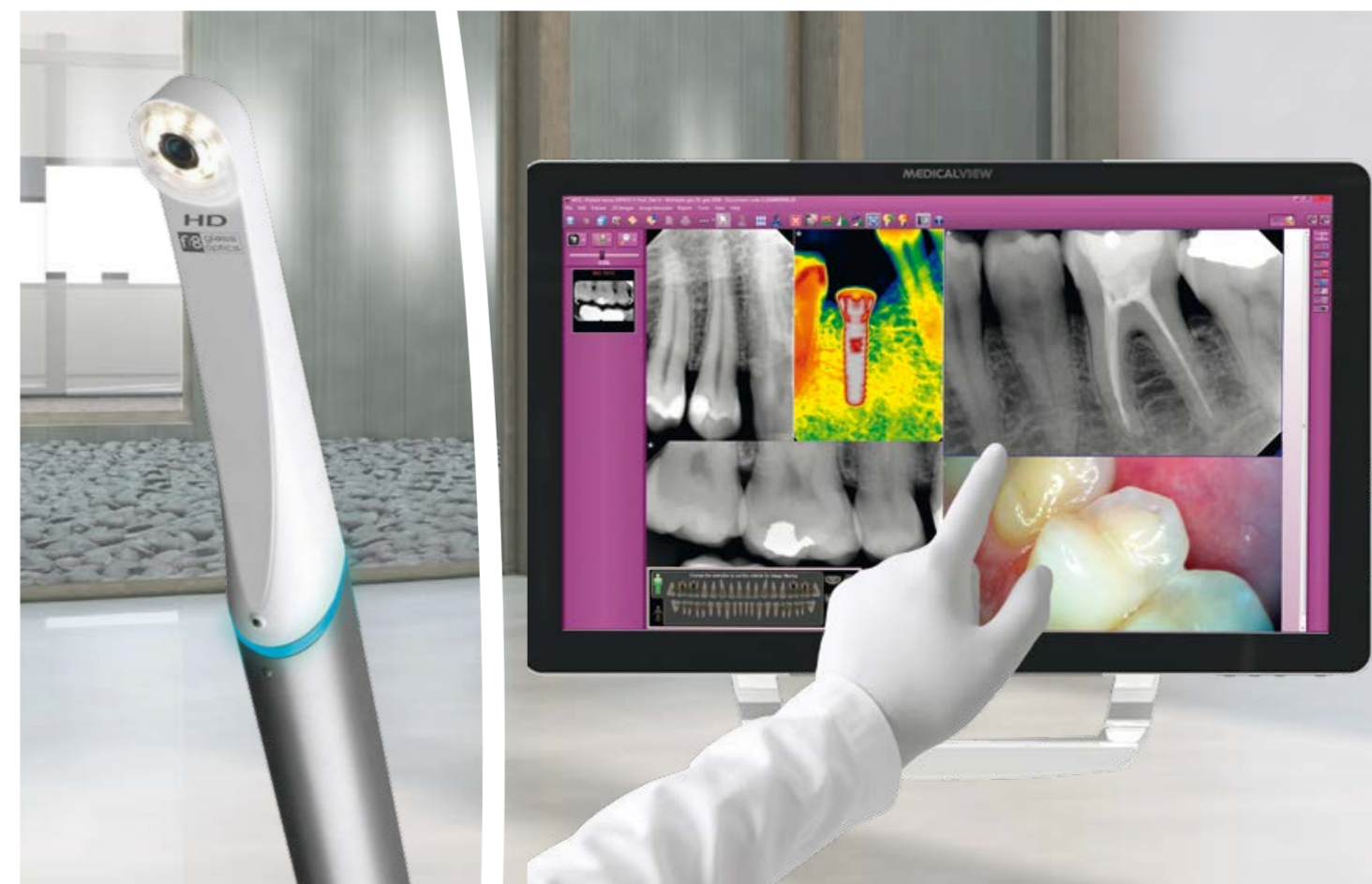
Integrated Medical Monitor

Choosing a double-jointed arm lets dentists shift the monitor and position it within the treatment area according to their individual needs (an option particularly recommended for the touch-screen version). In addition to comfortable use for both dentist and assistant, it also ensures greater involvement of the patient when sharing the outcome of treatment via on-screen imagery.

PC connection

The monitor comes ready for connection to a PC via a lead or HDMI connector. On both versions a USB port provides a further connectivity option.

Multimedia System



C-U2 HD camera

Featuring a system with 7 glass lenses and a 16:9 format HD sensor, the new incorporated video camera allows high definition images to be shown on the monitor directly without any distortion. Designed to give easy access to distal zones, the C-U2 is thin and has a partially retroflexed 90° viewing angle. The extensive depth of field (from 5 to 70 mm) ensures outstanding image sharpness while the touch-sensitive key activates the freeze-frame without causing any vibration.

Mounted on the dental unit operating light column, the 22" LED monitor with 16:9 format, Medical Device 93/42-certified, is an excellent high-tech, ergonomic, image-based communication and diagnostic tool. Thanks to the special IPS panel, ensuring a wide viewing angle, images can be clearly seen from any position. Low-power LED light sources provide excellent contrast and bright colours, making images decidedly sharper.



Cutting-edge systems and design solutions to ensure your safety

Active hygiene devices



- M.W.B.*** - continuous disinfection system coupled to an air gap separation from mains water device in accordance with EN 1717
- 20 mm separation between mains water system and dental unit lines
 - water titration with 0.06% H₂O₂
- S.S.S.** - independent supply to instruments
- 1.8 litre capacity pressurised tank
 - external tank to facilitate replacement at any time
- A.C.A.** - spray anti-retraction system
- prevents contaminant suction during the instrument stopping phase
 - minimises any patient cross-contamination risk

- S.H.D.*** - suction system hygiene procedure
- water flushing and hygienisation with a special liquid from a dedicated tank
 - the duration of each cycle (approximately 1 minute) allows for hygienisation between patients
- Time Flushing*** - quick flushing of the dental unit body with mains water or separate supply water.

**optional*



Autosteril S

The optional Autosteril system ensures disinfection of the spray circuits. It helps hygienisation at the end of a day's session and allows for short cycles to be carried out in the following steps:

- addition of 3% H₂O₂ to the spray water circuits
- 'hold time' allowed for liquid to work to intensive disinfection results
- (mains or distilled) water flushing



Hygiene products recommended by Castellini

- Ster 1 Plus decontaminating detergent for surface applications
- Ster 3 Plus decontaminating detergent for surgical suction lines

Protection against Legionnaire's disease

Water quality can be safeguarded by adding Peroxy Ag+ disinfectant, this provides real-time defence against bacterial contamination (e.g. Legionnaire's disease and other bacteria) and also brings about the conditions that prohibit microbial colonisation and multiplication.

Passive hygiene systems

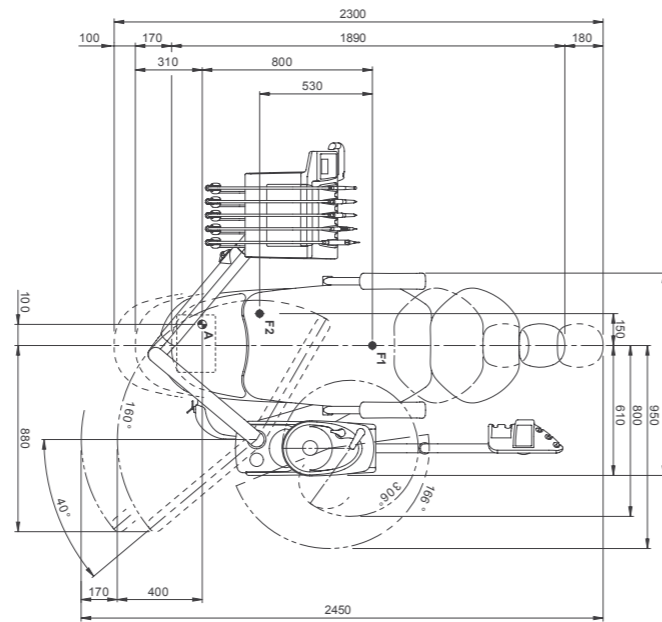
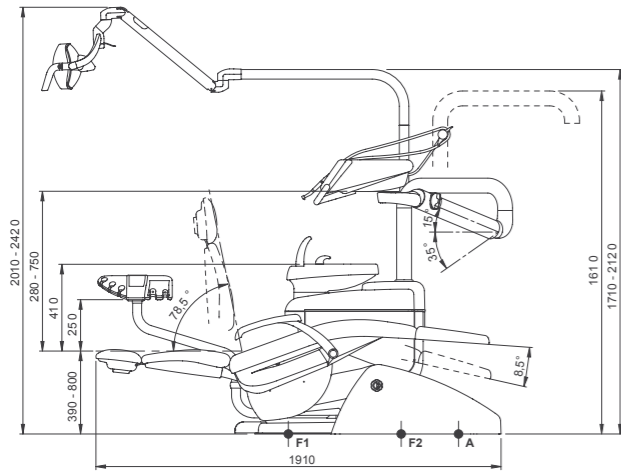


Before operating any active protection device, several dental unit design features can be used to dramatically reduce the risk of contamination

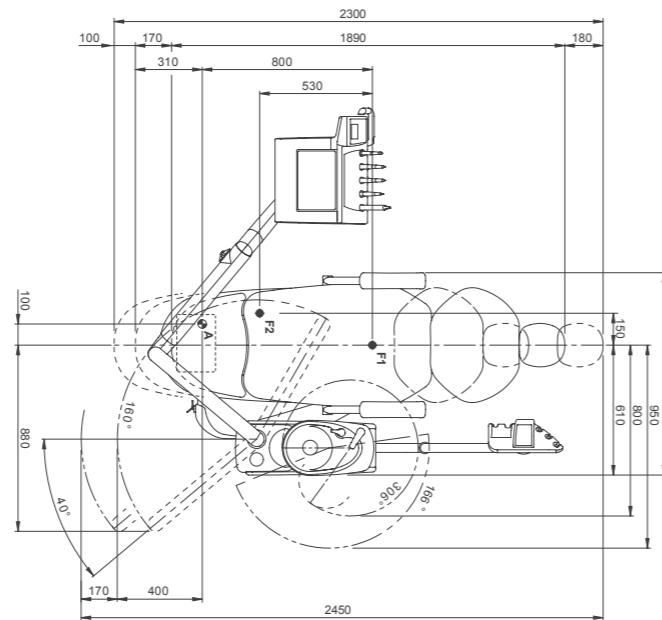
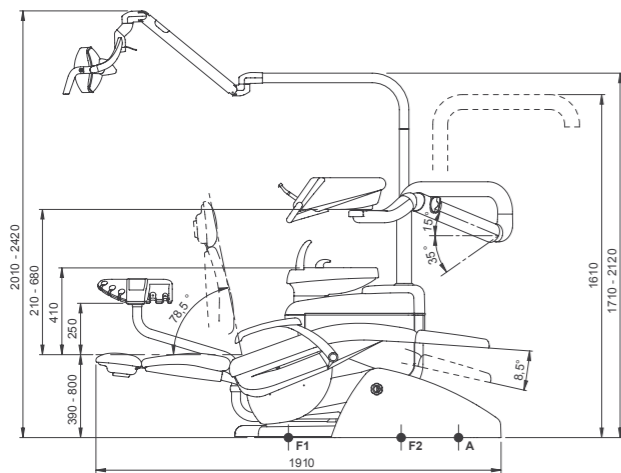
- instrument panel controls protected by disposable film
- autoclavable silicone instrument support mat
- removable and disinfectable dentist's module handle
- double suction filters with large filtering surface allowing for less frequent draining

- removable and disinfectable roller housing cannula guides
- easily removable upholstery for easy, effective hygienisation
- removable footrest made from Sanitized® material (smooth and easy to disinfect)
- unit body with smooth, specially treated surfaces making it easier to maintain hygienic conditions
- removable, heat disinfectable tubes
- V.D.S. - delayed suction stop to allow for internal drying of the tubing.

Skema 5



Skema 5 CP



	Over the patient delivery system	Hanging tubes
Hygiene system		
Separate Supply System	●	●
Autosteril S (Simple System) for water circuit disinfection	○	○
Multi Water Bio controller (EN 1717-compliant water infeed unit with continuous disinfection system)	○	○
Timed Flushing (quick wash cycle of the water circuit)	○	○
Suction Hoses Disinfection (Wash and disinfection of suction system)	○	○
Dentist's module		
Kit turbine complete with Silent Power Evo 2L fibre optics handpiece	●	●
Kit turbine complete with Silent Power Evo 4L fibre optics, quick coupling handpiece	○	○
Kit turbine complete with Silent Power Evo Miniature fibre optics, quick coupling handpiece	○	○
Kit Micromotor Handy Power (100 - 40,000 RPM - 3,3 Ncm)	○	○
Kit Micromotor Handy Power LED fibre optics (100 - 40,000 RPM - 3,3 Ncm)	●	●
Kit Micromotor Implantor LED fibre optics (100 - 40,000 RPM - 5,3 Ncm)	○	○
Kit Piezosteril 6 scaler	○	○
Kit Piezolight 6 electric scaler	○	○
T-LED curing light kit	○	○
Kit for instrument lever stops	○	-
Kit 3-way stainless steel syringe	●	●
Kit 6-way stainless steel syringe	○	○
Over- brust positionable tray holder table	-	○
Kit 6 th instrument (curing light or camera handpiece)	○	○
Assistant's module		
T-LED curing light kit	○	○
Kit 3-way stainless steel syringe	○	○
Kit 6-way stainless steel syringe	○	○
Removable and disinfectable suction tubes	●	●
Autoclavable suction cannulae	●	●
Assistant's module with control panel complete with control switch for chair, operating lamp mounted on double articulated arm	●	●
Assistant's module with control panel complete with control switch for chair, operating lamp mounted on self-balanced arm	○	○
Tray holder table on assistant's module	○	○
Operating lamp		
Venus Plus lamp	●	●
Venus LED lamp	○	○
Unit body		
Swivel and removable ceramic bowl	●	●
Cup filler water heater	○	○
Instrument spray heating	○	○
Quick coupling for air/water supply for external device	○	○
Multimedia cables and PC connections	○	○
Tray holder table in place of bowl	○	○
Patient chair		
Headrest with double articulation	●	●
Pneumatic headrest with 3-axis movement	○	○
Multifunction foot control with joystick	○	○
Wired pressure-operated foot control with joystick and spray on/off kit	○	○
Wireless pressure-operated foot control with joystick and spray on/off kit	○	○
Power Pedal foot control	○	○
Wired lateral slide foot control	●	●
Wireless lateral slide foot control	○	○
Surgical padding	○	○
Upholstery without extensible footrest base	●	●
Left armrest	○	○
Right armrest	○	○

● = supplied as standard ○ = Optional - = Not available



Colour range

- 102 Atlantic blue
- 113 Pacific blue
- 106 Mediterranean blue
- 136 Indian blue
- 101 Caribbean green
- 123 Polynesian green
- 103 Nevada yellow
- 115 Scottish salmon
- 132 Blueberry violet
- 134 Japanese wisteria
- 135 Venetian red
- 130 Graphite black
- 121 Anthracite grey
- 137 Satin silver

Surgical padding

- 197 Caribbean green
- 198 Atlantic blue
- 196 Mediterranean blue
- 195 Scottish salmon
- 199 Anthracite grey
- 193 Polynesian green
- 194 Venetian red
- 192 Blueberry violet