

2004 Chevrolet Aveo : Transmissions > Manual Transmission > Manual Transmission - D16 > Repair Instructions > Transmission Replacement

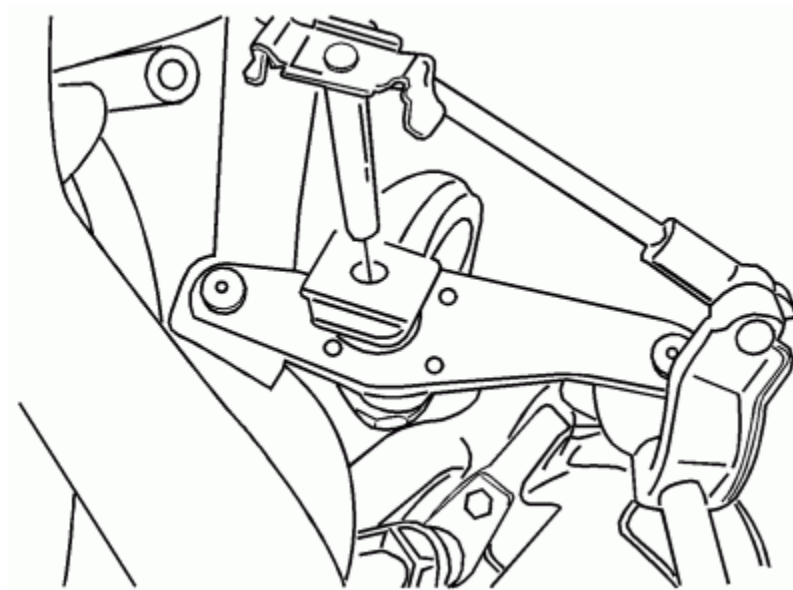
Transmission Replacement

TRANSMISSION REPLACEMENT

Tools Required

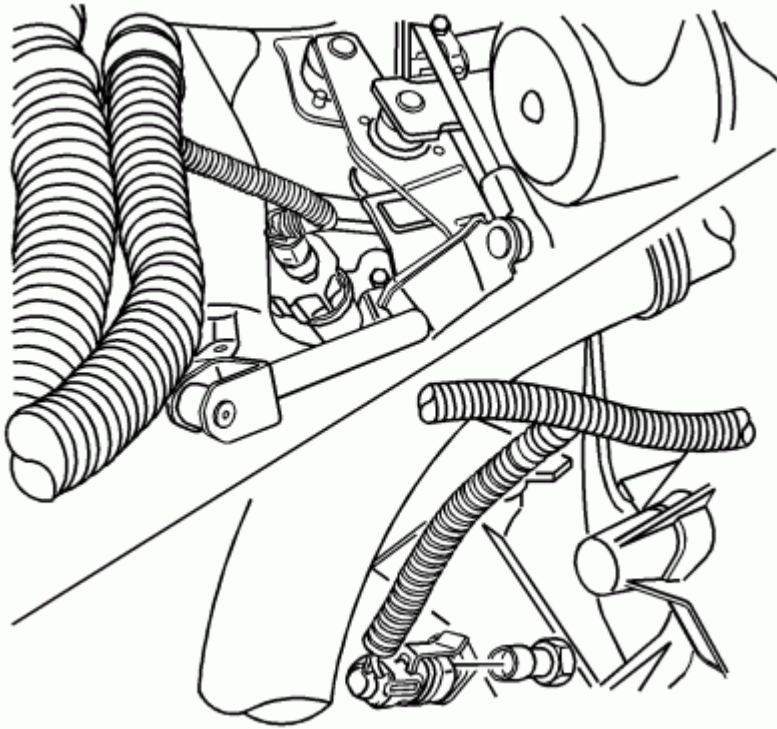
J 28467-B (Image 1) (DW 117) Engine Support Fixture

Removal Procedure



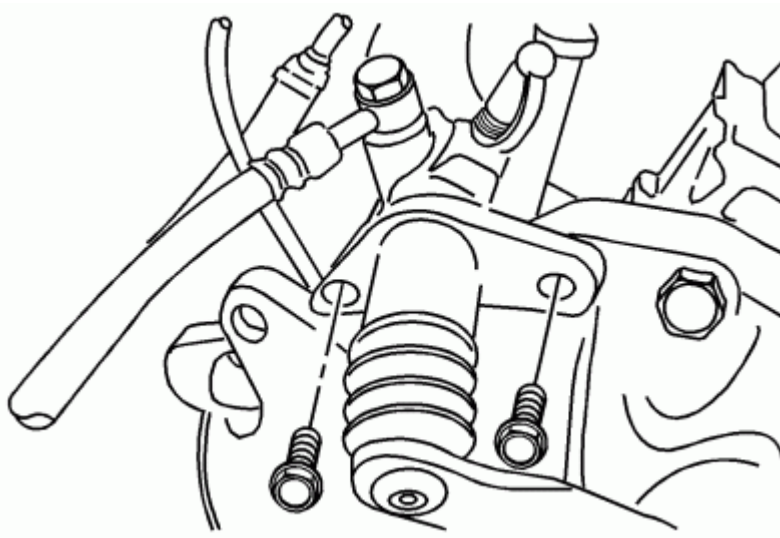
[Click to Enlarge](#)

1. Install the **J 28467-B (Image 1)** .
2. Remove the battery and battery tray. Refer to [Battery and Battery Tray Replacement](#) in Engine Electrical.
3. Remove the shift linkage assembly. Refer to [Shift Linkage Adjustment](#) .
4. Remove the drive axle shaft. Refer to [Front Drive Axle Inner Shaft Replacement](#) in Front Drive Axle.



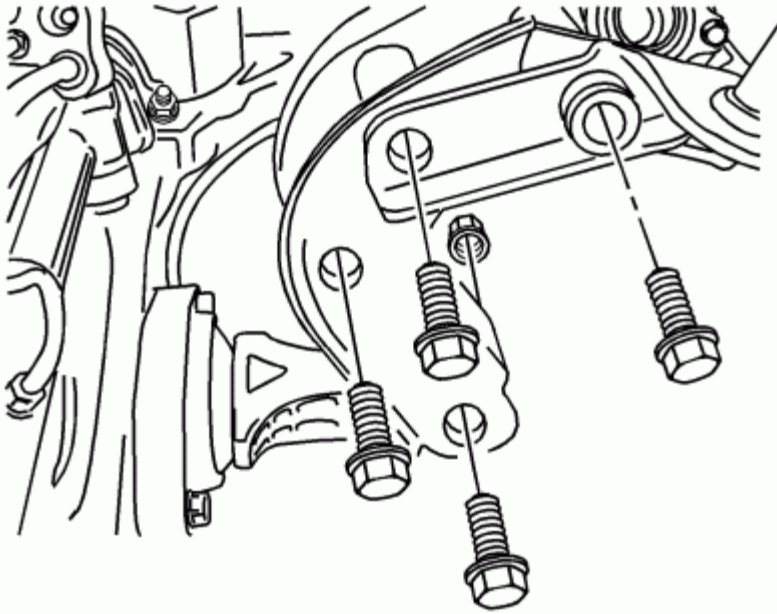
[Click to Enlarge](#)

5. Disconnect the backup lamp switch electrical connector.
6. Disconnect the speedometer speed sensor electrical connector.



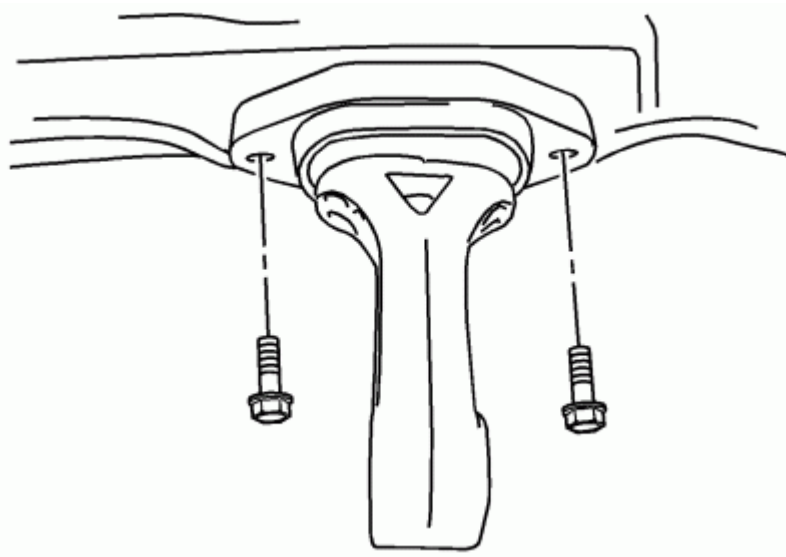
[Click to Enlarge](#)

7. Remove the clutch release cylinder retaining bolts and the clutch release cylinder.



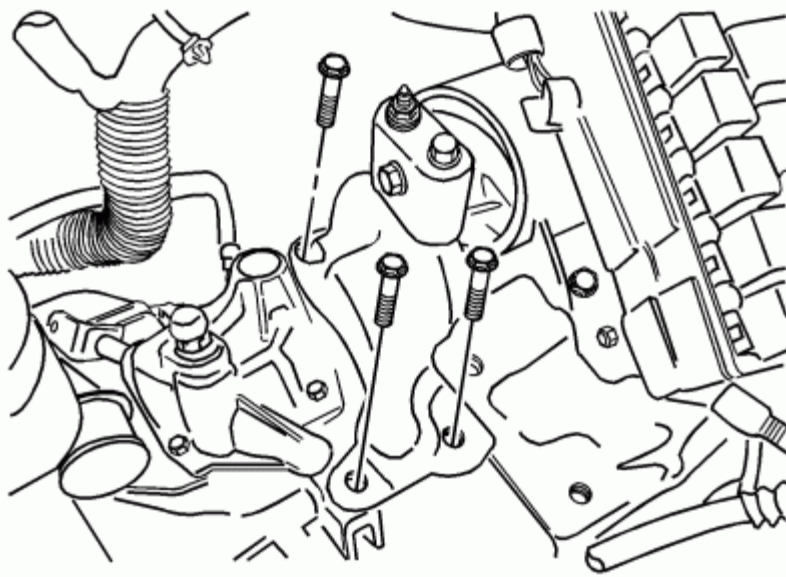
[Click to Enlarge](#)

8. Remove the damping block connection nut and bolt.
9. Remove the 3 rear mounting bracket bolts.
10. Remove the rear mounting bracket from the transaxle.



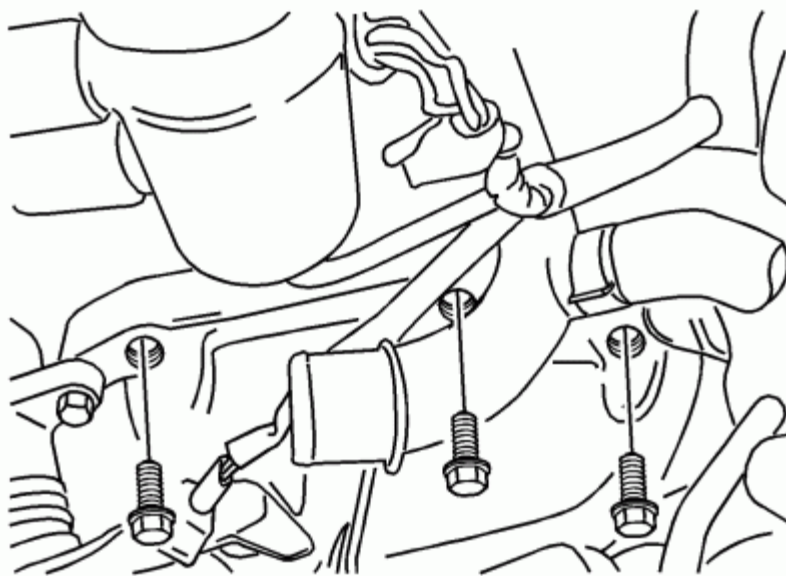
[Click to Enlarge](#)

11. Remove the 2 rear damping block retaining bolts.
12. Remove the rear damping block from the front cross member.



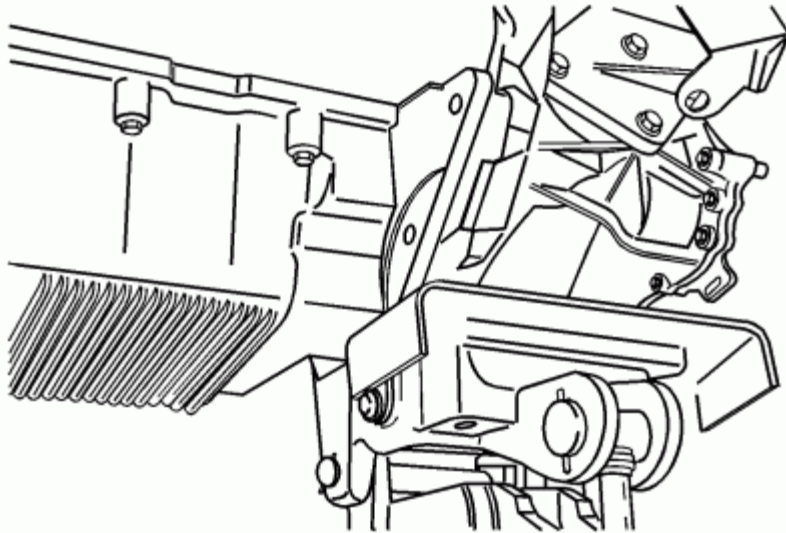
[Click to Enlarge](#)

13. Remove the 2 cage retaining bolts.
14. Remove the 3 transaxle upper mounting bracket bolts.
15. Remove the upper mounting bracket and cage.



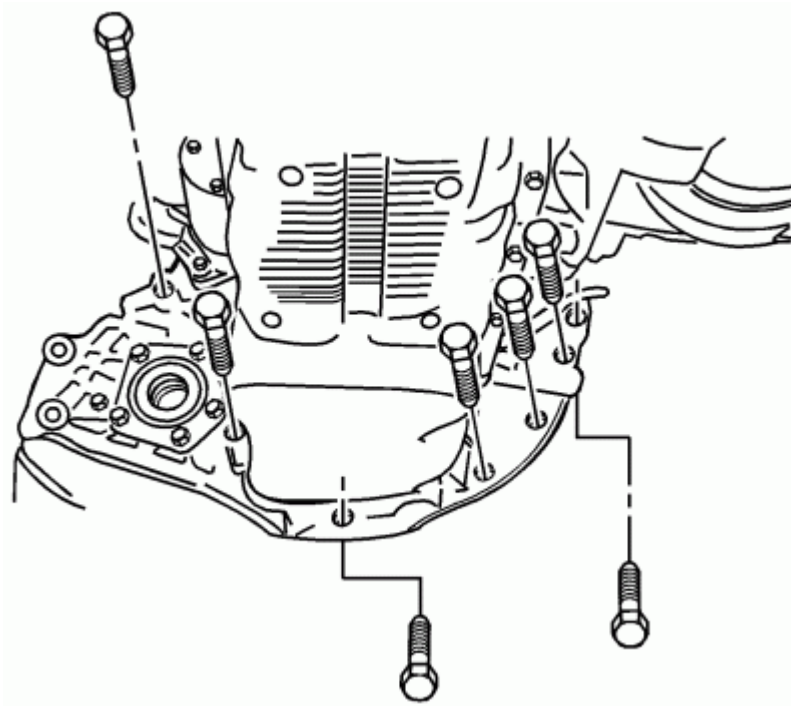
[Click to Enlarge](#)

16. Remove the 3 transaxle upper retaining bolts.



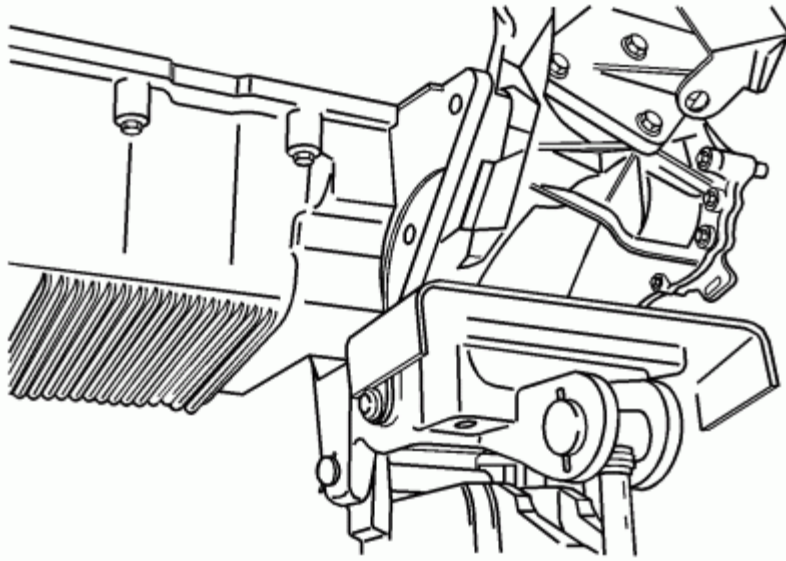
[Click to Enlarge](#)

17. Support the transaxle with a transaxle support jack.



[Click to Enlarge](#)

18. Remove the 7 transaxle lower retaining bolts.



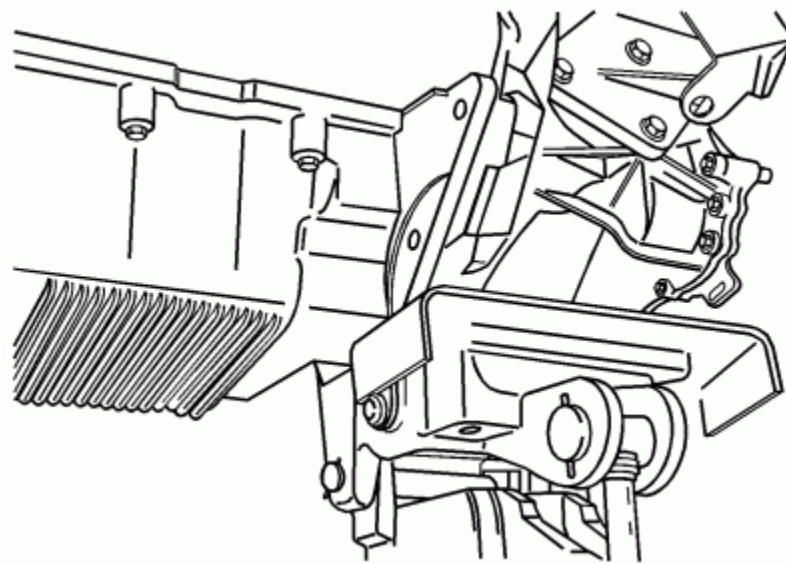
[Click to Enlarge](#)

NOTE

Important: Rest the transaxle only in an upright position

19. Remove the transaxle.
20. Slide the transaxle sideways away from the engine block.
21. Lower the transaxle.

Installation Procedure



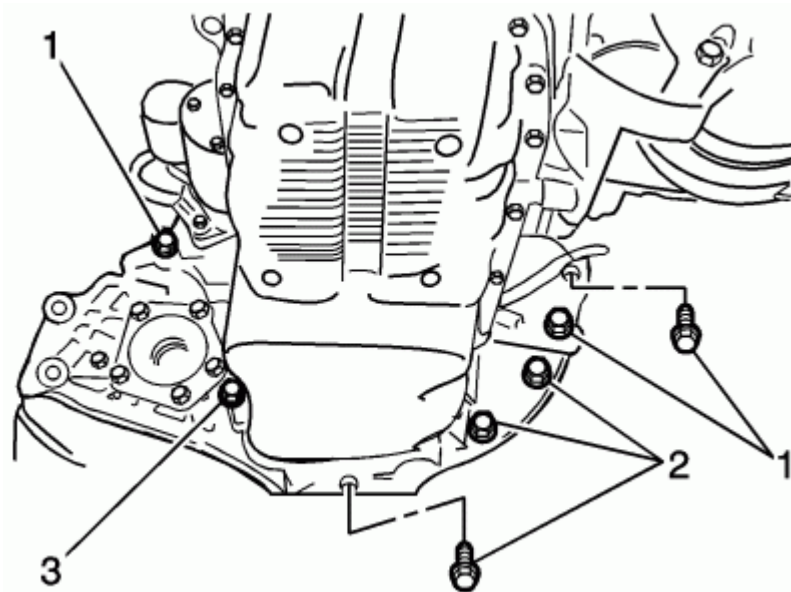
[Click to Enlarge](#)

1. Support the transaxle with a transaxle support jack.

2. Install the transaxle by inserting the transaxle input shaft into the clutch disc and sliding the transaxle sideways into the engine block.

NOTE

Notice: Refer to Fastener Notice (Refer To List 1) in the Preface section.

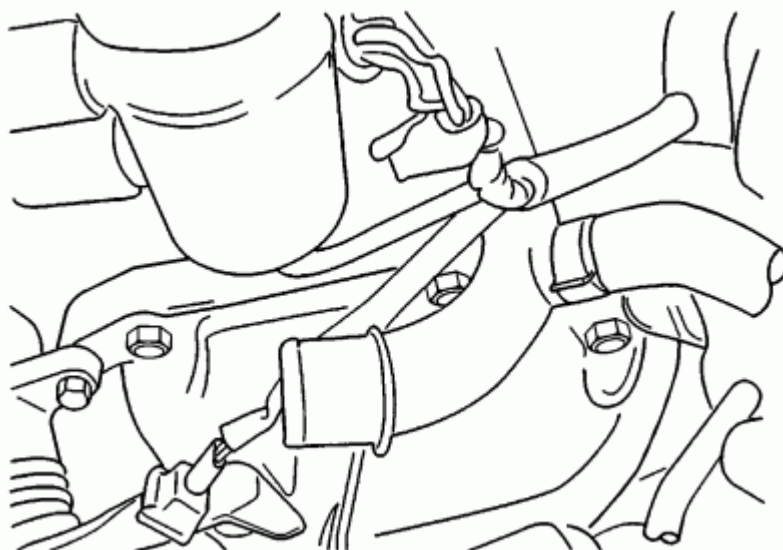


[Click to Enlarge](#)

3. Install the 7 transaxle lower retaining bolts.

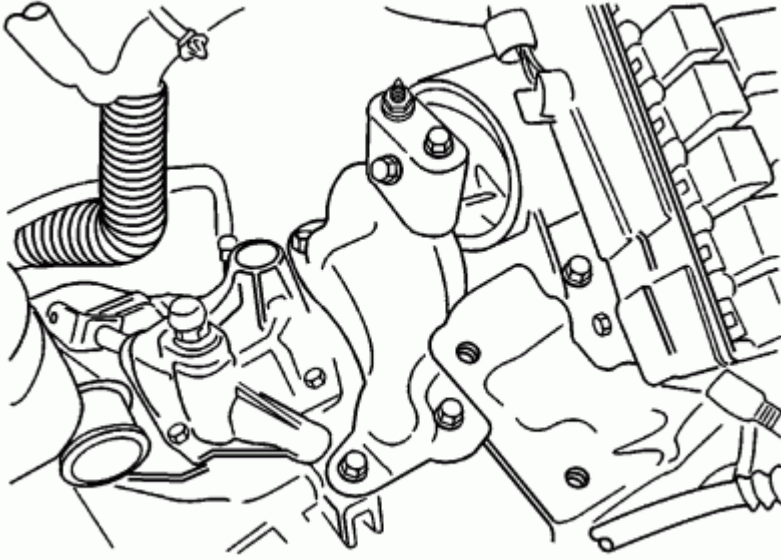
Tighten

- Tighten the transaxle lower retaining bolts to 73 N·m (54 lb ft).
- Tighten the transaxle lower retaining bolt to 31 N·m (23 lb ft).
- Tighten the transaxle lower retaining bolt to 21 N·m (15 lb ft).



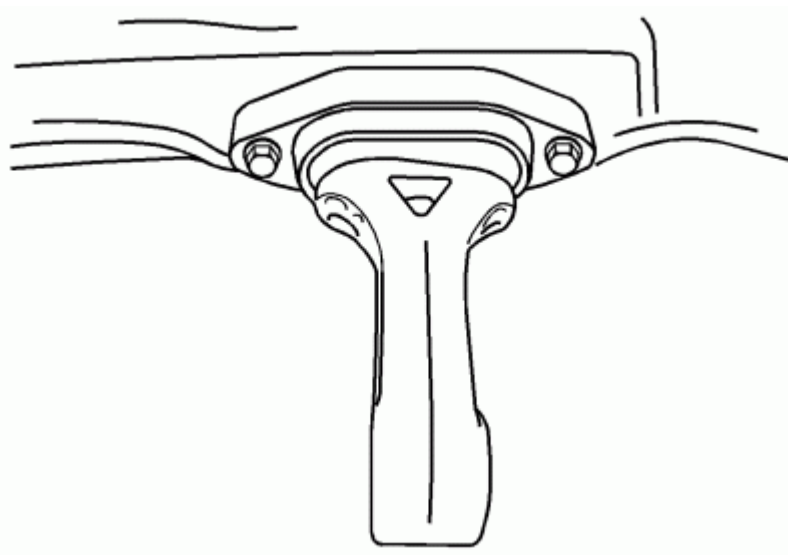
[Click to Enlarge](#)

4. Install the three transaxle upper retaining bolts.
Tighten
Tighten the transaxle upper retaining bolts to 73 N·m (54 lb ft).



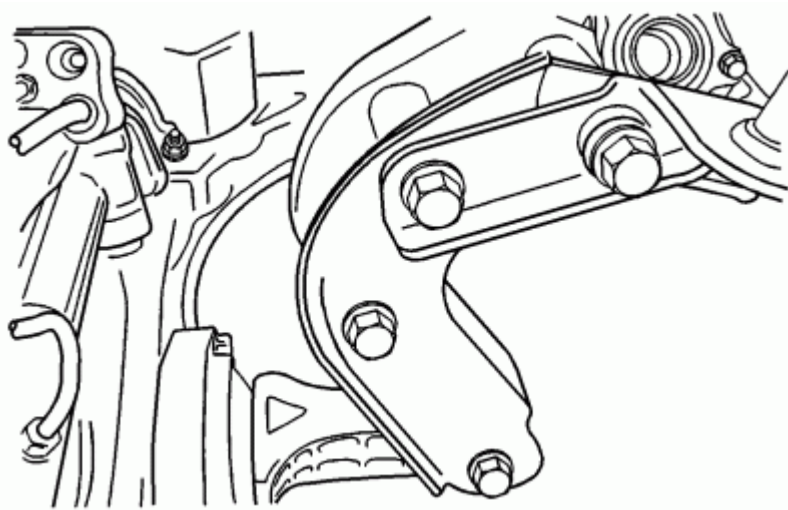
[Click to Enlarge](#)

5. Install the cage retaining bolt and cage.
6. Install the three transaxle upper mounting bracket bolts and bracket.
Tighten
Tighten the transaxle upper mounting bracket bolts to 60 N·m (44 lb ft).



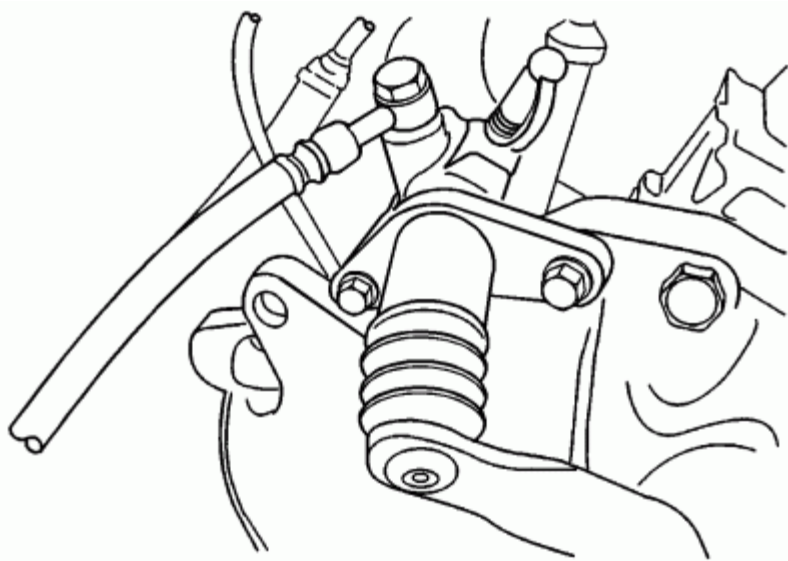
[Click to Enlarge](#)

7. Install the 2 rear damping block retaining bolts.
Tighten
Tighten the rear damping block retaining bolts to 55 N·m (41 lb ft).
8. Install the rear damping block from the front cross member.



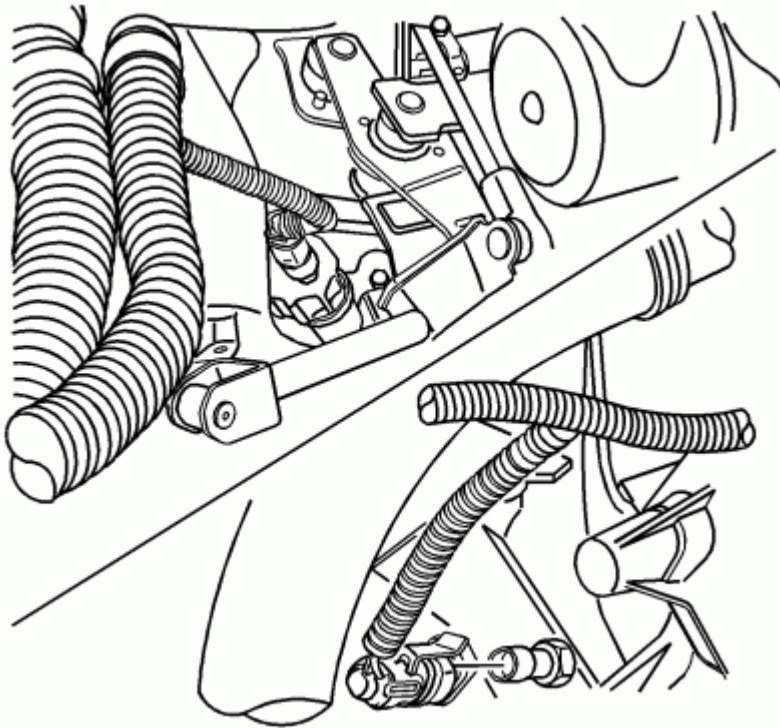
[Click to Enlarge](#)

9. Install the 3 rear mounting bracket bolts and the bracket.
Tighten
Tighten the rear mounting bracket bolts to 80 N·m (59 lb ft).
10. Install the damping block connection nut and bolt.
Tighten
Tighten the damping block connection nut and bolt to 80 N·m (59 lb ft).



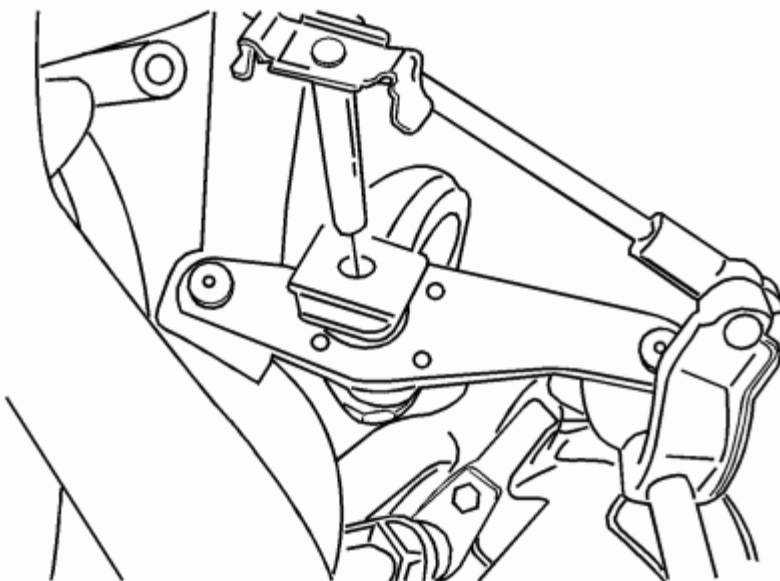
[Click to Enlarge](#)

11. Install the clutch release cylinder retaining bolts and the clutch release cylinder.
Tighten
Tighten the clutch release cylinder retaining bolts to 20 N·m (15 lb ft).



[Click to Enlarge](#)

12. Connect the speedometer speed sensor electrical connector.
13. Connect the backup lamp switch electrical connector.

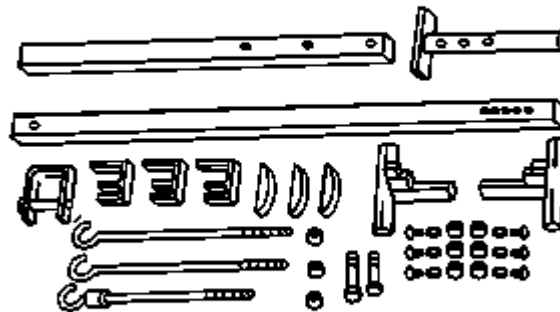


[Click to Enlarge](#)

14. Remove the **J 28467-B (Image 1)** .
15. Install the drive axle shaft. Refer to **Front Drive Axle Inner Shaft Replacement** in Front Drive Axle.
16. Install the shift linkage assembly. Refer to **Shift Control Linkage Replacement** .
17. Install the battery and battery tray. Refer to **Battery and Battery Tray Replacement** in Engine Electrical.
18. Inspect the fluid level. Refer to **Transmission Fluid Level Inspection** .

REFERED IMAGES LIST:

REFER TO LIST:



(Image 1) J 28467-B

List 1

- **[Preface / Cautions And Notices / Introduction / Fastener Notice](#)**
- **[Unsorted / Fastener Notice](#)**