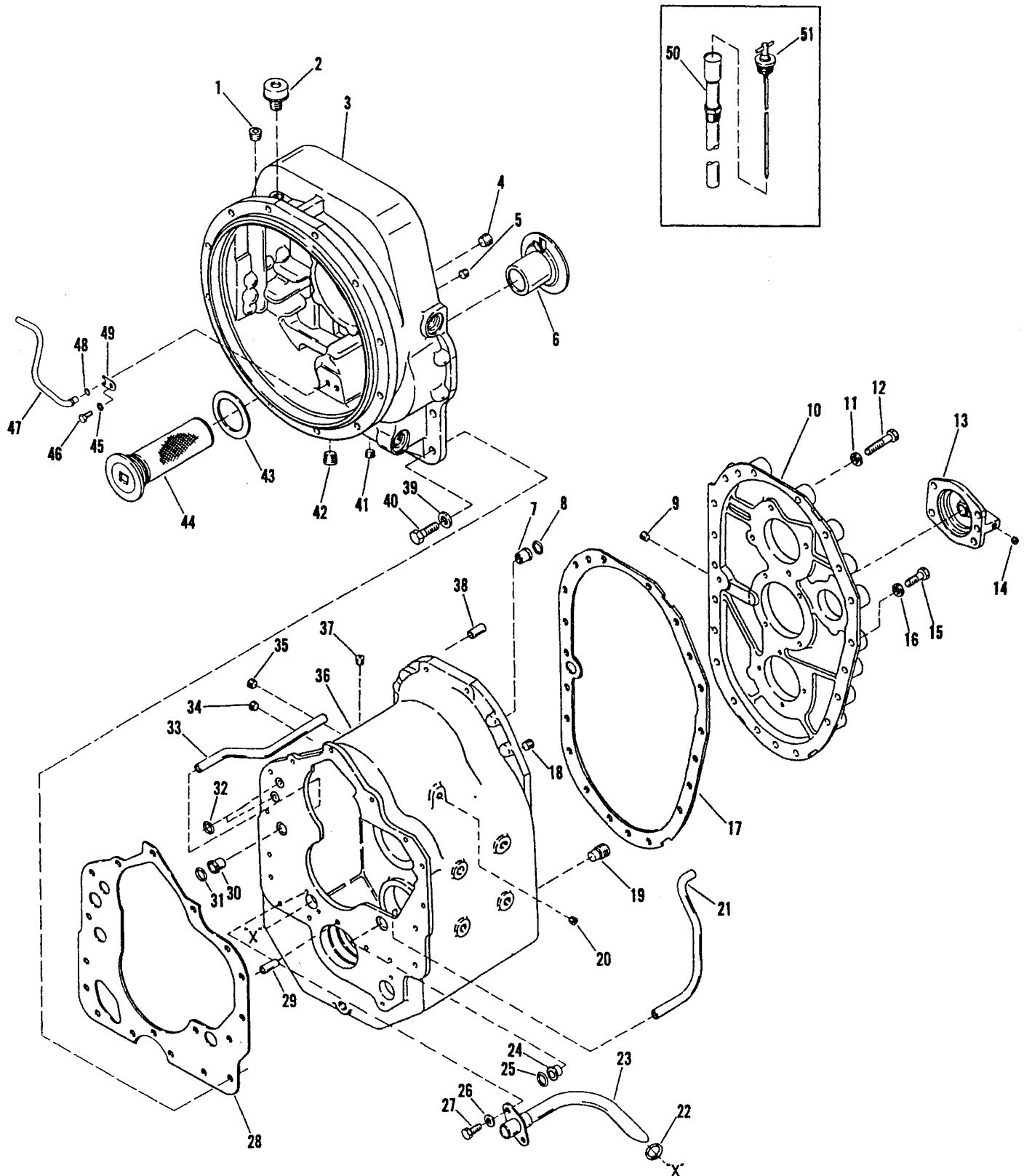


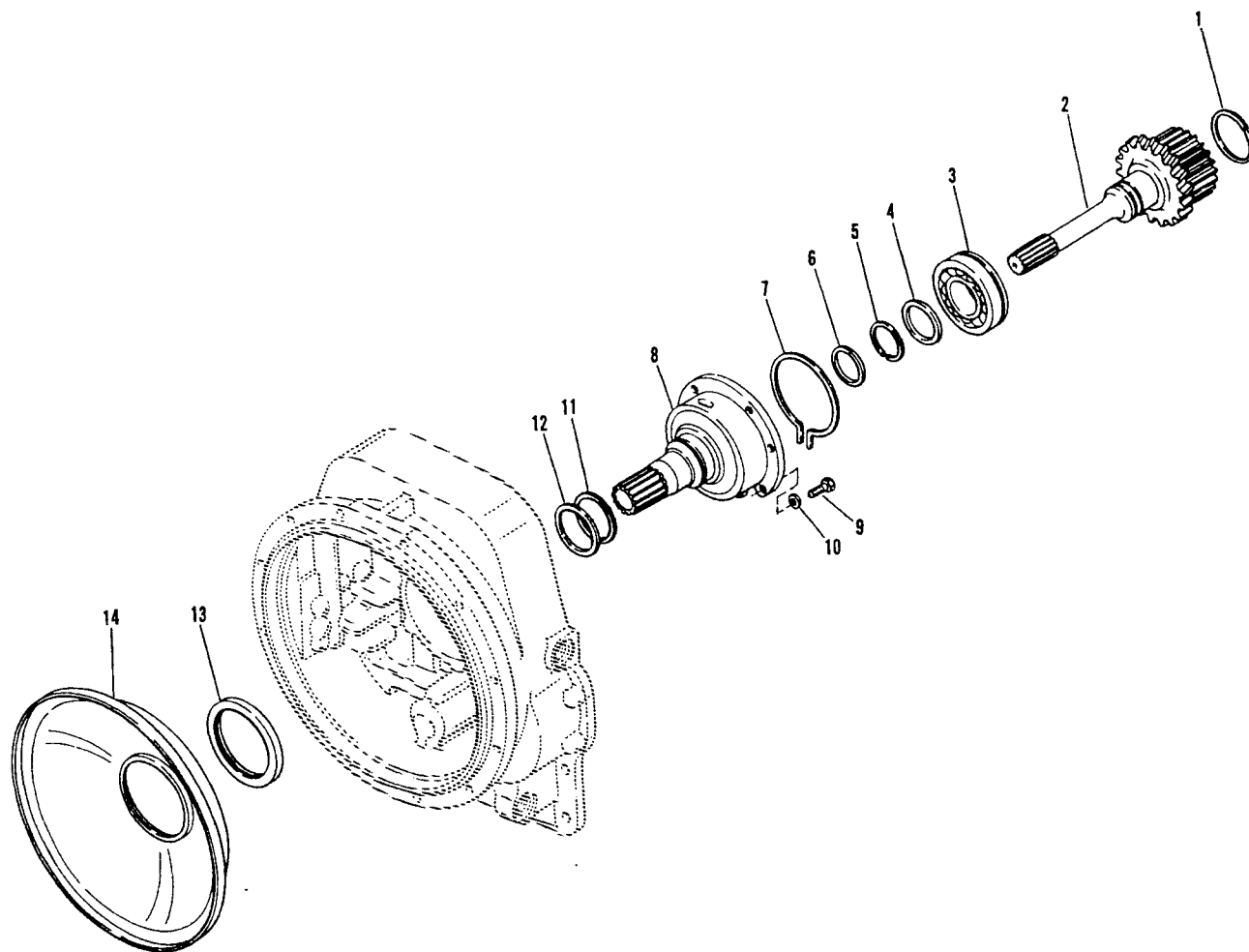
TRANSMISSION SECTION
CLARK 18000 INTERMEDIATE
DATE 01-01-92

* * * INDEX * * *

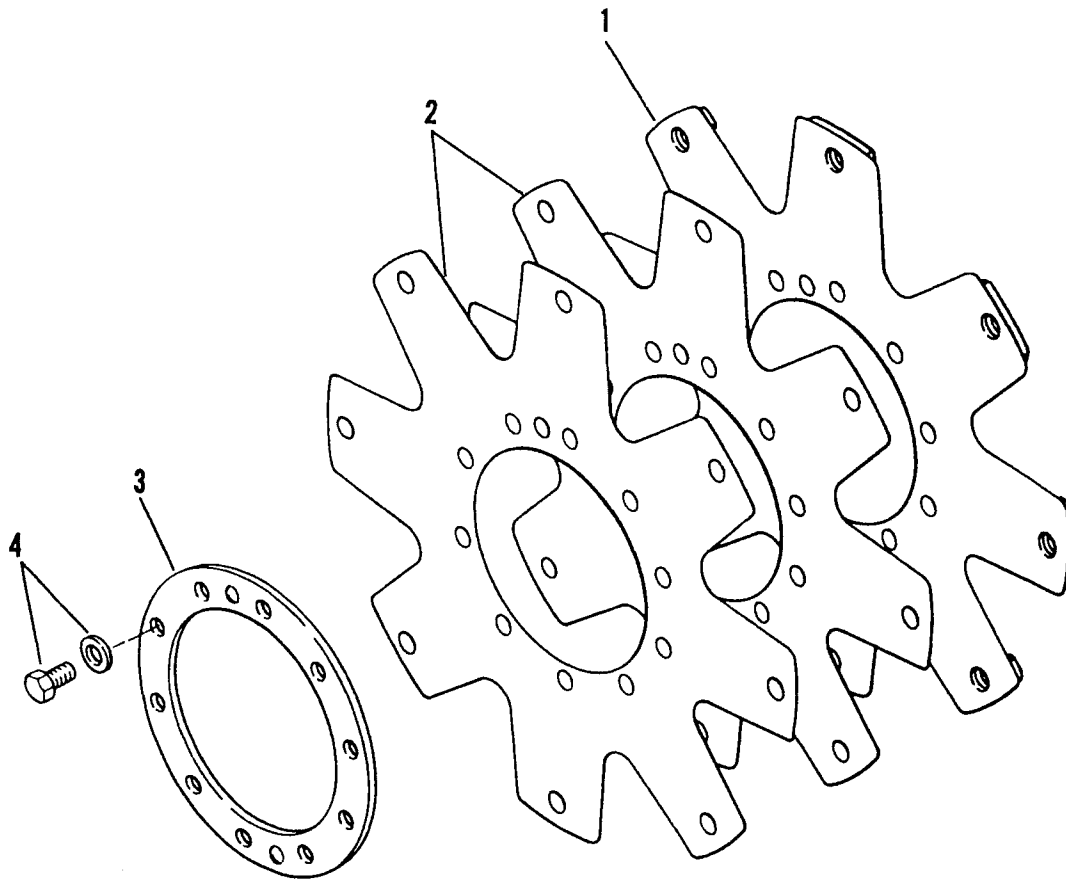
PAGES	DESCRIPTION	DRAWING
1-2	CONVERTER HOUSING / CASE & COVER	P1-2032
3	TURBINE SHAFT & STATOR SUPPORT	P1-2033
4	DRIVE PLATE GROUP	P1-2034
5	MODULATOR VALVE ASSEMBLY	P1-2035
6	PARKING BRAKE GROUP	P1-2036
7-8	HYDRAULIC CONTROL VALVE ASSY	P1-2037
9	CHARGING PUMP & FILTER GROUP	P1-2038
11-12	OUTPUT SHAFT GROUP	P1-2039
13-14	3rd SHAFT CLUTCH GROUP	P1-2040
15-16	LOW SPEED SHAFT GROUP	P1-2041
17-18	REVERSE & 2nd SHAFT GROUP	P1-2042
19	REVERSE IDLER GROUP	P1-2043
21-22	FORWARD SHAFT GROUP	P1-2044
23	CHARGING PUMP DRIVE GROUP	P1-2045
24	AUXILIARY PUMP DRIVE GROUP	P1-2046
25-26	TORQUE CONVERTER ASSEMBLY GROUP	P1-2047



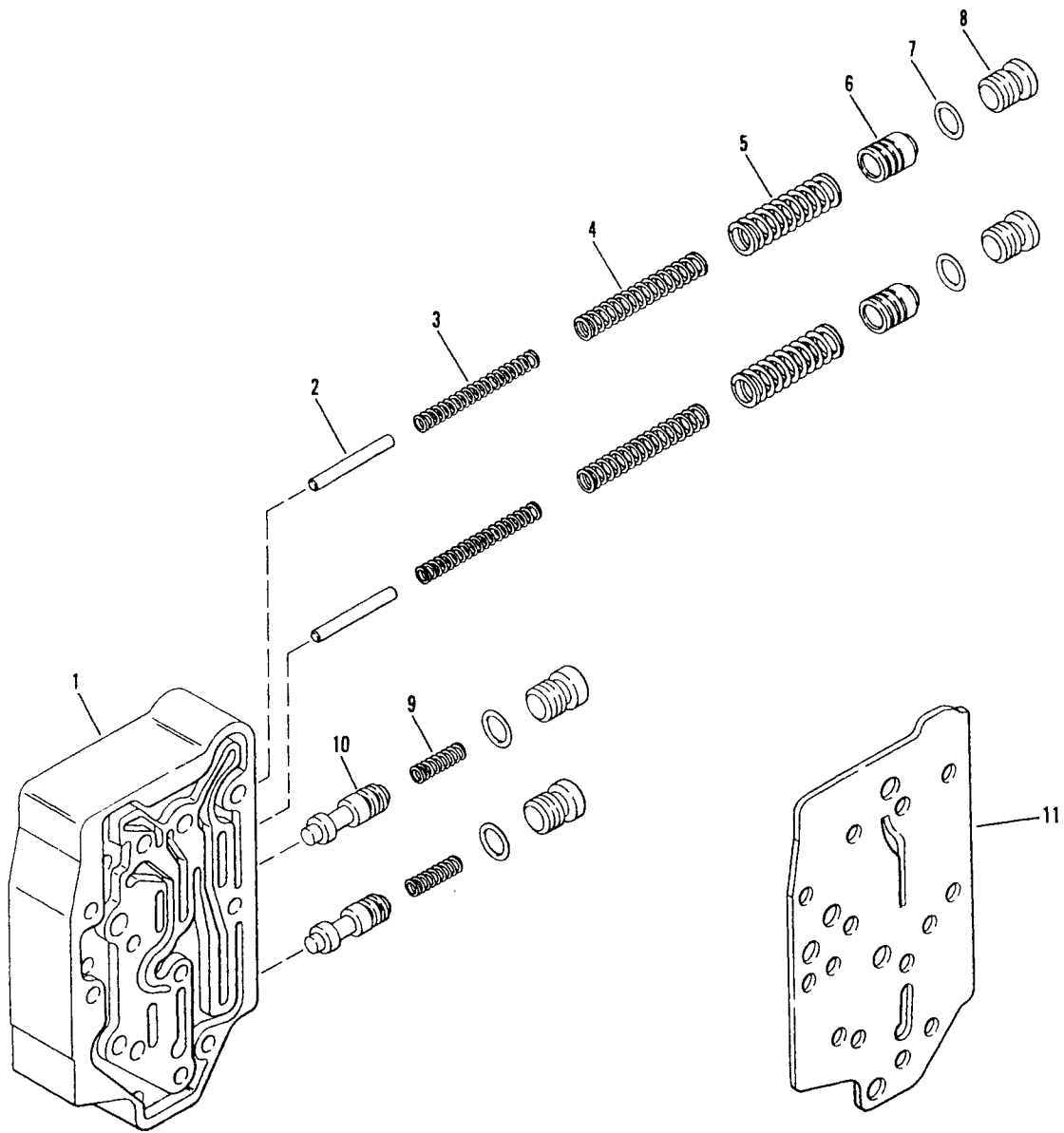
ITEM	NUMBER	DESCRIPTION	REQD
1	7-126-04	PIPE PLUG	1
2	7-126-05	BREATHER / AIR	1
3	7-126-260	HOUSING ASSEMBLY / CONVERTER	1
4	7-126-07	PIPE PLUG	1
5	7-126-08	PIPE PLUG	1
6	7-126-09	SLEEVE / CONVERTER HOUSING	1
7	7-126-21	SLEEVE / TUBE	1
8	7-126-20	O-RING	1
9	7-126-08	PIPE PLUG	1
10	7-126-261	REAR COVER	1
11	7-126-10	LOCKWASHER	10
12	7-126-262	SCREW	10
13	7-126-263	CAP / BEARING	1
14	7-126-30	PLUG	1
15	7-126-262	SCREW	10
16	7-126-10	LOCKWASHER	10
17	7-126-264	GASKET	1
18	7-126-04	PIPE PLUG	1
19	7-126-33	DRAIN PLUG / MAGNETIC	1
20	7-126-265	PIPR PLUG	1
21	7-126-266	TUBE / CLUTCH LUBE	1
22	7-126-37	O-RING	1
23	7-126-267	SUCTION TUBE ASSEMBLY	1
24	7-126-41	TUBE SLEEVE	1
25	7-126-20	O-RING	1
26	7-126-14	LOCKWASHER	2
27	7-126-15	SCREW	2
28	7-126-268	GASKET	1
29	7-126-27	DOWEL PIN	1
30	7-126-21	TUBE SLEEVE	1
31	7-126-20	O-RING	1
32	7-126-22	O-RING	2
33	7-126-23	TUBE / LOW SPEED CLUTCH	1
34	7-126-04	PIPE PLUG	1
35	7-126-32	PIPE PLUG	1
36	7-126-269	TRANSMISSION CASE	1
37		See Items 50 & 51	
38	7-126-27	DOWEL PIN	2
39	7-126-10	LOCKWASHER	16
40	7-126-11	SCREW	16
41	7-126-08	PIPE PLUG	1
42	7-126-07	PIPE PLUG	1
43	7-126-12	GASKET	1
44	7-126-13	SCREEN ASSEMBLY	1
45	7-126-14	LOCKWASHER	1
46	7-126-15	SCREW	1
47	7-126-16	TUBE	1
48	7-126-17	O-RING	1
49	7-126-18	TUBE CLIP	1
50	7-126-270	TUBE ASSEMBLY	1
51	7-126-271	DIPSTICK	1



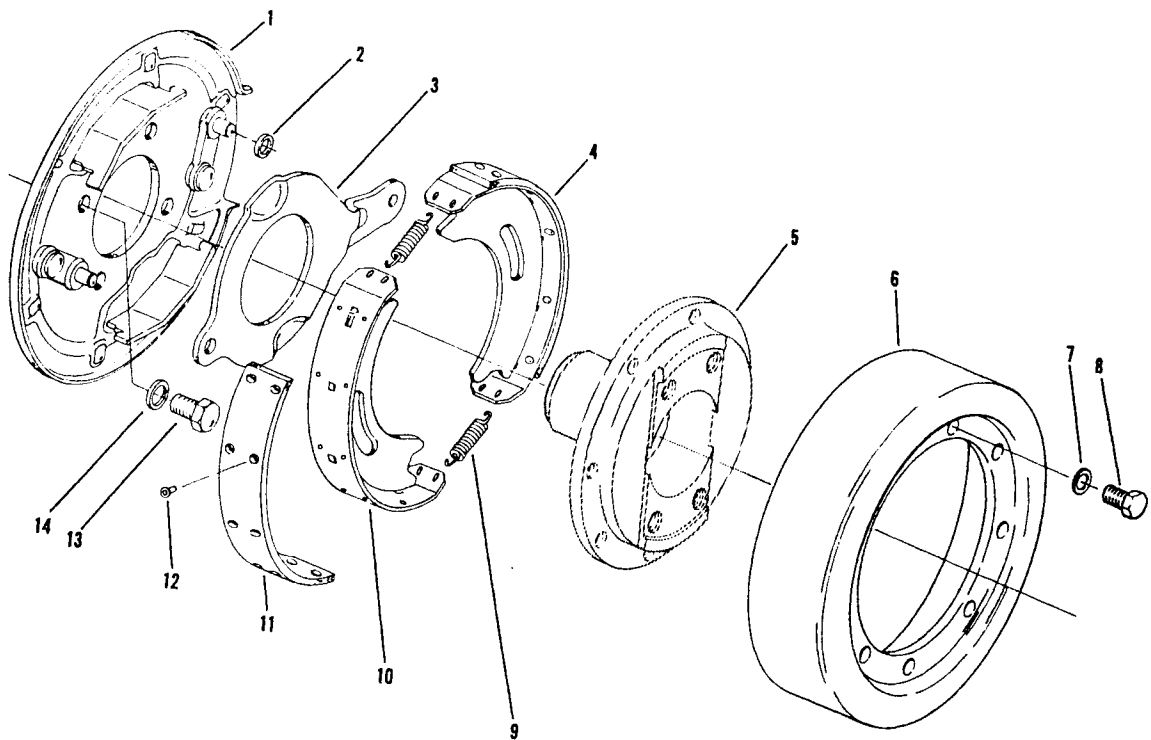
ITEM	NUMBER	DESCRIPTION	REQD
1	7-126-45	RETAINING RING	1
2	7-126-46	TURBINE SHAFT	1
3	7-126-47	BEARING	1
4	7-126-48	WASHER	1
5	7-126-49	RING	1
6	7-126-50	PISTON RING	1
7	7-126-51	SNAP RING	1
8	7-126-52	STATOR SUPPORT	1
9	7-126-53	SCREW	6
10	7-126-54	LOCKWASHER	6
11	7-126-55	SPRING	1
12	7-126-56	PISTON RING	1
13	7-126-57	OIL SEAL	1
14	7-126-58	OIL BAFFLE ASSEMBLY	1



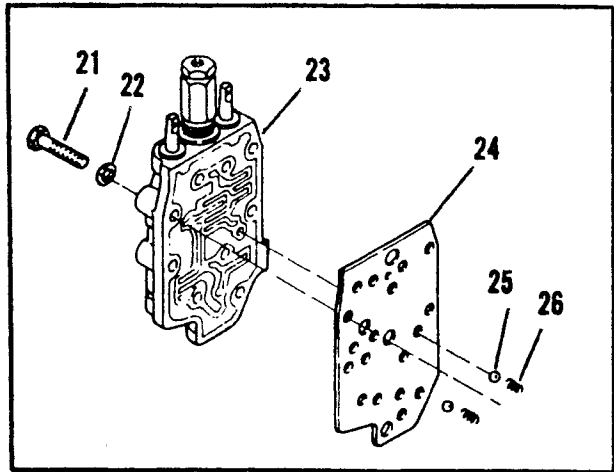
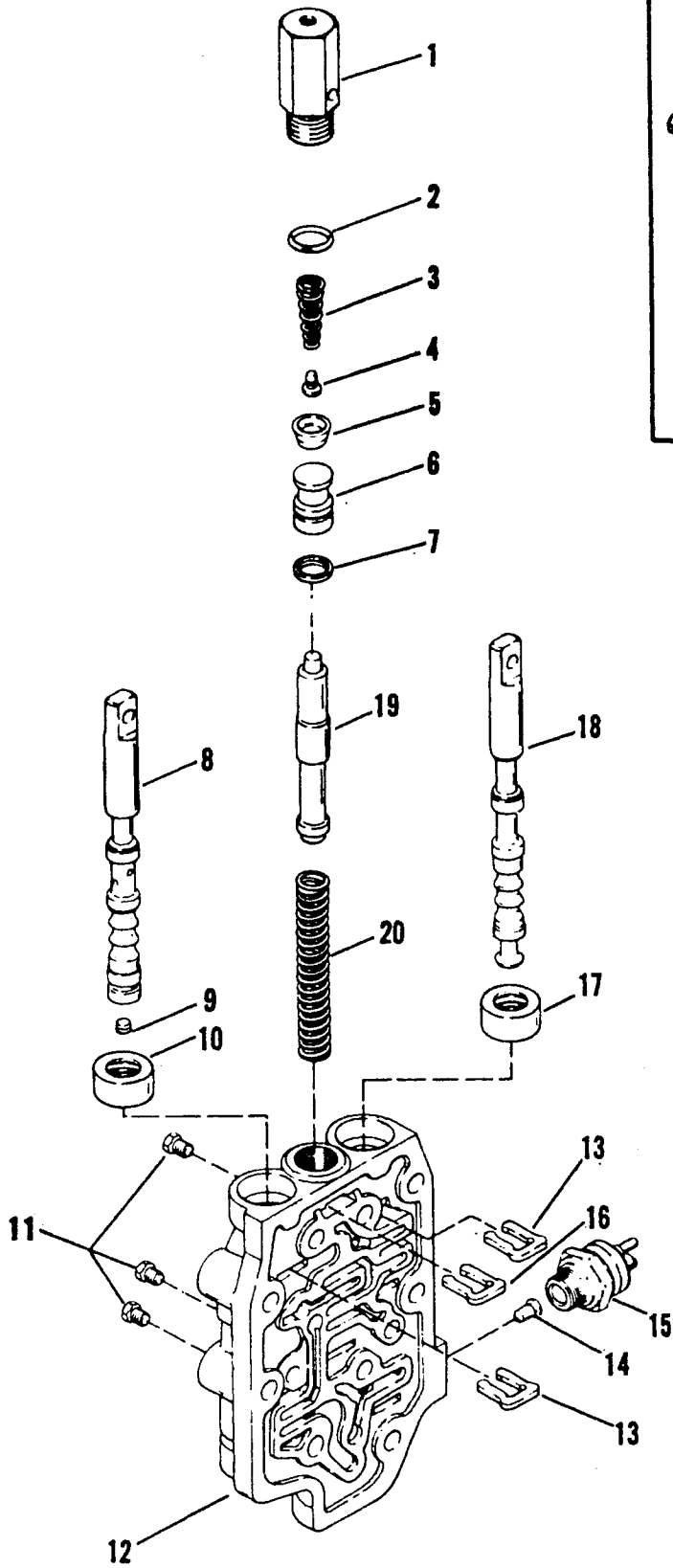
ITEM	NUMBER	DESCRIPTION	REQD
1	7-126-279	DRIVEPLATE ASSEMBLY	1
2		DRIVEPLATE / Included In Item 1	
3	7-126-60	RING	1
4	7-126-61	SCREW & LOCKWASHER	10



ITEM	NUMBER	DESCRIPTION	REQD
1	7-126-62	MODULATOR VALVE ASSEMBLY	1
2	7-126-63	PIN / ACCUMULATOR	2
3	7-126-64	SPRING / ACCUMULATOR / INNER	2
4	7-126-65	SPRING / ACCUMULATOR / OUTER	2
5	7-126-66	SPRING / ACCUMULATOR / OUTER	2
6		ACCUMULATOR VALVE / With Item (1)	
7	7-126-67	O-RING	4
8	7-126-68	STOP PLUG	4
9	7-126-69	SPRING	2
10		REGULATOR SPOOL / With Item (1)	
11	7-126-70	GASKET	1

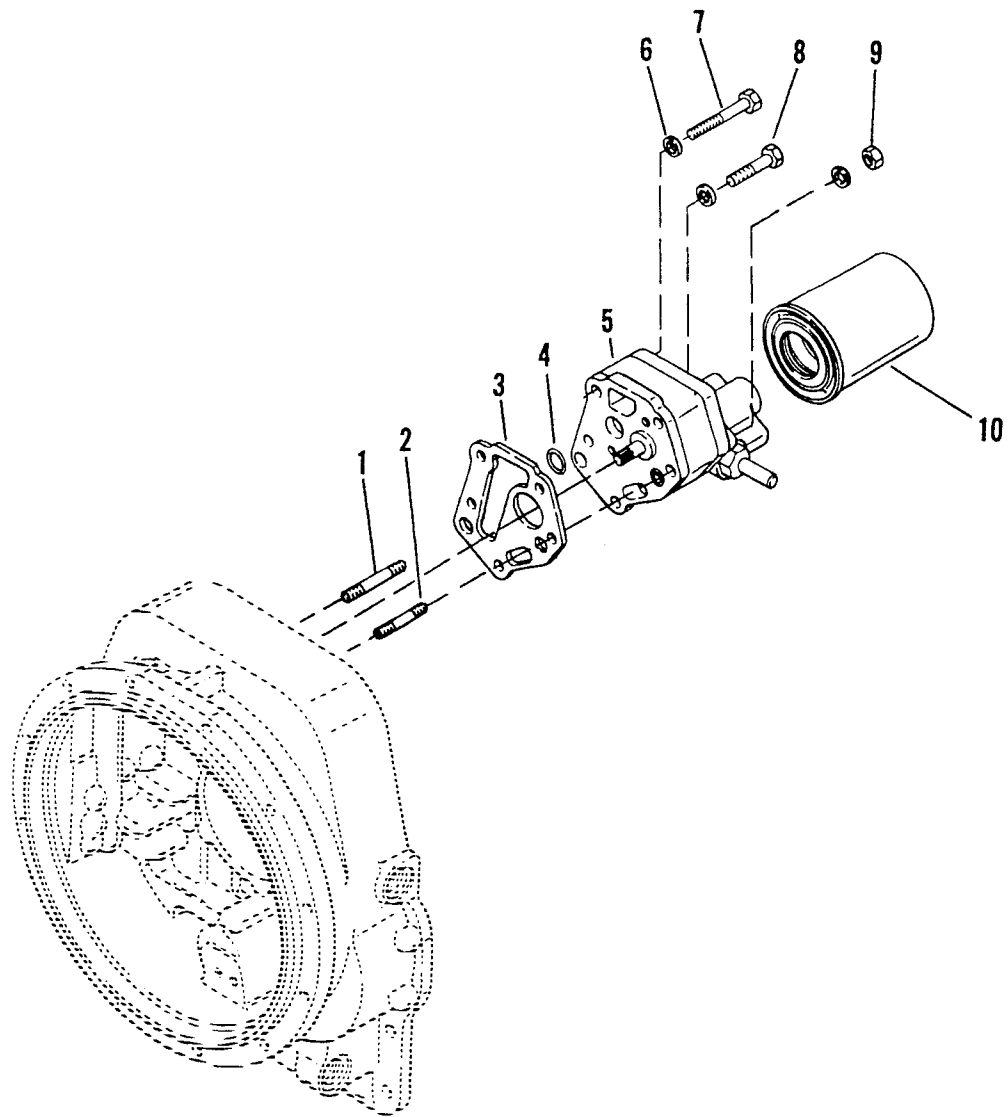


ITEM	NUMBER	DESCRIPTION	REQD
1	7-126-72	BACKING PLATE ASSEMBLY	1
2	7-126-73	ROLLER	1
3	7-126-74	ACTUATING LEVER	1
4	7-126-298	BRAKE SHOE & LINING SET	1
5	7-126-255	BRAKE FLANGE	1
6	7-126-76	DRUM	1
7	7-126-54	LOCKWASHER	6
8	7-126-77	SCREW	6
9	7-126-78	SPRING	2
10		BRAKE SHOE / See Item 4	REF
11	7-126-299	LINER & RIVET KIT	1
12	7-126-80	RIVET	20
13	7-126-81	SCREW	4
14	7-126-82	LOCKWASHER	4

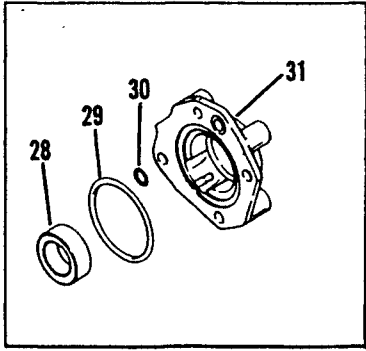
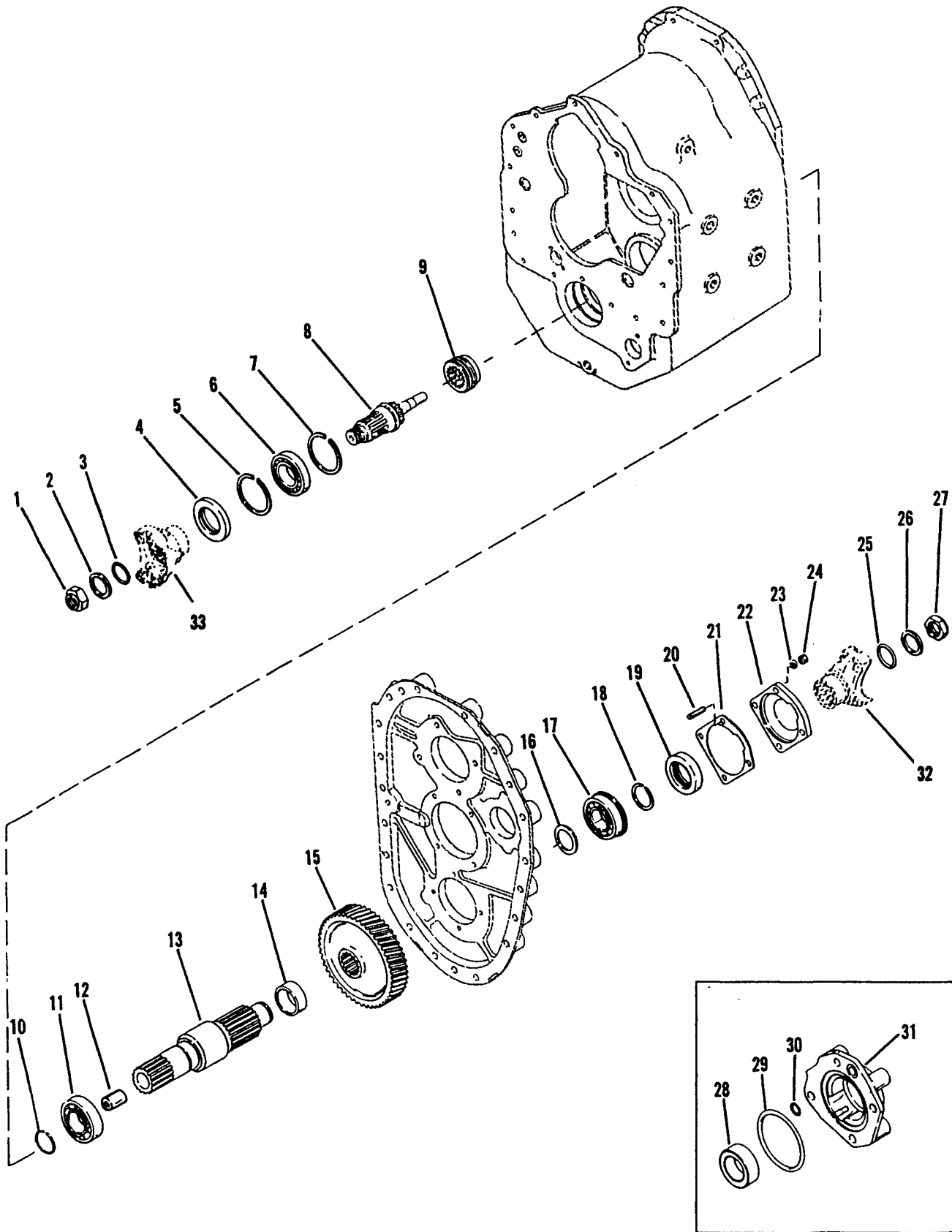


HYDRAULIC DECLUTCH

ITEM	NUMBER	DESCRIPTION	REQD
1	7-126-83	HYDRAULIC ACTUATOR	1
2	7-126-84	O-RING	1
3	7-126-85	SPRING	1
4		SPRING RETAINER PIN W/ ITEM 3	
5	7-126-86	PISTON SEAL	1
6	7-126-87	PISTON	1
7	7-126-88	RING ASSEMBLY	1
8	7-126-89	SPOOL & PLUG ASSEMBLY	1
9	7-126-90	PLUG	1
10	7-126-91	SEAL	1
11	7-126-92	PLUG	3
12	7-126-93	CONTROL VALVE HOUSING ASSY	1
13	7-126-94	SPOOL STOP	2
14	7-126-95	PIN	1
15	7-126-96	NEUTRAL SWITCH	1
16	7-126-94	SPOOL STOP	1
17	7-126-91	SEAL	1
18	7-126-97	FOR-REV VALVE SPOOL	1
19	7-126-98	VALVE SPOOL	1
20	7-126-99	SPRING	1
21	7-126-100	CAPSCREW	9
22	7-126-54	LOCKWASHER	9
23	7-126-101	CONTROL VALVE ASSEMBLY	1
24	7-126-300	GASKET	1
25	7-126-103	BALL / DETENT	2
26	7-126-104	SPRING / DETENT	2

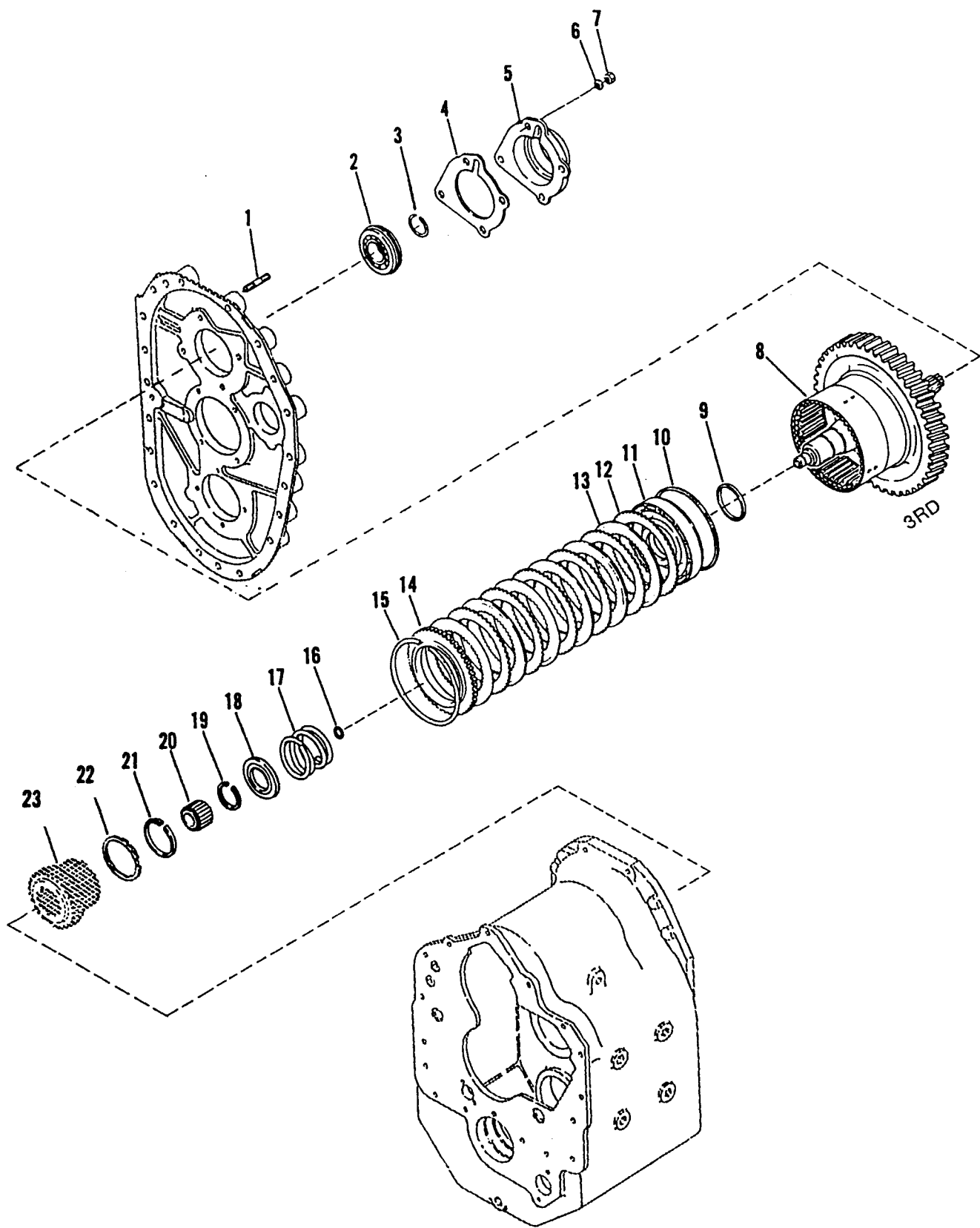


ITEM	NUMBER	DESCRIPTION	REQD
1	7-126-105	STUD / PUMP MOUNT	1
2	7-126-106	STUD / PUMP MOUNT	1
3	7-126-107	GASKET	1
4	7-126-22	O-RING	1
5	7-126-108	CHARGING PUMP ASSEMBLY	1
6	7-126-10	LOCKWASHER	5
7	7-126-109	CAPSCREW	1
8	7-126-110	CAPSCREW	2
9	7-126-111	NUT	2
10	7-126-301	FILTER	1



PARKING BRAKE
LESS SPEEDO GEAR

ITEM	NUMBER	DESCRIPTION	REQD
1	7-126-302	NUT / FLANGE	1
2	7-126-303	WASHER	1
3	7-126-304	O-RING	1
4	7-126-305	OIL SEAL	1
5	7-126-306	RETAINER RING	1
6	7-126-307	BEARING	1
7	7-126-308	RETAINER RING	1
8	7-126-309	SHAFT / DISCONNECT	1
9	7-126-310	DRIVE COUPLING	1
10	7-126-49	RETAINING RING	1
11	7-126-161	BEARING	1
12	7-126-311	BUSHING	1
13	7-126-312	OUTPUT SHAFT & BUSHING ASSEMBLY	1
14	7-126-125	SPACER	1
15	7-126-313	GEAR (48T)	1
16	7-126-123	SPACER	1
17	7-126-113	BEARING	1
18		Not Used On This Model	
19	7-126-114	OIL SEAL	1
20	7-126-115	STUD	4
21		Not Used On This Model	
22		See Item 31	
23	7-126-116	LOCKWASHER	4
24	7-126-117	NUT	4
25	7-126-118	O-RING	1
26	7-126-314	WASHER	1
27	7-126-315	FLANGE NUT	1
28	7-126-130	SPACER	1
29	7-126-129	O-RING	1
30	7-126-128	O-RING	1
31	7-126-127	CAP / BEARING	1
32	7-126-255	BRAKE FLANGE	1
33	7-126-317	OUTPUT FLANGE	1



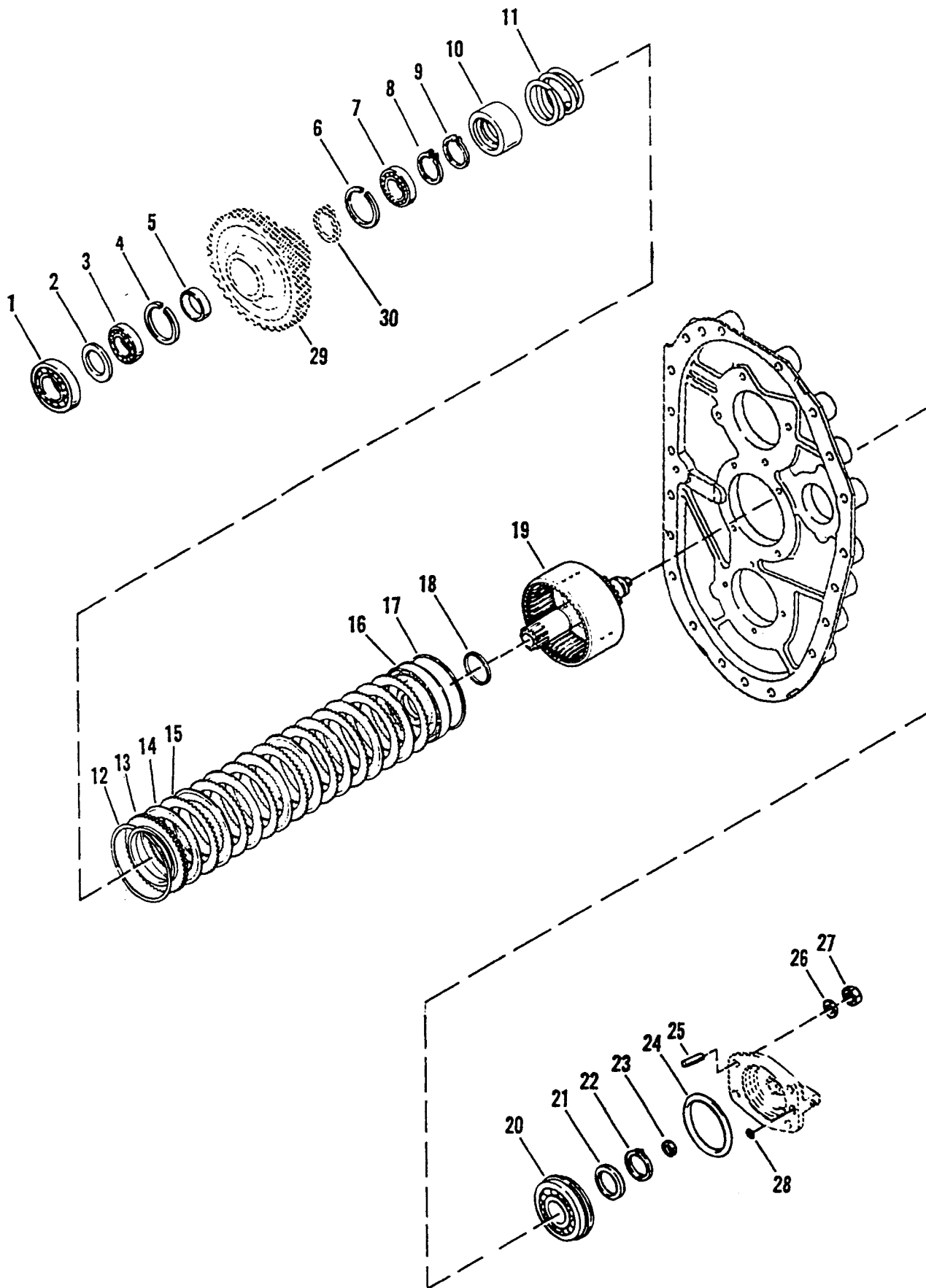
ITEM	NUMBER	DESCRIPTION	REQD
1	7-126-291	STUD	4
2	7-126-133	BEARING	1
3	7-126-174	RETAINING RING	1
4	7-126-292	GASKET	1
5	7-126-293	CAP / BEARING	1
6	7-126-54	LOCKWASHER	4
7	7-126-294	NUT	4
8	7-126-295	DRUM & HUB / CLUTCH SHAFT	1
9	7-126-144	PISTON RING	1
10	7-126-145	PISTON RING	1
11	7-126-146	CLUTCH PISTON ASSEMBLY	1
12	7-126-147	DISC / OUTER	6
13	7-126-148	DISC / INNER	6
14	7-126-149	DISC / BACKING PLATE	1
15	7-126-150	SNAP RING	1
16	7-126-170	RING	1
17	7-126-151	SPRING	1
18	7-126-152	RETAINER / SPRING	1
19	7-126-153	SNAP RING	1
20	7-126-296	BEARING / PILOT	1
21	7-126-210	RETAINER RING	1
22	7-126-45	RETAINING RING	1
23	7-126-318	GEAR / 3rd	1

DRAWING
NUMBER

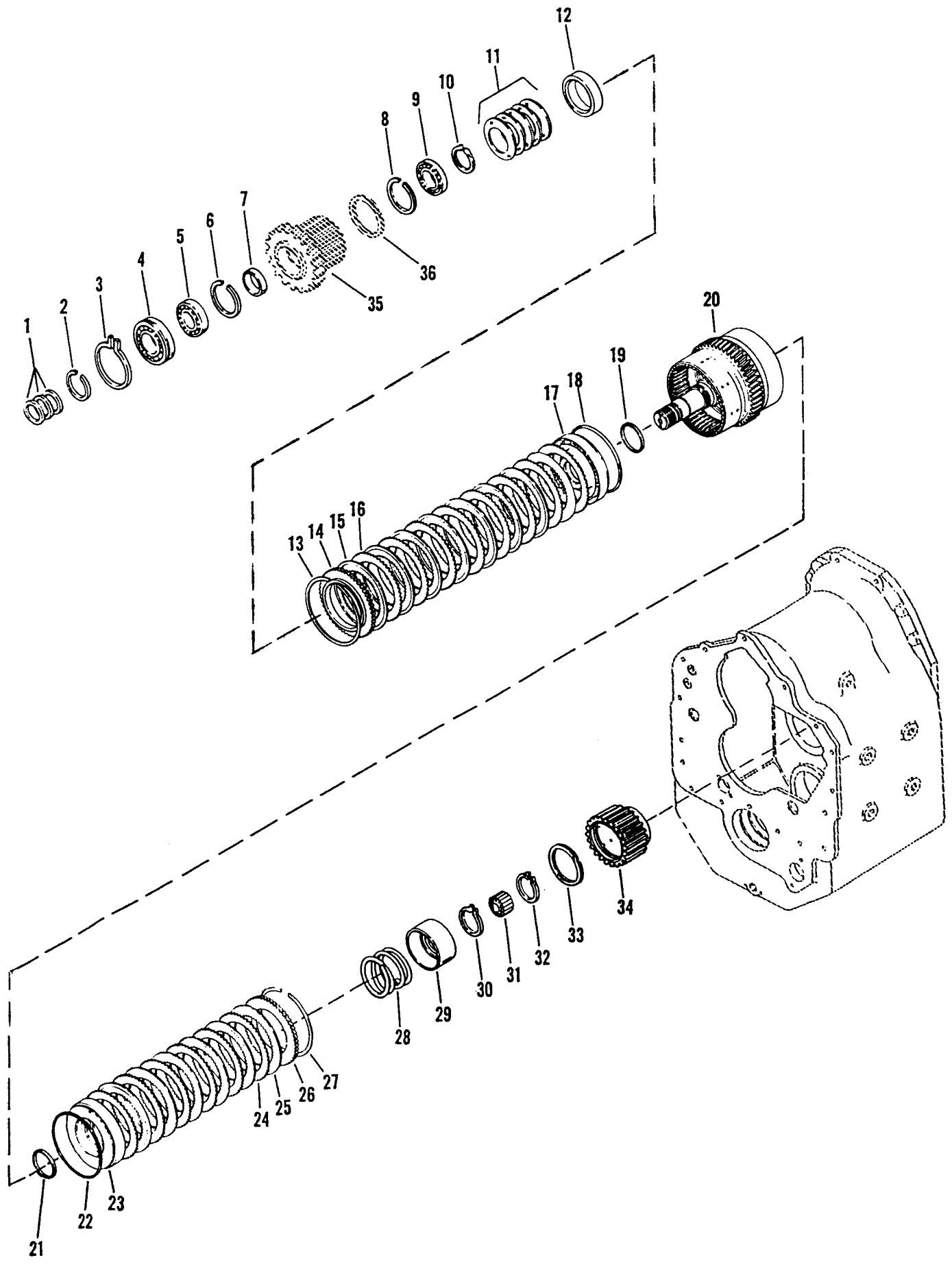
P1-2040

3rd SHAFT CLUTCH GROUP
CLARK TRANSMISSION / INTERMEDIATE DROP

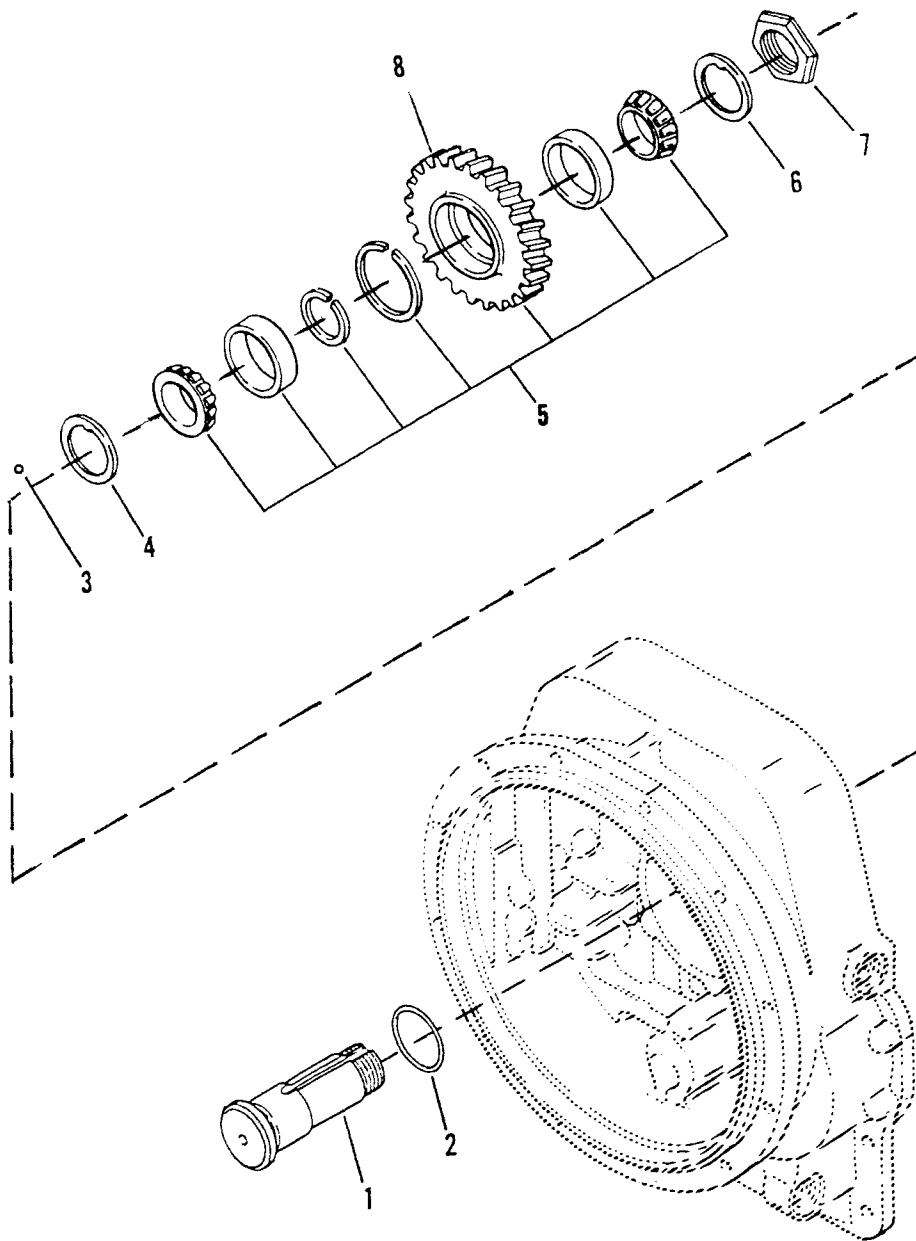
PAGE
NUMBER 14



ITEM	NUMBER	DESCRIPTION	REQD
1	7-126-161	BEARING	1
2	7-126-162	SPACER	1
3	7-126-156	BEARING	1
4	7-126-163	RING	1
5	7-126-164	SPACER	1
6	7-126-163	RING	1
7	7-126-156	BEARING	1
8	7-126-165	RETAINING RING	1
9	7-126-153	SNAP RING	1
10	7-126-152	RETAINER / SPRING	1
11	7-126-151	SPRING	1
12	7-126-150	SNAP RING	1
13	7-126-149	DISC / BACKING PLATE	1
14	7-126-166	DISC / INNER	8
15	7-126-147	DISC / OUTER	8
16	7-126-167	PISTON / CLUTCH	1
17	7-126-145	SEAL	1
18	7-126-144	SEAL	1
19	7-126-290	SHAFT & DRUM / LOW CLUTCH	1
20	7-126-169	BEARING	1
21	7-126-48	WASHER	1
22	7-126-165	RETAINING RING	1
23	7-126-170	PISTON RING	1
24	7-126-171	O-RING	1
25	7-126-141	STUD	4
26	7-126-10	LOCKWASHER	4
27	7-126-111	NUT	4
28	7-126-173	O-RING	1
29	7-126-317	GEAR	1
30	7-126-45	RETAINER RING	1

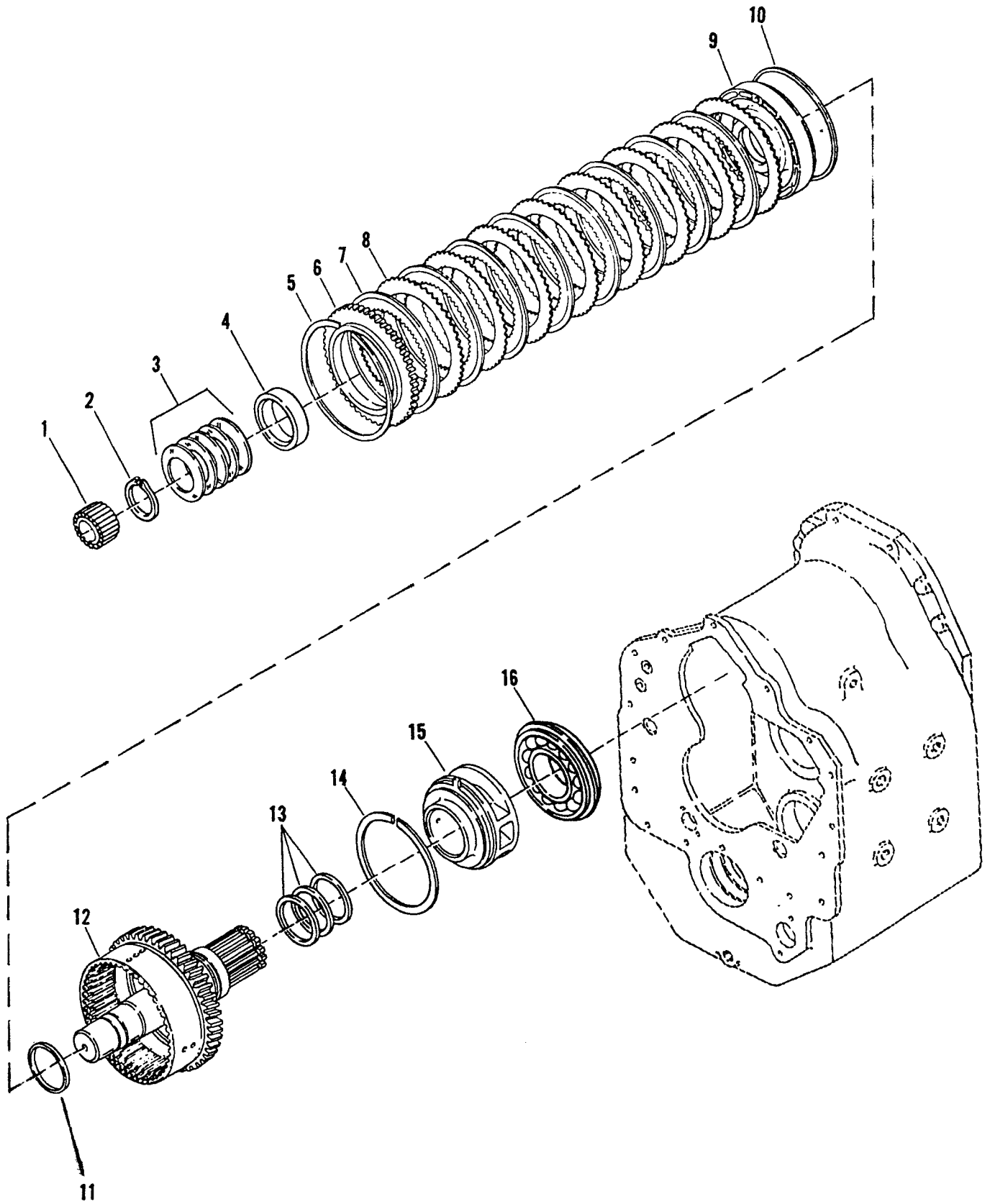


ITEM	NUMBER	DESCRIPTION	REQD
1	7-126-158	PISTON RING	3
2	7-126-174	RING	1
3	7-126-175	SNAP RING	1
4	7-126-176	BEARING	1
5	7-126-177	BEARING	1
6	7-126-178	RETAINER RING	1
7	7-126-179	SPACER	1
8	7-126-178	RETAINER RING	1
9	7-126-180	BEARING	1
10	7-126-181	SNAP RING	1
11	7-126-182	SPRING	5
12	7-126-183	SPACER	1
13	7-126-150	SNAP RING	1
14	7-126-149	DISC / BACKING PLATE	1
15	7-126-148	DISC / INNER	8
16	7-126-147	DISC / OUTER	8
17	7-126-184	CLUTCH PISTON	1
18	7-126-145	SEAL	1
19	7-126-144	SEAL	1
20	7-126-185	DRUM / REVERSE-2nd	1
21	7-126-144	SEAL	1
22	7-126-145	SEAL	1
23	7-126-146	CLUTCH PISTON ASSEMBLY	1
24	7-126-147	DISC / OUTER	6
25	7-126-148	DISC / INNER	6
26	7-126-149	DISC / BACKING PLATE	1
27	7-126-150	SNAP RING	1
28	7-126-151	SPRING	1
29	7-126-152	RETAINER / SPRING	1
30	7-126-153	SNAP RING	1
31	7-126-154	BEARING	1
32	7-126-165	RING	1
33	7-126-45	RETAINER RING	1
34	7-126-186	HUB / 2nd	1
35	7-126-316	GEAR / REVERSE	1
36	7-126-45	RETAINING RING / With Item (35)	1



ITEM	NUMBER	DESCRIPTION	REQD
1	7-126-284	SHAFT / REVERSE IDLER	1
2	7-126-285	O-RING	1
3	7-126-286	LOCKBALL	1
4	7-126-287	THRUST PLATE	1
5	7-126-191	BEARING & IDLER GEAR ASSEMBLY	1
6	7-126-287	THRUST PLATE	1
7	7-126-288	NUT / BEARING RETAINER	1
8	7-126-190	GEAR (37T)	1

NOTES



ITEM	NUMBER	DESCRIPTION	REQD
1	7-126-195	BEARING	1
2	7-126-181	SNAP RING	1
3	7-126-182	SPRING	5
4	7-126-183	SPACER	1
5	7-126-150	SNAP RING	1
6	7-126-149	DISC / BACKING PLATE	1
7	7-126-148	DISC / INNER	8
8	7-126-147	DISC / OUTER	8
9	7-126-184	CLUTCH PISTON	1
10	7-126-145	SEAL	1
11	7-126-144	SEAL	1
12	7-126-289	DRUM ASSEMBLY / FORWARD	1
13	7-126-197	PISTON RING	3
14	7-126-198	RETAINING RING	1
15	7-126-199	SLEEVE	1
16	7-126-200	BEARING	1

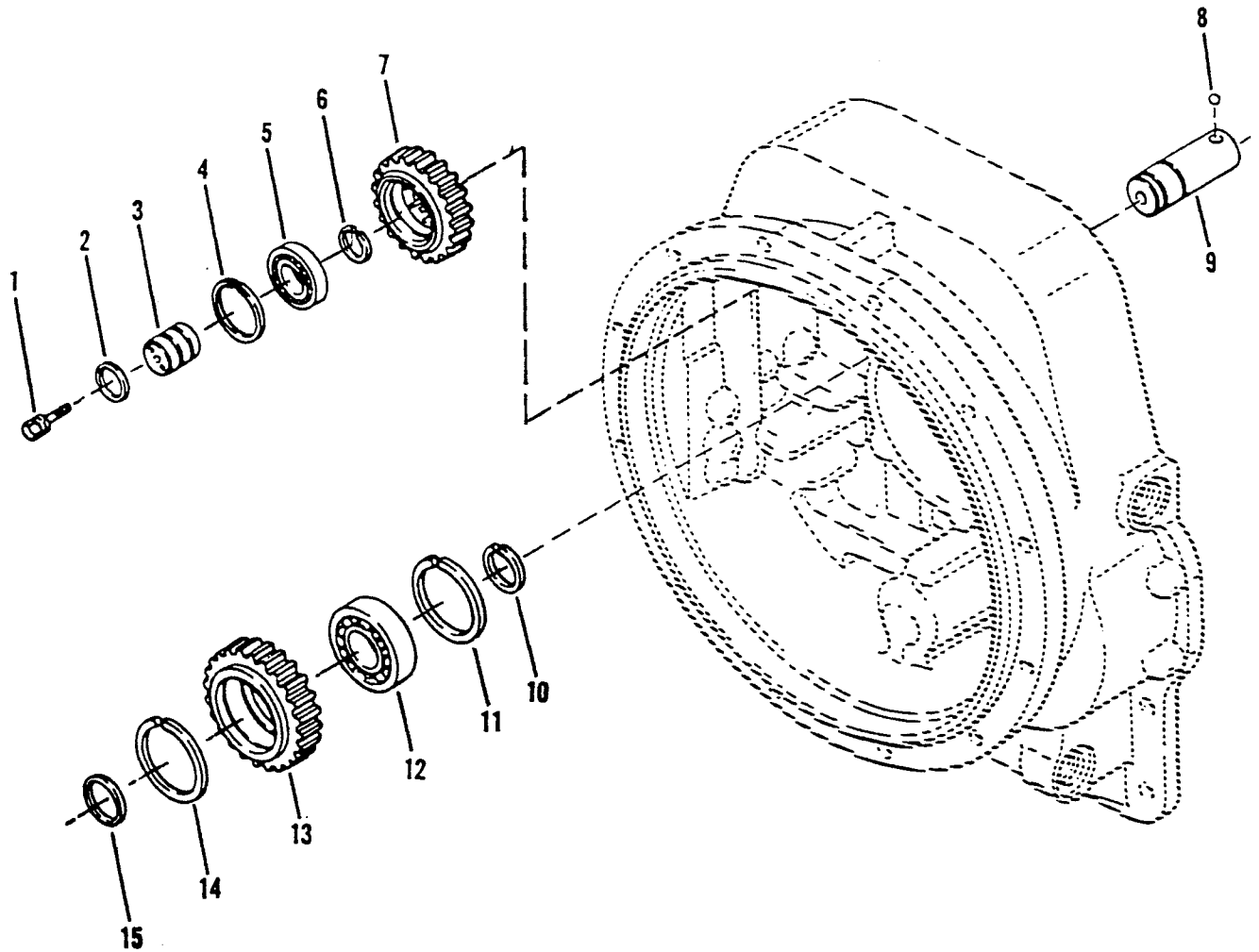
DRAWING
NUMBER

P1-2044

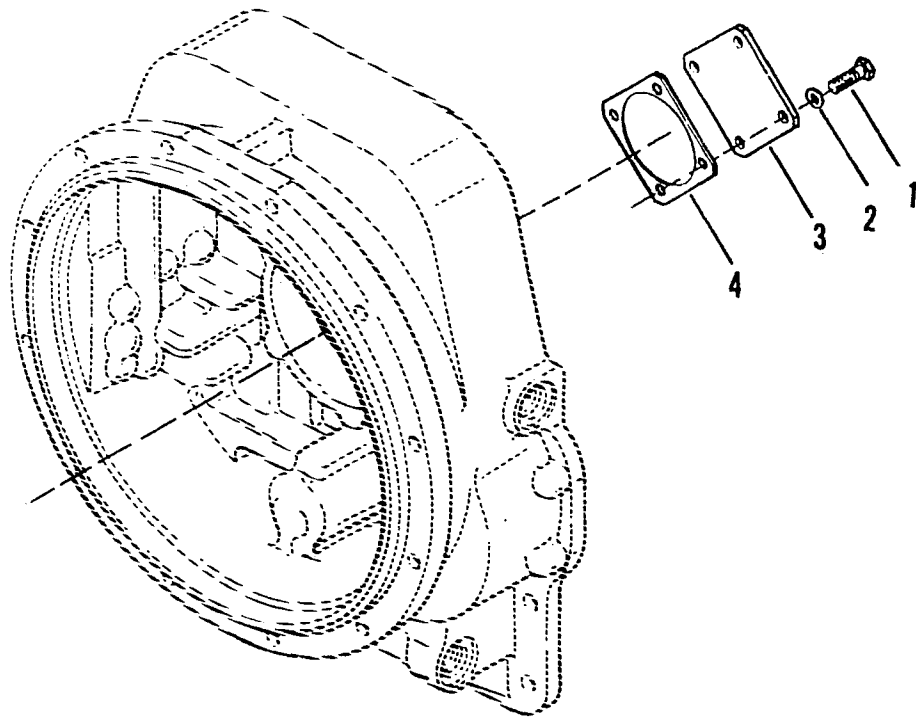
FORWARD SHAFT GROUP
CLARK TRANSMISSION / INTERMEDIATE DROP

PAGE
NUMBER

22



ITEM	NUMBER	DESCRIPTION	REQD
1	7-126-202	SCREW & WASHER	2
2	7-126-203	RING	1
3	7-126-204	BEARING SUPPORT	1
4	7-126-205	RETAINING RING	1
5	7-126-206	BEARING	1
6	7-126-203	RING	1
7	7-126-207	GEAR / PUMP DRIVE	1
8	7-126-208	BALL	1
9	7-126-209	STUB SHAFT	1
10	7-126-203	RING	1
11	7-126-280	RETAINING RING	1
12	7-126-281	BEARING	1
13	7-126-212	GEAR / IDLER	1
14	7-126-282	RETAINING RING	1
15	7-126-203	RING	1



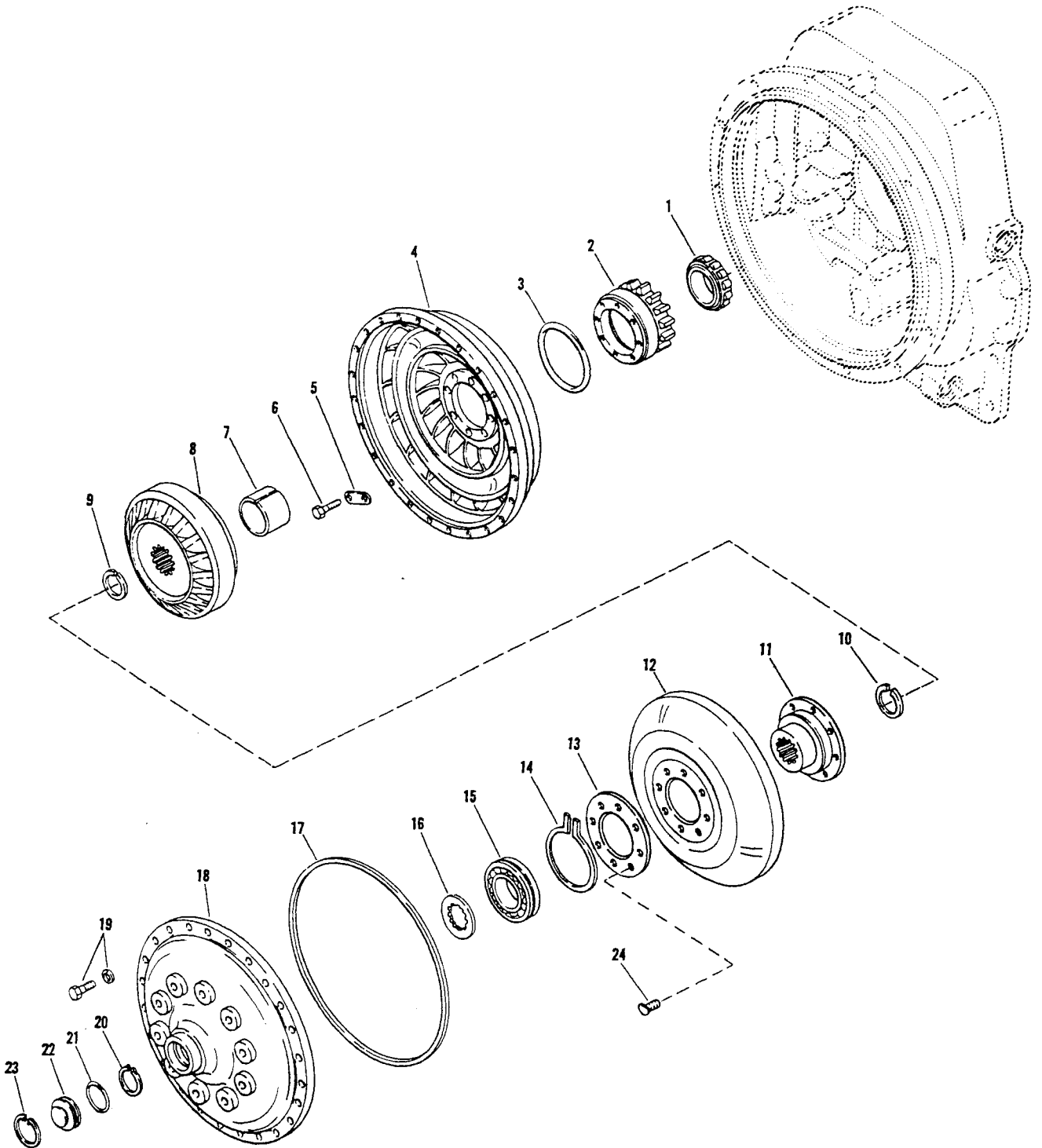
ITEM	NUMBER	DESCRIPTION	REQD
1	7-126-214	CAPSCREW	4
2	7-126-215	LOCKWASHER	4
3	7-126-259	COVER	1
4	7-126-283	GASKET	1

**DRAWING
NUMBER**

P1-2046

**AUXILIARY PUMP DRIVE GROUP
CLARK TRANSMISSION / INTERMEDIATE DROP**

**PAGE
NUMBER** 24



ITEM	NUMBER	DESCRIPTION	REQD
1	7-126-225	BEARING	1
2	7-126-224	GEAR / IMPELLER HUB	1
3	7-126-223	O-RING	1
4	7-126-222	IMPELLER	1
5	7-126-221	LOCK TAB	4
6	7-126-220	SCREW	8
7	7-126-273	SPACER / BEARING	1
8	7-126-218	REACTION MEMBER	1
9	7-126-217	RETAINING RING	1
10	7-126-226	RETAINING RING	1
11	7-126-274	TURBINE HUB	1
12	7-126-275	TURBINE	1
13	7-126-276	RING / HUB	1
14	7-126-228	RING	1
15	7-126-229	BEARING	1
16	7-126-230	WASHER	1
17	7-126-231	O-RING	1
18	7-126-232	COVER / IMPELLER	1
19	7-126-236	SCREW & LOCKWASHER	24
20	7-126-226	RETAINING RING	1
21	7-126-233	O-RING	1
22	7-126-234	PLUG	1
23	7-126-277	RETAINING RING	1
24	7-126-278	SCREW	12

