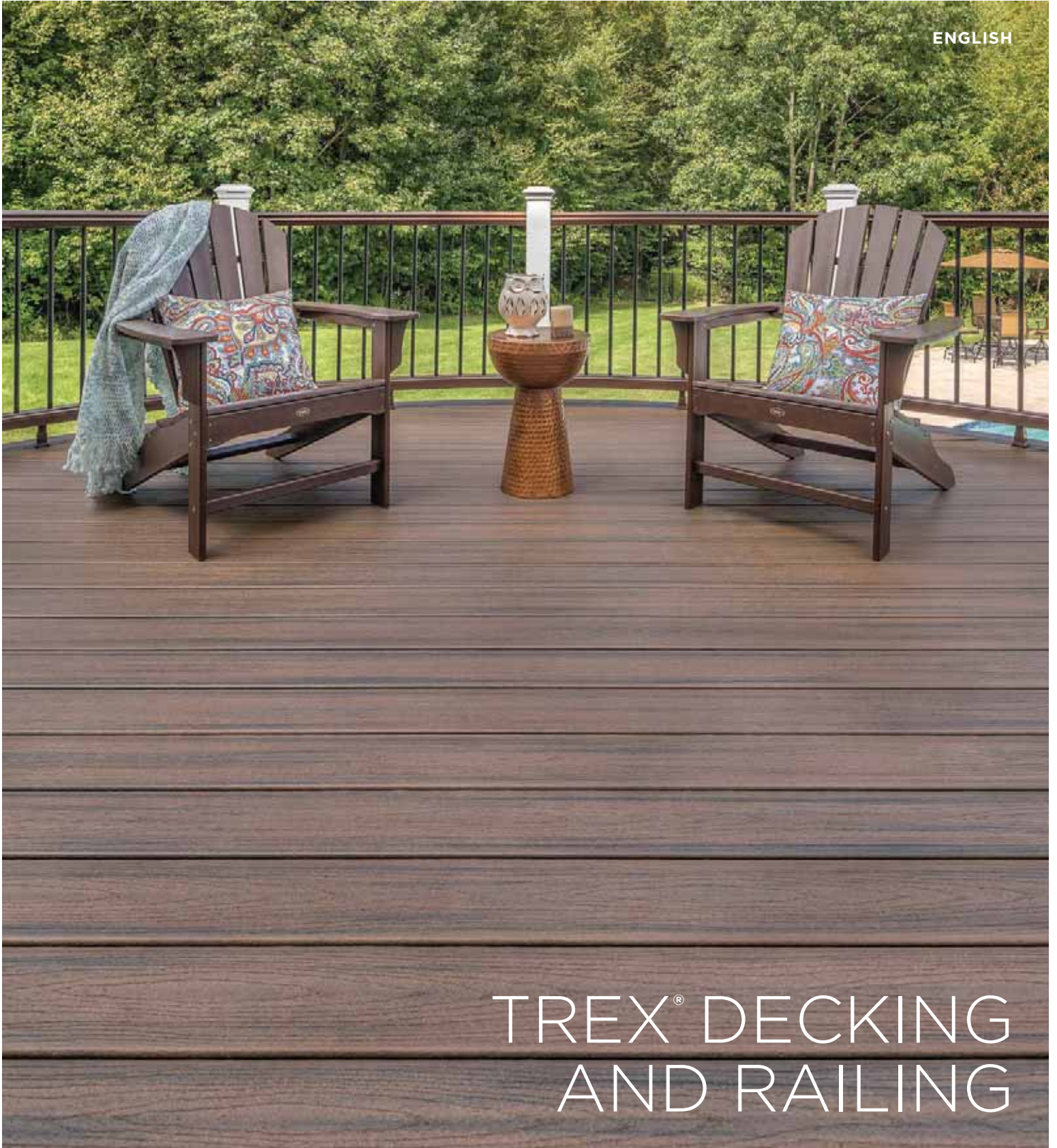




2016 INSTALLATION GUIDE

ENGLISH



TREX® DECKING AND RAILING

CHANGES FOR 2016 INSTALL GUIDE:

- » **Page 5** – Added new Trex Hideaway® Universal Fastener Collated System
- » **Page 6–7** – Care and Cleaning Guide: Added information about jobsite storage and how to clean hard water stains
- » **Page 11** – Planning Ahead: Included information about Trex® Outdoor Storage™
- » **Pages 14–16** – Trex® DeckLighting™: Removed 5A Transformer and replaced with 8.3A Transformer; Added additional warnings in regards to installation methods
- » **Page 13** – Trex Decklighting: Updated Helpful Tips section
- » **Pages 18–20** – Trex® LandscapeLighting™: Removed 5A Transformer and replaced with 8.3A Transformer; Added section for Trex Dimmer Remote Programming
- » **Page 17** – Trex Landscape Lighting: Updated Helpful Tips section
- » **Pages 21–24** – Added information about Trex Reveal® lighting
- » **Page 26** – Decking & Fascia Recommended Fasteners: Updated to add new decking and new fascia fasteners
- » **Page 27** – Trex Fascia® Installation Recommendations: Updated to provide more clarification
- » **Page 29** – Added new 2" screw recommendation when using 1 1/2" framing for Rooftop and Sleeper Deck Systems
- » **Page 32** – Stair Spanning changed on the Select product
- » **Pages 41–42** – Added information about Concrete Post Mounts
- » **Pages 43–50** – Added information about Joist Post Mount(s)
- » **Pages 56** – Trex Transcend® Railing: Included use of Select® decking board for Trex Transcend Cocktail Railing
- » **Pages 69–70** – Trex Reveal® Post: Removal of 2x2 post; Included IRC requirements if using Reveal Post
- » **Pages 93–94** – Trex Aluminum Gate: Included maximum gate width measurement
- » **Page 97–101** – Added information about Reveal panel installation

NEED HELP?

Trex provides a variety of valuable resources to answer your questions or concerns. For additional assistance, check out:

» **Trex.com**

Here you will find a wealth of useful information on Trex's extensive products including: installation, care and cleaning instructions and videos, technical help, and FAQs. You'll also find inspiring photos of deck projects, steps to help you plan and start your project, and tips for selecting the right deck builder. At **trex.com**, you can request information, register your warranty, and reach out to customer service representatives who can answer even more questions.

- » Call **1-800-BUY-TREX (1-800-289-8739)** and speak to a technical support representative who can answer your questions.
- » Email your question or concern to **question@trex.com** and we'll get back to you quickly.

Refer to **www.trex.com** for up-to-date installation and technical documents that may not be found in this printed guide.



This symbol indicates text continues to next page.

ON THE COVER

decking: Transcend in Spiced Rum

railing: Transcend in Vintage Lantern and Classic White
with round aluminum balusters in Charcoal Black

NOTE: Construction methods are always improving. Please refer to www.trex.com for the most up-to-date installation requirements.

TREX INSTALLATION GUIDE

CONTENTS

SECTION ONE: General Information

Safety	5
Tools	5
Care and Cleaning	6
Glossary of Terms	8

SECTION TWO: Planning Ahead

Trex Decking	10
Railing (Including ADA Handrail)	10
Trex Lighting	10
Trex® RainEscape® Drainage System.....	10
Installing Hot Tubs, Planters, and Seating.....	10
Installing Fireplaces and/or Fire Pits	10
Installing a Pergola.....	11
Installing Trex® Spiral Stairs™.....	11
Installing Trex® Outdoor Storage™.....	11
Special Patterns	11

SECTION THREE: Lighting

How to Install Trex® DeckLighting™

Parts List/Tools Needed.....	13
Lighting and Wiring Overview.....	13
Helpful Tips	13
General Information	14
Planning.....	14
Installing Wiring	14
Making Connections	14
Timer Operation Instructions.....	15
Installing Post Cap Lights	15
Installing Deck Rail Lights.....	15
Installing Riser Lights.....	16
Installing Recessed Deck Lights	16

How to Install Trex® LandscapeLighting™

Parts List/Tools Needed.....	17
Helpful Tips	17
How to Install Trex Well Light, Path Lights, and Multifunction Lights	18
How to Install Trex Spotlight.....	19
How to Program Dimmer Remote.....	20

How to Install Trex Reveal® Post Cap Light

Parts List/Tools Needed.....	21
Helpful Tips	21
Installing Post Cap Lights	21

How to Install Trex Reveal® Post Lamp

Parts List/Tools Needed.....	23
Helpful Tips	23
Installing Post Lamps.....	23

SECTION FOUR: Decking

Decking and Fascia Recommended Fasteners	26
Trex® Fascia Installation Recommendations.....	27
Framing and Fastening Tips	28
Dock Applications.....	28
Rooftop and Sleeper Deck Systems.....	29
Code Compliance.....	30

Gapping and Overhang.....	31
Stairs	32

How to Install Decking

Tips for Installing a Trex Hideaway® Hidden Fastening System (Stainless Steel or Universal).....	33
Installing Angled Deck Boards in Corners	33
How to Butt Seams.....	33
Routing Square Edged Boards.....	33
How to Install Trex Hideaway Universal Hidden Fasteners Parts List/Tools Needed	34
Installing Start Clips and First Board.....	34
Installing Universal Fasteners	34
Installing Second Board.....	34
Complete Installation.....	34
Installing Last Board	
Option 1: Using Fascia Board	34
Option 2: With Deck Board Overhang.....	35
Option 3: Face Screwing both Decking and Fascia...	35

How to Install Trex Escapes® Boards with Trex Hideaway Universal Fasteners	35
---	----

How to Replace Trex Boards Installed with Trex Hideaway Universal Fasteners	35
--	----

How to Install Stair Treads	36
Option 1: Face Screw	36
Option 2: Using 2x4 Wood Support Blocks.....	35

How to Install Trex Transcend® Porch Floorboards Parts List/Tools Needed	37
Installing Start Clips and First Porch Board	37
Installing Trex Hideaway Universal Hidden Fasteners ..	37
Installing Second Porch Board.....	37
Installing Last Porch Board	38
Option 1: Using Fascia Board	38
Option 2: With Porch Board Overhang	38

How to Install Porch Stair Treads	38
Option 1: Hidden Fasteners and Face Screwing	38
Option 2: Hidden Fasteners and 2x4 Foot Blocks	38

Location and Installation of Surface Mount Post – Decking.....	39
Parts List/Tools and Materials Needed	39

How to Install Post Mounts on Pressure-Treated Wood Framing	39
Corner Post Installation	39
Line Post Installation	40

How to Install Guide Blocks	40
How to Install Railing System of Choice	41

Location and Installation of Post Mounts – Concrete	41
Parts List/Tools Needed	41
Pre-drill Holes	41
How to Install Guide Blocks	42
How to Install Railing System of Choice	42

How to Install Joist Mount Posts Parts List/Tools Needed	43
Inside Mount	
Front Rim Plate – Between Joists	44
Front Rim Plate – Next to Joist.....	45
Side Joist	46

TREX INSTALLATION GUIDE
CONTENTS/CONTINUED

Joist Mount Post – Inside Mount/Continued
 Corner47
 Fascia Mount
 Front Rim Plate – Next to Joist..... 48
 Side Joist – With Blocking 49
 Outside Frame Corner..... 50

SECTION FIVE: Railing

Trex Transcend® Railing

Parts List/Determining Balusters Needed..... 52
 Trex Transcend Railing Configurations 53
 How to Install Standard Railing 54
 How to Install Cocktail Railing 56
 How to Install Traditional Railing.....57
 How to Install Round or Square Aluminum
 Balusters..... 58
 How to Install Standard Glass Panel Railing 59
 How to Install Cocktail Style Glass Panel Railing 60
 How to Install Traditional Style Glass Panel Railing 62
 How to Install On-An-Angle Railing 63
 How to Install Crown and Universal Bird's
 Mouth Railing 64
 How to Install Crown and Universal Stair Railing 65

Trex Reveal® Railing

Parts List/Determining Balusters Needed..... 68
 Installing Standard Reveal Posts and/or Reveal
 Crossover Posts on Decking or Concrete 69
 Installing Pressure-Treated Post, Post Sleeves,
 and Skirts to Use with Reveal Railing 70
 Installing Reveal Posts on Concrete 70
 Bracket Hardware – Horizontal Applications 71
 How to Install Horizontal Railing72
 How to Install Horizontal Swivel Brackets.....78
 How to Install Horizontal Swivel Railing79
 How to Install Foot Blocks – Horizontal Railing..... 81
 Bracket Hardware – Stair Applications 82
 How to Install Reveal Stair Posts and Stair Railing..... 84
 Attaching Stair Brackets (Fixed Stair, Stair Swivel,
 and Compound Swivel) to Reveal Posts and
 Pressure-Treated Posts and Post Sleeves 85
 How to Install Aluminum Gate..... 93

Trex Reveal® Panels

Parts List/Tools Needed..... 95
 Bracket Hardware – Horizontal Applications 96
 How to Install Panels97
 How to Install Foot Blocks..... 101

Trex Select® Railing

Parts List/Determining Balusters Needed.....102
 How to Install Trex Select Railing103
 How to Install Trex 45° Adaptor – Horizontal
 Applications Only.....106
 How to Install Trex Select Stair Railing107

Trex Aluminum ADA Compliant Handrail

ADA Handrail Guidelines..... 110
 ADA Railing Profiles.....111

How to Install Trex Aluminum ADA Compliant
 Handrail 112
 90° Wall Return..... 112
 Wall Mount..... 112
 Rail-to-Rail Connections/Internal Connector 112
 Elbows (90°, 36°, 34°, 31°, 5°) 113
 Handrail Return 180°..... 113
 Corner Mount..... 113

SECTION SIX: Warranties

Trex Transcend®, Trex Enhance®, Trex Select®, and Trex®
 Universal Fascia Limited Fade & Stain Warranty 115
 Trex® Limited Warranty117
 Trex Reveal® Railing Limited Warranty..... 118

Color Palette Inside Back Cover

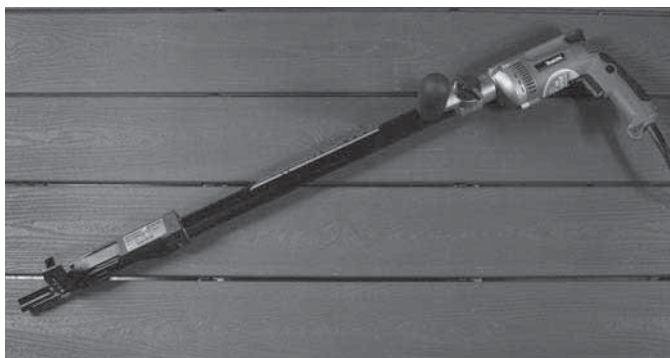
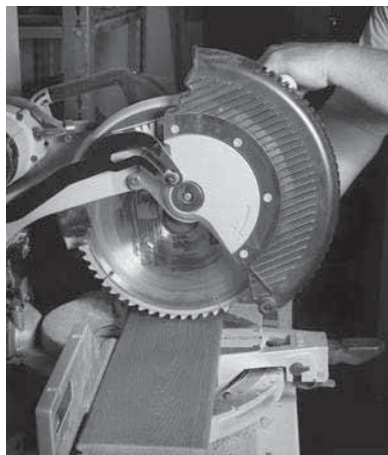
SAFETY

When working on any construction project, you should wear protective clothing and safety equipment. Wear safety glasses, gloves, a dust mask and long sleeves, particularly when cutting in confined spaces.

TOOLS

You can create intricate shapes, profiles, and patterns with Trex. Most installments require no special tools. For best results, use carbide-tipped blades and router bits.

When using a miter saw, we recommend using the Trex Blade™*. This comes in 3 different sizes and is ideal for cutting all our decking and railing products (these are not recommended for cutting Trex Elevations®). Refer to www.trex.com for more information.

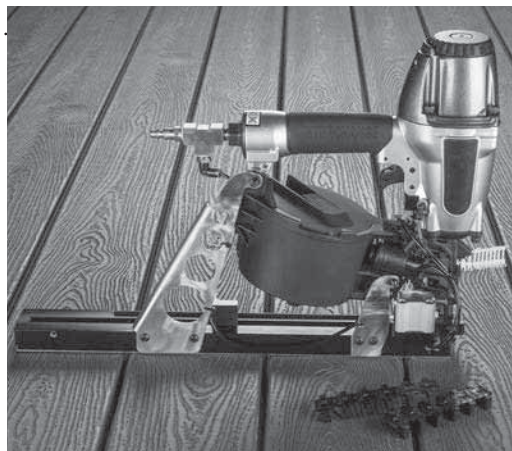


Install Trex recommended fasteners with standard power drills or approved screw guns.



*Trex Blade™ is manufactured and sold by Freud Tools, Inc. under a Trademark License Agreement with Trex Company, Inc.

Trex decking and railing are heavier and more flexible than wood. **DO NOT** try to lift the same quantity of Trex boards as you would traditional lumber. Go to www.trex.com for Safety Data Sheets (SDS).

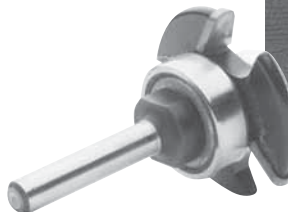
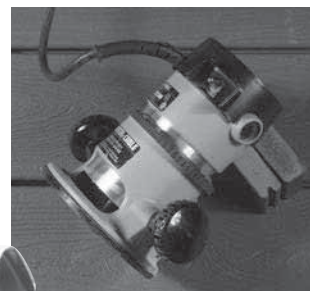


The Trex Hideaway® Universal Fastener Collated Clip System is designed specifically to work with the Trex Hideaway Universal Hidden Fastener. This will dramatically decrease the time it takes to install Trex decking. The kit includes 450 hidden fasteners and collated screws.

If your choice is to use the metal Trex Hideaway Hidden Fasteners, using the pneumatic gun by TigerClaw®* is a terrific option. This will allow for a quicker install time. Trex Gun Pail includes 900-count connector clips and TC-SG collated pneumatic screws.



Trex routs beautifully to give extremely crisp edges. The groove cutter/router bit is used with the Trex Hideaway fastening system.



⚠ CAUTION

DO NOT rout balusters. Routing will change the surface of Trex products.

*Tiger Claw® is a registered trademark of Tiger Claw, Inc.

TREX TRANSCEND[®], TREX ENHANCE[®], AND TREX SELECT[®] CARE AND CLEANING GUIDE

All exterior building materials require cleaning. Generally, soap and water is all that is required to clean Transcend, Enhance, and Select products. *For further information, see below.*

PROBLEM	SOLUTION
Dirt and Debris	The affected area should be sprayed off with a hose to remove surface debris. Use warm soapy water and a soft bristle brush to remove dirt and debris from the embossing pattern.
Hard Water Staining	Hard water is water with a high amount of mineral deposits like lime, silica and calcium. When the water dries, deposits are left behind, leaving unsightly spots on surfaces. This is not a defect of Trex products but an issue with the water itself. Generally these deposits can be cleaned with white vinegar on decking surfaces or use of Magic Eraser [®] on railing surfaces. Rinsing is required so care should be taken to not use hard water for this purpose, and if it must be used, dry with a cloth or use a blower to dry surfaces.
Chalk Lines	Most colored chinks are permanent and may discolor the surface. Use only Irwin Strait-Line [®] * Dust-Off Marking Chalk (purple), available at Irwin.com
Tannins Due to Debris	Remove all debris from the deck using a hose or broom. Once the deck surface is dry, apply a deck "brightener"*** to the deck as directed by the manufacturer. Deck Brighteners contain oxalic acid, which will also remove tannins.
Ice and Snow	A plastic shovel may be used to remove snow from the deck. Use calcium chloride or rock salt to melt the snow and ice from the deck surface.
Oil, Grease, and Food	All food spills should be removed as soon as possible. The surface must be cleaned within seven days to maintain the stain warranty. To remove, spray off with a hose and use warm, soapy water and a soft bristle brush to remove spills from the embossing pattern.
Mold and Mildew	If debris such as pollen and dirt is allowed to remain on the deck surface, mold can feed on the biofilm. Using a hose and warm, soapy water with a soft bristle brush is recommended to remove the food source and mold.
Using a Pressure Washer (Concrete, Stucco, or Ground-in Construction Dirt)	A pressure washer with no greater than 3100 psi*** that has a fan attachment/adjustment and soap dispenser may be used to remove dirt, concrete dust, or other types of construction dirt. Spray deck with soap, then follow by gently scrubbing each deck board with a soft bristle brush. Spray/rinse each individual deck board using a fan tip no closer than 8-in (203 mm) from the decking surface. RINSE THOROUGHLY. If dirty water from cleaning is left to dry, this will cause a film to remain on the decking surface.
Maintaining Transcend and Select Railing	NEVER use acetone or other solvents on Trex Transcend or Select railing to maintain the beauty of the surface. For color transfer issues (from attachment of baluster spacer), use Mr. Clean [®] Magic Eraser [®] Original or Magic Eraser [®] Extra Power**** to help remove this. For small surface scratches, marks, or scuffs, use Dupli-Color Scratch Seal™ Clear Sealer Pen.*****



TREX TRANSCEND®, TREX ENHANCE®, AND TREX SELECT® CARE AND CLEANING GUIDE/CONTINUED

PROBLEM	SOLUTION
Job Site Storage	<p>Store decking on a flat level surface, and ALWAYS use proper supports (dunnage). DO NOT store directly on the ground. When stacking decking bundles, supports (dunnage) should start approximately 8-in (203 mm) from each end and be spaced approximately 2-ft (0.61m) on center. In addition, supports (dunnage) should line up vertically/perpendicular to the decking product. Adjust support blocks (dunnage) accordingly if bundles are loose. For Select decking, 1x12 and 1x8 products, the maximum stack height is 12 bundles. For all other decking products maximum stack height is 14 bundles (IMPORTANT TO NOTE THAT PROPER DUNNAGE SPACING MUST BE IN PLACE FOR THESE HEIGHTS). When stacking multiple bundles, ensure that dunnage lines up vertically down through each stack. ALWAYS cover decking products on site until ready to be installed.</p>

*Strait-Line® is a registered trademark of Irwin Industrial Tool Company.

**Use of products containing bleach or acid will lighten the surface of Trex. Use in an inconspicuous area to determine whether you like the effect. Neither product will affect the structural integrity of Trex.

***Use of a pressure washer greater than 3100 psi could damage the boards and void the warranty.

****Mr. Clean® and Magic Eraser® are registered trademarks of The Procter and Gamble Company.

*****Scratch Seal™ Clear Sealer Pen is a registered trademark of Dupli-Color Products Company.

NOTES:

- » Refer to www.trex.com to view a general care and cleaning video for Transcend, Enhance, and Select decking.
- » Refer to www.trex.com for a care and cleaning guide for Trex Early-Generation Composite and PVC Decking.

TREX REVEAL® RAILING CARE AND CLEANING GUIDE

Maintaining the appearance of your Trex Reveal railing is important. The occasional wash is recommended as over time your Reveal railing may show signs of weathering as a result of exposure to the elements. The frequency of cleaning will depend on the environment and exposure to various types of elements.

For installations where the atmosphere is influenced by bodies of salt water or other contaminant conditions, cleaning is required every 6 to 9 months. Failure to adhere to the required cleaning guidelines will void the Trex Limited Warranty with respect to any condition resulting from such failure. For purposes of any warranty claim, you should retain documentation of the cleaning date, cleaning method used, brand and amount of chemical used, and invoice from cleaning company (or a receipt for chemicals used).

Regular cleaning may minimize the effects of weathering and remove dirt, grime and other build-up. The best method of maintaining the appearance of your Reveal railing is to occasionally wash it using a solution of warm water and a non-abrasive, pH neutral detergent solution. The railing surface should be thoroughly rinsed after cleaning to remove all residues. Use a soft white cloth, sponge or a soft bristle brush.

DO NOT clean Trex Reveal railing with solvents such as thinners or solutions containing chlorinated hydrocarbons, esters or ketones.

The following cleaners are recommended for cleaning Trex Reveal railing:

- » Formula 409® Cleaner Degreaser/Disinfectant*
- » Spray Nine® Cleaner/Disinfectant**
- » Simple Green® All Purpose Cleaner***
- » Fantastik® All Purpose Cleaner****
- » Windex® Cleaner*****

*Formula 409® Cleaner Degreaser/Disinfectant is a trademark of Clorox Company.

**Spray Nine® All Purpose Cleaner/Disinfectant is a trademark of Illinois Tool Works Inc.

***Simple Green® All Purpose Cleaner is a trademark of Sunshine Makers Inc.

****Fantastik® All Purpose Cleaner is a trademark of SC Johnson & Son Inc.

*****Windex® is a trademark of SC Johnson & Son Inc.

GLOSSARY OF TERMS

PVC High Performance Composite	Trex Escapes Trex Transcend, Trex Enhance, Trex Select
.....	
Baluster	One of a number of closely spaced supports for a railing.
Baluster Spacer	A piece that snaps into top and bottom rail that gives precise spacing to the balusters.
Bird's Mouth Gasket	A 45° corner cut gasket to be used when attaching railing to the corner of a 4x4 post sleeve.
Bump Stop Tab	Part of the connector clip and allows for 1/4" (6 mm) spacing between decking boards.
Carriage Bolt	A bolt with a rounded head and a square shoulder under the head to prevent turning during installation.
Connector Clip	Hidden fastener used between deck boards to secure positioning.
Fascia	Horizontal trim board used to cover rim and end joists. May also be used for stair risers.
Foot Block	Provides support for the bottom rail and gives a finished appearance.
Joist	A horizontal structural pressure-treated board that runs from wall-to-wall, wall-to-beam, or beam-to-beam to support the deck floor and decking materials.
Lag Bolt	A large metal fastener with a hex head and screw threads that drive it into the wood.
Ledger Board	A beam supporting one end of the joists.
Nosing	The rounded front edge of a stair tread.
Pan-head Screw	Self-tapping screw with W-cut design and slightly rounded head.
Pergola	A horizontal trellis or framework, supported on round or square posts, that can carry climbing plants and provides limited cover from sunshine. It may form a covered walk.
Post Sleeve	Formed sleeve that fits over a standard pressure-treated 4x4 post.
Post Sleeve Cap	Attractive flat or pyramid shaped cap to place on top of post sleeve.
Post Sleeve Skirt	Decorative skirt that surrounds the bottom of the post and rests on surface of deck.
Rail Gasket	A gasket used to fill the gap between the railing and post.
Rail Light	Light that attaches to side of post sleeve.
Rail Support Bracket (RSB)	Innovative bracket designed for horizontal, angled, and stair railing installations.
Recessed Light	Light that is recessed so it sets flush with decking surface.
Rim Joist	A joist on either side or the end of the deck. May have stairs attached and typically opposite of the ledger board.
Riser	The vertical board nailed to a stringer.
Riser Light	Light that attaches to stair riser.
Scarf Cut	A joint used to join two pieces of decking end-to-end, usually cut at a 45° angle.
Screw Plug	A small plug to cover a screw.
Self-tapping Screw	A fastener that taps and drills its own hole and does not require a pre-drilled hole.
Shim	A wedge that is placed between two surfaces to fill in the gap.
Stair Tread	Steps or stairway boards that are the steps.
Start Clip	Metal clips used at the end of decking boards to secure them in position.
Stringer	The structural member in a stairway that supports the treads and risers.
Tempered Glass	A safety glass that is four to five times stronger than standard glass made by a process of extreme heating and cooling.
Universal Fastener	Plastic 1/4" (6 mm) self-gapping hidden fastener that has increased durability and allows for easier and faster installation than traditional fasteners.
Weather Stripping	A self-adhesive strip applied to the glass panel option to create a tight fit with top and bottom rails.



Bump Stop Tab

A black and white photograph of a stone wall with wooden railings. The wall is made of large, irregular stones. The railings are made of dark wood and run horizontally across the frame. Small, round lights are embedded in the wall between the railings. In the background, there is a window with a plant in front of it and two lanterns on a ledge.

PLANNING AHEAD

PLANNING AHEAD

Trex Decking:

- » When installing any Trex decking product, especially Trex Transcend tropics, it is a good idea to mix and match all of the boards on the job site prior to installation to ensure an appealing mix of light and dark tones.
- » **DO NOT** combine Trex Select decking with other Trex decking products. Trex Select boards are thinner than Transcend and Enhance boards.

Railing (Including ADA Handrail):

- » First, pick the railing style you want.
- » Calculate your spanning based on the railing you chose.
- » Determine the number of balusters you will need based on the railing you choose. See pages 52, 68, 102, and 110.

NOTE: Trex Transcend and Select railings are made to be installed at maximum of 6' (1.83 m) or 8' (2.44 m) on center (depending upon type of railing you choose). Trex railings are not true 6' (72") or 8' (96") in length. Trex Reveal railings are made to be installed at maximum 6' or 8' CLEAR SPAN BETWEEN POSTS.

- » Determine post locations prior to installing any decking. In most cases, posts are usually installed before decking is installed.
- » Confirm with your local building official if ADA Handrail is required, and if so plan spanning for posts accordingly to allow for attachment of Trex ADA Handrail. ADA Handrail requires a span of 6' OC for posts.
- » Grill placement: A good recommendation to help prevent damage to your railing is to not have a grill too close to your railing. Allow for ample airspace between the back/sides of your grill to help prevent charring or staining to the railing.

See pages 52–67 for Transcend railing installation, pages 68–101 for Reveal railing installation, pages 102–109 for Select railing installation, and pages 110–113 for ADA Handrail installation.

Trex Lighting:

- » Plan locations of lights, power supply, timer, and dimmer. These should be accessible for service if necessary.
- » Install wiring before decking and railing have been installed.
- » **DO NOT** run wires between joists and deck boards.

See pages 12–24 for Trex OutdoorLighting™ installation.

Trex® RainEscape® Deck Drainage System:

- » Plan ahead for deck layout to allow for proper placement of Trex RainEscape within the joist system.
- » Make sure joists are straight and square.

See www.trex.com for more information on Trex RainEscape recommendations and installation. Trex RainEscape is manufactured and distributed by Dri-Deck Enterprises, LLC, under a trademark license with Trex Company, Inc.

Installing Hot Tubs, Planters, and Seating:

- » Plan ahead proper joist spanning if required (this is especially important if installing a hot tub).
- » Refer to page 30 for Trex Decking Span Chart for specific loads.

Call 1-800-BUY-TREX for detailed questions.

Installing Fireplaces and/or Fire Pits With Trex Decking:



- » Determine if fire will be gas or wood burning (**NOTE: Most fire pits shown in Trex images are gas burning**).
- » For gas, the fire pit is installed by cutting around the Trex decking. **It is not to be installed on top of Trex decking.** A fire-resistant material is installed under the fire pit and a protective “wall” made from stone or other fire-resistant material is installed to hold fire pit in place and also protect the decking from heat.
- » For wood, fire pits are not recommended on top of Trex decking unless using a product called DeckProtect®*. Wood-burning fire pits can damage the decking due to extreme heat from the bottom of the fire pit and/or burning embers “shooting” onto the decking. DeckProtect® was tested on all Trex decking and there were no issues with burning of the decking surface when placed directly under a standard size portable fire pit along with the accompanying rack (**NOTE: Rack is not available for all sizes, so check with manufacturer first for verification**). Trex does recommend that the

*DeckProtect® is a registered trademark of Infinite Heat Solutions.

PLANNING AHEAD/CONTINUED

DeckProtect® padding/rack be moved from time to time for general cleaning underneath. It should be noted that even when using DeckProtect®, burning embers could “shoot” beyond the protective mat and burn the deck.

For more information about this product, please visit their website at www.deckprotect.net or call 1-800-BUY-TREX. DeckProtect® is a registered trademark of Infinite Heat Solutions.



Installing a Pergola on Trex Decking:

- » Keep in mind if you are planning to install a Trex® Pergola™ on your deck, you will need access to the underside of the deck. Trex Pergola mounts with a 10" x 10" (254 mm x 254 mm) aluminum plate on the

underside of the deck, creating a clamping effect on both the top and bottom of the deck for maximum strength. If installed, water barriers and any under deck coverings will have to be removed to properly install the pergola posts.

- » You need to consider the location of your pergola posts in respect to joists. However, you do not have to mount your plates between joists. It is possible to place blocks on the bottom of the joists and mount the Trex Pergola brackets through the blocks.

Trex® Pergola™ products are manufactured and sold by Home & Leisure, Inc., d/b/a/ Structureworks Fabrication under a Trademark License Agreement with Trex Company, Inc. A 25-year Limited Warranty is provided by manufacturer.

Installing Trex® Spiral Stairs™:

- » Refer to www.trexspiralstairs.com for detailed information on how to plan and install Trex Spiral Stairs.

Trex® Spiral Stairs™ are manufactured and sold by M. Cohen and Sons, Inc., d/b/a The Iron Shop, under a Trademark License Agreement with Trex Company, Inc. A 25-year Limited Warranty is provided by manufacturer.

Installing Trex® Outdoor Storage™:

- » Refer to www.trexoutdoorstorage.com for detailed information on how to install Trex Outdoor Storage products.

Trex® Outdoor Storage™ products are manufactured and sold by NatureKast, LLC., under a Trademark License Agreement with Trex Company, Inc. A 25-year Limited Residential Warranty is provided by manufacturer.

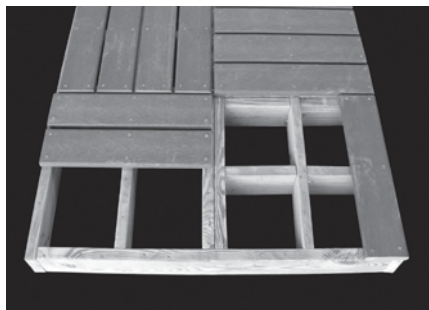
NOTE: You can always reference the Design Tools Section on www.trex.com for additional planning ahead aids.

Special Patterns

When planning a unique pattern, you will need to adjust the framing to support the surface pattern. Refer to the span and gapping charts on pages 30–31. Many decks are designed to take advantage of angles, as shown below.



Herringbone Pattern



Tile Pattern



Picture Frame Pattern

NOTE: Construction methods are always improving. Please refer to www.trex.com for the most up-to-date installation requirements.

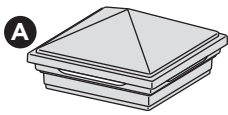
LIGHTING

LIGHTING

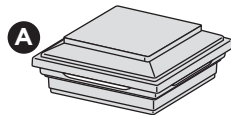


HOW TO INSTALL TREX DECKLIGHTING

PARTS



Pyramid Post Cap Light



Flat Post Cap Light



Deck Rail Light x2



Riser Light



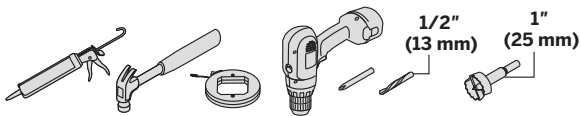
Recessed Deck Light



Splitter x2

- » 5ft, 10ft, 20ft, 40ft, and 60ft connection/extension wires sold separately (these are male-to-male connection wires).

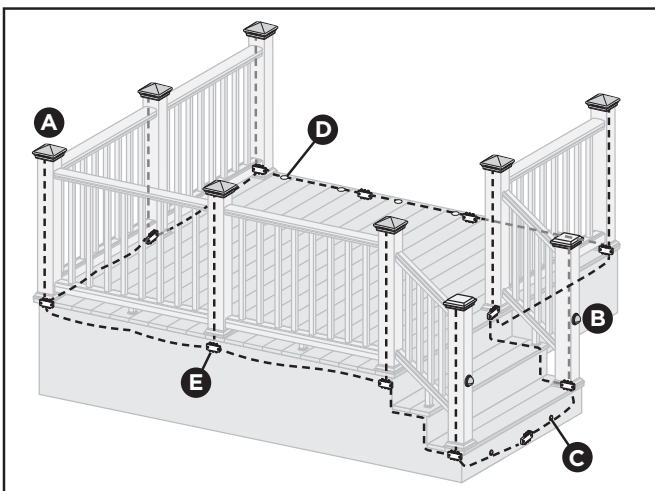
TOOLS NEEDED



WARNING:

- » **DO NOT INSTALL DECKLIGHTING IN CLOSE PROXIMITY TO POOLS OR HOT TUBS AS CHEMICALS FROM THE WATER CAN DAMAGE LIGHTING FIXTURES.**
- » **DO NOT INSTALL WIRING UNDER HEAVY WEIGHT OR LOAD AS THIS CAN DAMAGE WIRING.**

Lighting and Wiring Overview



NOTE: All wiring and splitters are mounted to inside of framing, picture is just representation of where to place these in general.

NOTE: Avoid railing brackets and locations for deck rail lights when running wires up posts.

NOTE: It is recommended to install wiring and splitters before decking and railing have been installed. **DO NOT** run wires between joists and deck boards.

HELPFUL TIPS

- » Please note that Trex lighting operates on DC power. **NEVER** mix AC and DC fixtures on the same circuit. Doing so will result in extremely premature fixture failure and is not covered by the Trex limited warranty. **You must use a Trex transformer on all Trex lighting installations.**
- » Leave slack in wire to make fixture terminations.
- » Recessed lights work well spaced 4' (1.22 m) to 6' (1.83 m) on center around perimeter of deck.
- » Deck rail lights work well at changes in levels of a deck—at the top or the bottom of the stairs, or in conjunction with post cap lights.
- » Recommended riser light placement is two lights per standard width tread. Otherwise, spacing of 2' to 3' is considered optimal.
- » Drill holes perpendicular to the surface, being careful to hold drill steady, to avoid producing an enlarged hole. If hole is enlarged, light fixture will have a loose fit. Use of a flexible outdoor semi-permanent adhesive (silicone caulk) may be required to anchor light in place.
- » Riser and deck rail light holes can be through holes. However, recessed light holes should be drilled to a depth of 3/4" (19 mm). Over-drilled recessed light holes will require use of silicone caulk to anchor light in place.
- » Splitters should be placed under the deck at the base of each post that has lighting installed. If not installing lighting on posts, splitter spacing will be dependent on spacing of light fixtures.
- » Cap all unused female connections with caps provided or weather-resistant silicone to prevent water damage or corrosion.
- » The splitter is cross-linked so there is no specified plug for lights versus lead wires.
- » Leads attached to each light are approx. 5' 6" (1.5 m to 1.8 m) in length and have male terminals to plug into splitter.
- » Use a separate dimmer control for each light type for maximum control (5-way transformer splitter may be required).
- » It is recommended to have power source installed and turned on when installing lights to ensure all components work.
- » When installing wiring, avoid extreme angles, pressure, or tension on the wiring, as this can cause pinching of the wiring and create a lighting failure.

HOW TO INSTALL TREX DECKLIGHTING/CONTINUED

General Information

- » Refer to www.trex.com for instructional videos on how to install Trex Decklighting.
- » **USE TREX TRANSFORMER ONLY.** Use of any other transformer voids warranty.

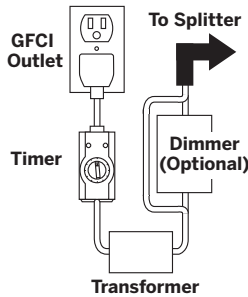
TRANSFORMER CAPACITY BY TYPE		
Type of Light	8.3A Transformer (83 DL TRANSFORMER)	2.5A Transformer (2.5 DL TRANSFORMER)
Riser	285	90
Recessed	285	90
Post Cap	85	22
Deck Rail	285	90

Above listing is for maximum number of each individual types of lights. If mixing and matching lighting, contact Trex to determine if more than one transformer is required.

Planning

NOTE: When designing your deck, plan locations of lights, power supply, timer, and dimmer. These should be accessible for service. Installing a GFCI outlet is **REQUIRED** to help prevent damage to lighting from electrical surges.

1. The dimmer remote will work in a 30' (9 m) radius of the unit.
2. Dimmer should be installed in a dry location.
3. Timer must be installed vertically with receptacle facing downwards. Timer must be at least 1' (.305 m) from ground level when installed as per federal safety code height regulations. Timer must be in view of the sun to use the dusk/dawn feature.

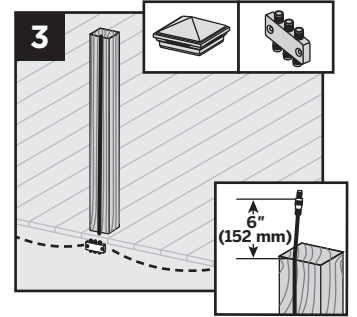
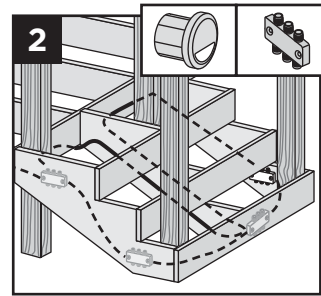
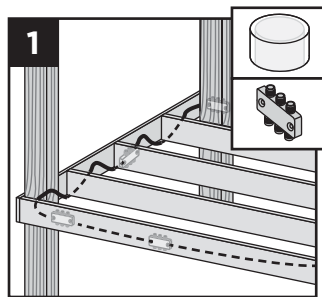


Installing Wiring

NOTE: It is recommended to install wiring and splitters before decking and railing have been installed.

- » Use male-to-male connection wire (lengths vary) that will connect to each required splitter.

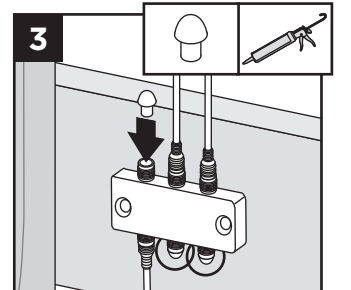
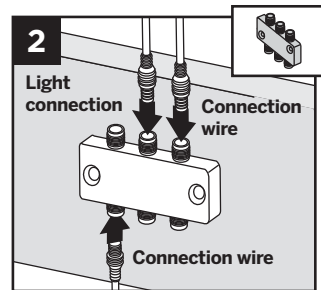
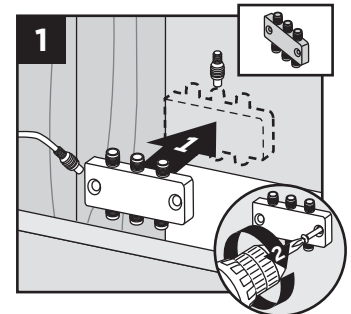
1. Wiring must be run under decking structure and behind stringers. **DO NOT** run wires between deck boards and joists. Staple to frame with cable staples at least 1/4" (6 mm) wide. **DO NOT** crush wire insulation with staple.



2. Wiring can be run under deck and behind risers. Staple to frame with cable staples at least 1/4" (6 mm) wide. **DO NOT** crush wire insulation with staple.
3. Remove 5' (1.52 m) lead wire that is connected to post cap and attach wire to post with male connection at top of post (female connection would be at bottom of post and connect into splitter). Avoid running wire on side of post where railing brackets or deck rail lights will be installed. Leave approximately 6" (152 mm) of lead at top to make connections. Staple to frame and posts with cable staples at least 1/4" (6 mm) wide. **DO NOT** crush wire insulation with staple.

Making Connections

1. Install splitters inside of framing using hardware provided. Install at every post base where lighting is present and depending on spacing in between each riser and recessed light.



2. Attach male lead from lights to female connections on splitter. Also attach male-to-male connection wires in between each splitter. Continue until all wiring from lights are attached to splitters and connector wires are attached in between splitters.
3. Cap off all unused female connections on splitters using caps provided or weather-resistant silicone.

HOW TO INSTALL TREX DECKLIGHTING/CONTINUED

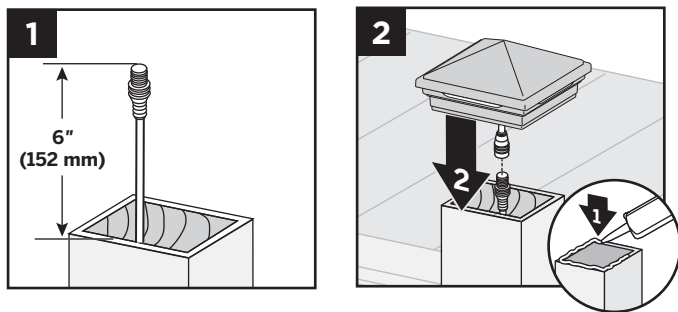
Timer Operation Instructions

1. Select the mode of operation:
 - » Dusk to Dawn
 - » 2–8 hours
 - » Always “ON”
 - » “OFF”

Program repeats daily. When power is flowing to lights, green light above POWER is on.

Installing Post Cap Lights

NOTE: Install post cap lights after the railing system, post sleeve skirt, and post sleeve have been installed.

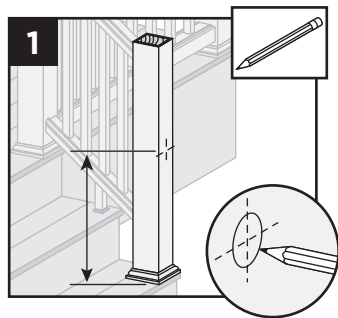


1. Connect male lead from wiring to female connector from cap. Also attach male-to-male connection wires in between each splitter. Continue until all wiring from lights are attached to splitters as well as connector wires are attached in between splitters. (See *Making Connections* section for details.)
2. After verifying wiring is correct by turning lights on, attach cap to top of post with silicone caulk.

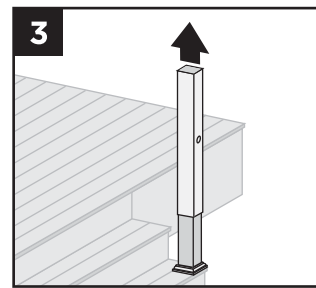
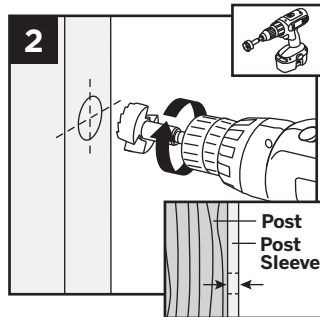
Installing Deck Rail Lights

NOTE: Instructions shown below are for new deck installation and are shown **BEFORE** railing system has been installed.

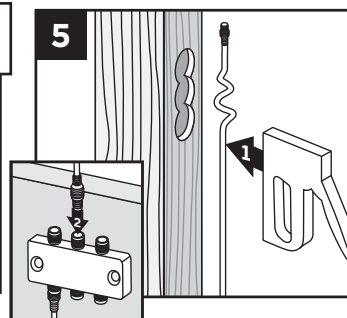
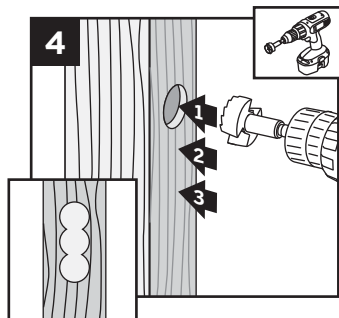
1. Place post sleeve over pressure-treated post and mark desired height, centered on post sleeve for deck rail light location.



NOTE: If deck boards are not installed yet, place a deck board on framing to ensure post sleeve is at correct height.

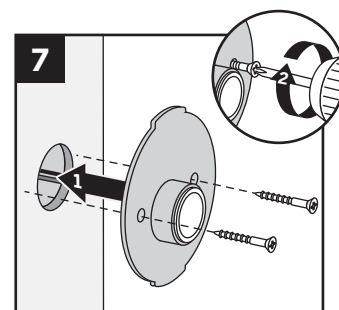
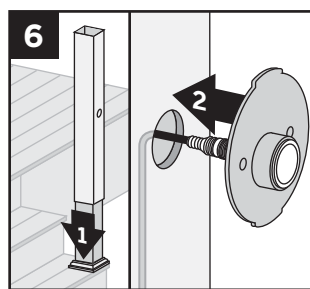


2. Drill a 1" (25 mm) hole through post sleeve. Drill deep enough to mark location on pressure treated post.
3. Remove the post sleeve from the post.



4. Drill out existing hole on pressure-treated post 3/4" (19 mm) deep. Drill two additional holes vertically below main hole—this will allow space for wiring after post sleeve is attached.
5. Leave enough slack at top of lead wire and attach lead wire to post using staples. Attach lead wire to splitter under decking.

TIP: To hold lead wire in place at drilled out location use painters tape.

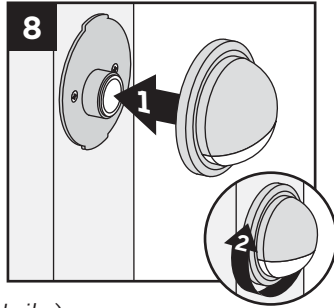


6. Slide post sleeve back over post. If using a post sleeve skirt, make sure to install the skirt first. Connect plug on deck rail light to lead wire and tuck wiring into previously drilled out pockets on post.
7. Align holes for screws horizontally and attach fixture base to post with provided screws.



HOW TO INSTALL TREX DECKLIGHTING/CONTINUED

8. Line up polycarbonate lens with fixture housing. Twist onto fixture base. Continue until all wiring from lights are attached to splitters as well as connector wires are attached in between splitters. (See *Making Connections* section for details.)

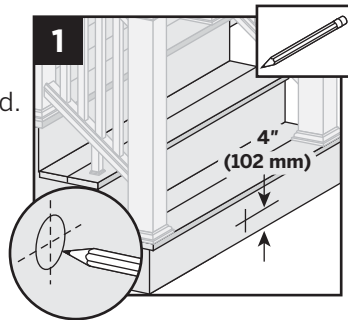


NOTE: If railing has already been installed, lead wires will need to be fished through the post sleeve to reach the desired location for the deck rail light. In some cases if the provided lead wire does not fit (due to connector size), the wire connectors can be cut off and wire nuts can be used. Test lights with the power on. If lights that are wired with this method do not function, then switch the connector wires.

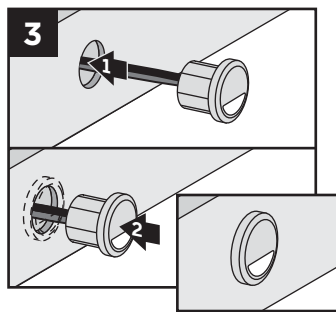
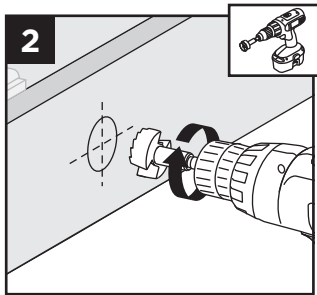
Installing Riser Lights

NOTE: Install riser lights after stairs and risers have been installed.

1. Mark locations for each light, generally 4" (102 mm) above tread. Consult local codes for lighting requirements.



NOTE: If possible, avoid locations over stringers as holes will be more difficult to create.



2. Drill a 1" (25 mm) diameter hole at least 1" (25 mm) deep into riser. If riser material is thicker than 1" (25 mm), use a 1/2" (13 mm) drill bit to create a passage for wires.
3. Thread wires through hole. Press light into hole, ensuring lens is horizontal. Make connections behind stairs from male lead wire from recessed light into female connection on splitter. Also attach male-to-male connection wires in between each splitter. Continue until all wiring from lights are attached to splitters and

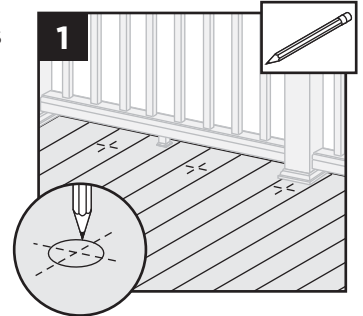
connector wires are attached in between splitters. (See *Making Connections* section for details.)

NOTE: DO NOT install riser light or deck rail light into top or bottom rails or balusters.

Installing Recessed Deck Lights

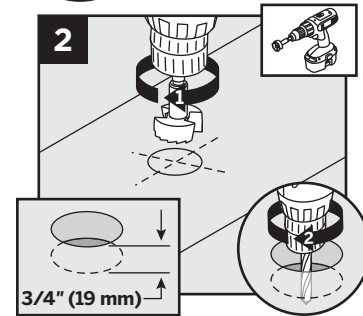
NOTE: Install recessed deck lights after installing decking.

1. Mark locations for lights in deck boards.

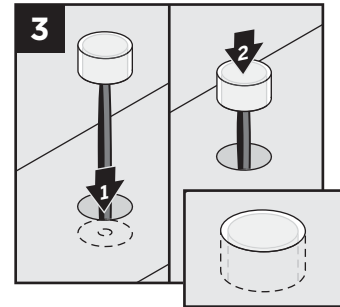


NOTE: If possible, avoid locations over joists as holes will be more difficult to create.

2. Drill a 1" (25 mm) diameter hole 3/4" (19 mm) deep into deck board. Hole cannot go all the way through deckboard or light will fall through. Make sure drill bit is perpendicular to board. Drill a 1/2" (13 mm) diameter hole in base of the first hole through deck board.

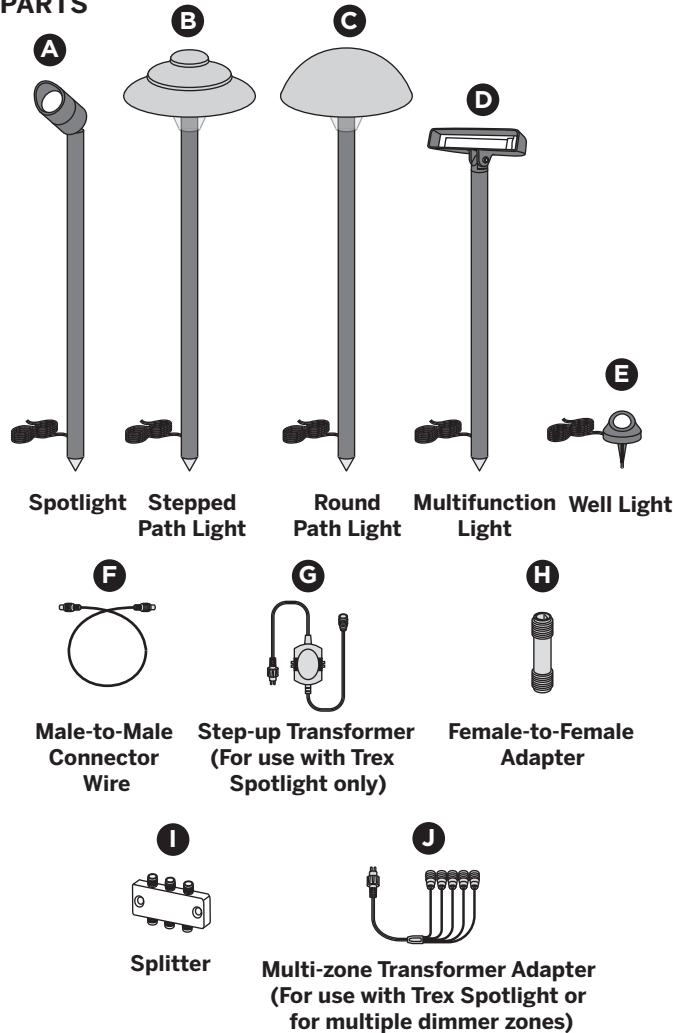


3. Thread wires through hole. **DO NOT pull LED into hole by pulling on wires. This may damage wires or LED.** Press light into hole until flush with surface. Make connections under deck from male lead wire from riser light into female connection on splitter. Also attach male-to-male connection wires in between each splitter. Continue until all wiring from lights are attached to splitters and connector wires are attached in between splitters. (See *Making Connections* section for details.)

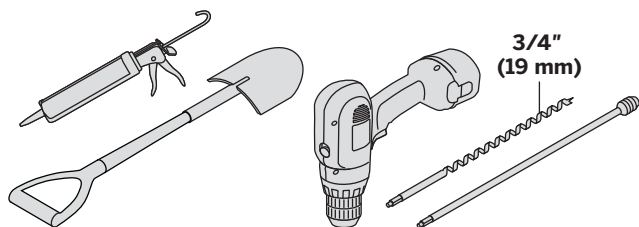


HOW TO INSTALL TREX LANDSCAPE LIGHTING

PARTS



TOOLS NEEDED



WARNING:
BEFORE ANY TREX LANDSCAPE LIGHTING IS INSTALLED, IT IS THE INSTALLERS RESPONSIBILITY TO ENSURE THAT ALL UNDERGROUND UTILITIES/LINES ARE LOCATED (GAS LINES, ELECTRICAL LINES, DATA LINES, WATER LINES, ETC.) PRIOR TO ANY WORK BEING DONE.

HELPFUL TIPS

- » Location of Trex Landscape lighting is up to customer as to where they would like lighting components placed. Different length of lead wires can be purchased depending on the distances between lights.
- » Please note that Trex lighting operates on DC power. **NEVER** mix AC and DC fixtures on the same circuit. Doing so will result in extremely premature fixture failure and is not covered by the Trex limited warranty. **You must use a Trex transformer on all Trex lighting installations.**
- » Leave slack in wire to make fixture terminations. Keep in mind slack will also be required to properly bury wire.
- » Trex Landscape wires are approved for underground use. Wire is made from silver-coated copper.
- » Trex Landscape Lights will require the use of a female-to-female adaptor to connect light to male connector wire (this adaptor is included with each fixture and is also sold separately).
- » All Trex Landscape lights use male-to-male connector wires, sold in lengths of 5' (1.52 m), 10' (3.05 m), 20' (6.1 m), 40' (12.2 m), and 60' (18.3 m) (*sold separately*).
- » All lights EXCEPT the spotlight can be wired together on a circuit.
- » **Trex Spotlights require different wiring configurations; refer to detailed instructions on following pages for specifics.**
- » Only use a standard household AC GFCI protected outlet to help prevent damage from power surges or lightning.
- » When using timer, ensure this is in full view of the sun if using the dusk/dawn feature.
- » It is recommended to have power source attached when installing lights to ensure all components work.
- » When burying wire in live sod use spade shovel to make a slit in the soil. Bury the wire 1"–3" (25 mm–76 mm) deep and tamp down the soil. Water heavily to allow the soil to resettle and minimize impact on the installation site.
- » When installing wiring, avoid extreme angles, pressure, or tension on the wiring, as this can cause pinching of the wiring and create a lighting failure.

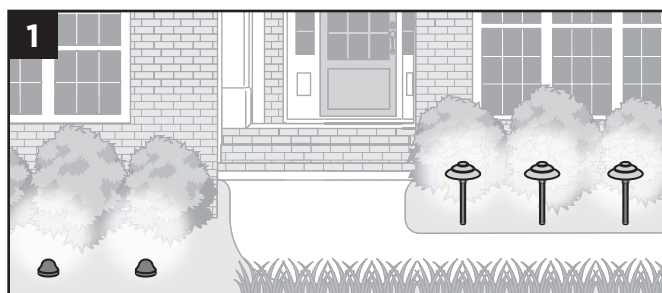


HOW TO INSTALL TREX LANDSCAPE LIGHTING/CONTINUED

(TREX WELL LIGHT, PATH LIGHTS, AND MULTIFUNCTION LIGHTS)

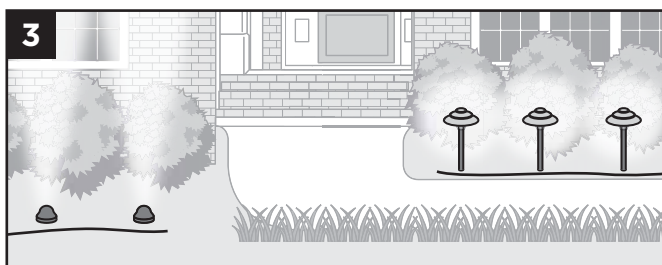
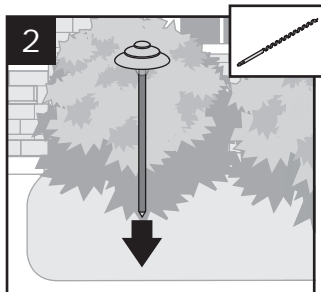
TRANSFORMER CAPACITY BY TYPE		
Type of Light	8.3A (100W) Transformer (83 DL TRANSFORMER)	2.5A Transformer (2.5 DL TRANSFORMER)
Well Light	74	23
Path Light	52	16
Wall Wash Light	52	16

Above listing is for maximum number of each individual types of lights. If mixing and matching lighting, contact Trex to determine if more than one transformer is required. Please visit Trex.com for an interactive capacity calculator.

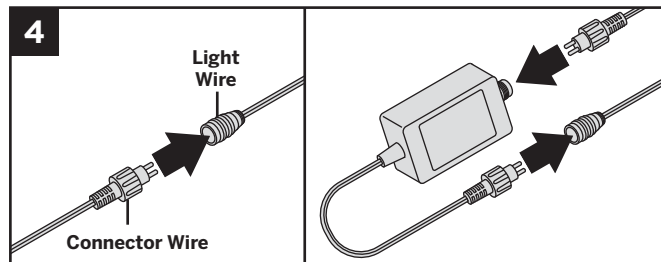


1. Locate placement of lights and lead wiring. Plan accordingly if you choose to bury wire under concrete or other permanent structures.

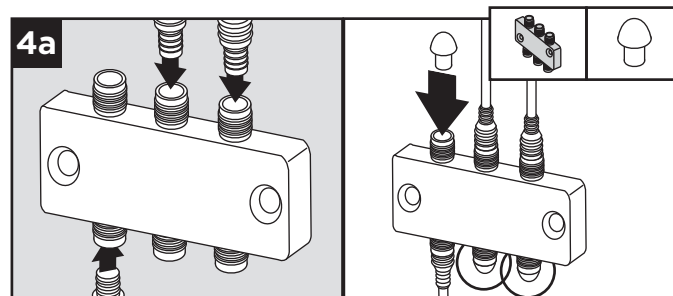
2. Place all lights in desired location. If necessary use 3/4" (19 mm) auger with optional extension in a drill to penetrate the surface enough to ensure the fixture is firmly implanted (**SEE WARNING ON PAGE 17**).



3. Run all wires from the power source locations to the lights on top of the soil, being mindful to leave slack. Pay special attention if using separate circuits with independent dimmers (*grouping lights by type is recommended*).



4. Connect all lights. Wire the optional dimmer (recommended) between the main 20' (6.1 m) transformer to male lead and the transformer for each circuit. Ensure connections (including splitters), fixtures, and power sources all work properly.

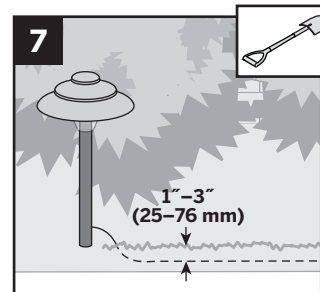


4a. Use male-to-male extension cables to make connections to splitters (*all sold separately*). Cap off all unused female connections on splitters using caps provided or weather-resistant silicone.

5. You can mix and combine all lights except the spotlight on the same circuit but make sure you **DO NOT** exceed the maximum number of lights per transformer. If running separate circuits with dimmers on each circuit, using a separate transformer for each circuit can simplify installation. However, use of a multi-zone transformer adapter will allow for separate circuits on the same transformer.

6. It is recommended the installer preview light placement in the dark to ensure desired effect is achieved.

7. Once the light, wire, and splitter placement is finalized, work from the light fixtures towards the power source to bury the wire to the desired depth. No more than 1"-3" (25 mm-76 mm) is required.



HOW TO INSTALL TREX LANDSCAPE LIGHTING/CONTINUED

(Trex SPOTLIGHT)

TRANSFORMER CAPACITY BY TYPE	
Type of Light	8.3A Transformer (83 DL TRANSFORMER)
Spotlight	12

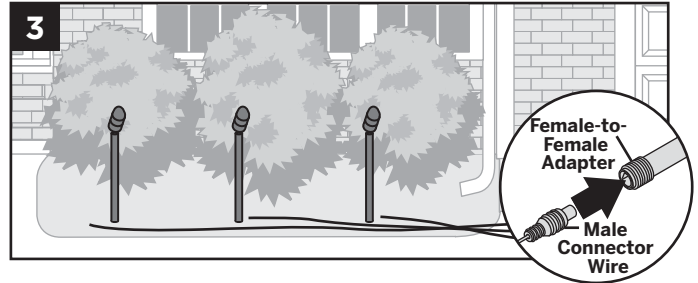
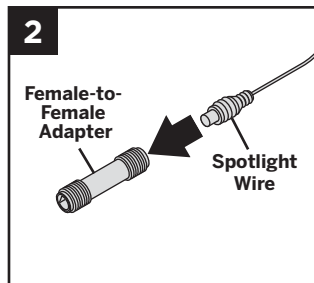
Above listing is for maximum number of each individual types of lights. If mixing and matching lighting, contact Trex to determine if more than one transformer is required.

NOTES:

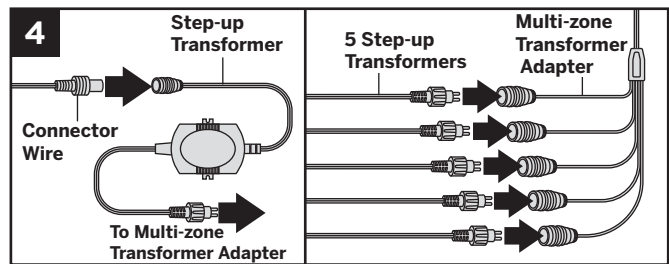
- » Each Trex Spotlight requires use of a dedicated 36V Step-up Transformer (included with each Trex Spotlight). **WARNING:** Step-up Transformer **DOES NOT** have fault protection, thus care must be taken if testing.
- » Spotlights must use a dedicated line running directly from the included 36V step-up transformer. **Maximum** of 12 spotlights are allowed per one 8.3 (100W)-amp transformer. **(NOTE: Must use three multi-zone transformer adapters if installing all 12 spotlights to single 5A transformer as multi-zone transformer adapter is designed for up to five spotlights.)** Spotlights have a male lead and require the use of a female-to-female adaptor to connect spotlight to connector wire. The spotlight fixture has a male lead. Install the extension cable accordingly. **DO NOT mix** any other lights on the spotlight circuit. Applying 36V to any other fixture types will result in very short diode life and will void warranty.
- » **DO NOT LOOK DIRECTLY INTO SPOTLIGHT WHEN ON. THIS LIGHT IS VERY BRIGHT.**



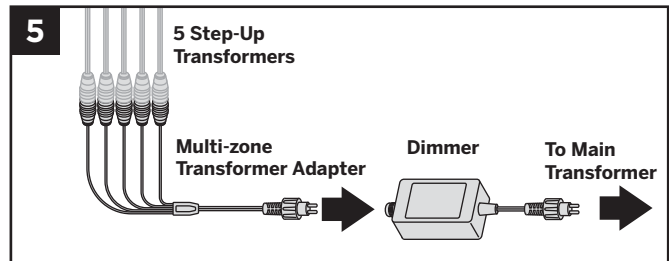
1. Locate placement of spotlights and lead wiring. Plan accordingly if you choose to bury wire under concrete or other permanent structures.
2. Connect male lead from light to female to one end of female adaptor.



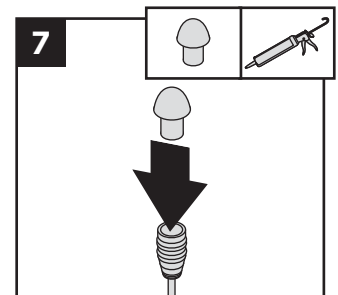
3. Connect opposite end of female adaptor to male connector wire. Choose appropriate length wire based on your needs. Run all wire on the surface back to the location of the power supply.



4. Connect opposite end of male connector wire cable to female end on Step-up Transformer. If using more than one spotlight, use multi-zone transformer adapter on Step-up Transformer, making sure that each spotlight is utilizing its own 36V Step-up Transformer. Wire the Step-up Transformer or multi-zone transformer adapter to the 8.3A (100W) main transformer.

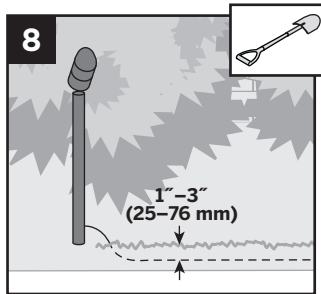


5. If using an optional dimmer (recommended), simply place the dimmer between the multi-zone transformer adapter and main transformer.
6. Test lights to ensure power supply, connections, and light fixtures all work properly and placement is appropriate.
7. Ensure that all unused connections on multi-zone transformer adapter are covered using weather-resistant silicone.

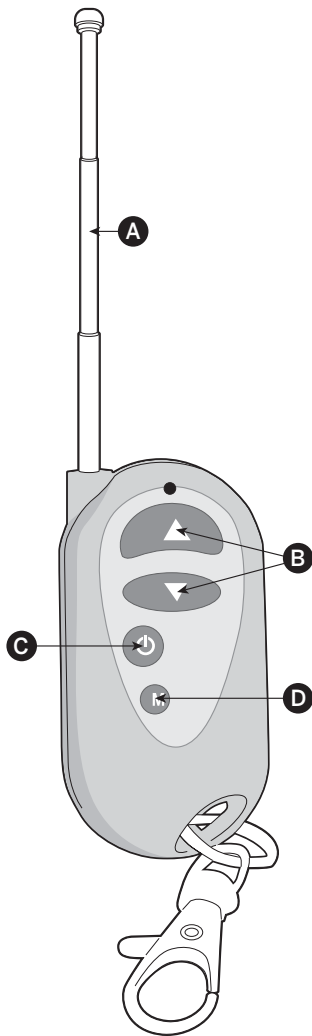


HOW TO INSTALL TREX LANDSCAPE LIGHTING/CONTINUED (TREX SPOTLIGHT)

- Ensure that lights are all working with all wiring attached prior to burying any wire. No more than 1"–3" (25 mm–76 mm) is required.



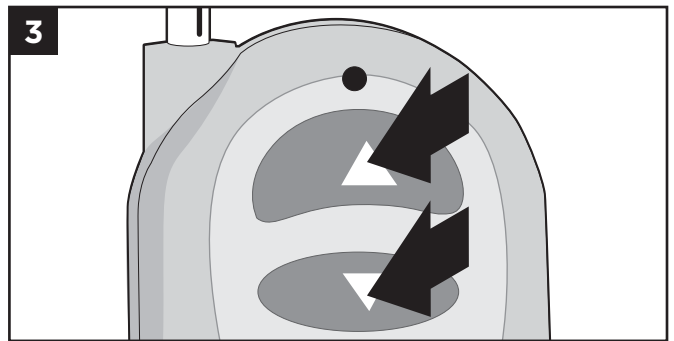
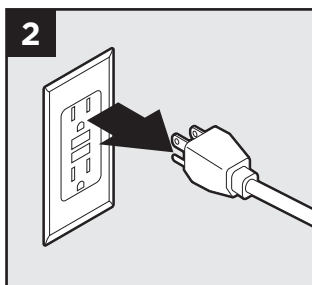
HOW TO PROGRAM DIMMER REMOTE



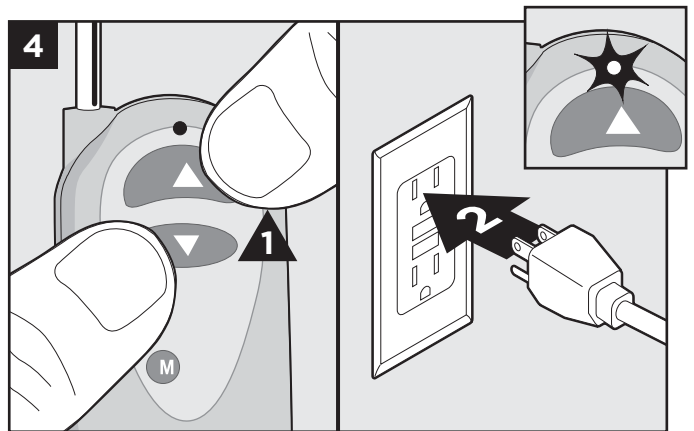
- ALWAYS** keep antenna fully extended for max range.
- Up/Down arrows gradually dim or brighten lighting.
- On/Off button cycles lights ON/OFF.
- Mode button cycles through 3 preset dimming levels: High, Medium, Low, and Off.

NOTE: First make sure the red light is illuminating on the remote. If there is no red light and the product is new, contact 1-800 BUY-TREX for a replacement. If the product is not new, the A27 battery is replaceable.

- Install dimmer per instructions and make sure lights are On and working properly.
- Unplug the transformer to turn lights Off.



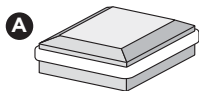
- Press and hold both the up and down arrow on the dimmer remote simultaneously.



- With the dimmer arrow buttons held down, plug the transformer back in. The lights should blink once to confirm programming.
- Release the up and down arrows on the remote and test remote to confirm proper operation.

HOW TO INSTALL TREX REVEAL POST CAP LIGHT

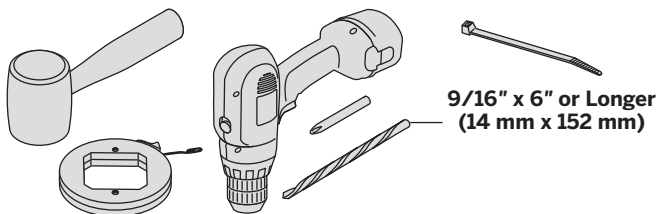
PARTS



Post Cap Light
(includes 5ft male-to-male wire)

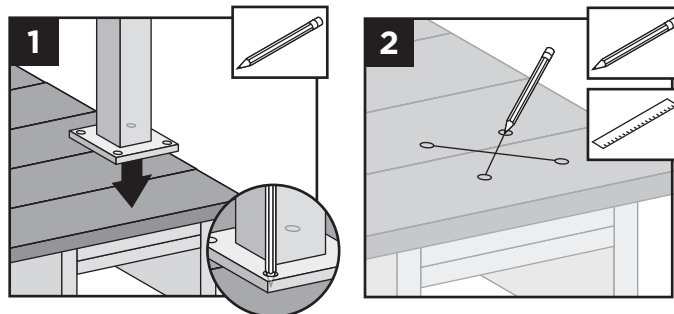
- » 5ft, 10ft, 20ft, 40ft, and 60ft connection/extension wires sold separately (these are male-to-male connection wires).

TOOLS NEEDED

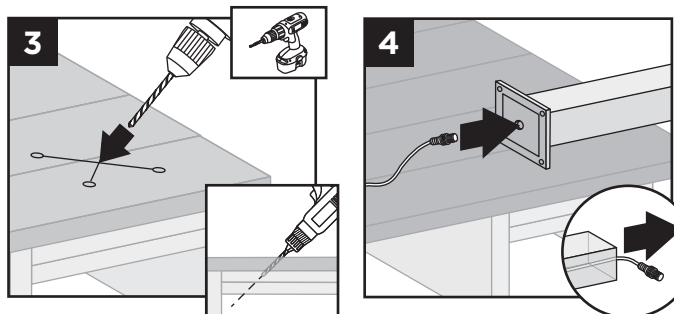


Installing Post Cap Lights

NOTE: Instructions shown below are for new deck installation and are shown **BEFORE** railing system has been installed.



1. Before attaching post to deck, locate placement of post and mark desired bolt locations.
2. Using a straight edge, mark an "X" between the four bolt locations.

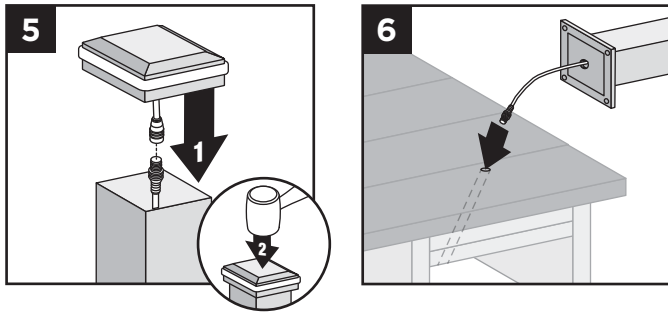


3. Using a 9/16" (14 mm) x 6" (152 mm [or longer]) drill bit, drill a diagonal hole through the decking and blocking. Ensure that the angle will allow wire to not be pinched by support plate under blocking (if using Trex ALPOSTHWDECK mounting kit). (See *Making Connections* section for details.)
4. Turn post upside down and fish 5' male-to-male wire (provided) through hole in baseplate.

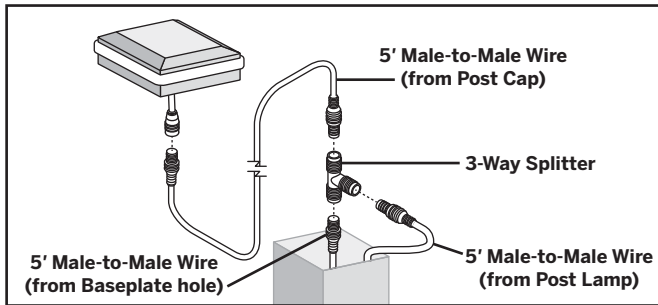
HELPFUL TIPS

- » Leave slack in wire to make fixture terminations.
- » Post lamps work well at changes in levels of a deck—at the top or the bottom of the stairs, or in conjunction with post cap lights.
- » Splitters should be used at each post that has lights and depending on spacing in between each riser and recessed light.
- » Cap all unused female connections with caps provided or weather-resistant silicone to prevent water damage or corrosion.
- » The splitter is cross-linked so there is no specified plug for lights versus lead wires.
- » Leads attached to each light are approx. 5.5' (1.67 m) in length and have male terminals to plug into splitter.
- » Use a separate dimmer control for each light type for maximum control.
- » It is recommended to have power source on when installing lights to ensure all components work.

HOW TO INSTALL TREX REVEAL POST CAP LIGHT CONTINUED



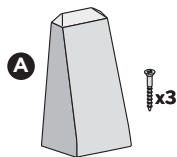
5. Connect the female connector on the post cap light to this wire and, using a rubber mallet, gently tap the cap onto top of post until it is secure.
6. Turn post over and carefully fish wire through hole created in Step 3 to underside of the deck. Ensure exit point of wire under blocking will not be pinched by ALPOSTHWDECK plate.
7. Mount post per instructions.



NOTE: If connecting a Reveal post lamp light as well, a 3-way adapter and extra 5' male-to-male wire (not provided) can be used inside the post so that only one wire must be run through the hole in the base of the post (and post blocking). This is optional.

HOW TO INSTALL TREX REVEAL POST LAMP

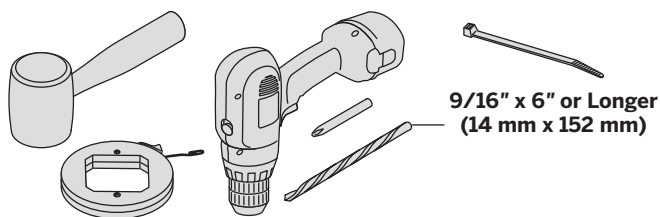
PARTS



Post Lamp
(includes 5ft male-to-male wire)

- » 5ft, 10ft, 20ft, 40ft, and 60ft connection/extension wires sold separately (these are male-to-male connection wires).

TOOLS NEEDED



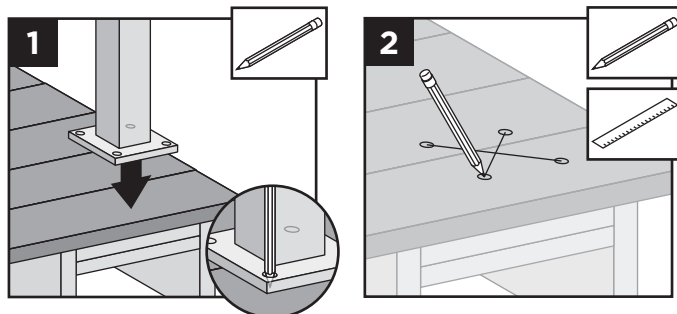
9/16" x 6" or Longer
(14 mm x 152 mm)

HELPFUL TIPS

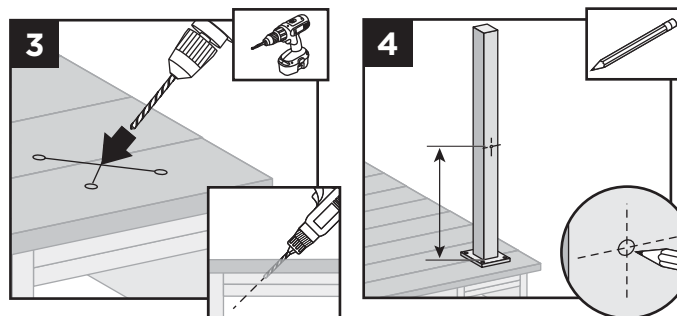
- » Leave slack in wire to make fixture terminations.
- » Post lamps work well at changes in levels of a deck—at the top or the bottom of the stairs, or in conjunction with post cap lights.
- » Splitters should be used at each post that has lights and depending on spacing in between each riser and recessed light.
- » Cap all unused female connections with caps provided or weather-resistant silicone to prevent water damage or corrosion.
- » The splitter is cross-linked so there is no specified plug for lights versus lead wires.
- » Leads attached to each light are approx. 5.5' (1.67 m) in length and have male terminals to plug into splitter.
- » Use a separate dimmer control for each light type for maximum control.
- » It is recommended to have power source on when installing lights to ensure all components work.

Installing Post Lamps

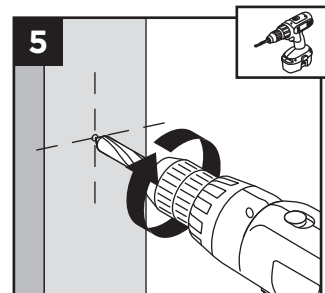
NOTE: Instructions shown below are for new deck installation and are shown **BEFORE** railing system has been installed.



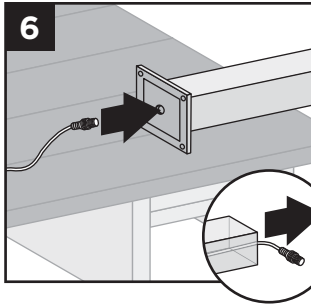
1. Before attaching post to deck, locate placement of post and mark desired bolt locations.
2. Using a straight edge, mark an "X" between the four bolt locations.



3. Using a 9/16" (14 mm) x 6" (152 mm [or longer]) drill bit, drill a diagonal hole through the decking and blocking. Ensure that the angle will allow wire to not be pinched by support plate under blocking (if using Trex ALPOSTHWDECK mounting kit).
4. Locate placement of post lamp. Mark entry point of the wire.
5. Drill 9/16" (14 mm) hole where wire will enter post.



HOW TO INSTALL TREX REVEAL POST LAMP CONTINUED

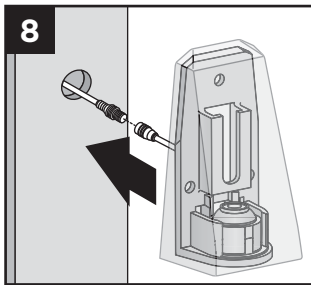
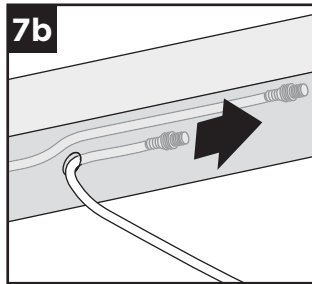
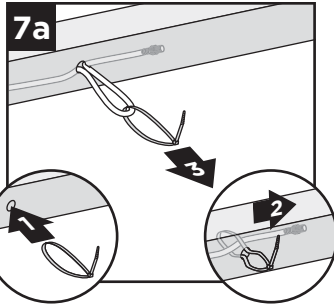


6. Turn post upside down and fish 5' male-to-male wire (provided) through hole in baseplate.

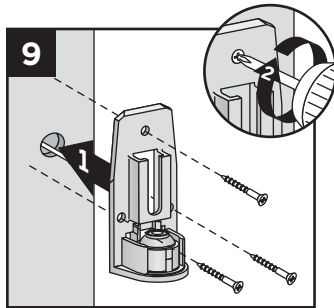
7a. If connecting a Reveal post lamp only, pull wire through hole.

TIP: Insert a zip-tie loop (or small grabber tool) through 9/16" (14 mm) hole. Fish wire through loop in zip-tie. Pull wire through hole with zip-tie.

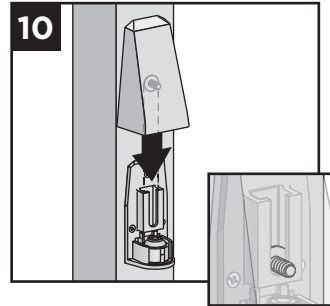
7b. If connecting a Reveal post cap light as well, and using the 3-way splitter (see note after Step 12), simply run one wire through the hole created in Step 5 to the top of the post.



8. Connect male connector to female connector on light housing.



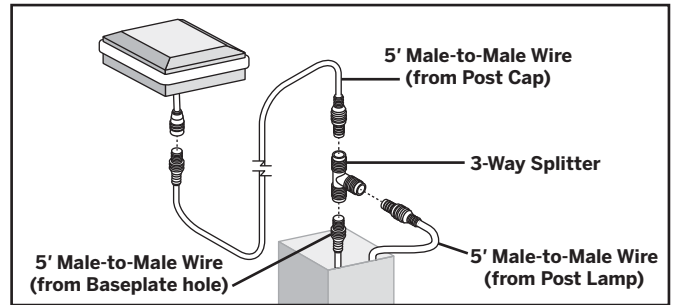
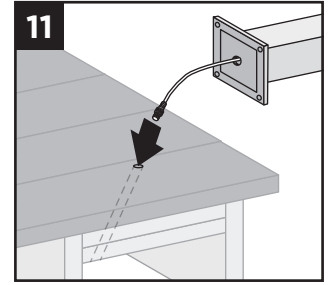
9. Place light and attach backing plate to post with three screws (provided).



10. Slide light cover down over backing plate, adjusting mounting screws as necessary to achieve a tight fit.

11. Turn post over and carefully fish wire through hole created in Step 3 to underside of the deck. Ensure exit point of wire under blocking will not be pinched by ALPOSTHWDECK plate.

12. Mount post per instructions.



NOTE: If connecting a Reveal post cap light as well, a 3-way adapter and extra 5' male-to-male wire (not provided) can be used inside the post so that only one wire must be run through the hole in the base of the post (and post blocking). This is optional.

DECKING



DECKING AND FASCIA RECOMMENDED FASTENERS

	TREX PRODUCT LINES				
	Transcend®	Enhance®	Select®	Accents®	Escapes®
Trex Hideaway® Universal Hidden Fastener	X	X	X	X	X
Trex Hideaway® Connector Clip	X	X		X	X
TigerClaw® TC-G Hidden Fastener			X		
FastenMaster® TrapEase 3 Ultimate Composite Deck Screw	X	X	X	X	X
Simpson Strong Tie Deck Drive™ DCU Composite Screw (Collated and Handdrive)	X	X	X	X	
Quick Drive® Composi-Lok Deck Screw				X	
Dexxter® Composite Screw - 6 Lobe Drive Only	X	X	X	X	
SplitStop™ Titan III Composite Screw	X	X	X		
UFO Ballistic NailScrews®				X	
Fastenmaster® TrimTop Screw					X
Scrudini™ Hand Drive Screws					X
Camo™ Marksman Pro®					X
Starborn® Cap-Tor® xd - Epoxy Coated Starborn® Cap-Tor® xd - Headcote® Stainless (available collated for Muro CH7390 Driver****) (available in 2" - approved for sleeper and roof top applications only)	X	X	X	X	X***
Screw Products C-Deck Exterior Star Drive Composite Deck Screw	X	X	X		
Phillips II Plus® Pozisquare	X	X	X		
Cortex® Concealed Fasteners**	X	X	X	X	
Muro® T-Screw Torx Stainless Steel Screw - Collated (TX0212SFD or M-TX0300SEP)	X	X	X	X	
Kameleon™ GRKFasteners™			X		
Starborn® DeckFast® Fascia System - Epoxy Coated* Starborn® DeckFast® Fascia System - HeadCote® Stainless*	X	X	X		
SplitStop™ Fascia Screws* (uses SplitStop™ Fascia Bit)	X	X	X		

NOTES:

- » 2-3/4" (70 mm) or 3" (76 mm) screws can be used with Trex 2x6 product.
- » Muro T-Screw M-TX0300SEP listed above is approved for 2x6 decking (can also be used with standard 1" (25 mm) decking as listed above). This screw is collated and can be used with Muro Auto Feed Screw Gun FDVL41 Speed Driver. **(NOTE THIS IS NOT A COLOR-MATCH SCREW.)**
- » All decking products are approved for use with Trex Hideaway Hidden Fasteners, thus all decking products can be routed according to our instructions.
- » Simpson Strong Tie Deck Drive DCU Composite Screw in collated versions works with Quik Drive gun.
- » *Fascia system screws listed above **can only be used with composite fascia profiles**, cannot be used with standard thickness decking boards used as fascia. Use stainless steel screws near water applications.
- » **Not for use with sleeper systems. Refer to FastenMaster® literature for more information.
- » ***Collated Cap-Tor xd products cannot be used with Trex Escapes.

If any condition occurs which is attributable to the use of non-recommended fasteners, such condition shall not be covered under Trex's Limited Warranty.

FastenMaster® TrapEase® II, TrapEase® 3, FastenMaster® TrimTop™, and Cortex® are registered trademarks of OMG, Inc.

Camo® and Marksman Pro® are registered trademarks of National Nail Corp.

Quik Drive® and Dexxter™ are registered trademarks and Composi-Lok™ is a trademark of Simpson Strong-Tie Company, Inc.

NailScrews® is a registered trademark of Universal Fastener Outsourcing, LLC.

Scrudini™ is a trademark of Swan Secure Products, Inc.

DeckFast® Cap-Tor® xd and HeadCote® Cap-Tor® xd are registered trademarks of Starborn Industries Inc.

C-Deck Exterior Star Deck Composite Deck Screw is a product of Screw Products Inc.

Phillips II Plus® is a registered trademark of Phillips Fasteners LLC.

SplitStop™ screws are a registered trademark of Titan Metal Werks, Inc.

Trex recommends the use of two screws per joist.

All recommended screws are designed to be installed flush with decking surface, DO NOT countersink screws.

Use recommended stainless steel screws in any areas near bodies of salt water.

MINIMUM FASTENER SIZE		
SCREWS		
Profile	Length	No.
1x6	2-1/2" (63.5 mm) or 2-3/4" (70 mm)	#8, #10
2x6	2-3/4" (70 mm) or 3" (76 mm)	#8, #10

1x6 (25 mm X 152 mm), 2x6 (51 mm x 152 mm)

TREX® FASCIA INSTALLATION RECOMMENDATIONS

Trex Fascia utilized around the perimeter of a deck must be gapped with the same requirements as Trex decking to allow for air flow and expansion/contraction of the fascia.

The gapping requirements are as follows:

WIDTH-TO-WIDTH GAP	
Below 40°F (4.5°C)	3/8" (10 mm)
Above 40°F (4.5°C)	1/4" (6 mm)

END-TO-END/END-TO-WIDTH & ABUTTING GAP		
	End-to-End/ End-to-Width	Abutting
Below 40°F (4.5°C)	3/16" (5 mm)	1/2" (13 mm)
Above 40°F (4.5°C)	1/8" (3 mm)	1/4" (6 mm)

When Using Approved Fascia Fasteners:

NOTE: The fasteners listed below can only be used with 1x8 or 1x12 fascia product, and cannot be used with decking product that is being used as fascia trim or stair risers.

Trex recommends the use of Starborn® DeckFast® Fascia System, for all composite Trex fascia profiles.

For near water applications, you can also use Fascia System HeadCote® stainless steel screws. Refer to manufacturer recommendations for specifics if this is required.

If using 2 x 8 framing, use two fascia screws every 18" (457 mm). If using 2 x 10 or greater framing, use three fascia screws every 18" (457 mm). Follow manufacturer instructions for further install instructions and ALWAYS remember to gap fascia properly. A secondary glue is not required when using these fasteners.

NOTE: The above fasteners can ONLY be used with fascia profiles. If using deck boards as fascia, refer to the recommendations in next column on this page.

If Using other Fasteners and/or Using Decking product in Fascia/Stair Riser Applications:

While Trex prefers the previous methods of attachment, as these are the very best options, there are also other recommendations that can be followed for fascia or deck boards being used for fascia. Use three Trex recommended composite decking screws every 12" (305 mm). ALWAYS refer to manufacturer instructions to ensure that recommended screws can be used for fascia applications. The top screw should be placed 1" (25 mm) from the top of the rim joist, the second screw in the center of the rim joist, and the third screw 1" (25 mm) from the bottom of the rim joist.

IN ADDITION, also use a weather-resistant, construction-grade adhesive (adhesives that work with wood will work with Trex products) as a **SECONDARY** fastener when attaching fascia. Remember to wipe away any excess before drying or allowing to drip on other Trex surfaces.

ADDITIONAL TIPS:

- » 10" (254 mm) rim joists allow for an easier and more aesthetically pleasing installation.
- » Miter cuts at butt joints and corners allow for a more aesthetically pleasing installation.

FRAMING AND FASTENING TIPS

FASTENING TIPS FOR TREX ESCAPES*

You can fasten Trex Escapes with the recommended fasteners at least 1/2" (13 mm) and not more than 4" (102 mm) from the board edge without splitting. **You do not have to pre-drill with Trex Escapes.**

**Use Trex Universal Hideaway Hidden Fasteners for Escapes grooved product. This includes additional screws for installation.*

FASTENING TIP FOR TREX ESCAPES, TREX TRANSCEND, TREX ENHANCE, AND TREX SELECT

NOTE: When using pneumatic or battery-operated equipment, adjust the pressure so that you only shoot the head of the screw to be flush with the board's cap. **DO NOT** shoot the fastener head completely through the cap.

TREX AND STATIC ELECTRICITY

The buildup of static electricity on a flat surface can affect walking surfaces. This phenomenon can occur in dry climates, where hot dry winds and dust-borne particles can create static electricity on the surface of the decking. (This static electricity is the same as when people drag their feet on a dry day or rub a balloon on fur or wool.) In most cases, hosing down the decking surface will dissipate the static charge, however if this continues the deck can be grounded. Consult with an electrician to determine the best methods for this.

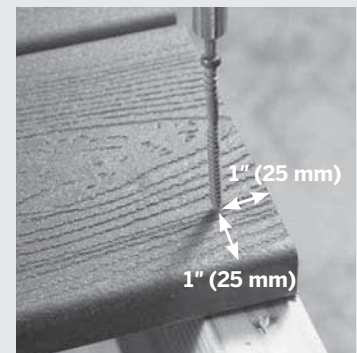
TREX PRODUCTS NEAR LOW-E WINDOWS

Low-E glass reflects more sunlight, and it has been observed that the extra reflectivity combined with any concavity in the glass can act like that of a concave mirror, concentrating sunlight onto outdoor objects, including that of decking and railing. This can result in an extreme amount of heat concentrated on areas of the decking surface, which in turn can sometimes char the decking surface or cause the decking to slightly bow.

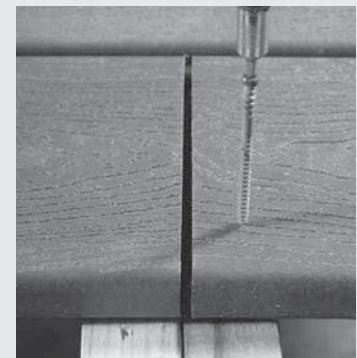
Composite decking is a great alternative to traditional wood decking. When building your deck and railing, it is recommended that code-approved structural material be used as the framing and joists. One option is using Trex Elevations® steel deck framing. Refer to www.trex.com for more information on Trex Elevations. Check your local building codes for restrictions. Trex decking cannot be used for structural applications.

DO NOT attach Trex decking directly to any solid surface or watertight system. See *Sleeper Systems* on page 29. In most cases, install fasteners at a 90° angle (perpendicular to the board).

At board ends on the deck's edge, you can install screws placed perpendicularly at the recommended distance, at minimum of 1" (25 mm) from the board end and edge, without splitting the board.



For butt joints, where boards meet over a single joist, add a 2" x 4" (51 mm x 102 mm) "nailer" board at the butt joint. This allows you to install a screw at a 90° angle.

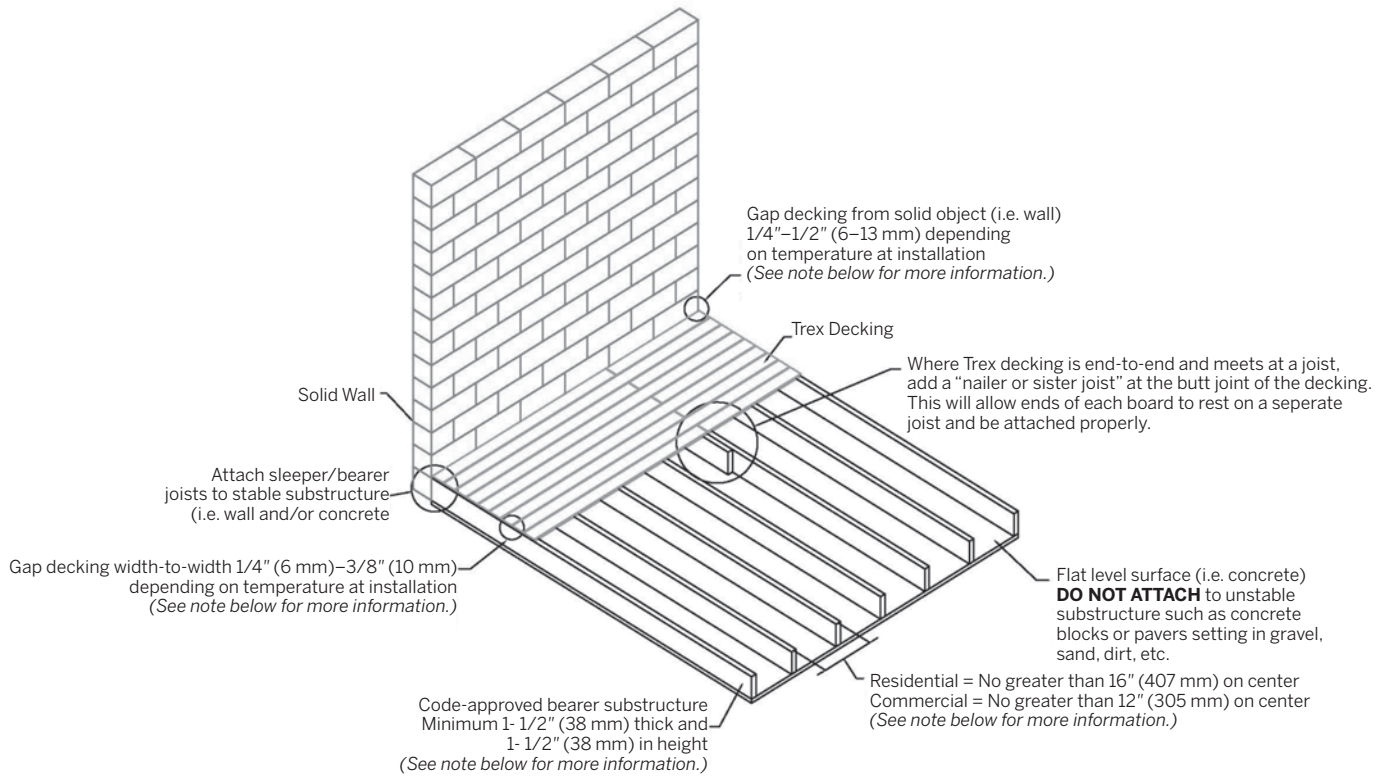


DOCK APPLICATIONS

Trex decking contains no materials that will harm marine life and is safe for the environment. As long as dock is in intermittent contact with water, i.e., splashing and not in continuous direct contact with water, the durability of the Trex decking should not be affected. For docks, a 3/8" (10 mm) width-to-width gap between boards is recommended to allow for increased drainage due to increased contact with water. In addition, stainless steel fasteners should be used. If there is sufficient contact with the dock and gasoline, grounding of the dock is also recommended.

ROOFTOP AND SLEEPER DECK SYSTEMS

A sleeper system is a substructure between a solid surface and Trex decking. Drainage, access, and airflow are critical. Water must be able to flow through and away from the deck. For repairs and removal of debris, joist system access may be necessary.



- » It is recommended that building code approved structural material be used as the supports.
- » Gapping rules are required when installing Trex decking:

	TYPE OF GAP	
	Above 40°F (4.5°C)	Below 40°F (4.5°C)
Width-to-Width	1/4" (6 mm)	3/8" (10 mm)
End-to-End	1/8" (3 mm)	3/16" (5 mm)
End-to-Width	1/8" (3 mm)	3/16" (5 mm)
Abutting Solid Objects	1/4" (6 mm)	1/2" (13 mm)

- » This system should not be allowed to float; it must be attached in a manner that secures the framing/ system.
- » The sleeper system must be level and have no uneven undulations. Any uneven areas of the substructure will transfer to the Trex decking, resulting in uneven decking.
- » Trex, when used with a sleeper system, must be supported below its entire length and if using in a roofing application, the supports must run the direction of the pitch of the roof to facilitate proper drainage. Sleeper should be placed perpendicular to the deck board orientation.

- » For Commercial applications it is recommended to consult local building code official for specific requirements.
- » If installing decking at angle, decrease spans 4" (100 mm) for each of the above. (12" (305 mm) for residential and 8" (204 mm) for commercial.)
- » For sleeper systems where little debris (pine needles, leaves, sand, dirt) can accumulate either between or under deck boards, a minimum of 1-1/2" (38mm) height is allowable. Trex recommended the use of Trex Universal Hidden Fasteners or 2" Starborn Cap-Tor® xd - Epoxy Coated screws. (**NOTE:** Trex recommended composite decking screws are too long when using 1-1/2" (38 mm) height as this will penetrate through the sleeper.) For areas with the potential for debris buildup, a minimum 3-1/2" (89 mm) or greater height is recommended to allow the debris to be removed along with the use of either Trex Universal Hidden fasteners or any Trex recommended screws.
- » **ALWAYS** consult your local building code authority for proper details on roof and railing installation to the roof structure if required.
- » Any deviation from these recommendations could result in the voiding of the Trex warranty.

NOTE: Construction methods are always improving. Please refer to www.trex.com for the most up-to-date installation requirements.

CODE COMPLIANCE

Joist Spanning for Decking

Trex decking meets all applicable national model building codes. The joists must be spaced on center according to the chart below. Be sure that joists are level and plumb. Trex decking must span at least three joists. For heavy items such as hot tubs, planters, etc., consult a local building engineer or inspector for span recommendations. If you want to minimize the appearance of joists through the spaces between boards, paint the top of your joists black.

Code Listings

Trex complies with major model building codes and has been evaluated by the International Code Council evaluation service.

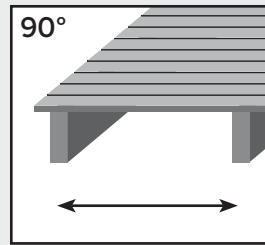
For a Safety Data Sheet (SDS), please visit www.trex.com

Trex Transcend and Trex Escapes

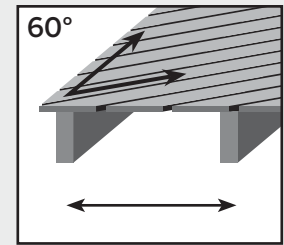
Trex Transcend and Trex Escapes are compliant with the Wildland-Urban Interface, California State and San Diego County fire codes.

For more information, e-mail question@www.trex.com or call 1-800-BUY-TREX (1-800-289-8739).

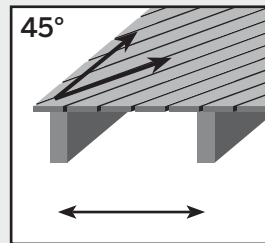
ADJUST JOIST SPANNING TO ACCOMMODATE ANGLED DECKING PATTERNS



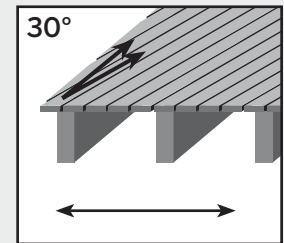
Perpendicular to joists.
See chart below.



At a 60° angle, maximum joist spanning is 2" (51 mm) less than listed in the chart below.



At a 45° angle, maximum joist spanning is 4" (102 mm) less than listed in the chart below.



At a 30° angle, maximum joist spanning is 1/2 of the distance listed in the chart below.

TREX DECKING SPAN CHART (On Center)

	Residential Decks, Light Duty Docks, Residential/Day Care Playground	Commercial Decks, Boardwalks and Marinas
Decking Loading	100 psf = 4.8 kN/m ²	100 psf = 4.8 kN/m ² 200 psf = 9.5 kN/m ²
1" (25 mm) Boards (including Porch), and .875" (22 mm) Select Boards	16" (406 mm)	16" (406 mm) 12" (305 mm)
2" x 6" (51 mm x 152 mm) Boards	24" (610 mm)	24" (610 mm) 16" (406 mm)

TREX RAILING SPAN CHART

Maximum Railing Span for all Applications

Transcend, Select railing, and Reveal railing	96" on center (2438 mm) for Transcend, 72" on center (1829 mm) for Select, 96" (2438 mm) clear span for Reveal
---	--

GAPPING and OVERHANG

You must gap Trex decking, both end-to-end and width-to-width. Gapping is necessary for drainage and the slight thermal expansion and contraction of Trex decking boards. Gapping also allows for the shrinkage of the wood joist system.

- » **ALWAYS** follow Trex-recommended gapping guidelines.
- » Maximum allowable perpendicular overhang for all Trex decking is 1/2" (13 mm).
- » All decks require air circulation to keep them dry and looking good. To improve air flow, leave openings under the decking or increase gapping to 3/8" (10 mm).

WIDTH-TO-WIDTH GAP	
Above 40°F* (4.5°C)*	1/4" (6 mm)
Below 40°F* (4.5°C)*	1/4" (6 mm)

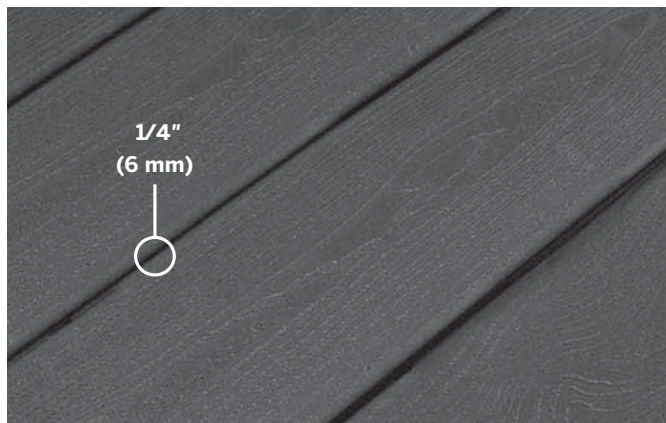
*Temperature at installation.

END-TO-END/END-TO-WIDTH AND ABUTTING GAP		
	End-to-End/ End-to-Width	Abutting Gap
Above 40°F* (4.5°C)*	1/8" (3 mm)	1/4" (6 mm)
Below 40°F* (4.5°C)*	3/16" (5 mm)	1/2" (13 mm)

*Temperature at installation.

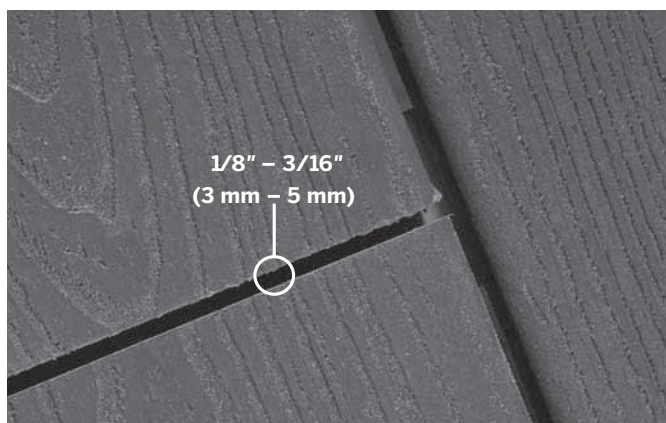
When you use the recommended hidden fasteners, the placement of the hidden fastener establishes the designated gap size.

When installing fascia, gapping rules must apply.



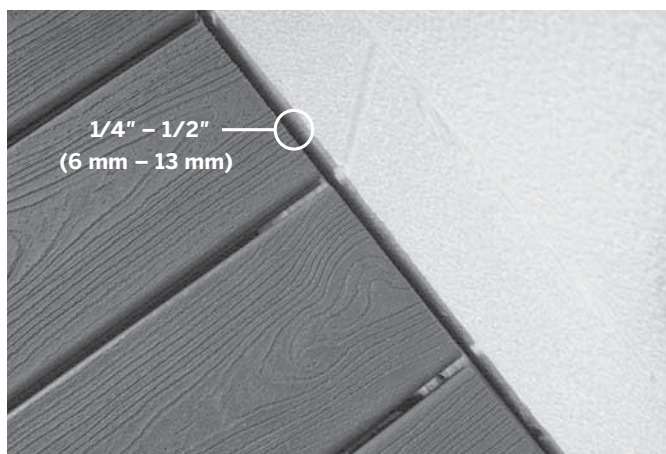
Width-to-Width

The minimum required width-to-width gapping is 1/4" (6 mm). This is allowed for both hot and cold weather installations. For docks and heavily wooded areas, Trex recommends a 3/8" (10 mm) gap as well. No gapping should ever exceed 1/2" (13 mm).



End-to-End/End-to-Width

Gap Trex decking end-to-end, based upon the temperature at installation. See chart at left. For fastening tips, see page 28.



Abutting Solid Objects

When decking is abutting a wall, you must also gap it 1/4"-1/2" (6-13 mm) depending on the temperature at installation. See chart at left.

NOTE: Construction methods are always improving. Please refer to www.trex.com for the most up-to-date installation requirements.

STAIRS

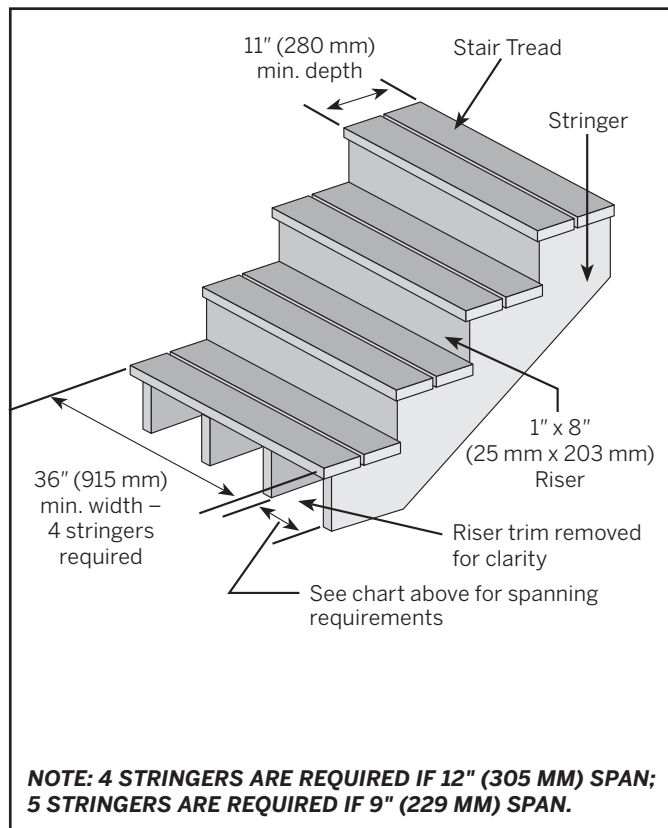
Stairway Detail

- » Stair treads built with Trex meet requirements by the major national building codes. Consult your local municipality for specific requirements.
- » Fasten stair treads continuously across at least four stringers.
- » See chart (at right) for center-to-center spacing of profiles.
- » Dress the sides of the stringers and risers with trim or Trex fascia for a finished look.
- » Most model building codes require the stair treads to be constructed under the following requirements:
 - › Stairways must be at least 36" (914 mm) wide*
 - › Stair treads must be at least 11" (280 mm) deep
- » Gapping between Trex boards on stair treads must be 1/4"–3/8" (6 mm–10 mm).
- » The overhang of the stair tread is not to exceed 1/2" (13 mm).

*For railings that are installed directly over stair treads, the stair treads may need to be larger than 36" (914 mm) wide. Refer to local building code regulations for details prior to installing stairs and railings.

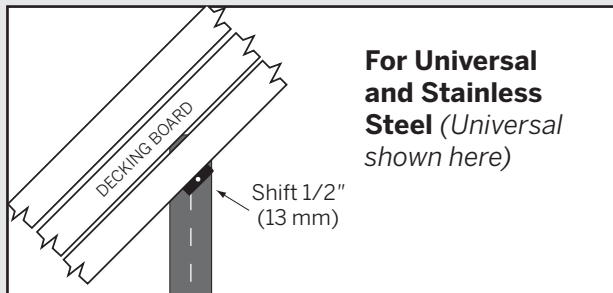
NOTE: Trex rails meet all major building codes for use as a guardrail system. Local municipalities may require a graspable handrail on stairways. Check with your local building code official for local requirements. See Trex ADA Handrail System on pages 110–113.

MAXIMUM SPACING ON CENTER OF STAIR STRINGER	
Transcend & Enhance 1" X 6" Actual dimensions - .94" X 5.5" (24 mm x 140 mm)	12" (305 mm)
Select and Escapes 1" X 6" Actual dimensions - .82" x 5.5" (20 mm x 140 mm)	9" (229 mm)
Transcend & Select 2" x 6" Actual dimensions - 1.3" x 5.5" (33 mm x 140 mm)	12" (305 mm)



TIPS FOR INSTALLING A TREX HIDEAWAY® HIDDEN FASTENING SYSTEM

Installing Angled Deck Boards in Corners

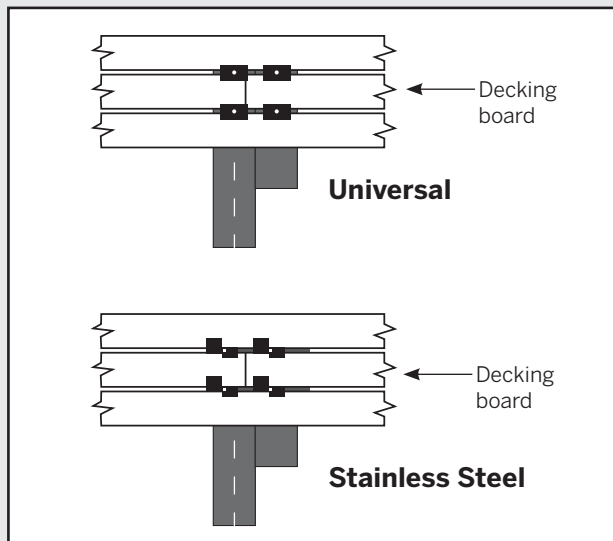


For Universal and Stainless Steel (Universal shown here)

Shift 1/2" (13 mm)

ALWAYS start in corner with a small triangular piece of decking at 45° and work outwards. Install Trex Hideaway Hidden Fasteners 1/2" (13 mm) off center to keep fastener screws in middle of joists.

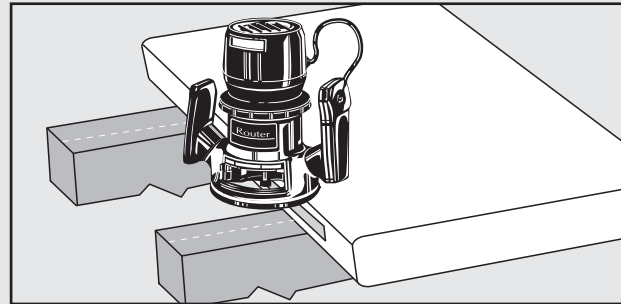
How to Butt Seams



1. Install 10"–12" (254 mm–305 mm) framing boards along joists where seams will butt.
2. Place additional fasteners on the adjacent board over the joist and framing boards where the seam will be.
3. Put the first board of the seam in place and secure with fastener.
4. Following proper gapping for abutting boards (see page 31), place second board in proper location and secure with fastener.
5. Place second set of fasteners on each side of butt seam for each board.

Routing Square Edge Boards for Trex Hideaway Hidden Fasteners

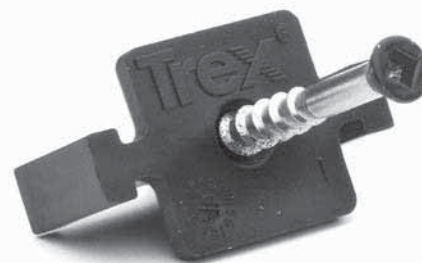
NOTE: The following Trex Square Edge decking boards (Trex Transcend, Trex Enhance, Trex Escapes, Trex Accents, and Trex Select), either 1x6 or 2x6, can be routed.



Using a Trex router bit/groove cutter available at your local Trex dealer:

1. Rout from bottom side of board.
2. Rout the entire length of the board, or at every intersection where board is over support joists.

Connector Clip (stainless steel)



Universal Fastener

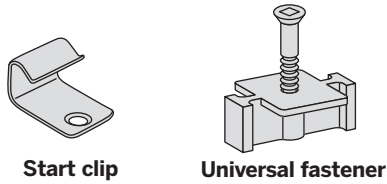
NOTE: Hidden Fasteners **MUST** be used at every joist.

Refer to www.trex.com for technical bulletin on how to install connector clips with Trex Transcend, Enhance and Select decking products.

HOW TO INSTALL TREX HIDEAWAY UNIVERSAL HIDDEN FASTENERS (TREX TRANSCEND, ENHANCE, ESCAPES, ACCENTS, AND SELECT)

NOTE: See page 35 for additional instructions if installing Escapes.

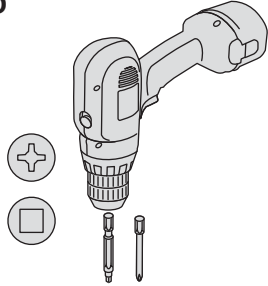
PARTS



Start clip

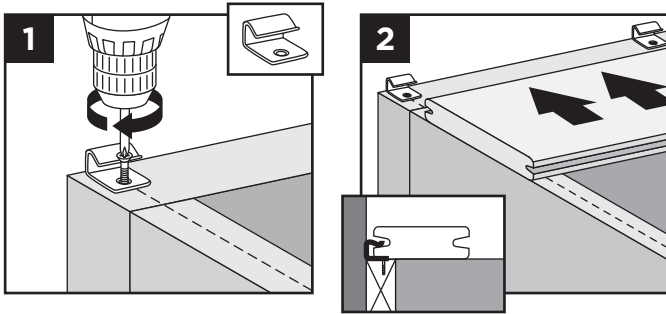
Universal fastener

TOOLS NEEDED



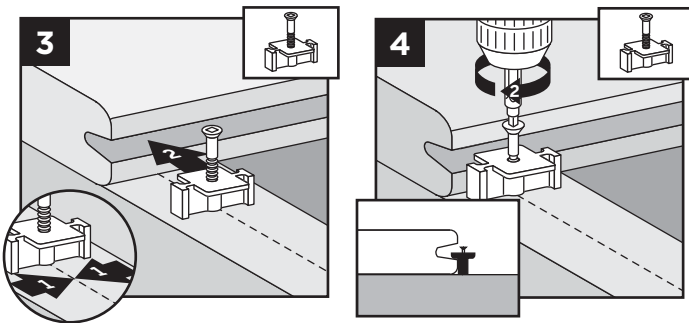
NOTE: Maximum spacing of deck boards using Hideaway system is 16" (406 mm) on center. Fasteners provide 1/4" (6 mm) gap when installed correctly.

Installing Start Clips and First Board



1. Install start clips on edge of ledger board, centered on each joist. Secure clips with screws.
2. Push grooved edge of deck board into start clips.
Important: First board **MUST** be straight and well secured.

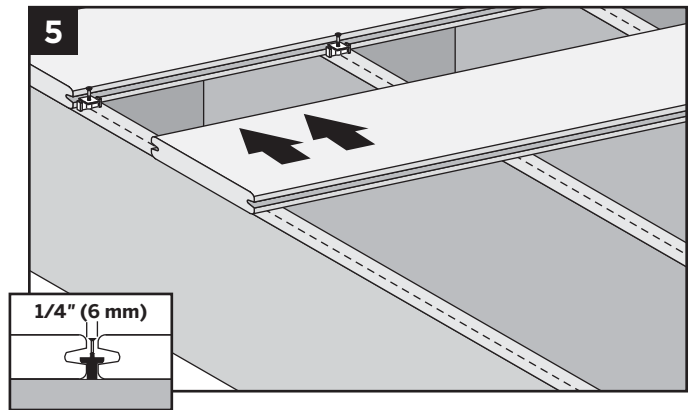
Installing Universal Fasteners



3. Insert fastener into grooved edge of deck board.
4. Align screw hole in fastener with center of joist. Continue along the length of the board at every joist.

NOTE: Screw only halfway down. **DO NOT** fully tighten.

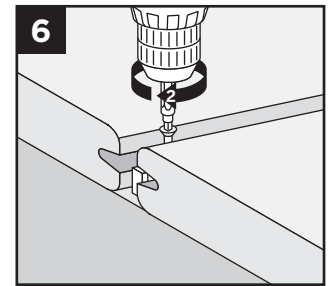
Installing Second Board



5. Slide second board into place, making sure fasteners fit into groove. Install the next universal fastener on the other side of the second board in the same manner as Steps 3 and 4. **DO NOT** fully tighten the screw.

Complete Installation

6. Tighten screws on fasteners in first row. Proceed with Steps 3 through 5, tightening down each row after board that follows is in place. Be sure to use a long #1 square bit.



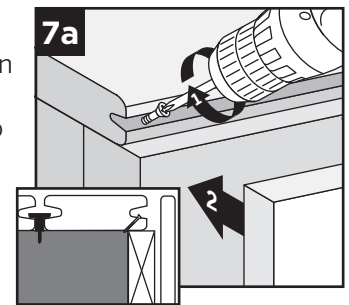
Installing Last Board

Option 1:

NOTE: If boards are slightly bowed up, you can use this option to draw boards down on the final joist. This can also help eliminate overall movement of the boards in areas prone to wide temperature changes.

Using Fascia Board

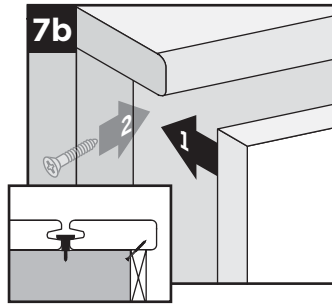
- 7a. Pre-drill pilot holes at an angle through grooved edge of deck board into ledger board. Install 2-1/2" (64 mm) screws through pilot holes to secure. Attach a fascia board flush with deck surface.



HOW TO INSTALL TREX HIDEAWAY UNIVERSAL HIDDEN FASTENERS/CONTINUED

Option 2: With Deck Board Overhang (Using Square Edge Board as Final Board)

7b. Pre-drill pilot holes at 45° angle from below deck surface through rim joist. Seat last board into fasteners overhanging rim joist. Secure board with 2-1/2" (64 mm) screws using pilot holes. Position fascia board below overhanging deck board.

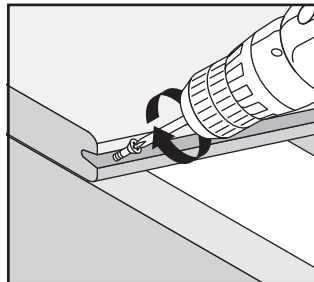


Option 3: Face Screwing Both Decking and Fascia

8. Both decking and fascia can be attached using approved face screw fasteners.

HOW TO INSTALL ESCAPES BOARDS WITH TREX HIDEAWAY UNIVERSAL HIDDEN FASTENERS

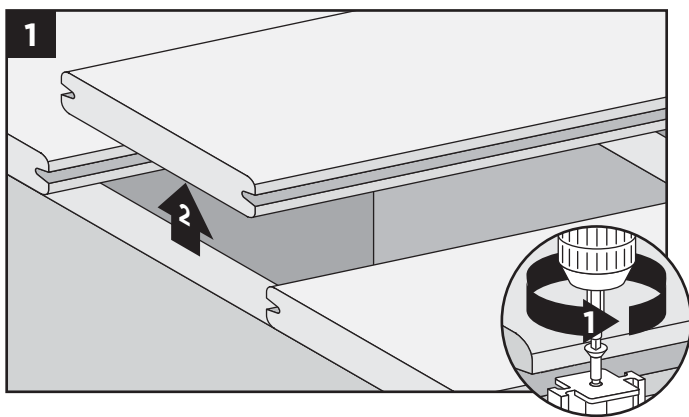
1. Follow Steps 1–2 for installing start clips and first board. See page 34.
2. At both ends and center of first board, toenail screw (provided with Hideaway universal hidden fasteners), at an angle through grooved edge of deck board.



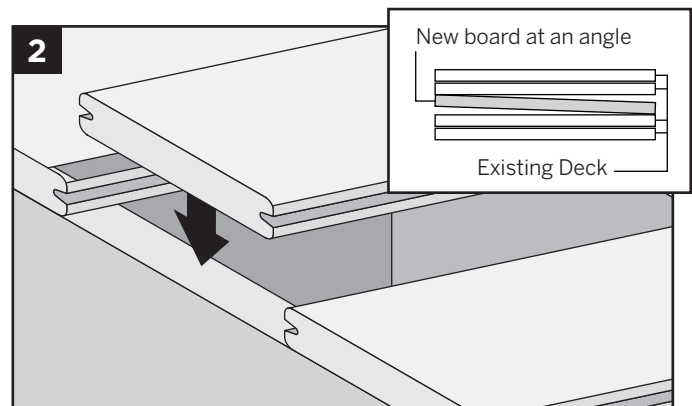
3. Follow Steps 3–4 for installing universal fasteners. See page 34.
4. For every consecutive board installed, toenail screw at an angle through grooved edge of deckboard as stated in Step 3.
5. Follow remaining steps for completing installation and installing last board. See page 34.

HOW TO REPLACE TREX BOARDS INSTALLED WITH TREX HIDEAWAY UNIVERSAL FASTENERS (TREX TRANSCEND, ENHANCE, ESCAPES, AND SELECT)

Universal Fasteners



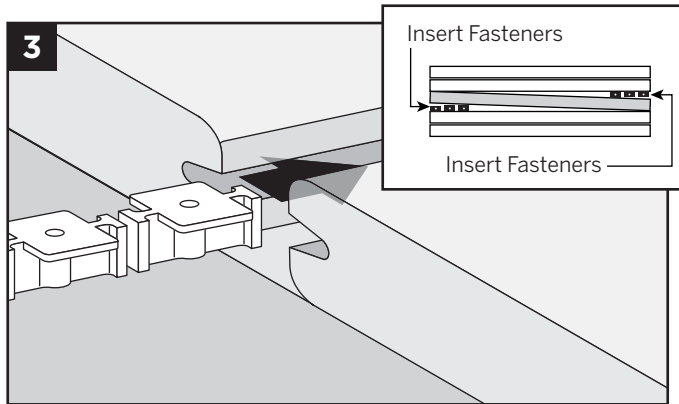
1. Remove screws from fasteners on both sides of board to be replaced and remove board.



2. Angle new board to place. See inset box (above).

HOW TO REPLACE TREX BOARDS/CONTINUED

INSTALLED WITH TREX HIDEAWAY UNIVERSAL FASTENERS (TREX TRANSCEND, ENHANCE, ESCAPES, AND SELECT)



Universal Fasteners

- Slide a fastener for each joist into board grooves from both ends of the board.

NOTE: You may have to loosen adjacent boards to slide fasteners into position.

- Position replacement board and secure fasteners on center of each joist.

HOW TO INSTALL STAIR TREADS

(TREX TRANSCEND, ENHANCE, ESCAPES, ACCENTS, AND SELECT)

Installation Options

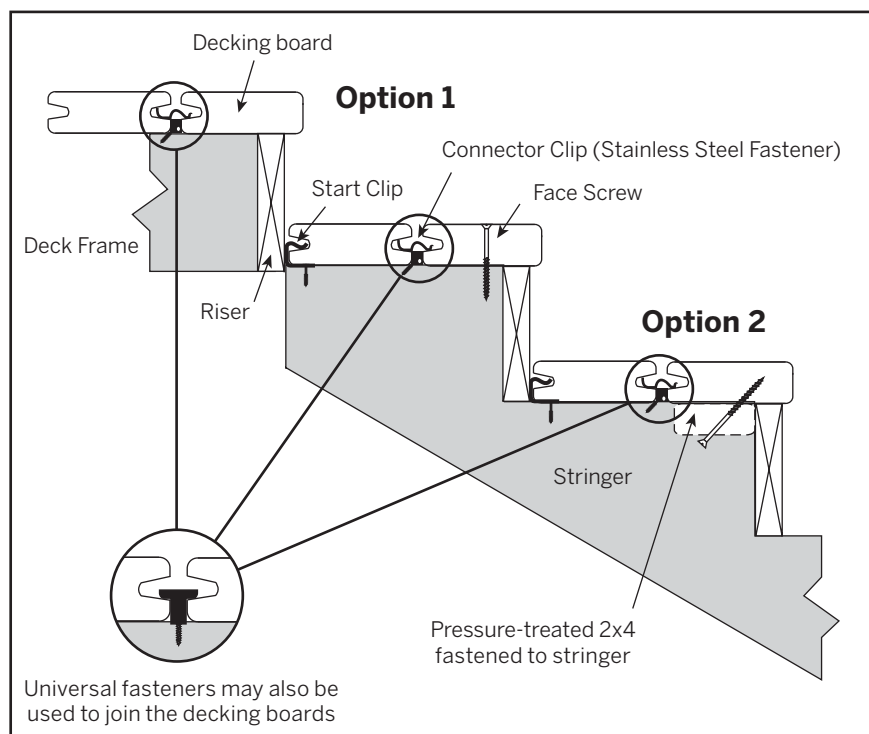
NOTE: For best results, use square edge decking and manually route sides that will be used to attach hidden fasteners.

Option 1: Face Screw

- Install start clips against riser on each step.
- Install first board. *Follow steps on page 34.*
- Install second board. *Follow steps on page 34.*
- Secure with screws from top of second board into stringer boards.

Option 2: Using 2" x 4" (51 mm x 102 mm) Wood Support Blocks

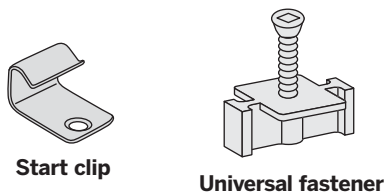
- Install start clips against riser on each stair tread.
- Install first board. *Follow steps on page 34.*
- Attach 2" x 4" (51 mm x 102 mm) blocks between stringers.
- Pre-drill holes up through blocks.
- Install second board. *Follow steps on page 34.*
- Secure with screws from bottom through blocks and into stair treads.



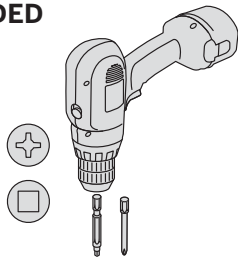
HOW TO INSTALL TREX TRANSCEND PORCH BOARDS

NOTE: When installing Trex Porch boards in a non-covered environment, the porch structure should be slightly sloped to help allow for proper drainage. Joists should be sloped 1/8" (3 mm) per foot away from the house to facilitate drainage. Refer to your local building code official for recommendations BEFORE building substructure. When installing Trex Porch boards under cover of a roof, no slope is required.

PARTS

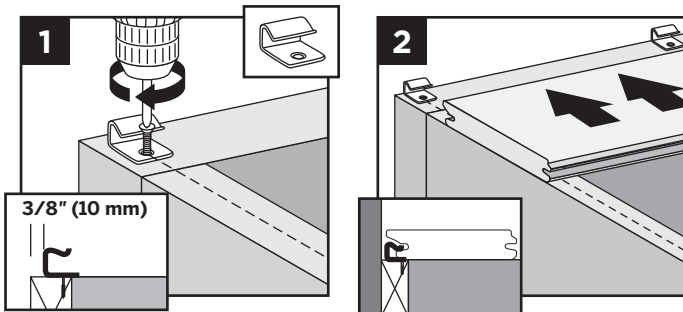


TOOLS NEEDED



NOTE: Refer to page 30 for proper joist spanning requirements.

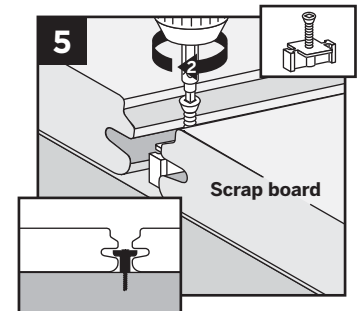
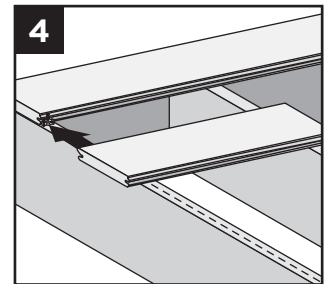
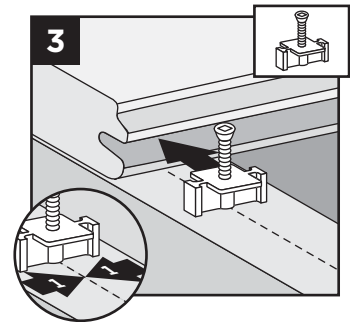
Installing Start Clips and First Porch Board



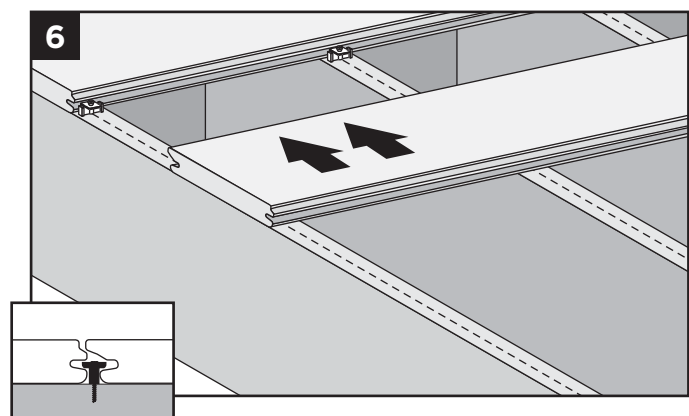
1. Measure 3/8" (10 mm) off of edge of ledger board, and install start clip onto ledger board, centered on each joist. Secure clips with screws.
2. Push grooved edge (longer edge side) of porch floorboard into start clips. **Important:** First board **MUST** be straight and well secured.

Installing Trex Hideaway Universal Hidden Fasteners

3. Insert fastener into grooved edge (shorter edge side) of porch board, making sure to align screw hole in fastener with center of each joist.
4. **IT IS SUGGESTED THAT IN ORDER TO KEEP THE FASTENER STRAIGHT AND SECURE, CUT AN 18" (457 mm) PIECE OF PORCH SCRAP BOARD AND USE THIS AS AN AID (USE SMALLER LIP SIDE) TO HELP HOLD THE HIDDEN FASTENER DOWN BEFORE SCREWING THIS IN.** This will help make sure the fastener stays fully straight for remaining boards to be attached.
5. Fully tighten (but **DO NOT** over tighten) the screw into each joist while keeping the scrap board in firm place against the hidden fastener.



Installing Second Porch Board



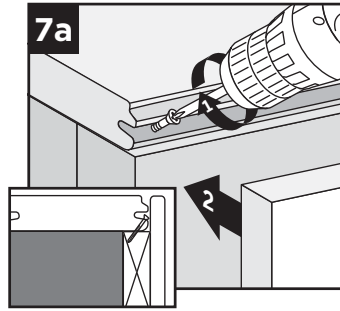
6. Slide second porch board into place, making sure fasteners fit into groove. Install the next universal fastener on the other side of the second porch board in the same manner as Steps 3–5.

HOW TO INSTALL TREX TRANSCEND PORCH BOARDS/CONTINUED

Installing Last Porch board

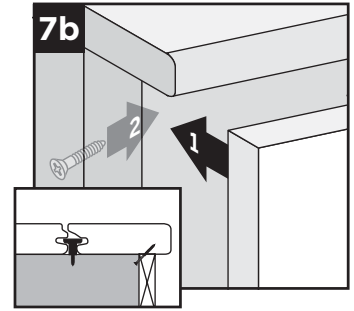
Option 1: Using Fascia Board

7a. Pre-drill pilot holes at an angle through grooved edge of porch board into ledger board. Install 2-1/2" (64 mm) screws through pilot holes to secure. Attach fascia board flush with porch board surface.



Option 2: With Porch Board Overhang

NOTE: This side of porch board will have to be cut flush to not show grooves. Note that color of porch board will be slightly different at cut edge.



7b. Pre-drill pilot holes at 45° angle from below deck surface through rim joist. Seat last porch board into fasteners overhanging rim joist. Secure porch board with 2-1/2" (64 mm) screws using pilot holes. Position fascia board below overhanging porch board.

NOTE: In most cases there will be additional screws that come with the Trex Hideaway Universal Hidden Fasteners. These screws can also be used for attachment of the last board in the method shown above.

HOW TO INSTALL PORCH STAIR TREADS

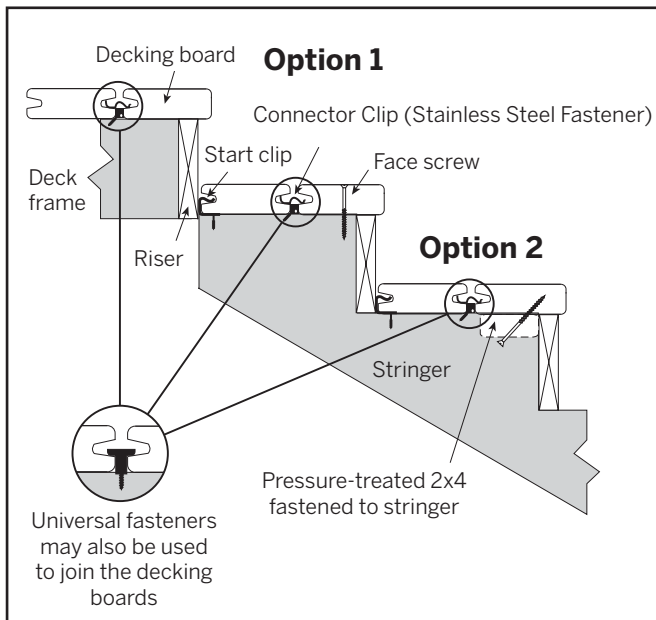
NOTE: Use square edge composite decking boards and manually route these on one side to allow for use with hidden fasteners.

Option 1: Using Hidden Fasteners and Face Screwing

1. Install start clips against riser on each step.
2. Install first board. *Follow steps on page 34.*
3. Install second board. *Follow steps on page 34.*
4. Secure with screws from top of second board into stringer boards.

Option 2: Using Hidden Fasteners and 2" x 4" (51 mm x 102 mm) Wood Support Blocks

1. Install start clips against riser on each stair tread. *Follow steps on page 34.*
2. Install first board. *Follow steps on page 34.*
3. Attach 2" x 4" (51 mm x 102 mm) blocks between stringers.
4. Pre-drill holes up through blocks.
5. Install second board. *Follow steps on page 34.*
6. Secure with screws from bottom through blocks and into stair treads.



LOCATION AND INSTALLATION OF SURFACE MOUNT POST - DECKING

IMPORTANT NOTES:

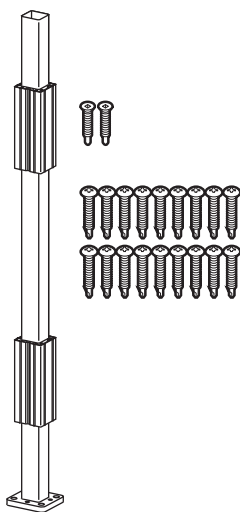
- » **EACH POST MUST BE ATTACHED AS SHOWN TO ENSURE A CODE-COMPLIANT AND SAFE INSTALLATION.**
- » **ALWAYS REFER TO YOUR LOCAL BUILDING CODE OFFICIAL PRIOR TO INSTALLING ANY RAILING SYSTEM TO ENSURE ALL CODE AND SAFETY REQUIREMENTS ARE MET. TREX CANNOT BE HELD RESPONSIBLE FOR IMPROPER OR NON-RECOMMENDED INSTALLATIONS.**
- » **WHEN INSTALLING TREX POST MOUNTS ON ACQ OR CCA SURFACES, USE AN APPROPRIATE ISOLATION BARRIER BETWEEN POST AND SURFACE (CONTACT LOCAL BUILDING CODE OFFICIAL IF NEEDED).**
- » **ENSURE THAT CORRECT SKU HARDWARE IS ORDERED FOR THE TYPE OF RAILING BEING INSTALLED.**
- » **CANNOT BE USED WITH TREX TRANSCEND COCKTAIL RAILING.**

TOOLS AND MATERIALS NEEDED

- » Drill and/or screw gun
- » 1/2" (13 mm) drill bit for wood
- » Blocking – 2" x 8" (51 mm x 203 mm) pressure-treated Southern Yellow Pine or equivalent
- » Qty: 36 (per post) – 3" (76 mm) pressure-treated compatible wood screws

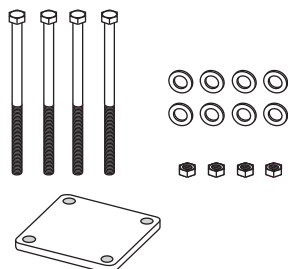
PARTS

- » (1) Post mount
- » (2) Guide blocks
- » (18) #8-15 x 1-1/4" (32 mm) Self-tapping screw
- » (2) 10 x 1" (25 mm) Self-tapping screws



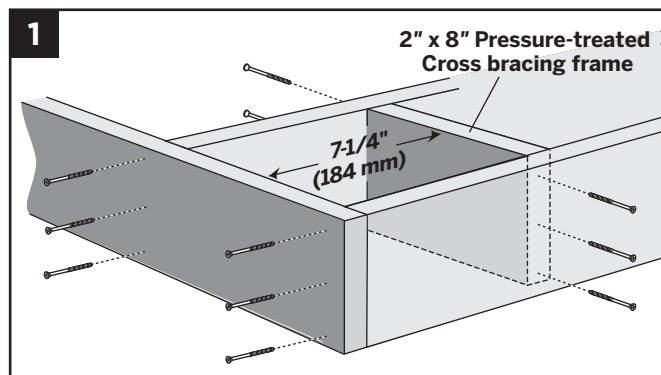
SKU ALPOSTHWDECK (this SKU **SOLD SEPARATELY** and must be used for code-approved applications)

- » (4) 3/8" x 6" (10 mm x 152 mm) Hex cap bolts
- » (1) Back plate
- » (8) Flat washers
- » (4) Hex nuts

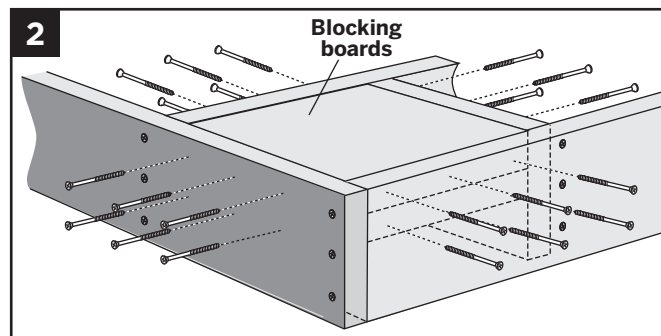


How to Install Post Mounts on Pressure-Treated Wood Framing

Corner Post Installation



1. Install 2" x 8" (51 mm x 203 mm) cross bracing frame in between joists at 7-1/4" (184 mm). Attach a total of 12 – 3" (76 mm) pressure-treated compatible screws (*not provided*).



2. Install two 2" x 8" (51 mm x 203 mm) boards as blocking under post location. Securely attach blocking using a total of 24 – 3" (76 mm) pressure-treated compatible screws (*not provided*).

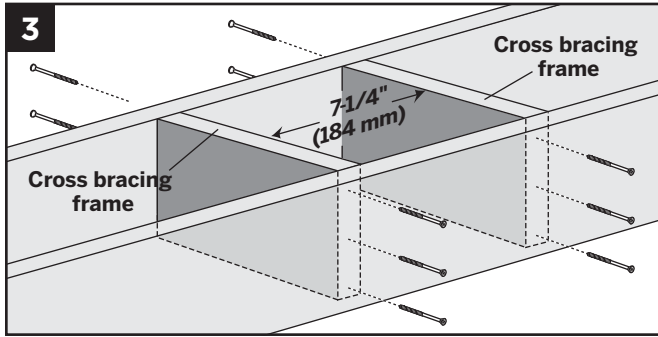
NOTE: TO ENSURE THE BLOCKING IS FULLY SECURE, USE THE AMOUNT OF SCREWS INDICATED ABOVE.

TIP: USE TWO ADDITIONAL SCREWS TO "SANDWICH" BLOCKING BOARDS TOGETHER FOR EASIER ATTACHMENT TO FRAMING.

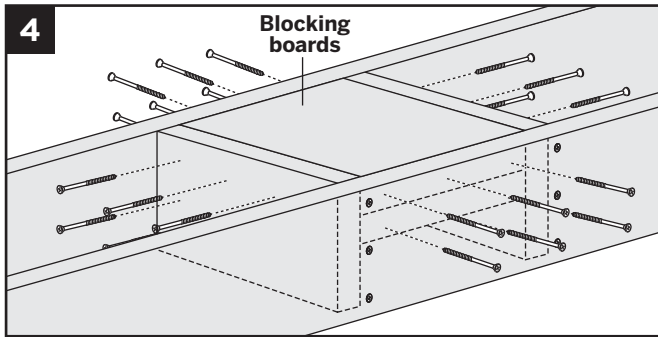


LOCATION AND INSTALLATION OF SURFACE MOUNT POST - DECKING/ CONTINUED

Line Post Installation

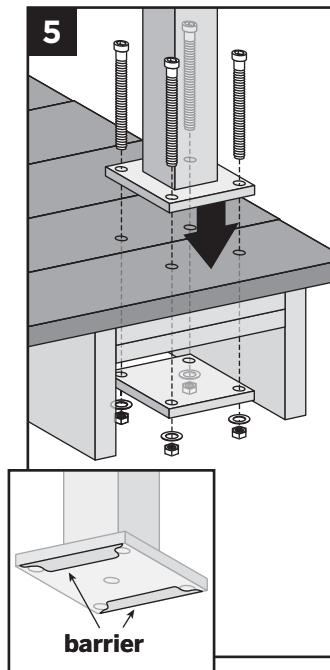


3. Install two 2" x 8" (51 mm x 203 mm) cross bracing frames in-between joists at 7-1/4" (184 mm). Attach a total of 12 – 3" (76 mm) pressure-treated compatible screws (not provided).



4. Install two 2" x 8" (51 mm x 203 mm) boards as blocking under post location. Securely attach blocking using a total of 24 – 3" (76 mm) pressure-treated compatible screws (not provided).
5. **NOTE: RIM JOIST REMOVED TO SHOW PROPER ATTACHMENT OF HARDWARE.**

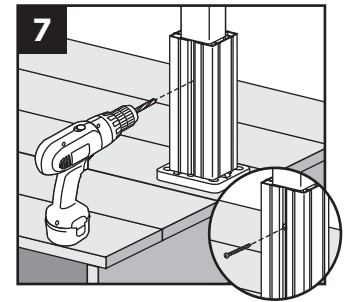
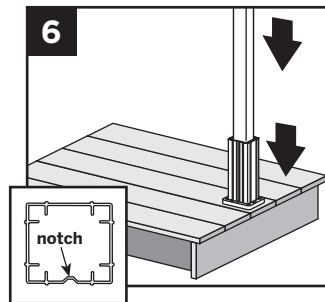
Insert the two (2) stainless steel barrier strips under the mounting bolt holes. Use composite shims or similar material (not provided) if posts are not plumb. Ensure that post is placed on decking surface so that it clears the rim joist and there is enough clearance on the underside blocking for the back plate to be installed.



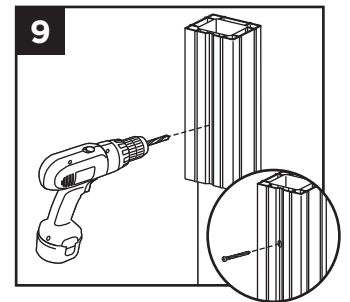
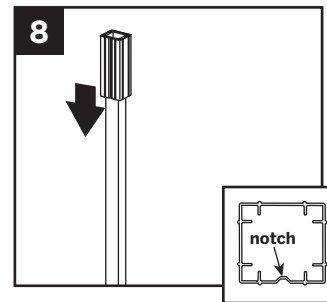
Attach posts using four 3/8" x 6" (10 mm x 152 mm) hex cap bolts, washers, and nuts, along with aluminum back plate on underside of blocking. If the project requires IRC compliance, this back plate be installed under the decking to ensure this will meet code compliance. Reference SKU part number ALPOSTHWDECK for required hardware and aluminum plate. (Consult local code official for more information on IRC Compliance.)

How to Install Guide Blocks

NOTE: Pre-drilling is not required but is optional for attachment of guide blocks to post. Use a drill bit slightly smaller in size than that of screw being installed.



6. Place or rest bottom aluminum guide block on bottom of post. Place guide on post so that notch is on a side that does not require railing to be attached.
7. Attach bottom guide block using one 10 x 1" (25 mm) self-tapping screw (provided) in notch to lock guide block onto post.



8. Location of top guide block will vary slightly based on type and height of railing being installed. Determine this measurement and place top guide block in location where top bracket for desired railing would be approximately on center of the top railing bracket location.
9. Attach top guide block using one 10 x 1" (25 mm) self-tapping screw (provided) in notch to lock guide block onto post.



LOCATION AND INSTALLATION OF SURFACE MOUNT POST - DECKING/ CONTINUED

How to Install Railing System of Choice

NOTES:

- » Quantity of 18 self-tapping screws are provided to cover all types of Trex railing bracket installations (Transcend, Reveal, and Select). Depending on the type railing being installed, you may have screws that are not used.
- » Pre-drilling **IS REQUIRED** when attaching brackets to designated posts. Use a 9/64" (3.6 mm) drill bit to pre-drill at specified locations according to instructions provided with railing kits.
- » If using 6x6 post sleeves, attach designated railing brackets using #8-15 x 1-3/4" (44 mm) 316 stainless steel self-tapping screws (not provided).

NOTE: If installing Trex DeckLighting on the posts, drill hole through support blocks to allow wiring for lights to be below the surface of the decking.

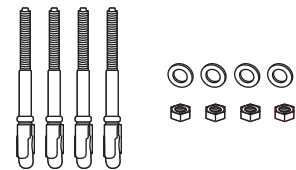
LOCATION AND INSTALLATION OF IRC-APPROVED POST MOUNTS - CONCRETE

IMPORTANT NOTES:

- » **INSTALLATION SHOWN HERE IS FOR IRC APPROVED APPLICATIONS ONLY.**
- » **MAKE SURE CONCRETE IS LEVEL BEFORE INSTALLING POSTS.**
- » **ALWAYS REFER TO YOUR LOCAL BUILDING CODE OFFICIAL PRIOR TO INSTALLING ANY RAILING SYSTEM TO ENSURE ALL CODE AND SAFETY REQUIREMENTS ARE MET. TREX CANNOT BE HELD RESPONSIBLE FOR IMPROPER OR NON-RECOMMENDED INSTALLATIONS.**
- » **CANNOT BE USED WITH TREX TRANSCEND COCKTAIL RAILING.**

SKU ALPOSTHWCONC (this SKU SOLD SEPARATELY)

- » (4) 3/8" x 3-3/4" (10 mm x 95 mm) Expansion anchor
- » (4) Flat washers
- » (4) Hex nuts

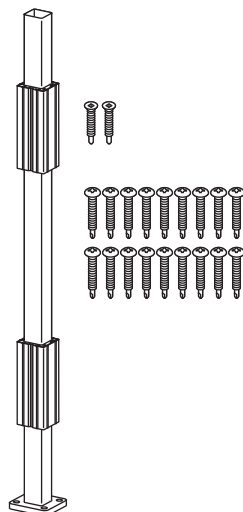


TOOLS NEEDED

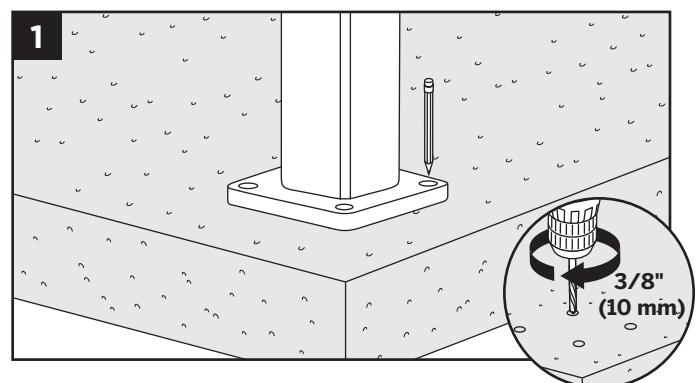
- » Hammer
- » Drill and/or screw gun
- » 3/8" (10 mm) drill bit for concrete

PARTS

- » (1) Post mount
- » (2) Guide blocks
- » (18) #8-15 x 1-1/4" (32 mm) Self-tapping screws
- » (2) 10 x 1" (25 mm) Self-tapping screws



Pre-drill Holes

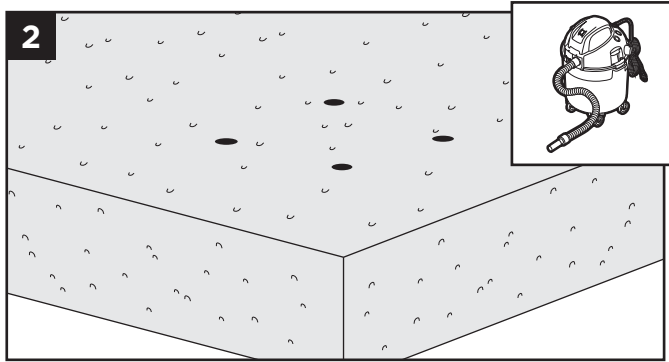


1. Using post as a template, mark locations of the four holes and drill into concrete at least 2-5/8" (67 mm) using a 3/8" (10 mm) masonry bit.

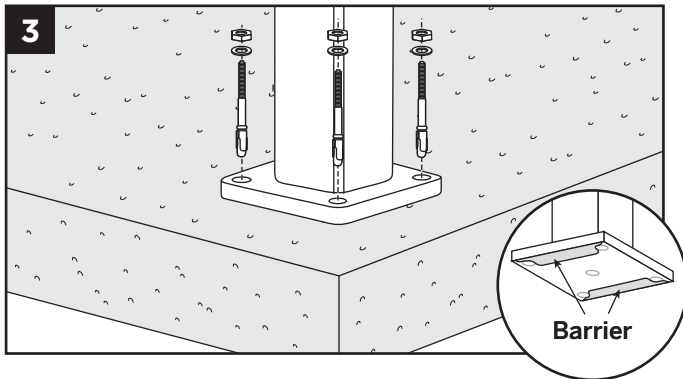
NOTE: You can either set drill bit to correct depth on drill or mark drill bit with tape at required dimension to ensure all holes are drilled at the correct depth.

NOTE: Construction methods are always improving. Please refer to www.trex.com for the most up-to-date installation requirements.

LOCATION AND INSTALLATION OF POST MOUNTS - CONCRETE/CONTINUED



2. Clean out holes to remove all concrete dust.



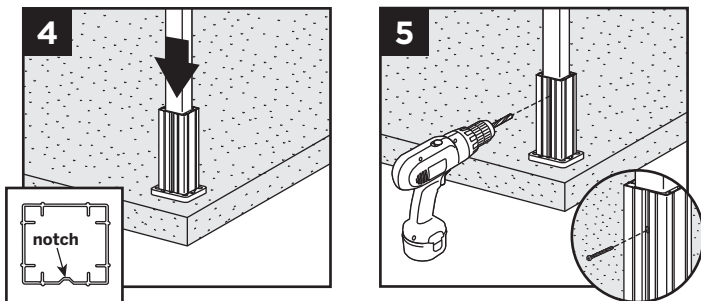
3. Insert the (2) stainless steel barrier stripes under the mounting bolt holes. Use appropriate shims if posts are not plumb. Secure post mount with the four expansion anchors, washers and nuts.

NOTE: When using hammer to tap anchors in place, keep the threaded nut at the top of the anchor in order to not damage the threads.

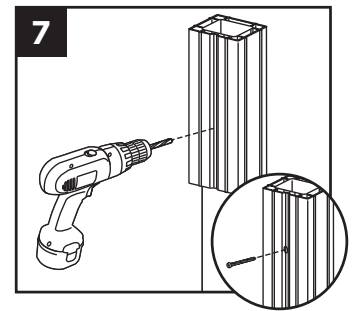
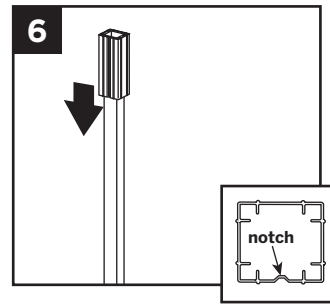
NOTE: Recommended torque for anchors is 20 ft-lbs.

How to Install Guide Blocks

NOTE: Pre-drilling is not required but is optional for attachment of guide blocks to post. Use a drill bit slightly smaller in size than that of screw being installed.



4. Place or rest bottom aluminum guide block on bottom of post. Place guide on post so that notch is on a side that does not require railing to be attached.
5. Attach bottom guide block using one 10 x 1" (25 mm) self-tapping screw (provided) in notch to lock guide block onto post.



6. Location of top guide block will vary slightly based on type and height of railing being installed. Determine this measurement and place top guide block in location where top bracket for desired railing would be approximately on center of the top railing bracket location.
7. Attach top guide block using one 10 x 1" (25 mm) self-tapping screw (provided) in notch to lock guide block onto post.

How to Install Railing System of Choice

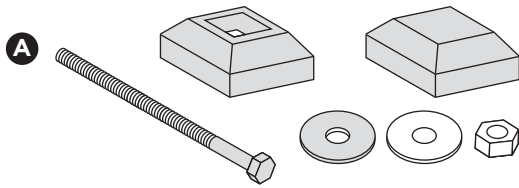
IMPORTANT NOTES:

- » Quantity of 18 self-tapping screws are provided to cover all types of Trex railing bracket installations (Transcend, Reveal, and Select). Thus depending on the type railing being installed, you may have screws that are not used.
- » Pre-drilling IS REQUIRED when attaching brackets to designated posts. Use a 9/64" (36 mm) drill bit to pre-drill at specified locations according to instructions provided with railing kits.
- » If using 6x6 post sleeves, attach designated railing brackets using #8-15 x 1-3/4" (44 mm) 316 stainless steel self-tapping screws (not provided).

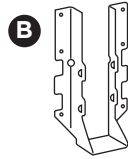
NOTE: If installing Trex lighting on the posts, drill hole through support blocks to allow wiring for lights to be below the surface of the decking.

HOW TO INSTALL JOIST MOUNT POSTS

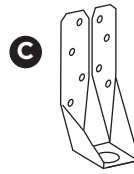
PARTS



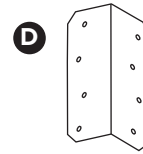
**Trex Bolts (1/2" x 8" [13 mm x 203 mm]),
Post Nuts, Washers, Post Cap and Skirt**



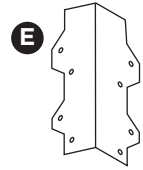
**Simpson
LUS28Z
(or similar)**



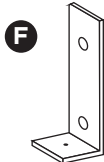
**Simpson
DTT2Z**



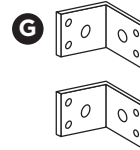
**Simpson
ML26Z
(or similar)**



**Simpson
L70Z
(or similar)**



Trex Fascia Mount Bracket Kit (Wood)

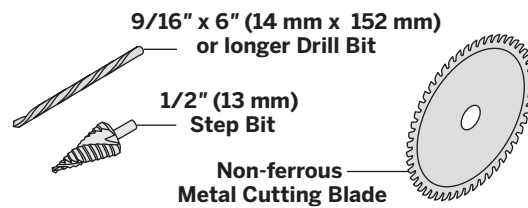


**Trex Fascia Mount Corner Bracket Kit
(Brackets, Bolts, Nuts, Washers, & Screws)**

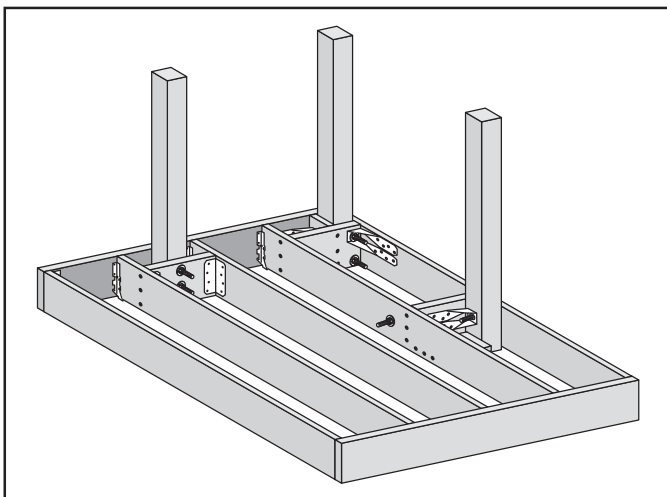
GENERAL GUIDELINES

- » Minimum framing is 2" x 8" (51 mm x 203 mm) (ensure all structural brackets are sized appropriately for framing).
- » Follow all structural bracket manufacturer's guidelines for fastener selection and corrosion protection requirements.
- » Maximum OC framing is 16" (406 mm).
- » This post is designed to cut-to-length and will accommodate up to 42" (1067 mm) stair railing on 2" x 12" (51 mm x 305 mm) framing.
- » Included template works for most, but not all, applications. Review instructions carefully prior to drilling holes.

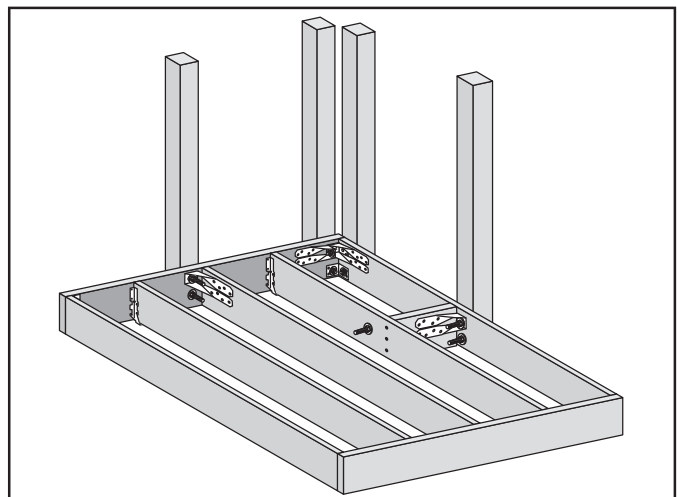
HELPFUL TOOLS



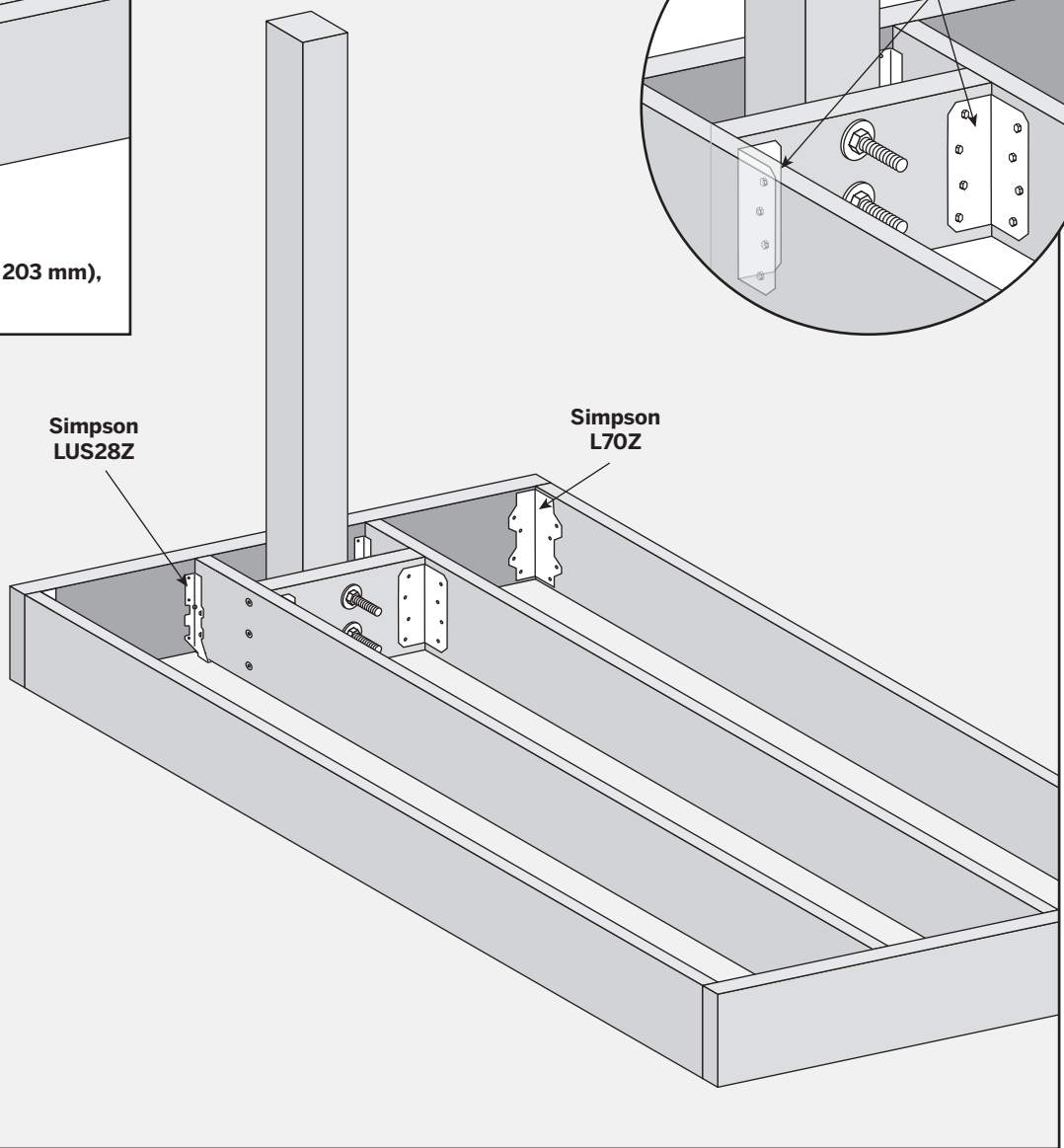
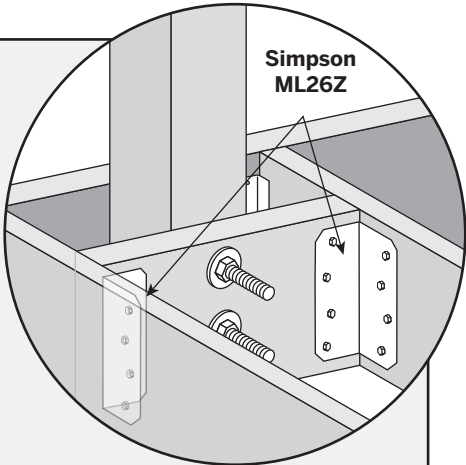
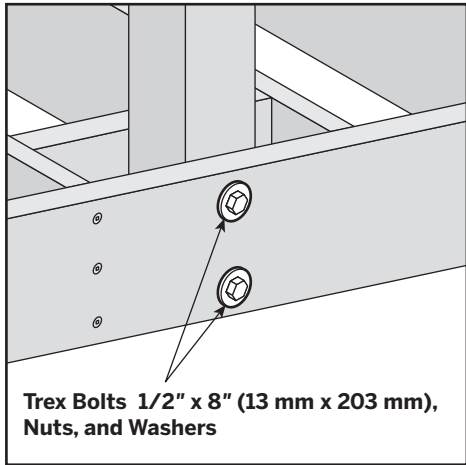
Wood Frame (Inside Mount) Overview



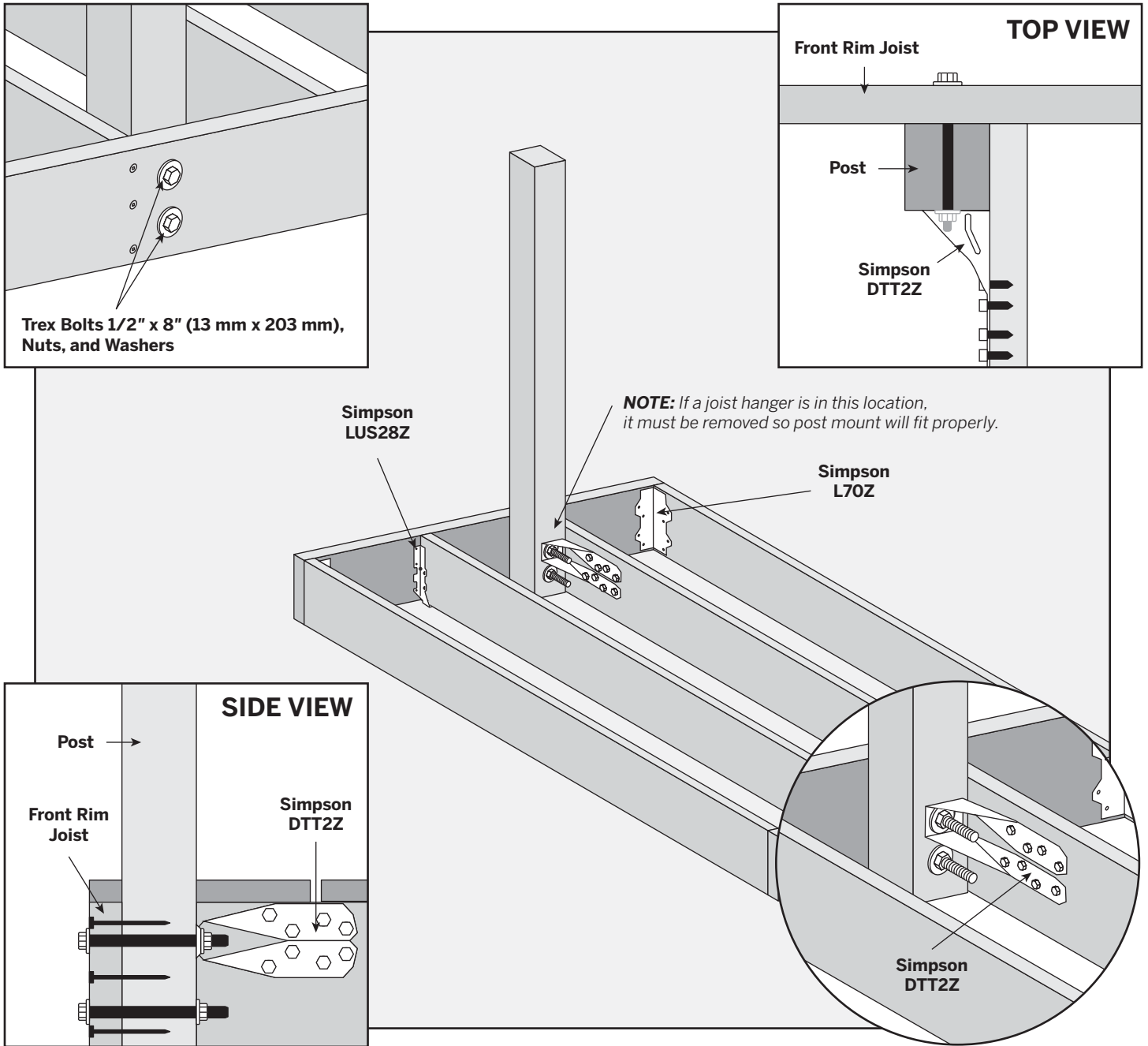
Wood Frame (Fascia Mount) Overview



INSIDE MOUNT (FRONT RIM PLATE - BETWEEN JOISTS WITH BLOCKING)



INSIDE MOUNT (FRONT RIM PLATE - NEXT TO JOIST)



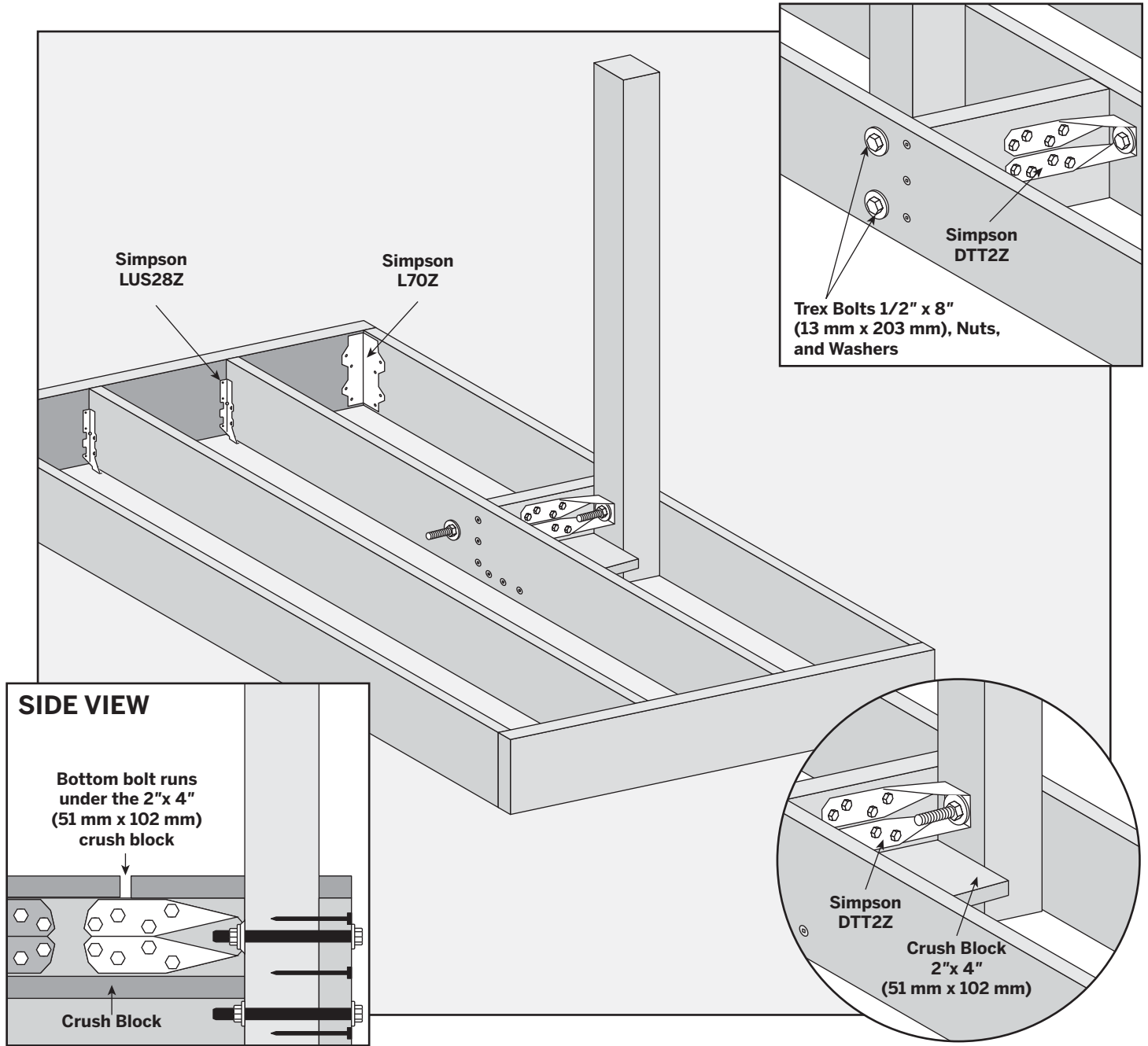
NOTE: Center Trex bolts on post (post is 2.5" [64 mm]).



NOTE: Construction methods are always improving. Please refer to www.trex.com for the most up-to-date installation requirements.

INSIDE MOUNT (SIDE JOIST)

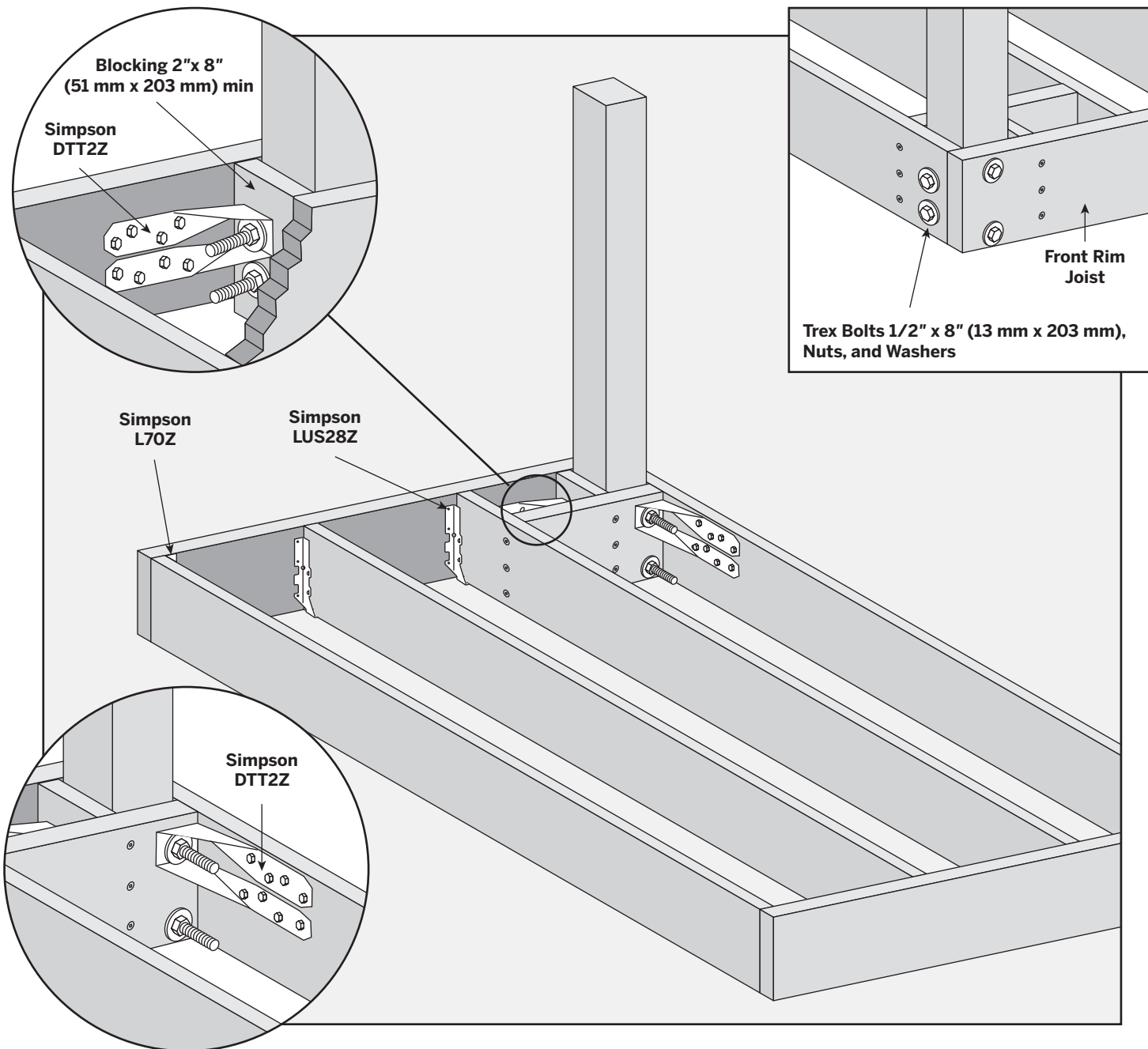
- » TREX SUPPLIES (2) HG 1/2" x 8" (13 mm x 203 mm) BOLTS, NUTS, AND WASHERS.
- » CUSTOMER MUST SUPPLY ADDITIONAL HG 1/2" X 8" (13 mm x 203 mm) BOLTS, NUTS, AND WASHERS.



INSIDE MOUNT (CORNER)

» TREX SUPPLIES (2) HG 1/2" x 8" (13 mm x 203 mm) BOLTS, NUTS, AND WASHERS.

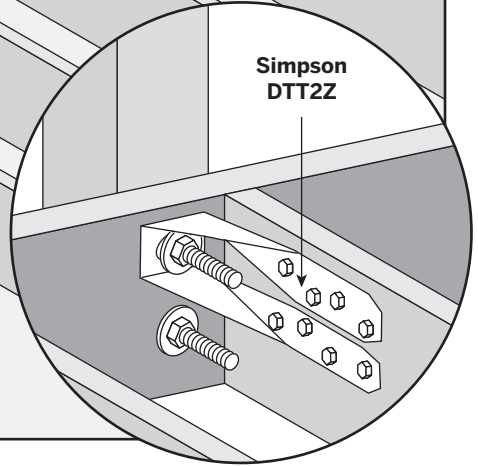
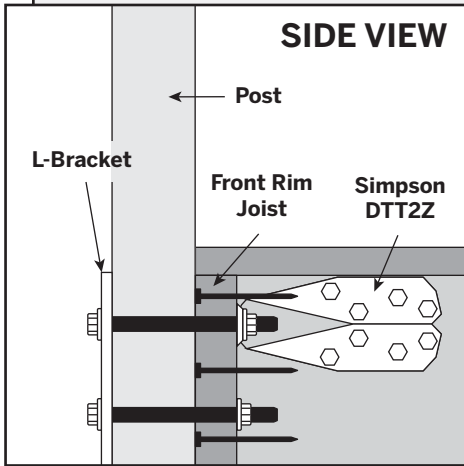
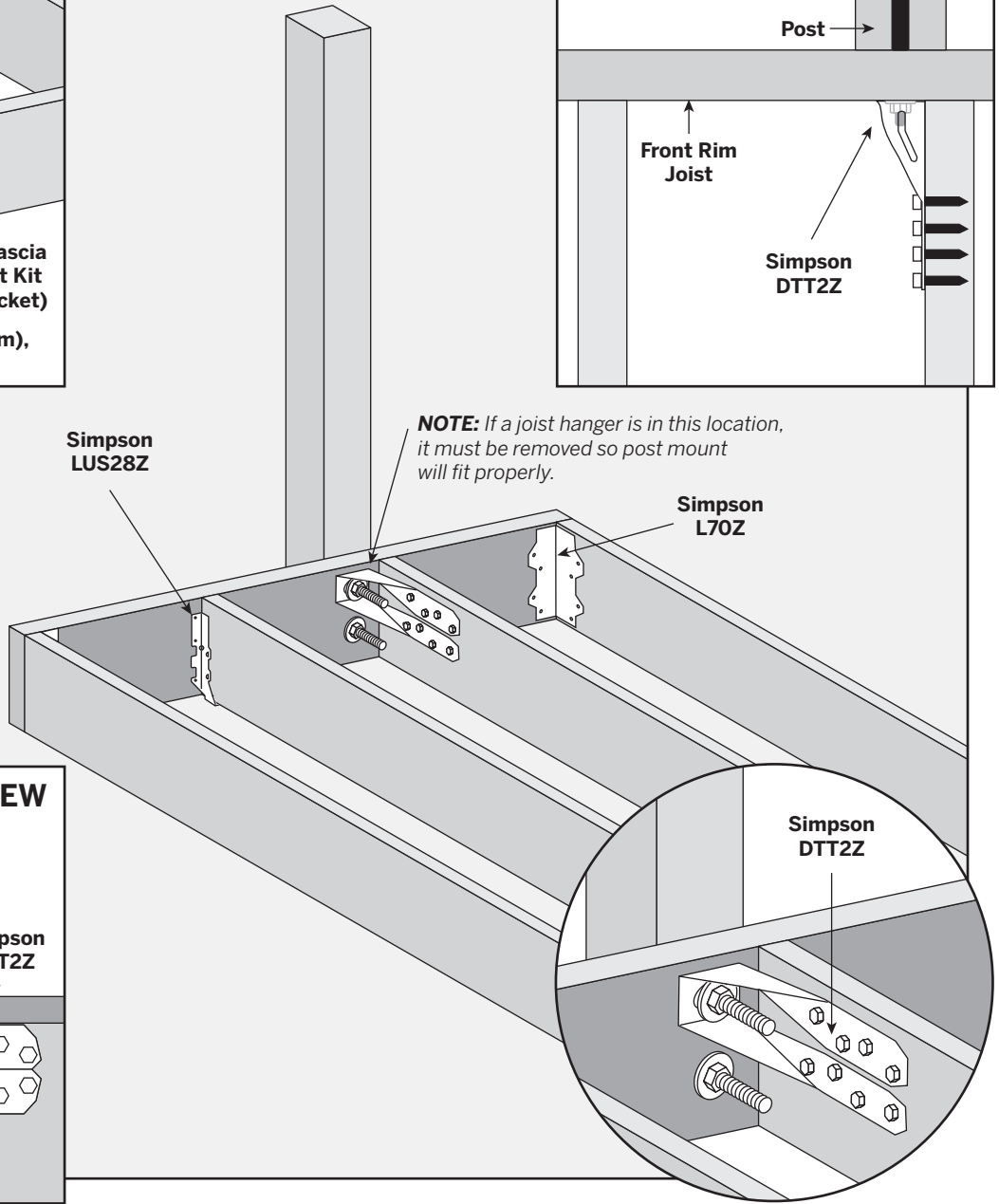
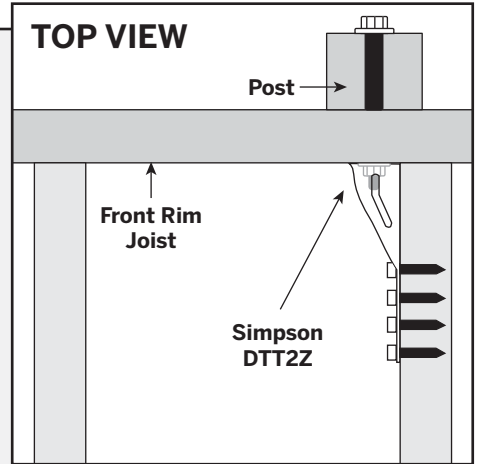
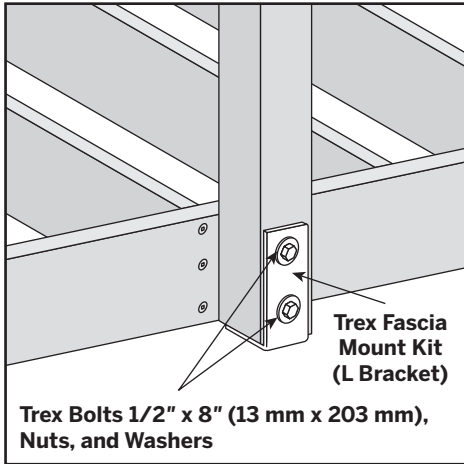
» CUSTOMER MUST SUPPLY ADDITIONAL HG 1/2" X 8" (13 mm x 203 mm) BOLTS, NUTS, AND WASHERS.



NOTE: 1/2" x 8" (13 mm x 203 mm) bolts must be wider (vertically) on front rim and narrower on side joist to avoid contact inside the post.

FASCIA MOUNT (FRONT RIM PLATE - NEXT TO JOIST)

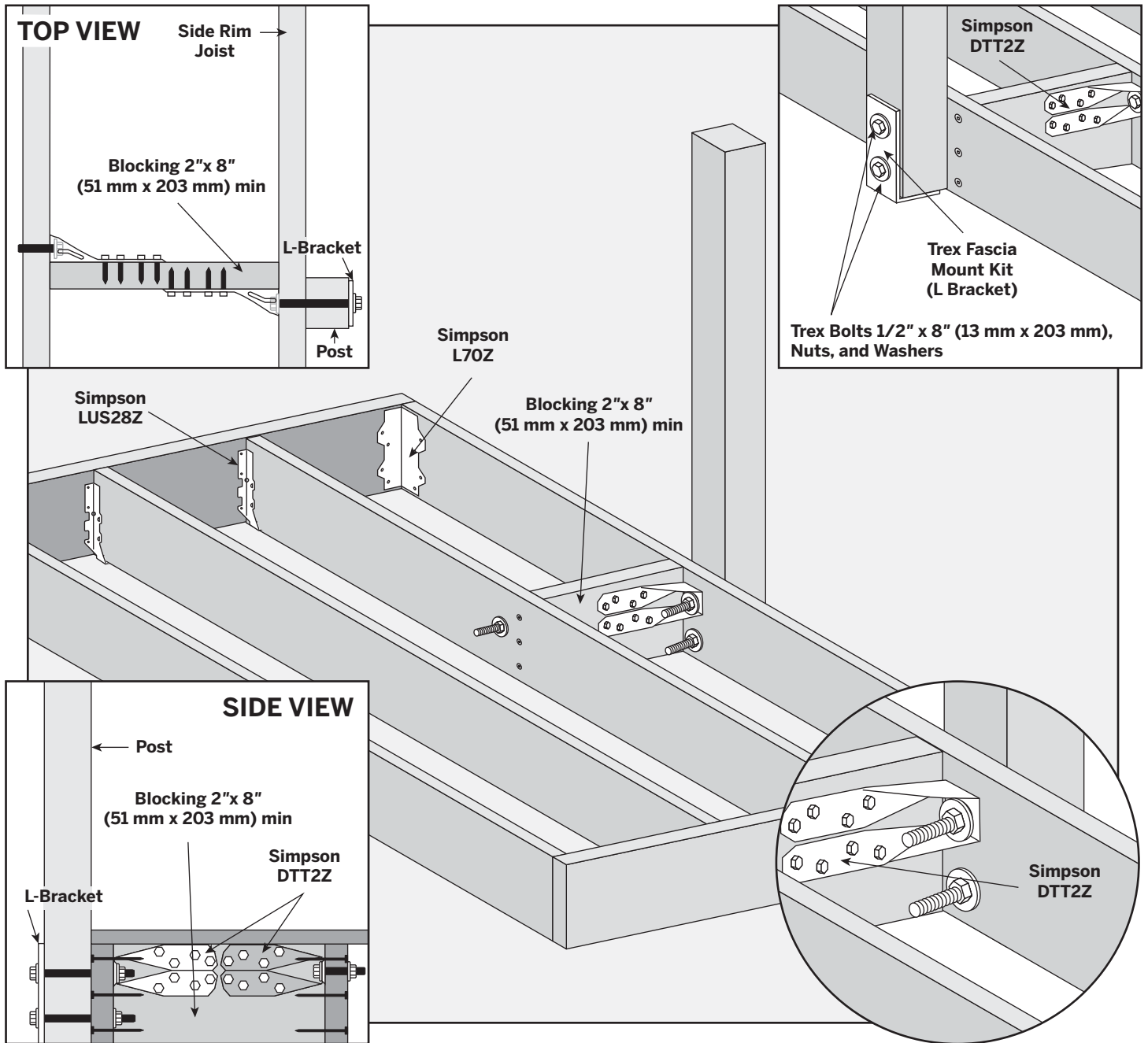
- » TREX SUPPLIES (2) HG 1/2" x 8" (13 mm x 203 mm) BOLTS, NUTS, AND WASHERS.
- » CUSTOMER MUST SUPPLY ADDITIONAL HG 1/2" X 8" (13 mm x 203 mm) BOLTS, NUTS, AND WASHERS.



FASCIA MOUNT (SIDE JOIST - WITH BLOCKING)

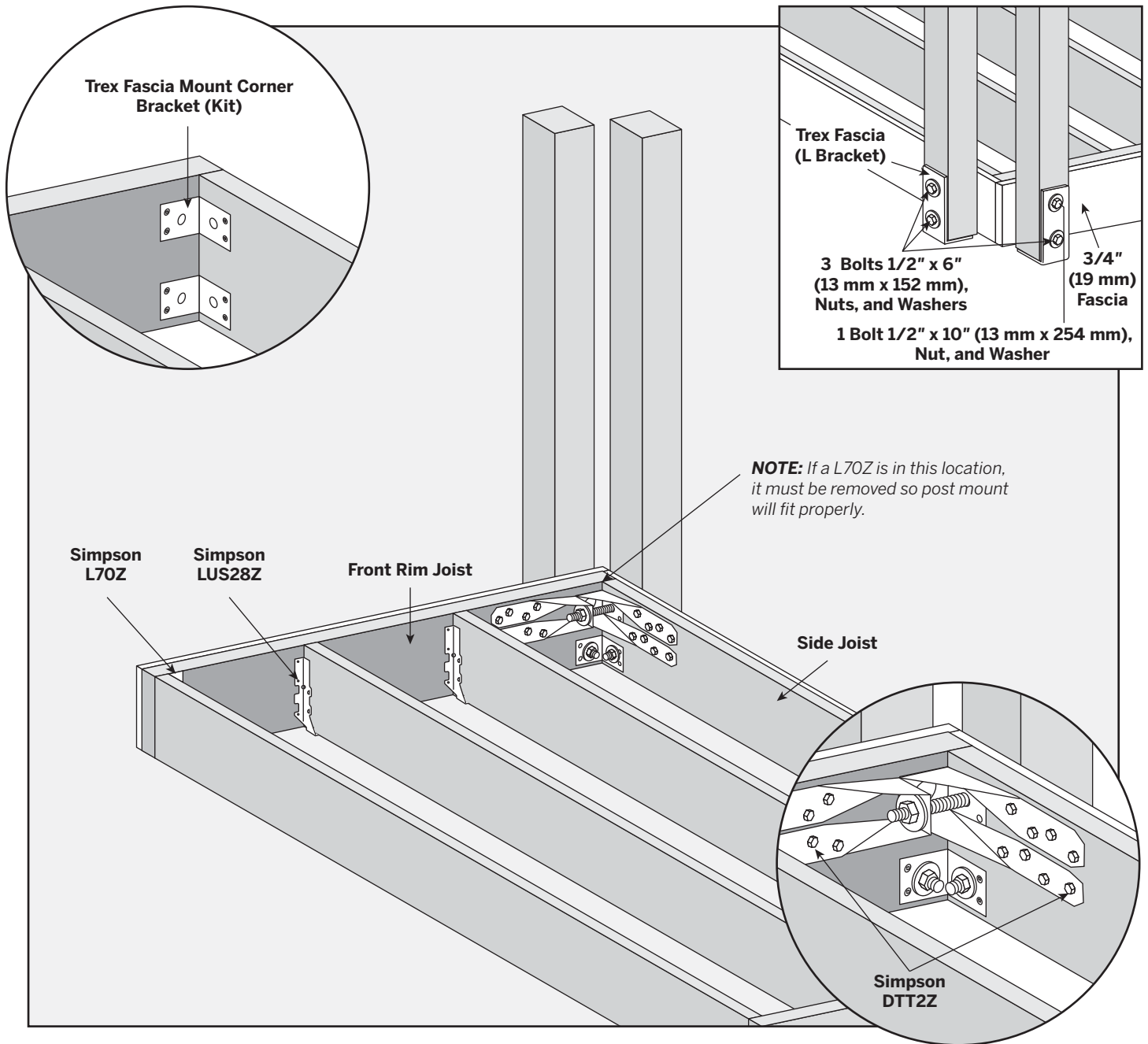
» TREX SUPPLIES (2) HG 1/2" x 8" (13 mm x 203 mm) BOLTS, NUTS, AND WASHERS.

» CUSTOMER MUST SUPPLY ADDITIONAL HG 1/2" X 8" (13 mm x 203 mm) BOLTS, NUTS, AND WASHERS.



FASCIA MOUNT (OUTSIDE FRAME CORNER)

- » 3/4" (19 mm) FASCIA MUST BE USED, OR BOLTS MUST BE CUT DOWN.
- » INSTALL POST TIGHTLY ON RIM JOIST FIRST – NUTS WILL BE INACCESSIBLE LATER.
- » MUST USE TREX FASCIA MOUNT CORNER BRACKET KIT.



1. Install post on rim joist and fully tighten using Simpson DTT2Z on top bolt.
2. Run 10" (254 mm) bolt through gap in existing Simpson DTT2Z and tighten into second DTT2Z.
3. Install bottom bolt.

RAILING



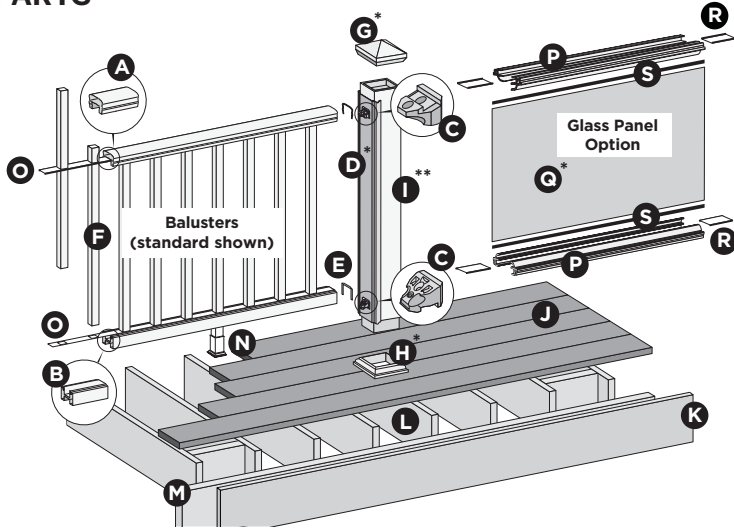
TREX TRANSCEND RAILING

NOTES:

» TREX TRANSCEND RAILINGS ARE DESIGNED TO BE INSTALLED OVER THE DECKING FRAME OR ON INSIDE OF RIM JOIST. NOTCHING OF PRESSURE-TREATED POSTS OR POSTS INSTALLED ON OUTSIDE OF RIM JOIST ARE NOT ALLOWED.

» All Trex Transcend railing lengths are manufactured at ON CENTER dimensions (spanning from center of each post): 67-5/8" (1718 mm) for 6' (1.83 m) on center, and 91-5/8" (2353 mm) for 8' (2.44 m) on center. Note that railings are designed to be slightly longer than required to allow for very slight play in post placement – some minimal trimming may be required. IT IS VERY IMPORTANT TO MEASURE FIRST.

PARTS



- A. Crown or Universal
- B. Universal
- C. Trex railing support bracket (RSB)
- D. TrexExpress™ Railing Assembly Template*
- E. Rail gaskets
- F. Balusters
- G. Post sleeve cap*
- H. Post sleeve skirt*
- I. Post sleeve – 4" x 4" (102 mm x 102 mm) or 6" x 6" (152 mm x 152 mm) post sleeve)**
- J. Trex decking
- K. Trex fascia
- L. Code-approved wood joist – 2" x 8" (51 mm x 203 mm)
- M. Code-approved wood rim joist – 2" x 8" (51 mm x 203 mm) or larger
- N. Adjustable foot block
- O. Baluster spacer

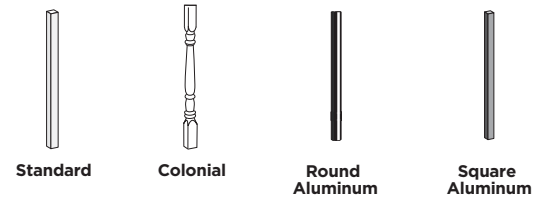
Trex Transcend Glass Panel Parts List

- P. Panel support molding
- Q. Tempered glass panel*
- R. Trex panel support molding spacer
- S. Weatherstripping

* Item not included in the Transcend railing kits.

** Both 4" x 4" (102 mm x 102 mm) and 6" x 6" (152 mm x 152 mm) post sleeves are designed to fit over 4x4 pressure-treated post.

BALUSTER OPTIONS



NOTE: Pictorial representations shown may only show one style of railing, while others may also be used. Review detailed instructions to determine what railing styles and combinations can be used.

DETERMINING BALUSTERS NEEDED

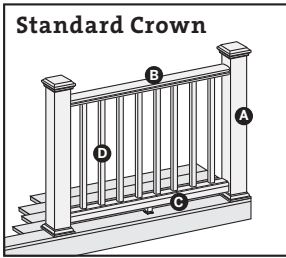
Baluster Type	Per 6' OC Section	Per 8' OC Section
Square and Colonial (Horizontal Application)	13	18
Square and Colonial (Stair Application)	11	15
Round/Square Aluminum (Horizontal Application)	15	20
Round/Square Aluminum (Stair Application)	12	16

NOTE: Basic installation for balusters is the same for all options. When using round or square aluminum balusters, use correct baluster spacers.

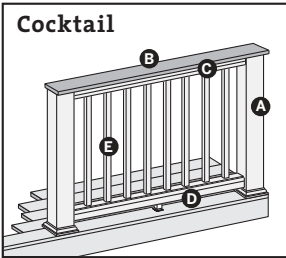
NOTE: If installing 42" (1067 mm) railing, use longer post sleeves and measure accordingly to ensure a proper cut. **DO NOT CUT TO ACTUAL 42" LENGTH WITHOUT CONFIRMING WHAT STYLE OF RAILING YOU ARE INSTALLING.**

NOTE: If using post mounts, refer to detailed instructions provided with post mounts for attaching these prior to installation of any railing type.

TREX TRANSCEND RAILING CONFIGURATIONS

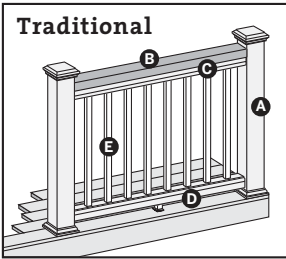


- Cutting post sleeves is **NOT** required.
- A. Pressure-treated post or Trex post mounts with Trex Transcend post sleeve
 - B. Crown rail
 - C. Universal bottom
 - D. Trex balusters
- See page 54 for "How to Install Standard Railing".

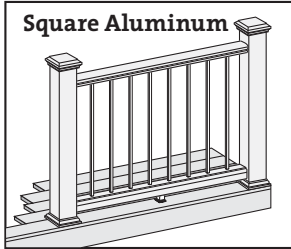
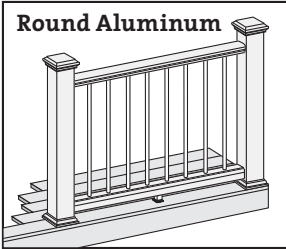


- Post sleeves **WILL NEED TO BE CUT.**
- A. Pressure-treated post with Trex Transcend post sleeve
 - NOTE:** » Only for use with 4" x 4" (102 mm x 102 mm) post sleeve.
» Trex post mounts cannot be used with Transcend cocktail design.
 - B. Deck board top rail. **NOTE:** Contour and Escapes cannot be used.
 - C. Universal top rail
 - D. Universal bottom
 - E. Trex balusters
- See page 56 for "How to Install Cocktail Railing".

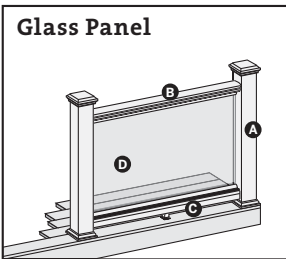
POST SLEEVES WILL NEED TO BE CUT



- Cutting post sleeves is **NOT** required.
- A. Pressure-treated post or Trex post mounts with Trex Transcend post sleeve
 - B. 2" x 4" (51 mm x 102 mm) lateral top rail
 - C. Universal top rail
 - D. Universal bottom
 - E. Trex balusters
- See page 57 for "How to Install Traditional Railing".

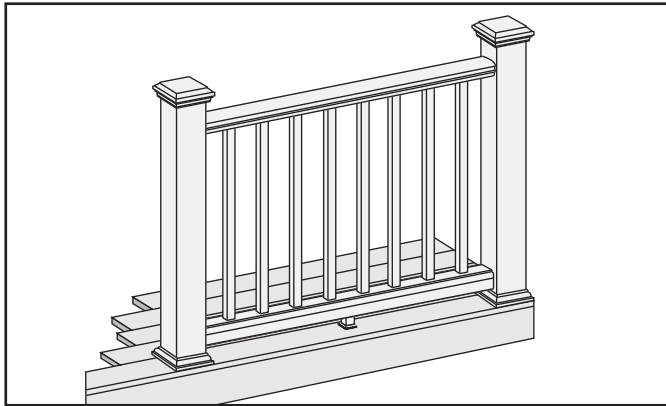


- » Follow desired railing style instructions found above, substituting correct baluster spacer for type of baluster being used.
- » Refer to detailed instructions for added steps when using round and square aluminum balusters. See page 58.



- Cutting post sleeves is **NOT** required.
- A. Pressure-treated post with Trex Transcend post sleeve or Trex post mounts.**
 - B. Crown rail (use universal rail if building cocktail or traditional design with glass inserts)
 - C. Universal bottom
 - D. Tempered glass panel (**NOT** included in kit)
- See page 59 for "How to Install Standard Glass Panel Railing", page 60 for "How to Install Cocktail Style Glass Panel Railing" (**NOTE: Trex Post Mounts cannot be used with this railing configuration), and page 62 for "How to Install Traditional Style Glass Panel Railing".
- NOTE:** Glass panels are **NOT** recommended in stair applications.

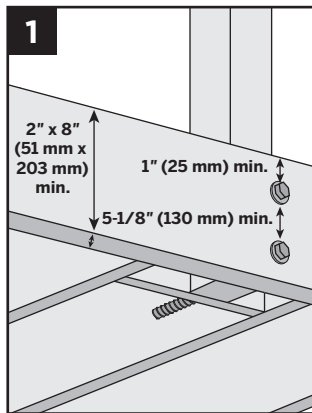
HOW TO INSTALL STANDARD RAILING TREX TRANSCEND



Read all instructions BEFORE installation.
Important: Post sleeves are **NOT** to be cut for this design style.

Installing Pressure-Treated Posts

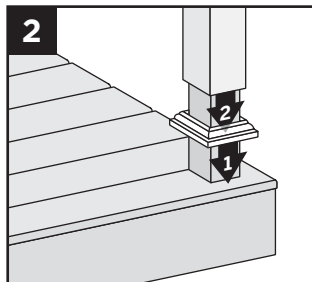
- » Posts are to be installed **6' (1.83 m) or 8' (2.44 m) on center to accommodate appropriate railing length.**
- » Attach posts using 1/2" (130 mm) carriage bolts.
- » Minimum joist size is 2" x 8" (51 mm x 203 mm).
- » Top bolts must be 1" (25 mm) from tops of joists.
- » Bottom bolts must be 5-1/8" (130 mm) from top bolts.



NOTE: Blocking can be added for extra strength.

Installing Post Sleeve Skirts and Post Sleeves

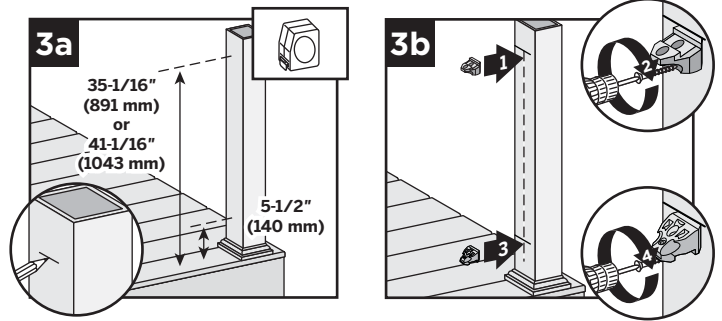
2. Slide post sleeve skirt over post and down to rest on decking surface. Slide post sleeve over post and position inside post sleeve skirt.



NOTE: Shims can be used to plumb post sleeves.

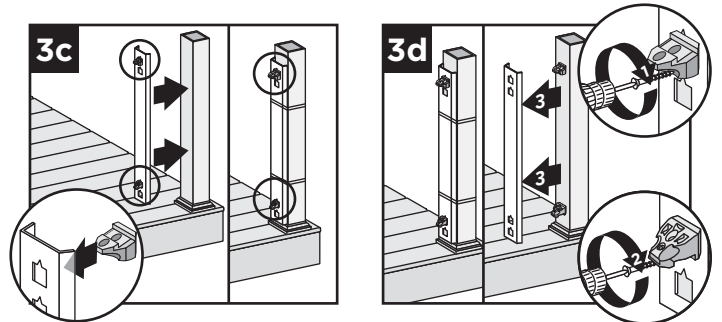
Installing Railing Support Brackets (RSBs)

Option 1: Without TrexExpress railing template



- 3a. Mark 5-1/2" (140 mm) and 35-1/16" (891 mm) from deck surface **OR** for 42" (1067 mm) height, mark 5-1/2" (140 mm) and 41-1/16" (1043 mm) from the deck surface.
- 3b. Place RSBs directly under marks, center on posts, and secure with 2" (51 mm) wood screws (provided with post sleeve). **Place top RSBs flat side UP, bottom RSBs flat side DOWN.**

Option 2: With TrexExpress railing template



- 3c. Place RSBs in template. **Place top RSBs flat side UP, bottom RSBs flat side DOWN.** Secure template on post with tape or rubber band, with bottom of template resting on post skirt.
- 3d. Secure RSBs with 2" (51 mm) wood screws (provided in railing kit) and remove template.

NOTES: Special steps are necessary when using 6" x 6" (152 mm x 152 mm) plastic TrexExpress template.

- » Cut off 1/2" (13 mm) from the bottom (blue arrows up) of the tool **BEFORE** first use.
- » Position top RSBs **ONLY**, 6" (152 mm) higher for 42" (1067 mm) rail height.
- » Secure RSBs with 2-1/2" (64 mm) wood screws (provided with post sleeve) and remove template.

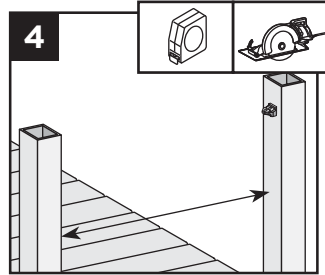


HOW TO INSTALL STANDARD RAILING/CONTINUED

TREX TRANSCEND

Cutting Railings

4. Measure between posts and cut rails to same length.



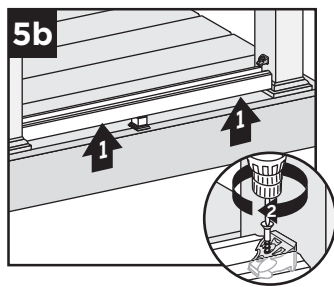
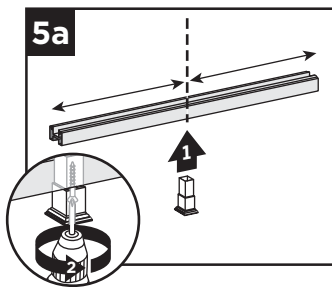
NOTES:

- » If using optional rail gaskets, subtract 1/16" (1.5 mm) from each end.
- » Attach baluster spacers to railing before cutting to allow for cleaner cut and less work.
- » When measuring, cut equal lengths from each side of railing and baluster spacer to ensure equal spacing of balusters per each railing section.
- » In some cases, the gasket can be attached before tightening railing to RSB.
- » If gaskets are tight, use a small flat head screwdriver to compress tabs of gasket if they are stuck outside rail.

Attaching Bottom Rail (Universal Rail), Adding Weep Holes, and Foot Block

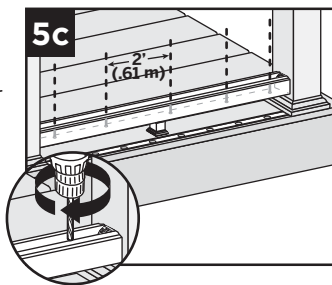
NOTE:

- » **FOOT BLOCKS COME WITH SPECIFIC INSTRUCTIONS ON HOW TO ATTACH THESE TO RAILINGS—ALSO REFER TO THESE INSTRUCTIONS AS WELL.**



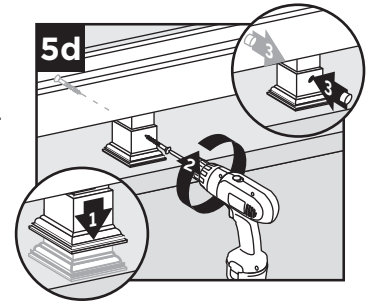
- 5a. Center foot block in universal rail channel or on bottom rail and attach. **DO NOT** extend foot block.
- 5b. Lift bottom rail so RSBs are in the channel and attach with self-tapping screws (*provided*).

- 5c. Center and drill 5/16" (8 mm) weep holes through bottom rail channel to allow for water drainage. Holes should be placed between first two balusters on each side and approx. 2' (610 mm) spans along length of rail.

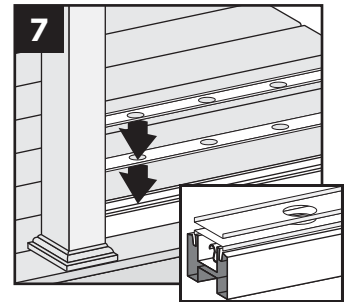
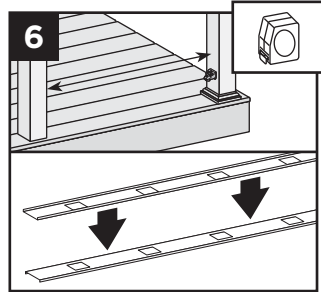


NOTE: To determine weep hole locations, temporarily place lower baluster spacer beside lower rail and mark inside of channel in locations accordingly.

- 5d. Telescope foot block down and screw through opposite sides. Place screw plugs.

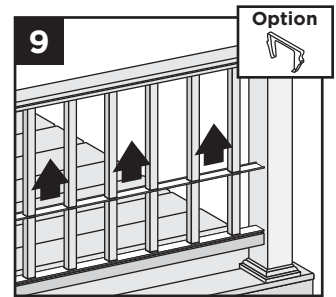
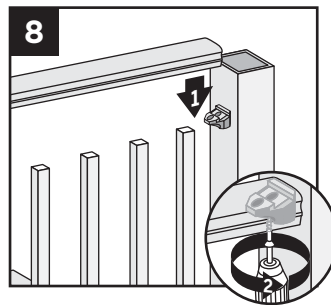


Placing Baluster Spacers and Balusters



6. Cut baluster spacers the same length as rails, equally spaced so holes line up.
7. Snap baluster spacer into bottom rail. Place inverted baluster spacer on top of first baluster spacer. Place balusters in baluster spacer holes.

Attaching Top Rail – Crown Rail

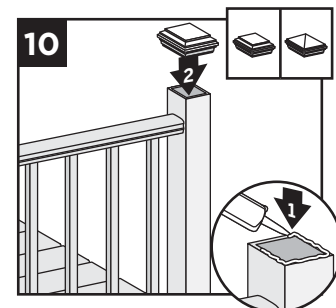


8. Place crown rail on RSBs with balusters in rail channels. Attach top rail to RSB with two self-tapping screws (*provided*).
9. Slide baluster spacer up and snap into top rail. Place optional top rail gaskets on each end of rail.

Attaching Post Caps

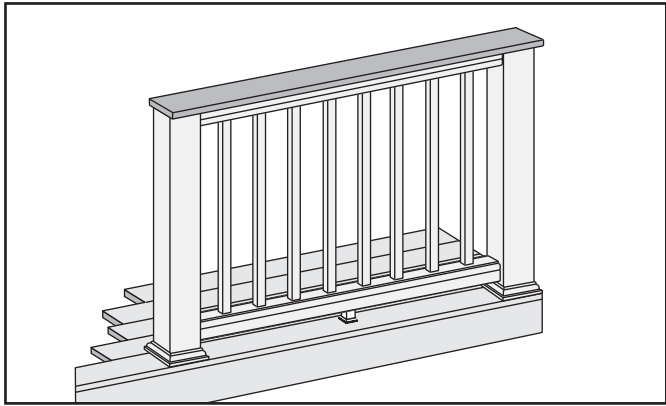
10. Secure post caps with silicone or PVC adhesive.

NOTE: Clean-up any excess adhesive before drying.



HOW TO INSTALL COCKTAIL RAILING

TREX TRANSCEND



Important: ONLY use with 4" x 4" (102 mm x 102 mm) post and post sleeve. Cutting post and post sleeve **ONLY** apply to the Cocktail style railing.

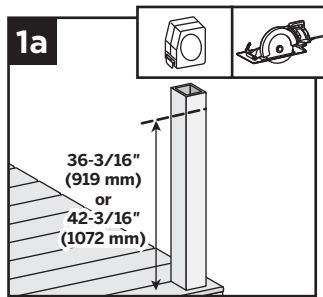
1. Installing Pressure-Treated Posts

See instructions on page 54.

Cutting Post and Post Sleeve

1a. Mark and cut post and post sleeve measuring from deck surface:

- » 36-3/16" (919 mm) for 36" (914 mm) height.
- » 42-3/16" (1072 mm) for 42" (1067 mm) height.



2. Installing Post Sleeve Skirts and Post Sleeves

See instructions on page 54.

3. Installing Railing Support Brackets (RSBs)

See instructions on page 54.

4. Cutting Railings

See instructions on page 55.

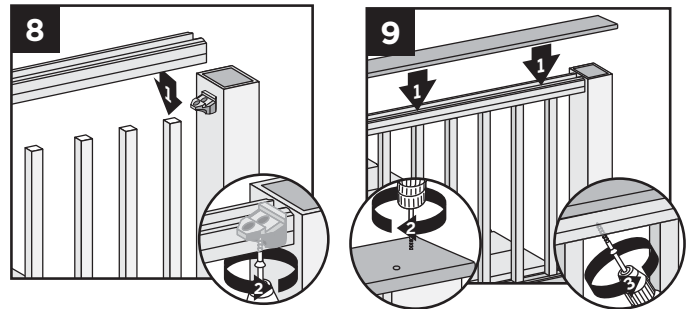
5. Attaching Bottom Rail (Universal Rail), Adding Weep Holes, and Foot Block

See instructions on page 55.

6-7. Placing Baluster Spacers and Balusters

See instructions on page 55.

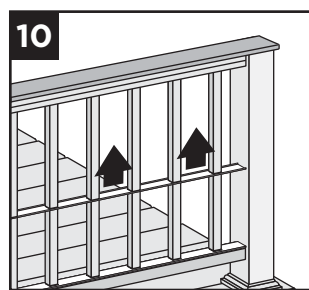
Attaching Inverted Universal Rail as Top Rail



8. Place inverted universal rail onto RSBs with balusters in channel. Attach universal rail to RSBs with two self-tapping screws (*provided*).
9. Place deck boards (**DO NOT** use *Escapes deck boards for top rail*) over universal rails. Attach boards on each post with Trex-recommended composite screws (quantity of 2 per each board end). Secure boards to universal rails from underside of railing into bottom of decking board, with 2" (51 mm) pan-head screws (*not provided*) at an angle every 16" (406 mm) on center.

IMPORTANT NOTES:

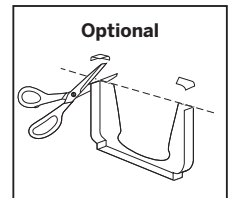
- » If using *Select decking*, **USE** maximum length 1-3/4" (44 mm) screw and **NOT** 2" (51 mm) screw.
- » Screws that are used for attachment of decking board to railing **MUST** be attached at angle to prevent screw from penetrating through the top of decking board.



10. Slide baluster spacers up and snap into universal rails.

NOTE: If necessary, cut tips off rail gaskets prior to installation.

11. Use scarf cut for posts where two deck boards meet.

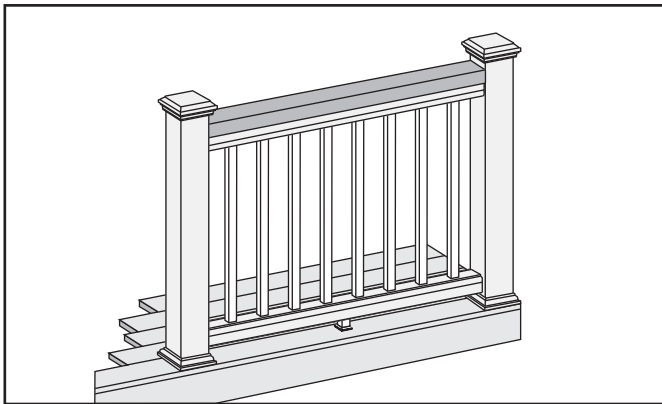


NOTES:

- » If installing in weather below 40°F (4.5°C), leave 1/8" (3 mm) gap between deck boards.
- » Deck boards can overhang end of last post maximum 1/2" (13 mm).

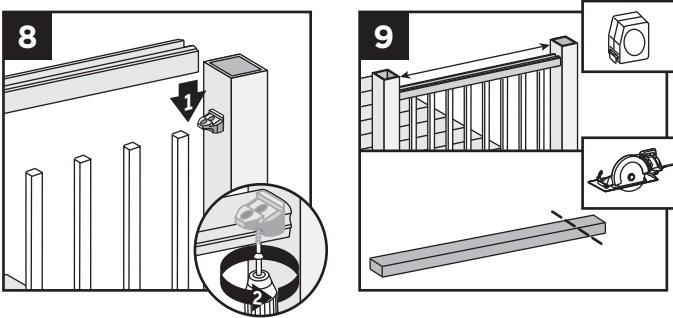
HOW TO INSTALL TRADITIONAL RAILING

TREX TRANSCEND



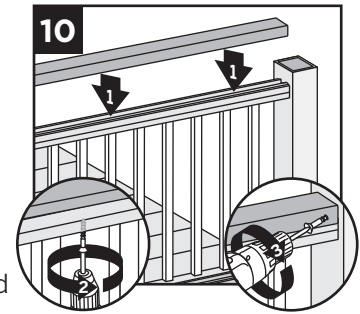
1. **Installing Pressure-Treated Posts**
See instructions on page 54.
2. **Installing Post Sleeve Skirts and Post Sleeves** *See instructions on page 54.*
3. **Installing Railing Support Brackets (RSBs)**
See instructions on page 54.
4. **Cutting Railings**
See instructions on page 55.
5. **Attaching Bottom Rail (Universal Rail), Adding Weep Holes, and Foot Block**
See instructions on page 55.
- 6-7. **Placing Baluster Spacers and Balusters**
See instructions on page 55.

Attaching Inverted Universal Rail as Top Rail

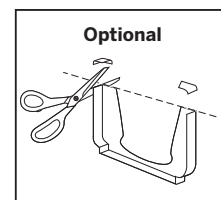
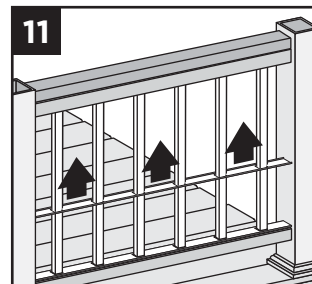


8. Place inverted universal rail onto RSBs with balusters in channel. Attach universal rail with two self-tapping screws (*provided*).
9. Measure between posts and cut 2" x 4" (51 mm x 102 mm) to length.

10. Place 2" x 4" (51 mm x 102 mm) on universal rail. Attach board to rail with 2" (51 mm) pan-head screws (*not provided*) every 16" (406 mm) on center.



Pre-drill a pilot hole and toenail 2-1/2" (64 mm) screw at each end of 2" x 4" (51 mm x 102 mm) into post on back side of rail (side not facing decking).



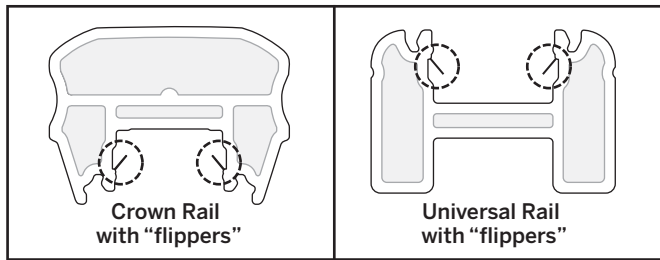
11. Slide baluster spacer up and snap into universal rail.

NOTE: If necessary, cut tips off rail gaskets prior to installation.

12. **Attaching Post Caps**
See instructions on page 55.

HOW TO INSTALL ROUND OR SQUARE ALUMINUM BALUSTERS

TREX TRANSCEND



NOTE: Older style crown and universal rails have "flippers" on the inside of the channels. Using **EXTREME CAUTION**, remove/cut these flippers on each side to allow for the fit of the aluminum baluster adaptor strip.

1. Installing Pressure-Treated Posts

See instructions on page 54.

2. Installing Post Sleeve Skirts and Post Sleeves

See instructions on page 54.

3. Installing Railing Support Brackets (RSBs)

See instructions on page 54.

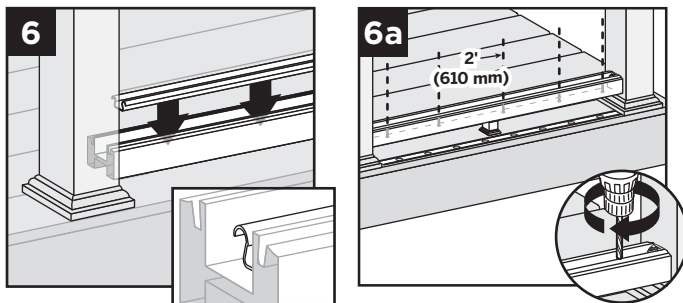
4. Cutting Railings

See instructions on page 55.

5. Attaching Bottom Rail (Universal Rail) and Foot Block

See instructions on page 55.

Installing Aluminum Baluster Adaptor Strip and Baluster Spacers

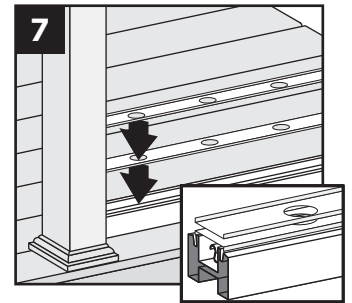


6. After bottom rail is fully installed, place aluminum baluster adaptor strip into channel of bottom rail, ensuring that it's fully seated into the channel. When rail lengths are non-standard, the baluster adaptor strip will need to be cut 2-1/2" (64 mm) shorter than the rail to allow clearance for the RSB's on each end.

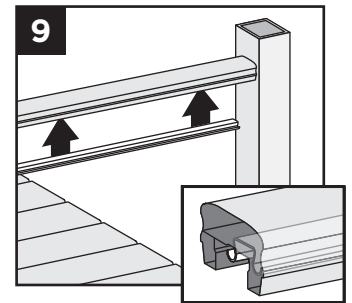
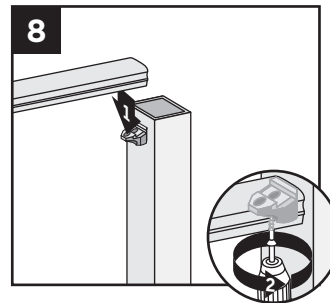
6a. Center and drill 5/16" (8 mm) weep holes through bottom rail channel and adaptor strip to allow for water drainage. Holes should be placed between first two balusters on each side and approx. 2' (610 mm) spans along length of rail.

NOTE: To determine weep hole locations, temporarily place lower baluster spacer beside lower rail and mark inside of channel in locations accordingly.

7. Snap baluster spacer into bottom rail. Place inverted baluster spacer on top of first baluster spacer.



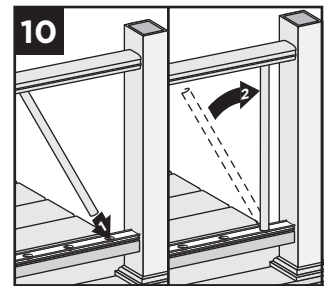
Attaching Top Rail, Aluminum Baluster Adaptor Strip, and Balusters and Bottom Baluster Spacer



8. Place crown or rail on RSBs with balusters in rail channels. Attach top rail to RSB with two self-tapping screws (provided).

9. After top rail is fully installed, place aluminum baluster adaptor strip into channel of top rail, ensuring that it's fully seated into the channel.

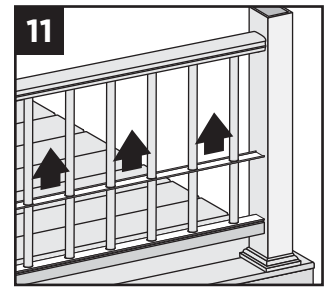
10. Working at slight angle, press baluster through both baluster spacers and into bottom aluminum baluster adaptor strip, ensuring balusters are tight. Once balusters are seated into aluminum baluster adaptor strip of bottom rail, maneuver baluster into upper rail aluminum baluster adaptor strip. Some force will be needed to press balusters into place and level these.



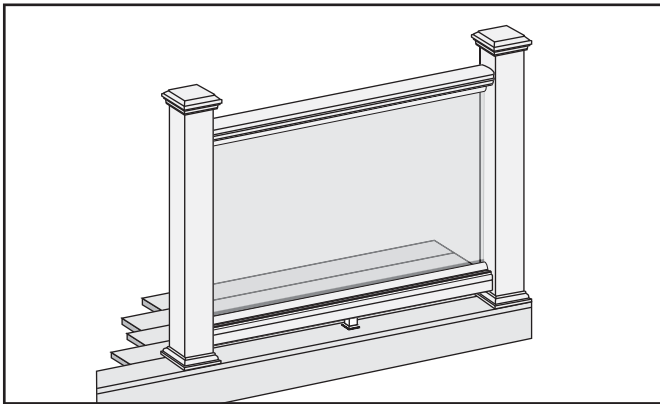
HOW TO INSTALL ROUND OR SQUARE ALUMINUM BALUSTERS/CONTINUED TREX TRANSCEND

TIP: Ensure balusters are level prior to attempting to slide baluster spacer up. This will allow for the baluster spacer to move up freely and snap into upper rail. Use of a rubber mallet to gently tap balusters in level is recommended.

- Slide baluster spacer up and snap into top rail. Place optional top rail gaskets on each end of rail.



HOW TO INSTALL STANDARD GLASS PANEL RAILING TREX TRANSCEND



NOTES: Read all instructions BEFORE installation.

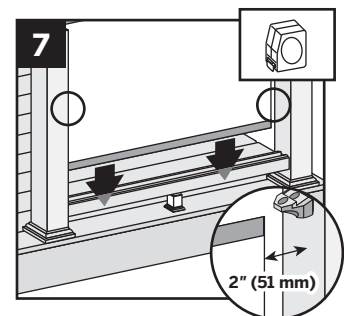
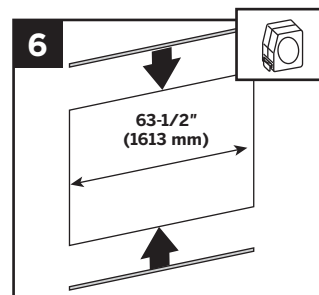
- » You must purchase the 1/4" (6 mm) tempered glass panels. See dimensions below.
- » Glass panels **ONLY** for use with maximum 6' (1.83 m) on center post spacing.
- » **NOT** recommended for stair applications.

TEMPERED GLASS PANEL DIMENSIONS

- » **36" (914 mm) high rail:**
1/4" x 30" x 63-1/2" max.
(6 mm x 762 mm x 1613 mm)
- » **42" (1067 mm) high rail:**
1/4" x 36" x 63-1/2" max.
(6 mm x 914 mm x 1613 mm)

- Installing Pressure-Treated Posts**
See instructions on page 54.
- Installing Post Sleeve Skirts and Post Sleeves** *See instructions on page 54.*
- Installing Railing Support Brackets (RSBs)**
See instructions on page 54.
- Cutting Railings**
See instructions on page 55.
- Attaching Bottom Rail (Universal Rail), Adding Weep Holes, and Foot Block**
See instructions on page 55.

Attaching Weatherstripping and Positioning Panel



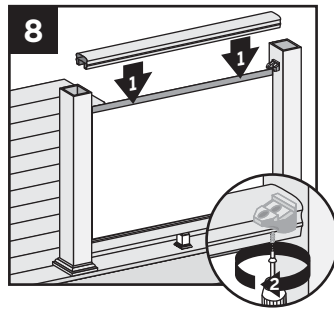
- Push black-edged trim onto upper and lower edges of panel. Be sure trim runs entire length of glass. Extra trim can be cut with razor blade or scissors.
- Position panel with weatherstripping into lower rail channel. Center panel between posts with about 2" (51 mm) of air space on each side of panel.



HOW TO INSTALL STANDARD GLASS PANEL RAILING/CONTINUED TREX TRANSCEND

Attaching Top (Crown) Rail

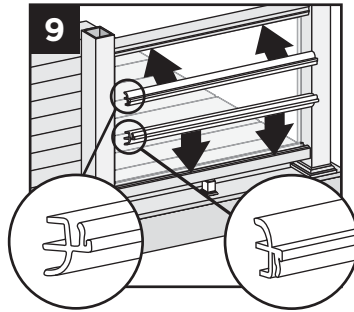
8. Place top rail over RSB brackets and glass panel. Secure rail to RSBs with 1-1/2" (38 mm) self-drilling screws (provided).



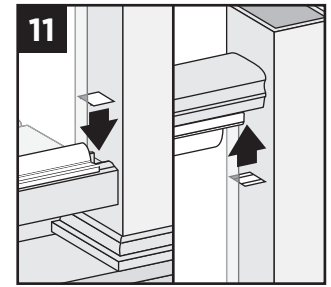
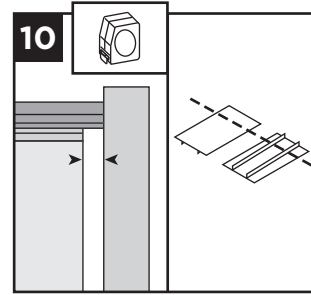
NOTE: Avoid hitting glass panel while using the drill.

Attaching Panel Support Molding

9. Push PSM into rail to complete snap connection. Lower rail PSM edge rests on top of rail. Top rail PSM snaps flush into rail.



Hiding Brackets

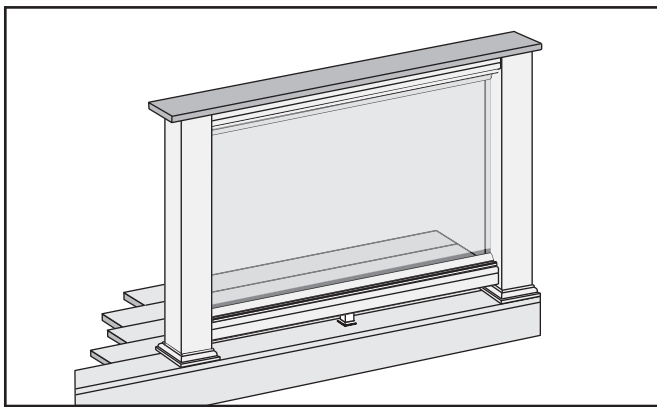


10. Cut Transcend baluster spacer into four lengths equal to distance between the glass panel and posts. Cut slowly and one at a time, to avoid chipping.
11. Snap spacer into bottom and top rail to hide brackets and create a seamless look.

12. Attaching Post Caps

See instructions on page 55.

HOW TO ATTACH COCKTAIL STYLE GLASS PANEL RAILING TREX TRANSCEND



TEMPERED GLASS PANEL DIMENSIONS

- » **36" (914 mm) high rail:**
1/4" x 30" x 63-1/2" max.
(6 mm x 762 mm x 1613 mm)
- » **42" (1067 mm) high rail:**
1/4" x 36" x 63-1/2" max.
(6 mm x 914 mm x 1613 mm)

1. Installing Pressure-Treated Posts

See instructions on page 54.

NOTE: If installing glass with cocktail rail design, rail posts and post sleeves must be cut.

NOTES: Read all instructions BEFORE installation.

- » You must purchase the 1/4" (6 mm) tempered glass panels. See dimensions at right.
- » Glass panels **ONLY** for use with maximum 6' (1.83 m) on center post spacing.
- » **NOT** recommended for stair applications.
- » Trex post mounts cannot be used for this application.

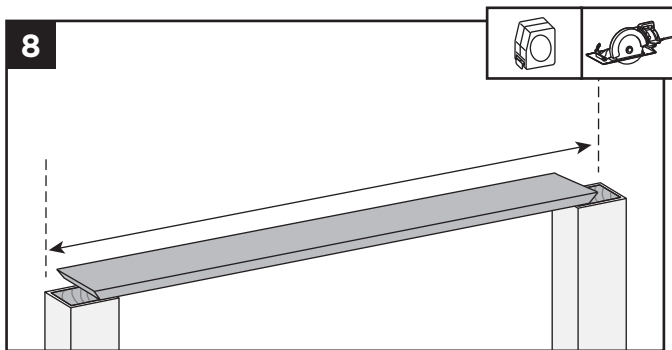


HOW TO ATTACH COCKTAIL STYLE GLASS PANEL RAILING/CONTINUED

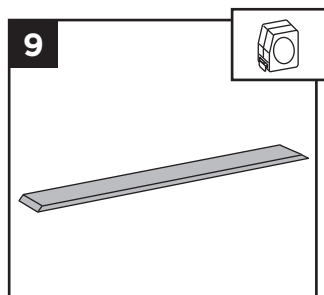
TREX TRANSCEND

- 1a. **Cutting Post and Post Sleeve**
See instructions on page 56.
2. **Installing Post Sleeve Skirts and Post Sleeves**
See instructions on page 54.
3. **Installing Railing Support Brackets (RSBs)**
See instructions on page 54.
4. **Cutting Railings**
See instructions on page 55.
5. **Attaching Bottom Rail (Universal Rail) and Foot Block**
See instructions on page 55.
- 6-7. **Attaching Weatherstripping and Positioning Panel**
See instructions on page 59.

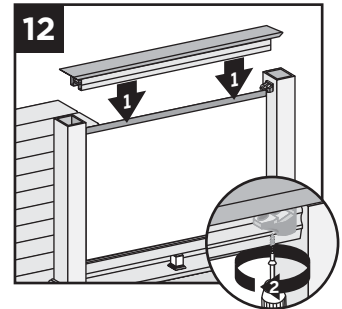
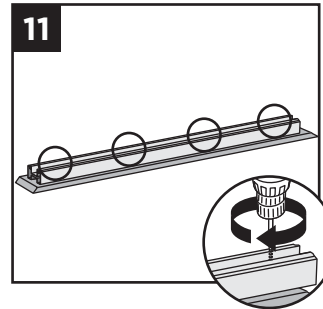
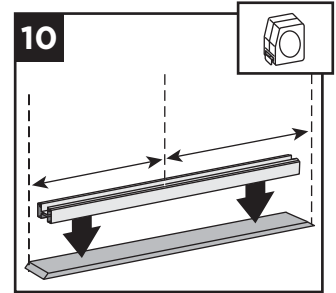
Attaching Top Rail



8. Cut deck boards to appropriate length of railing span, remembering to include extra space on each side of the deck board to allow for attachment to the post. Decking boards must cover 1/2 of the pressure-treated post to allow this to be fastened later. If you include extra decking material on each side this can be cut off later if need be.
9. Place inverted deck board (place top side of deck board down) on clean, flat surface. (**DO NOT** use Escapes deck boards for top rail.)



10. Place universal rail (orient this properly so when flipped over, the universal rail will accept the baluster spacer and balusters), on the deck board, centered in both directions to allow final attachment to post.

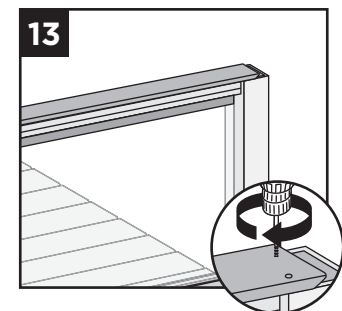


11. Secure deck board to universal rail with 2" (51 mm) pan head screws (*not provided*) approximately every 16" (406 mm) on center at an angle. (**DO NOT** overtighten. Attach from underside of railing into bottom of decking board.)

IMPORTANT NOTES:

- » If using Select decking, **USE** maximum length 1-3/4" (45 mm) screw and **NOT** 2" (51 mm) screw.
- » Screws that are used for attachment of decking board to railing **MUST** be attached at angle to prevent screw from penetrating through top of decking board.

12. Place inverted universal rail with deck board attached onto RSB's with glass panel in the channel. Attach universal rail to RSB's with two self-tapping screws (*provided*).
13. Attach deck board to post (ensure that screws are attached to wood post) with Trex recommended composite screws (quantity of 2 per each board end).

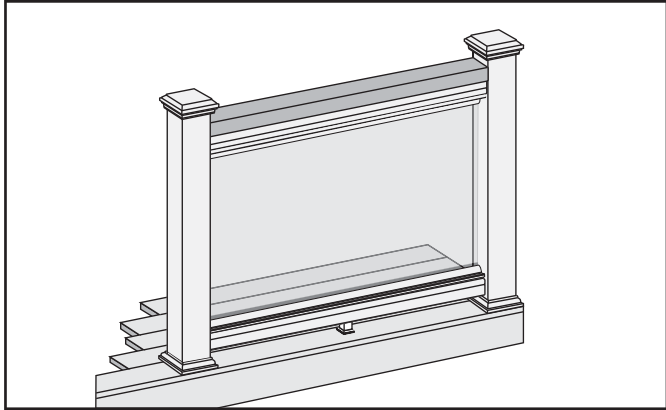


14. **Attaching Panel Support Moldings**
See instructions on page 60.

- 15-16. **Hiding Brackets** See instructions on page 60.

HOW TO ATTACH TRADITIONAL STYLE GLASS PANEL RAILING

TREX TRANSCEND



NOTES: Read all instructions BEFORE installation.

- » You must purchase the 1/4" (6 mm) tempered glass panels. See dimensions below.
- » Glass panels **ONLY** for use with maximum 6' (1.83 m) on center post spacing.
- » **NOT** recommended for stair applications.

TEMPERED GLASS PANEL DIMENSIONS

- » **36" (914 mm) high rail:**
1/4" x 30" x 63-1/2" max.
(6 mm x 762 mm x 1613 mm)
- » **42" (1067 mm) high rail:**
1/4" x 36" x 63-1/2" max.
(6 mm x 914 mm x 1613 mm)

1. Installing Pressure-Treated Posts

See instructions on page 54.

2. Installing Post Sleeve Skirts and Post Sleeves

See instructions on page 54.

3. Installing Railing Support Brackets (RSBs)

See instructions on page 54.

4. Cutting Railings

See instructions on page 55.

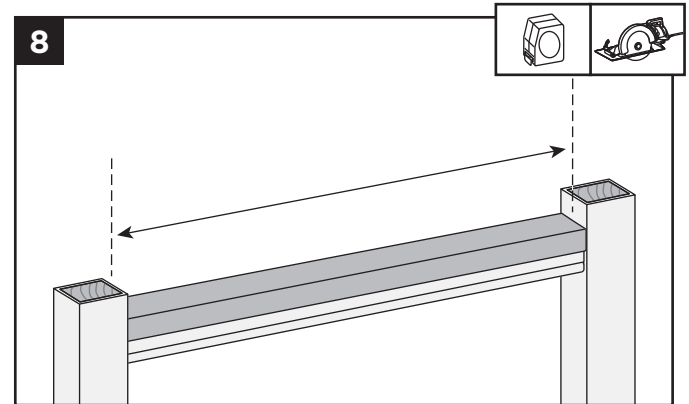
5. Attaching Bottom Rail (Universal Rail) and Foot Block

See instructions on page 55.

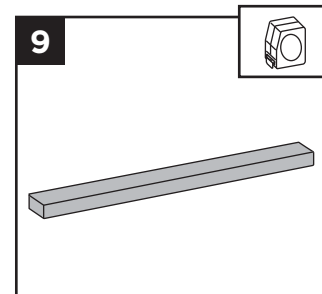
6-7. Attaching Weatherstripping and Positioning Panel

See instructions on page 59.

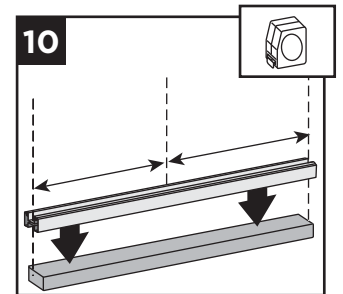
Attaching Top Rail



8. Cut 2" x 4" (51 mm x 102 mm) to same length of the inverted Universal rail.

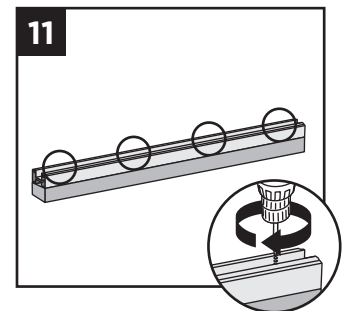


9. Place inverted 2" x 4" (51 mm x 102 mm) (place top side down) on clean, flat surface.

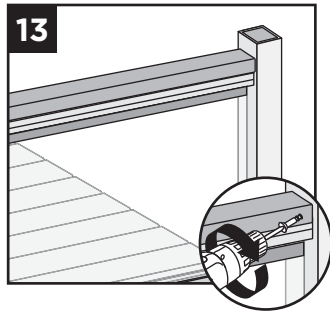
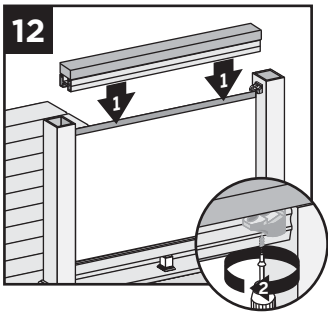


10. Place universal rail (remembering to orient this properly so that when flipped over, the universal rail will accept the baluster spacer and balusters), on the 2" x 4" (51 mm x 102 mm), centered.

11. Secure 2" x 4" (51 mm x 102 mm) to universal rail with 2" (51 mm) pan head screws (not provided) approximately every 16" (406 mm) on center.



HOW TO ATTACH TRADITIONAL STYLE GLASS PANEL RAILING/CONTINUED TREX TRANSCEND



12. Place inverted universal rail with 2" x 4" (51 mm x 102 mm) attached onto RSB's with glass panel in the channel. Attach universal rail to RSB's with two self-tapping screws (*not provided*).
13. Pre-drill a pilot hole and toenail 2-1/2" (64 mm) screw at each end of the 2" x 4" (51 mm x 102 mm) into post on back side (side not facing decking).

14. Attaching Panel Support Moldings

See instructions on page 60.

15-16. Hiding Brackets

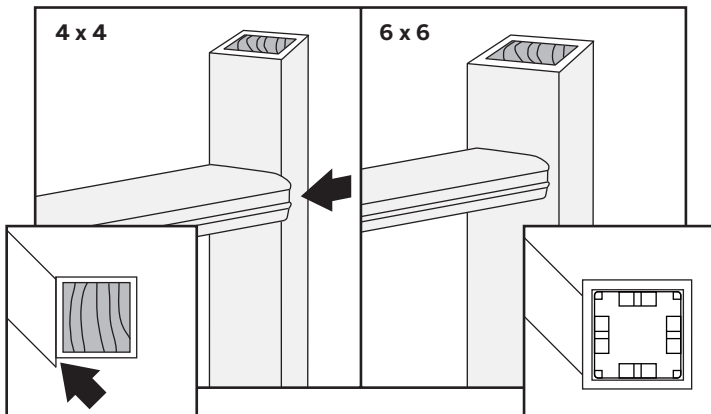
See instructions on page 60.

17. Attaching Post Caps

See instructions on page 55.

HOW TO INSTALL ON-AN-ANGLE RAILING TREX TRANSCEND (CROWN AND UNIVERSAL RAILING)

NOTE: Trex railing brackets are designed to be installed up to a 45° angle.



- » **Small angles** (1° - 30°). Both 4" x 4" (102 mm x 102 mm) or 6" x 6" (152 mm x 152 mm) post sleeves work well.
- » **Large angles** (31° - 45°). **USE ONLY** 6" x 6" (152 mm x 152 mm) post sleeves when installing on flat side.
- » **45° angles** using 4" x 4" (102 mm x 102 mm) post sleeves **MUST** use Transcend Bird's Mouth brackets.

NOTE: Railing will be installed on corner of posts.

- » Using 6" x 6" (152 mm x 152 mm) post sleeves at 45° angles. Brackets are installed off-center and use 45° Transcend gaskets.
- » Railing gaskets are designed to fit at 0°, 22.5°, and 45° angles. Gaskets are labeled with appropriate angle dimension.

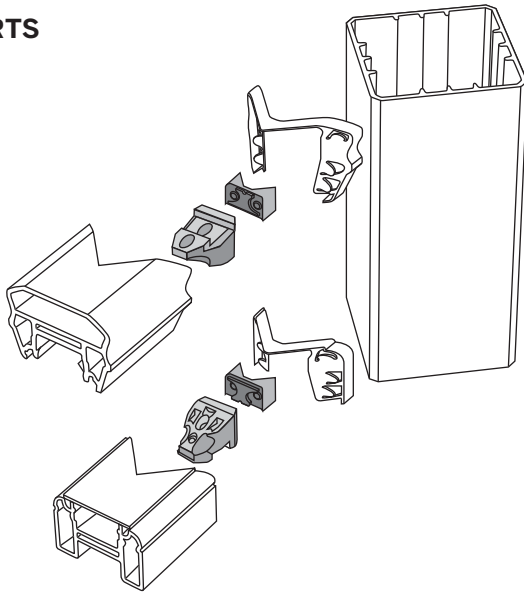
HOW TO INSTALL CROWN AND UNIVERSAL BIRD'S MOUTH RAILING TREX TRANSCEND

NOTES:

- » Use with 4" x 4" (102 mm x 102 mm) post sleeve **ONLY**.
- » Gaskets are only designed for use with Transcend crown and universal railing.

Read all instructions **BEFORE** installation.

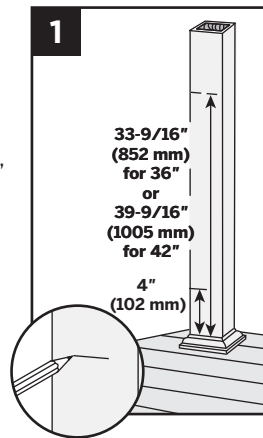
PARTS



Mark Posts

1. Measure and mark 4" (102 mm) and 33-9/16" (852 mm) up from top of post skirt. For a 42" (1067 mm) rail, top mark is 39-9/16" (1005 mm) on post.

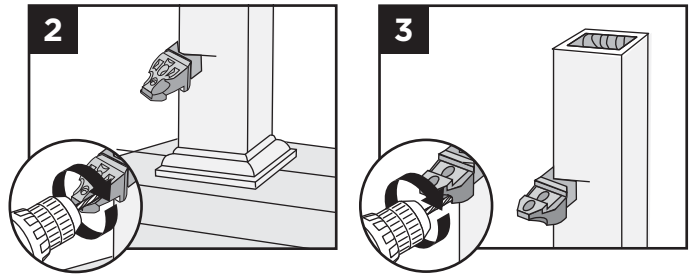
NOTE: Without skirt, add 1-1/2" (38 mm) to measurements.



Attaching Adaptors

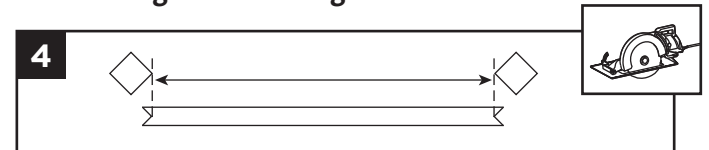
Snap adaptors into RSBs.

Pre-Drill Bottom and Top RSBs



2. Position RSBs with adaptor (**flat side DOWN**) for lower rail, mark and pre-drill screw holes with 1/8" (3 mm) drill bit on post.
3. Position RSBs with adaptor (**flat side UP**) for top rail, mark and pre-drill screw holes with 1/8" (3 mm) drill bit on post.

Measuring and Cutting Rails



4. Measure from corner-to-corner between posts. Mark 45° cuts on rails with template on assembly tool. Center of "V"s is the distance from corner-to-corner for posts.

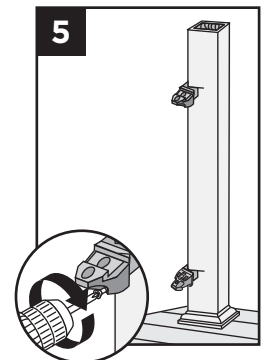
NOTE: Subtract 1/16" (1.6 mm) from each end to accommodate rail gaskets.

Attaching Top and Bottom RSBs

5. Attach RSBs with adaptors to posts with wood screws (provided).

NOTES:

- » Drill at slight inward angle to drill holes on marks.
- » Lay cut lower rail into position on decking surface between the posts before attaching the lower RSB. **There may be some difficulty attaching the lower rail if you fail to do this.**

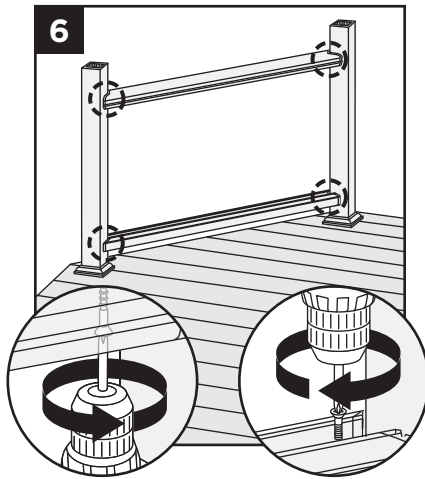


HOW TO INSTALL CROWN AND UNIVERSAL BIRD'S MOUTH RAILING/CONTINUED

TREX TRANSCEND

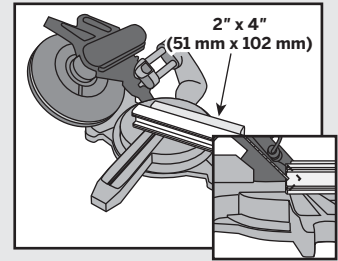
Installing Railings to RSB's

6. Attach with self-tapping screws (provided).



Using Miter Box Saw to Cut Rails

1. Place 2" x 4" (51 mm x 102 mm) on edge behind the rail to allow for complete cut.
2. Angle blade to 45°.
3. Set stop on saw so blade travels half the depth of rails. Several test cuts can be made on scrap material to accurately set the stop.
4. "V" cut both sides of the rail.



NOTE: Transcend's crown and universal rails will require different stop settings.

HOW TO INSTALL CROWN AND UNIVERSAL STAIR RAILING

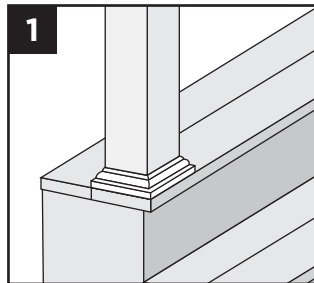
TREX TRANSCEND

Read all instructions BEFORE installation.

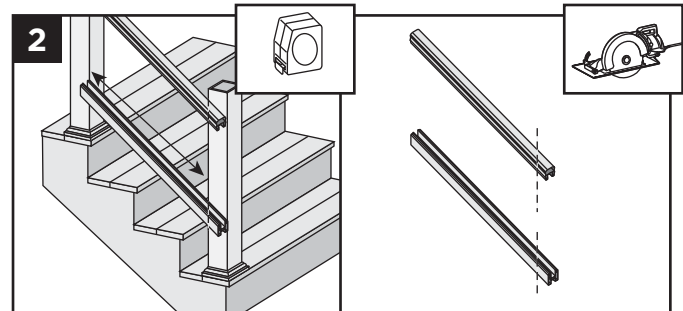
NOTE: All Transcend railings and gaskets work **ONLY WITH STAIR SLOPES OF 32° TO 37°.**

Installing Posts, Post Sleeve Skirts, and Post Sleeves for Stair Rails

1. Install posts, post sleeve skirts, and post sleeves according to standard Transcend railing instructions. See page 54.
 - » In most cases, a post and post sleeve longer than 39" (991 mm) will be needed on the lower section of stair rail to accommodate stair angle.
 - » Make sure top and bottom posts for stairs are installed at nose of each tread.



Measuring and Cutting Railings



2. Set railing along the nose of the stair treads and mark line at each intersection. Cut rails on marks.

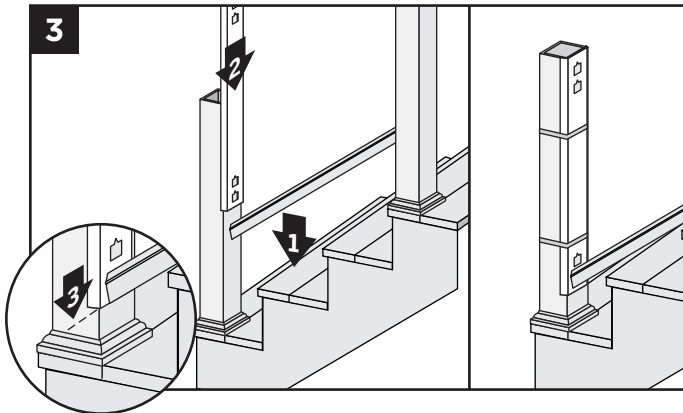
NOTE: If using railing gaskets, subtract 1/16" (1.6 mm) maximum, from each end and cut.



HOW TO INSTALL CROWN AND UNIVERSAL STAIR RAILING/CONTINUED

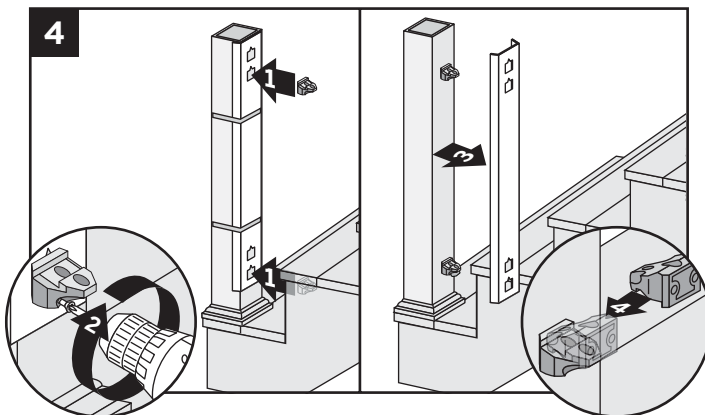
TREX TRANSCEND

Positioning RSBs on **BOTTOM** Post



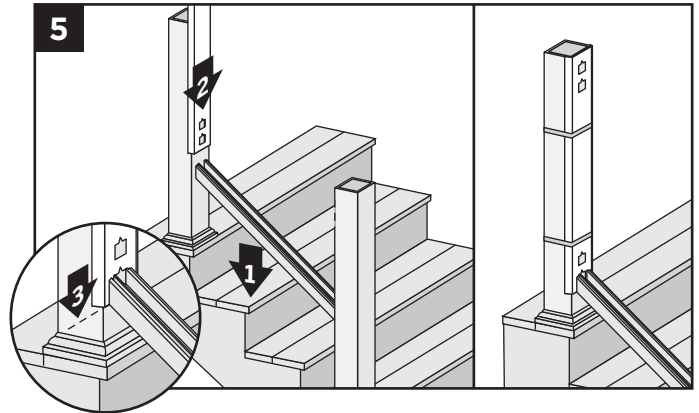
3. Position bottom rail between posts and slide TrexExpress railing assembly template into position with bottom rail outline on template aligned with end of bottom rail. Allow a minimum clearance of 1" (25 mm) from stair tread. Secure template with rubber bands. Remove rail.

Attaching RSBs to **BOTTOM** Post



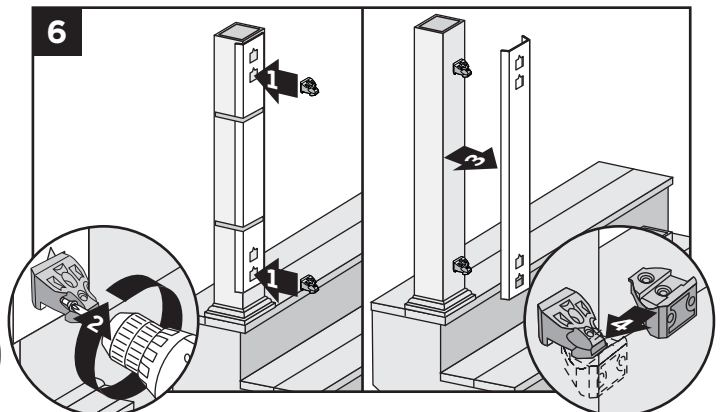
4. Attach upper and lower RSBs to bottom post, **flat side UP**, with wood screws provided. Remove template and place a second RSB, turned upside down, and interlock on each bracket.

Positioning RSBs on **UPPER** Post



5. Position pre-cut bottom rail between posts. Slide TrexExpress railing assembly template into position, aligning bottom rail outline on template with end of bottom rail. Use rubber bands to hold template in place. Remove rail.

Attaching RSBs on **UPPER** Posts



6. Attach upper and lower RSBs to top post, **flat side DOWN**. Remove template. Take second RSB, turn upside down and interlock into each bracket.

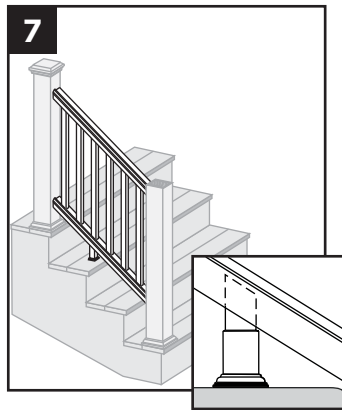


HOW TO INSTALL CROWN AND UNIVERSAL STAIR RAILING/CONTINUED

TREX TRANSCEND

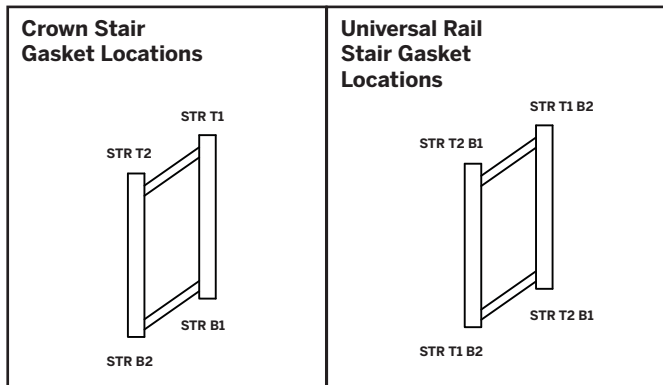
Complete Stair Rails Installation

7. Install foot blocks prior to installing lower rail. Refer to "How to Install Universal Railing Foot Blocks" on page 55. For stair application, cut top section of foot block at an angle to match rail, pre-drill, and fasten.



Install top and bottom railings, balusters, and baluster spacers according to previous instructions based on the style railing that is installed.

Attaching Optional Gaskets

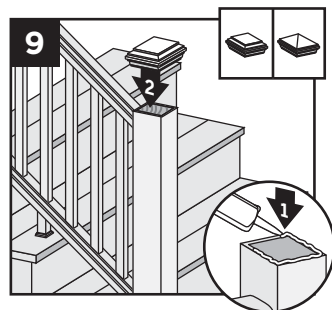


8. Stair railing gaskets are designed to fit at slopes of 32° to 37°. Gaskets are labeled in order to ensure correct location.

Attaching Post Caps

9. Secure post caps with silicone or PVC adhesive.

NOTE: Clean up any excess adhesive before drying.

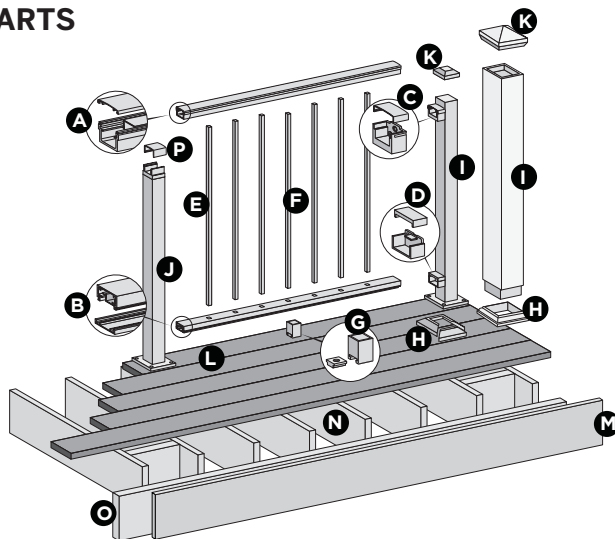


TREX REVEAL RAILING

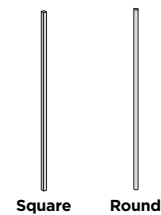
NOTES:

- » REVEAL RAILINGS ARE DESIGNED TO BE ATTACHED WITH POSTS INSTALLED AT A CLEAR SPAN OF 6' (1.83 M) OR 8' (2.44 M).
- » IF INSTALLING AT EXACT SPAN LENGTHS OF 6' (1.83 M) OR 8' (2.44 M), AND USING POST-TO-POST CONFIGURATION, THE BOTTOM RAIL WILL NOT NEED TO BE CUT, BUT THE TOP RAIL WILL NEED TO BE MEASURED (MAKING SURE BALUSTERS LINE UP VERTICALLY) AND CUT.
- » IF INSTALLING AT EXACT SPAN LENGTHS OF 6' (1.83 M) OR 8' (2.44 M), AND USING CROSSOVER POST CONFIGURATION (SPANS FROM ONE CROSSOVER POST TO ANOTHER CROSSOVER POST), BOTH THE BOTTOM RAIL AND TOP RAIL WILL NOT NEED TO BE CUT.
- » IN ADDITION, AT ALL FINAL END POST CONFIGURATIONS, TOP RAIL WILL NEED TO BE MEASURED (MAKING SURE BALUSTERS LINE UP VERTICALLY) AND CUT.
- » FOR ODD SPAN LENGTHS, BOTH TOP RAIL AND BOTTOM RAIL WILL NEED TO BE MEASURED (MAKING SURE BALUSTERS LINE UP VERTICALLY) AND CUT. ENSURE THAT BALUSTERS ARE SPACED WITH AN EQUAL DISTANCE ON EACH SIDE OF THE POST.
- » WHEN RAILINGS ARE CUT TO ODD SPANS, ALL SPANS GREATER THAN 5' (1.52 M) (EXAMPLE: 8' (2.44 M) SPAN CUT INTO ONE 5' (1.52 M) SPAN AND ONE 3' (0.91 M) SPAN) WOULD REQUIRE FOOT BLOCK UNDER 5' (1.52 M) SPAN SINCE SMALLER FIXED BALUSTER IS NO LONGER CENTERED).

PARTS



BALUSTER OPTIONS



DETERMINING BALUSTERS NEEDED

Baluster Type	Per 6' Section	Per 8' Section	Per 6' Stair Section	Per 8' Stair Section
Square	15	20	13	17
Round	15	20	13	17

NOTE: THIS IS AN OVERVIEW OF ALL RAILING COMPONENTS FOR REVEAL HORIZONTAL APPLICATIONS – REFER TO DETAILED INSTRUCTIONS FOR SPECIFIC RAILING CONFIGURATIONS.

- A. Reveal top rail and crowned cover
 - 6' (actual length 73.5" [1867 mm])
 - 8' (actual length 97.5" [2477 mm])
- B. Reveal bottom rail and flat cover
 - 6' Rail (actual length 71.5" [1816 mm])
 - 6' Cover (actual length 70.0" [1778 mm])
 - 8' Rail (actual length 95.5" [2426 mm])
 - 8' Cover (actual length 94.0" [2388 mm])
- C. Reveal upper rail bracket and cover
- D. Reveal lower rail bracket and cover
- E. Reveal balusters (square or round)
- F. Reveal center baluster (square or round)
- G. Reveal foot block**
- H. Reveal post skirt or post sleeve skirt*
- I. Reveal post*
 - 2.5"
 - 36" (actual length 37" [940 mm])
 - 42" (actual length 43" [1092 mm])
 - or Trex 4x4 post sleeve*
 - 36" (actual length 39" [991 mm])
 - 42" (actual length 45" [1143 mm])
- J. Reveal crossover post*
 - 36" (actual length 34.5" [876 mm])
 - 42" (actual length 40.5" [1029 mm])
- K. Reveal post cap or post sleeve cap*
- L. Trex decking
- M. Trex Fascia
- N. Code-approved wood joist 2" x 8" (51 mm x 203 mm) or larger
- O. Code-approved wood rim joist 2" x 8" (51 mm x 203 mm) or larger
- P. Crossover bracket cover (supplied with crossover post)

* Item not included in Reveal Railing kits. Both 4" x 4" (102 mm x 102 mm) and 6" x 6" (152 mm x 152 mm) post sleeves are designed to fit over 4x4 pressure-treated post.

** Required ONLY for All Clear Span Applications over 6' (1.83 m) when smaller fixed baluster is fully centered, or unsupported spans greater than 5' (1.52 m) (example: 8' (2.44 m) span cut into one 5' (1.52 m) span and one 3' (0.91 m) span would require foot block under 5' (1.52 m) span since smaller fixed baluster is no longer centered). Included with 8' (2.44 m) railing kits.

NOTE: If installing 42" (1067 mm) railing, and using pressure-treated posts with Trex post sleeves, ensure that a longer pressure-treated post is used along with longer post sleeve, both cut to a height of 46" (1168 mm) from decking surface.

INSTALLING STANDARD REVEAL POSTS AND/OR REVEAL CROSSOVER POSTS ON DECKING OR CONCRETE

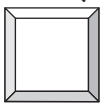
IMPORTANT NOTES:

- » EACH POST MUST BE ATTACHED AS SHOWN TO ENSURE A CODE COMPLIANT AND SAFE INSTALLATION.
- » ALWAYS refer to your local building code official prior to installing any railing system to ensure all code and safety requirements are met. Trex® cannot be held responsible for improper or non-recommended installations.
- » When installing Reveal posts on ACQ, CCA or concrete surfaces, use an appropriate isolation barrier between post and surface (contact local building code official if needed).
- » For installing Standard Reveal Post and/or Reveal Crossover Posts, see below.
- » For pressure-treated posts, post sleeves, and skirts, see detailed instructions provided with Reveal Railing Kits.
- » All Reveal stair installations require the use of a 53" (1346 mm) stair post, measured and cut to appropriate length if necessary.
- » If crossover stair post is required, use stair post (again cut to appropriate length if necessary) and use swivel crossover bracket.
- » If installing on concrete, make sure all surfaces are level.

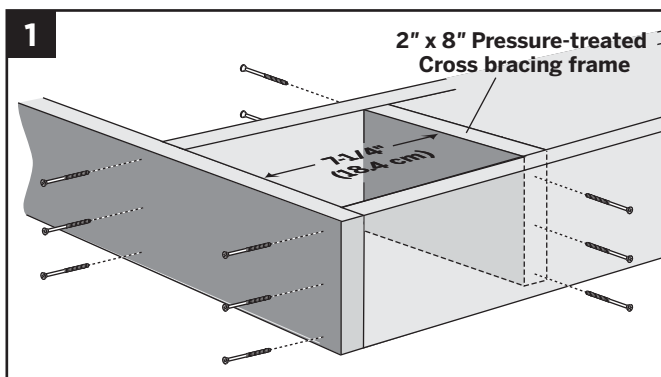
TOOLS AND MATERIALS NEEDED

- » Drill and/or screw gun (hammer drill for concrete)
- » 1/2" (13 mm) drill bit for wood, 3/8" (10 mm) drill bit for concrete
- » Blocking – 2" x 8" (51 mm x 203 mm) pressure-treated Southern Yellow Pine or equivalent
- » Qty: 36 (per post) – 3" pressure-treated compatible wood screws

CODE APPROVED POST APPLICATIONS

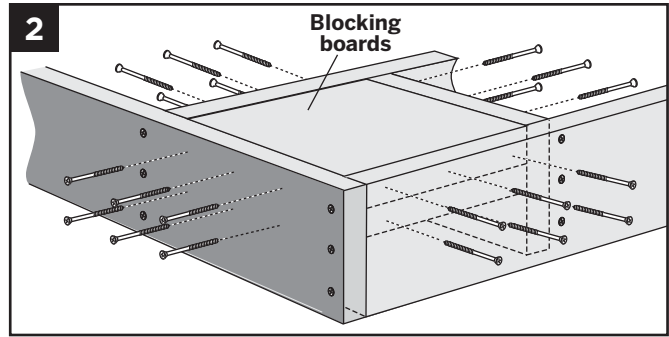
POST SIZE	
	2.5" (64 mm) 2.5 x 2.5 (64 mm x 64 mm) Post (IRC)
< 30" height decking	Acceptable (Code Approval not Applicable)
IRC Compliant	Yes
IBC Compliant	No

Installing Standard Reveal Posts and/or Reveal Crossover Posts on Pressure-treated



Wood Framing (Corner Post Installation)

1. Install 2" x 8" (51 mm x 203 mm) cross bracing frame in between joists at 7-1/4" (184 mm). Attach a total of twelve 3" (76 mm) pressure-treated compatible screws (not provided).

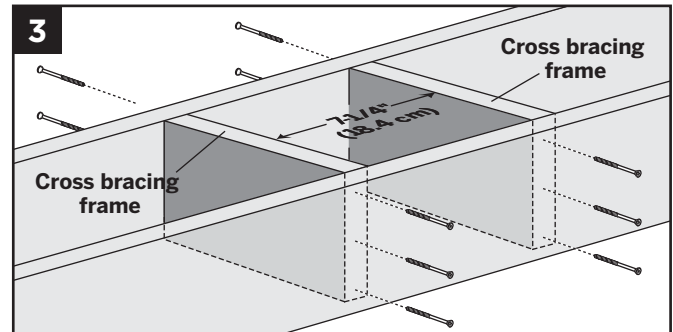


2. Install two 2" x 8" (51 mm x 203 mm) boards as blocking under post location. Securely attach blocking using a total of twenty-four 3" (76 mm) pressure-treated compatible screws (not provided).

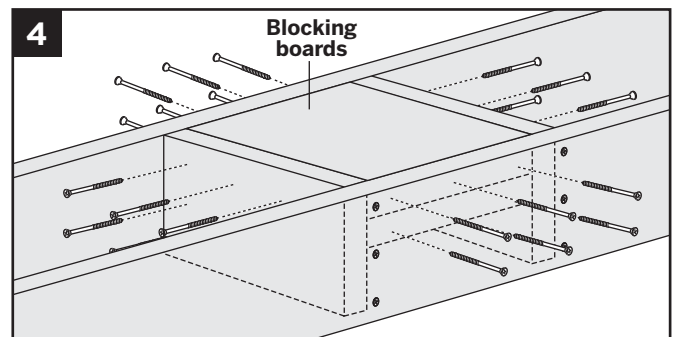
NOTE: TO ENSURE THE BLOCKING IS FULLY SECURE, USE THE AMOUNT OF SCREWS INDICATED ABOVE.

TIP: Use two additional screws to "sandwich" blocking boards together for easier attachment to framing.

Line Post Installation



3. Install two 2" x 8" (51 mm x 203 mm) cross bracing frames in between joists at 7-1/4" (184 mm). Attach a total of twelve 3" (76 mm) pressure-treated compatible screws (not provided).



4. Install two 2" x 8" (51 mm x 203 mm) boards as blocking under post location. Securely attach blocking using a total of twenty-four 3" (76 mm) pressure-treated compatible screws (not provided).

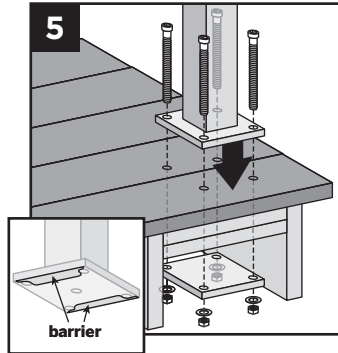


INSTALLING STANDARD REVEAL POSTS AND/OR REVEAL CROSSOVER POSTS ON DECKING OR CONCRETE/CONTINUED

NOTES:

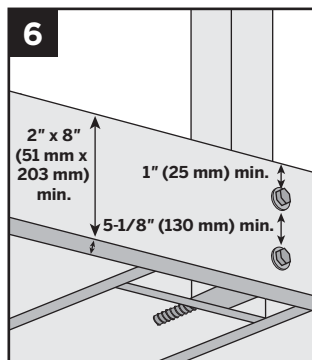
- » Rim joist removed to show proper attachment of hardware.
- » **Metal backplate is only required for 2.5" (64 mm) post in IRC installations.** (Consult local code official for more information.)

5. Insert (2) stainless steel barrier strips under mounting bolt holes. Use composite shims or similar material (*not provided*) if posts are not plumb. Ensure that post is placed on decking surface so it clears rim joist and there is enough clearance on underside blocking for back plate to be installed. Attach posts using four 3/8" x 6" (10 mm x 152 mm) hex cap bolts, washers, and nuts, along with using aluminum back plate on underside of blocking (back plate only required for 2.5" [64 mm] posts). Back plate **MUST** be installed under decking to ensure this will meet code compliance. Reference Trex SKU part number ALPOSTHWDECK for required hardware and aluminum plate.



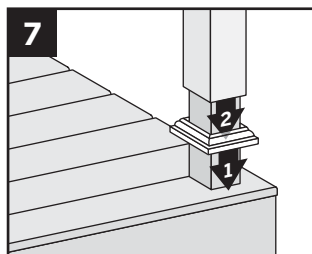
Installing Pressure-treated Posts, Post Sleeves, and Skirts to Use with Reveal Railing

6. Attach posts using 1/2" (13 mm) carriage bolts.
- » Minimum joist size is 2" x 8" (51 mm x 203 mm).
 - » Top bolts must be 1" (25 mm) from top of joists.
 - » Bottom bolts must be 5-1/8" (130 mm) from top bolts.



NOTE: Blocking can be added for extra strength.

7. Slide post sleeve skirt over post and down to rest on decking surface. Slide post sleeve over post and position inside post sleeve skirt.

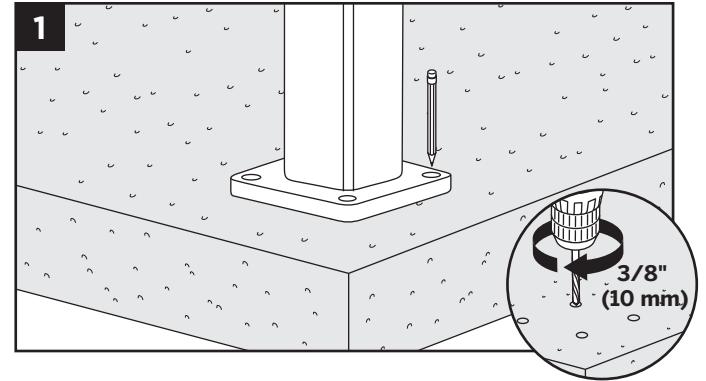


NOTE: Shims can be used to plumb post sleeves.

IMPORTANT NOTE: IF INSTALLING 42" (1067 MM) RAILING AND USING PRESSURE-TREATED POSTS WITH TREX POST SLEEVES, ENSURE THAT A LONGER PRESSURE-TREATED POST IS USED ALONG WITH LONGER POST SLEEVE, BOTH CUT TO A HEIGHT OF 46" (1168 MM) FROM DECKING SURFACE.

Installing Reveal Posts on Concrete

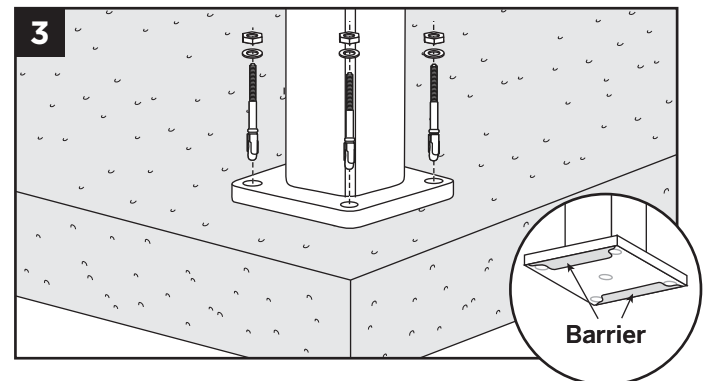
Pre-drill Holes



1. Using post as a template, mark locations of the four holes and drill into concrete at least 2-5/8" (67 mm) using a 3/8" (10 mm) masonry bit.

NOTE: You can either set drill bit to correct depth on drill or mark drill bit with tape at required dimension to ensure all holes are drilled at correct depth

2. Clean out holes to remove all concrete dust using a shop vacuum or other appropriate tool.



3. Insert (2) stainless steel barrier stripes under mounting bolt holes. Use appropriate shims if posts are not plumb. Attach posts using four TREX SUPPLIED 3/8" x 3-3/4" (10 mm x 95 mm) wedge anchors. Reference SKU part number ALPOSTHWCONC for required hardware (wedge anchors, washers, and nuts).

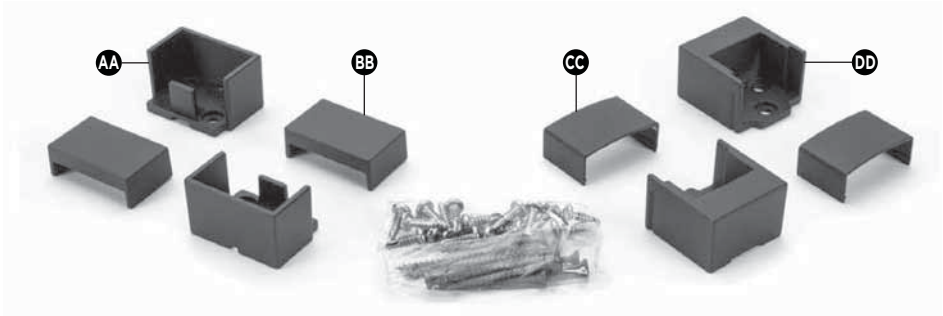
NOTES:

- » When using hammer to tap anchors in place, keep threaded nut at top of anchor in order to not damage threads.
- » Recommended torque for anchors is 20 ft-lbs.

BRACKET HARDWARE - HORIZONTAL APPLICATIONS (INCLUDING HORIZONTAL SWIVEL BRACKETS) TREX REVEAL

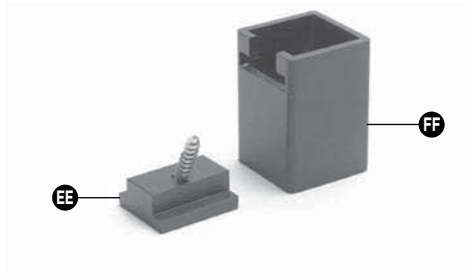
HORIZONTAL RAILING HARDWARE

- AA. Lower rail bracket
- BB. Lower rail bracket cover
- CC. Upper rail bracket cover
- DD. Upper rail bracket



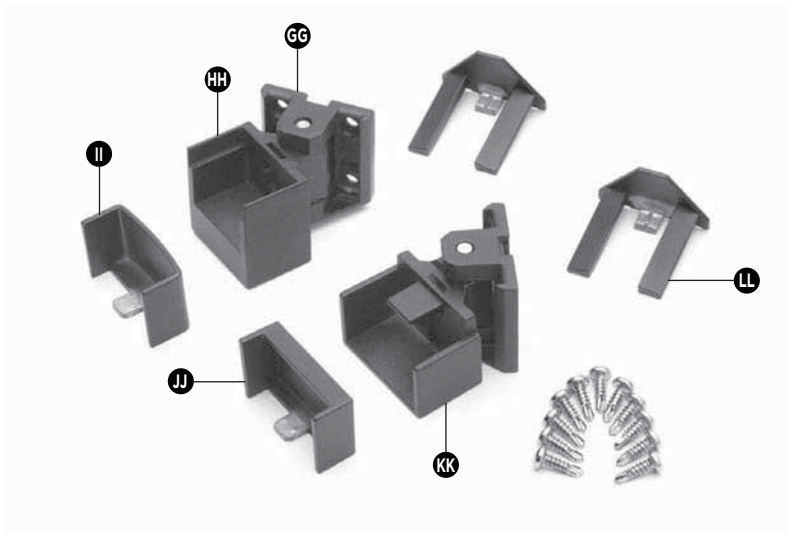
FOOT BLOCK COMPONENTS

- EE. Foot block base
- FF. Foot block support



HORIZONTAL SWIVEL HARDWARE

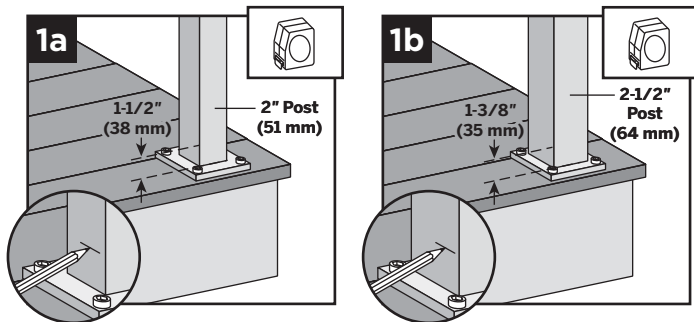
- GG. Swivel base
- HH. Horizontal swivel bracket top rail
- II. Horizontal swivel bracket top rail cover
- JJ. Horizontal swivel bracket bottom rail cover
- KK. Horizontal swivel bracket bottom rail
- LL. Swivel base cover



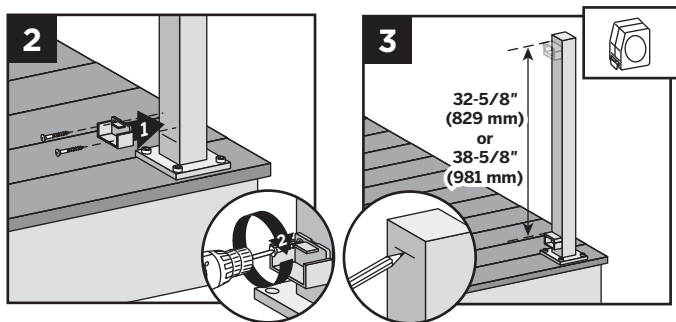
HOW TO INSTALL HORIZONTAL RAILING TREX REVEAL

Attach Brackets Using Reveal Posts

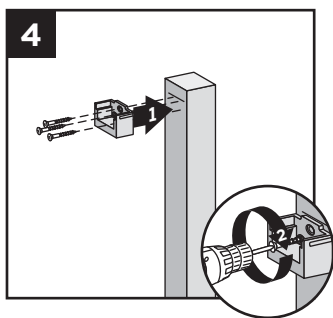
TIP: Use a clamp to help hold brackets in place while fastening with screws.



- 1a. When using 2" (51 mm) post, for both post-to-post and post-to-crossover-post configurations, measure 1-1/2" (38 mm) up from top of post base plate (or 1-7/8" [48 mm] from decking surface). Mark with light line.
- 1b. When using 2-1/2" (64 mm) post, measure 1-3/8" (35 mm) from top of post base plate or 1-7/8" (48 mm) from decking surface. Mark with light line.



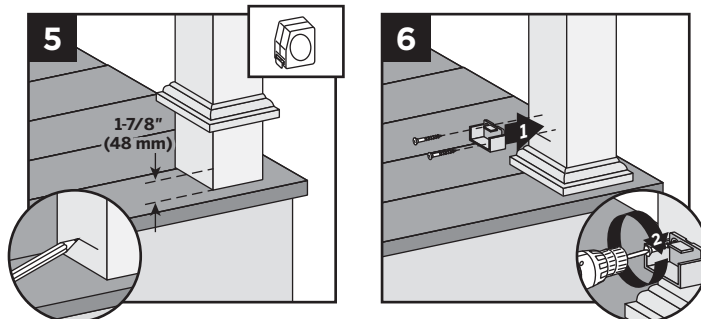
2. Center lower bracket on post **above** the marked line and attach using two self-tapping screws (*provided*).
3. Measure up 32-5/8" (829 mm) for 36" (914 mm) tall railing or 38-5/8" (981 mm) for 42" (1067 mm) tall railing from top of lower rail bracket. Mark with a light line.
4. Center upper bracket on post **below** marked line and attach using three self-tapping screws (*provided*).



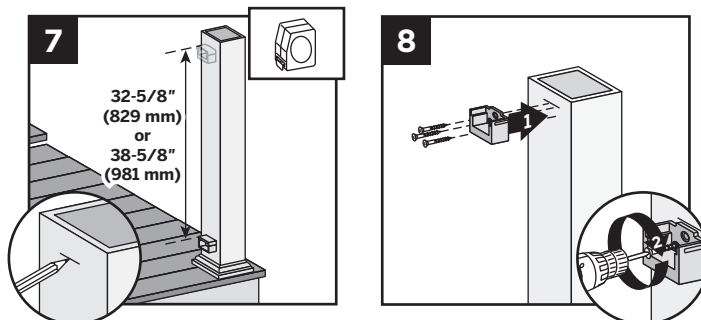
NOTE: Upper bracket is not required on crossover post configuration.

Attach Brackets Using Pressure-Treated Posts and Post Sleeves

TIP: Use a clamp to help hold brackets in place while fastening with screws.



5. Measure 1-7/8" (48 mm) up from deck surface to bottom of bracket. Slide skirt up to allow for proper measurement, then push skirt back down onto surface of decking **BEFORE ATTACHING BRACKET**. Mark with light line.
6. Center lower bracket on post **above** the marked line and attach using two 2" (51 mm) wood screws (*provided*).

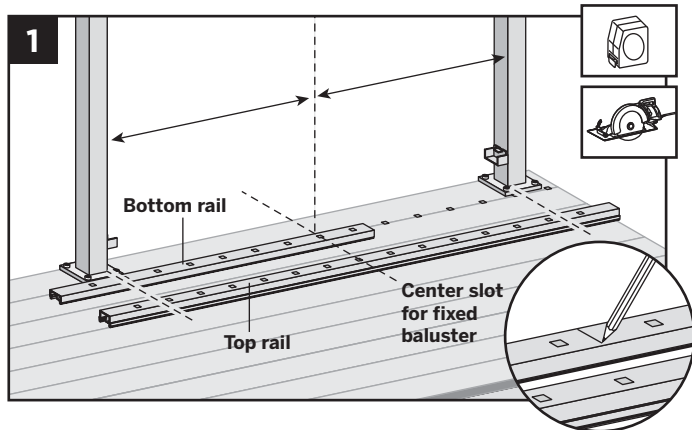


7. Measure up 32-5/8" (829 mm) for 36" (914 mm) tall railing or 38-5/8" (981 mm) for 42" (1067 mm) tall railing from top of lower rail bracket. Mark with a light line.
8. Center upper bracket on post **below** marked line and attach using three 2" (51 mm) wood screws (*provided*).

HOW TO INSTALL HORIZONTAL RAILING/CONTINUED

TREX REVEAL

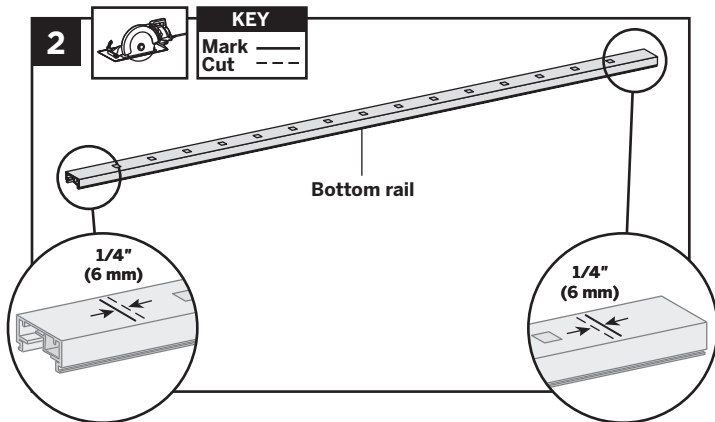
How to Measure and Cut Bottom and Top Railings (WHEN REQUIRED)



1. Position bottom and top rails between posts and align with bottom bracket. Align the center baluster slot in both rails with the middle of the span between posts.* This will allow an equal number of baluster holes on each side of center slot. Mark bottom rail and top rail at each end (ensure both rails are centered between posts).

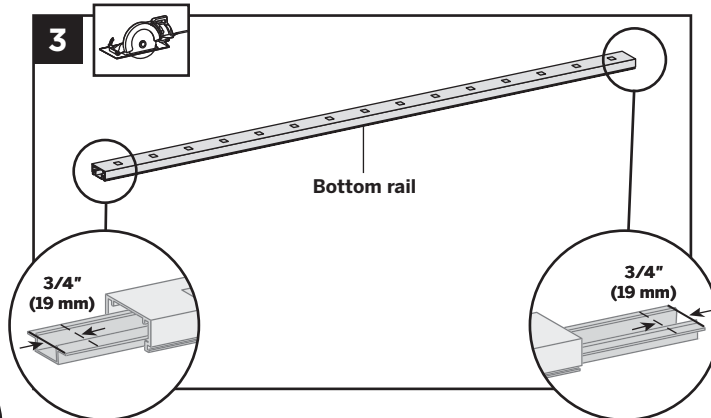
* In some cases due to odd railing spans, the center baluster may need to be offset in one direction to ensure there is enough room at both post locations for balusters to be placed, review this BEFORE cutting any railings to ensure all balusters are equally spaced.

Cutting Bottom Rail and Bottom Rail Cover

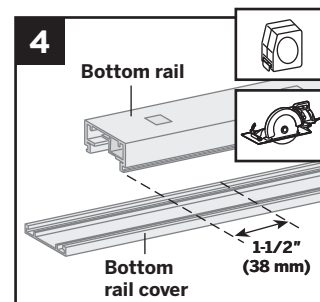


2. Cut each end of bottom rail 1/4" (6 mm) shorter than mark on each end to allow for fit into bottom rail brackets.

TIP: CUT ALUMINUM WITH A NON-FERROUS METAL BLADE.



3. Slide rail insert out and cut 3/4" (19 mm) **FROM EACH SIDE** of insert, then slide back inside rail and center.
4. Mark and cut bottom rail cover 1-1/2" (38 mm) shorter than bottom rail.



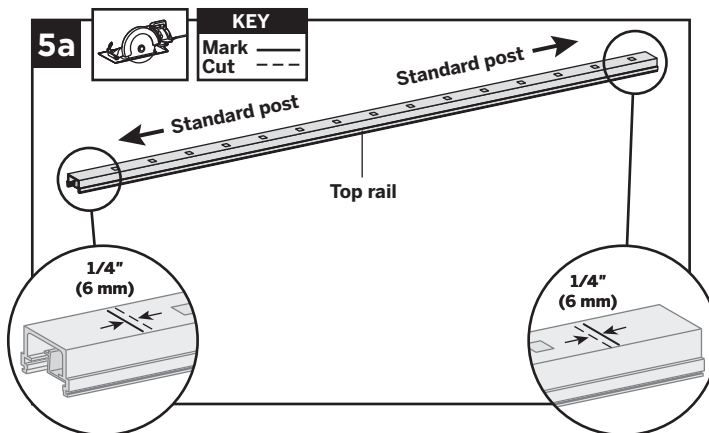
HOW TO INSTALL HORIZONTAL RAILING/CONTINUED

TREX REVEAL

Cutting Top Rail

Option 1:

For Post-to-Post Configuration

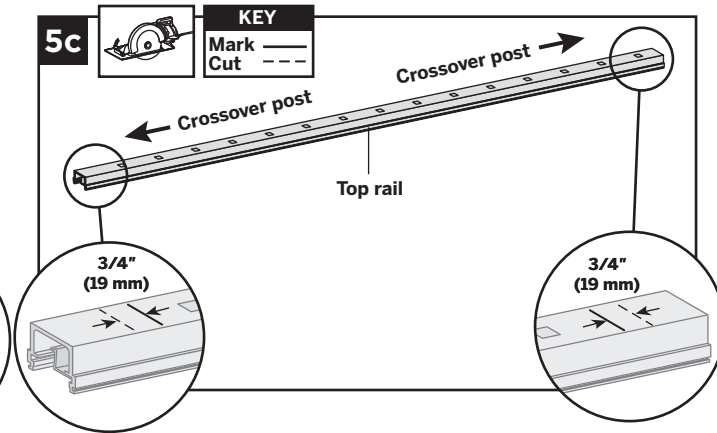


5a. Cut each end of top rail 1/4" (6 mm) shorter than mark to allow for fit into top rail brackets.

Cutting Top Rail

Option 3:

For Crossover-Post-to-Crossover-Post Configuration

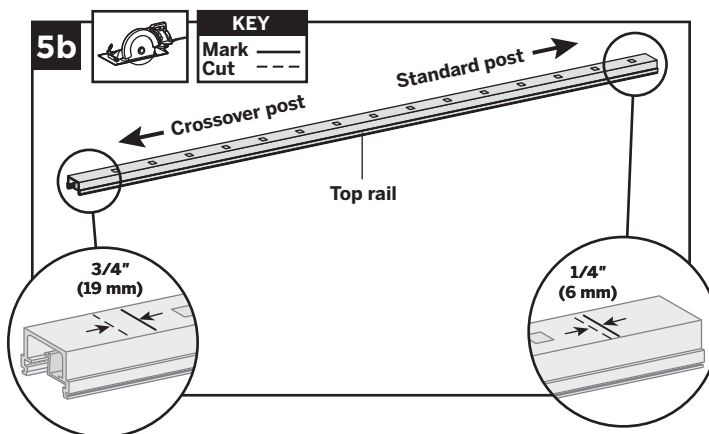


5c. Cut each end of top rail 3/4" (19 mm) **LONGER** than the mark to allow for fit into the crossover post bracket on each side.

Cutting Top Rail

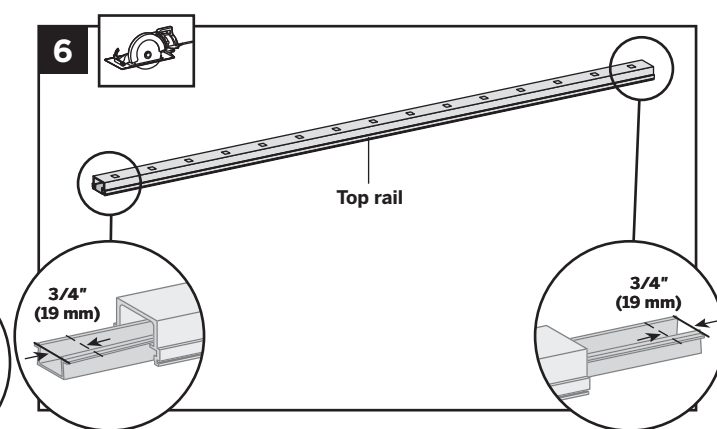
Option 2:

For Post-to-Crossover-Post Configuration



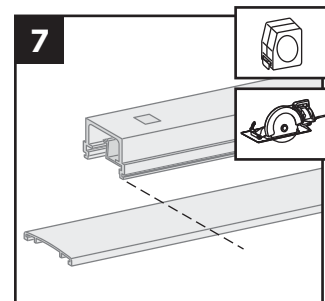
5b. Top rail must be cut differently on each side of the rail. Railing side that attaches to standard post should be cut 1/4" (6 mm) shorter than the mark to allow for fit into top rail bracket. Railing side that attaches to the crossover post should be cut 3/4" (19 mm) **LONGER** than the mark to allow for fit into the crossover post bracket.

Cutting Top Rail Insert and Cover



6. Slide rail insert out and cut 3/4" (19 mm) **FROM EACH SIDE** of insert, then slide back inside rail and center.

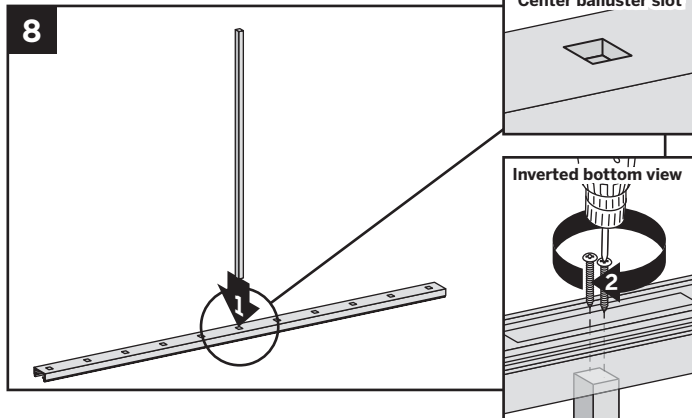
7. Mark and cut top rail cover same length as top rail for all top rail configurations.



HOW TO INSTALL HORIZONTAL RAILING/CONTINUED

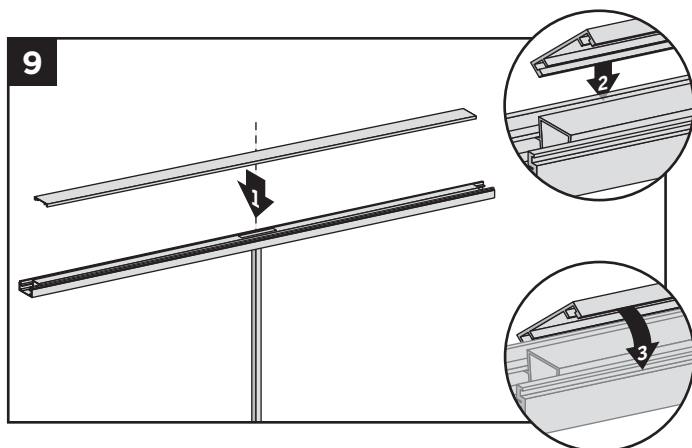
TREX REVEAL

Attaching Center Baluster to Bottom Rail

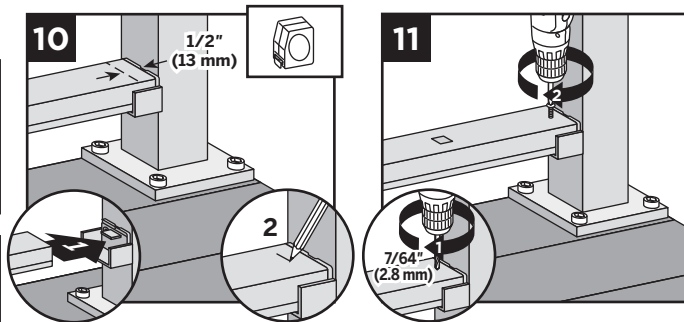


8. Attach shorter, center baluster in center slot in bottom rail using two #8 x 1-1/4" (32 mm) screws (provided).

Attaching Bottom Rail Cover and Bottom Rail to Brackets



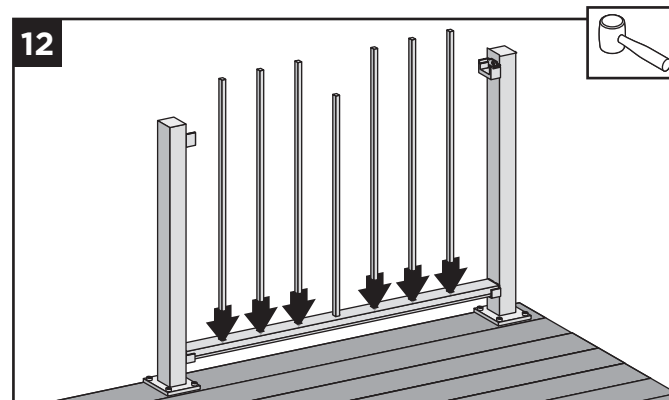
9. Attach "flat" bottom rail cover to bottom rail by first centering cover on bottom rail (this will allow gap on each end of bottom rail for placement into brackets). Align cover on one side of bottom rail in slot on side of rail. Then starting from one end of rail snap cover onto opposing slot working down the length of rail. In some cases, a **rubber mallet** may facilitate the fastening using **GENTLE** tapping.



10. Set bottom rail into bottom brackets. Tabs on brackets will be inside of bottom rail (not shown when railing is attached). To ensure fit into tab, measure and mark 1/2" (13 mm) out from side of post.
11. Attach bottom rail to bottom bracket by fastening through marked measurement on top of rail into tab on bottom bracket using one self-tapping screw each side (provided).

NOTE: Pre-drilling is recommended (7/64" [2.8 mm] drill bit) for attachment of railing to bracket.

Installing Remaining Balusters into Bottom Rail

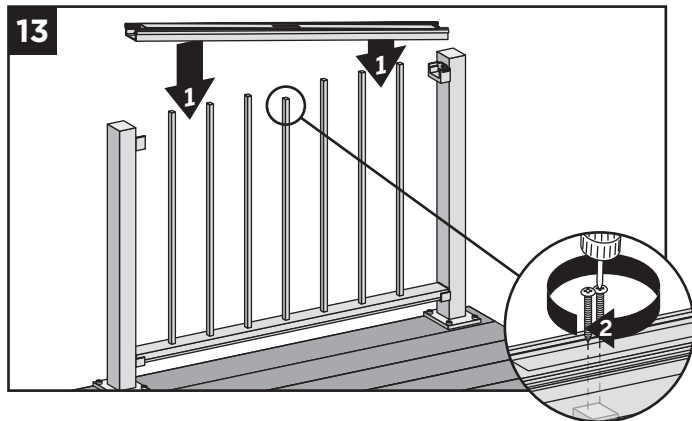


12. Place remaining balusters into holes in lower rail by snapping fully into place. In some cases, a **rubber mallet** may facilitate the fastening using **GENTLE** tapping.

HOW TO INSTALL HORIZONTAL RAILING/CONTINUED

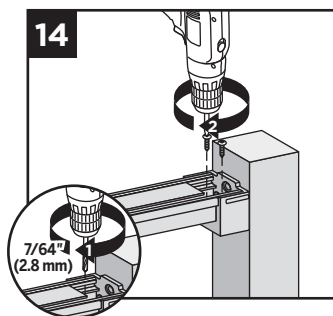
TREX REVEAL

Attach Upper Railings



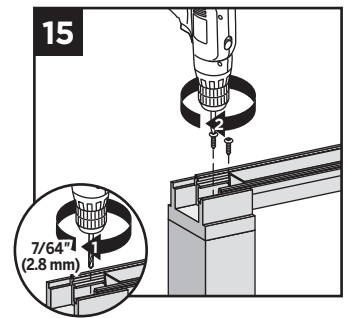
13. Working from one end of upper rail, snap balusters into upper rail working down length of rail. Fasten center baluster into center slot using two #8 x 1-1/4" (32 mm) screws (provided).

14. For post-to-post configuration, fasten upper rail to each bracket by installing screws diagonally through upper rail into bracket using two self-tapping screws each side (provided).

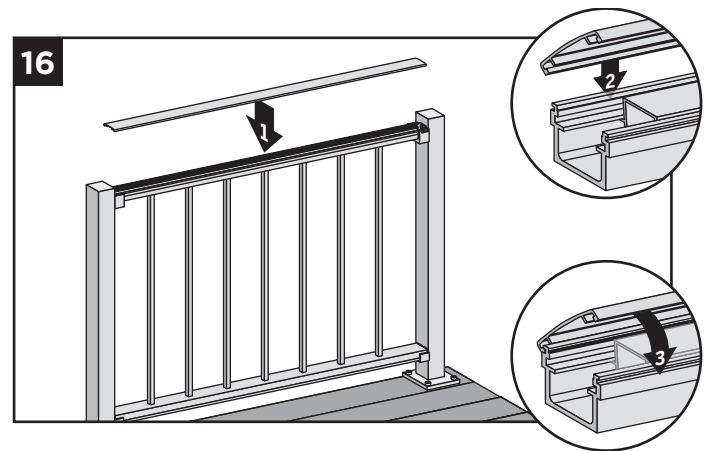


NOTE: Pre-drilling is recommended (7/64" [2.8 mm] drill bit) for attachment of railing to bracket.

15. For crossover post configuration, fasten upper rail to crossover post by installing screws diagonally through upper rail into post using two self-tapping screws each side (provided).



NOTE: Pre-drilling is recommended (7/64" [2.8 mm] drill bit) for attachment of railing to post.



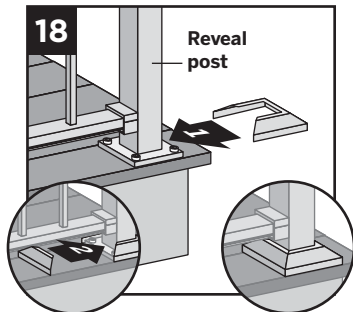
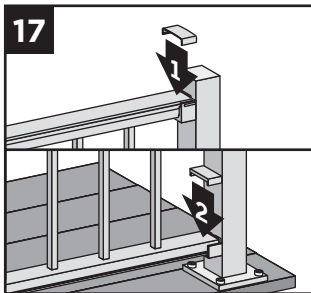
16. Attach "crowned" upper rail cover to upper rail by aligning cover on one side of rail. Then starting from one end of rail, snap cover onto opposing slot working down length of rail. A **rubber mallet** may facilitate the fastening using **GENTLE** tapping.



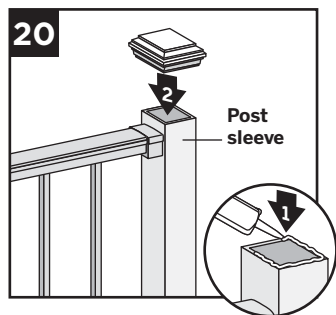
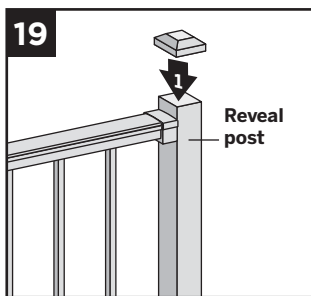
HOW TO INSTALL HORIZONTAL RAILING/CONTINUED

TREX REVEAL

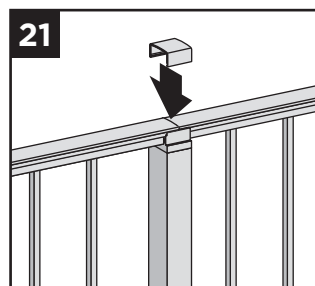
Attachment of Bracket Covers, Skirts, and Caps



17. Attach corresponding bracket covers over opening in upper and bottom rails.
18. Attach provided post skirt to bottom of posts when using Reveal posts.



19. Attach post caps to Reveal posts (use of **rubber mallet** may be required for secure attachment).
20. Attach post caps to post sleeves using external grade PVC construction adhesive.
21. For crossover post configuration, attach crossover post cap to crossover post.

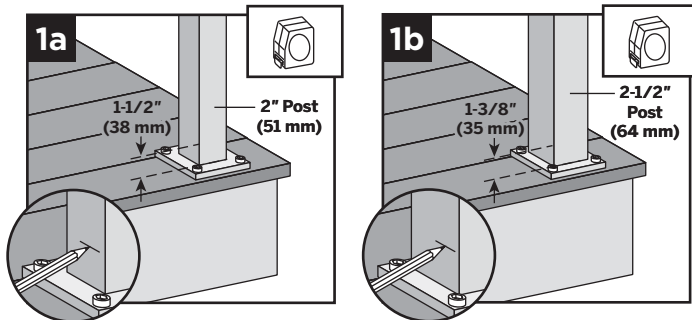


HOW TO INSTALL HORIZONTAL SWIVEL BRACKETS

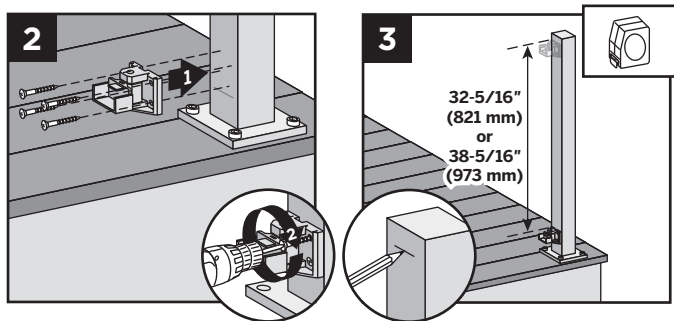
TREX REVEAL

Attach Swivel Bracket Base using Reveal Posts

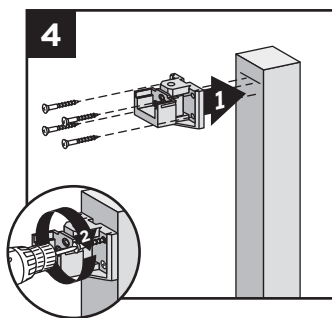
TIP: Use a clamp to help hold brackets in place while fastening with screws.



- 1a. When using 2" (51 mm) post, for both post-to-post and post-to-cross-over-post configurations, measure 1-1/2" (38 mm) up from top of post base plate (or 1-7/8" [48 mm] from decking surface). Mark with light line.
- 1b. When using 2-1/2" (64 mm) post, measure 1-3/8" (35 mm) from top of post base plate (or 1-7/8" (48 mm) from decking surface). Mark with light line.



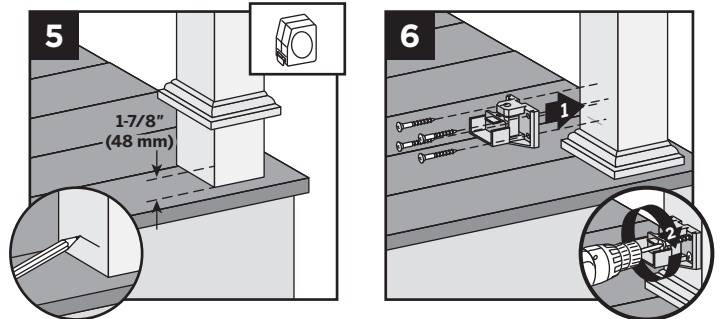
2. Center lower bracket on post **above** the marked line and attach using four self-tapping screws (*provided*).
3. Measure up 32-5/16" (821 mm) for 36" (914 mm) tall railing or 38-5/16" (973 mm) for 42" (1067 mm) tall railing from top of lower rail bracket. Mark with a light line.
4. Center upper bracket on post **below** marked line and attach using four self-tapping screws (*provided*).



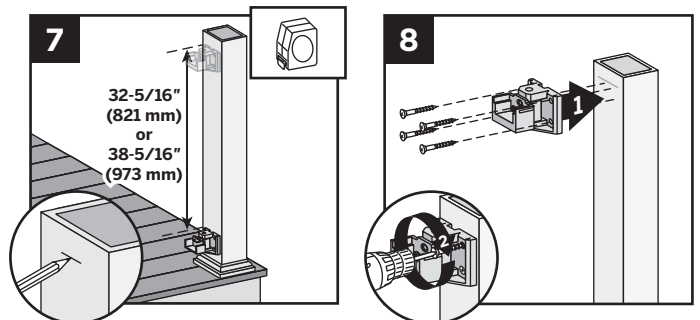
NOTE: Upper bracket is not required on crossover post configuration.

Attach Brackets Using Pressure-Treated Posts and Post Sleeves

TIP: Use a clamp to help hold brackets in place while fastening with screws.



5. Measure 1-7/8" (48 mm) up from deck surface to bottom of bracket. Slide skirt up to allow for proper measurement, then push skirt back down onto surface of decking **BEFORE ATTACHING BRACKET**. Mark with light line.
6. Center lower bracket on post **above** the marked line and attach using four 2" (51 mm) wood screws (*provided*).



7. Measure up 32-5/16" (821 mm) for 36" (914 mm) tall railing or 38-5/16" (973 mm) for 42" (1067 mm) tall railing from top of lower rail bracket. Mark with a light line.
8. Center upper bracket on post **below** marked line and attach using four 2" (51 mm) wood screws (*provided*).

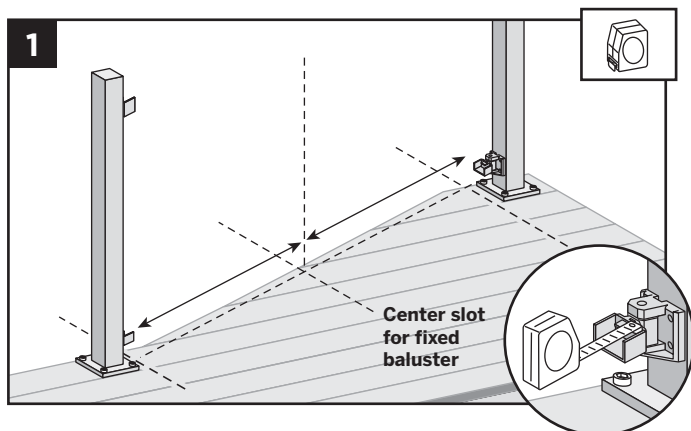
HOW TO INSTALL HORIZONTAL SWIVEL RAILING

TREX REVEAL

NOTES:

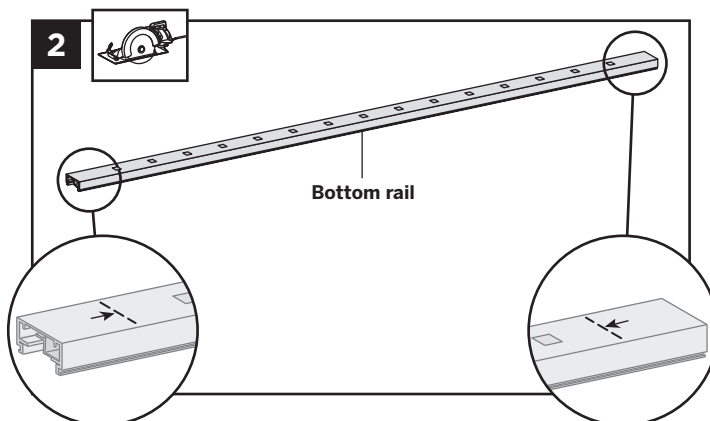
- » **WHEN USING REVEAL HORIZONTAL SWIVEL BRACKETS BOTH BOTTOM AND TOP RAILS WILL NEED TO BE MEASURED AND CUT TO APPROPRIATE LENGTHS.**
- » **HORIZONTAL SWIVEL BRACKETS CAN BE USED UP TO A 50° ANGLE FOR REVEAL RAILINGS.**
- » **WHEN USING HORIZONTAL SWIVEL BRACKETS VERY IMPORTANT TO LAY OUT LOCATION AND ORIENTATION OF POSTS AND SWIVEL BRACKETS BEFORE INSTALLING SWIVEL BRACKETS.**
- » **WHEN RAILINGS ARE CUT TO ODD SPANS, ALL SPANS GREATER THAN 5' (1.52 M) (EXAMPLE: 8' (2.44 M) SPAN CUT INTO ONE 5' (1.52 M) SPAN AND ONE 3' (0.91 M) SPAN) WOULD REQUIRE FOOT BLOCK UNDER 5' (1.52 M) SPAN SINCE SMALLER FIXED BALUSTER IS NO LONGER CENTERED).**

How to Measure and Cut Bottom and Top Railings

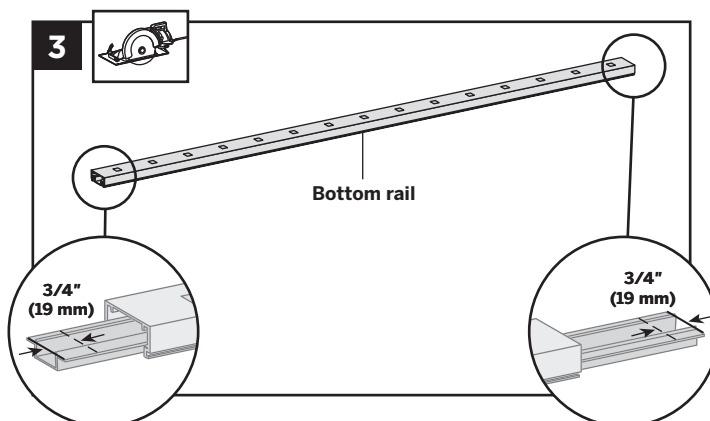


1. With brackets in correct swivel location, measure distance from inside of bracket to inside of bracket. ENSURE THAT BEFORE CUTTING, BALUSTERS HOLES ON BOTH BOTTOM AND TOP RAIL LINE UP. ALSO MAKE SURE CENTER BALUSTER SLOT IS AS CLOSE TO THE MIDDLE OF THE SPAN AS POSSIBLE. In some cases due to odd railing spans, the center baluster may need to be offset in one or the other direction to ensure there is enough room at both post locations for balusters to be placed.

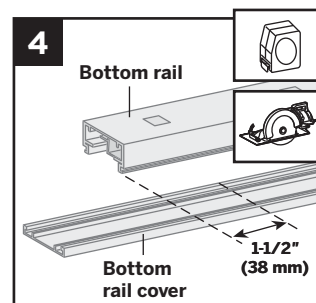
Cutting Bottom Rail and Bottom Rail Cover



2. Cut bottom rail to the measurement between the bottom swivel brackets



3. Slide rail insert out and cut 3/4" (19 mm) **FROM EACH SIDE** of insert, then slide back inside rail and center.
4. Mark and cut bottom rail cover 1-1/2" (38 mm) shorter than bottom rail.



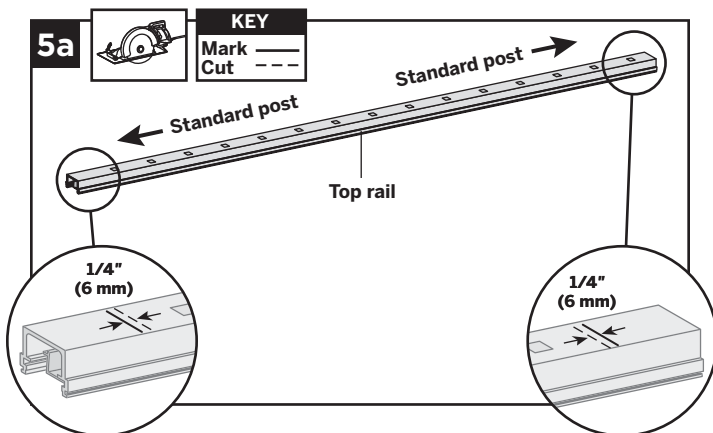
HOW TO INSTALL HORIZONTAL SWIVEL RAILING/CONTINUED

TREX REVEAL

Cutting Top Rail

Option 1:

For Post-to-Post Configuration

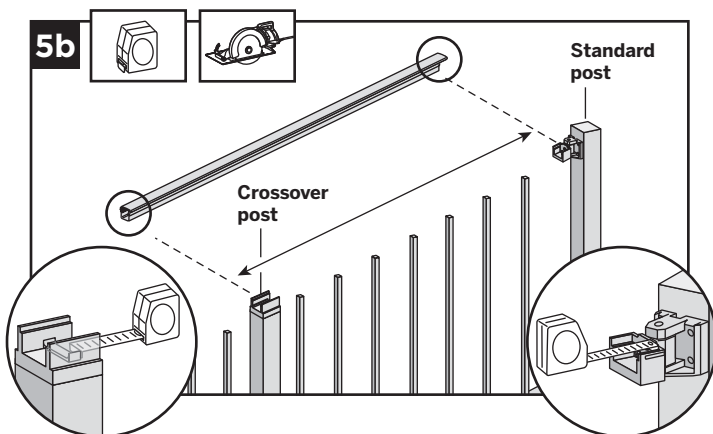


5a. Cut top rail to the measurement between the top swivel brackets. For standard-post-to-standard-post configurations this would be same dimensions as that of the bottom rail.

Cutting Top Rail

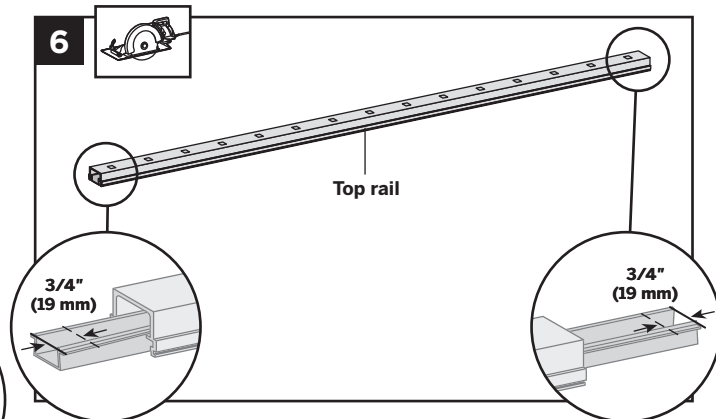
Option 2:

For Post-to-Crossover Post Configuration



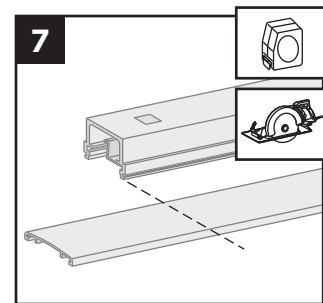
5b. When going from standard post-to-crossover post, measurement must be taken from inside of top horizontal swivel bracket to inside lip of crossover bracket (which is attached to top of crossover post).

Cutting Top Rail Insert and Cover



6. Slide rail insert out and cut 3/4" (19 mm) **FROM EACH SIDE** of insert, then slide back inside rail and center.

7. Mark and cut top rail cover same length as top rail for all top rail configurations.



8. **Attaching Center Baluster to Bottom Rail**
See instructions on page 75.

9. **Attaching Bottom Rail Cover and Bottom Rail to Brackets**
See instructions on page 75.

10. **Installing Remaining Balusters into Bottom Rail**
See instructions on page 75.

11. **Attach Upper Railings**
See instructions on page 77.

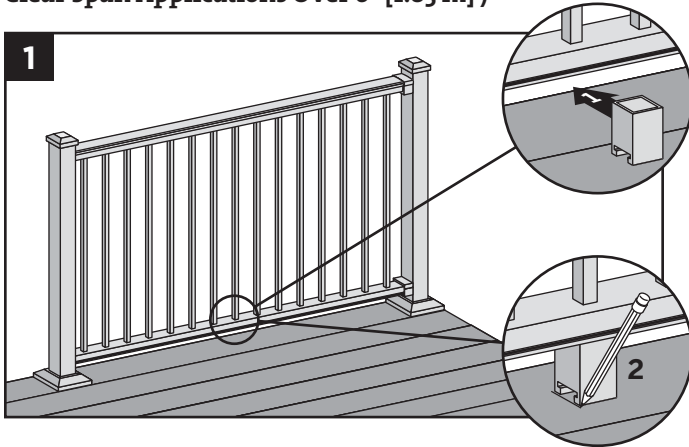
12. **Attachment of Bracket Covers, Skirts, and Caps**
See instructions on page 77.

13. **Attachment of Foot Block (Required ONLY for All Clear Span Applications Over 6' [1.83 m])**
See instructions on page 81.

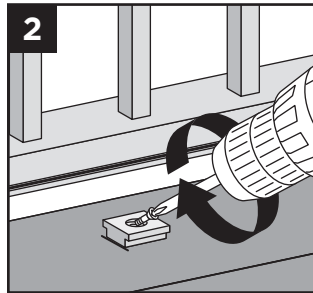
HOW TO INSTALL FOOT BLOCKS - HORIZONTAL RAILING

TREX REVEAL

Attachment of Foot Block (Required ONLY for All Clear Span Applications Over 6' [1.83 m])

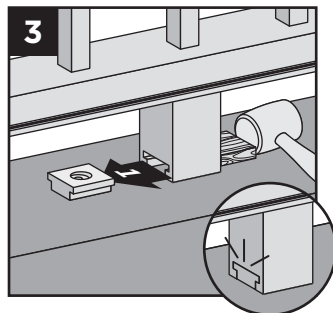


1. To ensure correct location, place foot block under center of bottom rail. Mark to provide placement location of base.
2. Place base (smaller side facing down) on decking surface. Attach base of foot block using one screw at an angle through base and into decking.



NOTE: Pre-drilling is recommended (1/8" [3 mm] drill bit) for attachment of base.

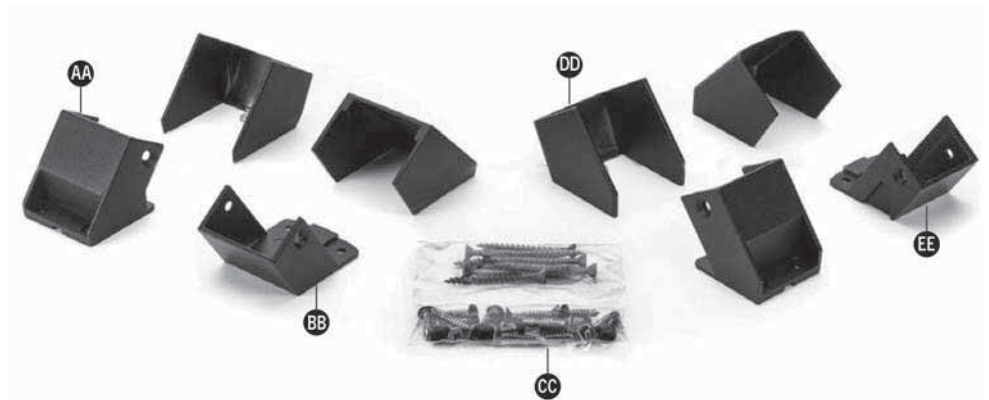
3. After attached, use a **rubber mallet along with scrap piece of wood** to tap foot block until it locks into place.



**BRACKET HARDWARE - STAIR APPLICATIONS
(INCLUDING STAIR SWIVEL BRACKETS, STAIR CROSSOVER BRACKET,
AND COMPOUND SWIVEL BRACKETS)
TREX REVEAL**

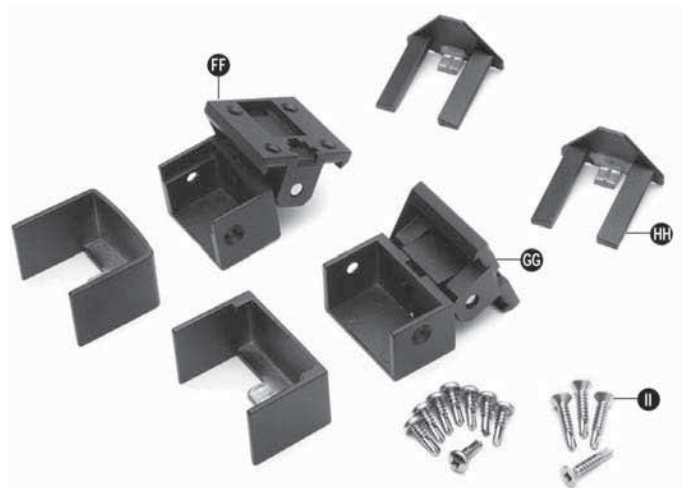
FIXED BRACKET - STAIR HARDWARE

- AA. Bottom stair bracket and cover – Lower rail
- BB. Top stair bracket and cover – Lower rail
- CC. Fastener pack
- DD. Bottom stair bracket and cover – Upper rail
- EE. Top stair bracket and cover – Upper rail



SWIVEL BRACKET - STAIR HARDWARE

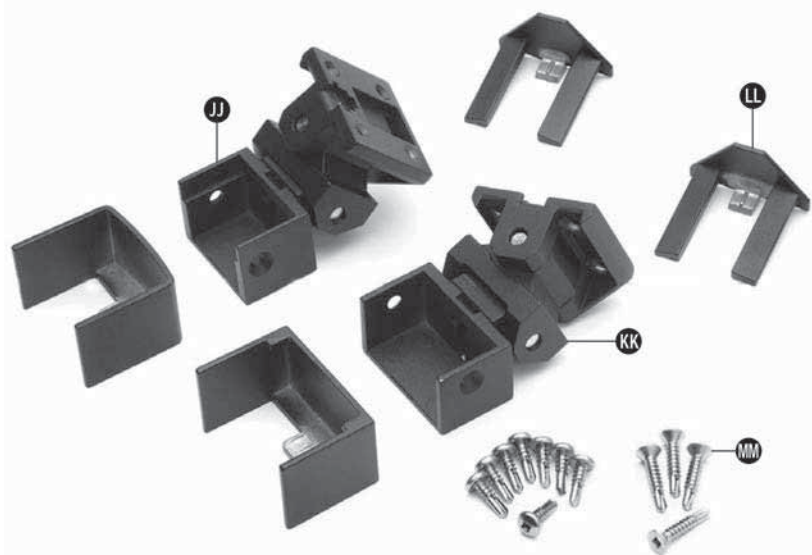
- FF. Swivel top rail bracket and cover – Stair
- GG. Swivel bottom rail bracket and cover – Stair
- HH. Fastener covers
- II. Fastener pack



**BRACKET HARDWARE - STAIR APPLICATIONS
(INCLUDING STAIR SWIVEL BRACKETS, STAIR CROSSOVER BRACKET,
AND COMPOUND SWIVEL BRACKETS)/CONTINUED**
TREX REVEAL

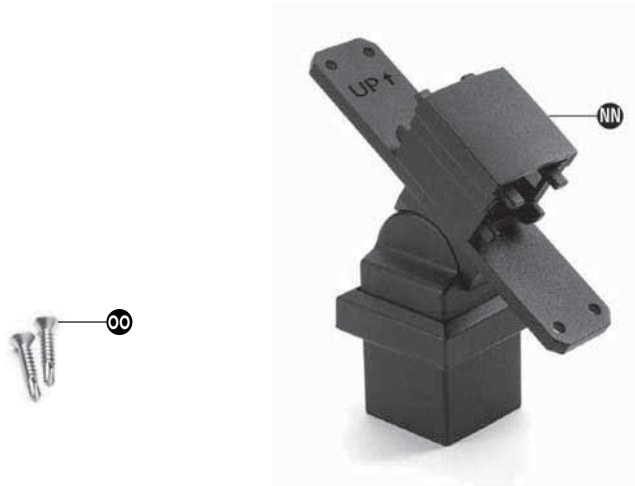
COMPOUND SWIVEL BRACKET - STAIR HARDWARE

- JJ. Compound swivel top rail bracket and cover – Stair
- KK. Compound swivel bottom rail bracket and cover – Stair
- LL. Fastener covers
- MM. Fastener pack



SWIVEL CROSSOVER BRACKET KIT - STAIR HARDWARE

- NN. Swivel crossover bracket – Stair
- OO. Post-to-Bracket fasteners



NOTE: Construction methods are always improving. Please refer to www.trex.com for the most up-to-date installation requirements.

HOW TO INSTALL REVEAL STAIR POSTS AND STAIR RAILING

TREX REVEAL

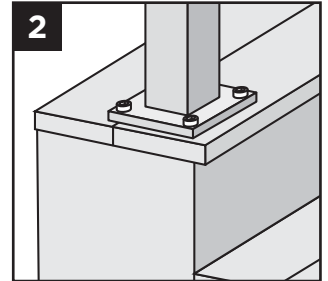
IMPORTANT NOTES:

- » **ALL REVEAL STAIR INSTALLATIONS REQUIRE THE USE OF 53" (1346 MM) STAIR POST, MEASURED AND CUT TO APPROPRIATE LENGTH IF REQUIRED.**
- » **IF CROSSOVER STAIR POST IS REQUIRED, USE STAIR POST (AGAIN CUT TO APPROPRIATE LENGTH IF REQUIRED) AND USE SWIVEL CROSSOVER BRACKET.**
- » **REVEAL STAIR FIXED BRACKETS ARE DESIGNED TO WORK ONLY WITH STAIR SLOPES OF 32°-37°.**
- » **FOR SMALLER (LESS THAN 32°) OR LARGER ANGLES (GREATER THAN 37°) USE THE REVEAL STAIR SWIVEL BRACKETS.**
- » **REVEAL COMPOUND SWIVEL STAIR BRACKETS ARE DESIGNED FOR FLARED STAIR DESIGNS.**
- » **IF INSTALLING STAIR RAILINGS AT EXACT SPAN LENGTHS OF 6' (1.83 M) OR 8' (2.44 M) AND USING POST TO POST CONFIGURATION, THE BOTTOM STAIR RAIL WILL NOT NEED TO BE CUT*, BUT THE TOP STAIR RAIL WILL NEED TO BE MEASURED (MAKING SURE BALUSTERS LINE UP VERTICALLY) AND CUT.**
- » **IF INSTALLING STAIR RAILINGS AT EXACT SPAN LENGTHS OF 6' (1.83 M) OR 8' (2.44 M), AND USING CROSSOVER POST CONFIGURATION (SPANS FROM ONE CROSSOVER POST TO ANOTHER CROSSOVER POST), BOTH THE BOTTOM AND TOP STAIR RAILS WILL NOT NEED TO BE CUT* IF THE ANGLE IS APPROXIMATELY 34°.**
- » **AT ALL FINAL END POST CONFIGURATIONS, TOP STAIR RAIL WILL NEED TO BE MEASURED (MAKING SURE BALUSTERS LINE UP VERTICALLY) AND CUT.**
- » **FOR ODD SPAN LENGTHS, BOTH BOTTOM AND TOP STAIR RAILS WILL NEED TO BE MEASURED (MAKING SURE BALUSTERS LINE UP VERTICALLY) AND CUT. ALSO ENSURE THAT BALUSTERS ARE SPACED WITH EQUAL DISTANCE ON EACH SIDE OF THE POST.**

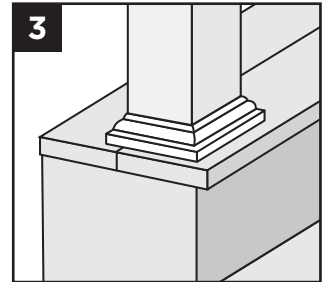
* Rails that do not require cutting must be oriented in the correct direction to ensure balusters are spaced properly when installed in brackets. On both bottom and top stair railings, baluster hole closest to the end of the each stair rail is to be installed at the top of the stair section. Ensure that both bottom and top rails are correct and balusters line up vertically before installing.

Installing Standard Reveal Stair Posts, Reveal Stair Crossover Posts, or Pressure-Treated Post, Post Sleeves, and Skirts

1. Make sure 53" (1356 mm) posts are used for all stair posts.
2. If Reveal stair posts are used, install at nose of stair tread directly under required blocking. See *Reveal horizontal post instructions on page 70 for details.*



3. If pressure-treated post/post sleeves are used, posts are to be installed to the inside of the last stair stringer (rails must be over decking surface). See *pressure-treated post instructions on page 70 for details.*

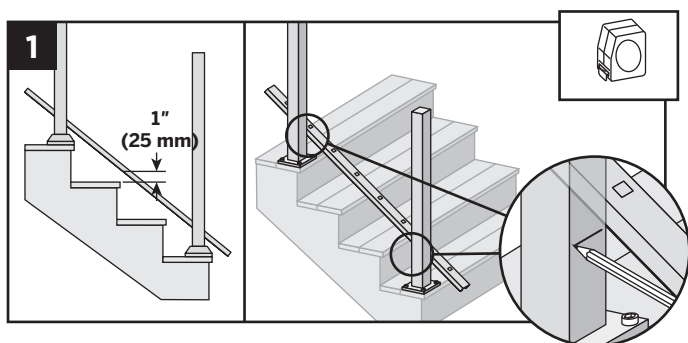


ATTACHING STAIR BRACKETS (FIXED STAIR, STAIR SWIVEL, AND COMPOUND SWIVEL) TO REVEAL POSTS AND PRESSURE-TREATED POSTS AND POST SLEEVES

TREX REVEAL

NOTES:

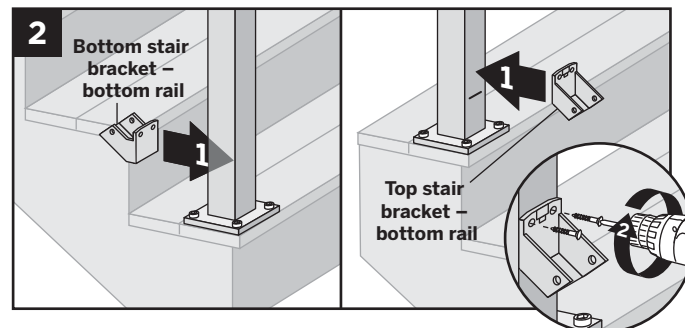
- » All Reveal fixed stair brackets work **ONLY** with stair slopes of 32° to 37°.
- » Illustrations shown are representations when using Reveal post, but same rules apply if using pressure-treated posts and post sleeves.
- » Use a clamp to help hold stair brackets in place while fastening with screws.
- » **IMPORTANT NOTE: BEFORE ATTACHING ANY UPPER BRACKETS MAKE SURE PROPER RAILING HEIGHTS ARE ACHIEVED. RAILING HEIGHTS AND UPPER BRACKET HEIGHTS MAY NEED TO BE ADJUSTED, HOWEVER, DO NOT REDUCE HEIGHTS BASED ON YOUR RAILING CODE REQUIREMENTS. MEASURE CAREFULLY as dimension heights may need to be adjusted!**



1. Lay bottom stair rail on steps beside posts. Position bottom rail at least 1" (25 mm) **above** nose of stair tread.

TIP: Use a 1" (25 mm) deck board as a spacer board and clamp rails to post. Mark where lower brackets are to be attached to both posts. Mark at underside of railing location.

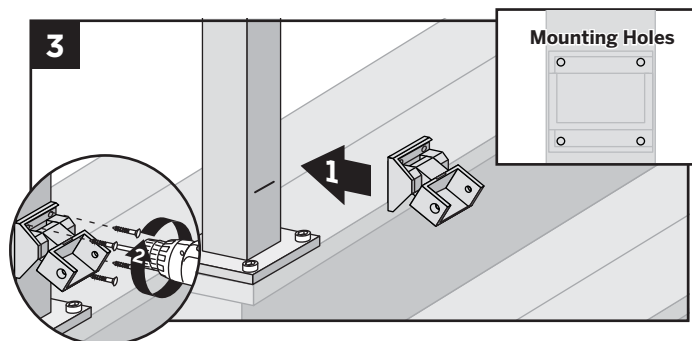
Installing Lower Fixed Stair Brackets



2. Center lower stair bracket on post above the marked line and attach using two self-tapping screws (*provided*). In some cases it may be difficult to attach the stair bracket on the lower stair post. Recommend using a 90° cordless drill in this area if possible to attach screws.

Installing Lower Stair Swivel and Compound Swivel Brackets

NOTE: Picture reflects lower stair swivel bracket.

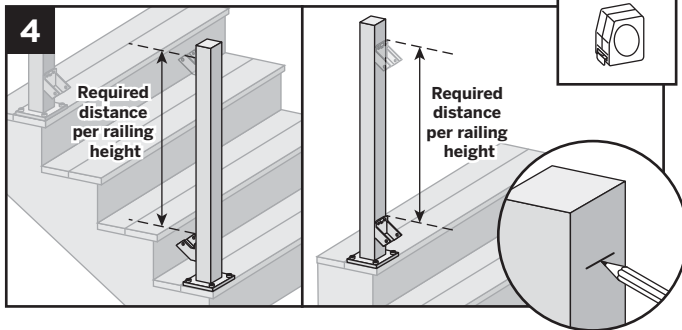


3. Center lower stair swivel bracket on post above the marked line and attach using four self-tapping screws (*provided*). In some cases it may be difficult to attach the stair bracket on the lower stair post. Recommend using a 90° cordless drill in this area if possible to attach screws.

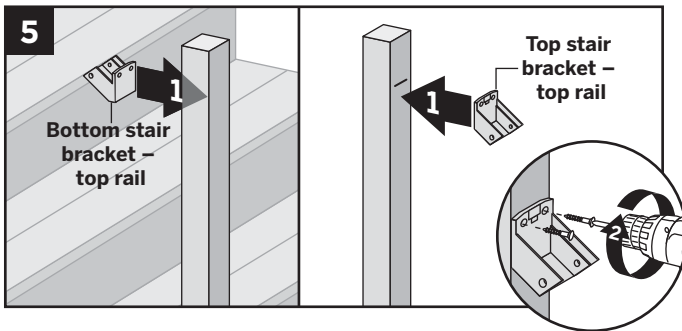
ATTACHING STAIR BRACKETS (FIXED STAIR, STAIR SWIVEL, AND COMPOUND SWIVEL) TO REVEAL POSTS AND PRESSURE-TREATED POSTS AND POST SLEEVES/CONTINUED

TREX REVEAL

Installing Upper Fixed Stair Brackets



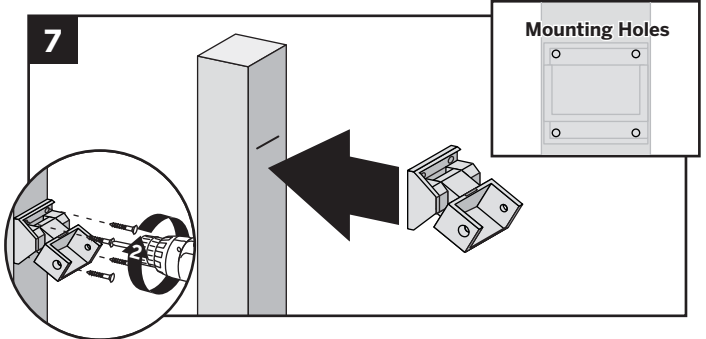
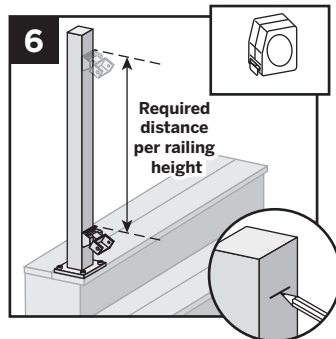
4. Measure up required dimension for 36" (914 mm) tall railing or 42" (1067 mm) tall railing, from top of lower stair rail fixed bracket. Mark with light line.



5. Center upper stair fixed bracket on post **below** the marked line and attach using two self-tapping screws (*provided*).

Installing Upper Stair Swivel And Compound Swivel Brackets

6. Measure up required dimension for 36" (914 mm) tall railing or for 42" (1067 mm) tall railing, from top of lower stair rail swivel bracket. Mark with light line.

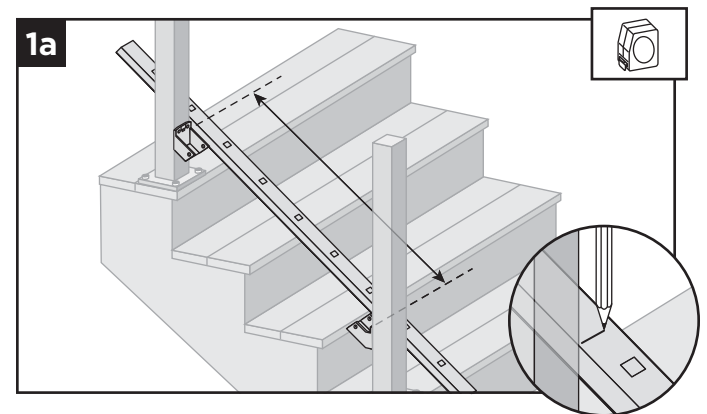


7. Center upper stair swivel bracket on post **below** the marked line and attach using four self-tapping screws (*provided*).

NOTE: Upper bracket is not required on crossover post configurations.

How to Measure Bottom Stair Railings (WHEN REQUIRED)

When Using Fixed Stair Brackets:

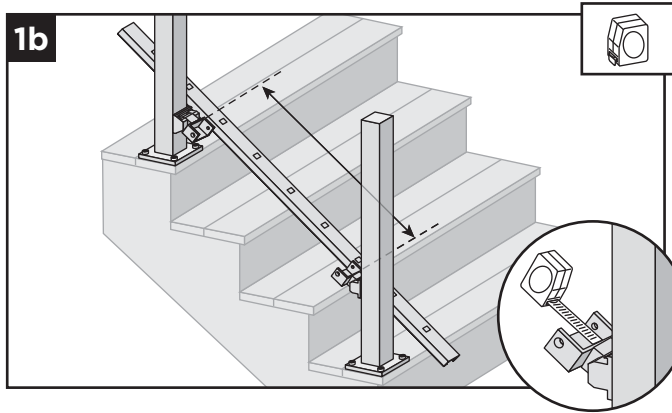


- 1a. Position bottom stair rail along the nose of the stair treads. Ensure that before cutting, balusters holes are centered in between the posts and also allow for clearance for attachment to brackets. Mark bottom stair rail at each intersection.

ATTACHING STAIR BRACKETS (FIXED STAIR, STAIR SWIVEL, AND COMPOUND SWIVEL) TO REVEAL POSTS AND PRESSURE-TREATED POSTS AND POST SLEEVES/CONTINUED

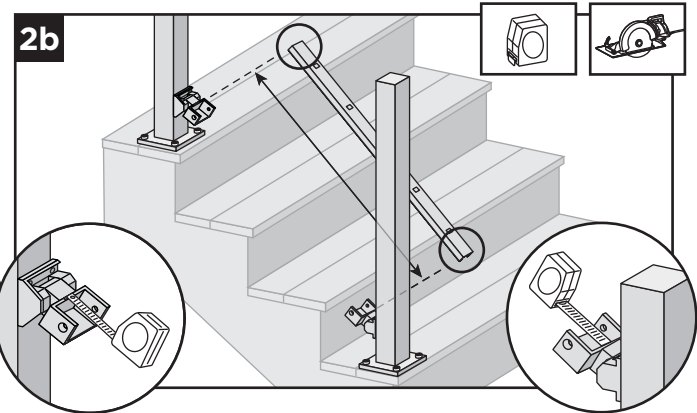
TREX REVEAL

When using Stair Swivel and Compound Swivel Brackets:



1b. With brackets in correct swivel locations, measure distance from inside of swivel bracket to inside of swivel bracket. Ensure that before cutting, balusters holes are parallel and centered in between the posts and also allow for clearance for attachment to brackets. Mark bottom stair rail at each intersection.

When using Stair Swivel or Compound Swivel Brackets:

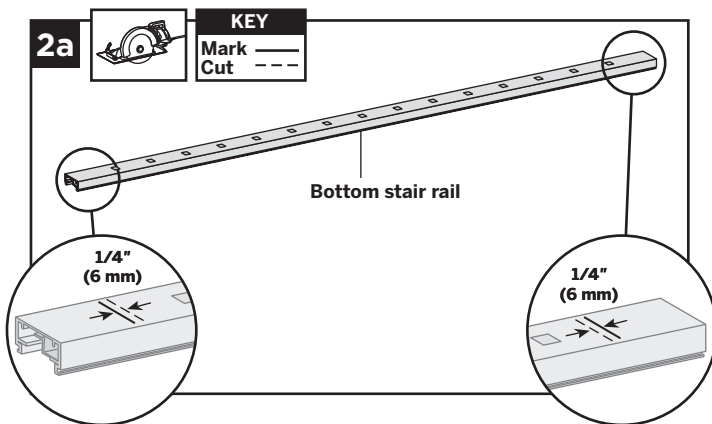


2b. Cut each end of the bottom rail, rail insert, and bottom rail cover at the mark on each end to allow for fit into bottom stair rail brackets.

NOTE: Railing does not need to be cut at angle. Brackets are designed to allow for railing to be installed with standard straight cut.

Cutting Bottom Stair Rail, Bottom Stair Rail Cover, and Attachment of Bottom Stair Rail Cover

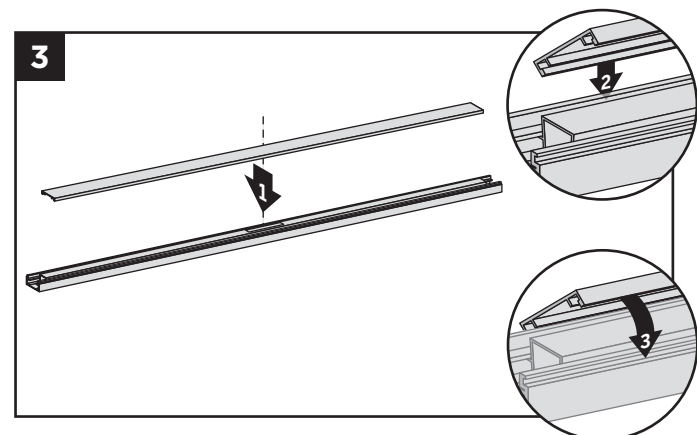
When using Fixed Stair Brackets:



2a. Cut each end of the bottom stair rail, rail insert, and bottom rail cover 1/4" (6 mm) shorter than the mark on each end to allow for fit into bottom stair rail brackets.

NOTE: Railing does not need to be cut at angle. Brackets are designed to allow for railing to be installed with standard straight cut.

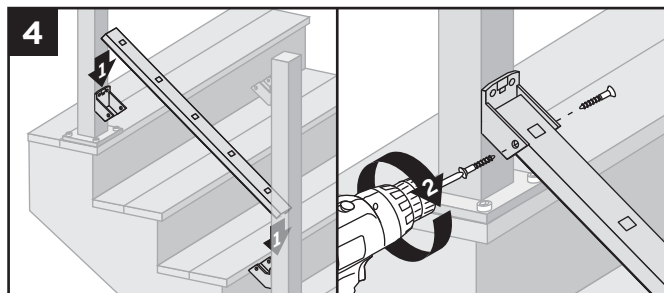
Attachment of Bottom Stair Rail Cover and Bottom Stair Rail to Brackets



3. Attach "flat" bottom stair rail cover to bottom stair rail. Align cover on one side of the bottom rail in slot on side of rail. Then starting from one end of rail snap cover onto opposing slot working down the length of the rail. In some cases, a **rubber mallet** may facilitate the fastening using **GENTLE** tapping.

ATTACHING STAIR BRACKETS (FIXED STAIR, STAIR SWIVEL, AND COMPOUND SWIVEL) TO REVEAL POSTS AND PRESSURE-TREATED POSTS AND POST SLEEVES/CONTINUED

TREX REVEAL



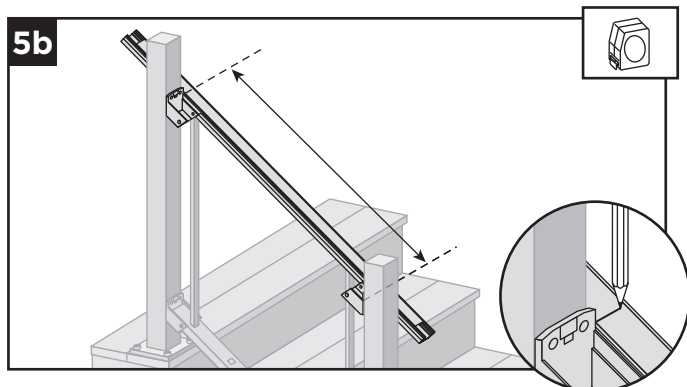
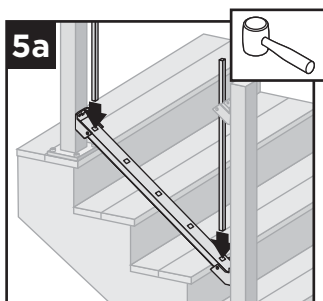
4. Set bottom stair rail into bottom stair rail brackets. Attach bottom stair rail to bottom stair bracket using two self-tapping screws (*provided*) on each side of bracket.

How to Measure Top Stair Railings (WHEN REQUIRED):

IMPORTANT NOTE: BEFORE CUTTING ANY TOP RAILS MAKE SURE THAT WHEN MEASURING ALL BALUSTER HOLES LINE UP PARALLEL!

When Using Fixed Stair Brackets:

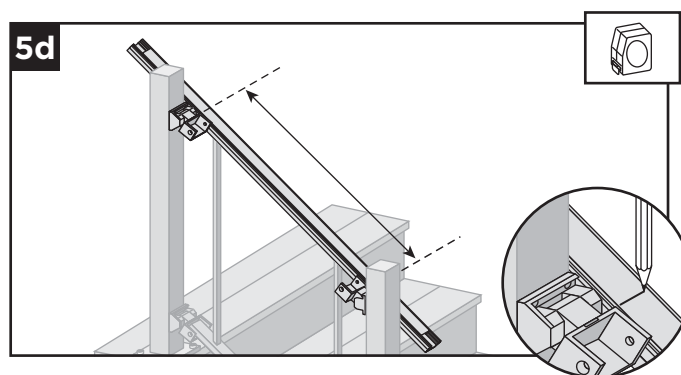
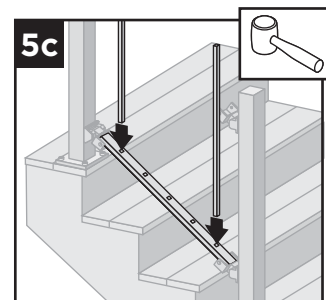
- 5a. Place two balusters into lower rail at each end closest to post.



- 5b. Position top rail onto balusters (position to side of post) and ENSURE that balusters are parallel with post. Mark top stair rail at each intersection.

When using Stair Swivel and Compound Swivel Brackets:

- 5c. Place two balusters into lower rail at each end closest to post.

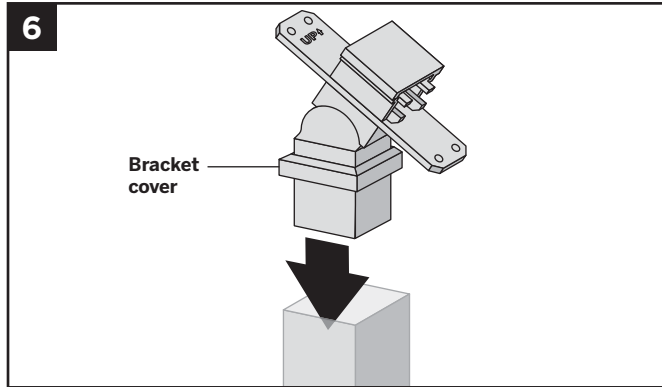


- 5d. Position top rail onto balusters (position to side of post) and ENSURE that balusters are parallel with post. With brackets in correct swivel location, measure distance from inside of swivel bracket to inside of swivel bracket. Mark top stair rail at each intersection.

ATTACHING STAIR BRACKETS (FIXED STAIR, STAIR SWIVEL, AND COMPOUND SWIVEL) TO REVEAL POSTS AND PRESSURE-TREATED POSTS AND POST SLEEVES/CONTINUED

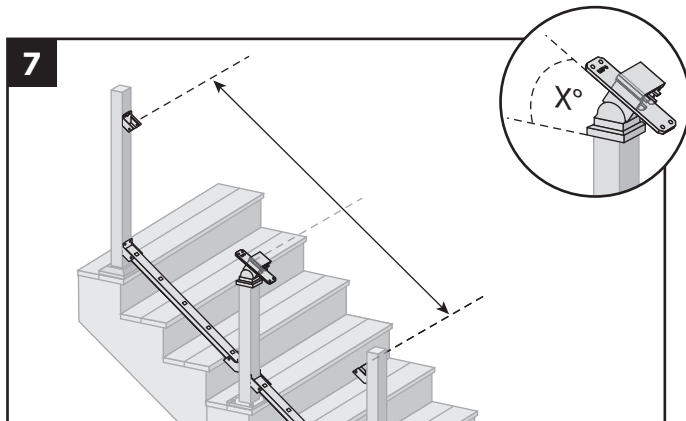
TREX REVEAL

Attaching Stair Crossover Swivel Bracket to Post

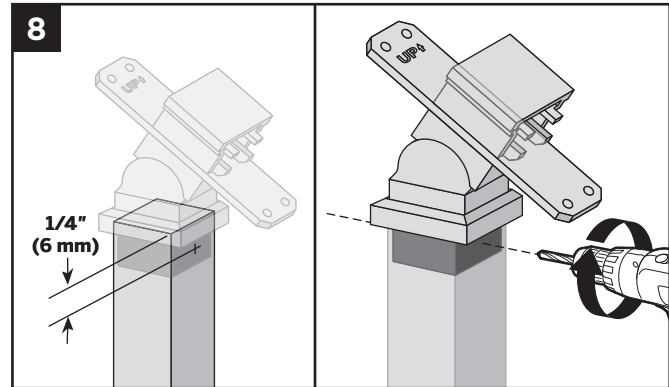


6. Insert stair crossover swivel bracket into post.

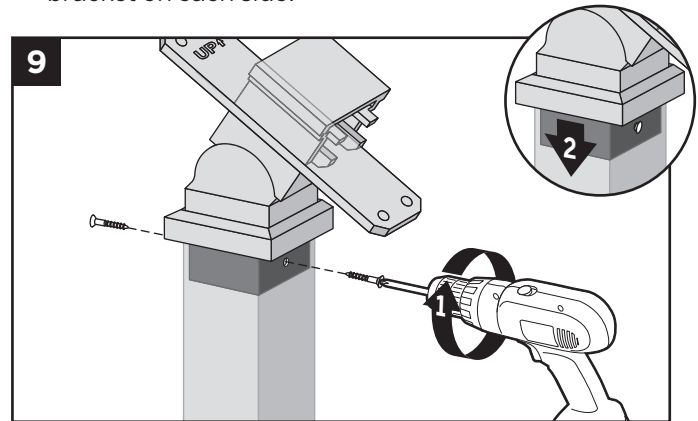
NOTE: Keep the bracket cover on when inserting this into post, this will cover the screw attachment area.



7. Determine location/height of the stair crossover swivel bracket by aligning the angle of this with the fixed brackets (or compound swivel brackets) already installed.



8. Once location/height is determined, center and pre-drill two holes (using a drill bit slightly smaller than that of self-tapping screw diameter) on opposite sides of post, approx. 1/4" (6 mm) from top of post. Drill through the post and into the stair crossover swivel bracket on each side.



9. Attach stair crossover swivel bracket to post with two self-tapping screws (provided). Slide cover over post to hide screws.

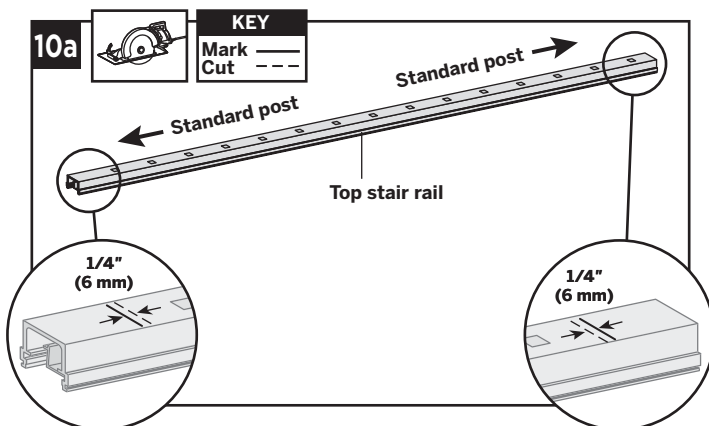
ATTACHING STAIR BRACKETS (FIXED STAIR, STAIR SWIVEL, AND COMPOUND SWIVEL) TO REVEAL POSTS AND PRESSURE-TREATED POSTS AND POST SLEEVES/CONTINUED

TREX REVEAL

Cutting Top Stair Rail and Rail Insert Option 1:

For Stair-Post-to-Stair-Post Configuration

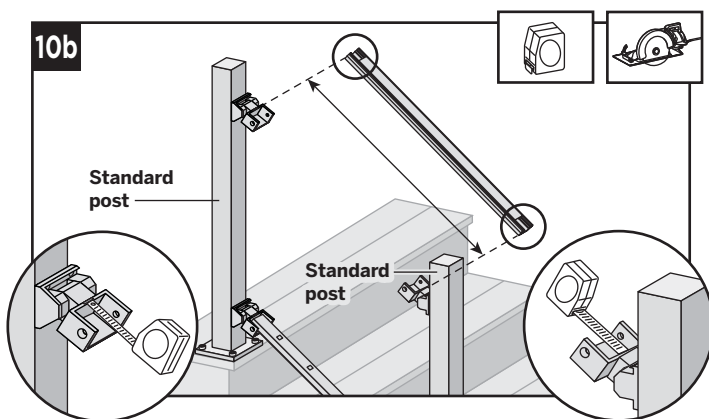
When Using Fixed Stair Brackets:



10a. Cut each end of top stair rail along with rail insert 1/4" (6 mm) shorter than mark to allow for fit into top stair rail bracket.

NOTE: Railing does not need to be cut at angle. Brackets are designed to allow for railing to be installed with standard straight cut.

When using Upper Stair Swivel and Compound Swivel Brackets:

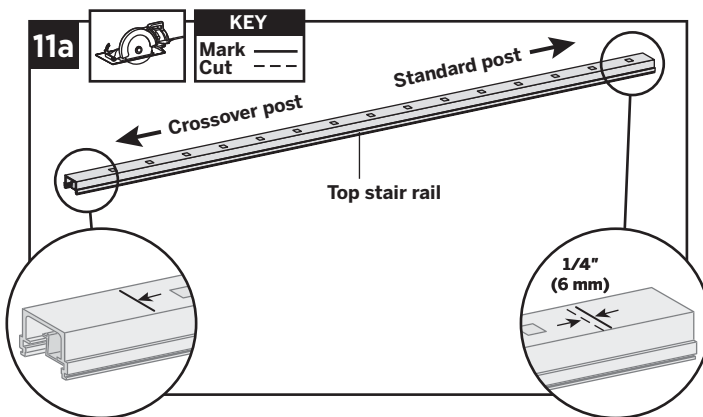


10b. Cut top rail along with rail insert to the measurement between the top stair swivel brackets. For standard-post-to-standard-post configurations, this would be same dimensions as that of the bottom stair rail.

Cutting Top Stair Rail and Insert Option 2:

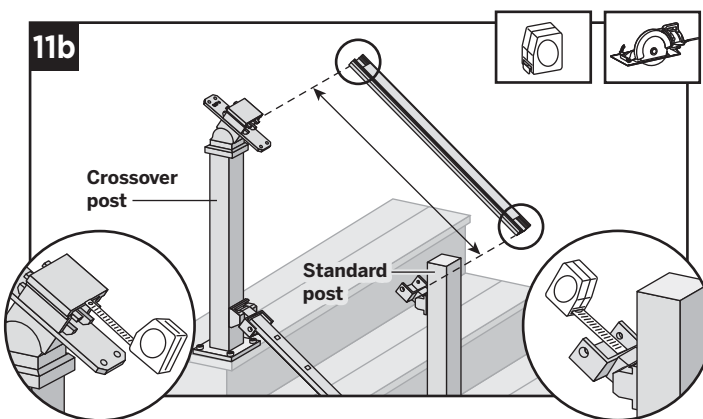
For Stair-Post-to-Stair-Crossover Post Configuration

When Using Fixed Stair Brackets:



11a. Top stair rail along with rail insert must be cut differently on each side of the rail. Railing side that attaches to standard post should be cut 1/4" (6 mm) shorter than the mark to allow for fit into top rail bracket. Railing side that attaches to the crossover post should be cut directly on the mark to allow for fit into the crossover post bracket.

When using Upper Stair Swivel and Stair Crossover Swivel Brackets:



11b. When going from standard-stair-post-to-stair-crossover post, measurement must be taken from inside of top horizontal stair swivel bracket to inside lip of stair crossover bracket (crossover post will need to be modified to have swivel crossover bracket installed).

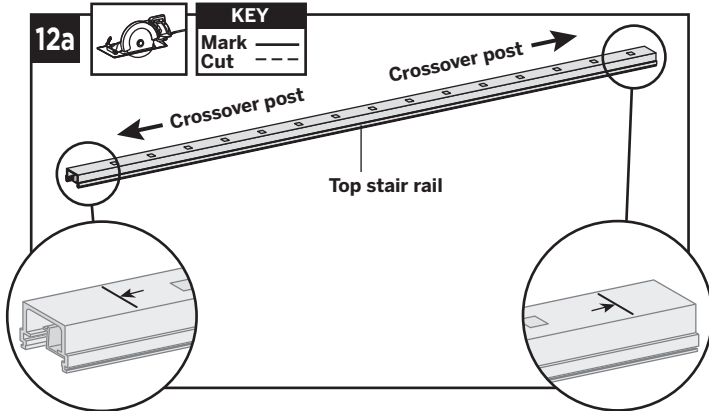
ATTACHING STAIR BRACKETS (FIXED STAIR, STAIR SWIVEL, AND COMPOUND SWIVEL) TO REVEAL POSTS AND PRESSURE-TREATED POSTS AND POST SLEEVES/CONTINUED

TREX REVEAL

Cutting Top Stair Rail and Rail Insert

Option 3:

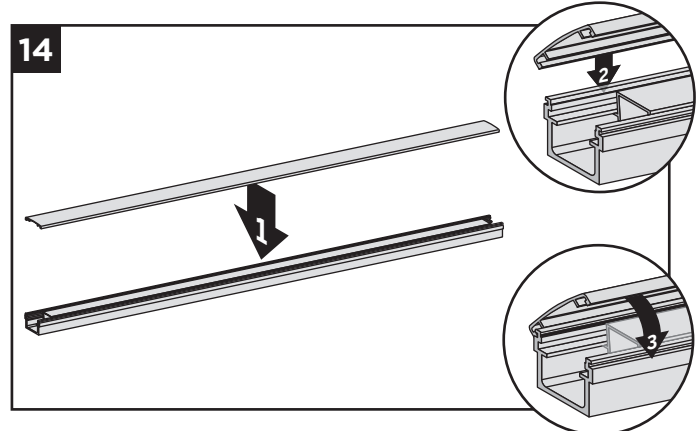
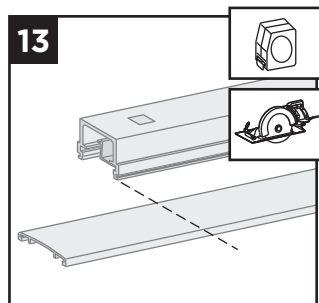
For Stair-Crossover-Post-to-Stair-Crossover Post Configuration



12a. Cut each end of the top stair rail along with rail insert on the mark line to allow for fit into the crossover post bracket on each side.

Cutting Top Stair Rail Cover, and Attachment of Top Stair Rail Cover

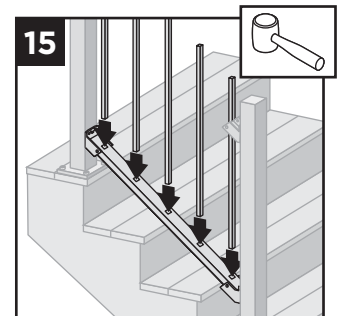
13. Mark and cut top rail cover same length as top rail for all top rail configurations.



14. Attach “crowned” upper stair rail cover to upper stair rail by aligning cover on one side of rail. Then starting from one end of stair rail, snap cover onto opposing slot working down length of stair rail. A **rubber mallet** may facilitate the fastening using **GENTLE** tapping.

Installing Balusters into Bottom Stair Rail

15. Place balusters into holes in lower stair rail by snapping fully into place. In some cases, a **rubber mallet** may facilitate the fastening using **GENTLE** tapping.

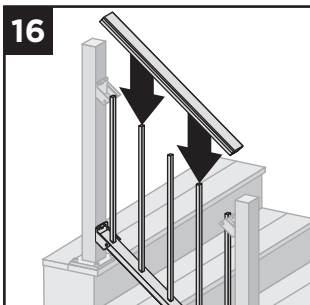


ATTACHING STAIR BRACKETS (FIXED STAIR, STAIR SWIVEL, AND COMPOUND SWIVEL) TO REVEAL POSTS AND PRESSURE-TREATED POSTS AND POST SLEEVES/CONTINUED

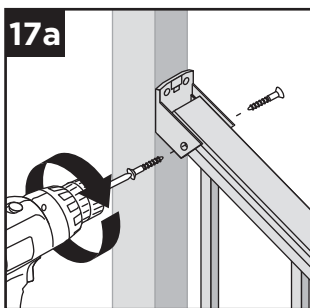
TREX REVEAL

Attaching Upper Stair Rails

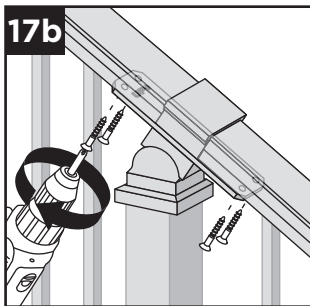
16. Working from one end of upper stair rail, snap balusters into upper stair rail working down length of rail.



17a. For stair post-to-post configuration, attach top stair rail to top stair bracket (all types) using two self-tapping screws (provided) on each side of stair bracket.

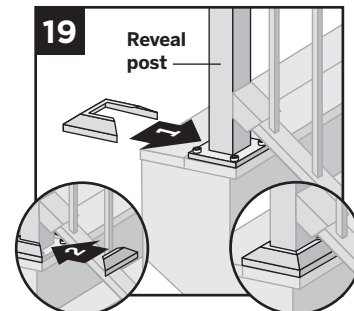
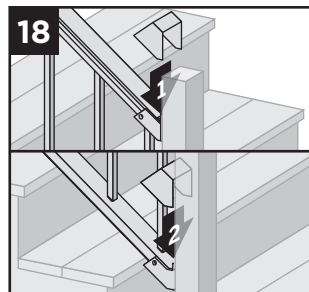


17b. For stair crossover post configuration, fasten upper stair rail to swivel crossover post bracket by installing screws diagonally through crossover stair bracket into upper rail using two self-tapping screws (provided) on each side.



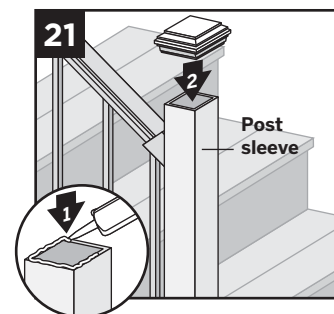
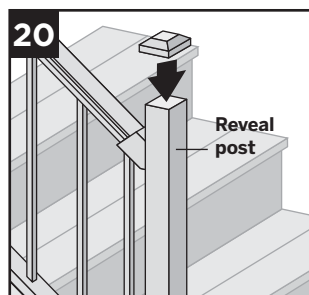
NOTE: Pre-drilling is recommended (7/64" [2.8 mm] drill bit) for attachment of stair railing to stair bracket.

Attachment of Stair Bracket Covers, Skirts, and Caps



18. Attach corresponding bracket covers over opening in upper and bottom rails.

19. Attach provided post skirt to bottom of posts when using Reveal posts.

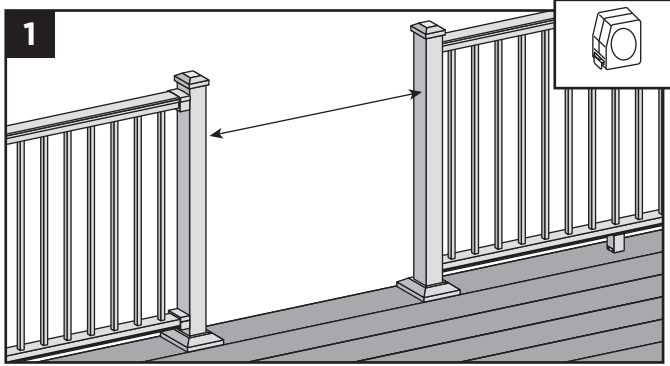


20. Attach post caps to Reveal posts (use of **rubber mallet** may be required for secure attachment).

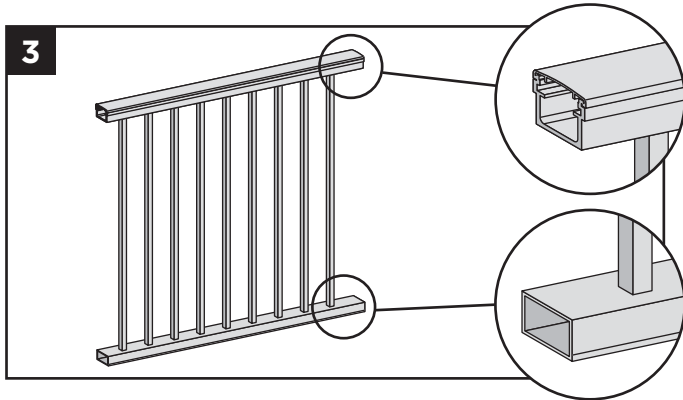
21. Attach post caps to post sleeves using external grade PVC construction adhesive.

INSTALLING ALUMINUM GATE

TREX ALUMINUM

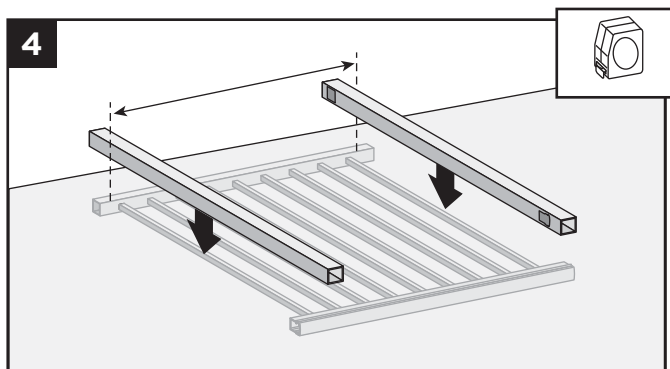


1. Measure opening between posts (gates can be customized to fit nearly any opening up to 48" [1219 mm] wide).
2. Subtract 1-7/8" (48 mm) from above measurement. This will allow for proper gapping and location of gate.

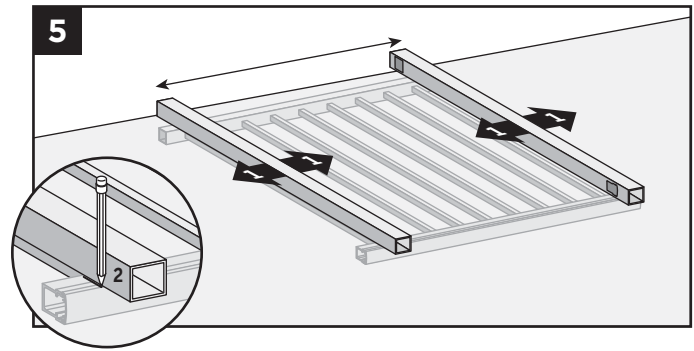


3. Identify top and bottom of panel.

NOTE: The posts only fit in one direction.

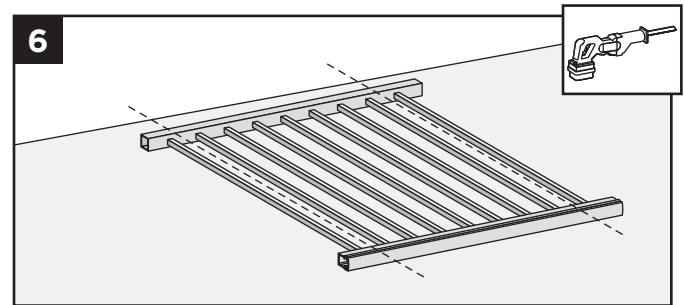


4. Lay panel on a flat non-marring surface. Place posts on top of panel. Place posts so that width measurement from Step 2 is to the outside of each post.

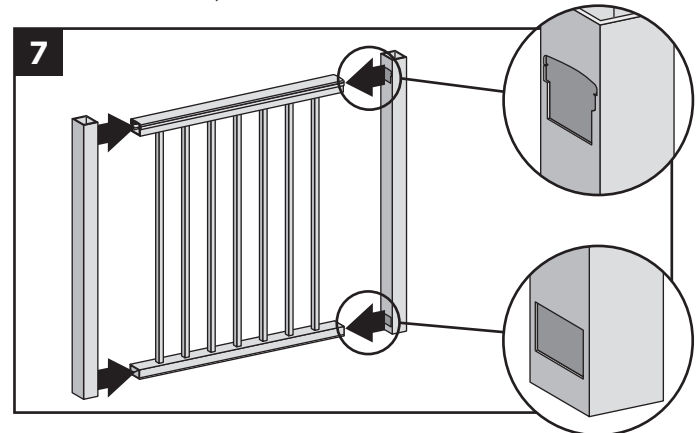


5. Adjust posts so that cut marks do not fall on a baluster. Make sure distance from first baluster to post is the same on both sides. Mark cut locations on panel.

NOTE: If widths do fall on a baluster, cut baluster flush at top and bottom prior to cutting panel.



6. Cut panel using a reciprocating saw (equipped with a metal blade).

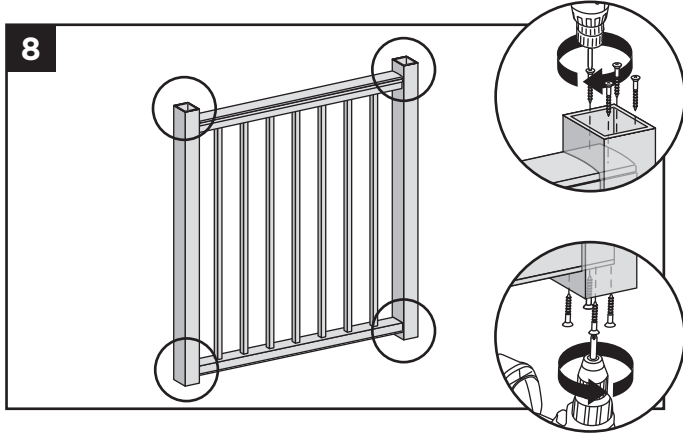


7. Insert posts into panel.

NOTE: Make sure top and bottom of panel orientation is correct.

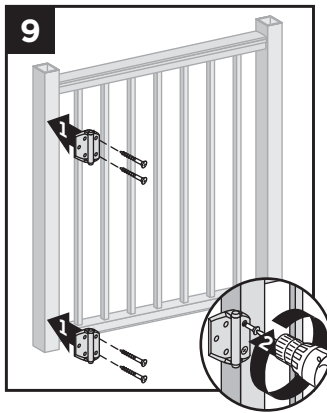
INSTALLING ALUMINUM GATE/CONTINUED



TREX ALUMINUM



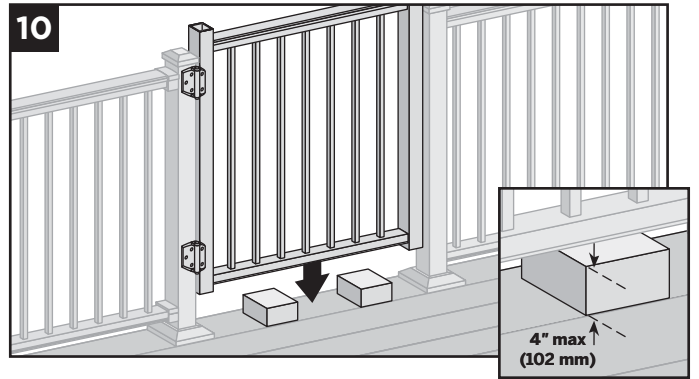
8. Secure posts to panel with four #8-18 short self-tapping screws (*provided*) in each location.
9. Attach shorter side of hinge to the gate.

NOTE: Refer to instructions included in hardware package. Be sure to use correct fasteners for aluminum. See chart below.



MINIMUM FASTENER SIZE		
SCREWS		
Type	Length	No.
Wood Screw 	2-1/2" (64 mm)	#9
Metal Screw 	2" (51 mm)	#8-18

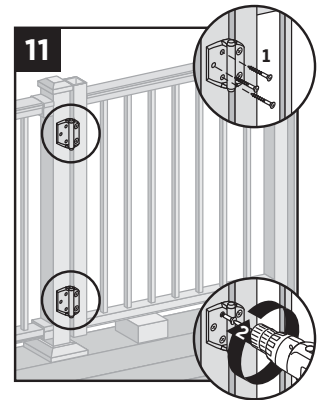
NOTE: Use of non-Trex hardware is not recommended and could result in serious injury or death.



10. Place gate in opening on blocks. Sweep between bottom of gate and top of deck cannot exceed 4" (102 mm) per IRC/IBC code regulations. Ensure bottom gate posts will be high enough to clear skirts on bottom of deck posts.
11. Make sure posts are plumb and gate is level. Attach longer side of hinges to post using appropriate hardware for type of post installed. Install hinge cover.

NOTES:

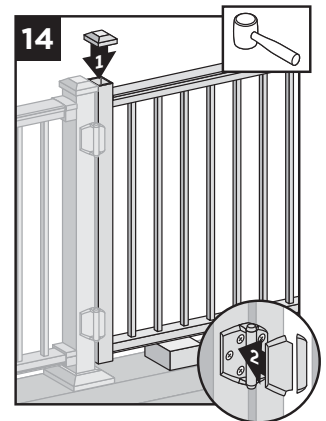
- » Both wood and aluminum screws are included in hardware kit. (Refer to chart under Step 9.)
- » If using Trex Post Mounts with Post Sleeves, pre-drilling is required using 1/8" (3 mm) drill bit, as you must go through both aluminum sleeve and internal post.



12. After determining location and height of hinge and hasp, install per instructions included with hardware kit.

13. Ensure proper operation of gate. Hinge tension is adjustable (*check hardware kit instructions for more detail*).

14. After gate installation, place blocks under gate for support. Use a rubber mallet to install cap onto gate post. Repeat for other gate post cap. Snap all hinge covers into place.

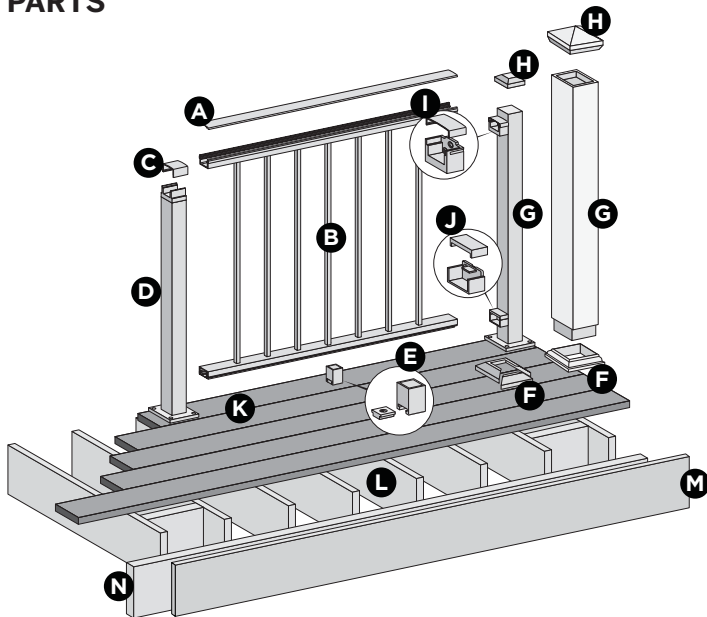


TREX REVEAL PANELS

NOTES:

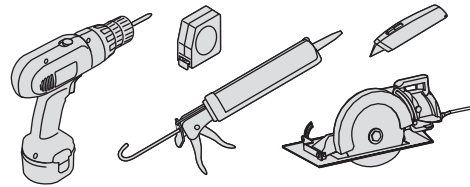
- » REVEAL RAILINGS ARE DESIGNED TO BE ATTACHED WITH POSTS INSTALLED AT A CLEAR SPAN OF 6' (1.83 M) OR 8' (2.44 M).
- » IF INSTALLING AT EXACT SPAN LENGTHS OF 6' (1.83 M) OR 8' (2.44 M), AND USING POST-TO-POST CONFIGURATION, THE BOTTOM RAIL WILL NOT NEED TO BE CUT, BUT THE TOP RAIL WILL NEED TO BE MEASURED AND CUT.
- » IF INSTALLING AT EXACT SPAN LENGTHS OF 6' (1.83 M) OR 8' (2.44 M), AND USING CROSSOVER POST CONFIGURATION (SPANS FROM ONE CROSSOVER POST TO ANOTHER CROSSOVER POST), BOTH THE BOTTOM RAIL AND TOP RAIL WILL NOT NEED TO BE CUT.
- » IN ADDITION, AT ALL FINAL END POST CONFIGURATIONS, TOP RAIL WILL NEED TO BE MEASURED AND CUT.
- » SEE INFORMATION WITHIN DETAILED INSTRUCTIONS FOR MORE INFORMATION.

PARTS



- A. Reveal upper rail cover*
 - 6' (actual length 73-1/2" [1867 mm])
 - 8' (actual length 97-1/2" [2477 mm])
- B. Reveal Panel (includes top and bottom railings and square balusters)
- C. Crossover bracket cover (supplied with crossover post)
- D. Reveal crossover post**
 - 36" (actual length 34-1/2" [876 mm])
 - 42" (actual length 40-1/2" [1029 mm])
- E. Reveal foot block***
- F. Reveal post skirt or post sleeve skirt**
- G. Reveal post**
 - 2-1/2"
 - 36" (actual length 37" [940 mm])
 - 42" (actual length 43" [1092 mm])
 - or Trex 4x4 post sleeve**
 - 36" (actual length 39" [991 mm])
 - 42" (actual length 45" [1143 mm])
- H. Reveal post cap or post sleeve cap**

TOOLS NEEDED



NOTES:

- » Trex Assembled Reveal Panels **DO NOT** come with foot blocks. You must purchase foot blocks separately. SKU – BKALFTBLK (one per panel required on spans greater than 6', see note below***).
- » Trex Assembled Reveal Panels **DO NOT** come with brackets and screws. You must purchase the horizontal rail hardware separately. SKU – BKFHBTAL (one per panel).

- I. Reveal upper rail bracket and cover
- J. Reveal lower rail bracket and cover
- K. Trex decking
- L. Code-approved wood joist 2" x 8" (51 mm x 203 mm) or larger
- M. Trex™ Fascia
- N. Code-approved wood rim joist 2" x 8" (51 mm x 203 mm) or larger

* Covers are slightly longer to accommodate crossover post applications.

** Item not included in Reveal Panel kits. Both 4" x 4" (102 mm x 102 mm) and 6" x 6" (152 mm x 152 mm) post sleeves are designed to fit over 4" x 4" pressure-treated post.

*** Required ONLY for all clear span applications over 6' (1.83 m) when fixed baluster is centered or unsupported spans greater than 5' (1.52 m). For example, if an 8' (2.44 m) panel is cut into a 5-1/2' (1.68 m) section, it would require a foot block due to the off-center placement of the fixed baluster.

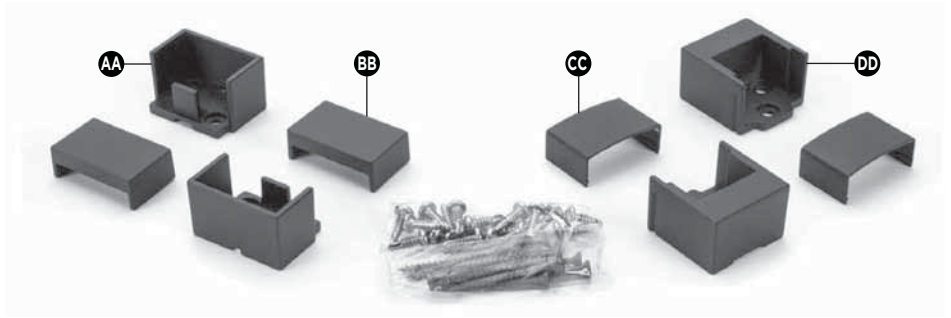
NOTE: If installing 42" (1067 mm) railing, and using pressure-treated posts with Trex post sleeves, ensure that a longer pressure-treated post is used along with longer post sleeve, both cut to a height of 46" (1168 mm) from decking surface.



BRACKET HARDWARE - HORIZONTAL APPLICATIONS (INCLUDING HORIZONTAL SWIVEL BRACKETS) TREX REVEAL®

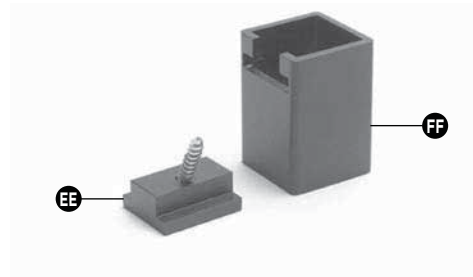
HORIZONTAL RAILING HARDWARE

- AA. Lower rail bracket
- BB. Lower rail bracket cover
- CC. Upper rail bracket cover
- DD. Upper rail bracket



FOOT BLOCK COMPONENTS

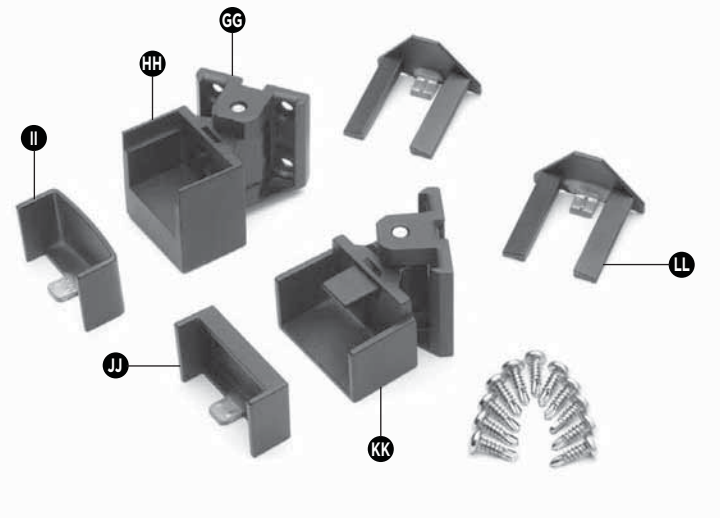
- EE. Foot block base
- FF. Foot block support



HORIZONTAL SWIVEL HARDWARE

- GG. Swivel base
- HH. Horizontal swivel bracket top rail
- II. Horizontal swivel bracket top rail cover
- JJ. Horizontal swivel bracket bottom rail cover
- KK. Horizontal swivel bracket bottom rail
- LL. Swivel base cover

NOTE: For measurements and detailed horizontal swivel hardware installation instructions, please see the complete Reveal installation section.

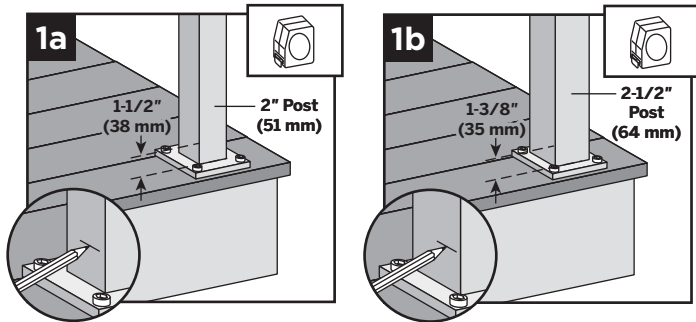


HOW TO INSTALL PANELS

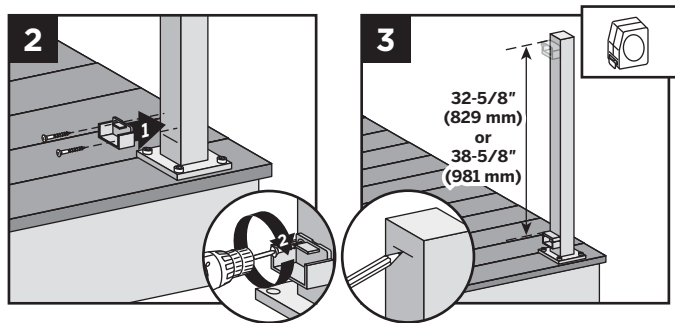
TREX REVEAL

Attach Brackets Using Reveal Posts

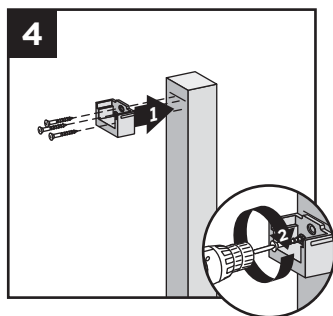
TIP: Use a clamp to help hold brackets in place while fastening with screws.



- 1a. When using 2" (51 mm) post, for both post-to-post and post-to-crossover post configurations, measure 1-1/2" (38 mm) up from top of post base plate (or 1-7/8" [48 mm] from decking surface). Mark with light line.
- 1b. When using 2-1/2" (64 mm) post, measure 1-3/8" (35 mm) from top of post base plate or 1-7/8" (48 mm) from decking surface. Mark with light line.



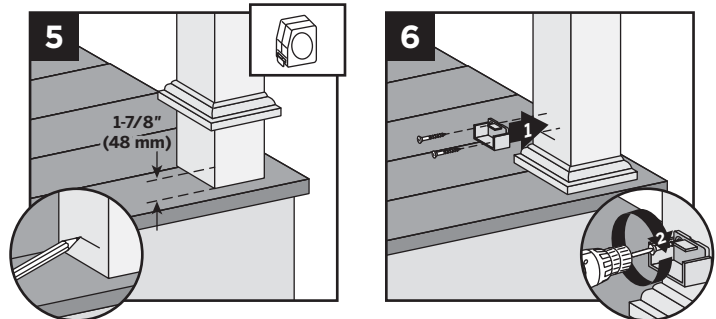
2. Center lower bracket on post **above** the marked line and attach using two self-tapping screws (*provided*).
3. Measure up 32-5/8" (829 mm) for 36" (914 mm) tall railing or 38-5/8" (981 mm) for 42" (1067 mm) tall railing from top of lower rail bracket. Mark with a light line.
4. Center upper bracket on post **below** marked line and attach using (3) self-tapping screws (*provided*).



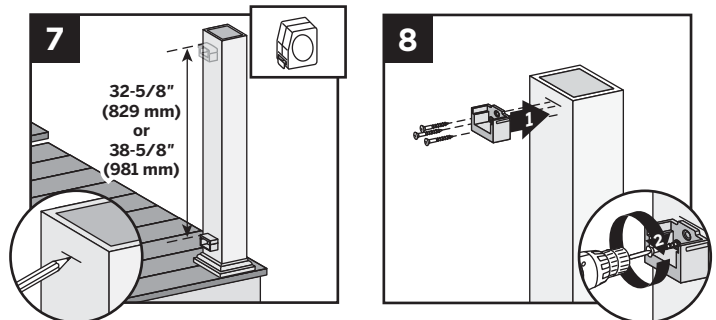
NOTE: Upper bracket is not required on crossover post configuration.

Attach Brackets Using Pressure-Treated Posts and Post Sleeves

TIP: Use a clamp to help hold brackets in place while fastening with screws.



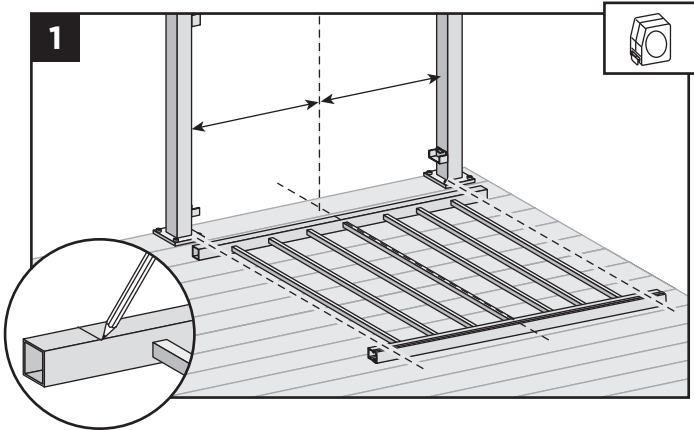
5. Measure 1-7/8" (48 mm) up from deck surface to bottom of bracket. Slide skirt up to allow for proper measurement, then push skirt back down onto surface of decking **BEFORE ATTACHING BRACKET**. Mark with light line.
6. Center lower bracket on post **above** the marked line and attach using two 2" (51 mm) wood screws (*provided*).



7. Measure up 32-5/8" (829 mm) for 36" (914 mm) tall railing or 38-5/8" (981 mm) for 42" (1067 mm) tall railing from top of lower rail bracket. Mark with a light line.
8. Center upper bracket on post **below** marked line and attach using three 2" (51 mm) wood screws (*provided*).

HOW TO INSTALL PANELS/CONTINUED TREX REVEAL

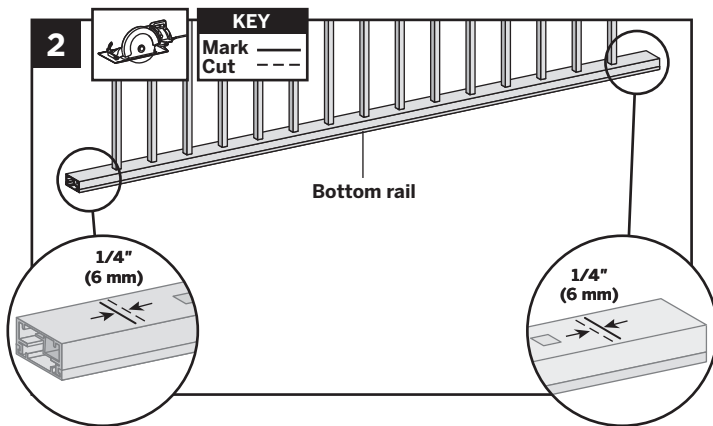
How to Measure and Cut Bottom and Top Railings of Reveal Panel (When REQUIRED)



1. Position panel between posts and align with bottom bracket. Align center baluster with middle of span between posts (this will allow for equal spacing between end balusters and each post). Mark bottom and top rail at each end.

NOTE: If the end balusters fall too close to the brackets, the center point can be adjusted one baluster to the left or right to allow more room.

Cutting Bottom Rail

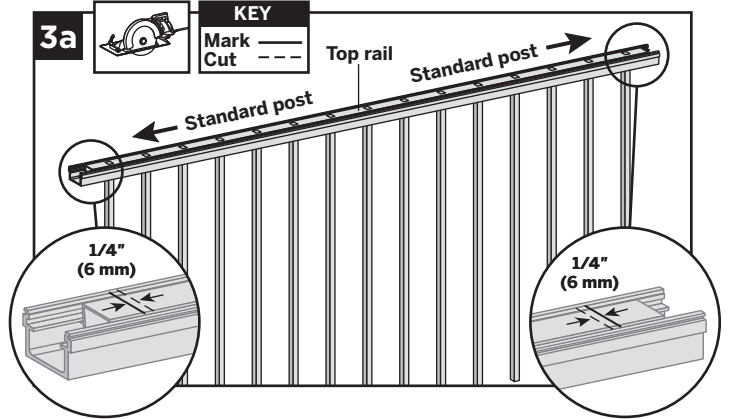


2. Using a saw equipped with a non-ferrous metal blade, cut each end of bottom rail and bottom rail insert 1/4" (6 mm) shorter than mark on each end to allow for fit into bottom rail brackets.

Cutting Top Rail

Option 1:

For Post-to-Post Configuration

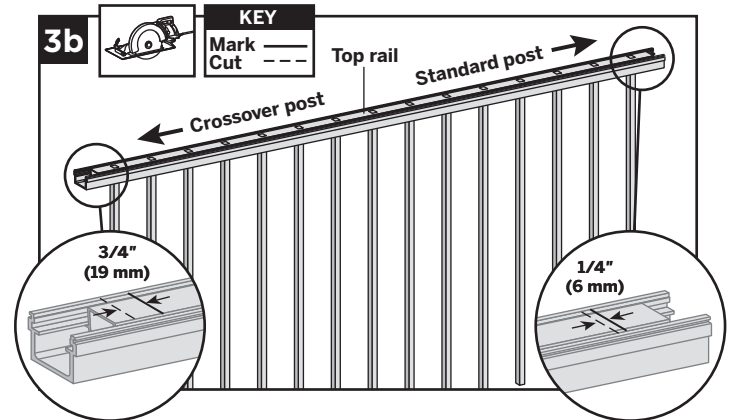


- 3a. Using a saw equipped with a non-ferrous metal blade, cut each end of top rail 1/4" (6 mm) shorter than mark to allow for fit into top rail brackets.

Cutting Top Rail

Option 2:

For Post-to-Crossover Post Configuration



- 3b. Top rail must be cut differently on each side of the rail. Railing side that attaches to standard post should be cut 1/4" (6 mm) shorter than the mark to allow for fit into top rail bracket. Railing side that attaches to the crossover post should be cut 3/4" (19 mm) **LONGER** than the mark to allow for fit into the crossover post bracket.

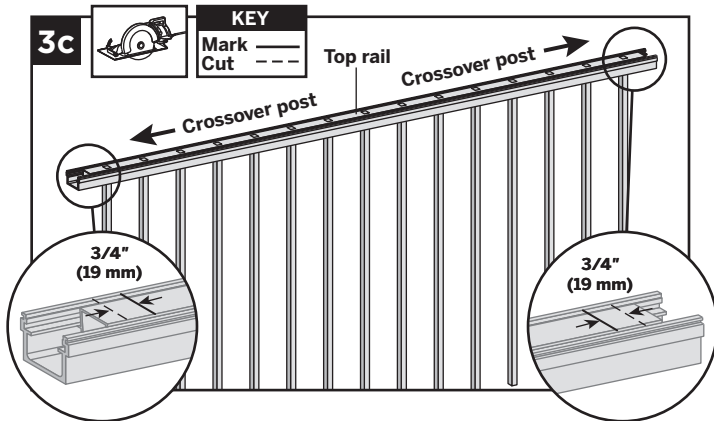
HOW TO INSTALL PANELS/CONTINUED

TREX REVEAL

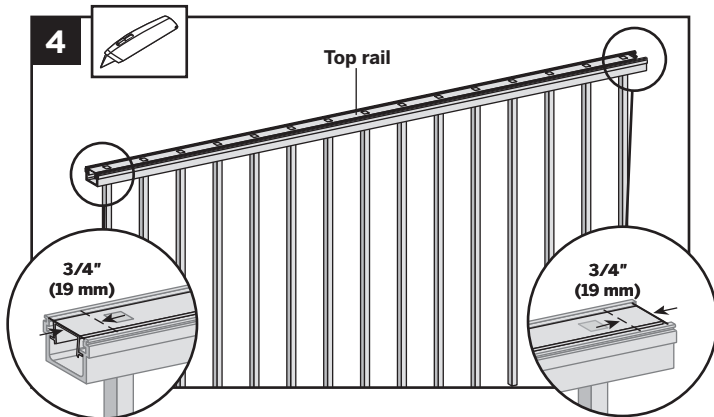
Cutting Top Rail

Option 3:

For Crossover Post-to-Crossover Post Configuration

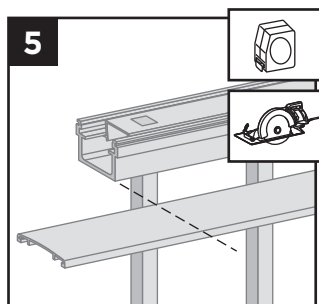


3c. Cut each end of top rail 3/4" (19 mm) **LONGER** than the mark to allow for fit into the crossover post bracket on each side.

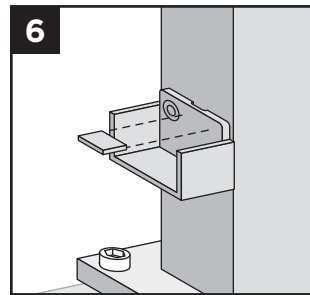


4. Using razor knife or other cutting tool, cut rail insert 3/4" (19 mm) **FROM EACH SIDE.**

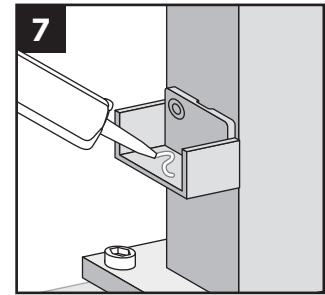
5. Mark and cut top rail cover same length as top rail for all top rail configurations.



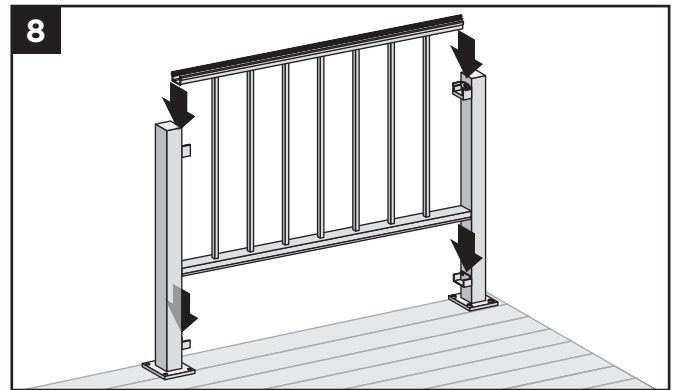
Install Reveal Panel



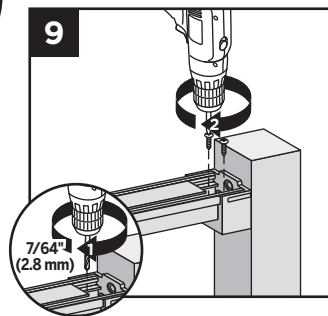
6. Break or cut the bottom tab off the bottom brackets.



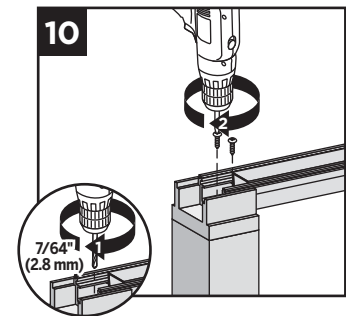
7. Put a dab of silicone in the basket of the bottom bracket to prevent rattle.



8. Place panel in bottom and top brackets.



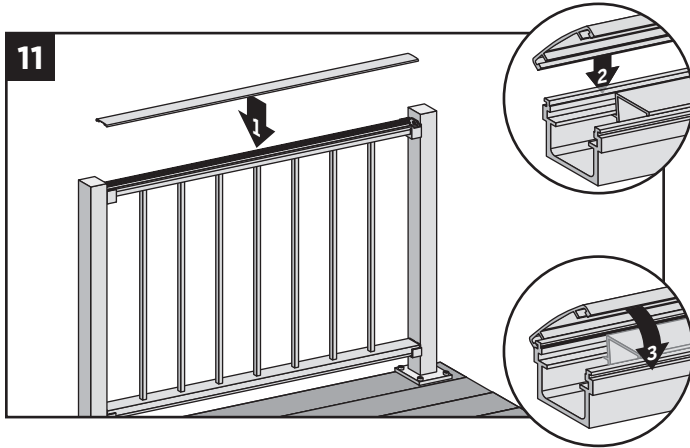
9. For post-to-post configuration, fasten upper rail to each bracket by installing screws diagonally through upper rail into bracket using two self-tapping screws each side (*provided with bracket kit*).



10. For crossover post configuration, fasten upper rail to crossover post by installing screws diagonally through upper rail into post using two self-tapping screws each side (*provided with bracket kit*).

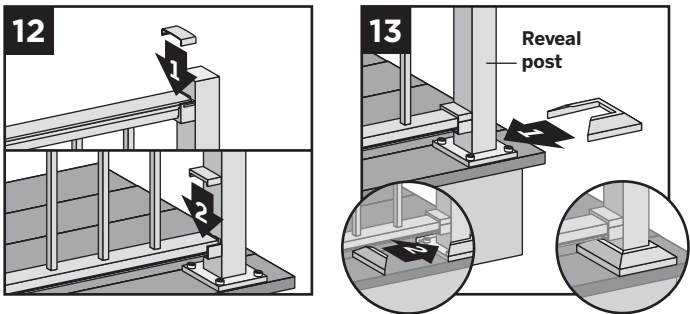
NOTE: Pre-drilling is recommended (7/64" [2.8 mm] drill bit) for attachment of railing to bracket.

HOW TO INSTALL PANELS/ CONTINUED TREX REVEAL

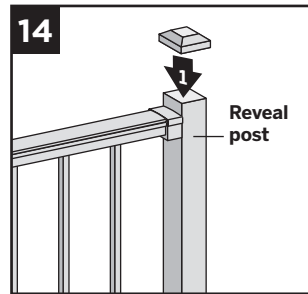


11. Attach upper rail cover to upper rail by aligning cover on one side of rail. Then starting from one end of rail, snap cover onto opposing slot working down length of rail. A **rubber mallet** may facilitate the fastening, using **GENTLE** tapping.

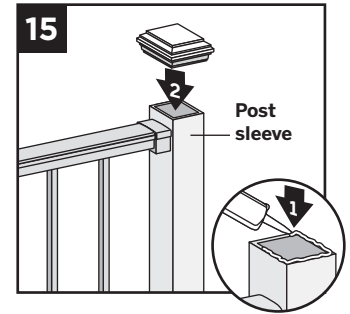
Attachment of Bracket Covers, Skirts, and Caps



12. Attach corresponding bracket covers over opening in upper and bottom rails.
13. Attach provided post skirt to bottom of posts when using Reveal posts.

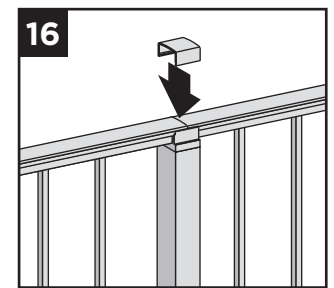


14. Attach post caps to Reveal posts (use of **rubber mallet** may be required for secure attachment).



15. Attach post caps to post sleeves using external grade PVC construction adhesive.

16. For crossover post configuration, attach crossover post cap to crossover post.

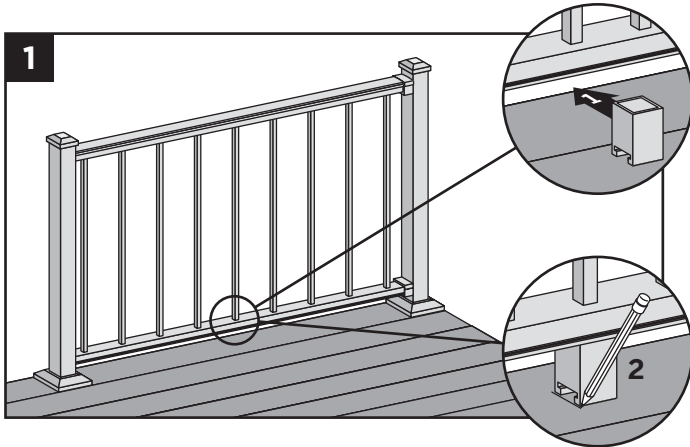


HOW TO INSTALL FOOT BLOCKS - PANELS

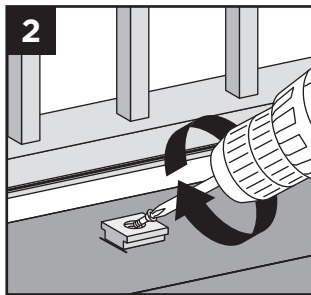
TREX REVEAL

Attachment of Foot Block (Required **ONLY** for All Clear Span Applications Over 6' [1.83 m])

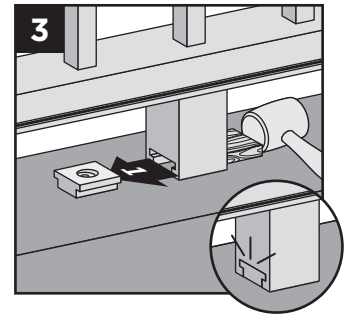
NOTE: Pre-drilling is recommended (1/8" [33 mm] drill bit) for attachment of base.



1. To ensure correct location, place foot block under center of bottom rail. Mark to provide placement location of base.
2. Place base (smaller side facing down) on decking surface. Attach base of foot block using one screw at an angle through base and into decking.



3. After attached, use a **rubber mallet along with scrap piece of wood** to tap foot block until it locks into place.

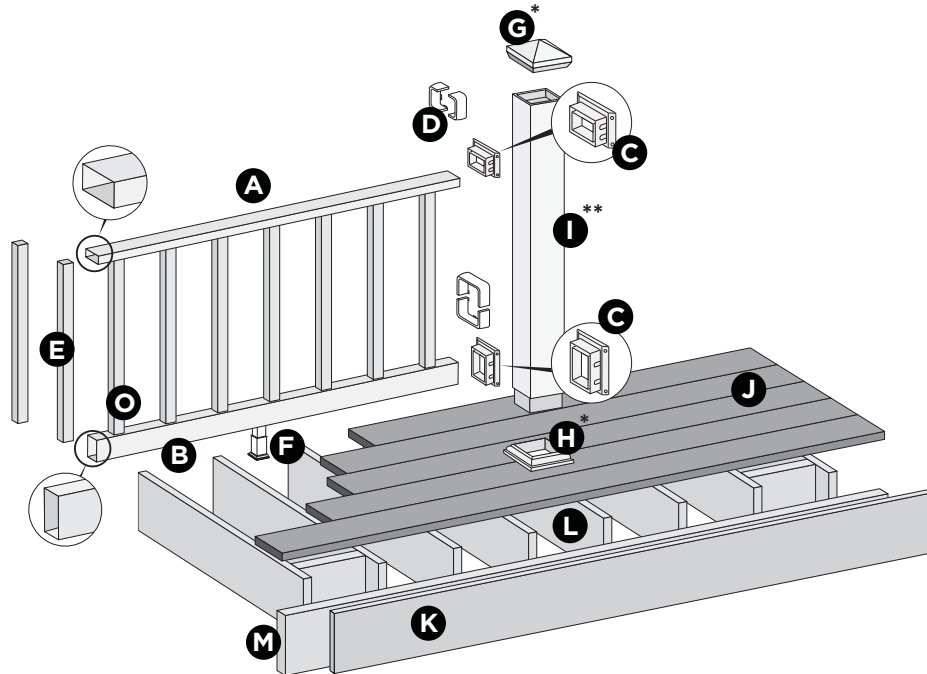


TREX SELECT RAILING

NOTES:

» All Trex Select Railing lengths are manufactured at ON CENTER dimensions (spanning from center of each post): 67-5/8" (1718 mm) for 6' (1.83 m) on center, and 92-5/8" (2353 mm) for 8' (2.44 m) on center. Note that railings are designed to be slightly longer that required to allow for very slight play in post placement – trimming may be required. IT IS VERY IMPORTANT TO MEASURE FIRST.

PARTS



- A. Select top rail
- B. Select bottom rail
- C. Select brackets
- D. Select bracket covers
- E. Select balusters
- F. Adjustable foot block
- G. Post sleeve cap*
- H. Post sleeve skirt*
- I. Post sleeve – 4" x 4" (102 mm x 102 mm) or 6" x 6" (152 mm x 152 mm) post sleeve)**
- J. Trex decking
- K. Trex fascia
- L. Code-approved wood joist – 2" x 8" (51 mm x 203 mm)
- M. Code-approved wood rim joist – 2" x 8" (51 mm x 203 mm) or larger

* Item not included in the Select railing kits.

** Both 4" x 4" (102 mm x 102 mm) and 6" x 6" (152 mm x 152 mm) post sleeves are designed to fit over 4x4 pressure-treated post.

NOTE: If installing 42" (1067 mm) railing, use longer posts sleeves and measure accordingly to ensure a proper cut (**DO NOT CUT POST SLEEVES TO ACTUAL 42" – THESE NEED TO BE LONGER TO ALLOW FOR POST CAPS TO FIT**).

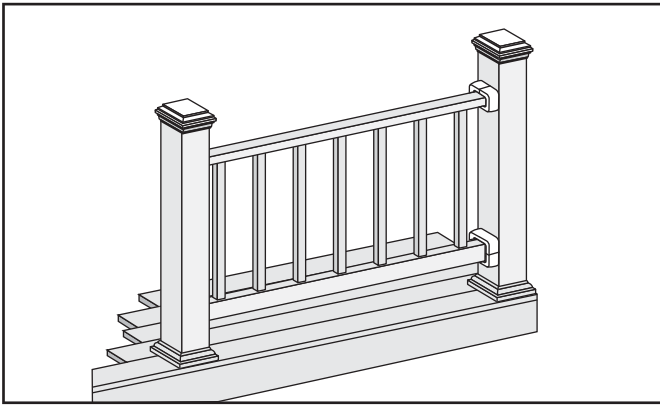
NOTE: Pictorial representations shown may only show one style of railing, while others may also be used. Review detailed instructions to determine what railing styles and combinations can be used.

DETERMINING BALUSTERS NEEDED

Baluster Type	Per 6' OC Section	Per 8' OC Section
(Horizontal Application)	13	18
(Stair Application)	11	15

HOW TO INSTALL TREX SELECT RAILING

TREX SELECT



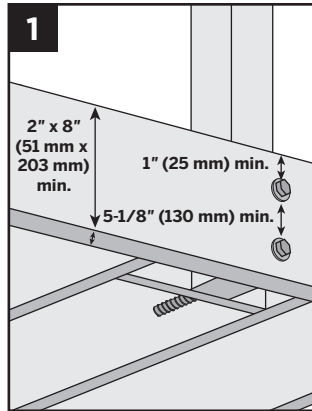
Read all instructions **BEFORE** installation.

Important: Post sleeves are **NOT** to be cut for this design style.

Installing Pressure-Treated Posts

» Select Railing Kits are designed for posts to be installed at maximum of 6' or 8' (1.83 m or 2.44 m) ON CENTER depending on the length being used. **(NOTE: Smaller spans are allowed).**

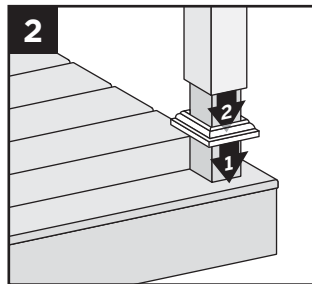
- » Attach posts using 1/2" (13 mm) carriage bolts.
- » Minimum joist size is 2" x 8" (51 mm x 203 mm).
- » Top bolts must be 1" (25 mm) from tops of joists.
- » Bottom bolts must be 5-1/8" (130 mm) from top bolts.



NOTE: Blocking **MUST** be added for extra strength.

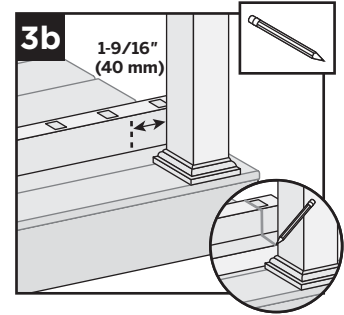
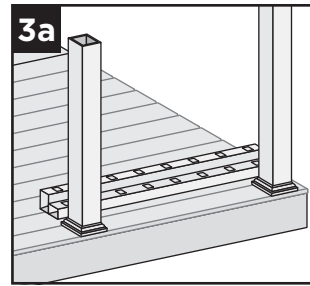
Installing Post Sleeve Skirts and Post Sleeves

2. Slide post sleeve skirt over post and down to rest on decking surface. Slide post sleeve over post and position inside post sleeve skirt.

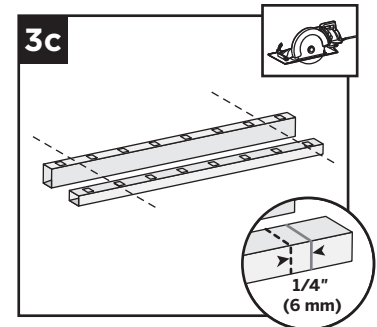


NOTE: Shims can be used to plumb post sleeves.

Cutting Railings



- 3a. Position bottom and top rails between posts, ensuring baluster holes are lined up and spaced evenly.
- 3b. Also allow for a minimum of 1-9/16" (40 mm) on each end of rail for bracket placement AND baluster clearance. Mark rails at intersection of rail and post.
- 3c. Cut each end of both bottom and top rails 1/4" (6 mm) shorter than mark on each end to allow for fit into brackets.

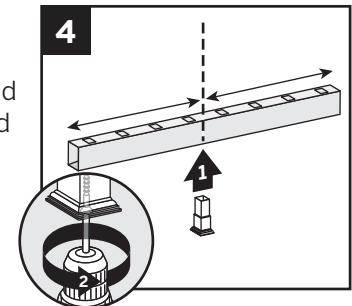


NOTE: After cutting, this still allows enough space for bracket placement.

Attaching Foot Block to Bottom Railing

NOTE: REFER TO DETAILED INSTRUCTIONS INCLUDED WITH FOOT BLOCK PRIOR TO INSTALLATION OF RAILING SECTION AS THESE INCLUDE OTHER REQUIRED STEPS FOR PROPER INSTALLATION

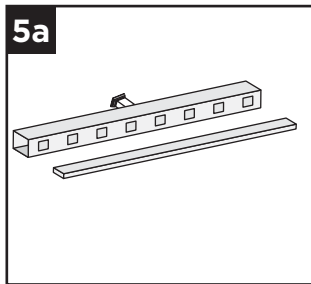
4. Invert the bottom railing. Center foot block on bottom rail and attach. **DO NOT** extend foot block.



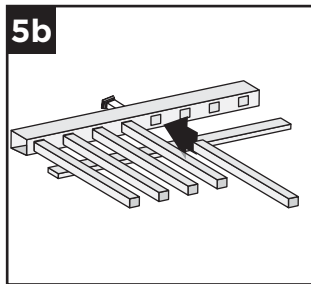
HOW TO INSTALL TREX SELECT RAILING/CONTINUED

TREX SELECT

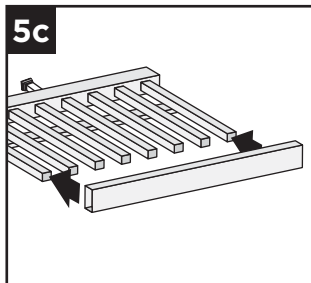
Assembling Railing Section



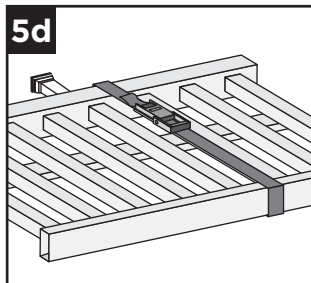
5a. On clean flat surface lay bottom railing on its side. Make sure to allow enough room for installation of balusters and top rail. Place a scrap piece of 1" (25 mm) decking board running parallel to bottom rail for support when installing balusters.



5b. Insert balusters into bottom rail slots as far as they will go, allowing the balusters to also rest on the decking board.



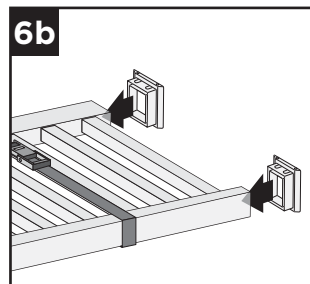
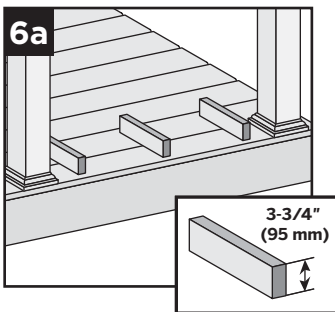
5c. Attach top rail to balusters, feeding each baluster into required slots. Start on one end and work towards the other.



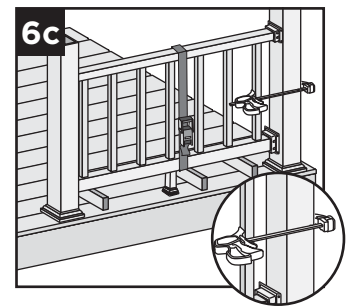
5d. To help temporarily secure the railing section together, place a ratchet strap around the top and bottom rail and tighten until snug. **DO NOT OVERTIGHTEN AS YOU CAN BEND THE RAILING.**

Installing Railing Section to Posts

6a. Using scrap material (i.e. 2x4s, decking boards, etc.) cut at least three support blocks at 3-3/4" (95 mm) in height. Place one each on decking surface beside each post and one near center of span.

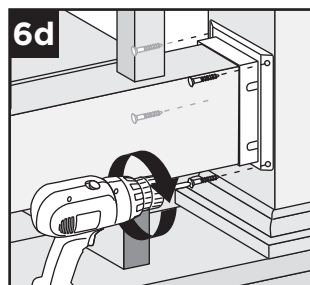


6b. Slide brackets on each end of both top and bottom railing.

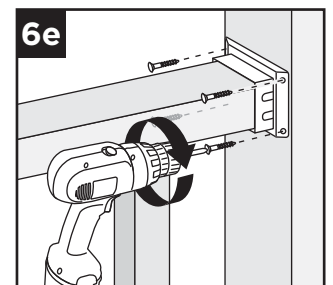


6c. Lift secured railing section up, and **CENTER** this section in between the spanned posts on pre-positioned support blocks.

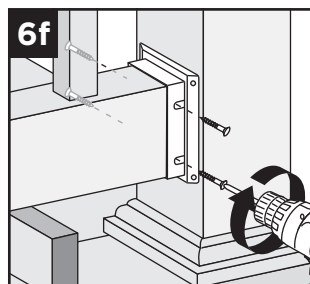
NOTE: To help stabilize railing section, use a quick-grip clamp (or other type of clamp) and clamp the first baluster to post sleeve. (**DO NOT OVERTIGHTEN CLAMP.**)



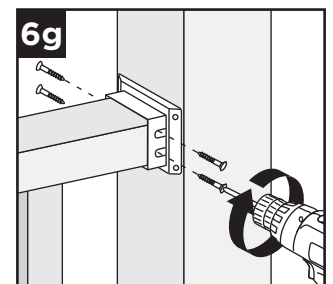
6d. Install bottom bracket (both sides) to post using four #8-10 x 2" (51 mm) screws per bracket (provided).



6e. Install top bracket (both sides) to post using four #8-10 x 2" (51 mm) screws per bracket (provided).



6f. Install bottom bracket (both sides) to railing using four #10 x 1" (25 mm) screws per bracket (provided).



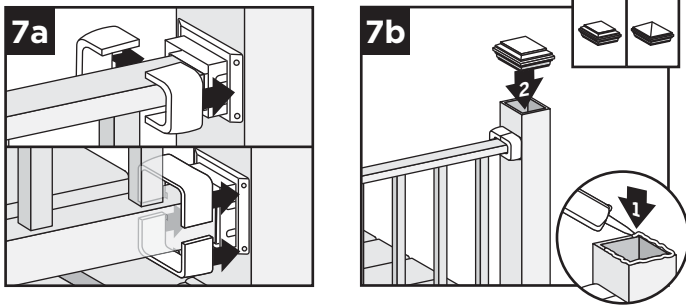
6g. Install top bracket (both sides) to railing using four #10 x 1" (25 mm) screws per bracket (provided).



HOW TO INSTALL TREX SELECT RAILING/CONTINUED

TREX SELECT

Attaching Bracket Covers and Post Caps



7a. Snap bracket covers over each bracket.

7b. Secure post caps with silicone or PVC adhesive.

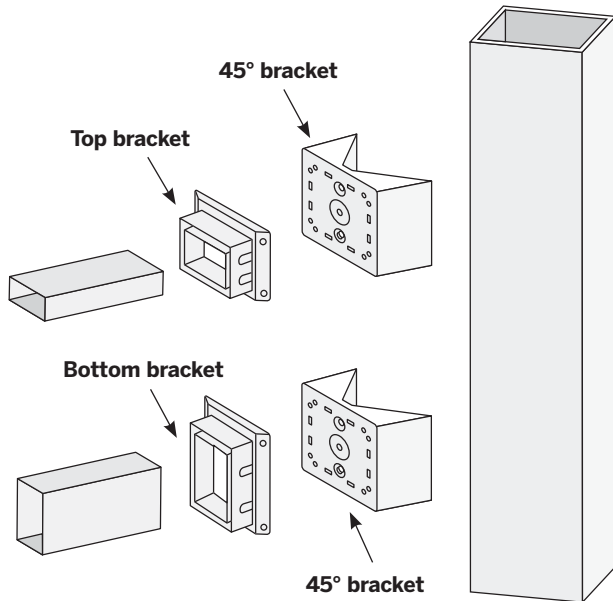
NOTE: Clean-up any excess adhesive before drying.

HOW TO INSTALL 45° ADAPTOR - HORIZONTAL APPLICATIONS ONLY

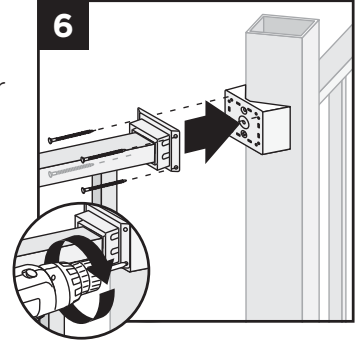
TREX SELECT

Read all instructions BEFORE installation.

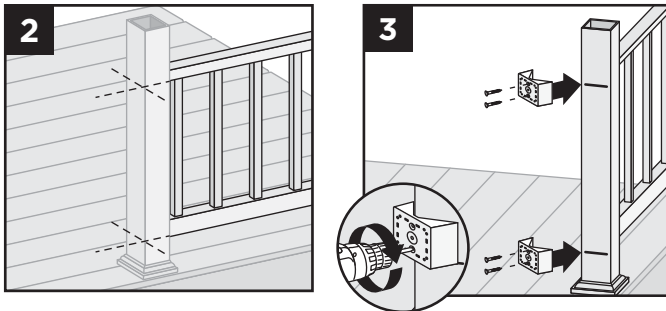
PARTS



4. Install foot block to bottom railing as stated in previous instructions. See page 103.
5. Assemble railing section as stated in previous instructions. See page 104.
6. Install railing section to post as stated in previous instructions. See page 104. However use longer screws that were provided with adaptor to attach brackets thru adaptor into posts.
7. Install brackets to railing as stated in previous instructions. See page 104.
8. Attach bracket covers and post caps as stated in previous instructions. See page 105.



1. Measure, cut, and assemble railing sections as per instructions shown on pages 103–105.



2. Locate placement of railing section so that this lines up with horizontal railing heights.
3. Install 45° angle bracket onto post using provided hardware.

HOW TO INSTALL TREX SELECT STAIR RAILING

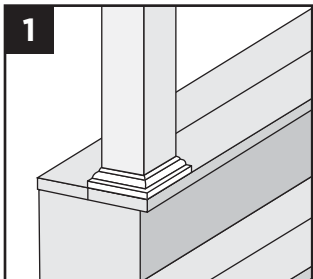
TREX SELECT

Read all instructions BEFORE installation.

NOTE: All Select railings work **ONLY WITH STAIR SLOPES OF 32° TO 37°.**

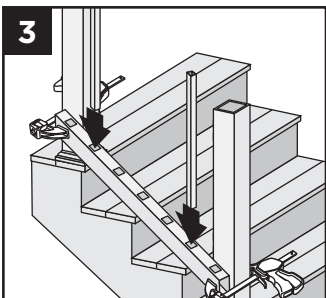
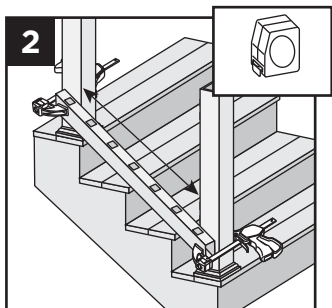
Installing Posts, Post Sleeve Skirts, and Post Sleeves for Stair Rails

1. Install posts, post sleeve skirts, and post sleeves according to standard Select railing instructions.

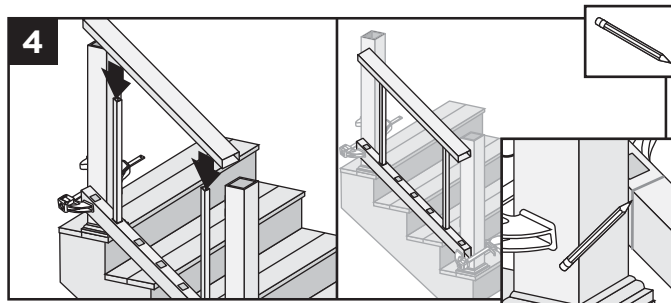


- » In most cases, a post and post sleeve longer than 39" (991 mm) will be needed on the lower section of stair rail to accommodate stair angle.
- » Make sure top and bottom posts for stairs are installed at nose of each tread.

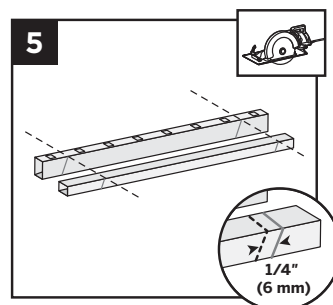
Measuring and Cutting Railings



2. Set bottom stair railing along the nose of the stair treads, ensuring the baluster holes are spaced evenly. Also allow for a minimum of 1-9/16" (40 mm) on each end of rail for bracket placement **AND** baluster clearance. Use clamp to hold bottom stair rail in place.
3. Place two balusters into lower rail at each end closest to post.



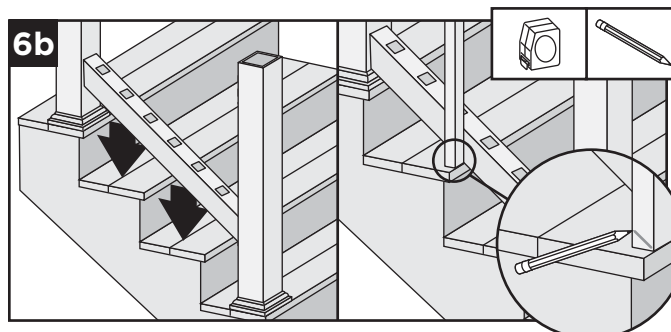
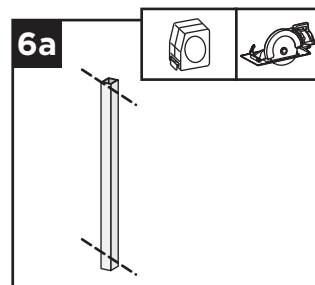
4. Position top rail onto balusters and **ENSURE** that balusters are parallel with post. Mark both bottom and top stair rail at each intersection. Mark the side of each railing to ensure that proper angle is cut for attachment.
5. Cut each end of both bottom and top stair rails 1/4" (6 mm) shorter than mark on each end to allow for fit into bottom rail brackets.



NOTE: Top rail is shown inverted.

Cutting Balusters on Angle (OPTIONAL)

- 6a. In order for balusters to seat properly (depending on the angle of the stair railing), the balusters may need to be trimmed to match the angle of the bottom and top railing.



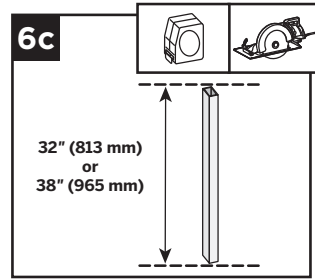
- 6b. Set bottom railing on nose of stair treads and set baluster at 90° on the outside of the railing, mark and measure the angle.

NOTE: Measure, mark, and cut a scrap board to ensure you have proper angle **BEFORE** cutting balusters on angle.

HOW TO INSTALL TREX SELECT STAIR RAILING/CONTINUED

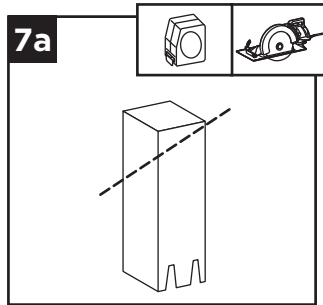
TREX SELECT

- 6c. Cut the **VERY END** of baluster, both top and bottom, making sure that point to point measurement of the baluster remains at either 32" (813 mm) for 36" (914 mm) rail heights or 38" (965 mm) for 42" (1067 mm) rail heights.

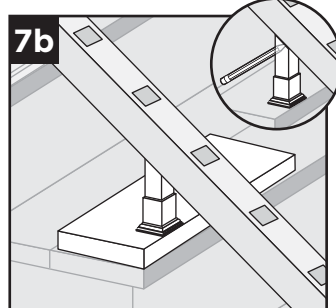


Attaching Foot Block to Bottom Railing

- » **REFER TO DETAILED INSTRUCTIONS INCLUDED WITH FOOT BLOCKS PRIOR TO INSTALLATION OF STAIR RAILING SECTION AS THESE INCLUDE OTHER REQUIRED STEPS FOR FOOT BLOCK INSTALLATION.**

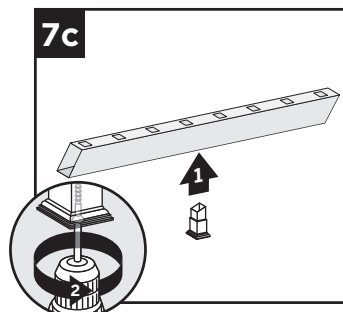


- 7a. For stair applications, cut the section of foot block at an angle to match rail. Refer to foot block instructions for specific information on how to do this.

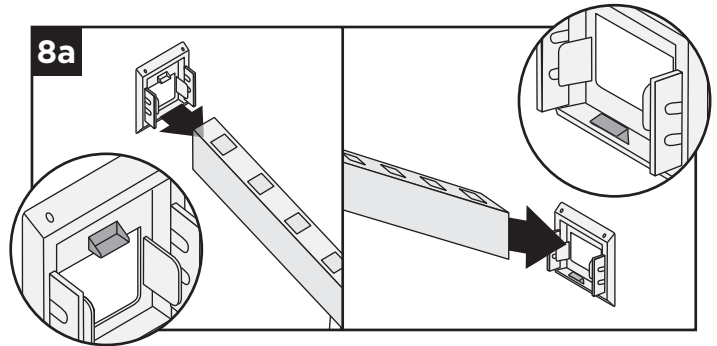


- 7b. Place scrap deck board at nose of stair tread, and place foot block on top of scrap board near the nose of the tread. Position bottom stair rail on stair tread and mark the underside of the bottom stair rail for location of foot block.

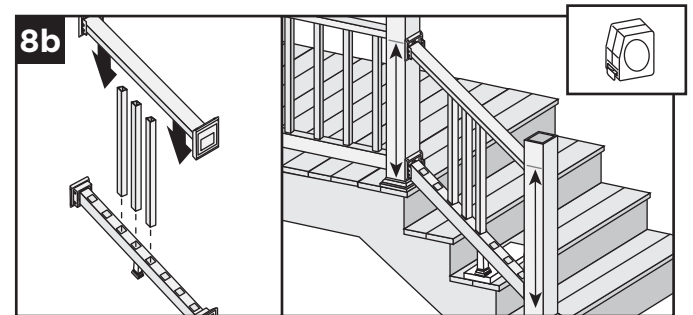
- 7c. Invert bottom rail. Center foot block on bottom rail and attach at marked position. **DO NOT** extend foot block.



Attachment of Bottom Rail to Post

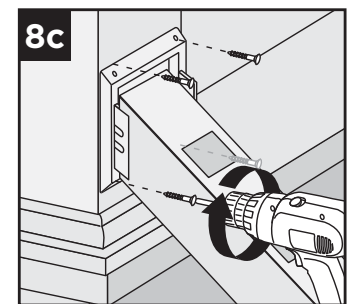


- 8a. Slide bottom stair brackets on bottom rail on each side. Top bracket must have tab on bracket facing up. Bottom bracket must have tab facing down.
- 8b. Assemble a few of the balusters into the bottom



and top railings (make sure balusters are setting at 90°) and set this on scrap material clearing the stair treads to determine where bracket locations need to be. Remember in most cases, a post and post sleeve longer than 39" (991 mm) will be needed on the lower section of stair rail to accommodate stair angle.

- 8c. After locating appropriate position for railing section, remove top rail and balusters and attach bottom stair bracket (both sides) to post using four #8-10 x 2" (51 mm) screws per bracket (provided). Foot block can be extended at this time.

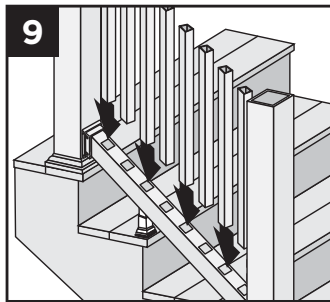


HOW TO INSTALL TREX SELECT STAIR RAILING/CONTINUED

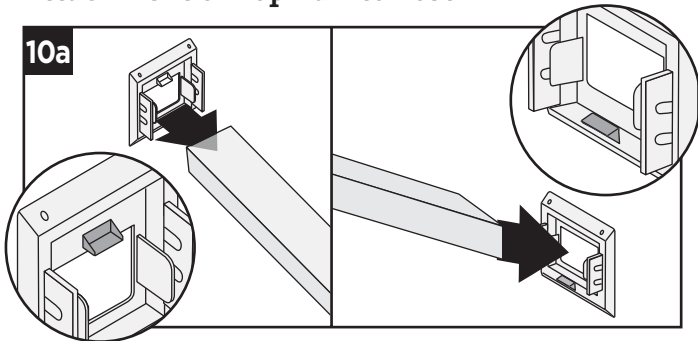
TREX SELECT

Install Balusters

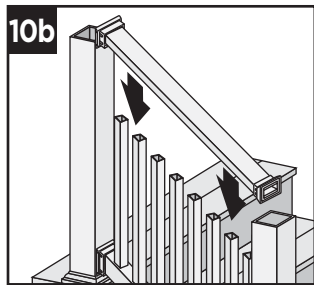
9. Slide balusters into bottom rail.



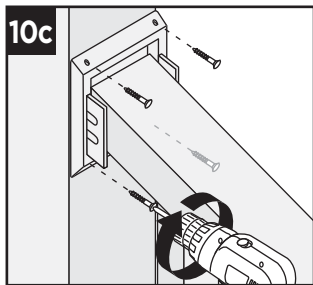
Attachment of Top Rail to Post



- 10a. Slide top stair brackets on top rail on each side. Top bracket must have tab on bracket facing up. Bottom bracket must have tab facing down.

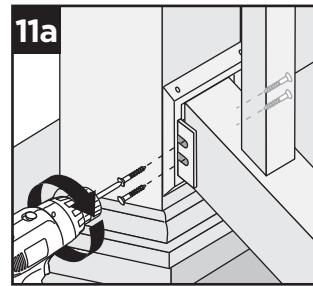


- 10b. Place top rail onto balusters, allowing the top rail to rest on the surface of the balusters.

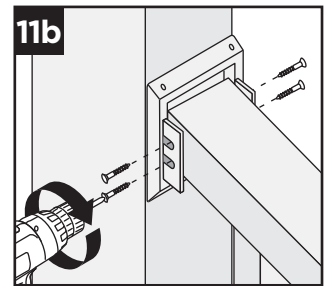


- 10c. Attach top stair bracket (both sides) to post using four #8-10 x 2" (51 mm) screws per bracket (provided).

Attachment of Bottom and Top Brackets to Rails

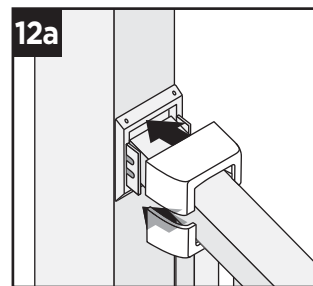


- 11a. Install bottom stair bracket (both sides) to railing using four #10 x 1" (25 mm) screws per bracket (provided).

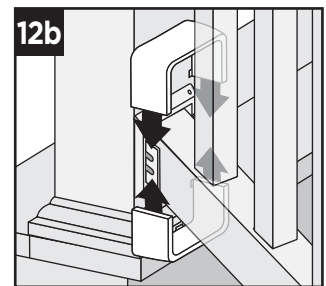


- 11b. Install top stair bracket (both sides) to railing using four #10 x 1" (25 mm) screws per bracket (provided).

Attaching Bracket Covers and Post Caps



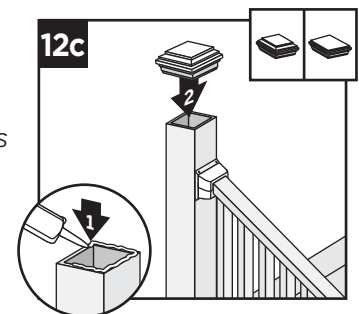
- 12a. Snap bracket covers over top rail bracket.



- 12b. Snap bracket covers over bottom rail bracket.

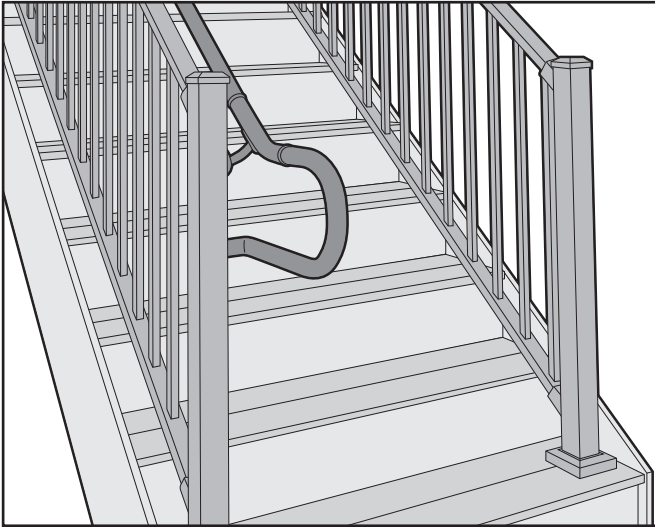
- 12c. Secure post caps with silicone or PVC adhesive.

NOTE: Clean-up any excess adhesive before drying.

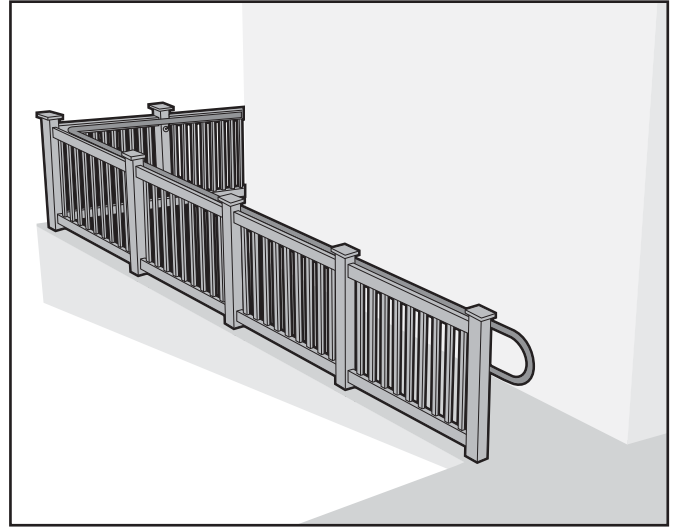


TREX ALUMINUM ADA COMPLIANT HANDRAIL

STAIR APPLICATION

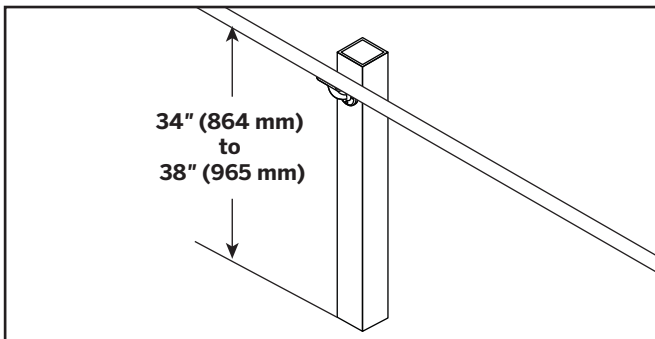


RAMP APPLICATION



ADA Handrail Guidelines

1. ADA handrails can be installed using various design applications such as those for stairs, ramps, and horizontal applications. Designs include options for straight and 90° wall returns, 90° corners, and adjustable angles. Choose which is best for your needs before installing. *Refer to railing profiles (page 111) for a more detailed parts list.*



2. The handrail system top rail should be 34" (864 mm) to 38" (965 mm) above the surface. However, verifying height requirements with local building code officials before installing is important as codes vary in different areas.*
3. Maintain a minimum clearance of 1-1/2" (38 mm) between the handrail and any obstructions above or behind the handrail.
4. The end loop return at all landings must extend 12" (305 mm) past the end of the ramp or stair application.*
5. The slope of the handrail for the ramp should not exceed 1" (25 mm) rise over a 12" (305 mm) run.



6. **The maximum recommended span between supports is 6' (1.83 m) on center. Thus placement of posts is critical when installation of railing is being considered.***
7. Rails are designed to have a tight fit into other connecting components. It is critical to line these up in the correct orientation **BEFORE** connecting parts together. *If it is necessary to shift or move a component on a rail, wrap with a protective cloth to prevent scratching as you may need to use a wide-mouth wrench to correct this.*
8. **At any straight location where internal connector is used, it is CRITICAL to locate these as close to a wall mount as possible.**
9. If using metal posts, pre-drill all locations for bracket attachment. (**ALWAYS** use a drill bit slightly SMALLER in diameter than the screw being used for attachment.)
10. All elbow components can be cut down to allow for tighter angles. Cut a maximum of 2" (51 mm) on each side if this is required.

*Refer to the American Disabilities Act for detailed information in regards to handrail requirements.

SAFETY NOTES

- » When cutting metal, ALWAYS wear proper safety eyewear (as well as any other proper safety wear).
- » Remove all burrs from cut ends before installation.
- » Use of a non-ferrous metal blade is recommended.

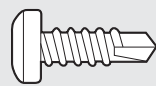
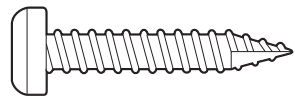

ADA RAILING PROFILES

DESCRIPTION	COLOR
ADA Hand Rail 1.385" (35 mm) diameter 	BK, BZ, WT
ADA Wall Return 	BK, BZ, WT
ADA Wall Mount 	BK, BZ, WT
ADA Corner Mount* 	BK, BZ, WT
ADA Internal Connector 	
ADA Handrail Return 	BK, BZ, WT

*Can only be used with metal post horizontal applications.

DESCRIPTION	COLOR
ADA 90° Elbow 	BK, BZ, WT
ADA 36°, 34°, and 31° Elbows 	BK, BZ, WT
ADA 5° Elbow 	BK, BZ, WT
ADA Collar 	BK, BZ, WT
ADA End Cap 	BK, BZ, WT

HARDWARE

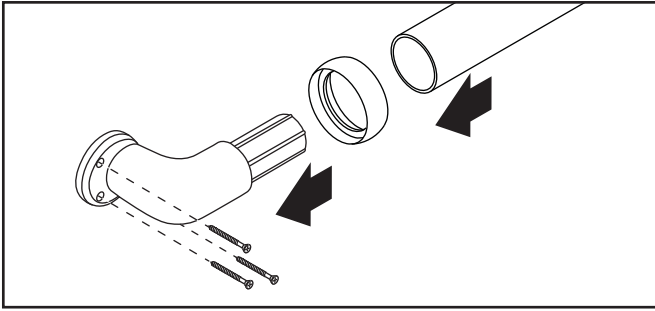
RAIL TO BRACKET ATTACHMENT	
Short Metal Screw (#10 x 5/8" [16 mm])	
BRACKET TO METAL POST ATTACHMENT	
Long Metal Screw (#12 x 1-1/4" [32 mm])	
BRACKET TO WOOD POST/POST SLEEVE ATTACHMENT	
Wood Screw (8-10 x 2" [51 mm])	

NOTE: If attaching brackets to 6x6 posts/post sleeves, use 8-10 x 2-1/2" (64 mm) wood screws (not included).

COLORS: BK Charcoal Black BZ Bronze WT White

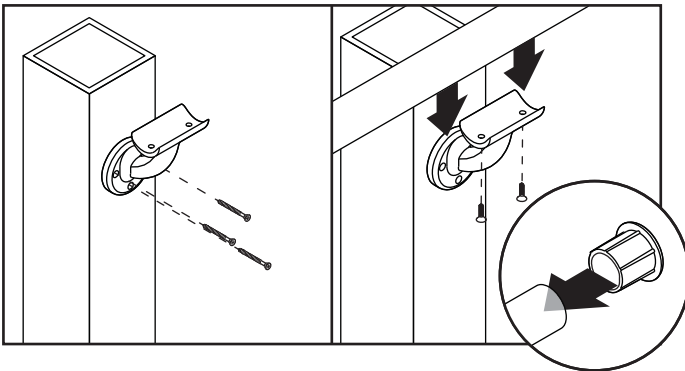
HOW TO INSTALL TREX ALUMINUM ADA COMPLIANT HANDRAIL

90° Wall Return



1. If required, cut railing to proper length based on location of wall return(s) or attachment to other components.
2. If desired, collar ring can be used to hide seam of wall return to rail. Slide this over rail **BEFORE** inserting rail into wall return.
3. Slide rail onto wall return until it is fully inserted and seam is hidden under collar (if collar is being used).
4. Attach wall return to post using specific hardware provided (see chart on previous page), **ENSURING** wall return is at proper angle of alignment to post. (Wall return is designed to have tight fit into rail, thus location of attachment is critical.) If using metal posts, pre-drill post prior to attachment of wall mount.

Wall Mount



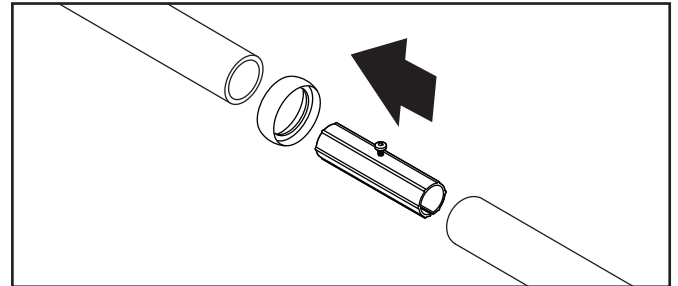
NOTE: Refer to Rail-to-Rail Connections section if connecting two or more rails together to make continuous straight run.

1. If required, cut railing to proper length based on location of wall mount(s) or attachment to other components.
2. Attach wall mount to post using specific hardware provided (see chart on previous page), **ENSURING** wall mount is at proper angle of alignment to angle of rail. If using metal posts, pre-drill post prior to attachment of wall mount.

TIP: To help with angled attachment, place one screw into bottom hole of bracket and pivot wall mount to position required.

3. Attach rail to wall mount using specific hardware provided (see chart on previous page).
4. Attach end cap to railing.

Rail-to-Rail Connections/Internal Connector



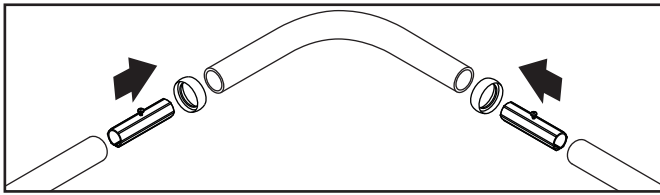
NOTE: When rail-to-rail straight connections are used for longer spans, posts must be installed 6' OC max. In addition, a wall mount **MUST** be used at each seam of rail-to-rail connections as close to center of wall mount as possible. If collar is used, this can be offset slightly to allow for the collar to fit.

1. If required, cut railing to proper length.
2. If desired, collar ring can be used to hide seam between rails. Slide this over rail **BEFORE** inserting rails into internal connector.
3. Slide internal connector into rail end until metal spacer screw is touching either end of rail or the collar, if this was used.
4. Slide second rail over opposite end of internal connector, until this is touching metal spacer screw.
5. Remove metal spacer screw using #2 square head screwdriver.
6. Push second rail further over internal connector until this fits in the collar (if used) or fits tightly against rail.
7. Attach wall mount to post per previous instructions.
8. Attach rail to wall mount per previous instructions.
9. Use end caps where required.



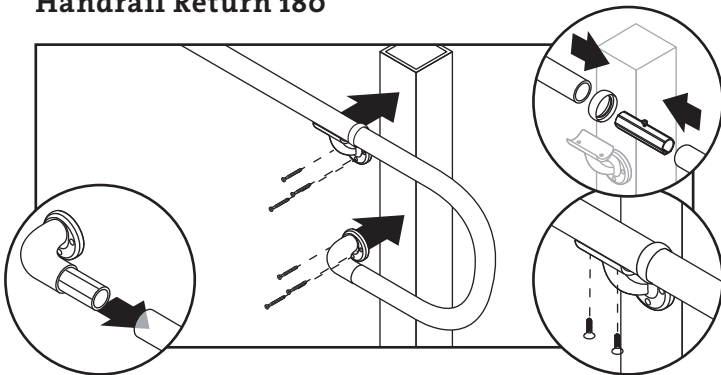
HOW TO INSTALL TREX ALUMINUM ADA COMPLIANT HANDRAIL

Elbows (90°, 36°, 34°, 31°, 5°)



1. If required, cut railing to proper length based on location of elbows and other components being used.
2. If desired, collar ring can be used to hide seam of elbow to rail. Slide this over rail **BEFORE** inserting rail into elbow.
3. Slide internal connector into rail end until metal spacer screw is touching either end of rail or the collar, if this was used.
4. Slide appropriate angled elbow onto opposite end of internal connector, until this is touching metal spacer screw.
5. Remove metal spacer screw using #2 square head screwdriver.
6. Push elbow further over internal connector until this fits in the collar (if used) or fits tightly against rail.
7. Attach wall mount to post per previous instructions.
8. Attach rail to wall mount per previous instructions.

Handrail Return 180°

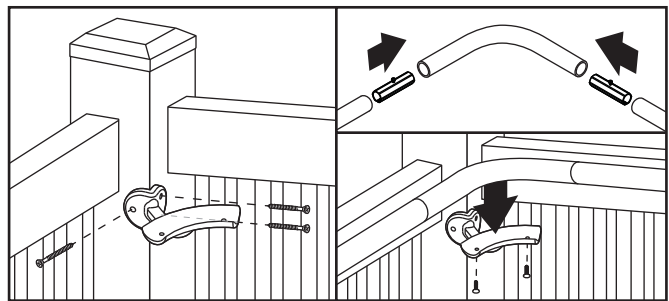


NOTE: Ramp application shown here. (For stair applications appropriate angle elbow also required.)

1. If required, cut railing to proper length based on location of elbow used as well and other components being used.
2. If desired, collar ring can be used to hide seam of handrail return to rail or elbow being used. Slide this over rail **BEFORE** inserting rail into other component.
3. Ensure that all components are aligned to both wall mount on post as well as location of elbow on rail **BEFORE** attachment.
3. Slide internal connector into appropriate elbow being until metal spacer screw is touching either end of elbow or the collar, if this was used.

4. Attach wall return to lower end of handrail return (longer side), **ENSURING** wall return is at proper angle of alignment to post. (Wall return is designed to have tight fit into rail, thus location of attachment is critical.)
5. Slide opposite end of handrail return onto internal connector, until this is touching metal spacer screw.
6. Remove metal spacer screw using #2 square head screwdriver.
7. Push handrail return further over internal connector until this fits in the collar (if used) or fits tightly against elbow.
8. Attach wall return to post per previous instructions.
9. Attach rail to wall mount per previous instructions.
10. Use end caps where required.

Corner Mount



1. Corner mount can **ONLY BE USED ON METAL POSTS** and only for horizontal applications, such as stair landings.
2. Pre-drill metal post and install corner post to metal post using specific hardware provided (see chart on page 111).
3. If desired, collar ring can be used to hide seam of elbow to rail. Slide this over rail **BEFORE** inserting rail into elbow (not shown in picture above).
3. Slide internal connector into rail end until metal spacer screw is touching either end of rail or the collar, if this was used.
4. Slide appropriate angled elbow onto opposite end of internal connector, until this is touching metal spacer screw.
5. Remove metal spacer screw using #2 square head screwdriver.
6. Push elbow further over internal connector until this fits in the collar (if used) or fits tightly against rail.
7. Install elbow to corner mount using specific hardware provided (see chart on page 111).

WARRANTIES

TREX TRANSCEND[®], TREX ENHANCE[®], TREX SELECT[®] AND TREX[®] UNIVERSAL FASCIA LIMITED FADE AND STAIN WARRANTY

For the term set forth below, Trex Company, Inc. (hereinafter “Trex”) warrants to the original end-user purchaser (the “Purchaser”) that Trex Transcend[®] decking, porch or fascia, Trex Enhance[®] decking or fascia, Trex Select[®] decking or fascia or Trex[®] Universal Fascia, as the case may be (the “Product”) will perform, under normal use and service conditions, as follows:

Term of Warranty: The term of this warranty shall begin on the date of original purchase, and shall end (1) twenty-five (25) years thereafter for a residential application of the Product, and (2) ten (10) years thereafter for a commercial application of the Product.

Residential/Commercial Application: For purposes of this warranty, a “residential application” shall refer to an installation of the Product on an individual residence, and a “commercial application” shall refer to any installation of the Product other than on an individual residence.

Fade Resistance: The Product shall not fade in color from light and weathering exposure as measured by color change of more than 5 Delta E (CIE) units.

The Product is designed to resist fading. No material is fade proof when exposed to years of UV exposure and the elements. The Product is designed to resist fading, and will not in any event fade by more than 5 Delta E (CIE) units.

Stain Resistance: The Product shall be resistant to permanent staining resulting from spills of food and beverage items including ketchup, mustard, salad oils, tea, wine, coffee, fruit punch, barbecue sauce, grease, sodas and other food and beverage related items that would typically be present on a residential deck, or mold and mildew naturally occurring in the environment, provided that such substances are removed from the Product with soap and water or mild household cleaners within one (1) week of exposure of the food or beverage to the surface or first appearance of the mold and mildew.

Notwithstanding the foregoing, Trex does not warrant that the Product is stain-proof, and does not warrant stain resistance resulting from spilled or otherwise applied food and beverage substances which are not properly cleaned as provided above within one (1) week of exposure. In addition, materials not covered in the stain resistant warranty include abrasive compounds of acidic or basic pH, paints or stains, strong solvents, metallic rust or other abnormal deck use items, and non-food and non-beverage substances, including but not limited to, biocides, fungicides, plant food, or bactericides. Mold and mildew can settle and grow on any outdoor surface, including this Product. You should periodically clean your deck to remove dirt and pollen that can feed mold and mildew. This warranty does not cover mold and mildew which is not properly cleaned as provided above within one (1) week of first appearance.

Standard Trex Company Limited Warranty: This warranty is in addition to the standard Trex Company Limited Warranty that applies to all Trex products.

Transferability: With respect to a residential application, this warranty may be transferred one (1) time, within the five (5) year period beginning from the date of original purchase by the Purchaser, to a subsequent buyer of the property upon which the Trex products were originally installed. With respect to a commercial application, this warranty is freely transferable to subsequent buyers of the property upon which the Trex products were originally installed.

EXCLUSIONS FROM WARRANTY COVERAGE:

Exposure to Heat: Direct or indirect contact with extreme heat sources (over 275 degrees) may cause fading and may damage the surface of the Product, and any effects of such exposure are expressly excluded from coverage under this warranty.

Surface Damage: Never use metal shovels or sharp-edged tools to remove snow and ice on the surface of the Product. If the surface of the Product is damaged or punctured, this warranty will be voided.

Paint or Other Materials Applied to the Product: If paint or other coating materials are applied to the Product, this warranty will be voided.

Railing: This warranty does not cover Trex Transcend[®] or Trex Select[®] railing components.

Other Exclusions: This warranty shall not cover any condition attributable to: (1) improper installation of the Product and/or failure to abide by Trex’s installation guidelines, including but not limited to improper gapping; (2) use of the Product beyond normal use or service conditions, or in an application not recommended by Trex’s guidelines and local building codes; (3) movement, distortion, collapse or settling of the ground or the supporting structure on which the Product is installed; (4) any act of God (such as flooding, hurricane, earthquake, lightning, etc.); (5) improper handling, storage, abuse or neglect of the Product by Purchaser, the transferee or third parties; (6) any fading or staining not on the walking surface of the Product (i.e., the underside or the ends of the Product); or (7) ordinary wear and tear.



Procedure for Making a Claim under this Warranty

In order to make a claim under this warranty, Purchaser must do the following:

1. If the Purchaser is making a claim relating to the warranty on stain resistance, Purchaser must do as follows:
 - (a) Purchaser must try to clean the affected area of the deck by using the cleaning procedures described above within one (1) week of exposure of the food or beverage to the Product or first appearance of the mold and mildew.
 - (b) If the affected area remains reasonably unsatisfactory after Purchaser has tried these cleaning procedures, then Purchaser must have the affected area of the deck professionally cleaned at Purchaser's expense.
 - (c) If the affected area remains reasonably unsatisfactory after the professional cleaning, Purchaser may make a claim under this warranty, provided that such claim is made within thirty (30) days after the professional cleaning.
2. To make a claim under this limited warranty, Purchaser, or the transferee, shall send to Trex, within the warranty period referred to above, a description and photographs of the affected area of the Product, proof of purchase, and if the claim relates to the warranty on stain resistance, proof of compliance with paragraph 1. above, to the following address:

Trex Company, Inc.
Customer Relations
160 Exeter Drive
Winchester, VA 22603-8605

3. Upon confirmation by an authorized Trex representative of a valid claim hereunder, Trex's sole responsibility shall be, at its option, to either replace the affected item or refund the portion of the purchase price paid by Purchaser for such affected item (not including the cost of its initial installation). Replacement material will be provided that is as close as possible in color, design and quality as the replaced material, but Trex does not guarantee an exact match as colors and design may change.
4. If a valid warranty claim hereunder is made during years eleven (11) through twenty-five (25) after the original purchase for a residential application, recovery will be prorated. If Trex is providing replacement materials, it may elect to replace the percentage listed below of boards otherwise meeting the requirements for a claim, or if it is refunding the purchase price, it may elect to refund the percentage listed below of the purchase price of boards otherwise meeting the requirements for a claim.

YEAR OF WARRANTY CLAIM	PERCENTAGE RECOVERY
11	80%
12	80%
13	80%
14	60%
15	60%
16	60%
17	40%
18	40%

YEAR OF WARRANTY CLAIM	PERCENTAGE RECOVERY
19	40%
20	20%
21	20%
22	20%
23	10%
24	10%
25	10%

5. **THIS WARRANTY SHALL NOT COVER AND TREX SHALL NOT BE RESPONSIBLE FOR COSTS AND EXPENSES INCURRED WITH RESPECT TO THE REMOVAL OF AFFECTED PRODUCT OR THE INSTALLATION OF REPLACEMENT MATERIALS, INCLUDING BUT NOT LIMITED TO LABOR AND FREIGHT.**

UNDER NO CIRCUMSTANCES WILL TREX BE LIABLE FOR SPECIAL, INCIDENTAL OR CONSEQUENTIAL DAMAGES, WHETHER SUCH DAMAGES ARE SOUGHT IN CONTRACT, IN TORT (INCLUDING BUT NOT LIMITED TO NEGLIGENCE AND STRICT LIABILITY) OR OTHERWISE, AND TREX'S LIABILITY WITH RESPECT TO PRODUCTS SHALL IN NO EVENT EXCEED THE REPLACEMENT OF SUCH PRODUCTS OR REFUND OF THE PURCHASE PRICE, AS DESCRIBED ABOVE.

Some States or Provinces do not allow the exclusion or limitation of incidental or consequential damages, so the above limitation or exclusion may not apply to you. This warranty gives you specific legal rights, and you may also have other rights that vary from State to State or Province to Province.

Copyright © 2016 Trex Company, Inc.

TREX® LIMITED WARRANTY

Trex Company, Inc. (hereinafter "Trex") warrants to the original purchaser ("Purchaser") that, for the period of time set forth in the following sentence, under normal use and service conditions, Trex® products shall be free from material defects in workmanship and materials, and shall not split, splinter, rot or suffer structural damage from termites or fungal decay. The term of such warranty shall be twenty-five (25) years from the date of original purchase for a residential application, and ten (10) years from the date of original purchase for a commercial application. If a defect occurs within the warranty period, Purchaser shall notify Trex in writing and, upon confirmation by an authorized Trex representative of the defect, Trex's sole responsibility shall be, at its option, to either replace the defective item or refund the portion of the purchase price paid by Purchaser for such defective item (not including the cost of its initial installation).

Notwithstanding the foregoing, (a) the term of the warranty for the LED lights and housing for Trex® DeckLighting™ shall be seven (7) years, the term of the warranty for the LED lights and housing for Trex® LandscapeLighting™ shall be five (5) years, and the term of the warranty for the dimmer, timer and transformer for both shall be three (3) years, in each case provided that a Trex transformer is used (with no warranty on any components if a Trex transformer is not used), and any other parts or accessories shall not be warranted; (b) with respect to hardware for the Trex Surroundings® gate (gate frame, hinges and screws), the term of the warranty shall be five (5) years, (c) with respect to Trex Decorative Balusters, the term of the warranty covering the paint coating shall be ten (10) years, and shall be prorated in the following manner: 100% replacement for the first five (5) years; and 50% replacement for the next five (5) years, and (d) this warranty shall not apply to Trex Elevations® steel deck framing, Trex Reveal® aluminum railing and TrexTrim™ (which each have separate warranties).

For purposes of this warranty, a "residential application" shall refer to an installation of the Product on an individual residence, and a "commercial application" shall refer to any installation of the Product other than on an individual residence.

THIS WARRANTY SHALL NOT COVER AND TREX SHALL NOT BE RESPONSIBLE FOR COSTS AND EXPENSES INCURRED WITH RESPECT TO THE REMOVAL OF DEFECTIVE TREX PRODUCTS OR THE INSTALLATION OF REPLACEMENT MATERIALS, INCLUDING BUT NOT LIMITED TO LABOR AND FREIGHT.

With respect to a residential application, this warranty may be transferred one (1) time, within the five (5) year period beginning from the date of original purchase by the Purchaser, to a subsequent buyer of the property upon which the Trex products were originally installed. With respect to a commercial application, this warranty is freely transferable to subsequent buyers of the property upon which the Trex products were originally installed.

To make a claim under this limited warranty, Purchaser, or the transferee, shall send to Trex, within the warranty period referred to above, a description of the claimed defect and proof of purchase, to the following address:

Trex Company, Inc.
Customer Relations
160 Exeter Drive
Winchester, VA 22603-8605

Trex does not warrant against and is not responsible for, and no implied warranty shall be deemed to cover, any condition attributable to: (1) improper installation of Trex products and/or failure to abide by Trex's installation guidelines, including but not limited to improper gapping; (2) use of Trex products beyond normal use and service conditions, or in an application not recommended by Trex's guidelines and local building codes; (3) movement, distortion, collapse or settling of the ground or the supporting structure on which Trex products are installed; (4) any act of God (such as flooding, hurricane, earthquake, lightning, etc.), environmental condition (such as air pollution, mold, mildew, etc.), staining from foreign substances (such as dirt, grease, oil, etc.), or normal weathering (defined as exposure to sunlight, weather and atmosphere which will cause any colored surface to gradually fade, chalk, or accumulate dirt or stains); (5) variations or changes in color of Trex products; (6) improper handling, storage, abuse or neglect of Trex products by Purchaser, the transferee or third parties; or (7) ordinary wear and tear.

No person or entity is authorized by Trex to make and Trex shall not be bound by any statement or representation as to the quality or performance of Trex products other than as contained in this warranty. This warranty may not be altered or amended except in a written instrument signed by Trex and Purchaser.

UNDER NO CIRCUMSTANCES WILL TREX BE LIABLE FOR SPECIAL, INCIDENTAL OR CONSEQUENTIAL DAMAGES, WHETHER SUCH DAMAGES ARE SOUGHT IN CONTRACT, IN TORT (INCLUDING BUT NOT LIMITED TO NEGLIGENCE AND STRICT LIABILITY) OR OTHERWISE, AND TREX'S LIABILITY WITH RESPECT TO DEFECTIVE PRODUCTS SHALL IN NO EVENT EXCEED THE REPLACEMENT OF SUCH PRODUCTS OR REFUND OF THE PURCHASE PRICE, AS DESCRIBED ABOVE.

Some States or Provinces do not allow the exclusion or limitation of incidental or consequential damages, so the above limitation or exclusion may not apply to you. This warranty gives you specific legal rights, and you may also have other rights that vary from State to State or Province to Province.

TREX REVEAL® RAILING LIMITED WARRANTY

Trex Company, Inc. (hereinafter “Trex”) warrants to the original purchaser (“Purchaser”) that, under normal use and service conditions, Trex Reveal® Railing (the “Product”) shall, for a period of twenty-five (25) years from the date of original purchase, be free from material defects in workmanship and materials. If a defect occurs within the warranty period, Purchaser shall notify Trex in writing and, upon confirmation by an authorized Trex representative of the defect, Trex’s sole responsibility shall be, at its option, to either replace the defective Product or refund the portion of the purchase price paid by Purchaser for such defective Product (not including the cost of its initial installation).

With respect to installations where the atmosphere is influenced by a body of salt water (or other contaminant conditions), failure to adhere to the cleaning guidelines available at www.trex.com will void this warranty with respect to any condition resulting from such failure.

THIS WARRANTY SHALL NOT COVER AND TREX SHALL NOT BE RESPONSIBLE FOR COSTS AND EXPENSES INCURRED WITH RESPECT TO THE REMOVAL OF DEFECTIVE PRODUCT OR THE INSTALLATION OF REPLACEMENT MATERIALS, INCLUDING BUT NOT LIMITED TO LABOR AND FREIGHT.

This warranty may be transferred one (1) time, within the five (5) year period beginning from the date of original purchase by the Purchaser, to a subsequent buyer of the property upon which the Product was originally installed.

To make a claim under this limited warranty, Purchaser, or the transferee, shall send to Trex, within the warranty period referred to above, a description of the claimed defect and proof of purchase, to the following address:

Trex Company, Inc.
Customer Relations
160 Exeter Drive
Winchester, VA 22603-8605

Trex does not warrant against and is not responsible for, and no implied warranty shall be deemed to cover, any condition attributable to: (1) improper installation of the Product; (2) use of the Product beyond normal use and service conditions, or in an application not recommended by Trex’s guidelines and local building codes; (3) movement, distortion, collapse or settling of the ground or the supporting structure on which the Product is installed; (4) damages attributable to fire, violent storms, earthquake or other Acts of God, accidents, vandalism, or other casualties, impact of objects, or exposure to atmospheric pollutants or conditions other than natural weather processes, (5) improper handling, storage, abuse or neglect of the Product by Purchaser, the transferee or third parties; or (6) ordinary wear and tear.

No person or entity is authorized by Trex to make and Trex shall not be bound by any statement or representation as to the quality or performance of Trex products other than as contained in this warranty. This warranty may not be altered or amended except in a written instrument signed by Trex and Purchaser.

UNDER NO CIRCUMSTANCES WILL TREX BE LIABLE FOR SPECIAL, INCIDENTAL OR CONSEQUENTIAL DAMAGES, WHETHER SUCH DAMAGES ARE SOUGHT IN CONTRACT, IN TORT (INCLUDING BUT NOT LIMITED TO NEGLIGENCE AND STRICT LIABILITY) OR OTHERWISE, AND TREX’S LIABILITY WITH RESPECT TO DEFECTIVE PRODUCTS SHALL IN NO EVENT EXCEED THE REPLACEMENT OF SUCH PRODUCTS OR REFUND OF THE PURCHASE PRICE, AS DESCRIBED ABOVE.

Some States or Provinces do not allow the exclusion or limitation of incidental or consequential damages, so the above limitation or exclusion may not apply to you. This warranty gives you specific legal rights, and you may also have other rights that vary from State to State or Province to Province.

Copyright © 2016 Trex Company, Inc.

decking & railing color palette

TREX DECKING

	GREYS	BROWNS	REDS		
TREX TRANSCEND PREMIUM TROPICALS	Island Mist	Tiki Torch	Havana Gold	Spiced Rum	Lava Rock
TREX TRANSCEND CLASSIC EARTH TONES	Gravel Path	Rope Swing	Tree House	Vintage Lantern	Fire Pit
TREX ENHANCE	Clam Shell	Beach Dune	Saddle		
TREX SELECT	Pebble Grey	Saddle	Woodland Brown	Madeira	
	Winchester Grey				

TREX RAILING

TREX TRANSCEND	Classic White	Gravel Path	Charcoal Black	Rope Swing	Fire Pit	Tree House	Vintage Lantern
TREX REVEAL ALUMINUM RAILING	Classic White	Bronze	Charcoal Black				
TREX SELECT	Classic White						



decking: Transcend in Island Mist

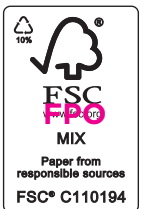
FRAMING | DECKING | RAILING | LIGHTING | FASCIA | STORAGE | FURNITURE | PERGOLA | DRAINAGE



FIND US ON



Visit trex.com or call 1-800-BUY-TREX



© 2016 Trex Company, Inc. All rights reserved. Trex®, the Trex logo, Trex Transcend®, Trex Enhance®, Trex Select®, Trex Hideaway®, Trex Reveal®, Trex Elevations®, Trex® RainEscape®, Trex® OutdoorLighting™, Trex Blade™, Trex® LandscapeLighting™, Trex® Outdoor Storage™, Trex® Spiral Stairs™, Trex® Deck Lighting™, Trex Escapes®, Trex® Pergola™ and TrexPro® are either federally registered trademarks, trademarks or trade dress of Trex Company, Inc., Winchester, Virginia.