

Visit us at : www.swisherinc.com

SWISHER

**OWNER'S
MANUAL
MODEL NO.**

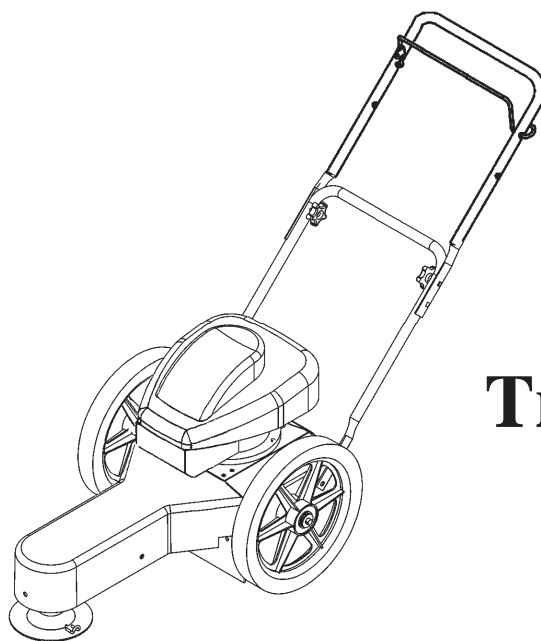
STARTING SERIAL # L212-027001

**ST60022
ST60022-CA
ST65022DLX
ST65022DLX-CA
ST60022Q
ST60022Q-CA8
ST65022DXQ
ST65022DXQ-CA
ST67522Q
ST67522Q-CA**



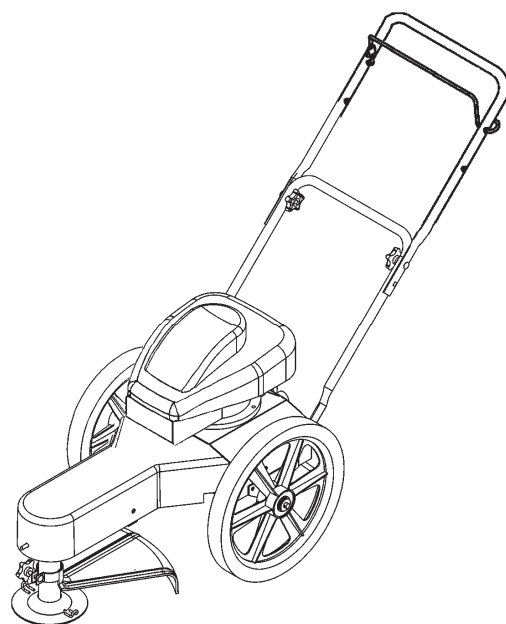
IMPORTANT

Read and follow all
Safety Precautions
and Instructions
before operating this
equipment.



Trim-N-Mow

Trim-Max



**Assembly
Operation
Service and Adjustment
Repair Parts**

SWISHER

1602 CORPORATE DRIVE, WARRENSBURG MISSOURI 64093
PHONE 660-747-8183 FAX 660-747-8650

Manufacturing quality lawn care equipment since 1945

Made In The

USA

LIMITED WARRANTY

The manufacturer's warranty to the original consumer purchaser is: This product is free from defects in materials and workmanship for a period of two (2) years from the date of purchase by the original consumer purchaser. We will repair or replace, at our discretion, parts found to be defective due to materials or workmanship. This warranty is subject to the following limitations and exclusions:

- 1) Engine Warranty All engines utilized on our products have a separate warranty extended to them by the individual engine manufacturer. Any engine service difficulty is the responsibility of the engine manufacturer and in no way is Swisher or its agents responsible for the engine warranty. The Briggs & Stratton Engine Service Hot-Line is 1-800-233-3723.

- 2) Commercial Use This product is not intended for commercial use and carries no commercial warranty.

- 3) Limitation This warranty applies only to products which have been properly assembled, adjusted, and operated in accordance with the instructions contained within this manual. This warranty does not apply to any product of Swisher that has been subject to alteration, misuse, abuse, improper assembly or installation, shipping damage, or to normal wear of the product.

- 4) Exclusions Excluded from this warranty are normal wear, normal adjustments, and normal maintenance.

In the event you have a claim under this warranty, you must return the product to an authorized service dealer. All transportation charges, damage, or loss incurred during transportation of parts submitted for replacement or repair under this warranty shall be borne by the purchaser. Should you have any questions concerning this warranty, please contact us toll-free at 1-800-222-8183. The model number, serial number, date of purchase, and the name of the authorized Swisher dealer from whom you purchased the mower will be needed before any warranty claim can be processed.

THIS WARRANTY DOES NOT APPLY TO ANY INCIDENTAL OR CONSEQUENTIAL DAMAGES AND ANY IMPLIED WARRANTIES ARE LIMITED TO THE SAME TIME PERIODS STATED HEREIN FOR ALL EXPRESSED WARRANTIES. Some states do not allow the limitation of consequential damages or limitations on how long an implied warranty may last, so the above limitations or exclusions may not apply to you. This warranty gives you specific legal rights and you may have other rights, which vary from state-to-state. This is a limited warranty as defined by the Magnuson-Moss Act of 1975.

Safety Instructions



This Safety Alert Symbol indicates important messages in this manual. When you see this symbol, carefully read the message that follows and be alert to the possibility of personal injury.

- Read, understand and follow all instructions in the manual and on the trimmer before starting.
- Read this manual carefully. Become familiar with the controls and how to operate the unit properly.
- Only allow responsible adults, who are familiar with the instructions, to operate the unit.
- Clear the area of objects such as rocks, toys, etc. that could be thrown by the unit.
- Be sure the area is clear of other people before trimming. Stop the unit if anyone enters the area.
- Be aware of the direction of the trimmer discharge and do not direct it at anyone. Do not direct trimmer discharge at breakable objects, such as windows, etc.
- Do not operate trimmer without all guards and shields in place.
- Never leave the machine running unattended.
- Trim only in daylight or good artificial light.
- Do not operate the trimmer while under the influence of alcohol or drugs.
- Watch for traffic when operating near roadways.
- Use the trimmer as the manufacturer intended and as described in the manual.
- Do not operate trimmer if it has been dropped or damaged in any manner. Always have the damage repaired before operating.
- Always wear safety glasses or eye shields when using the trimmer.
- Dress properly. Do not operate the trimmer when barefoot or wearing open sandals. Wear only solid shoes for good traction when trimming. Wear long sleeved shirts or jackets, also long pants. Do not trim in shorts.
- Keep your eyes and mind on your trimmer and the area being trimmed.
- Do not let other interests distract you.
- Do not put hands and feet near or under rotating parts.
- Before cleaning, inspecting or repairing your trimmer, stop the engine and disconnect the spark plug wire and keep it away from the spark plug to prevent accidental starting.
- Do not operate the trimmer if it vibrates abnormally. Excessive vibration is a sign of damage. Stop the engine and safely check for damage and repair as required.
- Do not operate the trimmer in wet grass, where good footing may not be possible. Walk; never run.
- Stop the trimmer when crossing gravel drives, etc.

Slope Operation



Slopes are a major factor related to loss of control and slip accidents, which can result in severe injury. All slopes require extra caution. If you feel uneasy on it do not trim it.

- DO: Trim across the face of a slope and not up and down.
- DO: Remove objects such as rocks, tree limbs, etc.
- DO: Watch for holes, ruts or bumps. Tall grass can hide obstacles.
- DO NOT: Mow near drop-offs, ditches or embankments. The operator could lose footing or balance.
- DO NOT: Trim excessively steep slopes.
- DO NOT: Trim on wet grass. Reduced footing could cause slipping.

Children

- Keep children out of the area and under the watchful care of another responsible adult.
- Be alert and turn the machine off if children enter the area.
- Before and when backing, look behind and down for small children.
- Never allow children to operate this machine.
- Use extra care when approaching blind corners, shrubs, trees or other objects that may obstruct vision.

Service

- Use extra care handling gasoline and other fuels. They are flammable and vapors are explosive.
- Use only an approved container.
- Never remove gas cap or add fuel with the engine running.
- Allow engine to cool before refueling. Do not smoke while refueling.
- Never refuel the machine indoors.
- Never store the machine or fuel container where there is an open flame, such as a water heater.
- Never run a machine inside a closed area.
- Keep nuts and bolts tight and equipment in good condition.
- Never tamper with safety devices.
- Keep machine free of grass, leaves or other debris build up. Clean oil or fuel spillage. Allow machine to cool before storing.
- Stop and inspect the equipment if you strike an object. Repair if necessary before restarting.
- Never make repairs or adjustments with the engine running.



The operation of any cutter can encounter foreign objects to be thrown into the eyes, resulting in severe eye damage. Always wear certified safety glasses or wide-vision safety goggles for over spectacles before starting any cutting machine and while operating such a machine.



The operation of any cutter produces sound waves that are damaging to the human ear. Ear protection is recommended.



CAUTION!

Tragic accidents can occur if the operator is not alert to the presence of children. Children are often attracted to the machine and the mowing activity. *Never assume that children will remain where you last saw them.*



Do not operate the trimmer if it vibrates abnormally. Excessive vibration is a sign of damage. Stop the engine and safely check for damage and repair as required.

CAUTION	IMPORTANT
ADJUST STRING SHIELD TO KEEP DEBRIS FROM COMING BACK TOWARD OPERATOR.	DO NOT CHANGE HEAD POSITION WHILE RUNNING

Caution Notice Decal
OD67

Trimmer Head
Instruction Decal
OD68

TRIMMER HEAD	
TILT	OFFSET
<p>LOOSEN</p> <p>TRIM</p> <p>EDGE</p>	<p>LIFT</p>



WARNING

AVOID SERIOUS INJURY OR DEATH

- DO NOT OPERATE WHEN CHILDREN OR OTHERS ARE AROUND. REMOVE OBJECTS THAT COULD BE THROWN BY THE CUTTING LINES.
- WEAR SAFETY APPROVED EYE PROTECTION WHEN OPERATING.
- DO NOT SERVICE OR ADJUST CUTTING HEAD OR OTHER MOVING PARTS UNLESS ENGINE IS STOPPED AND SPARK PLUG WIRE IS DISCONNECTED.
- KEEP SAFETY DEVICES, SUCH AS GUARDS AND DEFLECTORS, IN PLACE AND OPERATING.
- GO ACROSS SLOPES NOT UP AND DOWN.
- LOOK DOWN AND BEHIND BEFORE AND WHILE MOVING BACKWARDS.
- READ AND FOLLOW OWNER'S MANUAL.

Trim-Max Decal
OD64



WARNING

AVOID SERIOUS INJURY OR DEATH

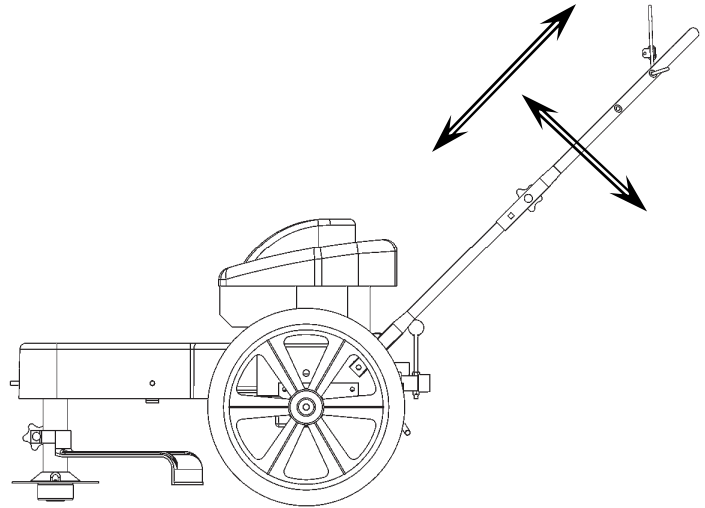
- DO NOT OPERATE WHEN CHILDREN OR OTHERS ARE AROUND. REMOVE OBJECTS THAT COULD BE THROWN BY THE CUTTING LINES.
- WEAR SAFETY APPROVED EYE PROTECTION WHEN OPERATING.
- DO NOT SERVICE OR ADJUST CUTTING HEAD OR OTHER MOVING PARTS UNLESS ENGINE IS STOPPED AND SPARK PLUG WIRE IS DISCONNECTED.
- KEEP SAFETY DEVICES, SUCH AS GUARDS AND DEFLECTORS, IN PLACE AND OPERATING.
- GO ACROSS SLOPES NOT UP AND DOWN.
- LOOK DOWN AND BEHIND BEFORE AND WHILE MOVING BACKWARDS.
- READ AND FOLLOW OWNER'S MANUAL.

Trim-N-Mow Decal
OD65

Assembly

Contents of Box:

- Trimmer
- Parts bag containing:
- Manual
- Engine manual
- Safety goggles
- Bottle of engine oil
- 2 sets of .155 trimmer line
- Cable Clip



Handle Adjustment

Tools Required:

- ½" wrench

Installation of handles:

- Remove loose fasteners from lower handles.
- Pivot handles up and align lower hole in handles with hole on trimmer frame. Install hardware removed in previous step. Snug, but do not tighten bolts.
- Pivot upper handles to fit the lower handles. Tighten knobs.
- Adjust handles for comfortable operation.
- Tighten all bolts.

Handles may be adjusted up and down and in and out for comfortable operation.

Installation Of Wheels

Refer to Page 12 for illustration.

- Slide axle through the mounting plates.
- Install Conical springs with the large diameter side against the Axle Plate.
- Install Spring Retainer against the conical spring.
- Slip wheel on one side and install Cotter Pin.
- Bend cotter pin over to prevent it from falling out.
- Push the Axle completely over to the other side.
- Install the second wheel and insert cotter pin and bend. Some compression of the conical springs is necessary .

Preparing Unit For First Use

- Fill engine crankcase with oil. A bottle has been provided with this unit. DO NOT OVERFILL.
- Fill the engine fuel tank with gasoline. GASOLINE SHOULD BE ADDED OUTSIDE IN A WELL-VENTILATED AREA.
- Check to ensure string has been installed properly. A diagram is provided just above the wheel for proper installation.

Operation

Important! To ensure proper operation, clean the engine and trimmer regularly. Remove any build up of chaff from the top of the engine.

To stop the trimmer:

- Release the control bail. Engine will stop immediately.

To start the trimmer:

- Remove any built up debris from engine.
- Pull control bail against the handle and hold.
- Push primer button on engine as directed.
- Pull back sharply on recoil starter handle.
- Begin trimming.

Important! For safest operation, make sure debris is directed away from you and others.

Trimming Tips

- Do not lift the trimmer head when trimming. Let the head rest lightly touching the ground.
- Keep an eye on the length of the trimmer line. As the line gets shorter they become less effective at cutting and will take longer to trim properly. Replace the line as necessary (see Installing Trimmer Line).
- Do not trim wet grass.
- Use caution when trimming slopes.
- Use the proper length on line. Using a line too long for the unit will cause stalling and unacceptable operation.

Troubleshooting

- **If engine will not start, remove and check air filter to make sure filter and carburetor are clean.**

Installing Trimmer Line

Important! Use the proper length of line. Using a line too long for the unit will cause stalling and unacceptable operation.

Use 18" Trimmer Line Part Number **P3618**



- Loosely fold cutter line in half.
- (1) Place loop of line against outside of loop on the trimmer head.
- (2) Bring ends around and through the loop and over the cutter line loop.
- (3) Pull ends to tighten loop.

Trim-Max Operation

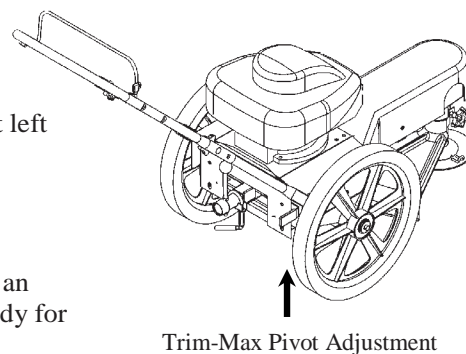
The Trim-Max trimmer is designed to also be used as an edge trimmer and to offset left to right for easier close trimming.

Edge Trimming/ Bevel Cutting

The trimmer disk may be tilted from horizontal to vertical so that it may be used as an edge trimmer. The head may also be tilted slightly to trim closer. This may be handy for trimming foundations without damaging the siding.

To Tilt:

- Stop unit.
- Make sure head is in the straight forward position (see Offset Trimming).
- Loosen the trimmer tilt clamp lever. (Clockwise)
- Tilt head to desired position.
- Tighten trimmer tilt clamp lever. (Counter Clockwise)
- Adjust lower trimmer shield to keep debris from coming back at operator.

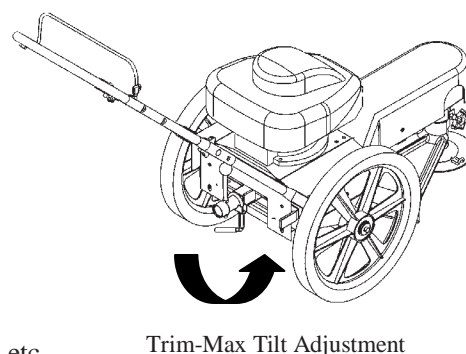


Offset Trimming:

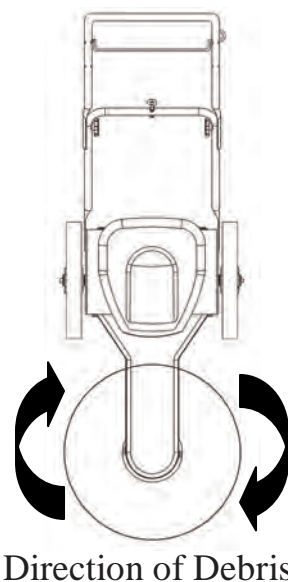
The trimmer head may be offset to the left or right to allow trimming under bushes, etc.

To Offset:

- Stop unit.
- Raise offset lever.
- Push or pull handles to achieve desired offset.
- Release offset lever. Make sure head has locked into position.
- Adjust lower trimmer shield to keep debris from coming back at operator.



Important! Note direction of debris when offsetting head. Offsetting trimmer to the left is recommended.



Trimmer Maintenance

Make sure your trimmer is in safe working condition by keeping the following guidelines in mind every time you use your trimmer.

- Keep trimmer in good operating condition and keep all guards and shields in place. **DO NOT** operate this trimmer if any of the shields and guards are missing.
- Check all fasteners for secure fit to keep equipment in safe working order. Make adjustments as necessary.
- To reduce fire hazards, keep engine free of grass leaves or excessive grease.
- **DO NOT** operate trimmer with a damaged or missing muffler. **DO NOT** tamper with exhaust system; this may cause a fire hazard.
- **DO NOT** operate engine if air cleaner or the cover over the carburetor air intake is missing. Removal of these parts could create a fire hazard.
- Before cleaning, making adjustments or repairing the trimmer, **STOP** engine, disconnect spark plug wire and allow engine to cool.
- Handle gasoline with care. **DO NOT** smoke or use open flame near gasoline. Use only approved gasoline containers. Never fuel or run trimmer in poorly ventilated areas, such as a garage or utility building.
- Always replace fuel tank cap. Be sure to clean up any spilled gasoline.
- Do not change the engine governor settings or over-speed the engine; severe injury or damage may result.
- Never store mower, with gasoline in the tank, inside a building where fumes may reach an open flame or spark. Always allow engine to cool before storing



NEVER ADD GASOLINE TO A HOT ENGINE – ALLOW ENGINE TO COOL BEFORE ADDING GASOLINE



WARNING – ALWAYS STOP ENGINE AND DISCONNECT SPARK PLUG WIRE BEFORE PERFORMING ANY ADJUSTMENTS OR SERVICE

Engine

- Refer to the engine service manual provided with this unit.

Belt

- Occasionally check the belt for wear. A worn belt should be replaced.

Belt Adjustment

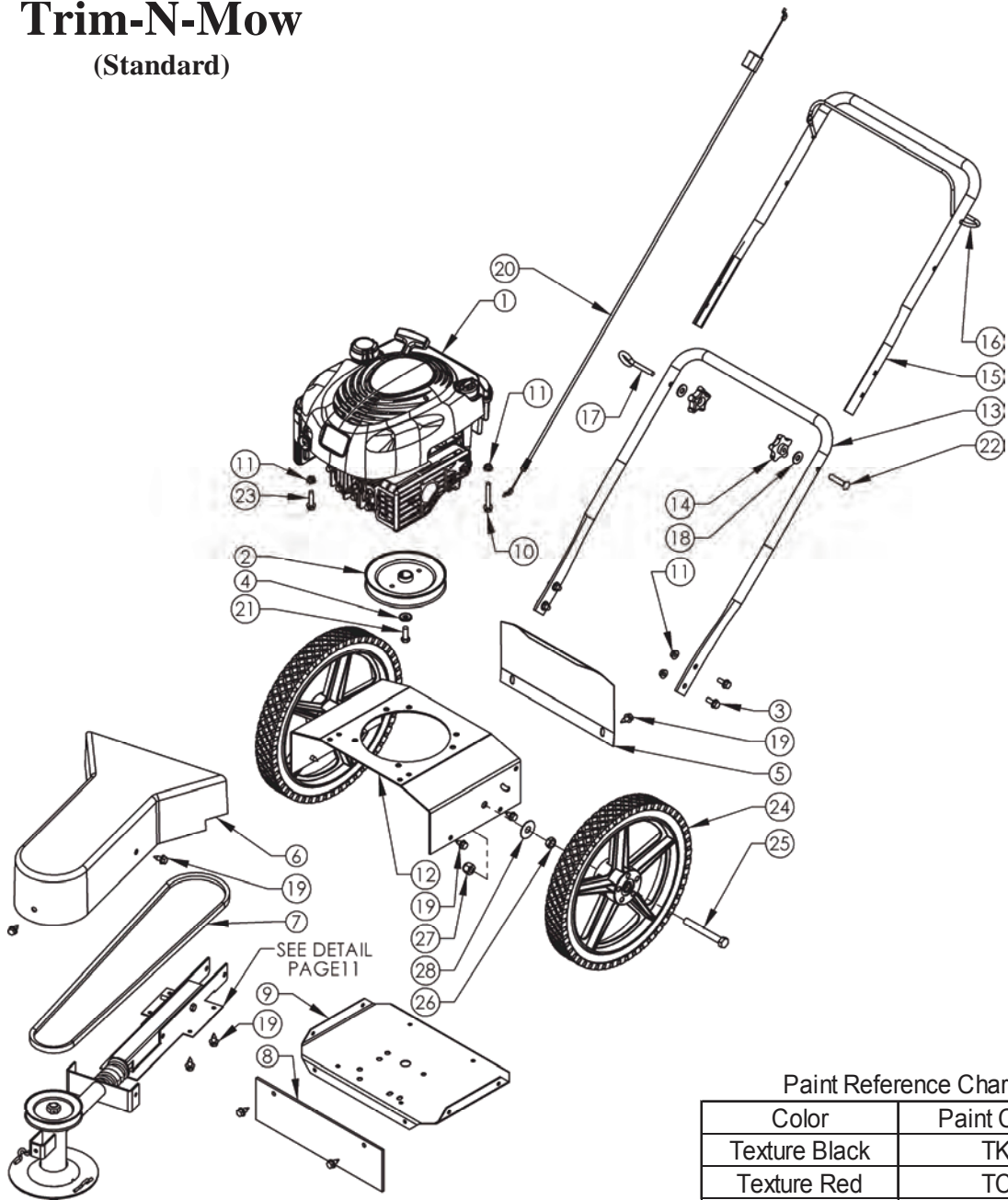
- The TRIM-N-MOW has an automatic belt tightener and needs no further adjustment
- The TRIM-MAX has an automatic belt tightener that automatically adjusts when the head is tilted. If you do not regularly tilt the head on your trimmer, it is recommended that you loosen the head twice a year (see Edge Trimming).

Belt Replacement

- Remove front belt cover.
- Push trimmer head toward back of unit, compressing tensioner spring.
- Remove old belt.
- Install new belt by first routing belt under the engine and around the engine pulley.
- Push trimmer head toward back of unit, compressing tensioner spring.
- Install belt over front pulley.
- Release trimmer head. Ensure that belt is correctly installed in the groove of the engine and front pulleys. Reinstall front belt cover.

Trim-N-Mow

(Standard)



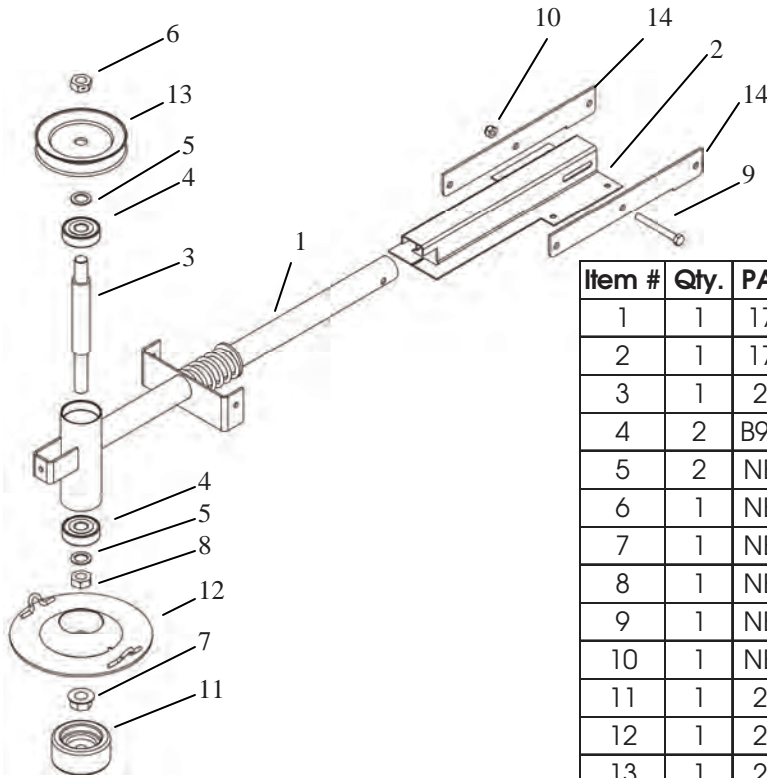
Paint Reference Chart

Color	Paint Code
Texture Black	TK
Texture Red	TC

Item #	Description	Part #
1	Briggs & Stratton Engine	N/A
2	Pulley - Engine; Trimmer	2063
3	5/16-18 X 3/4 Serr Flg Bolt	NB596
4	SP Washer Bellvile	NB607
5	Rear Cover	2026
6	Belt Guard	2019
7	Blade Belt	2113
8	Rubber Shield	2027
9	Lower Motor Base	2006
10	5/16-18 X 1 1/4 Flange Bolt	NB253
11	5/16-18 Serrated Flange Nut	NB170
12	Upper Motor Base	2005
13	Lower Handle	10399TK
14	Black Plastic Knob	2030

Item #	Description	Part #
15	Upper Handle	10578TK
16	Operator Presence Bail	10397
17	Eyebolt - 3/8-16 X 2 ZY	NB204
18	Washer	NB275
19	5/16-18 x 3/4 Self Tapping Screw	26X249
20	Operator Presence Cable	2034B
21	3/8-24 X 1 Engine Bolt Locktite	NB238N
22	5/16-18 X 2 Carriage Bolt	NB587
23	5/16-18 X 2 1/4 Flange Bolt	NB622
24	14" Wheel	2002K
25	Bolt - 1/2-13 X 4 HCC GR5 ZY	NB132
26	Nut - Jam, 1/2-13 ZY Gr 2	NB118
27	Nut - Nyloc 1/2-13 ZY Standard Pattern	NB281
28	Washer - .531IDX1 1/2ODX.062(Ht Trtd)ZY	TR150W

Trimmer Head Assembly for Trim-N-Mow



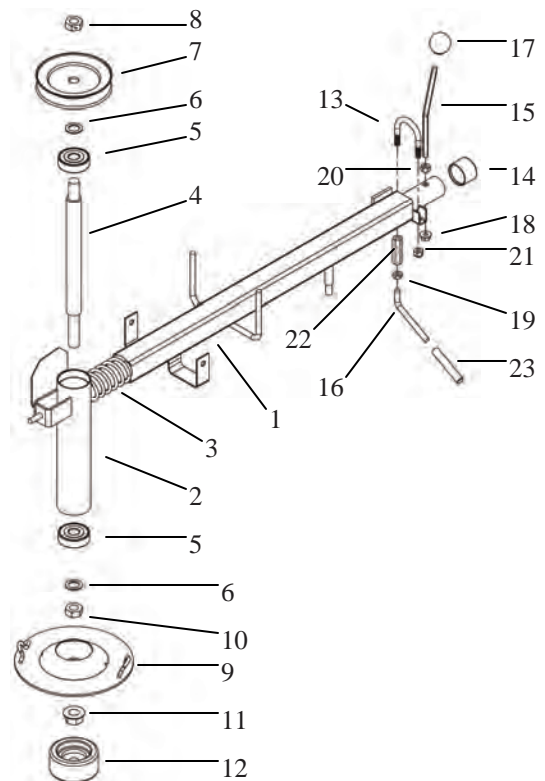
Paint Reference Chart

Color	Paint Code
Texture Black	TK
Texture Red	TC

Item #	Qty.	PART #	Description
1	1	17665	Trimmer Head - Assembly (Std)
2	1	17651	Slide - Weldment
3	1	2024	Shaft - Spinner Standard
4	2	B985/8	Bearing - Sealed with 20mm Bore
5	2	NB149	Washer - 5/8 ID X 1 OD 14 Ga
6	1	NB595	Nut - 2 Way Locking Jam 5/8-11
7	1	NB598	Nut - Serr Flange, 5/8-11 Grade 2
8	1	NB586	Nut - Hex Jam 5/8-11
9	1	NB106	Bolt - 5/16"-18 X 2 3/4 Grade 5
10	1	NB181	Nut - Nyloc 5/16-18
11	1	2035	Roller - Threaded
12	1	2021	Disc - Trimmer Spinner Weldment
13	1	2049	Pulley - Blade 4.5"
14	2	15748	Head Brace - String Trimmer

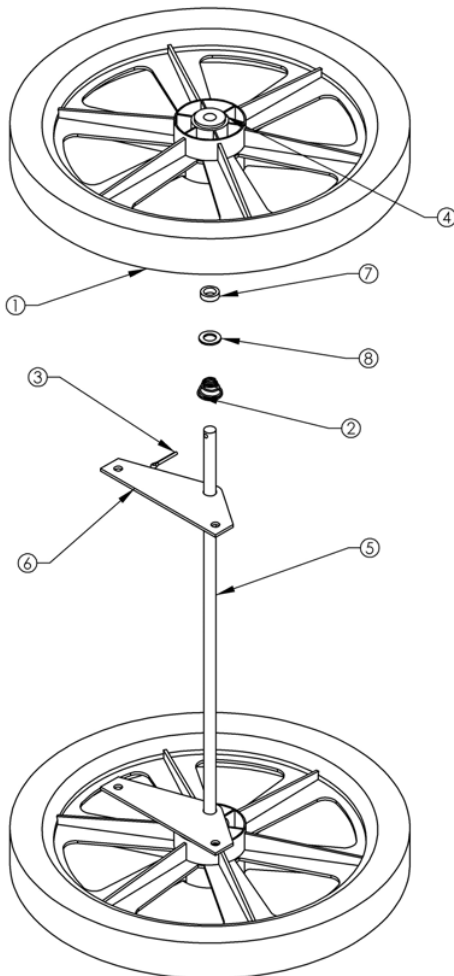
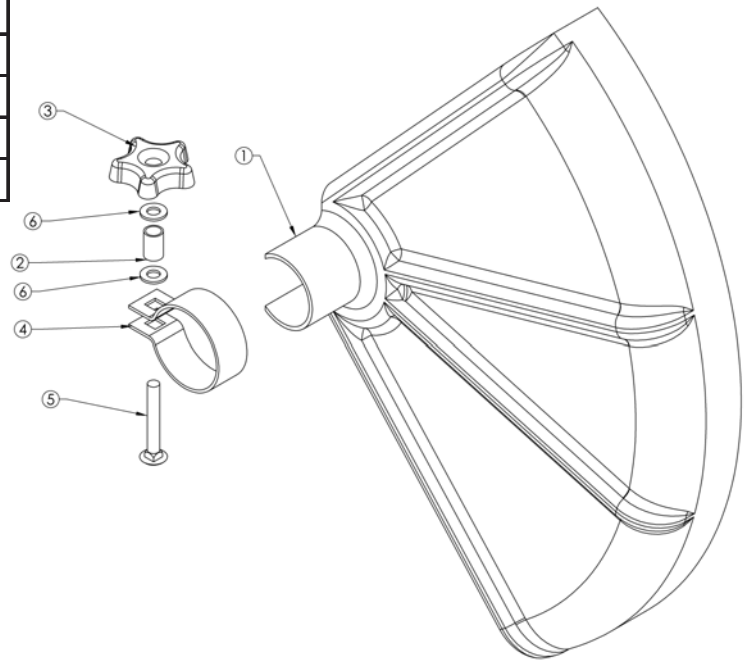
Trimmer Head Assembly for Trim-Max

Item #	Qty.	Part #	Description
1	1	2107	Slide - Weldment, DLX Trimmer
2	1	2110	Head - Weldment DLX Punched
3	1	2033	Spring - Compression
4	1	2124	Shaft - Spinner Deluxe
5	2	B985/8	Bearing - Sealed with 20mm Bore
6	2	NB149	Washer - 5/8 ID X 1 OD 14 Ga
7	1	2049	Pulley - Blade 4.5"
8	1	NB595	Nut - 2 Way Locking Jam 5/8-11
9	1	2021	Disc - Trimmer Spinner Weldment
10	1	NB586	Nut - Hex Jam 5/8-11
11	1	NB598	Nut - Serr Flange, 5/8-11 Grade 2
12	1	2035	Roller - Threaded
13	1	2075	U-Bolt - Tilt Clamp
14	1	2068	Cap - Plastic 1-1/4"
15	1	2103A	Handle - Pivot
16	1	2083	Handle - Bent
17	1	B19BLACK	Knob
18	1	NB170	Nut - Serrated Flange 5/16-18
19	1	NB173	Nut - Jam 5/16-18
20	1	NB210Z	Nut - 5/16-18 Grade 2
21	1	NB181	Nut - Nyloc 5/16-18
22	1	NB594	Nut - Coupling 5/16 - 18 x 1 3/4
23	1	2078	Grip - Tilt Handle, Yellow



Service Part 2076 Parts Breakdown

Item #	Description	Part #
1	Shield	2042
2	Spacer	2084
3	Knob	2030
4	Clamp	2043
5	Bolt	NB110
6	Washer	NB275



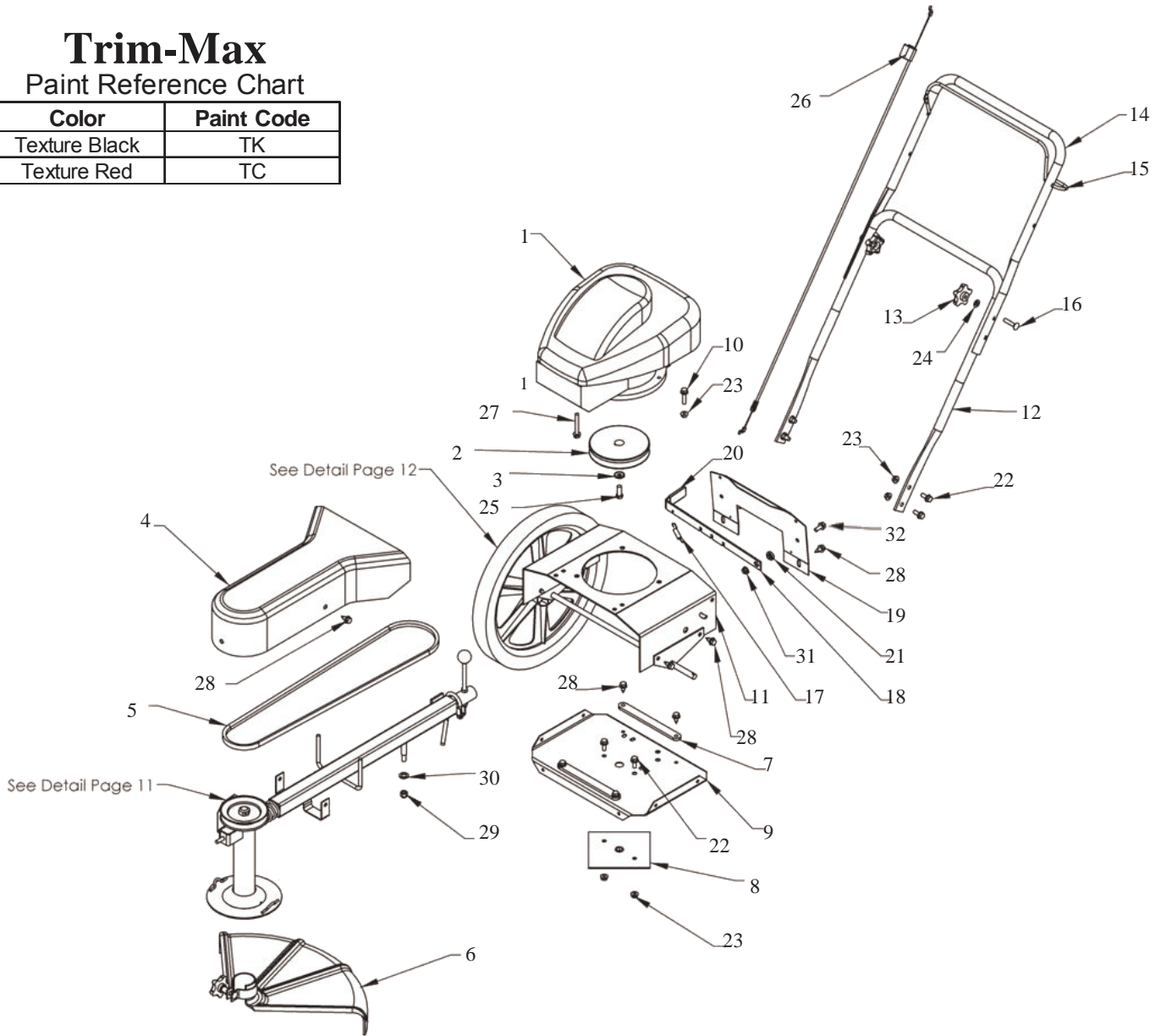
Axle Setup for Trim-Max

Item #	Description	Part #
1	16" Wheel	2003K
2	Conical Spring	10004
3	Cotter Pin	NB126
4	Wheel Bearing	18818
5	Axle	14416
6	Axle Plate	2106
7	Spring Retainer	T2PB
8	Washer	NB177

Trim-Max

Paint Reference Chart

Color	Paint Code
Texture Black	TK
Texture Red	TC



Item #	Description	Part #	Item #	Description	Part #
1	Briggs & Stratton Engine	N/A	17	Spring	2069
2	Pulley - Engine; Trimmer	2063	18	Pivot Stop	2040
3	SP Washer Bellville	NB607	19	Rear Cover	2126
4	Belt Guard	2119	20	Handle Grip, Pivot	2077
5	Blade Belt	2113	21	Spacer	B99S
6	Lower Shield Sub Assy.	2076	22	5/16-18 X 3/4 Serr Flng Bolt	NB596
7	Wear Strip	2116	23	5/16-18 Serrated Flange Nut	NB170
8	Pivot Plate Weldment	2073	24	Washer	NB275
9	Lower Motor Base	2006	25	3/8-24 X 1 Engine Bolt Locktite	NB238N
10	5/16-18 X 1 1/4 Flange Bolt	NB253	26	Operator Presence Cable	2034B
11	Upper Motor Base	2005	27	5/16-18 X 2 1/4 Serr Flg Bolt	NB622
12	Lower Handle	10399TK	28	5/16-18 X 1/2 Serr Flng Bolt	26x249
13	Black Plastic Knob	2030	29	3/8-16 Nyloc Nut	NB182
14	Upper Handle	10578TK	30	1/2-14 GA. Mach Washer	NB177
15	Operator Presence Bail	10397	31	Nut - Nyloc 5/16-18 ZY	NB181
16	5/16-18 X 1 1/2 Carriage Bolt	NB587	32	Bolt - 5/16-18 X 1 HCC GR5 ZY	NB501



OWNER'S MANUAL

MODEL NO.

STARTING SERIAL # L212-027001

ST60022
ST60022-CA
ST65022DLX
ST65022DLX-CA
ST60022Q
ST60022Q-CA8
ST65022DXQ
ST65022DXQ-CA
ST67522Q
ST67522Q-CA

Each trimmer has its own model number. Each engine has its own model number. The model number for the trimmer will be found on the left hand side of the motor base. The model number for the engine will be found on the top of the blower fan housing.

All trimmer parts listed herein may be ordered directly from Swisher or your nearest Swisher dealer.

All engine parts may be ordered from the nearest dealer of the engine supplied with your mower.

WHEN ORDERING PARTS, PLEASE HAVE THE FOLLOWING INFORMATION AVAILABLE:

- * PRODUCT - TRIMMER
- * SERIAL NUMBER - _____
- * MODEL NUMBER - _____
- * ENGINE MODEL NUMBER - _____
TYPE - _____
- * PART NUMBER WITH PAINT CODE
- * PART DESCRIPTION

TELEPHONE - 1-800-222-8183

FAX - 1-660-747-8650

SWISHER

1602 CORPORATE DRIVE
WARRENSBURG, MO 64093



Visítenos en: www.swisherinc.com

SWISHER

**MANUAL DEL
PROPIETARIO
MODELO NO.**

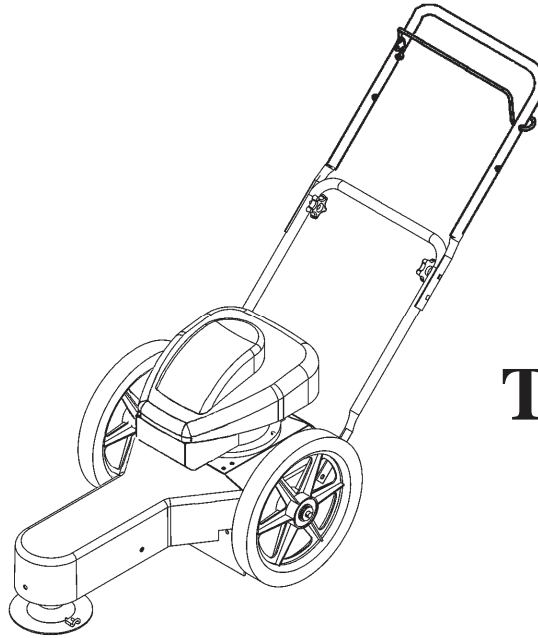
STARTING SERIAL # L212-027001

**ST60022
ST60022-CA
ST65022DLX
ST65022DLX-CA
ST60022Q
ST60022Q-CA8
ST65022DXQ
ST65022DXQ-CA
ST67522Q
ST67522Q-CA**



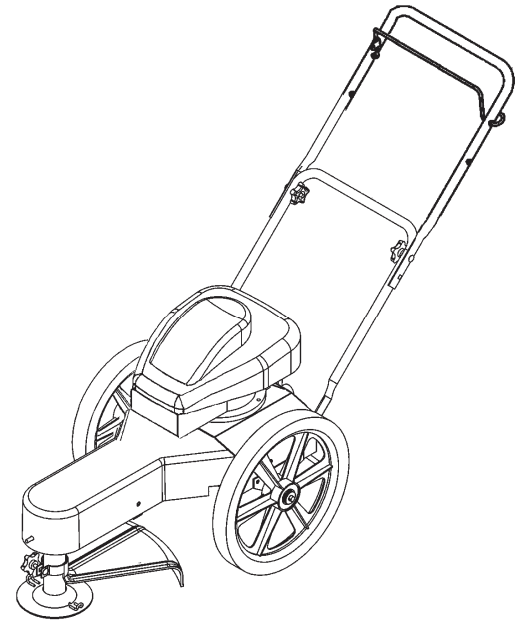
IMPORTANTE

Lea y siga todas las advertencias e instrucciones sobre seguridad antes de poner en funcionamiento este equipo.



Trim-N-Mow

Trim-Max



**Ensamblaje
Funcionamiento
Servicio y ajuste
Piezas para reparación**

SWISHER

1602 CORPORATE DRIVE, WARRENSBURG MISSOURI 64093
TELÉFONO 660-747-8183 FAX 660-747-8650

Fabricando equipos de calidad para el cuidado del césped, desde 1945

Hecho en
EE.UU.

GARANTÍA LIMITADA

La garantía que el fabricante otorga al comprador original es: Este producto está libre de defectos en los materiales y la mano de obra por un periodo de dos (2) años desde la fecha de compra por parte del comprador consumidor original. Repararemos o cambiaremos, a nuestra discreción, las partes que se determine estén defectuosas debido a los materiales o a la mano de obra. Esta garantía está sujeta a las siguientes limitaciones y exclusiones:

- 1) Garantía del motor Todos los motores que se utilizan en nuestros productos poseen una garantía separada que las extiende el fabricante a cada motor. Cualquier problema en el funcionamiento del motor es responsabilidad del fabricante del motor y de ninguna manera Swisher o sus agentes son responsables por la garantía del motor. El teléfono de atención de Briggs & Stratton Engine Service Hot-Line es 1-800-233-3723.

- 2) Uso Comercial Este producto no ha sido diseñado para uso comercial y no posee garantía comercial.

- 3) Limitación Esta garantía se aplica sólo a los productos que se han ensamblado, ajustado y operados correctamente de acuerdo con las instrucciones contenidas en este manual. Esta garantía no se aplica a ningún producto de Swisher que ha sido objeto de modificaciones, mal uso, abuso, ensamblaje o instalación incorrectos, daños en el embarque, o a un desgaste normal del producto.

- 4) Exclusiones Están excluidos de esta garantía el desgaste normal, los ajustes normales y el mantenimiento normal.

En caso de que usted tenga un reclamo amparado por esta garantía, debe regresar el producto a un representante de servicio autorizado. Todos los cargos de transporte, daños o pérdida que se produzcan durante el transporte de las piezas suministradas para el cambio o reparación bajo esta garantía los cubrirá el comprador. Si tiene preguntas relacionadas con esta garantía, por favor llámenos al número gratis 1-800-222-8183. Antes de procesar cualquier reclamo cubierto por la garantía, necesitamos saber el número del modelo, el número del serial y el nombre del distribuidor Swisher autorizado en donde usted compró la podadora.

ESTA GARANTÍA NO SE APLICA A DAÑOS INCIDENTALES O CONSECUENCIALES Y CUALQUIERA DE LAS GARANTÍAS IMPLÍCITAS SE LIMITAN AL MISMO PERIODO DE TIEMPO ESTABLECIDO AQUÍ, PARA TODAS LAS GARANTÍAS EXPRESAS. Algunos estados no permiten la limitación de los daños consecuenciales o las limitaciones en la duración de una garantía implícita, así que las limitaciones o las exclusiones de arriba es posible que no apliquen para usted. Esta garantía le otorga derechos legales específicos y usted puede tener otros derechos, los cuales varían de un estado a otro. Esta es una garantía limitada de acuerdo a como se ha definido en la ley Magnuson-Moss Act de 1975.

Instrucciones sobre seguridad



Este símbolo de alerta de seguridad indica mensajes importantes en este manual. Cuando vea este símbolo, lea cuidadosamente el mensaje que sigue y esté alerta a la posibilidad de lesiones personales

- Lea, comprenda y siga todas las instrucciones del manual y sobre la orilladora antes de encenderla
- Lea cuidadosamente este manual. Familiarícese con los controles y cómo operar correctamente la unidad.
- Sólo permita que los adultos responsables, que estén familiarizados con las instrucciones operen la unidad.
- Limpie el área de objetos tales como rocas, juguetes, etc., que pudieran ser arrojados por la unidad.
- Asegúrese de que no haya otras personas antes de hacer recortes. Detenga la unidad si alguien entra al área.
- Esté alerta sobre la dirección de la descarga de la orilladora y no la dirija hacia nadie.
- No dirija la descarga de la orilladora hacia objetos rompibles, tales como ventanas, etc.
- No ponga en funcionamiento la orilladora sin que tenga colocadas todas las protecciones y pantallas.
- Nunca deje la máquina funcionando sin supervisión.
- Pude sólo bajo la luz del día o con buena luz artificial.
- No opere la orilladora mientras esté bajo la influencia del alcohol o de drogas.
- Tenga cuidado con el tráfico cuando esté operando cerca de vías de comunicación.
- Use la orilladora de acuerdo a lo proyectado por el fabricante y como se describe en el manual.
- No ponga a funcionar la orilladora si se ha caído o está dañada de alguna forma. Siempre haga que reparen los daños antes de ponerla a funcionar.
- Siempre use gafas de seguridad o protectores para los ojos cuando use la orilladora.
- Vístase adecuadamente. No opera la orilladora cuando esté descalzo o cuando use sandalias abiertas. Use sólo zapatos sólidos para una buena tracción cuando esté rebajando. Use camisas manga larga o chaquetas, también use pantalones largos. No pude usando pantalones cortos.
- Mantenga los ojos y la mente en su orilladora y en el área que está podando.
- No permita que otros intereses lo distraigan.
- No coloque las manos y los pies cerca o debajo de las piezas rotatorias.
- Antes de limpiarla inspeccione o repare la orilladora, pare el motor y desconecte el cable de la bujía y manténgalo lejos de la bujía para evitar un arranque accidental.
- No opere la orilladora si vibra anormalmente. La vibración excesiva es una señal de daño. Pare el motor y revise cuidadosamente el daño y repárelo como sea necesario.
- No ponga a funcionar la orilladora sobre grama húmeda, donde no sea posible una pisada firme. Camine; nunca corra.
- Detenga la orilladora cuando cruce sobre sendas de grava, etc.

Funcionamiento en pendiente



Las pendientes son un factor principal relacionado con la pérdida de control y de accidentes por resbalones, los cuales pueden ocasionar lesiones graves. Todas las pendientes exigen mayor precaución. Si se siente incómodo en una pendiente no realice la poda.

- Sí: Poda a través de la cara de una pendiente y no arriba y abajo
- Sí: Quite los objetos tales como rocas, ramas de árboles, etc.
- Sí: Esté pendiente de los agujeros, los surcos o los topes. El césped alto puede esconder los obstáculos.
- NO: Poda cerca de declives, zanjas o terraplenes. El operador podría perder apoyo o balance.
- NO: Poda en exceso las pendientes pronunciadas
- NO: Poda sobre el césped húmedo. La pisada sin apoyo podría ocasionar resbalones.

Niños

- Mantenga a los niños fuera del área y bajo la supervisión de otro adulto responsable.
- Esté alerta y apague la máquina si los niños entran al área.
- Antes y cuando repase, observe hacia atrás y hacia abajo si hay niños.
- Nunca permita que los niños pongan a funcionar esta máquina.
- Tenga mayor cuidado cuando se aproxime a las esquinas ciegas, arbustos, árboles o hacia otros objetos que puedan obstruir la visión.

Servicio

- Tenga mucho cuidado cuando manipule gasolina y otros combustibles. Son inflamables y sus gases son explosivos.
- Use sólo un recipiente aprobado.
- Nunca quite la tapa de la gasolina o añada combustible con el motor encendido.
- Permita que el motor se enfríe antes de agregarle más combustible. No fume.
- Nunca recargue de combustible la máquina en ambientes interiores.
- Nunca almacene la máquina o el recipiente de combustible donde haya una llama abierta, tal como un calentador de agua.
- Nunca ponga a funcionar una máquina en un área cerrada.
- Mantenga las tuercas y los pernos roscados apretados y el equipo en buena condición.
- Nunca interfiera los dispositivos de seguridad
- Mantenga la máquina libre de grama, hojas o de otras partículas. Limpie los derrames de aceite y de combustible. Permita que la máquina se enfríe antes de almacenarla.
- Detenga e inspeccione el equipo si golpea un objeto. Repárelo, si es necesario, antes de volverlo a encender.
- Nunca haga reparaciones o ajustes con el motor encendido.



Cuando está en funcionamiento, cualquier cortadora puede chocar con objetos extraños que podrían ser lanzados a los ojos, lo que podría causar lesiones graves. Siempre use lentes de seguridad certificados o gafas de seguridad de visión amplia sobre los anteojos, antes de fijar la vista en cualquier maquina cortadora y mientras esté operando tal máquina.



El funcionamiento de cualquier cortadora produce ondas sonoras que pueden dañar el oído humano. Se recomienda protección para los oídos.



¡PRECAUCIÓN! Pueden ocurrir accidentes trágicos si el operador no está alerta a la presencia de los niños. Los niños, a menudo, se sienten atraídos por las máquinas y por la actividad de podar. *Nunca asuma que los niños se quedarán donde usted los vió anteriormente.*



No opere la orilladora si vibra anormalmente. La vibración excesiva es una señal de daño. Pare el motor y revise con cuidado el daño y repárelo como sea necesario

CAUTION	IMPORTANT
ADJUST STRING SHIELD TO KEEP DEBRIS FROM COMING BACK TOWARD OPERATOR.	DO NOT CHANGE HEAD POSITION WHILE RUNNING

Decal OD67 Trim Notificación de advertencia

Decal OD68
Instrucción para la cabeza recortadora

TRIMMER HEAD	
TILT	OFFSET
<p>LOOSEN</p> <p>TRIM</p> <p>EDGE</p>	<p>LIFT</p>



WARNING

AVOID SERIOUS INJURY OR DEATH

- DO NOT OPERATE WHEN CHILDREN OR OTHERS ARE AROUND. REMOVE OBJECTS THAT COULD BE THROWN BY THE CUTTING LINES.
- WEAR SAFETY APPROVED EYE PROTECTION WHEN OPERATING.
- DO NOT SERVICE OR ADJUST CUTTING HEAD OR OTHER MOVING PARTS UNLESS ENGINE IS STOPPED AND SPARK PLUG WIRE IS DISCONNECTED.
- KEEP SAFETY DEVICES, SUCH AS GUARDS AND DEFLECTORS, IN PLACE AND OPERATING.
- GO ACROSS SLOPES NOT UP AND DOWN.
- LOOK DOWN AND BEHIND BEFORE AND WHILE MOVING BACKWARDS.
- READ AND FOLLOW OWNER'S MANUAL.

Trim-Max Decal OD64



WARNING

AVOID SERIOUS INJURY OR DEATH

- DO NOT OPERATE WHEN CHILDREN OR OTHERS ARE AROUND. REMOVE OBJECTS THAT COULD BE THROWN BY THE CUTTING LINES.
- WEAR SAFETY APPROVED EYE PROTECTION WHEN OPERATING.
- DO NOT SERVICE OR ADJUST CUTTING HEAD OR OTHER MOVING PARTS UNLESS ENGINE IS STOPPED AND SPARK PLUG WIRE IS DISCONNECTED.
- KEEP SAFETY DEVICES, SUCH AS GUARDS AND DEFLECTORS, IN PLACE AND OPERATING.
- GO ACROSS SLOPES NOT UP AND DOWN.
- LOOK DOWN AND BEHIND BEFORE AND WHILE MOVING BACKWARDS.
- READ AND FOLLOW OWNER'S MANUAL.

Trim-N-Mow Decal OD65

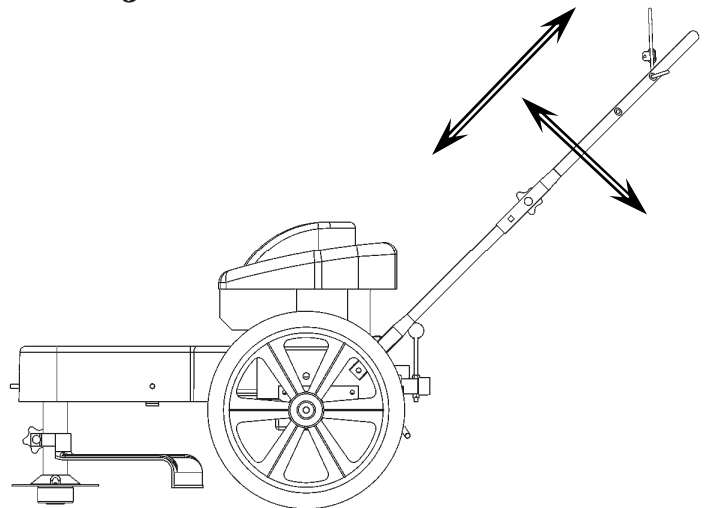
Ensamblaje

Las cajas contienen:

- Orilladora
- Contenido de las piezas en bolsas:
- Manual
- Manual del motor
- Gafas de seguridad
- Botella de aceite de motor
- 2 juegos de línea cortadora de .155
- Sujetador de cable

Herramientas necesarias:

- Llave de 12,7 mm



Ajuste del mango

Instalación de los mangos

- Quite los sujetadores sueltos de los mangos inferiores
- Déle vuelta hacia arriba a los mangos y alinee el agujero inferior de los mangos con el agujero del marco de la orilladora.
- Instale los accesorios que se quitaron en el paso anterior. Ajuste, pero no apriete los pernos roscados.
- Déle vuelta a los mangos superiores para que se acoplen con los mangos inferiores. Apriete los botones.
- Ajuste los mangos para que funcionen cómodamente.
- Apriete todos los pernos roscados.

Los mangos se pueden ajustar hacia arriba y hacia abajo y hacia adentro y hacia fuera para proporcionar un funcionamiento cómodo.

Instalación de las ruedas

Refiérase a la página 12 y vea las ilustraciones

- Deslice el eje a través de las placas de montaje.
- Instale los resortes cónicos con el lado de diámetro mayor apoyado contra la placa del eje.
- Instale la primavera de retención contra el resorte cónico.
- Deslice la rueda hacia un lado e instale el pasador de chaveta.
- Doble el pasador de chaveta para evitar que se caiga.
- Empuje el eje totalmente hacia el otro lado.
- Instale la segunda rueda e introduzca el pasador de chaveta y dóblelo. Es necesario comprimir un poco los resortes cónicos.

Preparación de la unidad para uso por primera vez

- Llene el cárter del motor con aceite. Con esta unidad se ha suministrado un envase con aceite. **NO LO SOBRELLENE.**
- Llene el tanque de combustible del motor con gasolina.
LA GASOLINA DEBE AGREGARSE EN EL EXTERIOR, EN UN ÁREA BIEN VENTILADA.
- Inspeccione para estar seguro de que la cuerda se ha instalado correctamente. Para realizar una instalación correcta, se ha proporcionado un diagrama, y está exactamente arriba de la rueda

Funcionamiento

¡Importante! Para asegurar un funcionamiento adecuado, limpie el motor y la orilladora con regularidad. Quite de la parte superior del motor cualquier acumulación de paja desmenuzada.

Para detener la orilladora:

- Libere la varilla de control. El motor se parará inmediatamente.

Para encender la orilladora:

- Quite cualquier partícula acumulada en el motor.
- Hale la varilla de control contra el mango y mantenga.
- Presione el botón cebador del motor, como se indicó.
- Vuelva a halar repentinamente el mango del arrancador de cuerda

¡Importante! Para un funcionamiento más seguro, compruebe que los fragmentos no estén dirigidos hacia usted o hacia otros.

¡Importante! En las unidades de arranque de 12 voltios. Para un desempeño óptimo de la batería, debe funcionar el motor por al menos 15 minutos después del arranque para mantener la batería cargada.

Consejos para podar

- No levante la cabeza recortadora cuando esté podando. Deje que la cabeza descansa levemente, tocando la tierra.
- Mantenga un ojo sobre la longitud de la línea recortadora. A medida que la línea se hace más corta también se hace menos efectiva para cortar y llevará más tiempo para podar adecuadamente. Cambie la línea cuando sea necesario. (Vea la instalación de la línea recortadora).
- No podes la grama húmeda.
- Tenga cuidado cuando recorte en pendientes.
- Use la longitud apropiada de la línea. El uso de una línea demasiado larga para la unidad, ocasionará atascamientos y mal funcionamiento.

Solucion de problemas

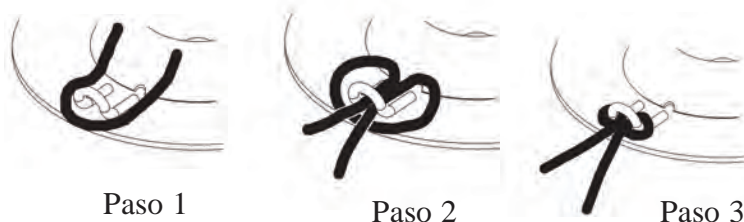
- **Si no se arranque el motor, quitar el filtro de aire para asegurarse que el filtro y el carburador estan limpios.**

Instalación de la línea recortadora

¡Importante! Use la longitud adecuada de la línea. El uso de una línea demasiado larga para la unidad, ocasionará atascamientos y mal funcionamiento.

De 5 HP o más usan una cuerda de 45,7 cm

Compre la línea pre cortada P3618



- Doble con holgura la línea cortadora a la mitad.
- (1) Coloque el lazo de la línea contra la parte externa del lazo en la cabeza cortadora.
- (2) Pase los extremos alrededor y a través del lazo y sobre el lazo de la línea recortadora.
- (3) Hale los extremos para apretar el lazo.

Funcionamiento de la Trim-Max

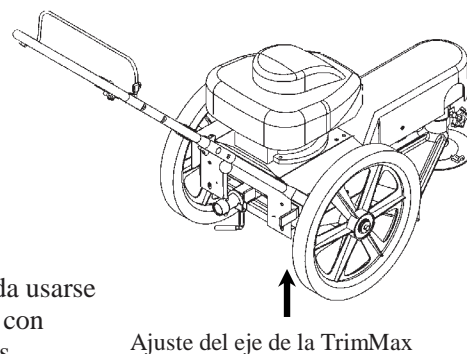
La orilladora TrimMax está diseñada para usarse también como cortasetos y para desplazarse de izquierda a derecha para facilitar un recorte más preciso.

Recortes en bordes/sesgados

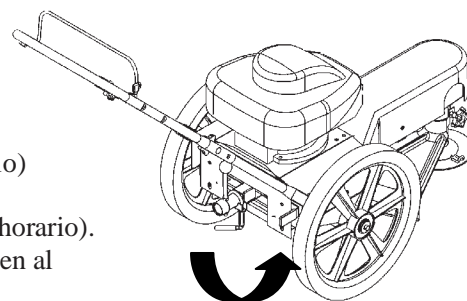
El disco recortador puede inclinarse de horizontal a vertical de forma tal que pueda usarse como un cortasetos. La cabeza también se puede inclinar levemente para recortar con precisión. Esto puede ser muy útil para hacer recortes en fundaciones sin dañar las paredes.

Para inclinar:

- Pare la unidad.
- Asegúrese de que la unidad esté en posición hacia delante y recta. (Vea el funcionamiento con desplazamiento)
- Afloje la palanca de seguridad de inclinación de la orilladora. (En sentido horario)
- Incline la cabeza a la posición deseada.
- Apriete la palanca de seguridad de inclinación de la orilladora. (En sentido anti horario).
- Ajuste la pantalla inferior de la orilladora, para evitar que los fragmentos alcancen al operador.



Ajuste del eje de la TrimMax



Ajuste de la inclinación de la Trim-Max

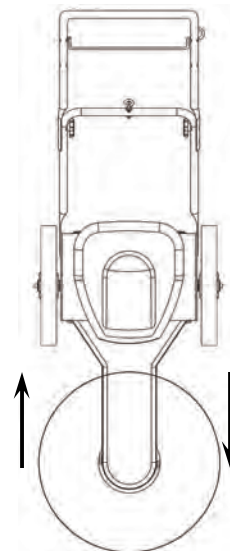
Recorte con desplazamiento.

La cabeza de la orilladora se puede desplazar hacia izquierda o derecha, para permitir el recorte debajo de los arbustos, etc.

Para desplazar:

- Pare la unidad.
- Levante la palanca de desplazamiento.
- Empuje o hale los mangos para obtener el desplazamiento deseado.
- Libere la palanca de desplazamiento. Asegúrese de que la cabeza haya trabado en su posición.
- Ajuste la pantalla inferior de la orilladora para evitar que los fragmentos se regresen hacia el operador.

¡Importante! Observe la dirección de los fragmentos cuando desplace la cabeza. Se recomienda que el desplazamiento del recorte se haga hacia la izquierda.



Dirección de los desechos

Mantenimiento de la orilladora

- Asegúrese de que la orilladora esté en buenas condiciones de trabajo, teniendo en mente las siguientes indicaciones cada vez que use su orilladora.
- Mantenga la orilladora en buenas condiciones de funcionamiento y conserve todos los protectores y pantallas en su lugar. NO opere esta orilladora si falta alguna de las pantallas o protectores.
- Revise que todos los sujetadores estén adaptados para mantener el equipo en una disposición segura de trabajo. Haga los ajustes que sean necesarios.
- A fin de reducir los peligros de incendio, mantenga el motor libre de grama, hojas o de grasa excesiva.
- NO funcione la orilladora con un silenciador dañado o faltante.
- NO intervenga el sistema de escape; esto podría causar un peligroso incendio.
- NO funcione el motor si falta el purificador de aire o la cubierta colocada sobre la toma de aire del carburador. La remoción de estas piezas podría crear un incendio peligroso.
- Antes de limpiar, hacer ajustes o reparaciones a la orilladora, PARE el motor, desconecte el cable de la bujía y deje que el motor se enfríe.
- Manipule la gasolina con cuidado. NO fume o use gasolina cerca de llamas abiertas. Utilice sólo contenedores de gasolina aprobados.
- Nunca añada combustible o arranque la orilladora en áreas poco ventiladas, tales como garajes o edificios de servicios.
- Siempre vuelva a colocar la tapa al tanque de combustible. Asegúrese de limpiar cualquier gasolina derramada.
- No cambie los ajustes del gobernador del motor o le dé más velocidad al motor; se pueden originar lesiones o daños graves.
- Nunca almacene la orilladora, con gasolina en el tanque, dentro de un edificio donde los gases puedan alcanzar una llama abierta o chispas.
- Siempre permita que el motor se enfríe antes de almacenarlo.



NUNCA AÑADA GASOLINA A UN MOTOR CALIENTE – PERMITA QUE EL MOTOR SE ENFRÍE ANTES DE AÑADIRLE GASOLINA



ADVERTENCIA - SIEMPRE PARE EL MOTOR Y DESCONECTE EL CABLE DE LA BUJÍA ANTES DE EFECTUAR CUALQUIER AJUSTE O SERVICIO

Motor

- Refiérase al manual de servicio del motor, que se suministró con esta unidad.

Correa

- Ocasionalmente revise el desgaste de la correa. Una correa desgastada debe reemplazarse.

Ajuste de la correa

- La TRIM-N-MOW tiene un tensor de correa automático y no necesita ajustes posteriores
- La TRIM-N-MOW tiene un tensor de correa automático, que se ajusta automáticamente cuando la cabeza se inclina. Si usted no inclina con regularidad la cabeza de la orilladora, se recomienda que afloje la cabeza dos veces en el año. (Vea el cortasetos)

Cambio de la correa

- Quite la cubierta frontal de la correa.
- Empuje la cabeza de la orilladora hacia atrás de la unidad, comprima el resorte tensor.
- Quite la correa vieja.
- Instale la correa nueva pasando primero la correa debajo del motor y alrededor de la polea del motor.
- Empuje la cabeza de la orilladora hacia atrás de la unidad, comprimiendo el resorte tensor.
- Instale la correa sobre la polea frontal.
- Libere la cabeza de la orilladora. Asegúrese de que la correa esté correctamente instalada en la corredera de las poleas del motor y frontal. Vuelva a instalar la cubierta frontal de la correa.

Trim-N-Mow

(estándar)

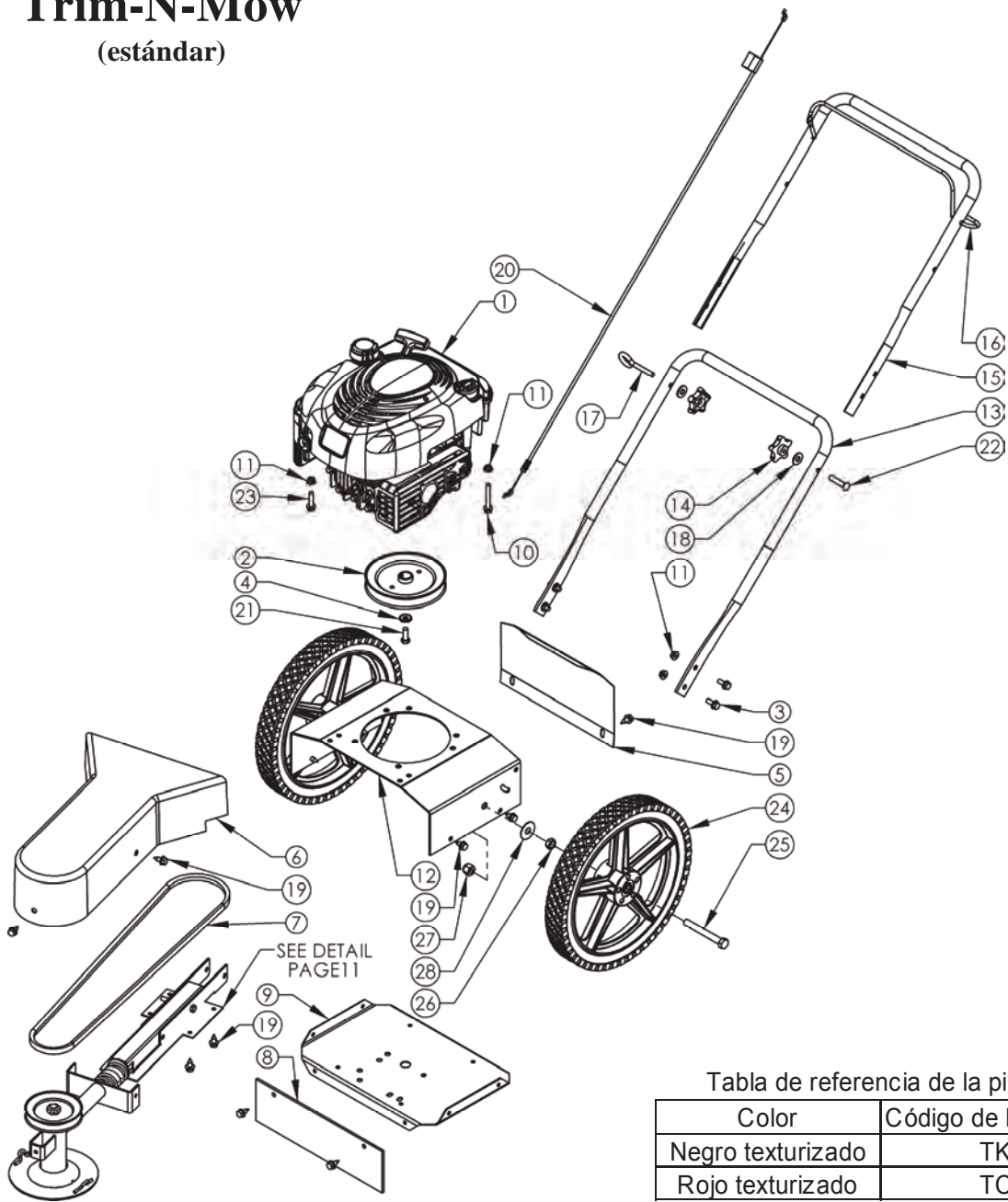


Tabla de referencia de la pintura

Color	Código de la pintura
Negro texturizado	TK
Rojo texturizado	TC

Art.	Descripción	Pieza No.
1	Motor Briggs&Stratton	N/D
2	Polea&arandela de la cortadora	2063
3	Perno con brida dentada de 5/16-18 x 3/4	NB596
4	Arandela Bellville SP	NB607
5	Cubierta posterior	2026
6	Guarda correa	2019
7	Correa	2113
8	Pantalla de goma	2027
9	Base inferior del motor	2006
10	Perno con brida de 5/16-18 x 1/4	NB253
11	Tuerca con brida dentada 5/16-18	NB170
12	Base superior del motor	2005
13	Mango inferior	10399TK
14	Botón plástico negro	2030
15	Mango superior	10578TK

Art. No.	Descripción	Pieza No.
16	Varilla accionada por el operador	10397
17	3/8-16 X 2 Tornillo	NB204
18	Arandela	NB275
19	5/16-18 x 3/4 Tornillo	26X249
20	Cable accionado por el operador	2034B
21	Locktite para perno de motor 3/8-24 x 1	NB238N
22	Perno cabeza de hongo de 5/16-18 x 2	NB587
23	Perno con brida de 5/16-18 x 2 1/4	NB622
24	Rueda de 35,5 cm	2002K
25	1/2-13 X 4 Tornillo	NB132
26	Tuerca 1/2-13 ZY Gr 2	NB118
27	Tuerca con Nyloc 1/2-13	NB281
28	Arandela .531IDX1 1/2ODX.062(TR150W

Ensamblaje de la cabeza cortadora para la Trim-N-Mow

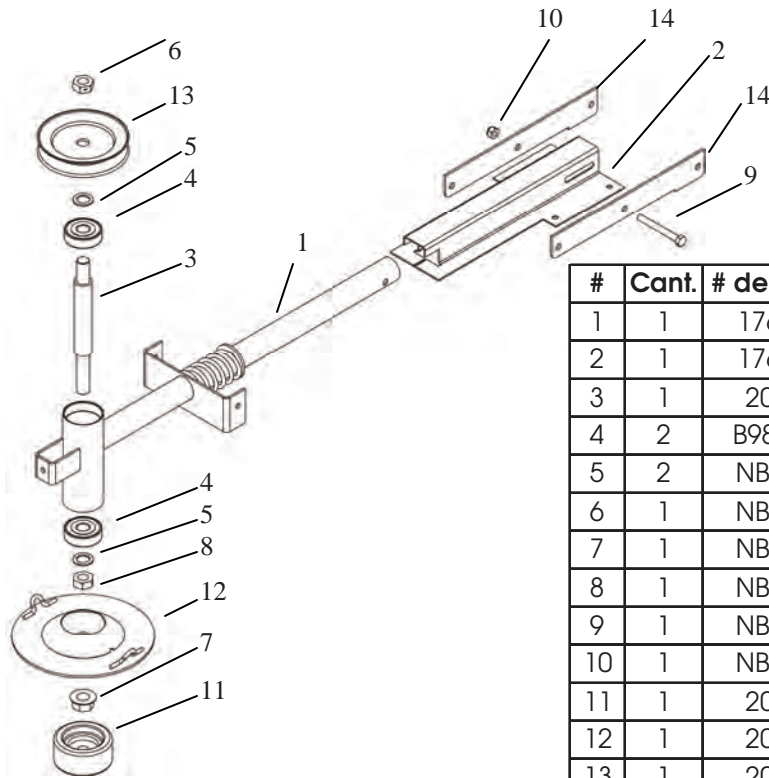


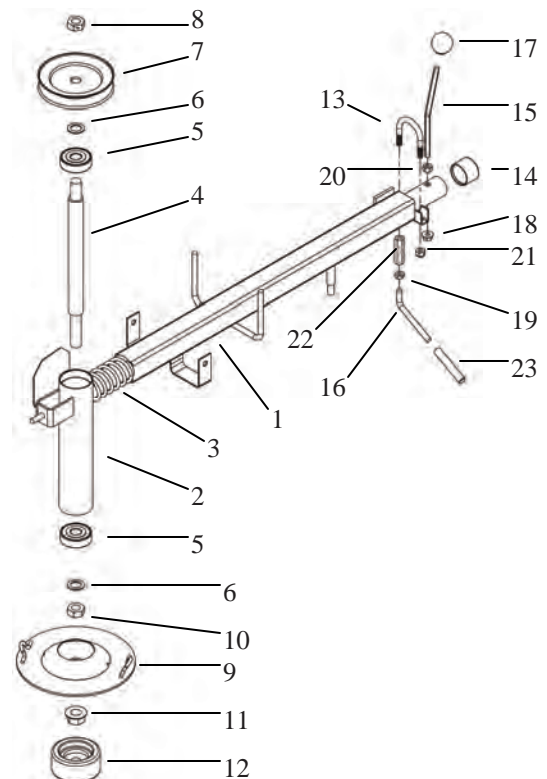
Tabla de referencia de la pintura

Color	Código de la pintura
Negro texturizado	TK
Rojo texturizado	TC

#	Cant.	# de Parte	Descripción
1	1	17665	Estructura de la cabeza
2	1	17651	Estructura deslizante de la orilladora
3	1	2024	Eje giratorio
4	2	B985/8	Cojinete de pala
5	2	NB149	Arandela de 5/8 ID x 1 OD 14 GA
6	1	NB595	Contratuercas de dos vías de 5/8-11
7	1	NB598	Brida de la tuerca dentada, 5/8-11
8	1	NB586	Tuerca hexagonal jam 5/8-11
9	1	NB106	Perno 5/16-18 x 2 3/4
10	1	NB181	Tuerca nyloc 5/16-18
11	1	2035	Rodillo roscado
12	1	2021	Estructura del disco giratorio del recortador
13	1	2049	Polea de pala- 4.5"
14	2	15748	Arandela cuadrada

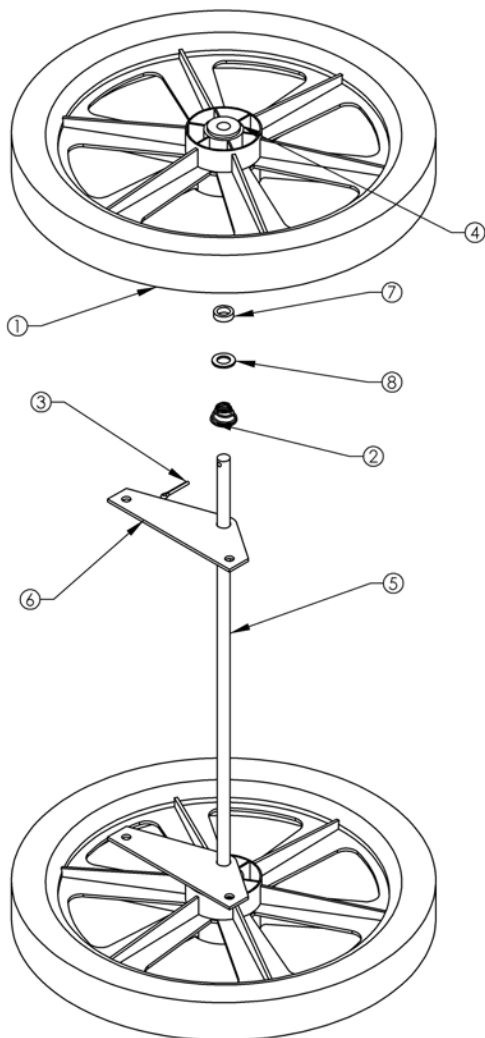
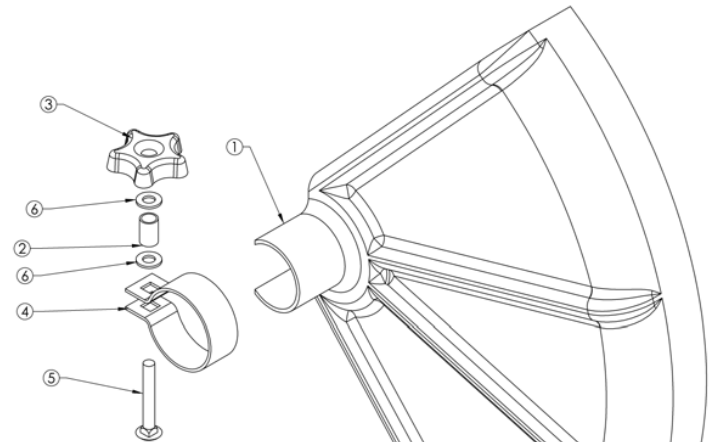
Ensamblaje de la cabeza cortadora para el Trim-Max

#	Cant.	# de Parte	Descripción
1	1	2107	Estructura deslizante de la orilladora
2	1	2110	Estructura de la cabeza
3	1	2033	Resorte de compresión
4	1	2124	Eje giratorio
5	2	B985/8	Cojinete de pala
6	2	NB149	Arandela de 5/8 ID x 1 OD 14 GA
7	1	2049	Polea de pala- 4.5"
8	1	NB595	Contratuercas de dos vías de 5/8-11
9	1	2021	Estructura del disco giratorio del recortador
10	1	NB586	Tuerca hexagonal jam 5/8-11
11	1	NB598	Brida de la tuerca dentada, 5/8-11
12	1	2035	Rodillo roscado
13	1	2075	Perno abrazadera en U para inclinación
14	1	2068	Tapa de plástico 1-1/4"
15	1	2103A	Perno prisionero
16	1	2083	Tirador doblado
17	1	B19BLACK	Perilla
18	1	NB170	Brida de la tuerca dentada, 5/16-18
19	1	NB173	Tuerca hexagonal jam 5/16-18
20	1	NB210Z	Tuerca - 5/16-18 Grado 2
21	1	NB181	Tuerca nyloc 5/16-18
22	1	NB594	Tuerca de enganche 5/16 - 18 x 1 3/4
23	1	2078	Agarre de tirador para inclinación, amarillo



Piezas para el servicio 2076 Piezas por averías

Art. No.	Descripción	Pieza No.
1	Pantalla	2042
2	Espaciador	2084
3	Botón	2030
4	Abrazadera	2043
5	Perno	NB110
6	Arandela	NB275



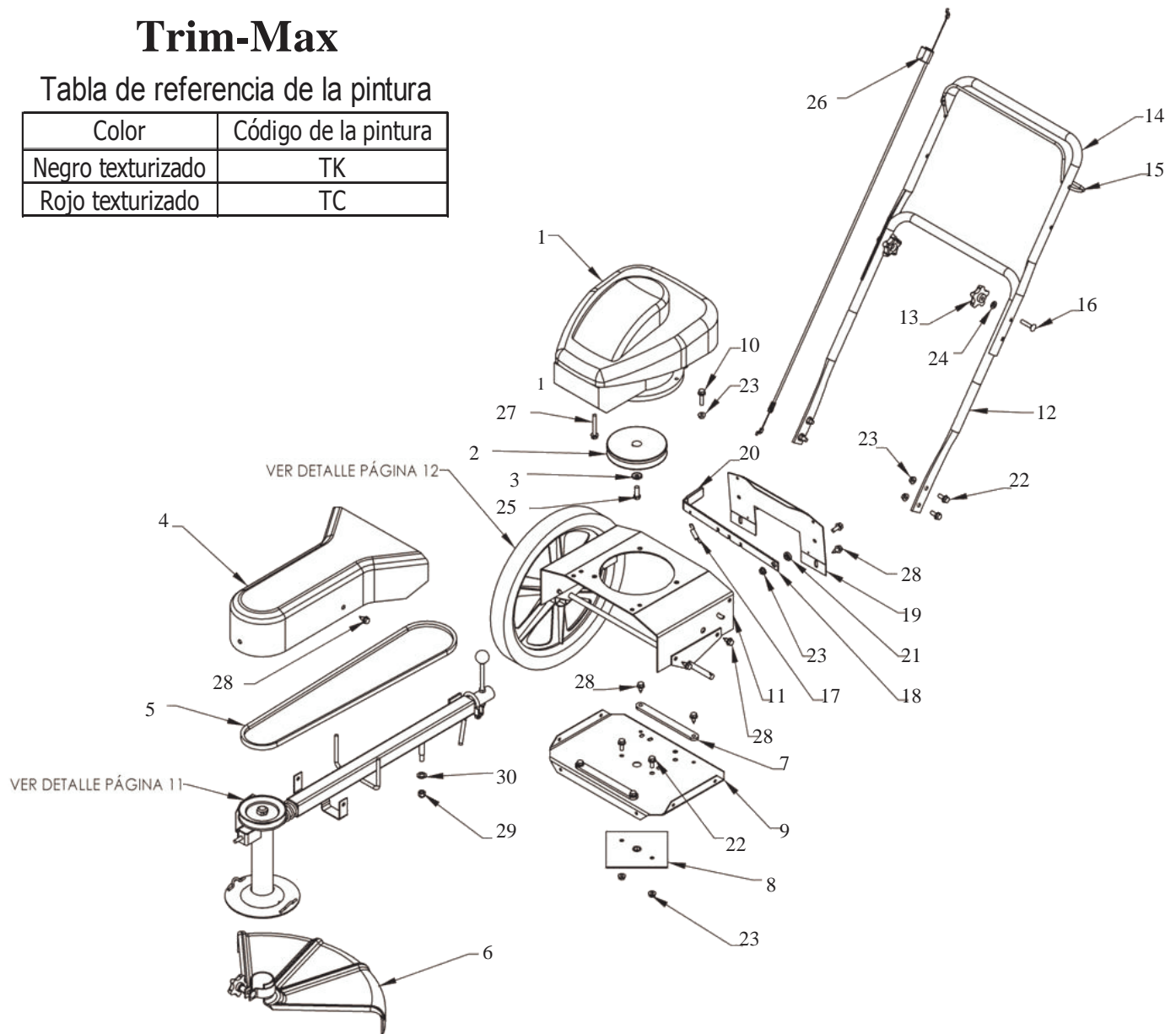
Estructura del eje Trim-Max

Art. No.	Descripción	Pieza No.
1	Rueda de 40,6 cm	2003K
2	Resorte cónico	10004
3	Pasador de chaveta	NB126
4	Cojinete de rueda	18818
5	Eje	14416
6	Placa del eje	2106
7	Primavera de retención	T2PB
8	Arandela	NB177

Trim-Max

Tabla de referencia de la pintura

Color	Código de la pintura
Negro texturizado	TK
Rojo texturizado	TC



Art. No.	Descripción	Pieza No.	Art. No.	Descripción	Pieza No.
1	Motor Briggs & Stratton	N/A	16	Perno cabeza de hongo 5/16-18 x1 1/2	NB587
2	Polea del motor- 15,2 cm	2063	17	Resorte	2069
3	Arandela Bellville SP	NB607	18	Bloqueador del pivote	2040
4	Guarda correa	2119	19	Cubierta posterior	2126
5	Correa	2113	20	Asidero del mango, pivote	2077
6	Sub ensamblaje de la pantalla inferior	2076	21	Espaciador	B99S
7	Banda de frotamiento	2116	22	Perno c/brida dentada de 5/16-18 x 3/4	NB596
8	Estructura de la placa para el pivote	10886TK	23	Tuerca con brida dentada 5/16-18	NB170
9	Base inferior del motor	2006	24	Arandela	NB275
10	Perno con brida de 5/16-18 x 1¼	NB253	25	Loctite para perno de motor 3/8-24 x 1	NB238N
11	Base superior del motor	2005	26	Cable accionado por el operador	2034B
12	Mango inferior	10399TK	27	Perno c/brida dentada de 5/16-18 x 2	NB622
13	Botón plástico negro	2030	28	5/16 -18 x 1/2 Tornillo	26X249
14	Mango superior	10578TK	29	3/8-16 Tuerca del nyloc	NB182
15	Varilla accionada por el operador	10397	30	1/2-14 GA. Arandela del mach	NB177



MANUAL DEL PROPIETARIO

MODEL NO.

STARTING SERIAL # L212-027001

ST60022
ST60022-CA
ST65022DLX
ST65022DLX-CA
ST60022Q
ST60022Q-CA8
ST65022DXQ
ST65022DXQ-CA
ST67522Q
ST67522Q-CA

Cada orilladora tiene su propio número de modelo. Cada motor tiene su propio número de modelo. El número de modelo de la orilladora se encuentra en el lado izquierdo de la base del motor. El número de modelo del motor se encuentra en la parte superior de la caja del ventilador soplador.

Todas las piezas de la orilladora listadas aquí se pueden ordenar directamente a Swisher o al distribuidor Swisher más cercano.

Todas las piezas del motor suministrado con su podadora se pueden ordenar al distribuidor del motor más cercano.

CUANDO ORDENE LAS PIEZAS, POR FAVOR
TENGA DISPONIBLE LA SIGUIENTE INFORMACIÓN:

- * PRODUCTO-ORILLADORA
- * NÚMERO DE SERIE- _____
- * NÚMERO DEL MODELO- _____
- * NÚMERO DE MODELO DEL MOTOR- _____
TIPO - _____
- * NÚMERO DE LA PIEZA CON CÓDIGO DE LA PINTURA
- * DESCRPCIÓN DE LA PIEZA

TELÉFONO - 1-800-222-8183

FAX - 1-660-747-8650

SWISHER

1602 CORPORATE DRIVE
WARRENSBURG, MO 64093

