

aerospace
climate control
electromechanical
filtration
fluid & gas handling
hydraulics
pneumatics
process control
sealing & shielding



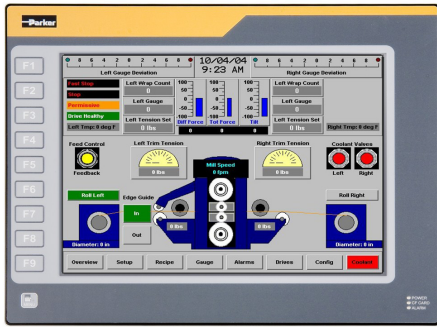
TS8000 HMI Touchscreens

Product Catalog

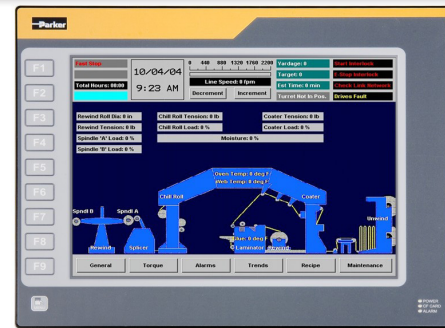
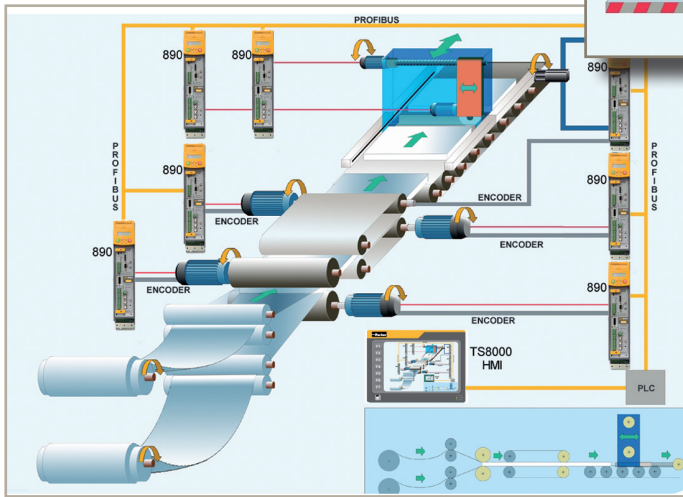
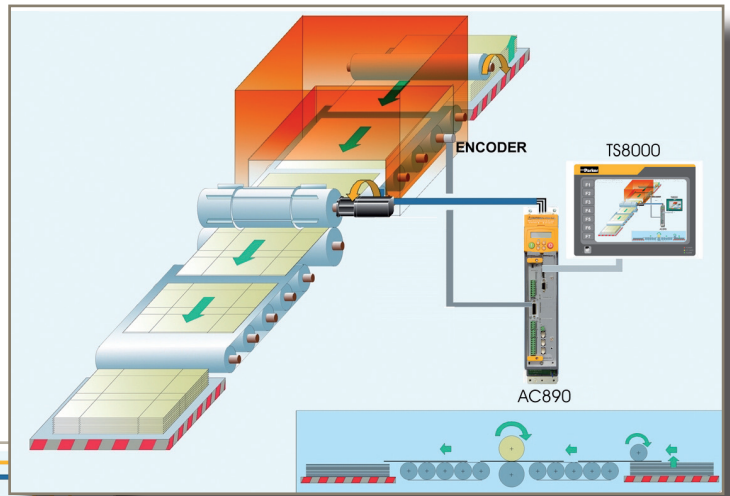


ENGINEERING YOUR SUCCESS.

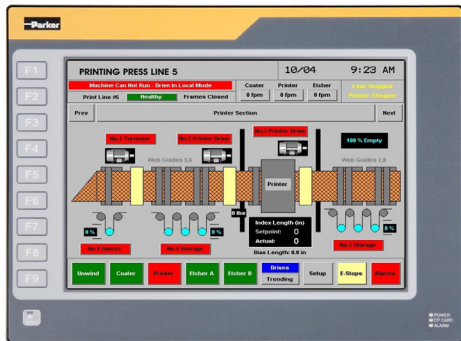
www.comoso.com



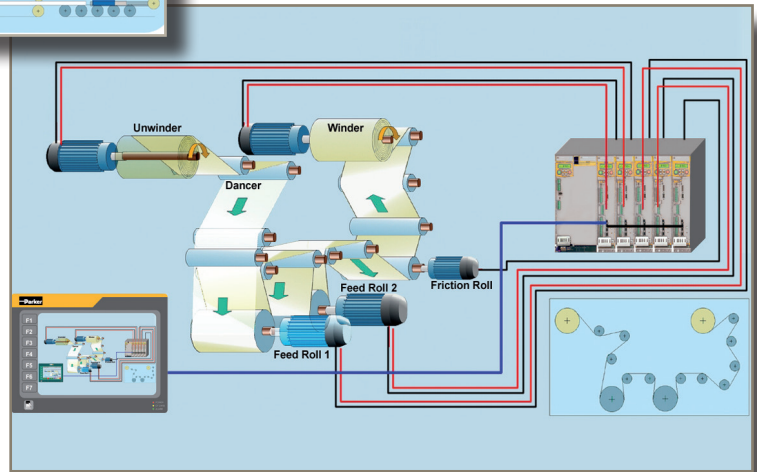
Sample Screen: Rolling Mill



Sample Screen: Laminating Line



Sample Screen: Converting Line



WARNING - USER RESPONSIBILITY

FAILURE OR IMPROPER SELECTION OR IMPROPER USE OF THE PRODUCTS DESCRIBED HEREIN OR RELATED ITEMS CAN CAUSE DEATH, PERSONAL INJURY AND PROPERTY DAMAGE. This document and other information from Parker Hannifin Corporation, its subsidiaries and authorized distributors provide product or system options for further investigation by users having technical expertise. The user, through its own analysis and testing, is solely responsible for making the final selection of the system and components and assuring that all performance, endurance, maintenance, safety and warning requirements of the application are met. The user must analyze all aspects of the application, follow applicable industry standards, and follow the information concerning the product in the current product catalog and in any other materials provided from Parker or its subsidiaries or authorized distributors.

To the extent that Parker or its subsidiaries or authorized distributors provide component or system options based upon data or specifications provided by the user, the user is responsible for determining that such data and specifications are suitable and sufficient for all applications and reasonably foreseeable uses of the components or systems.

OFFER OF SALE

The items described in this document are hereby offered for sale by Parker Hannifin Corporation, its subsidiaries or its authorized distributors. This offer and its acceptance by the provisions stated in the detailed 'Offer of Sale' which is available upon request.



HMI Touchscreen

TS8000 Series



Description

TS8000 is a high performance web-enabled HMI touchscreen range with powerful features that would normally only be found in PC-based displays.

The TS8000 is able to communicate with many different pieces of hardware through its 10/100Base-T Ethernet port.

Furthermore a USB programming port allows programs to be downloaded, or access to trending and data logging, while data can be collected and stored on a standard CompactFlash card, freeing up internal memory.

Unlike similar competitive units, programming software for the TS8000 is a free download! DSI8000 software works with all TS8000 units, and features user friendly drag and drop data mapping. It contains a powerful set of icon-based configuration, display, control, and data logging tools uniquely designed to take full advantage of the TS8000 series architecture.

Features

- Multi-lingual graphical interface**
- NEMA 4X protection**
- Five screen sizes**
- Built-in symbol library of common objects**
- Built-in web server/Virtual Panel**
- Built-in “C-based” script language**
- CompactFlash support**
- Integrated automatic multiple protocol conversion**
- Five communications ports**
- Free DSI8000 programming software**

Available Models



TS8003

TS8006

TS8008

TS8010

TS8015

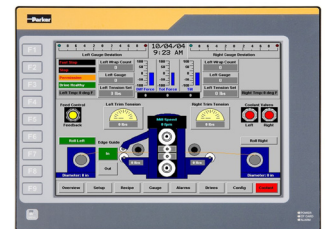
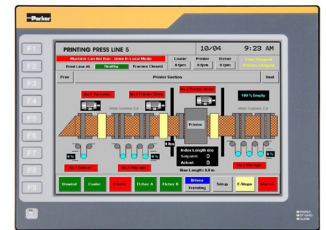
HMI Touchscreen

TS8000 Series



Technical specifications

	TS8003	TS8006	TS8008	TS8010	TS8015
Power Required	24VDC ±20% - Class 2 or SELV rated Power input via removable terminal block				
Max current required	9.5W	14W	24W	33W	67W
Operating Temperature	0-50°C				
Storage Temperature	-20-70°C				
Relative Humidity	80% non-condensing				
Altitude	2000 m				
Enclosure	IP66/NEMA 4X used w/gasket provided				
Programmable Keys	8	5	7	8	10
Navigation Keys	5	N/A	N/A	N/A	N/A
Numeric Keys	12	N/A	N/A	N/A	N/A
Dedicated Keys	4	N/A	N/A	N/A	N/A
Onboard Memory	4Mb	4Mb	8Mb	8Mb	32Mb
Memory Card	CompactFlash type II slot for type I and II CF cards				
Battery (for backup)	Lithium CR2025				
Touchscreen	Resistive Analog type				
Communication Ports	Programming: USB 1.1 - connector type B, RS232 - via RJ12 Communication: RS232 - via RJ12, RS485 - via RJ45, Ethernet 10/100 Base T - via RJ45				
Programming Software	DSI8000 (Included)				



Display Specifications

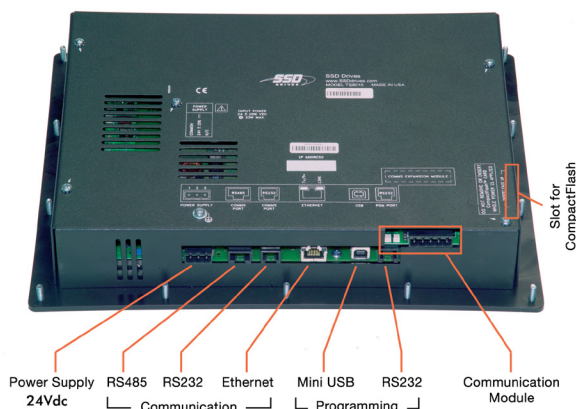
Part Number	Screen	Colors	Pixels
TS8003/00/00	3.2"/FSTN	2	128 x 64
TS8006/00/00	5.7"/TFT	256 QVGA	320 x 240
TS8008/00/02	7.7"/TFT	256 VGA	640 x 480
TS8010/00/02	10.4"/TFT		
TS8015/00/00	15"/TFT	32,000 XGA	1024 x 768

International Standards

The TS8000 series complies with many international standards for protection and immunity including:

- IEC1010-1, - EN61010-1
- EN61326
- EN61000-4-2 Criterion A 4kV contact xchrg, 8kV air xchrg
- EN61000-4-6 Criterion B 3V/rms
- EN61000-4-3 Criterion B 10V/m
- EN61000-4-4 Criterion B 2kV power and signal
- EN61000-4-5 Criterion A 1kV L-L, 2kV L&N-E power
- EN55011 Class A

CE Marked



HMI Touchscreen

TS8000 Series



HMI Features

- Pre-Engineered Templates
- Built-in Web Server with live tags
- Library with over 4000 symbols
- Support for BMP, JPG, WMF graphic files
- Database functionality (CSV format)
- Graphical Trending
- Alarm Logs - web accessible
- Machine Drawings

Multilingual Interface

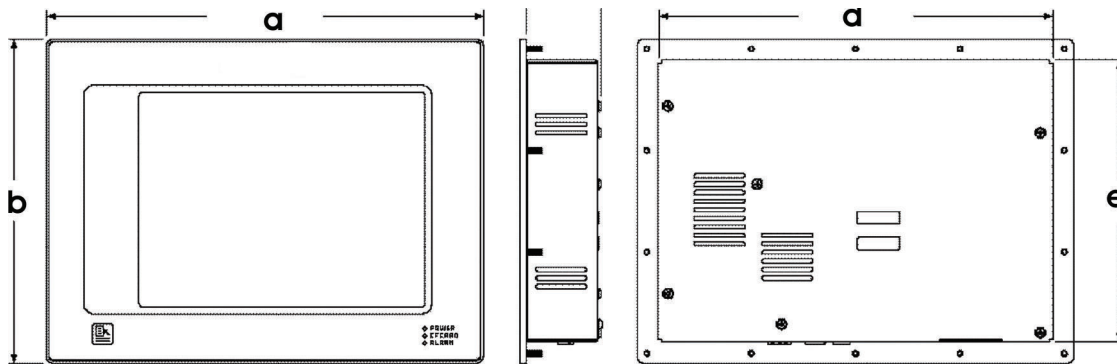
Programming and Display in:	
Italian	German
English	Spanish
French	Dutch
Thai	

Unicode* Support for:	
Japanese	Chinese (traditional)
Korean	Chinese (simplified)
Other languages available	

*Unicode support requires Microsoft Windows® language packs to be installed

Dimensions (in/mm) and Weights

Part Number	a	b	c	d	e	Weight (lb/kg)
TS8003/00/00	7.45/189.2	5.85/148.6	2.1/52	6.04/153.4	4.44/112.8	1.96/0.89
TS8006/00/00	8.83/224.3	7.08/179.8	2.3/58.4	7.42/188.5	5.67/144	3.0/1.36
TS8008/00/02	10.32/262	8.18/207.8	2.2/56	8.91/226.3	6.77/172	3.84/1.74
TS8010/00/02	12.83/325.8	9.5/241.3	2.2/56	11.55/293.3	8.27/210.1	5.53/2.51
TS8015/00/00	16.0/406.4	13.0/330.2	2.8/71.5	14.59/370.6	11.59/294.4	11.41/5.17



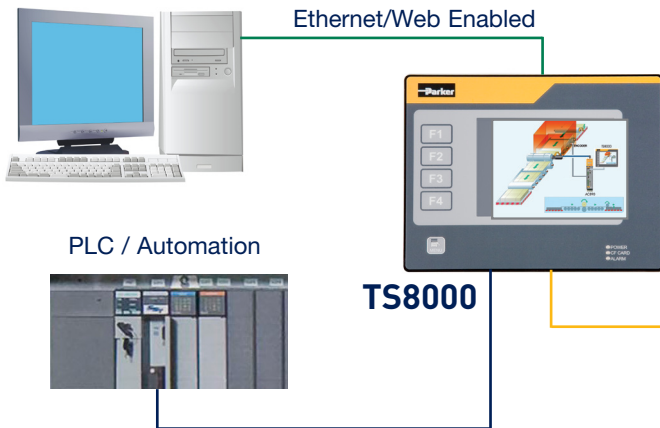
Options

For harsh environments where abrasion to the screen surface is a concern, we offer protective clear film overlays for the TS8000 screen. Available for all five sizes of TS8000, the overlays are packaged in bundles of 10. By use of a pre-applied low-tack adhesive, application and removal of the overlay is a snap!

Part Number	Description
8000/OL/03	Protective overlay sheets for TS8003
8000/OL/06	Protective overlay sheets for TS8006
8000/OL/08	Protective overlay sheets for TS8008
8000/OL/10	Protective overlay sheets for TS8010
8000/OL/15	Protective overlay sheets for TS8015

HMI Touchscreen

TS8000 Series



The TS8000 range of Human Machine Interfaces is compatible with a wide range of Programmable Logic Controllers, Process and Machine Automation Controllers including :

- Allen-Bradley
- Siemens
- Telemecanique
- Mitsubishi
- Omron
- Idec
- IMO
- Festo
- General Electric
- Moeller
- Matsushita
- Koyo

637F, 638 Series

- AC Brushless Servo drive



AC650/AC650V/AC650S Series

- V/F Control
- Sensorless Vector Control
- Sensorless PMAC Motor Control



AC690+ Integrator Series

- V/F Control
- Sensorless Vector Control
- Closed-Loop Vector Control
- 12/18 Pulse option
- 4 Quadrant AFE Capability



AC890/AC890PX Series

- V/F Control
- Sensorless Vector Control
- Closed-Loop Vector Control
- PMAC Servo Control
- 4 Quadrant AFE Capability



DC590+ Integrator Series 2

- 2/4 Quadrant DC Drive
- Chassis or DRV

TS8000 is compatible with all drives shown above

Custom Branding

For a customized appearance on your machinery, Parker can provide the TS8000 with your company logo or graphics. Please contact your local territory manager or authorized distributor for further details. Minimum quantities and restrictions apply.



Communication Cards

TS8000 Series



Description

In addition to the standard on-board communications provided with the TS8000 (RS232, RS485, and Ethernet), these communication card options allow even more connectivity and integration of the TS8000 into many popular fieldbus communication networks. Integrated protocol conversion also allows the TS8000 to bridge between devices that otherwise could not communicate directly with each other.

Features

CANopen Communications Interface

Part Number: 8000/CB/00/00

Supported Protocols	CANopen SDO Master
Communication Speed	Selectable by software up to 1 Mbits/s
Communication	With Drive System Explorer software using RTNX protocol
Suitable for drives	AC890 version 3.2+

DeviceNet Communications Interface

Part Number: 8000/DN/00/00

Supported Protocols	DeviceNet – Slave Group 2 only
Communication Speed	Selectable by software up to 500 kbits/s

Firewire Communications Interface

Part Number: 8000/FA/00/00

This card allows data exchange between the TS8000 and an AC890 fitted with an 8903/FA/00 Interface

Communication Ports	Port A : IEEE 1394A Port B : IEEE 1394B
---------------------	--

Note : The TS8000 must use a Class 2 or SELV rated power supply

Link Communications Interface

Part Number: 8000/LK/00/00

Supported Protocols	LINK
Communication Speed	2.7Mbits/s

Allows data exchange between TS8000 and SSD LINK fiber optic network

Profibus-DP Communications Interface

Part Number: 8000/PB/00/00

Supported Protocols	EN50 170, 1
Communication Speed	Up to 12 Mbits/s

Parker Worldwide

AE – UAE, Dubai

Tel: +971 4 8127100
parker.me@parker.com

AR – Argentina, Buenos Aires

Tel: +54 3327 44 4129

AT – Austria, Wiener Neustadt

Tel: +43 (0)2622 23501-0
parker.austria@parker.com

AT – Eastern Europe, Wiener Neustadt

Tel: +43 (0)2622 23501 900
parker.easteurope@parker.com

AU – Australia, Castle Hill

Tel: +61 (0)2-9634 7777

AZ – Azerbaijan, Baku

Tel: +994 50 2233 458
parker.azerbaijan@parker.com

BE/LU – Belgium, Nivelles

Tel: +32 (0)67 280 900
parker.belgium@parker.com

BR – Brazil, Cachoeirinha RS

Tel: +55 51 3470 9144

BY – Belarus, Minsk

Tel: +375 17 209 9399
parker.belarus@parker.com

CA – Canada, Milton, Ontario

Tel: +1 905 693 3000

CH – Switzerland, Etoy

Tel: +41 (0)21 821 87 00
parker.switzerland@parker.com

CL – Chile, Santiago

Tel: +56 2 623 1216

CN – China, Shanghai

Tel: +86 21 2899 5000

CZ – Czech Republic, Klecany

Tel: +420 284 083 111
parker.czechrepublic@parker.com

DE – Germany, Kaarst

Tel: +49 (0)2131 4016 0
parker.germany@parker.com

DK – Denmark, Ballerup

Tel: +45 43 56 04 00
parker.denmark@parker.com

ES – Spain, Madrid

Tel: +34 902 330 001
parker.spain@parker.com

FI – Finland, Vantaa

Tel: +358 (0)20 753 2500
parker.finland@parker.com

FR – France, Contamine s/Arve

Tel: +33 (0)4 50 25 80 25
parker.france@parker.com

GR – Greece, Athens

Tel: +30 210 933 6450
parker.greece@parker.com

HK – Hong Kong

Tel: +852 2428 8008

HU – Hungary, Budapest

Tel: +36 1 220 4155
parker.hungary@parker.com

IE – Ireland, Dublin

Tel: +353 (0)1 466 6370
parker.ireland@parker.com

IN – India, Mumbai

Tel: +91 22 6513 7081-85

IT – Italy, Corsico (MI)

Tel: +39 02 45 19 21
parker.italy@parker.com

JP – Japan, Tokyo

Tel: +81 (0)3 6408 3901

KR – South Korea, Seoul

Tel: +82 2 559 0400

KZ – Kazakhstan, Almaty

Tel: +7 7272 505 800
parker.easteurope@parker.com

LV – Latvia, Riga

Tel: +371 6 745 2601
parker.latvia@parker.com

MX – Mexico, Apodaca

Tel: +52 81 8156 6000

MY – Malaysia, Shah Alam

Tel: +60 3 7849 0800

NL – The Netherlands, Oldenzaal

Tel: +31 (0)541 585 000
parker.nl@parker.com

NO – Norway, Ski

Tel: +47 64 91 10 00
parker.norway@parker.com

NZ – New Zealand, Mt Wellington

Tel: +64 9 574 1744

PL – Poland, Warsaw

Tel: +48 (0)22 573 24 00
parker.poland@parker.com

PT – Portugal, Leca da Palmeira

Tel: +351 22 999 7360
parker.portugal@parker.com

RO – Romania, Bucharest

Tel: +40 21 252 1382
parker.romania@parker.com

RU – Russia, Moscow

Tel: +7 495 645-2156
parker.russia@parker.com

SE – Sweden, Spånga

Tel: +46 (0)8 59 79 50 00
parker.sweden@parker.com

SG – Singapore

Tel: +65 6887 6300

SK – Slovakia, Banská Bystrica

Tel: +421 484 162 252
parker.slovakia@parker.com

SL – Slovenia, Novo Mesto

Tel: +386 7 337 6650
parker.slovenia@parker.com

TH – Thailand, Bangkok

Tel: +662 717 8140

TR – Turkey, Istanbul

Tel: +90 216 4997081
parker.turkey@parker.com

TW – Taiwan, Taipei

Tel: +886 2 2298 8987

UA – Ukraine, Kiev

Tel: +380 44 494 2731
parker.ukraine@parker.com

UK – United Kingdom, Warwick

Tel: +44 (0)1926 317 878
parker.uk@parker.com

US – USA, Cleveland

Tel: +1 216 896 3000

VE – Venezuela, Caracas

Tel: +58 212 238 5422

ZA – South Africa, Kempton Park

Tel: +27 (0)11 961 0700
parker.southafrica@parker.com

