

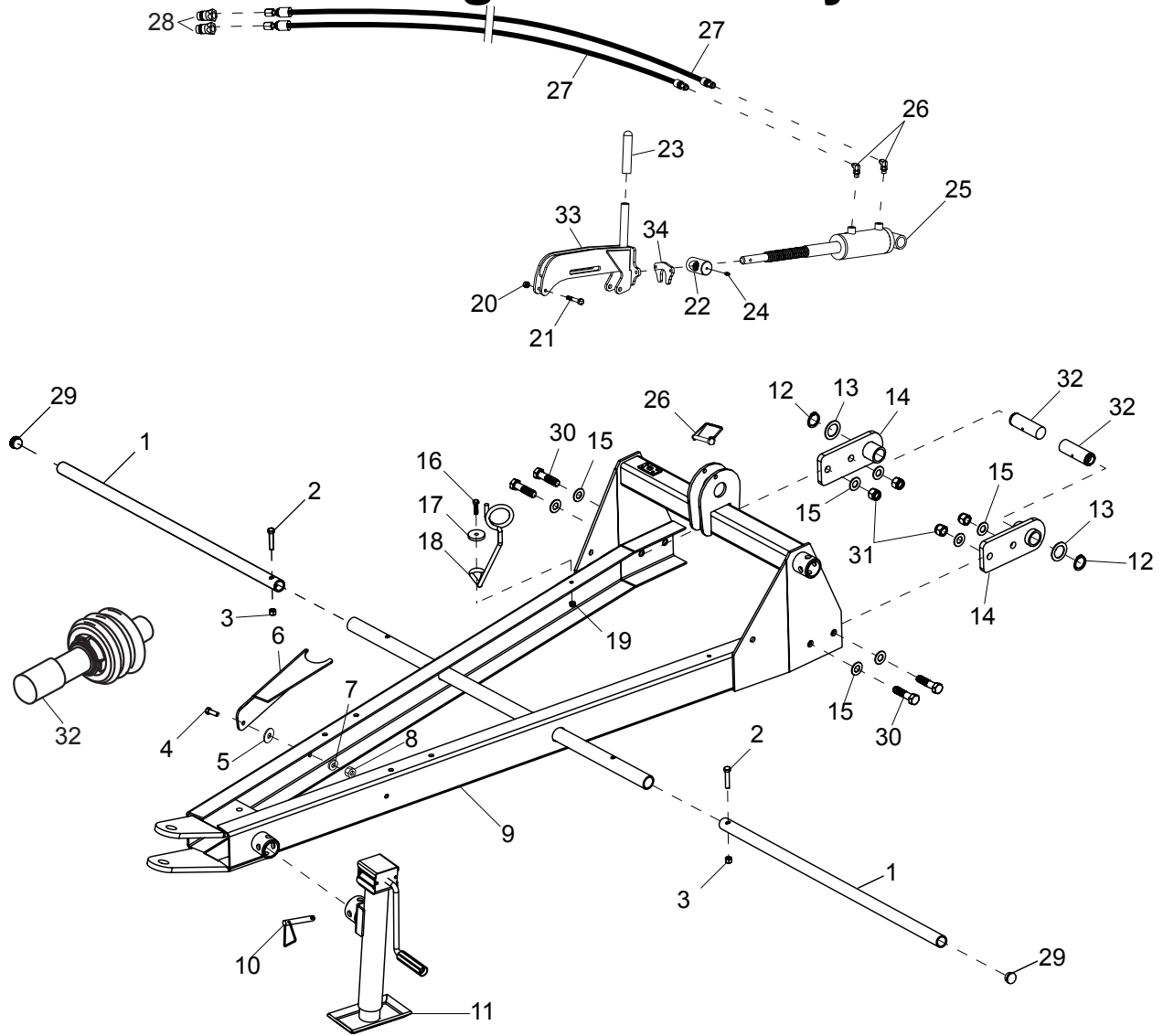


TT6201 Rotary Tedder

Illustrated Parts Breakdown

Page 1	Tongue Assembly
Page 2	Main Frame Assembly S/N -95500
Page 3	Main Assembly S/N 95500+
Page 4	Torsion Axle Assembly S/N 95500-96154
Page 5	Torsion Axle Assembly S/N 96155+
Page 6	Left Middle Wing Assembly
Page 7	Left Outer Wing
Page 8	Right Middle Wing
Page 9	Right Outer Wing
Page 10	Outer Axle Assembly S/N -95066
Page 11	Outer Axle Assembly S/N 95066+
Page 12	Input Gearbox Assembly
Page 13	Rotor Gearbox Assembly
Page 14	Tine & Tine Arm Assembly
Page 15	Hydraulics

Tongue Assembly

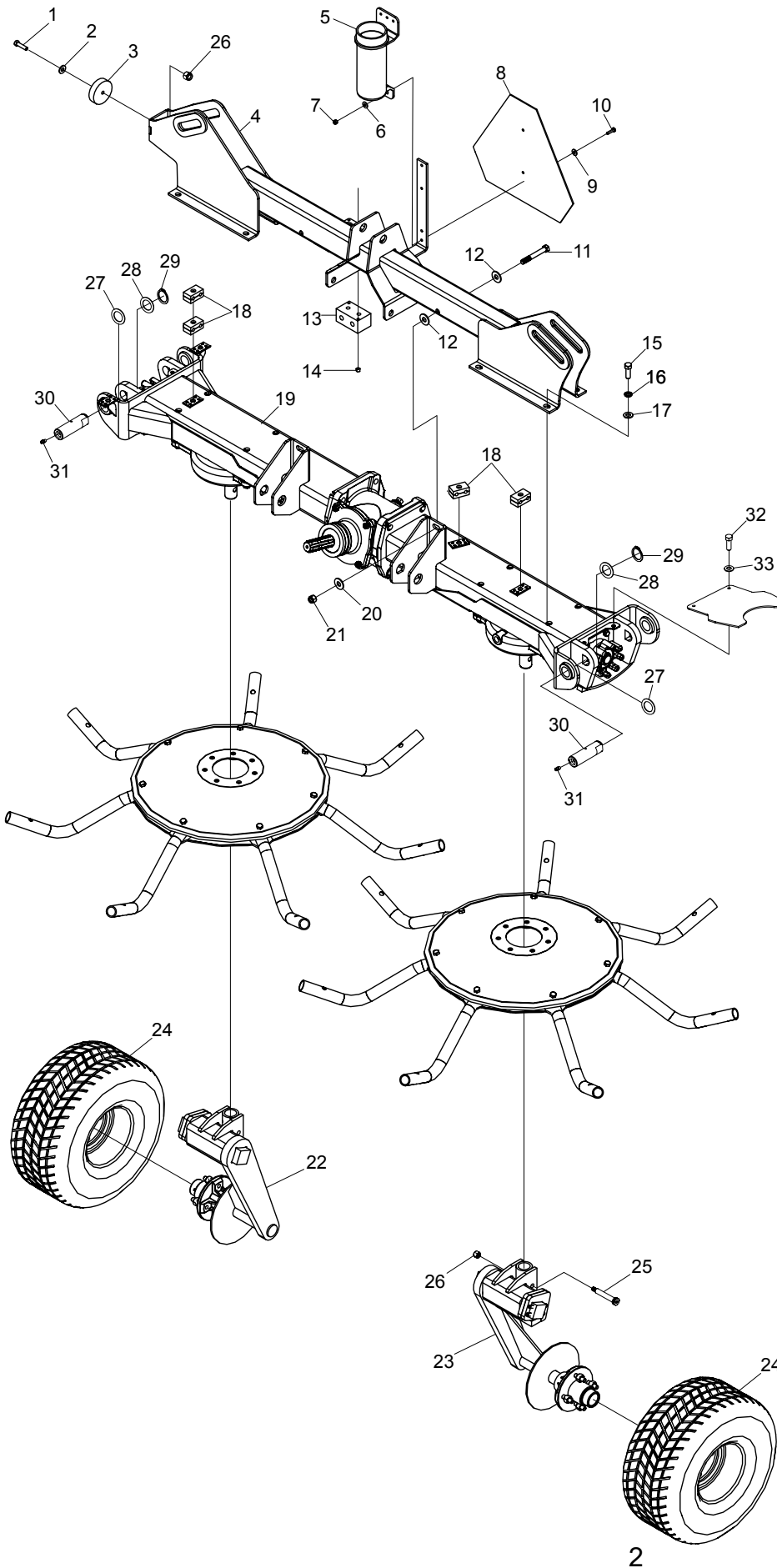


Ref#	Description	Part#
1	Front Guard	702755
2	3/8" x 2" HH Bolt	000286
3	3/8" Nylon Lock Nut	003000
4	Bolt, 3/8 x 1.25	000275
5	3/8" Fender Washer	001105
6	PTO Stand	704132
7	3/8" Lock Washer	000820
8	3/8" Nut	000915
9	Tongue Weldment	703462
10	Jack Mount Pin	500012
11	2K Side Wind Jack	903317
12	Ext Retaining Ring, 1-1/4 Zinc	702826
13	1-1/4 x 1-7/8 Bushing, 14 Ga.	500185
14	Hitch Bolting Weld Assembly	703484
15	5/8 SAE Flat Washer Zinc	001076
16	Bolt, 5/16 x 1-1/4	000230
17	Heavy Washer	502308

Ref#	Description	Part#
18	Hose Support	502288
19	Lock Nut, 5/16	002999
20	1/4-20 Nylon Lock Nut, Zinc	003001
21	1/4-20 x 1-3/4 Hex Head Bolt, Gr.5 Zinc	000187
22	Cylinder Mount, Tongue	502218
23	.750 Handle Grip, Black	900116
24	1/4-28 Spin-drive Grease Zert	400117
25	Front Tilt Cylinder w/out manifold	703604
26	90 Degree Elbow,- #4 MJ x #4 MB	700948
27	118" Hose Assembly,-(1/4" Hose)	701039
28	1/2" Male AG Coupler	290105
29	Pipe Plug	100297
30	5/8-11 x 2 Hex Head Bolt, Gr.5 Zinc	000615
31	5/8-11 Nylon Lock Nut, Gr.5 Zinc	000972
32	Complete PTO Shaft	703596
33	Locking Transport Latch Weld Assembly	703605
34	Tilt Cylinder Pad	703618

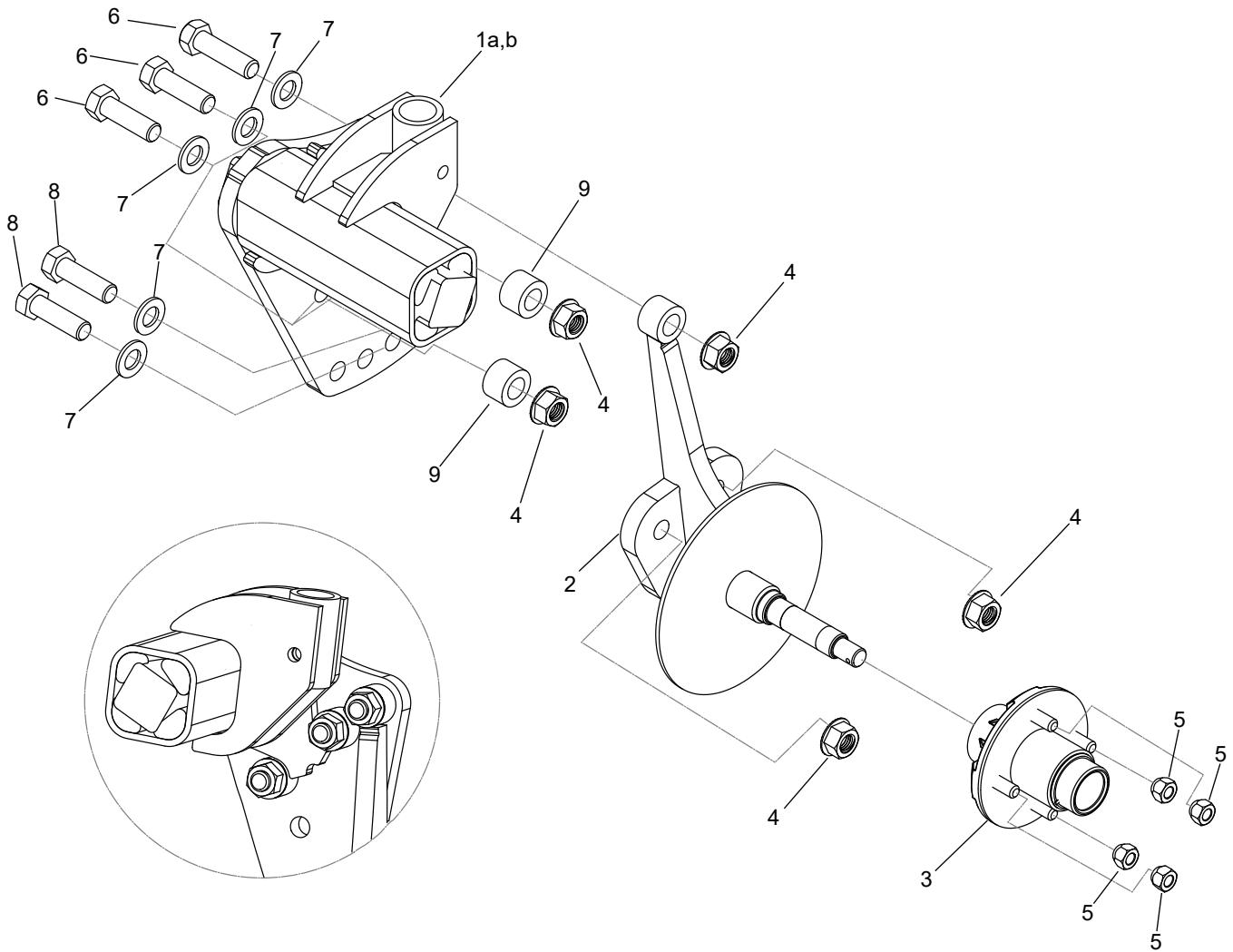
* Top or side wind jacks fit on same mounting stub

Main Assembly S/N 95500+



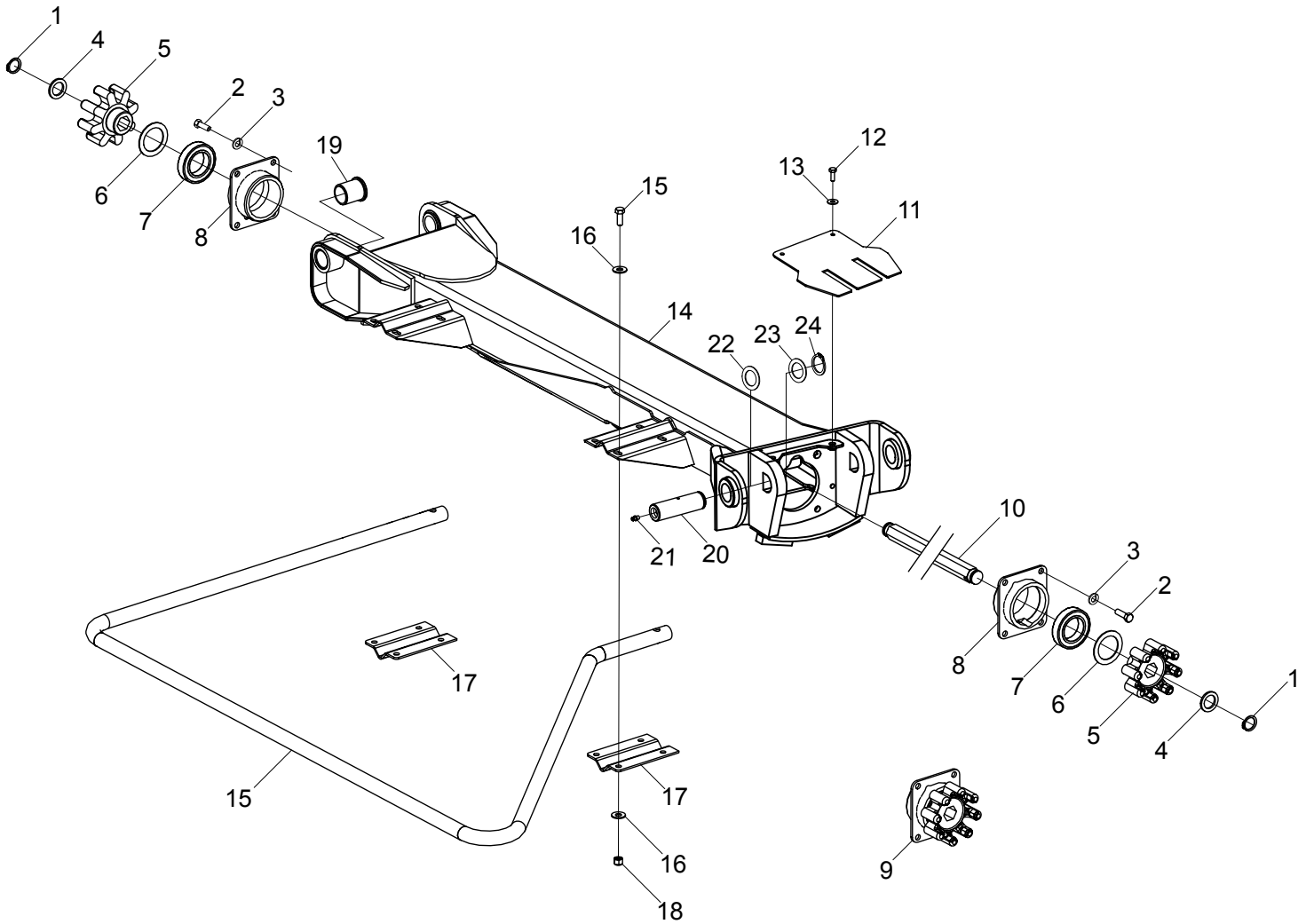
Ref#	Description	Part#
1	3/8-16 x 1.50 HH Bolt Zinc	000280
2	3/8 USS Flat Washer	001035
3	Wing Bumper	703324
4	6200 Bridge Bolted Weldment	703407
5	Ops. Manual Cylinder	503050
6	1/4 USS Flat Washer	001020
7	1/4" Nylon Lock Nut	001020
8	Fanny Flag	507166
9	1/4 USS Flat Washer	001020
10	1/4" Nylon Lock Nut	001020
11	1/2-13 x 3-3/4 Hex Head Bolt	000487
12	1/2 USS Flat Washer, Plated	001055
13	Manifold Block	703633
14	1/4-20 Nylon Lock Nut, Zinc	003001
15	1/2-13 x 1.50 HH Bolt Zinc	000435
16	1/2 Split Lock Washer	000840
17	1/2 SAE Flat Washer	001061
18	1/4" Clamp Block	510632
19	Center Drive Train Asm, 6200	703410
20	1/2 USS Flat Washer, Plated	001055
21	1/2-13 Nylon Lock Nut	000950
22	1/4"-20 x 3/4" Hex Bolt	000175
23	1/4" Flat Washer	001020
24	Tire and Wheel (two center wheels)	706017
25	1/2" x 2-3/4" Shoulder Bolt	703773
26	3/8" Nylon Locknut	003000
27	1-1/4" X 1-7/8" 18 Ga. Washer	703588
28	1-1/4" x 1-7/8" 14 Ga. Washer	500185
29	Heavy Duty Ext Retaining Ring	702826
30	Wing 1.250" D Pin	703052
31	1/4-28 Spin-drive Grease Zerk	400117

Torsion Axle Assembly S/N 96155+



Ref#	Description	Part#
1a	Left 3.5 Torsion Assembly	703938
1b	Right 3.5 Torsion Assembly	703921
2	Torsion Spindle Weldment	703821
3	Complete Hub	501199
4	3/4"-10 Serrated Flange Nut	000977
5	1/2" Cone Wheel Nut	101458
6	3/4-10 x 2.75 HH Bolt Plain	000710
7	3/4 SAE Flat Washer	001086
8	3/4 - 10 x 2 1/2 HH Bolt	000720
9	Pitch Pivot Tube	703795

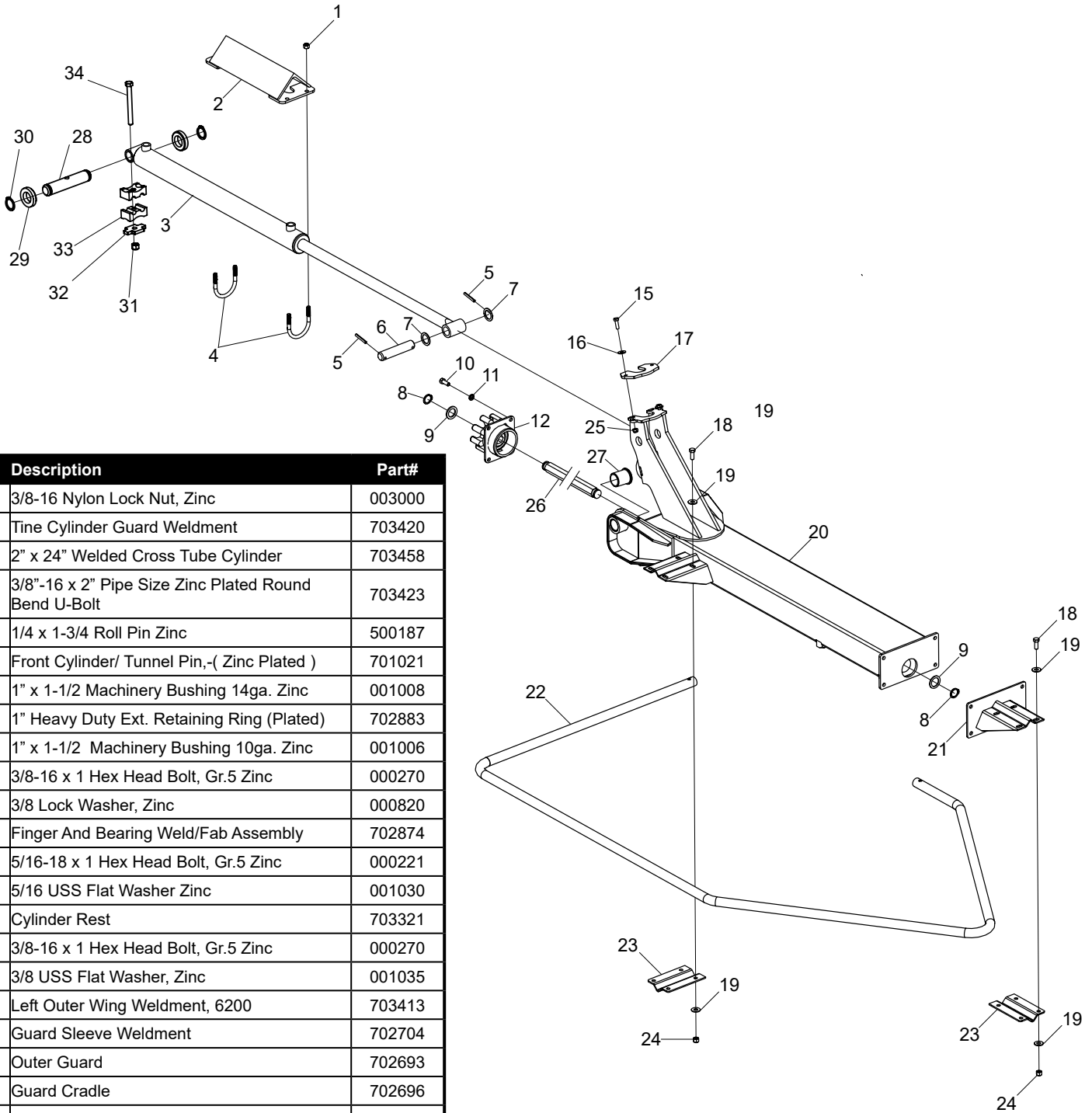
Left Middle Wing Assembly



Ref#	Description	Part#
1	1" Heavy Duty Ext. Retaining Ring (Plated)	702883
2	3/8-16 x 1-1/4 Hex Head Bolt, Gr.5 Zinc	000275
3	3/8 Lock Washer, Zinc	000820
4	1" x 1-1/2 Machinery Bushing 10ga. Zinc	001006
5	Hex Drive Open Finger Drive	702908
6	Finger Joint Spacer	702668
7	6009-2RS/C3	403789
8	BEARING WELDMENT	702877
9	Finger and Bearing Weld/Fab Assembly	702874
10	Middle Wing Hex Shaft	703826
11	Middle Finger Cover (D-Pin Joint)	703734
12	1/4-20 x 3/4 Hex Head Bolt, Gr.5 Zinc	000175

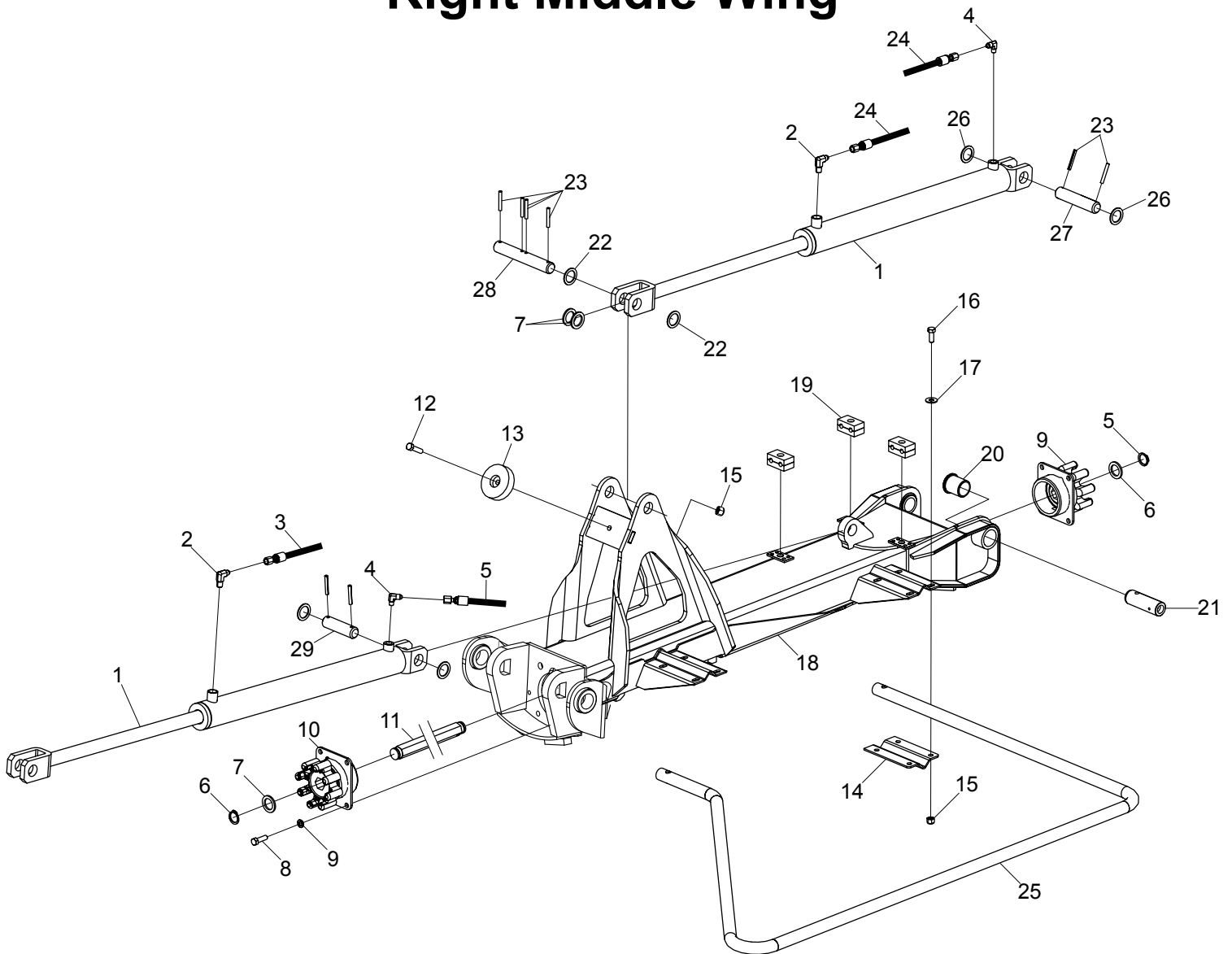
1Ref#	Description	Part#
13	1/4 USS Flat Washer, Zinc	001020
14	6200 Left Middle Wing Weldment	703412
15	3/8-16 x 1 Hex Head Bolt, Gr.5 Zinc	000270
16	3/8 USS Flat Washer, Zinc	001035
17	Guard Cradle	702696
18	3/8-16 Nylon Lock Nut, Zinc	003000
19	1.250 x 1.750 Flange Bushing	703535
20	Wing 1.250" D Pin	703052
21	1/4-28 Spin-drive Grease Fitting	400117
22	1-1/4" x 1-7/8" 18 Ga. Machinery Bushing	703588
23	1-1/4" x 1-7/8 Machinery Bushing, 14 Ga.	500185
24	External Retaining Ring, 1-1/4" Zinc	702826

Left Outer Wing



Ref#	Description	Part#
1	3/8-16 Nylon Lock Nut, Zinc	003000
2	Tine Cylinder Guard Weldment	703420
3	2" x 24" Welded Cross Tube Cylinder	703458
4	3/8"-16 x 2" Pipe Size Zinc Plated Round Bend U-Bolt	703423
5	1/4 x 1-3/4 Roll Pin Zinc	500187
6	Front Cylinder/ Tunnel Pin,-(Zinc Plated)	701021
7	1" x 1-1/2 Machinery Bushing 14ga. Zinc	001008
8	1" Heavy Duty Ext. Retaining Ring (Plated)	702883
9	1" x 1-1/2 Machinery Bushing 10ga. Zinc	001006
10	3/8-16 x 1 Hex Head Bolt, Gr.5 Zinc	000270
11	3/8 Lock Washer, Zinc	000820
12	Finger And Bearing Weld/Fab Assembly	702874
15	5/16-18 x 1 Hex Head Bolt, Gr.5 Zinc	000221
16	5/16 USS Flat Washer Zinc	001030
17	Cylinder Rest	703321
18	3/8-16 x 1 Hex Head Bolt, Gr.5 Zinc	000270
19	3/8 USS Flat Washer, Zinc	001035
20	Left Outer Wing Weldment, 6200	703413
21	Guard Sleeve Weldment	702704
22	Outer Guard	702693
23	Guard Cradle	702696
24	3/8-16 Nylon Lock Nut, Zinc	003000
25	5/16" Nylon Lock Nut	002999
26	Wing Hex Shaft	702882
27	1.250 x 1.750 Flange Bushing	703535
28	Pin, Left Cylinder Pin 6201	704034
29	Cylinder Pin Washer	704158
30	1" Heavy Duty Ext. Retaining Ring	702883
31	3/8-16 Nylon Lock Nut, Zinc	003000
32	Bottom Clamp Plate	704035
33	UHMW Custom Hose Clamp	703741
34	3/8-16 x 3-3/4 HHB Grade 5	000310

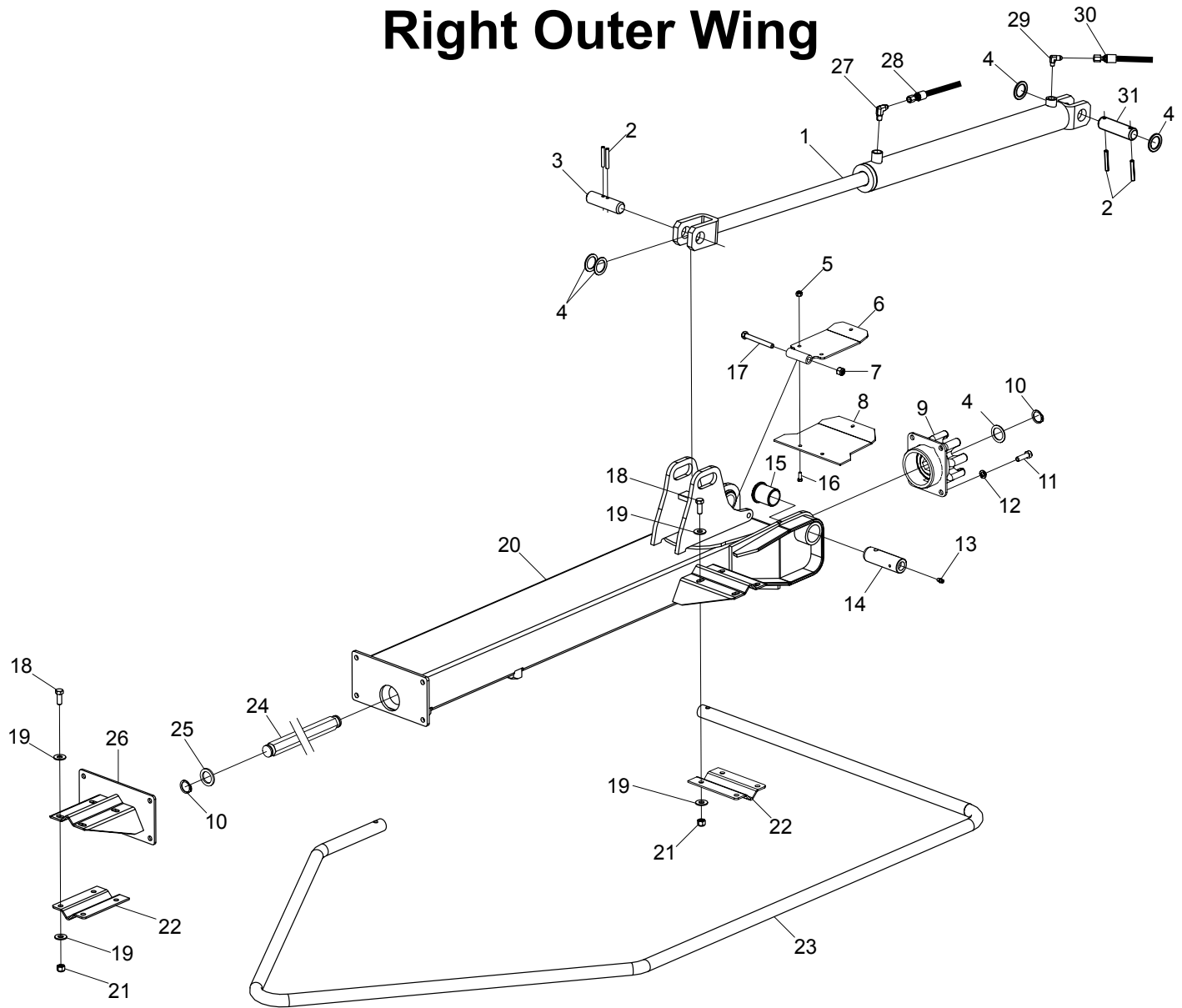
Right Middle Wing



Ref#	Description	Part#
1	2 x 18 Cylinder	701040
2	90 Degree Elbow,- #4 MJ x #6 MP	101916
3	72" Hose Assembly,-(1/4" Hose)	703613
4	90 Degree Elbow,- #4 MJ x #4 MP	702459
5	66-1/2" Hose Assembly,-(1/4" Hose)	703614
6	1" Heavy Duty Ext. Retaining Ring (PLATED)	702883
7	1" x 1-1/2 Machinery Bushing 10ga. Zinc	001006
8	3/8-16 x 1-1/4 Hex Head Bolt, Gr.5 Zinc	000275
9	3/8 Lock Washer, Zinc	000820
10	Finger And Bearing Weld/Fab Assembly	702874
11	Middle Wing Hex Shaft	703826
12	3/8-16 x 1-1/2 Hex Head Bolt, Gr.5 Zinc	000280
13	Wing Bumper	703324
14	Guard Cradle	702696

1Ref#	Description	Part#
15	3/8-16 Nylon Lock Nut, Zinc	003000
16	3/8-16 x 1 Hex Head Bolt, Gr.5 Zinc	000270
17	3/8 USS Flat Washer, Zinc	001035
18	6200 Right Middle Wing Weldment	703411
19	1/4" Clamp Block	510632
20	1.250 x 1.750 Flange Bushing	703535
21	Main Frame Pivot Pin	703052
22	1" x 1-1/2 Machinery Bushing 14ga. Zinc	001008
23	1/4 x 1-3/4 Roll Pin Zinc	500187
24	85" Hose Assembly,-(1/4" Hose)	703612
25	6100, 8100 Middle Wing Guard	703263
26	1" x 1-1/2 Machinery Bushing 14ga. Zinc	001008
27	Front Cylinder/Tunnel Pin	701021
28	6200 Right Middle Wing Pin, Rod End	703623
29	Right Wing Base Pin	705083

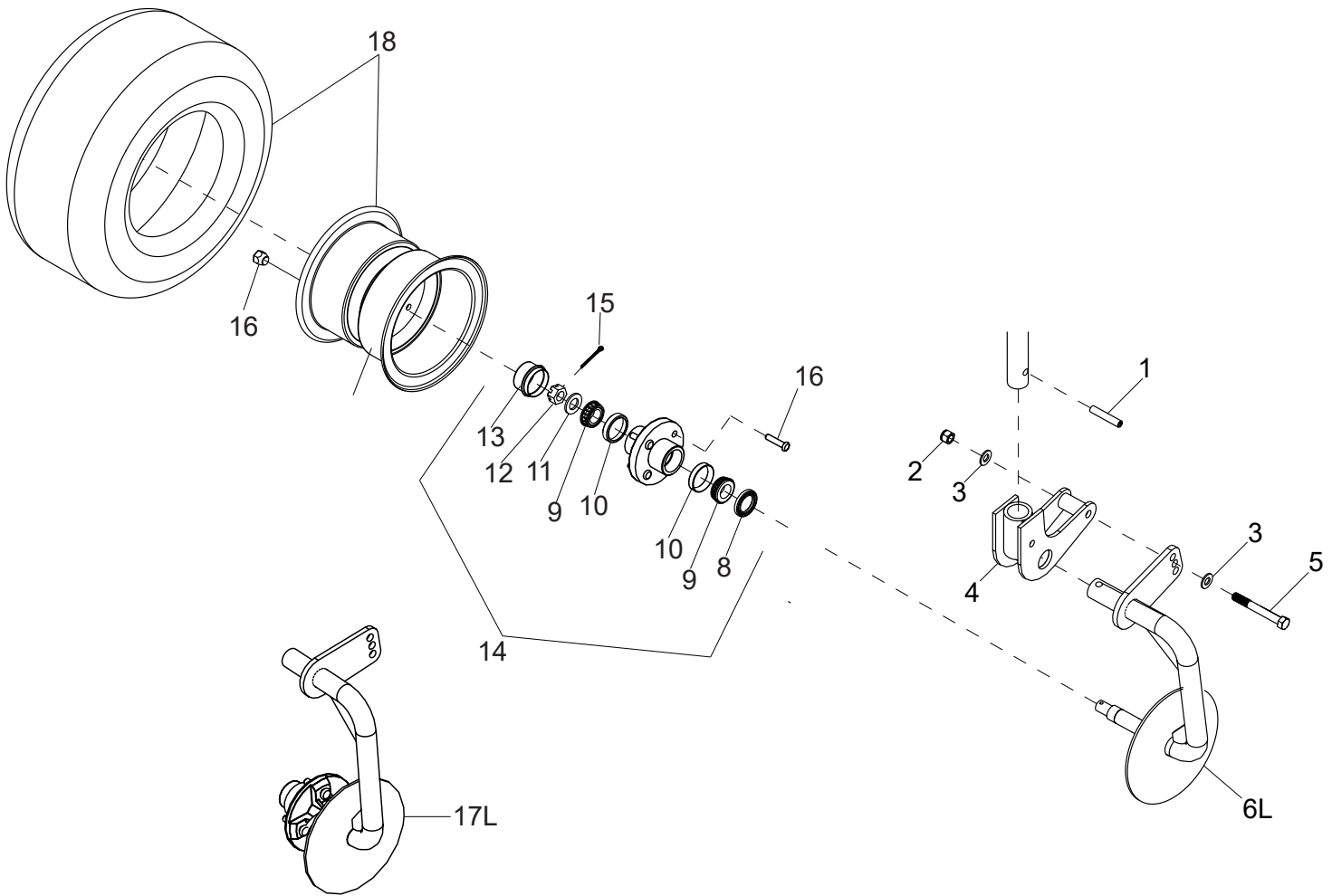
Right Outer Wing



Ref#	Description	Part#
1	2 x 18 Cylinder/Black	701040
2	1/4 x 1-3/4 Roll Pin Zinc	500187
3	Right Wing Inside Pin 6200 (Zinc Plated)	703470
4	90 Degree Elbow,- #4 MJ x #4 MP	001008
5	1/4-20 Nylon Lock Nut, Zinc	003001
6	Finger Cover Weldment	703718
7	3/8-16 Nylon Lock Nut, Zinc	003000
8	Right Outer 6200 Finger Cover	703717
9	Finger And Bearing Weld/Fab Assembly	702874
10	1" Heavy Duty Ext. Retaining Ring (Plated)	702883
11	3/8-16 x 1-1/4 Hex Head Bolt, Gr.5 Zinc	000275
12	3/8 Lock Washer, Zinc	000820
13	1/4-28 Spin-drive Grease Zert	400117
14	Main Frame Pivot Pin	703052
15	1.250 x 1.750 Flange Bushing	703535

1Ref#	Description	Part#
16	1/4-20 x 3/4 Hex Head Bolt, Gr.5 Zinc	000175
17	3/8-16 x 3-3/4 Hex Head Bolt	000310
18	3/8-16 x 1 Hex Head Bolt, Gr.5 Zinc	000270
19	3/8 USS Flat Washer, Zinc	001035
20	Right Wing Weldment, 6200	703414
21	3/8-16 Nylon Lock Nut, Zinc	003000
22	Guard Cradle	702696
23	Outer Guard	702693
24	Wing Hex Shaft, 1" x 43-1/2"	702882
25	1" x 1-1/2 Machinery Bushing 10 Ga. Zinc	001006
26	Guard Sleeve Weldment	702704
27	6100, 8100 Middle Wing Guard	101916
28	72" Hose Assembly,-(1/4" Hose)	703613
29	90 Degree Elbow,- #4 MJ x #6 MP	702459
30	66-1/2" Hose Assembly,-(1/4" Hose)	703614
31	Right Wing Base Pin	705083

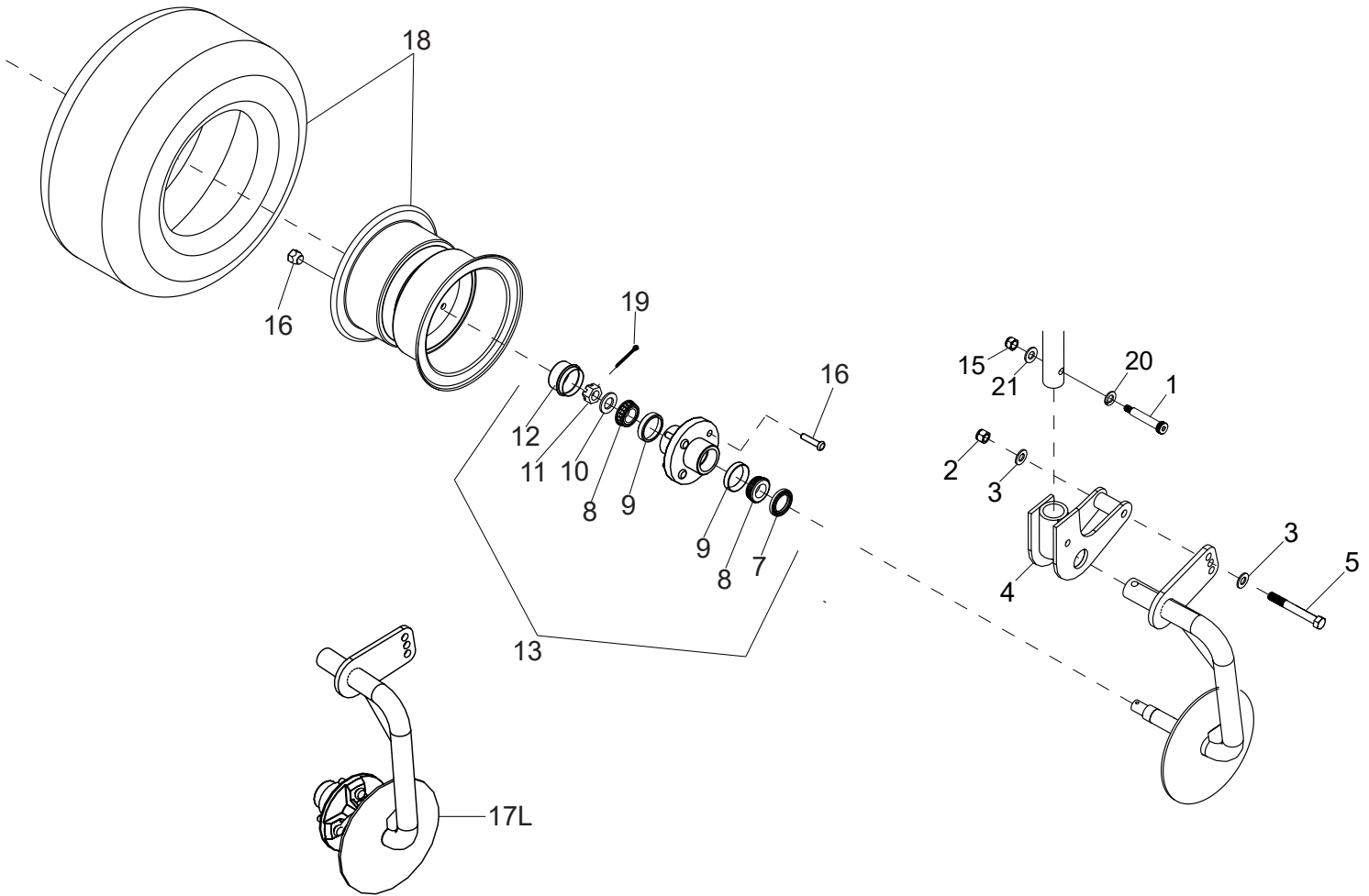
Outer Axle Assembly S/N -95066



Ref#	Description	Part#	Qty (per axle)
1	12 x 60 Spiral Roll Pin	702019	1
2	1/2"-13 Nylon Lock Nut	000950	1
3	1/2" SAE Flat Washer	001061	2
4	Spindle Tube Weldment	702729	1
5	1/2" -13 x 4" HHB	000490	1
6	Spindle Weldment	N/A	1
7	Wheel Cover Assembly	701002	1
8	Grease Seal	500201	1
9	Bearing, L44643	500202	2
10	Race, L44610	500204	2
11	Spindle Washer	500206	
12	Spindle Nut	500207	1

Ref#	Description	Part#	Qty (per axle)
13	Dust Cap	500209	1
14	Complete Hub	500199	1
15	Cotter Pin	500208	1
16	Lug Bolt (for threaded hub)	500210	4
	Stub Bolt (drive in)	508505	4
	Lug Nut (for drive in stud)	508506	4
17L	Left Spindle and Hub Package	702912	1
17R	Right Spindle and Hub Package	702913	1
18	Tire & Wheel Assembly	500220	1

Outer Axle Assembly S/N 95066+

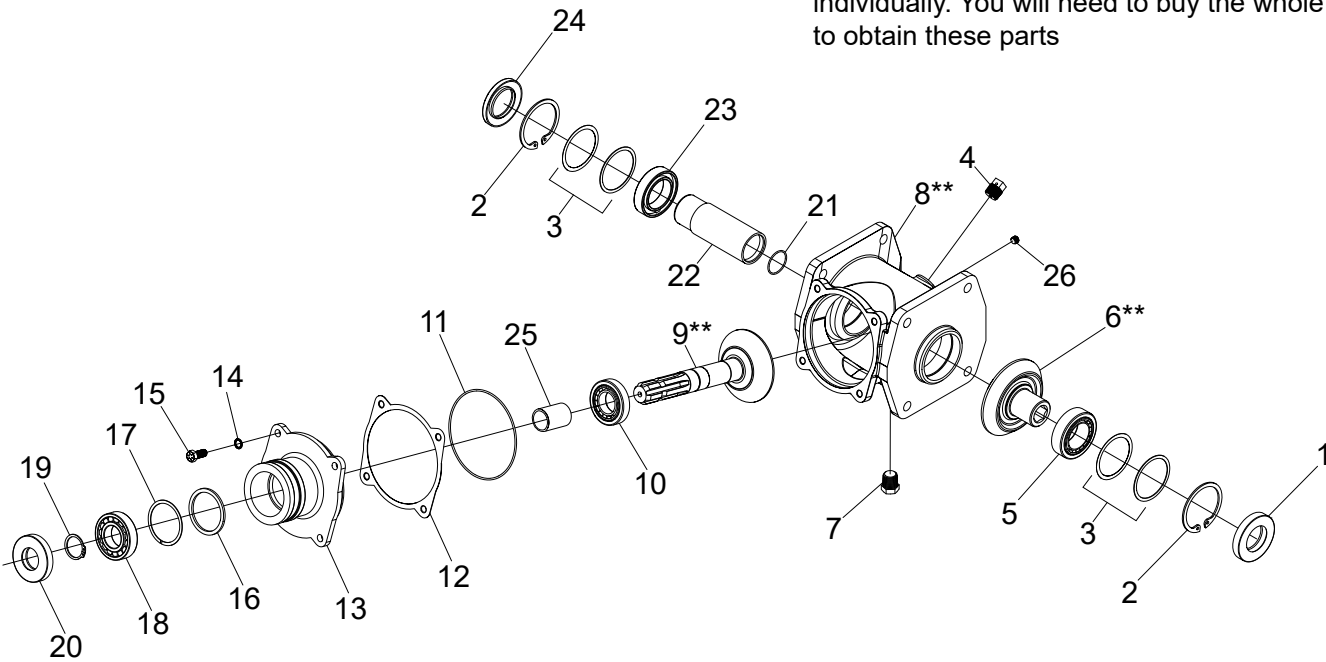


Ref#	Description	Part#
1	1/2" x 2-1/2 x 5/16" Shoulder Bolt	703772
2	1/2"-13 Nylon Lock Nut	000950
3	1/2" SAE Flat Washer	001061
4	Spindle Bracket Assembly (Bolted)	703763
5	1/2" -13 x 4" HHB	000490
6	Spindle Weldment	703761
7	Wheel Cover Assembly	701002
8	Grease Seal	500201
9	Bearing, L44643	500202
10	Race, L44610	500204
11	Spindle Washer	500206
12	Spindle Nut	500207
13	Dust Cap	500209

Ref#	Description	Part#
14	Complete Hub	500199
15	4-Bolt Rim	500222
16	Lug Bolt (for threaded hub)	500210
	Stub Bolt (drive in)	508505
	Lug Nut (for drive in stud)	508506
17	Tire, 215/60-8	500221
18	Tire & Wheel Assembly	500220
19	Cotter Pin	500208
20L	Left Spindle and Hub Package	702912
20R	Right Spindle and Hub Package	702913
21	1/2 Lock Washer, Zinc	000840
22	3/8" USS Flat Washer, Zinc	001035
23	3/8" Nylon Lock Nut, Zinc	003000

Input Gearbox Assembly

Part numbers with ** are not available to purchase individually. You will need to buy the whole gearbox to obtain these parts



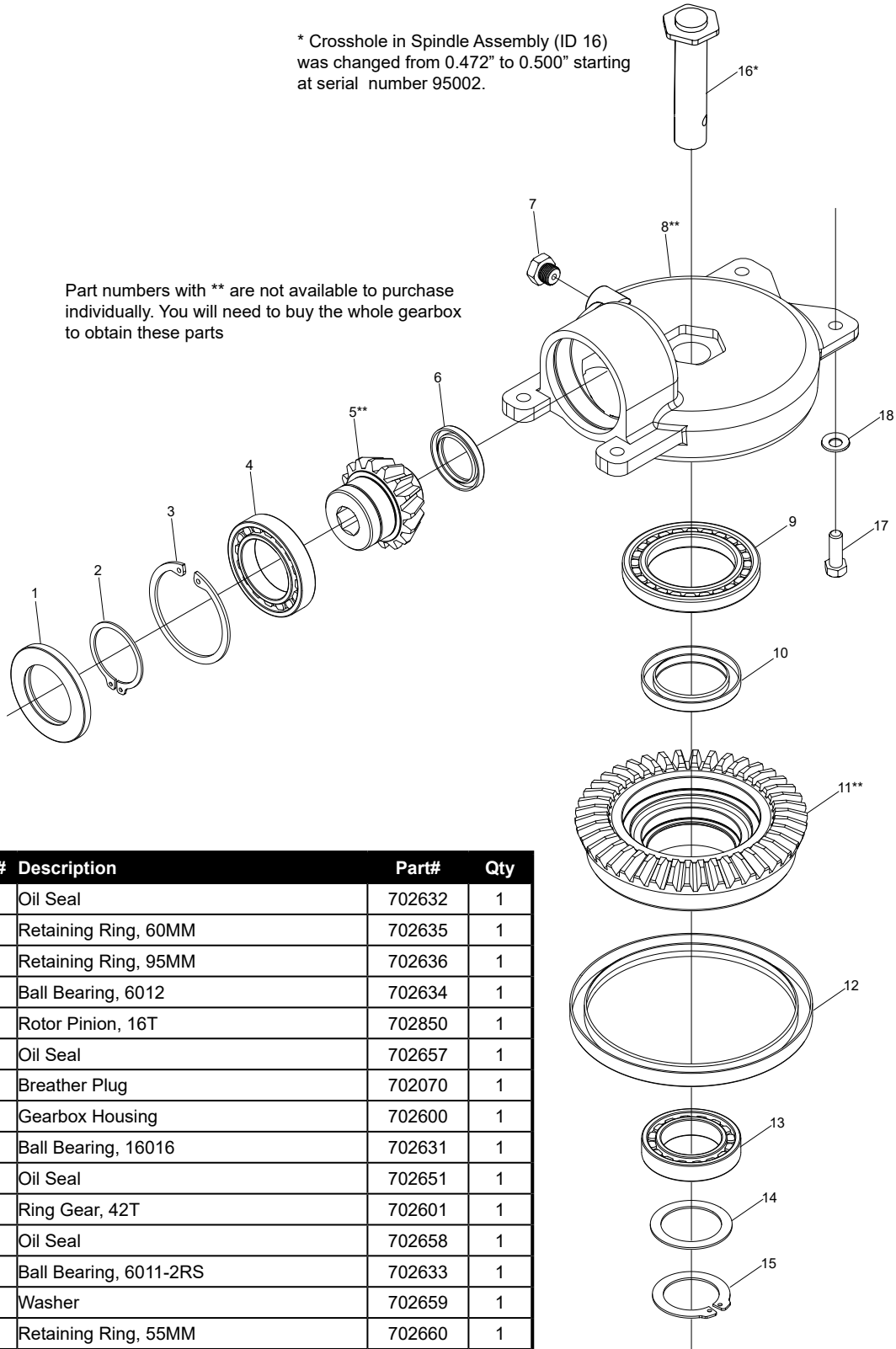
Ref#	Description	Part#
1	Oil Seal,- 45Mm X 80Mm X 13Mm	702655
2	Int. Retaining Ring, 80Mm, Din 472-080	702643
3	Retaining Ring Washer	702661-36
4	Center Gear Shim 0.003" Thick	702661-003
5	33109 Taper Bearing Set	702841
6	20T High Speed Center Gear,-(Hex Drive)	703573
7	X100 Series Plug	703115
8	Center Gearbox 17X20	703560
9	17T High Speed Pinion	703572
10	30207 Tapered Roller Bearing	703564
11	6207 Open Ball Bearing	702644
12	Disk Spring Shim, Center Gearbox	703590-003

Ref#	Description	Part#
13	30 Lb Disk Spring- Bearing Preloader	703566
14	Gearbox Disk Spring Holder	703567
15	Ext. Retaining Ring, 35Mm	702648
16	Input Cap O-Ring	703659
17	Input Shaft Housing For Tapered Roller Bearing	703563
18	7/16 Serrated Safety Washer, 0130155	702663
19	7/16-20 X 1 Hex Head Bolt Gr. 8	000349
20	Oil Seal,- 35Mm X 72Mm X 12Mm	702656
21	O-Ring	702646
22	Input Gear Spacer For 17X20 Gearbox	703570
23	6010 Open Ball Bearing	702638
24	Oil Seal,- 50Mm X 80Mm X 8Mm	702654
	Complete High Speed Center Gearbox	703621

Rotor Gearbox Assembly

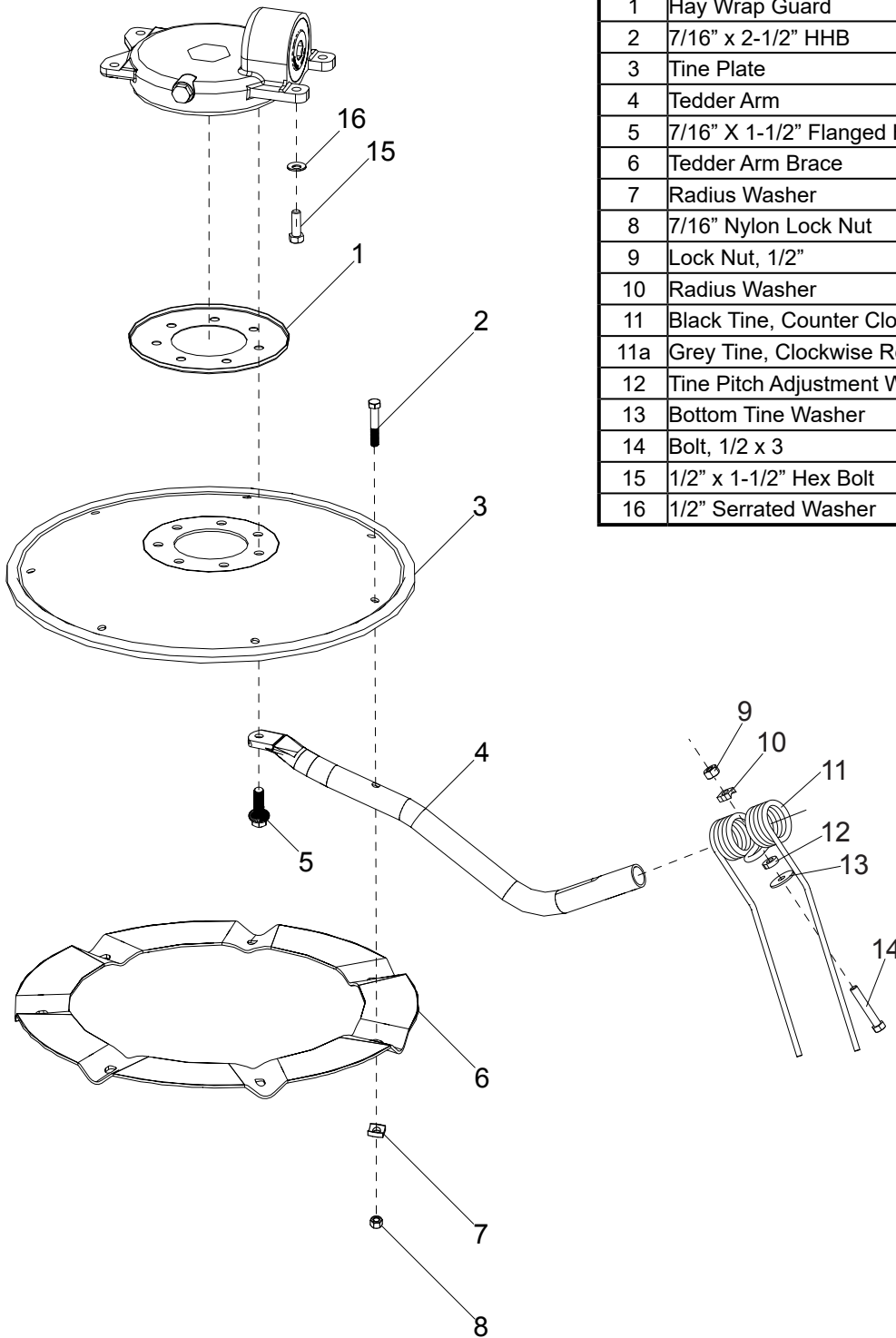
* Crosshole in Spindle Assembly (ID 16)
was changed from 0.472" to 0.500" starting
at serial number 95002.

Part numbers with ** are not available to purchase
individually. You will need to buy the whole gearbox
to obtain these parts



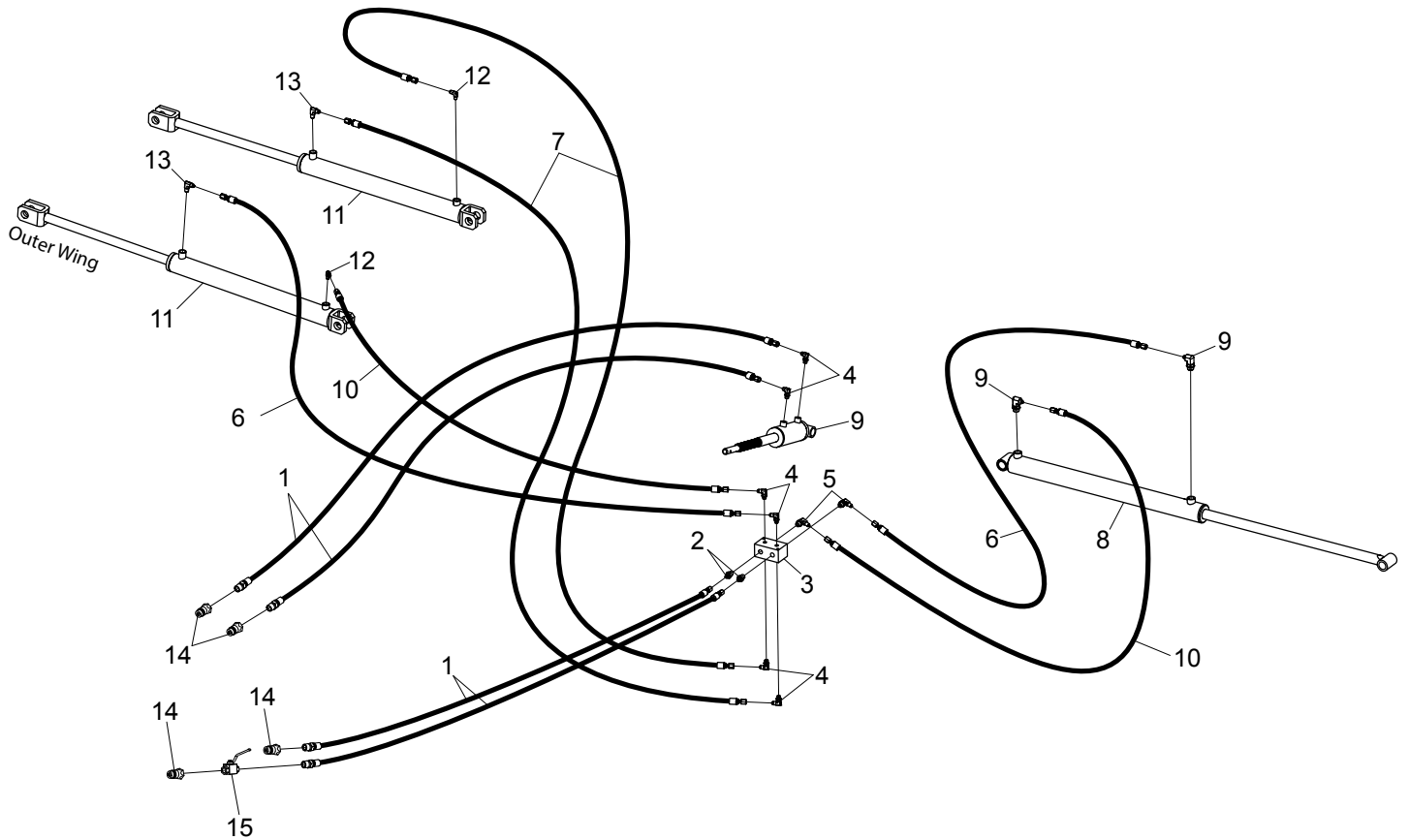
Ref#	Description	Part#	Qty
1	Oil Seal	702632	1
2	Retaining Ring, 60MM	702635	1
3	Retaining Ring, 95MM	702636	1
4	Ball Bearing, 6012	702634	1
5	Rotor Pinion, 16T	702850	1
6	Oil Seal	702657	1
7	Breather Plug	702070	1
8	Gearbox Housing	702600	1
9	Ball Bearing, 16016	702631	1
10	Oil Seal	702651	1
11	Ring Gear, 42T	702601	1
12	Oil Seal	702658	1
13	Ball Bearing, 6011-2RS	702633	1
14	Washer	702659	1
15	Retaining Ring, 55MM	702660	1
16	Rotor Spindle Weldment	703761	1
	Complete Rotor Gearbox	702848	

Tine & Tine Arm Assembly



Ref#	Description	Part#	Qty (per rotor)
1	Hay Wrap Guard	702734	1
2	7/16" x 2-1/2" HHB	000375	7
3	Tine Plate	702714	1
4	Tedder Arm	702718	7
5	7/16" X 1-1/2" Flanged HHB	000725	7
6	Tedder Arm Brace	700942	1
7	Radius Washer	701008	7
8	7/16" Nylon Lock Nut	000385	7
9	Lock Nut, 1/2"	000950	7
10	Radius Washer	701008	7
11	Black Tine, Counter Clockwise	700901	7
11a	Grey Tine, Clockwise Rotation	700929	7
12	Tine Pitch Adjustment Washer	701005	7
13	Bottom Tine Washer	701004	7
14	Bolt, 1/2 x 3	000471	7
15	1/2" x 1-1/2" Hex Bolt	000435	4
16	1/2" Serrated Washer	702821	4

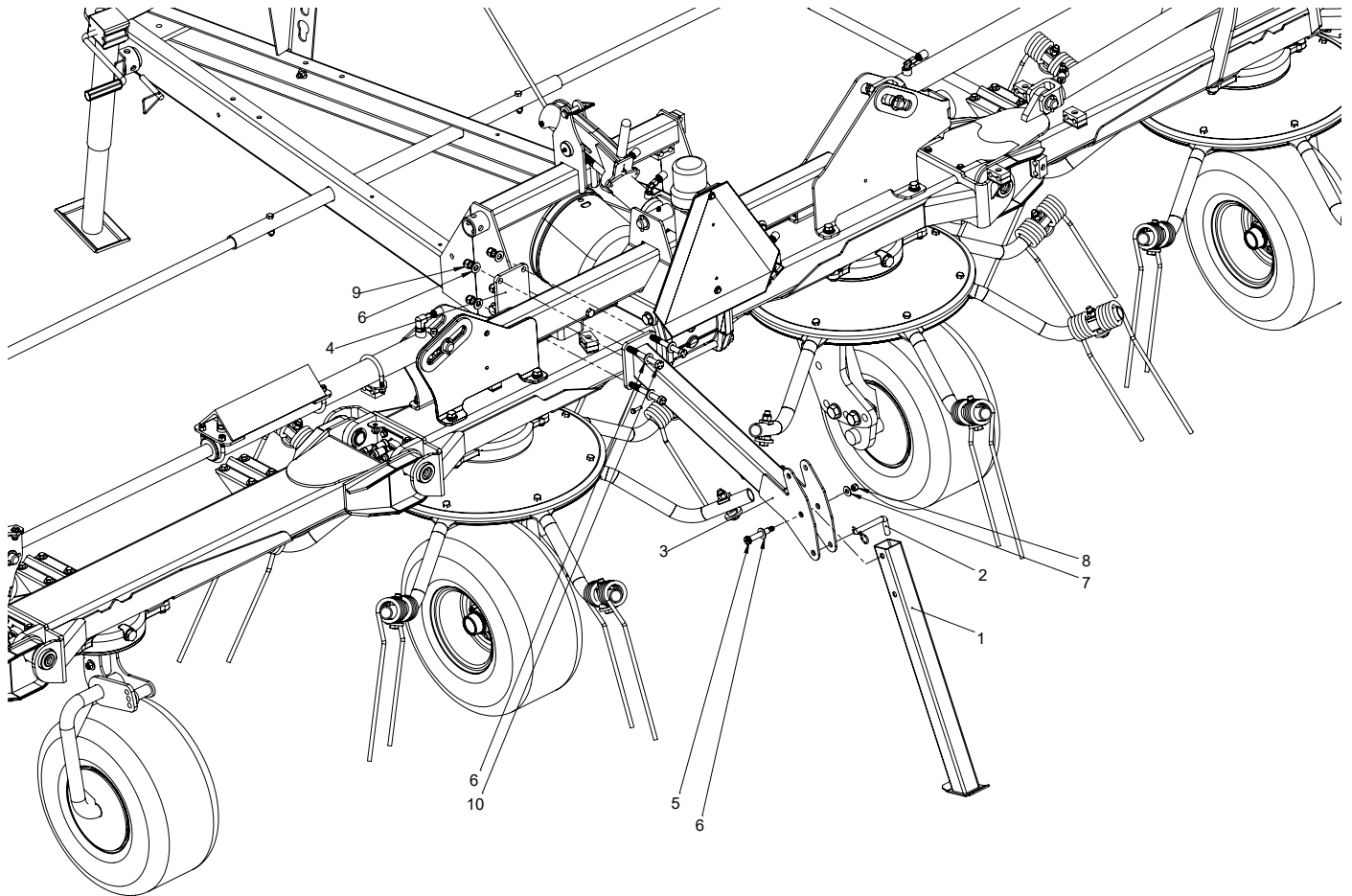
Hydraulics



Ref#	Description	Part#
1	118" Hose Assembly,-(1/4" Hose)	701039
2	Straight Fitting,- #4 MJ x #6 MB (orifice fitting)	703620
3	6200 Manifold Block (double damon block)	703633
4	90 Degree Elbow,- #4 MJ x #4 MB	700948
5	90 Degree Elbow,- #4 MJ x #6 MB	700907
6	72" Hose Assembly,-(1/4" Hose)	703613
7	85" Hose Assembly,-(1/4" Hose)	703612
8	2" x 24" Welded Cross Tube Cylinder	703458

Ref#	Description	Part#
9	90 Degree Elbow,- #4 MJ x #8 MB	290255
10	66-1/2" Hose Assembly,-(1/4" Hose)	703614
11	2 x 18 Cylinder	701040
12	90 Degree Elbow,- #4 MJ x #4 MP	702459
13	90 Degree Elbow,- #4 MJ x #6 MP	101916
14	1/2" Male AG Coupler	290105
15	Ball Valve	502322

Drop Kick Stand



Ref#	Description	Part#
1	Bottom Swivel Kickstand	703947
2	Pin, 1/2 x 3 Bent Pull Pin	100330
3	Bolted Tipping Leg for Tedders	703946
4	Drop Leg Bolt Plate	703949
5	1/2" Diameter 2 - 1/2" Shoulder Bolt	703772
6	1/2 SAE Flat Washer	001061

Ref#	Description	Part#
7	3/8 USS Flat Washer	001035
8	3/8-16 Nylon Lock Nut	003000
9	1/2-13 Nylon Lock Nut	000950
10	1/2-13 x 4.25 Grade 5 HHB	000948