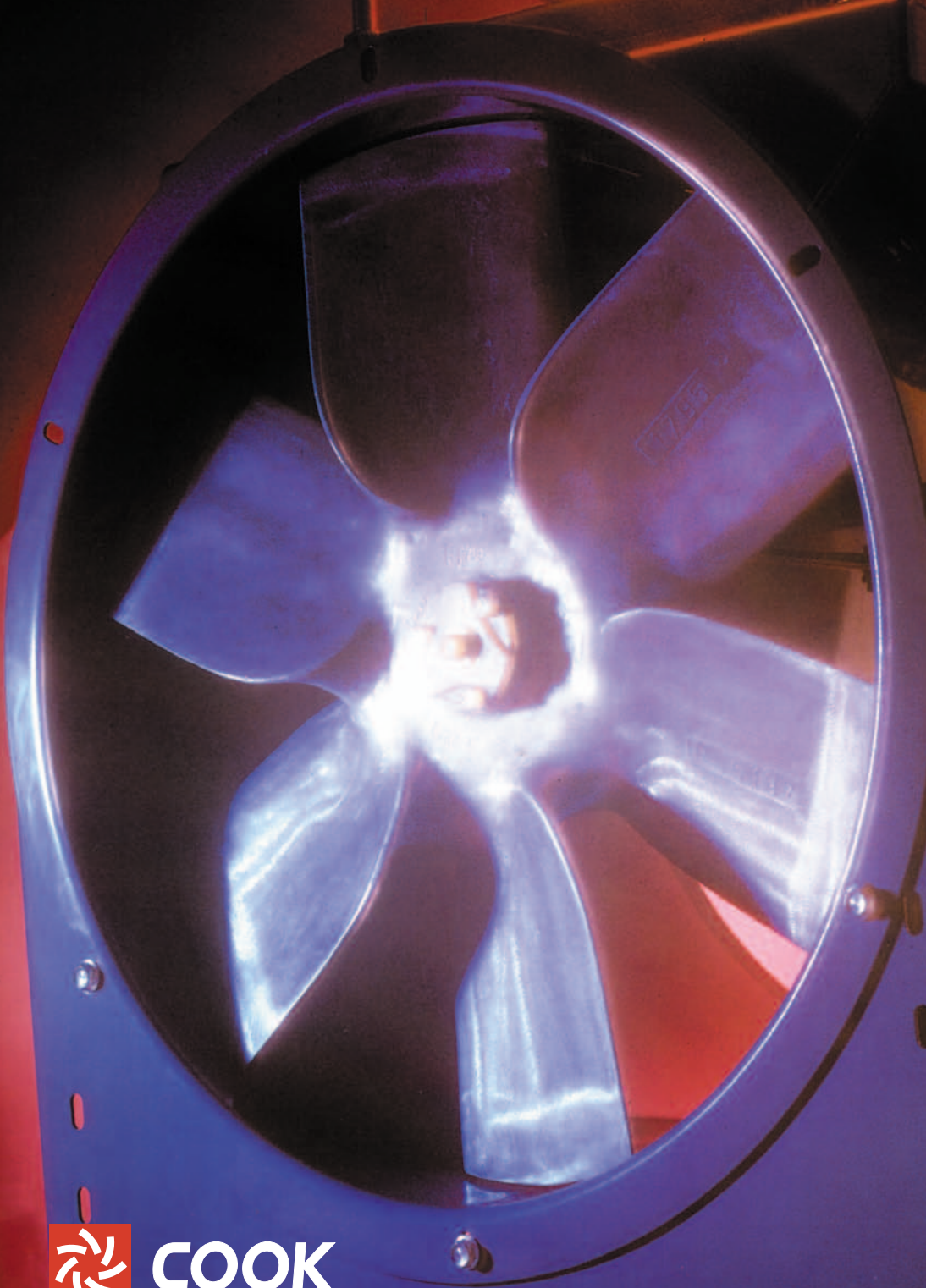


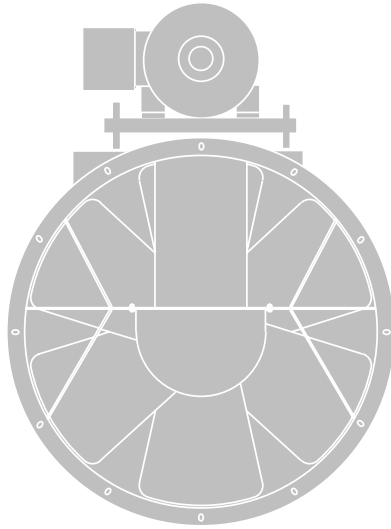
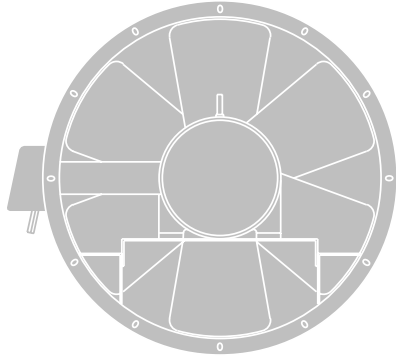
AF



COOK

AF

Tube Axial Fan



	Page
Introduction	2
Construction Features	3
Information	4
Specifications & Dimension Data	
AFD-C (Tube Axial Fan Direct Drive)	5
AFB-C (Tube Axial Fan Belt Drive)	6
AFB-H (Tube Axial Fan High Temperature Belt Drive)	7
AFB-S (Tube Axial Fan Stainless Steel Belt Drive)	8
Accessories	9 - 10
Performance Data	
AFD-C and AFDV-C	11
12 -60 AFB-C / AFBV-C	12-22
12 -36 AFB-H / AFB-S / AFBV-H / AFBV-S	23-31
Air Density and Temperature Factors	32

Introduction

Cook AF tube axial fans are designed to fill the performance gap between typical duct fans and heavy-duty vane axial fans.

- High efficiency propeller with six airfoil blades available in one-piece cast aluminum (AFB-C and AFD-C); welded steel (AFB-H); or welded stainless steel (AFB-S).
- Minimum 12 gauge steel housing with continuously welded seams, and integral inlet and outlet flanges pre-punched for mounting.
- Copper lubrication lines are standard on belt drive units and also standard on direct drive units when applicable.
- The motor plate is attached to a heavy welded sub-base and features threaded studs for positive belt tensioning.
- Direct drive units feature a totally enclosed motor.
- Belt drive units feature an inner drum that encloses the driven sheave, shaft and bearings. The low-drag tunnel, separating belts from the airstream, also protect the extended lubrication lines. Removable covers provide access to the shaft, bearings and belts.
- All steel fan components feature a Lorenized® powder coat finish.
- Bearings are heavy duty regreasable ball or roller type in a cast iron pillow block housing selected for a minimum L50 life in excess of 400,000 hours for horizontal units and L50 life in excess of 250,000 hours for vertical units.
- Accurate performance is assured through compliance with the AMCA Certified Ratings Program. The AFD-C, AFB-C, AFDV-C, and AFBV-C are licensed to bear the AMCA Seal for Air Performance.



AFD-C/AFDV-C

AFD-C / AFDV-C

- AFD-C available in 11 direct drive sizes. Capacities range from 1150 to 68,000 CFM, with static pressures from 0 to 4 ½ inches.
- AFDV-C available in 11 direct drive sizes. Capacities range from 1150 to 68,000 CFM, with static pressures from 0 to 5 inches.
- Temperature operating range for AFD-C and AFDV-C units is from -20°F to 104°F. (Direct Drive, Cast Prop)



AFB-C/AFBV-C

AFB-C / AFBV-C

- AFB-C available in 11 belt drive sizes. Capacities range from 200 to in excess of 97,000 CFM, with static pressures from 0 to 6 inches
- AFBV-C available in 11 belt drive sizes. Capacities range from 200 to 97,000 CFM, with static pressures from 0 to in excess of 6 inches.
- Temperature operating range for AFB-C and AFBV-C units is from -20°F to 180°F. (Belt Drive, Cast Prop)



AFB-H/AFBV-H

AFB-H / AFBV-H

- AFB-H available in 9 belt drive sizes. Capacities range from 600 to in excess of 25,000 CFM, with static pressures from 0 to 5 inches.
- AFBV-H available in 9 belt drive sizes. Capacities range from 600 to 25,000 CFM, with static pressures from 0 to in excess of 5 inches.
- UL Listed for inline "Smoke Control Systems"
- Temperature operating range for AFB-H and AFBV-H units is from -20°F to 500°F. (Belt Drive, High Temperature, Steel Prop)

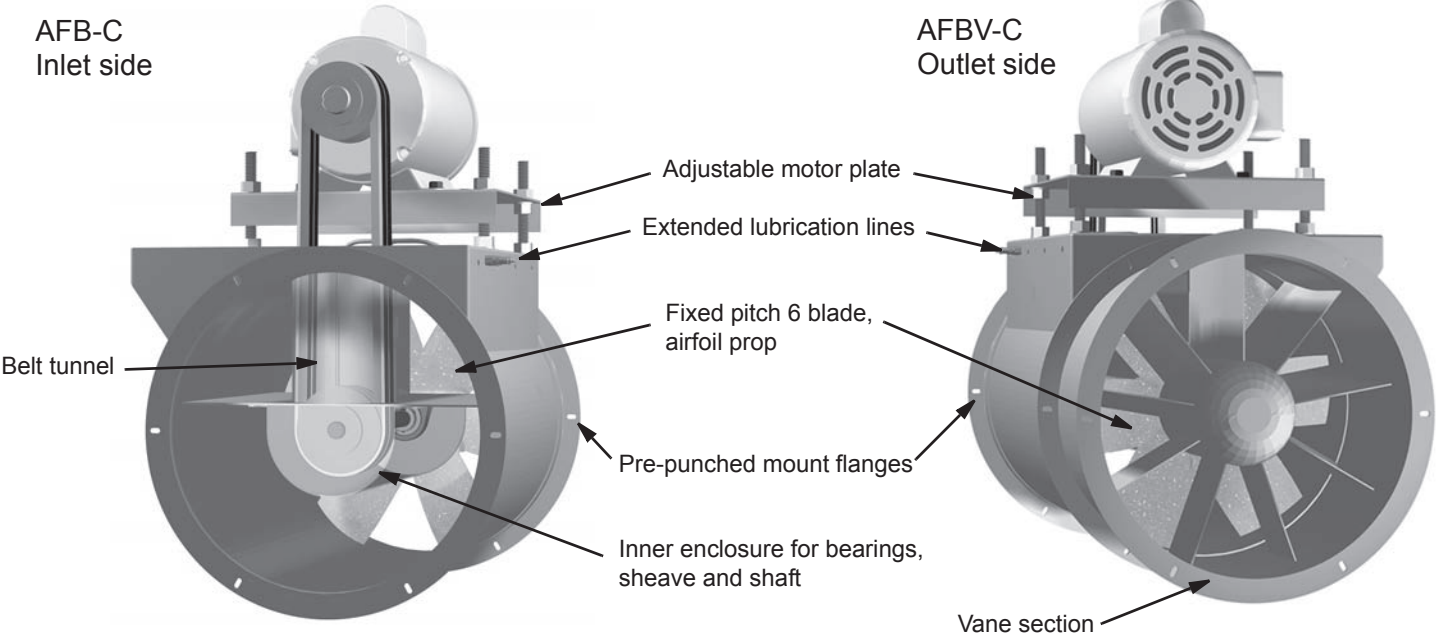


AFB-S/AFBV-S

AFB-S / AFBV-S

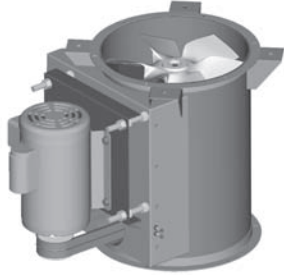
- AFB-S available in 9 belt drive sizes. Capacities range from 600 to in excess of 25,000 CFM, with static pressures from 0 to 5 inches.
- AFBV-S available in 9 belt drive sizes. Capacities range from 600 to 25,000 CFM, with static pressures from 0 to in excess of 5 inches.
- 304 stainless steel construction standard.
- Temperature operating range for AFB-S and AFBV-S units is from -20°F to 200°F. (Belt Drive, Stainless Steel Prop)

Construction Features

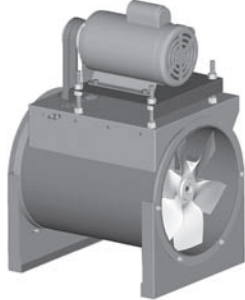


Mounting Options

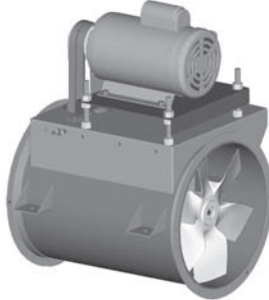
Vertical



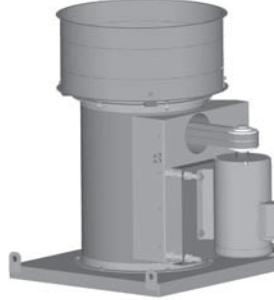
Floor, Ceiling, Wall or Platform



Ceiling Horizontal



Roof Exhauster



CFM Limitation for Damper Operation

Fan Size	CFM	
	Min.	Max.
12	990	2435
14	1355	3330
18	2250	5535
20	3070	7560
24	4020	9895
28	4725	11630
32	5885	14490
36	9095	22385
44	12395	30515
48	16165	39795
54	20485	50425
60	25315	62310

Vertical mounting brackets provide for vertical installation, floor or ceiling mount, with upblast or downblast configuration. Vibration isolators can be used in all mounting configurations. Ceiling brackets with upblast configuration shown.

Mounting feet, bolted to the inlet and outlet flanges, can be field rotated for different motor positions. The mounting feet provide a solid base for mounting to the floor, ceiling or wall. They can be used with vibration isolators.

Side-angle supports provide for suspension of the unit. The supports can be used with vibration isolators. Motor location "A" only.

AFD and AFB, when used with optional butterfly damper, panel and curb, can be mounted as a roof exhauster. Allow 1/8" static pressure resistance for damper. (See table, **CFM Limitation for Damper Operation**, for additional information.)

Product Nomenclature

Sample - 54AFBV-C

54 - Prop Diameter in inches.
 Sizes range from 12 to 60

AF - Tube Axial

B - Drive Type

D - Direct Drive

B - Belt Drive

V - Vane Section

C - Unit and Prop Construction

C - Lorenized[®] housing with cast aluminum prop

H - High temperature steel construction with welded steel prop

S - Stainless steel housing with welded stainless steel prop

Duty Levels

Fan Size	Outer Housing	Duty Level 1		Duty Level 2	
		Shaft Diameter	Motor HP	Shaft Diameter	Motor HP
12	12 ga.	1"	1/2 - 2	-	-
14	12 ga.	1"	1/2 - 3	-	-
16	12 ga.	1"	1/2 - 3	-	-
18	12 ga.	1"	1/2 - 5	1	7-1/2
20	12 ga.	1"	1/2 - 5	-	-
24	10 ga.	1-3/16"	1/2 - 7-1/2	1-3/16"	10
28	10 ga.	1-3/16"	1 - 7-1/2	1-3/16"	10 - 15
32	10 ga.	1-7/16"	2 - 7-1/2	1-7/16"	10 - 15
36	10 ga.	1-11/16"	2 - 20	-	-
44	10 ga.	1-15/16"	2 - 10	1-15/16"	15 - 30
48	10 ga.	1-15/16"	5 - 7-1/2	1-15/16"	10 - 40
54	1/4"	2-7/16"	5 - 50	-	-
60	1/4"	2-7/16"	5 - 60	-	-

Information

Inlet/Outlet Cones

Cones are used on the tube axial fan to adapt it to larger or smaller size ducts on both the inlet and outlet sides. For example, a Diverging Outlet Cone, as illustrated in Figure A, connects the fan to a larger duct resulting in static regain. The **Static Regain** table provides examples of the regain for a cone with an angle of 25 degrees to 30 degrees and varying fan outlet velocities.

For other diverging outlet cones, an approximate determination of static regain can be obtained if the following formula is used.

$$SP_2 = SP_1 + .45(VP_1 - VP_2)$$

A Converging Inlet Cone, as illustrated in Figure B, is used to connect a large duct to the fan inlet. Due to the tapered shape of the cone, friction loss is negligible. To determine this slight difference in static pressure, the following formula can be used.

$$SP_2 = SP_1 - .08(VP_1 - VP_2)$$

A Converging Outlet Cone, as illustrated in Figure C, is used to connect a small duct to the outlet flange of the fan. The across-the-cone change in velocity pressure is added to the fan's static pressure. To determine the change in static pressure, the following formula can be used.

$$SP_2 = SP_1 - (VP_1 - VP_2)$$

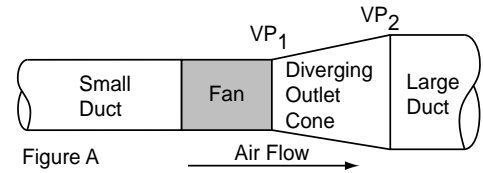


Figure A

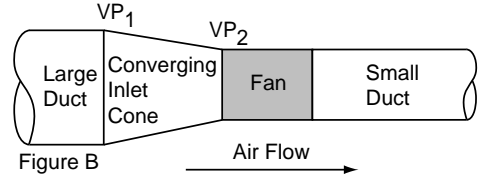


Figure B

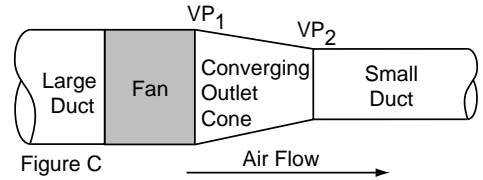


Figure C

Static Regain

Velocity (FPM)	SP (in inches)	Velocity (FPM)	SP (in inches)	Velocity (FPM)	SP (in inches)
1000	.012	2750	.099	4500	.261
1250	.020	3000	.117	4750	.290
1500	.029	3250	.138	5000	.323
1750	.040	3500	.160	5250	.356
2000	.052	3750	.183	5500	.392
2250	.065	4000	.207	5750	.428
2500	.081	4250	.233	6000	.467

Velocity Pressure - $VP = (\text{velocity}/4005)^2$

Velocity (FPM)	VP (in inches)	Velocity (FPM)	VP (in inches)
500	.0156	2250	.316
600	.0225	2500	.391
700	.0305	2750	.473
800	.0400	3000	.562
900	.0504	3250	.661
1000	.0625	3500	.768
1100	.0758	3750	.880
1200	.0900	4000	1.000
1300	.106	4250	1.130
1400	.122	4500	1.265
1500	.141	4750	1.410
1600	.160	5000	1.560
1700	.181	5250	1.720
1800	.203	5500	1.890
1900	.226	5750	2.060
2000	.250	6000	2.250

Vane Section

The "V" in the model number designates that the AF unit is furnished with a bolt-on vane section. The addition of the vane section increases the performance of the AF static pressure range by approximately 30 percent for the same horsepower thus creating an efficient, low-powered vane axial fan.

Lorenized® Fan Finish Specification

All steel fan components shall be finished with an electrostatically applied, baked polyester powder coating. Each component shall be subject to a five stage environmentally friendly wash system, followed by a minimum 2 mil thick baked powder finish. Paint must exceed 1,000 hour salt spray under ASTM B117 test method.

Standard Color - Gray

Final Coat Thickness - Minimum 2 mils

Polyester Powder Testing Information

Property	Test Method	Value
Impact Resistance	ASTM D2794	100 inch-pounds
Pencil Hardness	ASTM D3363	2H (Mar or Gouge)
Crosshatch Adhesion	ASTM D3359 Method B	100 percent
Humidity Resistance	ASTM D2247	1000+ Hours
Salt Spray	ASTM B117	1000+ Hours
Continuous Service Temperature	N/A	230°F (110°C)

**Tube Axial Fan
Direct Drive**

Description - Fan shall be direct drive, fixed pitch, tube axial fan.

Certifications - Fan shall be manufactured at an ISO 9001 certified facility. Fan shall be listed by Underwriters Laboratories (UL 705) and UL listed for Canada (cUL 705). Fan shall bear the AMCA Certified Ratings Seal for Air Performance.

Construction - Fan shall be of bolted and welded construction utilizing corrosion resistant fasteners. Housing shall be a minimum 12 gauge steel with continuously welded seam and integral inlet and outlet flanges pre-punched for mounting. Copper lube lines shall be extended from the motor to the outside of the housing. Unit shall bear an engraved aluminum nameplate. Nameplate shall indicate design CFM and static pressure.

Coating - All steel fan components shall be Lorenized® with an electrostatically applied, baked polyester powder coating. Each component shall be subject to a five stage environmentally friendly wash system, followed by a minimum 2 mil thick baked powder finish. Paint must exceed 1,000 hour salt spray under ASTM B117 test method.

Propeller - Propeller shall be fixed pitch, one piece cast aluminum, six blade airfoil design. The propeller shall be keyed and secured to the shaft with a split taper bushing and retaining plate. Propeller shall be balanced in accordance with AMCA Standard 204-96, Balance Quality and Vibration Levels for Fans, Category BV-3.

Motor - Motor shall be heavy duty type totally enclosed furnished at the specified voltage and phase.

Product - Fan shall be model AFD-C as manufactured by Loren Cook Company of Springfield, Missouri and AFDV-C when provided with vane section.



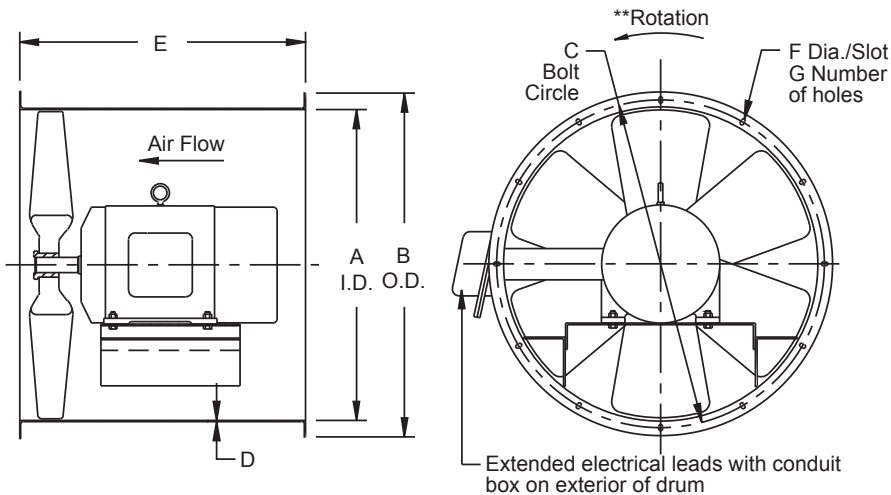
Loren Cook Company certifies that the AFD-C/AFDV-C shown herein are licensed to bear the AMCA Seal. The ratings shown are based on tests and procedures performed in accordance with AMCA Publication 211 and comply with the requirements of the AMCA Certified Ratings Program.



Type AFD-C/AFDV-C are furnished standard with UL 705 listing (Power Ventilator/ZACT) when furnished with factory supplied motor.



Type AFD-C/AFDV-C are furnished standard with cUL listing (Power Ventilator) when furnished with factory supplied motor.



AFD-C / AFDV-C Dimension Data

AFD Size	A	B	C	D	E	F	G	TEFC Motor Frame	Approx. Ship Wt. Lbs.*
12	12-7/8	15-5/8	14-5/8	12 ga.	22	5/16	6	56	49
16	16-7/8	19-5/8	18-5/8	12 ga.	25	5/16 x 5/8	6	182T	74
18	18-7/8	21-5/8	20-5/8	12 ga.	25	5/16 x 5/8	6	182T	86
24	24-7/8	29-1/8	26-7/8	10 ga.	31	7/16 x 3/4	6	182T	136
28	28-7/8	33-1/8	30-7/8	10 ga.	31	7/16 x 3/4	6	184T	178
32	33	37-1/4	35	10 ga.	34	7/16 x 3/4	6	215T	207
36	37	41-3/8	39	10 ga.	34	7/16 x 3/4	6	254T	223
44	45	49-3/8	47-1/2	10 ga.	42	7/16 x 3/4	12	256T	339
48	49-1/8	53-1/2	51-5/8	10 ga.	42	7/16 x 3/4	12	284T	404
54	55-3/8	60-3/4	57-5/8	7 ga.	42	7/16 x 3/4	12	365T	784
60	61-3/8	66-3/4	63-5/8	7 ga.	42	7/16 x 3/4	12	405T	875

All dimensions in inches. *Less motor.

**Rotation for size 54 & 60 is reverse from the diagram above.

AFB-C/AFBV-C Specifications and Dimension Data

Tube Axial Fan Belt Drive



Description - Fan shall be a belt drive, fixed pitch, tube axial fan.

Certifications - Fan shall be manufactured at an ISO 9001 certified facility. Fan shall be listed by Underwriters Laboratories (UL 705) and UL listed for Canada (cUL 705). Fan shall bear the AMCA Certified Ratings Seal for Air Performance.

Construction - Fan shall be of bolted and welded construction utilizing corrosion resistant fasteners. Housing shall be minimum 12 gauge steel with continuously welded seam and integral inlet and outlet flanges pre-punched for mounting. Copper lube lines shall be extended from the bearings to the outside of the housing. Adjustable motor plate shall be attached to a welded motor sub-base and shall utilize threaded studs for positive belt tensioning. Unit shall bear an engraved aluminum nameplate. Nameplate shall indicate design CFM, static pressure and maximum fan RPM.

Coating - All steel fan components shall be Lorenized[®] with an electrostatically applied, baked polyester powder coating. Each component shall be subject to a five stage environmentally friendly wash system, followed by a minimum 2 mil thick baked powder finish. Paint must exceed 1,000 hour salt spray under ASTM B117 test method.

Propeller - Propeller shall be fixed pitch, one piece cast aluminum, six blade airfoil design. The propeller shall be keyed and secured to the shaft with a split taper bushing and retaining plate. Propeller shall be balanced in accordance with AMCA Standard 204-96, Balance Quality and Vibration Levels for Fans, Category BV-3.

Motor - Motor shall be heavy duty type furnished at the specified voltage, phase and enclosure.

Bearings - Bearings are designed and tested specifically for use in air handling applications. Bearings are heavy duty regreasable ball or roller type in a cast iron pillow block housing selected for a minimum L50 life in excess of 400,000 hours for horizontal units and L50 life in excess of 250,000 hours for vertical units at maximum cataloged operating speed, horsepower and static pressure.

Shaft - Fan shaft shall be AISI C-1045 hot rolled and accurately turned, ground and polished. Shafting shall be sized for a critical speed of at least 125 percent of maximum RPM.

Belts and Drives - Belts shall be oil and heat resistant, non-static type. Drives shall be precision machined cast iron type, keyed and securely attached to the wheel and motor shafts. Drives shall be sized for 150 percent of the installed motor horsepower. The variable pitch motor drive must be factory set to the specified fan RPM.

Product - Fan shall be model AFB-C as manufactured by Loren Cook Company of Springfield, Missouri and AFBV-C when provided with vane section.



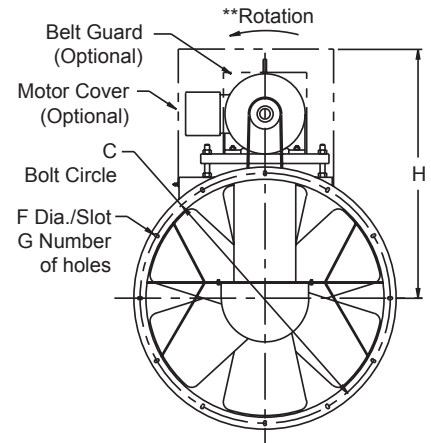
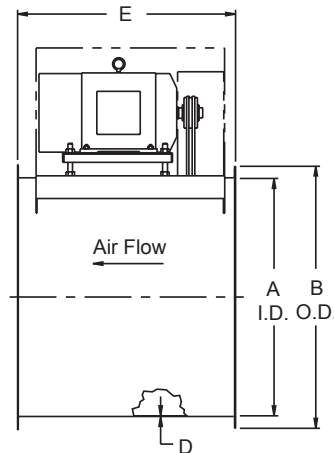
Loren Cook Company certifies that the AFB-C/AFBV-C shown herein are licensed to bear the AMCA Seal. The ratings shown are based on tests and procedures performed in accordance with AMCA Publication 211 and comply with the requirements of the AMCA Certified Ratings Program.



Type AFB-C/AFBV-C are furnished standard with UL 705 listing (Power Ventilator/ZACT) when furnished with factory supplied motor.



Type AFB-C/AFBV-C are furnished standard with cUL listing (Power Ventilator) when furnished with factory supplied motor.



AFB-C / AFBV-C Dimension Data

AFB Size	A	B	C	D	E	F	G	H	ODP Motor Frame	Approx. Ship Wt. Lbs.*
12	12-7/8	15-5/8	14-5/8	12 ga.	22	5/16	6	24-5/8	145T	84
16	16-7/8	19-5/8	18-5/8	12 ga.	25	5/16 x 5/8	6	30-1/8	182T	119
18	18-7/8	21-5/8	20-5/8	12 ga.	25	5/16 x 5/8	6	31-1/8	213T	136
24	24-7/8	29-1/8	26-7/8	10 ga.	31	7/16 x 3/4	6	39-7/8	215T	231
28	28-7/8	33-1/8	30-7/8	10 ga.	31	7/16 x 3/4	6	41-7/8	254T	265
32	33	37-1/4	35	10 ga.	34	7/16 x 3/4	6	45-1/4	254T	350
36	37	41-3/8	39	10 ga.	34	7/16 x 3/4	6	47-1/4	256T	385
44	45	49-3/8	47-1/2	10 ga.	42	7/16 x 3/4	12	58-3/4	286T	576
48	49-1/8	53-1/2	51-5/8	10 ga.	42	7/16 x 3/4	12	60-3/4	324T	677
54	55-3/8	60-3/4	57-5/8	7 ga.	42	7/16 x 3/4	12	51-3/4	326T	940
60	61-3/8	66-3/4	63-5/8	7 ga.	42	7/16 x 3/4	12	54-3/4	364T	1042

All dimensions in inches. *Less motor.

**Rotation for size 54 & 60 is reverse from the diagram above.

Description - Fan shall be a belt drive, high temperature, fixed pitch, tube axial fan.

Certifications - Fan shall be manufactured at an ISO 9001 certified facility. Fan shall be listed by Underwriters Laboratories (UL 705) and UL listed for Canada (cUL 705).

Construction - Fan shall be of bolted and welded construction utilizing corrosion resistant fasteners, and suitable for up to 500°F continuous operating temperature. Housing shall be minimum 12 gauge steel with continuously welded seam and integral inlet and outlet flanges pre-punched for mounting. Copper lube lines shall be extended from the bearings to the outside of the housing. Adjustable motor plate shall be attached to a welded motor sub-base and shall utilize threaded studs for positive belt tensioning. Unit shall bear an engraved aluminum nameplate. Nameplate shall indicate design CFM, static pressure and maximum fan RPM.

Coating - All steel fan components shall be coated with a heat resistant silicon-alkyd resin.

Propeller - Propeller shall be fixed pitch, welded steel six blade airfoil design. The propeller shall be keyed and secured to the shaft with a split taper bushing and retaining plate. Propeller shall be balanced in accordance with AMCA Standard 204-96, Balance Quality and Vibration Levels for Fans, Category BV-3.

Motor - Motor shall be heavy duty type furnished at the specified voltage, phase and enclosure.

Bearings - Bearings are designed and tested specifically for use in air handling applications. Bearings are heavy duty regreasable ball or roller type in a cast iron pillow block housing selected for a minimum L50 life in excess of 400,000 hours for horizontal units and L50 life in excess of 250,000 hours for vertical units at maximum cataloged operating speed.

Shaft - Fan shaft shall be AISI C-1045 hot rolled and accurately turned, ground and polished. Shafting shall be sized for a critical speed of at least 125 percent of maximum RPM.

Belts and Drives - Belts shall be oil and heat resistant, non-static type. Drives shall be precision machined cast iron type, keyed and securely attached to the wheel and motor shafts. Drives shall be sized for 150 percent of the installed motor horsepower. The variable pitch motor drive must be factory set to the specified fan RPM.

Product - Fan shall be model AFB-H as manufactured by Loren Cook Company of Springfield, Missouri and AFBV-H when provided with a vane section.

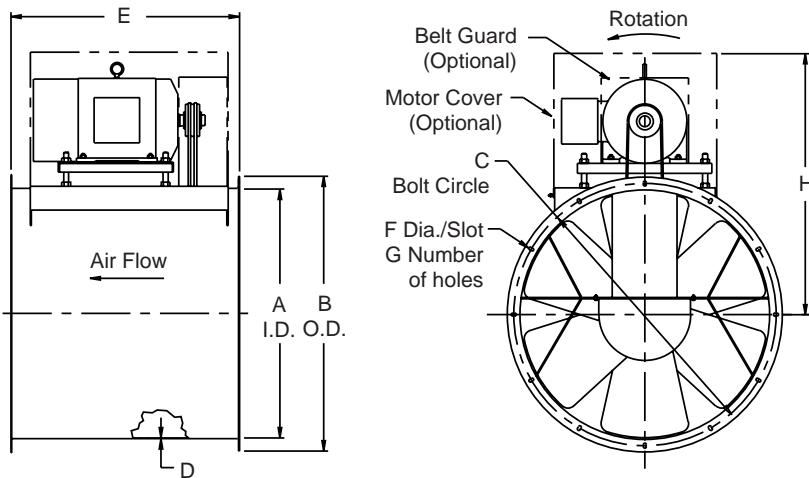
Tube Axial Fan High Temperature Belt Drive



Type AFB-H/AFBV-H are furnished standard with UL 705 listing (Power Ventilator/ZACT) when furnished with factory supplied motor.



Type AFB-H/AFBV-H are furnished standard with cUL listing (Power Ventilator) when furnished with factory supplied motor.



AFB-H/AFBV-H Dimension Data

AFB-H Size	A	B	C	D	E	F	G	H	ODP Motor Frame	Approx. Ship Wt. Lbs.*
12	12-7/8	15-5/8	14-5/8	12 ga.	22	5/16	6	24-5/8	145T	84
14	14-7/8	17-5/8	16-5/8	12 ga.	22	5/16	6	25-5/8	182T	91
16	16-7/8	19-5/8	18-5/8	12 ga.	25	5/16 x 5/8	6	30-1/8	182T	119
18	18-7/8	21-5/8	20-5/8	12 ga.	25	5/16 x 5/8	6	31-1/8	184T	136
20	20-7/8	23-5/8	22-3/8	12 ga.	31	5/16 x 5/8	6	32-1/8	184T	169
24	24-7/8	29-1/8	26-7/8	10 ga.	31	7/16 x 3/4	6	39-7/8	213T	231
28	28-7/8	33-1/8	30-7/8	10 ga.	31	7/16 x 3/4	6	41-7/8	215T	265
32	33	37-1/4	35	10 ga.	34	7/16 x 3/4	6	45-1/4	254T	350
36	37	41-3/8	39	10 ga.	34	7/16 x 3/4	6	47-1/4	256T	385

All dimensions in inches. *Less motor.

Tube Axial Fan Stainless Steel Belt Drive



Type AFB-S/AFBV-S are furnished standard with UL 705 listing (Power Ventilator/ZACT) when furnished with factory supplied motor.



Type AFB-S/AFBV-S are furnished standard with UL listing (Power Ventilator) when furnished with factory supplied motor.

Description - Fan shall be a belt drive, stainless steel, fixed pitch tube axial fan.

Certifications - Fan shall be manufactured at an ISO 9001 certified facility. Fan shall be listed by Underwriters Laboratories (UL 705) and UL listed for Canada (cUL 705).

Construction - Fan shall be of bolted and welded construction utilizing corrosion resistant fasteners. Housing shall be minimum 12 gauge 304 stainless steel with continuously welded seam and integral inlet and outlet flanges pre-punched for mounting. Lube lines shall be extended from the bearings to the outside of the housing. Adjustable motor plate shall be attached to a welded motor sub-base and shall utilize threaded studs for positive belt tensioning. Unit shall bear an engraved aluminum nameplate. Nameplate shall indicate design CFM, static pressure and maximum fan RPM.

Propeller - Propeller shall be fixed pitch, welded 304 stainless steel, six blade airfoil design. The propeller shall be keyed and secured to the shaft with set screws and retaining plate. Propeller shall be balanced in accordance with AMCA Standard 204-96, Balance Quality and Vibration Levels for Fans, Category BV-3.

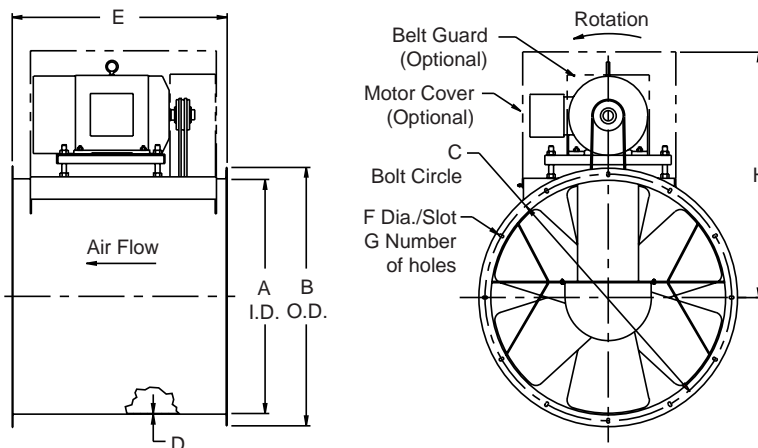
Motor - Motor shall be heavy duty type furnished at the specified voltage, phase and enclosure.

Bearings - Bearings are designed and tested specifically for use in air handling applications. Bearings are heavy duty regreasable ball or roller type in a cast iron pillow block housing selected for a minimum L50 life in excess of 400,000 hours for horizontal units and L50 life in excess of 250,000 hours for vertical units at maximum cataloged operating speed.

Shaft - Fan shaft shall be 304 stainless steel and accurately turned, ground and polished. Shafting shall be sized for a critical speed of at least 125 percent of maximum RPM.

Belts and Drives - Belts shall be oil and heat resistant, non-static type. Drives shall be precision machined cast iron type, keyed and securely attached to the wheel and motor shafts. Drives shall be sized for 150 percent of the installed motor horsepower. The variable pitch motor drive must be factory set to the specified fan RPM.

Product - Fan shall be model AFB-S as manufactured by Loren Cook Company of Springfield, Missouri and AFBV-S when provided with a vane section.



AFB-S/AFBV-S Dimension Data

AFB-S Size	A	B	C	D	E	F	G	H	ODP Motor Frame	Approx. Ship Wt. Lbs.*
12	12-7/8	15-5/8	14-5/8	12 ga.	22	5/16	6	24-5/8	145T	84
14	14-7/8	17-5/8	16-5/8	12 ga.	22	5/16	6	25-5/8	182T	91
16	16-7/8	19-5/8	18-5/8	12 ga.	25	5/16 x 5/8	6	30-1/8	182T	119
18	18-7/8	21-5/8	20-5/8	12 ga.	25	5/16 x 5/8	6	31-1/8	184T	136
20	20-7/8	23-5/8	22-3/8	12 ga.	31	5/16 x 5/8	6	32-1/8	184T	169
24	24-7/8	29-1/8	26-7/8	10 ga.	31	7/16 x 3/4	6	39-7/8	213T	231
28	28-7/8	33-1/8	30-7/8	10 ga.	31	7/16 x 3/4	6	41-7/8	215T	265
32	33	37-1/4	35	10 ga.	34	7/16 x 3/4	6	45-1/4	254T	350
36	37	41-3/8	39	10 ga.	34	7/16 x 3/4	6	47-1/4	256T	385

All dimensions in inches. *Less motor.

Disconnect Switches

NEMA 1 - Indoor general purpose.

NEMA 1 (Lockable) - Indoor general purpose with locking capability.

NEMA 3R - Exterior mount, rain-tight.

NEMA 4 - Watertight and dust-tight.

NEMA 7 and NEMA 9 - Lockable, indoor, explosion proof.



NEMA 1



**NEMA 1
(lockable)**



NEMA 4



NEMA 3R



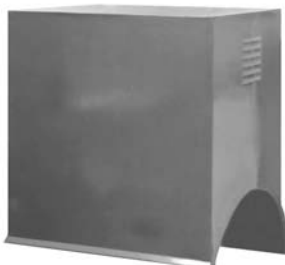
**NEMA 7
NEMA 9**

Belt Guard



A belt guard is designed to cover the top, front and sides of the drive assembly. Belt guards are constructed of minimum 18 gauge Lorenized® steel and have an open back to allow for inspection or belt tightening. Belt guards are factory installed.

Motor Cover



The motor cover encloses the motor and drive assembly and serves as an OSHA belt guard. The motor cover is constructed of 18 gauge Lorenized® steel. Motor covers are factory installed.

Inlet/Outlet Companion Flange



Inlet/outlet companion Flanges are available for use in conjunction with the standard flanged inlet/outlet. The inlet/outlet companion flange is attached to the adjacent ductwork to provide an exact mate to the flanged connection on the fan.

Inlet/Outlet Guard



Inlet/outlet guards are used in non-ducted installations to protect personnel and prevent debris from entering the fan.

Inlet/Outlet Flex Duct Connector



Flex duct connectors are available for the inlet or outlet of the AFD/AFB. These connectors provide a flexible connection between the fan and the attached ductwork. This reduces the transmission of noise and vibration to the ductwork as well as allowing for slight misalignment and easy removal of the fan without disturbing the rigid ductwork. Flex duct connectors are constructed of reinforced neoprene fabric and aluminum bands. Flex duct connectors are not for use in temperatures above 250°F. Not available in stainless steel.

Mounting Feet

Mounting feet, bolted to the inlet and outlet flanges, provide a solid base for mounting to the floor, ceiling or wall. The mounting feet can be used with vibration isolators.

Mounting Brackets

Mounting brackets are securely welded in place in either the vertical or horizontal discharge configurations and are based upon the specific location requirements. The bracket design allows for use with vibration isolators in all configurations, when required.

Inlet Bell

An inlet bell provides for more uniform airflow to the fan blades and is normally used when no inlet ductwork is present. When a non-ducted tube axial fan is installed without an inlet bell, system effect will occur due to the uneven loading of the fan blades.

Inlet Cone/Outlet Cone

Normally used to adapt ductwork to a specific size tube axial fan. Depending on the location of the installation, the velocity pressure change can equate to static pressure regain or static pressure loss.

Sound Muffler

A sound muffler can be mounted on both the inlet or outlet of the unit and is used for sound critical applications. The sound muffler is not for use with wet atmospheres, velocities greater than 5000 FPM, and temperatures above 250°F. Not available in stainless steel.

Butterfly Dampers

Butterfly dampers provide for a weatherproof closure for outdoor vertical discharge applications. The dampers must be used in conjunction with optional curb panel for roof curb mounting. Optional fusible links are available with butterfly damper.

Curb Panel

A curb panel, when used in conjunction with optional butterfly dampers, converts the unit to a tube axial roof upblast unit. The curb panel is used for mounting on a roof curb.

Access Door

An Access Door allows for ease of access to the bearing cover when the unit is installed in a system.

Bombay Construction

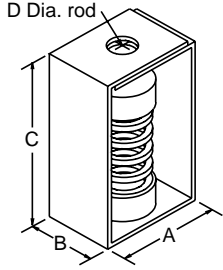
Bombay construction provides for access to the drive, belts, bearings, propeller, and the shaft when the unit is installed in a system. This is a special construction unit. Consult the factory for additional information and dimensions.

Thrust Restraints Kit

Thrust restraints minimize fan movement when the unit thrust ratio exceeds weight ratio. Thrust restraints require isolators. The kit includes two mounting brackets, welded to the fan housing, and two brackets shipped loose for duct work mounting.

Accessories

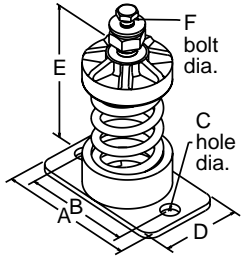
Spring Isolator - Ceiling Mounted



Unit	Rated Load (lbs.)	Spring. Rate (lbs./in.)	A	B	C	D	Approx. Ship Wt. Lbs.
SC-35	35	23	3-11/16	2-1/4	5-1/4	1/2	2
SC-70	70	51	3-11/16	2-1/4	5-1/4	1/2	2
SC-125	125	100	3-11/16	2-1/4	5-1/4	1/2	2
SC-245	245	206	3-11/16	2-1/4	5-1/4	1/2	2
SC-370	370	370	3-11/16	2-1/4	5-1/4	1/2	2
SC-500	500	500	3-11/16	2-1/4	5-1/4	5/8	2
SC-1000	1000	870	5-9/16	3-5/8	8-9/16	3/4	5

All dimensions in inches.

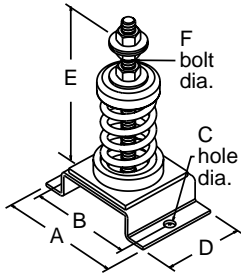
Free Standing Spring Isolator - Floor Mounted



Unit	Rated Load (lbs.)	Spring. Rate (lbs./in.)	A	B	C	D	E	F	Approx. Ship Wt. Lbs.
SF-70	70	51	2-5/8	**	11/16	2-5/8	3-1/2	3/8	2
SF-120	120	98	4-1/2	3-1/2	9/16	2-1/2	3-1/2	3/8	2
SF-220	220	196	4-1/2	3-1/2	9/16	2-1/2	3-1/2	3/8	2
SF-370	370	366	4-1/2	3-1/2	9/16	2-1/2	3-1/2	3/8	2
SF-625	625	419	7	5-1/2	11/16	4	4-1/2	3/8	4
SF-1250	1250	1096	7	5-1/2	11/16	4	4-3/4	3/8	5

All dimensions in inches. Isolators listed are designed to provide a minimum of 50 percent of overload capacity. A single hole is provided at the center of the plate.

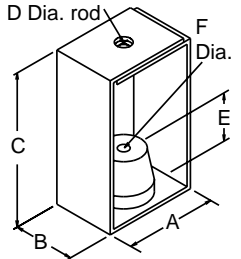
Restrained Spring Isolator - Floor Mounted



Unit	Rated Load (lbs.)	Spring. Rate (lbs./in.)	A	B	C	D	E	F	Approx. Ship Wt. Lbs.
RS-70	70	51	4-3/4	3-3/4	7/16	3	5	1/2	3
RS-120	120	98	4-3/4	3-3/4	7/16	3	5	1/2	3
RS-220	220	196	4-3/4	3-3/4	7/16	3	5	1/2	3
RS-370	370	366	4-3/4	3-3/4	7/16	3	5	1/2	3
RS-625	625	419	8	6-1/2	11/16	4	7-1/2	5/8	6
RS-1250	1250	1096	8	6-1/2	11/16	4	7-1/2	5/8	7

All dimensions in inches. Isolators listed are designed to provide a minimum of 50 percent of overload.

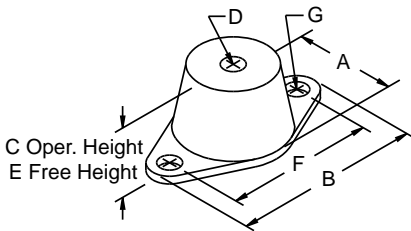
Rubber-in-Shear Isolator - Ceiling Mounted



Unit	Rated Load (lbs.)	A	B	C	D	E	F	Approx. Ship Wt. Lbs.
RC-75	75	2-5/32	1-1/2	2-23/32	11/16	15/32	3/8	1
RC-125	125	2-5/32	1-1/2	2-23/32	11/16	15/32	3/8	1
RC-175	175	3-5/32	2-1/4	5-11/16	3/4	1-31/64	3/4	2
RC-300	300	3-5/32	2-1/4	5-11/16	3/4	1-31/64	3/4	2
RC-450	450	3-5/32	2-1/4	5-11/16	3/4	1-31/64	3/4	2
RC-700	700	4	4-3/4	8	3/4	1-1/2	3/4	3
RC-1100	1100	4	4-3/4	8	3/4	1-1/2	3/4	5

All dimensions in inches.

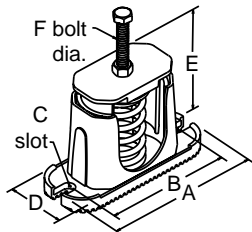
Rubber-in-Shear Isolator - Floor Mounted



Unit	Rated Load (lbs.)	A	B	C	D	E	F	G	Approx. Ship Wt. Lbs.
RF-55	55	1-13/16	3-3/16	1-7/64	5/16 NC	1-1/2	2-3/8	11/32	1
RF-120	120	2-3/8	3-7/8	1-1/4	3/8 NC	1-3/4	3	11/32	1
RF-220	220	2-3/8	3-7/8	1-1/4	3/8 NC	1-3/4	3	11/32	1
RF-375	375	2-3/8	3-7/8	1-1/4	3/8 NC	1-3/4	3	11/32	1
RF-600	600	3-1/4	5-1/2	2	1/2 NC	2-1/2	4-1/8	9/16	2
RF-1100	1100	3-1/4	5-1/2	2	1/2 NC	2-1/2	4-1/8	9/16	2

All dimensions in inches.

Housed Spring Isolator - Floor Mounted



Unit	Rated Load (lbs.)	Spring. Rate (lbs./in.)	A	B	C	D	E	F	Approx. Ship Wt. Lbs.
HF-120	120	98	6-1/8	5-5/8	5/16	2-1/8	3-1/2	3/8	2
HF-220	220	196	6-1/8	5-5/8	5/16	2-1/8	3-1/2	3/8	2
HF-320	320	302	6-1/8	5-5/8	5/16	2-1/8	3-1/2	3/8	2
HF-370	370	366	6-1/8	5-5/8	5/16	2-1/8	3-1/2	3/8	2
HF-500	500	500	6-1/8	5-5/8	5/16	2-1/8	3-1/2	3/8	2
HF-700	700	700	6-1/8	5-5/8	5/16	2-1/8	3-1/2	3/8	2
HF-800	800	588	9	7-1/2	7/16	3-1/2	5	5/8	13
HF-1000	1000	826	9	7-1/2	7/16	3-1/2	5	5/8	13

All dimensions in inches. Isolators listed are designed to provide a minimum of 50 percent of overload capacity.

AFD-C

Unit	Max BHP	RPM	Mtr. HP	CFM vs. Static Pressure										
				0.000" SP	0.500" SP	1.000" SP	1.500" SP	2.000" SP	2.500" SP	3.000" SP	3.500" SP	4.000" SP	4.500" SP	5.000" SP
12AF17D-C	0.10	1725	1/4	1154	223									
12AF34D-C	0.57	3450	1/2	2308	2035	1716								
16AF17D-C	0.50	1725	1/2	2875	2392	1211								
16AF34D-C	3.28	3450	3	5750	5523	5290	5047	4783	4481					
18AF11D-C	0.20	1140	1/4	2656	820									
18AF17D-C	0.81	1725	3/4	4019	3345	1497	829							
24AF08D-C	0.35	860	1/3	4459	1438									
24AF11D-C	0.89	1140	1	5911	4515	1586								
28AF08D-C	0.96	860	1	7155	3852	1393								
28AF11D-C	2.06	1140	2	9484	7990	4386	2550							
32AF08D-C	2.20	860	2	10663	8184	3445	1265							
32AF11D-C	5.02	1160	5	14383	12671	10537	5776	4043	2298					
36AF08D-C	3.10	870	3	15041	12492	6428	3485							
36AF11D-C	8.04	1160	7-1/2	20055	18345	16109	10746	7495	5269	3539				
44AF05D-C	1.67	575	2	17969	12174									
44AF06D-C	4.49	690	5	21562	17747	9370	5412							
44AF08D-C	7.86	870	7-1/2	27187	24494	20574	12440	9054						
44AF11D-C	14.96	1170	15	36562	34712	32475	29719	25856	18114					
48AF06D-C	4.63	690	5	27876	23920	14381								
48AF08D-C	10.37	850	10	34341	31402	27347	18005	13449						
48AF11D-C	25.60	1170	25	47269	45282	42961	40186	36890	31170	23105	20060			
54AF06D-C	9.23	690	10	39488	35284	28942	17127							
54AF08D-C	21.57	870	20	49789	46685	42747	37640	25775	20647	16530				
54AF11D-C	42.17	1160	40	66386	64166	61633	58788	55466	51638	45913	35142	30322		
60AF06D-C	25.35	690	25	53945	49451	43300	29279	21648	15997	11516	7312			
60AF08D-C	42.36	870	40	68018	64647	60587	55603	49008	34506	28914	24354	19661	16344	

AFDV-C

Unit	Max BHP	RPM	Mtr. HP	CFM vs. Static Pressure										
				0.000" SP	0.500" SP	1.000" SP	1.500" SP	2.000" SP	2.500" SP	3.000" SP	3.500" SP	4.000" SP	4.500" SP	5.000" SP
12AF17DV-C	0.09	1725	1/4	1157	337									
12AF34DV-C	0.52	3450	1/2	2313	2058	1763								
16AF17DV-C	0.42	1725	1/2	2836	2353	1301								
16AF34DV-C	3.30	3450	3	5671	5420	5187	4956	4705	4421	4095	3641			
18AF11DV-C	0.19	1140	1/4	2619	1136									
18AF17DV-C	0.79	1725	3/4	3963	3390	2072	1099							
24AF08DV-C	0.31	860	1/3	4427	1954									
24AF11DV-C	0.81	1140	1	5869	4621	2100								
28AF08DV-C	0.92	860	1	7052	5188	1823								
28AF11DV-C	1.86	1140	2	9348	8101	6327	3143							
32AF08DV-C	2.12	860	2	10557	8489	3896	1668							
32AF11DV-C	4.76	1160	5	14240	12775	11112	8367	4421	2859					
36AF08DV-C	2.96	870	3	14941	12693	9596	4398							
36AF11DV-C	7.77	1160	7-1/2	19922	18353	16511	14400	10224	6559	4740				
44AF05DV-C	1.65	575	2	17981	13542									
44AF06DV-C	5.48	690	5	21577	18277	12361	6075	2948						
44AF08DV-C	7.14	870	7-1/2	27206	24758	21625	17023	10317						
44AF11DV-C	15.59	1170	15	36588	34836	32909	30690	27978	24657	19340				
48AF06DV-C	5.48	690	5	27896	24412	19233	10502							
48AF08DV-C	9.38	850	10	34365	31664	28373	23880	16041						
48AF11DV-C	25.24	1170	25	47302	45407	43359	41098	38461	35335	31605	25856	19980		
54AF06DV-C	10.26	690	10	39516	35715	30722	22554	13623						
54AF08DV-C	19.59	870	20	49824	46915	43621	39575	34414	25979	18833				
54AF11DV-C	41.87	1160	40	66432	64299	62037	59607	56940	53884	50376	46371	41455	33784	
60AF06DV-C	26.82	690	25	53983	49844	44842	38076	26368	18154	12882	8764	5089		
60AF08DV-C	43.59	870	40	68066	64869	61362	57346	52462	46513	37330	27928	22649	18306	14617

Performance shown is for installation type D: ducted inlet, ducted outlet. Performance ratings do not include the effects of appurtenances in the airstream.

12 AFB-C/AFBV-C Data

Prop Diameter - 12.69"

Prop Construction -

Cast Aluminum

Maximum Frame - 145T

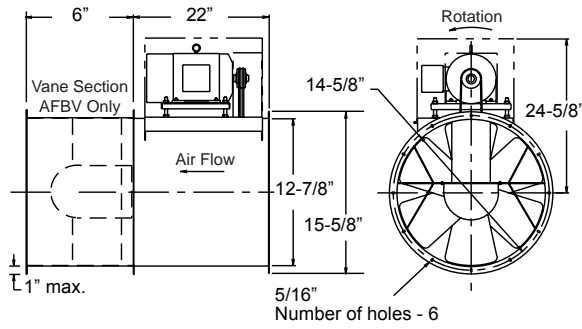
Tip Speed (FPM) = 3.32

x RPM

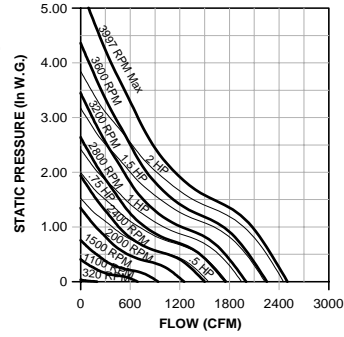
Approx. Shipping Wt. -

AFB-C - 84 lbs.

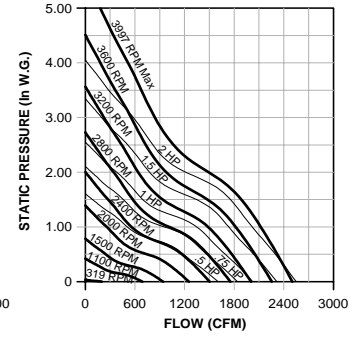
AFBV-C - 103 lbs.



12 AFB-C



12 AFBV-C



12 AFB-C

CFM	OV	0.000" SP		0.500" SP		1.000" SP		1.500" SP		2.000" SP		2.500" SP		3.000" SP		3.500" SP	
		RPM	BHP	RPM	BHP	RPM	BHP	RPM	BHP	RPM	BHP	RPM	BHP	RPM	BHP	RPM	BHP
200	221	320	0.00	1509	0.15	2020	0.38	2410	0.67	2738	0.99	3026	1.35	3286	1.74	3524	2.15
300	331	480	0.00	1657	0.19	2159	0.44	2551	0.75	2881	1.10	3171	1.49	3433	1.91		
400	442	639	0.01	1799	0.23	2306	0.51	2690	0.84	3019	1.22	3310	1.63	3573	2.08		
500	553	799	0.02	1921	0.27	2455	0.59	2840	0.95	3162	1.35	3449	1.78				
600	663	959	0.03	2030	0.31	2588	0.67	2990	1.07	3314	1.50	3597	1.96				
700	774	1119	0.05	2128	0.35	2708	0.74	3126	1.19	3463	1.66	3750	2.15				
800	884	1279	0.07	2215	0.39	2820	0.83	3250	1.30	3599	1.81						
900	995	1439	0.10	2289	0.43	2924	0.91	3366	1.42	3724	1.97						
1000	1106	1599	0.14	2359	0.47	3019	1.00	3475	1.54	3841	2.12						
1100	1216	1759	0.18	2436	0.51	3107	1.08	3578	1.67								
1200	1327	1918	0.23	2527	0.57	3184	1.16	3675	1.80								
1300	1437	2078	0.30	2632	0.63	3256	1.23	3765	1.92								
1400	1548	2238	0.37	2743	0.71	3326	1.31	3847	2.05								
1500	1659	2398	0.46	2868	0.81	3400	1.39	3922	2.16								
1600	1769	2558	0.56	2999	0.91	3480	1.49										
1700	1880	2718	0.67	3134	1.04	3576	1.60										
1800	1990	2878	0.79	3271	1.17	3678	1.73										
1900	2101	3038	0.93	3413	1.33	3790	1.88										
2000	2212	3197	1.08	3555	1.50	3905	2.05										
2100	2322	3357	1.26	3701	1.69												
2200	2433	3517	1.44	3844	1.89												
2300	2543	3677	1.65	3993	2.11												
2400	2654	3837	1.87														
2500	2765	3997	2.12														

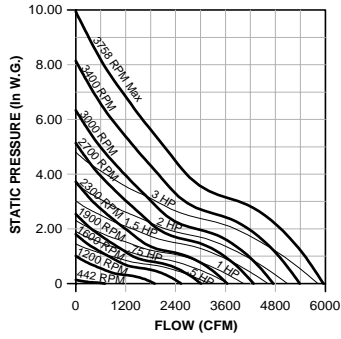
Performance shown is for installation type D: ducted inlet, ducted outlet. Power rating (BHP) includes drive losses. Performance ratings do not include the effects of appurtenances in the airstream.

12 AFBV-C

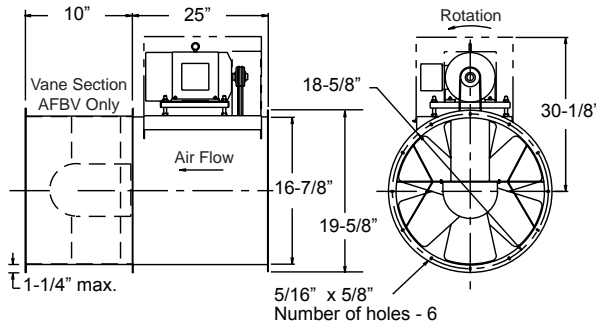
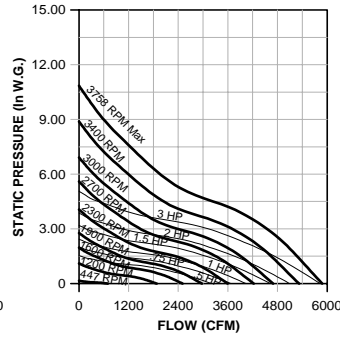
CFM	OV	0.000" SP		0.500" SP		1.000" SP		1.500" SP		2.000" SP		2.500" SP		3.000" SP		3.500" SP	
		RPM	BHP	RPM	BHP	RPM	BHP	RPM	BHP	RPM	BHP	RPM	BHP	RPM	BHP	RPM	BHP
200	221	319	0.00	1435	0.13	1931	0.33	2313	0.57	2632	0.85	2914	1.16	3170	1.51	3404	1.87
300	331	479	0.00	1573	0.16	2051	0.37	2429	0.63	2751	0.94	3035	1.27	3291	1.64	3526	2.03
400	442	639	0.01	1703	0.19	2191	0.42	2556	0.70	2870	1.02	3151	1.37	3406	1.76	3642	2.17
500	553	798	0.02	1810	0.22	2327	0.49	2697	0.79	3005	1.12	3278	1.48	3527	1.88		
600	663	958	0.03	1896	0.25	2449	0.57	2833	0.89	3147	1.24	3418	1.62	3663	2.03		
700	774	1118	0.04	1968	0.27	2553	0.63	2958	1.00	3281	1.39	3558	1.79				
800	884	1277	0.06	2038	0.30	2643	0.68	3070	1.11	3406	1.53	3691	1.97				
900	995	1437	0.09	2118	0.33	2720	0.73	3167	1.19	3520	1.67	3815	2.16				
1000	1106	1597	0.12	2211	0.38	2790	0.77	3253	1.26	3621	1.79						
1100	1216	1756	0.16	2320	0.44	2859	0.82	3330	1.33	3711	1.89						
1200	1327	1916	0.21	2439	0.51	2933	0.88	3401	1.40	3793	1.99						
1300	1438	2076	0.27	2564	0.59	3017	0.96	3469	1.47	3867	2.08						
1400	1548	2235	0.33	2693	0.68	3114	1.05	3541	1.55	3937	2.16						
1500	1659	2395	0.41	2826	0.78	3219	1.17	3618	1.65								
1600	1769	2555	0.49	2962	0.89	3333	1.30	3703	1.77								
1700	1880	2714	0.59	3101	1.01	3453	1.45	3800	1.91								
1800	1991	2874	0.70	3242	1.14	3577	1.61	3902	2.08								
1900	2101	3034	0.83	3385	1.28	3705	1.78										
2000	2212	3193	0.97	3527	1.44	3835	1.97										
2100	2323	3353	1.12	3674	1.61	3968	2.16										
2200	2433	3513	1.29	3819	1.80												
2300	2544	3672	1.47	3968	2.01												
2400	2654	3832	1.67														
2500	2765	3992	1.89														
2600	2876	4151	2.12														

Performance shown is for installation type D: ducted inlet, ducted outlet. Power rating (BHP) includes drive losses. Performance ratings do not include the effects of appurtenances in the airstream.

16 AFB-C



16 AFBV-C



Prop Diameter - 16.69"
 Prop Construction - Cast Aluminum
 Maximum Frame - 182T
 Tip Speed (FPM) = 4.37 x RPM
 Approx. Shipping Wt. -
 AFB-C - 119 lbs.
 AFBV-C - 154 lbs.

16 AFB-C

CFM	OV	0.000" SP		0.500" SP		1.000" SP		1.500" SP		2.000" SP		2.500" SP		3.000" SP		4.000" SP	
		RPM	BHP	RPM	BHP	RPM	BHP	RPM	BHP	RPM	BHP	RPM	BHP	RPM	BHP	RPM	BHP
700	450	442	0.01	1201	0.19	1556	0.46	1829	0.79	2059	1.16	2261	1.56	2444	2.00	2771	2.98
950	611	600	0.01	1333	0.23	1679	0.53	1950	0.89	2181	1.29	2384	1.73	2566	2.20	2891	3.23
1200	772	758	0.03	1435	0.27	1811	0.60	2075	0.98	2303	1.42	2506	1.89	2689	2.40		
1450	933	916	0.05	1499	0.30	1935	0.69	2207	1.10	2429	1.55	2628	2.05	2810	2.59		
1700	1094	1074	0.07	1561	0.33	2030	0.76	2335	1.22	2563	1.71	2758	2.22	2936	2.78		
1950	1255	1232	0.11	1649	0.38	2098	0.82	2441	1.34	2690	1.88	2891	2.43	3068	3.00		
2200	1416	1390	0.16	1755	0.45	2155	0.88	2521	1.44	2799	2.04	3017	2.64	3201	3.26		
2450	1577	1547	0.22	1873	0.53	2222	0.95	2584	1.53	2885	2.17	3125	2.84				
2700	1738	1705	0.30	1997	0.63	2309	1.06	2640	1.62	2953	2.29	3213	3.01				
2950	1899	1863	0.39	2129	0.74	2411	1.18	2706	1.73	3010	2.41	3284	3.16				
3200	2060	2021	0.50	2264	0.86	2523	1.33	2789	1.87	3069	2.53						
3450	2221	2179	0.62	2404	1.01	2641	1.49	2885	2.04	3137	2.69						
3700	2382	2337	0.77	2546	1.18	2764	1.67	2991	2.24	3222	2.88						
3950	2543	2495	0.94	2690	1.37	2893	1.88	3104	2.47	3318	3.11						
4200	2704	2653	1.13	2836	1.58	3025	2.11	3223	2.71								
4450	2865	2811	1.34	2983	1.81	3161	2.36	3344	2.98								
4700	3026	2968	1.58	3133	2.08	3298	2.64	3471	3.28								
4950	3186	3126	1.84	3282	2.37	3439	2.95										
5200	3347	3284	2.13	3434	2.69	3581	3.29										
5450	3508	3442	2.46	3586	3.04												
5700	3669	3600	2.81														
5950	3830	3758	3.20														

Performance shown is for installation type D: ducted inlet, ducted outlet. Power rating (BHP) includes drive losses. Performance ratings do not include the effects of appurtenances in the airstream.

16 AFBV-C

CFM	OV	0.000" SP		0.500" SP		1.000" SP		1.500" SP		2.000" SP		2.500" SP		3.000" SP		4.000" SP	
		RPM	BHP	RPM	BHP	RPM	BHP	RPM	BHP	RPM	BHP	RPM	BHP	RPM	BHP	RPM	BHP
700	450	447	0.01	1140	0.16	1489	0.40	1749	0.70	1968	1.03	2163	1.40	2338	1.80	2650	2.69
950	611	607	0.01	1219	0.17	1597	0.44	1866	0.76	2087	1.12	2281	1.52	2455	1.95	2766	2.89
1200	772	767	0.03	1284	0.20	1684	0.47	1970	0.81	2199	1.20	2396	1.63	2573	2.08	2884	3.08
1450	933	927	0.05	1365	0.23	1751	0.50	2056	0.86	2299	1.26	2504	1.71	2685	2.20	3001	3.25
1700	1094	1087	0.07	1465	0.27	1817	0.55	2125	0.91	2382	1.33	2599	1.79	2788	2.30		
1950	1255	1246	0.11	1578	0.33	1894	0.62	2189	0.97	2451	1.40	2678	1.87	2877	2.39		
2200	1416	1406	0.16	1702	0.39	1987	0.70	2258	1.06	2514	1.48	2745	1.96	2951	2.48		
2450	1577	1566	0.22	1834	0.47	2092	0.79	2341	1.16	2582	1.58	2808	2.06	3017	2.59		
2700	1738	1726	0.30	1973	0.57	2205	0.90	2436	1.29	2659	1.71	2876	2.19	3081	2.72		
2950	1899	1885	0.39	2115	0.68	2326	1.02	2540	1.43	2748	1.86	2950	2.34	3148	2.88		
3200	2060	2045	0.50	2259	0.80	2453	1.16	2651	1.58	2846	2.04	3036	2.53	3222	3.06		
3450	2221	2205	0.62	2406	0.95	2586	1.32	2769	1.76	2952	2.23	3131	2.73	3306	3.27		
3700	2382	2365	0.77	2555	1.12	2723	1.50	2892	1.95	3063	2.44	3233	2.96				
3950	2543	2525	0.93	2705	1.30	2864	1.71	3021	2.17	3180	2.67	3341	3.21				
4200	2704	2684	1.12	2855	1.51	3006	1.93	3154	2.41	3303	2.92						
4450	2865	2844	1.33	3007	1.75	3152	2.19	3290	2.67	3430	3.20						
4700	3026	3004	1.57	3158	2.01	3298	2.47	3430	2.97								
4950	3186	3164	1.84	3312	2.30	3445	2.77	3572	3.29								
5200	3347	3324	2.13	3466	2.61	3594	3.11										
5450	3508	3483	2.45	3619	2.95												
5700	3669	3643	2.81														
5950	3830	3803	3.19														

Performance shown is for installation type D: ducted inlet, ducted outlet. Power rating (BHP) includes drive losses. Performance ratings do not include the effects of appurtenances in the airstream.

18 AFB-C/AFBV-C Data

Prop Diameter - 18.69"

Prop Construction -

Cast Aluminum

Maximum Frame - 213T

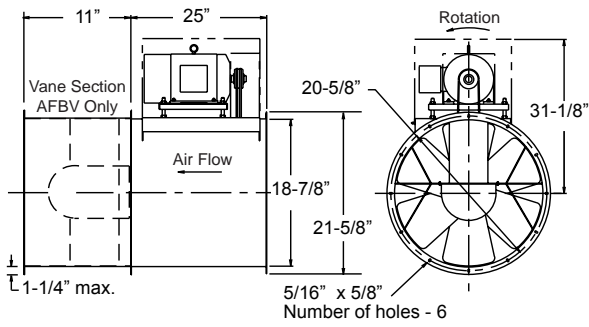
Tip Speed (FPM) = 4.89

x RPM

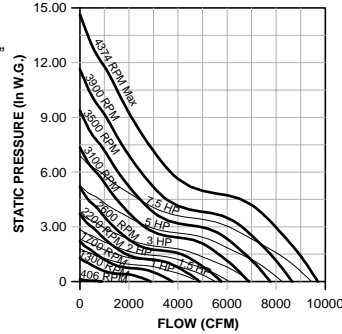
Approx. Shipping Wt. -

AFB-C - 136 lbs.

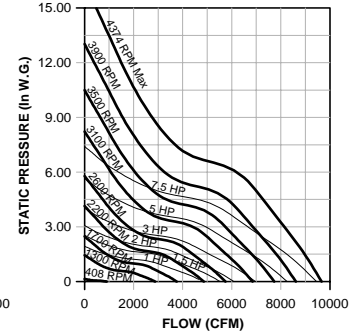
AFBV-C - 177 lbs.



18 AFB-C



18 AFBV-C



18 AFB-C

CFM	OV	0.000" SP		0.500" SP		1.000" SP		2.000" SP		3.000" SP		4.000" SP		5.000" SP		6.000" SP	
		RPM	BHP	RPM	BHP	RPM	BHP	RPM	BHP	RPM	BHP	RPM	BHP	RPM	BHP	RPM	BHP
900	463	406	0.01	1200	0.30	1543	0.70	2021	1.73	2381	2.97	2683	4.38	2949	5.92	3192	7.61
1300	669	586	0.02	1333	0.36	1707	0.85	2194	2.00	2561	3.37	2870	4.94	3139	6.65		
1700	874	767	0.04	1399	0.41	1848	0.99	2359	2.29	2732	3.78	3043	5.45	3316	7.29		
2100	1080	947	0.08	1444	0.44	1940	1.09	2513	2.59	2897	4.23	3212	6.02	3487	7.96		
2500	1286	1127	0.14	1533	0.52	1988	1.16	2640	2.86	3052	4.68	3375	6.62				
2900	1492	1308	0.22	1661	0.63	2032	1.23	2732	3.07	3188	5.10	3528	7.21				
3300	1698	1488	0.32	1803	0.77	2109	1.36	2789	3.21	3294	5.45	3666	7.78				
3700	1904	1669	0.45	1950	0.93	2217	1.54	2828	3.34	3370	5.72						
4100	2110	1849	0.61	2102	1.11	2349	1.78	2874	3.49	3422	5.93						
4500	2315	2029	0.81	2258	1.33	2489	2.05	2945	3.72	3460	6.11						
4900	2521	2210	1.05	2419	1.59	2634	2.35	3037	4.02	3502	6.32						
5300	2727	2390	1.33	2584	1.90	2783	2.68	3156	4.43	3557	6.59						
5700	2933	2571	1.65	2751	2.26	2935	3.05	3287	4.90	3650	7.05						
6100	3139	2751	2.02	2919	2.66	3091	3.48	3426	5.42	3748	7.54						
6500	3345	2931	2.45	3090	3.12	3249	3.95	3569	5.99	3868	8.15						
6900	3551	3112	2.93	3261	3.64	3409	4.47	3714	6.59								
7300	3756	3292	3.47	3435	4.22	3574	5.07	3862	7.24								
7700	3962	3473	4.07	3607	4.85	3738	5.72	4012	7.94								
8100	4168	3653	4.74	3781	5.56	3906	6.46										
8500	4374	3833	5.48	3958	6.35	4074	7.25										
8900	4580	4014	6.29	4133	7.20	4245	8.14										
9300	4786	4194	7.17	4307	8.11												
9700	4992	4374	8.14														

Performance shown is for installation type D: ducted inlet, ducted outlet. Power rating (BHP) includes drive losses. Performance ratings do not include the effects of appurtenances in the airstream.

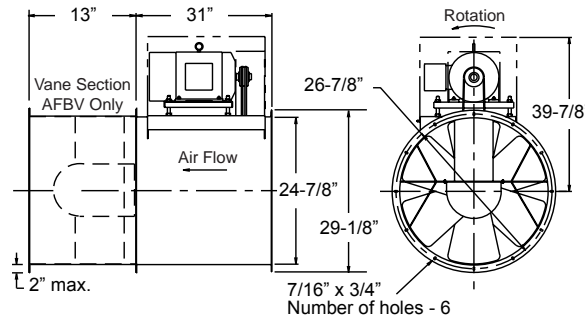
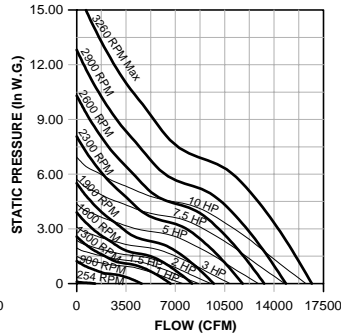
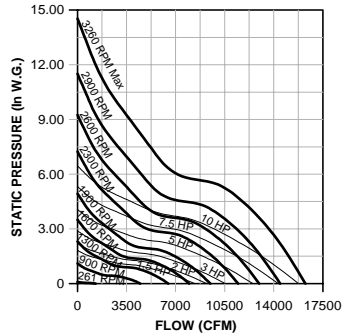
18 AFBV-C

CFM	OV	0.000" SP		0.500" SP		1.000" SP		2.000" SP		3.000" SP		4.000" SP		5.000" SP		6.000" SP	
		RPM	BHP	RPM	BHP	RPM	BHP	RPM	BHP	RPM	BHP	RPM	BHP	RPM	BHP	RPM	BHP
900	463	408	0.01	1114	0.23	1451	0.59	1908	1.49	2253	2.60	2541	3.87	2793	5.29	3021	6.83
1300	669	589	0.02	1195	0.26	1584	0.67	2062	1.67	2416	2.88	2710	4.24	2967	5.75	3198	7.39
1700	874	770	0.04	1245	0.29	1672	0.73	2198	1.84	2564	3.15	2866	4.62	3128	6.22	3362	7.95
2100	1080	951	0.08	1348	0.36	1718	0.77	2308	1.98	2698	3.39	3009	4.96	3277	6.67		
2500	1286	1132	0.14	1485	0.45	1779	0.85	2377	2.08	2809	3.60	3138	5.28	3415	7.09		
2900	1492	1313	0.22	1629	0.57	1884	0.98	2422	2.17	2889	3.77	3247	5.56	3539	7.48		
3300	1698	1495	0.32	1777	0.70	2017	1.16	2474	2.30	2940	3.90	3327	5.78	3644	7.81		
3700	1904	1676	0.45	1929	0.86	2158	1.36	2556	2.51	2983	4.05	3383	5.97	3722	8.09		
4100	2110	1857	0.61	2086	1.05	2303	1.60	2664	2.77	3040	4.27	3424	6.14				
4500	2315	2038	0.81	2246	1.28	2451	1.87	2795	3.12	3123	4.58	3470	6.37				
4900	2521	2219	1.04	2410	1.54	2601	2.16	2934	3.50	3226	4.96	3537	6.71				
5300	2727	2400	1.32	2577	1.85	2755	2.50	3076	3.93	3352	5.44	3631	7.17				
5700	2933	2582	1.65	2746	2.21	2911	2.88	3221	4.40	3488	5.99	3737	7.69				
6100	3139	2763	2.02	2917	2.61	3071	3.31	3367	4.91	3628	6.59						
6500	3345	2944	2.44	3089	3.07	3233	3.79	3516	5.47	3770	7.23						
6900	3551	3125	2.92	3262	3.58	3396	4.32	3667	6.07	3915	7.94						
7300	3756	3306	3.46	3437	4.16	3564	4.93	3820	6.73								
7700	3962	3487	4.05	3610	4.79	3730	5.58	3975	7.44								
8100	4168	3668	4.72	3787	5.50	3900	6.31	4133	8.23								
8500	4374	3850	5.46	3964	6.28	4070	7.11										
8900	4580	4031	6.26	4140	7.12	4243	8.00										
9300	4786	4212	7.15	4316	8.03												
9700	4992	4393	8.11														

Performance shown is for installation type D: ducted inlet, ducted outlet. Power rating (BHP) includes drive losses. Performance ratings do not include the effects of appurtenances in the airstream.

24 AFB-C

24 AFBV-C



Prop Diameter - 24.69"
Prop Construction -
 Cast Aluminum
Maximum Frame - 215T
Tip Speed (FPM) = 6.46
 x RPM
Approx. Shipping Wt. -
 AFB-C - 231 lbs.
 AFBV-C - 310 lbs.

24 AFB-C

CFM	OV	0.000" SP		0.500" SP		1.000" SP		2.000" SP		3.000" SP		4.000" SP		5.000" SP		6.000" SP	
		RPM	BHP	RPM	BHP	RPM	BHP	RPM	BHP	RPM	BHP	RPM	BHP	RPM	BHP	RPM	BHP
1300	385	261	0.01	835	0.37	1095	0.94	1467	2.43	1752	4.27	1990	6.38	2198	8.71		
1950	577	391	0.02	931	0.45	1200	1.08	1566	2.70	1851	4.70	2093	6.98	2305	9.50		
2600	770	522	0.04	969	0.50	1299	1.24	1670	2.99	1951	5.10	2190	7.52	2402	10.20		
3250	963	652	0.09	1007	0.56	1354	1.36	1778	3.31	2057	5.54	2293	8.07	2502	10.90		
3900	1155	782	0.15	1083	0.67	1377	1.44	1862	3.61	2164	6.02	2400	8.67				
4550	1348	913	0.24	1173	0.81	1420	1.57	1913	3.84	2255	6.49	2507	9.32				
5200	1540	1043	0.36	1271	0.97	1492	1.77	1937	3.99	2319	6.88	2598	9.94				
5850	1733	1173	0.51	1376	1.18	1576	2.02	1963	4.17	2356	7.16	2665	10.50				
6500	1926	1304	0.70	1486	1.42	1668	2.31	2015	4.47	2376	7.38	2708	10.90				
7150	2118	1434	0.93	1601	1.71	1766	2.65	2086	4.87	2404	7.67						
7800	2311	1565	1.21	1718	2.04	1869	3.02	2167	5.33	2452	8.08						
8450	2503	1695	1.54	1838	2.43	1975	3.45	2253	5.85	2519	8.64						
9100	2696	1825	1.92	1958	2.87	2086	3.94	2345	6.44	2596	9.29						
9750	2889	1956	2.37	2081	3.38	2199	4.48	2441	7.08	2679	10.00						
10400	3081	2086	2.87	2204	3.95	2315	5.10	2542	7.80	2767	10.80						
11050	3274	2217	3.44	2328	4.58	2433	5.79	2646	8.58								
11700	3466	2347	4.09	2454	5.31	2552	6.55	2752	9.42								
12350	3659	2477	4.80	2579	6.09	2673	7.40	2862	10.40								
13000	3852	2608	5.61	2703	6.93	2792	8.29										
13650	4044	2738	6.49	2829	7.88	2917	9.34										
14300	4237	2869	7.46	2958	8.96	3040	10.40										
14950	4429	2999	8.53	3087	10.10												
15600	4622	3129	9.68														
16250	4815	3260	11.00														

Performance shown is for installation type D: ducted inlet, ducted outlet. Power rating (BHP) includes drive losses. Performance ratings do not include the effects of appurtenances in the airstream.

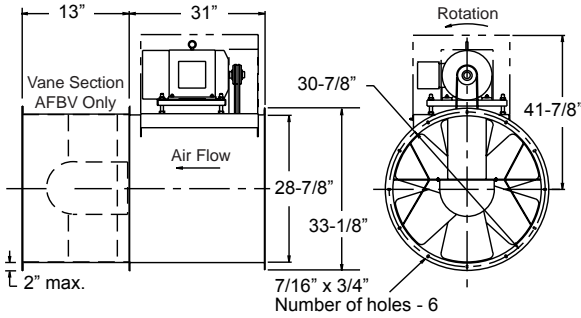
24 AFBV-C

CFM	OV	0.000" SP		0.500" SP		1.000" SP		2.000" SP		3.000" SP		4.000" SP		5.000" SP		6.000" SP	
		RPM	BHP	RPM	BHP	RPM	BHP	RPM	BHP	RPM	BHP	RPM	BHP	RPM	BHP	RPM	BHP
1300	385	254	0.01	770	0.31	1015	0.78	1363	2.04	1625	3.59	1845	5.39	2038	7.41	2212	9.63
1950	577	381	0.02	850	0.35	1105	0.88	1450	2.24	1719	3.92	1943	5.84	2139	7.97	2315	10.30
2600	770	508	0.04	891	0.39	1188	0.98	1540	2.44	1804	4.21	2030	6.24	2230	8.50	2409	10.90
3250	963	635	0.08	947	0.45	1237	1.05	1632	2.66	1896	4.52	2117	6.63	2315	8.98		
3900	1155	762	0.14	1031	0.55	1274	1.12	1701	2.84	1988	4.85	2211	7.06	2404	9.47		
4550	1348	889	0.22	1126	0.68	1334	1.25	1746	2.96	2063	5.13	2301	7.49	2499	10.00		
5200	1540	1016	0.33	1227	0.83	1414	1.44	1783	3.09	2116	5.34	2376	7.87	2588	10.60		
5850	1733	1144	0.47	1333	1.03	1505	1.68	1830	3.29	2154	5.51	2432	8.16	2660	11.00		
6500	1926	1271	0.64	1443	1.26	1602	1.95	1894	3.58	2192	5.73	2473	8.39				
7150	2118	1398	0.85	1556	1.54	1703	2.25	1974	3.96	2240	6.04	2508	8.63				
7800	2311	1525	1.11	1671	1.86	1808	2.62	2061	4.39	2302	6.46	2549	8.97				
8450	2503	1652	1.41	1788	2.23	1915	3.03	2155	4.89	2378	6.99	2602	9.44				
9100	2696	1779	1.76	1906	2.64	2025	3.50	2251	5.42	2463	7.61	2669	10.00				
9750	2889	1906	2.16	2025	3.11	2137	4.03	2351	6.01	2553	8.29	2745	10.80				
10400	3081	2033	2.62	2146	3.64	2251	4.62	2454	6.68	2646	9.03						
11050	3274	2160	3.14	2266	4.21	2367	5.28	2560	7.42	2743	9.84						
11700	3466	2287	3.73	2389	4.88	2484	6.00	2667	8.23	2842	10.70						
12350	3659	2414	4.39	2511	5.60	2601	6.78	2776	9.13								
13000	3852	2541	5.12	2632	6.38	2720	7.65	2887	10.10								
13650	4044	2668	5.92	2757	7.27	2838	8.57										
14300	4237	2795	6.81	2881	8.24	2959	9.60										
14950	4429	2922	7.78	3004	9.27	3080	10.70										
15600	4622	3049	8.84	3127	10.40												
16250	4815	3176	9.99														

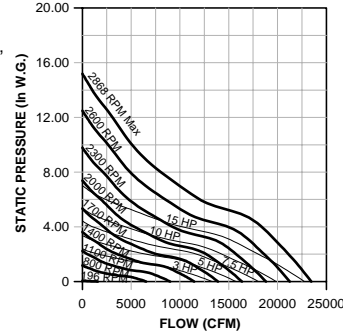
Performance shown is for installation type D: ducted inlet, ducted outlet. Power rating (BHP) includes drive losses. Performance ratings do not include the effects of appurtenances in the airstream.

28 AFB-C/AFBV-C Data

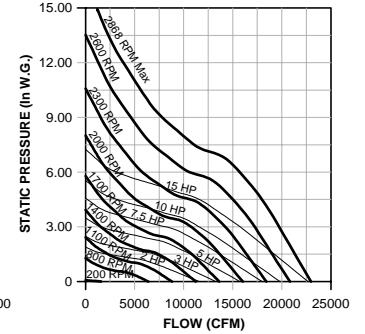
Prop Diameter - 28.69"
Prop Construction -
 Cast Aluminum
Maximum Frame - 254T
Tip Speed (FPM) = 7.51
 x RPM
Approx. Shipping Wt. -
 AFB-C - 265 lbs.
 AFBV-C - 361 lbs.



28 AFB-C



28 AFBV-C



28 AFB-C

CFM	OV	0.000" SP		0.500" SP		1.000" SP		2.000" SP		3.000" SP		4.000" SP		5.000" SP		6.000" SP	
		RPM	BHP	RPM	BHP	RPM	BHP	RPM	BHP	RPM	BHP	RPM	BHP	RPM	BHP	RPM	BHP
1600	351	196	0.01	684	0.45	906	1.14	1208	2.97	1439	5.24	1637	7.89	1812	10.90	1970	14.10
2550	560	312	0.02	758	0.55	991	1.32	1310	3.32	1546	5.80	1741	8.62	1912	11.70	2067	15.20
3500	769	428	0.05	829	0.65	1063	1.53	1393	3.68	1639	6.31	1842	9.33	2018	12.70	2175	16.30
4450	978	544	0.11	880	0.74	1137	1.74	1466	4.10	1719	6.87	1928	10.00	2110	13.50		
5400	1187	660	0.20	927	0.86	1201	1.93	1539	4.53	1791	7.48	2005	10.80	2191	14.40		
6350	1396	777	0.33	1000	1.04	1247	2.11	1612	4.93	1864	8.13	2077	11.60	2265	15.40		
7300	1605	893	0.50	1091	1.29	1290	2.32	1678	5.32	1938	8.76	2150	12.50	2337	16.50		
8250	1814	1009	0.72	1188	1.59	1355	2.65	1731	5.69	2009	9.36	2224	13.30				
9200	2023	1125	0.99	1288	1.95	1435	3.05	1772	6.05	2072	9.93	2296	14.10				
10150	2231	1241	1.33	1389	2.36	1526	3.55	1816	6.49	2122	10.50	2362	14.90				
11100	2440	1357	1.74	1493	2.84	1622	4.13	1873	7.06	2164	11.00	2419	15.70				
12050	2649	1474	2.23	1598	3.40	1720	4.77	1946	7.78	2206	11.60	2465	16.40				
13000	2858	1590	2.80	1705	4.05	1820	5.50	2028	8.62	2258	12.40						
13950	3067	1706	3.46	1814	4.79	1921	6.30	2118	9.59	2321	13.40						
14900	3276	1822	4.22	1924	5.63	2024	7.21	2213	10.70	2394	14.50						
15850	3485	1938	5.07	2034	6.57	2128	8.21	2309	11.90	2477	15.70						
16800	3694	2054	6.04	2145	7.62	2233	9.32	2408	13.20								
17750	3903	2171	7.13	2257	8.80	2341	10.60	2507	14.60								
18700	4112	2287	8.34	2368	10.10	2447	11.90	2607	16.10								
19650	4321	2403	9.67	2481	11.50	2557	13.40										
20600	4529	2519	11.10	2595	13.10	2665	15.00										
21550	4738	2635	12.80	2708	14.80												
22500	4947	2751	14.50														
23450	5156	2868	16.40														

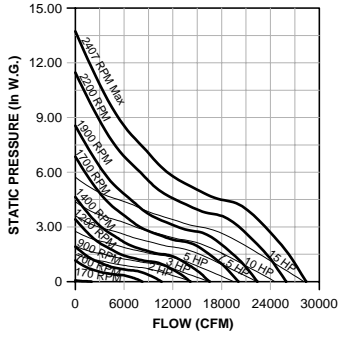
Performance shown is for installation type D: ducted inlet, ducted outlet. Power rating (BHP) includes drive losses. Performance ratings do not include the effects of appurtenances in the airstream.

28 AFBV-C

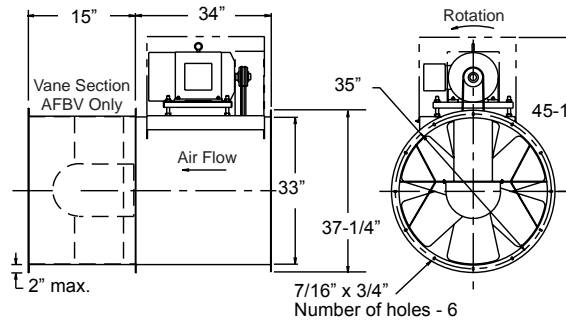
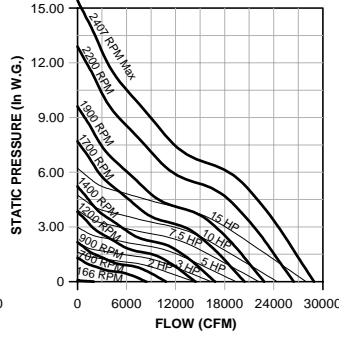
CFM	OV	0.000" SP		0.500" SP		1.000" SP		2.000" SP		3.000" SP		4.000" SP		5.000" SP		6.000" SP	
		RPM	BHP	RPM	BHP	RPM	BHP	RPM	BHP	RPM	BHP	RPM	BHP	RPM	BHP	RPM	BHP
1600	351	200	0.01	659	0.40	872	1.06	1174	2.83	1405	5.04	1598	7.58	1767	10.40	1918	13.50
2550	560	318	0.02	721	0.46	953	1.17	1260	3.06	1490	5.42	1685	8.15	1857	11.20	2013	14.50
3500	769	437	0.06	764	0.52	1013	1.28	1340	3.28	1578	5.77	1773	8.63	1943	11.80	2098	15.30
4450	978	556	0.11	821	0.64	1066	1.41	1401	3.49	1652	6.07	1857	9.06	2031	12.40	2186	16.00
5400	1187	674	0.20	901	0.80	1099	1.55	1462	3.75	1713	6.40	1925	9.46	2109	12.90		
6350	1396	793	0.33	991	1.00	1166	1.82	1510	4.01	1774	6.78	1985	9.90	2173	13.40		
7300	1605	911	0.50	1090	1.26	1245	2.14	1539	4.27	1829	7.18	2046	10.40	2231	14.00		
8250	1814	1030	0.72	1193	1.57	1331	2.51	1593	4.70	1863	7.53	2103	11.00	2293	14.60		
9200	2023	1148	1.00	1298	1.94	1424	2.94	1666	5.27	1896	7.98	2142	11.40	2350	15.30		
10150	2231	1267	1.34	1406	2.38	1522	3.45	1746	5.92	1955	8.68	2170	11.90	2391	15.90		
11100	2440	1386	1.76	1515	2.89	1625	4.06	1830	6.63	2027	9.53	2216	12.70	2418	16.50		
12050	2649	1504	2.25	1626	3.49	1729	4.73	1919	7.42	2106	10.50	2281	13.70				
13000	2858	1623	2.83	1736	4.14	1835	5.49	2013	8.32	2188	11.50	2355	14.90				
13950	3067	1741	3.49	1849	4.92	1943	6.36	2111	9.33	2274	12.60	2435	16.20				
14900	3276	1860	4.26	1961	5.77	2051	7.30	2212	10.50	2364	13.80						
15850	3485	1979	5.13	2075	6.74	2160	8.35	2314	11.70	2458	15.20						
16800	3694	2097	6.10	2190	7.84	2271	9.54	2418	13.00								
17750	3903	2216	7.20	2304	9.03	2382	10.80	2525	14.50								
18700	4112	2334	8.41	2417	10.30	2493	12.20	2631	16.10								
19650	4321	2453	9.76	2532	11.80	2606	13.80										
20600	4529	2572	11.30	2650	13.40	2718	15.50										
21550	4738	2690	12.90	2767	15.20												
22500	4947	2809	14.70														

Performance shown is for installation type D: ducted inlet, ducted outlet. Power rating (BHP) includes drive losses. Performance ratings do not include the effects of appurtenances in the airstream.

32 AFB-C



32 AFBV-C



Prop Diameter - 32.75"
Prop Construction -
 Cast Aluminum
Maximum Frame - 254T
Tip Speed (FPM) = 8.57
 x RPM
Approx. Shipping Wt. -
 AFB-C - 350 lbs.
 AFBV-C - 470 lbs.

32 AFB-C

CFM	OV	0.000" SP		0.500" SP		1.000" SP		2.000" SP		3.000" SP		4.000" SP		5.000" SP		6.000" SP	
		RPM	BHP	RPM	BHP	RPM	BHP	RPM	BHP	RPM	BHP	RPM	BHP	RPM	BHP	RPM	BHP
2000	336	170	0.01	617	0.57	820	1.50	1096	3.96	1305	7.03	1480	10.60	1634	14.50		
3200	538	271	0.02	691	0.70	895	1.69	1184	4.35	1401	7.66	1580	11.50	1736	15.70		
4400	740	373	0.06	745	0.82	971	1.96	1258	4.73	1481	8.21	1667	12.20				
5600	942	475	0.12	792	0.96	1029	2.20	1335	5.24	1553	8.79	1741	12.90				
6800	1144	576	0.21	823	1.07	1077	2.45	1404	5.78	1631	9.58	1814	13.80				
8000	1346	678	0.35	884	1.26	1123	2.74	1458	6.26	1702	10.40	1893	14.90				
9200	1548	780	0.53	961	1.54	1150	2.94	1506	6.75	1761	11.20	1964	16.00				
10400	1750	882	0.76	1041	1.87	1200	3.25	1555	7.32	1811	11.90						
11600	1952	983	1.05	1125	2.28	1268	3.69	1596	7.85	1858	12.60						
12800	2155	1085	1.42	1212	2.76	1345	4.24	1622	8.25	1906	13.50						
14000	2357	1187	1.86	1302	3.31	1425	4.88	1663	8.78	1949	14.30						
15200	2559	1288	2.37	1393	3.94	1507	5.61	1722	9.51	1977	14.90						
16400	2761	1390	2.98	1488	4.68	1591	6.44	1793	10.40	2006	15.60						
17600	2963	1492	3.69	1583	5.49	1677	7.37	1868	11.50	2057	16.50						
18800	3165	1594	4.50	1679	6.41	1766	8.42	1947	12.70								
20000	3367	1695	5.41	1776	7.44	1856	9.57	2029	14.00								
21200	3569	1797	6.44	1873	8.57	1948	10.80	2110	15.50								
22400	3771	1899	7.60	1972	9.86	2042	12.20										
23600	3973	2000	8.88	2071	11.30	2136	13.80										
24800	4175	2102	10.30	2169	12.80	2231	15.40										
26000	4377	2204	11.90	2269	14.50												
27200	4579	2306	13.60	2369	16.40												
28400	4781	2407	15.50														

Performance shown is for installation type D: ducted inlet, ducted outlet. Power rating (BHP) includes drive losses. Performance ratings do not include the effects of appurtenances in the airstream.

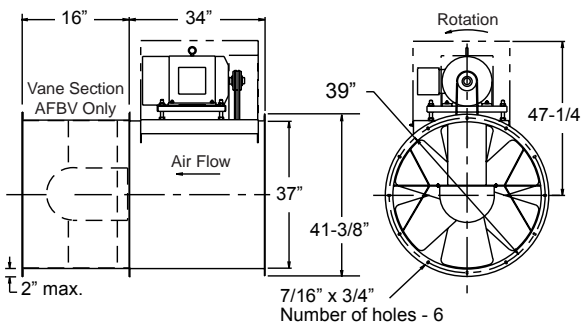
32 AFBV-C

CFM	OV	0.000" SP		0.500" SP		1.000" SP		2.000" SP		3.000" SP		4.000" SP		5.000" SP		6.000" SP	
		RPM	BHP	RPM	BHP	RPM	BHP	RPM	BHP	RPM	BHP	RPM	BHP	RPM	BHP	RPM	BHP
2000	336	166	.01	561	.50	750	1.34	1016	3.60	1215	6.40	1380	9.61	1524	13.20		
3200	538	266	.02	629	.58	815	1.47	1079	3.86	1285	6.87	1458	10.40	1609	14.30		
4400	740	366	.06	668	.65	883	1.63	1145	4.14	1348	7.27	1520	10.90	1673	14.90		
5600	942	466	.12	705	.75	929	1.77	1215	4.44	1414	7.67	1584	11.40	1735	15.60		
6800	1144	566	.22	770	.92	959	1.93	1275	4.75	1485	8.14	1653	12.00	1801	16.20		
8000	1346	666	.35	845	1.14	1001	2.15	1315	5.01	1547	8.59	1723	12.60				
9200	1548	765	.53	925	1.43	1064	2.46	1345	5.32	1593	9.01	1785	13.20				
10400	1750	865	.77	1009	1.77	1137	2.87	1380	5.70	1626	9.43	1833	13.80				
11600	1953	965	1.07	1097	2.18	1213	3.36	1429	6.20	1655	9.90	1868	14.30				
12800	2155	1065	1.44	1187	2.65	1293	3.93	1493	6.85	1692	10.50	1897	14.90				
14000	2357	1165	1.89	1279	3.21	1377	4.59	1564	7.62	1741	11.30	1929	15.60				
15200	2559	1265	2.42	1371	3.84	1463	5.32	1638	8.49	1802	12.20	1970	16.50				
16400	2761	1364	3.03	1465	4.57	1551	6.15	1715	9.48	1870	13.20						
17600	2963	1464	3.75	1558	5.38	1641	7.08	1795	10.60	1943	14.50						
18800	3165	1564	4.57	1654	6.33	1731	8.10	1877	11.80	2018	15.80						
20000	3367	1664	5.50	1748	7.35	1824	9.27	1961	13.20								
21200	3569	1764	6.55	1845	8.54	1916	10.50	2047	14.70								
22400	3771	1864	7.73	1940	9.81	2009	11.90	2135	16.30								
23600	3973	1964	9.05	2036	11.20	2103	13.50										
24800	4175	2063	10.50	2134	12.80	2197	15.10										
26000	4377	2163	12.10	2231	14.50												
27200	4579	2263	13.80	2328	16.40												
28400	4781	2363	15.80														

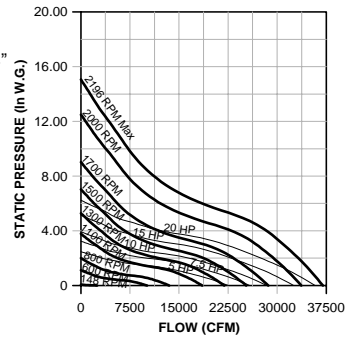
Performance shown is for installation type D: ducted inlet, ducted outlet. Power rating (BHP) includes drive losses. Performance ratings do not include the effects of appurtenances in the airstream.

36 AFB-C/AFBV-C Data

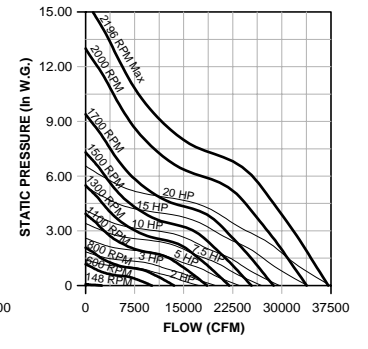
Prop Diameter - 36.75"
Prop Construction -
 Cast Aluminum
Maximum Frame - 256T
Tip Speed (FPM) = 9.62 x
 RPM
Approx. Shipping Wt. -
 AFB-C - 385 lbs.
 AFBV-C - 527 lbs.



36 AFB-C



36 AFBV-C



36 AFB-C

CFM	OV	0.000" SP		0.500" SP		1.000" SP		2.000" SP		3.000" SP		4.000" SP		5.000" SP		6.000" SP	
		RPM	BHP	RPM	BHP	RPM	BHP	RPM	BHP	RPM	BHP	RPM	BHP	RPM	BHP	RPM	BHP
2500	334	148	0.01	536	0.71	707	1.82	938	4.60	1117	8.06	1270	12.10	1404	16.70	1525	21.70
4000	535	237	0.03	594	0.85	779	2.09	1024	5.33	1205	9.22	1355	13.50	1486	18.30		
5500	736	326	0.07	638	0.97	835	2.38	1095	5.84	1285	10.10	1440	15.00	1575	20.30		
7000	937	415	0.15	675	1.09	881	2.63	1154	6.44	1352	10.90	1514	16.00	1653	21.60		
8500	1138	505	0.27	719	1.29	920	2.84	1205	7.01	1411	11.80	1578	17.10				
10000	1339	594	0.44	775	1.54	958	3.11	1249	7.47	1463	12.70	1636	18.30				
11500	1540	683	0.66	842	1.88	1000	3.48	1289	7.90	1509	13.40	1688	19.50				
13000	1741	772	0.96	914	2.27	1051	3.95	1326	8.36	1550	14.00	1734	20.50				
14500	1941	861	1.33	989	2.74	1111	4.51	1364	8.96	1589	14.70	1776	21.30				
16000	2142	950	1.78	1066	3.29	1178	5.17	1406	9.70	1626	15.40						
17500	2343	1039	2.33	1145	3.94	1250	5.95	1455	10.60	1664	16.30						
19000	2544	1128	2.99	1225	4.68	1323	6.79	1511	11.60	1704	17.30						
20500	2745	1217	3.75	1307	5.55	1398	7.75	1571	12.80	1749	18.50						
22000	2946	1306	4.64	1390	6.54	1475	8.83	1638	14.10	1801	20.00						
23500	3147	1395	5.65	1474	7.66	1553	10.00	1708	15.50	1859	21.60						
25000	3348	1484	6.80	1559	8.94	1632	11.40	1779	17.10								
26500	3549	1573	8.10	1643	10.30	1713	12.90	1853	18.80								
28000	3749	1662	9.55	1729	11.90	1795	14.50	1927	20.60								
29500	3950	1751	11.20	1815	13.70	1877	16.30										
31000	4151	1840	13.00	1901	15.60	1960	18.40										
32500	4352	1929	14.90	1988	17.70	2043	20.50										
34000	4553	2018	17.10	2075	20.00												
35500	4754	2107	19.50														
37000	4955	2196	22.00														

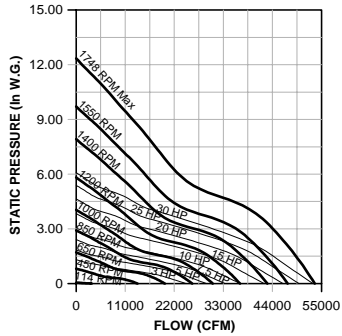
Performance shown is for installation type D: ducted inlet, ducted outlet. Power rating (BHP) includes drive losses. Performance ratings do not include the effects of appurtenances in the airstream.

36 AFBV-C

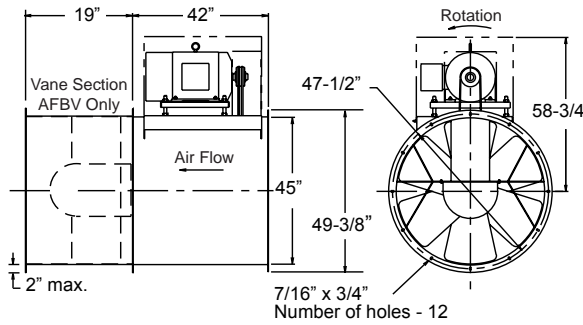
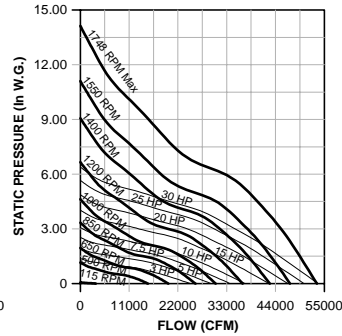
CFM	OV	0.000" SP		0.500" SP		1.000" SP		2.000" SP		3.000" SP		4.000" SP		5.000" SP		6.000" SP	
		RPM	BHP	RPM	BHP	RPM	BHP	RPM	BHP	RPM	BHP	RPM	BHP	RPM	BHP	RPM	BHP
2500	334	148	0.01	509	0.61	678	1.61	908	4.21	1082	7.44	1227	11.20	1356	15.40	1472	20.00
4000	535	237	0.02	556	0.67	736	1.76	979	4.67	1159	8.19	1308	12.20	1438	16.70	1555	21.50
5500	736	325	0.06	583	0.73	782	1.87	1036	4.97	1223	8.77	1378	13.10	1512	17.90		
7000	937	414	0.13	622	0.88	813	1.99	1085	5.20	1278	9.19	1437	13.80	1575	18.80		
8500	1138	503	0.24	682	1.10	839	2.18	1124	5.40	1327	9.54	1490	14.30	1631	19.60		
10000	1339	592	0.38	752	1.36	882	2.50	1151	5.64	1367	9.83	1537	14.70	1682	20.20		
11500	1540	681	0.58	823	1.63	942	2.94	1176	5.99	1397	10.10	1577	15.10	1728	20.70		
13000	1741	769	0.84	898	1.99	1010	3.44	1211	6.53	1422	10.60	1609	15.60	1767	21.20		
14500	1941	858	1.17	976	2.45	1080	3.95	1260	7.26	1449	11.20	1633	16.10	1798	21.70		
16000	2142	947	1.57	1055	3.02	1152	4.52	1321	8.15	1485	12.00	1658	16.80				
17500	2343	1036	2.06	1137	3.69	1226	5.18	1387	9.11	1534	13.10	1689	17.80				
19000	2544	1124	2.63	1219	4.44	1302	5.98	1457	10.20	1592	14.40	1731	19.00				
20500	2745	1213	3.30	1301	5.28	1380	6.94	1527	11.20	1657	15.80	1781	20.50				
22000	2946	1302	4.08	1385	6.23	1459	8.04	1598	12.30	1725	17.30						
23500	3147	1391	4.98	1469	7.29	1539	9.27	1671	13.50	1795	18.90						
25000	3348	1479	5.99	1553	8.46	1621	10.60	1746	14.90	1865	20.40						
26500	3549	1568	7.13	1639	9.79	1703	12.20	1822	16.50								
28000	3749	1657	8.42	1724	11.20	1785	13.80	1899	18.30								
29500	3950	1746	9.85	1809	12.80	1869	15.60	1978	20.30								
31000	4151	1835	11.40	1896	14.60	1952	17.50										
32500	4352	1923	13.20	1983	16.50	2036	19.50										
34000	4553	2012	15.10	2069	18.60	2121	21.80										
35500	4754	2101	17.20	2155	20.80												
37000	4955	2190	19.40														

Performance shown is for installation type D: ducted inlet, ducted outlet. Power rating (BHP) includes drive losses. Performance ratings do not include the effects of appurtenances in the airstream.

44 AFB-C



44 AFBV-C



Prop Diameter - 44.75"
 Prop Construction - Cast Aluminum
 Maximum Frame - 286T
 Tip Speed (FPM) = 11.72 x RPM
 Approx. Shipping Wt. -
 AFB-C - 576 lbs.
 AFBV-C - 830 lbs.

44 AFB-C

CFM	OV	0.000" SP		0.500" SP		1.000" SP		2.000" SP		3.000" SP		4.000" SP		5.000" SP		6.000" SP	
		RPM	BHP	RPM	BHP	RPM	BHP	RPM	BHP	RPM	BHP	RPM	BHP	RPM	BHP	RPM	BHP
3500	316	114	0.01	424	1.02	567	2.64	770	7.06	927	12.60	1059	19.00	1176	26.00		
6000	543	196	0.04	489	1.31	625	3.12	825	7.78	981	13.70	1112	20.60	1228	28.30		
8500	769	278	0.12	541	1.54	692	3.71	885	8.87	1036	14.90	1167	22.00	1283	30.00		
11000	995	359	0.27	573	1.83	748	4.16	952	10.10	1099	16.70	1225	24.00	1338	32.10		
13500	1222	441	0.49	610	2.19	786	4.69	1015	11.00	1166	18.50	1290	26.60				
16000	1448	523	0.82	663	2.63	816	5.31	1065	11.90	1230	19.90	1358	28.90				
18500	1675	604	1.27	727	3.20	853	6.01	1103	13.00	1284	21.20	1421	30.70				
21000	1901	686	1.86	794	3.92	901	6.83	1134	14.20	1328	22.80	1476	32.40				
23500	2127	768	2.60	865	4.87	959	7.80	1165	15.50	1362	24.40						
26000	2354	850	3.53	937	6.02	1023	8.95	1203	16.90	1392	26.20						
28500	2580	931	4.64	1011	7.39	1090	10.30	1250	18.50	1424	28.20						
31000	2806	1013	5.98	1086	8.96	1160	12.00	1303	20.30	1460	30.30						
33500	3033	1095	7.55	1162	10.80	1230	14.00	1363	22.30	1503	32.60						
36000	3259	1176	9.35	1239	12.80	1302	16.20	1427	24.60								
38500	3485	1258	11.40	1317	15.20	1375	18.80	1493	27.10								
41000	3712	1340	13.80	1395	17.80	1450	21.70	1561	30.10								
43500	3938	1421	16.50	1474	20.70	1525	24.90										
46000	4164	1503	19.50	1553	24.00	1601	28.40										
48500	4391	1585	22.90	1632	27.60	1678	32.30										
51000	4617	1666	26.60	1712	31.60												
53500	4843	1748	30.70														

Performance shown is for installation type D: ducted inlet, ducted outlet. Power rating (BHP) includes drive losses. Performance ratings do not include the effects of appurtenances in the airstream.

44 AFBV-C

CFM	OV	0.000" SP		0.500" SP		1.000" SP		2.000" SP		3.000" SP		4.000" SP		5.000" SP		6.000" SP	
		RPM	BHP	RPM	BHP	RPM	BHP	RPM	BHP	RPM	BHP	RPM	BHP	RPM	BHP	RPM	BHP
3500	316	115	0.01	409	0.90	551	2.43	752	6.54	904	11.70	1031	17.70	1141	24.30	1241	31.60
6000	543	197	0.04	462	1.06	601	2.66	798	7.03	952	12.50	1083	19.00	1198	26.10		
8500	769	279	0.12	494	1.23	654	3.01	851	7.56	1001	13.30	1129	19.90	1243	27.30		
11000	995	361	0.26	531	1.50	688	3.34	905	8.21	1055	14.10	1181	20.90	1293	28.60		
13500	1222	442	0.48	587	1.90	716	3.75	949	8.92	1109	15.10	1236	22.10	1347	29.90		
16000	1448	524	0.80	649	2.40	760	4.37	978	9.59	1154	16.20	1289	23.50	1402	31.50		
18500	1675	606	1.23	714	3.00	816	5.17	1006	10.40	1186	17.10	1333	24.90				
21000	1901	688	1.80	784	3.77	876	6.09	1043	11.50	1213	18.30	1366	26.20				
23500	2127	770	2.53	857	4.70	940	7.18	1094	12.90	1242	19.60	1392	27.60				
26000	2354	852	3.42	932	5.83	1006	8.42	1151	14.50	1283	21.30	1421	29.40				
28500	2580	934	4.51	1008	7.14	1075	9.88	1210	16.30	1334	23.50	1456	31.40				
31000	2806	1016	5.81	1084	8.65	1147	11.60	1272	18.30	1389	25.80						
33500	3033	1098	7.33	1161	10.40	1220	13.50	1336	20.50	1448	28.40						
36000	3259	1180	9.09	1240	12.40	1295	15.80	1402	23.00	1509	31.30						
38500	3485	1262	11.10	1318	14.60	1370	18.20	1470	25.80								
41000	3712	1344	13.40	1397	17.20	1446	21.00	1540	28.80								
43500	3938	1426	16.10	1475	20.00	1523	24.00	1612	32.30								
46000	4164	1508	19.00	1556	23.20	1600	27.40										
48500	4391	1590	22.20	1636	26.70	1678	31.10										
51000	4617	1672	25.90	1715	30.50												
53500	4843	1754	29.90														

Performance shown is for installation type D: ducted inlet, ducted outlet. Power rating (BHP) includes drive losses. Performance ratings do not include the effects of appurtenances in the airstream.

48 AFB-C/AFBV-C Data

Prop Diameter - 48.75"

Prop Construction -

Cast Aluminum

Maximum Frame - 324T

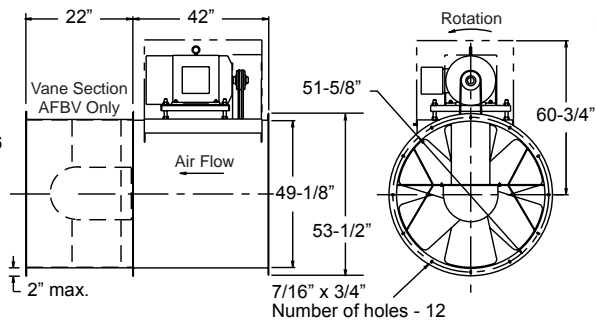
Tip Speed (FPM) = 12.76

x RPM

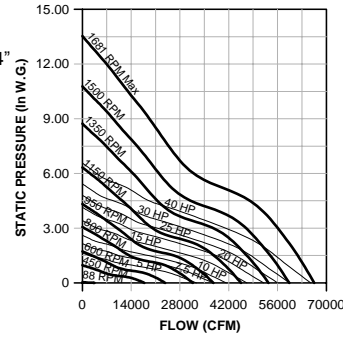
Approx. Shipping Wt. -

AFB-C - 677 lbs.

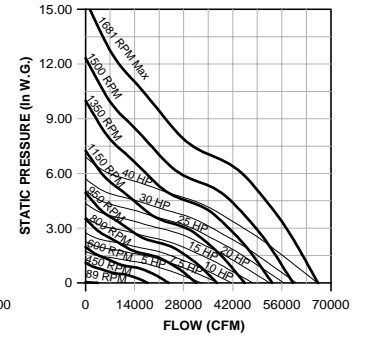
AFBV-C - 992 lbs.



48 AFB-C



48 AFBV-C



48 AFB-C

CFM	OV	0.000" SP		0.500" SP		1.000" SP		2.000" SP		3.000" SP		4.000" SP		5.000" SP		6.000" SP	
		RPM	BHP	RPM	BHP	RPM	BHP	RPM	BHP	RPM	BHP	RPM	BHP	RPM	BHP	RPM	BHP
3500	265	88	0.01	378	1.15	510	3.05	696	8.16	841	14.60	963	21.90				
6500	493	164	0.04	436	1.49	562	3.56	747	9.05	890	16.00	1011	24.10	1117	33.10	1214	43.00
9500	721	240	0.12	489	1.77	623	4.28	801	10.20	941	17.30	1061	25.70	1168	35.20		
12500	949	316	0.28	521	2.11	678	4.81	862	11.70	998	19.40	1114	27.90	1219	37.50		
15500	1177	392	0.53	553	2.51	716	5.44	922	12.90	1060	21.70	1174	31.10	1275	40.90		
18500	1405	468	0.90	600	3.03	745	6.18	971	13.90	1120	23.40	1236	33.90				
21500	1633	543	1.41	658	3.68	777	7.00	1008	15.20	1172	24.90	1296	36.10				
24500	1861	619	2.09	720	4.51	820	7.96	1037	16.60	1214	26.80	1349	38.20				
27500	2089	695	2.96	785	5.60	873	9.09	1066	18.10	1247	28.70	1392	40.50				
30500	2317	771	4.04	852	6.96	932	10.40	1100	19.80	1275	30.90	1427	43.10				
33500	2545	847	5.36	920	8.55	994	12.10	1143	21.80	1304	33.20						
36500	2773	922	6.91	990	10.40	1058	14.00	1192	23.90	1337	35.70						
39500	3000	998	8.76	1061	12.60	1124	16.40	1246	26.20	1376	38.40						
42500	3228	1074	10.90	1132	15.00	1190	19.00	1305	28.90	1422	41.50						
45500	3456	1150	13.40	1204	17.80	1258	22.10	1367	32.00								
48500	3684	1226	16.20	1277	20.90	1328	25.60	1430	35.50								
51500	3912	1302	19.50	1350	24.50	1397	29.30	1494	39.50								
54500	4140	1377	23.00	1423	28.30	1468	33.60	1559	44.00								
57500	4368	1453	27.00	1497	32.70	1539	38.20										
60500	4596	1529	31.50	1571	37.50	1610	43.10										
63500	4824	1605	36.40	1645	42.70												
66500	5052	1681	41.90														

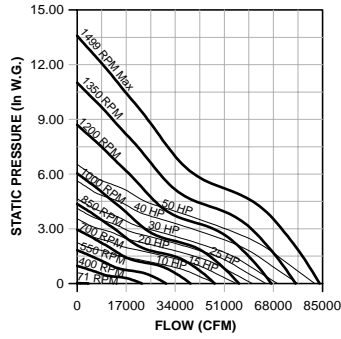
Performance shown is for installation type D: ducted inlet, ducted outlet. Power rating (BHP) includes drive losses. Performance ratings do not include the effects of appurtenances in the airstream.

48 AFBV-C

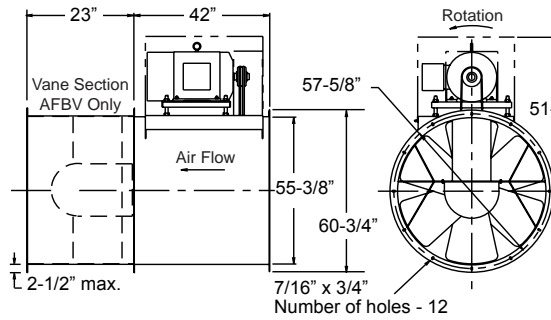
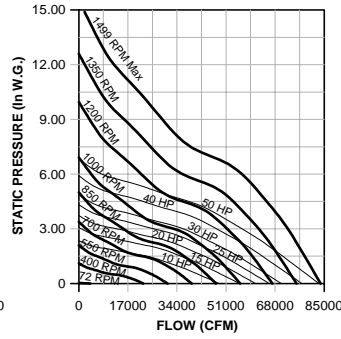
CFM	OV	0.000" SP		0.500" SP		1.000" SP		2.000" SP		3.000" SP		4.000" SP		5.000" SP		6.000" SP	
		RPM	BHP	RPM	BHP	RPM	BHP	RPM	BHP	RPM	BHP	RPM	BHP	RPM	BHP	RPM	BHP
3500	265	89	0.01	366	1.05	496	2.80	680	7.59	818	13.60	933	20.50	1034	28.30	1125	36.80
6500	493	165	0.04	415	1.22	542	3.10	724	8.25	866	14.70	986	22.30	1091	30.70	1185	39.80
9500	721	241	0.12	449	1.42	592	3.49	771	8.82	910	15.60	1028	23.40	1133	32.20	1229	41.80
12500	949	317	0.27	480	1.71	627	3.89	822	9.59	959	16.50	1075	24.60	1178	33.60	1272	43.50
15500	1177	393	0.52	529	2.16	653	4.37	865	10.40	1010	17.70	1126	26.00	1228	35.20		
18500	1405	469	0.88	586	2.74	690	5.05	894	11.20	1054	19.00	1176	27.60	1279	37.10		
21500	1633	545	1.37	646	3.44	741	5.98	919	12.20	1085	20.20	1218	29.30	1327	39.10		
24500	1861	621	2.03	711	4.34	797	7.09	952	13.40	1110	21.50	1250	30.90	1368	41.30		
27500	2089	697	2.87	778	5.42	855	8.34	998	15.10	1137	23.00	1275	32.60	1399	43.30		
30500	2317	773	3.92	847	6.74	916	9.80	1050	17.00	1173	25.00	1301	34.60				
33500	2545	849	5.19	917	8.27	980	11.50	1105	19.10	1219	27.50	1333	37.00				
36500	2773	925	6.72	988	10.10	1046	13.50	1162	21.50	1270	30.30	1373	39.90				
39500	3000	1001	8.51	1060	12.10	1114	15.80	1221	24.10	1325	33.50	1421	43.30				
42500	3228	1078	10.60	1133	14.50	1183	18.40	1282	27.00	1381	36.90						
45500	3456	1154	13.00	1205	17.20	1253	21.40	1345	30.30	1439	40.50						
48500	3684	1230	15.80	1279	20.20	1324	24.70	1410	34.00								
51500	3912	1306	18.90	1351	23.50	1395	28.30	1477	38.10								
54500	4140	1382	22.40	1426	27.40	1466	32.30	1545	42.60								
57500	4368	1458	26.30	1500	31.60	1539	36.80										
60500	4596	1534	30.60	1574	36.20	1611	41.70										
63500	4824	1610	35.40	1647	41.10												
66500	5052	1686	40.70														

Performance shown is for installation type D: ducted inlet, ducted outlet. Power rating (BHP) includes drive losses. Performance ratings do not include the effects of appurtenances in the airstream.

54 AFB-C



54 AFBV-C



Prop Diameter - 54.75"
 Prop Construction -
 Cast Aluminum
 Maximum Frame - 326T
 Tip Speed (FPM) = 14.33
 x RPM
 Approx. Shipping Wt. -
 AFB-C - 940 lbs.
 AFBV-C - 1299 lbs.

54 AFB-C

CFM	OV	0.000" SP		0.500" SP		1.000" SP		2.000" SP		3.000" SP		4.000" SP		5.000" SP		6.000" SP	
		RPM	BHP	RPM	BHP	RPM	BHP	RPM	BHP	RPM	BHP	RPM	BHP	RPM	BHP	RPM	BHP
4000	239	71	0.01	331	1.41	449	3.79	616	10.20	744	18.10						
8000	478	143	0.05	386	1.87	498	4.44	663	11.40	790	20.10	898	30.30	992	41.60	1078	53.90
12000	717	214	0.15	436	2.24	555	5.40	713	12.90	838	21.90	945	32.50	1040	44.40		
16000	956	285	0.36	465	2.68	606	6.12	771	14.90	892	24.70	995	35.50	1088	47.50		
20000	1195	357	0.72	497	3.25	641	6.97	827	16.40	950	27.60	1052	39.70	1142	52.30		
24000	1435	428	1.23	543	3.95	667	7.94	871	17.80	1006	29.80	1111	43.30				
28000	1674	500	1.97	598	4.85	700	9.09	904	19.50	1053	32.00	1166	46.20				
32000	1913	571	2.93	658	6.06	744	10.50	931	21.50	1090	34.40	1213	49.00				
36000	2152	642	4.17	719	7.61	795	12.00	959	23.60	1119	37.10	1251	52.20				
40000	2391	714	5.73	783	9.55	852	13.90	994	26.00	1145	40.10						
44000	2630	785	7.62	848	11.80	912	16.30	1037	28.70	1174	43.30						
48000	2870	856	9.88	914	14.50	972	19.10	1086	31.60	1208	46.80						
52000	3109	928	12.60	981	17.60	1035	22.60	1140	35.00	1249	50.70						
56000	3348	999	15.70	1049	21.20	1098	26.40	1197	38.90	1295	54.90						
60000	3587	1071	19.30	1117	25.10	1163	30.80	1255	43.30								
64000	3826	1142	23.50	1186	29.70	1228	35.70	1316	48.50								
68000	4065	1213	28.10	1255	34.80	1295	41.30	1377	54.40								
72000	4305	1285	33.40	1323	40.30	1362	47.30										
76000	4544	1356	39.30	1394	46.80	1429	54.00										
80000	4783	1427	45.80	1463	53.70												
84000	5022	1499	53.00														

Performance shown is for installation type D: ducted inlet, ducted outlet. Power rating (BHP) includes drive losses. Performance ratings do not include the effects of appurtenances in the airstream.

54 AFBV-C

CFM	OV	0.000" SP		0.500" SP		1.000" SP		2.000" SP		3.000" SP		4.000" SP		5.000" SP		6.000" SP	
		RPM	BHP	RPM	BHP	RPM	BHP	RPM	BHP	RPM	BHP	RPM	BHP	RPM	BHP	RPM	BHP
4000	239	72	0.01	321	1.29	438	3.50	600	9.45	722	16.90	824	25.50	914	35.30	995	45.90
8000	478	143	0.04	367	1.52	480	3.89	643	10.40	769	18.50	876	28.00	969	38.50	1053	50.10
12000	717	215	0.15	400	1.80	527	4.39	687	11.10	810	19.60	916	29.60	1009	40.60	1094	52.70
16000	956	286	0.35	429	2.18	560	4.94	735	12.20	857	20.90	960	31.10	1052	42.50	1135	55.00
20000	1195	358	0.70	477	2.81	584	5.58	774	13.30	904	22.50	1008	33.00	1099	44.70		
24000	1435	430	1.21	531	3.60	622	6.56	800	14.40	944	24.20	1054	35.20	1147	47.20		
28000	1674	501	1.91	589	4.60	671	7.85	824	15.70	972	25.80	1092	37.40	1191	50.00		
32000	1913	573	2.85	650	5.84	724	9.36	859	17.50	995	27.60	1120	39.60	1227	52.80		
36000	2152	644	4.05	714	7.39	780	11.10	904	19.80	1023	29.90	1143	41.90				
40000	2391	716	5.57	779	9.23	838	13.20	954	22.50	1060	32.80	1169	44.70				
44000	2630	787	7.39	846	11.40	900	15.70	1007	25.50	1106	36.30	1202	48.20				
48000	2870	859	9.61	913	14.00	963	18.50	1062	28.80	1156	40.30	1244	52.50				
52000	3109	931	12.20	981	17.00	1027	21.80	1118	32.50	1208	44.60						
56000	3348	1002	15.30	1049	20.30	1093	25.60	1177	36.70	1262	49.30						
60000	3587	1074	18.80	1118	24.30	1159	29.80	1238	41.40	1317	54.50						
64000	3826	1145	22.80	1187	28.60	1226	34.50	1300	46.70								
68000	4065	1217	27.30	1257	33.60	1293	39.80	1364	52.70								
72000	4305	1289	32.50	1327	39.20	1361	45.60										
76000	4544	1360	38.10	1396	45.20	1429	52.00										
80000	4783	1432	44.50	1465	51.70												
84000	5022	1503	51.50														

Performance shown is for installation type D: ducted inlet, ducted outlet. Power rating (BHP) includes drive losses. Performance ratings do not include the effects of appurtenances in the airstream.

60 AFB-C/AFBV-C Data

Prop Diameter - 60.75"

Prop Construction -

Cast Aluminum

Maximum Frame - 364T

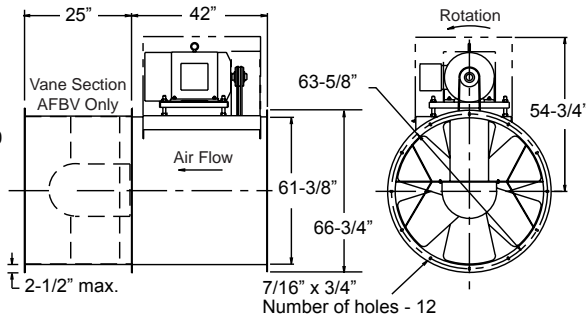
Tip Speed (FPM) = 15.90

x RPM

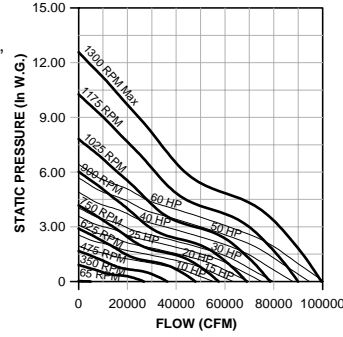
Approx. Shipping Wt. -

AFB-C - 1042 lbs.

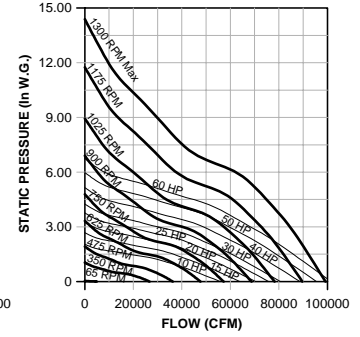
AFBV-C - 1488 lbs.



60 AFB-C



60 AFBV-C



60 AFB-C

CFM	OV	0.000" SP		0.500" SP		1.000" SP		2.000" SP		3.000" SP		4.000" SP		5.000" SP		6.000" SP	
		RPM	BHP	RPM	BHP	RPM	BHP	RPM	BHP	RPM	BHP	RPM	BHP	RPM	BHP	RPM	BHP
5000	243	65	0.01	299	1.75	405	4.67	555	12.50	671	22.30						
9000	438	118	0.04	338	2.19	440	5.26	590	13.70	705	24.50	802	36.80	887	50.50	965	65.60
13000	632	170	0.13	379	2.59	481	6.26	625	15.00	740	26.10	837	39.10	922	53.50		
17000	827	222	0.29	406	2.98	523	7.06	666	17.00	776	28.30	872	41.50	957	56.30		
21000	1022	274	0.54	426	3.48	556	7.79	709	18.90	818	31.50	910	45.00	993	59.90		
25000	1216	327	0.93	450	4.04	579	8.64	749	20.30	861	34.30	952	49.20	1033	64.80		
29000	1411	379	1.44	484	4.76	599	9.66	781	21.70	902	36.50	995	52.90				
33000	1606	431	2.12	524	5.62	621	10.70	807	23.40	938	38.60	1036	55.70				
37000	1800	483	2.98	566	6.67	650	12.00	827	25.20	967	40.80	1074	58.70				
41000	1995	535	4.06	611	8.05	684	13.40	847	27.30	992	43.50	1105	61.60				
45000	2190	588	5.38	656	9.68	723	15.10	868	29.40	1012	46.20	1132	64.90				
49000	2384	640	6.94	703	11.60	765	17.00	894	31.80	1031	49.20						
53000	2579	692	8.78	750	13.90	808	19.30	924	34.40	1052	52.40						
57000	2774	744	10.90	798	16.40	853	22.00	959	37.30	1075	55.80						
61000	2969	797	13.40	847	19.30	898	25.10	997	40.50	1102	59.40						
65000	3163	849	16.20	896	22.50	944	28.70	1037	43.90	1133	63.40						
69000	3358	901	19.40	946	26.10	991	32.70	1079	47.90								
73000	3553	953	22.90	996	30.10	1038	37.00	1122	52.30								
77000	3747	1006	27.00	1046	34.40	1085	41.70	1166	57.30								
81000	3942	1058	31.40	1096	39.20	1134	47.00	1210	62.80								
85000	4137	1110	36.20	1147	44.50	1182	52.60										
89000	4331	1162	41.50	1197	50.20	1231	58.70										
93000	4526	1215	47.50	1249	56.70	1281	65.50										
97000	4721	1267	53.90	1300	63.50												

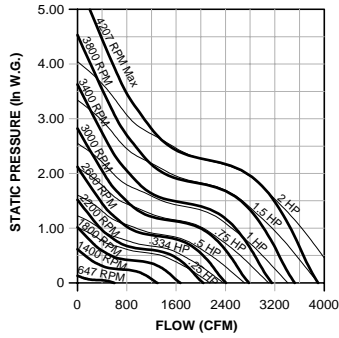
Performance shown is for installation type D: ducted inlet, ducted outlet. Power rating (BHP) includes drive losses. Performance ratings do not include the effects of appurtenances in the airstream.

60 AFBV-C

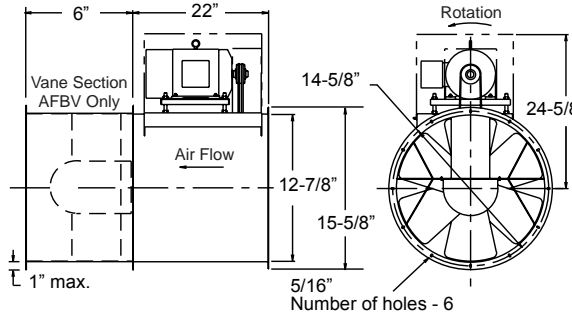
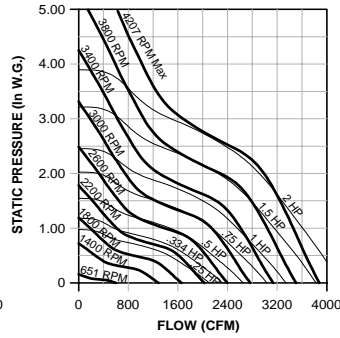
CFM	OV	0.000" SP		0.500" SP		1.000" SP		2.000" SP		3.000" SP		4.000" SP		5.000" SP		6.000" SP	
		RPM	BHP	RPM	BHP	RPM	BHP	RPM	BHP	RPM	BHP	RPM	BHP	RPM	BHP	RPM	BHP
5000	243	65	0.01	290	1.60	395	4.31	542	11.70	652	20.90	744	31.60	825	43.50	898	56.70
9000	438	118	0.04	324	1.82	426	4.72	573	12.60	687	22.50	783	34.10	866	46.80	941	60.80
13000	632	170	0.13	353	2.10	460	5.16	604	13.30	716	23.70	812	35.70	897	49.20	974	64.00
17000	827	223	0.28	370	2.39	491	5.74	639	14.30	749	24.90	843	37.20	926	51.00		
21000	1022	275	0.53	397	2.87	510	6.26	673	15.40	784	26.30	877	38.90	959	53.00		
25000	1216	328	0.90	434	3.54	528	6.93	700	16.50	818	27.90	912	40.80	994	55.30		
29000	1411	380	1.40	473	4.32	556	7.92	719	17.60	847	29.60	946	43.00	1029	57.80		
33000	1606	432	2.06	514	5.24	591	9.16	736	18.80	869	31.20	975	45.30	1062	60.50		
37000	1800	485	2.91	558	6.38	629	10.60	758	20.40	886	32.80	998	47.40	1091	63.40		
41000	1995	537	3.95	604	7.75	669	12.20	787	22.50	904	34.80	1016	49.60	1114	66.00		
45000	2190	590	5.24	651	9.36	710	14.00	821	24.80	926	37.20	1033	52.00				
49000	2384	642	6.75	699	11.20	753	16.10	858	27.50	953	40.10	1052	54.90				
53000	2579	694	8.52	748	13.40	797	18.50	896	30.40	987	43.70	1076	58.30				
57000	2774	747	10.60	797	15.80	843	21.20	936	33.70	1022	47.40	1104	62.20				
61000	2969	799	13.00	846	18.60	890	24.30	976	37.10	1060	51.60						
65000	3163	852	15.80	896	21.70	937	27.70	1018	40.90	1099	56.20						
69000	3358	904	18.80	946	25.10	986	31.60	1062	45.30	1138	60.80						
73000	3553	956	22.30	997	29.00	1034	35.70	1106	49.90	1178	65.90						
77000	3747	1009	26.20	1047	33.20	1083	40.30	1151	55.00								
81000	3942	1061	30.50	1098	37.90	1132	45.30	1197	60.60								
85000	4137	1114	35.30	1149	43.10	1181	50.70										
89000	4331	1166	40.40	1200	48.70	1231	56.70										
93000	4526	1218	46.10	1251	54.70	1281	63.10										
97000	4721	1271	52.40	1302	61.20												

Performance shown is for installation type D: ducted inlet, ducted outlet. Power rating (BHP) includes drive losses. Performance ratings do not include the effects of appurtenances in the airstream.

12 AFB-H / AFB-S



12 AFBV-H / AFBV-S



Prop Diameter - 12.69"
 Prop Construction -
 H-High Temperature
 S-Stainless Steel
 Maximum Frame - 145T
 Tip Speed (FPM) = 3.32
 x RPM
 Approx. Shipping Wt. -
 AFB-H / AFB-S - 87 lbs.
 AFBV-H / AFBV-S - 138 lbs.

12 AFB-H / AFB-S

CFM	OV	0.000" SP		0.500" SP		1.000" SP		1.500" SP		2.000" SP		2.500" SP		3.000" SP		3.500" SP	
		RPM	BHP	RPM	BHP	RPM	BHP	RPM	BHP	RPM	BHP	RPM	BHP	RPM	BHP	RPM	BHP
600	663	647	0.01	1842	0.17	2408	0.42	2836	0.70	3190	1.02	3492	1.36	3761	1.72	4007	2.10
750	829	809	0.01	1920	0.19	2534	0.45	2963	0.77	3323	1.12	3640	1.50	3921	1.89		
900	995	971	0.02	1965	0.20	2637	0.49	3088	0.82	3450	1.20	3767	1.61	4055	2.05		
1050	1161	1133	0.03	1996	0.21	2711	0.53	3197	0.87	3575	1.27	3894	1.71	4181	2.17		
1200	1327	1294	0.04	2032	0.23	2761	0.56	3282	0.93	3684	1.34	4017	1.79				
1350	1493	1456	0.06	2094	0.25	2795	0.59	3344	0.99	3771	1.41	4124	1.87				
1500	1659	1618	0.08	2175	0.28	2825	0.61	3389	1.04	3840	1.49	4212	1.97				
1650	1825	1780	0.11	2278	0.32	2862	0.63	3423	1.08	3891	1.57						
1800	1990	1942	0.15	2395	0.36	2913	0.67	3453	1.11	3929	1.63						
1950	2156	2103	0.19	2521	0.41	2982	0.72	3486	1.15	3961	1.68						
2100	2322	2265	0.23	2655	0.47	3062	0.77	3528	1.19	3991	1.72						
2250	2488	2427	0.29	2792	0.54	3161	0.85	3584	1.24	4024	1.76						
2400	2654	2589	0.35	2933	0.61	3272	0.94	3658	1.32	4064	1.81						
2550	2820	2751	0.42	3078	0.69	3390	1.03	3738	1.41	4121	1.89						
2700	2986	2912	0.49	3225	0.79	3516	1.13	3834	1.52	4188	1.98						
2850	3152	3074	0.58	3374	0.89	3647	1.24	3939	1.64								
3000	3318	3236	0.68	3525	1.00	3781	1.36	4054	1.78								
3150	3484	3398	0.79	3678	1.12	3919	1.49	4174	1.92								
3300	3650	3559	0.90	3832	1.26	4059	1.64										
3450	3815	3721	1.03	3986	1.40	4202	1.79										
3600	3981	3883	1.17	4141	1.56												
3750	4147	4045	1.33														
3900	4313	4207	1.49														

Performance shown is for installation type D: ducted inlet, ducted outlet. Power rating (BHP) includes drive losses. Performance ratings do not include the effects of appurtenances in the airstream. See page 32 for Altitude and Temperature Correction, and Tip Speed Limits.

12 AFBV-H / AFBV-S

CFM	OV	0.000" SP		0.500" SP		1.000" SP		1.500" SP		2.000" SP		2.500" SP		3.000" SP		3.500" SP	
		RPM	BHP	RPM	BHP	RPM	BHP	RPM	BHP	RPM	BHP	RPM	BHP	RPM	BHP	RPM	BHP
600	663	651	0.01	1675	0.14	2188	0.34	2552	0.58	2860	0.84	3132	1.14	3376	1.46	3599	1.81
750	829	813	0.01	1746	0.15	2309	0.37	2693	0.63	3001	0.92	3271	1.23	3517	1.56	3743	1.92
900	995	976	0.02	1808	0.16	2395	0.39	2815	0.67	3140	0.98	3413	1.32	3657	1.67	3882	2.05
1050	1161	1138	0.03	1865	0.18	2464	0.41	2907	0.71	3258	1.04	3548	1.40	3799	1.77	4025	2.17
1200	1327	1301	0.05	1924	0.20	2527	0.44	2980	0.74	3350	1.08	3660	1.46	3927	1.86		
1350	1493	1464	0.07	2004	0.23	2586	0.47	3046	0.78	3424	1.13	3750	1.52	4033	1.94		
1500	1659	1626	0.09	2108	0.26	2643	0.51	3107	0.82	3491	1.17	3824	1.57	4119	2.01		
1650	1825	1789	0.12	2230	0.30	2701	0.55	3166	0.86	3555	1.23	3891	1.63	4192	2.07		
1800	1990	1952	0.16	2362	0.35	2771	0.60	3223	0.92	3615	1.29	3955	1.69				
1950	2156	2114	0.20	2499	0.41	2859	0.66	3280	0.98	3673	1.35	4017	1.76				
2100	2322	2277	0.25	2639	0.47	2964	0.73	3343	1.04	3730	1.42	4076	1.84				
2250	2488	2440	0.31	2783	0.54	3084	0.81	3418	1.12	3786	1.50	4133	1.93				
2400	2654	2602	0.37	2929	0.62	3212	0.90	3509	1.21	3848	1.59	4190	2.02				
2550	2820	2765	0.44	3078	0.71	3345	1.00	3615	1.32	3921	1.69	4247	2.12				
2700	2986	2927	0.53	3228	0.80	3481	1.11	3732	1.44	4008	1.81						
2850	3152	3090	0.62	3379	0.91	3620	1.23	3856	1.56	4107	1.94						
3000	3318	3253	0.72	3532	1.02	3761	1.36	3987	1.71	4215	2.08						
3150	3484	3415	0.84	3685	1.15	3905	1.50	4121	1.86								
3300	3650	3578	0.96	3839	1.29	4050	1.65	4257	2.02								
3450	3815	3741	1.10	3993	1.44	4197	1.81										
3600	3981	3903	1.25	4148	1.60												
3750	4147	4066	1.41														
3900	4313	4229	1.59														

Performance shown is for installation type D: ducted inlet, ducted outlet. Power rating (BHP) includes drive losses. Performance ratings do not include the effects of appurtenances in the airstream. See page 32 for Altitude and Temperature Correction, and Tip Speed Limits.

14 AFB-H/AFB-S/AFBV-H/AFBV-S Data

Prop Diameter - 14.69"

Prop Construction -

H-High Temperature

S-Stainless Steel

Maximum Frame - 182T

Tip Speed (FPM) = 3.84

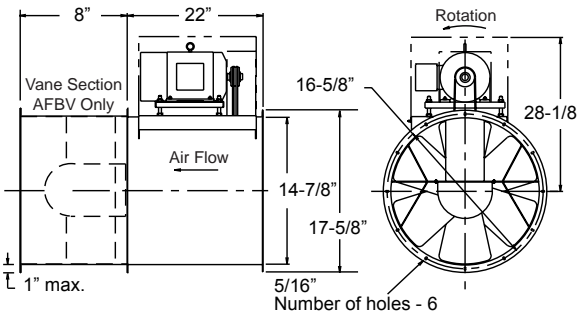
x RPM

Approx. Shipping Wt. -

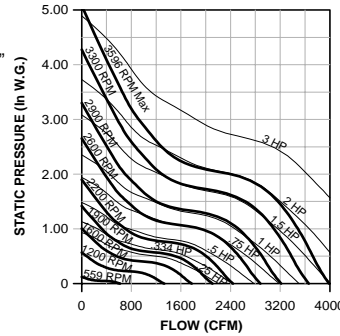
AFB-H / AFB-S - 101 lbs.

AFBV-H / AFBV-S - 153

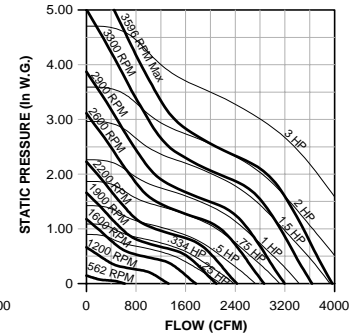
lbs.



14 AFB-H / AFB-S



14 AFBV-H / AFBV-S



14 AFB-H / AFB-S

CFM	OV	0.000" SP		0.500" SP		1.000" SP		1.500" SP		2.000" SP		2.500" SP		3.000" SP		4.000" SP	
		RPM	BHP	RPM	BHP	RPM	BHP	RPM	BHP	RPM	BHP	RPM	BHP	RPM	BHP	RPM	BHP
700	580	559	0.01	1614	0.20	2112	0.51	2487	0.86	2797	1.24	3062	1.65	3299	2.09		
900	745	719	0.01	1692	0.23	2235	0.55	2613	0.95	2930	1.38	3209	1.84	3457	2.32		
1100	911	879	0.02	1734	0.25	2333	0.60	2735	1.01	3056	1.49	3334	2.00	3587	2.53		
1300	1077	1039	0.04	1764	0.27	2400	0.66	2837	1.09	3176	1.58	3460	2.12				
1500	1242	1199	0.06	1809	0.29	2443	0.70	2912	1.17	3275	1.67	3576	2.23				
1700	1408	1358	0.09	1878	0.32	2473	0.73	2965	1.25	3352	1.78	3672	2.36				
1900	1574	1518	0.13	1972	0.37	2506	0.76	3002	1.31	3410	1.89						
2100	1740	1678	0.17	2085	0.43	2553	0.81	3032	1.35	3451	1.98						
2300	1905	1838	0.22	2208	0.50	2618	0.87	3064	1.40	3483	2.05						
2500	2071	1998	0.29	2340	0.58	2697	0.95	3106	1.45	3513	2.10						
2700	2237	2158	0.36	2476	0.67	2797	1.06	3162	1.53	3547	2.17						
2900	2403	2317	0.45	2616	0.78	2907	1.18	3237	1.64	3590	2.25						
3100	2568	2477	0.55	2760	0.89	3027	1.31	3322	1.78	3645	2.35						
3300	2734	2637	0.66	2906	1.03	3154	1.45	3421	1.94								
3500	2900	2797	0.79	3055	1.17	3285	1.61	3531	2.11								
3700	3065	2957	0.93	3205	1.34	3420	1.79	3648	2.31								
3900	3231	3116	1.09	3357	1.52	3559	1.98										
4100	3397	3276	1.27	3509	1.72												
4300	3563	3436	1.46	3662	1.93												
4500	3728	3596	1.67														

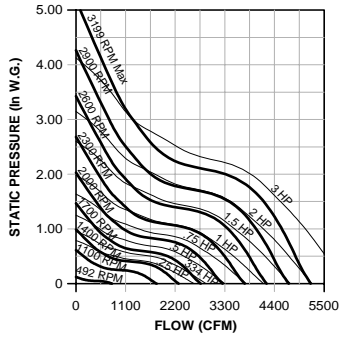
Performance shown is for installation type D: ducted inlet, ducted outlet. Power rating (BHP) includes drive losses. Performance ratings do not include the effects of appurtenances in the airstream. See page 32 for Altitude and Temperature Correction, and Tip Speed Limits.

14 AFBV-H / AFBV-S

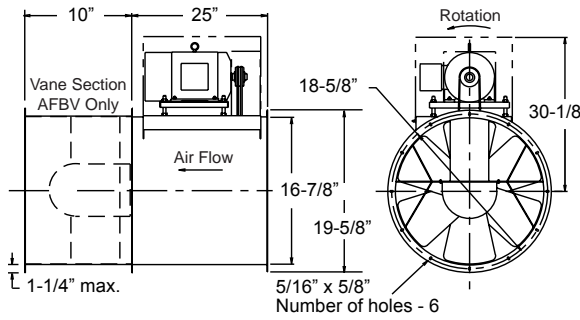
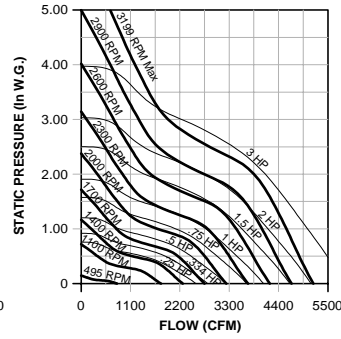
CFM	OV	0.000" SP		0.500" SP		1.000" SP		1.500" SP		2.000" SP		2.500" SP		3.000" SP		4.000" SP	
		RPM	BHP	RPM	BHP	RPM	BHP	RPM	BHP	RPM	BHP	RPM	BHP	RPM	BHP	RPM	BHP
700	580	562	0.01	1468	0.16	1916	0.41	2236	0.70	2508	1.03	2746	1.38	2961	1.78	3341	2.67
900	745	723	0.01	1539	0.18	2036	0.45	2376	0.77	2647	1.13	2884	1.51	3100	1.92	3484	2.81
1100	911	884	0.03	1599	0.20	2118	0.48	2492	0.83	2783	1.22	3025	1.63	3240	2.07	3622	3.01
1300	1077	1045	0.04	1656	0.22	2185	0.51	2577	0.88	2892	1.29	3153	1.73	3378	2.20		
1500	1242	1205	0.07	1720	0.26	2246	0.55	2646	0.92	2976	1.35	3255	1.82	3496	2.32		
1700	1408	1366	0.10	1811	0.30	2303	0.60	2709	0.97	3045	1.41	3335	1.89	3591	2.42		
1900	1574	1527	0.13	1925	0.35	2359	0.65	2768	1.04	3109	1.48	3405	1.97	3667	2.50		
2100	1740	1687	0.18	2053	0.42	2423	0.72	2825	1.11	3169	1.56	3469	2.06				
2300	1905	1848	0.24	2187	0.49	2509	0.80	2881	1.19	3227	1.64	3529	2.15				
2500	2071	2009	0.31	2326	0.58	2612	0.89	2943	1.28	3284	1.74	3587	2.25				
2700	2237	2169	0.39	2468	0.68	2731	1.00	3019	1.39	3339	1.85	3644	2.37				
2900	2403	2330	0.48	2613	0.79	2858	1.13	3113	1.52	3403	1.98						
3100	2568	2491	0.58	2760	0.91	2991	1.27	3221	1.67	3479	2.13						
3300	2734	2652	0.70	2909	1.05	3126	1.43	3341	1.84	3570	2.29						
3500	2900	2812	0.84	3059	1.20	3265	1.60	3467	2.02	3675	2.49						
3700	3065	2973	0.99	3210	1.37	3405	1.79	3598	2.23								
3900	3231	3134	1.16	3362	1.55	3549	2.00										
4100	3397	3294	1.35	3515	1.76												
4300	3563	3455	1.56	3667	1.98												
4500	3728	3616	1.78														

Performance shown is for installation type D: ducted inlet, ducted outlet. Power rating (BHP) includes drive losses. Performance ratings do not include the effects of appurtenances in the airstream. See page 32 for Altitude and Temperature Correction, and Tip Speed Limits.

16 AFB-H / AFB-S



16 AFBV-H / AFBV-S



Prop Diameter - 16.69"
Prop Construction -
 H-High Temperature
 S-Stainless Steel
Maximum Frame - 182T
Tip Speed (FPM) = 4.37
 x RPM
Approx. Shipping Wt. -
 AFB-H / AFB-S - 115 lbs.
 AFBV-H / AFBV-S - 169 lbs.

16 AFB-H / AFB-S

CFM	OV	0.000" SP		0.500" SP		1.000" SP		1.500" SP		2.000" SP		3.000" SP		4.000" SP		5.000" SP	
		RPM	BHP	RPM	BHP	RPM	BHP	RPM	BHP	RPM	BHP	RPM	BHP	RPM	BHP	RPM	BHP
800	515	492	0.01	1439	0.24	1882	0.60	2218	1.01	2493	1.46	2942	2.47				
1000	643	615	0.01	1502	0.27	1978	0.65	2315	1.11	2598	1.61	3065	2.71				
1200	772	738	0.02	1540	0.29	2060	0.70	2411	1.18	2695	1.73	3170	2.94				
1400	901	861	0.04	1564	0.31	2121	0.75	2497	1.25	2791	1.83						
1600	1030	984	0.06	1591	0.33	2163	0.81	2566	1.33	2877	1.92						
1800	1158	1107	0.08	1630	0.35	2192	0.85	2618	1.42	2948	2.03						
2000	1287	1230	0.11	1687	0.39	2215	0.88	2656	1.50	3005	2.14						
2200	1416	1353	0.15	1761	0.44	2240	0.91	2684	1.56	3048	2.25						
2400	1545	1476	0.19	1846	0.50	2274	0.95	2707	1.60	3080	2.34						
2600	1673	1599	0.25	1940	0.57	2320	1.01	2730	1.65	3106	2.41						
2800	1802	1722	0.31	2039	0.65	2377	1.08	2760	1.70	3129	2.48						
3000	1931	1845	0.38	2142	0.74	2447	1.18	2798	1.77	3153	2.54						
3200	2060	1968	0.46	2248	0.83	2526	1.30	2846	1.86	3182	2.61						
3400	2189	2091	0.55	2356	0.94	2614	1.42	2903	1.98	3217	2.69						
3600	2317	2214	0.65	2467	1.06	2706	1.56	2970	2.12								
3800	2446	2337	0.77	2580	1.20	2803	1.71	3045	2.28								
4000	2575	2460	0.89	2694	1.35	2904	1.87	3129	2.46								
4200	2704	2583	1.03	2809	1.51	3007	2.04	3217	2.65								
4400	2832	2706	1.19	2925	1.68	3112	2.23										
4600	2961	2830	1.36	3042	1.88	3219	2.43										
4800	3090	2953	1.54	3160	2.09												
5000	3219	3076	1.75														
5200	3347	3199	1.96														

Performance shown is for installation type D: ducted inlet, ducted outlet. Power rating (BHP) includes drive losses. Performance ratings do not include the effects of appurtenances in the airstream. See page 32 for Altitude and Temperature Correction, and Tip Speed Limits.

16 AFBV-H / AFBV-S

CFM	OV	0.000" SP		0.500" SP		1.000" SP		1.500" SP		2.000" SP		3.000" SP		4.000" SP		5.000" SP	
		RPM	BHP	RPM	BHP	RPM	BHP	RPM	BHP	RPM	BHP	RPM	BHP	RPM	BHP	RPM	BHP
800	515	495	0.01	1309	0.20	1706	0.49	1993	0.83	2236	1.22	2641	2.11	2980	3.17		
1000	643	618	0.01	1365	0.21	1802	0.53	2101	0.91	2342	1.32	2749	2.25				
1200	772	742	0.03	1413	0.23	1872	0.56	2197	0.97	2449	1.42	2855	2.41				
1400	901	866	0.04	1457	0.25	1927	0.59	2272	1.02	2543	1.50	2963	2.55				
1600	1030	989	0.06	1501	0.28	1976	0.63	2330	1.06	2618	1.56	3064	2.68				
1800	1158	1113	0.09	1555	0.32	2021	0.67	2381	1.11	2677	1.62	3149	2.79				
2000	1287	1237	0.12	1630	0.36	2065	0.72	2429	1.17	2730	1.69	3219	2.89				
2200	1416	1360	0.16	1718	0.42	2108	0.78	2474	1.23	2779	1.76						
2400	1545	1484	0.21	1816	0.48	2157	0.84	2518	1.30	2825	1.84						
2600	1673	1608	0.26	1918	0.56	2218	0.92	2561	1.38	2870	1.92						
2800	1802	1731	0.33	2024	0.64	2293	1.01	2606	1.47	2914	2.02						
3000	1931	1855	0.40	2132	0.73	2378	1.11	2658	1.58	2956	2.13						
3200	2060	1979	0.49	2242	0.84	2472	1.23	2722	1.70	3001	2.25						
3400	2189	2102	0.58	2354	0.95	2571	1.37	2797	1.83	3051	2.38						
3600	2317	2226	0.69	2467	1.08	2673	1.51	2879	1.99	3111	2.53						
3800	2446	2350	0.82	2582	1.22	2777	1.67	2971	2.16	3180	2.70						
4000	2575	2473	0.95	2697	1.37	2884	1.85	3067	2.34								
4200	2704	2597	1.10	2813	1.54	2992	2.04	3167	2.55								
4400	2832	2721	1.27	2930	1.72	3102	2.24										
4600	2961	2845	1.45	3047	1.92	3213	2.46										
4800	3090	2968	1.64	3164	2.14												
5000	3219	3092	1.86														
5200	3347	3216	2.09														

Performance shown is for installation type D: ducted inlet, ducted outlet. Power rating (BHP) includes drive losses. Performance ratings do not include the effects of appurtenances in the airstream. See page 32 for Altitude and Temperature Correction, and Tip Speed Limits.

18 AFB-H/AFB-S/AFBV-H/AFBV-S Data

Prop Diameter - 18.69"

Prop Construction -

H-High Temperature

S-Stainless Steel

Maximum Frame - 184T

Tip Speed (FPM) = 4.89

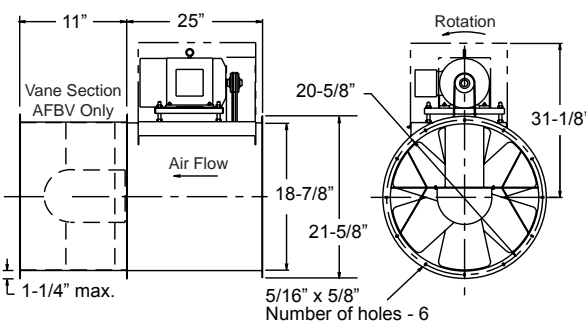
x RPM

Approx. Shipping Wt. -

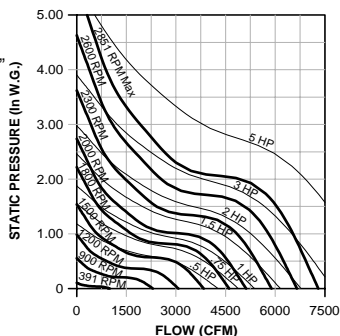
AFB-H / AFB-S - 128 lbs.

AFBV-H / AFBV-S - 188

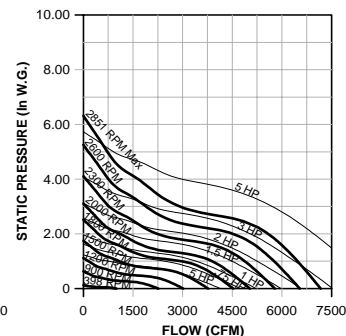
lbs.



18 AFB-H / AFB-S



18 AFBV-H / AFBV-S



18 AFB-H / AFB-S

CFM	OV	0.000" SP		0.500" SP		1.000" SP		1.500" SP		2.000" SP		3.000" SP		4.000" SP		5.000" SP	
		RPM	BHP	RPM	BHP	RPM	BHP	RPM	BHP	RPM	BHP	RPM	BHP	RPM	BHP	RPM	BHP
1000	514	391	0.01	1224	0.27	1616	0.66	1914	1.11	2162	1.63	2568	2.81				
1300	669	508	0.01	1306	0.31	1699	0.73	2000	1.23	2253	1.79	2672	3.06				
1600	823	625	0.03	1365	0.35	1783	0.81	2083	1.35	2336	1.95	2762	3.30				
1900	977	742	0.04	1395	0.37	1862	0.89	2168	1.47	2419	2.10	2845	3.53				
2200	1132	859	0.07	1408	0.40	1920	0.96	2249	1.59	2505	2.26						
2500	1286	976	0.10	1431	0.43	1958	1.03	2317	1.70	2586	2.42						
2800	1440	1094	0.14	1478	0.48	1979	1.08	2368	1.80	2659	2.58						
3100	1595	1211	0.19	1539	0.53	1991	1.13	2401	1.89	2713	2.72						
3400	1749	1328	0.25	1620	0.61	2007	1.18	2422	1.97	2756	2.85						
3700	1904	1445	0.33	1709	0.70	2043	1.26	2434	2.04	2782	2.96						
4000	2058	1562	0.41	1805	0.81	2098	1.37	2449	2.13	2800	3.06						
4300	2212	1679	0.51	1905	0.93	2158	1.48	2475	2.23	2811	3.16						
4600	2367	1797	0.63	2008	1.06	2233	1.62	2510	2.34	2827	3.27						
4900	2521	1914	0.76	2113	1.22	2318	1.78	2570	2.51	2850	3.39						
5200	2676	2031	0.90	2219	1.39	2408	1.96	2630	2.68	2886	3.55						
5500	2830	2148	1.07	2327	1.58	2502	2.16	2699	2.87								
5800	2984	2265	1.25	2435	1.78	2601	2.39	2780	3.10								
6100	3139	2382	1.46	2546	2.02	2701	2.64	2867	3.35								
6400	3293	2500	1.69	2655	2.26	2803	2.90										
6700	3448	2617	1.93	2766	2.54												
7000	3602	2734	2.21	2878	2.84												
7300	3756	2851	2.50														

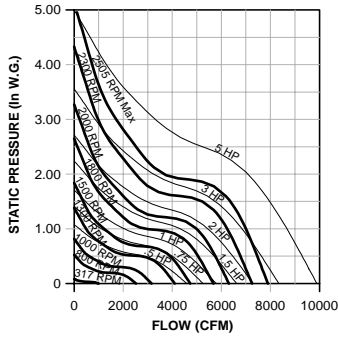
Performance shown is for installation type D: ducted inlet, ducted outlet. Power rating (BHP) includes drive losses. Performance ratings do not include the effects of appurtenances in the airstream. See page 32 for Altitude and Temperature Correction, and Tip Speed Limits.

18 AFBV-H / AFBV-S

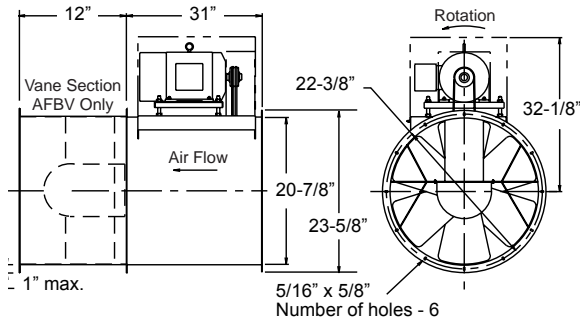
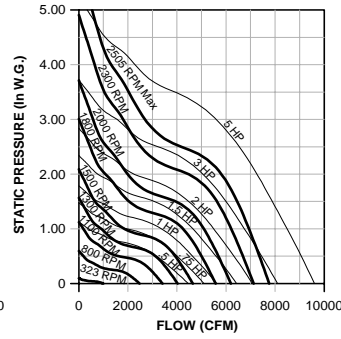
CFM	OV	0.000" SP		0.500" SP		1.000" SP		1.500" SP		2.000" SP		3.000" SP		4.000" SP		5.000" SP	
		RPM	BHP	RPM	BHP	RPM	BHP	RPM	BHP	RPM	BHP	RPM	BHP	RPM	BHP	RPM	BHP
1000	514	398	0.01	1124	0.22	1474	0.54	1742	0.93	1976	1.39	2369	2.47	2691	3.71		
1300	669	517	0.02	1183	0.23	1560	0.60	1827	1.01	2050	1.48	2437	2.58	2769	3.87		
1600	823	636	0.03	1219	0.25	1630	0.64	1913	1.10	2139	1.60	2513	2.72	2836	4.02		
1900	977	756	0.05	1249	0.28	1682	0.67	1984	1.16	2223	1.71	2603	2.91				
2200	1132	875	0.07	1290	0.32	1718	0.71	2040	1.21	2292	1.79	2689	3.08				
2500	1286	994	0.11	1350	0.37	1747	0.76	2082	1.26	2349	1.85	2764	3.22				
2800	1440	1113	0.15	1428	0.43	1778	0.82	2114	1.32	2394	1.92	2829	3.32				
3100	1595	1233	0.21	1516	0.51	1821	0.90	2143	1.40	2428	1.99	2884	3.42				
3400	1749	1352	0.28	1611	0.60	1879	1.00	2175	1.50	2458	2.09						
3700	1904	1471	0.36	1711	0.70	1950	1.11	2216	1.61	2486	2.20						
4000	2058	1591	0.45	1813	0.82	2031	1.24	2271	1.76	2519	2.34						
4300	2212	1710	0.56	1918	0.95	2118	1.39	2332	1.91	2563	2.50						
4600	2367	1829	0.68	2025	1.10	2211	1.56	2406	2.09	2618	2.69						
4900	2521	1948	0.83	2133	1.27	2308	1.75	2487	2.28	2678	2.89						
5200	2676	2068	0.99	2243	1.45	2408	1.96	2574	2.51	2749	3.12						
5500	2830	2187	1.17	2353	1.66	2510	2.19	2666	2.75	2828	3.37						
5800	2984	2306	1.37	2464	1.88	2614	2.44	2761	3.02								
6100	3139	2426	1.59	2577	2.13	2720	2.72	2859	3.32								
6400	3293	2545	1.84	2689	2.40	2826	3.01										
6700	3448	2664	2.11	2803	2.70												
7000	3602	2783	2.41														

Performance shown is for installation type D: ducted inlet, ducted outlet. Power rating (BHP) includes drive losses. Performance ratings do not include the effects of appurtenances in the airstream. See page 32 for Altitude and Temperature Correction, and Tip Speed Limits.

20 AFB-H / AFB-S



20 AFBV-H / AFBV-S



Prop Diameter - 20.69"
Prop Construction -
 H-High Temperature
 S-Stainless Steel
Maximum Frame - 184T
Tip Speed (FPM) = 5.41 x RPM
Approx. Shipping Wt. -
 AFB-H / AFB-S - 204 lbs.
 AFBV-H / AFBV-S - 277 lbs.

20 AFB-H / AFB-S

CFM	OV	0.000" SP		0.500" SP		1.000" SP		1.500" SP		2.000" SP		3.000" SP		4.000" SP		5.000" SP	
		RPM	BHP	RPM	BHP	RPM	BHP	RPM	BHP	RPM	BHP	RPM	BHP	RPM	BHP	RPM	BHP
1000	420	317	0.01	1091	0.29	1449	0.72	1719	1.23	1942	1.81	2308	3.12	2611	4.63		
1300	546	412	0.01	1159	0.33	1517	0.80	1792	1.35	2022	1.97	2400	3.38				
1600	673	507	0.02	1220	0.37	1585	0.88	1860	1.47	2092	2.13	2479	3.64				
1900	799	602	0.04	1260	0.41	1653	0.96	1928	1.59	2159	2.29	2549	3.87				
2200	925	698	0.06	1279	0.44	1714	1.04	1996	1.71	2228	2.45						
2500	1051	793	0.08	1290	0.46	1759	1.11	2062	1.83	2296	2.61						
2800	1178	888	0.11	1308	0.49	1790	1.18	2117	1.95	2362	2.77						
3100	1304	983	0.15	1342	0.54	1809	1.23	2160	2.06	2422	2.93						
3400	1430	1078	0.20	1392	0.60	1818	1.28	2190	2.15	2469	3.09						
3700	1556	1173	0.26	1452	0.67	1831	1.34	2211	2.24	2509	3.22						
4000	1683	1268	0.33	1522	0.75	1854	1.41	2222	2.31	2534	3.34						
4300	1809	1363	0.41	1597	0.85	1884	1.49	2233	2.39	2554	3.45						
4600	1935	1459	0.50	1676	0.96	1935	1.61	2245	2.47	2565	3.55						
4900	2061	1554	0.61	1758	1.09	1983	1.72	2271	2.59	2575	3.65						
5200	2187	1649	0.73	1841	1.23	2046	1.87	2298	2.70	2588	3.77						
5500	2314	1744	0.86	1927	1.39	2115	2.03	2348	2.87	2606	3.89						
5800	2440	1839	1.01	2013	1.56	2188	2.22	2397	3.05								
6100	2566	1934	1.17	2100	1.75	2264	2.42	2449	3.23								
6400	2692	2029	1.35	2189	1.96	2342	2.64	2513	3.45								
6700	2819	2124	1.55	2277	2.18	2423	2.88	2582	3.70								
7000	2945	2220	1.77	2367	2.43	2505	3.14										
7300	3071	2315	2.01	2456	2.69	2589	3.43										
7600	3197	2410	2.27	2546	2.97												
7900	3323	2505	2.55														

Performance shown is for installation type D: ducted inlet, ducted outlet. Power rating (BHP) includes drive losses. Performance ratings do not include the effects of appurtenances in the airstream. See page 32 for Altitude and Temperature Correction, and Tip Speed Limits.

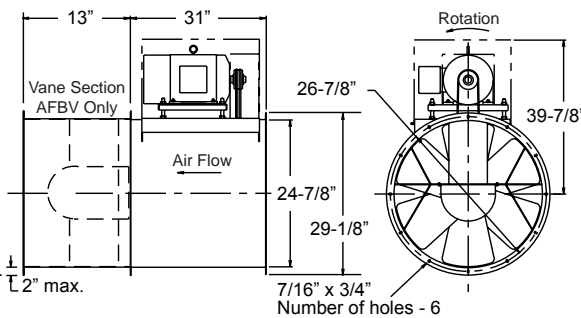
20 AFBV-H / AFBV-S

CFM	OV	0.000" SP		0.500" SP		1.000" SP		1.500" SP		2.000" SP		3.000" SP		4.000" SP		5.000" SP	
		RPM	BHP	RPM	BHP	RPM	BHP	RPM	BHP	RPM	BHP	RPM	BHP	RPM	BHP	RPM	BHP
1000	420	323	0.01	1002	0.24	1318	0.59	1570	1.04	1785	1.56	2138	2.78	2426	4.18		
1300	546	420	0.01	1059	0.26	1390	0.66	1632	1.12	1840	1.64	2200	2.90	2502	4.37		
1600	673	516	0.02	1097	0.28	1455	0.71	1704	1.21	1908	1.76	2255	3.02	2558	4.52		
1900	799	613	0.04	1123	0.30	1507	0.74	1771	1.29	1980	1.88	2323	3.20				
2200	925	710	0.06	1147	0.33	1545	0.78	1825	1.35	2046	1.99	2395	3.38				
2500	1051	807	0.09	1183	0.37	1573	0.81	1869	1.39	2101	2.06	2465	3.56				
2800	1178	904	0.12	1232	0.42	1597	0.87	1903	1.44	2147	2.13	2526	3.69				
3100	1304	1001	0.17	1294	0.49	1622	0.93	1930	1.51	2184	2.19	2580	3.81				
3400	1430	1098	0.22	1364	0.56	1655	1.01	1953	1.58	2214	2.26						
3700	1556	1194	0.29	1439	0.65	1699	1.10	1978	1.68	2238	2.36						
4000	1683	1291	0.36	1519	0.75	1750	1.21	2008	1.79	2261	2.46						
4300	1809	1388	0.45	1601	0.86	1812	1.34	2044	1.91	2286	2.59						
4600	1935	1485	0.55	1685	0.98	1879	1.47	2091	2.06	2316	2.74						
4900	2061	1582	0.66	1770	1.12	1952	1.63	2144	2.23	2351	2.91						
5200	2187	1679	0.79	1857	1.28	2027	1.81	2205	2.41	2398	3.10						
5500	2314	1775	0.94	1945	1.45	2106	2.00	2271	2.61	2446	3.31						
5800	2440	1872	1.10	2034	1.63	2187	2.21	2341	2.84	2503	3.54						
6100	2566	1969	1.28	2123	1.83	2269	2.44	2415	3.08	2566	3.79						
6400	2692	2066	1.48	2213	2.06	2353	2.69	2491	3.35								
6700	2819	2163	1.70	2304	2.30	2438	2.96	2569	3.64								
7000	2945	2260	1.94	2395	2.56	2524	3.24										
7300	3071	2357	2.20	2487	2.85	2611	3.55										
7600	3197	2453	2.48	2579	3.15												
7900	3323	2550	2.78														

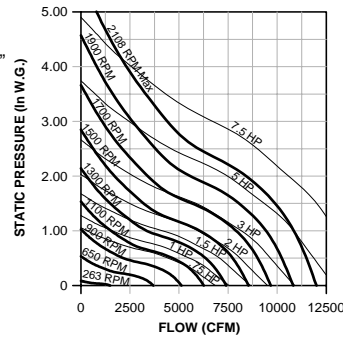
Performance shown is for installation type D: ducted inlet, ducted outlet. Power rating (BHP) includes drive losses. Performance ratings do not include the effects of appurtenances in the airstream. See page 32 for Altitude and Temperature Correction, and Tip Speed Limits.

24 AFB-H/AFB-S/AFBV-H/AFBV-S Data

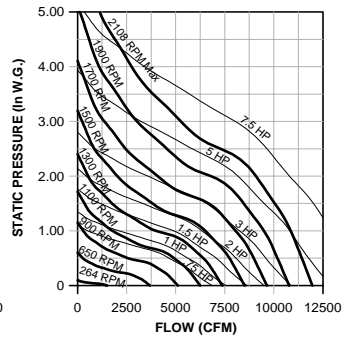
Prop Diameter - 24.69"
Prop Construction -
 H-High Temperature
 S-Stainless Steel
Maximum Frame - 213T
Tip Speed (FPM) = 6.46
 x RPM
Approx. Shipping Wt. -
AFB-H / AFB-S - 243 lbs.
AFBV-H / AFBV-S - 330
 lbs.



24 AFB-H / AFB-S



24 AFBV-H / AFBV-S



24 AFB-H / AFB-S

CFM	OV	0.000" SP		0.500" SP		1.000" SP		1.500" SP		2.000" SP		3.000" SP		4.000" SP		5.000" SP	
		RPM	BHP	RPM	BHP	RPM	BHP	RPM	BHP	RPM	BHP	RPM	BHP	RPM	BHP	RPM	BHP
1500	444	263	0.01	826	0.39	1096	0.98	1301	1.70	1472	2.53	1759	4.47	1999	6.70		
2000	592	351	0.02	883	0.44	1154	1.08	1361	1.85	1535	2.72	1824	4.74	2067	7.08		
2500	740	439	0.04	929	0.49	1212	1.18	1420	2.00	1594	2.92	1886	5.03	2130	7.44		
3000	888	527	0.06	965	0.54	1267	1.28	1478	2.16	1653	3.13	1945	5.33				
3500	1037	615	0.10	998	0.59	1311	1.38	1533	2.30	1711	3.34	2003	5.64				
4000	1185	703	0.15	1036	0.67	1348	1.47	1582	2.45	1766	3.53	2062	5.95				
4500	1333	790	0.21	1082	0.76	1381	1.57	1623	2.59	1816	3.73	2120	6.26				
5000	1481	878	0.29	1134	0.87	1414	1.69	1658	2.72	1859	3.91	2174	6.56				
5500	1629	966	0.39	1191	0.99	1452	1.84	1690	2.87	1896	4.09						
6000	1777	1054	0.50	1253	1.12	1495	2.01	1723	3.05	1929	4.28						
6500	1926	1142	0.64	1320	1.28	1543	2.21	1759	3.26	1962	4.50						
7000	2074	1229	0.80	1391	1.47	1596	2.43	1800	3.51	1995	4.74						
7500	2222	1317	0.98	1465	1.69	1652	2.66	1845	3.79	2031	5.02						
8000	2370	1405	1.19	1541	1.94	1711	2.91	1894	4.09	2072	5.35						
8500	2518	1493	1.43	1619	2.22	1774	3.18	1946	4.41	2116	5.71						
9000	2666	1581	1.70	1699	2.54	1840	3.49	2002	4.76	2164	6.10						
9500	2814	1669	1.99	1780	2.89	1910	3.85	2059	5.11								
10000	2963	1756	2.32	1861	3.27	1982	4.25	2120	5.50								
10500	3111	1844	2.69	1944	3.69	2056	4.68	2184	5.93								
11000	3259	1932	3.09	2026	4.13	2131	5.16										
11500	3407	2020	3.54	2110	4.62												
12000	3555	2108	4.02														

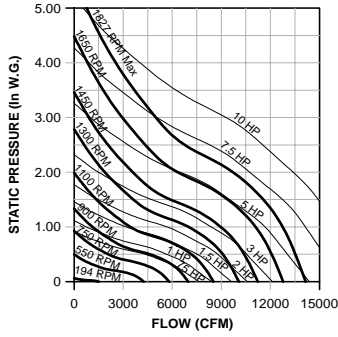
Performance shown is for installation type D: ducted inlet, ducted outlet. Power rating (BHP) includes drive losses. Performance ratings do not include the effects of appurtenances in the airstream. See page 32 for Altitude and Temperature Correction, and Tip Speed Limits.

24 AFBV-H / AFBV-S

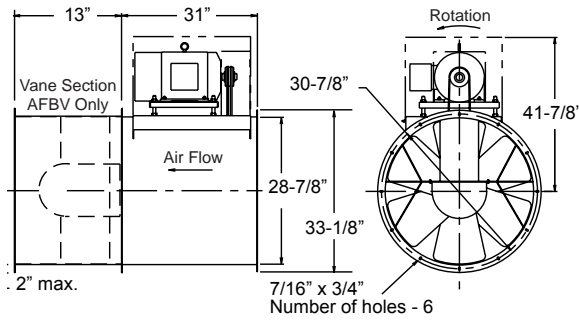
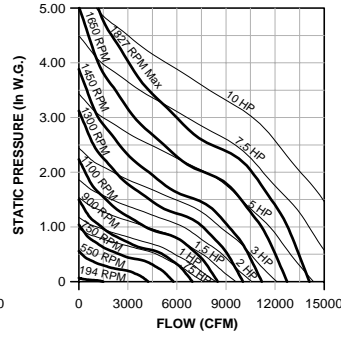
CFM	OV	0.000" SP		0.500" SP		1.000" SP		1.500" SP		2.000" SP		3.000" SP		4.000" SP		5.000" SP	
		RPM	BHP	RPM	BHP	RPM	BHP	RPM	BHP	RPM	BHP	RPM	BHP	RPM	BHP	RPM	BHP
1500	444	264	0.01	801	0.35	1069	0.90	1267	1.58	1433	2.36	1715	4.18	1954	6.31		
2000	592	352	0.02	846	0.39	1122	0.98	1329	1.70	1497	2.52	1775	4.40	2012	6.59		
2500	740	441	0.04	894	0.44	1166	1.06	1378	1.81	1555	2.68	1840	4.65	2075	6.90		
3000	888	529	0.06	929	0.48	1213	1.14	1422	1.92	1602	2.83	1897	4.89	2139	7.25		
3500	1037	617	0.10	957	0.54	1261	1.23	1469	2.04	1645	2.97	1946	5.12				
4000	1185	705	0.15	995	0.61	1300	1.32	1518	2.18	1692	3.13	1990	5.34				
4500	1333	793	0.21	1049	0.71	1328	1.42	1563	2.32	1741	3.31	2035	5.57				
5000	1481	881	0.29	1112	0.83	1356	1.53	1598	2.45	1788	3.50	2083	5.81				
5500	1629	969	0.39	1177	0.97	1392	1.67	1626	2.60	1828	3.68	2131	6.07				
6000	1777	1057	0.50	1243	1.11	1441	1.85	1653	2.76	1859	3.87	2178	6.35				
6500	1926	1145	0.64	1313	1.28	1500	2.07	1687	2.97	1885	4.06						
7000	2074	1234	0.80	1386	1.47	1563	2.32	1731	3.21	1913	4.29						
7500	2222	1322	0.99	1463	1.70	1628	2.58	1782	3.50	1947	4.56						
8000	2370	1410	1.20	1542	1.96	1694	2.86	1842	3.84	1990	4.88						
8500	2518	1498	1.43	1622	2.25	1761	3.15	1905	4.20	2040	5.26						
9000	2666	1586	1.70	1704	2.58	1830	3.48	1970	4.59	2098	5.69						
9500	2814	1674	2.00	1786	2.93	1901	3.84	2035	4.99	2159	6.15						
10000	2963	1762	2.33	1869	3.32	1976	4.25	2101	5.42								
10500	3111	1850	2.70	1953	3.75	2052	4.70	2169	5.87								
11000	3259	1938	3.11	2037	4.22	2130	5.19										
11500	3407	2027	3.55	2121	4.72												
12000	3555	2115	4.04														

Performance shown is for installation type D: ducted inlet, ducted outlet. Power rating (BHP) includes drive losses. Performance ratings do not include the effects of appurtenances in the airstream. See page 32 for Altitude and Temperature Correction, and Tip Speed Limits.

28 AFB-H / AFB-S



28 AFBV-H / AFBV-S



Prop Diameter - 28.69"
 Prop Construction -
 H-High Temperature
 S-Stainless Steel
 Maximum Frame - 215T
 Tip Speed (FPM) = 7.51
 x RPM
 Approx. Shipping Wt. -
 AFB-H / AFB-S - 282 lbs.
 AFBV-H / AFBV-S - 383
 lbs.

28 AFB-H / AFB-S

CFM	OV	0.000" SP		0.500" SP		1.000" SP		1.500" SP		2.000" SP		3.000" SP		4.000" SP		5.000" SP	
		RPM	BHP	RPM	BHP	RPM	BHP	RPM	BHP	RPM	BHP	RPM	BHP	RPM	BHP	RPM	BHP
1500	329	194	0.01	700	0.45	935	1.15	1113	2.01	1263	3.00	1513	5.32	1723	8.00		
2050	450	265	0.01	747	0.51	983	1.26	1164	2.17	1315	3.21	1568	5.64	1779	8.44		
2600	571	336	0.03	790	0.56	1031	1.38	1212	2.34	1365	3.44	1619	5.95	1833	8.87		
3150	692	407	0.05	824	0.62	1077	1.49	1259	2.51	1412	3.66	1668	6.28	1883	9.28		
3700	813	478	0.09	851	0.67	1119	1.60	1306	2.69	1459	3.90	1716	6.63				
4250	934	549	0.13	878	0.74	1154	1.71	1350	2.86	1506	4.13	1763	6.98				
4800	1055	620	0.19	910	0.83	1183	1.81	1389	3.02	1551	4.36	1810	7.33				
5350	1176	691	0.26	947	0.93	1210	1.92	1422	3.17	1591	4.58	1857	7.68				
5900	1297	762	0.35	989	1.05	1237	2.06	1450	3.33	1626	4.78						
6450	1418	833	0.45	1035	1.19	1266	2.22	1477	3.50	1657	4.99						
7000	1539	904	0.58	1084	1.33	1301	2.42	1503	3.69	1684	5.20						
7550	1660	975	0.73	1137	1.51	1339	2.64	1531	3.91	1710	5.43						
8100	1781	1046	0.90	1193	1.70	1380	2.87	1563	4.18	1736	5.68						
8650	1902	1117	1.09	1252	1.94	1424	3.13	1598	4.48	1764	5.98						
9200	2023	1188	1.31	1313	2.21	1470	3.40	1636	4.81	1795	6.32						
9750	2144	1259	1.56	1375	2.50	1519	3.69	1677	5.17	1829	6.71						
10300	2264	1330	1.84	1438	2.83	1571	4.01	1720	5.54	1866	7.14						
10850	2385	1401	2.15	1503	3.20	1625	4.37	1765	5.93								
11400	2506	1472	2.50	1569	3.60	1681	4.78	1812	6.34								
11950	2627	1543	2.87	1634	4.03	1740	5.23	1861	6.78								
12500	2748	1614	3.29	1702	4.51	1800	5.73										
13050	2869	1685	3.74	1768	5.01	1861	6.28										
13600	2990	1756	4.24	1836	5.56												
14150	3111	1827	4.77														

Performance shown is for installation type D: ducted inlet, ducted outlet. Power rating (BHP) includes drive losses. Performance ratings do not include the effects of appurtenances in the airstream. See page 32 for Altitude and Temperature Correction, and Tip Speed Limits.

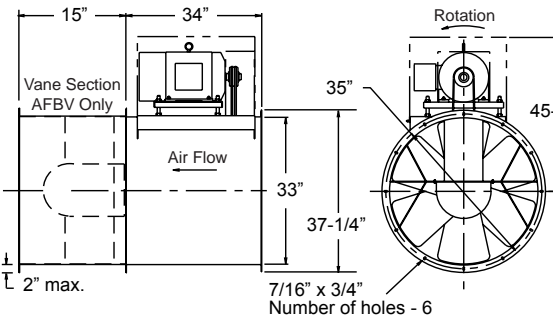
28 AFBV-H / AFBV-S

CFM	OV	0.000" SP		0.500" SP		1.000" SP		1.500" SP		2.000" SP		3.000" SP		4.000" SP		5.000" SP	
		RPM	BHP	RPM	BHP	RPM	BHP	RPM	BHP	RPM	BHP	RPM	BHP	RPM	BHP	RPM	BHP
1500	329	194	0.01	682	0.41	910	1.06	1084	1.87	1231	2.81	1480	5.02	1687	7.58	1867	10.40
2050	450	266	0.01	719	0.45	959	1.15	1135	2.01	1281	2.98	1526	5.25	1735	7.90		
2600	571	337	0.03	757	0.50	997	1.24	1182	2.15	1332	3.17	1577	5.52	1783	8.23		
3150	692	408	0.05	794	0.55	1034	1.33	1219	2.27	1375	3.34	1628	5.80	1835	8.60		
3700	813	479	0.09	820	0.61	1073	1.42	1255	2.39	1412	3.51	1673	6.08				
4250	934	550	0.13	842	0.67	1110	1.52	1294	2.54	1448	3.68	1711	6.32				
4800	1055	622	0.19	875	0.76	1141	1.63	1333	2.69	1486	3.86	1747	6.58				
5350	1176	693	0.26	918	0.87	1164	1.74	1369	2.84	1525	4.06	1783	6.83				
5900	1297	764	0.35	969	1.01	1186	1.86	1398	3.00	1563	4.27	1822	7.12				
6450	1418	835	0.45	1021	1.15	1214	2.02	1421	3.16	1597	4.48	1861	7.41				
7000	1539	907	0.58	1075	1.32	1252	2.22	1443	3.34	1623	4.69						
7550	1660	978	0.73	1130	1.49	1297	2.45	1468	3.55	1645	4.90						
8100	1781	1049	0.90	1188	1.70	1347	2.72	1500	3.81	1667	5.15						
8650	1902	1120	1.09	1249	1.94	1399	3.01	1538	4.11	1691	5.43						
9200	2023	1192	1.32	1312	2.22	1452	3.31	1584	4.47	1721	5.76						
9750	2144	1263	1.57	1376	2.53	1505	3.63	1634	4.87	1760	6.16						
10300	2264	1334	1.85	1442	2.87	1560	3.98	1685	5.28	1802	6.60						
10850	2385	1405	2.16	1508	3.25	1616	4.35	1738	5.73	1849	7.09						
11400	2506	1477	2.51	1575	3.66	1674	4.77	1791	6.20								
11950	2627	1548	2.89	1642	4.11	1735	5.24	1845	6.68								
12500	2748	1619	3.30	1709	4.59	1796	5.74										
13050	2869	1690	3.76	1777	5.11	1859	6.30										
13600	2990	1762	4.26	1845	5.67												
14150	3111	1833	4.79														

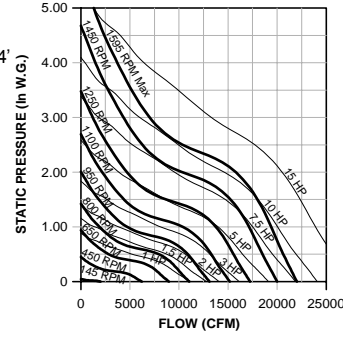
Performance shown is for installation type D: ducted inlet, ducted outlet. Power rating (BHP) includes drive losses. Performance ratings do not include the effects of appurtenances in the airstream. See page 32 for Altitude and Temperature Correction, and Tip Speed Limits.

32 AFB-H/AFB-S/AFBV-H/AFBV-S Data

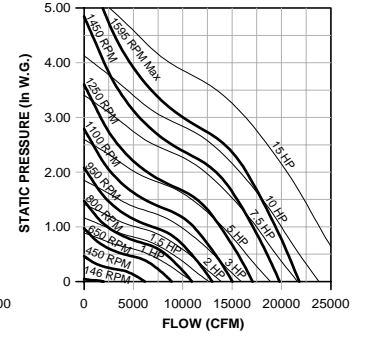
Prop Diameter - 32.75"
Prop Construction -
 H-High Temperature
 S-Stainless Steel
Maximum Frame - 254T
Tip Speed (FPM) = 8.57
 x RPM
Approx. Shipping Wt. -
AFB-H / AFB-S - 392 lbs.
AFBV-H / AFBV-S - 516
 lbs.



32 AFB-H / AFB-S



32 AFBV-H / AFBV-S



32 AFB-H / AFB-S

CFM	OV	0.000" SP		0.500" SP		1.000" SP		1.500" SP		2.000" SP		3.000" SP		4.000" SP		5.000" SP	
		RPM	BHP	RPM	BHP	RPM	BHP	RPM	BHP	RPM	BHP	RPM	BHP	RPM	BHP	RPM	BHP
2000	336	145	0.01	605	0.63	806	1.59	960	2.81	1089	4.23	1306	7.60	1487	11.50	1646	15.80
3000	505	217	0.02	658	0.73	866	1.83	1021	3.12	1151	4.59	1368	8.02	1552	12.10		
4000	673	290	0.05	696	0.84	919	2.03	1079	3.47	1211	5.07	1429	8.65	1613	12.80		
5000	841	362	0.09	721	0.96	962	2.23	1130	3.75	1266	5.49	1489	9.38				
6000	1010	435	0.15	742	1.09	994	2.46	1173	4.06	1315	5.85	1544	10.00				
7000	1178	507	0.24	767	1.21	1019	2.72	1208	4.40	1358	6.28	1595	10.60				
8000	1346	580	0.37	802	1.36	1039	2.97	1235	4.77	1392	6.73	1640	11.20				
9000	1515	653	0.52	847	1.55	1061	3.21	1257	5.16	1420	7.22						
10000	1683	725	0.72	899	1.80	1088	3.45	1277	5.53	1443	7.74						
11000	1851	798	0.95	957	2.12	1122	3.73	1299	5.89	1464	8.25						
12000	2020	870	1.24	1018	2.49	1163	4.08	1325	6.25	1484	8.74						
13000	2188	943	1.57	1082	2.94	1211	4.51	1357	6.65	1507	9.21						
14000	2357	1015	1.96	1147	3.44	1264	5.02	1395	7.12	1534	9.69						
15000	2525	1088	2.42	1214	4.03	1320	5.61	1439	7.68	1566	10.20						
16000	2693	1160	2.93	1281	4.67	1379	6.29	1487	8.33	1604	10.80						
17000	2862	1233	3.52	1349	5.39	1441	7.07	1539	9.09	1646	11.60						
18000	3030	1305	4.17	1416	6.16	1504	7.93	1595	9.96								
19000	3198	1378	4.91	1485	7.03	1569	8.90										
20000	3367	1450	5.73	1553	7.96	1635	9.95										
21000	3535	1523	6.63	1621	8.97												
22000	3703	1595	7.62														

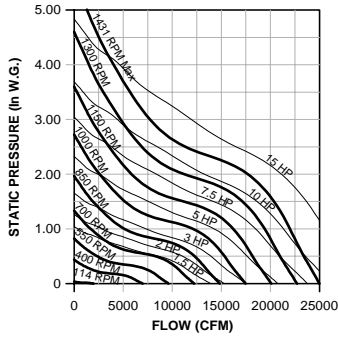
Performance shown is for installation type D: ducted inlet, ducted outlet. Power rating (BHP) includes drive losses. Performance ratings do not include the effects of appurtenances in the airstream. See page 32 for Altitude and Temperature Correction, and Tip Speed Limits.

32 AFBV-H / AFBV-S

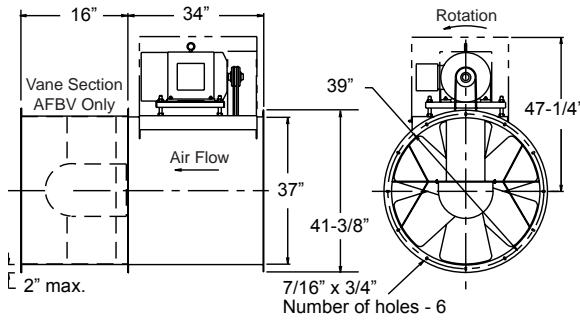
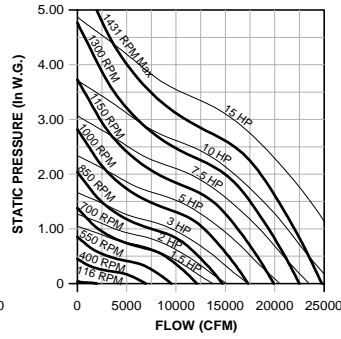
CFM	OV	0.000" SP		0.500" SP		1.000" SP		1.500" SP		2.000" SP		3.000" SP		4.000" SP		5.000" SP	
		RPM	BHP	RPM	BHP	RPM	BHP	RPM	BHP	RPM	BHP	RPM	BHP	RPM	BHP	RPM	BHP
2000	336	146	0.01	580	0.57	782	1.47	934	2.60	1060	3.90	1271	6.98	1447	10.60	1602	14.60
3000	505	220	0.02	618	0.66	827	1.65	984	2.85	1114	4.22	1330	7.42	1510	11.10		
4000	673	293	0.05	649	0.73	866	1.82	1027	3.12	1160	4.58	1380	7.92	1563	11.80		
5000	841	366	0.09	674	0.80	898	1.96	1064	3.37	1200	4.93	1425	8.46	1611	12.50		
6000	1010	439	0.16	701	0.92	926	2.10	1097	3.59	1236	5.26	1465	9.00				
7000	1178	512	0.25	738	1.08	951	2.26	1125	3.78	1269	5.55	1503	9.52				
8000	1346	585	0.38	786	1.27	977	2.47	1151	4.00	1297	5.80	1536	9.96				
9000	1515	659	0.54	840	1.51	1008	2.75	1176	4.28	1323	6.08	1566	10.40				
10000	1683	732	0.74	897	1.79	1048	3.08	1202	4.62	1348	6.43	1594	10.70				
11000	1852	805	0.99	957	2.12	1095	3.46	1234	5.04	1373	6.84	1620	11.20				
12000	2020	878	1.28	1019	2.50	1147	3.90	1273	5.53	1402	7.35	1645	11.70				
13000	2188	951	1.63	1082	2.95	1203	4.41	1317	6.07	1436	7.94						
14000	2357	1024	2.03	1146	3.46	1261	4.98	1368	6.70	1476	8.61						
15000	2525	1098	2.51	1211	4.04	1320	5.60	1422	7.40	1521	9.35						
16000	2693	1171	3.04	1278	4.70	1381	6.31	1478	8.17	1571	10.20						
17000	2862	1244	3.65	1345	5.42	1443	7.11	1535	9.00	1624	11.10						
18000	3030	1317	4.33	1413	6.22	1506	7.98	1595	9.94								
19000	3198	1390	5.09	1481	7.09	1569	8.94										
20000	3367	1463	5.93	1550	8.05	1634	10.00										
21000	3535	1537	6.88	1619	9.10												
22000	3704	1610	7.90														

Performance shown is for installation type D: ducted inlet, ducted outlet. Power rating (BHP) includes drive losses. Performance ratings do not include the effects of appurtenances in the airstream. See page 32 for Altitude and Temperature Correction, and Tip Speed Limits.

36 AFB-H / AFB-S



36 AFBV-H / AFBV-S



Prop Diameter - 36.75"
 Prop Construction -
 H-High Temperature
 S-Stainless Steel
 Maximum Frame - 256T
 Tip Speed (FPM) = 9.62
 x RPM
 Approx. Shipping Wt. -
 AFB-H / AFB-S - 440 lbs.
 AFBV-H / AFBV-S - 583
 lbs.

36 AFB-H / AFB-S

CFM	OV	0.000" SP		0.500" SP		1.000" SP		1.500" SP		2.000" SP		3.000" SP		4.000" SP		5.000" SP	
		RPM	BHP	RPM	BHP	RPM	BHP	RPM	BHP	RPM	BHP	RPM	BHP	RPM	BHP	RPM	BHP
2000	267	114	0.00	534	0.71	715	1.81	854	3.23	971	4.89	1165	8.75	1328	13.20		
3000	401	172	0.02	578	0.82	763	2.04	902	3.50	1019	5.18	1216	9.20	1381	13.90		
4000	535	229	0.04	613	0.92	807	2.26	949	3.86	1068	5.66	1264	9.73	1430	14.50		
5000	669	286	0.07	639	1.04	846	2.46	993	4.19	1113	6.12	1312	10.40				
6000	803	343	0.12	657	1.17	877	2.67	1032	4.48	1156	6.54	1358	11.20				
7000	937	401	0.19	673	1.30	902	2.92	1065	4.80	1194	6.92	1402	11.80				
8000	1071	458	0.29	693	1.42	921	3.18	1091	5.14	1227	7.35	1441	12.40				
9000	1205	515	0.41	720	1.56	937	3.44	1113	5.52	1254	7.80						
10000	1339	572	0.56	754	1.75	954	3.69	1131	5.92	1277	8.30						
11000	1473	630	0.74	793	1.98	973	3.93	1147	6.31	1297	8.83						
12000	1607	687	0.97	837	2.28	997	4.19	1164	6.69	1314	9.36						
13000	1741	744	1.23	884	2.63	1027	4.51	1182	7.04	1330	9.87						
14000	1874	801	1.53	933	3.03	1061	4.89	1204	7.42	1346	10.40						
15000	2008	859	1.89	984	3.50	1099	5.33	1230	7.84	1365	10.80						
16000	2142	916	2.29	1035	4.01	1141	5.86	1260	8.32	1386	11.30						
17000	2276	973	2.74	1088	4.60	1185	6.46	1294	8.88	1411	11.90						
18000	2410	1030	3.25	1141	5.25	1232	7.15	1333	9.57	1440	12.50						
19000	2544	1088	3.83	1194	5.95	1280	7.91	1372	10.30								
20000	2678	1145	4.47	1248	6.73	1330	8.76	1415	11.10								
21000	2812	1202	5.17	1302	7.57	1380	9.67	1460	12.00								
22000	2946	1259	5.94	1355	8.45	1432	10.70										
23000	3080	1317	6.80	1409	9.42												
24000	3214	1374	7.72	1463	10.50												
25000	3348	1431	8.73														

Performance shown is for installation type D: ducted inlet, ducted outlet. Power rating (BHP) includes drive losses. Performance ratings do not include the effects of appurtenances in the airstream. See page 32 for Altitude and Temperature Correction, and Tip Speed Limits.

36 AFBV-H / AFBV-S

CFM	OV	0.000" SP		0.500" SP		1.000" SP		1.500" SP		2.000" SP		3.000" SP		4.000" SP		5.000" SP	
		RPM	BHP	RPM	BHP	RPM	BHP	RPM	BHP	RPM	BHP	RPM	BHP	RPM	BHP	RPM	BHP
2000	267	116	0.00	514	.64	695	1.68	831	2.97	945	4.49	1134	8.05	1293	12.20		
3000	401	173	.02	547	.74	733	1.85	873	3.21	990	4.80	1183	8.49	1345	12.80		
4000	535	231	.04	573	.81	766	2.04	909	3.49	1028	5.14	1225	8.96	1389	13.40		
5000	669	289	.07	595	.88	794	2.20	941	3.77	1062	5.51	1263	9.50	1430	14.10		
6000	803	347	.13	615	.97	819	2.34	969	4.01	1093	5.88	1297	10.10	1466	14.80		
7000	937	404	.20	637	1.10	840	2.48	995	4.24	1121	6.20	1329	10.60				
8000	1071	462	.30	667	1.26	860	2.64	1017	4.43	1146	6.49	1358	11.10				
9000	1205	520	.42	704	1.46	880	2.86	1038	4.66	1169	6.76	1385	11.60				
10000	1339	578	.58	746	1.69	903	3.12	1057	4.91	1190	7.03	1409	12.00				
11000	1473	636	.77	791	1.96	932	3.44	1077	5.24	1210	7.36	1432	12.40				
12000	1607	693	1.00	837	2.27	967	3.82	1100	5.64	1229	7.75	1453	12.80				
13000	1741	751	1.27	885	2.63	1006	4.23	1127	6.09	1250	8.22						
14000	1874	809	1.59	934	3.04	1049	4.71	1160	6.62	1274	8.76						
15000	2008	867	1.96	984	3.51	1093	5.23	1196	7.20	1302	9.39						
16000	2142	924	2.37	1035	4.04	1138	5.80	1236	7.84	1334	10.10						
17000	2276	982	2.84	1086	4.62	1185	6.45	1278	8.54	1369	10.80						
18000	2410	1040	3.38	1138	5.27	1233	7.16	1322	9.31	1407	11.60						
19000	2544	1098	3.97	1191	5.99	1282	7.94	1367	10.10	1449	12.50						
20000	2678	1156	4.64	1244	6.76	1331	8.79	1413	11.00								
21000	2812	1213	5.36	1298	7.62	1381	9.73	1460	12.00								
22000	2946	1271	6.16	1352	8.53	1431	10.70										
23000	3080	1329	7.05	1407	9.54												
24000	3214	1387	8.01	1461	10.60												
25000	3348	1444	9.04														

Performance shown is for installation type D: ducted inlet, ducted outlet. Power rating (BHP) includes drive losses. Performance ratings do not include the effects of appurtenances in the airstream. See page 32 for Altitude and Temperature Correction, and Tip Speed Limits.

Air Density and Temperature Factors

Altitude and Temperature Selection

When selecting the AFB-H or AFBV-H for your application, correct for altitude and temperature. Using the following procedures make the necessary corrections for these conditions.

Step 1 - Correct the operating static pressure (SP_{OPER}) to standard conditions (SP_{STD}) based on operating temperature and altitude. Use air density correction factor (C_a) from the table below.

$$SP_{STD} = SP_{OPER} / C_a$$

Step 2 - Select the size fan needed to operate the unit at the desired CFM and standard static pressure by using the performance tables.

Step 3 - From the performance table, select the BHP (BHP_{STD}) for the specific unit and convert it to actual operating BHP (BHP_{OPER}) by multiplying it by the air density correction factor (C_a).

$$BHP_{OPER} = BHP_{STD} \times C_a$$

Example

8800 CFM

1" w.g. static pressure

400°F

6,000 ft.

Step 1 - At an altitude of 6,000 ft. and temperature of 400°F, the air density correction factory (C_a) is 0.494.

$$ST_{STD} = 1" \text{ w.g.} / 0.494 = 2.02 \text{ or approximately } 2"$$

Step 2 - Now, we select from the performance table a 28 AFBV-H. The cataloged performance is 1699 RPM and 4.67 BHP. The 4.67 BHP is for 0.075 density and not actual operating density.

Step 3 - Convert the BHP to actual conditions.

$$BHP_{OPER} = 4.67 BHP_{STD} \times 0.494 = 2.31$$

Summary - For a 28 AFBV-H to deliver 8,800 CFM of 400°F air 1" w.g. static pressure at 6,000 ft. elevation, the fan will require 1699 RPM and 2.31 BHP.

Air Density Correction Factor (C_a)

Air Temp °F	Altitude in Feet Above Sea Level												
	0	1000	2000	3000	4000	5000	6000	7000	8000	9000	10000	15000	20000
	Barometric Pressure in Inches of Mercury												
	29.92	28.86	27.82	26.82	25.84	24.90	23.98	23.09	22.22	21.39	20.58	16.89	13.75
70	1.000	0.965	0.930	0.896	0.864	0.832	0.801	0.772	0.743	0.715	0.688	0.564	0.460
100	0.946	0.913	0.880	0.848	0.817	0.788	0.758	0.730	0.703	0.677	0.651	0.534	0.435
150	0.869	0.838	0.808	0.779	0.750	0.723	0.696	0.670	0.645	0.621	0.598	0.490	0.399
200	0.803	0.774	0.747	0.720	0.693	0.668	0.644	0.620	0.596	0.574	0.552	0.453	0.369
250	0.746	0.720	0.694	0.669	0.645	0.621	0.598	0.576	0.554	0.534	0.513	0.421	0.343
300	0.697	0.673	0.648	0.625	0.602	0.580	0.559	0.538	0.518	0.498	0.480	0.394	0.320
350	0.654	0.631	0.608	0.586	0.565	0.544	0.524	0.505	0.486	0.468	0.450	0.369	0.301
400	0.616	0.594	0.573	0.552	0.532	0.513	0.494	0.475	0.458	0.440	0.424	0.348	0.283
450	0.582	0.562	0.541	0.522	0.503	0.485	0.467	0.449	0.432	0.416	0.400	0.329	0.268
500	0.552	0.532	0.513	0.495	0.477	0.459	0.442	0.426	0.410	0.395	0.380	0.312	0.254

Maximum Tip Speed

Product	Maximum Tip Speeds (FPM) for Various Temperatures Temperature in °F						
	-50	0	70	180	350	400	500
AFB-C/AFBV-C	22219	22219	22219	22219	-	-	-
AFB-H/AFBV-H	10039	14140	14140	14140	13291	13150	12584
AFB-S/AFBV-S	10039	14140	14140	14140	-	-	-



LOREN COOK COMPANY

2015 E. DALE STREET
SPRINGFIELD, MO 65803-4637
417.869.6474
FAX 417.862.3820
lorencook.com