



TWISTER CLOSING WHEEL

6200-005, 6200-006, 6200-007, 6200-008, 6200-009, 6200-030

OPERATOR MANUAL

PARTS IDENTIFICATION

2565-797_REV_C • 11/2019



YETTER MANUFACTURING CO.

FOUNDED 1930

Colchester, IL 62326-0358

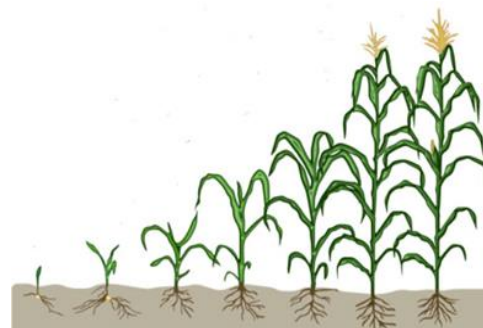
Toll free: 800/447-5777

309/776-3222 (Fax)

Website: www.yetterco.com

E-mail: info@yetterco.com

GERMINATE UNIFORMITY™



FOREWORD

You've just joined an exclusive but rapidly growing club.

For our part, we want to welcome you to the group and thank you for buying a Yetter product.

We hope your new Yetter products will help you achieve both goals-increase your productivity and increase your efficiency so that you may generate more profit.

This operator's manual has been designed into four major sections: Foreword, Safety Precautions, Installation Instructions and Parts Breakdown.



This **SAFETY ALERT SYMBOL** indicates important safety messages in the manual. When you see this symbol, be alert to the possibility of **PERSONAL INJURY** and carefully read the message that follows.

The word **NOTE** is used to convey information that is out of context with the manual text. It contains special information such as specifications, techniques and reference information of a supplementary nature.

The word **IMPORTANT** is used in the text when immediate damage will occur to the machine due to improper technique or operation. Important will apply to the same information as specified by note only of an immediate and urgent nature.

It is the responsibility of the user to read the operator's manual and comply with the safe and correct operating procedure and to lubricate and maintain the product according to the maintenance schedule in the operator's manual.

The user is responsible for inspecting his machine and for having parts repaired or replaced when continued use of the product would cause damage or excessive wear to the other parts.

It is the user's responsibility to deliver his machine to the Yetter dealer who sold him the product for service or replacement of defective parts, which are covered by the warranty policy.

If you are unable to understand or follow the instructions provided in this publication, consult your local Yetter dealer or contact:

YETTER MANUFACTURING CO.

309/776-4111

800/447-5777

309/776-3222 (FAX)

Website: www.yetterco.com

E-mail: info@yetterco.com

WARRANTY

Yetter Manufacturing warrants all products manufactured and sold by it against defects in material. This warranty being expressly limited to replacement at the factory of such parts or products as shall appear to be defective after inspection. This warranty does not obligate the Company to bear cost of labor in replacement of parts. It is the policy of the Company to make improvements without incurring obligations to add them to any unit already sold. No warranty is made or authorized to be made, other than herein set forth. This warranty is in effect for one year after purchase.

DEALER _____

Yetter Manufacturing warrants its own products only and cannot be responsible for damages to equipment on which mounted.

SAFETY PRECAUTIONS

A brief description of signal words that may be used in this manual:

CAUTION: Used as a general reminder of good safety practices or to direct attention to unsafe practices.

WARNING: Denotes a specific potential hazard.

DANGER: Denotes the most serious specific potential hazard.



CAUTION

Consult your implement and tractor operator's manual for correct and safe operating practices. Be aware of towed implement width and allow safe clearance.



CAUTION: SAFETY SIGNS

Safety decals are placed on the implement to alert the operator and others to the risk of personal injury or unsafe operation during normal operations and servicing.

1. The safety decals must be kept clean and in good condition to ensure that they are legible.
2. Safety decals must be replaced if they are missing or illegible.
3. When components are replaced during repair or servicing, check that the new components include the necessary safety signs.
4. Replacement safety decals may be obtained from your local dealer.



WARNING

Read these instructions carefully to acquaint yourself with the Equipment. Working with unfamiliar equipment can lead to accidents.

Never park the equipment on a steep incline or leave the equipment running unattended.

Never clean, lubricate or adjust a machine that is in motion.

Always check that straps are secure.

Make sure latches are in pinned position when moving equipment.

Do not allow children to operate this equipment.

Do not allow riders on the equipment, trailer and/or pick-up.

Use speed and caution dictated by the terrain being traversed. Do not operate on any slope steep enough to cause tipping or loss of control.

Read and understand the operator's manual and require all other persons who will operate the equipment to do the same.

If operating on public roadways, where legal, be certain all lighting is operating properly and observe all traffic laws.

Beware of increased stopping distances and control effort when operating with implements attached.

Be familiar with all controls and be prepared to stop equipment quickly in an emergency.

Wear proper personal protective equipment when working on implement. Safety glasses, gloves, knee pads etc. are examples.

MAKE SURE TRACTOR IS IN PARK, PLANTER IS RAISED, & THE HYDRAULIC CYLINDER STOPS ON THE PLANTER ARE IN PLACE BEFORE BEGINNING TO INSTALL THIS PRODUCT.

FAILURE TO HEED MAY RESULT IN PERSONAL INJURY OR DEATH.

TABLE OF CONTENTS

FOREWORD/WARRANTY.....	2
SAFETY PRECAUTIONS.....	3
BOLT TORQUE.....	4
BILL OF MATERIALS.....	5
ASSEMBLY INSTRUCTIONS.....	5 – 7
OPERATION.....	8
PARTS IDENTIFICATION	
6200-005 & 6200-006 POLY TWISTER.....	9
6200-007 & 6200-008 SHORT POLY TWISTER.....	10
6200-009 CAST TWISTER 6200-030 CNH CONVERSION TWISTER	11
WHEEL ASSEMBLIES.....	12 – 13

BOLT TORQUE

Mounting bolts and hardware

All hardware is Grade 5 unless otherwise noted. Grade 5 cap screws are marked with 3 radial lines on the head. If hardware must be replaced, be sure to replace it with hardware of equal size, strength & thread type. Refer to the torque values chart when tightening hardware.

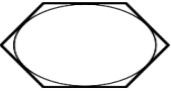


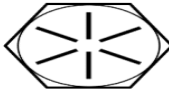


Important: Over-tightening hardware can cause just as much damage as under-tightening. Tightening hardware beyond the recommended range can reduce its shock load capacity.

The chart below is a guide for proper torque. Use it unless a specified torque is called out elsewhere in the manual. Torque is the force applied to the end of the handle or cheater bar, times the length of the handle or bar.

Use a torque wrench wherever possible.

The following table shows torque in ft.-lbs. for coarse thread hardware.

Bolt Diameter and Threads per Inch	 Grade 2	 Grade 5	 A-325	 Grade 8
1/4	6	10	14	14
5/16	12	20	30	30
3/8 – 16	25	35	50	50
7/16 – 14	35	55	80	80
1/2 – 13	55	85	125	125
9/16 – 12	75	125	175	175
5/8 – 11	105	170	235	235
3/4-10	185	305	425	425
7/8 – 9	170	445	690	690
1-8	260	670	1030	1030
1 1/8 – 7	365	900	1460	1460
1 1/4 - 7	515	1275	2060	2060
1 3/8 – 6	675	1675	2700	2700
1 1/2 - 6	900	2150	3500	3500
1 3/4 – 5	1410	3500	5600	5600

CHECK HARDWARE DAILY FOR DAMAGE, WEAR, & LOOSENESS. TIGHTEN AS NEEDED

BILL OF MATERIALS

6200-005 – TWISTER POLY SPIKE CLOSING WHEEL KIT

1 – 6200-169 RH Poly Wheel Assembly, 1 – 6200-171 LH Poly Wheel Assembly, 6 – 2526-453 5/8 SAE Flat Washer

6200-006 – TWISTER POLY SPIKE CLOSING WHEEL INSERT KIT

1 – 6200-454 RH Poly Spike Ring, 1 – 6200-458 LH Poly Spike Ring, 6 – 2526-453 5/8 SAE Flat Washer

6200-007 – SHORT TWISTER POLY SPIKE CLOSING WHEEL KIT

1 – 6200-176 RH Short Tooth Poly Twister Wheel Assembly, 1 – 6200-177 LH Short Tooth Poly Twister Wheel Assembly, 6 – 2526-453 5/8 SAE Flat Washer

6200-008 – SHORT TWISTER POLY SPIKE CLOSING WHEEL INSERT KIT

1 – 6200-475 RH Short Poly Spike Ring, 1 – 6200-478 LH Short Poly Spike Ring, 6 – 2526-453 5/8 SAE Flat Washer

6200-009 – CAST TWISTER SPIKE CLOSING WHEEL KIT

1 – 6200-178 RH Cast Twister Wheel Assembly, 1 – 6200-179 LH Cast Twister Wheel Assembly, 6 – 2526-453 5/8 SAE Flat Washer

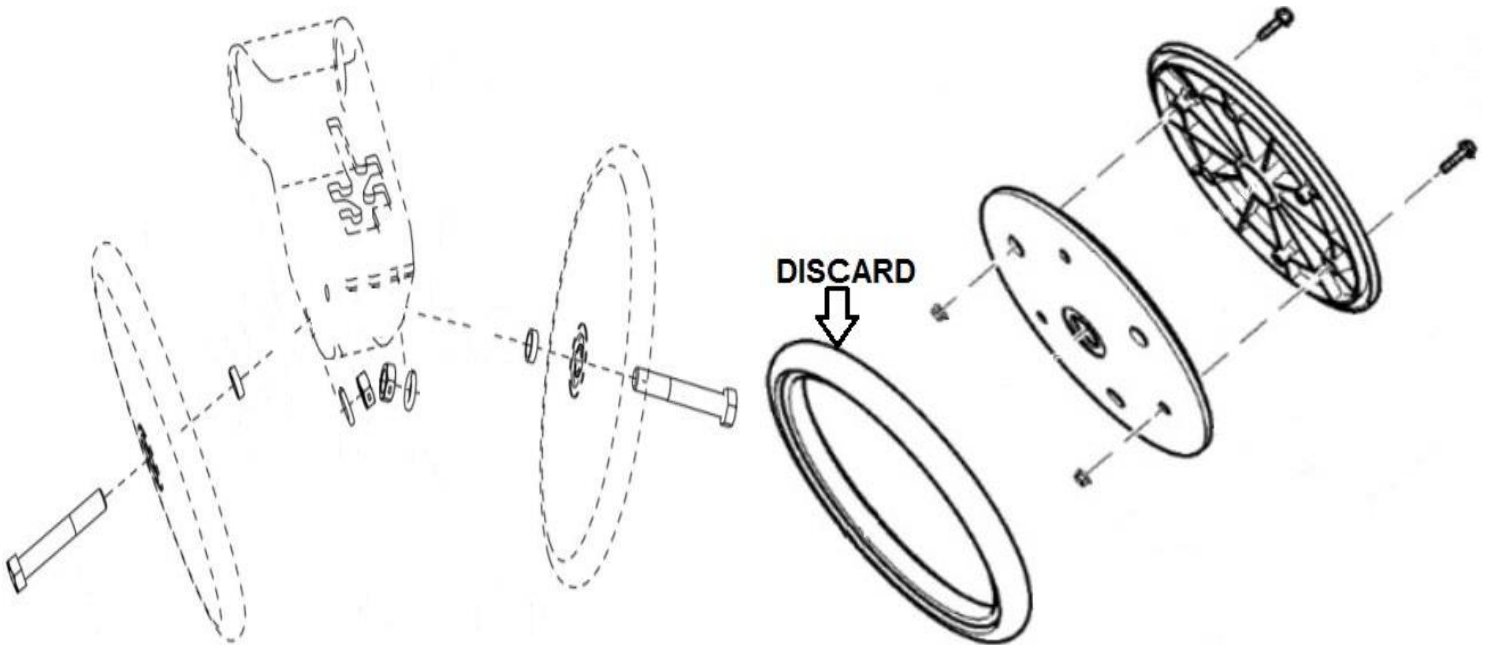
6200-030 – CNH 1200 SERIES TWISTER CONVERSION KIT WITH TWISTER POLY SPIKE WHEELS

1 – 6200-169 RH Poly Wheel Assembly, 1 – 6200-171 LH Poly Wheel Assembly, 1 – 6200-205 Twister Wheel Mount, 2 – 2502-242 3/8-16 X 2 ½ HHCS Gr 5 ZP, 2 – 2502-327 5/8-11 X 5 HHCS Gr 5 ZP, 2 – 2520-251 3/8-16 Hex nut Gr 2 ZP, 2 – 2520-452 5/8-11 Hex Nut Gr 8 ZP, 2 – 2525-251 3/8 Medium Lock Washer ZP, 2 – 2525-451 5/8 Medium Lock Washer ZP, 8 – 2526-453 5/8 SAE Flat Washer

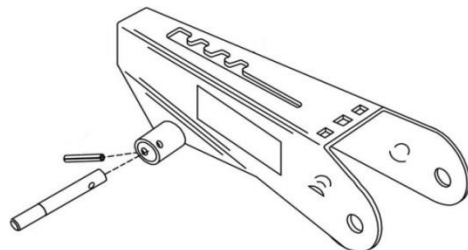
ASSEMBLY INSTRUCTION

STEP 1: Remove the existing closing wheels that are currently on all rows that will be equipped with the Twister closing wheel. Keep all existing hardware. If you are installing the Ring Insert option, remove the hardware from the side wheels & discard the rubber ring.

NOTE: DO NOT pry the side wheels apart as it may cause damage to the hub. A good method to use for separating the wheel assembly is to use a 5 gallon bucket, a deep well socket, and a hammer. Place the wheel assembly on the 5 gallon bucket so that just the rubber ring is on the bucket. Place the deep well socket on the bearing & hammer on the socket until the bottom shield & bearing falls into the bucket.

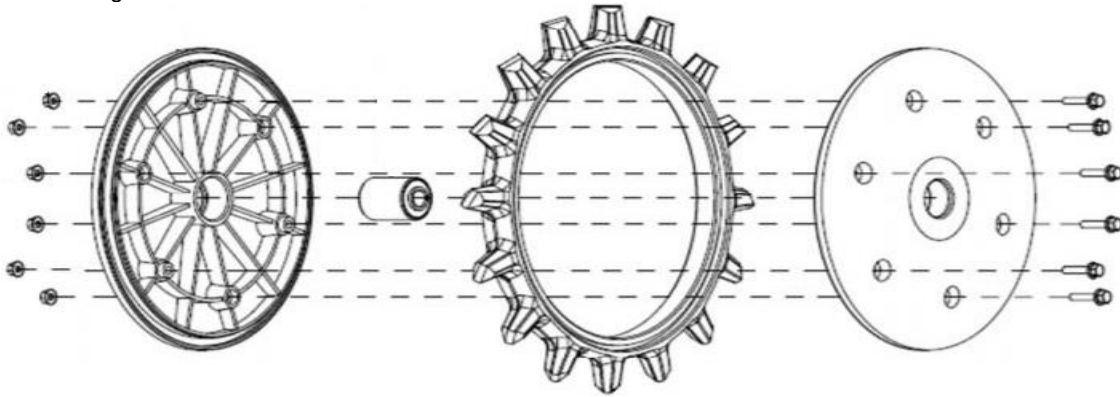


JOHN DEERE 7000/7100 AND KINZE (PRE-1993) WITH THE WATER PUMP STYLE BEARINGS WILL REQUIRE A STUD ADAPTER KIT, YETTER PART # 6200-143. THIS SET-UP WILL NOT BE ABLE TO ACHIEVE THE RECOMMENDED SPACING OF THE CLOSING WHEELS.



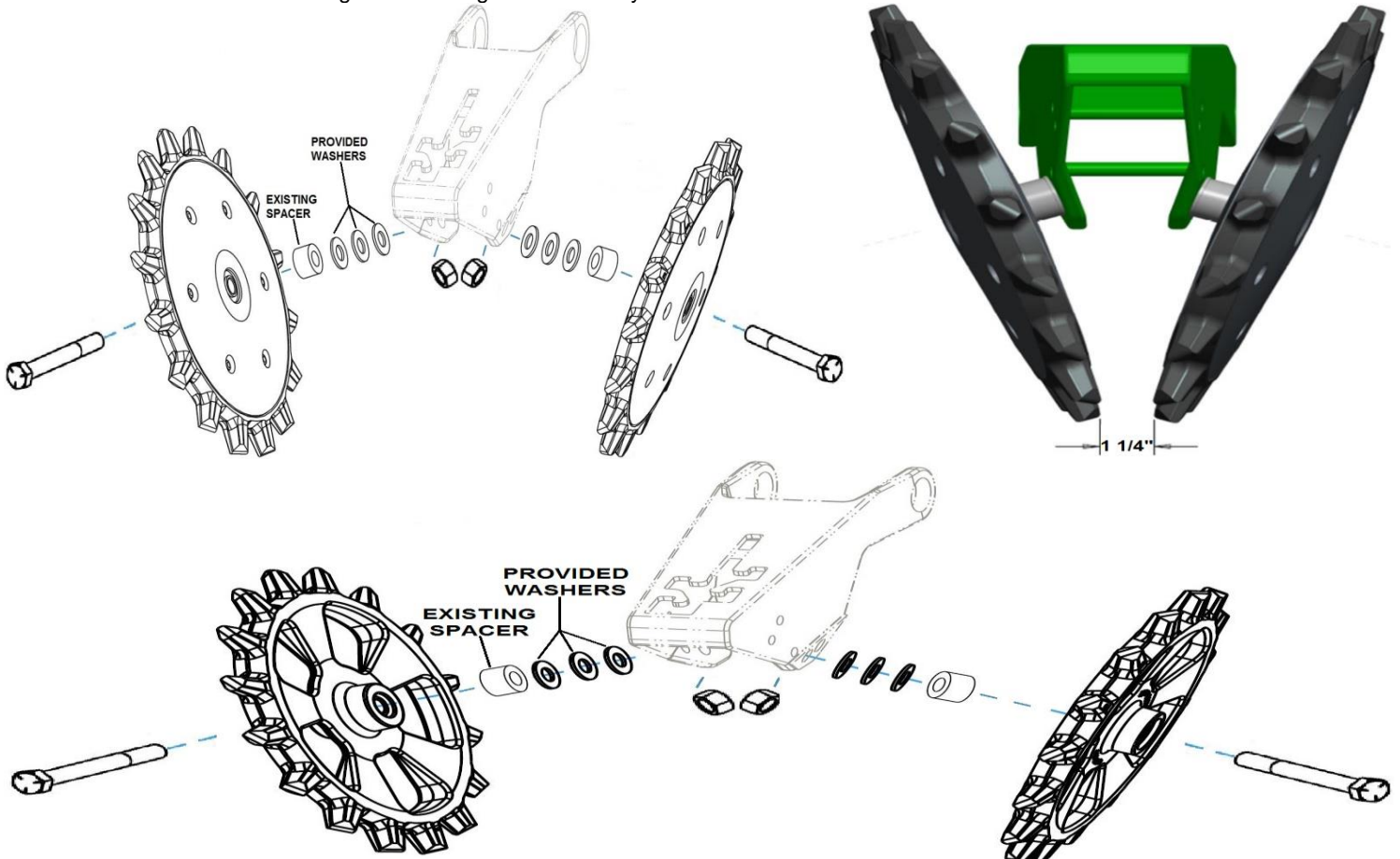
ASSEMBLY INSTRUCTIONS

STEP 2: (IF APPLICABLE) Install the 6200-006 Twister Poly Insert Kit or 6200-008 Short Twister Poly Insert Kit on the original side wheels. The orientation of the Poly Insert does not matter for this particular assembly process. Place the Poly Ring on the side wheel with bearing, place the other side wheel on the other side of the ring (make sure each groove on the Poly Insert aligns with the lip on each side wheel), & use a vice/press to pop the side wheel back on the bearing. Verify the outer lip on each side wheel is fully seated & tight in the groove on the Poly Ring & then install the existing hardware on the side wheels.



STEP 3: Install the LH Twister wheel assembly (stamped with an L) to the left side of the closing wheel tail piece & install the RH Twister wheel assembly (stamped with an R) to the right side of the closing wheel tail piece. Left/right is determined by standing behind the planter facing direction of travel. The L & R should be on the outside or away from the row. Slide the existing bolt through the wheel, put the existing spacer over the bolt, slide bolt into the back hole, & fasten with existing nut. Install both wheels & then measure the closest contact point at the bottom of the wheel assemblies. The measurement needs to be as close to 1 1/4" as possible. The amount of spacers used will vary depending on the OEM of the row unit. In some situations, additional spacers may need purchased OR not all provided washers need used.

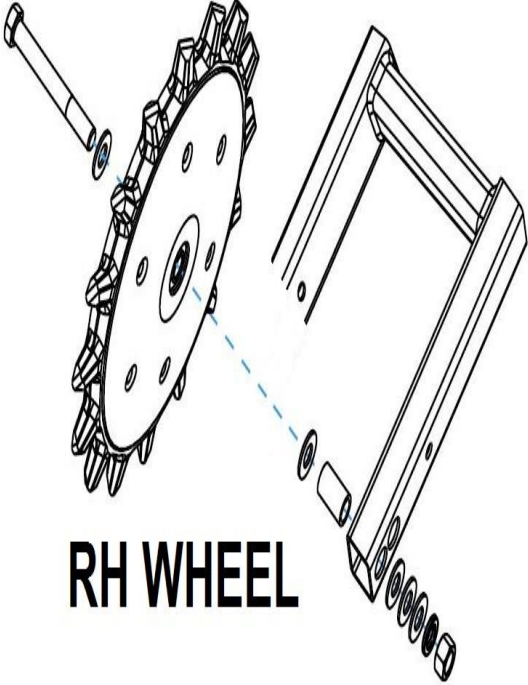
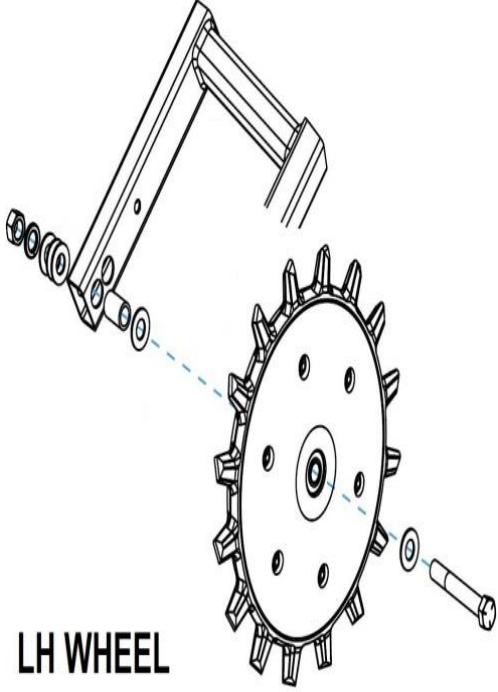
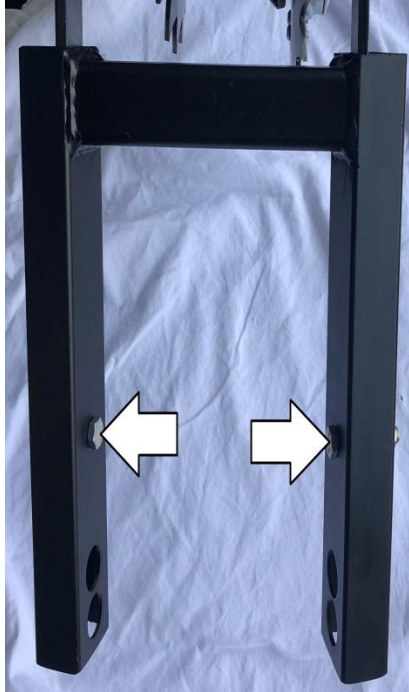
NOTE: Yetter recommends installing these closing wheels side by side in the back hole.



NOTE: It is recommended to have 2 twister wheels per row with the closest contact point being 1 1/4". Some OEM planter row units will not allow you to achieve exactly 1 1/4". In these situations, use the same amount of spacers on each wheel & assemble the wheels as close to 1 1/4" as possible. If setting row units to have 1 twister wheel & 1 rubber wheel, assemble the first row using 2 twister wheels & spacers to get as close to 1 1/4" as possible. Remove 1 twister wheel & replace with the rubber wheel using the original rubber wheel spacer(s). If you prefer to offset the rubber closing wheel from the twister wheel, run the twister wheel in the front hole & the rubber wheel in the back.

6200-030 CNH 1200 CONVERSION ASSEMBLY INSTRUCTIONS

- STEP 1:** Remove the CNH Packer Wheel by removing the axle bolt, nut, & spacers.
- STEP 2:** Install the 6200-205 Twister Wheel Mount using 2) 3/8-16 X 2 1/2 HHCS GR 5 ZP bolts, 2) 2525-251 3/8 Lock Washers, & 2) 2520-251 3/8 Hex Nuts. These 3/8 bolts will pass through the same hole on the CNH unit that the packer wheel axle bolt went through.
- STEP 3:** Attach the LH Wheel (stamped with an L & an arrow) to the inside of the LH side of the Twister Wheel Mount. Place 1) 2526-453 5/8 Flat Washer on 1) 2502-327 5/8-11 X 5 HHCS GR 5 ZP, insert the bolt through the LH wheel assembly, place another 5/8 Flat Washer over the bolt, place 1) 6200-331 wheel bushing over the bolt, insert the bolt/wheel bushing through the back hole on the LH side of the Twister Wheel Mount (make sure each side of the wheel bushing is flush with the tube), place 3) 5/8 Flat Washers over the bolt, place 1) 2525-451 5/8 Lock Washer over the bolt, & install 1) 2520-452 5/8 Hex Nut.
- STEP 4:** Attach the RH Wheel (stamped with an R & an arrow) to the inside of the RH side of the Twister Wheel Mount. Place 1) 2526-453 5/8 Flat Washer on 1) 2502-327 5/8-11 X 5 HHCS GR 5 ZP, insert the bolt through the RH wheel assembly, place another 5/8 Flat Washer over the bolt, place 1) 6200-331 wheel bushing over the bolt, insert the bolt/wheel bushing through the back hole on the LH side of the Twister Wheel Mount (make sure each side of the wheel bushing is flush with the tube), place 3) 5/8 Flat Washers over the bolt, place 1) 2525-451 5/8 Lock Washer over the bolt, & install 1) 2520-452 5/8 Hex Nut.



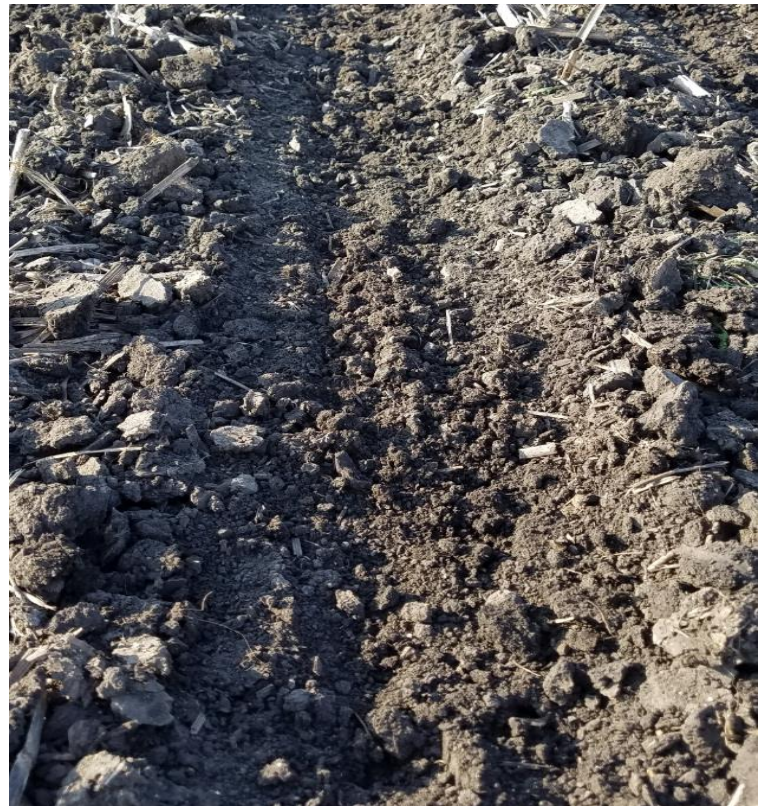
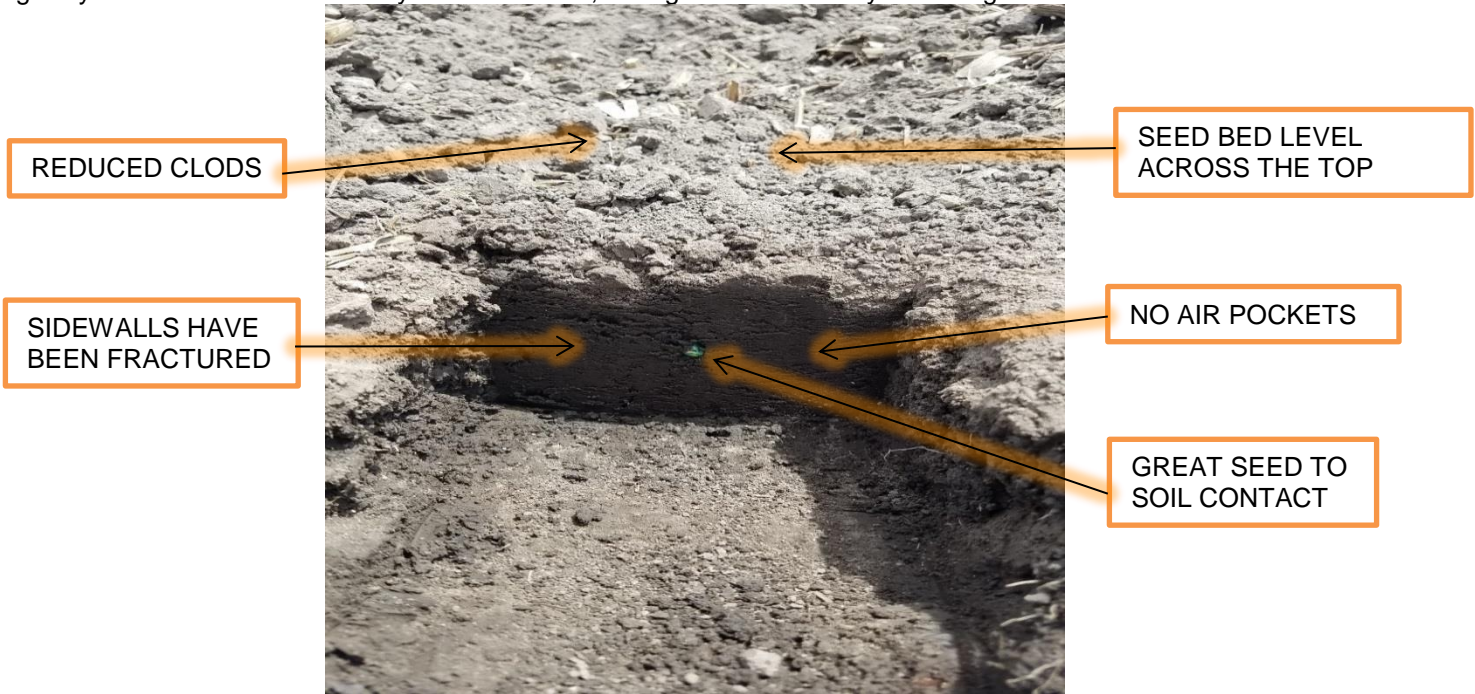
OPERATION

The distance between wheels may need to be adjusted according to the soil conditions, planting depths, etc. Planting conditions vary so it will be necessary to check for seed to soil contact & condition of the seed furrow as conditions change.

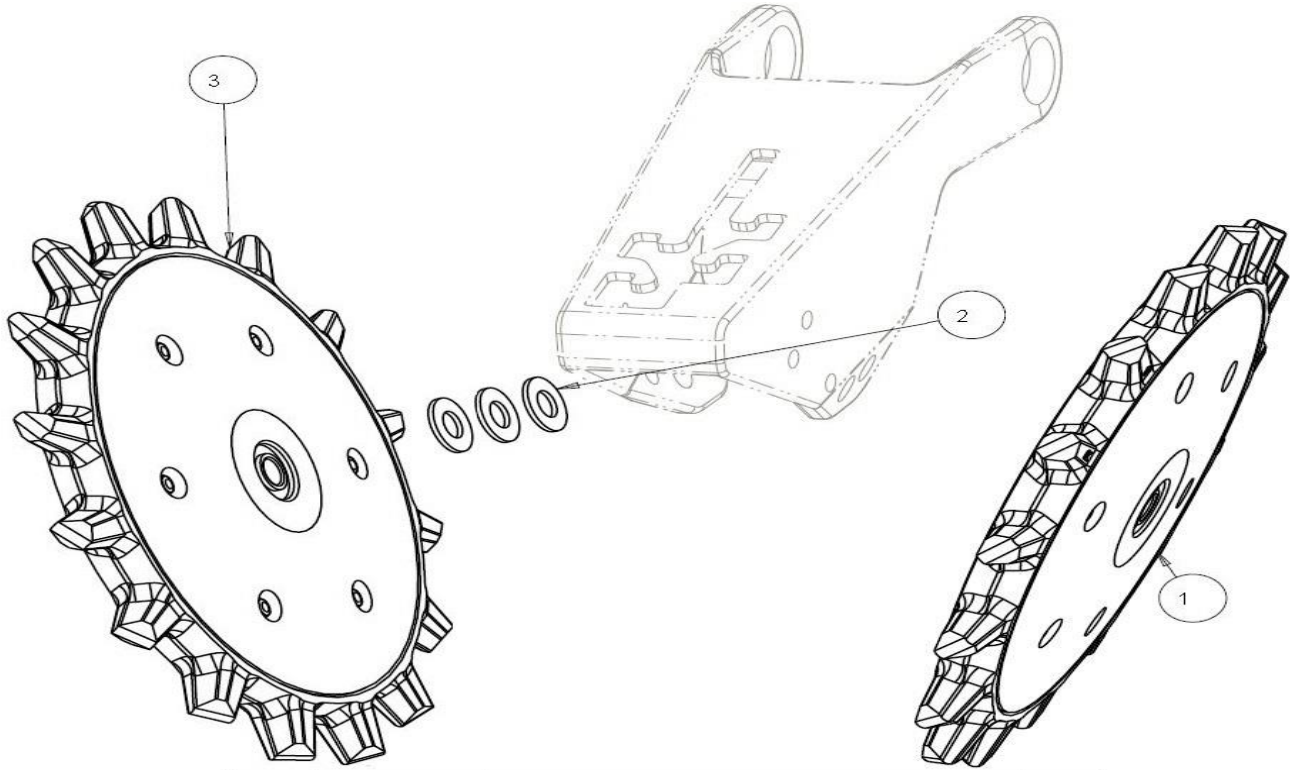
Change the down pressure on the closing wheel tail piece as necessary. Check the condition of the seedbed by digging around the seed to make sure the sidewall is fractured & no "V" from the disc openers remain. Adjust the down pressure as needed.

Drag Chains (6200-108, 1 per row) may be added to help level off the planted strip.

If the leading edge of the Twister wheel becomes worn, flip the wheel around & install on the same side of the tail piece the wheel was originally on. The left wheel will stay on the left side, the right wheel will stay on the right side.

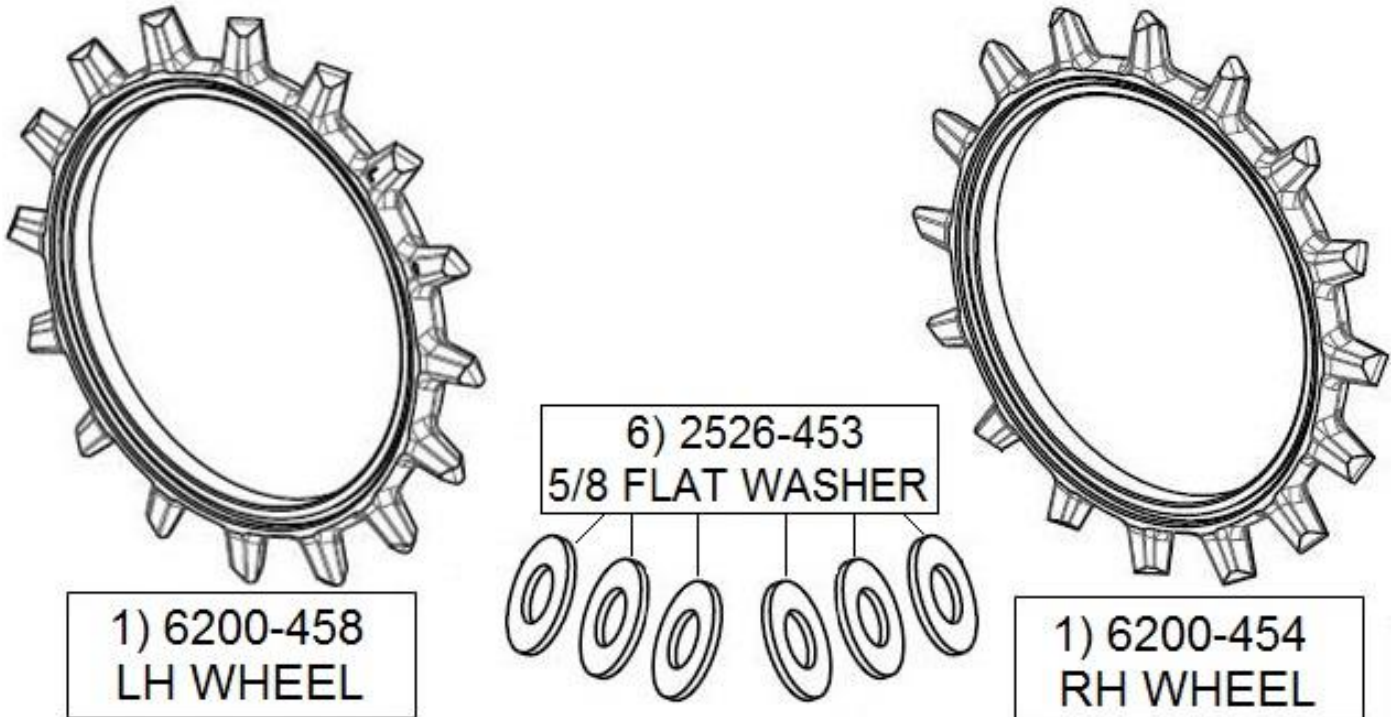


6200-005 TWISTER POLY WHEEL KIT PART ID

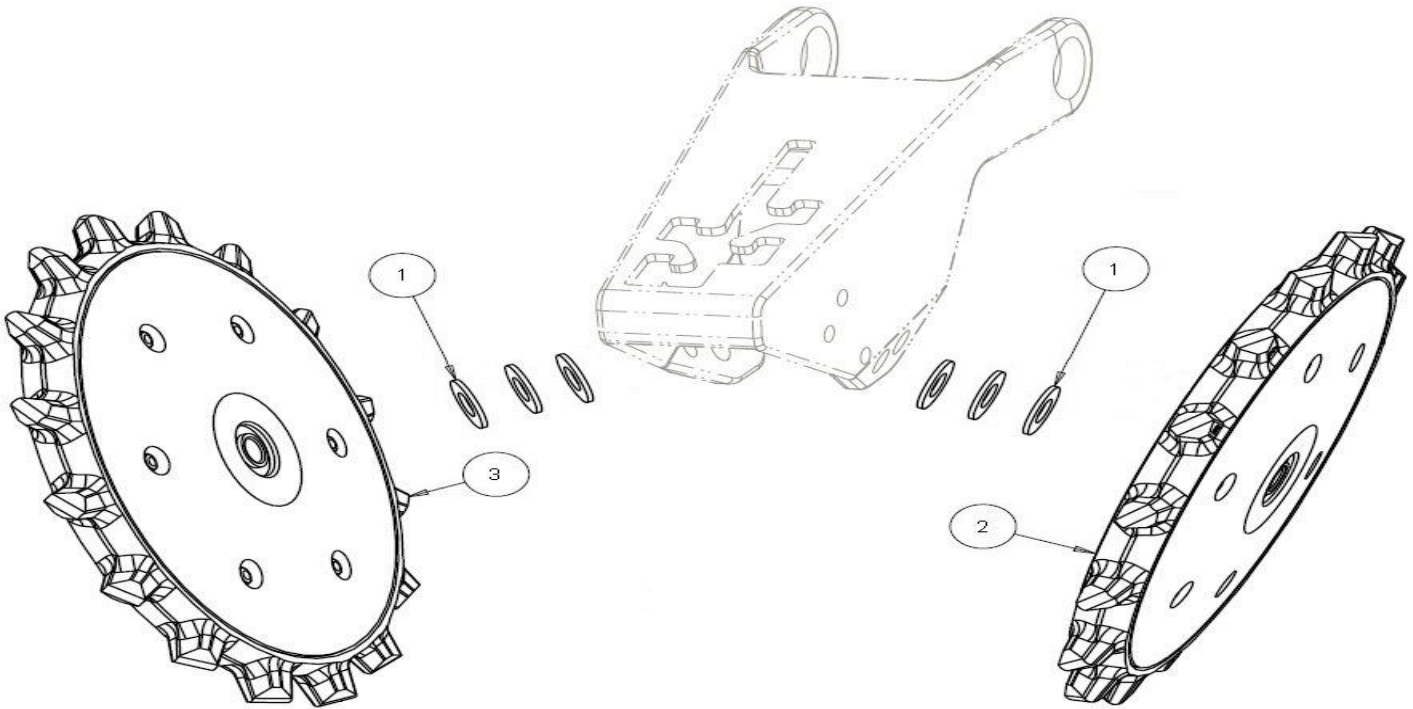


ITEM	PART NO.	DESCRIPTION	QTY
1	6200-169	SPIKE CLOSING WHEEL ASSEMBLY - RH	1
2	2526-453	5/8 SAE FLAT WASHER 2P	6
3	6200-171	SPIKE CLOSING WHEEL ASSEMBLY - LH	1

6200-006 TWISTER POLY WHEEL INSERT KIT PART ID

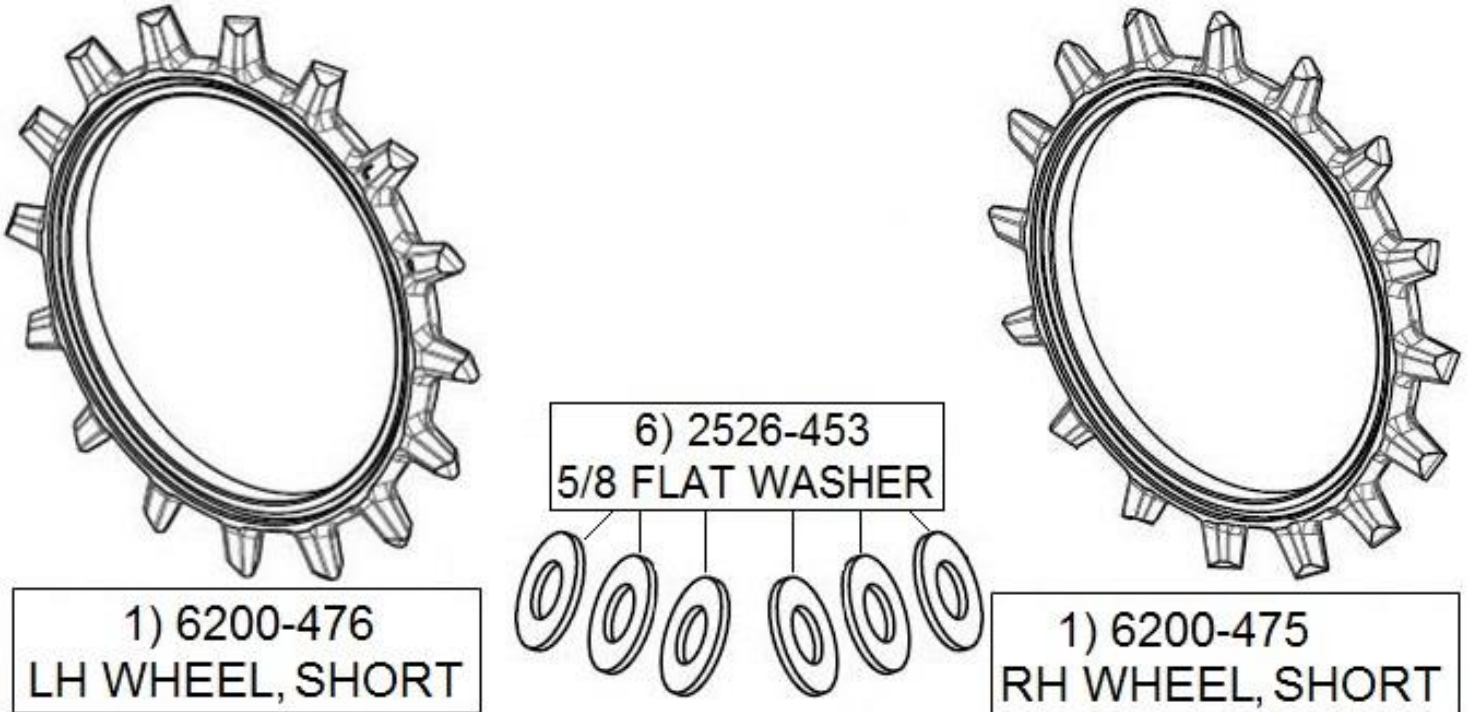


6200-007 SHORT TWISTER POLY WHEEL KIT PART ID

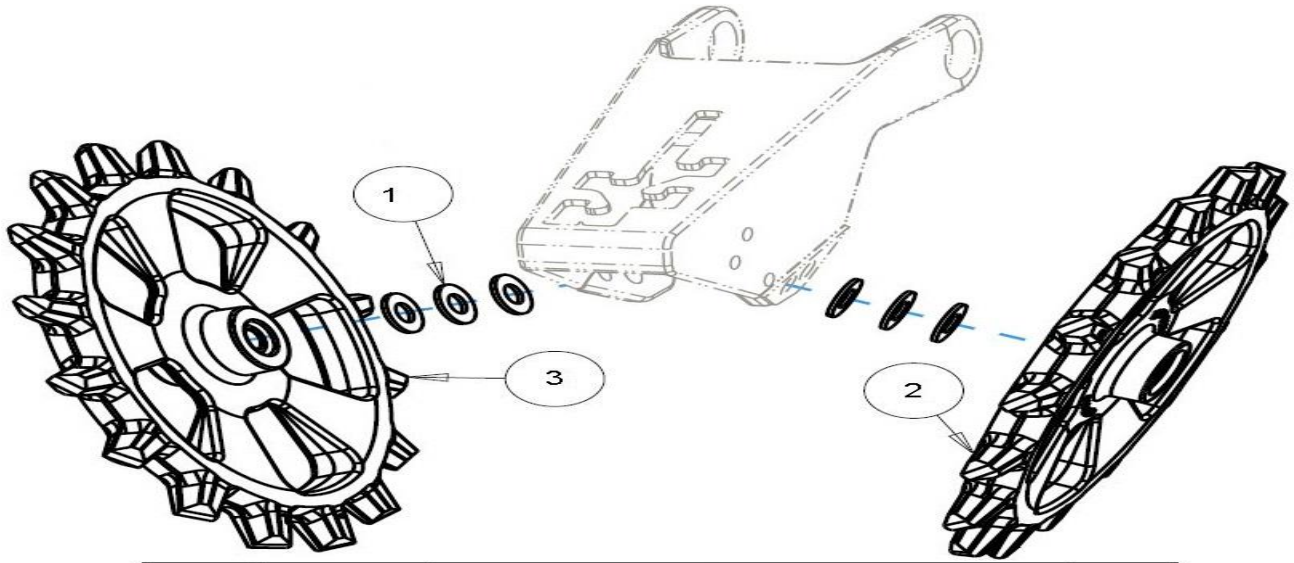


ITEM	PART NO.	DESCRIPTION	QTY
1	2526-453	5/8 SAE FLAT WASHER ZP	6
2	6200-176	TWISTER WHEEL ASSEMBLY - RH, SHORT TOOTH	1
3	6200-177	TWISTER WHEEL ASSEMBLY- LH, SHORT TOOTH	1

6200-008 SHORT TWISTER POLY WHEEL INSERT KIT PART ID

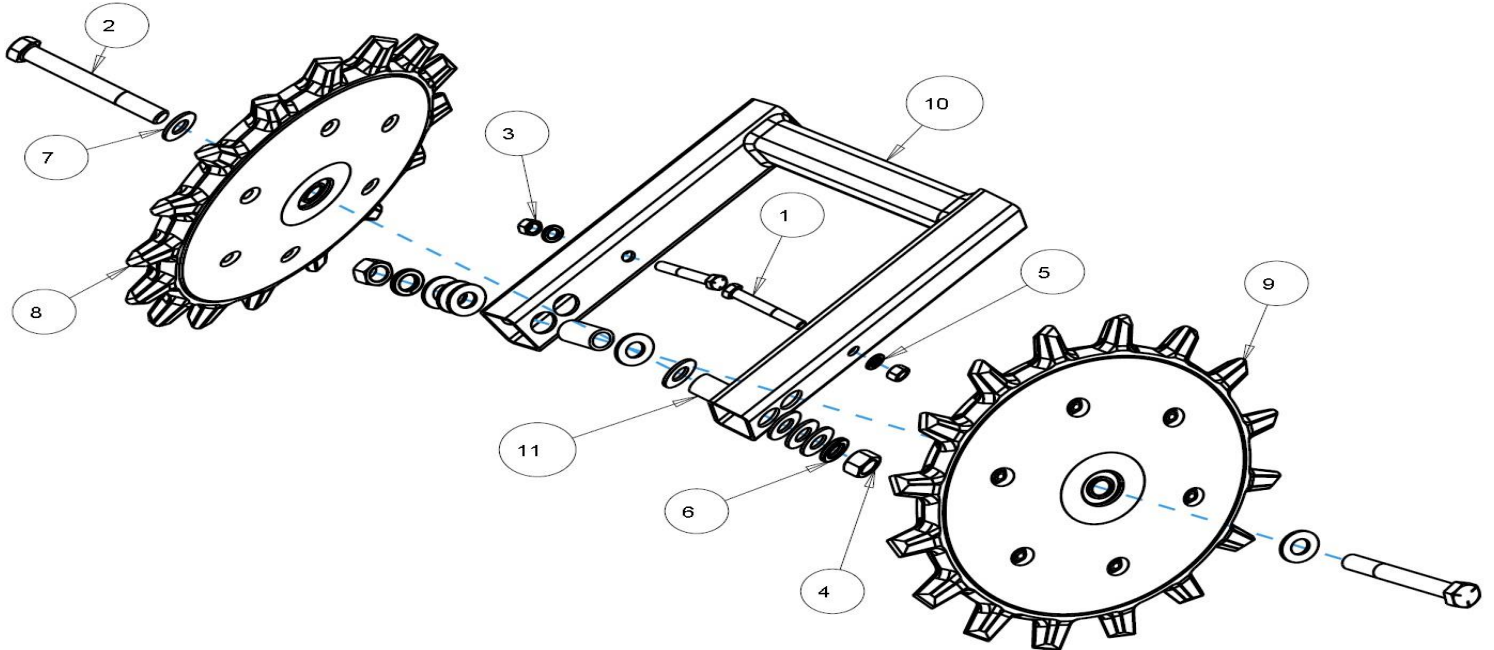


6200-009 CAST TWISTER WHEEL KIT PART ID



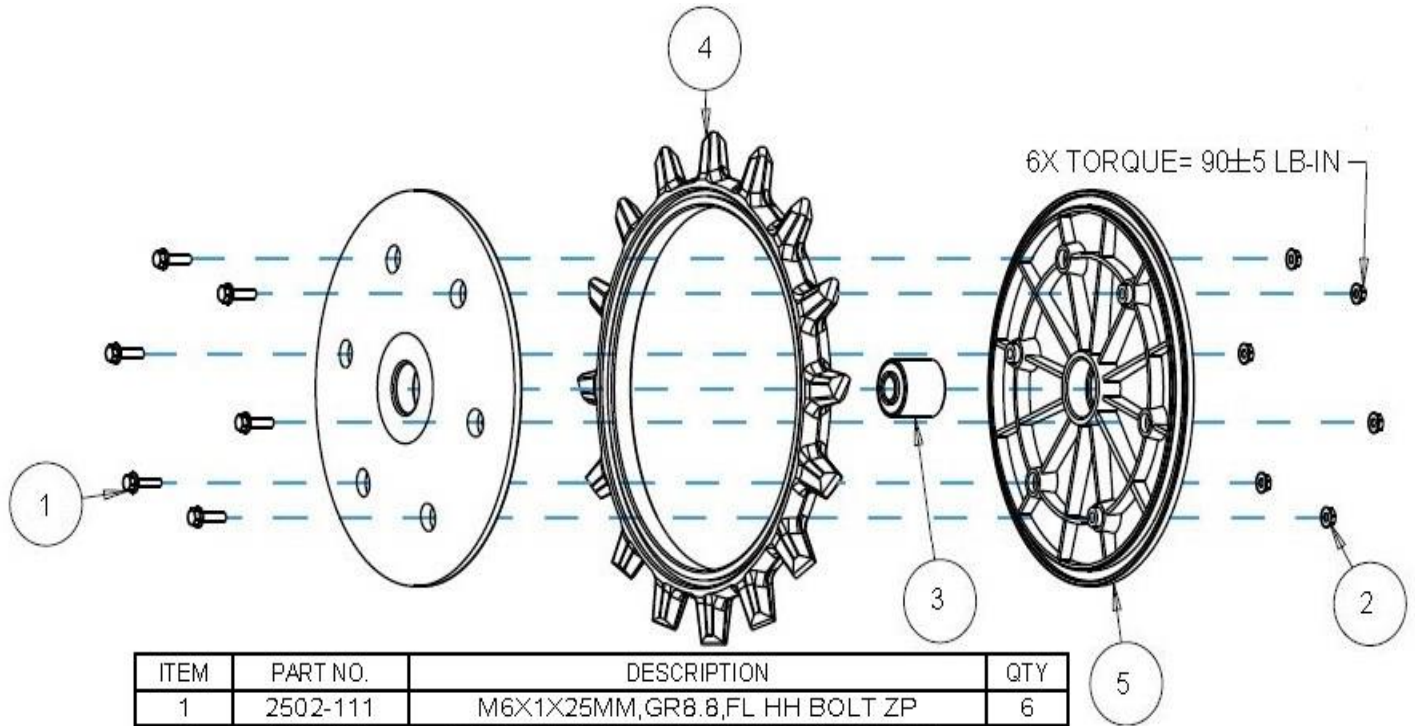
ITEM	PART NO.	DESCRIPTION	QTY
1	2526-453	5/8 SAE FLAT WASHER ZP	6
2	6200-178	TWISTER WHEEL ASSEMBLY, RH, CAST	1
3	6200-179	TWISTER WHEEL ASSEMBLY, LH, CAST	1

6200-030 CNH 1200 CONVERSION TWISTER WHEEL PART ID



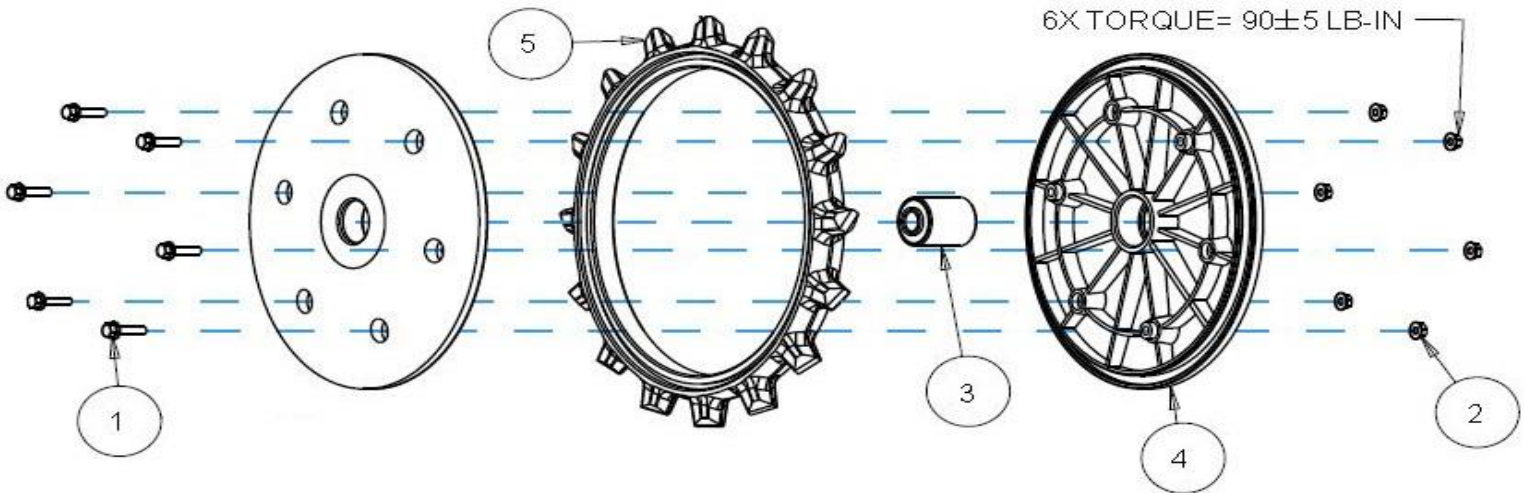
ITEM	PART NO.	DESCRIPTION	QTY
1	2502-242	3/8-16 X 2 1/2 HHCS GR5 ZP	2
2	2502-327	5/8-11 X 5 HHCS GR.5 ZP	2
3	2520-251	3/8-16 HEX NUT ZP	2
4	2520-452	5/8-11 HEXNUT ZP	2
5	2525-251	3/8 MED. LOCKWASHER ZP.	2
6	2525-451	5/8 MED. LOCKWASHER ZP.	2
7	2526-453	5/8 SAE FLATWASHER ZP	10
8	6200-169	SPIKE CLOSING WHEEL ASSEMBLY - RH	1
9	6200-171	SPIKE CLOSING WHEEL ASSEMBLY - LH	1
10	6200-205	TWISTER WHEEL MOUNT W.A.	1
11	6200-331	WHEEL BUSHING	2

6200-169 / 6200-171 TWISTER POLY WHEEL PART ID



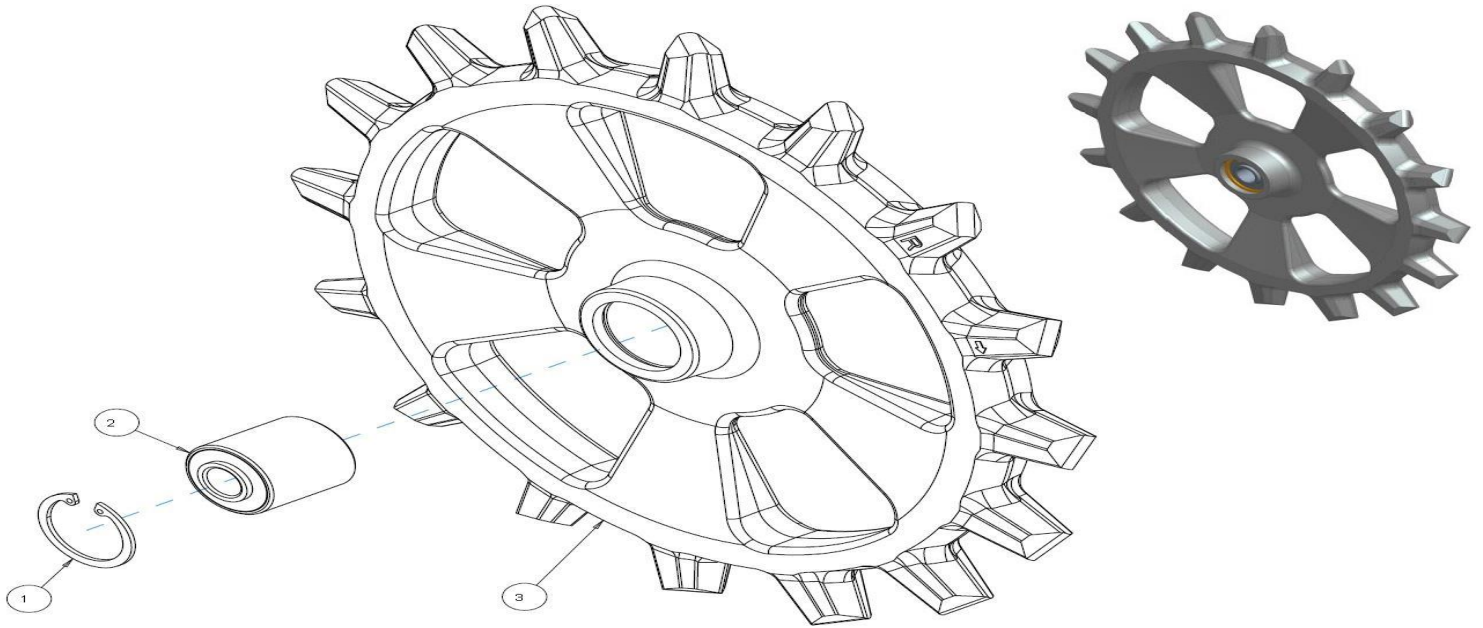
ITEM	PART NO.	DESCRIPTION	QTY
1	2502-111	M6X1X25MM,GR8.8,FL HH BOLT ZP	6
2	2520-160	M6x1.0,CRIMP LOCK FL NUT ZP WAXED	6
3	2570-069	40MM BEARING - AN212132 (5203KYY2)	1
4	6200-454	POLY SPIKE WHEEL RH, 16 TOOTH	1
	6200-458	POLY SPIKE WHEEL LH, 16 TOOTH	1
5	6200-455	WHEEL HALF, NYLON	2

6200-176 / 6200-177 SHORT TWISTER POLY WHEEL PART ID



ITEM	PART NO.	DESCRIPTION	QTY
1	2502-111	M6X1X25MM,GR8.8,FL HH BOLT ZP	6
2	2520-160	M6x1.0,CRIMP LOCK FL NUT ZP WAXED	6
3	2570-069	40MM BEARING - AN212132 (5203KYY2)	1
4	6200-455	WHEEL HALF, NYLON	2
5	6200-475	TWISTER WHEEL RH, 16/SHORT TOOTH	1
	6200-476	TWISTER WHEEL LH, 16/SHORT TOOTH	1

6200-178 / 6200-179 CAST TWISTER WHEEL PART ID



ITEM	PART NO.	DESCRIPTION	QTY
1	2550-526	SNAP RING, 40MM BORE	1
2	2570-069	40MM BEARING - AN212132 (5203KYY2)	1
3	6200-479	TWISTER WHEEL, RH, MACHINED	1
	6200-480	TWISTER WHEEL, LH, MACHINED	1

NOTES





A Tradition of Solutions since 1930

Yetter Farm Equipment Co

PO BOX 358 109 S. McDonough

Colchester, IL 62326-0358

Phone: 309-776-4111

Toll Free: 800-447-5777

Email: info@yetterco.com

For updated models and manuals visit the Yetter website:

www.yetterco.com

© Yetter Farm Equipment Co. All Rights Reserved

2565-797_REV_C • 11/2019