

ULTIMATE DOUBLE HUNG AND SINGLE HUNG G2 ULTIMATE DOUBLE HUNG AND SINGLE HUNG G1 DISC LA PRE 4/24/17

Table of Contents

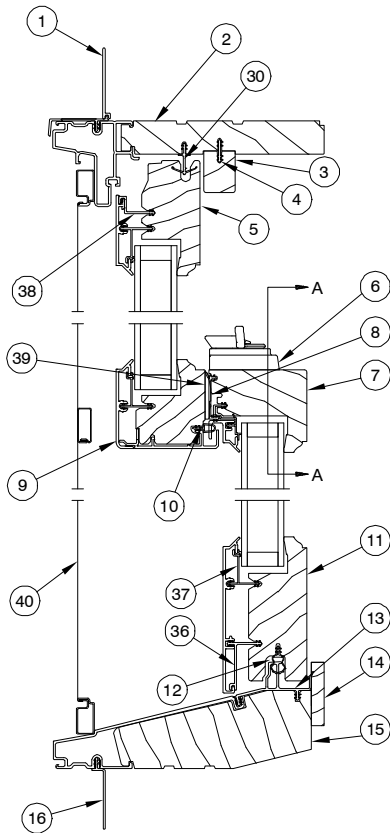
	PAGE
History – Ultimate Double Hung G2 and Ultimate Single Hung G2	2
Part Identification – Ultimate Double Hung G2	3
Part Identification – Ultimate Double Hung G2 with Lock Status Sensor	4
Part Identification – Ultimate Double Hung G2 IZ3	5
Part Identification – Ultimate Double Hung Picture G2	6
Part Identification – Ultimate Double Hung Transom G2	7
Part Identification – Ultimate Single Hung G2 and IZ3	8
Part Identification – Ultimate Single Hung G2 with Lock Status Sensor	9
Part Identification – Ultimate Single Hung G2 with Lift Lock Option	10
Part Identification – Ultimate Double Hung Round Top G2	11
Part Identification – Ultimate Double Hung Picture Round Top G2	12
Part Identification – Ultimate Double Hung Transom Round Top G2	13
Part Identification – Ultimate Single Hung Round Top G2	14
Part Identification – Ultimate Single Hung Round Top G2 with Lift Lock Option	15
Parts	16
Parts – Round Top	24
Lock Status Sensor Option	25
WOCD Field Applied and Replacement Kits	26
Weather Strip	27
Vinyl Jamb Liner	29
Balances – Block and Tackle	30
Balances – Spiral	32
Wood Parts	40
Vinyl Parts	41
Aluminum Parts	42
Screens, Full and Half	43
Screens, Optional Magnum	45
Screen Parts	46
Combination Units and Parts	47
Retractable Screen	49
Retractable Screen Cartridge	51
Discontinued Parts	
Discontinued Parts – Limited Availability (LA)	52
Discontinued Parts – Limited Availability (NA)	54
Discontinued Balance Tubes– Block and Tackle (Pre 01/26/2015) – Limited Availability (LA)	55
Discontinued Vinyl Parts (Pre 09/29/2014) – Limited Availability (LA)	56
Discontinued Vinyl Parts (Pre 09/29/2014) – No Availability (NA)	57

ATTENTION:

- Specification and technical data are subject to change without notice.
- Numbers listed in parentheses () are metric equivalents in millimeters rounded to the nearest whole number.

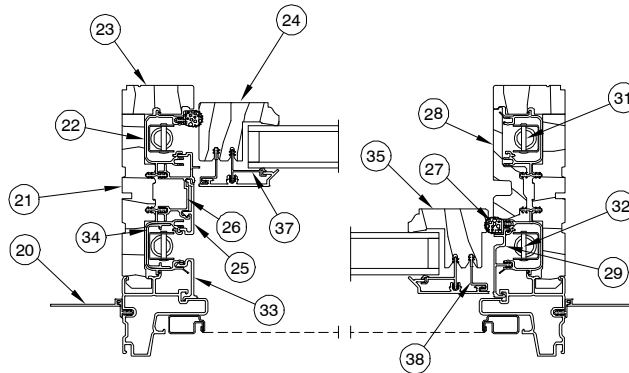
PRODUCED	UNIT TYPE	FEATURES OR CHANGES	STATUS
April 2014	Ultimate Double Hung G1 Disc LA Pre 4/24/17	4/28/14 Introduced the Ultimate Double Hung G1 – product family. It's a vertical sliding hung window platform that has an overall jamb depth of 4 9/16". Available in a variety of sizes and products including: Double Hung, Picture, Transom and Single Hung. Operators include a multi–point locking hardware system that locks into the jambs with a tilt–mode feature. 4/28/14 Introduced Retractable Screens The screen deploys from the top in a pull down operation. It may be used separately or in conjunction with an interior shade system.	Present w/exception of multi–point locking hardware system Discontinued See April 2017 entry
October 2014	Ultimate Double Hung G1 Disc LA Pre 4/24/17	10/27/14 Redesigned balances for even better operating performance. Also introduced Certified mulls. Implemented the new performance brackets. Also there was 0.121" added to the checkrail interlock.	Present
February 2015	Ultimate Double Hung G1 Disc LA Pre 4/24/17 Ultimate Double Hung Round Top G1 Disc LA Pre 4/24/17	02/23/2015 Introduce factory installed Window Opening Control Device (WOCD) Field Service Only. Available in all 9 hardware colors. IZ3 introduced. Introduced the Ultimate Double Hung Round Top G1, Including Picture and Transom.	Present
August 2015	Ultimate Double Hung G1 Disc LA Pre 4/24/17 Ultimate Double Hung Round Top G1 Disc LA Pre 4/24/17	08/31/2015 Introduced Sash Limiters and exterior sash lug, ogee profile.	Present
December 2015	Ultimate Double Hung G1 Disc LA Pre 4/24/17 Ultimate Double Hung Round Top G1 Disc LA Pre 4/24/17	12/21/2015 Introduced new colors to our standard color palette; Clay (CL), Gunmetal (GM), Liberty Bronze (MLB), and Suede (SE). Discontinued Arctic White, Cumulus Gray, Desert Beige, and French Vanilla from the color palette.	Present
April 2016	Ultimate Double Hung G1 Disc LA Pre 4/24/17 Ultimate Double Hung Round Top G1 Disc LA Pre 4/24/17	04/25/2016 Redesigned jamb weather strip and vinyl jamb liners for improved performance. Discontinued use of EZE balances tube. Replaced with Block and Tackle or UL Hybrid Spiral balance tube, based upon sash weight.	Present
June 2016	All	06/27/2016 Added Matte Black as a standard hardware color.	Present
April 2017	Ultimate Double Hung G1 Disc LA Pre 4/24/17	4/24/2017 Discontinued multi–point locking hardware system that locks into the jambs.	Discontinued
April 2017	Ultimate Double Hung G2	4/24/2017 Introduction of the Ultimate Double Hung G2. enhanced locking system. Features include a centralized locking point at the check rail, a complete metal drive locking system and an updated jamb receiver assembly to assist with installation.	Present
December 2017	Ultimate Double Hung G2	12/18/2017 Added availability of Lock Status Sensor.	Present
February 2018	Ultimate Double Hung G2 Ultimate Single Hung G2 Ultimate Single Hung Round Top G2	2/26/2018: Introduced Commercial Window option (replaces Ultimate Double Hung Magnum Disc LA Pre 6/25/2018). 2/26/2018: Introduced Both Sash Stationary Option	Present
April 2018	Ultimate Double Hung Round Top G2	4/30/2018: Added Commercial Window option (replaces Ultimate Double Hung Magnum Disc LA Pre 6/25/2018).	Present
June 2018	Ultimate Single Hung G2 Ultimate Single Hung Round Top G2	6/25/2018: Added Lift Lock option.	Present
August 2018	Ultimate Double Hung G2	8/27/2018: WOCD components removed for compliance with I–codes ASTM E2090.	Present
February 2019	Ultimate Double Hung G2 Ultimate Single Hung G2	2/25/2019: Maximum size expanded from CN5456 to CN6060.	Present
August 2019	Ultimate Double Hung G2 Ultimate Single Hung G2	8/26/2019: Added a Round Top Variation 6 rectangular sash option.	Present
April 2020	Ultimate Double Hung G2	4/27/2020: Added WOCD field applied and replacement kits.	Present
February 2021	Ultimate Double Hung G1 Disc LA Pre 4/24/17	2/22/2021: Marvin will no longer accept orders for the Ultimate Double Hung G1 replacement frames or complete windows. See Product Bulletin 769 for more details.	Present

**Ultimate Double Hung G2
Operator**

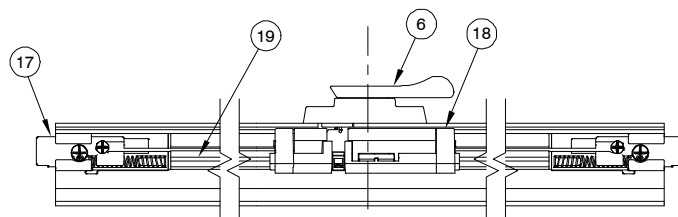


**Head Jamb and Sill
Vertical Detail**

1. Head Jamb Nailing Fin/Drip Cap, V119
2. Head Jamb
3. Parting Stop, W11578
4. Connecting Barb, V803
5. Top Rail
6. Sash Lock
7. Bottom Check Rail
8. Bottom Check Rail Hardware Cover, V2478
9. Top Check Rail
10. Top Check Rail Weather Strip, V2803
11. Bottom Rail
12. Weather Strip, V2779
13. Sill Thermal Break, V2191
14. Sill Liner, W11576
15. Sill
16. Sill Nailing Fin, V084
17. Bottom Sash Latch Assembly
18. Cord Guide Assembly
19. Operation Cord
20. Jamb Nailing Fin, V104
21. Jamb
22. Vinyl Jamb Liner, V2655
23. Jamb Liner, W12679
24. Stile Bottom Sash
25. Clad Mid Exterior Cover, A2460
26. Mid Cover Base, V2432
27. Frame Weather Strip, V2682
28. Interior Jamb Cover, W11581
29. Exterior Hardware Cover, V2338
30. Head Jamb Weather Strip, V2783
31. Bottom Sash Balance Tube
32. Top Sash Balance Tube
33. Exterior Clad Cover, A2615
34. Exterior Sash Stop, V2257
35. Stile Top Sash
36. Bottom Rail Filler V2301
37. Glazing Bead V2300
38. Sash Filler V2430
39. Strike assembly
40. Full Screen Assembly

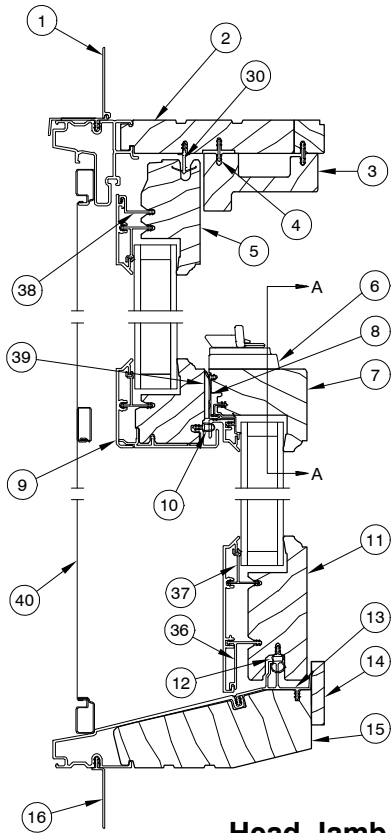


**Jamb
Horizontal Detail**



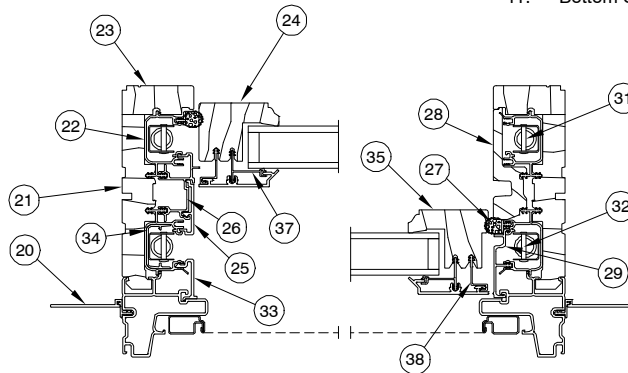
Check Rail

**Ultimate Double Hung G2
Operator with
Lock Status Sensor**

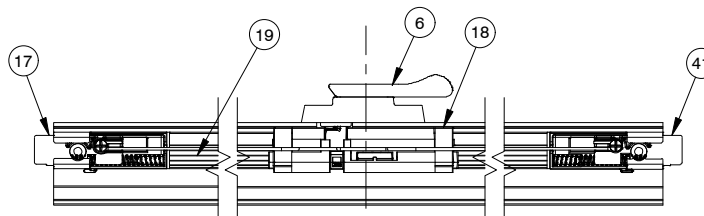


**Head Jamb and Sill
Vertical Detail**

1. Head Jamb Nailing Fin/Drip Cap, V119
2. Head Jamb
3. Transmitter Cover, W12982
4. Connecting Barb, V803
5. Top Rail
6. Sash Lock
7. Bottom Check Rail
8. Bottom Check Rail Hardware Cover, V2478
9. Top Check Rail
10. Top Check Rail Weather Strip, V2803
11. Bottom Rail
12. Weather Strip, V2779
13. Sill Thermal Break, V2191
14. Sill Liner, W11576
15. Sill
16. Sill Nailing Fin, V084
17. Bottom Sash Latch Assembly
18. Cord Guide Assembly
19. Operation Cord
20. Jamb Nailing Fin, V104
21. Jamb
22. Vinyl Jamb Liner, V2655
23. Jamb Liner, W12679
24. Stile Bottom Sash
25. Clad Mid Exterior Cover, A2460
26. Mid Cover Base, V2432
27. Frame Weather Strip, V2682
28. Interior Jamb Cover, W11581
29. Exterior Hardware Cover, V2338
30. Head Jamb Weather Strip, V2783
31. Bottom Sash Balance Tube
32. Top Sash Balance Tube
33. Exterior Clad Cover, A2615
34. Exterior Sash Stop, V2257
35. Stile Top Sash
36. Bottom Rail Filler V2301
37. Glazing Bead V2300
38. Sash Filler V2430
39. Strike assembly
40. Full Screen Assembly
41. Bottom Sash Latch Assembly, LSS

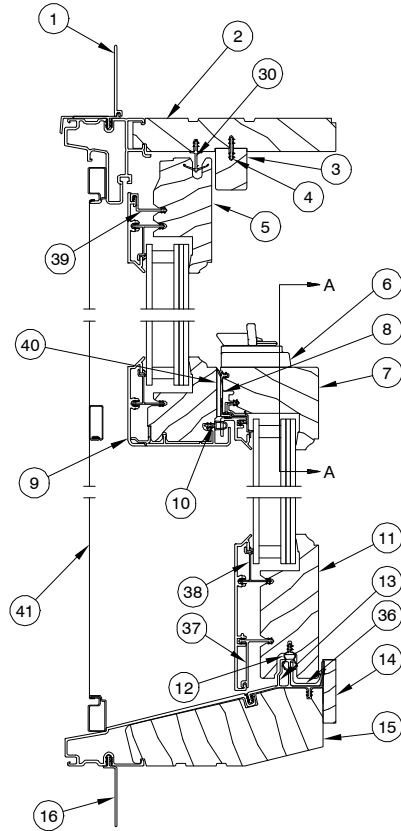


**Jamb
Horizontal Detail**



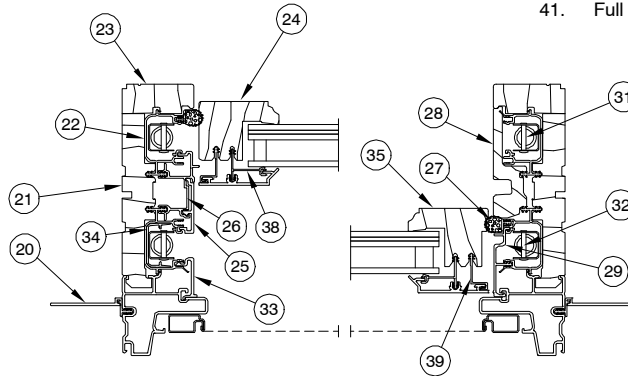
Check Rail

**Ultimate Double Hung G2 IZ3
Operator**

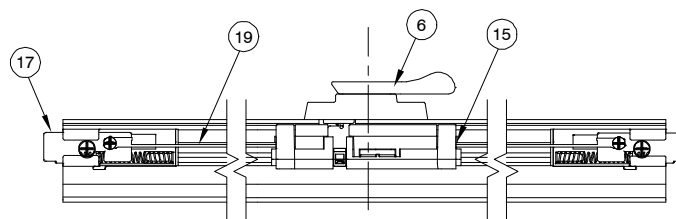


**Head Jamb and Sill
Vertical Detail**

1. Head Jamb Nailing Fin/Drip Cap, V119
2. Head Jamb
3. Parting Stop, W11578
4. Connecting Barb, V803
5. Top Rail
6. Sash Lock
7. Bottom Check Rail
8. Bottom Check Rail Hardware Cover, V2478
9. Top Check Rail
10. Top Check Rail Weather Strip, V2803
11. Bottom Rail
12. Weather Strip, V2779
13. Sill Thermal Break, V2191
14. Sill Liner, W11576
15. Sill
16. Sill Nailing Fin, V084
17. Bottom Sash Latch Assembly
18. Cord Guide Assembly
19. Operation Cord
20. Jamb Nailing Fin, V104
21. Jamb
22. Vinyl Jamb Liner, V2655
23. Jamb Liner, W12679
24. Stile Bottom Sash
25. Clad Mid Exterior Cover, A2460
26. Mid Cover Base, V2432
27. Frame Weather Strip, V2682
28. Interior Jamb Cover, W11581
29. Exterior Hardware Cover, V2338
30. Head Jamb Weather Strip, V2783
31. Bottom Sash Balance Tube
32. Top Sash Balance Tube
33. Exterior Clad Cover, A2615
34. Exterior Sash Stop, V2257
35. Stile Top Sash
36. IZ3 Sill Reinforcement, A2766
37. Bottom Rail Filler V2301
38. Glazing Bead V2300
39. Sash Filler V2430
40. Strike Assembly
41. Full Screen Assembly

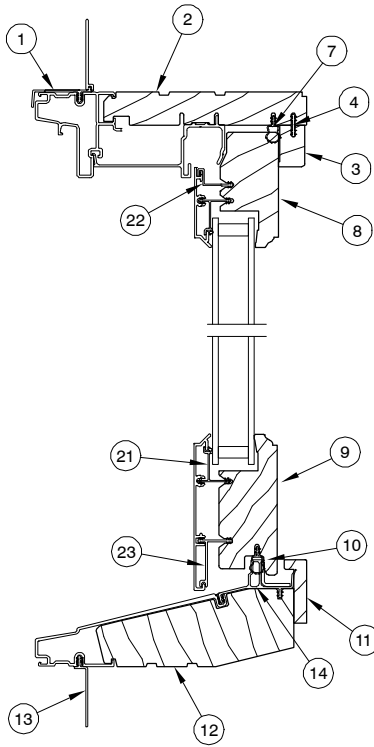


**Jamb
Horizontal Detail**

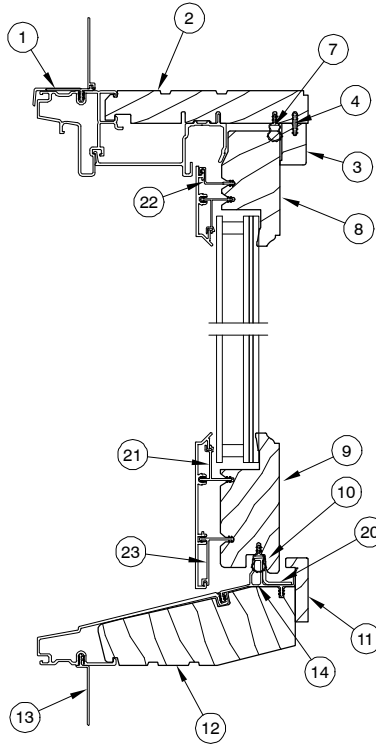


Check Rail

Ultimate Double Hung Picture G2

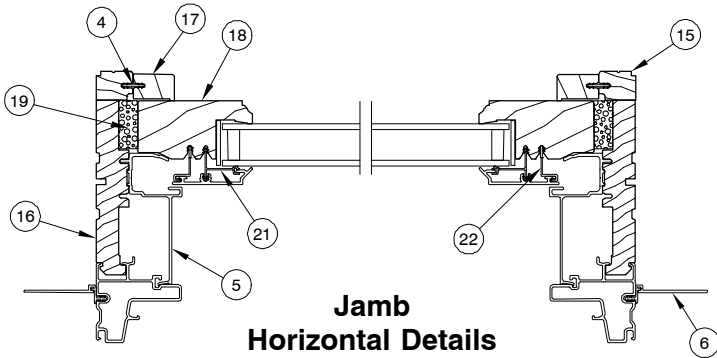


**Head Jamb and Sill
Vertical Details**

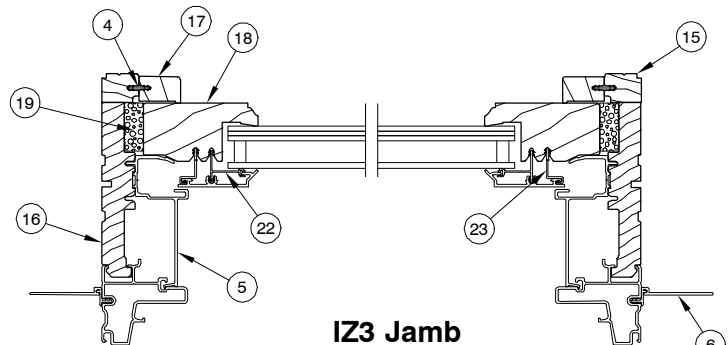


**IZ3 Head Jamb and Sill
Vertical Details**

1. Head Jamb Nailing Fin/Drip Cap, V119
2. Head Jamb
3. Interior Sash Stop, W12407
- IZ3 Interior Sash Stop, W11836
4. Connecting Barb, V803
5. Exterior Clad Cover, A3077
6. Jamb Nailing Fin, V104
7. Weather Strip, V2779
8. Top Rail
9. Bottom Rail
10. Weather Strip, V2779
11. Sill Liner, W11825
12. Sill
13. Sill Nailing Fin, V084
14. Sill Thermal Break/Liner, V2191
15. Jamb Liner, W12691
16. Jamb
17. Jamb Stop, W12407
18. Stile
19. Jamb Filler Foam
20. IZ3 Sill Bracket
21. Glazing Bed V2300
22. Sash Filler V2430
23. Bottom Rail Filler V2301

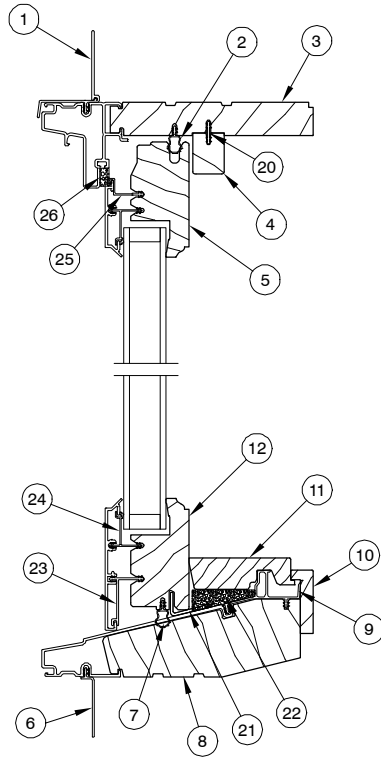


**Jamb
Horizontal Details**



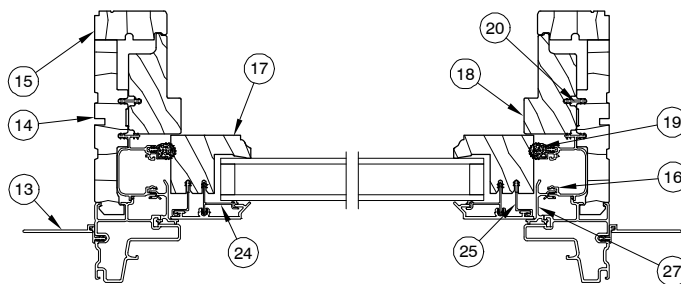
**IZ3 Jamb
Horizontal Details**

Ultimate Double Hung Transom G2



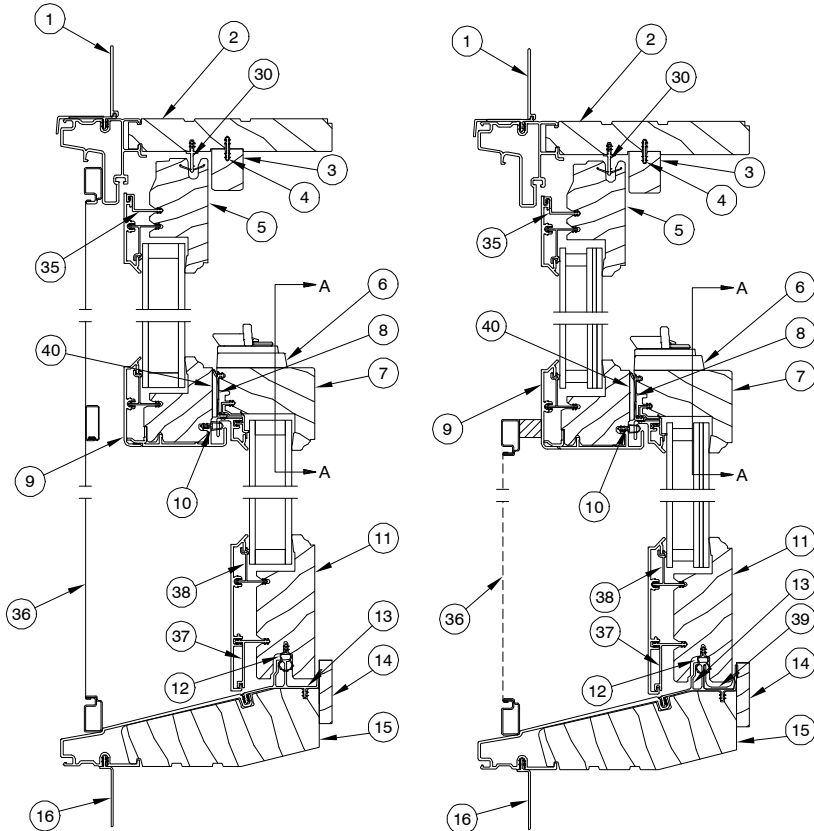
- 1. Head Jamb Nailing Fin/Drip Cap, V119
- 2. Weather Strip, V2779
- 3. Head Jamb
- 4. Parting Stop, W11578
- 5. Top Rail
- 6. Sill Nailing Fin, V084
- 7. Weather Strip, V2779
- 8. Sill
- 9. Sill Thermal Break, V2191
- 10. Sill Liner, W11825
- 11. Sill Filler, W12061
- 12. Bottom Rail
- 13. Jamb Nailing Fin, V104
- 14. Jamb
- 15. Interior Jamb Liner, W12679
- 16. Vinyl Jamb Liner, V2655
- 17. Stile
- 18. Interior Cover Transom, W11906
- 19. Jamb Weather Strip, V2682
- 20. Connecting Barb, V803
- 21. Transom Bracket
- 22. Transom Sill Filler Foam
- 23. Bottom Rail Filler V2301
- 24. Glazing Bead V2300
- 25. Sash Filler V2430
- 26. Foam Tape
- 27. Vinyl Spacer V2573

**Head Jamb and Sill
Vertical Details**



**Jamb
Horizontal Details**

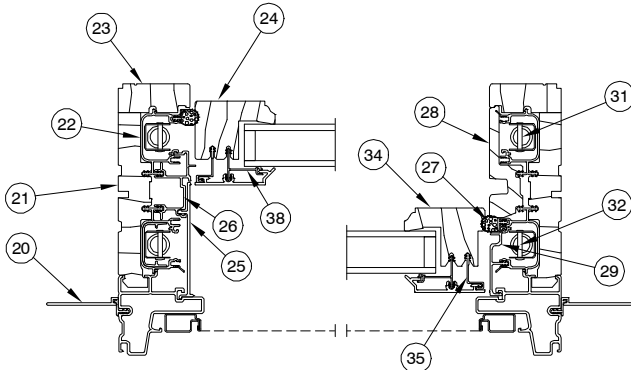
**Ultimate Single Hung G2
Operator**



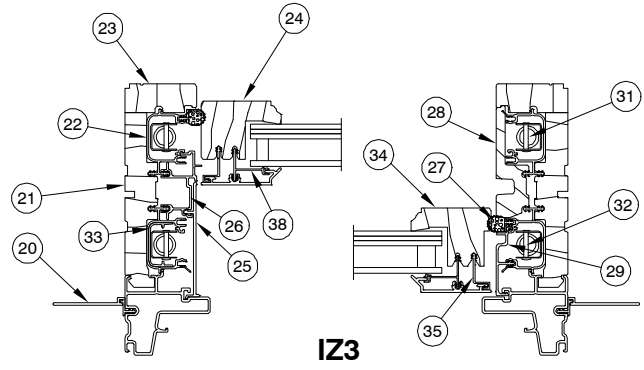
1. Head Jamb Nailing Fin/Drip Cap, V119
2. Head Jamb
3. Parting Stop, W11578
4. Connecting Barb, V803
5. Top Rail
6. Sash Lock
7. Bottom Check Rail
8. Bottom Check Rail Hardware Cover, V2478
9. Top Check Rail
10. Top Check Rail Weather Strip, V2803
11. Bottom Rail
12. Weather Strip, V2779
13. Sill Thermal Break, V2191
14. Sill Liner, W11576
15. Sill
16. Sill Nailing Fin, V084
17. Bottom Sash Latch Assembly
18. Cord Guide Assembly
19. Operation Cord
20. Jamb Nailing Fin, V104
21. Jamb
22. Vinyl Jamb Liner, V2655
23. Jamb Liner, W12679
24. Stile Bottom Sash
25. Single Hung Exterior Cover, A2700
26. Mid Cover Base, V2432
27. Frame Weather Strip, V2682
28. Interior Jamb Cover, W11581
29. Exterior Hardware Cover, V2338
30. Head Jamb Weather Strip, V2783
31. Bottom Sash Balance Tube
32. Top Sash Balance Tube
33. Exterior Sash Stop V2257
34. Stile Top Sash
35. Sash Filler V2430
36. Half Screen
37. Bottom Rail Filler V2301
38. Glazing Bead V2300
39. Sill Reinforcement IZ3 A2766
40. Strike Assembly

**Head Jamb and Sill
Vertical Details**

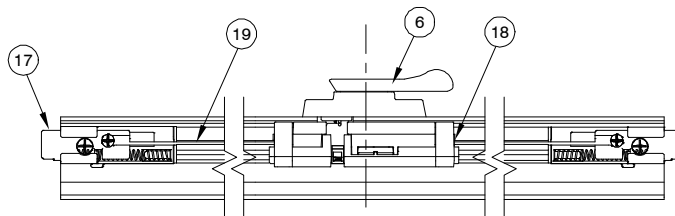
**IZ3 Head Jamb and Sill
Vertical Detail**



**Jamb
Horizontal Details**

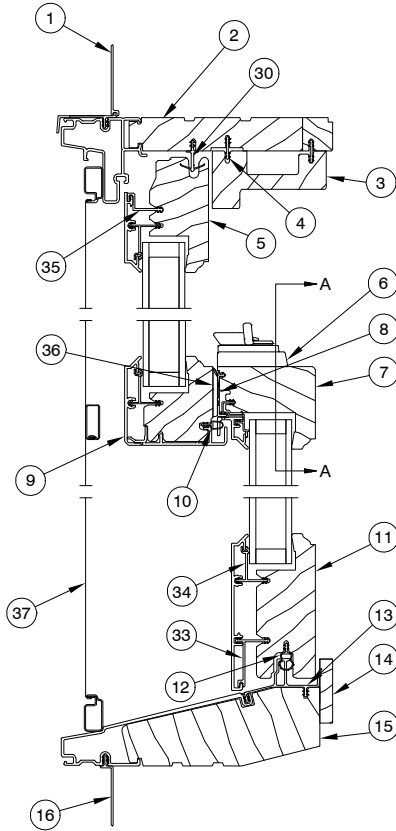


**IZ3
Jamb
Horizontal Details**



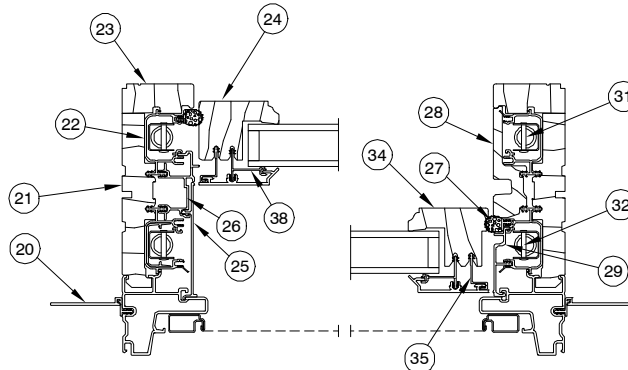
Check Rail

**Ultimate Single Hung G2
Operator with Lock Status Sensor**

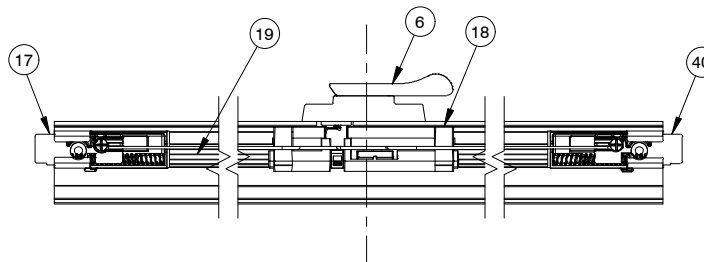


**Head Jamb and Sill
Vertical Details**

1. Head Jamb Nailing Fin/Drip Cap, V119
2. Head Jamb
3. Transmitter Cover, W12982
4. Connecting Barb, V803
5. Top Rail
6. Sash Lock
7. Bottom Check Rail
8. Bottom Check Rail Hardware Cover, V2478
9. Top Check Rail
10. Top Check Rail Weather Strip, V2803
11. Bottom Rail
12. Weather Strip, V2779
13. Sill Thermal Break, V2191
14. Sill Liner, W11576
15. Sill
16. Sill Nailing Fin, V084
17. Bottom Sash Latch Assembly
18. Cord Guide Assembly
19. Operation Cord
20. Jamb Nailing Fin, V104
21. Jamb
22. Vinyl Jamb Liner, V2655
23. Jamb Liner, W12679
24. Stile Bottom Sash
25. Single Hung Exterior Cover, A2700
26. Mid Cover Base, V2432
27. Frame Weather Strip, V2682
28. Interior Jamb Cover, W11581
29. Exterior Hardware Cover, V2338
30. Head Jamb Weather Strip, V2783
31. Bottom Sash Balance Tube
32. Top Sash Balance Tube
33. Exterior Sash Stop V2257
34. Stile Top Sash
35. Sash Filler V2430
36. Strike Assembly
37. Screen
38. Glazing Bead V2300
39. Strike Assembly
40. Bottom Sash Latch Assembly, LSS



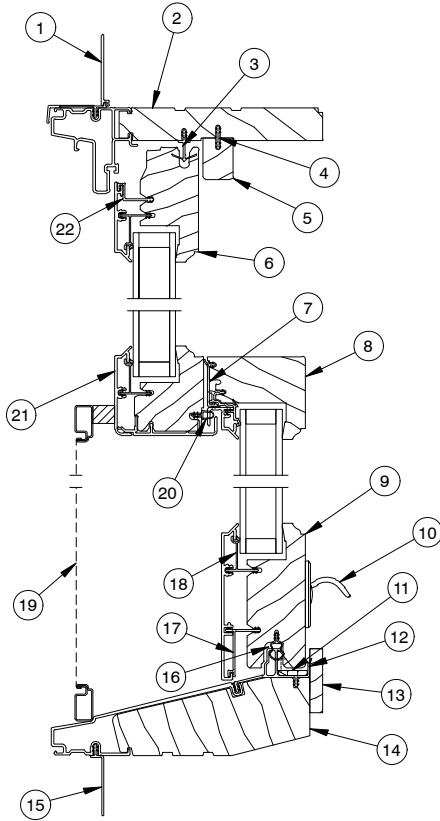
**Jamb
Horizontal Details**



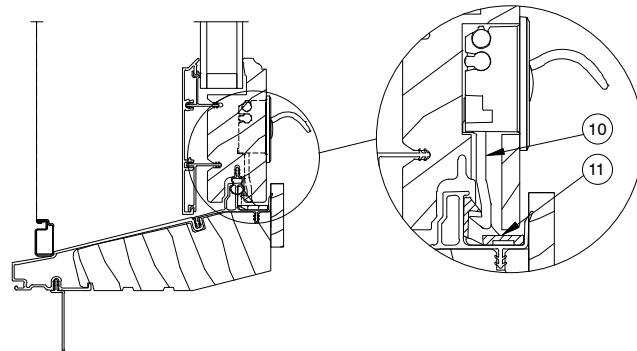
Check Rail

Ultimate Single Hung G2 Operator with Lift Lock Option

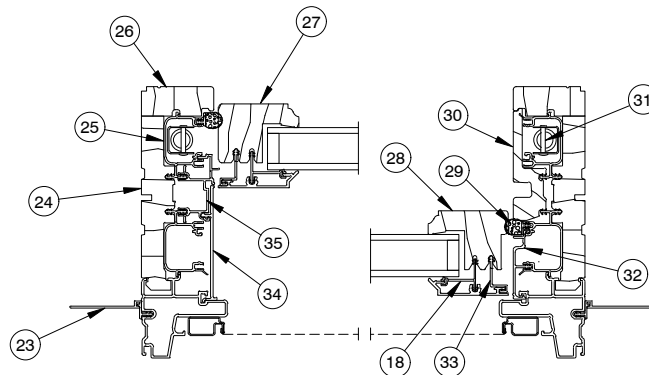
- | | |
|--|---|
| 1. Head Jamb Nailing Fin/Drip Cap, V119 | 19. Half Screen Assembly |
| 2. Head Jamb | 20. Top Check Rail Weather Strip, V2783 |
| 3. Head Jamb Weather Strip, V2783 | 21. Top Check Rail |
| 4. Connecting Barb, V803 | 22. Sash Filler, V2249 |
| 5. Parting Stop, W11578 | 23. Jamb Nailing Fin, V104 |
| 6. Top Sash Rail | 24. Jamb |
| 7. Bottom Check Rail Hardware Cover, V2478 | 25. Vinyl Jamb Liner, V2655 |
| 8. Bottom Check Rail | 26. Jamb Liner, W12679 |
| 9. Bottom Rail | 27. Bottom Sash Stile |
| 10. Lift Lock | 28. Top Sash Stile |
| 11. Lift Lock Strike | 29. Jamb Weather Strip, V2682 |
| 12. Sill Thermal Break/Liner, V2191 | 30. Interior Jamb Cover |
| 13. Sill Liner, W11576 | 31. Bottom Sash Balance Tube |
| 14. Sill | 32. Exterior Hardware Cover |
| 15. Sill Nailing Fin, V084 | 33. Sash Filler, V2249 |
| 16. Bottom Rail Weather Strip, V2779 | 34. Exterior Cover, A2700 |
| 17. Bottom Rail Filler, V2376 | 35. Mid Exterior Cover Base, V2432 |
| 18. Glazing Bead, V2300 | |



**Head Jamb and Sill
Vertical Details**

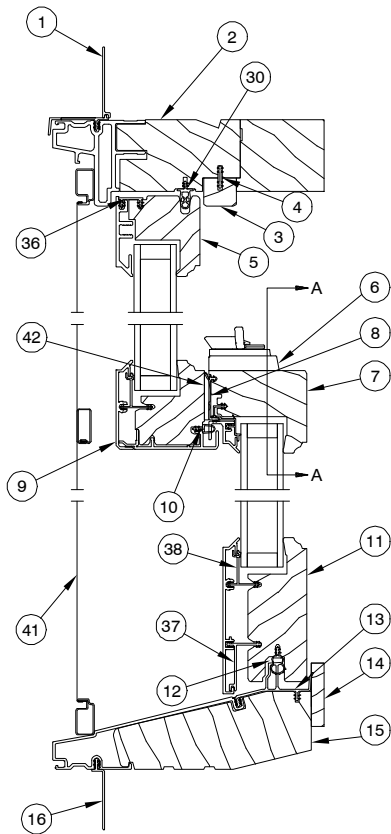


**Lift Lock Cut-Away
Details**

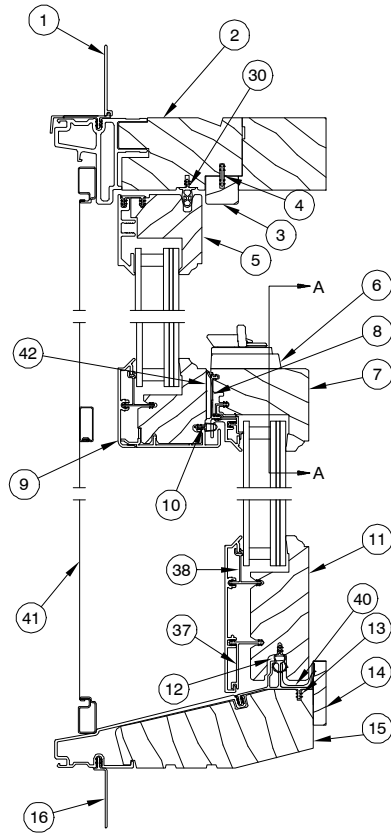


**Jamb
Horizontal Details**

Ultimate Double Hung Round Top G2 Operator

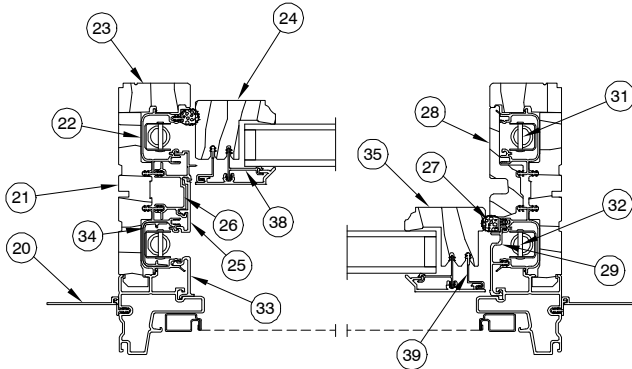


**Head Jamb and Sill
Vertical Detail**

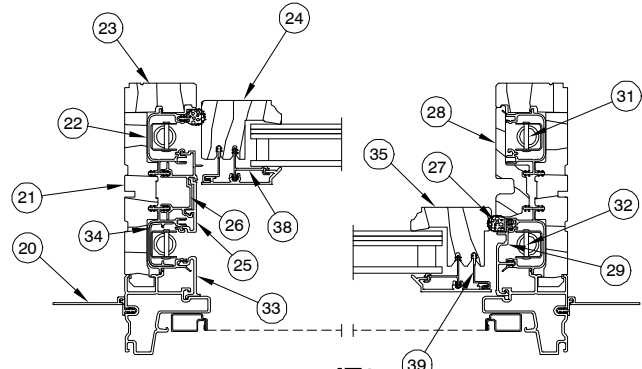


**IZ3 Head Jamb and Sill
Vertical Detail**

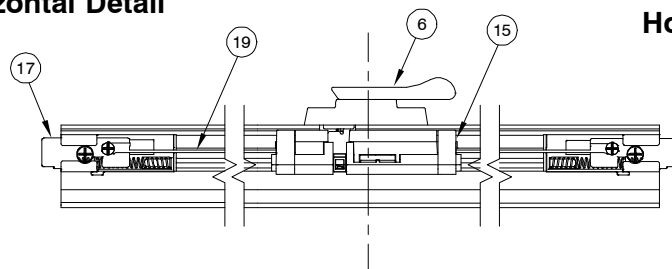
1. Head Jamb Nailing Fin/Drip Cap, V119
2. Head Jamb
3. Parting Stop, W12224
4. Connecting Barb, V803
5. Top Rail
6. Sash Lock
7. Bottom Check Rail
8. Bottom Check Rail Hardware Cover, V2478
9. Top Check Rail
10. Top Check Rail Weather Strip, V2803
11. Bottom Rail
12. Weather Strip, V2779
13. Sill Thermal Break, V2191
14. Sill Liner, W11576
15. Sill
16. Sill Nailing Fin, V084
17. Bottom Sash Latch Assembly
18. Cord Guide Assembly
19. Operation Cord
20. Jamb Nailing Fin, V104
21. Jamb
22. Vinyl Jamb Liner, V2655
23. Jamb Liner, W12679
24. Stile Bottom Sash
25. Clad Mid Exterior Cover, A2460
26. Mid Cover Base, V2432
27. Frame Weather Strip, V2682
28. Interior Jamb Cover, W11581
29. Exterior Hardware Cover, V2338
30. Head Jamb Weather Strip, V2786
31. Bottom Sash Balance Tube
32. Top Sash Balance Tube
33. Exterior Clad Cover, A2615
34. Exterior Sash Stop, V2257
35. Stile Top Sash
36. Sash Retainer V2401
37. Bottom Sash Filler V2301
38. Glazing Bead V2300
39. Sash Filler V2430
40. IZ3 Sill Reinforcement A2766
41. Full Screen Assembly
42. Strike Assembly



**Jamb
Horizontal Detail**

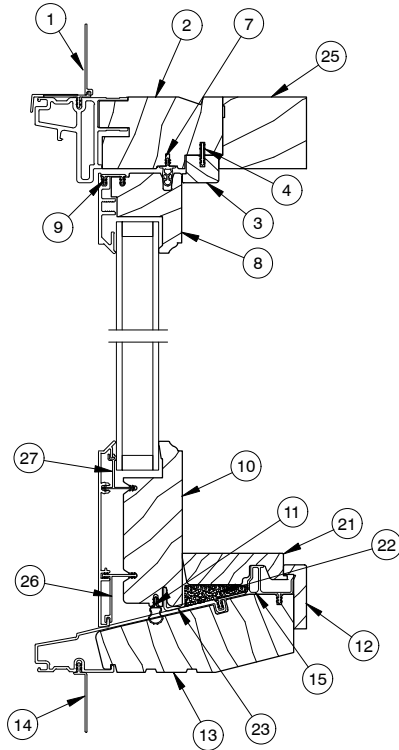


**IZ3
Jamb
Horizontal Detail**



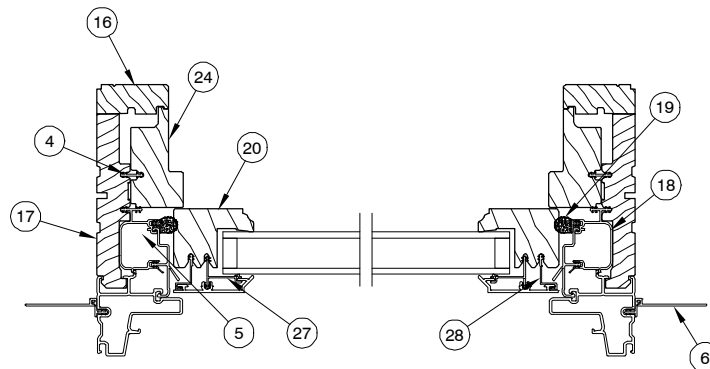
Check Rail

Ultimate Double Hung Picture Round Top G2



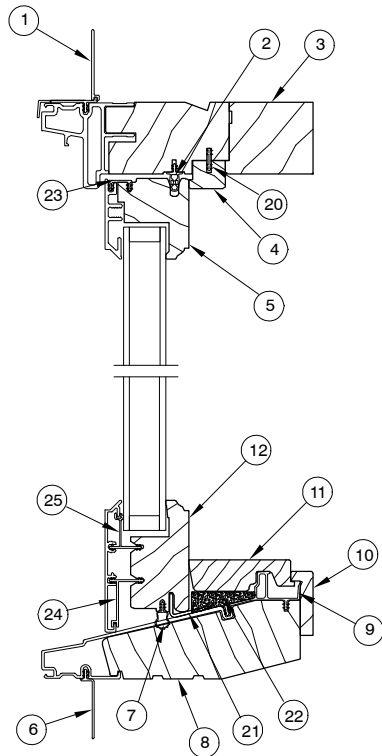
1. Head Jamb Nailing Fin/Drip Cap, V119
2. Head Jamb
3. Head Jamb stop W12851
4. Connecting Barb, V803
5. Sash Retainer Cover, V2509
6. Jamb Nailing Fin, V104
7. Head Jamb Weather Strip, V2786
8. Top Rail
9. Sash Connector, V2401
10. Bottom Rail
11. Weather Strip, V2779
12. Sill Liner, W11825
13. Sill
14. Sill Nailing Fin, V084
15. Sill Thermal Break/Liner, V2191
16. Jamb Liner, W12679
17. Jamb
18. Vinyl Jamb Liner, V2655
19. Jamb Weather Strip, V2682
20. Stile
21. Sill Filler, W12061
22. Sill Filler Foam
23. Bracket
24. Interior Cover, W11906
25. Head Jamb, Interior Component
26. Bottom Rail Filler V2301
27. Glazing Bead V2300
28. Sash Filler V2430

**Head Jamb and Sill
Vertical Details**



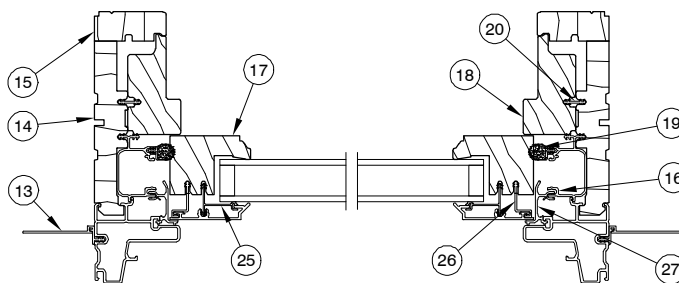
**Jamb
Horizontal Details**

Ultimate Double Hung Transom Round Top



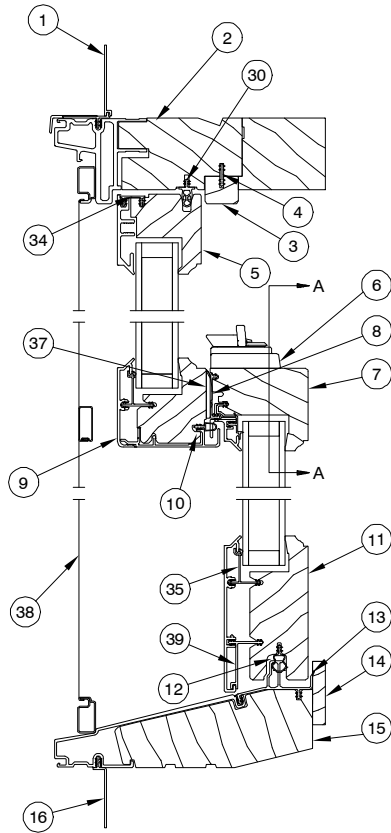
1. Head Jamb Nailing Fin/Drip Cap, V119
2. Head Jamb Weather Strip, V2786
3. Head Jamb
4. Head Jamb Stop, W12851
5. Top Rail
6. Sill Nailing Fin, V084
7. Weather Strip, V2779
8. Sill
9. Sill Thermal Break, V2191
10. Sill Liner, W11825
11. Sill Filler, W12061
12. Bottom Rail
13. Jamb Nailing Fin, V104
14. Jamb
15. Interior Jamb Liner, W12679
16. Vinyl Jamb Liner, V2385
17. Stile
18. Interior Cover Transom, W11906
19. Jamb Weather Strip, V2336
20. Connecting Barb, V803
21. Transom Bracket
22. Transom Sill Filler Foam
23. Sash Connector, V2401
24. Bottom Rail Filler V2301
25. Glazing Bead V2300
26. Sash Filler V2430
27. Vinyl Spacer V2573

Head Jamb and Sill Vertical Details



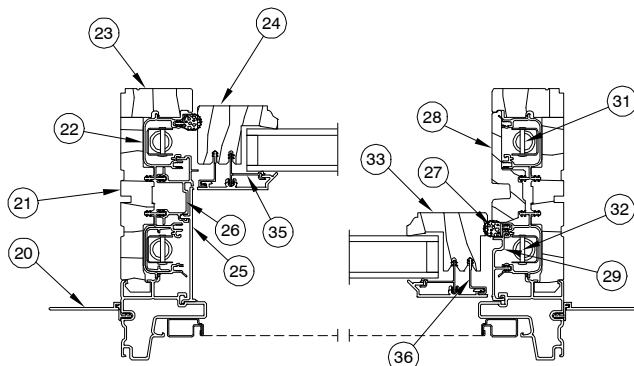
Jamb Horizontal Details

**Ultimate Single Hung Round Top
Operator**

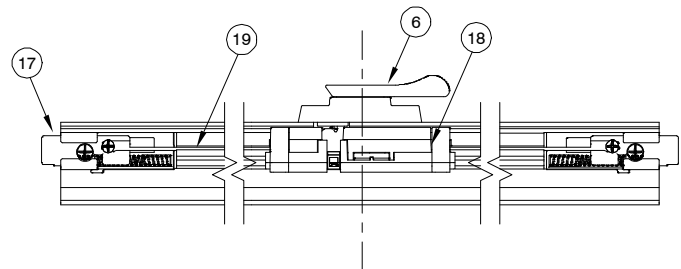


**Head Jamb and Sill
Vertical Details**

1. Head Jamb Nailing Fin/Drip Cap, V119
2. Head Jamb
3. Parting Stop, W12224
4. Connecting Barb, V803
5. Top Rail
6. Sash Lock
7. Bottom Check Rail
8. Bottom Check Rail Hardware Cover, V2478
9. Top Check Rail
10. Top Check Rail Weather Strip, V2803
11. Bottom Rail
12. Weather Strip, V2779
13. Sill Thermal Break, V2191
14. Sill Liner, W11576
15. Sill
16. Sill Nailing Fin, V084
17. Bottom Sash Latch Assembly
18. Cord Guide Assembly
19. Operation Cord
20. Jamb Nailing Fin, V104
21. Jamb
22. Vinyl Jamb Liner, V2655
23. Jamb Liner, W12679
24. Stile Bottom Sash
25. Single Hung Exterior Cover, A2700
26. Mid Cover Base, V2432
27. Frame Weather Strip, V2682
28. Interior Jamb Cover, W11581
29. Exterior Hardware Cover, V2338
30. Head Jamb Weather Strip, V2786
31. Bottom Sash Balance Tube
32. Top Sash Balance Tube
33. Stile Top Sash
34. Sash Connector V2401
35. Glazing bead V2300
36. Sash Filler V2430
37. Strike Assembly
38. Full Screen Assembly
39. Bottom Sash Filler V2301

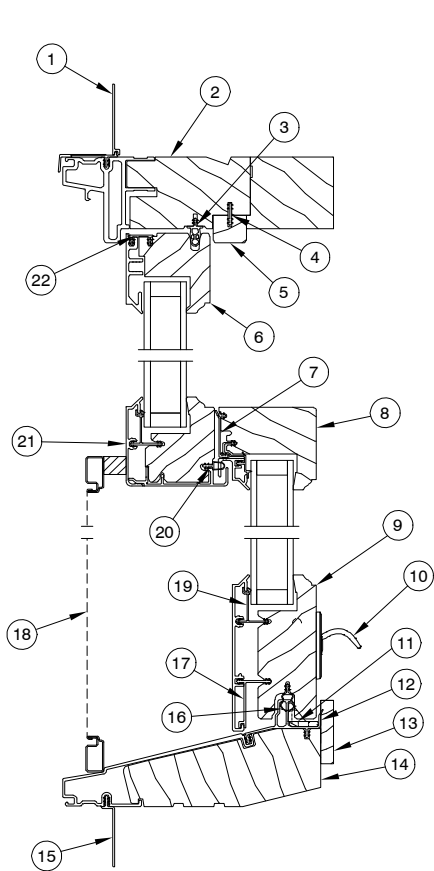


**Jamb
Horizontal Details**



Check Rail

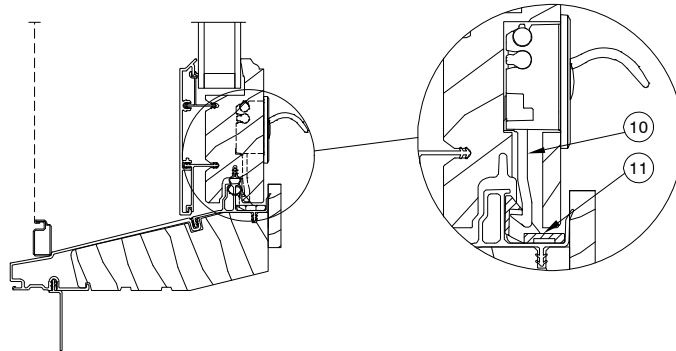
**Ultimate Single Hung Round Top
Operator with Lift Lock Option**



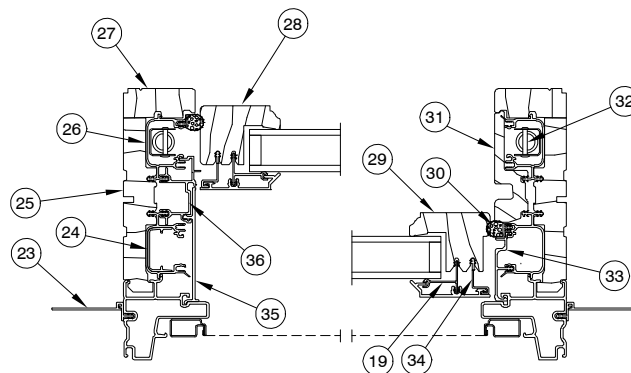
**Head Jamb and Sill
Vertical Details**

1. Head Jamb Nailing Fin/Drip Cap, V119
2. Head Jamb
3. Head Jamb Weather Strip, V2419
4. Connecting Barb, V803
5. Parting Stop, W12224
6. Top Rail
7. Bottom Check Rail Hardware Cover, V2478
8. Bottom Check Rail
9. Bottom Rail
10. Lift Lock
11. Lift Lock Strike
12. Sill Thermal Break, V2191
13. Sill Liner, W11576
14. Sill
15. Sill Nailing Fin, V084
16. Bottom Rail Weather Strip, V2779
17. Bottom Rail Filler, V2301
18. Half Screen Assembly
19. Glazing Bead V2300

20. Top Check Rail Weather Strip, V2803
21. Top Check Rail
22. Sash Retainer, V2401
23. Jamb Nailing Fin, V104
24. Exterior Sash Stop, V2257
25. Jamb
26. Vinyl Jamb Liner, V2655
27. Interior Jamb Liner, W12679
28. Stile Bottom Sash
29. Stile Top Sash
30. Frame Weather Strip, V2682
31. Interior Jamb Cover, W11581
32. Bottom Sash Balance Tube
33. Exterior Hardware Cover, V2338
34. Sash Filler, V2430
35. Exterior Cover
36. Mid Cover Base, V2432



**Lift Lock Cut-Away
Details**



**Jamb
Horizontal Details**

When ordering replacement parts specify:

1. original order number;
2. type of unit;
3. part number;
4. description.

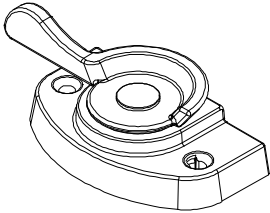
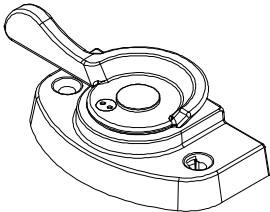
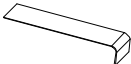
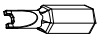
ILLUSTRATION NOT TO SCALE	DESCRIPTION	OPER./COLOR	PART NO.
	<p>Tilt/Non-Tilt Lock Handle Kit – Ultimate Double Hung G2</p> <p>Includes: Lock handle and two color match wood screws</p> <p>Lock Handle (each): BZ (10501035), TP (10501036), WH (10501037), AB (10501038), BS (10501039), ORB (10501040), PC (10501041), SC (10501042), SN (10501043), MBK (10501044)</p> <p>Screws (each): #7 x 1 1/4" Phillips flat head screw BZ (11807118), TP (11807122), WH (11807115), AB (11807126), BS (11807120), ORB (11807132), PC (11807128), SC (11807127), SN (11807133), MBK (11807137)</p>	<p>Bronze (BZ) Satin Taupe (TP) White (WH) Antique Brass (AB) Brass (BS) Oil Rubbed Bronze (ORB) Polished Chrome (PC) Satin Chrome (SC) Satin Nickel (SN) Matte Black (MBK)</p>	<p>11851402 11851400 11851401 11851403 11851404 11851405 11851406 11851407 11851408 11851409</p>
	<p>Tilt/Non-Tilt Lock Handle Kit – Custodial Ultimate Double Hung G2</p> <p>Includes: Lock handle, color match screws and tamper Resistant screw kit</p> <p>Lock Handle (each): BZ (10501094), TP (10501095), WH (10501096), MBK (10501097)</p> <p>Screws (each) : #7 x 1 1/4" Phillips flat head screw BZ (11807118), TP (11807122), WH (11807115), MBK (11807137)</p> <p>Tamper Resistant Screw Kit (each) BZ (11800430), TP (11800428), WH (11800429), MBK (11800432)</p>	<p>Bronze Satin Taupe White Matte Black</p>	<p>11869277 11869275 11869276 11869278</p>
	<p>Catch Spring</p>		<p>10501214</p>
	<p>Tool Bit – Tamper Resistant Screw (#4 Spanner Bit)</p>		<p>10500543</p>

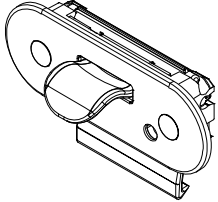

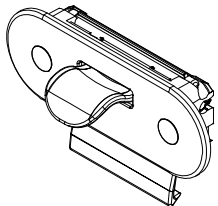
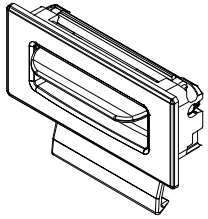
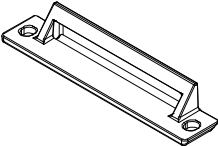
ILLUSTRATION <i>NOT TO SCALE</i>	DESCRIPTION	OPER./COLOR	PART NO.
	Lift Lock Assembly – Custodial Ultimate Single Hung G2 Ultimate Single Hung Round Top G2 <i>Uses (not included)</i> 1 – Custodial screw kit shown below (order matching color)	Bronze Satin Taupe White MBK	10501876 10501877 10501878 10501879
	<i>Uses (not included):</i> #4 spanner bit		10500543
	<i>Uses (not included):</i> 2 – #7 x 1" Phillips pan head screws		11800196
	Lift Lock Assembly – Custodial Screw Kit Ultimate Single Hung G2 Ultimate Single Hung Round Top G2 <i>includes:</i> 2 – 4-40 flat head machine screws BZ (11800427), TP (11800425), WH (11800426), MBK (1180431)	Bronze Satin Taupe White MBK	11869256 11869254 11869255 11869257
	Lift Lock Assembly – Traditional Ultimate Single Hung G2 Ultimate Single Hung Round Top G2	Bronze Satin Taupe White Antique Brass Brass Oil Rubbed Bronze Polished Chrome Satin Chrome Satin Nickel Matte Black	10501855 10501856 10501857 10501860 10501861 10501859 10501864 10501863 10501862 10501858
	<i>Uses (not included):</i> 2 – #7 x 1" Phillips pan head screws		11800196
	Lift Lock Assembly – Contemporary Ultimate Single Hung G2 Ultimate Single Hung Round Top G2	Bronze Satin Taupe White Antique Brass Brass Oil Rubbed Bronze Polished Chrome Satin Chrome Satin Nickel Matte Black	10501866 10501867 10501868 10501871 10501872 10501870 10501875 10501874 10501873 10501869
	<i>Uses (not included):</i> 2 – #7 x 1" Phillips pan head screws		11800196
	Lift Lock Sill Strike Ultimate Single Hung G2 Ultimate Single Hung Round Top G2	White Black Beige	10501880 10501881 10501882
	<i>Uses (not included):</i> 2 – #7 x 9/16" Phillips pan head screws		White Black Beige

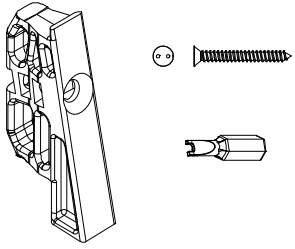
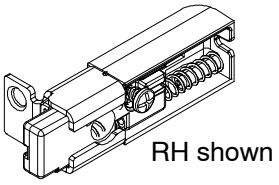
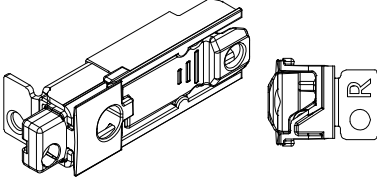
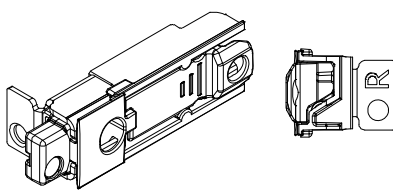
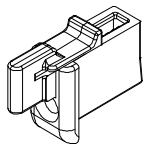
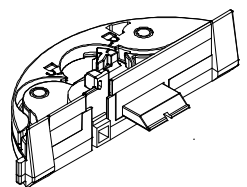
ILLUSTRATION NOT TO SCALE	DESCRIPTION	OPER./COLOR	PART NO.
	<p>Both Sash Stationary Kit Ultimate Single Hung G2 Ultimate Single Hung Round Top G2</p> <p><i>Includes:</i> 2 – (a) Stop, both sash stationary, BG (10501520), WH (10501522) BK (10501521) 2 – (b) #6 x 1 1/4" tamper resistant screw (11800700) 1 – #6 spanner bit (02058024) 1 – Instructions (19915860)</p>	<p>Beige White Black</p>	<p>11850200 11850202 11850201</p>
 <p>RH shown</p>	<p>Bottom Sash Latch Assembly Ultimate Double Hung G2</p> <p><i>Uses (not included):</i> 1 – #6x1" Phillips flat head screw (11800660) 1 – #8x1 1/4" Phillips pan head screw (11800825)</p> <p>NOTE: Right hand screw in Left hand assembly and Left hand screw in Right hand assembly.</p>	<p>LH RH</p>	<p>10501463 10501464</p>
 <p>RH shown</p>	<p>Bottom Sash Manual Latch Assembly – Lift Lock Ultimate Single Hung G2 Ultimate Single Hung Round Top G2</p> <p><i>Uses (not included):</i> 1 – #6x1" Phillips flat head screw (11800660) 1 – #8x1 1/4" Phillips pan head screw (11800825) 1 – #6x 5/8" Phillips pan head screw (11801625)</p>	<p>LH Beige LH White LH Black</p> <p>RH Beige RH White RH Black</p>	<p>10501508 10501505 10501511</p> <p>10501509 10501506 10501512</p>
 <p>RH shown</p>	<p>Bottom Sash Manual Latch Assembly – Lift Lock with Lock Status Sensor Ultimate Single Hung G2 Ultimate Single Hung Round Top G2</p> <p><i>Uses (not included):</i> 1 – #6x1" Phillips flat head screw (11800660) 1 – #8x1 1/4" Phillips pan head screw (11800825) 1 – #6x 5/8" Phillips pan head screw (11801625)</p>	<p>RH Beige RH White RH Black</p>	<p>10501510 10501507 10501513</p>
	<p>Top Sash Tilt Latch Assembly Ultimate Double Hung G2 Ultimate Double Hung Disc LA Pre 4/24/2017 <i>For units produced after 10/31/2016</i></p> <p><i>Uses (not included):</i> 1 – #6x1 1/2" Phillips flat head screw (11800133)</p>	<p>Beige</p>	<p>10500779</p>
	<p>Cord Guide Assembly Bottom Sash Ultimate Double Hung G2 <i>Lineal length of cord included.</i></p>	<p>Beige White Black</p>	<p>10501215 10501216 10501217</p>

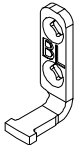

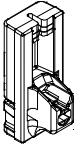
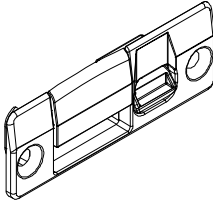
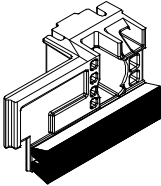
ILLUSTRATION NOT TO SCALE	DESCRIPTION	OPER./COLOR	PART NO.
 <p>LH Shown</p>	<p>Bottom Sash Tilt Pin Ultimate Double Hung G2 Ultimate Double Hung Disc LA Pre 4/24/2017</p> <p><i>Uses (not included):</i> 2 - #7x1 1/4" Phillips flathead wood screws (11806108)</p>	<p>LH RH</p>	<p>10500762 10500763</p>
 <p>LH Shown</p>	<p>Top Sash Tilt Pin Ultimate Double Hung G2 Ultimate Double Hung Disc LA Pre 4/24/2017</p> <p><i>Uses (not included):</i> 2 - #7x3/4" Phillips flathead wood screws (11806108)</p>	<p>LH RH</p>	<p>10500775 10500776</p>
	<p>Clutch Assembly Ultimate Double Hung G2 Ultimate Double Hung Disc LA Pre 4/24/2017</p>	<p>Black</p>	<p>10501430</p>
	<p>Strike Assembly Kit Ultimate Double Hung G2</p> <p><i>Includes:</i> Strike base, button and two color match wood screws</p> <p>Strike Base and Button (each): BZ (10501221), TP (10501222), WH (10501223), AB (10501224), BS (10501225), ORB (10501226), PC (10501227), SC (10501228), SN (10501229), MBK (10501230)</p> <p>Screws (each): #7 x 7/8" Color Match Wood Screws BZ (11807879), TP (11807880) WH (11807875), AB (11807883), BS (11807882), ORB (11807878), PC (11807885), SC (11807884), SN (11807881), MBK (11807886)</p>	<p>Bronze Satin Taupe White Antique Brass Brass Oil Rubbed Bronze Polished Chrome Satin Chrome Satin Nickel Matte Black</p>	<p>11851412 11851410 11851411 11851413 11851414 11851415 11851416 11851417 11851418 11851419</p>
 <p>RH Shown</p>	<p>Jamb Receiver Assembly Ultimate Double Hung G2</p> <p><i>Includes:</i> Foam Gasket and Pile Weather Strip</p>	<p>LH Black RH Black</p>	<p>10500765 10500766</p>

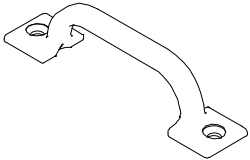
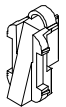
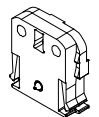
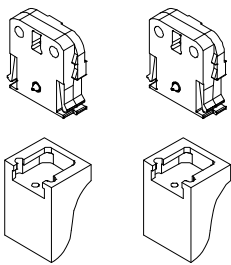
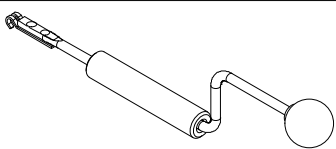
ILLUSTRATION <i>NOT TO SCALE</i>	DESCRIPTION	OPER./COLOR	PART NO.
	<p>Sash Lift Kit Ultimate Double Hung G2 Ultimate Double Hung Disc LA Pre 4/24/2017 <i>Note: Can not be used with retractable screen.</i> <i>Included (color match screws are included) :</i> 1 – Sash lift 2 – #8 x 1" slotted ovalhead sheet metal screws</p>	Bronze Satin Taupe White Antique Brass Brass Oil Rubbed Bronze Polished Chrome Satin Chrome Satin Nickel Matte Black	10500557 10500598 10500556 10500597 10500558 10500601 10500595 10500596 10500602 10500577
<p><i>Image not available</i></p>	<p>Sash Lift Screws Ultimate Double Hung G2 Ultimate Double Hung Disc LA Pre 4/24/2017 <i>Available by individual part number</i> #8 x 1" slotted ovalhead sheet metal screws</p>	Bronze White Antique Brass Brass Oil Rubbed Bronze Polished Chrome Satin Chrome Satin Nickel	11800888 11800887 11800890 11800889 11800893 11800892 11800891 11800894
	<p>Bottom Sash Limiter Ultimate Double Hung G2 Ultimate Double Hung Disc LA Pre 4/24/2017 <i>Note: 2 needed per unit</i></p>	Beige Black White	10501470 10501471 10501472
	<p>Exterior Sash Lug Retainer Ultimate Double Hung G2 Ultimate Double Hung Disc LA Pre 4/24/2017 <i>Uses (not included):</i> 1 – #8-15x3/4" Full thread 410 SS screw (11800208)</p>	Black	10500769
	<p>Exterior Sash Lug Kit – Ogee Profile Ultimate Double Hung G2 Ultimate Double Hung Disc LA Pre 4/24/2017 <i>Includes:</i> 2 – Exterior Sash Lugs – Ogee Profile 2 – Exterior Sash Lug Retainers 2 – #8-15x3/4" Full thread 410 SS screw (11800208)</p>	Sierra White Hampton Sage Cascade Blue Coconut Cream Cashmere Ebony Wineberry Stone White Evergreen Bronze Pebble Bahama Brown Cadet Gray Bright Silver Copper Liberty Bronze Clay Gunmetal Suede	11894166 11894165 11894164 11894162 11894160 11894159 11894157 11894155 11894154 11894153 11894152 11894151 11894163 11894168 11894167 11894171 11894174 18894172 11894173
	<p>Balance Tube Tensioning Tool Ultimate Double Hung G2 Ultimate Double Hung Disc LA Pre 4/24/2017</p>		05570910

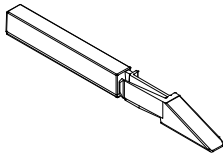
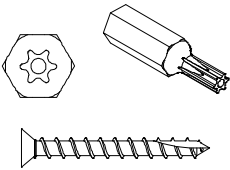
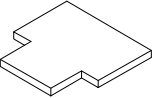
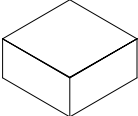
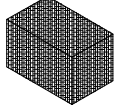
ILLUSTRATION NOT TO SCALE	DESCRIPTION	OPER./C OLOR	PART NO.
	<p>Non-Tilt Sash Removal Tool Kit Ultimate Double Hung G2 Ultimate Double Hung Disc LA Pre 4/24/2017</p> <p><i>Includes:</i> 2 - Non-Tilt Sash Removal Tool</p>	Black	11860094
	<p>Sash Installation Kit (For use with A3077 Exterior Filler) Ultimate Double Hung Picture G2 Ultimate Double Hung Picture G1 DISC LA PRE 4/24/17</p> <p><i>Includes:</i> 24 - #9x1 5/8" Torx flat head screws(11800914) 1 - T-20 Insert Bit 1 - Instruction (19915487)</p>		11869268
	<p>Foam Pad Sill Ultimate Double Hung G2 Ultimate Double Hung Disc LA Pre 4/24/2017</p>	Black	15350024
	<p>Jamb Filler Foam Ultimate Double Hung Picture G2 Ultimate Double Hung Picture G1 DISC LA PRE 4/24/17 <i>Specify length by LF</i></p>	Black	15350016
	<p>Reticulated Foam Block Ultimate Double Hung G2 <i>For use with reinforced check rail</i> 1 1/2" Length</p>	Charcoal	10500366

ILLUSTRATION NOT TO SCALE	DESCRIPTION	OPER./COLOR	PART NO.
	<p>Upper Jamb Structural Bracket A2771 – 6" (152) Ultimate Double Hung G2 Ultimate Double Hung Disc LA Pre 4/24/2017</p> <p><i>Uses (not included):</i> 1 – #8x1/2" Phillips flat head screw (11800516)</p>	<p>White Almond Black</p>	<p>18869006 18869106 18869206</p>
	<p>Lower Jamb Performance Bracket A2791 – 6" (152) Ultimate Double Hung G2 Ultimate Double Hung Disc LA Pre 4/24/2017</p> <p><i>Uses (not included):</i> 3 – #8x3/4" Phillips truss head screw</p>	<p>White Almond Black</p>	<p>18866307 18866407 18866507</p>
	<p>Sash Performance Bracket A2805 Ultimate Double Hung G2 Ultimate Double Hung Disc LA Pre 4/24/2017</p> <p><i>Uses (not included):</i> 3 – #7x3/4" Flat head screw (02050321)</p>	<p>Black</p>	<p>18866206</p>
	<p>Interior Sash Stop V2399 – 2 1/2" (64) Ultimate Double Hung G2 Ultimate Double Hung Disc LA Pre 4/24/2017</p>	<p>White Beige Black</p>	<p>15709400 15709402 15709401</p>
	<p>Exterior Sash Stop V2257 – 8" (203) Ultimate Double Hung G2 Ultimate Double Hung Disc LA Pre 4/24/2017</p> <p>NOTE: For V2257 Top Sash Limiter see Vinyl Replacement parts page.</p>	<p>White Beige Black</p>	<p>15366608 15366708 15366508</p>
	<p>Transom Sill Bracket Ultimate Double Hung G2 Ultimate Double Hung Disc LA Pre 4/24/2017</p> <p><i>Uses (not included):</i> 2 – #7x3/4" Phillips flat head S screw (02050321)</p>	<p>Stainless Steel</p>	<p>10500768</p>

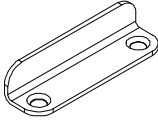
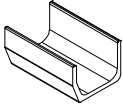
ILLUSTRATION <i>NOT TO SCALE</i>	DESCRIPTION	OPER./COLOR	PART NO.
	<p>IZ3/RT Picture/Transom Sill Bracket Ultimate Double Hung G2 Ultimate Double Hung Disc LA Pre 4/24/2017</p> <p><i>Uses (not included):</i> 2 – #7x3/4" flat head screws (02050321)</p>	<p>Stainless Steel</p>	<p>10500764</p>
	<p>Sill Reinforcement, IZ3 A2766 – Lineal 144" (3658) Ultimate Double Hung G2 Ultimate Double Hung Disc LA Pre 4/24/2017</p> <p><i>Uses (not included):</i> #8x1" Phillips flat head screw</p> <p><i>Screws (each):</i> White (11800558), Beige (11800559), Black(11800560)</p>	<p>Lineal White Almond Black</p>	<p>18865298 18865398 18865498</p>

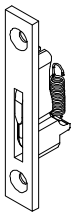
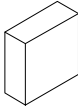
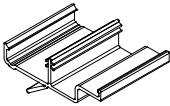
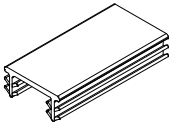
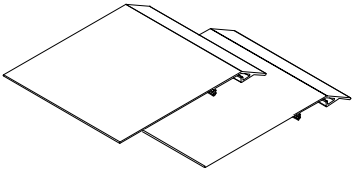
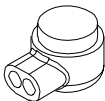

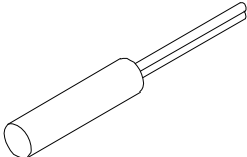
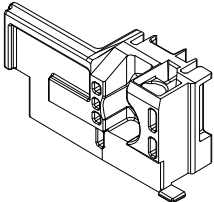
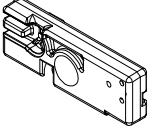
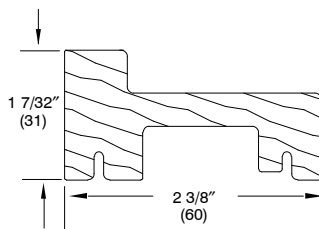
ILLUSTRATION NOT TO SCALE	DESCRIPTION	OPER./ COLOR	PART NO.
	Top Sash Tilt Latch Assembly Ultimate Double Hung G2 Ultimate Double Hung Disc LA Pre 4/24/2017 <i>Round Top operator units</i> <i>Uses (not included):</i> 2 – #7 – 19 x 5/8" PH FH screws (11800736)		10500713
	Spacer Ultimate Double Hung G2 Ultimate Double Hung Disc LA Pre 4/24/2017 <i>Round Top Picture and Round Top Transom</i>	Clear	15350023
	Sash Retainer Cover Ultimate Double Hung G2 Ultimate Double Hung Disc LA Pre 4/24/2017 <i>Round Top Picture and Round Top Transom</i> V2509 – Lineal 120" (3048)		15708199
	Sash Connector Ultimate Double Hung G2 Ultimate Double Hung Disc LA Pre 4/24/2017 <i>Round Top Operator, Picture and Transom</i> V2401 – Lineal 150" (3810)	Black	15368999
	Clad Ultimate Double Hung Round Top Tilt Jig – Top Sash <i>Includes:</i> 2 – Tilt jigs (15350014)		11869285

ILLUSTRATION NOT TO SCALE	DESCRIPTION	OPER./ COLOR	PART NO.
	Wire Connector, IDC <i>Holes sized for 22AWG Wire</i>		10501825
	Magnet Housing Assembly <i>Includes:</i> 1- Magnet 1/4" x 1 1/8" N42 1- Magnet Housing	Black White	10501834 10501835
	.245 x 1.000 Firecracker Reed Switch <i>72" long</i>	Black	10501827
	Jamb Receiver, Firecracker <i>RH only</i>	Black	10500719
	Bottom Sash Latch Assembly <i>Used to make compatible with Lock Status Sensor. Cannot be purchased separately must be included in the assembled version</i> <i>RH only</i>		10501474

CURRENT REPLACEMENT WOOD PARTS FOR LOCK STATUS SENSOR

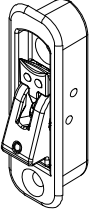
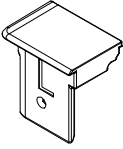
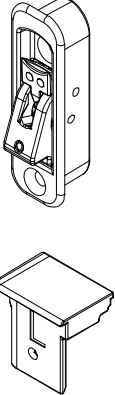
Description	Profile
Transmitter cover	W12982

W12982
 Transmitter cover
 Ultimate Double Hung G2



TO ORDER REPLACEMENT WOOD PARTS SPECIFY:

1. profile number or part number;
2. type of unit;
3. length;
4. finish.
5. species (if applicable).

ILLUSTRATION NOT TO SCALE	Description	Bumper Color	Color	Part Number
	<p>WOCD Field Applied and Replacement Kit, Top Sash Ultimate Double Hung G2</p> <p><i>Includes:</i> 2 – WOCD Assembly 4 – #8 x 1" Phillips flat head screw, full thread 1 – WOCD Safety Information 1 – WOCD Field applied instructions 1 – WOCD Hang tag</p>	<p>NA</p>	<p>Satin Taupe White Bronze Brass Antique Brass Polished Chrome Satin Chrome Oil Rubbed Bronze Satin Nickel Matte Black</p>	<p>11850690 11850691 11850692 11850693 11850694 11850695 11850696 11850697 11850698 11850700</p>
 <p><i>Left hand bumper shown. L indicates LH, R indicates RH</i></p>	<p>WOCD Field Applied and Replacement Kit, Bottom Sash Ultimate Double Hung G2</p> <p><i>Includes:</i> 1 – WOCD Bumper, RH, bottom check rail 1 – WOCD Bumper, LH, bottom check rail 1 – WOCD Safety Information 1 – WOCD Field applied instructions 1 – WOCD Hang tag 1 – WOCD Sticker</p>	<p>White Beige Black</p>	<p>NA</p>	<p>11850706 11850707 11850708</p>
 <p><i>Left hand bumper shown. L indicates LH, R indicates RH</i></p>	<p>WOCD Field Applied and Replacement Kit, Complete Ultimate Double Hung G2</p> <p><i>Includes:</i> 2 – WOCD Assembly 4 – #8 x 1" Phillips flat head screw, full thread 1 – WOCD Safety Information 1 – WOCD Field applied instructions 1 – WOCD Hang tag 1 – WOCD Sticker 1 – WOCD Bumper, RH, bottom check rail 1 – WOCD Bumper, LH, bottom check rail</p>	<p>White Beige Black</p>	<p>Satin Taupe White Bronze Brass Antique Brass Polished Chrome Satin Chrome Oil Rubbed Bronze Satin Nickel Matte Black Satin Taupe White Bronze Brass Antique Brass Polished Chrome Satin Chrome Oil Rubbed Bronze Satin Nickel Matte Black Satin Taupe White Bronze Brass Antique Brass Polished Chrome Satin Chrome Oil Rubbed Bronze Satin Nickel Matte Black</p>	<p>11851530 11851531 11851532 11851533 11851534 11851535 11851536 11851537 11851538 11851539 11851540 11851541 11851542 11851543 11851544 11851545 11851546 11851547 11851548 11851549 11851550 11851551 11851552 11851553 11851554 11851555 11851556 11851557 11851558 11851559</p>

When ordering replacement weather strip specify:

1. Original order number;
2. quantity;
3. part number;
4. description.

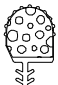

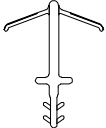
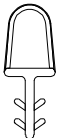

ILLUSTRATION <i>NOT TO SCALE</i>	DESCRIPTION	COLOR	PART NUMBER
	<p>Jamb Weather Strip V2682 Ultimate Double Hung G2 Ultimate Double Hung Disc LA Pre 4/24/2017</p> <p><i>Rectangle Operators, Picture, Transom, and Round Top Picture/Transom units</i></p> <p><i>Lineal 96" (2438)</i></p>	<p>Lineal White Beige Black</p>	<p>15262896 15363096 15262996</p>
	<p>Head Jamb Weather Strip V2786 Ultimate Double Hung G2 Ultimate Double Hung Disc LA Pre 4/24/2017</p> <p><i>Round Top Operator, Picture and Transom units</i></p> <p>For units produced after 4/3/2017 <i>Lineal 120" (3048)</i></p> <p>Replaces V2419 Head Jamb Weather Strip</p>	<p>Lineal White Beige Black</p>	<p>15711494 15711495 15711496</p>
	<p>Head Jamb Weather Strip V2783 Ultimate Double Hung G2 Ultimate Double Hung Disc LA Pre 4/24/2017</p> <p><i>Rectangle Operator units</i></p> <p><i>Lineal 65" (1651)</i></p> <p>Replaces V2392 Head Jamb Weather Strip</p>	<p>Lineal White Beige Black</p>	<p>15370465 15370565 15370665</p>
	<p>Check Rail Weather Strip V2803 Ultimate Double Hung G2 Ultimate Double Hung Disc LA Pre 4/24/2017</p> <p><i>Rectangle and Round Top Operator units</i></p> <p><i>Lineal 65" (1651)</i></p> <p>Replaces V113 Check Rail Weather Strip</p>	<p>Lineal White Beige Black</p>	<p>15816165 15816265 15816365</p>

ILLUSTRATION <i>NOT TO SCALE</i>	DESCRIPTION	COLOR	PART NUMBER
	<p>Weather Strip V2779 Ultimate Double Hung G2 Ultimate Double Hung Disc LA Pre 4/24/2017</p> <p><i>All Rectangle and Round Top Operator/Stationary units</i></p> <p><i>Lineal</i> Replaces V147 Weather Strip</p>	<p>65" (1651) Black</p>	<p>15362965</p>
	<p>120" (3048) Black</p>	<p>15362995</p>	

NOTE: All vinyl jamb liners are interchangeable between Ultimate Double Hung G1 DISC LA PRE 4/24/17 and Ultimate Double Hung G2

NOTE: For units with retractable screens subtract 2" from Finish Overall height for the interior pieces

TO ORDER:

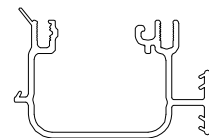
To order replacement Jamb liner

1. Provide the original order number when possible.
2. Specify color
3. Specify quantity.
4. Glass height one sash (daylight opening + 1.25 for the height= glass height)
5. Measure both sash if they are not equal size

If experiencing operational difficulties please contact your Marvin Representative.

Standard size CN units may be ordered by part number from the chart below.

Standard Unit				
Call Number	Beige Part Number	White Part Number	Black Part Number	Finish Overall
14	15369214	15369314	15369414	32.512
16	15369216	15369316	15369416	36.512
18	15369218	15369318	15369418	40.512
20	15369220	15369320	15369420	44.512
22	15369222	15369322	15369422	48.512
24	15369224	15369324	15369424	52.512
26	15369226	15369326	15369426	56.512
28	15369228	15369328	15369428	60.512
30	15369230	15369330	15369430	64.512
32	15369232	15369332	15369432	68.512
34	15369234	15369334	15369434	72.512
36	15369236	15369336	15369436	76.512
40	15369240	15369340	15369440	84.512
44	15369244	15369344	15369444	92.512
48	15369248	15369348	15369448	100.512
56	15369256	15369356	15369456	116.512
lineal	15369299	15369399	15369499	130
Transom Unit				
Call Number	Beige Part Number			Finish Overall
12	15369512			16.7
20	15369520			24.7



V2655 – Vinyl Jamb Liner

NOTE: All Block and Tackle balance tubes are interchangeable between Ultimate Double Hung G1 DISC LA PRE 4/24/17 and Ultimate Double Hung G2

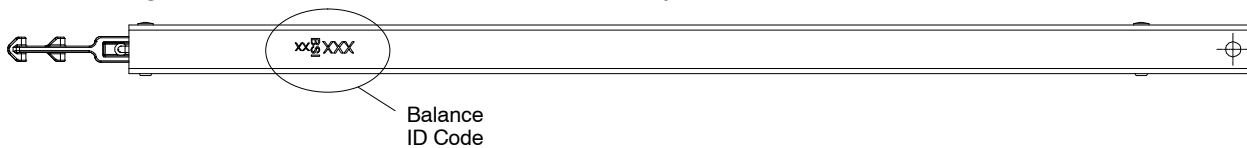
NOTE: **Before ordering replacement balance tubes, please contact Marvin Inside Sales or a Customer Care Service Agent to have the balances recalculated.**

**ULTIMATE DOUBLE HUNG
 TO ORDER:**

Block and Tackle balance tubes with ID Code can be ordered by part number (see chart below).

1. Provide the original order number when possible. The ID code is imprinted on the tube (see illustration below).
2. Specify top or bottom sash.
3. Specify quantity. Do **NOT** specify as pairs or sets. If one tube is needed, specify:quantity 1. If two tubes are needed, specify:quantity 2.

If experiencing operational difficulties please contact your Marvin Representative.



Balance Tube Assembly Part Numbers – Block and Tackle – Post 4/30/2018											
Balance ID Code	Part #	Balance ID Code	Part #	Balance ID Code	Part #	Balance ID Code	Part #	Balance ID Code	Part #	Balance ID Code	Part #
A		AN		B		BN		C		CN	
8A	10705008	8AN		8B	10705108	8BN		8C	10705208	8CN	
12A	10705012	12AN		12B	10705112	12BN		12C	10705212	12CN	
16A		16AN	10709016	16B	10705116	16BN		16C	10705216	16CN	
20A	10705020	20AN		20B		20BN	10709120	20C		20CN	10711220
24A	10705024	24AN		24B	10705124	24BN		24C	10705224	24CN	10711224
28A		28AN	10709028	28B	10705128	28BN		28C		28CN	10711228
32A		32AN	10709032	32B	10705132	32BN		32C	10710232	32CN	
36A	10705036	36AN	10709036	36B	10705136	36BN	10709136	36C	10705236	36CN	
40A		40AN	10709040	40B		40BN	10709140	40C		40CN	
44A	10705044	44AN		44B		44BN	10709144	44C	10705244	44CN	
48A		48AN	10709048	48B	10705148	48BN	10709148	48C		48CN	
52A	10705052	52AN		52B	10705152	52BN		52C	10705252	52CN	
54A		54AN		54B	10705154	54BN		54C	10705254	54CN	

Balance Tube Assembly Part Numbers – Block and Tackle – Post 4/30/2018											
Balance ID Code	Part #	Balance ID Code	Part #	Balance ID Code	Part #	Balance ID Code	Part #	Balance ID Code	Part #	Balance ID Code	Part #
D		DD		DN		DR		E		ED	
8D		8DD		8DN		8DR		8E	10705408	8ED	
12D		12DD		12DN		12DR		12E	10705412	12ED	
16D	10710316	16DD		16DN		16DR		16E	10705416	16ED	10711416
20D	10710320	20DD		20DN		20DR		20E	10710420	20ED	10711420
24D		24DD		24DN		24DR	10711524	24E	10710424	24ED	
28D		28DD	10711628	28DN	10711328	28DR		28E		28ED	
32D	10710332	32DD		32DN		32DR		32E		32ED	
36D		36DD		36DN		36DR		36E		36ED	
40D	10710340	40DD		40DN		40DR		40E	10710440	40ED	
44D	10710344	44DD		44DN		44DR		44E		44ED	
48D	10710348	48DD		48DN		48DR		48E	10710448	48ED	
52D	10705352	52DD		52DN		52DR		52E		52ED	
54D		54DD		54DN		54DR		54E		54ED	

NOTE: All Block and Tackle balance tubes are interchangeable between Ultimate Double Hung G1 DISC LA PRE 4/24/17 and Ultimate Double Hung G2

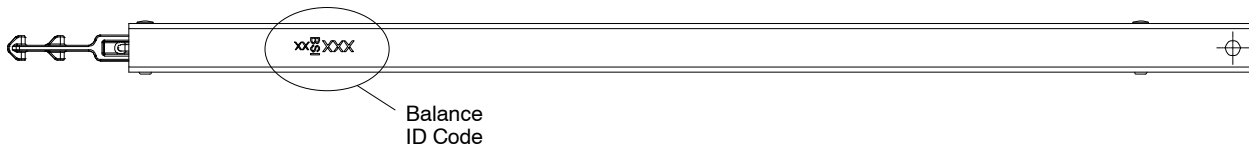
*NOTE: **Before ordering replacement balance tubes, please contact Marvin Inside Sales or a Customer Care Service Agent to have the balances recalculated.***

**ULTIMATE DOUBLE HUNG
 TO ORDER:**

Block and Tackle balance tubes with ID Code can be ordered by part number (see chart below).

1. Provide the original order number when possible. The ID code is imprinted on the tube (see illustration below).
2. Specify top or bottom sash.
3. Specify quantity. Do **NOT** specify as pairs or sets. If one tube is needed, specify:quantity 1. If two tubes are needed, specify:quantity 2.

If experiencing operational difficulties please contact your Marvin Representative.



Balance Tube Assembly Part Numbers – Block and Tackle – Post 4/30/2018											
Balance ID Code	Part #	Balance ID Code	Part #	Balance ID Code	Part #	Balance ID Code	Part #	Balance ID Code	Part #	Balance ID Code	Part #
EN		F		FNU		G		H		I	
8EN		8F		8FNU		8G		8H		8I	
12EN		12F		12FNU	10709512	12G		12H		12I	
16EN		16F		16FNU		16G	10705616	16H		16I	
20EN		20F		20FNU		20G		20H	10705720	20I	
24EN		24F		24FNU		24G	10710624	24H		24I	
28EN		28F	10710528	28FNU		28G		28H		28I	
32EN		32F		32FNU		32G	10705632	32H		32I	
36EN		36F	10705536	36FNU		36G		36H		36I	
40EN		48F		40FNU		40G		40H		40I	
44EN		44F		44FNU		44G		44H		44I	
48EN		48F		48FNU		48G		48H		48I	
52EN		52F		52FNU		52G		52H		52I	
54EN		54F		54FNU		54G		54H		54I	

NOTE: All spiral balance tubes are interchangeable between Ultimate Double Hung G1 DISC LA PRE 4/24/17 and Ultimate Double Hung G2

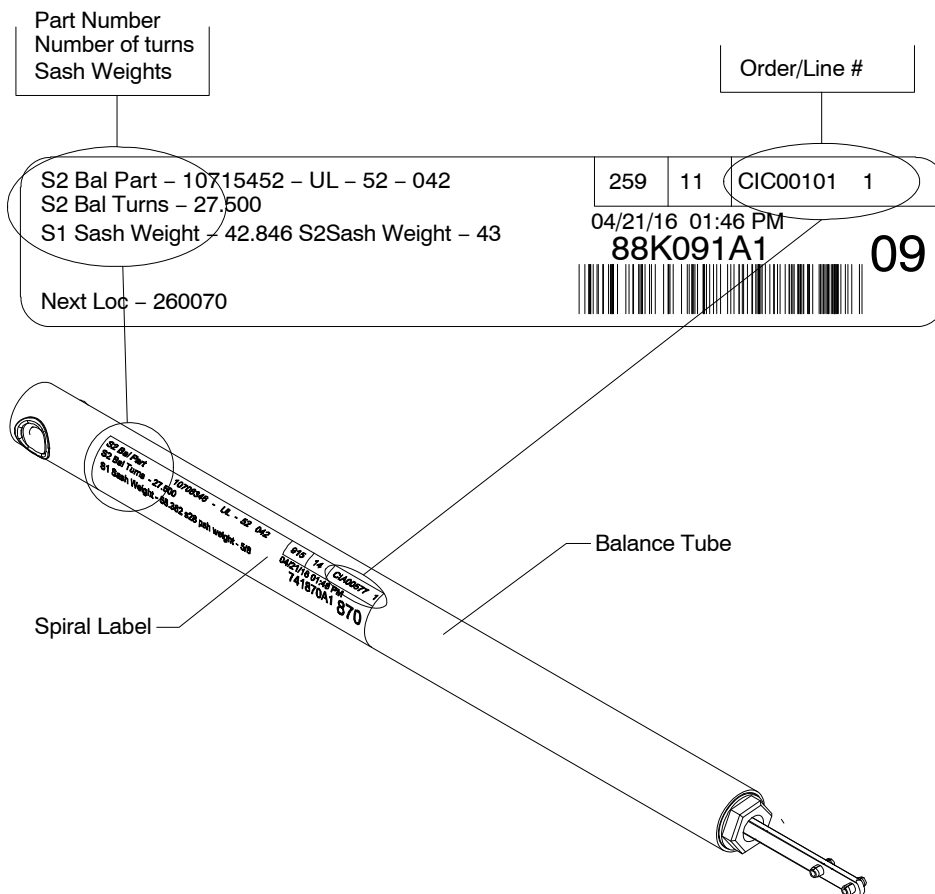
NOTE: *Before ordering replacement balance tubes, please contact Marvin Inside Sales or a Customer Care Service Agent to have the balances recalculated.*

ULTIMATE DOUBLE HUNG TO ORDER:

Spiral balance tubes can be ordered with the information that comes on the label adhered to the balance tube: Sales order line number, Marvin part number, and number of turns.

If the label is missing, follow instructions below to order your Spiral balance tube.

1. Provide the original order number when possible (note if it's top or bottom sash).
2. Balance type and Balance ID code, they are imprinted on balance tube (see illustration below).
3. Weight of sash.
4. Specify top or bottom sash.
5. Specify quantity. Do **NOT** specify as pairs or sets. If one tube is needed, specify:quantity 1. If two tubes are needed, specify:quantity 2.



NOTE: All spiral balance tubes are interchangeable between Ultimate Double Hung G1 DISC LA PRE 4/24/17 and Ultimate Double Hung G2

NOTE: Before ordering replacement balance tubes, please contact Marvin Inside Sales or a Customer Care Service Agent to have the balances recalculated.

**ULTIMATE DOUBLE HUNG
 UL SERIES**

Part Number	Balance ID Code	Length (in)	Part Number	Balance ID Code	Length (in)	Part Number	Balance ID Code	Length (in)
UL Series								
10715008	8-24	8	10715614	14-51	14	10715718	18-56	18
10715108	8-28	8	10715014	14-24	14	10715818	18-61	18
10715208	8-32	8	10715114	14-28	14	10715918	18-66	18
10715009	9-24	9	10715214	14-32	14	10715018	18-24	18
10715109	9-28	9	10715315	15-37	15	10715118	18-28	18
10715209	9-32	9	10715415	15-42	15	10715218	18-32	18
10715309	9-37	9	10715515	15-47	15	10715318	18-37	18
10715310	10-37	10	10715615	15-51	15	10715419	19-42	19
10715410	10-42	10	10715715	15-56	15	10715519	19-47	19
10715010	10-24	10	10715015	15-24	15	10715619	19-51	19
10715110	10-28	10	10715115	15-28	15	10715719	19-56	19
10715210	10-32	10	10715215	15-32	15	10715819	19-61	19
10715311	11-37	11	10715416	16-42	16	10715919	19-66	19
10715411	11-42	11	10715516	16-47	16	10715019	19-24	19
10715011	11-24	11	10715616	16-51	16	10715119	19-28	19
10715111	11-28	11	10715716	16-56	16	10715219	19-32	19
10715211	11-32	11	10715816	16-61	16	10715319	19-37	19
10715312	12-37	12	10715016	16-24	16	10715420	20-42	20
10715412	12-42	12	10715116	16-28	16	10715520	20-47	20
10715512	12-47	12	10715216	16-32	16	10715620	20-51	20
10715612	12-51	12	10715316	16-37	16	10715720	20-56	20
10715012	12-24	12	10715417	17-42	17	10715820	20-61	20
10715112	12-28	12	10715517	17-47	17	10715920	20-66	20
10715212	12-32	12	10715617	17-51	17	10716020	20-71	20
10715313	13-37	13	10715717	17-56	17	10715020	20-24	20
10715413	13-42	13	10715817	17-61	17	10715120	20-28	20
10715513	13-47	13	10715917	17-66	17	10715220	20-32	20
10715613	13-51	13	10715017	17-24	17	10715320	20-37	20
10715013	13-24	13	10715117	17-28	17	10706721	21-61	21
10715113	13-28	13	10715217	17-32	17	10706821	21-66	21
10715213	13-32	13	10715317	17-37	17	10706722	22-61	22
10715314	14-37	14	10715418	18-42	18	10706723	23-61	23
10715414	14-42	14	10715518	18-47	18	10706724	24-61	24
10715514	14-47	14	10715618	18-51	18	10706725	25-61	25

NOTE: All spiral balance tubes are interchangeable between Ultimate Double Hung G1 DISC LA PRE 4/24/17 and Ultimate Double Hung G2

NOTE: **Before ordering replacement balance tubes, please contact Marvin Inside Sales or a Customer Care Service Agent to have the balances recalculated.**

**ULTIMATE DOUBLE HUNG
 UL SERIES**

Part Number	Balance ID Code	Length (in)	Part Number	Balance ID Code	Length (in)	Part Number	Balance ID Code	Length (in)
UL Series								
10706726	26-61	26	10706760	60-61	60	10706854	54-66	54
10706727	27-61	27	10706821	21-66	21	10706855	55-66	55
10706728	28-61	28	10706822	22-66	22	10706856	56-66	56
10706729	29-61	29	10706823	23-66	23	10706857	57-66	57
10706730	30-61	30	10706824	24-66	24	10706858	58-66	58
10706731	31-61	31	10706825	25-66	25	10706859	59-66	59
10706732	32-61	32	10706826	26-66	26	10706860	60-66	60
10706733	33-61	33	10706827	27-66	27	10706921	21-71	21
10706734	34-61	34	10706828	28-66	28	10706922	22-71	22
10706735	35-61	35	10706829	29-66	29	10706923	23-71	23
10706736	36-61	36	10706830	30-66	30	10706924	24-71	24
10706737	37-61	37	10706831	31-66	31	10706925	25-71	25
10706738	38-61	38	10706832	32-66	32	10706926	26-71	26
10706739	39-61	39	10706833	33-66	33	10706927	27-71	27
10706740	40-61	40	10706834	34-66	34	10706928	28-71	28
10706741	41-61	41	10706835	35-66	35	10706929	29-71	29
10706742	42-61	42	10706836	36-66	36	10706930	30-71	30
10706743	43-61	43	10706837	37-66	37	10706931	31-71	31
10706744	44-61	44	10706838	38-66	38	10706932	32-71	32
10706745	45-61	45	10706839	39-66	39	10706933	33-71	33
10706746	46-61	46	10706840	40-66	40	10706934	34-71	34
10706747	47-61	47	10706841	41-66	41	10706935	35-71	35
10706748	48-61	48	10706842	42-66	42	10706936	36-71	36
10706749	49-61	49	10706843	43-66	43	10706937	37-71	37
10706750	50-61	50	10706844	44-66	44	10706938	38-71	38
10706751	51-61	51	10706845	45-66	45	10706939	39-71	39
10706752	52-61	52	10706846	46-66	46	10706940	40-71	40
10706753	53-61	53	10706847	47-66	47	10706941	41-71	41
10706754	54-61	54	10706848	48-66	48	10706942	42-71	42
10706755	55-61	55	10706849	49-66	49	10706943	43-71	43
10706756	56-61	56	10706850	50-66	50	10706944	44-71	44
10706757	57-61	57	10706851	51-66	51	10706945	45-71	45
10706758	58-61	58	10706852	52-66	52	10706946	46-71	46
10706759	59-61	59	10706853	53-66	53	10706947	47-71	47

NOTE: All spiral balance tubes are interchangeable between Ultimate Double Hung G1 DISC LA PRE 4/24/17 and Ultimate Double Hung G2

NOTE: **Before ordering replacement balance tubes, please contact Marvin Inside Sales or a Customer Care Service Agent to have the balances recalculated.**

ULTIMATE DOUBLE HUNG

UL Series

Part Number	Balance ID Code	Length (in)	Part Number	Balance ID Code	Length (in)	Part Number	Balance ID Code	Length (in)
UL Series								
10706948	48-71	48	10707044	44-78	44	10708339	39-56	39
10706949	49-71	49	10707045	45-78	45	10708340	40-56	40
10706950	50-71	50	10707046	46-78	46	10708341	41-56	41
10706951	51-71	51	10707047	47-78	47	10708342	42-56	42
10706952	52-71	52	10707048	48-78	48	10708343	43-56	43
10706953	53-71	53	10707049	49-78	49	10708344	44-56	44
10706954	54-71	54	10707050	50-78	50	10708345	45-56	45
10706955	55-71	55	10707051	51-78	51	10708346	46-56	46
10706956	56-71	56	10707052	52-78	52	10708347	47-56	47
10706957	57-71	57	10707053	53-78	53	10708348	48-56	48
10706958	58-71	58	10707054	54-78	54	10708349	49-56	49
10706959	59-71	59	10707055	55-78	55	10708350	50-56	50
10706960	60-71	60	10707056	56-78	56	10708351	51-56	51
10707022	22-78	22	10707057	57-78	57	10708352	52-56	52
10707023	23-78	23	10707058	58-78	58	10708353	53-56	53
10707024	24-78	24	10707059	59-78	59	10708354	54-56	54
10707025	25-78	25	10707060	60-78	60	10708355	55-56	55
10707026	26-78	26	10708321	21-56	21	10708356	56-56	56
10707027	27-78	27	10708322	22-56	22	10708357	57-56	57
10707028	28-78	28	10708323	23-56	23	10708358	58-56	58
10707029	29-78	29	10708324	24-56	24	10708359	59-56	59
10707030	30-78	30	10708325	25-56	25	10708360	60-56	60
10707031	31-78	31	10708326	26-56	26	10715008	8-24	8
10707032	32-78	32	10708327	27-56	27	10715009	9-24	9
10707033	33-78	33	10708328	28-56	28	10715108	8-28	8
10707034	34-78	34	10708329	29-56	29	10715109	9-28	9
10707035	35-78	35	10708330	30-56	30	10715208	8-32	8
10707036	36-78	36	10708331	31-56	31	10715209	9-32	9
10707037	37-78	37	10708332	32-56	32	10715309	9-37	9
10707038	38-78	38	10708333	33-56	33	10715310	10-37	10
10707039	39-78	39	10708334	34-56	34	10715311	11-37	11
10707040	40-78	40	10708335	35-56	35	10715312	12-37	12
10707041	41-78	41	10708336	36-56	36	10715313	13-37	13
10707042	42-78	42	10708337	37-56	37	10715314	14-37	14
10707043	43-78	43	10708338	38-56	38	10715315	15-37	15

NOTE: All spiral balance tubes are interchangeable between Ultimate Double Hung G1 DISC LA PRE 4/24/17 and Ultimate Double Hung G2

NOTE: Before ordering replacement balance tubes, please contact Marvin Inside Sales or a Customer Care Service Agent to have the balances recalculated.

ULTIMATE DOUBLE HUNG

UL Series

Part Number	Balance ID Code	Length (in)	Part Number	Balance ID Code	Length (in)	Part Number	Balance ID Code	Length (in)
UL Series								
10715410	10-42	10	10715444	44-42	44	10715529	29-47	29
10715411	11-42	11	10715445	45-42	45	10715530	30-47	30
10715412	12-42	12	10715446	46-42	46	10715531	31-47	31
10715413	13-42	13	10715447	47-42	47	10715532	32-47	32
10715414	14-42	14	10715448	48-42	48	10715533	33-47	33
10715415	15-42	15	10715449	49-42	49	10715534	34-47	34
10715416	16-42	16	10715450	50-42	50	10715535	35-47	35
10715417	17-42	17	10715451	51-42	51	10715536	36-47	36
10715418	18-42	18	10715452	52-42	52	10715537	37-47	37
10715419	19-42	19	10715453	53-42	53	10715538	38-47	38
10715420	20-42	20	10715454	54-42	54	10715539	39-47	39
10715421	21-42	21	10715455	55-42	55	10715540	40-47	40
10715422	22-42	22	10715456	56-42	56	10715541	41-47	41
10715423	23-42	23	10715457	57-42	57	10715542	42-47	42
10715424	24-42	24	10715458	58-42	58	10715543	43-47	43
10715425	25-42	25	10715459	59-42	59	10715544	44-47	44
10715426	26-42	26	10715460	60-42	60	10715545	45-47	45
10715427	27-42	27	10715512	12-47	12	10715546	46-47	46
10715428	28-42	28	10715513	13-47	13	10715547	47-47	47
10715429	29-42	29	10715514	14-47	14	10715548	48-47	48
10715430	30-42	30	10715515	15-47	15	10715549	49-47	49
10715431	31-42	31	10715516	16-47	16	10715550	50-47	50
10715432	32-42	32	10715517	17-47	17	10715551	51-47	51
10715433	33-42	33	10715518	18-47	18	10715552	52-47	52
10715434	34-42	34	10715519	19-47	19	10715553	53-47	53
10715435	35-42	35	10715520	20-47	20	10715554	54-47	54
10715436	36-42	36	10715521	21-47	21	10715555	55-47	55
10715437	37-42	37	10715522	22-47	22	10715556	56-47	56
10715438	38-42	38	10715523	23-47	23	10715557	57-47	57
10715439	39-42	39	10715524	24-47	24	10715558	58-47	58
10715440	40-42	40	10715525	25-47	25	10715559	59-47	59
10715441	41-42	41	10715526	26-47	26	10715560	60-47	60
10715442	42-42	42	10715527	27-47	27	10715612	12-51	12
10715443	43-42	43	10715528	28-47	28	10715613	13-51	13

NOTE: All spiral balance tubes are interchangeable between Ultimate Double Hung G1 DISC LA PRE 4/24/17 and Ultimate Double Hung G2

NOTE: Before ordering replacement balance tubes, please contact Marvin Inside Sales or a Customer Care Service Agent to have the balances recalculated.

ULTIMATE DOUBLE HUNG

UL Series

Part Number	Balance ID Code	Length (in)	Part Number	Balance ID Code	Length (in)
UL Series					
10715614	14-51	14	10715646	46-51	46
10715615	15-51	15	10715647	47-51	47
10715616	16-51	16	10715648	48-51	48
10715617	17-51	17	10715649	49-51	49
10715618	18-51	18	10715650	50-51	50
10715619	19-51	19	10715651	51-51	51
10715620	20-51	20	10715652	52-51	52
10715621	21-51	21	10715653	53-51	53
10715622	22-51	22	10715654	54-51	54
10715623	23-51	23	10715655	55-51	55
10715624	24-51	24	10715656	56-51	56
10715625	25-51	25	10715657	57-51	57
10715626	26-51	26	10715658	58-51	58
10715627	27-51	27	10715659	59-51	59
10715628	28-51	28	10715660	60-51	60
10715629	29-51	29	10715715	15-56	15
10715630	30-51	30	10715716	16-56	16
10715631	31-51	31	10715717	17-56	17
10715632	32-51	32	10715718	18-56	18
10715633	33-51	33	10715719	19-56	19
10715634	34-51	34	10715720	20-56	20
10715635	35-51	35	10715816	16-61	16
10715636	36-51	36	10715817	17-61	17
10715637	37-51	37	10715818	18-61	18
10715638	38-51	38	10715819	19-61	19
10715639	39-51	39	10715820	20-61	20
10715640	40-51	40	10715917	17-66	17
10715641	41-51	41	10715918	18-66	18
10715642	42-51	42	10715919	19-66	19
10715643	43-51	43	10715920	20-66	20
10715644	44-51	44	10716020	20-71	20
10715645	45-51	45			

NOTE: All spiral balance tubes are interchangeable between Ultimate Double Hung G1 DISC LA PRE 4/24/17 and Ultimate Double Hung G2

NOTE: Before ordering replacement balance tubes, please contact Marvin Inside Sales or a Customer Care Service Agent to have the balances recalculated.

ULTIMATE DOUBLE HUNG

ULX Series

Part Number	Balance ID Code	Length (in)	Part Number	Balance ID Code	Length (in)	Part Number	Balance ID Code	Length (in)
ULX Series								
10716129	29-84	29	10716231	31-94	31	10707334	34-105	34
10716130	30-84	30	10716232	32-94	32	10707335	35-105	35
10716131	31-84	31	10707233	33-94	33	10707336	36-105	36
10716132	32-84	32	10707234	34-94	34	10707337	37-105	37
10707133	33-84	33	10707235	35-94	35	10707338	38-105	38
10707134	34-84	34	10707236	36-94	36	10707339	39-105	39
10707135	35-84	35	10707237	37-94	37	10707340	40-105	40
10707136	36-84	36	10707238	38-94	38	10707341	41-105	41
10707137	37-84	37	10707239	39-94	39	10707342	42-105	42
10707138	38-84	38	10707240	40-94	40	10707343	43-105	43
10707139	39-84	39	10707241	41-94	41	10707344	44-105	44
10707140	40-84	40	10707242	42-94	42	10707345	45-105	45
10707141	41-84	41	10707243	43-94	43	10707346	46-105	46
10707142	42-84	42	10707244	44-94	44	10707347	47-105	47
10707143	43-84	43	10707245	45-94	45	10707348	48-105	48
10707144	44-84	44	10707246	46-94	46	10707349	49-105	49
10707145	45-84	45	10707247	47-94	47	10707350	50-105	50
10707146	46-84	46	10707248	48-94	48	10707351	51-105	51
10707147	47-84	47	10707249	49-94	49	10707352	52-105	52
10707148	48-84	48	10707250	50-94	50	10707353	53-105	53
10707149	49-84	49	10707251	51-94	51	10707354	54-105	54
10707150	50-84	50	10707252	52-94	52	10707355	55-105	55
10707151	51-84	51	10707253	53-94	53	10707356	56-105	56
10707152	52-84	52	10707254	54-94	54	10707357	57-105	57
10707153	53-84	53	10707255	55-94	55	10707358	58-105	58
10707154	54-84	54	10707256	56-94	56	10707359	59-105	59
10707155	55-84	55	10707257	57-94	57	10707360	60-105	60
10707156	56-84	56	10707258	58-94	58	10716430	30-117	30
10707157	57-84	57	10707259	59-94	59	10716431	31-117	31
10707158	58-84	58	10707260	60-94	60	10716432	32-117	32
10707159	59-84	59	10716330	30-105	30	10707433	33-117	33
10707160	60-84	60	10716331	31-105	31	10707434	34-117	34
10716229	29-94	29	10716332	32-105	32	10707435	35-117	35
10716230	30-94	30	10707333	33-105	33	10707436	36-117	36

NOTE: All spiral balance tubes are interchangeable between Ultimate Double Hung G1 DISC LA PRE 4/24/17 and Ultimate Double Hung G2

NOTE: Before ordering replacement balance tubes, please contact Marvin Inside Sales or a Customer Care Service Agent to have the balances recalculated.

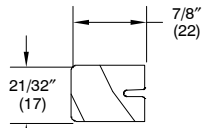
**ULTIMATE DOUBLE HUNG
 ULX Series**

Part Number	Balance ID Code	Length (in)	Part Number	Balance ID Code	Length (in)	Part Number	Balance ID Code	Length (in)
ULX Series								
10707437	37-117	37	10716530	30-128	30	10707554	54-128	54
10707438	38-117	38	10716531	31-128	31	10707555	55-128	55
10707439	39-117	39	10716532	32-128	32	10707556	56-128	56
10707440	40-117	40	10707533	33-128	33	10707557	57-128	57
10707441	41-117	41	10707534	34-128	34	10707558	58-128	58
10707442	42-117	42	10707535	35-128	35	10707559	59-128	59
10707443	43-117	43	10707536	36-128	36	10707560	60-128	60
10707444	44-117	44	10707537	37-128	37	10716129	29-84	29
10707445	45-117	45	10707538	38-128	38	10716130	30-84	30
10707446	46-117	46	10707539	39-128	39	10716131	31-84	31
10707447	47-117	47	10707540	40-128	40	10716132	32-84	32
10707448	48-117	48	10707541	41-128	41	10716229	29-94	29
10707449	49-117	49	10707542	42-128	42	10716230	30-94	30
10707450	50-117	50	10707543	43-128	43	10716231	31-94	31
10707451	51-117	51	10707544	44-128	44	10716232	32-94	32
10707452	52-117	52	10707545	45-128	45	10716330	30-105	30
10707453	53-117	53	10707546	46-128	46	10716331	31-105	31
10707454	54-117	54	10707547	47-128	47	10716332	32-105	32
10707455	55-117	55	10707548	48-128	48	10716430	30-117	30
10707456	56-117	56	10707549	49-128	49	10716431	31-117	31
10707457	57-117	57	10707550	50-128	50	10716432	32-117	32
10707458	58-117	58	10707551	51-128	51	10716530	30-128	30
10707459	59-117	59	10707552	52-128	52	10716531	31-128	31
10707460	60-117	60	10707553	53-128	53	10716532	32-128	32

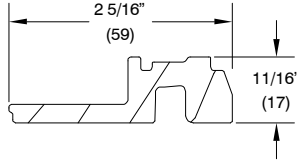
NOTE: All wood parts shown are interchangeable between Ultimate Double Hung G1 DISC LA PRE 4/24/17 and Ultimate Double Hung G2

ULTIMATE DOUBLE HUNG TO ORDER:

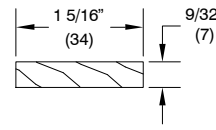
1. length;



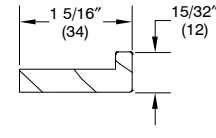
W11578 - Parting Stop



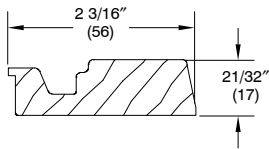
W11581 - Interior Jamb Cover



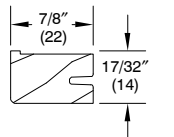
W11576 - Sill Liner



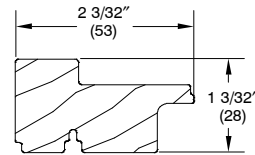
W11825 - Sill Liner



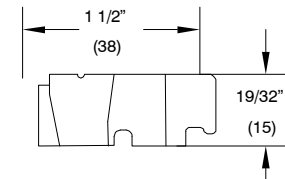
W12061 - Sill Filler



W12407 - Head Jamb/Jamb Stop

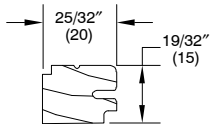


W11906 - Interior Cover

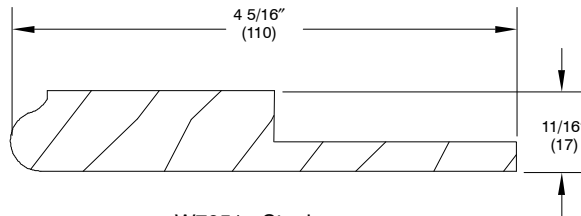


W12679 - Jamb Liner

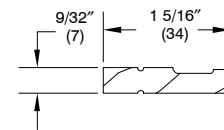
NOTE: Any picture units
Pre 1/05/2015 will require
all 3 stops to be replaced.



W12691 - Jamb Liner

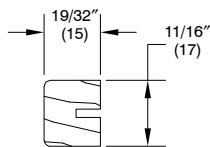


W7051 - Stool -
Field Applied

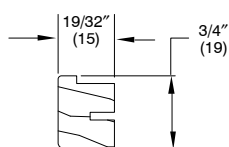


W12392 - Sill Liner

ULTIMATE DOUBLE HUNG ROUND TOP



W12224 - Stop.
Head Jamb, Radius



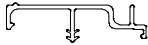
W12851 - Stop.
Head Jamb, Radius

NOTE: All vinyl parts are interchangeable between Ultimate Double Hung G1 DISC LA PRE 4/24/17 and Ultimate Double Hung G2

TO ORDER:

1. Original order number
2. profile number;
3. call number or rough opening;
4. length;
5. clad color.

Default Exterior Vinyl Component Colors	
Exterior Clad Color	Component Color
Stone White, Bright Silver	White
Pebble Grey, Bahama Brown, Evergreen, Hampton Sage, Sierra White, Coconut Cream, Cashmere, Wineberry, Cascade Blue	Beige
Bronze, Ebony, Cadet Grey, Copper, Clay, Gunmetal, Liberty Bronze, Suede	Black

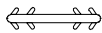


V2338 – Exterior Hardware Cover



V2478– Bottom Check Rail Exterior Hardware Cover

Default Interior Vinyl Component Colors	
Factory Interior Finish	Component Color
Prime Interior Pigmented Top Coat (PIF)	White
Bare: Pine, White Oak, Cherry, Douglas Fir Interior Clear Top Coat: same as Bare Interior Stain: Wheat, Honey	Beige
Bare: Mahogany, Walnut Interior Clear Top Coat: same as Bare Interior Stain: Hazelnut, Leather, Cabernet, Espresso	Black



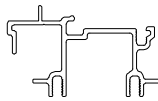
V803 – Connecting Barb



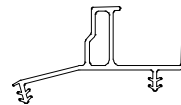
V2573 Vinyl Spacer



V2257 – Top Sash Limiter



V2432* – Mid Exterior Cover Base

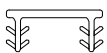


V2191 – Sill Thermal Break/Liner*

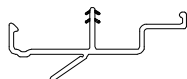
* V2432 – If the original unit had performance bracket then a secondary fabrication is needed to accommodate the brackets.

* On Custom Color Clad, Sill Thermal Break color will match the exterior weather strip package color selected.

ULTIMATE DOUBLE HUNG ROUND TOP



V2401– Sash Connector



V2509 – Sash Retainer Cover

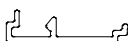
NOTE: All aluminum parts are interchangeable between Ultimate Double Hung G1 DISC LA PRE 4/24/17 and Ultimate Double Hung G2

**ULTIMATE DOUBLE HUNG
 TO ORDER:**

1. Original order number
2. profile number;
3. call number or rough opening;
4. length;
5. clad color.



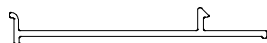
A2615 – Exterior Jamb Cover



A2460 – Mid Exterior Jamb Cover



A2766 – Sill Reinforcement, IZ3



A2700 – Exterior Cover



A3077 – Exterior Head Jamb or Jamb Cover

Default Exterior Vinyl Component Colors	
Exterior Clad Color	Component Color
Stone White, Bright Silver	White
Pebble Grey, Bahama Brown, Evergreen, Hampton Sage, Sierra White, Coconut Cream, Cashmere, Wineberry, Cascade Blue	Beige
Bronze, Ebony, Cadet Grey, Copper, Clay, Gunmetal, Liberty Bronze, Suede	Black

Default Interior Vinyl Component Colors	
Factory Interior Finish	Component Color
Prime Interior Pigmented Top Coat (PIF)	White
Bare: Pine, White Oak, Cherry, Douglas Fir Interior Clear Top Coat: same as Bare Interior Stain: Wheat, Honey	Beige
Bare: Mahogany, Walnut Interior Clear Top Coat: same as Bare Interior Stain: Hazelnut, Leather, Cabernet, Espresso	Black

**ORDERING REPLACEMENT FULL SCREENS FOR:
ULTIMATE DOUBLE/SINGLE HUNG G2
ULTIMATE DOUBLE/SINGLE HUNG G1 DISC LA PRE 4/2017**

Full screens are standard with aluminum surround and charcoal colored fiberglass 18 x 16 screen mesh. Aluminum mesh is available as an option in black, charcoal, bright aluminum or bright bronze. Determine the outside measurement of the existing screen and find the size that corresponds to the width and height indicated on the following charts. Insert units will use the conversions only, as they are all special sizes. Surrounds are available in bronze, stone white, brown, pebble gray and evergreen.

When ordering a replacement screen specify:

1. Original order number
2. size; – If there is no existing screen to obtain the OM of the screen, determine the size of the screen by using the conversions and chart below. The daylight opening is the measurement of the visible glass.
3. surround color;
4. mesh type (if other than standard).

Screen Sizes

**Daylight Opening of one sash (if equal height)
to OM of screen.**

Daylight Width + 4 41/64" = OM Width of Screen

Daylight Height x 2 + 8 1/4" = OM Height of
Screen

WIDTH		HEIGHT	
SIZE	OM-WIDTH	SIZE	OM-HEIGHT
CN 16	19 3/8"	CN 12	29 3/4"
CN 20	23 3/8"	CN 14	33 3/4"
CN 24	27 3/8"	CN 16	37 3/4"
CN 26	29 3/8"	CN 18	41 3/4"
CN 28	31 3/8"	CN 20	45 3/4"
CN 30	33 3/8"	CN 22	49 3/4"
CN 32	35 3/8"	CN 24	53 3/4"
CN 36	39 3/8"	CN 24/36	65 3/4"
CN 40	43 3/8"	CN 26	58 1/2"
		CN 28	61 3/4"
		CN 30	65 3/4"
		CN 32	69 3/4"
		CN 34	73 3/4"
		CN 36	77 3/4"
		CN 40	85 3/4"

**ORDERING REPLACEMENT HALF SCREENS FOR:
ULTIMATE DOUBLE/SINGLE HUNG G2
ULTIMATE DOUBLE/SINGLE HUNG G1 DISC LA PRE 4/2017**

Half screens are standard with aluminum surround and charcoal colored fiberglass 18 x 16 screen mesh. Aluminum mesh is available as an option in black, charcoal, bright aluminum, or bright bronze. Determine the outside measurement of the existing screen. Surrounds are available in bronze, stone white, brown, pebble gray and evergreen.

When ordering replacement screen specify:

1. size; – If there is no existing screen from which to obtain the OM of the screen, determine the size of the screen by using the conversions below. The daylight opening is the measurement of the visible glass.
2. color;
3. mesh type (if other than standard).

Daylight Opening to OM of Half Screen

Daylight Width + 4 41/64" = OM Width of Screen

Daylight Height + 5 7/16" = OM Height of Screen

**FULL AND HALF OPTIONAL MAGNUM SCREENS FOR:
ULTIMATE DOUBLE/SINGLE HUNG G2
ULTIMATE DOUBLE/SINGLE HUNG G1 DISC LA PRE 4/2017**

Full screens are standard with aluminum surround and Hi-Transparency fiberglass mesh. Aluminum mesh is available as an option in black, charcoal, bright aluminum or bright bronze. Determine the outside measurement of the existing screen. Surrounds are available in all standard and select colors.

When ordering a replacement screen specify:

1. size; – Obtain the OM of the screen, from the existing unit or determine the size of the screen by using the conversion charts below. The daylight opening is the measurement of the visible glass.
2. surround color;
3. mesh type (if other than standard).

NOTE: All screens feature plunger type mounting system.

MAGNUM SCREEN CONVERSIONS: Full and Half Screens:**Full Magnum Screen for
Ultimate Double Hung G1 DISC LA PRE 4/24/17
Ultimate Double Hung G2**

DLO of one sash (if equal height) to OM of screen.

DLO Width + 4 41/64" = OM Width of Screen

DLO Height x 2 + 8 1/4" = OM Height of Screen

**Half Magnum Screen for:
Ultimate Double Hung G1 DISC LA PRE 4/24/17
Ultimate Double Hung G2**

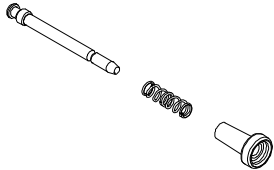
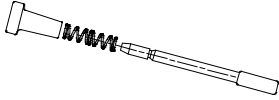
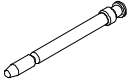




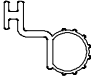
Daylight Opening to OM of Half Screen

Daylight Width + 4 41/64" = OM Width of Screen

Daylight Height + 5 45/64" = OM Height of Screen

NOTE: All screen parts are interchangeable between Ultimate Double Hung G1 DISC LA PRE 4/24/17 and Ultimate Double Hung G2

When ordering replacement parts specify part number and quantity.

ILLUSTRATION NOT TO SCALE	DESCRIPTION	COLOR	PART NO.
	Screen Plunger Kit – 3 Pc <i>Base Screen</i> <i>Includes:</i> 1 – Plunger Bolt (10500875) 1 – Plunger Spring (05070421) 1 – Plunger Cap, Black (05070308)		11851053
	Magnum Plunger and Spring Assembly <i>Extruded Screen</i> <i>Includes:</i> 1 – Plunger Bolt (05070309) 1 – Plunger Spring (05070421) 1 – Plunger Cap, Black (05070308)		10500706
	Screen Plunger Bolt <i>Base Screen</i>	Mill Finish	10500875
	Spring, Plunger		05070421
	Screen Plunger Cap	Black	05070308
	Screen Header Pin <i>Base Screen</i>		10500876
	Half Screen Check Rail Weather Strip <i>For standard screen</i> Sold by LF (specify length)	Gray	15221497
	Half Screen Weather Strip, Magnum V2113 <i>For extruded screen</i> Sold by LF (specify length)	Beige	15361399

**ORDERING REPLACEMENT COMBINATIONS AND/OR INSERTS FOR: ULTIMATE DOUBLE HUNG G2
ULTIMATE DOUBLE HUNG G1 DISC LA PRE 4/24/17**

Combination units are composed of two glass panels and a screen insert. One of the storm panels slides up for self storage when the screen is in use.

To order replacement combinations and/or inserts determine the outside measurement of the existing items or use the following conversions if none exists. Use the following charts based on daylight openings of the primary window sash (clad or wood ultimate double hung sash) to determine combination size and component sizes. Aluminum surround on combinations are available in bronze, stone white, brown, pebble gray and evergreen. Charcoal aluminum wire screen is standard. Fiberglass mesh screen is available as an option.

When ordering replacement combinations specify:

1. size; – If there is no existing combination to obtain the OM of the combination, use the conversion charts below. The daylight opening is the measurement of the double hung sash visible glass (provide measurements of both sash if unequal height).
2. color;
3. mesh type (if other than standard);
4. glass type.

Ultimate Double Hung G2
Ultimate Double Hung G1 DISC LA PRE 4/24/17

Daylight Opening to OM of Combination

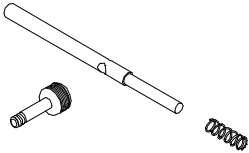

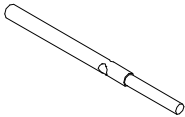


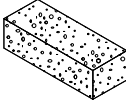
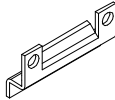
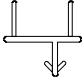
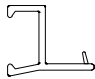
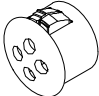

Daylight Width + 4 23/32" = OM Width of Combination
Daylight Height x 2+8 5/16" = OM Height of Combination

Width				
Call Number	Combination OM Width	Stationary Panel OM Width	Operator Panel OM Width	Screen OM Width
CN 16	19 29/64"	16 37/64"	16 37/64"	16 37/64"
CN 20	23 29/64"	20 37/64"	20 37/64"	20 37/64"
CN 24	27 29/64"	24 37/64"	24 37/64"	24 37/64"
CN 26	29 29/64"	26 37/64"	26 37/64"	26 37/64"
CN 28	31 29/64"	28 37/64"	28 37/64"	28 37/64"
CN 30	33 29/64"	30 37/64"	30 37/64"	30 37/64"
CN 32	35 29/64"	32 37/64"	32 37/64"	32 37/64"
CN 36	39 29/64"	36 37/64"	36 37/64"	36 37/64"
CN 40	43 29/64"	40 37/64"	40 37/64"	40 37/64"
Height				
Call Number	Combination OM Height	Stationary Panel OM Height	Operator Panel OM Height	Screen OM Height
CN 12	29 13/16"	13 59/64"	13 7/64"	13 7/64"
CN 14	33 13/16"	15 59/64"	15 7/64"	15 7/64"
CN 16	37 13/16"	17 59/64"	17 7/64"	17 7/64"
CN 18	41 13/16"	19 59/64"	19 7/64"	19 7/64"
CN 20	45 13/16"	21 59/64"	21 7/64"	21 7/64"
CN 22	49 13/16"	23 59/64"	23 7/64"	23 7/64"
CN 24	53 13/16"	25 59/64"	25 7/64"	25 7/64"
CN 24/36	65 13/16"	25 59/64"	37 7/64"	37 7/64"
CN 26	57 13/16"	27 59/64"	27 7/64"	27 7/64"
CN 28	61 13/16"	29 59/64"	29 7/64"	29 7/64"
CN 30	65 13/16"	31 59/64"	31 7/64"	31 7/64"
CN 32	69 13/16"	33 59/64"	33 7/64"	33 7/64"
CN 34	73 13/16"	35 59/64"	35 7/64"	35 7/64"
CN 36	77 13/16"	37 59/64"	37 7/64"	37 7/64"

NOTE: All combination parts are interchangeable between Ultimate Double Hung G1 DISC LA PRE 4/24/17 and Ultimate Double Hung G2

When ordering replacement parts specify:

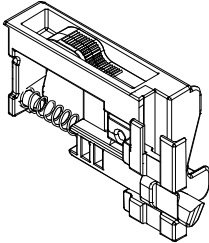
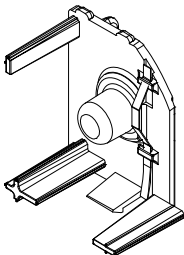
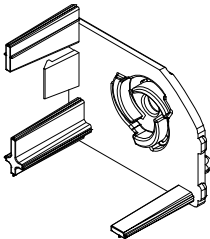
1. part number;
2. quantity.

ILLUSTRATION NOT TO SCALE	DESCRIPTION	OPERATION COLOR	PART NO.
	Knob, Bolt and Spring Assembly <i>Includes:</i> 2 – Aluminum knobs – 1/2" length 2 – Combination bolt and spring assemblies		11900515
	Knurl Knob For bolt and spring assembly <i>Includes:</i> 2 – Knobs – 1/2" length	Almond Stainless Steel	11101705 03050111
	Bolt For bolt and spring assembly	Almond Stainless Steel	11101700 03050112
	Turn Latch M062 Ultimate Wood only	LH RH	11860411 11860311
	Hook, Long <i>Includes:</i> 1 – Hook 2 – Rivets (01060758)	Mill Finish	11040100
	Pad, Hook, Top Rail M601 3/8"x1/2"x1 5/16"	White	10500201
	Strike, Stationary Panel M600 <i>Includes:</i> 1 – Strike 2 – Rivets (01060758)	Mill Finish	11040365
	Dual Seal Weather Strip, Check/Center Rail V116 Color: White	84" (2134)	15828400
	Operator Panel Track V057 NOTE: Specify left, right, top, bottom or set	Black White	15222200 15222100
	Air Vent	Black White	11867856 11867857
	Installation Screw #8x3/4 Pan head	Stone White Bahama Brown Pebble Bronze Evergreen	02058050 11800836 11800837 11800838 11800839

NOTE: All retractable screen parts are interchangeable between Ultimate Double Hung G1 DISC LA PRE 4/24/17 and Ultimate Double Hung G2

When ordering replacement parts specify:

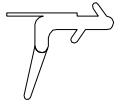
1. original order number;
2. type of unit;
3. part number;
4. description.

ILLUSTRATION NOT TO SCALE	DESCRIPTION	OPER./ COLOR	PART NO.
	<p>Carrier Bolt Assembly <i>For UDH-NG and USH-NG</i></p>	<p>LH Beige White Black</p> <p>RH Beige White Black</p>	<p>10501387 10501389 10501391</p> <p>10501386 10501388 10501390</p>
	<p>Free Spin End with Leaf Spring <i>Service Only</i> <i>For UDH-NG and USH-NG</i></p>		<p>10501700</p>
	<p>Ratchet End Cap <i>Service Only</i> <i>For UDH-NG and USH-NG</i></p>		<p>10500879</p>

NOTE: All retractable screen parts are interchangeable between Ultimate Double Hung G1 DISC LA PRE 4/24/17 and Ultimate Double Hung G2

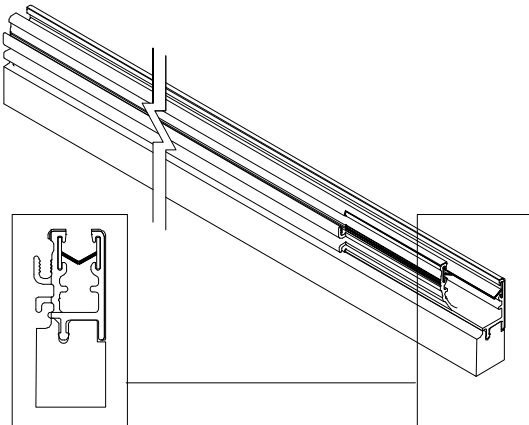
WHEN ORDERING REPLACEMENT PARTS SPECIFY:

1. original order number;
2. type of unit;
3. part number;
4. pull bar seal;
5. description.

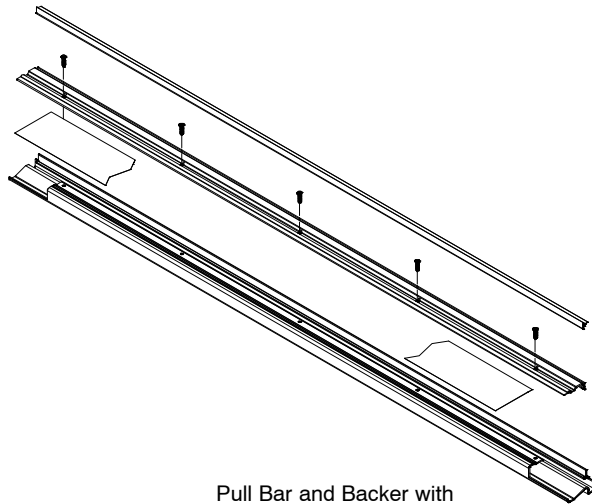


V2372 – Pull Bar Fin
(Black or Beige)

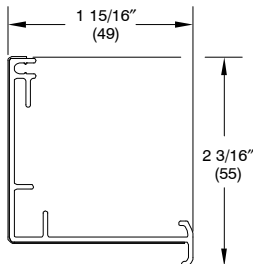
Service Only Parts



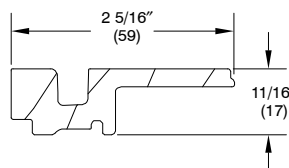
C0135 and V2627 – Screen Track Assembly
Wood Jamb liner not included



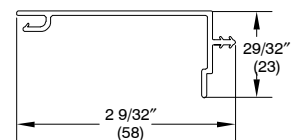
Pull Bar and Backer with
Fin and screws



C0117 – Interior Housing



W11581 – Interior
Jamb Cover



V2366 – Exterior
Housing

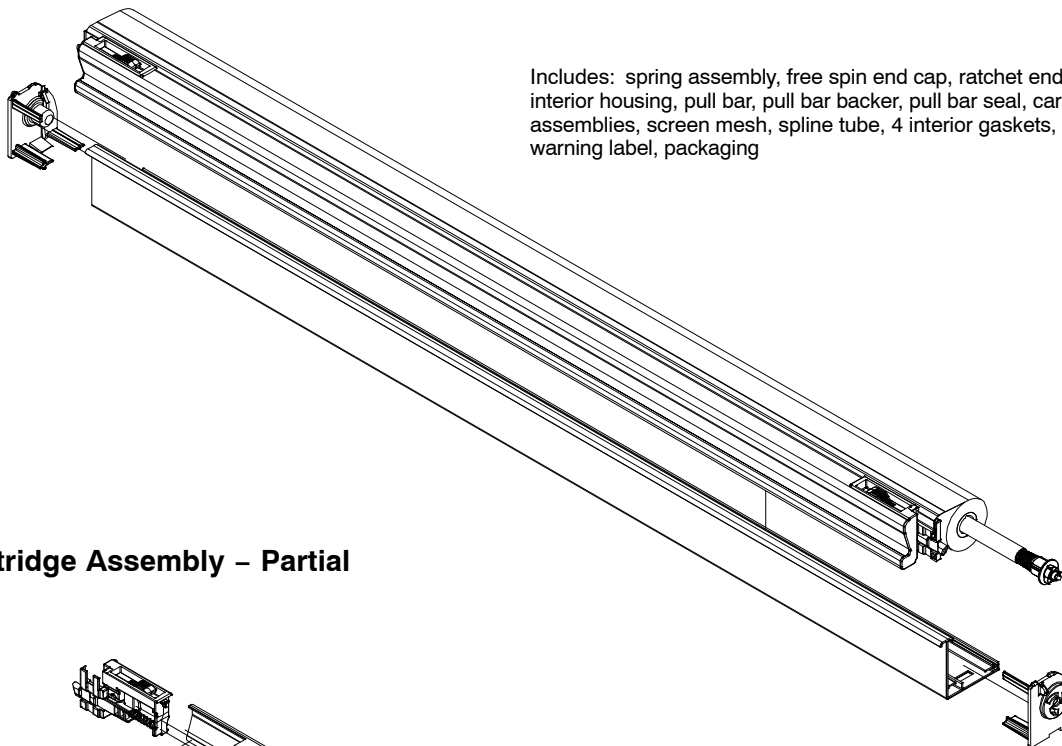
NOTE: All retractable screen parts are interchangeable between Ultimate Double Hung G1 DISC LA PRE 4/24/17 and Ultimate Double Hung G2

WHEN ORDERING REPLACEMENT PARTS:

1. order through configured parts in OMS

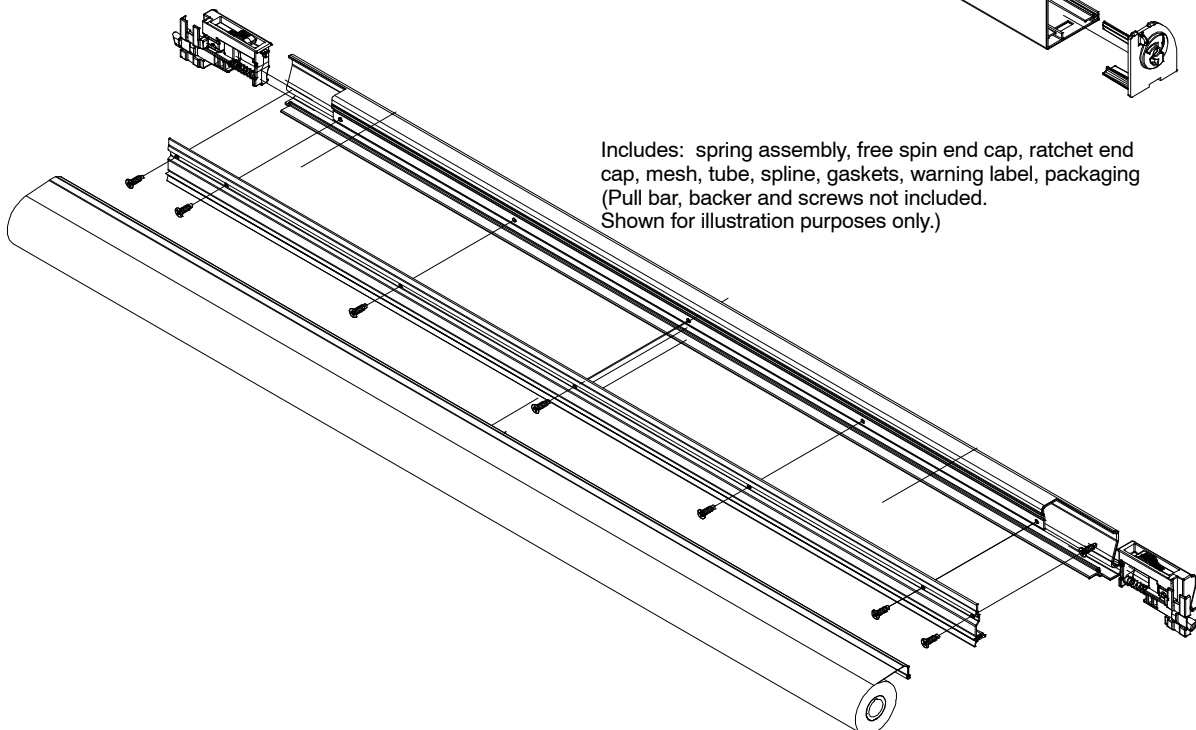
Service Only Parts

Screen Cartridge Assembly – Full Assembly



Includes: spring assembly, free spin end cap, ratchet end cap, interior housing, pull bar, pull bar backer, pull bar seal, carrier bolt assemblies, screen mesh, spline tube, 4 interior gaskets, screws, warning label, packaging

Screen Cartridge Assembly – Partial



Includes: spring assembly, free spin end cap, ratchet end cap, mesh, tube, spline, gaskets, warning label, packaging
(Pull bar, backer and screws not included.
Shown for illustration purposes only.)

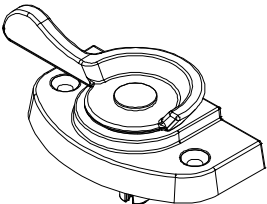
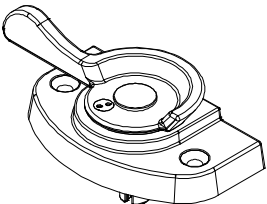
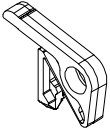

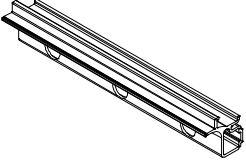
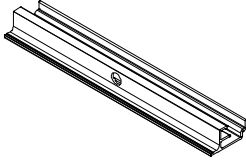
ILLUSTRATION NOT TO SCALE	DESCRIPTION	OPER./COLOR	PART NO.
	<p>Lock Handle Assembly Pre 4/24/2017</p> <p><i>Uses:</i> 2 - #7x1 1/4" Phillips flat head screws</p>	<p>Bronze Satin Taupe White Antique Brass Brass Oil Rubbed Bronze Polished Chrome Satin Chrome Satin Nickel Matte Black</p>	<p>10501082 10501083 10501084 10501085 10501086 10501087 10501088 10501089 10501090 10501091</p>
	<p>Lock Handle Assembly - Non Tilt Pre 4/24/2017</p> <p><i>Uses:</i> 2 - #7x1 1/4" Phillips flat head screws</p>	<p>Bronze Satin Taupe White Antique Brass Brass Oil Rubbed Bronze Polished Chrome Satin Chrome Satin Nickel Matte Black</p>	<p>10501073 10501074 10501075 10501076 10501077 10501078 10501079 10501080 10501081 10501069</p>
	<p>Lock Handle Kit - Custodial Pre 4/24/2017</p> <p><i>Includes:</i> 1 - Custodial Tilt Lock Handle Assembly 2 - #7-19x1 1/4" Phillips flat head screws TP (11807122), WH (11807115), BZ (11807118) 1 - Tamper Resistant Screw Kits TP (11800428), WH (11800429), BZ (11800430)</p>	<p>Satin Taupe (TP) White (WH) Bronze (BZ)</p>	<p>11869262 11869263 11869264</p>
	<p>Lock Handle Kit - Custodial Non Tilt Pre 4/24/2017</p> <p><i>Includes:</i> 1 - Custodial Non Tilt Lock Handle Assembly 2 - #7-19x1 1/4" Phillips flat head screws TP (11807122), WH (11807115), BZ (11807118) 1 - Tamper Resistant Screw Kit TP (11800428), WH (11800429), BZ (11800430)</p>	<p>Satin Taupe (TP) White (WH) Bronze (BZ)</p>	<p>11869265 11869266 11869267</p>
	<p>Catch, Sash Lock Pre 4/24/2017</p>		<p>10501213</p>
	<p>Lock Plunger Cap Pre 4/24/2017</p>	<p>Black</p>	<p>10500868</p>

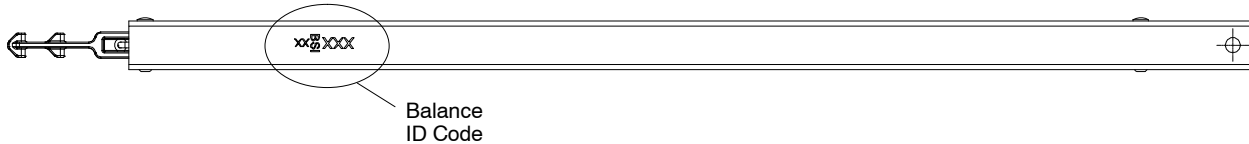
ILLUSTRATION NOT TO SCALE	DESCRIPTION	OPER./ COLOR	PART NO.
	<p>Cord Guide Assembly Kit Pre 4/24/2017</p> <p><i>Includes:</i> 1 – Cord Guide Assembly (a) 1 – Operating Cord (b) 1 – Large Spool (c)</p>		11851052
	<p>Jamb Receiver Assembly Pre 4/24/2017</p>	<p>Black LH RH</p>	10500755 10500754
	<p>Vent Receiver Pre 4/24/2017</p>	Beige White Black	10501377 10501379 10501378
	<p>Top Sash Tilt Latch Assembly Pre 10/31/2016</p> <p><i>Uses:</i> 1 – #6x1 1/2" Phillips flat head screw</p>	Beige	10500738
	<p>Bottom Sash Latch Assembly Pre 4/24/2017</p> <p><i>Uses:</i> 1 – #6x1" Phillips flat head screw 1 – #8x1 1/4" Phillips pan head screw</p> <p>NOTE: Right hand screw in Left hand assembly and Left hand screw in Right hand assembly.</p>	LH RH	10501407 10501406
	<p>Top Sash Latch Assembly Pre 4/24/2017</p> <p><i>Uses:</i> 1 – #7x7/8" Phillips flathead wood screw</p>	<p>Beige LH RH</p>	10501395 10501396
	<p>Top Sash Latch Assembly – Pre 9/29/2014</p> <p><i>Uses:</i> 1 – #7x7/8" Phillips flathead wood screw</p>	<p>Beige LH RH</p>	10500757 10500758
	<p>Sash Installation Kit (For use with A2681 Exterior Filler) CUDHP-NG and CUDHP-NG 2.0</p> <p><i>Includes:</i> 24 – #9x3" Torx flat head screws(11893125) 1 – T-25 Insert Bit 1 – Instruction (19915487)</p>		11869261

ILLUSTRATION NOT TO SCALE	DESCRIPTION	OPER./ COLOR	PART NO.
	<p>Lower Jamb Structural Bracket – Pre 10/20/2014 <i>A2696 – 6" (152)</i></p>	<p>White Almond Black</p>	<p>No longer available, use current parts.</p>
	<p>Upper Jamb Structural Bracket – Pre 10/20/2014 <i>A2701 – 6" (152)</i> <i>Uses:</i> <i>1 – #8x1/2" Phillips flathead screw</i></p>	<p>White Almond Black</p>	<p>No longer available, use current parts.</p>

**ULTIMATE DOUBLE HUNG DISC LA PRE 4/24/17
 TO ORDER:**

Block and Tackle balance tubes with ID Code can ONLY be ordered by contacting your Marvin Representative. Use the table below for reference only.

If experiencing operational difficulties please contact your Marvin Representative.



Balance Tube Assembly Part Numbers – Block and Tackle – Pre 1/26/2015 – Discontinued											
Balance ID Code	Part #	Balance ID Code	Part #	Balance ID Code	Part #	Balance ID Code	Part #	Balance ID Code	Part #	Balance ID Code	Part #
A	Part #	B	Part #	C	Part #	D	Part #	E	Part #	F	Part #
12A	10705012	20B	10705120	20C	10705220	12D	10705312	12E	10705412	16F	10705516
16A	10705016	24B	10705124	24C	10705224	16D	10705316	20E	10705420	24F	10705524
20A	10705020	36B	10705136	28C	10705228	20D	10705320	24E	10705424	G	
24A	10705024	40B	10705140	32C	10705232	24D		28E	10705428	24G	10705624
28A	10705028	44B	10705144	36C	10705236	28D	10705328	EN		H	
32A	10705032	48B	10705148	40C	10705240	32D	10705332	20EN	10709420	16H	10705716
36A	10705036	BN		44C	10705244	36D	10705336	28EN	10709428	I	
40A	10705040	12BN	10709112	48C	10705248	40D	10705340			16I	10705816
44A	10705044			CN		44D	10705344				
48A	10705048			16CN	10709216	48D	10705348				
				20CN	10709220	54D	10705354				
				24CN	10709224	DN					
				28CN	10709228	16DN	10709316				
				32CN	10709232	20DN	10709320				
						28DB	10709328				

ULTIMATE DOUBLE HUNG DISC LA PRE 4/24/17
TO ORDER:

1. Original order number
2. profile number;
3. call number or rough opening;
4. length;
5. clad color.



V2403 – Top Check Rail
Weather Strip

Ultimate Double Hung G1 DISC LA PRE 4/24/17 and
Ultimate Single Hung G1 DISC LA PRE 4/2017
For use on units produced prior to 9/29/2014



V2386 – Sash Retainer

Ultimate Double Hung, Picture G1 DISC LA PRE 4/24/17



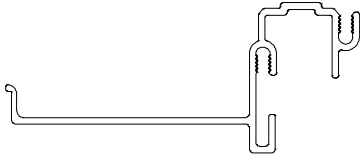
V2419– Head Jamb
Weather Strip

Ultimate Double Hung Round Top G1 DISC LA PRE 4/2017
Ultimate Single Hung Round Top G1 DISC LA PRE 4/2017
Ultimate Double Hung Picture Round Top G1 DISC LA PRE 4/2017

For use on units produced prior to 4/4/2017

**ULTIMATE DOUBLE HUNG DISC LA PRE 4/24/17
TO ORDER:**

1. Original order number
2. profile number;
3. call number or rough opening;
4. length;
5. clad color.



A2681 – Exterior Head Jamb or Jamb Cover
Ultimate Double Picture G1 DISC LA PRE 4/24/17

Replace with A3077



V147 – Sill Weather Strip
Bottom Check Rail (BK only)
Ultimate Double Hung, Picture and Transom G1 DISC LA PRE 4/24/17
Ultimate Single Hung G1 DISC LA PRE 4/2017

Header

Replace with V2779



V2392 – Header
Interior Weather Strip
Ultimate Double Hung G1 DISC LA PRE 4/24/17
Ultimate Single Hung G1 DISC LA PRE 4/2017

Replace with V2783



V113– Top Check Rail
Exterior Weather Strip
Ultimate Double Hung G1 DISC LA PRE 4/24/17
Ultimate Single Hung G1 DISC LA PRE 4/2017

Replace with V2803