

Ultrasonic Humidifier

Owner's Guide

English



Model
31206
31207

Form# 44064-01
2011624
©2011 Hunter Fan Co.

SINCE 1886
Hunter[®]

Table of Contents

At A Glance

Warnings and Introduction	3
Know Your Humidifier	4

Using Your Humidifier

Initial Setup and Operation.....	5
Controls	6

Maintenance

Cleaning and Storage	7
Replacing the UVC Bulb	8

Humidifier Assistance

Troubleshooting	9
Service Parts and Support	10

Warranty

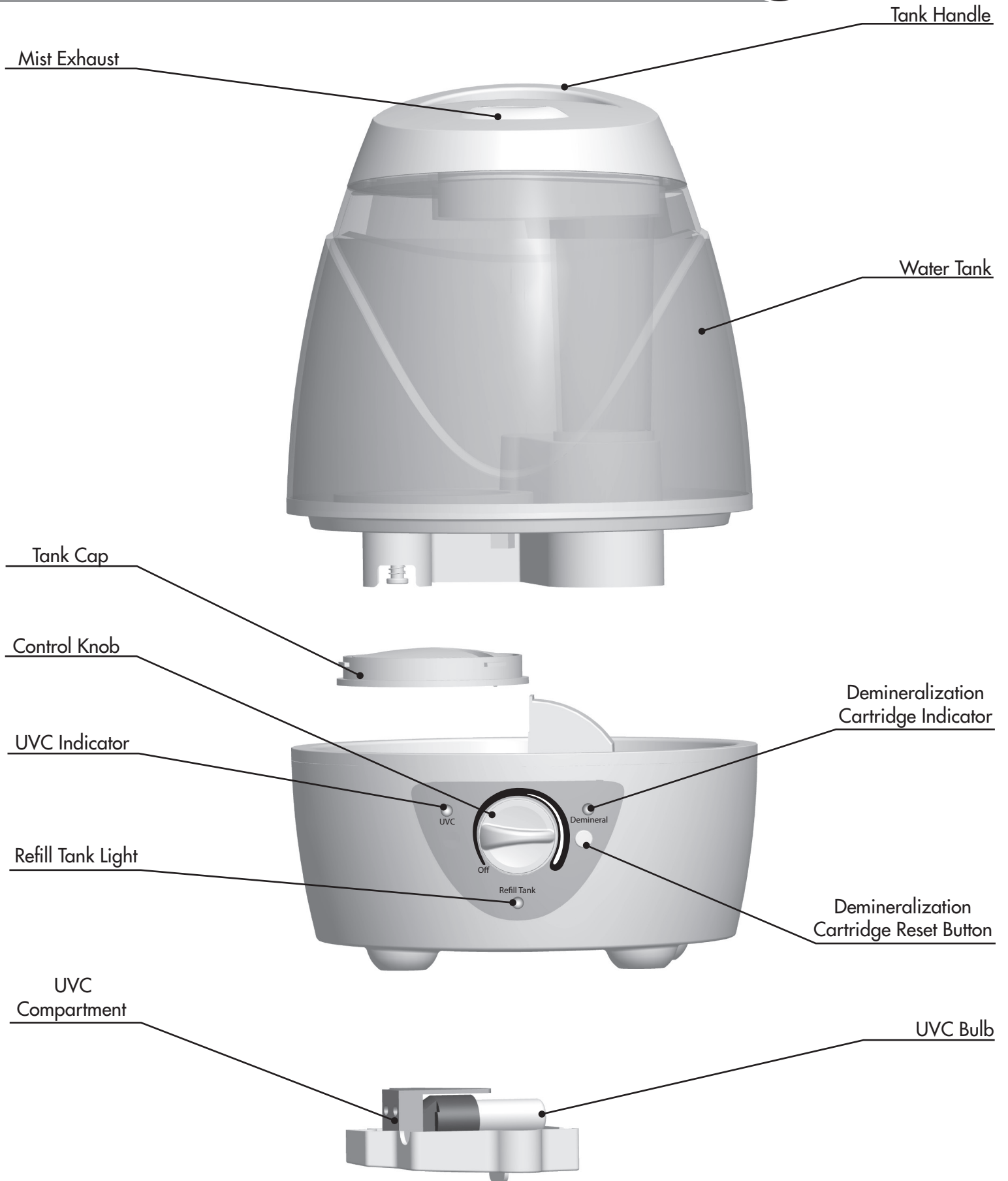
3 Year Guarantee	11
------------------------	----

READ AND SAVE THESE INSTRUCTIONS

Important Safety Instructions: Read all instructions before using this humidifier.

- This humidifier may not work properly on an uneven surface. **ALWAYS** place this humidifier on a firm, level, and water resistant surface.
- **WARNING:** This humidifier emits UVC radiation that may cause eye and/or skin irritation. RG-3. Avoid exposing eyes and skin to unshielded UVC Lamp.
- **CAUTION:** The UVC Lamp may shatter and cause injury if it is dropped or sustains impact. Wear safety glasses and gloves when handling the UVC Lamp. Do not use excessive force when handling the UVC Lamp. Dispose of the UVC bulb in accordance with local or State guidelines as trace amounts of Mercury are present.
- **ALWAYS** place the humidifier at least six (6) inches away from walls, heat sources, and electrical appliances such as stoves, radiators, or heaters.
- **ALWAYS** place the humidifier in an area that is out of the reach of children.
- Before using the humidifier, extend the cord and inspect for any signs of damage. **DO NOT** use the product if the cord has been damaged.
- This product has a polarized plug (one blade is wider than the other) as a safety feature. This plug will fit into a polarized outlet only one way. If the plug does not fit fully into the outlet, reverse the plug. If it still does not fit, contact a qualified electrician. **DO NOT** attempt to defeat or override this safety feature.
- **ALWAYS UNPLUG AND EMPTY** the humidifier when it is not in operation or while it is being cleaned.
- Use only clean, cool tap water when filling the tank. **DO NOT** use hot water.
- Never add medication of any type to the water tank.
- You should never leave the unit unattended in a closed room. The room can become saturated and leave condensation on walls and furniture. Always leave a door partially open.
- This part has been tested and complies with part 18 of the FCC.

Thank you for purchasing The Ultrasonic Humidifier by Hunter Fan Company. Please read and save these instructions to receive the maximum benefit and performance from your humidifier.



Initial Setup:

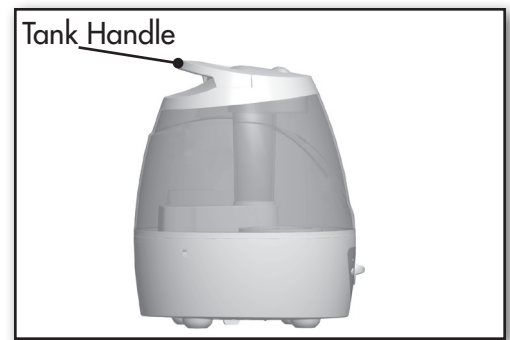
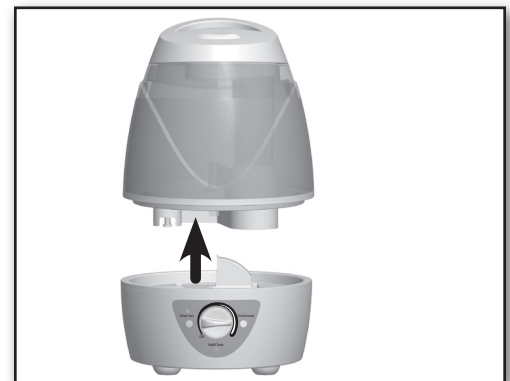
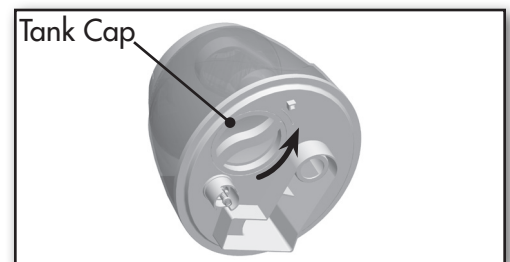
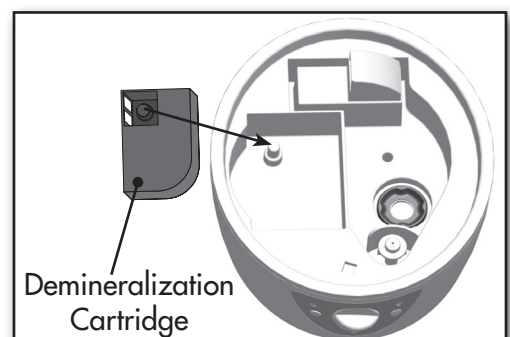
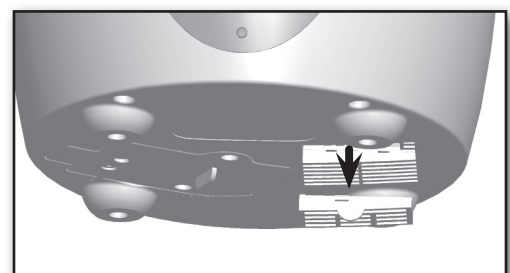
1. Remove the plastic bag covering from the humidifier.
2. Unravel and straighten the cord before use.
3. Remove the tank from the humidifier base by grasping the tank handle, Figure 1., and pulling straight up. Figure 1 and Figure 2.
4. If you plan to use a demineralization cartridge, insert it now into the base of the unit. Figure 4
5. If you will be using a vapor pad in the unit, turn the base over and remove the vapor pad compartment grill. Insert 1 vapor pad into the compartment and reattach the compartment to the base of the unit. Figure 5.
6. Turn the tank upside down and twist the tank cap counter-clockwise to remove. Figure 3.
7. Fill the unit with clean, cool tap water.

Warning: Never fill the humidifier with hot water.

8. Place the tank cap back on the tank and turn clockwise till secure.
9. Seat the tank back into the humidifier base making sure the tank is seated securely.

NOTE: Failure to ensure the tank is seated correctly could cause the unit to leak water from the tank.

10. Plug the humidifier into a wall outlet and start the unit.

**Figure 1****Figure 2****Figure 3****Figure 4****Figure 5**

Operation:

See Figure 6.

Humidity Control:



The output control allows you to set the amount of humidity you want the unit to output. Turn the knob clockwise to increase output. To turn the unit off, turn the the humidity knob past the lowest setting to off.

Indicators:

UVC Indicator: When the UVC indicator lights up, it is time to replace the UVC Bulb in the bottom of the unit. Replacing the bulb will reset the indicator.

Demineral Indicator: When the demineral indicator lights up, it is time to replace the demineralization cartridge in the base of the unit, if you are using one. Remove the tank from the unit, and the demineralization cartridge should be sitting inside the water tray in the bottom. Hold the reset button down under the indicator for a few seconds until the light goes out to reset.

Refill Tank Indicator: This indicates the tank is out of water. Once you have refilled the tank with water and set it back onto the unit, the refill tank light will reset.

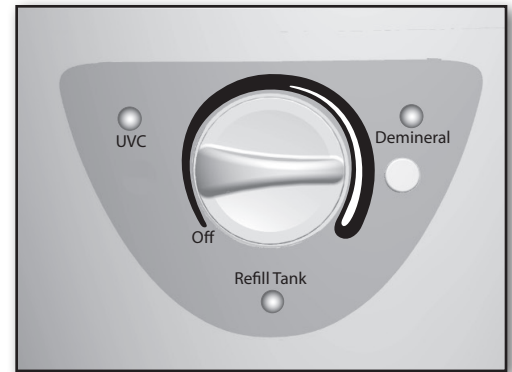


Figure 6

Note: ALWAYS unplug the humidifier from the electrical outlet before cleaning. NEVER allow water to sit in the tank when not in use.

Daily Maintenance:

1. Turn off the humidifier and unplug it from the wall outlet.
2. Remove the tank unit by pulling it straight off the humidifier base.
3. Turn the tank upside down and drain any water into a sink or tub. Shake the unit gently to remove any remaining water.
4. Rinse the tank thoroughly with water, empty, and wipe with a dry, clean cloth.
5. Wipe the humidifier base with a dry cloth if necessary.
6. Refill the tank as directed under "Initial Setup and Operation" on page 5 and resume use.

Weekly Maintenance:

1. Turn off the humidifier and unplug it from the wall outlet.
2. Remove the tank unit by pulling it straight off the humidifier base.
3. Turn the tank upside down and drain any water into a sink or tub. Shake the unit gently to remove any remaining water.
4. Fill the Water Tank with a mixture of one (1) gallon of water and eight (8) ounces of white vinegar. Leave the mixture in the Water Tank for 20 minutes, giving the Water Tank a shake every few minutes. After 20 minutes, give the Water Tank a final shake and discard the mixture.
5. Rinse the Water Tank several times with clean water. Leave the Water Tank Cap off to allow the Water Tank to dry completely.
6. Wipe the surfaces of the main housing with a soft damp cloth.
7. Once all the parts are clean and dry, reassemble the humidifier, refill the water tank and resume use.

Note: The tank has built-in antimicrobial properties to inhibit the growth of bacteria, mold, and fungi that may affect the water in the tank. Daily and weekly maintenance is still necessary to prevent the growth of bacteria, mold, and fungi.

End of Season Maintenance:

1. Follow the instructions for weekly maintenance before storing the unit.
2. Ensure all parts are completely dry before storing the unit.
3. Store the unit in a cool dry place.
4. Never store the unit with water in the tank.

Replacing the UVC Bulb

UVC Replacement:

Your humidifier is equipped with a UVC bulb to help kill germs and bacteria in the water. This bulb needs to be replaced once a year. These instructions will assist you with bulb replacement.

1. Turn the humidifier off and unplug it from the wall outlet.

NOTE: Before replacing the UVC bulb, you must empty the water out of the humidifier.

2. Remove the water tank from the unit and empty any water in the humidifier base.
3. Turn the humidifier base over and remove the 3 screws attaching the compartment to the bottom of the humidifier. Figure 7.

NOTE: Only remove the 3 screws pictured in Figure 7.

4. Grip the tab on the bottom of the UVC compartment and pull straight out. Figure 7 and Figure 8.
5. Remove the UVC bulb from the UVC cover by turning counterclockwise, Figure 9, and lifting it slightly to clear the lip on the UVC compartment. Figure 10

NOTE: When handling the new bulb, do not let it come in direct contact with your hands. Oils from your skin can cause the bulb to fail directly, or lessen its life expectancy. Use the bag the bulb came in to screw it into the socket on the UVC cover.

NOTE: If the UVC cover is not installed properly the humidifier **WILL NOT OPERATE**.

6. Insert the 3 screws that hold the UVC cover, and tighten securely.
7. Reassemble the unit and resume operation.

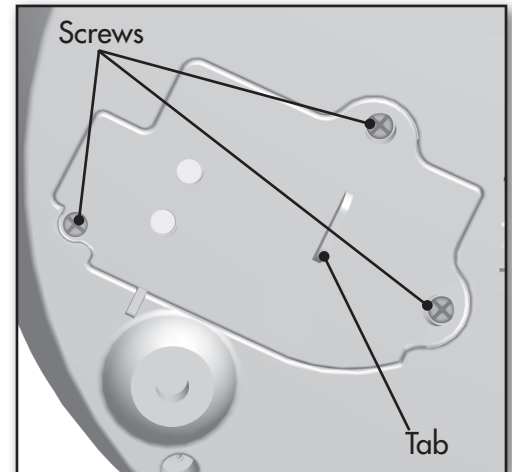


Figure 7

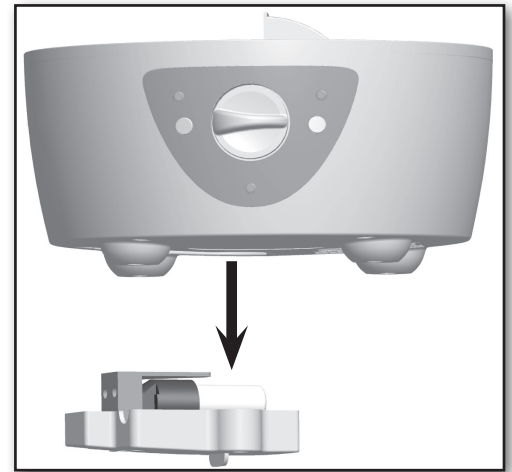


Figure 8

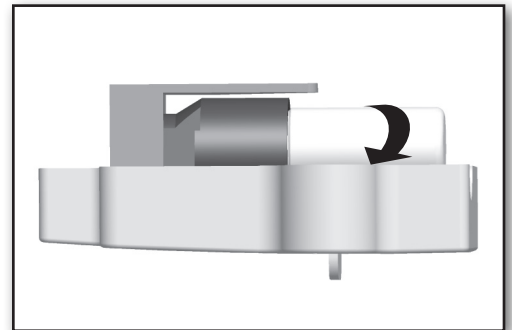


Figure 9

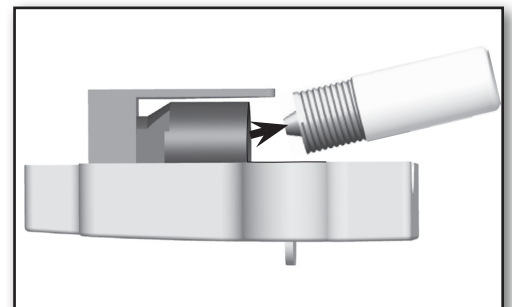


Figure 10

Problem:

Excessive noise.

Solution:

1. Check the Water Tank to make sure it is properly seated on the base.
2. Check the Water Tank to make sure there are no bubbles when the Water Tank is full and running. If there are bubbles, turn the unit OFF until the bubbling stops. When the bubbling has stopped, set the unit to the desired speed.

Problem:

Humidifier not working.

Solution:

1. Make sure the humidity level is not set to OFF.
2. Adjust the humidity level using the Humidity Knob. Once the room reaches the set humidity level, the humidifier will turn OFF; this is normal.
3. Ensure the UVC bulb compartment is installed properly.

Problem:

Mineral build-up on the Water Tank or Tray.

Solution:

1. Refer to the section "Cleaning and Storage" on page 7.

Problem:





Humidity output and water usage decreased.

Solution:

1. Check the Humidistat Knob to make sure it is set to the desired humidity level.
2. Check the Water Tank to make sure there are no bubbles when the Water Tank is full and running. If there are bubbles, turn the unit OFF until the bubbling stops. When the bubbling has stopped, set the unit to the desired speed.
3. Clean any components that have mineral build-up. Refer to the section "Cleaning and Storage" on page 7.



Service Parts

Part #	Part Name	Part	Replace
89755-01-326	Water Tank		
G0843-01-679	Tank Assembly Cap		
31954	Demineralization Cartridge		1 per month
30850	UVC Bulb		1 per year

Technical Support

If you need any assistance with setup, operation, or parts for your new Hunter Humidifier, please call us, our technical support staff is ready to help!

USA: 1-888-830-1326
Canada: 1-866-268-1936

Hours of operation are from 7:00 am to 7:00 pm Monday - Friday and 8:00 am to 5:00 pm on Saturday, Central Time. You may also contact us over the Internet at www.hunterfan.com or register your product at www.hunterfan.com/register and select your product under product registration.



The Hunter Fan Company, Inc. makes the following warranty to the original residential user or consumer purchaser of the ultrasonic humidifier:

If any part of the ultrasonic humidifier fails during the first 3 (three) years from the date of purchase due to a defect in material or workmanship, we will provide a replacement part free of charge.

If no replacement part can be provided, we will replace your humidifier.

IF THE ORIGINAL RESIDENTIAL USER OR CONSUMER PURCHASER CEASES TO OWN THE HUMIDIFIER, THIS WARRANTY AND ANY IMPLIED WARRANTY WHICH THEN REMAINS IN EFFECT, INCLUDING BUT NOT LIMITED TO ANY IMPLIED WARRANTY OF MERCHANTABILITY OR FITNESS FOR A PARTICULAR PURPOSE, ARE VOIDED. THIS WARRANTY IS IN LIEU OF ALL OTHER EXPRESS WARRANTIES. THE DURATION OF ANY IMPLIED WARRANTY, INCLUDING BUT NOT LIMITED TO ANY IMPLIED WARRANTY OF MERCHANTABILITY OR FITNESS FOR A PARTICULAR PURPOSE IS EXPRESSLY LIMITED TO THE PERIOD OF THE EXPRESS WARRANTY SET FORTH ABOVE.

This warranty is voided if your ultrasonic humidifier is not purchased and used in the USA or Canada.

This warranty excludes and does not cover defects, malfunctions, or failures of the humidifier which were caused by repairs by persons not authorized by us, use of parts, or accessories not authorized by us, mishandling, modifications, or damage to the humidifier while in your possession, or unreasonable use, including failure to provide reasonable and necessary maintenance. This warranty does not cover humidifiers used in commercial applications. There are no express or implied warranties as to commercial purchasers or users.

To obtain service, contact the nearest Hunter authorized service center or the Hunter Fan Company Service Department, 7130 Goodlett Farms Pkwy., Suite 400, Memphis, TN 38016, 1-888-830-1326. You will be responsible for insurance and freight or other transportation to our factory service center. We will return the humidifier freight prepaid to you. The humidifier should be properly packaged to avoid damage in transit since we will not be responsible for any such damage. Proof of purchase is required when requesting warranty service. The purchaser must present the sales receipt or other document that establishes proof of purchase.

IN NO EVENT SHALL HUNTER FAN COMPANY BE LIABLE FOR DIRECT, INDIRECT, SPECIAL, CONSEQUENTIAL OR INCIDENTAL DAMAGES IN EXCESS OF THE PURCHASE PRICE OF THE HUMIDIFIER. YOUR SOLE REMEDY WILL BE REPAIR OR REPLACEMENT AS PROVIDED ABOVE. SOME AMERICAN STATES AND CANADIAN PROVINCES DO NOT ALLOW:

- LIMITATIONS ON HOW LONG AN IMPLIED WARRANTY LASTS;
- THE EXCLUSION OR LIMITATION OF DIRECT, INDIRECT, SPECIAL, INCIDENTAL OR CONSEQUENTIAL DAMAGES;
- THE EXCLUSION OR INVALIDITY OF EXPRESS OR IMPLIED WARRANTIES IF THE USER CEASES TO OWN THE HUMIDIFIER;
- THE LIMITATION OF THE REMEDIES AND RECOURSES AVAILABLE TO THE PURCHASER; OR THE INVALIDITY OF AN EXPRESS WARRANTY WHEN A PRODUCT IDENTIFIED BY BRAND NAME IS NOT USED (UNLESS SPECIFIC CONDITIONS ARE FULFILLED);

SO THE ABOVE LIMITATIONS OR EXCLUSIONS MAY NOT APPLY TO YOU.

THIS WARRANTY GIVES YOU SPECIFIC LEGAL RIGHTS AND YOU MAY ALSO HAVE OTHER RIGHTS WHICH VARY FROM STATE TO STATE OR PROVINCE TO PROVINCE.

