



To locate a CAD drawing, use these menus to select the desired part. The drawing is located in the folder shown under **Folder Name**. The drawing file name is shown above the drawing ICON's on subsequent pages.

To see the ICON's pick a Folder Name and then pick a group of parts within that folder. For example:

P1028 View 1.dxf and P1028 View 2.dxf are located in the folder Unistrut DXF: General Fittings.

P1028 View 1.dwg and P1028 View 2.dwg are located in the folder Unistrut DWG: General Fittings.

**Folder Name:**

---

[1 1/4 Framing System](#)

[1 5/8 Channel](#)

[13/16 Framing System](#)

[Concrete Inserts](#)

[Electrical Fittings](#)

[General Fittings](#)

[Nuts / Hardware](#)

[Pipe/Conduit Support](#)

[Telestrut](#)



To locate a CAD drawing, use these menus to select the desired part. The drawing is located in the folder shown under **Folder Name**. The drawing file name is shown above the drawing ICON's on subsequent pages.

To see the ICON's pick a Folder Name and then pick a group of parts within that folder. For example:

P1028 View 1.dxf and P1028 View 2.dxf are located in the folder Unistrut DXF: General Fittings.

P1028 View 1.dwg and P1028 View 2.dwg are located in the folder Unistrut DWG: General Fittings.

## Folder Name:

---

### **1 1/4 Framing System**

[1 5/8 Channel](#)

[13/16 Framing System](#)

[Concrete Inserts](#)

[Electrical Fittings](#)

[General Fittings](#)

[Nuts / Hardware](#)

[Pipe/Conduit Support](#)

[Telestrut](#)

## Groups within Folder 1 1/4 Framing System:

---

- [1 1/4 in. Channel](#)
- [Bracket](#)
- [Channel Nut](#)
- [Closure Strip](#)
- [End Cap](#)
- [Fittings \(Angular\)](#)
- [Fittings \(Flat Plate\)](#)
- [Fittings \(Ninety Degree\) \[2 Pages\]](#)
- [Fittings \(U Shape\)](#)
- [Fittings \(Wing Shape\)](#)
- [Fittings \(Z Shape\)](#)
- [Uni-Clip](#)



To locate a CAD drawing, use these menus to select the desired part. The drawing is located in the folder shown under **Folder Name**. The drawing file name is shown above the drawing ICON's on subsequent pages.

To see the ICON's pick a Folder Name and then pick a group of parts within that folder. For example:

P1028 View 1.dxf and P1028 View 2.dxf are located in the folder Unistrut DXF: General Fittings.

P1028 View 1.dwg and P1028 View 2.dwg are located in the folder Unistrut DWG: General Fittings.

### Folder Name:

---

[1 1/4 Framing System](#)

**1 5/8 Channel**

[13/16 Framing System](#)

[Concrete Inserts](#)

[Electrical Fittings](#)

[General Fittings](#)

[Nuts / Hardware](#)

[Pipe/Conduit Support](#)

[Telestrut](#)

### Groups within Folder 1 5/8 Channel:

---

- [1 5/8 in. Channel \[2 Pages\]](#)
- [Closure Strip](#)
- [End Cap \[2 Pages\]](#)



To locate a CAD drawing, use these menus to select the desired part. The drawing is located in the folder shown under **Folder Name**. The drawing file name is shown above the drawing ICON's on subsequent pages.

To see the ICON's pick a Folder Name and then pick a group of parts within that folder. For example:

P1028 View 1.dxf and P1028 View 2.dxf are located in the folder Unistrut DXF: General Fittings.

P1028 View 1.dwg and P1028 View 2.dwg are located in the folder Unistrut DWG: General Fittings.

### Folder Name:

---

[1 1/4 Framing System](#)

[1 5/8 Channel](#)

**13/16 Framing System**

[Concrete Inserts](#)

[Electrical Fittings](#)

[General Fittings](#)

[Nuts / Hardware](#)

[Pipe/Conduit Support](#)

[Telestrut](#)

### Groups within Folder 13/16 Framing System:

---

- [13/16 in. Channel](#)
- [Channel Nut](#)
- [Closure Strip](#)
- [End Cap](#)
- [Fittings \(Angular\)](#)
- [Fittings \(Beam Clamps\)](#)
- [Fittings \(Bracket\)](#)
- [Fittings \(Flat Plate\) \[2 Pages\]](#)
- [Fittings \(Ninety Degree\) \[4 Pages\]](#)
- [Fittings \(Special Applications\)](#)
- [Fittings \(U Shape\)](#)
- [Fittings \(Z Shape\)](#)
- [Two Tube Clip](#)
- [Uni-Clip](#)



To locate a CAD drawing, use these menus to select the desired part. The drawing is located in the folder shown under **Folder Name**. The drawing file name is shown above the drawing ICON's on subsequent pages.

To see the ICON's pick a Folder Name and then pick a group of parts within that folder. For example:

P1028 View 1.dxf and P1028 View 2.dxf are located in the folder Unistrut DXF: General Fittings.

P1028 View 1.dwg and P1028 View 2.dwg are located in the folder Unistrut DWG: General Fittings.

## Folder Name:

---

[1 1/4 Framing System](#)

[1 5/8 Channel](#)

[13/16 Framing System](#)

**Concrete Inserts**

[Electrical Fittings](#)

[General Fittings](#)

[Nuts / Hardware](#)

[Pipe/Conduit Support](#)

[Telestrut](#)

## Groups within Folder Concrete Inserts:

---

- [End Caps Anchors](#)
- [Heavy Duty](#)
- [Hold Down Spring](#)
- [Joint Covers](#)
- [Light Duty](#)
- [Spot Inserts](#)
- [Standard Duty](#)



To locate a CAD drawing, use these menus to select the desired part. The drawing is located in the folder shown under **Folder Name**. The drawing file name is shown above the drawing ICON's on subsequent pages.

To see the ICON's pick a Folder Name and then pick a group of parts within that folder. For example:

P1028 View 1.dxf and P1028 View 2.dxf are located in the folder Unistrut DXF: General Fittings.

P1028 View 1.dwg and P1028 View 2.dwg are located in the folder Unistrut DWG: General Fittings.

## Folder Name:

---

[1 1/4 Framing System](#)

[1 5/8 Channel](#)

[13/16 Framing System](#)

[Concrete Inserts](#)

**Electrical Fittings**

[General Fittings](#)

[Nuts / Hardware](#)

[Pipe/Conduit Support](#)

[Telestrut](#)

## Groups within Folder Electrical Fittings:

---

- [Accessories](#)
- [Cable Entrance Fittings](#)
- [Cable Saddles](#)
- [Conduit Swing Fitting](#)
- [Electrical Connector](#)
- [End Cap](#)
- [End Connector](#)
- [Flourescent Fixture Hanger](#)
- [In-Channel Joiner](#)
- [Junction Boxes](#)
- [Maple Cable Clamp](#)
- [Maple Cable Saddle](#)
- [Outlet Box](#)
- [Porce-A-Clamp \[2 Pages\]](#)
- [Porcelain Cable Clamp \[2 Pages\]](#)
- [Raceway Hanger](#)
- [Receptacles](#)
- [Spacer Clevis](#)
- [Splice Fitting](#)
- [Swivel Hanger](#)



To locate a CAD drawing, use these menus to select the desired part. The drawing is located in the folder shown under **Folder Name**. The drawing file name is shown above the drawing ICON's on subsequent pages.

To see the ICON's pick a Folder Name and then pick a group of parts within that folder. For example:

P1028 View 1.dxf and P1028 View 2.dxf are located in the folder Unistrut DXF: General Fittings.

P1028 View 1.dwg and P1028 View 2.dwg are located in the folder Unistrut DWG: General Fittings.

## Folder Name:

---

[1 1/4 Framing System](#)

[1 5/8 Channel](#)

[13/16 Framing System](#)

[Concrete Inserts](#)

[Electrical Fittings](#)

**General Fittings**

[Nuts / Hardware](#)

[Pipe/Conduit Support](#)

[Telestrut](#)

## Groups within Folder General Fittings:

---

- [Adjustable Brace](#)
- [Adjustable Hinge](#)
- [Angular Fitting](#)
- [Beam Clamp \[3 Pages\]](#)
- [Brace](#)
- [Bracket \[2 Pages\]](#)
- [Cradle Clip](#)
- [Flat Plate Fitting \[4 Pages\]](#)
- [Ninety Degree Fitting \[5 Pages\]](#)
- [Post Base](#)
- [Special Application](#)
- [Trolley](#)
- [U-Shape Fitting \[2 Pages\]](#)
- [Wing Shape Fitting \[2 Pages\]](#)
- [Z-Shape Fitting](#)



To locate a CAD drawing, use these menus to select the desired part. The drawing is located in the folder shown under **Folder Name**. The drawing file name is shown above the drawing ICON's on subsequent pages.

To see the ICON's pick a Folder Name and then pick a group of parts within that folder. For example:

P1028 View 1.dxf and P1028 View 2.dxf are located in the folder Unistrut DXF: General Fittings.

P1028 View 1.dwg and P1028 View 2.dwg are located in the folder Unistrut DWG: General Fittings.

## Folder Name:

---

[1 1/4 Framing System](#)

[1 5/8 Channel](#)

[13/16 Framing System](#)

[Concrete Inserts](#)

[Electrical Fittings](#)

[General Fittings](#)

**Nuts / Hardware**

[Pipe/Conduit Support](#)

[Telestrut](#)

## Groups within Folder Nuts / Hardware:

---

- [Channel Nut](#)
- [Channel Nut With Spring](#)
- [Cone Point Set Screw](#)
- [Coupler Nut](#)
- [Flat Head Machine Screw](#)
- [Flat Washer](#)
- [Hex Head Cap Screw](#)
- [Hex Slotted Machine Screw](#)
- [Hexagon Nut](#)
- [Lock Washer](#)
- [Round Head Machine Screw](#)
- [Square Nut](#)
- [Stud Nut](#)





To locate a CAD drawing, use these menus to select the desired part. The drawing is located in the folder shown under **Folder Name**. The drawing file name is shown above the drawing ICON's on subsequent pages.

To see the ICON's pick a Folder Name and then pick a group of parts within that folder. For example:

P1028 View 1.dxf and P1028 View 2.dxf are located in the folder Unistrut DXF: General Fittings.

P1028 View 1.dwg and P1028 View 2.dwg are located in the folder Unistrut DWG: General Fittings.

## Folder Name:

[1 1/4 Framing System](#)

[1 5/8 Channel](#)

[13/16 Framing System](#)

[Concrete Inserts](#)

[Electrical Fittings](#)

[General Fittings](#)

[Nuts / Hardware](#)

**Pipe/Conduit Support**

[Telestrut](#)

## Groups within Folder Pipe/Conduit Support:

- [Cable/Conduit Clamp](#)
- [Conduit\(EMT\) Clamp](#)
- [Cush A Clamp \[2 Pages\]](#)
- [Cush A Clamp Omega Series](#)
- [J-Hanger](#)
- [O.D. Tubing Clamp \[4 Pages\]](#)
- [One Hole Clamp](#)
- [Parallel Pipe Clamp](#)
- [Pipe Brackets](#)
- [Pipe Rollers](#)
- [Pipe Strap](#)
- [Rigid Steel Conduit Clamp](#)
- [Stand-off Pipe Clamp](#)
- [Swivel Ceiling Flanges](#)
- [U-Bolt](#)
- [Uni-Clip \(EMT\)](#)
- [Uni-Clip \(Rigid\)](#)
- [Unicushion \[3 Pages\]](#)
- [Universal Pipe Clamp](#)



To locate a CAD drawing, use these menus to select the desired part. The drawing is located in the folder shown under **Folder Name**. The drawing file name is shown above the drawing ICON's on subsequent pages.

To see the ICON's pick a Folder Name and then pick a group of parts within that folder. For example:

P1028 View 1.dxf and P1028 View 2.dxf are located in the folder Unistrut DXF: General Fittings.

P1028 View 1.dwg and P1028 View 2.dwg are located in the folder Unistrut DWG: General Fittings.

### Folder Name:

---

[1 1/4 Framing System](#)

[1 5/8 Channel](#)

[13/16 Framing System](#)

[Concrete Inserts](#)

[Electrical Fittings](#)

[General Fittings](#)

[Nuts / Hardware](#)

[Pipe/Conduit Support](#)

**Telestrut**

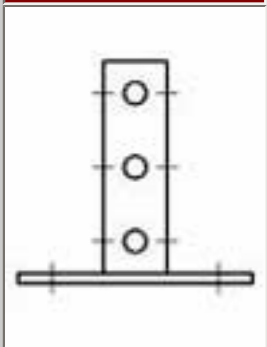
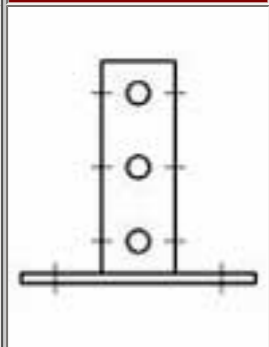
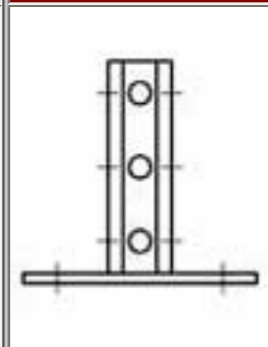
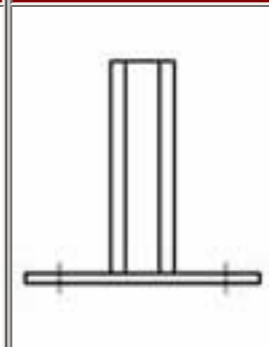
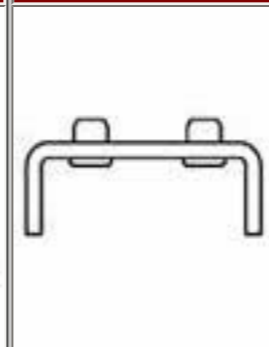
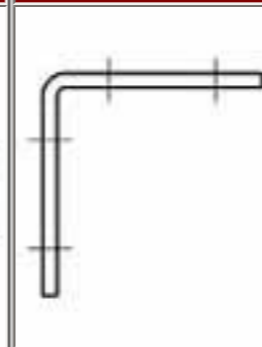
### Groups within Folder Telestrut:

---

- [Telestrut Fitting](#)
- [Telestrut Tube](#)


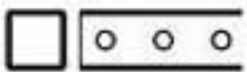


[Index](#)

P9011	P9012	P9013	P9014	P9207	P9324
					


















[Index](#)

P9000	P9200
 A diagram of a P9000 tube, showing a square on the left and three circles in a row on the right.	 A diagram of a P9200 tube, showing a square on the left and three circles in a row on the right.



[Index](#)

<b>M5025</b>	<b>M5026</b>	<b>M5028</b>	<b>M5030</b>	<b>M5032</b>	<b>M5034</b>	<b>M5036</b>	<b>M5038</b>	<b>M5041</b>	<b>M5044</b>
									
<b>M5048</b>	<b>M5052</b>	<b>M5054</b>	<b>M5057</b>	<b>M5060</b>					
									




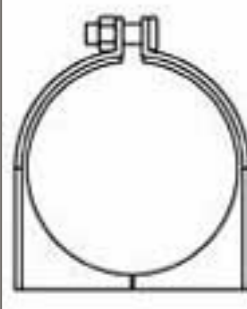
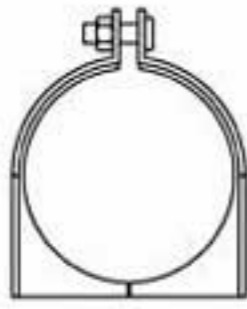
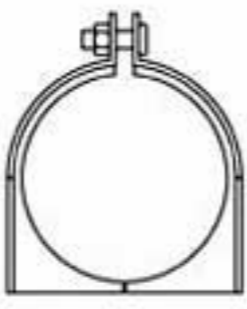





[Index](#)

P1425		P1426		P1427		P1428		P1429	
P1425 View 1	P1425 View 2	P1426 View 1	P1426 View 2	P1427 View 1	P1427 View 2	P1428 View 1	P1428 View 2	P1429 View 1	P1429 View 2
P1430		P1431							
P1430 View 1	P1430 View 2	P1431 View 1	P1431 View 2						



<b>004T008</b> 	<b>006T010</b> 	<b>008T012</b> 	<b>009N012</b> 	<b>010T014</b> 	<b>011N014</b> 	<b>012T016</b> 	<b>014N018</b> 	<b>014T018</b> 	<b>016T020</b> 
<b>017N022</b> 	<b>018T022</b> 	<b>020T024</b> 	<b>021N026</b> 	<b>022T026</b> 	<b>024N028</b> 	<b>026N030</b> 	<b>027N032</b> 	<b>028N032</b> 	<b>030N034</b> 
<b>032N036</b> 	<b>034N040</b> 	<b>038N044</b> 	<b>040N046</b> 	<b>042N048</b> 	<b>046N052</b> 	<b>050N054</b> 	<b>050N056</b> 	<b>053N060</b> 	<b>056N062</b> 



058N064	064N072	066N074	069N076	072N080	082N090	089N096	098N106	106N114
								



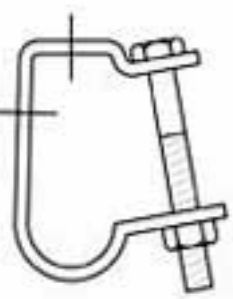


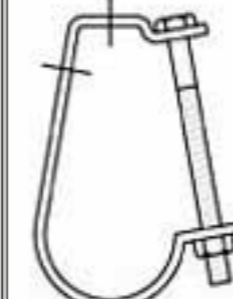




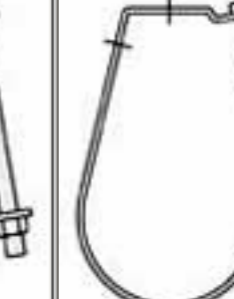
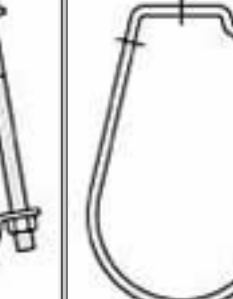





[Index](#)

<b>004M007</b>	<b>006M008</b>	<b>008M011</b>	<b>010M013</b>	<b>012M015</b>	<b>014M017</b>	<b>016M019</b>	<b>018M020</b>	<b>018M021</b>	<b>020M024</b>
<b>021M026</b>	<b>022M026</b>	<b>024M028</b>	<b>026M030</b>	<b>027M032</b>	<b>028M032</b>	<b>030M034</b>	<b>032M036</b>	<b>034M040</b>	<b>038M044</b>
<b>082M090</b>									



[Index](#)

<b>J1205</b> 	<b>J1207</b> 	<b>J1210</b> 	<b>J1212</b> 	<b>J1215</b> 	<b>J1220</b> 	<b>J1225</b> 	<b>J1230</b> 	<b>J1235</b> 	<b>J1240</b> 
<b>J1250</b> 	<b>J1260</b> 	<b>J1280</b> 							



P2024		P2025		P2026		P2027		P2028	
P2024 View 1	P2024 View 2	P2025 View 1	P2025 View 2	P2026 View 1	P2026 View 2	P2027 View 1	P2027 View 2	P2028 View 1	P2028 View 2
P2029		P2030		P2031		P2032		P2033	
P2029 View 1	P2029 View 2	P2030 View 1	P2030 View 2	P2031 View 1	P2031 View 2	P2032 View 1	P2032 View 2	P2033 View 1	P2033 View 2
P2034		P2035		P2037		P2038		P2039	
P2034 View 1	P2034 View 2	P2035 View 1	P2035 View 2	P2037 View 1	P2037 View 2	P2038 View 1	P2038 View 2	P2039 View 1	P2039 View 2



P2040		P2042		P2043		P2044		P2046	
P2040 View 1	P2040 View 2	P2042 View 1	P2042 View 2	P2043 View 1	P2043 View 2	P2044 View 1	P2044 View 2	P2046 View 1	P2046 View 2
P2047		P2048		P2049		P2051		P2052	
P2047 View 1	P2047 View 2	P2048 View 1	P2048 View 2	P2049 View 1	P2049 View 2	P2051 View 1	P2051 View 2	P2052 View 1	P2052 View 2
P2053		P2055		P2056		P2057		P2059	
P2053 View 1	P2053 View 2	P2055 View 1	P2055 View 2	P2056 View 1	P2056 View 2	P2057 View 1	P2057 View 2	P2059 View 1	P2059 View 2



P2060		P2061		P2062		P2063		P2064	
P2060 View 1	P2060 View 2	P2061 View 1	P2061 View 2	P2062 View 1	P2062 View 2	P2063 View 1	P2063 View 2	P2064 View 1	P2064 View 2
P2065		P2066		P2067		P2068		P2069	
P2065 View 1	P2065 View 2	P2066 View 1	P2066 View 2	P2067 View 1	P2067 View 2	P2068 View 1	P2068 View 2	P2069 View 1	P2069 View 2
P2070		P2070-61		P2070-62		P2070-63		P2070-64	
P2070 View 1	P2070 View 2	P2070-61 View 1	P2070-61 View 2	P2070-62 View 1	P2070-62 View 2	P2070-63 View 1	P2070-63 View 2	P2070-64 View 1	P2070-64 View 2



P2070-66		P2070-67		P2070-70		P2070-71		P2070-72	
P2070-66 View 1	P2070-66 View 2	P2070-67 View 1	P2070-67 View 2	P2070-70 View 1	P2070-70 View 2	P2070-71 View 1	P2070-71 View 2	P2070-72 View 1	P2070-72 View 2
P2070-73		P2070-74		P2070-75		P2070-76		P2070-77	
P2070-73 View 1	P2070-73 View 2	P2070-74 View 1	P2070-74 View 2	P2070-75 View 1	P2070-75 View 2	P2070-76 View 1	P2070-76 View 2	P2070-77 View 1	P2070-77 View 2
P2070-80		P2070-81		P2070-82		P2070-83		P2070-84	
P2070-80 View 1	P2070-80 View 2	P2070-81 View 1	P2070-81 View 2	P2070-82 View 1	P2070-82 View 2	P2070-83 View 1	P2070-83 View 2	P2070-84 View 1	P2070-84 View 2



[Index](#)

P2008	P2009	P2010	P2012	P2014	P2016	P2018	P2020





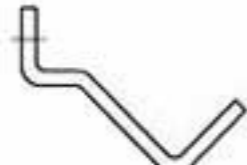
[Index](#)

P1563		P1564		P1565		P1566		P1567	
P1563 View 1	P1563 View 2	P1564 View 1	P1564 View 2	P1565 View 1	P1565 View 2	P1566 View 1	P1566 View 2	P1567 View 1	P1567 View 2
P1568		P1569		P1570		P1571		P1572	
P1568 View 1	P1568 View 2	P1569 View 1	P1569 View 2	P1570 View 1	P1570 View 2	P1571 View 1	P1571 View 2	P1572 View 1	P1572 View 2
P1573									
P1573 View 1	P1573 View 2								






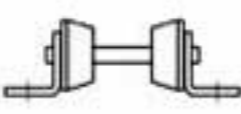
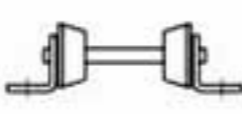
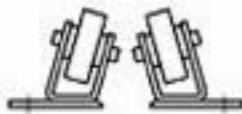



[Index](#)

P2243	P2481	P2482
		



[Index](#)

P2474	P2474-1	P2474-2	P2474-3	P2474-4	P2475	P2476
						



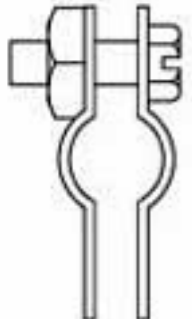
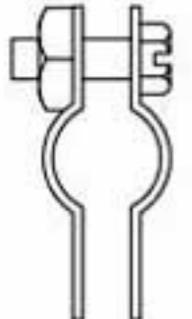
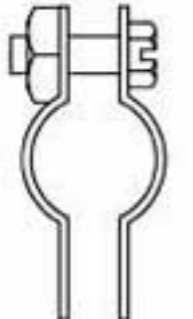
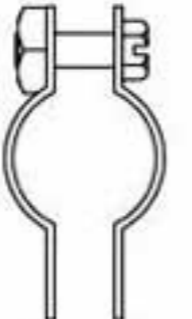





[Index](#)

P1109		P1111		P1112		P1113		P1114	
P1109 View 1	P1109 View 2	P1111 View 1	P1111 View 2	P1112 View 1	P1112 View 2	P1113 View 1	P1113 View 2	P1114 View 1	P1114 View 2
P1115		P1117		P1118		P1119		P1120	
P1115 View 1	P1115 View 2	P1117 View 1	P1117 View 2	P1118 View 1	P1118 View 2	P1119 View 1	P1119 View 2	P1120 View 1	P1120 View 2
P1121		P1123		P1124		P1126			
P1121 View 1	P1121 View 2	P1123 View 1	P1123 View 2	P1124 View 1	P1124 View 2	P1126 View 1	P1126 View 2		





[Index](#)

P3409	P3411	P3412	P3413	P3414	P3415	P3417
						



[Index](#)

M-30	M-31
	









[Index](#)

UB 1 PA		UB 1-1/2 PA		UB 1-1/4 PA		UB 1/2 PA		UB 10 PA	
UB1PA View 1	UB1PA View 2	UB150PA View 1	UB150PA View 2	UB125PA View 1	UB125PA View 2	UB050PA View 1	UB050PA View 2	UB10PA View 1	UB10PA View 2
UB 12 PA		UB 2 PA		UB 2-1/2 PA		UB 3 PA		UB 3-1/2 PA	
UB12PA View 1	UB12PA View 2	UB2PA View 1	UB2PA View 2	UB250PA View 1	UB250PA View 2	UB3PA View 1	UB3PA View 2	UB350PA View 1	UB350PA View 2
UB 3/4 PA		UB 4 PA		UB 5 PA		UB 6 PA		UB 8 PA	
UB075PA View 1	UB075PA View 2	UB4PA View 1	UB4PA View 2	UB5PA View 1	UB5PA View 2	UB6PA View 1	UB6PA View 2	UB8PA View 1	UB8PA View 2



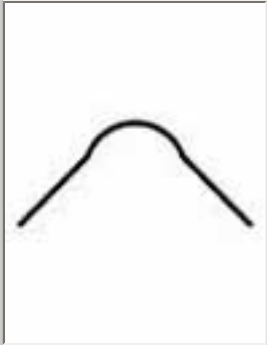
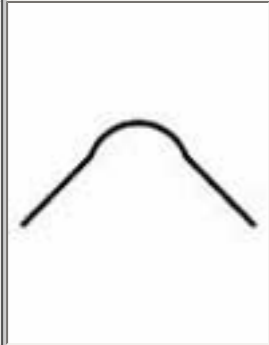
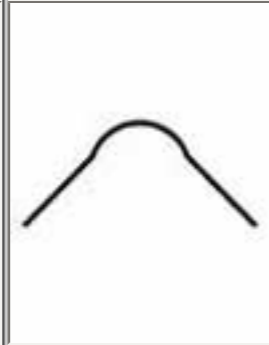
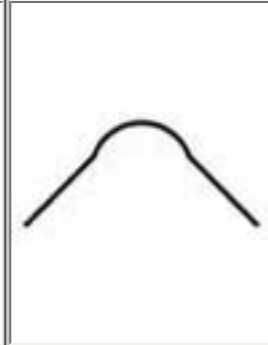
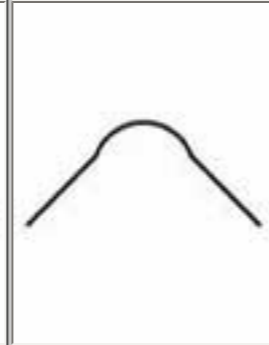
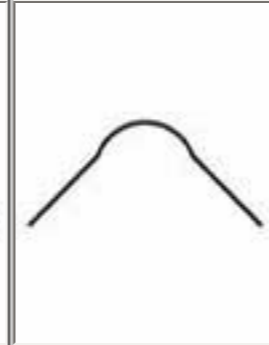
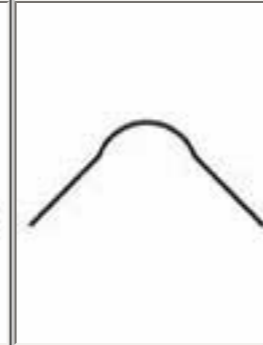
[Index](#)

P2426	P2427	P2428	P2429	P2430	P2431
					





[Index](#)

P2609	P2611	P2612	P2613	P2614	P2615	P2617
						



**P2600**

P2600 + P1111	P2600 + P1112	P2600 + P1117	P2600 + P1118	P2600 + P1119	p2600 + P1120	P2600 + P1121	P2600 + P1124	P2600 + P1126	P2600 + P1426
P2600 + P1430	P2600 + P2025	P2600 + P2026	P2600 + P2027	P2600 + P2028	P2600 + P2029	P2600 + P2030	P2600 + P2031	P2600 + P2032	P2600 + P2033
P2600 + P2034	P2600 + P2035	P2600 + P2037	P2600 + P2038	P2600 + P2039	P2600 + P2040	P2600 + P2042	P2600 + P2043	P2600 + P2044	P2600 + P2046

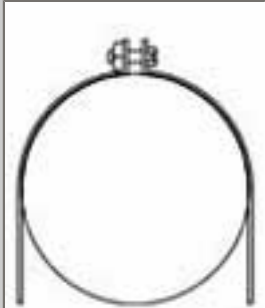
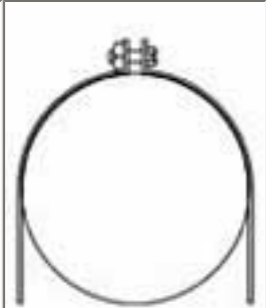
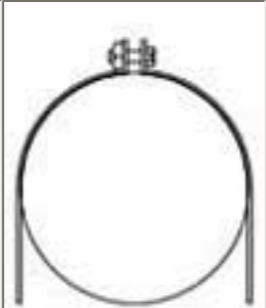
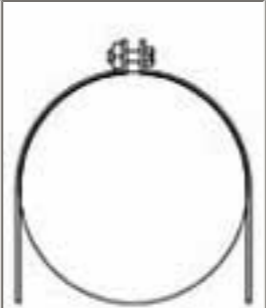
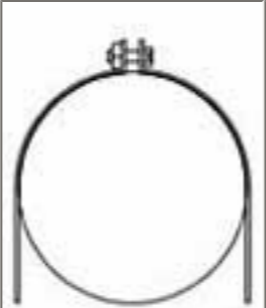
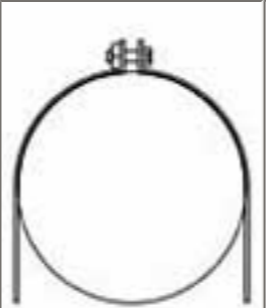
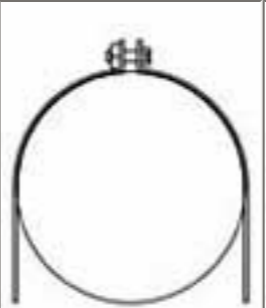
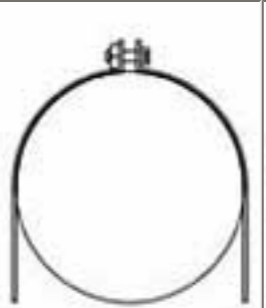
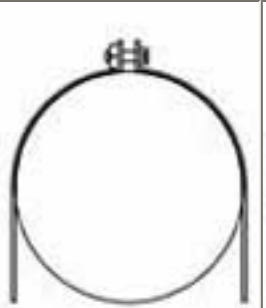
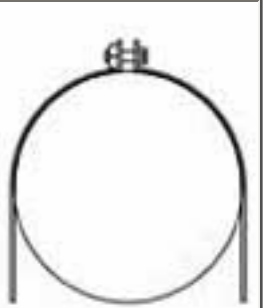


**P2600**

P2600 + P2047	P2600 + P2048	P2600 + P2049	P2600 + P2051	P2600 + P2052	P2600 + P2053	P2600 + P2055	P2600 + P2056	P2600 + P2057	P2600 + P2059
P2600 + P2060	P2600 + P2061	P2600 + P2062	P2600 + P2063	P2600 + P2064	P2600 + P2065	P2600 + P2066	P2600 + P2067	P2600 + P2068	P2600 + P2069
P2600 + P2070	P2600 + P2070-61	P2600 + P2070-62	P2600 + P2070-63	P2600 + P2070-64	P2600 + P2070-66	P2600 + P2070-67	P2600 + P2070-70	P2600 + P2070-71	P2600 + P2070-72

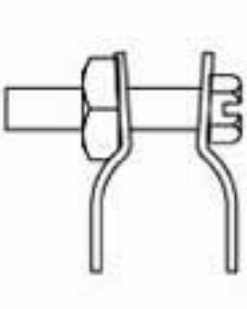
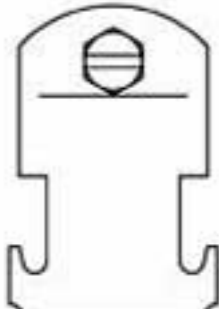
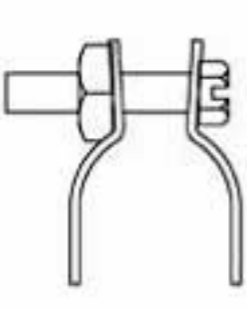
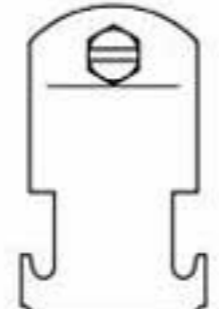
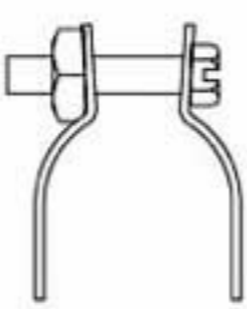
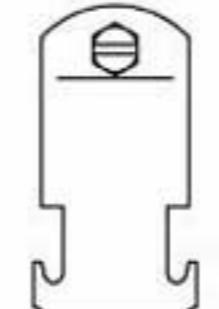
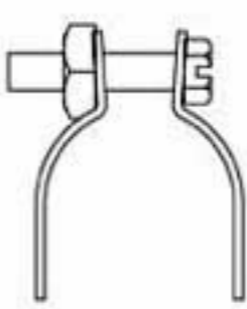
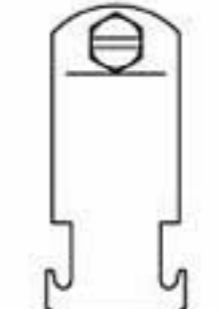
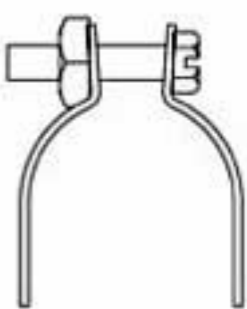
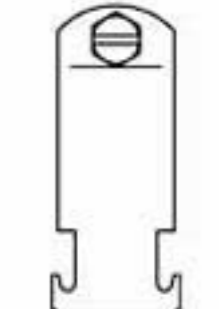
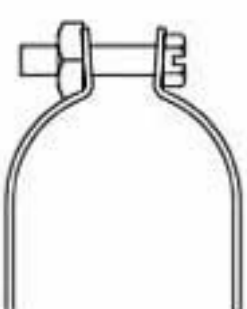
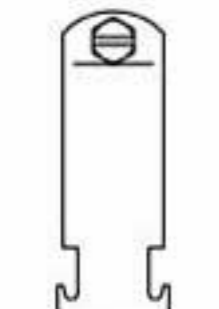


**P2600**

P2600 + P2070-73	P2600 + P2070-74	P2600 + P2070-75	P2600 + P2070-76	P2600 + P2070-77	P2600 + P2070-80	P2600 + P2070-81	P2600 + P2070-82	P2600 + P2070-83	P2600 + P2070-84
									




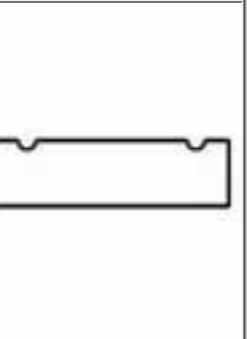
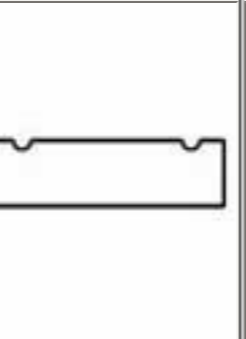
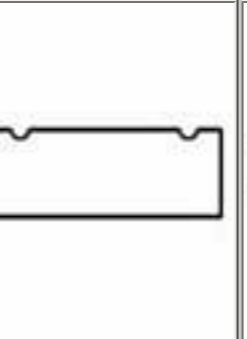
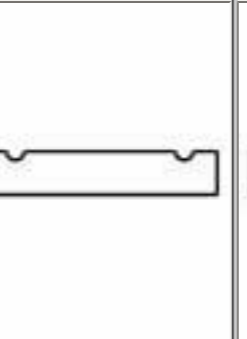
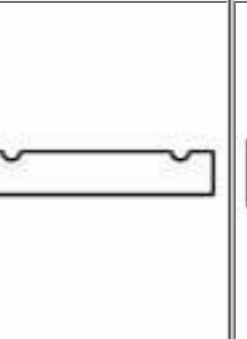
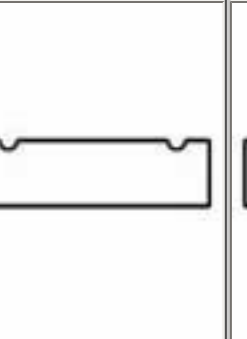
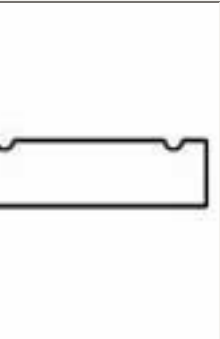
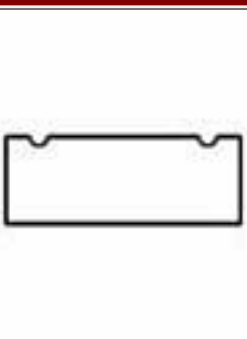
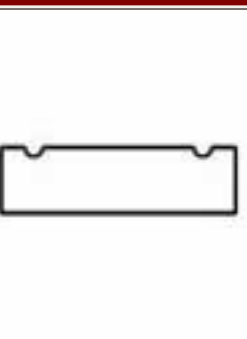
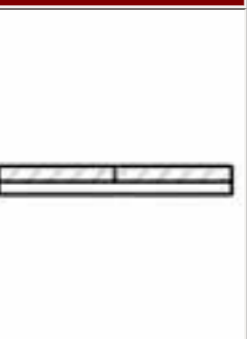

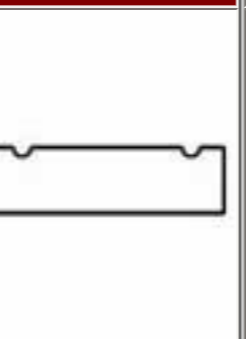
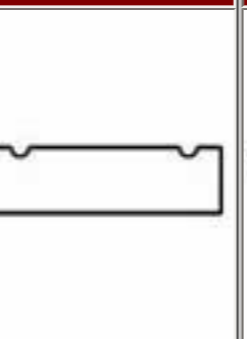
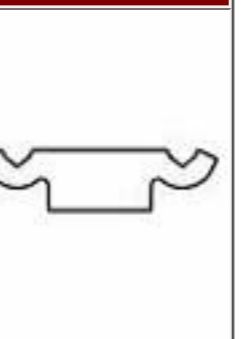


[Index](#)

P1211		P1212		P1213		P1214		P1215	
P1211 View 1	P1211 View 2	P1212 View 1	P1212 View 2	P1213 View 1	P1213 View 2	P1214 View 1	P1214 View 2	P1215 View 1	P1215 View 2
									
P1217									
P1217 View 1	P1217 View 2								
									



[Index](#)

P1006T	P1008T	P1010T	P1012	P1023	P1024	P3006	P3007	P3008	P3009
									
P3010	P3013	P3016	P4010T	P4012	P4023	P4908			
									











[Index](#)

P1006	P1007	P1008	P1009	P1010	P1012S	P1023S	P1024S	P4006	P4007
P4008	P4009	P4010	P4012S	P4023S	P5506	P5507	P5508	P5509	P5510



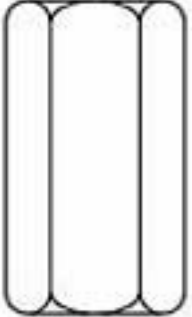








[Index](#)

HCSS025100	HCSS031150	HCSS037150	HCSS037200	HCSS050150	HCSS050200	HCSS062150	HCSS062200
							



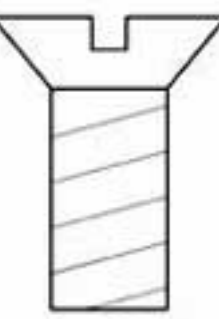
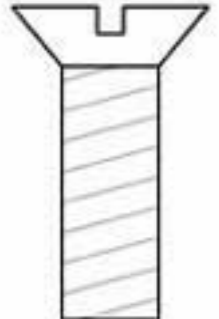
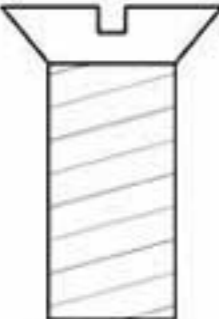


[Index](#)

HRCN025	HRCN031	HRCN037	HRCN044	HRCN050	HRCN062	HRCN075	HRCN087	HRCN100
								



[Index](#)

HFMS025062	HFMS031100	HFMS050100
		



[Index](#)

HFLW025	HFLW031	HFLW037	HFLW050	HFLW062	HFLW075	HFLW087	HFLW100

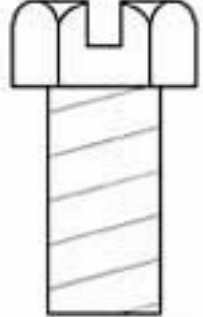








[Index](#)

<b>HHCS025044</b> 	<b>HHCS025075</b> 	<b>HHCS025150</b> 	<b>HHCS031125</b> 	<b>HHCS037075</b> 	<b>HHCS037087</b> 	<b>HHCS037100</b> 	<b>HHCS037125</b> 	<b>HHCS037150</b> 	<b>HHCS037200</b> 
<b>HHCS037225</b> 	<b>HHCS037250</b> 	<b>HHCS050094</b> 	<b>HHCS050119</b> 	<b>HHCS050150</b> 	<b>HHCS050175</b> 	<b>HHCS050200</b> 	<b>HHCS050225</b> 	<b>HHCS050250</b> 	

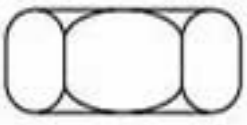





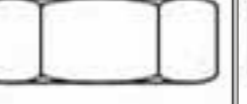



[Index](#)

HSHS025050	HSHS025062	HSHS025075	HSHS031100	HSHS031125	HSHS031150	HSHS037125
						

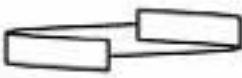
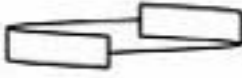
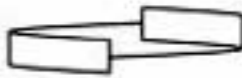
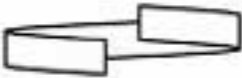
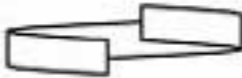
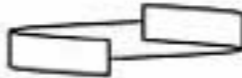
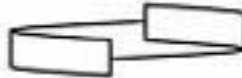



[Index](#)

HHXN025	HHXN031	HHXN037	HHXN050	HHXN062	HHXN075	HHXN087	HHXN100
							

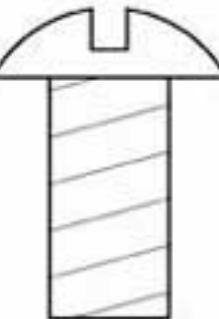

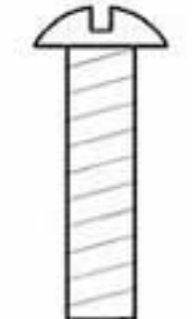


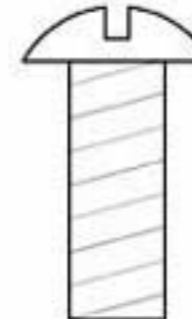

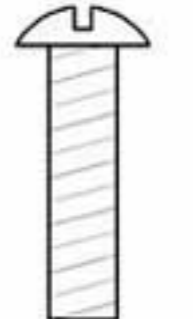


[Index](#)

HLKW025	HLKW031	HLKW037	HLKW050	HLKW062	HLKW075	HLKW087	HLKW100
							



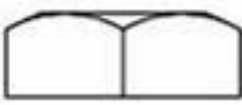







[Index](#)

HRMS025050	HRMS025075	HRMS025100	HRMS031100	HRMS031125	HRMS037100	HRMS037125	HRMS037150
							





[Index](#)

HSQN025	HSQN031	HSQN037	HSQN050	HSQN062	HSQN075	HSQN087	HSQN100
							

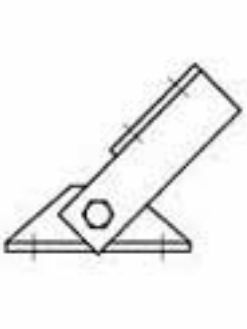
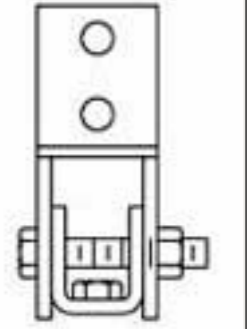
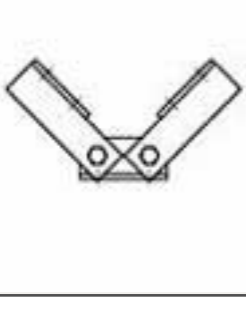


[Index](#)

P2378-1	P2378-2	P2378-3	P2379-1	P2379-2	P2379-3	P2380-1	P2380-2	P2380-3	P2380-4
P2380-5	P2380-6	P2381-2	P2381-3	P2381-4	P2381-5	P2381-6	P2381-7	P2382-2	P2382-3





[Index](#)

P2815		P2815D
P2815 View 1	P2815 View 2	
		



[Index](#)

P1354	P1843
	



[Index](#)

<b>P1186</b> 	<b>P1546</b> 	<b>P2094</b> 	<b>P2095</b> 	<b>P2096</b> 	<b>P2097</b> 	<b>P2098</b> 	<b>P2099</b> 	<b>P2100</b> 	<b>P2101</b> 
<b>P2102</b> 	<b>P2103</b> 	<b>P2104</b> 	<b>P2105</b> 	<b>P2106</b> 	<b>P2107</b> 	<b>P2108</b> 	<b>P2109</b> 	<b>P2110</b> 	<b>P2260</b> 
<b>P2261</b> 	<b>P2262</b> 	<b>P2263</b> 	<b>P2264</b> 	<b>P2265</b> 	<b>P2266</b> 	<b>P2267</b> 	<b>P2268</b> 	<b>P2269</b> 	<b>P2270</b> 



<b>M29</b> 	<b>P1271S</b> 	<b>P1272S</b> 	<b>P1379S</b> 	<b>P1386</b> 	<b>P1648S</b> 	<b>P1649AS</b> 	<b>P1649S</b> 	<b>P1650AS</b> 	<b>P1650S</b> 				
<b>P1651AS</b> 	<b>P1651S</b> 	<b>P1652S</b> 	<b>P1653S</b> 	<b>P1796S</b> 	<b>P1985S</b> 	<b>P2398S</b> 	<b>P2401S</b> 	<b>P2403S</b> 					
<b>P2674</b> P2674 View 1 		<b>P2675</b> 		<b>P2676</b> 		<b>P2677</b> P2677 View 1 		<b>P2677</b> P2677 View 2 		<b>P2679-4</b> 	<b>P2679-6</b> 	<b>P2679-8</b> 	<b>P2682</b> 



<b>P2784-1</b> 	<b>P2784-2</b> 	<b>P2784-3</b> 	<b>P2785</b> 	<b>P2786</b> 	<b>P2787</b> 	<b>P2800</b> 	<b>P2824</b> 	<b>P2867</b> 	<b>P2867A</b> 
<b>P2868</b> 	<b>P2868A</b> 	<b>P2894-25</b> 	<b>P2894-37</b> 	<b>P2894-50</b> 	<b>P2895-37</b> 	<b>P2895-50</b> 	<b>P2895-62</b> 	<b>P2895-75</b> 	<b>P2896-37</b> 
<b>P2896-50</b> 	<b>P2896-62</b> 	<b>P2897</b> 	<b>P2898-37</b> 	<b>P2898-50</b> 	<b>P2898-62</b> 	<b>P2898-75</b> 	<b>P2898-87</b> 	<b>P2899-37</b> 	<b>P2899-50</b> 



P2899-62	P2899-75	P3087		PFL037	PFL037T	PFL050	PFL050T	PLF3037	PLF3050
		P3087 View 1	P3087 View 2						





[Index](#)

P2452		P2458-18		P2458-24		P2458-30		P2458-36		P2459-36		P2459-42	
										P2459-36 View 1	P2459-36 View 2	P2459-42 View 1	P2459-42 View 2
P2459-48		P2459-54		P2459-60		P2459-72		P2459-84					
P2459-48 View 1	P2459-48 View 2	P2459-54 View 1	P2459-54 View 2	P2459-60 View 1	P2459-60 View 2	P2459-72 View 1	P2459-72 View 2	P2459-84 View 1	P2459-84 View 2				
P2459-96													
P2459-96 View 1	P2459-96 View 2												



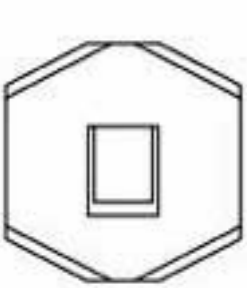
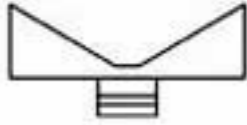
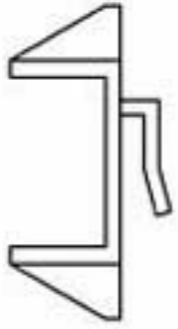
<b>P1075</b> 	<b>P1593</b> 	<b>P1769</b> 	<b>P1771</b> 	<b>P1773</b> 	<b>P1775</b> 	<b>P1777</b> 	<b>P2231</b> 	<b>P2231A</b> 	<b>P2232</b> 
<b>P2232A</b> 	<b>P2233</b> 	<b>P2233A</b> 	<b>P2234</b> 	<b>P2234A</b> 	<b>P2491</b> 	<b>P2492</b> 	<b>P2493</b> 	<b>P2494</b> 	<b>P2495</b> 
<b>P2496</b> 	<b>P2497</b> 	<b>P2498</b> 	<b>P2499</b> 	<b>P2500</b> 	<b>P2501</b> 	<b>P2502</b> 	<b>P2503</b> 	<b>P2513</b> 	<b>P2513A</b> 



P2514	P2514A	P2515	P2515A	P2516	P2516A	P2542	P2543	P2544	P2545
P2546	P2547	P2548	P2549	P2550	P2551	P2944	P2945	P2946	P2947



[Index](#)

P2485		
P2485 View 1	P2485 View 2	P2485 View 3
		



P1028		P1031			P1036		P1062		
P1028 View 1	P1028 View 2	P1031 View 1	P1031 View 2	P1031 View 3	P1036 View 1	P1036 View 2	P1062 View 1	P1062 View 2	
P1063		P1064		P1065			P1066		
P1063 View 1	P1063 View 2	P1064 View 1	P1064 View 2	P1065 View 1	P1065 View 2	P1065 View 3	P1066 View 1	P1066 View 2	P1066 View 3
P1067			P1334		P1356				
P1067 View 1	P1067 View 2	P1067 View 3	P1334 View 1	P1334 View 2	P1356 View 1	P1356 View 2	P1356 View 3		



P1358			P1380			P1380A		
P1358 View 1	P1358 View2	P1358 View 3	P1380 View 1	P1380 View 2	P1380 View 3	P1380 A View 1	P1380 A View 2	P1380 A View 3
P1726			P1873		P1924			
P1726 View 1	P1726 View 2	P1726 View 3	P1873 View 1	P1873 View 2	P1924 View 1	P1924 View 2	P1924 View 3	
P1925			P1941			P1950		
P1925 View 1	P1925 View 2	P1925 View 3	P1941 View 1	P1941 View 2	P1941 View 3	P1950 View 1	P1950 View 2	P1950 View 3



P1953			P1959			P1960		
P1953 View 1	P1953 View 2	P1953 View 3	P1959 View 1	P1959 View 2	P1959 View 3	P1960 View 1	P1960 View 2	P1960 View 3
P1961			P1962			P1964		
P1961 View 1	P1961 View 2	P1961 View 3	P1962 View 1	P1962 View 2	P1962 View 3	P1964 View 1	P1964 View 2	
P2079			P2324			P2325		
P2079 View 1	P2079 View 2	P2079 View 3	P2324 View 1	P2324 View 2	P2324 View 3	P2325 View 1	P2325 View 2	P2325 View 3



P2471		P2490		P2862			P2863		
P2471 View 1	P2471 View 2	P2490 View 1	P2490 View 2	P2862 View 1	P2862 View 2	P2862 View 3	P2863 View 1	P2863 View 2	P2863 View 3
P2864									
P2864 View 1	P2864 View 2	P2864 View 3							





P1026			P1029			P1033		
P1026 View 1	P1026 View 2	P1026 View 3	P1029 View 1	P1029 View 2	P1029 View 3	P1033 View 1	P1033 View 2	P1033 View 3
P1034			P1035			P1037		
P1034 View 1	P1034 View 2	P1034 View 3	P1035 View 1	P1035 View 2	P1035 View 3	P1037 View 1	P1037 View 2	P1037 View 3
P1038			P1068			P1130		
P1038 View 1	P1038 View 2	P1038 View 3	P1068 View 1	P1068 View 2	P1068 View 3	P1130 View 1	P1130 View 2	P1130 View 3



P1131			P1281			P1282		
P1131 View 1	P1131 View 2	P1131 View 3	P1281 View 1	P1281 View 2	P1281 View 3	P1282 View 1	P1282 View 2	P1282 View 3
P1283			P1290			P1291		
P1283 View 1	P1283 View 2	P1283 View 3	P1290 View 1	P1290 View 2	P1290 View 3	P1291 View 1	P1291 View 2	P1291 View 3
P1315			P1325			P1326		
P1315 View 1	P1315 View 2	P1315 View 3	P1325 View 1	P1325 View 2	P1325 View 3	P1326 View 1	P1326 View 2	P1326 View 3



P1346			P1357			P1359			
P1346 View 1	P1346 View 2	P1346 View 3	P1357 View 1	P1357 View 2	P1357 View 3	P1359 View 1	P1359 View 2	P1359 View 3	
P1381			P1382			P1458			
P1381 View 1	P1381 View 2	P1381 View 3	P1382 View 1	P1382 View 2	P1382 View 3	P1458 View 1	P1458 View 2	P1458 View 3	
P1498			P1499			P1538A	P1538B	P1538C	P1538D
P1498 View 1	P1498 View 2	P1498 View 3	P1499 View 1	P1499 View 2	P1499 View 3				



P1579			P1713			P1723		
P1579 View 1	P1579 View 2	P1579 View 3	P1713 View 1	P1713 View 2	P1713 View 3	P1723 View 1	P1723 View 2	P1723 View 3
P1727			P1728			P1747		
P1727 View 1	P1727 View 2	P1727 View 3	P1728 View 1	P1728 View 2	P1728 View 3	P1747 View 1	P1747 View 2	P1747 View 3
P1750			P1821			P1822		
P1750 View 1	P1750 View 2	P1750 View 3	P1821 View 1	P1821 View 2	P1821 View 3	P1822 View 1	P1822 View 2	P1822 View 3



P1823			P1934			P1956		
P1823 View 1	P1823 View 2	P1823 View 3	P1934 View 1	P1934 View 2	P1934 View 3	P1956 View 1	P1956 View 2	P1956 View 3
P1957			P2235			P2484		
P1957 View 1	P1957 View 2	P1957 View 3	P2235 View 1	P2235 View 2	P2235 View 3	P2484 View 1	P2484 View 2	P2484 View 3
P2484W			P2626					
P2484W View 1	P2484W View 2	P2484W View 3	P2626 View 1	P2626 View 2				



[Index](#)

<b>P1887</b>		<b>P2072</b>			<b>P2072A</b>			
P1887 View 1	P1887 View 2	P2072 View 1	P2072 View 2	P2072 View 3	P2072A View 1	P2072A View 2	P2072A View 3	
<b>P2072ASQ</b>			<b>P2072SQ</b>			<b>P2073</b>		
P2072A SQ View 1	P2072A SQ View 2	P2072A SQ View 3	P2072 SQ View 1	P2072 SQ View 2	P2072 SQ View 3	P2073 View 1	P2073 View 2	P2073 View 3
<b>P2073A</b>			<b>P2941</b>			<b>P2942</b>		
P2073A View 1	P2073A View 2	P2073A View 3	P2941 View 1	P2941 View 2	P2941 View 3	P2942 View 1	P2942 View 2	P2942 View 3



[Index](#)

P1201		P1202		P1203		P1204		P1205		P1206		P1207		P1208		P1944	
P2354		P2355		P2454		P2470-100		P2470-50		P2470-75		P2655					
P2354 View 1	P2354 View 2	P2355 View 1	P2355 View 2	P2454 View 1	P2454 View 2												



[Index](#)

P1834		P1834A		P2749		P2749N		P2750	
P1834 View 1	P1834 View 2	P1834 A View 1	P1834 A View 2	P2749 View 1	P2749 View 2	P2749 N View 1	P2749 N View 2	P2750 View 1	P2750 View 2
P2750N		P2751		P2751N		P2949		P2950	
P2750 N View 1	P2750 N View 2	P2751 View 1	P2751 View 2	P2751 N View 1	P2751 N View 2	P2949 View 1	P2949 View 2	P2950 View 1	P2950 View 2





<b>P1043A</b> 	<b>P1044</b> 	<b>P1047</b> 	<b>P1048</b> 	<b>P1049</b> 	<b>P1050</b> 	<b>P1320</b> 	<b>P1363A</b> 	<b>P1363B</b> 	<b>P1363C</b> 
<b>P1363D</b> 	<b>P1363E</b> 	<b>P1376</b> P1376 View 1  P1376 View 2 		<b>P1376A</b> P1376A View 1  P1376A View 2 		<b>P1377</b> P1377 View 1  P1377 View 2 		<b>P1383</b> 	<b>P1455</b> 
<b>P1732</b> 	<b>P1737</b> 	<b>P1973</b> P1973 View 1  P1973 View 2 		<b>P2237</b> 	<b>P2326</b> P2326 View 1  P2326 View 2 		<b>P2328</b> P2328 View 1  P2328 View 2 		



P2329		P2473	P3047	P4043	P4047	P4376		P4376A	
P2329 View 1	P2329 View 2					P4376 View 1	P4376 View 2	P4376A View 1	P4376A View 2
P4377		P5077		P5543	P5547	P5577			
P4377 View 1	P4377 View 2	P5077 View 1	P5077 View 2			P5577 View 1	P5577 View 2		



<b>P1046A</b>		<b>P2223</b>		<b>P2224</b>		<b>P2225</b>		<b>P2226</b>	
	P2223 View 1	P2223 View 2	P2224 View 1	P2224 View 2	P2225 View 1	P2225 View 2	P2226 View 1	P2226 View 2	
<b>P2227</b>		<b>P2228</b>		<b>P2229</b>		<b>P2230</b>		<b>P2245</b>	
P2227 View 1	P2227 View 2	P2228 View 1	P2228 View 2	P2229 View 1	P2229 View 2	P2230 View 1	P2230 View 2	P2245 View 1	P2245 View 2
<b>P2341</b>		<b>P2343</b>		<b>P2344</b>		<b>P2345</b>		<b>P2346</b>	
P2341 View 1	P2341 View 2	P2343 View 1	P2343 View 2	P2344 View 1	P2344 View 2	P2345 View 1	P2345 View 2	P2346 View 1	P2346 View 2



P2347		P2348		P2453			P2472	
P2347 View 1	P2347 View 2	P2348 View 1	P2348 View 2	P2453 View 1	P2453 View 2	P2453 View 3	P2472 View 1	P2472 View 2

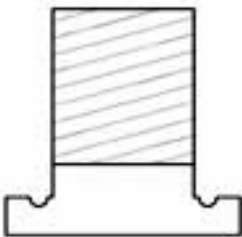
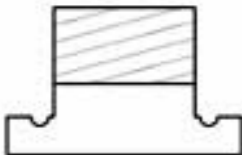


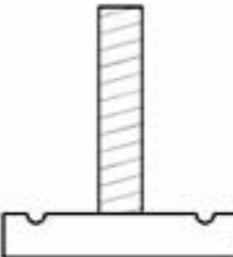


[Index](#)

P1045	P1347	P1453	P1454			P1479A	P1479B	P1479C	P1479D
			P1454 View 1 	P1454 View 2 	P1454 View 3 				
P1479E	P1730	P1734	P1736	P2360	P2469	P3045	P3345	P4045	P5545
P5560									





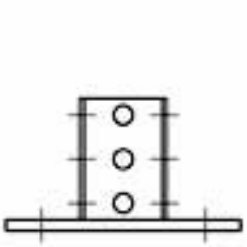
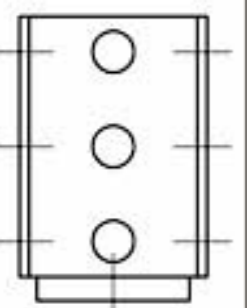



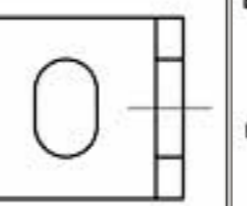






[Index](#)

P2540	P2540A	P2552	P2602	P3116-125
				







[Index](#)

P2820			P2823			P2920	P2921	P2922	P2923
P2820 View 1	P2820 View 2	P2820 View 3	P2823 View 1	P2823 View 2	P2823 View 3				
									
P2924	P2928	P2929	P2930						
									



[Index](#)

P1753FG	P1753P0	P1754FG	P1754P0
			



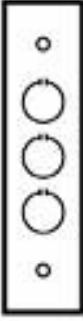
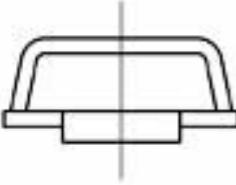

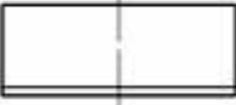




[Index](#)

P2534-50	P2534-75
A technical drawing of a conduit swing fitting, model P2534-50. It shows a semi-circular fitting with a central circular hole. The fitting is shown in a perspective view, with a horizontal line indicating the base of the fitting. There are small circles and lines indicating the mounting points and the central hole.	A technical drawing of a conduit swing fitting, model P2534-75. It shows a semi-circular fitting with a central circular hole. The fitting is shown in a perspective view, with a horizontal line indicating the base of the fitting. There are small circles and lines indicating the mounting points and the central hole.



[Index](#)

P2522	P2535		P2536		P3521-50
	P2535 View 1 	P2535 View 2 	P2536 View 1 	P2536 View 2 	



[Index](#)

P1180W			P1280W			P2280W		
P1180W View 1	P1180W View 2	P1180W View 3	P1280W View 1	P1280W View 2	P1280W View 3	P2280W View 1	P2280W View 2	P2280W View 3
P3280W			P4280W			P5280W		
P3280W View 1	P3280W View 2	P3280W View 3	P4280W View 1	P4280W View 2	P4280W View 3	P5280W View 1	P5280W View 2	P5280W View 3
P5580W								
P5580W View 1	P5580W View 2	P5580W View 3						








[Index](#)

P2521-100	P2521-50	P2521-75	P5021-100	P5021-50	P5021-75	P5521-100	P5521-50	P5521-75



[Index](#)

P2537	P2539	P3539	P5537	P5539
				

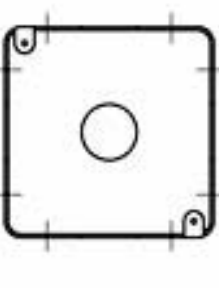
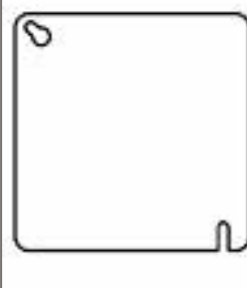
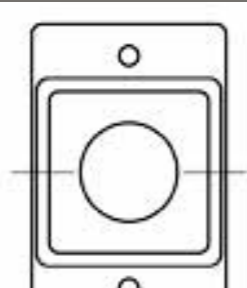
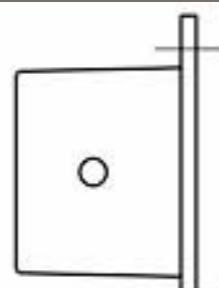
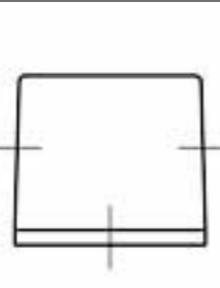


[Index](#)

P2900		P2901		P2902		P2903		P2904	
P2900 View 1	P2900 View 2	P2901 View 1	P2901 View 2	P2902 View 1	P2902 View 2	P2903 View 1	P2903 View 2	P2904 View 1	P2904 View 2



[Index](#)

P2801	P2802	P2803		
		P2803 View 1 	P2803 View 2 	P2803 View 3 





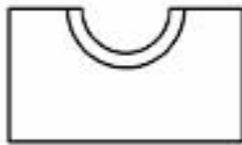


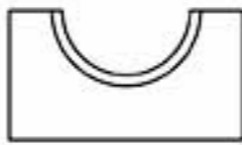
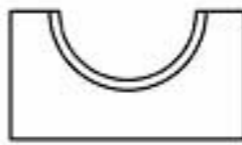
[Index](#)

<b>P1690+P1113E</b>	<b>P1691+P1115E</b>	<b>P1692+P1117E</b>	<b>P1693+P1118E</b>	<b>P1694+P1119E</b>	<b>P1695+P1120E</b>	<b>P1696+P1121E</b>	<b>P1697+P1123E</b>	<b>P2645A</b>	<b>P2645B</b>
<b>P2645C</b>	<b>P2645D</b>	<b>P2645E</b>	<b>P2645F</b>	<b>P2645G</b>					





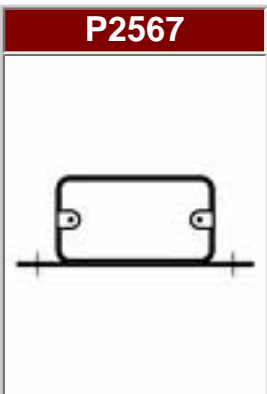
[Index](#)

P2649A	P2649B	P2649C	P2649D	P2649E	P2649F	P2649G
						

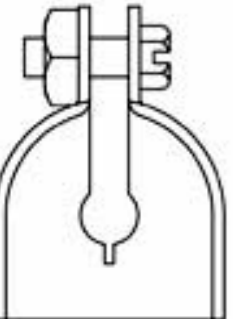
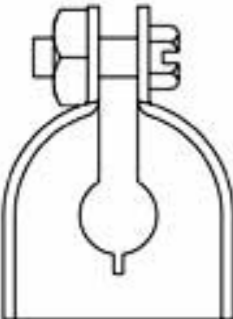
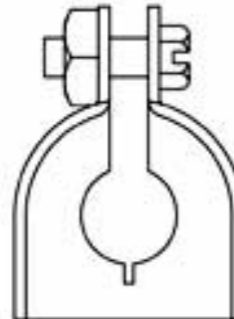
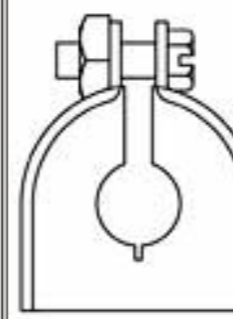
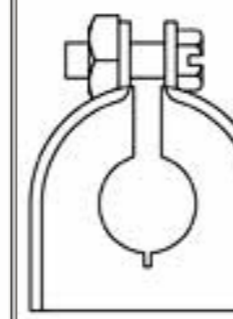
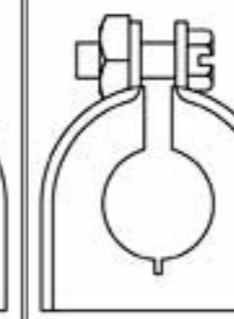
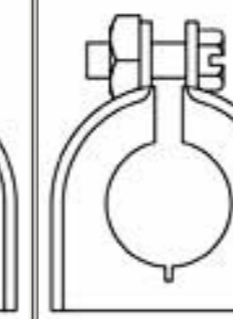
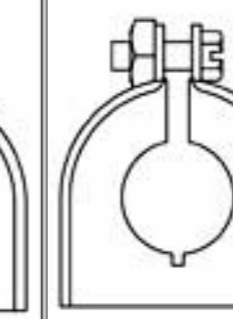
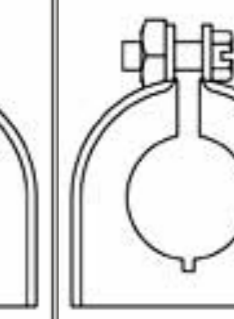
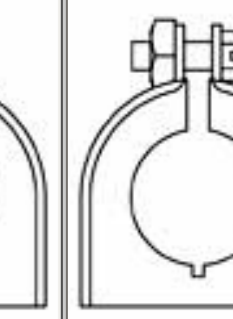
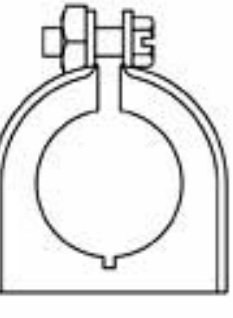
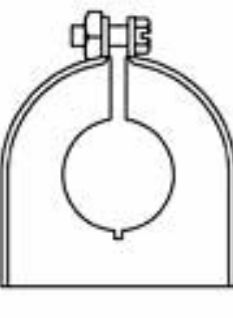
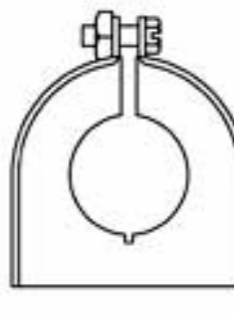
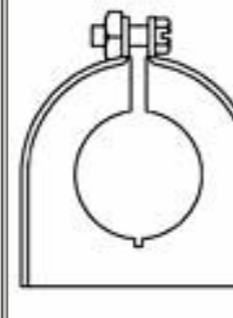
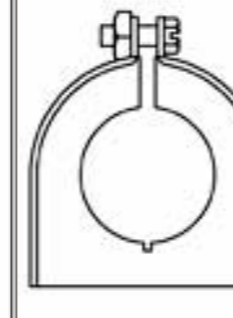
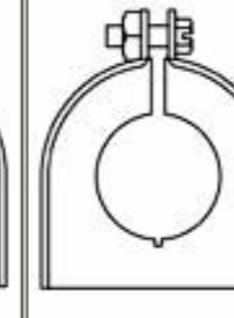
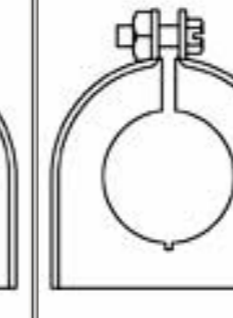
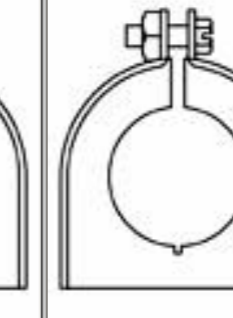
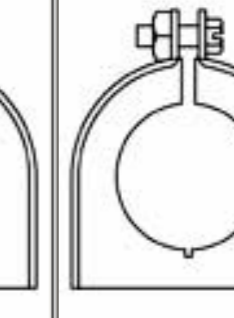
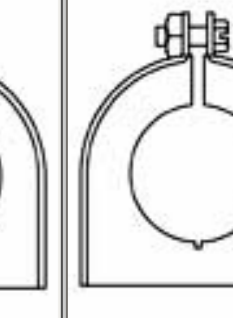
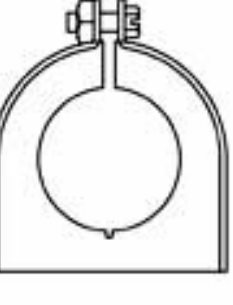
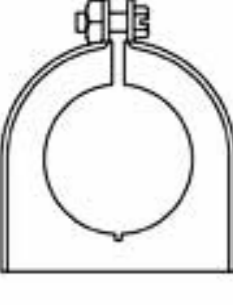
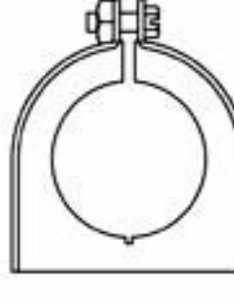
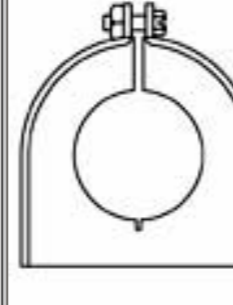
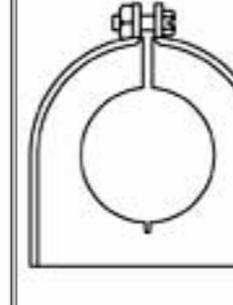
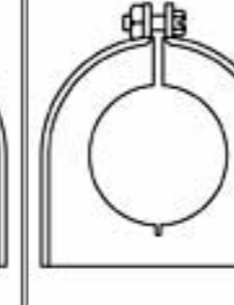
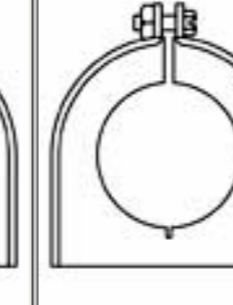
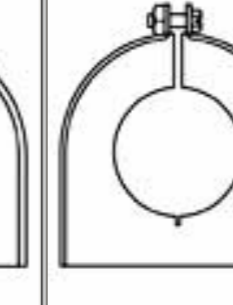
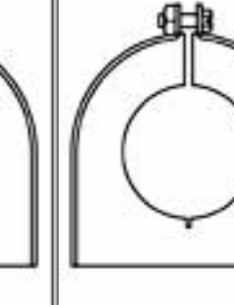
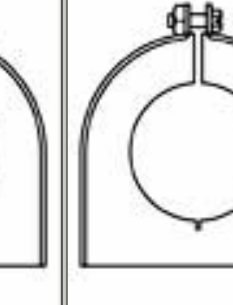


[Index](#)

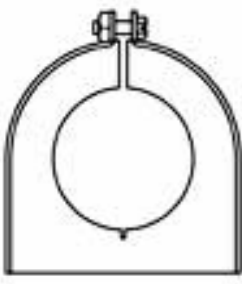
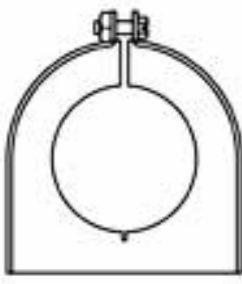
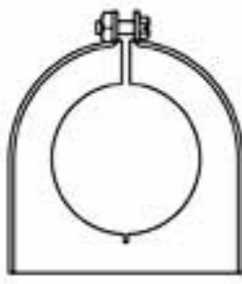
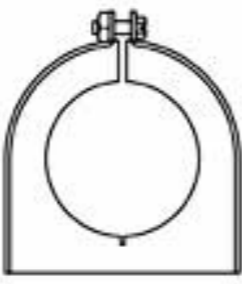
P2567





<b>P1787A</b> 	<b>P1787B</b> 	<b>P1787C</b> 	<b>P1788</b> 	<b>P1788A</b> 	<b>P1788B</b> 	<b>P1788C</b> 	<b>P1789</b> 	<b>P1789A</b> 	<b>P1789B</b> 
<b>P1789C</b> 	<b>P1790</b> 	<b>P1790A</b> 	<b>P1790B</b> 	<b>P1790C</b> 	<b>P1791</b> 	<b>P1791A</b> 	<b>P1791B</b> 	<b>P1791C</b> 	<b>P1792</b> 
<b>P1792A</b> 	<b>P1792B</b> 	<b>P1792C</b> 	<b>P1793</b> 	<b>P1793A</b> 	<b>P1793B</b> 	<b>P1793C</b> 	<b>P1794</b> 	<b>P1794A</b> 	<b>P1794B</b> 

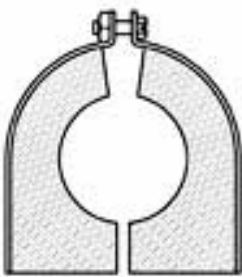
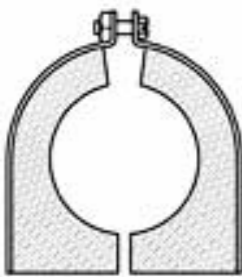
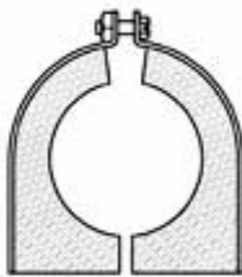
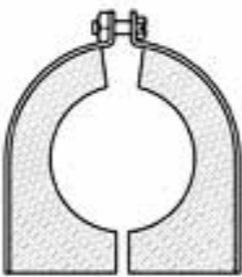


P1794C	P1795	P1795A	P1795B
			



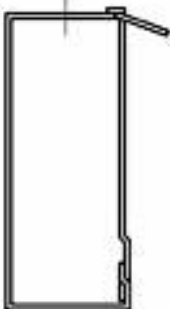
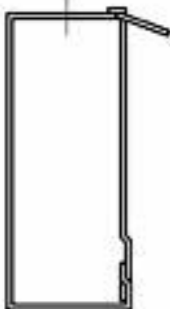

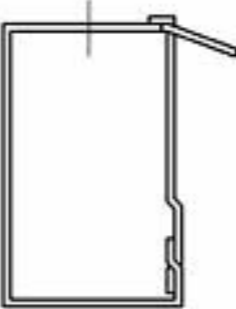
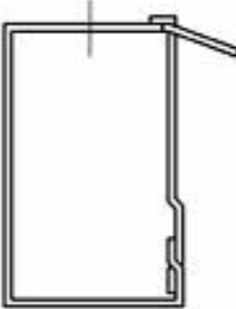
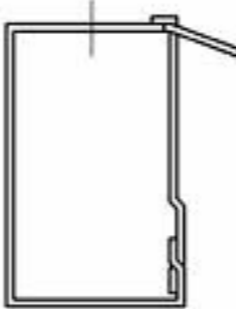
<b>P1787APO</b> 	<b>P1787BPO</b> 	<b>P1787CP</b> 	<b>P1788APO</b> 	<b>P1788BPO</b> 	<b>P1788CPO</b> 	<b>P1788PO</b> 	<b>P1789APO</b> 	<b>P1789BP</b> 	<b>P1789CPO</b> 
<b>P1789PO</b> 	<b>P1790APO</b> 	<b>P1790BPO</b> 	<b>P1790CPO</b> 	<b>P1790PO</b> 	<b>P1791APO</b> 	<b>P1791BPO</b> 	<b>P1791CPO</b> 	<b>P1791PO</b> 	<b>P1792APO</b> 
<b>P1792BPO</b> 	<b>P1792CPO</b> 	<b>P1792PO</b> 	<b>P1793APO</b> 	<b>P1793BPO</b> 	<b>P1793CPO</b> 	<b>P1793PO</b> 	<b>P1794APO</b> 	<b>P1794BPO</b> 	<b>P1794CP</b> 



P1794PO	P1795APO	P1795BPO	P1795PO
			



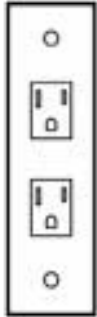
[Index](#)

P2755	P2756	P2757	P2855	P2856	P2857
					



[Index](#)

**P2557**

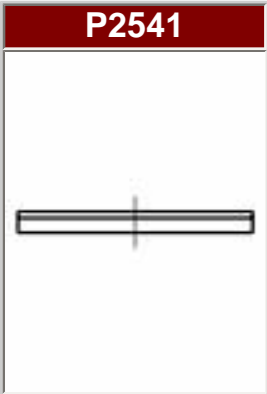











[Index](#)

P2541



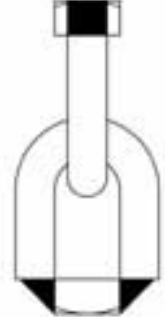




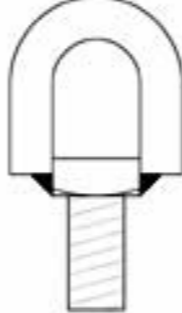


[Index](#)

P3922	P3923	P3924	P3925	P3926
 A technical drawing of a splice fitting with four terminals. The terminals are arranged in two pairs, one pair on each side of the fitting. Each terminal is represented by a circle with a vertical line through it, indicating a screw terminal.	 A technical drawing of a splice fitting with four terminals. The terminals are arranged in two pairs, one pair on each side of the fitting. Each terminal is represented by a circle with a vertical line through it, indicating a screw terminal.	 A technical drawing of a splice fitting with four terminals. The terminals are arranged in two pairs, one pair on each side of the fitting. Each terminal is represented by a circle with a vertical line through it, indicating a screw terminal.	 A technical drawing of a splice fitting with four terminals. The terminals are arranged in two pairs, one pair on each side of the fitting. Each terminal is represented by a circle with a vertical line through it, indicating a screw terminal.	 A technical drawing of a splice fitting with four terminals. The terminals are arranged in two pairs, one pair on each side of the fitting. Each terminal is represented by a circle with a vertical line through it, indicating a screw terminal.



[Index](#)

M2037	M2050	M2137	M2150	M2250	M2350
					



[Index](#)

P1703	P1704	P2407	P3380	P3703	P3704	P4703



[Index](#)

**P3754**

P3754 View 1

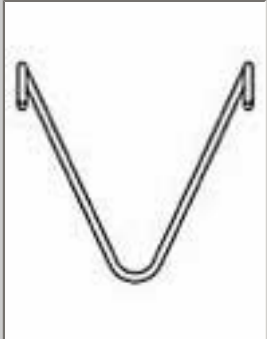

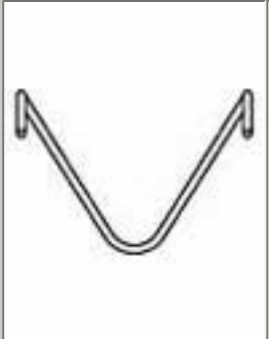

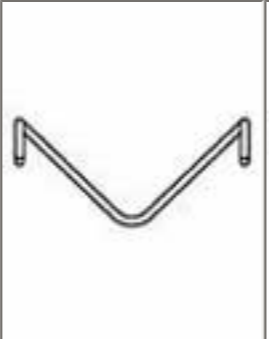



P3754 View 2









[Index](#)

P2865-10		P2865-15		P2865-20	
P2865-10 View 1	P2865-10 View 2	P2865-15 View 1	P2865-15 View 2	P2865-20 View 1	P2865-20 View 2
					



[Index](#)

P3663		P4663	
P3663 View 1	P3663 View 2	P4663 View 1	P4663 View 2
			



[Index](#)

<b>P3349</b>	<b>P3350</b>	<b>P3351</b>	<b>P3352</b>	<b>P3353</b>	<b>P3354</b>	<b>P3355</b>	<b>P3356</b>	<b>P3357</b>	<b>P3357A</b>
<b>P3358</b>	<b>P3359</b>	<b>P3360</b>	<b>P3361</b>	<b>P3362</b>	<b>P3363</b>	<b>P3364</b>	<b>P3365</b>	<b>P3366</b>	<b>P3367</b>
<b>P3368</b>	<b>P3369</b>	<b>P3370</b>							





[Index](#)

M24		M26		P3245	
M24 View 1	M24 View 2	M26 View 1	M26 View 2	P3245 View 1	P3245 View 2


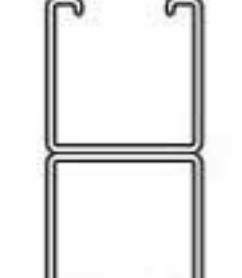
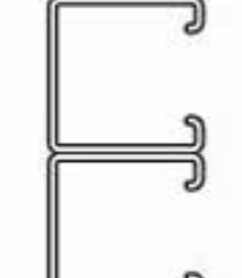
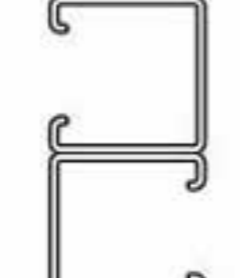
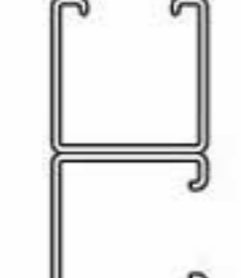
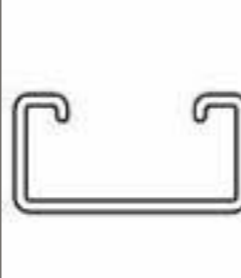
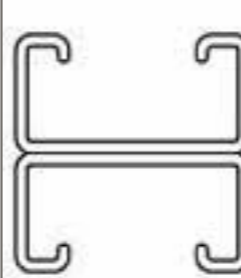


[Index](#)

P3165		P3170		P3200	P3249	P3250	P3251	P3252	P3253
P3165 View 1	P3165 View 2	P3170 View 1	P3170 View 2						
P3254	P3255	P3256	P3257	P3257A	P3258	P3259	P3260	P3261	P3262
P3263	P3264	P3265	P3266	P3267	P3268	P3269	P3270		

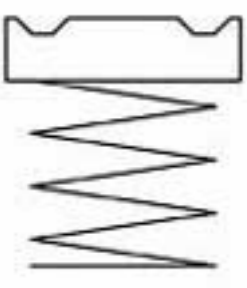



[Index](#)

P6000	P6001	P6001A	P6001B	P6001C	P7000	P7001
						



[Index](#)

P6006	P7006
 Technical drawing of the P6006 channel nut and spring. The top part shows a cross-section of the channel nut with a wide, flat top and a narrow bottom. Below it is a drawing of a spring with a zigzag pattern.	 Technical drawing of the P7006 channel nut and spring. The top part shows a cross-section of the channel nut with a wide, flat top and a narrow bottom. Below it is a drawing of a spring with a zigzag pattern.



[Index](#)

P6184P





[Index](#)

P6280			P7280		
P6280 View 1	P6280 View 2	P6280 View 3	P7280 View 1	P7280 View 2	P7280 View 3



[Index](#)

P6186	P6546	P7097	P7098	P7100	P7101	P7108	P7109	P7110




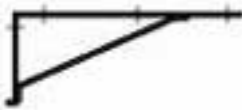

[Index](#)

P6379S	P6386
A technical drawing of a beam clamp (P6379S) showing a vertical threaded rod with a nut at the top, passing through a horizontal beam. The beam has a curved end on the left side. A small crosshair is visible on the left end of the beam.	A technical drawing of a beam clamp (P6386) showing a horizontal beam with a vertical rod passing through its center. The beam has a stepped end on the left and a bent end on the right. A small crosshair is visible on the vertical rod.





[Index](#)

P6127	P6128	P6129
 A technical drawing of a triangular bracket fitting. It consists of a vertical leg on the left, a horizontal top leg, and a diagonal leg connecting the bottom of the vertical leg to the right end of the horizontal leg. There are small tick marks on the horizontal leg indicating connection points.	 A technical drawing of a triangular bracket fitting, similar to P6127 but with a different diagonal leg angle. It has a vertical leg on the left, a horizontal top leg, and a diagonal leg connecting the bottom of the vertical leg to the right end of the horizontal leg. There are small tick marks on the horizontal leg.	 A technical drawing of a triangular bracket fitting, similar to P6127 but with a different diagonal leg angle. It has a vertical leg on the left, a horizontal top leg, and a diagonal leg connecting the bottom of the vertical leg to the right end of the horizontal leg. There are small tick marks on the horizontal leg.



P6028		P6031			P6036		P6062	
P6028 View 1	P6028 View 2	P6031 View 1	P6031 View 2	P6031 View 3	P6036 View 1	P6036 View 2	P6062 View 1	P6062 View 2
P6065		P6066		P6067		P6334		
P6065 View 1	P6065 View 2	P6066 View 1	P6066 View 2	P6067 View 1	P6067 View 2	P6334 View 1	P6334 View 2	
P6356A			P6358A			P6380		
P6356A View 1	P6356A View 2	P6356A View 3	P6358A View 1	P6358A View 2	P6358A View 3	P6380 View 1	P6380 View 2	P6380 View 3



P6380A			P6726A			P6924		P6925	
P6380A View 1	P6380A View 2	P6380A View 3	P6726A View 1	P6726A View 2	P6726A View 3	P6924 View 1	P6924 View 2	P6925 View 1	P6925 View 2
P6962			P7324		P7325				
P6962 View 1	P6962 View 2	P6962 View 3	P7324 View 1	P7324 View 2	P7325 View 1	P7325 View 2			



P6026			P6033			P6037		
P6026 View 1	P6026 View 2	P6026 View 3	P6033 View 1	P6033 View 2	P6033 View 3	P6037 View 1	P6037 View 2	P6037 View 3
P6038			P6068			P6069		
P6038 View 1	P6038 View 2	P6038 View 3	P6068 View 1	P6068 View 2	P6068 View 3	P6069 View 1	P6069 View 2	P6069 View 3
P6130			P6281			P6282		
P6130 View 1	P6130 View 2	P6130 View 3	P6281 View 1	P6281 View 2	P6281 View 3	P6282 View 1	P6282 View 2	P6282 View 3



P6283			P6290			P6291		
P6283 View 1	P6283 View 2	P6283 View 3	P6290 View 1	P6290 View 2	P6290 View 3	P6291 View 1	P6291 View 2	P6291 View 3
P6325			P6326			P6331		
P6325 View 1	P6325 View 2	P6325 View 3	P6326 View 1	P6326 View 2	P6326 View 3	P6331 View 1	P6331 View 2	P6331 View 3
P6332			P6346			P6357		
P6332 View 1	P6332 View 2	P6332 View 3	P6346 View 1	P6346 View 2	P6346 View 3	P6357 View 1	P6357 View 2	P6357 View 3



P6359			P6381			P6382		
P6359 View 1	P6359 View 2	P6359 View 3	P6381 View 1	P6381 View 2	P6381 View 3	P6382 View 1	P6382 View 2	P6382 View 3
P6458			P6579			P6728		
P6458 View 1	P6458 View 2	P6458 View 3	P6579 View 1	P6579 View 2	P6579 View 3	P6728 View 1	P6728 View 2	P6728 View 3
P6887			P6917			P6918		
P6887 View 1	P6887 View 2	P6887 View 3	P6917 View 1	P6917 View 2	P6917 View 3	P6918 View 1	P6918 View 2	P6918 View 3



**P7235**

P7235 View 1	P7235 View 2	P7235 View 3



[Index](#)

P6349		P6353		P6973	
P6349 View 1	P6349 View 2	P6353 View 1	P6353 View 2	P6973 View 1	P6973 View 2





[Index](#)

P6044		P6047	P6048	P6376		P6376A		P6377	
P6044 View 1	P6044 View 2			P6376 View 1	P6376 View 2	P6376A View 1	P6376A View 2	P6377 View 1	P6377 View 2
P6455	P6737	P7047	P7048	P7376		P7376A		P7377	
				P7376 View 1	P7376 View 2	P7376A View 1	P7376A View 2	P7377 View 1	P7377 View 2

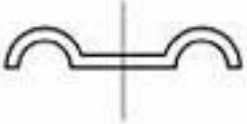
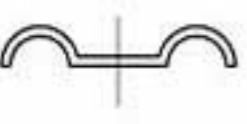

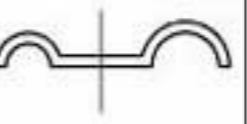




[Index](#)

P6045	P6347	P6453	P6454	P6758		P7045	P7347	P7758	
				P6758 View 1 	P6758 View 2 			P7758 View 1 	P7758 View 2 

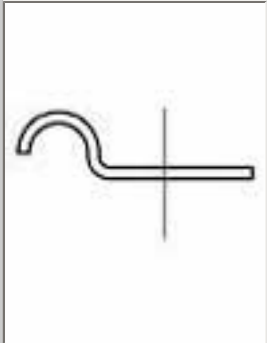
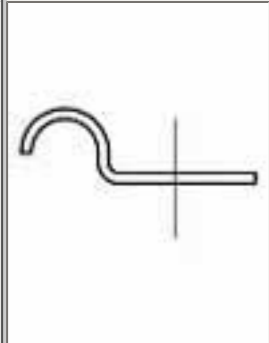
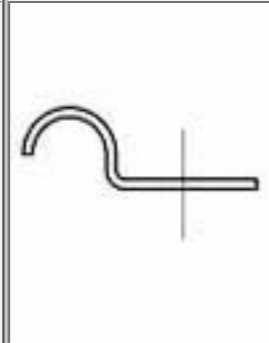
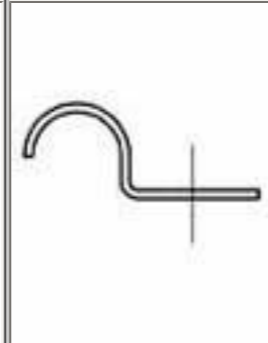
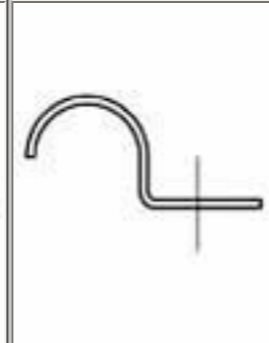
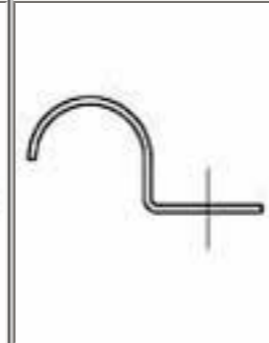
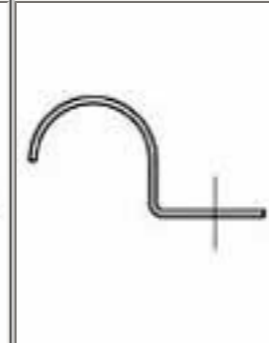
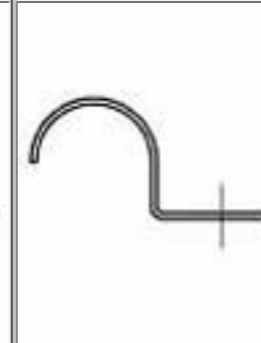


[Index](#)

P6805	P6806	P6807	P6808	P6809	P6810
					



[Index](#)

P7008	P7009	P7010	P7012	P7014	P7016	P7018	P7020
							






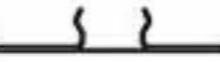


P1000	P1001	P10013	P1001A	P1001A3	P1001B	P1001B3	P1001C	P1001C3	P1001C41
P1001D3	P1003	P1004A	P1100	P1101	P1101A	P1101B	P1101C	P2000	P2001
P2001A	P2001B	P2001C	P3000	P3001	P3300	P3301	P4000	P4001	P4003



P4004	P4100	P4101	P5000	P5001	P5500	P5501



[Index](#)










P1184	P1184P	P3184	P3184F	P3184P	P3712P
					



P1180			P1280			P1280A						
P1180 View 1	P1180 View 2	P1180 View 3	P1280 View 1	P1280 View 2	P1280 View 3	P1280A View 1	P1280A View 2	P1280A View 3				
P2280			P2280A			P2859-10	P2859-11	P2859-12	P2859-13			
P2280 View 1	P2280 View 2	P2280 View 3	P2280A View 1	P2280A View 2	P2280A View 3							
P2859-14	P2860-10		P2860-33		P2860-50		P2860-55					
	P2860-10 End	P2860-10 Side	P2860-33 End	P2860-33 Side	P2860-50 End	P2860-50 Side	P2860-55 End	P2860-55 Side				





P4280			P5280			P5580		
P4280 View 1	P4280 View 2	P4280 View 3	P5280 View 1	P5280 View 2	P5280 View 3	P5580 View 1	P5580 View 2	P5580 View 3
								



[Index](#)

A1000	A1001	A1001A	A1001B	A1001C	A3300	A3301	A4000	A4001	A5000



[Index](#)

A2491L	A2491R	A2492L	A2492R	A2493L	A2493R	A2494L	A2494R	A2495L	A2495R
A2496L	A2496R	A2497L	A2497R						


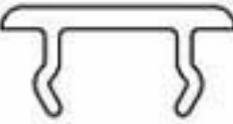


[Index](#)

A1006	A1007	A1008	A3006	A3007	A3008	A3016	A4006	A4007	A4008
A5006	A5007	A5008							

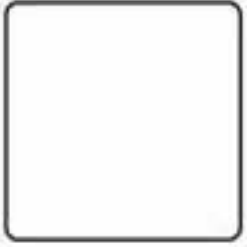










[Index](#)

A1184	A1184P
 A cross-sectional view of a closure strip (A1184) showing a horizontal base with two vertical, hook-like protrusions extending upwards.	 A cross-sectional view of a closure strip (A1184P) showing a horizontal base with two vertical, hook-like protrusions extending downwards.



[Index](#)

A1280			A4280			A5280		
A1280 View 1	A1280 View 2	A1280 View 3	A4280 View 1	A4280 View 2	A4280 View 3	A5280 View 1	A5280 View 2	A5280 View 3
								



[Index](#)

A2109	A2110	A2111	A2125	A2126	A2127



[Index](#)

A1031			A1036		A1063		A1065		
A1031 View 1	A1031 View 2	A1031 View 3	A1036 View 1	A1036 View 2	A1063 View 1	A1063 View 2	A1065 View 1	A1065 View 2	A1065 View 3
A1066			A1191			A2324			
A1066 View 1	A1066 View 2	A1066 View 3	A1191 View 1	A1191 View 2	A1191 View 3	A2324 View 1	A2324 View 2	A2324 View 3	





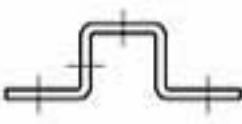
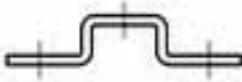

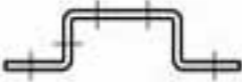
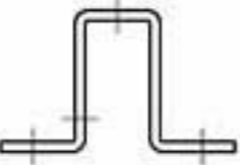
A1026			A1033			A1037		
A1026 View 1	A1026 View 2	A1026 View 3	A1033 View 1	A1033 View 2	A1033 View 3	A1037 View 1	A1037 View 2	A1037 View 3
A1038			A1068			A1325		
A1038 View 1	A1038 View 2	A1038 View 3	A1068 View 1	A1068 View 2	A1068 View 3	A1325 View 1	A1325 View 2	A1325 View 3
A1326			A1331			A1332		
A1326 View 1	A1326 View 2	A1326 View 3	A1331 View 1	A1331 View 2	A1331 View 3	A1332 View 1	A1332 View 2	A1332 View 3



A1357			A1458			A1579		
A1357 View 1	A1357 View 2	A1357 View 3	A1458 View 1	A1458 View 2	A1458 View 3	A1579 View 1	A1579 View 2	A1579 View 3
A2235								
A2235 View 1	A2235 View 2	A2235 View 3						



[Index](#)

A1047	A3347	A4047	A5043	A5047
 A technical drawing showing the cross-section of fitting A1047. It features a U-shaped profile with a central raised section and two side flanges.	 A technical drawing showing the cross-section of fitting A3347. It features a U-shaped profile with a central raised section and two side flanges, similar to A1047 but with a different central profile.	 A technical drawing showing the cross-section of fitting A4047. It features a U-shaped profile with a central raised section and two side flanges, similar to A1047 but with a different central profile.	 A technical drawing showing the cross-section of fitting A5043. It features a U-shaped profile with a central raised section and two side flanges, similar to A1047 but with a different central profile.	 A technical drawing showing the cross-section of fitting A5047. It features a U-shaped profile with a central raised section and two side flanges, similar to A1047 but with a different central profile.



[Index](#)

A2084		A2223		A2227		A2341L		A2341R	
A2084 View 1	A2084 View 2	A2223 View 1	A2223 View 2	A2227 View 1	A2227 View 2	A2341 L View 1	A2341 L View 2	A2341 R View 1	A2341 R View 2
A2345		A2472L			A2472R				
A2345 View 1	A2345 View 2	A2472 L View 1	A2472 L View 2	A2472 L View 3	A2472 R View 1	A2472 R View 2	A2472 R View 3		



[Index](#)

A1045	A2120	A3345	A4045	A4120	A5045	A5120



[Index](#)

A2608	A2609	A2611	A2612	A2613	A2614	A2615	A2617
