

2020

UNITED STATES
DISTRIBUTOR PRICE LIST

PRICES EFFECTIVE
04/01/2020



Classic Series Refrigeration 2

PRO Series Refrigeration 42

Designer Series Refrigeration 47

Wine Storage 70

Undercounter Refrigeration 79

Accessory Handles 83

Sub-Zero Warranties 88

Model numbers, specifications, and prices are subject to change at any time without notice. Visit subzero.com/specs, for the most up-to-date information.

IMPORTANT NOTE: Throughout this price list, dimensions in parentheses are in millimeters unless otherwise specified.

NOTE ALSO: Use of Manufacturer’s Suggested Retail Price (“MSRP”) is subject to the requirements of Section 1.6 of the Sub-Zero Distributor Agreement, as amended.



Indicates Star-K certified.

The information and images in this guide are the copyright property of Sub-Zero, Inc. Neither this guide nor any information or images contained herein may be copied or used in whole or in part without the express written permission of Sub-Zero, Inc. ©Sub-Zero, Inc. all rights reserved.

Sub-Zero, Sub-Zero & Design, Sub-Zero & Snowflake Design, Dual Refrigeration, The Living Kitchen, Great American Kitchens The Fine Art of Kitchen Design, Wolf, Wolf & Design, Wolf Gourmet, W & Design, red colored knobs, Cove, and Cove & Design, are registered trademarks and service marks of Sub-Zero Group, Inc. and its subsidiaries.

All other trademarks are property of their respective owners in the United States and other countries.

Classic Series Refrigeration

In the 1950s, Sub-Zero pioneered the concept of built-in refrigeration. Today, our Classic series represents the iconic look that comes to mind when one hears “Sub-Zero” with a visible grille and powerful hinges that stand the test of time.

- Dual refrigeration preserves food’s freshness in two sealed compartments.
- Advanced water filtration and air purification systems.
- Crisper and deli drawers form a lower-temperature zone for produce and meats.
- Available in a stainless steel or custom panel look that can be installed flush inset or proud of surrounding cabinetry.
- Handle options coordinate with Wolf cooking and Cove dishwashing products.
- Energy efficient; many models are ENERGY STAR® qualified.
- Flip-up grille provides easy access for routine maintenance.
- One 90° door stop included.
- All models are Star-K certified.

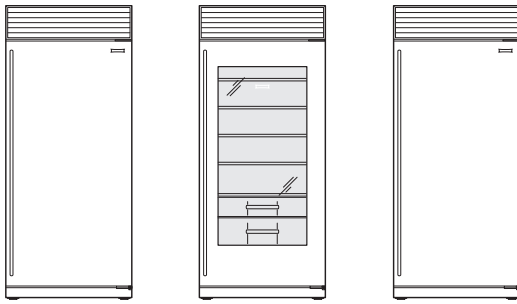
MODEL NUMBER KEY

Classic Series Refrigeration	BI
All Refrigerator	R
All Freezer	F
Over-and-Under	U
Side-by-Side	S
Glass Door	G
High Altitude Glass Door	A
French Door	FD
Ice and Water Dispenser	D
Internal Dispenser	ID
Overlay Model	/O
Stainless Steel Model	/S
Tubular Handle	/TH
Pro Handle	/PH
Right-Hinge	-RH
Left-Hinge	-LH



Classic Series Refrigeration

All Refrigerator / All Freezer Models



BI-36R

BI-36RG

BI-36F

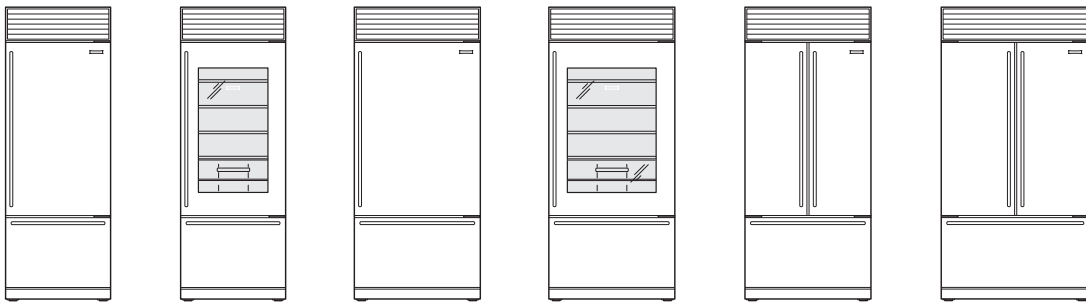
Models shown in the stainless steel design with tubular handles.
Specify right-hinge (-RH) or left-hinge (-LH) door when ordering.

Overall dimensions are based on stainless steel models.

Annual energy usage is based on 12 cents per kilowatt hour.

A high altitude glass door is available for installations above 5,000' (1524 m) in elevation. When ordering, replace (G) with (A) for the correct model number.

Over-and-Under Models



BI-30U

BI-30UG

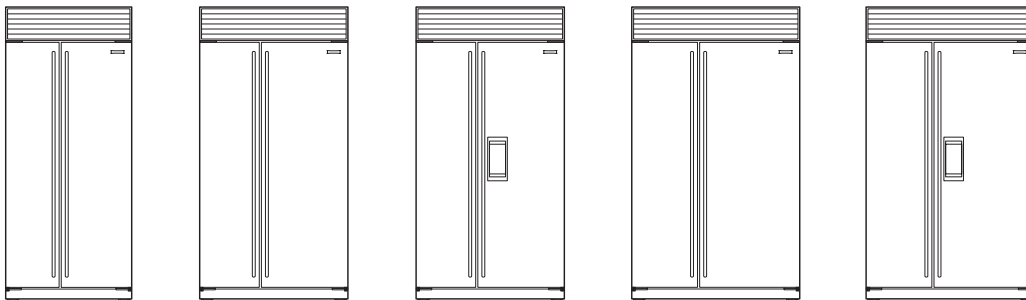
BI-36U(ID)

BI-36UG

BI-36UFD(ID)

BI-42UFD(ID)

Side-by-Side Models



BI-36S

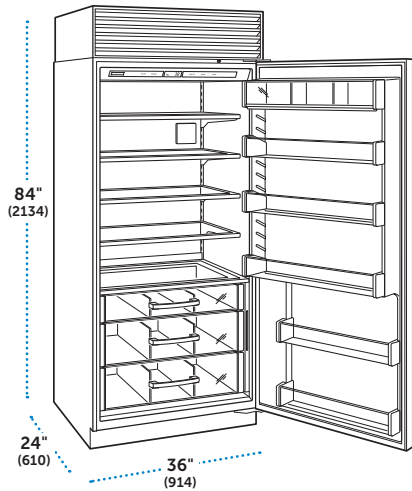
BI-42S(ID)

BI-42SD

BI-48S(ID)

BI-48SD

Classic Series Refrigeration



36" All Refrigerator

MODEL	MSRP
BI-36R/O*	\$6,945
BI-36R/S/TH	\$8,290
BI-36R/S/PH	\$8,290

*Flush inset and framed design options are achieved by specifying an overlay model. Overlay models include a grille frame that accepts a classic louvered, solid stainless, pro louvered or custom panel insert.

SPECIFICATIONS

Overall Dimensions	36"W (914) x 84"H (2134) x 24"D (610)
Refrigerator Capacity	23.5 cu ft (665 L)
Shipping Weight	420 lbs (191 kg)
Annual Energy Usage	\$45 (375 kWh)

FEATURES

- 4 adjustable glass shelves
- High-humidity drawer with dividers
- 2 storage drawers with dividers
- 3 adjustable and 2 stationary door shelves
- Adjustable dairy compartment
- Air purification system

Accessories

Grilles

FINISHED HEIGHT	NUMBER	MSRP
Framed		
83" (2108) Classic Louvered	7003519	\$370
88" (2235) Classic Louvered	7003523	\$470
Overlay or Flush Inset		
83" (2108) Grille Frame	7003531	\$280
84" (2134) Grille Frame	7007136	\$250
88" (2235) Grille Frame	7003535	\$250
Stainless Steel		
83" (2108) Pro Louvered	7003543	\$400
84" (2134) Pro Louvered	7007132	\$460
88" (2235) Pro Louvered	7003547	\$510

Framed Application

DESCRIPTION	NUMBER	MSRP
Classic Louvered Insert*	7014850	\$170
Handle (1)		
Full-Length Standard	7014887	\$120
Full-Length Extended	7003462	\$120
Door Panel		
Stainless Steel	7003455	\$530
White Enamel	7004439	\$475

*Slides into overlay grille, 84" (2134) finished height.

Accessories

Single Flush Inset – Stainless Steel

DESCRIPTION	NUMBER	MSRP
Grille*		
Solid SS Panel	7008869	\$250
Pro Louvered	7020158	\$350
Tubular Handle		
Door Panel	7030216	\$1,030
Pro Handle		
Door Panel	7008884	\$1,030

*84" (2134) finished height.

Dual Flush Inset – Stainless Steel

DESCRIPTION	NUMBER	MSRP
Dual Wide Grille*		
66" (1676) Solid SS Panel	7013367	\$470
72" (1829) Solid SS Panel	7008881	\$500
Tubular Handle		
Door Panel	7030215	\$1,030
Pro Handle		
Door Panel	7008853	\$1,030

*84" (2134) finished height. Solid SS panel requires dual installation kit 7012623 or 7004811.

Dual Installation Kit with Dual Wide Grille

DESCRIPTION	NUMBER	MSRP
Framed		
72" (1829) Classic Louvered	7004809	\$1,165
Overlay or Flush Inset		
66" (1676) Grille Frame	7012623	\$930
72" (1829) Grille Frame	7004811	\$970
Stainless Steel Flush Inset		
66" (1676) Pro Louvered	7020162	\$1,085
72" (1829) Pro Louvered	7020163	\$1,130
Stainless Steel		
66" (1676) Pro Louvered	7012624	\$1,225
72" (1829) Pro Louvered	7004813	\$1,255

For handle-to-handle installations only. Kit includes dual wide kickplate and dual wide grille for 84" (2134) finished height, center trim strip, heater and mounting hardware.

Dual Installation Kit

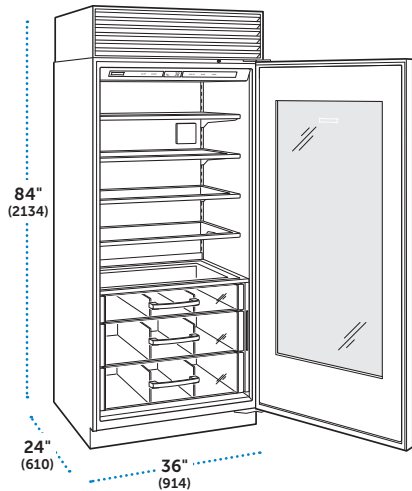
DESCRIPTION	NUMBER	MSRP
All Designs		
Dual Installation Kit	7003411	\$370

For handle-to-handle installations only. Kit includes center trim strip, heater and mounting hardware.

Miscellaneous

DESCRIPTION	NUMBER	MSRP
Replacement Cartridge		
Air Purification	7007067	\$55
Mounting Kits		
Custom Front Panel	7020607	\$230
Custom Side Panel	7003407	\$110
Side Panels		
Stainless Steel (1)	7003408	\$770
White Enamel (1)	7003409	\$530
Kickplates		
Stainless Steel RH	7010371	\$40
Stainless Steel LH	7010372	\$40
Egg Container	7007506	\$30
90° Door Stop	7005865	N/C

Classic Series Refrigeration



36" All Refrigerator with Glass Door

MODEL	MSRP
BI-36RG/O*	\$7,945
BI-36RG/S/TH	\$9,085
BI-36RG/S/PH	\$9,085

*Flush inset and framed design options are achieved by specifying an overlay model. Overlay models include a grille frame that accepts a classic louvered, solid stainless, pro louvered or custom panel insert.

SPECIFICATIONS

Overall Dimensions	36"W (914) x 84"H (2134) x 24"D (610)
Refrigerator Capacity	23.4 cu ft (663 L)
Shipping Weight	430 lbs (195 kg)
Annual Energy Usage	\$50 (415 kWh)

FEATURES

- 4 adjustable glass shelves
- High-humidity drawer with dividers
- 2 storage drawers with dividers
- Triple-pane, UV-resistant glass door
- High altitude glass available
- Air purification system

Accessories

Grilles

FINISHED HEIGHT	NUMBER	MSRP
Framed		
83" (2108) Classic Louvered	7003519	\$370
88" (2235) Classic Louvered	7003523	\$470
Overlay or Flush Inset		
83" (2108) Grille Frame	7003531	\$280
84" (2134) Grille Frame	7007136	\$250
88" (2235) Grille Frame	7003535	\$250
Stainless Steel		
83" (2108) Pro Louvered	7003543	\$400
84" (2134) Pro Louvered	7007132	\$460
88" (2235) Pro Louvered	7003547	\$510

Framed Application

DESCRIPTION	NUMBER	MSRP
Classic Louvered Insert*	7014850	\$170
Handle (1)		
Full-Length Standard	7014887	\$120
Full-Length Extended	7003462	\$120

*Slides into overlay grille, 84" (2134) finished height.

Classic Series Refrigeration

Accessories

Single Flush Inset – Stainless Steel

DESCRIPTION	NUMBER	MSRP
Grille*		
Solid SS Panel	7008869	\$250
Pro Louvered	7020158	\$350
Tubular Handle		
Door Panel RH	7030217	\$1,030
Door Panel LH	7030226	\$1,030
Pro Handle		
Door Panel RH	7008887	\$1,030
Door Panel LH	7008964	\$1,030

*84" (2134) finished height.

Dual Flush Inset – Stainless Steel

DESCRIPTION	NUMBER	MSRP
Dual Wide Grille*		
66" (1676) Solid SS Panel	7013367	\$470
72" (1829) Solid SS Panel	7008881	\$500
Tubular Handle		
Door Panel RH	7030227	\$1,030
Door Panel LH	7030228	\$1,030
Pro Handle		
Door Panel RH	7012229	\$1,030
Door Panel LH	7012230	\$1,030

*84" (2134) finished height. Solid SS panel requires dual installation kit 7012623 or 7004811.

Dual Installation Kit with Dual Wide Grille

DESCRIPTION	NUMBER	MSRP
Framed		
72" (1829) Classic Louvered	7004809	\$1,165
Overlay or Flush Inset		
66" (1676) Grille Frame	7012623	\$930
72" (1829) Grille Frame	7004811	\$970
Stainless Steel Flush Inset		
66" (1676) Pro Louvered	7020162	\$1,085
72" (1829) Pro Louvered	7020163	\$1,130
Stainless Steel		
66" (1676) Pro Louvered	7012624	\$1,225
72" (1829) Pro Louvered	7004813	\$1,255

For handle-to-handle installations only. Kit includes dual wide kickplate and dual wide grille for 84" (2134) finished height, center trim strip, heater and mounting hardware.

Dual Installation Kit

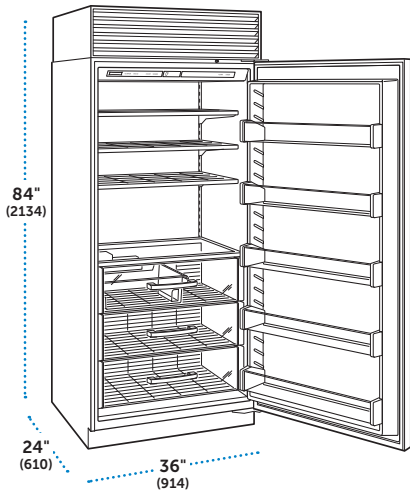
DESCRIPTION	NUMBER	MSRP
All Designs		
Dual Installation Kit	7003411	\$370

For handle-to-handle installations only. Kit includes center trim strip, heater and mounting hardware.

Miscellaneous

DESCRIPTION	NUMBER	MSRP
Replacement Cartridge		
Air Purification	7007067	\$55
Mounting Kits		
Custom Side Panel	7003407	\$110
Side Panels		
Stainless Steel (1)	7003408	\$770
White Enamel (1)	7003409	\$530
Kickplates		
Stainless Steel RH	7010371	\$40
Stainless Steel LH	7010372	\$40
Egg Container	7007506	\$30
90° Door Stop	7005865	N/C

Classic Series Refrigeration



36" All Freezer

MODEL	MSRP
BI-36F/O*	\$7,325
BI-36F/S/TH	\$8,670
BI-36F/S/PH	\$8,670

*Flush inset and framed design options are achieved by specifying an overlay model. Overlay models include a grille frame that accepts a classic louvered, solid stainless, pro louvered or custom panel insert.

SPECIFICATIONS

Overall Dimensions	36"W (914) x 84"H (2134) x 24"D (610)
Freezer Capacity	22.7 cu ft (643 L)
Shipping Weight	406 lbs (184 kg)
Annual Energy Usage	\$89 (738 kWh)

FEATURES

- 3 adjustable wire shelves
- 3 storage drawers with dividers
- 5 adjustable door shelves
- Automatic ice maker
- Water filtration system

Accessories

Grilles

FINISHED HEIGHT	NUMBER	MSRP
Framed		
83" (2108) Classic Louvered	7003519	\$370
88" (2235) Classic Louvered	7003523	\$470
Overlay or Flush Inset		
83" (2108) Grille Frame	7003531	\$280
84" (2134) Grille Frame	7007136	\$250
88" (2235) Grille Frame	7003535	\$250
Stainless Steel		
83" (2108) Pro Louvered	7003543	\$400
84" (2134) Pro Louvered	7007132	\$460
88" (2235) Pro Louvered	7003547	\$510

Framed Application

DESCRIPTION	NUMBER	MSRP
Classic Louvered Insert*	7014850	\$170
Handle (1)		
Full-Length Standard	7014887	\$120
Full-Length Extended	7003462	\$120
Door Panel		
Stainless Steel	7003455	\$530
White Enamel	7004439	\$475

*Slides into overlay grille, 84" (2134) finished height.

Classic Series Refrigeration

Accessories

Single Flush Inset – Stainless Steel

DESCRIPTION	NUMBER	MSRP
Grille*		
Solid SS Panel	7008869	\$250
Pro Louvered	7020158	\$350
Tubular Handle		
Door Panel	7030216	\$1,030
Pro Handle		
Door Panel	7008884	\$1,030

*84" (2134) finished height.

Dual Flush Inset – Stainless Steel

DESCRIPTION	NUMBER	MSRP
Dual Wide Grille*		
66" (1676) Solid SS Panel	7013367	\$470
72" (1829) Solid SS Panel	7008881	\$500
Tubular Handle		
Door Panel	7030215	\$1,030
Pro Handle		
Door Panel	7008853	\$1,030

*84" (2134) finished height. Solid SS panel requires dual installation kit 7012623 or 7004811.

Dual Installation Kit with Dual Wide Grille

DESCRIPTION	NUMBER	MSRP
Framed		
72" (1829) Classic Louvered	7004809	\$1,165
Overlay or Flush Inset		
66" (1676) Grille Frame	7012623	\$930
72" (1829) Grille Frame	7004811	\$970
Stainless Steel Flush Inset		
66" (1676) Pro Louvered	7020162	\$1,085
72" (1829) Pro Louvered	7020163	\$1,130
Stainless Steel		
66" (1676) Pro Louvered	7012624	\$1,225
72" (1829) Pro Louvered	7004813	\$1,255

For handle-to-handle installations only. Kit includes dual wide kickplate and dual wide grille for 84" (2134) finished height, center trim strip, heater and mounting hardware.

Dual Installation Kit

DESCRIPTION	NUMBER	MSRP
All Designs		
Dual Installation Kit	7003411	\$370

For handle-to-handle installations only. Kit includes center trim strip, heater and mounting hardware.

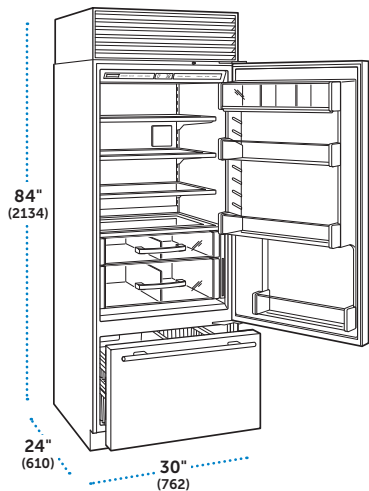
Water Filters

DESCRIPTION	NUMBER	MSRP
Replacement Filter		
Water Filter	4204490	\$55

Miscellaneous

DESCRIPTION	NUMBER	MSRP
Mounting Kits		
Custom Front Panel	7020607	\$230
Custom Side Panel	7003407	\$110
Side Panels		
Stainless Steel (1)	7003408	\$770
White Enamel (1)	7003409	\$530
Kickplates		
Stainless Steel RH	7010371	\$40
Stainless Steel LH	7010372	\$40
90° Door Stop	7005865	N/C

Classic Series Refrigeration



30" Over-and-Under

MODEL	MSRP
BI-30U/O*†	\$8,925
BI-30U/S/TH	\$10,465
BI-30U/S/PH	\$10,465

*Flush inset and framed design options are achieved by specifying an overlay model. Overlay models include a grille frame that accepts a classic louvered, solid stainless, pro louvered or custom panel insert.

†This model is not ENERGY STAR® certified.

SPECIFICATIONS

Overall Dimensions	30"W (762) x 84"H (2134) x 24"D (610)
Refrigerator Capacity	13.2 cu ft (374 L)
Freezer Capacity	4.2 cu ft (119 L)
Shipping Weight	462 lbs (210 kg)
Annual Energy Usage	BI-30U/O \$74 (613 kWh) BI-30U/S \$68 (560 kWh)

FEATURES

Refrigerator

- 3 adjustable glass shelves
- High-humidity drawer with divider
- Storage drawer with divider
- 2 adjustable and 1 stationary door shelves
- Adjustable dairy compartment
- Air purification system

Freezer

- Automatic ice maker
- Full-extension drawer with 2-tier wire baskets
- Water filtration system

Accessories

Grilles

FINISHED HEIGHT	NUMBER	MSRP
Framed		
83" (2108) Classic Louvered	7003518	\$350
88" (2235) Classic Louvered	7003522	\$450
Overlay or Flush Inset		
83" (2108) Grille Frame	7003530	\$270
84" (2134) Grille Frame	7007135	\$240
88" (2235) Grille Frame	7003534	\$240
Stainless Steel		
83" (2108) Pro Louvered	7003542	\$385
84" (2134) Pro Louvered	7007131	\$430
88" (2235) Pro Louvered	7003546	\$490

Framed Application

DESCRIPTION	NUMBER	MSRP
Classic Louvered Insert*	7014849	\$150
Handles (2)		
Full-Length Standard	7014888	\$170
Full-Length Extended	7003463	\$200
2-Panel Set		
Stainless Steel	7003456	\$550
White Enamel	7004440	\$430

*Slides into overlay grille, 84" (2134) finished height.

Retrofit Panel Kit

DESCRIPTION	NUMBER	MSRP
Framed	7005230	\$330
Overlay or Flush Inset	7003403	\$330

Retrofit existing 600 series panels onto a new Classic series model. Grille panel must be reduced in height by 1" (25).

Single Flush Inset Panels – Stainless Steel

DESCRIPTION	NUMBER	MSRP
Grille*		
Solid SS Panel	7008870	\$210
Pro Louvered	7020157	\$330
Tubular Handle		
Door Panel	7030231	\$750
Drawer Panel	7030245	\$390
Pro Handle		
Door Panel	7008890	\$750
Drawer Panel	7008893	\$390

*84" (2134) finished height.

Classic Series Refrigeration

Accessories

Dual Flush Inset Panels – Stainless Steel

DESCRIPTION	NUMBER	MSRP
Dual Wide Grille*		
60" (1524) Solid SS Panel	7008882	\$440
66" (1676) Solid SS Panel	7013367	\$470
Tubular Handle		
Door Panel	7030229	\$750
Drawer Panel RH	7030243	\$390
Drawer Panel LH	7030244	\$390
Pro Handle		
Door Panel	7008834	\$750
Drawer Panel RH	7008837	\$390
Drawer Panel LH	7008840	\$390

*84" (2134) finished height. Solid SS panel requires dual installation kit 7004810 or 7012623.

Dual Installation Kit with Dual Wide Grille

DESCRIPTION	NUMBER	MSRP
Framed		
60" (1524) Classic Louvered	7004808	\$1,120
Overlay or Flush Inset		
60" (1524) Grille Frame	7004810	\$905
66" (1676) Grille Frame	7012623	\$930
Stainless Steel Flush Inset		
60" (1524) Pro Louvered	7020161	\$1,060
66" (1676) Pro Louvered	7020162	\$1,085
Stainless Steel		
60" (1524) Pro Louvered	7004812	\$1,200
66" (1676) Pro Louvered	7012624	\$1,225

For handle-to-handle installations only. Kit includes dual wide kickplate and dual wide grille for 84" (2134) finished height, center trim strip, heater and mounting hardware.

Dual Installation Kit

DESCRIPTION	NUMBER	MSRP
All Designs		
Dual Installation Kit	7003411	\$370

For handle-to-handle installations only. Kit includes center trim strip, heater and mounting hardware.

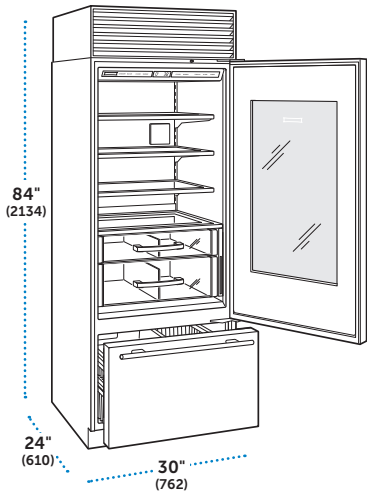
Filters and Cartridges

DESCRIPTION	NUMBER	MSRP
Replacement Filter		
Water Filter	4204490	\$55
Replacement Cartridge		
Air Purification	7007067	\$55

Miscellaneous

DESCRIPTION	NUMBER	MSRP
Mounting Kits		
Custom Front Panels	7020607	\$230
Custom Side Panel	7003407	\$110
Side Panels		
Stainless Steel (1)	7003408	\$770
White Enamel (1)	7003409	\$530
Stainless Steel Kickplate	7010396	\$40
Egg Container	7007506	\$30
90° Door Stop	7005865	N/C

Classic Series Refrigeration



30" Over-and-Under with Glass Door

MODEL	MSRP
BI-30UG/O*	\$9,985
BI-30UG/S/TH	\$11,260
BI-30UG/S/PH	\$11,260

*Flush inset and framed design options are achieved by specifying an overlay model. Overlay models include a grille frame that accepts a classic louvered, solid stainless, pro louvered or custom panel insert.

SPECIFICATIONS

Overall Dimensions	30"W (762) x 84"H (2134) x 24"D (610)
Refrigerator Capacity	13.1 cu ft (371 L)
Freezer Capacity	4.2 cu ft (119 L)
Shipping Weight	476 lbs (216 kg)
Annual Energy Usage	\$74 (612 kWh)

FEATURES

Refrigerator

- 3 adjustable glass shelves
- High-humidity drawer with divider
- Storage drawer with divider
- Triple-pane, UV-resistant glass door
- High altitude glass available
- Air purification system

Freezer

- Automatic ice maker
- Full-extension drawer with 2-tier wire baskets
- Water filtration system

Accessories

Grilles

FINISHED HEIGHT	NUMBER	MSRP
Framed		
83" (2108) Classic Louvered	7003518	\$350
88" (2235) Classic Louvered	7003522	\$450
Overlay or Flush Inset		
83" (2108) Grille Frame	7003530	\$270
84" (2134) Grille Frame	7007135	\$240
88" (2235) Grille Frame	7003534	\$240
Stainless Steel		
83" (2108) Pro Louvered	7003542	\$385
84" (2134) Pro Louvered	7007131	\$430
88" (2235) Pro Louvered	7003546	\$490

Framed Application

DESCRIPTION	NUMBER	MSRP
Classic Louvered Insert*	7014849	\$150
Handle (2)		
Full-Length Standard	7014888	\$170
Full-Length Extended	7003463	\$200

*Slides into overlay grille, 84" (2134) finished height.

Single Flush Inset Panels – Stainless Steel

DESCRIPTION	NUMBER	MSRP
Grille*		
Solid SS Panel	7008870	\$210
Pro Louvered	7020157	\$330
Tubular Handle		
Door Panel	7030232	\$750
Drawer Panel	7030245	\$390
Pro Handle		
Door Panel	7008896	\$750
Drawer Panel	7008893	\$390

*84" (2134) finished height.

Classic Series Refrigeration

Accessories

Dual Flush Inset Panels – Stainless Steel

DESCRIPTION	NUMBER	MSRP
Dual Wide Grille*		
60" (1524) Solid SS Panel	7008882	\$440
66" (1676) Solid SS Panel	7013367	\$470
Tubular Handle		
Door Panel	7030235	\$750
Drawer Panel RH	7030243	\$390
Drawer Panel LH	7030244	\$390
Pro Handle		
Door Panel	7012231	\$750
Drawer Panel RH	7008837	\$390
Drawer Panel LH	7008840	\$390

*84" (2134) finished height. Solid SS panel requires dual installation kit 7004810 or 7012623.

Dual Installation Kit with Dual Wide Grille

DESCRIPTION	NUMBER	MSRP
Framed		
60" (1524) Classic Louvered	7004808	\$1,120
Overlay or Flush Inset		
60" (1524) Grille Frame	7004810	\$905
66" (1676) Grille Frame	7012623	\$930
Stainless Steel Flush Inset		
60" (1524) Pro Louvered	7020161	\$1,060
66" (1676) Pro Louvered	7020162	\$1,085
Stainless Steel		
60" (1524) Pro Louvered	7004812	\$1,200
66" (1676) Pro Louvered	7012624	\$1,225

For handle-to-handle installations only. Kit includes dual wide kickplate and dual wide grille for 84" (2134) finished height, center trim strip, heater and mounting hardware.

Dual Installation Kit

DESCRIPTION	NUMBER	MSRP
All Designs		
Dual Installation Kit	7003411	\$370

For handle-to-handle installations only. Kit includes center trim strip, heater and mounting hardware.

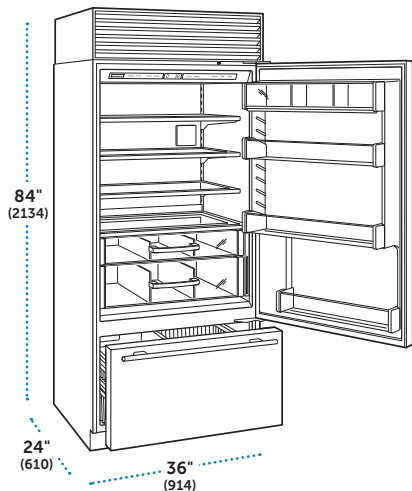
Filters and Cartridges

DESCRIPTION	NUMBER	MSRP
Replacement Filter		
Water Filter	4204490	\$55
Replacement Cartridge		
Air Purification	7007067	\$55

Miscellaneous

DESCRIPTION	NUMBER	MSRP
Mounting Kits		
Custom Side Panel	7003407	\$110
Side Panels		
Stainless Steel (1)	7003408	\$770
White Enamel (1)	7003409	\$530
Stainless Steel Kickplate	7010396	\$40
Egg Container	7007506	\$30
90° Door Stop	7005865	N/C

Classic Series Refrigeration



36" Over-and-Under

MODEL	MSRP
BI-36U/O*†	\$9,300
BI-36U/S/TH	\$10,945
BI-36U/S/PH	\$10,945

*Flush inset and framed design options are achieved by specifying an overlay model. Overlay models include a grille frame that accepts a classic louvered, solid stainless, pro louvered or custom panel insert.

†This model is not ENERGY STAR® certified.

SPECIFICATIONS

Overall Dimensions	36"W (914) x 84"H (2134) x 24"D (610)
Refrigerator Capacity	16.4 cu ft (464 L)
Freezer Capacity	5.3 cu ft (150 L)
Shipping Weight	515 lbs (234 kg)
Annual Energy Usage	\$73 (602 kWh)

FEATURES

Refrigerator

- 3 adjustable glass shelves
- High-humidity drawer with dividers
- Storage drawer with dividers
- 2 adjustable and 1 stationary door shelves
- Adjustable dairy compartment
- Air purification system

Freezer

- Automatic ice maker
- Full-extension drawer with 2-tier wire baskets
- Water filtration system

Accessories

Grilles

FINISHED HEIGHT	NUMBER	MSRP
Framed		
83" (2108) Classic Louvered	7003519	\$370
88" (2235) Classic Louvered	7003523	\$470
Overlay or Flush Inset		
83" (2108) Grille Frame	7003531	\$280
84" (2134) Grille Frame	7007136	\$250
88" (2235) Grille Frame	7003535	\$250
Stainless Steel		
83" (2108) Pro Louvered	7003543	\$400
84" (2134) Pro Louvered	7007132	\$460
88" (2235) Pro Louvered	7003547	\$510

Framed Application

DESCRIPTION	NUMBER	MSRP
Classic Louvered Insert*	7014850	\$170
Handle (2)		
Full-Length Standard	7014889	\$170
Full-Length Extended	7003464	\$200
2-Panel Set		
Stainless Steel	7003457	\$560
White Enamel	7004441	\$490

*Slides into overlay grille, 84" (2134) finished height.

Retrofit Panel Kit

DESCRIPTION	NUMBER	MSRP
Framed	7005229	\$340
Overlay or Flush Inset	7003402	\$340

Retrofit existing 600 series panels onto a new Classic series model. Grille panel must be reduced in height by 1" (25).

Single Flush Inset Panels – Stainless Steel

DESCRIPTION	NUMBER	MSRP
Grille*		
Solid SS Panel	7008869	\$250
Pro Louvered	7020158	\$350
Tubular Handle		
Door Panel	7030233	\$780
Drawer Panel	7029743	\$420
Pro Handle		
Door Panel	7008899	\$780
Drawer Panel	7008902	\$420

*84" (2134) finished height.

Classic Series Refrigeration

Accessories

Dual Flush Inset Panels – Stainless Steel

DESCRIPTION	NUMBER	MSRP
Dual Wide Grille*		
66" (1676) Solid SS Panel	7013367	\$470
72" (1829) Solid SS Panel	7008881	\$500
Tubular Handle		
Door Panel	7030230	\$780
Drawer Panel RH	7030240	\$420
Drawer Panel LH	7030241	\$420
Pro Handle		
Door Panel	7008843	\$780
Drawer Panel RH	7008846	\$420
Drawer Panel LH	7008849	\$420

*84" (2134) finished height. Solid SS panel requires dual installation kit 7012623 or 7004811.

Dual Installation Kit with Dual Wide Grille

DESCRIPTION	NUMBER	MSRP
Framed		
72" (1829) Classic Louvered	7004809	\$1,165
Overlay or Flush Inset		
66" (1676) Grille Frame	7012623	\$930
72" (1829) Grille Frame	7004811	\$970
Stainless Steel Flush Inset		
66" (1676) Pro Louvered	7020162	\$1,085
72" (1829) Pro Louvered	7020163	\$1,130
Stainless Steel		
66" (1676) Pro Louvered	7012624	\$1,225
72" (1829) Pro Louvered	7004813	\$1,255

For handle-to-handle installations only. Kit includes dual wide kickplate and dual wide grille for 84" (2134) finished height, center trim strip, heater and mounting hardware.

Dual Installation Kit

DESCRIPTION	NUMBER	MSRP
All Designs		
Dual Installation Kit	7003411	\$370

For handle-to-handle installations only. Kit includes center trim strip, heater and mounting hardware.

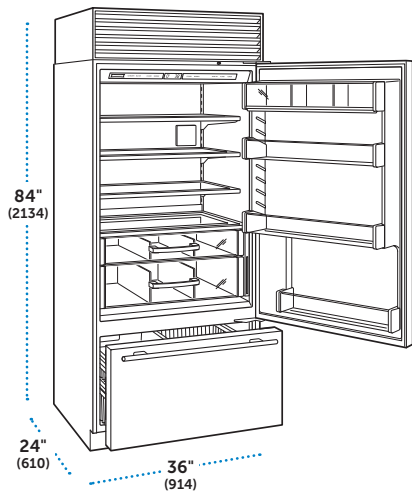
Filters and Cartridges

DESCRIPTION	NUMBER	MSRP
Replacement Filter		
Water Filter	4204490	\$55
Replacement Cartridge		
Air Purification	7007067	\$55

Miscellaneous

DESCRIPTION	NUMBER	MSRP
Mounting Kits		
Custom Front Panels	7020607	\$230
Custom Side Panel	7003407	\$110
Side Panels		
Stainless Steel (1)	7003408	\$770
White Enamel (1)	7003409	\$530
Stainless Steel Kickplate	7010397	\$40
Egg Container	7007506	\$30
90° Door Stop	7005865	N/C

Classic Series Refrigeration



36" Over-and-Under with Internal Dispenser

MODEL	MSRP
BI-36UID/O**	\$9,670
BI-36UID/S/TH	\$11,315
BI-36UID/S/PH	\$11,315

*Flush inset and framed design options are achieved by specifying an overlay model. Overlay models include a grille frame that accepts a classic louvered, solid stainless, pro louvered or custom panel insert.

†This model is not ENERGY STAR® certified.

SPECIFICATIONS

Overall Dimensions	36"W (914) x 84"H (2134) x 24"D (610)
Refrigerator Capacity	16.4 cu ft (464 L)
Freezer Capacity	5.3 cu ft (150 L)
Shipping Weight	515 lbs (234 kg)
Annual Energy Usage	\$73 (602 kWh)

FEATURES

Refrigerator

- Internal water dispenser
- 3 adjustable glass shelves
- High-humidity drawer with dividers
- Storage drawer with dividers
- 2 adjustable and 1 stationary door shelves
- Adjustable dairy compartment
- Air purification system

Freezer

- Automatic ice maker
- Full-extension drawer with 2-tier wire baskets
- Water filtration system

Accessories

Grilles

FINISHED HEIGHT	NUMBER	MSRP
Framed		
83" (2108) Classic Louvered	7003519	\$370
88" (2235) Classic Louvered	7003523	\$470
Overlay or Flush Inset		
83" (2108) Grille Frame	7003531	\$280
84" (2134) Grille Frame	7007136	\$250
88" (2235) Grille Frame	7003535	\$250
Stainless Steel		
83" (2108) Pro Louvered	7003543	\$400
84" (2134) Pro Louvered	7007132	\$460
88" (2235) Pro Louvered	7003547	\$510

Framed Application

DESCRIPTION	NUMBER	MSRP
Classic Louvered Insert*	7014850	\$170
Handle (2)		
Full-Length Standard	7014889	\$170
Full-Length Extended	7003464	\$200
2-Panel Set		
Stainless Steel	7003457	\$560
White Enamel	7004441	\$490

*Slides into overlay grille, 84" (2134) finished height.

Retrofit Panel Kit

DESCRIPTION	NUMBER	MSRP
Framed	7005229	\$340
Overlay or Flush Inset	7003402	\$340

Retrofit existing 600 series panels onto a new Classic series model. Grille panel must be reduced in height by 1" (25).

Single Flush Inset Panels – Stainless Steel

DESCRIPTION	NUMBER	MSRP
Grille*		
Solid SS Panel	7008869	\$250
Pro Louvered	7020158	\$350
Tubular Handle		
Door Panel	7030233	\$780
Drawer Panel	7029743	\$420
Pro Handle		
Door Panel	7008899	\$780
Drawer Panel	7008902	\$420

*84" (2134) finished height.

Classic Series Refrigeration

Accessories

Dual Flush Inset Panels – Stainless Steel

DESCRIPTION	NUMBER	MSRP
Dual Wide Grille*		
66" (1676) Solid SS Panel	7013367	\$470
72" (1829) Solid SS Panel	7008881	\$500
Tubular Handle		
Door Panel	7030230	\$780
Drawer Panel RH	7030240	\$420
Drawer Panel LH	7030241	\$420
Pro Handle		
Door Panel	7008843	\$780
Drawer Panel RH	7008846	\$420
Drawer Panel LH	7008849	\$420

*84" (2134) finished height. Solid SS panel requires dual installation kit 7012623 or 7004811.

Dual Installation Kit with Dual Wide Grille

DESCRIPTION	NUMBER	MSRP
Framed		
72" (1829) Classic Louvered	7004809	\$1,165
Overlay or Flush Inset		
66" (1676) Grille Frame	7012623	\$930
72" (1829) Grille Frame	7004811	\$970
Stainless Steel Flush Inset		
66" (1676) Pro Louvered	7020162	\$1,085
72" (1829) Pro Louvered	7020163	\$1,130
Stainless Steel		
66" (1676) Pro Louvered	7012624	\$1,225
72" (1829) Pro Louvered	7004813	\$1,255

For handle-to-handle installations only. Kit includes dual wide kickplate and dual wide grille for 84" (2134) finished height, center trim strip, heater and mounting hardware.

Dual Installation Kit

DESCRIPTION	NUMBER	MSRP
All Designs		
Dual Installation Kit	7003411	\$370

For handle-to-handle installations only. Kit includes center trim strip, heater and mounting hardware.

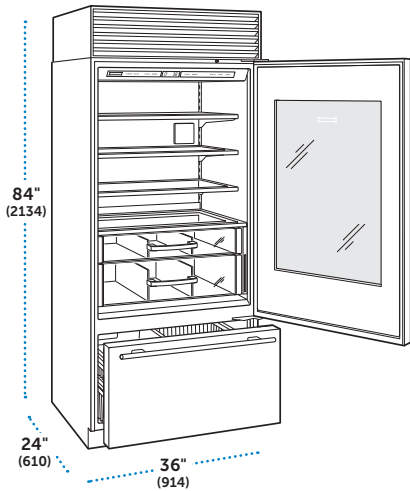
Filters and Cartridges

DESCRIPTION	NUMBER	MSRP
Replacement Filter		
Water Filter	4204490	\$55
Replacement Cartridge		
Air Purification	7007067	\$55

Miscellaneous

DESCRIPTION	NUMBER	MSRP
Mounting Kits		
Custom Front Panels	7020607	\$230
Custom Side Panel	7003407	\$110
Side Panels		
Stainless Steel (1)	7003408	\$770
White Enamel (1)	7003409	\$530
Stainless Steel Kickplate	7010397	\$40
Egg Container	7007506	\$30
90° Door Stop	7005865	N/C

Classic Series Refrigeration



36" Over-and-Under with Glass Door

MODEL	MSRP
BI-36UG/O*	\$10,360
BI-36UG/S/TH	\$11,740
BI-36UG/S/PH	\$11,740

*Flush inset and framed design options are achieved by specifying an overlay model. Overlay models include a grille frame that accepts a classic louvered, solid stainless, pro louvered or custom panel insert.

SPECIFICATIONS

Overall Dimensions	36"W (914) x 84"H (2134) x 24"D (610)
Refrigerator Capacity	16.3 cu ft (462 L)
Freezer Capacity	5.3 cu ft (150 L)
Shipping Weight	529 lbs (240 kg)
Annual Energy Usage	\$80 (659 kWh)

FEATURES

Refrigerator

- 3 adjustable glass shelves
- High-humidity drawer with dividers
- Storage drawer with dividers
- Triple-pane, UV-resistant glass door
- High altitude glass available
- Air purification system

Freezer

- Automatic ice maker
- Full-extension drawer with 2-tier wire baskets
- Water filtration system

Accessories

Grilles

FINISHED HEIGHT	NUMBER	MSRP
Framed		
83" (2108) Classic Louvered	7003519	\$370
88" (2235) Classic Louvered	7003523	\$470
Overlay or Flush Inset		
83" (2108) Grille Frame	7003531	\$280
84" (2134) Grille Frame	7007136	\$250
88" (2235) Grille Frame	7003535	\$250
Stainless Steel		
83" (2108) Pro Louvered	7003543	\$400
84" (2134) Pro Louvered	7007132	\$460
88" (2235) Pro Louvered	7003547	\$510

Framed Application

DESCRIPTION	NUMBER	MSRP
Classic Louvered Insert*	7014850	\$170
Handle (2)		
Full-Length Standard	7014889	\$170
Full-Length Extended	7003464	\$200

*Slides into overlay grille, 84" (2134) finished height.

Single Flush Inset Panels – Stainless Steel

DESCRIPTION	NUMBER	MSRP
Grille*		
Solid SS Panel	7008869	\$250
Pro Louvered	7020158	\$350
Tubular Handle		
Door Panel	7030234	\$780
Drawer Panel	7029743	\$420
Pro Handle		
Door Panel	7008905	\$780
Drawer Panel	7008902	\$420

*84" (2134) finished height.

Classic Series Refrigeration

Accessories

Dual Flush Inset Panels – Stainless Steel

DESCRIPTION	NUMBER	MSRP
Dual Wide Grille*		
66" (1676) Solid SS Panel	7013367	\$470
72" (1829) Solid SS Panel	7008881	\$500
Tubular Handle		
Door Panel	7030236	\$780
Drawer Panel RH	7030240	\$420
Drawer Panel LH	7030241	\$420
Pro Handle		
Door Panel	7012232	\$780
Drawer Panel RH	7008846	\$420
Drawer Panel LH	7008849	\$420

*84" (2134) finished height. Solid SS panel requires dual installation kit 7012623 or 7004811.

Dual Installation Kit with Dual Wide Grille

DESCRIPTION	NUMBER	MSRP
Framed		
72" (1829) Classic Louvered	7004809	\$1,165
Overlay or Flush Inset		
66" (1676) Grille Frame	7012623	\$930
72" (1829) Grille Frame	7004811	\$970
Stainless Steel Flush Inset		
66" (1676) Pro Louvered	7020162	\$1,085
72" (1829) Pro Louvered	7020163	\$1,130
Stainless Steel		
66" (1676) Pro Louvered	7012624	\$1,225
72" (1829) Pro Louvered	7004813	\$1,255

For handle-to-handle installations only. Kit includes dual wide kickplate and dual wide grille for 84" (2134) finished height, center trim strip, heater and mounting hardware.

Dual Installation Kit

DESCRIPTION	NUMBER	MSRP
All Designs		
Dual Installation Kit	7003411	\$370

For handle-to-handle installations only. Kit includes center trim strip, heater and mounting hardware.

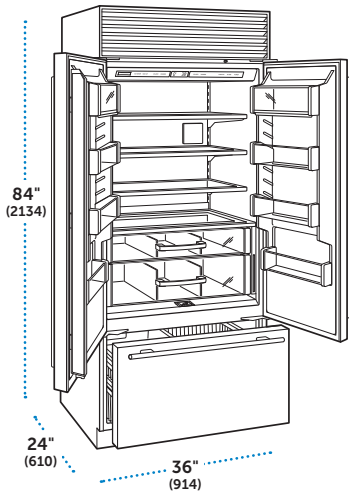
Filters and Cartridges

DESCRIPTION	NUMBER	MSRP
Replacement Filter		
Water Filter	4204490	\$55
Replacement Cartridge		
Air Purification	7007067	\$55

Miscellaneous

DESCRIPTION	NUMBER	MSRP
Mounting Kits		
Custom Side Panel	7003407	\$110
Side Panels		
Stainless Steel (1)	7003408	\$770
White Enamel (1)	7003409	\$530
Stainless Steel Kickplate	7010397	\$40
Egg Container	7007506	\$30
90° Door Stop	7005865	N/C

Classic Series Refrigeration



36" Over-and-Under with French Door

MODEL	MSRP
BI-36UFD/O*	\$9,765
BI-36UFD/S/TH	\$11,410
BI-36UFD/S/PH	\$11,410

*Flush inset and framed design options are achieved by specifying an overlay model. Overlay models include a grille frame that accepts a classic louvered, solid stainless, pro louvered or custom panel insert.

SPECIFICATIONS

Overall Dimensions	36"W (914) x 84"H (2134) x 24"D (610)
Refrigerator Capacity	15.7 cu ft (446 L)
Freezer Capacity	5.3 cu ft (150 L)
Shipping Weight	529 lbs (240 kg)
Annual Energy Usage	\$79 (654 kWh)

FEATURES

Refrigerator

- 3 adjustable glass shelves
- High-humidity drawer with dividers
- Storage drawer with dividers
- 4 adjustable and 2 stationary door shelves
- 2 adjustable dairy compartments
- Air purification system

Freezer

- Automatic ice maker
- Full-extension drawer with 2-tier wire baskets
- Water filtration system

Accessories

Grilles

FINISHED HEIGHT	NUMBER	MSRP
Framed		
83" (2108) Classic Louvered	7003519	\$370
88" (2235) Classic Louvered	7003523	\$470
Overlay or Flush Inset		
83" (2108) Grille Frame	7003531	\$280
84" (2134) Grille Frame	7007136	\$250
88" (2235) Grille Frame	7003535	\$250
Stainless Steel		
83" (2108) Pro Louvered	7003543	\$400
84" (2134) Pro Louvered	7007132	\$460
88" (2235) Pro Louvered	7003547	\$510

Framed Application

DESCRIPTION	NUMBER	MSRP
Classic Louvered Insert*	7014850	\$170
Handles (3)		
Full-Length Standard	7023375	\$230
Full-Length Extended	7023376	\$250
3-Panel Set		
Stainless Steel	7023377	\$560
White Enamel	7023378	\$490

*Slides into overlay grille, 84" (2134) finished height.

Classic Series Refrigeration

Accessories

Flush Inset Panels – Stainless Steel

DESCRIPTION	NUMBER	MSRP
Grille*		
Solid SS Panel	7008869	\$250
Pro Louvered	7020158	\$350
Tubular Handle		
Refrigerator Door Panel**	7029742	\$780
Freezer Drawer Panel	7029743	\$420
Pro Handle		
Refrigerator Door Panel**	7023380	\$780
Freezer Drawer Panel	7008902	\$420

*84" (2134) finished height.

**Must order quantity two.

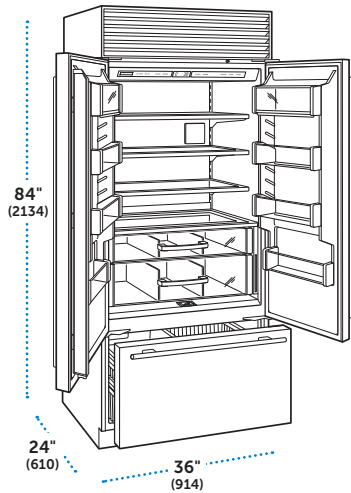
Filters and Cartridges

DESCRIPTION	NUMBER	MSRP
Replacement Filter		
Water Filter	4204490	\$55
Replacement Cartridge		
Air Purification	7007067	\$55

Miscellaneous

DESCRIPTION	NUMBER	MSRP
Mounting Kits		
Custom Front Panels	7020607	\$230
Custom Side Panel	7003407	\$110
Side Panels		
Stainless Steel (1)	7003408	\$770
White Enamel (1)	7003409	\$530
Stainless Steel Kickplate	7010397	\$40
Egg Container	7007506	\$30
90° Door Stop	7005865	N/C

Classic Series Refrigeration



36" Over-and-Under with French Door and Internal Dispenser

MODEL	MSRP
BI-36UFDID/O*	\$10,135
BI-36UFDID/S/TH	\$11,780
BI-36UFDID/S/PH	\$11,780

*Flush inset and framed design options are achieved by specifying an overlay model. Overlay models include a grille frame that accepts a classic louvered, solid stainless, pro louvered or custom panel insert.

SPECIFICATIONS

Overall Dimensions	36"W (914) x 84"H (2134) x 24"D (610)
Refrigerator Capacity	15.7 cu ft (446 L)
Freezer Capacity	5.3 cu ft (150 L)
Shipping Weight	529 lbs (240 kg)
Annual Energy Usage	\$79 (654 kWh)

FEATURES

Refrigerator

- Internal water dispenser
- 3 adjustable glass shelves
- High-humidity drawer with dividers
- Storage drawer with dividers
- 4 adjustable and 2 stationary door shelves
- 2 adjustable dairy compartments
- Air purification system

Freezer

- Automatic ice maker
- Full-extension drawer with 2-tier wire baskets
- Water filtration system

Accessories

Grilles

FINISHED HEIGHT	NUMBER	MSRP
Framed		
83" (2108) Classic Louvered	7003519	\$370
88" (2235) Classic Louvered	7003523	\$470
Overlay or Flush Inset		
83" (2108) Grille Frame	7003531	\$280
84" (2134) Grille Frame	7007136	\$250
88" (2235) Grille Frame	7003535	\$250
Stainless Steel		
83" (2108) Pro Louvered	7003543	\$400
84" (2134) Pro Louvered	7007132	\$460
88" (2235) Pro Louvered	7003547	\$510

Framed Application

DESCRIPTION	NUMBER	MSRP
Classic Louvered Insert*	7014850	\$170
Handles (3)		
Full-Length Standard	7023375	\$230
Full-Length Extended	7023376	\$250
3-Panel Set		
Stainless Steel	7023377	\$560
White Enamel	7023378	\$490

*Slides into overlay grille, 84" (2134) finished height.

Classic Series Refrigeration

Accessories

Flush Inset Panels – Stainless Steel

DESCRIPTION	NUMBER	MSRP
Grille*		
Solid SS Panel	7008869	\$250
Pro Louvered	7020158	\$350
Tubular Handle		
Refrigerator Door Panel**	7029742	\$780
Freezer Drawer Panel	7029743	\$420
Pro Handle		
Refrigerator Door Panel**	7023380	\$780
Freezer Drawer Panel	7008902	\$420

*84" (2134) finished height.

**Must order quantity two.

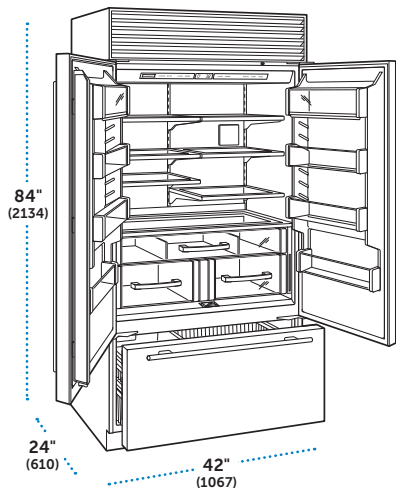
Filters and Cartridges

DESCRIPTION	NUMBER	MSRP
Replacement Filter		
Water Filter	4204490	\$55
Replacement Cartridge		
Air Purification	7007067	\$55

Miscellaneous

DESCRIPTION	NUMBER	MSRP
Mounting Kits		
Custom Front Panels	7020607	\$230
Custom Side Panel	7003407	\$110
Side Panels		
Stainless Steel (1)	7003408	\$770
White Enamel (1)	7003409	\$530
Stainless Steel Kickplate	7010397	\$40
Egg Container	7007506	\$30
90° Door Stop	7005865	N/C

Classic Series Refrigeration



42" Over-and-Under with French Door

MODEL	MSRP
BI-42UFD/O*	\$10,350
BI-42UFD/S/TH	\$12,100
BI-42UFD/S/PH	\$12,100

*Flush inset and framed design options are achieved by specifying an overlay model. Overlay models include a grille frame that accepts a classic louvered, solid stainless, pro louvered or custom panel insert.

SPECIFICATIONS

Overall Dimensions	42"W (1067) x 84"H (2134) x 24"D (610)
Refrigerator Capacity	17.9 cu ft (507 L)
Freezer Capacity	6.3 cu ft (178 L)
Shipping Weight	582 lbs (264 kg)
Annual Energy Usage	\$84 (693 kWh)

FEATURES

Refrigerator

- 6 adjustable glass shelves
- High-humidity drawer with dividers
- 2 storage drawers
- 4 adjustable and 2 stationary door shelves
- 2 adjustable dairy compartments
- Air purification system

Freezer

- Automatic ice maker
- Full-extension drawer with 2-tier wire baskets
- Water filtration system

Accessories

Grilles

FINISHED HEIGHT	NUMBER	MSRP
Framed		
83" (2108) Classic Louvered	7003520	\$385
88" (2235) Classic Louvered	7003524	\$490
Overlay or Flush Inset		
83" (2108) Grille Frame	7003532	\$290
84" (2134) Grille Frame	7007137	\$270
88" (2235) Grille Frame	7003536	\$270
Stainless Steel		
83" (2108) Pro Louvered	7003544	\$420
84" (2134) Pro Louvered	7007133	\$475
88" (2235) Pro Louvered	7003548	\$540

Framed Application

DESCRIPTION	NUMBER	MSRP
Classic Louvered Insert*	7014851	\$200
Handles (3)		
Full-Length Standard	7027154	\$250
Full-Length Extended	7027155	\$305
3-Panel Set		
Stainless Steel	7027158	\$670
White Enamel	7027159	\$590

*Slides into overlay grille, 84" (2134) finished height.

Classic Series Refrigeration

Accessories

Flush Inset Panels – Stainless Steel

DESCRIPTION	NUMBER	MSRP
Grille*		
Solid SS Panel	7008871	\$290
Pro Louvered	7020159	\$370
Tubular Handle		
Refrigerator Door Panel**	7030238	\$815
Freezer Drawer Panel	7030242	\$455
Pro Handle		
Refrigerator Door Panel**	7027169	\$815
Freezer Drawer Panel	7027170	\$455

*84" (2134) finished height.

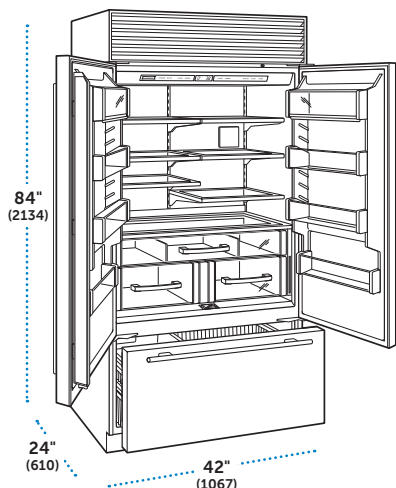
**Must order quantity two.

Filters and Cartridges

DESCRIPTION	NUMBER	MSRP
Replacement Filter		
Water Filter	4204490	\$55
Replacement Cartridge		
Air Purification	7007067	\$55

Miscellaneous

DESCRIPTION	NUMBER	MSRP
Mounting Kits		
Custom Front Panels	7020607	\$230
Custom Side Panel	7003407	\$110
Side Panels		
Stainless Steel (1)	7003408	\$770
White Enamel (1)	7003409	\$530
Stainless Steel Kickplate	7011039	\$40
Egg Container	7007506	\$30
90° Door Stop	7005865	N/C



42" Over-and-Under with French Door and Internal Dispenser

MODEL	MSRP
BI-42UFDID/O*	\$10,720
BI-42UFDID/S/TH	\$12,470
BI-42UFDID/S/PH	\$12,470

*Flush inset and framed design options are achieved by specifying an overlay model. Overlay models include a grille frame that accepts a classic louvered, solid stainless, pro louvered or custom panel insert.

SPECIFICATIONS

Overall Dimensions	42"W (1067) x 84"H (2134) x 24"D (610)
Refrigerator Capacity	18.3 cu ft (518 L)
Freezer Capacity	6.4 cu ft (181 L)
Shipping Weight	582 lbs (264 kg)
Annual Energy Usage	\$84 (693 kWh)

FEATURES

Refrigerator

- Internal water dispenser
- 6 adjustable glass shelves
- High-humidity drawer with dividers
- 2 storage drawers
- 4 adjustable and 2 stationary door shelves
- 2 adjustable dairy compartments
- Air purification system

Freezer

- Automatic ice maker
- Full-extension drawer with 2-tier wire baskets
- Water filtration system

Accessories

Grilles

FINISHED HEIGHT	NUMBER	MSRP
Framed		
83" (2108) Classic Louvered	7003520	\$385
88" (2235) Classic Louvered	7003524	\$490
Overlay or Flush Inset		
83" (2108) Grille Frame	7003532	\$290
84" (2134) Grille Frame	7007137	\$270
88" (2235) Grille Frame	7003536	\$270
Stainless Steel		
83" (2108) Pro Louvered	7003544	\$420
84" (2134) Pro Louvered	7007133	\$475
88" (2235) Pro Louvered	7003548	\$540

Framed Application

DESCRIPTION	NUMBER	MSRP
Classic Louvered Insert*	7014851	\$200
Handles (3)		
Full-Length Standard	7027154	\$250
Full-Length Extended	7027155	\$305
3-Panel Set		
Stainless Steel	7027158	\$670
White Enamel	7027159	\$590

*Slides into overlay grille, 84" (2134) finished height.

Classic Series Refrigeration

Accessories

Flush Inset Panels – Stainless Steel

DESCRIPTION	NUMBER	MSRP
Grille*		
Solid SS Panel	7008871	\$290
Pro Louvered	7020159	\$370
Tubular Handle		
Refrigerator Door Panel**	7030238	\$815
Freezer Drawer Panel	7030242	\$455
Pro Handle		
Refrigerator Door Panel**	7027169	\$815
Freezer Drawer Panel	7027170	\$455

*84" (2134) finished height.

**Must order quantity two.

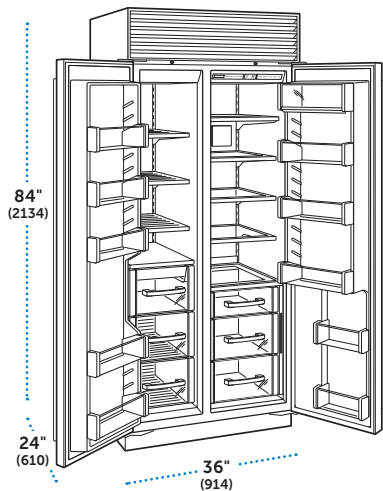
Filters and Cartridges

DESCRIPTION	NUMBER	MSRP
Replacement Filter		
Water Filter	4204490	\$55
Replacement Cartridge		
Air Purification	7007067	\$55

Miscellaneous

DESCRIPTION	NUMBER	MSRP
Mounting Kits		
Custom Front Panels	7020607	\$230
Custom Side Panel	7003407	\$110
Side Panels		
Stainless Steel (1)	7003408	\$770
White Enamel (1)	7003409	\$530
Stainless Steel Kickplate	7011039	\$40
Egg Container	7007506	\$30
90° Door Stop	7005865	N/C

Classic Series Refrigeration



36" Side-by-Side

MODEL	MSRP
BI-36S/O*	\$9,015
BI-36S/S/TH	\$10,660
BI-36S/S/PH	\$10,660

*Flush inset and framed design options are achieved by specifying an overlay model. Overlay models include a grille frame that accepts a classic louvered, solid stainless, pro louvered or custom panel insert.

SPECIFICATIONS

Overall Dimensions	36"W (914) x 84"H (2134) x 24"D (610)
Refrigerator Capacity	12.4 cu ft (351 L)
Freezer Capacity	8.2 cu ft (232 L)
Shipping Weight	538 lbs (244 kg)
Annual Energy Usage	\$86 (715 kWh)

FEATURES

Refrigerator

- 4 adjustable glass shelves
- High-humidity drawer
- 2 storage drawers
- 3 adjustable and 2 stationary door shelves
- Adjustable dairy compartment
- Air purification system

Freezer

- Automatic ice maker
- 3 adjustable wire shelves
- 3 storage drawers
- 5 adjustable door shelves
- Water filtration system

Accessories

Grilles

FINISHED HEIGHT	NUMBER	MSRP
Framed		
83" (2108) Classic Louvered	7003519	\$370
88" (2235) Classic Louvered	7003523	\$470
Overlay or Flush Inset		
83" (2108) Grille Frame	7003531	\$280
84" (2134) Grille Frame	7007136	\$250
88" (2235) Grille Frame	7003535	\$250
Stainless Steel		
83" (2108) Pro Louvered	7003543	\$400
84" (2134) Pro Louvered	7007132	\$460
88" (2235) Pro Louvered	7003547	\$510

Framed Application

DESCRIPTION	NUMBER	MSRP
Classic Louvered Insert*	7014850	\$170
Handles (2)		
Full-Length Standard	7014890	\$170
Full-Length Extended	7003465	\$200
2-Panel Set		
Stainless Steel	7003458	\$560
White Enamel	7004442	\$475

*Slides into overlay grille, 84" (2134) finished height.

Classic Series Refrigeration

Accessories

Flush Inset Panels – Stainless Steel

DESCRIPTION	NUMBER	MSRP
Grille*		
Solid SS Panel	7008869	\$250
Pro Louvered	7020158	\$350
Tubular Handle		
Refrigerator Door Panel	7030218	\$780
Freezer Door Panel	7030219	\$700
Pro Handle		
Refrigerator Door Panel	7008908	\$780
Freezer Door Panel	7008911	\$700

*84" (2134) finished height.

Retrofit Panel Kit

DESCRIPTION	NUMBER	MSRP
Framed	7005228	\$380
Overlay or Flush Inset	7011531	\$380

Retrofit existing 600 series panels onto a new Classic series model.
Grille panel must be reduced in height by 1" (25).

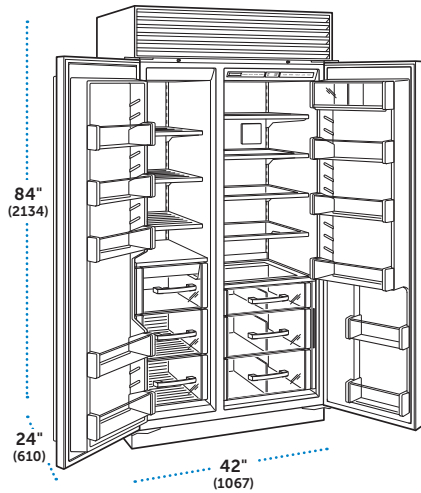
Filters and Cartridges

DESCRIPTION	NUMBER	MSRP
Replacement Filter		
Water Filter	4204490	\$55
Replacement Cartridge		
Air Purification	7007067	\$55

Miscellaneous

DESCRIPTION	NUMBER	MSRP
Mounting Kits		
Custom Front Panels	7020607	\$230
Custom Side Panel	7003407	\$110
Side Panels		
Stainless Steel (1)	7003408	\$770
White Enamel (1)	7003409	\$530
Stainless Steel Kickplate	7007266	\$40
Egg Container	7007506	\$30
90° Door Stop	7005865	N/C

Classic Series Refrigeration



42" Side-by-Side

MODEL	MSRP
BI-42S/O*‡	\$9,600
BI-42S/S/TH	\$11,350
BI-42S/S/PH	\$11,350

*Flush inset and framed design options are achieved by specifying an overlay model. Overlay models include a grille frame that accepts a classic louvered, solid stainless, pro louvered or custom panel insert.

‡This model is not ENERGY STAR® certified.

SPECIFICATIONS

Overall Dimensions	42"W (1067) x 84"H (2134) x 24"D (610)
Refrigerator Capacity	16.3 cu ft (462 L)
Freezer Capacity	8.0 cu ft (227 L)
Shipping Weight	582 lbs (264 kg)
Annual Energy Usage	
BI-42S/O	\$91 (752 kWh)
BI-42S/S/TH(PH)	\$83 (685 kWh)

FEATURES

Refrigerator

- 4 adjustable glass shelves
- High-humidity drawer with divider
- 2 storage drawers with divider
- 3 adjustable and 2 stationary door shelves
- Adjustable dairy compartment
- Air purification system

Freezer

- Automatic ice maker
- 3 adjustable wire shelves
- 3 storage drawers
- 5 adjustable door shelves
- Water filtration system

Accessories

Grilles

FINISHED HEIGHT	NUMBER	MSRP
Framed		
83" (2108) Classic Louvered	7003520	\$385
88" (2235) Classic Louvered	7003524	\$490
Overlay or Flush Inset		
83" (2108) Grille Frame	7003532	\$290
84" (2134) Grille Frame	7007137	\$270
88" (2235) Grille Frame	7003536	\$270
Stainless Steel		
83" (2108) Pro Louvered	7003544	\$420
84" (2134) Pro Louvered	7007133	\$475
88" (2235) Pro Louvered	7003548	\$540

Framed Application

DESCRIPTION	NUMBER	MSRP
Classic Louvered Insert*	7014851	\$200
Handles (2)		
Full-Length Standard	7014890	\$170
Full-Length Extended	7003465	\$200
2-Panel Set		
Stainless Steel	7003459	\$610
White Enamel	7004443	\$560

*Slides into overlay grille, 84" (2134) finished height.

Classic Series Refrigeration

Accessories

Flush Inset Panels – Stainless Steel

DESCRIPTION	NUMBER	MSRP
Grille*		
Solid SS Panel	7008871	\$290
Pro Louvered	7020159	\$370
Tubular Handle		
Refrigerator Door Panel	7030220	\$815
Freezer Door Panel	7030221	\$735
Pro Handle		
Refrigerator Door Panel	7008914	\$815
Freezer Door Panel	7008917	\$735

*84" (2134) finished height.

Retrofit Panel Kit

DESCRIPTION	NUMBER	MSRP
Framed	7005227	\$380
Overlay or Flush Inset	7003400	\$380

Retrofit existing 600 series panels onto a new Classic series model.
Grille panel must be reduced in height by 1" (25).

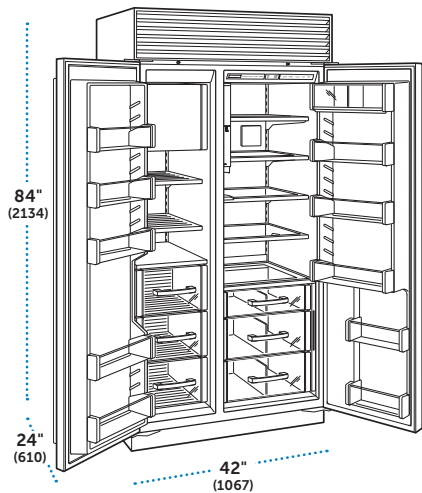
Filters and Cartridges

DESCRIPTION	NUMBER	MSRP
Replacement Filter		
Water Filter	4204490	\$55
Replacement Cartridge		
Air Purification	7007067	\$55

Miscellaneous

DESCRIPTION	NUMBER	MSRP
Mounting Kits		
Custom Front Panels	7020607	\$230
Custom Side Panel	7003407	\$110
Side Panels		
Stainless Steel (1)	7003408	\$770
White Enamel (1)	7003409	\$530
Stainless Steel Kickplate	7011039	\$40
Egg Container	7007506	\$30
90° Door Stop	7005865	N/C

Classic Series Refrigeration



42" Side-by-Side with Internal Dispenser

MODEL	MSRP
BI-42SID/O*	\$10,235
BI-42SID/S/TH	\$11,985
BI-42SID/S/PH	\$11,985

*Flush inset and framed design options are achieved by specifying an overlay model. Overlay models include a grille frame that accepts a classic louvered, solid stainless, pro louvered or custom panel insert.

SPECIFICATIONS

Overall Dimensions	42"W (1067) x 84"H (2134) x 24"D (610)
Refrigerator Capacity	15.8 cu ft (447 L)
Freezer Capacity	7.9 cu ft (224 L)
Shipping Weight	608 lbs (276 kg)
Annual Energy Usage	\$90 (745 kWh)

FEATURES

Refrigerator

- Internal ice and water dispenser
- 4 adjustable glass shelves
- High-humidity drawer with divider
- 2 storage drawers with divider
- 3 adjustable and 2 stationary door shelves
- Adjustable dairy compartment
- Air purification system

Freezer

- Automatic ice maker
- 2 adjustable wire shelves
- 3 storage drawers
- 5 adjustable door shelves
- Water filtration system

Accessories

Grilles

FINISHED HEIGHT	NUMBER	MSRP
Framed		
83" (2108) Classic Louvered	7003520	\$385
88" (2235) Classic Louvered	7003524	\$490
Overlay or Flush Inset		
83" (2108) Grille Frame	7003532	\$290
84" (2134) Grille Frame	7007137	\$270
88" (2235) Grille Frame	7003536	\$270
Stainless Steel		
83" (2108) Pro Louvered	7003544	\$420
84" (2134) Pro Louvered	7007133	\$475
88" (2235) Pro Louvered	7003548	\$540

Framed Application

DESCRIPTION	NUMBER	MSRP
Classic Louvered Insert*	7014851	\$200
Handles (2)		
Full-Length Standard	7014890	\$170
Full-Length Extended	7003465	\$200
2-Panel Set		
Stainless Steel	7003459	\$610
White Enamel	7004443	\$560

*Slides into overlay grille, 84" (2134) finished height.

Classic Series Refrigeration

Accessories

Flush Inset Panels – Stainless Steel

DESCRIPTION	NUMBER	MSRP
Grille*		
Solid SS Panel	7008871	\$290
Pro Louvered	7020159	\$370
Tubular Handle		
Refrigerator Door Panel	7030220	\$815
Freezer Door Panel	7030221	\$735
Pro Handle		
Refrigerator Door Panel	7008914	\$815
Freezer Door Panel	7008917	\$735

*84" (2134) finished height.

Retrofit Panel Kit

DESCRIPTION	NUMBER	MSRP
Framed	7005227	\$380
Overlay or Flush Inset	7003400	\$380

Retrofit existing 600 series panels onto a new Classic series model.
Grille panel must be reduced in height by 1" (25).

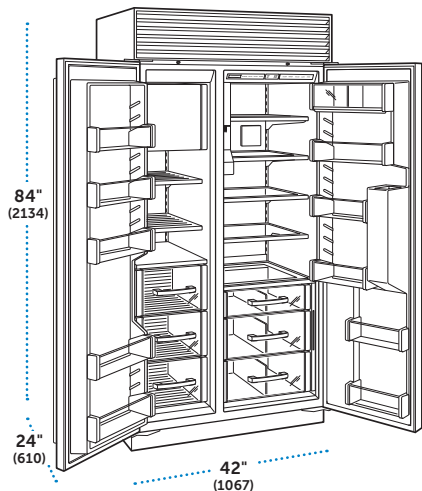
Filters and Cartridges

DESCRIPTION	NUMBER	MSRP
Replacement Filter		
Water Filter	4204490	\$55
Replacement Cartridge		
Air Purification	7007067	\$55

Miscellaneous

DESCRIPTION	NUMBER	MSRP
Mounting Kits		
Custom Front Panels	7020607	\$230
Custom Side Panel	7003407	\$110
Side Panels		
Stainless Steel (1)	7003408	\$770
White Enamel (1)	7003409	\$530
Stainless Steel Kickplate	7011039	\$40
Egg Container	7007506	\$30
90° Door Stop	7005865	N/C

Classic Series Refrigeration



42" Side-by-Side with Dispenser

MODEL	MSRP
BI-42SD/O*	\$10,660
BI-42SD/S/TH	\$12,410
BI-42SD/S/PH	\$12,410

*Flush inset and framed design options are achieved by specifying an overlay model. Overlay models include a grille frame that accepts a classic louvered, solid stainless, pro louvered or custom panel insert.

SPECIFICATIONS

Overall Dimensions	42"W (1067) x 84"H (2134) x 24"D (610)
Refrigerator Capacity	16.0 cu ft (453 L)
Freezer Capacity	7.9 cu ft (224 L)
Shipping Weight	608 lbs (276 kg)
Annual Energy Usage	\$98 (809 kWh)

FEATURES

Refrigerator

- 4 adjustable glass shelves
- High-humidity drawer with divider
- 2 storage drawers with divider
- 3 adjustable and 2 stationary door shelves
- Adjustable dairy compartment
- Air purification system

Freezer

- Automatic ice maker with dispenser
- 2 adjustable wire shelves
- 3 storage drawers
- 5 adjustable door shelves
- Water filtration system

Accessories

Grilles

FINISHED HEIGHT	NUMBER	MSRP
Framed		
83" (2108) Classic Louvered	7003520	\$385
88" (2235) Classic Louvered	7003524	\$490
Overlay or Flush Inset		
83" (2108) Grille Frame	7003532	\$290
84" (2134) Grille Frame	7007137	\$270
88" (2235) Grille Frame	7003536	\$270
Stainless Steel		
83" (2108) Pro Louvered	7003544	\$420
84" (2134) Pro Louvered	7007133	\$475
88" (2235) Pro Louvered	7003548	\$540

Framed Application

DESCRIPTION	NUMBER	MSRP
Classic Louvered Insert*	7014851	\$200
Handles (2)		
Full-Length Standard	7014890	\$170
Full-Length Extended	7003465	\$200
2-Panel Set		
Stainless Steel	7005088	\$630
White Enamel	7005090	\$590
Partial Framed Kit	7004855	\$215

*Slides into overlay grille, 84" (2134) finished height.

Classic Series Refrigeration

Accessories

Flush Inset Panels – Stainless Steel

DESCRIPTION	NUMBER	MSRP
Grille*		
Solid SS Panel	7008871	\$290
Pro Louvered	7020159	\$370
Tubular Handle		
Refrigerator Door Panel	7030222	\$815
Freezer Door Panel	7030221	\$735
Pro Handle		
Refrigerator Door Panel	7008920	\$850
Freezer Door Panel	7008917	\$735

*84" (2134) finished height.

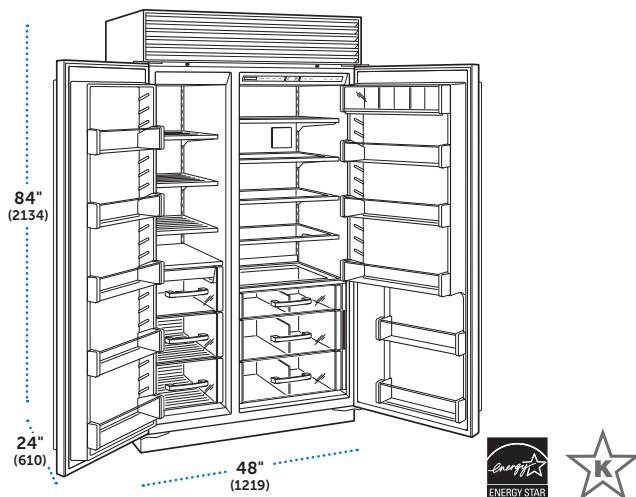
Filters and Cartridges

DESCRIPTION	NUMBER	MSRP
Replacement Filter		
Water Filter	4204490	\$55
Replacement Cartridge		
Air Purification	7007067	\$55

Miscellaneous

DESCRIPTION	NUMBER	MSRP
Mounting Kits		
Custom Front Panels	7020607	\$230
Custom Side Panel	7003407	\$110
Side Panels		
Stainless Steel (1)	7003408	\$770
White Enamel (1)	7003409	\$530
Stainless Steel Kickplate	7011039	\$40
Egg Container	7007506	\$30
90° Door Stop	7005865	N/C

Classic Series Refrigeration



48" Side-by-Side

MODEL	MSRP
BI-48S/O**	\$10,395
BI-48S/S/TH	\$12,250
BI-48S/S/PH	\$12,250

*Flush inset and framed design options are achieved by specifying an overlay model. Overlay models include a grille frame that accepts a classic louvered, solid stainless, pro louvered or custom panel insert.

†This model is not ENERGY STAR® certified.

SPECIFICATIONS

Overall Dimensions	48"W (1219) x 84"H (2134) x 24"D (610)
Refrigerator Capacity	19.1 cu ft (541 L)
Freezer Capacity	9.8 cu ft (278 L)
Shipping Weight	630 lbs (286 kg)
Annual Energy Usage	
BI-48S/O	\$98 (811 kWh)
BI-48S/S/TH(PH)	\$89 (738 kWh)

FEATURES

Refrigerator

- 4 adjustable glass shelves
- High-humidity drawer with divider
- 2 storage drawers with divider
- 3 adjustable and 2 stationary door shelves
- Adjustable dairy compartment
- Air purification system

Freezer

- Automatic ice maker
- 3 adjustable wire shelves
- 3 storage drawers
- 5 adjustable door shelves
- Water filtration system

Accessories

Grilles

FINISHED HEIGHT	NUMBER	MSRP
Framed		
83" (2108) Classic Louvered	7003521	\$420
88" (2235) Classic Louvered	7003525	\$510
Overlay or Flush Inset		
83" (2108) Grille Frame	7003533	\$300
84" (2134) Grille Frame	7007138	\$280
88" (2235) Grille Frame	7003537	\$280
Stainless Steel		
83" (2108) Pro Louvered	7003545	\$440
84" (2134) Pro Louvered	7007134	\$490
88" (2235) Pro Louvered	7003549	\$550

Framed Application

DESCRIPTION	NUMBER	MSRP
Classic Louvered Insert*	7014852	\$215
Handles (2)		
Full-Length Standard	7014890	\$170
Full-Length Extended	7003465	\$200
2-Panel Set		
Stainless Steel	7003460	\$655
White Enamel	7004444	\$620

*Slides into overlay grille, 84" (2134) finished height.

Classic Series Refrigeration

Accessories

Flush Inset Panels – Stainless Steel

DESCRIPTION	NUMBER	MSRP
Grille*		
Solid SS Panel	7008872	\$330
Pro Louvered	7020160	\$385
Tubular Handle		
Refrigerator Door Panel	7030223	\$845
Freezer Door Panel	7030224	\$765
Pro Handle		
Refrigerator Door Panel	7008923	\$845
Freezer Door Panel	7008926	\$765

*84" (2134) finished height.

Retrofit Panel Kit

DESCRIPTION	NUMBER	MSRP
Framed	7005226	\$380
Overlay or Flush Inset	7003399	\$380

Retrofit existing 600 series panels onto a new Classic series model.
Grille panel must be reduced in height by 1" (25).

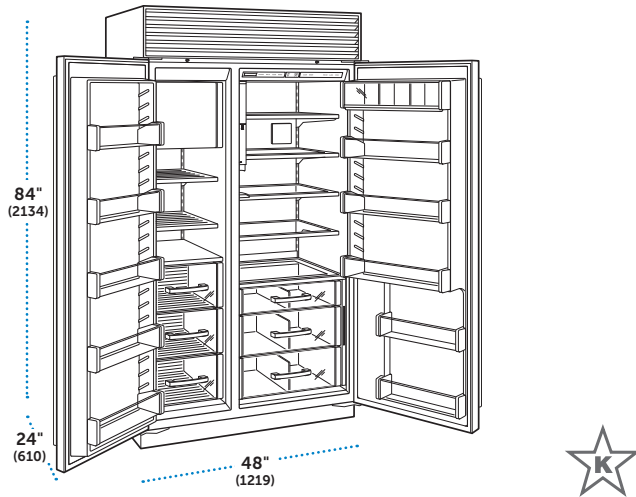
Filters and Cartridges

DESCRIPTION	NUMBER	MSRP
Replacement Filter		
Water Filter	4204490	\$55
Replacement Cartridge		
Air Purification	7007067	\$55

Miscellaneous

DESCRIPTION	NUMBER	MSRP
Mounting Kits		
Custom Front Panels	7020607	\$230
Custom Side Panel	7003407	\$110
Side Panels		
Stainless Steel (1)	7003408	\$770
White Enamel (1)	7003409	\$530
Stainless Steel Kickplate	7011049	\$40
Egg Container	7007506	\$30
90° Door Stop	7005865	N/C

Classic Series Refrigeration



48" Side-by-Side with Internal Dispenser

MODEL	MSRP
BI-48SID/O*	\$11,030
BI-48SID/S/TH	\$12,885
BI-48SID/S/PH	\$12,885

*Flush inset and framed design options are achieved by specifying an overlay model. Overlay models include a grille frame that accepts a classic louvered, solid stainless, pro louvered or custom panel insert.

SPECIFICATIONS

Overall Dimensions	48"W (1219) x 84"H (2134) x 24"D (610)
Refrigerator Capacity	18.6 cu ft (527 L)
Freezer Capacity	9.6 cu ft (272 L)
Shipping Weight	656 lbs (298 kg)
Annual Energy Usage	\$97 (803 kWh)

FEATURES

Refrigerator

- Internal ice and water dispenser
- 4 adjustable glass shelves
- High-humidity drawer with divider
- 2 storage drawers with divider
- 3 adjustable and 2 stationary door shelves
- Adjustable dairy compartment
- Air purification system

Freezer

- Automatic ice maker
- 2 adjustable wire shelves
- 3 storage drawers
- 5 adjustable door shelves
- Water filtration system

Accessories

Grilles

FINISHED HEIGHT	NUMBER	MSRP
Framed		
83" (2108) Classic Louvered	7003521	\$420
88" (2235) Classic Louvered	7003525	\$510
Overlay or Flush Inset		
83" (2108) Grille Frame	7003533	\$300
84" (2134) Grille Frame	7007138	\$280
88" (2235) Grille Frame	7003537	\$280
Stainless Steel		
83" (2108) Pro Louvered	7003545	\$440
84" (2134) Pro Louvered	7007134	\$490
88" (2235) Pro Louvered	7003549	\$550

Framed Application

DESCRIPTION	NUMBER	MSRP
Classic Louvered Insert*	7014852	\$215
Handles (2)		
Full-Length Standard	7014890	\$170
Full-Length Extended	7003465	\$200
2-Panel Set		
Stainless Steel	7003460	\$655
White Enamel	7004444	\$620

*Slides into overlay grille, 84" (2134) finished height.

Classic Series Refrigeration

Accessories

Flush Inset Panels – Stainless Steel

DESCRIPTION	NUMBER	MSRP
Grille*		
Solid SS Panel	7008872	\$330
Pro Louvered	7020160	\$385
Tubular Handle		
Refrigerator Door Panel	7030223	\$845
Freezer Door Panel	7030224	\$765
Pro Handle		
Refrigerator Door Panel	7008923	\$845
Freezer Door Panel	7008926	\$765

*84" (2134) finished height.

Retrofit Panel Kit

DESCRIPTION	NUMBER	MSRP
Framed	7005226	\$380
Overlay or Flush Inset	7003399	\$380

Retrofit existing 600 series panels onto a new Classic series model.
Grille panel must be reduced in height by 1" (25).

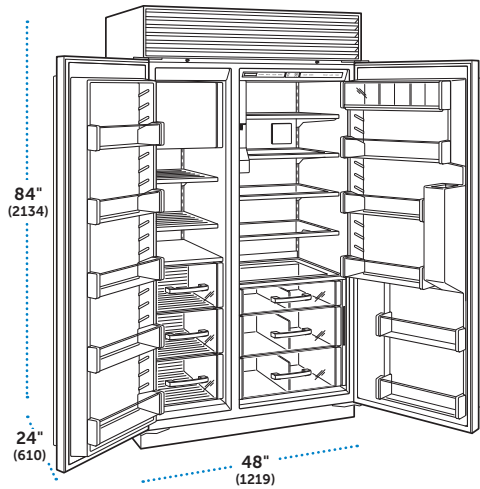
Filters and Cartridges

DESCRIPTION	NUMBER	MSRP
Replacement Filter		
Water Filter	4204490	\$55
Replacement Cartridge		
Air Purification	7007067	\$55

Miscellaneous

DESCRIPTION	NUMBER	MSRP
Mounting Kits		
Custom Front Panels	7020607	\$230
Custom Side Panel	7003407	\$110
Side Panels		
Stainless Steel (1)	7003408	\$770
White Enamel (1)	7003409	\$530
Stainless Steel Kickplate	7011049	\$40
Egg Container	7007506	\$30
90° Door Stop	7005865	N/C

Classic Series Refrigeration



48" Side-by-Side with Dispenser

MODEL	MSRP
BI-48SD/O*	\$11,455
BI-48SD/S/TH	\$13,310
BI-48SD/S/PH	\$13,310

*Flush inset and framed design options are achieved by specifying an overlay model. Overlay models include a grille frame that accepts a classic louvered, solid stainless, pro louvered or custom panel insert.

SPECIFICATIONS

Overall Dimensions	48"W (1219) x 84"H (2134) x 24"D (610)
Refrigerator Capacity	18.8 cu ft (532 L)
Freezer Capacity	9.6 cu ft (272 L)
Shipping Weight	656 lbs (298 kg)
Annual Energy Usage	\$105 (867 kWh)

FEATURES

Refrigerator

- 4 adjustable glass shelves
- High-humidity drawer with divider
- 2 storage drawers with divider
- 3 adjustable and 2 stationary door shelves
- Adjustable dairy compartment
- Air purification system

Freezer

- Automatic ice maker with dispenser
- 2 adjustable wire shelves
- 3 storage drawers
- 5 adjustable door shelves
- Water filtration system

Accessories

Grilles

FINISHED HEIGHT	NUMBER	MSRP
Framed		
83" (2108) Classic Louvered	7003521	\$420
88" (2235) Classic Louvered	7003525	\$510
Overlay or Flush Inset		
83" (2108) Grille Frame	7003533	\$300
84" (2134) Grille Frame	7007138	\$280
88" (2235) Grille Frame	7003537	\$280
Stainless Steel		
83" (2108) Pro Louvered	7003545	\$440
84" (2134) Pro Louvered	7007134	\$490
88" (2235) Pro Louvered	7003549	\$550

Framed Application

DESCRIPTION	NUMBER	MSRP
Classic Louvered Insert*	7014852	\$215
Handles (2)		
Full-Length Standard	7014890	\$170
Full-Length Extended	7003465	\$200
2-Panel Set		
Stainless Steel	7005089	\$700
White Enamel	7005091	\$640
Partial Framed Kit	7004855	\$215

*Slides into overlay grille, 84" (2134) finished height.

Classic Series Refrigeration

Accessories

Flush Inset Panels – Stainless Steel

DESCRIPTION	NUMBER	MSRP
Grille*		
Solid SS Panel	7008872	\$330
Pro Louvered	7020160	\$385
Tubular Handle		
Refrigerator Door Panel	7030225	\$845
Freezer Door Panel	7030224	\$765
Pro Handle		
Refrigerator Door Panel	7008929	\$845
Freezer Door Panel	7008926	\$765

*84" (2134) finished height.

Filters and Cartridges

DESCRIPTION	NUMBER	MSRP
Replacement Filter		
Water Filter	4204490	\$55
Replacement Cartridge		
Air Purification	7007067	\$55

Miscellaneous

DESCRIPTION	NUMBER	MSRP
Mounting Kits		
Custom Front Panels	7020607	\$230
Custom Side Panel	7003407	\$110
Side Panels		
Stainless Steel (1)	7003408	\$770
White Enamel (1)	7003409	\$530
Stainless Steel Kickplate	7011049	\$40
Egg Container	7007506	\$30
90° Door Stop	7005865	N/C

PRO Series Refrigeration

The only thing more impressive than its bold exterior is the groundbreaking technology and design found inside the reimagined PRO series. Fitted with the most advanced preservation system, the next-generation PRO 48 and all-new PRO 36 continue to fulfill our promise of keeping food fresher longer. Crafted with stainless steel inside and out, it checks all the boxes for those desiring the most luxurious, professional aesthetic. And now in a smaller width, it opens up new design opportunities for small and large kitchens alike. The PRO 36 and PRO 48 are available with or without a glass door and may be either built-in or freestanding.

- Can be used freestanding or installed as a standard or flush built-in application.
- Handles coordinate with Wolf ranges and Cove dishwashers.
- Stainless steel interior as well as exterior.
- Dual refrigeration system enhanced with dual evaporators allow independent control of storage conditions in refrigerator cabinet and drawer compartments.
- Advanced water filtration and air purification systems.
- Exterior touch control panels.
- Flip-up grille provides easy access for routine maintenance.
- All models are Star-K certified.

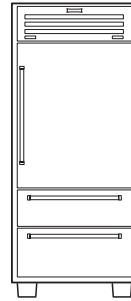
MODEL NUMBER KEY

PRO Series Refrigeration	PRO
Glass Door	G
High Altitude Glass Door	A
Left-Hinge	-LH
Right-Hinge	-RH

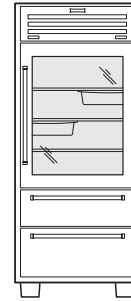
Annual energy usage based on 12 cents per kilowatt hour.

Models PRO4850A and PRO3650A with high altitude glass door are available for installations above 5,000' (1524 m) in elevation.

PRO 36 Models

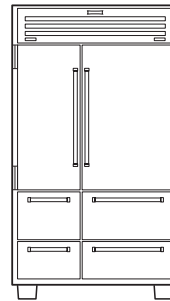


PRO3650

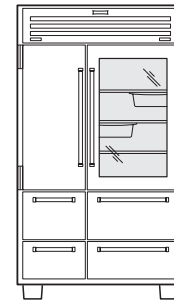


PRO3650G

PRO 48 Models

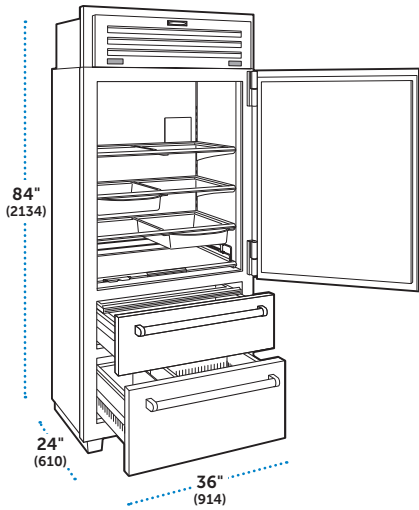


PRO4850



PRO4850G

PRO Series Refrigeration



36" PRO Refrigerator/Freezer

MODEL	MSRP
PRO3650	\$13,965

SPECIFICATIONS

Overall Dimensions	36"W (914) x 84"H (2134) x 24"D (610)
Refrigerator Capacity	18.4 cu ft (521 L)
Freezer Capacity	4.3 cu ft (122 L)
Shipping Weight	630 lbs (286 kg)
Annual Energy Usage	\$80 (664 kWh)

FEATURES

Refrigerator

- 3 adjustable glass shelves
- 2 stainless steel slide-out bins
- Sliding glass shelf with folding gates
- 1 crisper drawer with cover
- Set of interchangeable drawer dividers
- Air purification system

Freezer

- Automatic ice maker
- Full-extension drawer
- Stainless steel ice bucket
- Water filtration system

Accessories

Stainless Steel Panels

DESCRIPTION	NUMBER	MSRP
Side Panel	9013058	\$620
Top Panel*	9013005	\$210
Kickplate	9013060	\$90

*Requires at least one side panel for proper installation.

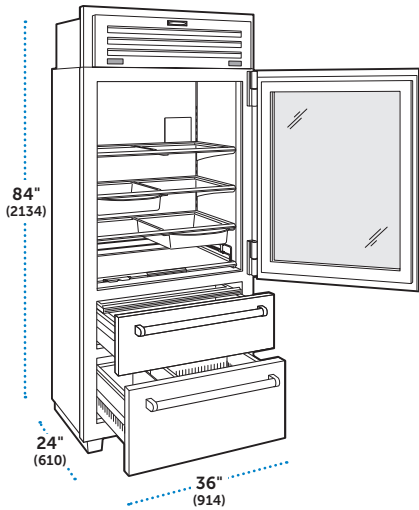
Filters and Cartridges

DESCRIPTION	NUMBER	MSRP
Replacement Filter		
Water Filter	4204490	\$55
Replacement Cartridge		
Air Purification	7007067	\$55

Miscellaneous

DESCRIPTION	NUMBER	MSRP
Dual Installation Kit*	9013050	\$240
Slide-Out Bin	9013059	\$150
Drawer Divider Set	9018894	\$125
Slide-Out Shelf Gates (2)	9019829	\$70
Egg Container	7007506	\$30
90° Door Stop	0000046	N/C

*Handle-to-handle installation only.



36" PRO Refrigerator/Freezer with Glass Door

MODEL	MSRP
PRO3650G	\$13,965

SPECIFICATIONS

Overall Dimensions	36"W (914) x 84"H (2134) x 24"D (610)
Refrigerator Capacity	18.4 cu ft (521 L)
Freezer Capacity	4.3 cu ft (122 L)
Shipping Weight	650 lbs (295 kg)
Annual Energy Usage	\$80 (664 kWh)

FEATURES

Refrigerator

- 3 adjustable glass shelves
- 2 stainless steel slide-out bins
- Sliding glass shelf with folding gates
- 1 crisper drawer
- Crisper cover
- Set of interchangeable drawer dividers
- Triple-pane, UV-resistant glass door
- High altitude glass available
- Air purification system

Freezer

- Automatic ice maker
- Full-extension drawer
- Stainless steel ice bucket
- Water filtration system

Accessories

Stainless Steel Panels

DESCRIPTION	NUMBER	MSRP
Side Panel	9013058	\$620
Top Panel*	9013005	\$210
Kickplate	9013060	\$90

*Requires at least one side panel for proper installation.

Filters and Cartridges

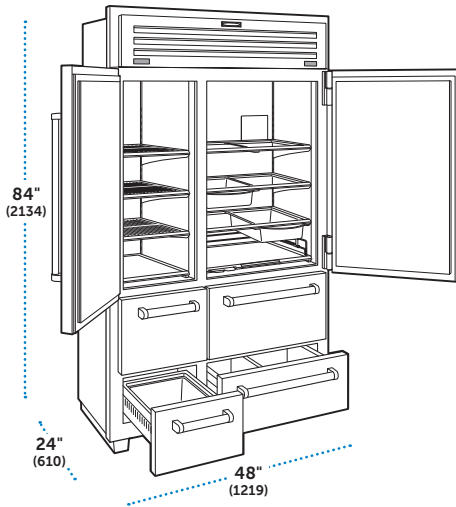
DESCRIPTION	NUMBER	MSRP
Replacement Filter		
Water Filter	4204490	\$55
Replacement Cartridge		
Air Purification	7007067	\$55

Miscellaneous

DESCRIPTION	NUMBER	MSRP
Dual Installation Kit*	9013050	\$240
Slide-Out Bin	9013059	\$150
Drawer Divider Set	9018894	\$125
Slide-Out Shelf Gates (2)	9019829	\$70
Egg Container	7007506	\$30
90° Door Stop	0000046	N/C

*Handle-to-handle installation only.

PRO Series Refrigeration



48" PRO Refrigerator/Freezer

MODEL	MSRP
PRO4850	\$17,965

SPECIFICATIONS

Overall Dimensions	48"W (1219) x 84"H (2134) x 24"D (610)
Refrigerator Capacity	18.7 cu ft (530 L)
Freezer Capacity	11.7 cu ft (332 L)
Shipping Weight	860 lbs (390 kg)
Annual Energy Usage	\$101 (841 kWh)

FEATURES

Refrigerator

- 3 adjustable glass shelves
- 2 stainless steel slide-out bins
- Sliding glass shelf with folding gates
- 2 storage drawers
- Crisper cover
- Set of interchangeable drawer dividers
- Air purification system

Freezer

- Automatic ice maker
- 3 adjustable stainless steel shelves
- 2 storage drawers
- Stainless steel ice bucket
- Water filtration system

Accessories

Stainless Steel Panels

DESCRIPTION	NUMBER	MSRP
Side Panel	9013058	\$620
Top Panel*	9013057	\$250
Kickplate	9013060	\$90

*Requires at least one side panel for proper installation.

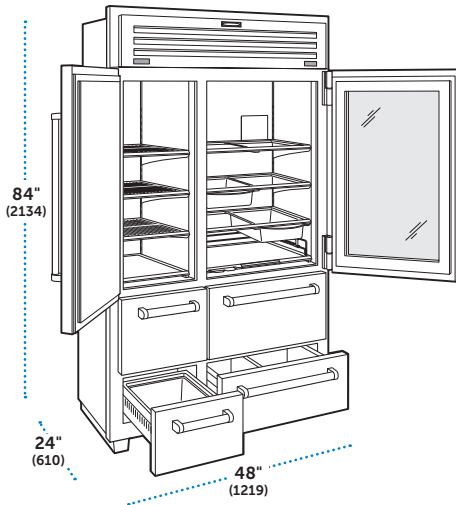
Filters and Cartridges

DESCRIPTION	NUMBER	MSRP
Replacement Filter		
Water Filter	4204490	\$55
Replacement Cartridge		
Air Purification	7007067	\$55

Miscellaneous

DESCRIPTION	NUMBER	MSRP
Slide-Out Bin	0000045	\$150
Drawer Divider Set	9018893	\$125
Slide-Out Shelf Gates (2)	9019829	\$70
Egg Container	7007506	\$30
90° Door Stop	0000046	N/C

PRO Series Refrigeration



48" PRO Refrigerator/Freezer with Glass Door

MODEL	MSRP
PRO4850G	\$17,965

SPECIFICATIONS

Overall Dimensions	48"W (1219) x 84"H (2134) x 24"D (610)
Refrigerator Capacity	18.7 cu ft (530 L)
Freezer Capacity	11.7 cu ft (332 L)
Shipping Weight	880 lbs (399 kg)
Annual Energy Usage	\$101 (841 kWh)

FEATURES

Refrigerator

- 3 adjustable glass shelves
- 2 stainless steel slide-out bins
- Sliding glass shelf with folding gates
- 2 storage drawers
- Crisper cover
- Set of interchangeable drawer dividers
- Triple-pane, UV-resistant glass door
- High altitude glass available
- Air purification system

Freezer

- Automatic ice maker
- 3 adjustable stainless steel shelves
- 2 storage drawers
- Stainless steel ice bucket
- Water filtration system

Accessories

Stainless Steel Panels

DESCRIPTION	NUMBER	MSRP
Side Panel	9013058	\$620
Top Panel*	9013057	\$250
Kickplate	9013060	\$90

*Requires at least one side panel for proper installation.

Filters and Cartridges

DESCRIPTION	NUMBER	MSRP
Replacement Filter		
Water Filter	4204490	\$55
Replacement Cartridge		
Air Purification	7007067	\$55

Miscellaneous

DESCRIPTION	NUMBER	MSRP
Slide-Out Bin	0000045	\$150
Drawer Divider Set	9018893	\$125
Slide-Out Shelf Gates (2)	9019829	\$70
Egg Container	7007506	\$30
90° Door Stop	0000046	N/C

Designer Series Refrigeration

Designer Series Refrigeration

Sub-Zero Designer series models are installed flush to merge seamlessly into their surroundings, making them as practical and beautiful in the master suite, bar, or theatre as in the kitchen. For a more traditional look, Designer series units can be fitted with stainless steel accessory panels.

MODEL NUMBER KEY

Designer Series Column	IC
Designer Series Tall	IT
Designer Series Drawers	ID
All Refrigerator	R
All Freezer	F
Combination Refrigerator/Freezer	C
Internal Dispenser	ID
Ice Maker	I
Outdoor Model	O
Right-Hinge	-RH
Left-Hinge	-LH

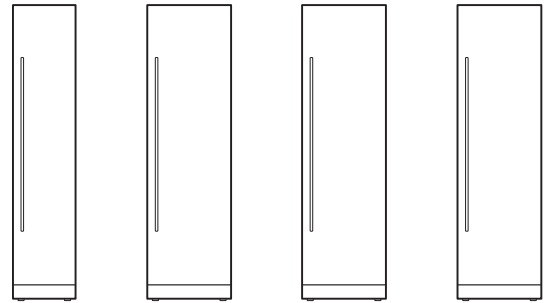
Models are shown with stainless steel panels and tubular handles.

Specify right-hinge (-RH) or left-hinge (-LH) door when ordering, excludes drawer models.

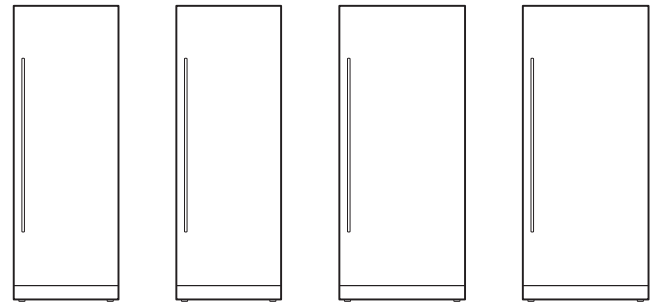
Overall dimensions do not include panels or handles. Dimensions will vary with panel thickness.

Annual energy usage is based on 12 cents per kilowatt hour.

Column Models

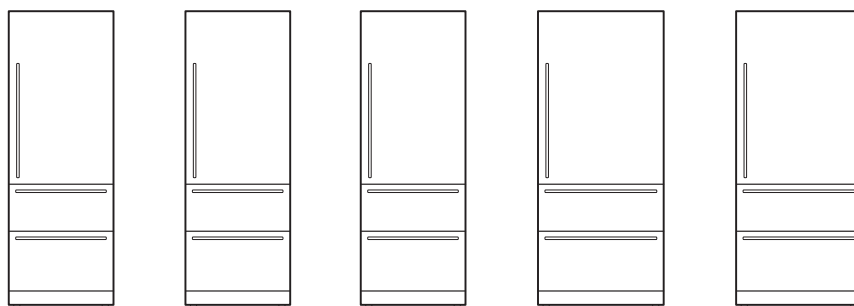


IC-18FI IC-24R IC-24FI IC-24C(I)



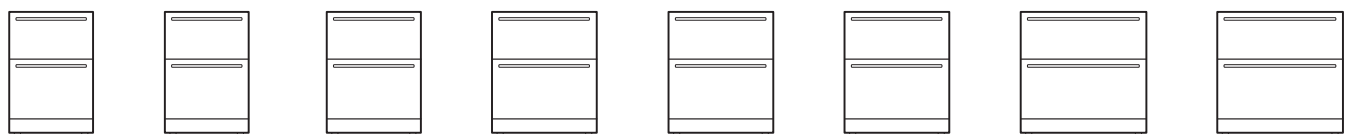
IC-30R(ID) IC-30FI IC-36R(ID) IC-36FI

Tall Models

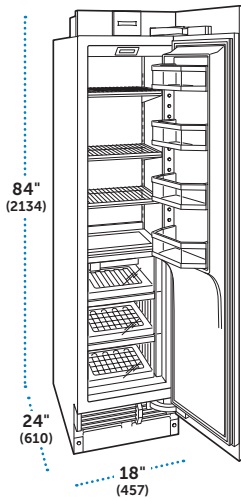


IT-30R(ID) IT-30FI IT-30CI(ID) IT-36R(ID) IT-36CI(ID)

Drawer Models



ID-24R(O) ID-24F(I) ID-27R ID-30R ID-30F(I) ID-30C(I) ID-36R ID-36C(I)



18" All Freezer – Column

MODEL	MSRP
IC-18FI	\$7,135

SPECIFICATIONS

Overall Dimensions	18"W (457) x 84"H (2134) x 24"D (610)
Freezer Capacity	8.4 cu ft (238 L)
Shipping Weight	260 lbs (118 kg)
Annual Energy Usage	\$59 (490 kWh)

FEATURES

- 3 adjustable wire shelves
- 3 storage drawers
- 4 adjustable door shelves
- Automatic ice maker
- Water filtration system

Accessories

Stainless Steel Door Panels

DESCRIPTION	NUMBER	MSRP
84" (2134) Fin Height – 4" (102) Toe Kick		
Tubular Handle / RH	7025372	\$555
Tubular Handle / LH	7025373	\$555
Pro Handle / RH	7025324	\$555
Pro Handle / LH	7025325	\$555
84" (2134) Fin Height – 6" (152) Toe Kick		
Tubular Handle / RH	7025374	\$555
Tubular Handle / LH	7025375	\$555
Pro Handle / RH	7025326	\$555
Pro Handle / LH	7025327	\$555

Dual Installation

DESCRIPTION	NUMBER	MSRP
Dual Installation Kits		
Handle-to-Handle	7023628	\$240
Handle-to-Hinge	7029829	\$240
Hinge-to-Hinge	7029830	\$240
Kickplates*		
36" (914) Stainless Steel	7026837	\$50
42" (1067) Stainless Steel	7027399	\$50
48" (1219) Stainless Steel	7026838	\$50
54" (1372) Stainless Steel	7026839	\$50

*Will accommodate 4" (102) and 6" (152) toe kick heights.

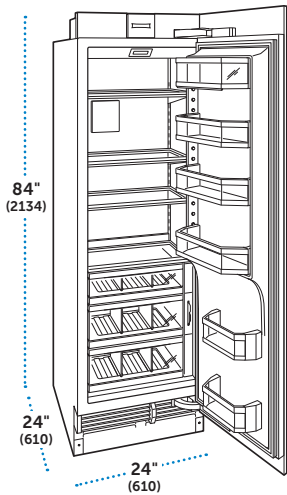
Miscellaneous

DESCRIPTION	NUMBER	MSRP
Enclosure Panels		
Stainless Steel Side (1)*	7031340	\$995
Stainless Steel Top	7031341	\$380
Press-To-Open Kits†		
Press-To-Open Kit / RH	9018427	\$99
Press-To-Open Kit / LH	9018428	\$99
Reduced Toe Kick Divider**	7029956	\$40
Water Filter	4204490	\$55

*Two side enclosures are required to install top enclosure.

**Required for toekicks from 3 7/8" (98) to 2" (51).

†When installed, the appliance will no longer meet Star-K certification.



24" All Refrigerator – Column

MODEL	MSRP
IC-24R	\$7,395

SPECIFICATIONS

Overall Dimensions	24"W (610) x 84"H (2134) x 24"D (610)
Refrigerator Capacity	12.9 cu ft (365 L)
Shipping Weight	340 lbs (154 kg)
Annual Energy Usage	\$36 (298 kWh)

FEATURES

- 3 adjustable glass shelves
- 2 high humidity crisper drawers with dividers
- Deli drawer with dividers
- 3 adjustable and 2 stationary door shelves
- Adjustable dairy compartment
- Air purification system

Accessories

Stainless Steel Door Panels

DESCRIPTION	NUMBER	MSRP
84" (2134) Fin Height – 4" (102) Toe Kick		
Tubular Handle / RH	7023710	\$665
Tubular Handle / LH	7023711	\$665
Pro Handle / RH	7025320	\$665
Pro Handle / LH	7025321	\$665
84" (2134) Fin Height – 6" (152) Toe Kick		
Tubular Handle / RH	7025370	\$665
Tubular Handle / LH	7025371	\$665
Pro Handle / RH	7025322	\$665
Pro Handle / LH	7025323	\$665

Dual Installation

DESCRIPTION	NUMBER	MSRP
Dual Installation Kits		
Handle-to-Handle	7023628	\$240
Handle-to-Hinge	7029829	\$240
Hinge-to-Hinge	7029830	\$240
Kickplates*		
42" (1067) Stainless Steel	7027399	\$50
48" (1219) Stainless Steel	7026838	\$50
54" (1372) Stainless Steel	7026839	\$50
60" (1524) Stainless Steel	7026840	\$60

*Will accommodate 4" (102) and 6" (152) toe kick heights.

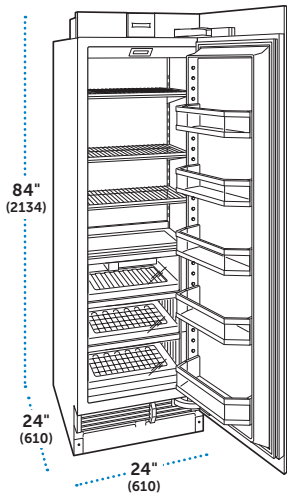
Miscellaneous

DESCRIPTION	NUMBER	MSRP
Enclosure Panels		
Stainless Steel Side (1)*	7031340	\$995
Stainless Steel Top	7031342	\$420
Press-To-Open Kits†		
Press-To-Open Kit / RH	9018427	\$99
Press-To-Open Kit / LH	9018428	\$99
Reduced Toe Kick Divider**	7029956	\$40
Egg Container	7007506	\$30
Air Purification Cartridge	7007067	\$55

*Two side enclosures are required to install top enclosure.

**Required for toekicks from 3⁷/₈" (98) to 2" (51).

†When installed, the appliance will no longer meet Star-K certification.



24" All Freezer – Column

MODEL	MSRP
IC-24FI	\$7,560

SPECIFICATIONS

Overall Dimensions	24"W (610) x 84"H (2134) x 24"D (610)
Freezer Capacity	12.3 cu ft (348 L)
Shipping Weight	340 lbs (154 kg)
Annual Energy Usage	\$67 (558 kWh)

FEATURES

- 3 adjustable wire shelves
- 3 storage drawers
- 5 adjustable door shelves
- Automatic ice maker
- Water filtration system

Accessories

Stainless Steel Door Panels

DESCRIPTION	NUMBER	MSRP
84" (2134) Fin Height – 4" (102) Toe Kick		
Tubular Handle / RH	7023710	\$665
Tubular Handle / LH	7023711	\$665
Pro Handle / RH	7025320	\$665
Pro Handle / LH	7025321	\$665
84" (2134) Fin Height – 6" (152) Toe Kick		
Tubular Handle / RH	7025370	\$665
Tubular Handle / LH	7025371	\$665
Pro Handle / RH	7025322	\$665
Pro Handle / LH	7025323	\$665

Dual Installation

DESCRIPTION	NUMBER	MSRP
Dual Installation Kits		
Handle-to-Handle	7023628	\$240
Handle-to-Hinge	7029829	\$240
Hinge-to-Hinge	7029830	\$240
Kickplates*		
42" (1067) Stainless Steel	7027399	\$50
48" (1219) Stainless Steel	7026838	\$50
54" (1372) Stainless Steel	7026839	\$50
60" (1524) Stainless Steel	7026840	\$60

*Will accommodate 4" (102) and 6" (152) toe kick heights.

Miscellaneous

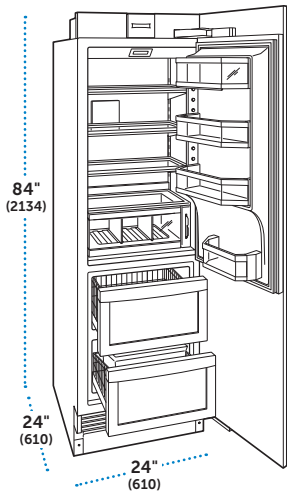
DESCRIPTION	NUMBER	MSRP
Enclosure Panels		
Stainless Steel Side (1)*	7031340	\$995
Stainless Steel Top	7031342	\$420
Press-To-Open Kits†		
Press-To-Open Kit / RH	9018427	\$99
Press-To-Open Kit / LH	9018428	\$99
Reduced Toe Kick Divider**	7029956	\$40
Water Filter	4204490	\$55

*Two side enclosures are required to install top enclosure.

**Required for toekicks from 3 7/8" (98) to 2" (51).

†When installed, the appliance will no longer meet Star-K certification.

Designer Series Refrigeration



24" Combination – Column

MODEL	MSRP
IC-24C	\$7,245
IC-24CI	\$7,405

SPECIFICATIONS

Overall Dimensions	24"W (610) x 84"H (2134) x 24"D (610)
Refrigerator Capacity	8.0 cu ft (227 L)
Freezer Capacity	3.1 cu ft (88 L)
Shipping Weight	260 lbs (118 kg)
Annual Energy Usage	IC-24C \$48 (400 kWh) IC-24CI \$60 (500 kWh)

FEATURES

- 3 adjustable glass shelves
- 1 high humidity crisper drawer with dividers
- 2 adjustable and 1 stationary door shelves
- Adjustable dairy compartment
- Air purification system
- Automatic ice maker (IC-24CI)
- Water filtration system (IC-24CI)

Accessories

Stainless Steel Door Panels

DESCRIPTION	NUMBER	MSRP
84" (2134) Fin Height – 4" (102) Toe Kick		
Tubular Handle / RH	7023710	\$665
Tubular Handle / LH	7023711	\$665
Pro Handle / RH	7025320	\$665
Pro Handle / LH	7025321	\$665
84" (2134) Fin Height – 6" (152) Toe Kick		
Tubular Handle / RH	7025370	\$665
Tubular Handle / LH	7025371	\$665
Pro Handle / RH	7025322	\$665
Pro Handle / LH	7025323	\$665

Dual Installation

DESCRIPTION	NUMBER	MSRP
Dual Installation Kits		
Handle-to-Handle	7023628	\$240
Handle-to-Hinge	7029829	\$240
Hinge-to-Hinge	7029830	\$240
Kickplates*		
42" (1067) Stainless Steel	7027399	\$50
48" (1219) Stainless Steel	7026838	\$50
54" (1372) Stainless Steel	7026839	\$50
60" (1524) Stainless Steel	7026840	\$60

*Will accommodate 4" (102) and 6" (152) toe kick heights.

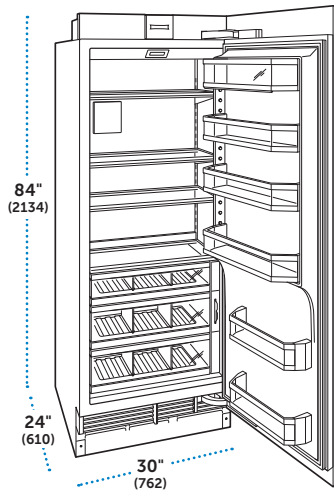
Miscellaneous

DESCRIPTION	NUMBER	MSRP
Enclosure Panels		
Stainless Steel Side (1)*	7031340	\$995
Stainless Steel Top	7031342	\$420
Press-To-Open Kits†		
Press-To-Open Kit / RH	9018427	\$99
Press-To-Open Kit / LH	9018428	\$99
Reduced Toe Kick Divider**	7029956	\$40
Egg Container	7007506	\$30
Air Purification Cartridge	7007067	\$55
Water Filter	4204490	\$55

*Two side enclosures are required to install top enclosure.

**Required for toekicks from 3⁷/₈" (98) to 2" (51).

†When installed, the appliance will no longer meet Star-K certification.



30" All Refrigerator – Column

MODEL	MSRP
IC-30R	\$7,820
IC-30RID	\$8,190

SPECIFICATIONS

Overall Dimensions	30"W (762) x 84"H (2134) x 24"D (610)
Refrigerator Capacity	17.3 cu ft (490 L)
Shipping Weight	400 lbs (181 kg)
Annual Energy Usage	\$40 (330 kWh)

FEATURES

- 3 adjustable glass shelves
- 2 high humidity crisper drawers with dividers
- Deli drawer with dividers
- 3 adjustable and 2 stationary door shelves
- Adjustable dairy compartment
- Air purification system
- Internal water dispenser (IC-30RID)
- Water filtration system (IC-30RID)

Accessories

Stainless Steel Door Panels

DESCRIPTION	NUMBER	MSRP
84" (2134) Fin Height – 4" (102) Toe Kick		
Tubular Handle / RH	7023626	\$770
Tubular Handle / LH	7023627	\$770
Pro Handle / RH	7025304	\$770
Pro Handle / LH	7025305	\$770
84" (2134) Fin Height – 6" (152) Toe Kick		
Tubular Handle / RH	7025364	\$770
Tubular Handle / LH	7025365	\$770
Pro Handle / RH	7025306	\$770
Pro Handle / LH	7025307	\$770

Dual Installation

DESCRIPTION	NUMBER	MSRP
Dual Installation Kits		
Handle-to-Handle	7023628	\$240
Handle-to-Hinge	7029829	\$240
Hinge-to-Hinge	7029830	\$240
Kickplates*		
48" (1219) Stainless Steel	7026838	\$50
54" (1372) Stainless Steel	7026839	\$50
60" (1524) Stainless Steel	7026840	\$60
66" (1676) Stainless Steel	7026841	\$70

*Will accommodate 4" (102) and 6" (152) toe kick heights.

Miscellaneous

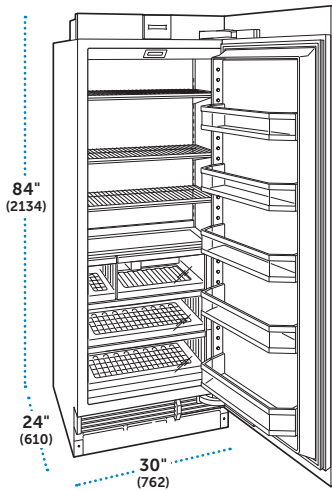
DESCRIPTION	NUMBER	MSRP
Enclosure Panels		
Stainless Steel Side (1)*	7031340	\$995
Stainless Steel Top	7031343	\$450
Press-To-Open Kits†		
Press-To-Open Kit / RH	9018427	\$99
Press-To-Open Kit / ID-RH***	9021401	\$99
Press-To-Open Kit / LH	9018428	\$99
Reduced Toe Kick Divider**	7029956	\$40
Egg Container	7007506	\$30
Water Filter	4204490	\$55
Air Purification Cartridge	7007067	\$55

*Two side enclosures are required to install top enclosure.

**Required for toe kicks from 3 7/8" (98) to 2" (51).

***IC-30RID-RH only.

†When installed, the appliance will no longer meet Star-K certification.



30" All Freezer – Column

MODEL	MSRP
IC-30FI	\$7,985

SPECIFICATIONS

Overall Dimensions	30"W (762) x 84"H (2134) x 24"D (610)
Freezer Capacity	15.3 cu ft (433 L)
Shipping Weight	400 lbs (181 kg)
Annual Energy Usage	\$67 (557 kWh)

FEATURES

- 3 adjustable wire shelves
- 3 storage drawers
- 5 adjustable door shelves
- Automatic ice maker
- Water filtration system

Accessories

Stainless Steel Door Panels

DESCRIPTION	NUMBER	MSRP
84" (2134) Fin Height – 4" (102) Toe Kick		
Tubular Handle / RH	7023626	\$770
Tubular Handle / LH	7023627	\$770
Pro Handle / RH	7025304	\$770
Pro Handle / LH	7025305	\$770
84" (2134) Fin Height – 6" (152) Toe Kick		
Tubular Handle / RH	7025364	\$770
Tubular Handle / LH	7025365	\$770
Pro Handle / RH	7025306	\$770
Pro Handle / LH	7025307	\$770

Dual Installation

DESCRIPTION	NUMBER	MSRP
Dual Installation Kits		
Handle-to-Handle	7023628	\$240
Handle-to-Hinge	7029829	\$240
Hinge-to-Hinge	7029830	\$240
Kickplates*		
48" (1219) Stainless Steel	7026838	\$50
54" (1372) Stainless Steel	7026839	\$50
60" (1524) Stainless Steel	7026840	\$60
66" (1676) Stainless Steel	7026841	\$70

*Will accommodate 4" (102) and 6" (152) toe kick heights.

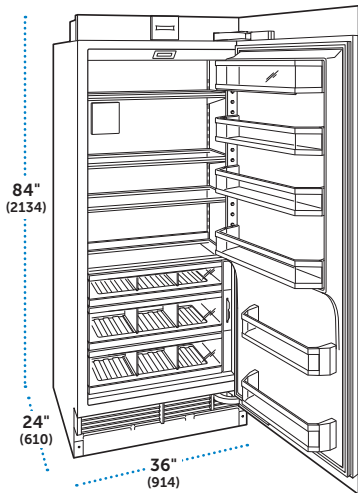
Miscellaneous

DESCRIPTION	NUMBER	MSRP
Enclosure Panels		
Stainless Steel Side (1)*	7031340	\$995
Stainless Steel Top	7031343	\$450
Press-To-Open Kits†		
Press-To-Open Kit / RH	9018427	\$99
Press-To-Open Kit / LH	9018428	\$99
Reduced Toe Kick Divider**	7029956	\$40
Water Filter	4204490	\$55

*Two side enclosures are required to install top enclosure.

**Required for toekicks from 3 7/8" (98) to 2" (51).

†When installed, the appliance will no longer meet Star-K certification.



36" All Refrigerator – Column

MODEL	MSRP
IC-36R	\$8,245
IC-36RID	\$8,615

SPECIFICATIONS

Overall Dimensions	36"W (914) x 84"H (2134) x 24"D (610)
Refrigerator Capacity	21.4 cu ft (606 L)
Shipping Weight	460 lbs (209 kg)
Annual Energy Usage	\$44 (360 kWh)

FEATURES

- 3 adjustable glass shelves
- 2 high humidity crisper drawers with dividers
- Deli drawer with dividers
- 3 adjustable and 2 stationary door shelves
- Adjustable dairy compartment
- Air purification system
- Internal water dispenser (IC-36RID)
- Water filtration system (IC-36RID)

Accessories

Stainless Steel Door Panels

DESCRIPTION	NUMBER	MSRP
84" (2134) Fin Height – 4" (102) Toe Kick		
Tubular Handle / RH	7025366	\$875
Tubular Handle / LH	7025367	\$875
Pro Handle / RH	7025316	\$875
Pro Handle / LH	7025317	\$875
84" (2134) Fin Height – 6" (152) Toe Kick		
Tubular Handle / RH	7025368	\$875
Tubular Handle / LH	7025369	\$875
Pro Handle / RH	7025318	\$875
Pro Handle / LH	7025319	\$875

Dual Installation

DESCRIPTION	NUMBER	MSRP
Dual Installation Kits		
Handle-to-Handle	7023628	\$240
Handle-to-Hinge	7029829	\$240
Hinge-to-Hinge	7029830	\$240
Kickplates*		
54" (1372) Stainless Steel	7026839	\$50
60" (1524) Stainless Steel	7026840	\$60
66" (1676) Stainless Steel	7026841	\$70
72" (1829) Stainless Steel	7026842	\$70

*Will accommodate 4" (102) and 6" (152) toe kick heights.

Miscellaneous

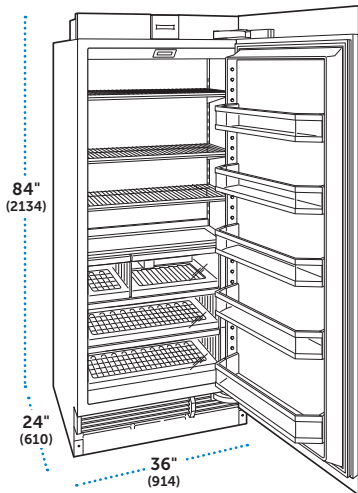
DESCRIPTION	NUMBER	MSRP
Enclosure Panels		
Stainless Steel Side (1)*	7031340	\$995
Stainless Steel Top	7031344	\$500
Press-To-Open Kits†		
Press-To-Open Kit / RH	9018427	\$99
Press-To-Open Kit / ID-RH***	9021401	\$99
Press-To-Open Kit / LH	9018428	\$99
Reduced Toe Kick Divider**	7029956	\$40
Egg Container	7007506	\$30
Water Filter	4204490	\$55
Air Purification Cartridge	7007067	\$55

*Two side enclosures are required to install top enclosure.

**Required for toe kicks from 3 7/8" (98) to 2" (51).

***IC-36RID-RH only.

†When installed, the appliance will no longer meet Star-K certification.



36" All Freezer – Column

MODEL	MSRP
IC-36FI	\$8,410

SPECIFICATIONS

Overall Dimensions	36"W (914) x 84"H (2134) x 24"D (610)
Freezer Capacity	20.0 cu ft (566 L)
Shipping Weight	460 lbs (209 kg)
Annual Energy Usage	\$76 (631 kWh)

FEATURES

- 3 adjustable wire shelves
- 3 storage drawers
- 5 adjustable door shelves
- Automatic ice maker
- Water filtration system

Accessories

Stainless Steel Door Panels

DESCRIPTION	NUMBER	MSRP
84" (2134) Fin Height – 4" (102) Toe Kick		
Tubular Handle / RH	7025366	\$875
Tubular Handle / LH	7025367	\$875
Pro Handle / RH	7025316	\$875
Pro Handle / LH	7025317	\$875
84" (2134) Fin Height – 6" (152) Toe Kick		
Tubular Handle / RH	7025368	\$875
Tubular Handle / LH	7025369	\$875
Pro Handle / RH	7025318	\$875
Pro Handle / LH	7025319	\$875

Dual Installation

DESCRIPTION	NUMBER	MSRP
Dual Installation Kits		
Handle-to-Handle	7023628	\$240
Handle-to-Hinge	7029829	\$240
Hinge-to-Hinge	7029830	\$240
Kickplates*		
54" (1372) Stainless Steel	7026839	\$50
60" (1524) Stainless Steel	7026840	\$60
66" (1676) Stainless Steel	7026841	\$70
72" (1829) Stainless Steel	7026842	\$70

*Will accommodate 4" (102) and 6" (152) toe kick heights.

Miscellaneous

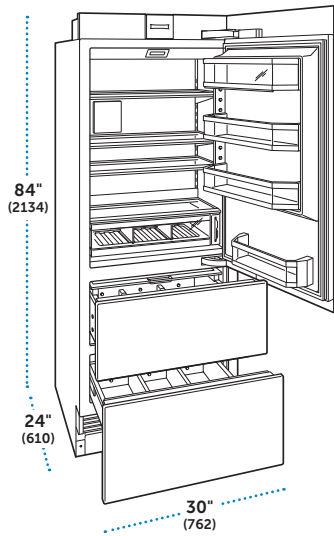
DESCRIPTION	NUMBER	MSRP
Enclosure Panels		
Stainless Steel Side (1)*	7031340	\$995
Stainless Steel Top	7031344	\$500
Press-To-Open Kits†		
Press-To-Open Kit / RH	9018427	\$99
Press-To-Open Kit / LH	9018428	\$99
Reduced Toe Kick Divider**	7029956	\$40
Water Filter	4204490	\$55

*Two side enclosures are required to install top enclosure.

**Required for toekicks from 3 7/8" (98) to 2" (51).

†When installed, the appliance will no longer meet Star-K certification.

Designer Series Refrigeration



30" All Refrigerator – Tall

MODEL	MSRP
IT-30R	\$8,320
IT-30RID	\$8,690

SPECIFICATIONS

Overall Dimensions	30"W (762) x 84"H (2134) x 24"D (610)
Refrigerator Capacity	16.5 cu ft (467 L)
Shipping Weight	400 lbs (181 kg)
Annual Energy Usage	\$39 (324 kWh)

FEATURES

- 3 adjustable glass shelves
- Deli drawer with dividers
- High humidity crisper drawer with sliding cover and removable dividers
- Refrigerator storage drawer with removable dividers
- 1 stationary and 2 adjustable door shelves
- Adjustable dairy compartment
- Air purification system
- Internal water dispenser (IT-30RID)
- Water filtration system (IT-30RID)

Accessories

Stainless Steel Door Panels

DESCRIPTION	NUMBER	MSRP
84" (2134) Finished Height		
Tubular Handle / RH	7023706	\$665
Tubular Handle / LH	7023707	\$665
Pro Handle / RH	7025312	\$665
Pro Handle / LH	7025313	\$665

Stainless Steel Drawer Panels (2-panel set)

DESCRIPTION	NUMBER	MSRP
4" (102) Toe Kick		
Tubular Handle	7023702	\$555
Pro Handle	7025308	\$555
6" (152) Toe Kick		
Tubular Handle	7023703	\$555
Pro Handle	7025309	\$555

Dual Installation

DESCRIPTION	NUMBER	MSRP
Dual Installation Kits		
Handle-to-Handle	7023628	\$240
Handle-to-Hinge	7029829	\$240
Hinge-to-Hinge	7029830	\$240

Kickplates*

48" (1219) Stainless Steel	7026838	\$50
54" (1372) Stainless Steel	7026839	\$50
60" (1524) Stainless Steel	7026840	\$60
66" (1676) Stainless Steel	7026841	\$70

*Will accommodate 4" (102) and 6" (152) toe kick heights.

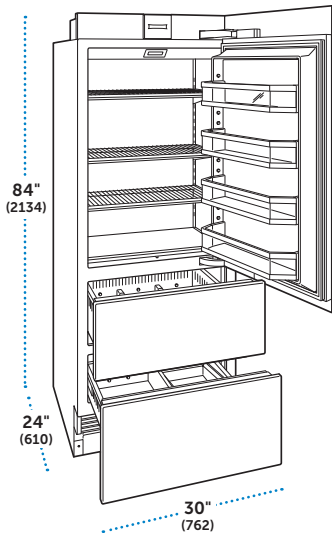
Miscellaneous

DESCRIPTION	NUMBER	MSRP
Enclosure Panels		
Stainless Steel Side (1)*	7031340	\$995
Stainless Steel Top	7031343	\$450
Mounting Kit		
Drawer Panel Support	7028082	\$15
Reduced Toe Kick Divider**	7029956	\$40
Egg Container	7007506	\$30
Water Filter	4204490	\$55
Air Purification Cartridge	7007067	\$55

*Two side enclosures are required to install top enclosure.

**Required for toekicks from 3 7/8" (98) to 2" (51).

Designer Series Refrigeration



30" All Freezer – Tall

MODEL	MSRP
IT-30FI	\$8,420

SPECIFICATIONS

Overall Dimensions	30"W (762) x 84"H (2134) x 24"D (610)
Freezer Capacity	15.1 cu ft (428 L)
Shipping Weight	400 lbs (181 kg)
Annual Energy Usage	\$73 (606 kWh)

FEATURES

- 3 adjustable wire shelves
- 2 freezer storage drawers with removable dividers
- 4 adjustable door shelves
- Automatic ice maker
- Water filtration system

Accessories

Stainless Steel Door Panels

DESCRIPTION	NUMBER	MSRP
84" (2134) Finished Height		
Tubular Handle / RH	7023706	\$665
Tubular Handle / LH	7023707	\$665
Pro Handle / RH	7025312	\$665
Pro Handle / LH	7025313	\$665

Stainless Steel Drawer Panels (2-panel set)

DESCRIPTION	NUMBER	MSRP
4" (102) Toe Kick		
Tubular Handle	7023702	\$555
Pro Handle	7025308	\$555
6" (152) Toe Kick		
Tubular Handle	7023703	\$555
Pro Handle	7025309	\$555

Dual Installation

DESCRIPTION	NUMBER	MSRP
Dual Installation Kits		
Handle-to-Handle	7023628	\$240
Handle-to-Hinge	7029829	\$240
Hinge-to-Hinge	7029830	\$240
Kickplates*		
48" (1219) Stainless Steel	7026838	\$50
54" (1372) Stainless Steel	7026839	\$50
60" (1524) Stainless Steel	7026840	\$60
66" (1676) Stainless Steel	7026841	\$70

*Will accommodate 4" (102) and 6" (152) toe kick heights.

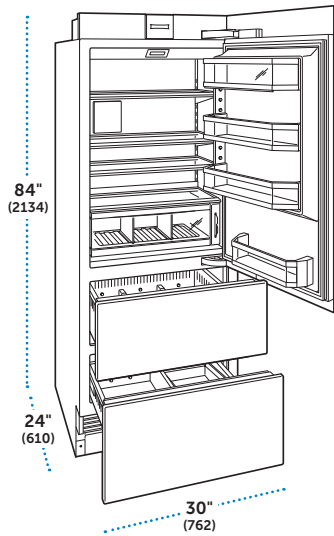
Miscellaneous

DESCRIPTION	NUMBER	MSRP
Enclosure Panels		
Stainless Steel Side (1)*	7031340	\$995
Stainless Steel Top	7031343	\$450
Mounting Kit		
Drawer Panel Support	7028082	\$15
Reduced Toe Kick Divider**	7029956	\$40
Water Filter	4204490	\$55

*Two side enclosures are required to install top enclosure.

**Required for toekicks from 37/8" (98) to 2" (51).

Designer Series Refrigeration



30" Combination – Tall

MODEL	MSRP
IT-30CI	\$8,515
IT-30CIID	\$8,885

SPECIFICATIONS

Overall Dimensions	30"W (762) x 84"H (2134) x 24"D (610)
Refrigerator Capacity	10.6 cu ft (300 L)
Freezer Capacity	5.0 cu ft (142 L)
Shipping Weight	400 lbs (181 kg)
Annual Energy Usage	\$67 (551 kWh)

FEATURES

Refrigerator

- 2 temperature zones
- 3 adjustable glass shelves
- High humidity crisper drawer with dividers
- 1 stationary and 2 adjustable door shelves
- Adjustable dairy compartment
- Air purification system
- Internal water dispenser (IT-30CIID)
- Water filtration system

Freezer

- 2 freezer storage drawers with removable dividers
- Automatic ice maker

Accessories

Stainless Steel Door Panels

DESCRIPTION	NUMBER	MSRP
84" (2134) Finished Height		
Tubular Handle / RH	7023706	\$665
Tubular Handle / LH	7023707	\$665
Pro Handle / RH	7025312	\$665
Pro Handle / LH	7025313	\$665

Stainless Steel Drawer Panels (2-panel set)

DESCRIPTION	NUMBER	MSRP
4" (102) Toe Kick		
Tubular Handle	7023702	\$555
Pro Handle	7025308	\$555
6" (152) Toe Kick		
Tubular Handle	7023703	\$555
Pro Handle	7025309	\$555

Dual Installation

DESCRIPTION	NUMBER	MSRP
Dual Installation Kits		
Handle-to-Handle	7023628	\$240
Handle-to-Hinge	7029829	\$240
Hinge-to-Hinge	7029830	\$240
Kickplates*		
48" (1219) Stainless Steel	7026838	\$50
54" (1372) Stainless Steel	7026839	\$50
60" (1524) Stainless Steel	7026840	\$60
66" (1676) Stainless Steel	7026841	\$70

*Will accommodate 4" (102) and 6" (152) toe kick heights.

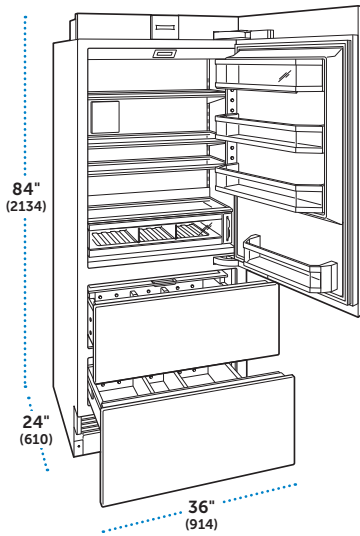
Miscellaneous

DESCRIPTION	NUMBER	MSRP
Enclosure Panels		
Stainless Steel Side (1)*	7031340	\$995
Stainless Steel Top	7031343	\$450
Mounting Kit		
Drawer Panel Support	7028082	\$15
Reduced Toe Kick Divider**	7029956	\$40
Egg Container	7007506	\$30
Water Filter	4204490	\$55
Air Purification Cartridge	7007067	\$55

*Two side enclosures are required to install top enclosure.

**Required for toekicks from 3 7/8" (98) to 2" (51).

Designer Series Refrigeration



36" All Refrigerator – Tall

MODEL	MSRP
IT-36R	\$8,745
IT-36RID	\$9,115

SPECIFICATIONS

Overall Dimensions	36"W (914) x 84"H (2134) x 24"D (610)
Refrigerator Capacity	20.5 cu ft (581 L)
Shipping Weight	460 lbs (209 kg)
Annual Energy Usage	\$43 (353 kWh)

FEATURES

- 3 adjustable glass shelves
- Deli drawer with dividers
- High humidity crisper drawer with sliding cover and removable dividers
- Refrigerator storage drawer with removable dividers
- 1 stationary and 2 adjustable door shelves
- Adjustable dairy compartment
- Air purification system
- Internal water dispenser (IT-36RID)
- Water filtration system (IT-36RID)

Accessories

Stainless Steel Door Panels

DESCRIPTION	NUMBER	MSRP
84" (2134) Finished Height		
Tubular Handle / RH	7023708	\$740
Tubular Handle / LH	7023709	\$740
Pro Handle / RH	7025314	\$740
Pro Handle / LH	7025315	\$740

Stainless Steel Drawer Panels (2-panel set)

DESCRIPTION	NUMBER	MSRP
4" (102) Toe Kick		
Tubular Handle	7023704	\$585
Pro Handle	7025310	\$585
6" (152) Toe Kick		
Tubular Handle	7023705	\$585
Pro Handle	7025311	\$585

Dual Installation

DESCRIPTION	NUMBER	MSRP
Dual Installation Kits		
Handle-to-Handle	7023628	\$240
Handle-to-Hinge	7029829	\$240
Hinge-to-Hinge	7029830	\$240
Kickplates*		
54" (1372) Stainless Steel	7026839	\$50
60" (1524) Stainless Steel	7026840	\$60
66" (1676) Stainless Steel	7026841	\$70
72" (1829) Stainless Steel	7026842	\$70

*Will accommodate 4" (102) and 6" (152) toe kick heights.

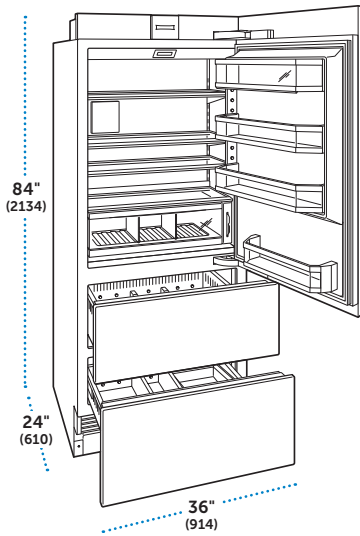
Miscellaneous

DESCRIPTION	NUMBER	MSRP
Enclosure Panels		
Stainless Steel Side (1)*	7031340	\$995
Stainless Steel Top	7031344	\$500
Mounting Kit		
Drawer Panel Support	7028082	\$15
Reduced Toe Kick Divider**	7029956	\$40
Egg Container	7007506	\$30
Water Filter	4204490	\$55
Air Purification Cartridge	7007067	\$55

*Two side enclosures are required to install top enclosure.

**Required for toekicks from 3 7/8" (98) to 2" (51).

Designer Series Refrigeration



36" Combination – Tall

MODEL	MSRP
IT-36CI	\$8,940
IT-36CIID	\$9,310

SPECIFICATIONS

Overall Dimensions	36"W (914) x 84"H (2134) x 24"D (610)
Refrigerator Capacity	13.3 cu ft (377 L)
Freezer Capacity	6.4 cu ft (181 L)
Shipping Weight	460 lbs (209 kg)
Annual Energy Usage	\$72 (594 kWh)

FEATURES

Refrigerator

- 2 temperature zones
- 3 adjustable glass shelves
- High humidity crisper drawer with dividers
- 1 stationary and 2 adjustable door shelves
- Adjustable dairy compartment
- Air purification system
- Internal water dispenser (IT-36CIID)
- Water filtration system

Freezer

- 2 freezer storage drawers with removable dividers
- Automatic ice maker

Accessories

Stainless Steel Door Panels

DESCRIPTION	NUMBER	MSRP
84" (2134) Finished Height		
Tubular Handle / RH	7023708	\$740
Tubular Handle / LH	7023709	\$740
Pro Handle / RH	7025314	\$740
Pro Handle / LH	7025315	\$740

Stainless Steel Drawer Panels (2-panel set)

DESCRIPTION	NUMBER	MSRP
4" (102) Toe Kick		
Tubular Handle	7023704	\$585
Pro Handle	7025310	\$585
6" (152) Toe Kick		
Tubular Handle	7023705	\$585
Pro Handle	7025311	\$585

Dual Installation

DESCRIPTION	NUMBER	MSRP
Dual Installation Kits		
Handle-to-Handle	7023628	\$240
Handle-to-Hinge	7029829	\$240
Hinge-to-Hinge	7029830	\$240
Kickplates*		
54" (1372) Stainless Steel	7026839	\$50
60" (1524) Stainless Steel	7026840	\$60
66" (1676) Stainless Steel	7026841	\$70
72" (1829) Stainless Steel	7026842	\$70

*Will accommodate 4" (102) and 6" (152) toe kick heights.

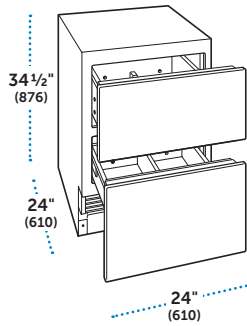
Miscellaneous

DESCRIPTION	NUMBER	MSRP
Enclosure Panels		
Stainless Steel Side (1)*	7031340	\$995
Stainless Steel Top	7031344	\$500
Mounting Kit		
Drawer Panel Support	7028082	\$15
Reduced Toe Kick Divider**	7029956	\$40
Egg Container	7007506	\$30
Water Filter	4204490	\$55
Air Purification Cartridge	7007067	\$55

*Two side enclosures are required to install top enclosure.

**Required for toekicks from 3 7/8" (98) to 2" (51).

Designer Series Refrigeration



24" All Refrigerator – Drawers

MODEL	MSRP
ID-24R	\$4,395

SPECIFICATIONS

Overall Dimensions	24"W (610) x 34 1/2"H (876) x 24"D (610)
Refrigerator Capacity	4.0 cu ft (113 L)
Shipping Weight	170 lbs (77 kg)
Annual Energy Usage	\$26 (213 kWh)

FEATURES

- 2 refrigerator storage drawers with removable dividers

Accessories

Stainless Steel Drawer Panels (2-panel set)

DESCRIPTION	NUMBER	MSRP
4" (102) Toe Kick		
Tubular Handle	7025408	\$505
Pro Handle	7025360	\$505
6" (152) Toe Kick		
Tubular Handle	7025409	\$505
Pro Handle	7025361	\$505

Dual Installation

DESCRIPTION	NUMBER	MSRP
Dual Installation Kit	7024476	\$160
Kickplates*		
42" (1067) Stainless Steel	7027399	\$50
48" (1219) Stainless Steel	7026838	\$50
54" (1372) Stainless Steel	7026839	\$50
60" (1524) Stainless Steel	7026840	\$60

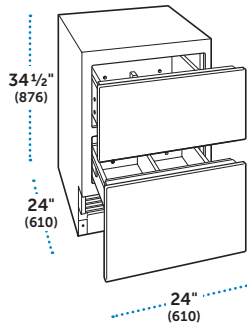
*Will accommodate 4" (102) and 6" (152) toe kick heights.

Miscellaneous

DESCRIPTION	NUMBER	MSRP
Reduced Toe Kick Divider*	7029956	\$40
Egg Container	7007506	\$30

*Required for toekicks from 3 7/8" (98) to 2" (51).

Designer Series Refrigeration



24" Outdoor All Refrigerator – Drawers

MODEL	MSRP
ID-24RO	\$4,715

SPECIFICATIONS

Overall Dimensions	24"W (610) x 34 1/2"H (876) x 24"D (610)
Refrigerator Capacity	4.0 cu ft (113 L)
Shipping Weight	170 lbs (77 kg)
Annual Energy Usage	\$26 (213 kWh)

FEATURES

- 2 refrigerator storage drawers with removable dividers
- Suitable for outdoor use

Accessories

Outdoor Rated Stainless Steel Drawer Panels (2-panel set)

DESCRIPTION	NUMBER	MSRP
4" (102) Toe Kick		
Pro Handle (with lock)*	9011615	\$850
Pro Handle (without lock)*	9011700	\$785

*Required for outdoor installation.

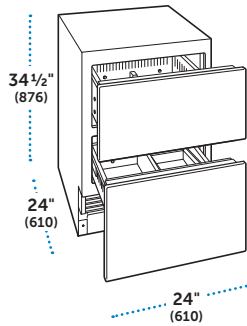
Dual Installation

DESCRIPTION	NUMBER	MSRP
Dual Installation Kit	7024476	\$160

Miscellaneous

DESCRIPTION	NUMBER	MSRP
Egg Container	7007506	\$30

Designer Series Refrigeration



24" All Freezer – Drawers

MODEL	MSRP
ID-24F	\$4,395
ID-24FI	\$4,555

SPECIFICATIONS

Overall Dimensions	24"W (610) x 34 1/2"H (876) x 24"D (610)
Freezer Capacity	3.8 cu ft (108 L)
Shipping Weight	170 lbs (77 kg)
Annual Energy Usage	\$46 (377 kWh)

FEATURES

- 2 freezer storage drawers with removable dividers
- Automatic ice maker (ID-24FI)

Accessories

Stainless Steel Drawer Panels (2-panel set)

DESCRIPTION	NUMBER	MSRP
4" (102) Toe Kick		
Tubular Handle	7025408	\$505
Pro Handle	7025360	\$505
6" (152) Toe Kick		
Tubular Handle	7025409	\$505
Pro Handle	7025361	\$505

Dual Installation

DESCRIPTION	NUMBER	MSRP
Dual Installation Kit	7024476	\$160
Kickplates*		
42" (1067) Stainless Steel	7027399	\$50
48" (1219) Stainless Steel	7026838	\$50
54" (1372) Stainless Steel	7026839	\$50
60" (1524) Stainless Steel	7026840	\$60

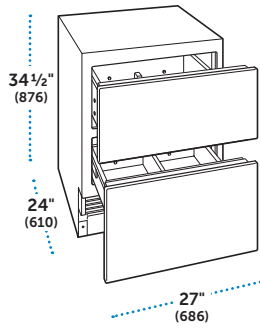
*Will accommodate 4" (102) and 6" (152) toe kick heights.

Miscellaneous

DESCRIPTION	NUMBER	MSRP
Reduced Toe Kick Divider*	7029956	\$40

*Required for toekicks from 3 7/8" (98) to 2" (51).

Designer Series Refrigeration



27" All Refrigerator – Drawers

MODEL	MSRP
ID-27R	\$4,475

SPECIFICATIONS

Overall Dimensions	27"W (686) x 34 1/2"H (876) x 24"D (610)
Refrigerator Capacity	4.6 cu ft (130 L)
Shipping Weight	190 lbs (86 kg)
Annual Energy Usage	\$33 (217 kWh)

FEATURES

- 2 refrigerator storage drawers with removable dividers

Accessories

Stainless Steel Drawer Panels (2-panel set)

DESCRIPTION	NUMBER	MSRP
4" (102) Toe Kick		
Tubular Handle	7025410	\$530
Pro Handle	7025362	\$530
6" (152) Toe Kick		
Tubular Handle	7025411	\$530
Pro Handle	7025363	\$530

Dual Installation

DESCRIPTION	NUMBER	MSRP
Dual Installation Kit	7024476	\$160
Kickplate*		
54" (1372) Stainless Steel	7026839	\$50

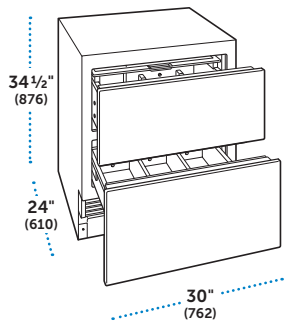
*Will accommodate 4" (102) and 6" (152) toe kick heights.

Miscellaneous

DESCRIPTION	NUMBER	MSRP
Reduced Toe Kick Divider*	7029956	\$40
Egg Container	7007506	\$30

*Required for toekicks from 3 7/8" (98) to 2" (51).

Designer Series Refrigeration



30" All Refrigerator – Drawers

MODEL	MSRP
ID-30R	\$4,555

SPECIFICATIONS

Overall Dimensions	30"W (762) x 34 1/2"H (876) x 24"D (610)
Refrigerator Capacity	5.2 cu ft (147 L)
Shipping Weight	210 lbs (95 kg)
Annual Energy Usage	\$34 (221 kWh)

FEATURES

- 2 refrigerator storage drawers with removable dividers

Accessories

Stainless Steel Drawer Panels (2-panel set)

DESCRIPTION	NUMBER	MSRP
4" (102) Toe Kick		
Tubular Handle	7023702	\$555
Pro Handle	7025308	\$555
6" (152) Toe Kick		
Tubular Handle	7023703	\$555
Pro Handle	7025309	\$555

Dual Installation

DESCRIPTION	NUMBER	MSRP
Dual Installation Kit	7024476	\$160
Kickplates*		
48" (1219) Stainless Steel	7026838	\$50
54" (1372) Stainless Steel	7026839	\$50
60" (1524) Stainless Steel	7026840	\$60
66" (1676) Stainless Steel	7026841	\$70

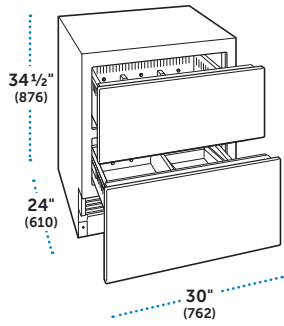
*Will accommodate 4" (102) and 6" (152) toe kick heights.

Miscellaneous

DESCRIPTION	NUMBER	MSRP
Mounting Kit		
Drawer Panel Support	7028082	\$15
Reduced Toe Kick Divider*	7029956	\$40
Egg Container	7007506	\$30

*Required for toekicks from 3 7/8" (98) to 2" (51).

Designer Series Refrigeration



30" All Freezer – Drawers

MODEL	MSRP
ID-30F	\$4,555
ID-30FI	\$4,715

SPECIFICATIONS

Overall Dimensions	30"W (762) x 34 1/2"H (876) x 24"D (610)
Freezer Capacity	4.9 cu ft (139 L)
Shipping Weight	210 lbs (95 kg)
Annual Energy Usage	\$48 (356 kWh)

FEATURES

- 2 freezer storage drawers with removable dividers
- Automatic ice maker (ID-30FI)

Accessories

Stainless Steel Drawer Panels (2-panel set)

DESCRIPTION	NUMBER	MSRP
4" (102) Toe Kick		
Tubular Handle	7023702	\$555
Pro Handle	7025308	\$555
6" (152) Toe Kick		
Tubular Handle	7023703	\$555
Pro Handle	7025309	\$555

Dual Installation

DESCRIPTION	NUMBER	MSRP
Dual Installation Kit	7024476	\$160
Kickplates*		
48" (1219) Stainless Steel	7026838	\$50
54" (1372) Stainless Steel	7026839	\$50
60" (1524) Stainless Steel	7026840	\$60
66" (1676) Stainless Steel	7026841	\$70

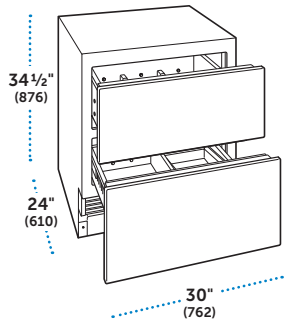
*Will accommodate 4" (102) and 6" (152) toe kick heights.

Miscellaneous

DESCRIPTION	NUMBER	MSRP
Mounting Kit		
Drawer Panel Support	7028082	\$15
Reduced Toe Kick Divider*	7029956	\$40

*Required for toekicks from 3 7/8" (98) to 2" (51).

Designer Series Refrigeration



30" Combination – Drawers

MODEL	MSRP
ID-30C	\$4,825
ID-30CI	\$4,985

SPECIFICATIONS

Overall Dimensions	30"W (762) x 34 1/2"H (876) x 24"D (610)
Refrigerator Capacity	3.0 cu ft (85 L)
Freezer Capacity	2.0 cu ft (57 L)
Shipping Weight	210 lbs (95 kg)
Annual Energy Usage	
ID-30C	\$45 (374 kWh)
ID-30CI	\$55 (458 kWh)

FEATURES

Refrigerator

- 2 temperature zones
- Refrigerator storage drawer with removable dividers

Freezer

- Freezer storage drawer with removable dividers
- Automatic ice maker (ID-30CI)

Accessories

Stainless Steel Drawer Panels (2-panel set)

DESCRIPTION	NUMBER	MSRP
4" (102) Toe Kick		
Tubular Handle	7023702	\$555
Pro Handle	7025308	\$555
6" (152) Toe Kick		
Tubular Handle	7023703	\$555
Pro Handle	7025309	\$555

Dual Installation

DESCRIPTION	NUMBER	MSRP
Dual Installation Kit	7024476	\$160
Kickplates*		
48" (1219) Stainless Steel	7026838	\$50
54" (1372) Stainless Steel	7026839	\$50
60" (1524) Stainless Steel	7026840	\$60
66" (1676) Stainless Steel	7026841	\$70

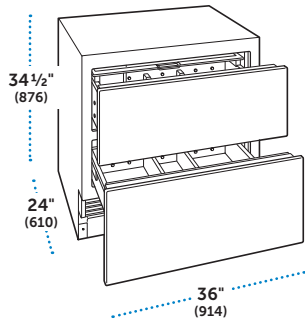
*Will accommodate 4" (102) and 6" (152) toe kick heights.

Miscellaneous

DESCRIPTION	NUMBER	MSRP
Mounting Kit		
Drawer Panel Support	7028082	\$15
Reduced Toe Kick Divider*	7029956	\$40
Egg Container	7007506	\$30

*Required for toekicks from 3 7/8" (98) to 2" (51).

Designer Series Refrigeration



36" All Refrigerator – Drawers

MODEL	MSRP
ID-36R	\$4,715

SPECIFICATIONS

Overall Dimensions	36"W (914) x 34 1/2"H (876) x 24"D (610)
Refrigerator Capacity	6.6 cu ft (187 L)
Shipping Weight	250 lbs (113 kg)
Annual Energy Usage	\$35 (230 kWh)

FEATURES

- 2 refrigerator storage drawers with removable dividers

Accessories

Stainless Steel Drawer Panels (2-panel set)

DESCRIPTION	NUMBER	MSRP
4" (102) Toe Kick		
Tubular Handle	7023704	\$585
Pro Handle	7025310	\$585
6" (152) Toe Kick		
Tubular Handle	7023705	\$585
Pro Handle	7025311	\$585

Dual Installation

DESCRIPTION	NUMBER	MSRP
Dual Installation Kit	7024476	\$160
Kickplates*		
54" (1372) Stainless Steel	7026839	\$50
60" (1524) Stainless Steel	7026840	\$60
66" (1676) Stainless Steel	7026841	\$70
72" (1829) Stainless Steel	7026842	\$70

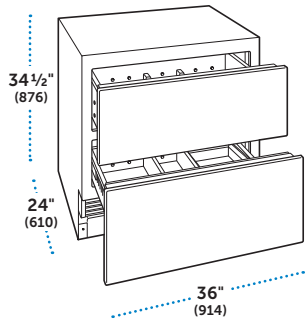
*Will accommodate 4" (102) and 6" (152) toe kick heights.

Miscellaneous

DESCRIPTION	NUMBER	MSRP
Mounting Kit		
Drawer Panel Support	7028082	\$15
Reduced Toe Kick Divider*	7029956	\$40
Egg Container	7007506	\$30

*Required for toekicks from 3 7/8" (98) to 2" (51).

Designer Series Refrigeration



36" Combination – Drawers

MODEL	MSRP
ID-36C	\$4,985
ID-36CI	\$5,145

SPECIFICATIONS

Overall Dimensions	36"W (914) x 34 1/2"H (876) x 24"D (610)
Refrigerator Capacity	3.4 cu ft (96 L)
Freezer Capacity	2.5 cu ft (71 L)
Shipping Weight	250 lbs (113 kg)
Annual Energy Usage	
ID-36C	\$52 (431 kWh)
ID-36CI	\$62 (515 kWh)

FEATURES

Refrigerator

- 2 temperature zones
- Refrigerator storage drawer with removable dividers

Freezer

- Freezer storage drawer with removable dividers
- Automatic ice maker (ID-36CI)

Accessories

Stainless Steel Drawer Panels (2-panel set)

DESCRIPTION	NUMBER	MSRP
4" (102) Toe Kick		
Tubular Handle	7023704	\$585
Pro Handle	7025310	\$585
6" (152) Toe Kick		
Tubular Handle	7023705	\$585
Pro Handle	7025311	\$585

Dual Installation

DESCRIPTION	NUMBER	MSRP
Dual Installation Kit	7024476	\$160
Kickplates*		
54" (1372) Stainless Steel	7026839	\$50
60" (1524) Stainless Steel	7026840	\$60
66" (1676) Stainless Steel	7026841	\$70
72" (1829) Stainless Steel	7026842	\$70

*Will accommodate 4" (102) and 6" (152) toe kick heights.

Miscellaneous

DESCRIPTION	NUMBER	MSRP
Mounting Kit		
Drawer Panel Support	7028082	\$15
Reduced Toe Kick Divider*	7029956	\$40
Egg Container	7007506	\$30

*Required for toekicks from 3 7/8" (98) to 2" (51).

Wine Storage

To preserve the integrity of every glass, Sub-Zero wine storage units are more than just coolers; they are built with advanced preservation technologies and protective features that guard against the harmful effects of heat, humidity, light, and vibration. Cherrywood-faced shelves, soft lighting, custom cabinetry if desired—Sub-Zero helps make a wine collection an element of beauty in the home.

- Framed, overlay, flush inset, stainless steel, and integrated design options complement Classic series, Designer series, and undercounter units for dual installation.
- Full-view glass door on all models.
- Discreet interior lighting with illuminated display shelf.
- Two independent storage zones maintain temperature, humidity, and UV protection.
- Cherrywood-faced shelves display the wine beautifully and accommodate 750 ml bottles, half-bottles, and magnums.

MODEL NUMBER KEY

Classic Series Wine Storage	BW
Designer Series Wine Storage	IW
Undercounter Wine Storage	UW
High Altitude Glass Door	A
Freestanding	FS
Refrigerator Drawers	R
Combination Refrigerator/Freezer Drawers	C
Ice Maker	I
Overlay Model	/O
Stainless Steel Model	/S
Tubular Handle	/TH
Pro Handle	/PH
Right-Hinge	-RH
Left-Hinge	-LH

Models are shown in the stainless steel design with tubular handles.

Specify right-hinge (-RH) or left-hinge (-LH) door when ordering.

Overall dimensions for UW-24 and BW-30 are based on stainless steel models. Overall dimensions for Designer series models do not include panels or handles. Dimensions will vary with panel thickness.

A high altitude glass door is available for installations above 5,000' (1524 m) in elevation, excludes UW-24FS.

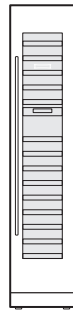
Wine Storage Models



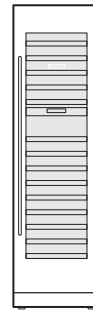
UW-24FS



UW-24



IW-18



IW-24



IW-30



IW-30R

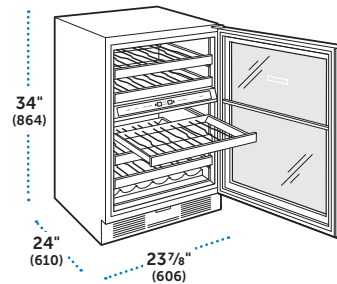
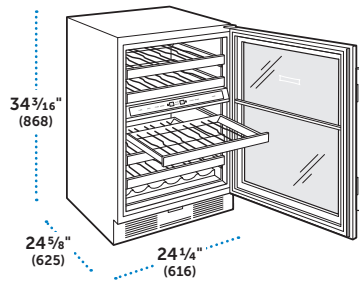


IW-30CI



BW-30

Wine Storage



24" Freestanding Wine Storage

MODEL	MSRP
UW-24FS/S/TH	\$4,145

SPECIFICATIONS

Overall Dimensions	24 1/4"W (616) x 34 3/16"H (868) x 24 5/8"D (625)
Design	Freestanding
Wine Storage Capacity	46 bottles (750 ml)
Shipping Weight	220 lbs (100 kg)

FEATURES

- 2 temperature zones
- 2 upper and 3 lower compartment shelves
- Temperature alarm
- Full-view, UV-resistant glass door
- Stainless steel exterior for freestanding application

No solid door option available for this model.
Available only with right-hinge (RH) door.

Accessories

DESCRIPTION	NUMBER	MSRP
Lock Kit	7040171	\$150
Inventory Tiles (15)	7031944	\$30
Inventory Tiles / Writable (15)	7030331	\$50
Dessert Wine Rack	7040428	\$320

24" Undercounter Wine Storage

MODEL	MSRP
UW-24/O	\$3,590
UW-24/S/TH	\$3,775
UW-24/S/PH	\$3,775

SPECIFICATIONS

Overall Dimensions	23 7/8"W (606) x 34"H (864) x 24"D (610)
Design	Undercounter
Wine Storage Capacity	46 bottles (750 ml)
Shipping Weight	195 lbs (88 kg)

FEATURES

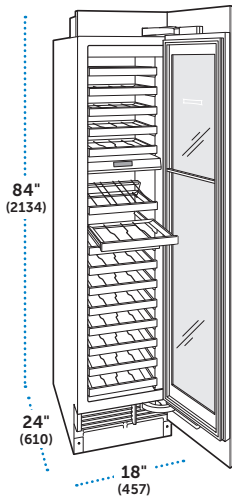
- 2 temperature zones
- 2 upper and 3 lower compartment shelves
- Temperature alarm
- Full-view, UV-resistant glass door
- High altitude glass available

Accessories

DESCRIPTION	NUMBER	MSRP
Solid Overlay Door**	7005924	\$360
Silver Kickplate	7030801	\$80
Lock Kit	7030802	\$150
Inventory Tiles (15)	7031944	\$30
Inventory Tiles / Writable (15)	7030331	\$50
Dessert Wine Rack	7040428	\$320
Dual Installation		
Dual Installation Kit*	7030447	\$105
Dual Lock Kit	7030527	\$230
Black Dual Kickplate	7030799	\$150
Silver Dual Kickplate	7030800	\$150

*Handle to handle installation only.

**Installation may require authorized service.



18" Wine Storage

MODEL	MSRP
IW-18	\$6,185

SPECIFICATIONS

Overall Dimensions	18"W (457) x 84"H (2134) x 24"D (610)
Design	Designer Series
Wine Storage Capacity	59 bottles (750 ml)
Shipping Weight	350 lbs (158 kg)

FEATURES

- 2 temperature zones
- 5 upper and 10 lower compartment shelves
- Full-view, UV-resistant glass door
- Inventory tile system
- High altitude glass available

Accessories

Dual Installation

DESCRIPTION	NUMBER	MSRP
Dual Installation Kits		
Handle-to-Handle	7023628	\$240
Handle-to-Hinge	7029829	\$240
Hinge-to-Hinge	7029830	\$240
Kickplates*		
36" (914) Stainless Steel	7026837	\$50
42" (1067) Stainless Steel	7027399	\$50
48" (1219) Stainless Steel	7026838	\$50
54" (1372) Stainless Steel	7026839	\$50

*Will accommodate 4" (102) and 6" (152) toe kick heights.

Accessories

Stainless Steel Door Panels

DESCRIPTION	NUMBER	MSRP
84" (2134) Fin Height – 4" (102) Toe Kick		
Tubular Handle / RH	7025376	\$630
Tubular Handle / RH / Lock	7025380	\$730
Tubular Handle / LH	7025377	\$630
Tubular Handle / LH / Lock	7025381	\$730
Pro Handle / RH	7025328	\$630
Pro Handle / RH / Lock	7025332	\$730
Pro Handle / LH	7025329	\$630
Pro Handle / LH / Lock	7025333	\$730
84" (2134) Fin Height – 6" (152) Toe Kick		
Tubular Handle / RH	7025378	\$630
Tubular Handle / RH / Lock	7025382	\$730
Tubular Handle / LH	7025379	\$630
Tubular Handle / LH / Lock	7025383	\$730
Pro Handle / RH	7025330	\$630
Pro Handle / RH / Lock	7025334	\$730
Pro Handle / LH	7025331	\$630
Pro Handle / LH / Lock	7025335	\$730

Miscellaneous

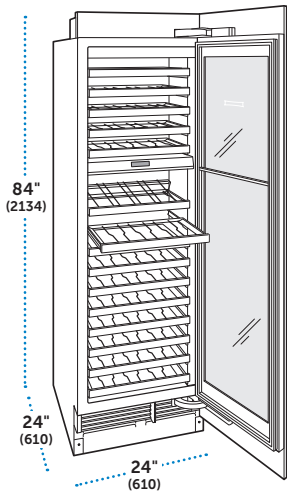
DESCRIPTION	NUMBER	MSRP
Enclosure Panels		
Stainless Steel Top	7031341	\$380
Stainless Steel Side (1)*	7031340	\$995
Press-To-Open Kits†		
Press-To-Open Kit / RH	9018429	\$99
Press-To-Open Kit / LH	9018430	\$99
Reduced Toe Kick Divider**	7029956	\$40
Solid Panel-Ready Door RH***	7031923	\$475
Solid Panel-Ready Door LH***	7031924	\$475
Lock Kit	7028773	\$90
Inventory Tiles (15)	7031944	\$30
Inventory Tiles / Writable (15)	7030331	\$50
Bulk Storage Drawer	7028448	\$475
Dessert Wine Rack	7028451	\$370

*Two side enclosures are required to install top enclosure.

**Required for toekicks from 3 7/8" (98) to 2" (51).

***Installation may require authorized service.

†When installed, the appliance will no longer meet Star-K certification.



24" Wine Storage

MODEL	MSRP
IW-24	\$6,610

SPECIFICATIONS

Overall Dimensions	24"W (610) x 84"H (2134) x 24"D (610)
Design	Designer Series
Wine Storage Capacity	102 bottles (750 ml)
Shipping Weight	410 lbs (185 kg)

FEATURES

- 2 temperature zones
- 5 upper and 10 lower compartment shelves
- Full-view, UV-resistant glass door
- Inventory tile system
- High altitude glass available

Accessories

Dual Installation

DESCRIPTION	NUMBER	MSRP
Dual Installation Kits		
Handle-to-Handle	7023628	\$240
Handle-to-Hinge	7029829	\$240
Hinge-to-Hinge	7029830	\$240
Kickplates*		
42" (1067) Stainless Steel	7027399	\$50
48" (1219) Stainless Steel	7026838	\$50
54" (1372) Stainless Steel	7026839	\$50
60" (1524) Stainless Steel	7026840	\$60

*Will accommodate 4" (102) and 6" (152) toe kick heights.

Accessories

Stainless Steel Door Panels

DESCRIPTION	NUMBER	MSRP
84" (2134) Fin Height – 4" (102) Toe Kick		
Tubular Handle / RH	7025384	\$740
Tubular Handle / RH / Lock	7025388	\$840
Tubular Handle / LH	7025385	\$740
Tubular Handle / LH / Lock	7025389	\$840
Pro Handle / RH	7025336	\$740
Pro Handle / RH / Lock	7025340	\$840
Pro Handle / LH	7025337	\$740
Pro Handle / LH / Lock	7025341	\$840
84" (2134) Fin Height – 6" (152) Toe Kick		
Tubular Handle / RH	7025386	\$740
Tubular Handle / RH / Lock	7025390	\$840
Tubular Handle / LH	7025387	\$740
Tubular Handle / LH / Lock	7025391	\$840
Pro Handle / RH	7025338	\$740
Pro Handle / RH / Lock	7025342	\$840
Pro Handle / LH	7025339	\$740
Pro Handle / LH / Lock	7025343	\$840

Miscellaneous

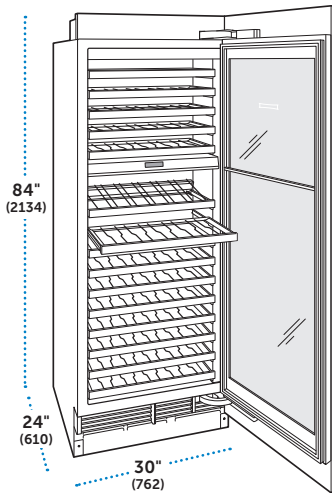
DESCRIPTION	NUMBER	MSRP
Enclosure Panels		
Stainless Steel Top	7031342	\$420
Stainless Steel Side (1)*	7031340	\$995
Press-To-Open Kits†		
Press-To-Open Kit / RH	9018429	\$99
Press-To-Open Kit / LH	9018430	\$99
Reduced Toe Kick Divider**	7029956	\$40
Solid Panel-Ready Door RH***	7031925	\$510
Solid Panel-Ready Door LH***	7031926	\$510
Lock Kit	7028773	\$90
Inventory Tiles (15)	7031944	\$30
Inventory Tiles / Writable (15)	7030331	\$50
Bulk Storage Drawer	7028449	\$555
Dessert Wine Rack	7028451	\$370

*Two side enclosures are required to install top enclosure.

**Required for toekicks from 3 7/8" (98) to 2" (51).

***Installation may require authorized service.

†When installed, the appliance will no longer meet Star-K certification.



30" Wine Storage

MODEL	MSRP
IW-30	\$7,670

SPECIFICATIONS

Overall Dimensions	30"W (762) x 84"H (2134) x 24"D (610)
Design	Designer Series
Wine Storage Capacity	146 bottles (750 ml)
Shipping Weight	460 lbs (208 kg)

FEATURES

- 2 temperature zones
- 5 upper and 10 lower compartment shelves
- Full-view, UV-resistant glass door
- Inventory tile system
- High altitude glass available

Accessories

Dual Installation

DESCRIPTION	NUMBER	MSRP
Dual Installation Kits		
Handle-to-Handle	7023628	\$240
Handle-to-Hinge	7029829	\$240
Hinge-to-Hinge	7029830	\$240
Kickplates*		
48" (1219) Stainless Steel	7026838	\$50
54" (1372) Stainless Steel	7026839	\$50
60" (1524) Stainless Steel	7026840	\$60
66" (1676) Stainless Steel	7026841	\$70

*Will accommodate 4" (102) and 6" (152) toe kick heights.

Accessories

Stainless Steel Door Panels

DESCRIPTION	NUMBER	MSRP
84" (2134) Fin Height – 4" (102) Toe Kick		
Tubular Handle / RH	7025392	\$845
Tubular Handle / RH / Lock	7025396	\$945
Tubular Handle / LH	7025393	\$845
Tubular Handle / LH / Lock	7025397	\$945
Pro Handle / RH	7025344	\$845
Pro Handle / RH / Lock	7025348	\$945
Pro Handle / LH	7025345	\$845
Pro Handle / LH / Lock	7025349	\$945
84" (2134) Fin Height – 6" (152) Toe Kick		
Tubular Handle / RH	7025394	\$845
Tubular Handle / RH / Lock	7025398	\$945
Tubular Handle / LH	7025395	\$845
Tubular Handle / LH / Lock	7025399	\$945
Pro Handle / RH	7025346	\$845
Pro Handle / RH / Lock	7025350	\$945
Pro Handle / LH	7025347	\$845
Pro Handle / LH / Lock	7025351	\$945

Miscellaneous

DESCRIPTION	NUMBER	MSRP
Enclosure Panels		
Stainless Steel Top	7031343	\$450
Stainless Steel Side (1)*	7031340	\$995
Press-To-Open Kits†		
Press-To-Open Kit / RH	9018429	\$99
Press-To-Open Kit / LH	9018430	\$99
Reduced Toe Kick Divider**	7029956	\$40
Solid Panel-Ready Door RH***	7031927	\$540
Solid Panel-Ready Door LH***	7031928	\$540
Lock Kit	7028773	\$90
Inventory Tiles (15)	7031944	\$30
Inventory Tiles / Writable (15)	7030331	\$50
Bulk Storage Drawer	7028450	\$690
Dessert Wine Rack	7028451	\$370
Cherrywood Humidor****	7040181	\$870

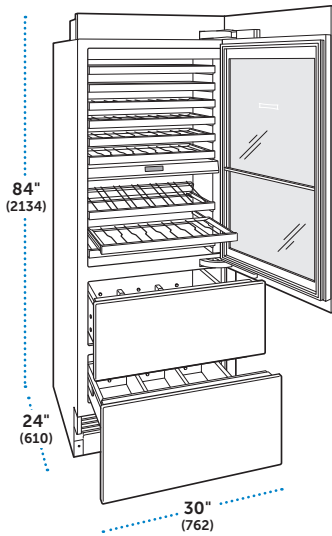
*Two side enclosures are required to install top enclosure.

**Required for toekicks from 3 7/8" (98) to 2" (51).

***Installation may require authorized service.

****100+ capacity with humidity control.

†When installed, the appliance will no longer meet Star-K certification.



30" Wine Storage with Refrigerator Drawers

MODEL	MSRP
IW-30R	\$8,945

SPECIFICATIONS

Overall Dimensions	30"W (762) x 84"H (2134) x 24"D (610)
Design	Designer Series
Wine Storage Capacity	86 bottles (750 ml)
Refrigerator Capacity	5.2 cu ft (147 L)
Shipping Weight	490 lbs (222 kg)

FEATURES

- 3 temperature zones
- 6 upper and 3 lower compartment shelves
- Display shelf
- Full-view, UV-resistant glass door
- High altitude glass available
- 2 refrigerator drawers with removable dividers

Accessories

Stainless Steel Drawer Panels (2-panel set)

DESCRIPTION	NUMBER	MSRP
4" (102) Toe Kick		
Tubular Handle	7023702	\$555
Pro Handle	7025308	\$555
6" (152) Toe Kick		
Tubular Handle	7023703	\$555
Pro Handle	7025309	\$555

Accessories

Stainless Steel Door Panels

DESCRIPTION	NUMBER	MSRP
84" (2134) Finished Height		
Tubular Handle / RH	7025400	\$740
Tubular Handle / RH / Lock	7025402	\$840
Tubular Handle / LH	7025401	\$740
Tubular Handle / LH / Lock	7025403	\$840
Pro Handle / RH	7025352	\$740
Pro Handle / RH / Lock	7025354	\$840
Pro Handle / LH	7025353	\$740
Pro Handle / LH / Lock	7025355	\$840

Dual Installation

DESCRIPTION	NUMBER	MSRP
Dual Installation Kits		
Handle-to-Handle	7023628	\$240
Handle-to-Hinge	7029829	\$240
Hinge-to-Hinge	7029830	\$240

Kickplates*

48" (1219) Stainless Steel	7026838	\$50
54" (1372) Stainless Steel	7026839	\$50
60" (1524) Stainless Steel	7026840	\$60
66" (1676) Stainless Steel	7026841	\$70

*Will accommodate 4" (102) and 6" (152) toe kick heights.

Miscellaneous

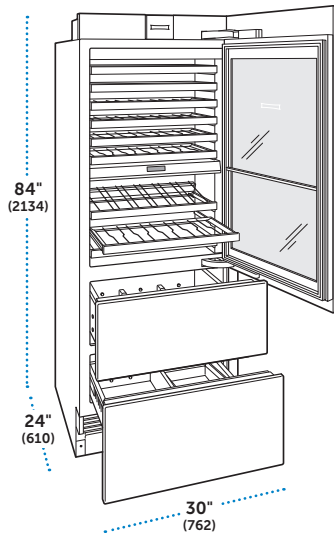
DESCRIPTION	NUMBER	MSRP
Enclosure Panels		
Stainless Steel Top	7031343	\$450
Stainless Steel Side (1)*	7031340	\$995
Mounting Kit		
Drawer Panel Support	7028082	\$15
Reduced Toe Kick Divider**	7029956	\$40
Solid Panel-Ready Door RH***	7031929	\$470
Solid Panel-Ready Door LH***	7031930	\$470
Lock Kit	7028773	\$90
Inventory Tiles (15)	7031944	\$30
Inventory Tiles / Writable (15)	7030331	\$50
Bulk Storage Drawer	7028450	\$690
Dessert Wine Rack	7028451	\$370
Cherrywood Humidor****	7040181	\$870

*Two side enclosures are required to install top enclosure.

**Required for toekicks from 3 7/8" (98) to 2" (51).

***Installation may require authorized service.

****100+ capacity with humidity control.



30" Wine Storage with Combination Drawers

MODEL	MSRP
IW-30CI	\$9,105

SPECIFICATIONS

Overall Dimensions	30"W (762) x 84"H (2134) x 24"D (610)
Design	Designer Series
Wine Storage Capacity	86 bottles (750 ml)
Refrigerator Capacity	3.0 cu ft (85 L)
Freezer Capacity	2.0 cu ft (57 L)
Shipping Weight	495 lbs (225 kg)

FEATURES

- 4 temperature zones
- 6 upper and 3 lower compartment shelves
- Display shelf
- Full-view, UV-resistant glass door
- High altitude glass available
- 1 refrigerator drawer
- 1 freezer drawer
- Removable dividers
- Automatic ice maker

Accessories

Stainless Steel Drawer Panels (2-panel set)

DESCRIPTION	NUMBER	MSRP
4" (102) Toe Kick		
Tubular Handle	7023702	\$555
Pro Handle	7025308	\$555
6" (152) Toe Kick		
Tubular Handle	7023703	\$555
Pro Handle	7025309	\$555

Accessories

Stainless Steel Door Panels

DESCRIPTION	NUMBER	MSRP
84" (2134) Finished Height		
Tubular Handle / RH	7025400	\$740
Tubular Handle / RH / Lock	7025402	\$840
Tubular Handle / LH	7025401	\$740
Tubular Handle / LH / Lock	7025403	\$840
Pro Handle / RH	7025352	\$740
Pro Handle / RH / Lock	7025354	\$840
Pro Handle / LH	7025353	\$740
Pro Handle / LH / Lock	7025355	\$840

Dual Installation

DESCRIPTION	NUMBER	MSRP
Dual Installation Kits		
Handle-to-Handle	7023628	\$240
Handle-to-Hinge	7029829	\$240
Hinge-to-Hinge	7029830	\$240

Kickplates*

48" (1219) Stainless Steel	7026838	\$50
54" (1372) Stainless Steel	7026839	\$50
60" (1524) Stainless Steel	7026840	\$60
66" (1676) Stainless Steel	7026841	\$70

*Will accommodate 4" (102) and 6" (152) toe kick heights.

Miscellaneous

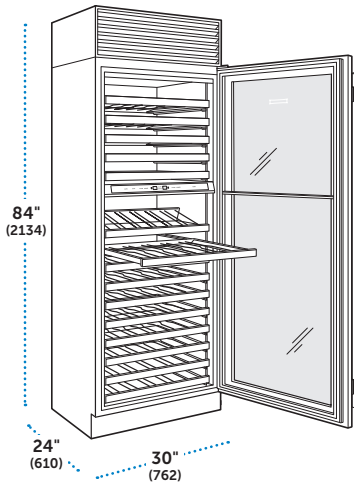
DESCRIPTION	NUMBER	MSRP
Enclosure Panels		
Stainless Steel Top	7031343	\$450
Stainless Steel Side (1)*	7031340	\$995
Mounting Kit		
Drawer Panel Support	7028082	\$15
Reduced Toe Kick Divider**	7029956	\$40
Solid Panel-Ready Door RH***	7031929	\$470
Solid Panel-Ready Door LH***	7031930	\$470
Lock Kit	7028773	\$90
Inventory Tiles (15)	7031944	\$30
Inventory Tiles / Writable (15)	7030331	\$50
Bulk Storage Drawer	7028450	\$690
Dessert Wine Rack	7028451	\$370
Cherrywood Humidor****	7040181	\$870
Water Filter	4204490	\$55

*Two side enclosures are required to install top enclosure.

**Required for toekicks from 3 7/8" (98) to 2" (51).

***Installation may require authorized service.

****100+ capacity with humidity control.



30" Wine Storage

MODEL	MSRP
BW-30/O*	\$7,770
BW-30/S/TH	\$8,775
BW-30/S/PH	\$8,775

*Flush inset and framed design options are achieved by specifying an overlay model. Overlay models include a grille frame that accepts a classic louvered, solid stainless, pro louvered or custom panel insert.

SPECIFICATIONS

Overall Dimensions	30"W (762) x 84"H (2134) x 24"D (610)
Design	Classic Series
Wine Storage Capacity	146 bottles (750 ml)
Shipping Weight	445 lbs (202 kg)

FEATURES

- 2 temperature zones
- 5 upper and 9 lower compartment shelves
- Display shelf
- Full-view, UV-resistant glass door
- High altitude glass available
- 90° door stop

No solid door option available for this model.

Accessories

Grilles

FINISHED HEIGHT	NUMBER	MSRP
Framed		
83" (2108) Classic Louvered	7003518	\$350
88" (2235) Classic Louvered	7003522	\$450
Overlay or Flush Inset		
83" (2108) Grille Frame	7003530	\$270
84" (2134) Grille Frame	7007135	\$240
88" (2235) Grille Frame	7003534	\$240
Stainless Steel		
83" (2108) Pro Louvered	7003542	\$385
84" (2134) Pro Louvered	7007131	\$430
88" (2235) Pro Louvered	7003546	\$490

Framed Application

DESCRIPTION	NUMBER	MSRP
Classic Louvered Insert*	7014849	\$150
Handle (1)		
Full-Length Standard	7014887	\$120
Full-Length Extended	7003462	\$120

*Slides into overlay grille, 84" (2134) finished height.

Accessories

Single Flush Inset Panels – Stainless Steel

DESCRIPTION	NUMBER	MSRP
Grille*		
Solid SS Panel	7008870	\$210
Pro Louvered	7020157	\$330
Tubular Handle		
Door Panel	7029159	\$900
Pro Handle		
Door Panel	7010268	\$900

*84" (2134) finished height.

Dual Flush Inset Panels – Stainless Steel

DESCRIPTION	NUMBER	MSRP
Dual Wide Grille*		
60" (1524) Solid SS Panel	7008882	\$440
66" (1676) Solid SS Panel	7013367	\$470
Tubular Handle		
Door Panel	7029160	\$900
Pro Handle		
Door Panel	7010274	\$900

*84" (2134) finished height. Solid SS panel requires dual installation kit 7012623 or 7004811.

Dual Installation Kit with Dual Wide Grille

DESCRIPTION	NUMBER	MSRP
Framed		
60" (1524) Classic Louvered	7004808	\$1,120
Overlay or Flush Inset		
60" (1524) Grille Frame	7004810	\$905
66" (1676) Grille Frame	7012623	\$930
Stainless Steel Flush Inset		
60" (1524) Pro Louvered	7020161	\$1,060
66" (1676) Pro Louvered	7020162	\$1,085
Stainless Steel		
60" (1524) Pro Louvered	7004812	\$1,200
66" (1676) Pro Louvered	7012624	\$1,225

For handle-to-handle installations only. Kit includes dual wide kickplate and dual wide grille for 84" (2134) finished height, center trim strip, heater and mounting hardware.

Dual Installation Kit

DESCRIPTION	NUMBER	MSRP
All Designs		
Dual Installation Kit	7003411	\$370

For handle-to-handle installations only. Kit includes center trim strip, heater and mounting hardware.

Miscellaneous

DESCRIPTION	NUMBER	MSRP
Mounting Kits		
Custom Side Panel	7003407	\$110
Side Panels		
Stainless Steel (1)	7003408	\$770
White Enamel (1)	7003409	\$530
Kickplates		
Stainless Steel RH	7010358	\$40
Stainless Steel LH	7010359	\$40
Lock Kit	7011215	\$215
90° Door Stop	7005865	N/C
Inventory Tiles (15)	7031944	\$30
Inventory Tiles / Writable (15)	7030331	\$50
Bulk Storage Drawer	7040427	\$790
Dessert Wine Rack	7040428	\$320
Cherrywood Humidor*	7040426	\$870

*100+ capacity with humidity control.

Undercounter Refrigeration

Sub-Zero undercounter refrigeration is a helpful addition to a master suite, bar, home office, or media room. In the kitchen, a high-volume ice maker is a must for entertaining. The design flexibility of these efficiently sized units makes them all the more welcome in any room or outdoor kitchen.

- Overlay and stainless steel design applications.
- Handle options coordinate with Wolf cooking and Cove dishwashing products.
- Models UC-24RO and UC-15I(P)O are rated for outdoor use.
- Energy efficient; many models are ENERGY STAR® qualified.
- All models are Star-K certified.

MODEL NUMBER KEY

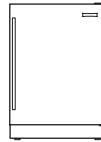
Undercounter Refrigeration	UC
All Refrigerator	R
Beverage Center	B
Combination Refrigerator/Freezer	C
Ice Maker	I
Glass Door	G
High Altitude Glass Door	A
Outdoor Model	O
Drain Pump	P
Overlay Model	/O
Stainless Steel Model	/S
Tubular Handle	/TH
Pro Handle	/PH
Right-Hinge	-RH
Left-Hinge	-LH

Specify right-hinge (-RH) or left-hinge (-LH) door when ordering, excludes ice maker.

Annual energy usage is based on 12 cents per kilowatt hour.

Model UC-24BA with high altitude glass door is available for installations above 5,000' (1524 m) in elevation.

Undercounter Models



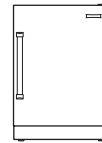
UC-24R



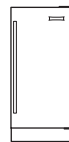
UC-24BG



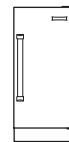
UC-24C(I)



UC-24RO

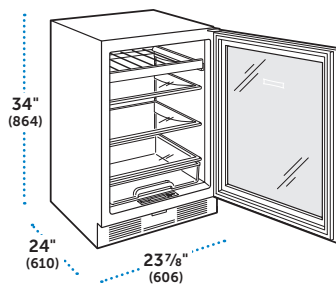
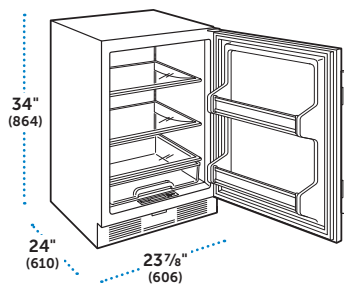


UC-15I(P)



UC-15I(P)O

Undercounter Refrigeration



24" All Refrigerator

MODEL	MSRP
UC-24R	\$2,255

SPECIFICATIONS

Overall Dimensions	23 7/8"W (606) x 34"H (864) x 24"D (610)
Refrigerator Capacity	5.7 cu ft (161 L)
Shipping Weight	130 lbs (59 kg)
Annual Energy Usage	\$38 (280 kWh)

FEATURES

- 2 adjustable glass shelves
- Utility bin
- 2 door shelves
- Door alarm

Accessories

DESCRIPTION	NUMBER	MSRP
Stainless Steel Door Panel		
Tubular Handle	7030428	\$480
Pro Handle	7030429	\$480
Silver Kickplate	7030801	\$80
Lock Kit	7030802	\$150
Dual Installation		
Dual Installation Kit*	7030447	\$105
Dual Lock Kit	7030527	\$230
Black Dual Kickplate	7030799	\$150
Silver Dual Kickplate	7030800	\$150

*Handle to handle installation only.

24" Beverage Center

MODEL	MSRP
UC-24BG/O	\$2,400
UC-24BG/S/TH	\$2,585
UC-24BG/S/PH	\$2,585

SPECIFICATIONS

Overall Dimensions	23 7/8"W (606) x 34"H (864) x 24"D (610)
Wine Storage Capacity	8 bottles (750 ml)
Refrigerator Capacity	6.0 cu ft (170 L)
Shipping Weight	135 lbs (61 kg)
Annual Energy Usage	\$38 (314 kWh)

FEATURES

- Adjustable beverage storage rack
- 2 adjustable glass shelves
- Utility bin
- Door alarm
- Full-view, UV-resistant glass door
- High altitude glass available

Accessories

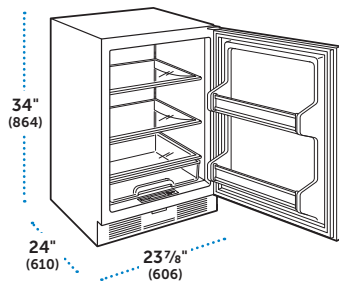
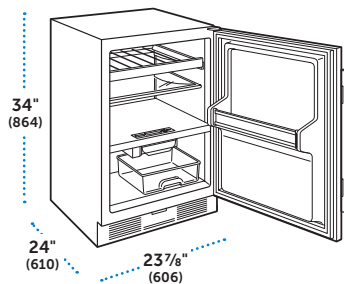
DESCRIPTION	NUMBER	MSRP
Cocoa Back Wall Kit***	7041076	\$60
Solid Overlay Door**	7005924	\$360
Glass Shelf	7001877	\$50
Wine Rack	7030946	\$210
Silver Kickplate	7030801	\$80
Lock Kit	7030802	\$150
Dual Installation		
Dual Installation Kit*	7030447	\$105
Dual Lock Kit	7030527	\$230
Black Dual Kickplate	7030799	\$150
Silver Dual Kickplate	7030800	\$150

*Handle to handle installation only.

**Installation may require authorized service.

***Modify UC-24BG to pair with UW-24.

Undercounter Refrigeration



24" Combination

MODEL	MSRP
UC-24C	\$2,540
UC-24CI	\$2,700

SPECIFICATIONS

Overall Dimensions	23 7/8"W (606) x 34"H (864) x 24"D (610)
Refrigerator Capacity	3.7 cu ft (105 L)
Wine Storage Capacity	8 bottles (750 ml)
Freezer Capacity	1.1 cu ft (31 L)
Shipping Weight	130 lbs (59 kg)
Annual Energy Usage	
UC-24C	\$49 (405 kWh)
UC-24CI	\$59 (489 kWh)

FEATURES

- Beverage storage shelf
- Adjustable glass shelf and stationary shelf
- Door shelf
- Automatic ice maker (UC-24CI)
- Door alarm

Accessories

DESCRIPTION	NUMBER	MSRP
Stainless Steel Door Panel		
Tubular Handle	7030428	\$480
Pro Handle	7030429	\$480
Silver Kickplate	7030801	\$80
Lock Kit	7030802	\$150
Dual Installation		
Dual Installation Kit*	7030447	\$105
Dual Lock Kit	7030527	\$230
Black Dual Kickplate	7030799	\$150
Silver Dual Kickplate	7030800	\$150

*Handle to handle installation only.

24" Outdoor All Refrigerator

MODEL	MSRP
UC-24RO/PH	\$3,080

SPECIFICATIONS

Overall Dimensions	23 7/8"W (606) x 34"H (864) x 24"D (610)
Refrigerator Capacity	5.7 cu ft (161 L)
Shipping Weight	130 lbs (59 kg)
Annual Energy Usage	\$38 (280 kWh)

FEATURES

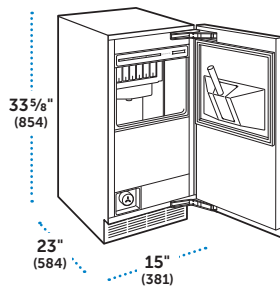
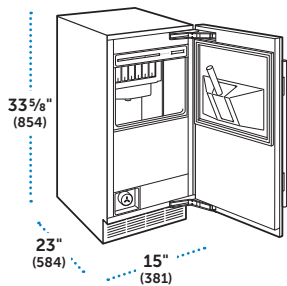
- 2 adjustable glass shelves and stationary shelf
- Utility bin
- 2 door shelves
- Door lock
- Door alarm

Accessories

DESCRIPTION	NUMBER	MSRP
Dual Installation		
Dual Installation Kit*	7030447	\$105
Stainless Steel Dual Kickplate	7030804	\$150

*Handle to handle installation only.

Undercounter Refrigeration



15" Ice Maker

MODEL	MSRP
UC-15I	\$3,195
UC-15IP	\$4,045

SPECIFICATIONS

Overall Dimensions	15"W (381) x 33 5/8"H (854) x 23"D (584)
Ice Storage Capacity	26 lbs (12 kg)
Shipping Weight	117 lbs (53 kg)

FEATURES

- Ice scoop
- Drain pump (UC-15IP)
- Water filtration system

15" Outdoor Ice Maker

MODEL	MSRP
UC-15IO	\$3,515
UC-15IPO	\$4,365

SPECIFICATIONS

Overall Dimensions	15"W (381) x 33 5/8"H (854) x 23"D (584)
Ice Storage Capacity	26 lbs (12 kg)
Shipping Weight	117 lbs (53 kg)

FEATURES

- Ice scoop
- Drain pump (UC-15IPO)
- Water filtration system

Accessories

DESCRIPTION	NUMBER	MSRP
15" (381) Stainless Steel Door Panel		
Tubular Handle	7030430	\$385
Pro Handle	7030431	\$385
18" (457) Stainless Steel Door Panel		
Tubular Handle	7030432	\$395
Pro Handle	7030433	\$395
3" (76) Stainless Steel Filler	7012363	\$80
Stainless Steel Kickplate	7013395	\$40
Cleaning Solution*	7013400	\$25
Sanitizing Solution*	7013401	\$25
Water Filter	7012333	\$65

*Must be purchased with ice maker.

Accessories

DESCRIPTION	NUMBER	MSRP
15" (381) Stainless Steel Door Panel		
Pro Handle	7030434	\$385
Stainless Steel Kickplate	7013395	\$40
Cleaning Solution*	7013400	\$25
Sanitizing Solution*	7013401	\$25
Water Filter	7012333	\$65

*Must be purchased with ice maker.

Accessory Handles

Stainless Steel Handles

Tubular Handles (Square Standoffs)

DESCRIPTION	NUMBER	MSRP
¾" (19) Diameter		
21¼" (540)	7025231	\$160
24¼" (616)	7025230	\$160
24¾" (629)	7029193	\$160
27¼" (692)	7025229	\$160
33¼" (845)	7025228	\$160
50 ⅜" (1273)	7025227	\$185
1" (25) Diameter		
24 ⅝" (633)	7029181	\$160
30 ⅝" (770)	7029174	\$160
36 ⅝" (922)	7030668	\$160
44¼" (1124)	7029168	\$185
63 ⅞" (1622)	7029157	\$185

Tubular Handles (Obround Standoffs)

DESCRIPTION	NUMBER	MSRP
¾" (19) Diameter		
24 ⅜" (614)	7007246	\$180
41 ⅜" (1046)	7007250	\$200
1" (25) Diameter		
24 ⅝" (633)	7007247	\$180
30 ⅝" (770)	7007248	\$180
44¼" (1124)	7007251	\$190
63 ⅞" (1622)	7007253	\$190

Pro Handles

DESCRIPTION	NUMBER	MSRP
15 11/16" (399)	7007002	\$160
17 9/16" (446)	7006854	\$160
19 1/2" (495)	7026119	\$160
21" (533)	7006853	\$160
22 1/2" (572)	7026118	\$160
23 5/8" (600)	7006855	\$160
25 1/2" (648)	7026117	\$160
29 5/8" (753)	7027250	\$160
31 1/2" (800)	7026116	\$160
37 1/2" (953)	7006858	\$185
39 9/16" (1006)	7006857	\$185
45 3/16" (1148)	7006860	\$185
48 3/8" (1229)	7026115	\$185

Framed Full-Length Handles

DESCRIPTION	NUMBER	MSRP
BI-36R, BI-36RG, BI-36F and BW-30		
Standard Handle	7014887	\$120
Extended Handle	7003462	\$120
BI-30U and BI-30UG		
Standard 2-Handle Set	7014888	\$170
Extended 2-Handle Set	7003463	\$200
BI-36U(ID) and BI-36UG		
Standard 2-Handle Set	7014889	\$170
Extended 2-Handle Set	7003464	\$200
BI-36UFD(ID)		
Standard 3-Handle Set	7023375	\$230
Extended 3-Handle Set	7023376	\$250
BI-42UFD(ID)		
Standard 3-Handle Set	7027154	\$250
Extended 3-Handle Set	7027155	\$305
Side-by-Side		
Standard 2-Handle Set	7014890	\$170
Extended 2-Handle Set	7003465	\$200

Stainless Steel Handles

Standard Handle Length

MODEL	TUBULAR	PRO
Classic Series		
Full Door	63 ⁷ / ₈ " (1622)	45 ³ / ₁₆ " (1148)
Over-and-Under Door	44 ¹ / ₄ " (1124)	37 ¹ / ₂ " (952)
42" Drawer	36 ⁵ / ₁₆ " (922)	29 ⁵ / ₈ " (753)
36" Drawer	30 ⁵ / ₁₆ " (770)	23 ⁵ / ₈ " (600)
30" Drawer	24 ⁵ / ₁₆ " (633)	17 ⁹ / ₁₆ " (447)
PRO Series		
PRO4850, PRO3650 Door	N/A	27 ¹¹ / ₁₆ " (703)
PRO4850 Refrigerator Drawer	N/A	19 ¹⁵ / ₁₆ " (506)
PRO4850 Freezer Drawer	N/A	11 ⁹ / ₁₆ " (294)
PRO3650 Drawer	N/A	26 ⁵ / ₁₆ " (668)
Designer Series		
Column Door	50 ¹ / ₈ " (1273)	48 ³ / ₈ " (1229)
Tall Door	33 ¹ / ₄ " (845)	31 ¹ / ₂ " (800)
36" Drawer	33 ¹ / ₄ " (845)	31 ¹ / ₂ " (800)
30" Drawer	27 ¹ / ₄ " (692)	25 ¹ / ₂ " (648)
27" Drawer	24 ¹ / ₄ " (616)	22 ¹ / ₂ " (572)
24" Drawer	21 ¹ / ₄ " (540)	19 ¹ / ₂ " (495)
Wine Storage		
BW-30 Door	63 ⁷ / ₈ " (1622)	45 ³ / ₁₆ " (1147)
IW-18, IW-24, IW-30 Door	50 ¹ / ₈ " (1273)	48 ³ / ₈ " (1229)
IW-30R, IW-30CI Door	33 ¹ / ₄ " (845)	31 ¹ / ₂ " (800)
UW-24 Door	24 ¹ / ₄ " (616)	22 ¹ / ₂ " (572)
IW-30R, IW-30CI Drawer	27 ¹ / ₄ " (692)	22 ¹ / ₂ " (572)
Undercounter		
Door	24 ¹ / ₄ " (616)	22 ¹ / ₂ " (572)
Outdoor Door	N/A	15 ¹¹ / ₁₆ " (399)
Ice Maker	24 ³ / ₄ " (629)	15 ¹¹ / ₁₆ " (399)

This page intentionally left blank

This page intentionally left blank

This page intentionally left blank

Sub-Zero Residential Limited Warranty

FOR RESIDENTIAL USE

Full Two Year Warranty*

For two years from the date of original installation, this Sub-Zero product warranty covers all parts and labor to repair or replace, under normal residential use, any part of the product that proves to be defective in materials or workmanship. All service provided by Sub-Zero under the above warranty must be performed by Sub-Zero factory certified service, unless otherwise specified by Sub-Zero, Inc. Service will be provided during normal business hours.

Full Five Year Sealed System Warranty

For five years from the date of original installation, this Sub-Zero product warranty covers all parts and labor to repair or replace, under normal residential use, these parts that prove to be defective in materials or workmanship: compressor, condenser, evaporator, drier and all connecting tubing. All service provided by Sub-Zero under the above warranty must be performed by Sub-Zero factory certified service, unless otherwise specified by Sub-Zero, Inc. Service will be provided during normal business hours.

Limited Twelve Year Sealed System Warranty

For twelve years from the date of original installation, Sub-Zero will repair or replace the following parts that prove to be defective in materials or workmanship: compressor, condenser, evaporator, drier and all connecting tubing. If the owner uses Sub-Zero factory certified service, the service provider will repair or replace these parts with the owner paying for all other costs, including labor. If the owner uses non-certified service, the owner must contact Sub-Zero, Inc. (using the information below) to receive repaired or replacement parts. Sub-Zero will not reimburse the owner for parts purchased from non-certified service or other sources.

Terms Applicable to Each Warranty

The warranty applies only to products installed for normal residential use. The warranty applies only to products installed in any one of the fifty states of the United States, the District of Columbia or the ten provinces of Canada. This warranty does not cover any parts or labor to correct any defect caused by negligence, accident or improper use, maintenance, installation, service or repair.

THE REMEDIES DESCRIBED ABOVE FOR EACH WARRANTY ARE THE ONLY ONES THAT SUB-ZERO, INC. WILL PROVIDE, EITHER UNDER THIS WARRANTY OR UNDER ANY WARRANTY ARISING BY OPERATION OF LAW. SUB-ZERO, INC. WILL NOT BE RESPONSIBLE FOR ANY CONSEQUENTIAL OR INCIDENTAL DAMAGES ARISING FROM THE BREACH OF THIS WARRANTY OR ANY OTHER WARRANTY, WHETHER EXPRESS, IMPLIED OR STATUTORY.

Some states do not allow the exclusion or limitation of incidental or consequential damages, so the above limitation or exclusion may not apply to you. This warranty gives you specific legal rights and you may also have other legal rights that vary from state to state.

To receive parts and/or service and the name of Sub-Zero factory certified service nearest you, contact Sub-Zero, Inc., P.O. Box 44848, Madison, WI 53744; check the contact & support section of our website, subzero.com, email us at customerservice@subzero.com or call 800-222-7820.

*Stainless steel (doors, panels, handles, product frames and interior surfaces) are covered by a limited 60-day parts and labor warranty for cosmetic defects.

*Replacement water filters and air purification cartridges are not covered by the product warranty.



Sub-Zero Outdoor Limited Warranty*

FOR RESIDENTIAL USE

Full One Year Warranty**

For one year from the date of original installation, this Sub-Zero product warranty covers all parts and labor to repair or replace, under normal residential use, any part of the product that proves to be defective in materials or workmanship. All service provided by Sub-Zero under the above warranty must be performed by Sub-Zero factory certified service, unless otherwise specified by Sub-Zero, Inc. Service will be provided during normal business hours.

Full Five Year Sealed System Warranty

For five years from the date of original installation, this Sub-Zero product warranty covers all parts and labor to repair or replace, under normal residential use, these parts that prove to be defective in materials or workmanship: compressor, condenser, evaporator, drier and all connecting tubing. All service provided by Sub-Zero under the above warranty must be performed by Sub-Zero factory certified service, unless otherwise specified by Sub-Zero, Inc. Service will be provided during normal business hours.

Terms Applicable to Each Warranty

The warranty applies only to products installed for normal residential use. The warranty applies only to products installed in any one of the fifty states of the United States, the District of Columbia or the ten provinces of Canada. This warranty does not cover any parts or labor to correct any defect caused by negligence, accident or improper use, maintenance, installation, service or repair.

THE REMEDIES DESCRIBED ABOVE FOR EACH WARRANTY ARE THE ONLY ONES THAT SUB-ZERO, INC. WILL PROVIDE, EITHER UNDER THIS WARRANTY OR UNDER ANY WARRANTY ARISING BY OPERATION OF LAW. SUB-ZERO, INC. WILL NOT BE RESPONSIBLE FOR ANY CONSEQUENTIAL OR INCIDENTAL DAMAGES ARISING FROM THE BREACH OF THIS WARRANTY OR ANY OTHER WARRANTY, WHETHER EXPRESS, IMPLIED OR STATUTORY.

Some states do not allow the exclusion or limitation of incidental or consequential damages, so the above limitation or exclusion may not apply to you. This warranty gives you specific legal rights and you may also have other legal rights that vary from state to state.

To receive parts and/or service and the name of Sub-Zero factory certified service nearest you, contact Sub-Zero, Inc., P.O. Box 44848, Madison, WI 53744; check the contact & support section of our website, subzero.com, email us at customerservice@subzero.com or call 800-222-7820.

*Product must be approved for outdoor use, designated by model and serial number.

**Stainless steel (doors, panels, handles, product frames and interior surfaces) are covered by a limited 60-day parts and labor warranty for cosmetic defects.

**Replacement water filters are not covered by the product warranty.



Sub-Zero Display Products Limited Warranty*

FOR RESIDENTIAL USE

Full One Year Warranty**

For one year from the date of original installation, this Sub-Zero product warranty covers all parts and labor to repair or replace, under normal residential use, any part of the product that proves to be defective in materials or workmanship. All service provided by Sub-Zero under the above warranty must be performed by Sub-Zero factory certified service, unless otherwise specified by Sub-Zero, Inc. Service will be provided during normal business hours.

Limited Five Year Sealed System Warranty

For five years from the date of original installation, Sub-Zero will repair or replace the following parts that prove to be defective in materials or workmanship: compressor, condenser, evaporator, drier and all connecting tubing. If the owner uses Sub-Zero factory certified service, the service provider will repair or replace these parts with the owner paying for all other costs, including labor. If the owner uses non-certified service, the owner must contact Sub-Zero, Inc. (using the information below) to receive repaired or replacement parts. Sub-Zero will not reimburse the owner for parts purchased from non-certified service or other sources.

Terms Applicable to Each Warranty

The warranty applies only to products installed for normal residential use. The warranty applies only to products installed in any one of the fifty states of the United States, the District of Columbia or the ten provinces of Canada. This warranty does not cover any parts or labor to correct any defect caused by negligence, accident or improper use, maintenance, installation, service or repair.

THE REMEDIES DESCRIBED ABOVE FOR EACH WARRANTY ARE THE ONLY ONES THAT SUB-ZERO, INC. WILL PROVIDE, EITHER UNDER THIS WARRANTY OR UNDER ANY WARRANTY ARISING BY OPERATION OF LAW. SUB-ZERO, INC. WILL NOT BE RESPONSIBLE FOR ANY CONSEQUENTIAL OR INCIDENTAL DAMAGES ARISING FROM THE BREACH OF THIS WARRANTY OR ANY OTHER WARRANTY, WHETHER EXPRESS, IMPLIED OR STATUTORY.

Some states do not allow the exclusion or limitation of incidental or consequential damages, so the above limitation or exclusion may not apply to you. This warranty gives you specific legal rights and you may also have other legal rights that vary from state to state.

To receive parts and/or service and the name of Sub-Zero factory certified service nearest you, contact Sub-Zero, Inc., P.O. Box 44848, Madison, WI 53744; check the contact & support section of our website, subzero.com, email us at customerservice@subzero.com or call 800-222-7820.

*Display products sold more than three years from date of manufacture.

**Stainless steel (doors, panels, handles, product frames and interior surfaces) are covered by a limited 60-day parts and labor warranty for cosmetic defects.

**Replacement water filters and air purification cartridges are not covered by the product warranty.



Sub-Zero Non-Residential Limited Warranty

FOR NON-RESIDENTIAL USE

Full One Year Warranty*

For one year from the date of original installation, this Sub-Zero product warranty covers all parts and labor to repair or replace, under normal use, any part of the product that proves to be defective in materials or workmanship. All service provided by Sub-Zero under the above warranty must be performed by Sub-Zero factory certified service, unless otherwise specified by Sub-Zero, Inc. Service will be provided during normal business hours.

Limited Five Year Sealed System Warranty

For five years from the date of original installation, Sub-Zero will repair or replace the following parts that prove to be defective in materials or workmanship: compressor, condenser, evaporator, drier and all connecting tubing. If the owner uses Sub-Zero factory certified service, the service provider will repair or replace these parts with the owner paying for all other costs, including labor. If the owner uses non-certified service, the owner must contact Sub-Zero, Inc. (using the information below) to receive repaired or replacement parts. Sub-Zero will not reimburse the owner for parts purchased from non-certified service or other sources.

Terms Applicable to Each Warranty

The warranty applies only to products installed for normal use. The warranty applies only to products installed in any one of the fifty states of the United States, the District of Columbia or the ten provinces of Canada. This warranty does not cover any parts or labor to correct any defect caused by negligence, accident or improper use, maintenance, installation, service or repair.

THE REMEDIES DESCRIBED ABOVE FOR EACH WARRANTY ARE THE ONLY ONES THAT SUB-ZERO, INC. WILL PROVIDE, EITHER UNDER THIS WARRANTY OR UNDER ANY WARRANTY ARISING BY OPERATION OF LAW. SUB-ZERO, INC. WILL NOT BE RESPONSIBLE FOR ANY CONSEQUENTIAL OR INCIDENTAL DAMAGES ARISING FROM THE BREACH OF THIS WARRANTY OR ANY OTHER WARRANTY, WHETHER EXPRESS, IMPLIED OR STATUTORY.

Some states do not allow the exclusion or limitation of incidental or consequential damages, so the above limitation or exclusion may not apply to you. This warranty gives you specific legal rights and you may also have other legal rights that vary from state to state.

To receive parts and/or service and the name of Sub-Zero factory certified service nearest you, contact Sub-Zero, Inc., P.O. Box 44848, Madison, WI 53744; check the contact & support section of our website, subzero.com, email us at customerservice@subzero.com or call 800-222-7820.

*Stainless steel (doors, panels, handles, product frames and interior surfaces) are covered by a limited 60-day parts and labor warranty for cosmetic defects.

*Replacement water filters and air purification cartridges are not covered by the product warranty.



20

20



SUB-ZERO, INC. • P.O. BOX 44130 MADISON, WI 53744 • SUBZERO.COM • 800-222-7820