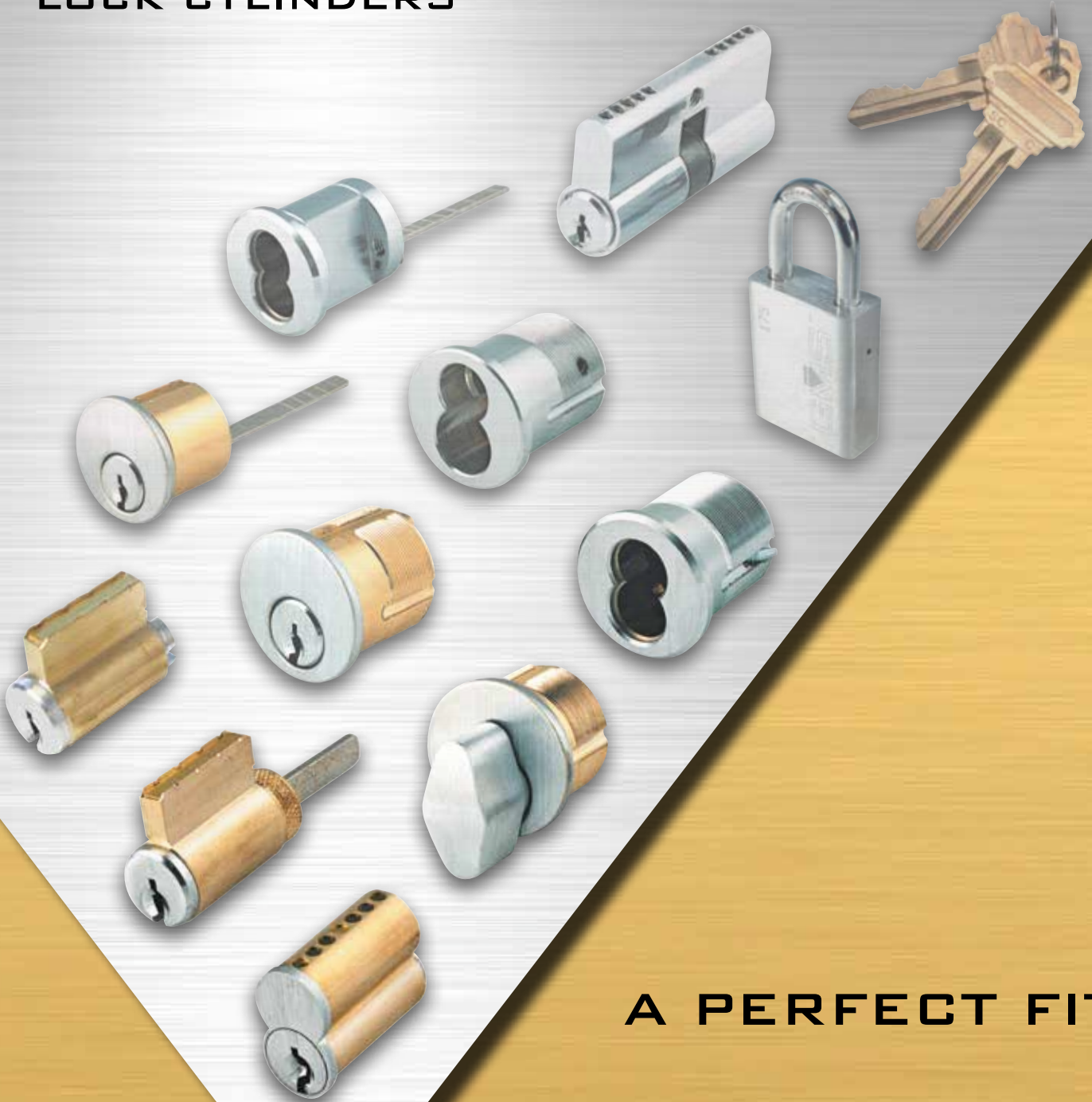


UPDATED
2019

GMSTM
LOCK CYLINDERS



A PERFECT FIT



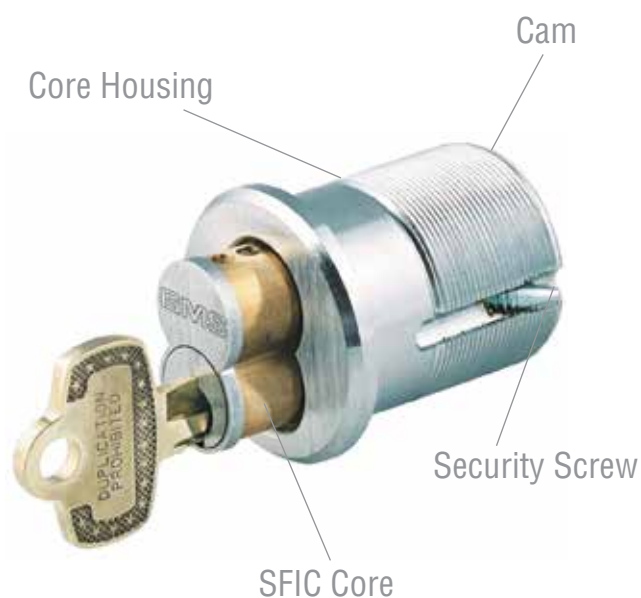
ABOUT GMS

Our commitments to quality, value, and customers' needs are the core values at GMS. Since inception, our business and reputation has been built on manufacturing the highest quality, most reliable products in the industry. With unwavering attention to detail, and meeting OEM specifications, we strive to make our products "The Perfect Fit" for all applications where our customers use our cylinders.

Our mission as a company is to be the preferred brand and market leader of lock cylinders and related products to after-market distributors and end users. We accomplish this by providing high quality, value priced products, with reliable and consistent service while bringing to the market new and innovative product solutions. In doing so we strive to operate in a respectful, honest and forthright manner with customers, suppliers, employees and other stakeholders in the company.

GMS continues to expand our product offering with needed alternatives to OEM products to fill customer needs. Our continued expansion of small and large format interchangeable core products provide our customers with high quality alternatives to high priced OEM products.

We pledge to provide our customers the best product, the best value, and best customer service in the industry so we can continue to be "The Perfect Fit" supplier for you.



- 2 ▶ General Information
- 3 ▶ Keyways
- 4 ▶ Mortise Cylinders
- 6 ▶ Mortise T-Turn Cylinders
- 10 ▶ Mortise Dummy Cylinders
- 12 ▶ Rim Cylinders
- 14 ▶ Rim Dummy Cylinders
- 16 ▶ Knob/Lever Cylinders
- 20 ▶ Small Format IC Cores
- 22 ▶ Large Format IC Cores
- 24 ▶ Small Format Mortise IC Housings
- 26 ▶ Large Format Mortise IC Housings
- 30 ▶ Small & Large Format Rim IC Housings
- 32 ▶ Profile Cylinders
- 34 ▶ Standard Padlocks
- 36 ▶ IC Core Padlocks
- 38 ▶ LFIC Core Padlock
- 40 ▶ Key Blanks



GENERAL INFORMATION

Numbering System

The GMS numbering system is shown in each section of the catalog. The necessary information required to ensure that you receive the right product each and every time is shown. In creating our numbering system we have attempted to make the numbering system as descriptive and intuitive as possible. All the information such as product type, length, keyway, finish, cam and keying requirements can easily be built into the product number of the product you desire.

Keying

GMS offers a wide array of keying options. Cylinders are usually stocked keyed alike in pairs. We also offer keyed random and zero bitted cylinders in a wide array of products. The cylinders are packaged with uncut keys to be used when pinning the cylinder. GMS also offers Master Keying, Grand Master Keying, Construction Keying and numerous other options. Please contact us for details.

Specifications

GMS cylinders are designed, engineered and manufactured to OEM specifications. This is something we do not compromise on. As a result you can have the utmost confidence that when keying into a system you will maintain the integrity of the system. Our cylinders will have the exact depth and spacing as originals at a fraction of the cost.

Finishes



US3
Polished Brass



US4
Satin Brass



US10
Satin Bronze



US15
Satin Nickel



US26
Polished Chrome



US26D
Satin Chrome



US32D
Stainless Steel



US10B
Oil Rubbed Bronze

Standard Keyways

GMS manufactures the keyways shown below as part of our standard offering. All of the keyways are designed to meet the OEM specification.



Arrow 1179
AW



Assa 62
A62



Assa Twin 6000
AST



Assa V10
ASV



Corbin 60
CB60



Corbin L4
CL4



Kwikset 1176
KW



Russwin D1
RD1



Sargent LA
SA



Sargent LA~LD
SAX



Sargent LB
SLB



Sargent RA
RA



Schlage C
SC



Schlage C123
G23



Schlage C145
G45



Schlage C~K
SX



Schlage E
SCE



Schlage F
SCF



Segal 9
SE



Weiser E
WR



Yale 8
YA



Yale GA
YGA

Small Format Interchangeable Core Keyways

GMS meets the precise tolerances required for SFIC Cores. Precision manufacturing means that there will not be any key interchange when using these products.



Arrow **1C**



Arrow **1D**



Best **A**



Best **B**



Best **C**



Best **D**



Best **E**



Best **F**



Best **G**



Best **H**



Best **J**



Best **K**



Best **L**



Best **M**



Best **Q**



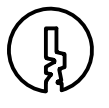
Best **R**



Best **DD**



Best **TB**



Best **TC**



Best **TD**



Best **TE**



Best **WA**



Best **WB**



Best **WC**



Best **WD**



Best **WG**



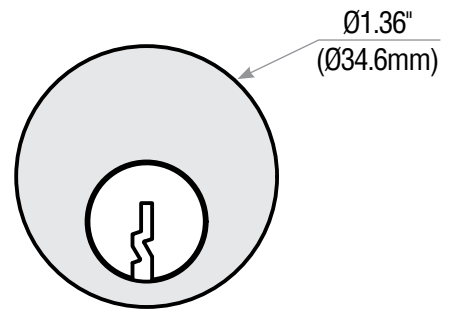
Best **WH**

MORTISE CYLINDERS

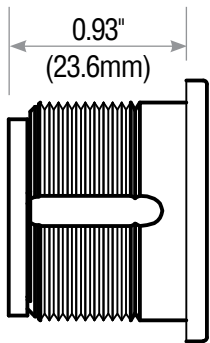
- ▶ Exact pinning specifications as original systems
- ▶ Solid brass construction
- ▶ 22 keyways
- ▶ 6 popular lengths
- ▶ 7 popular cams
- ▶ Available in eight finishes



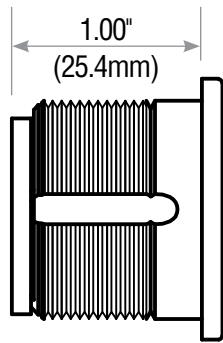
Model #	Type	Length
M156	Mortise cylinder	15/16" length
M100	Mortise cylinder	1" length
M118	Mortise cylinder	1-1/8" length
M114	Mortise cylinder	1-1/4" length
M138	Mortise cylinder	1-3/8" length
M112	Mortise cylinder	1-1/2" length



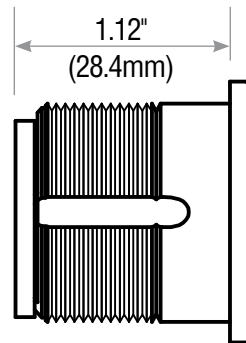
Custom lengths available, call for details.



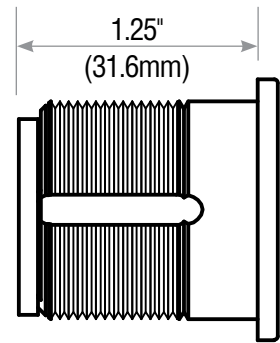
M156



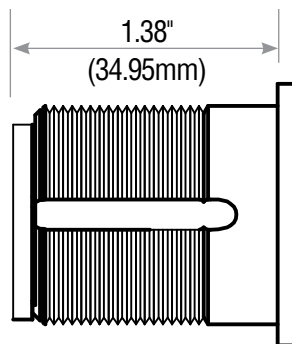
M100



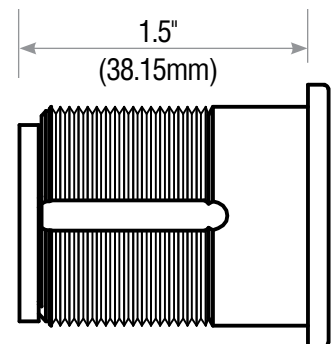
M118



M114

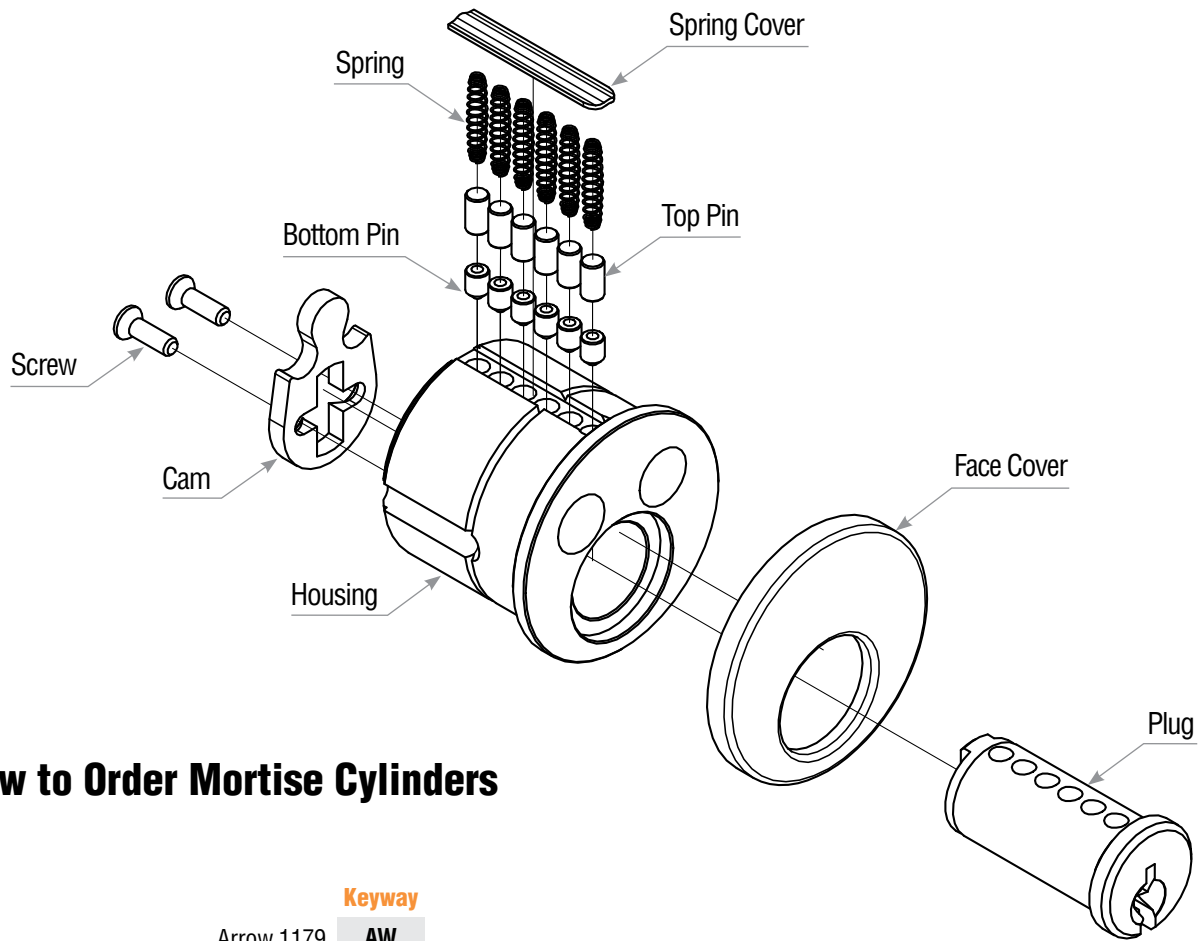


M138



M112

Mortise Cylinder Schematic Drawing



How to Order Mortise Cylinders

		Keyway				Cam		Keying	
		Arrow 1179	AW			Almet	AL	Keyed alike	A2
		Assa 62	A62*			AdamsRite	AR	in pairs	A2-6**
		Assa Twin 6000	AST*			AdamsRite & Yale	AT	Zero	OB
		Assa V10	ASV*			Best	BE	bitted	OB-6**
		Corbin 60	CB			Corbin	CL	Keyed	KD
		Corbin L4	CL4			Sargent	SA	different	KD-6**
		Kwikset 1176	KW			Schlage	SL	Special	KS
		Russwin D1	RD1			Yale	ST	keying	KS-6**
		Sargent LA	SA			Falcon/Saflok	TS		
		Sargent LA~LD	SAX						
		Sargent LB	SLB						
		Sargent RA	RA						
		Schlage C	SC						
		Schlage C123	G23*						
		Schlage C145	G45*	Finish					
		Schlage C~K	SX	Polished Brass	3				
		Schlage E	SCE	Satin Brass	4				
		Schlage F	SCF	Satin Bronze	10				
		Segal 9	SE	Satin Nickel	15				
		Weiser E	WR	Polished Chrome	26				
		Yale 8	YA	Satin Chrome	26D				
		Yale GA	YGA	Stainless Steel	32D				
				Oil Rubbed Bronze	10B				
Model #									
15/16" Mortise	M156								
1" Mortise	M100								
1-1/8" Mortise	M118								
1-1/4" Mortise	M114								
1-3/8" Mortise	M138								
1-1/2" Mortise	M112								

M118	WR	26D	ST	A2
-------------	-----------	------------	-----------	-----------

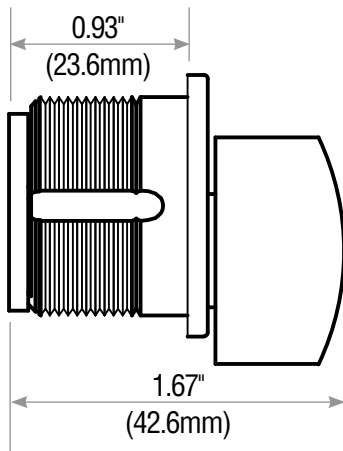
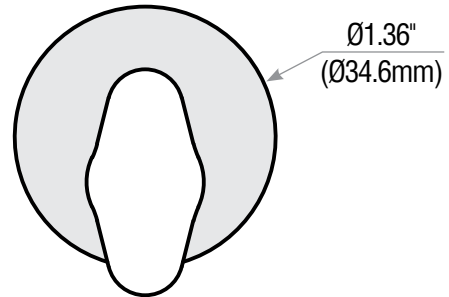
*No key for A62, AST, ASV, G23 and G45 keyways. **Cylinders are 6 pin.

MORTISE T-TURN CYLINDERS

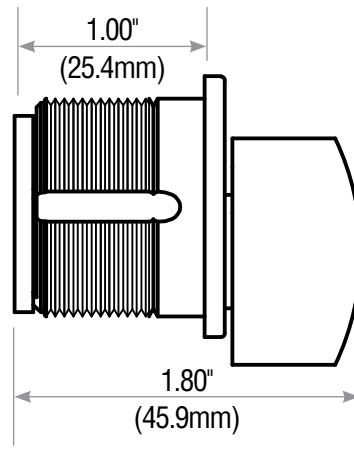
- ▶ Solid brass construction
- ▶ 4 popular lengths
- ▶ 7 popular cams
- ▶ Ergonomic turn knob provides easy turning
- ▶ Available in 8 finishes
- ▶ TA version is for ADA applications



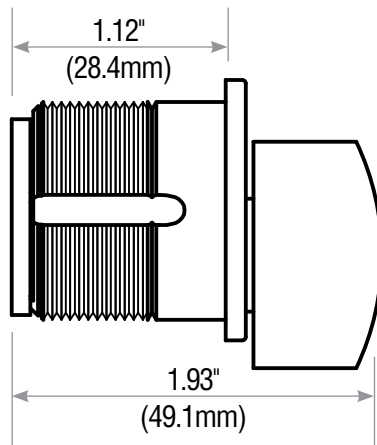
Model #	Type	Length
M156T	Mortise t-turn cylinder	15/16" length
M100T	Mortise t-turn cylinder	1" length
M118T	Mortise t-turn cylinder	1-1/8" length
M114T	Mortise t-turn cylinder	1-1/4" length



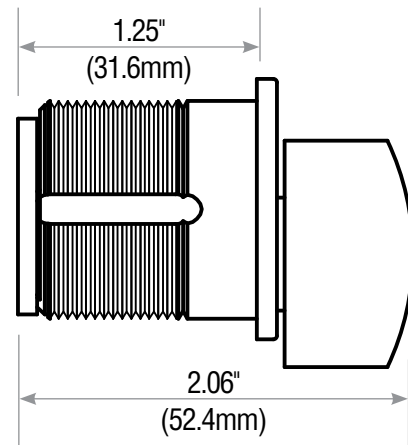
M156T



M100T

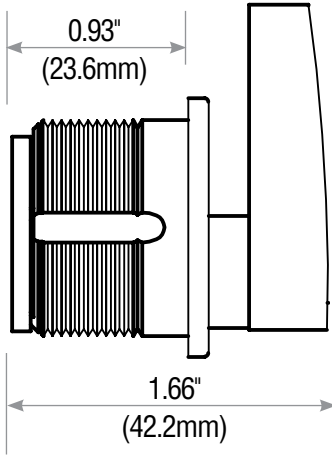
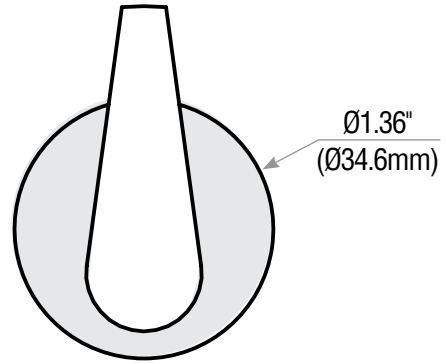


M118T

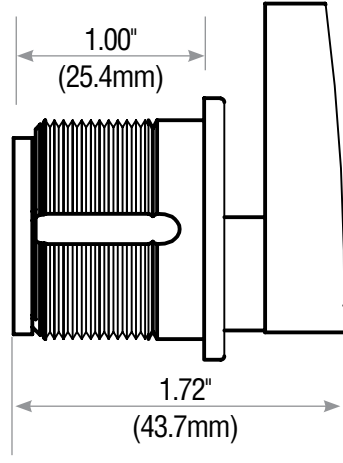


M114T

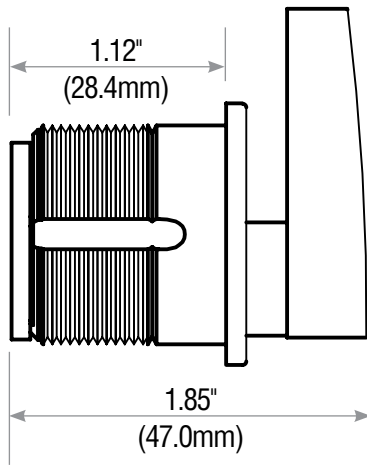
Model #	Type	Length
M156TA	Mortise t-turn cylinder	15/16" length
M100TA	Mortise t-turn cylinder	1" length
M118TA	Mortise t-turn cylinder	1-1/8" length
M114TA	Mortise t-turn cylinder	1-1/4" length



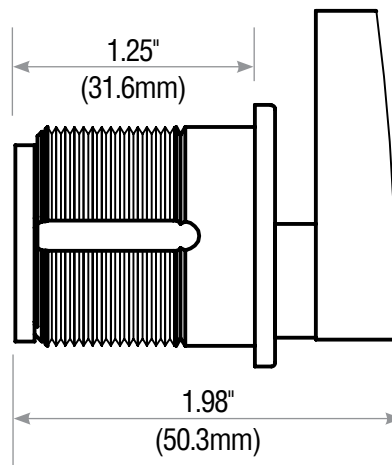
M156TA



M100TA



M118TA

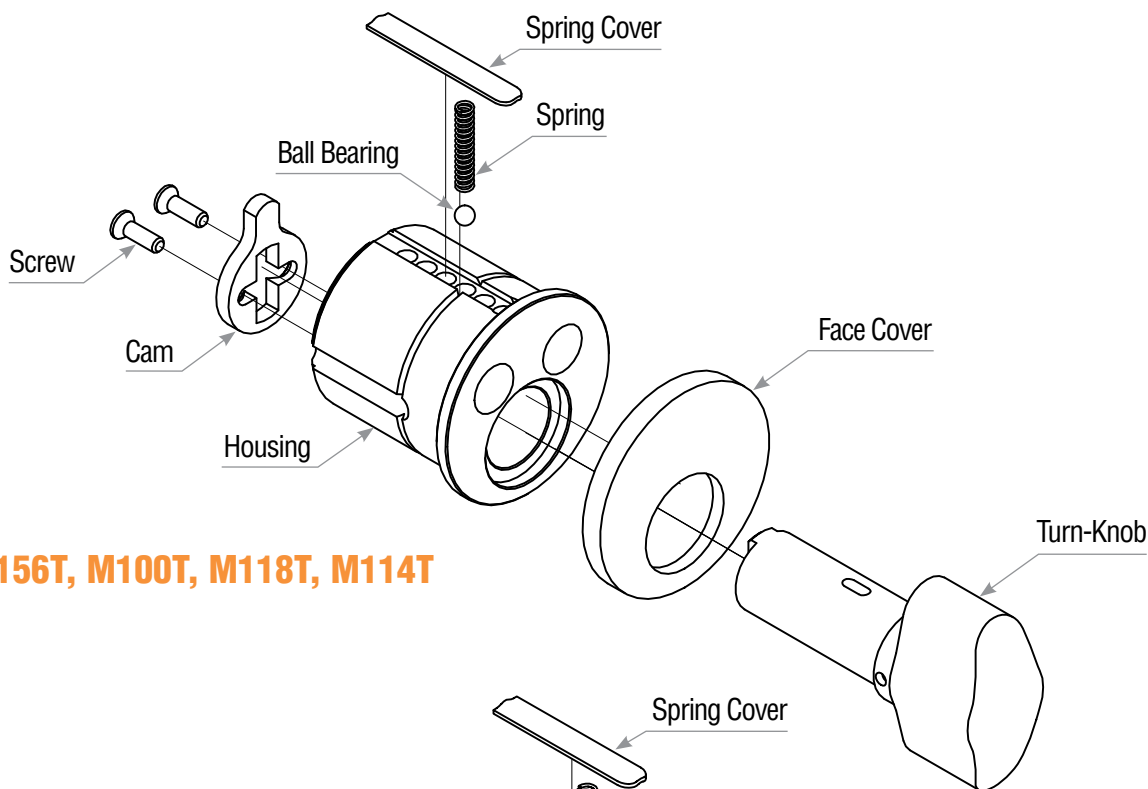


M114TA

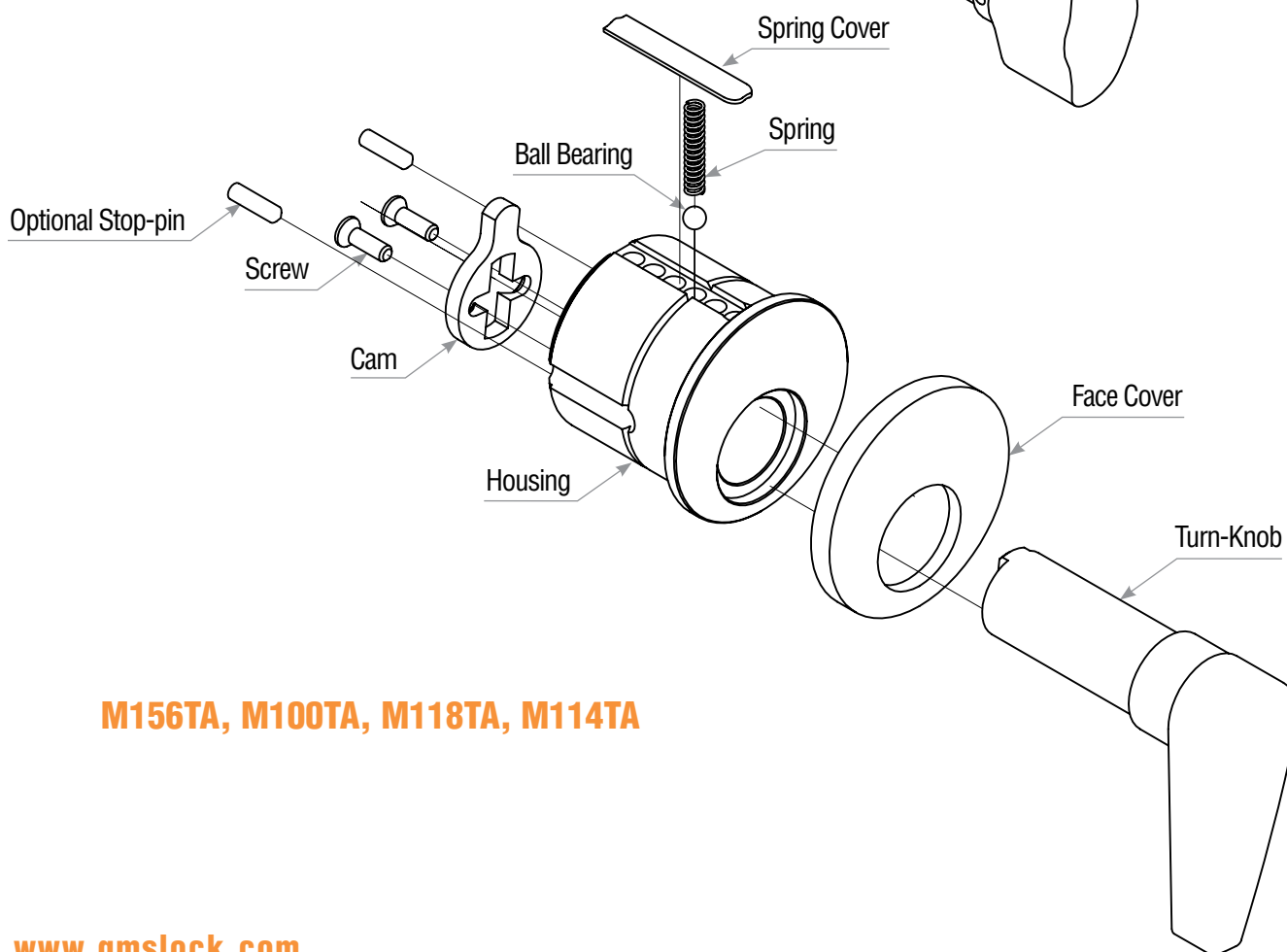


MORTISE T-TURN CYLINDERS

Mortise T-Turn Cylinder Schematic Drawing



M156T, M100T, M118T, M114T

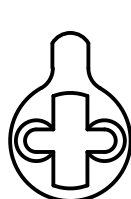


M156TA, M100TA, M118TA, M114TA

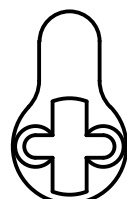
Cams for Mortise and Mortise T-Turn Cylinders

The cams shown below are actual size. All cams are interchangeable on GMS Mortise Cylinders and Mortise T-Turn Cylinders. Locktite is used in combination with the mortise screws to provide exceptional holding of the cam to the cylinder plug. CAM4 is to be used with G23, G45, A62, AST and ASV keyways.

Cam #	Description
CAM1-AR	AdamsRite Cam
CAM1-BE	Best Cam
CAM1-CL	Corbin Cam
CAM1-SA	Sargent Cam
CAM1-SL	Schlage Cam
CAM1-ST	Yale Cam
CAM1-TS	Falcon/Saflok Cam
CAM4-AR	AdamsRite Cam
CAM4-CL	Corbin Cam
CAM4-SA	Sargent Cam
CAM4-SL	Schlage Cam
CAM4-ST	Yale Cam
CAM4-TS	Falcon/Saflok Cam



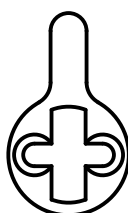
CAM1-AR



CAM1-BE



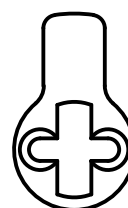
CAM1-CL



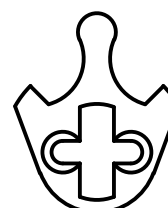
CAM1-SA



CAM1-SL



CAM1-ST



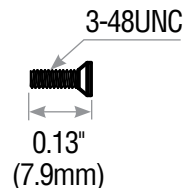
CAM1-TS

Mortise Cylinder Cam Screw

These screws fit all GMS mortise cylinders.



SCR1



How to Order Mortise Dummy and T-Turn Knob Cylinders

	Model #
15/16" Mortise Dummy	M156D
1" Mortise Dummy	M100D
1-1/8" Mortise Dummy	M118D
1-1/4" Mortise Dummy	M114D
15/16" Mortise T-Turn	M156T
1" Mortise T-Turn	M100T
1-1/8" Mortise T-Turn	M118T
1-1/4" Mortise T-Turn	M114T
15/16" Mortise T-Turn	M156TA
1" Mortise T-Turn	M100TA
1-1/8" Mortise T-Turn	M118TA
1-1/4" Mortise T-Turn	M114TA

	Finish
Polished Brass	3
Satin Brass	4
Satin Bronze	10
Satin Nickel	15
Polished Chrome	26
Satin Chrome	26D
Stainless Steel	32D
Oil Rubbed Bronze	10B

	Cam*
Almet	AL
AdamsRite	AR
Best	BE
Corbin	CL
Sargent	SA
Schlage	SL
Yale	ST
Falcon/Saflok	TS

M156T

26D

ST

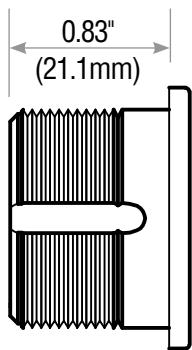
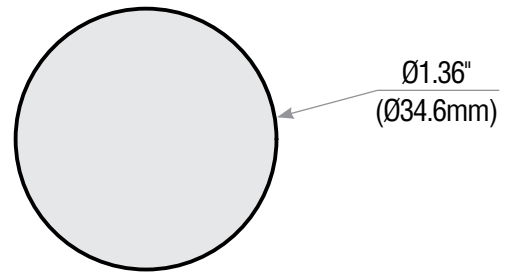
*When ordering dummy cylinders do not order cam.

MORTISE DUMMY CYLINDERS

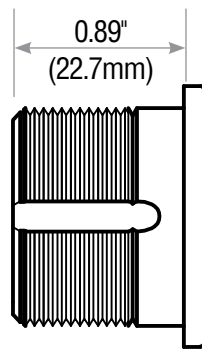
- ▶ Non-hollow solid brass construction
- ▶ 4 popular lengths
- ▶ Exact threads
- ▶ Available in 8 finishes



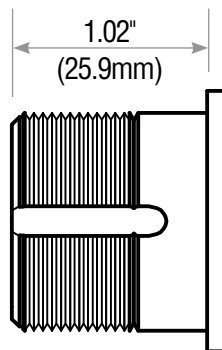
Model #	Type	Length
M156D	Mortise dummy cylinder	15/16" length
M100D	Mortise dummy cylinder	1" length
M118D	Mortise dummy cylinder	1 1/8" length
M114D	Mortise dummy cylinder	1 1/4" length



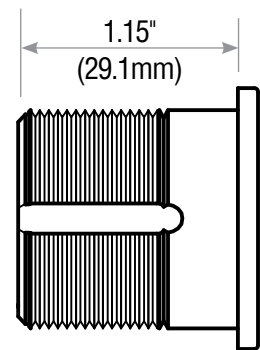
M156D



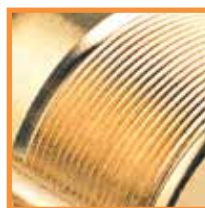
M100D



M118D

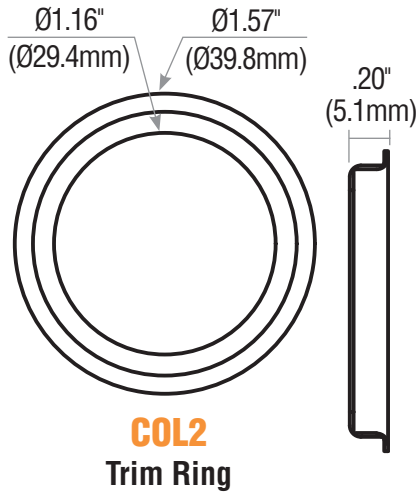
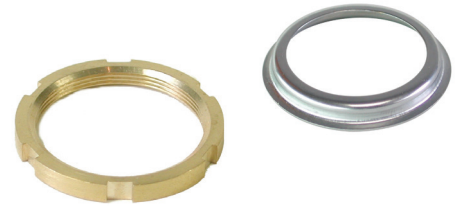


M114D

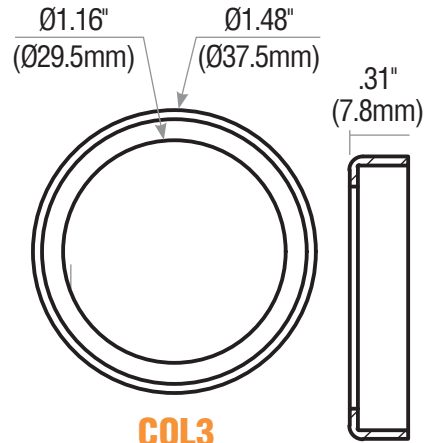


Collars for Mortise Cylinders

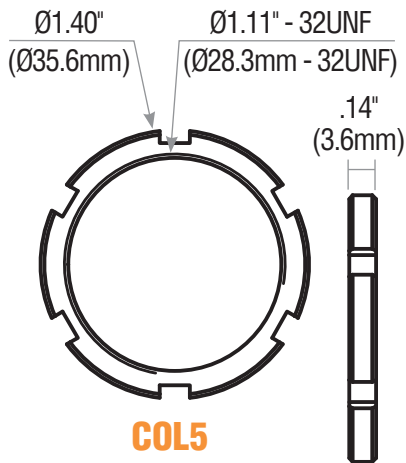
All GMS collars fit standard mortise cylinders and mortise t-turn cylinders. Collars are available in 3,10B and 26D finish only.



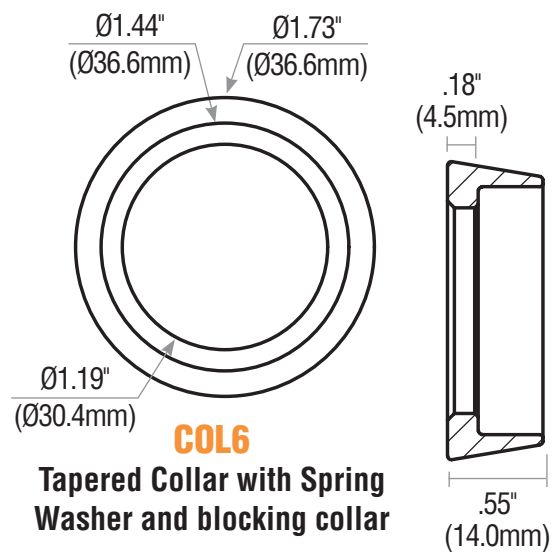
COL2
Trim Ring



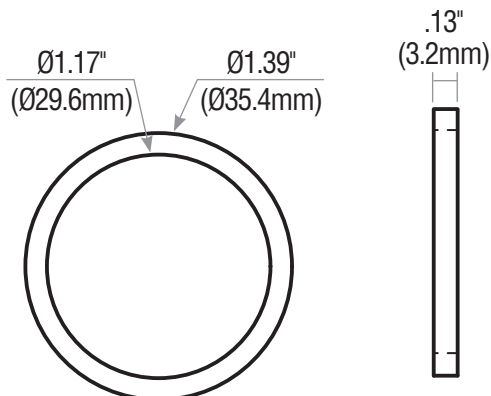
COL3
Mortise Collar with
Spring Washer



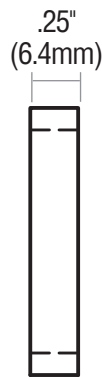
COL5
1/8" Threaded Ring



COL6
Tapered Collar with Spring
Washer and blocking collar



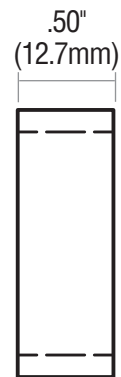
COL10
1/8" Blocking
Collar



COL11
1/4" Blocking
Collar



COL12
3/8" Blocking
Collar



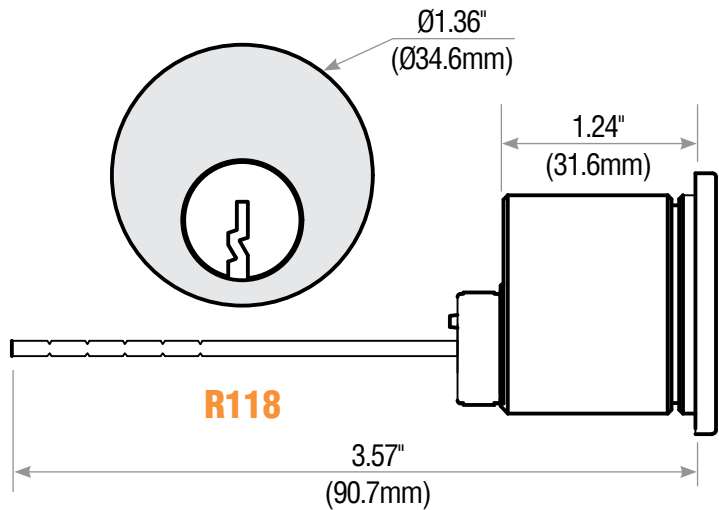
COL13
1/2" Blocking
Collar

RIM CYLINDERS

- ▶ Exact pinning specifications as original systems
- ▶ Solid brass construction
- ▶ 22 keyways
- ▶ Tailpiece converts between horizontal & vertical positions
- ▶ Screw-on retaining cap design



Model #	Type	Length
R118	Rim cylinder	1 1/8" length



How to Order Rim Cylinders

Keyway

Arrow 1179	AW
Assa 62	A62*
Assa Twin 6000	AST*
Assa V10	ASV*
Corbin 60	CB
Corbin L4	CL4
Kwikset 1176	KW
Russwin D1	RD1
Sargent LA	SA
Sargent LA~LD	SAX
Sargent LB	SLB
Sargent RA	RA
Schlage C	SC
Schlage C123	G23*
Schlage C145	G45*
Schlage C~K	SX
Schlage E	SCE
Schlage F	SCF
Segal 9	SE
Weiser E	WR
Yale 8	YA
Yale GA	YGA

Finish

Polished Brass	3
Satin Brass	4
Satin Bronze	10
Satin Nickel	15
Polished Chrome	26
Satin Chrome	26D
Stainless Steel	32D
Oil Rubbed Bronze	10B

Keying

Keyed alike	A2
in pairs	A2-6**
Zero	OB
bitted	OB-6**
Keyed	KD
different	KD-6**
Special	KS
keying	KS-6**

1-1/8" Rim **Model #**
R118

R118

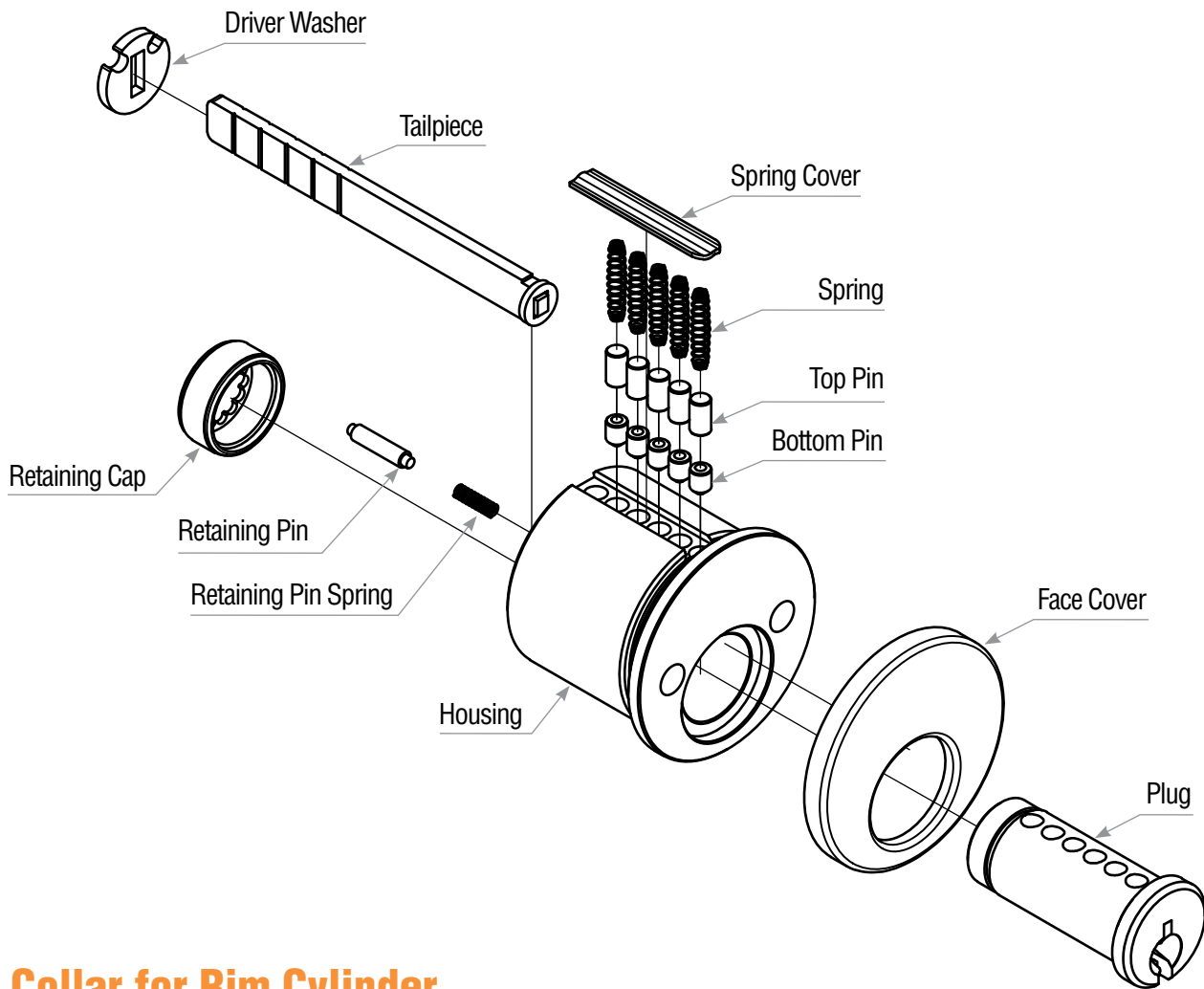
WR

26D

A2

*No key for A62, AST, ASV, G23 and G45 keyways. **Cylinders are 6 pin.

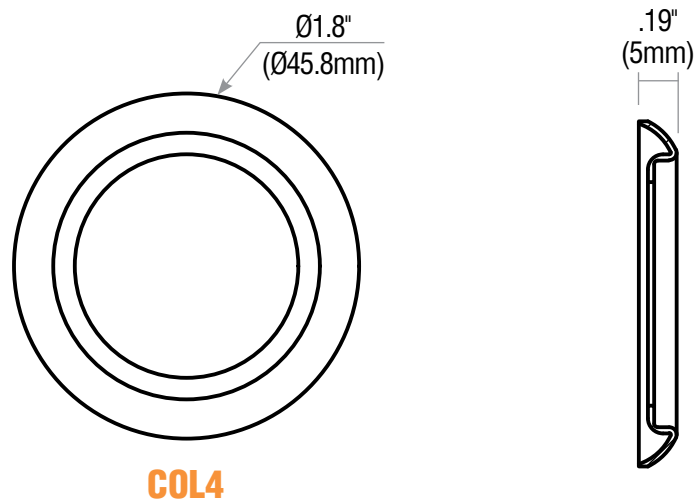
Rim Cylinder Schematic Drawing



Collar for Rim Cylinder

Attractive collar finishes off any application.

Comes in polished brass (3), satin chrome (26D) and oil rubbed bronze (10B) finishes.

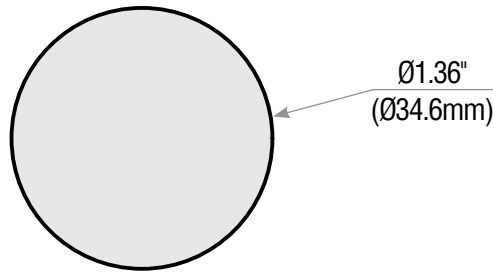


RIM DUMMY CYLINDERS

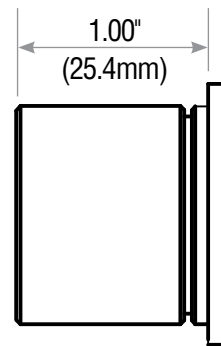
- ▶ Non-hollow solid brass housing
- ▶ Furnished with collar, mounting plate & screws



Model #	Type	Length
R118D	Rim dummy cylinder	1 1/8" length



R118D

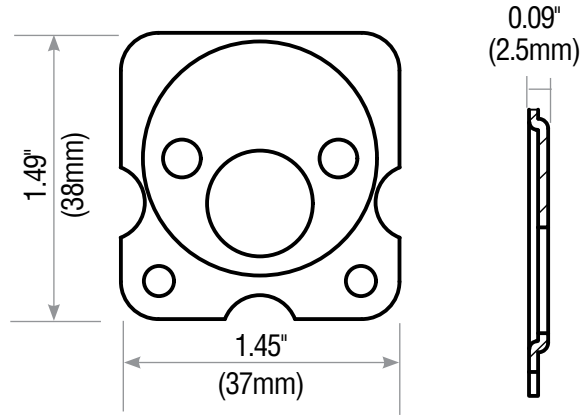


How to Order Rim Dummy Cylinders

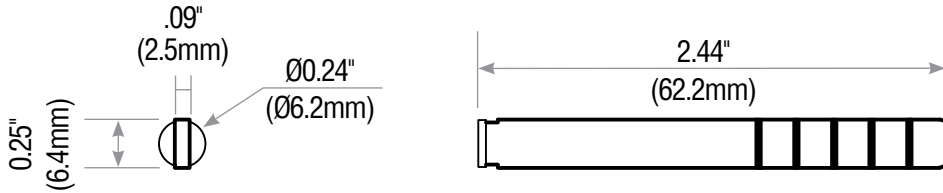
		Finish
		Polished Brass 3
		Satin Brass 4
		Satin Bronze 10
		Satin Nickel 15
		Polished Chrome 26
		Satin Chrome 26D
		Stainless Steel 32D
		Oil Rubbed Bronze 10B
1-1/8" Rim Dummy	Model # R118D	
	R118D	26D

Rim Cylinder Accessories

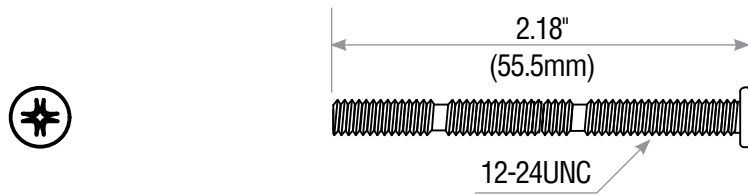
MPT-1
Mounting Plate



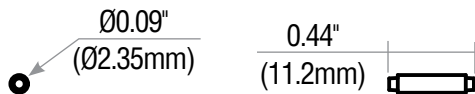
TLP-04
Standard Breakoff
Tailpiece



SCR-2
Standard Breakoff
Retaining Screws



CAP-60
Retaining Cap



RPIN-01
Retaining Pin



SPR-6
Retaining Pin Spring

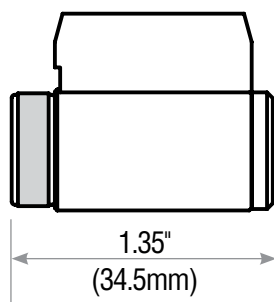
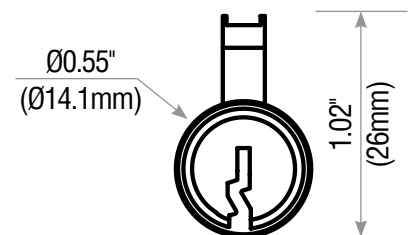
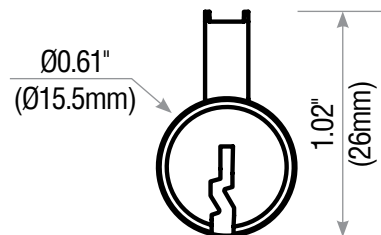
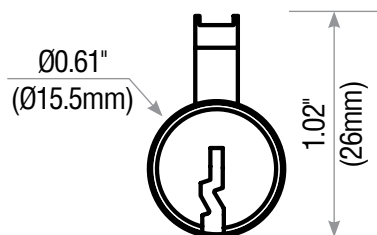
KNOB/LEVER CYLINDERS

- ▶ Exact pinning specifications as original systems
- ▶ Solid brass construction
- ▶ 22 keyways
- ▶ Available in 2 finishes
- ▶ Supplied with multiple tailpieces
- ▶ Screw-on retaining cap design (except K002)

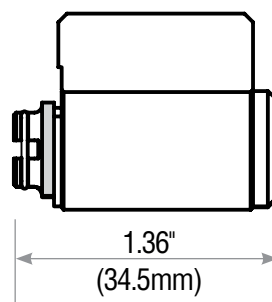


Model #	Type	Fits	Tailpieces
K001	Knob/Lever cylinder	Schlage knobs, levers, deadbolts and Yale levers*	5 tailpieces
K002	Knob/Lever cylinder	Fits Arrow knobs and levers	3 tailpieces
K003	Knob/Lever cylinder	Fits Sargent levers	3 tailpieces

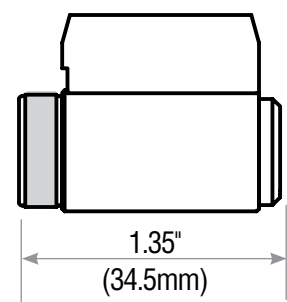
* Converts to fit Yale levers with KIT-K001YA (page 17).



K001



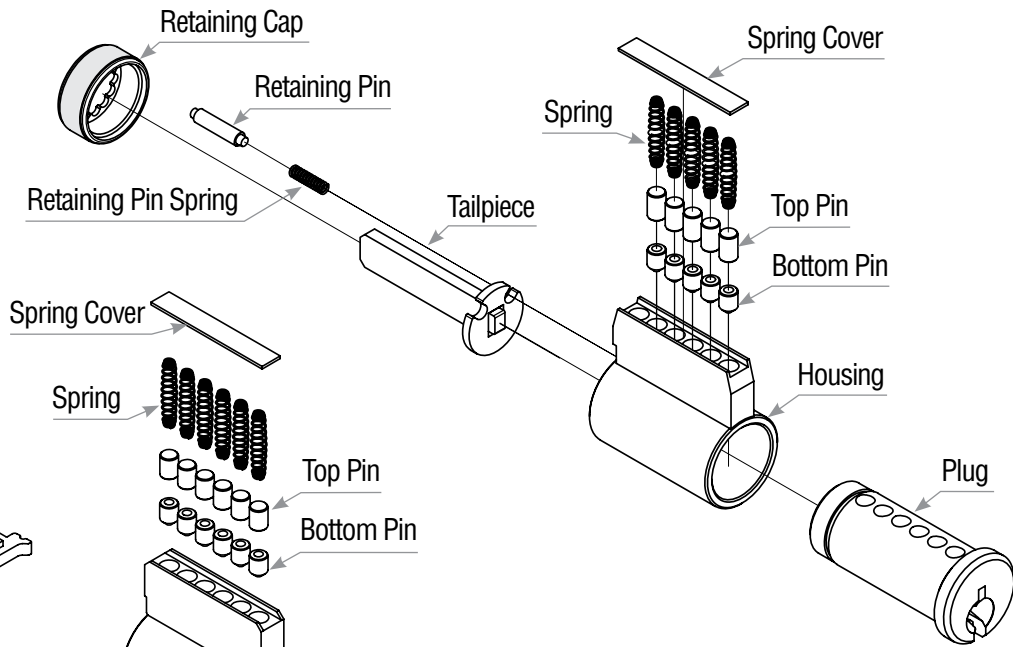
K002



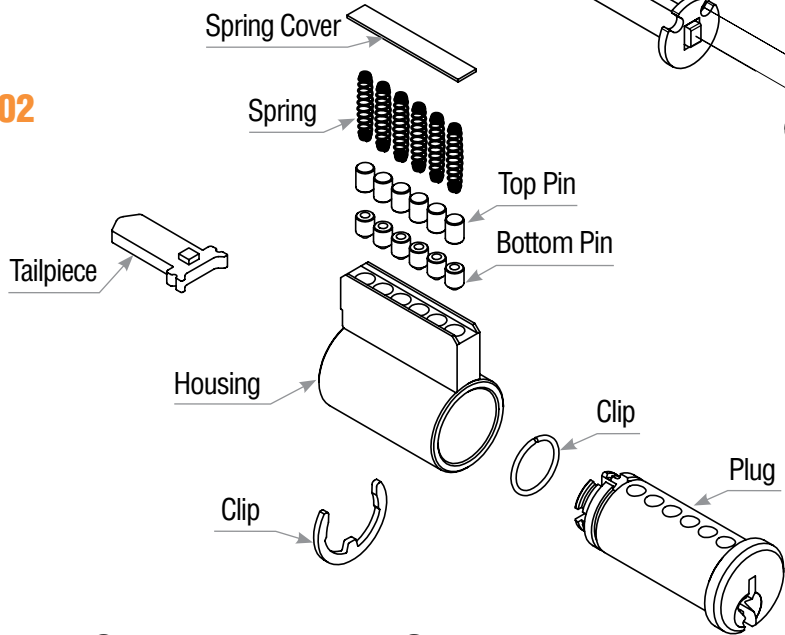
K003

Knob/Lever Cylinder Schematic Drawing

K001 & K003



K002



How to Order Knob/Lever Cylinders

		Keyway				Keying	
		Arrow 1179	AW			Keyed alike	A2
		Assa 62	A62*			in pairs	A2-6**
		Assa Twin 6000	AST*			Zero	OB
		Assa V10	ASV*			bitted	OB-6**
		Corbin 60	CB			Keyed	KD
		Corbin L4	CL4			different	KD-6**
		Kwikset 1176	KW			Special	KS
		Ruswin D1	RD1			keying	KS-6**
		Sargent LA	SA				
		Sargent LA~LD	SAX				
		Sargent LB	SLB				
		Sargent RA	RA				
		Schlage C	SC				
		Schlage C123	G23*				
		Schlage C145	G45*				
		Schlage C~K	SX				
		Schlage E	SCE				
		Schlage F	SCF				
		Segal 9	SE				
		Weiser E	WR				
		Yale 8	YA				
		Yale GA	YGA				
Model #				Finish			
K001				Satin Brass	4		
K002				Satin Chrome	26D		
K003							
K001	WR				26D		A2

*No key for A62, AST, ASV, G23 and G45 keyways. **Cylinders are 6 pin.

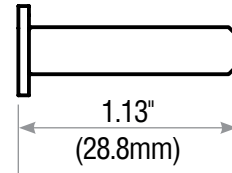
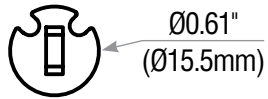
KNOB/LEVER CYLINDERS



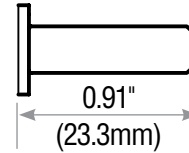
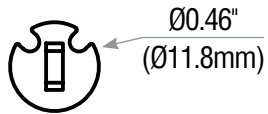
Tailpieces

GMS manufactures multiple tailpieces to accommodate different applications. All tailpieces are plated hardened steel for durability.

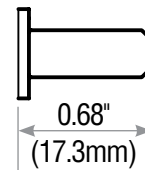
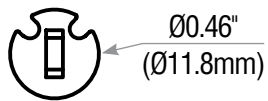
TLP-01
Tailpiece



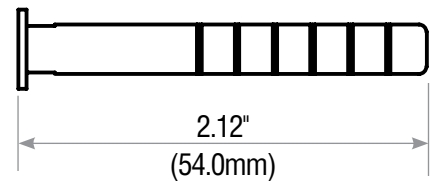
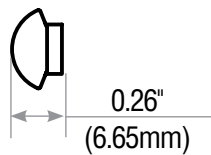
TLP-02
Tailpiece



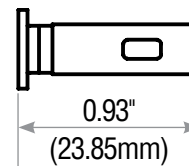
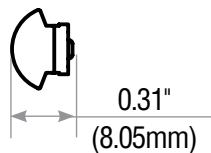
TLP-03
Tailpiece



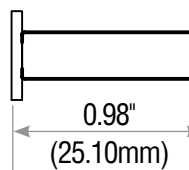
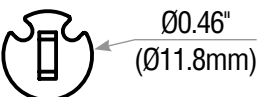
TLP-05
Breakoff
Tailpiece



TLP-06
Tailpiece



TLP-08
Tailpiece

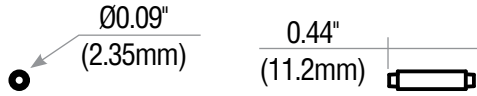


Knob/Lever Cylinder Accessories

TLP-WA
Washer



CAP-60
Retaining Cap

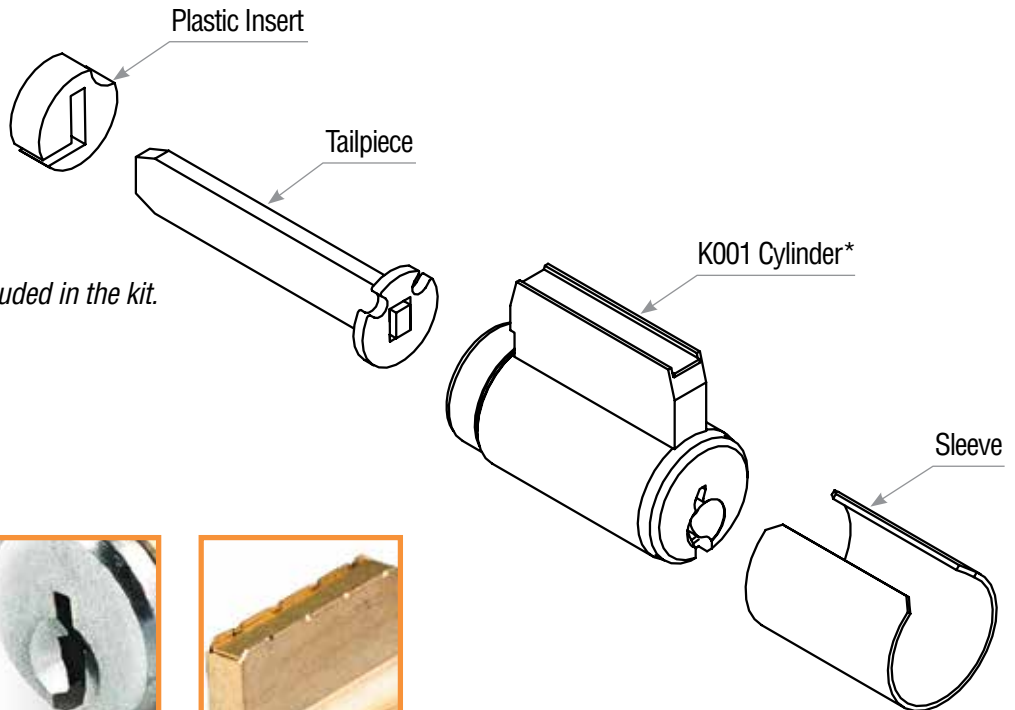


RPIN-01
Retaining Pin



SPR-06
Retaining Pin Spring

KIT-K001YA
Yale Conversion Kit



*K001 Cylinder is not included in the kit.

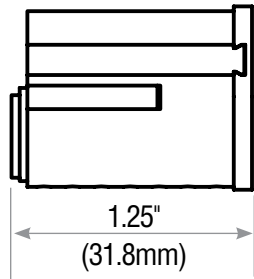
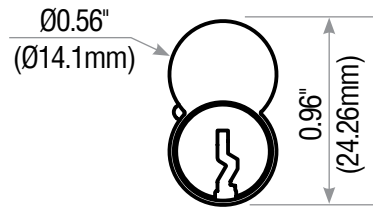


SMALL FORMAT IC CORE

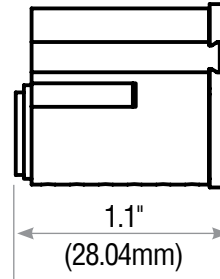
- ▶ Compatible with housings from Arrow, Best, Falcon and KSP
- ▶ Available in 6 or 7 pin lengths
- ▶ Cores are available combined and un-combinated (Additional lead time and cost for combined cores.)
- ▶ 27 keyways
- ▶ Available in 5 finishes



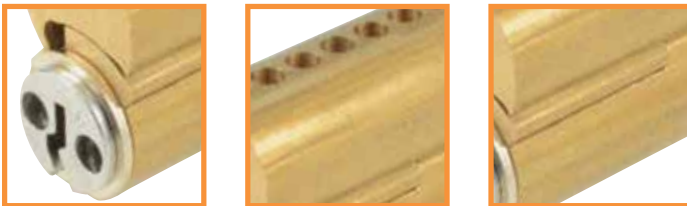
Model #	Type
IC	Small format interchangeable core



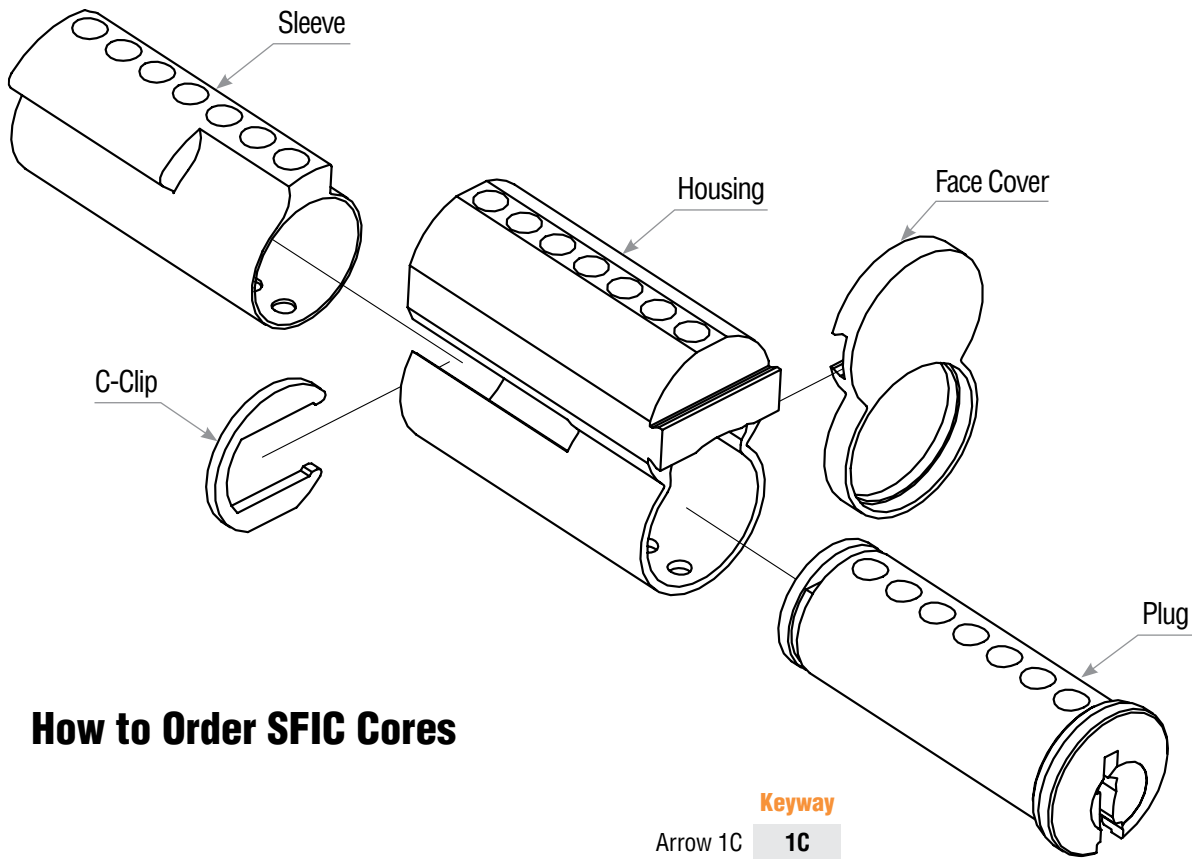
IC7



IC6



SFIC Core Schematic Drawing



How to Order SFIC Cores

Keyway

- Arrow 1C **1C**
- Arrow 1D **1D**
- Best A **A**
- Best B **B**
- Best C **C**
- Best D **D**
- Best E **E**
- Best F **F**
- Best G **G**
- Best H **H**
- Best J **J**
- Best K **K**
- Best L **L**
- Best M **M**
- Best Q **Q**
- Best R **R**
- Best DD **DD**
- Best TB **TB**
- Best TC **TC**
- Best TD **TD**
- Best TE **TE**
- Best WA **WA**
- Best WB **WB**
- Best WC **WC**
- Best WD **WD**
- Best WG **WG**
- Best WH **WH**

Finish

- Polished Brass **3**
- Satin Brass **4**
- Polished Chrome **26**
- Satin Chrome **26D**
- Oil Rubbed Bronze **10B**

Model

IC

Length

6-pin length **6**
7-pin length **7**

IC

6

H

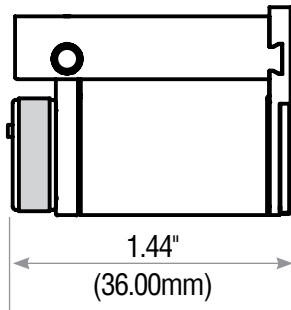
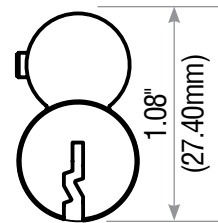
3

LARGE FORMAT IC CORE

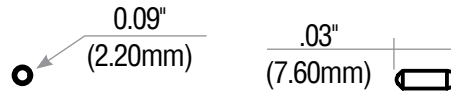
- ▶ Solid brass construction
- ▶ Replaces Schlage large format IC core
- ▶ Available in 6-pin only
- ▶ Two finishes: satin chrome and satin brass
- ▶ 6 popular keyways



Model #	Type
LFIC	Large format interchangeable core



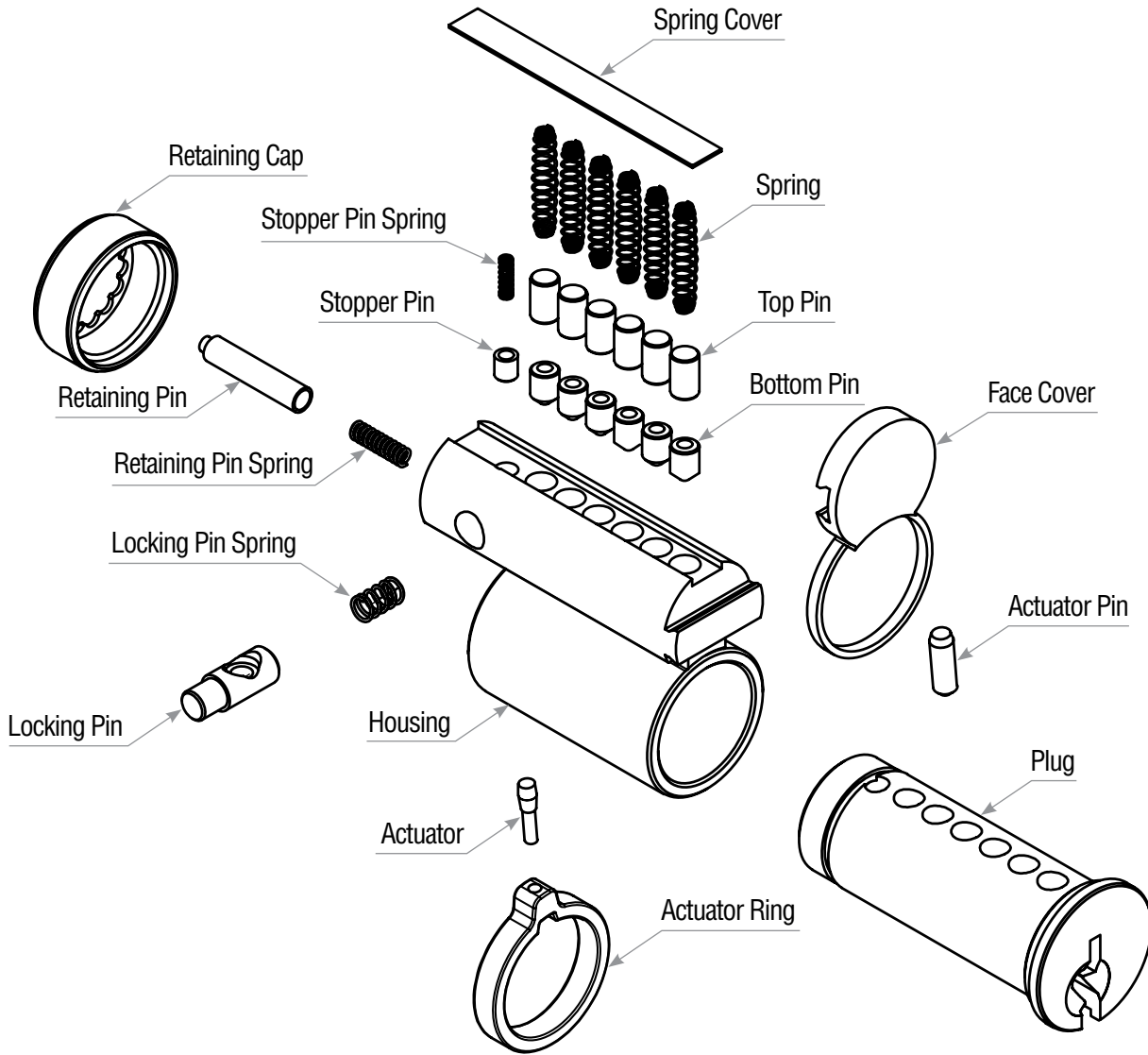
LFIC CORE



RPIN-02
Retaining Pin



LFIC Core Schematic Drawing



How to Order LFIC Cores

Model #	Keyway	Finish	Keying
LFIC	Schlage C SC Schlage E SCE Schlage F SCF Schlage 123 G23* Schlage 145 G45* Schlage C-K SX	Satin Brass 4 Satin Chrome 26D	Zero-Bitted OB Special Keying KS
LFIC	SC	4	OB

*No key for G23 and G45 keyways.

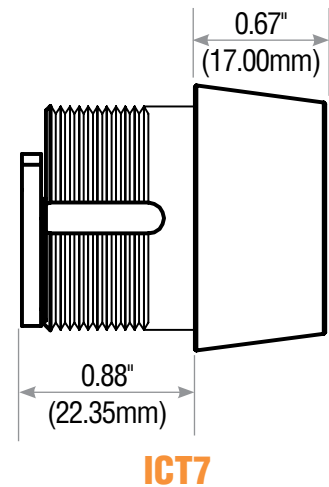
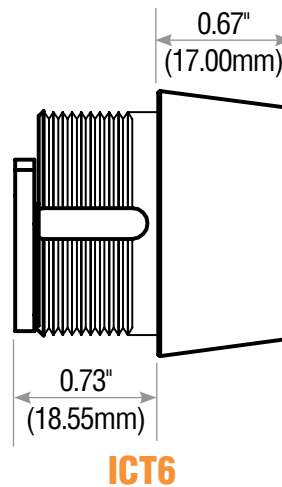
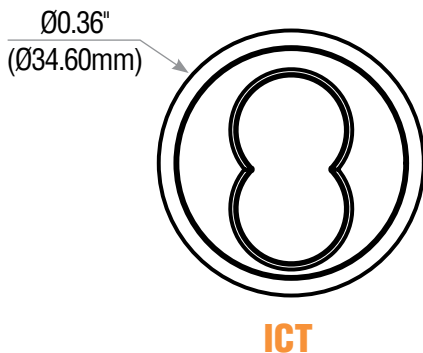
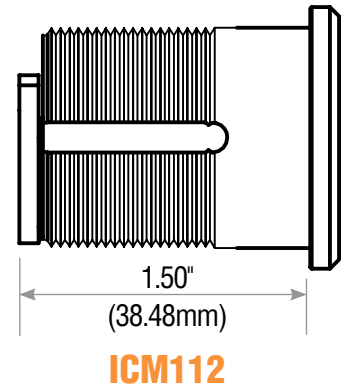
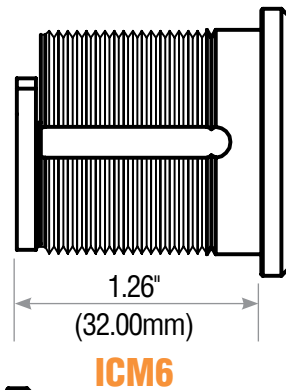
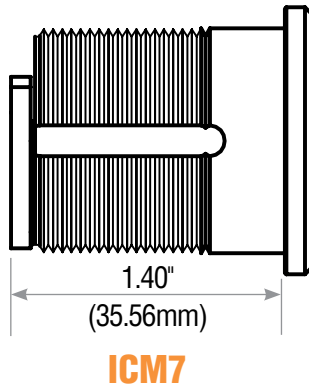
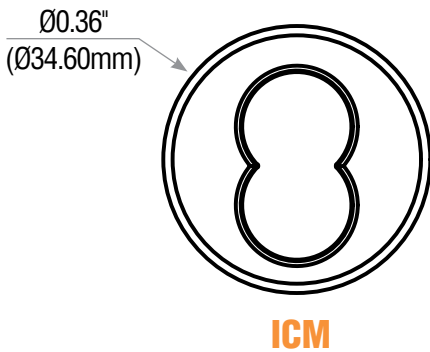
SMALL FORMAT MORTISE IC HOUSING

- ▶ Compatible with cores from Arrow, Best, Falcon and KSP
- ▶ Interchangeable cams provide flexibility
- ▶ Solid brass construction
- ▶ 7 popular cams available

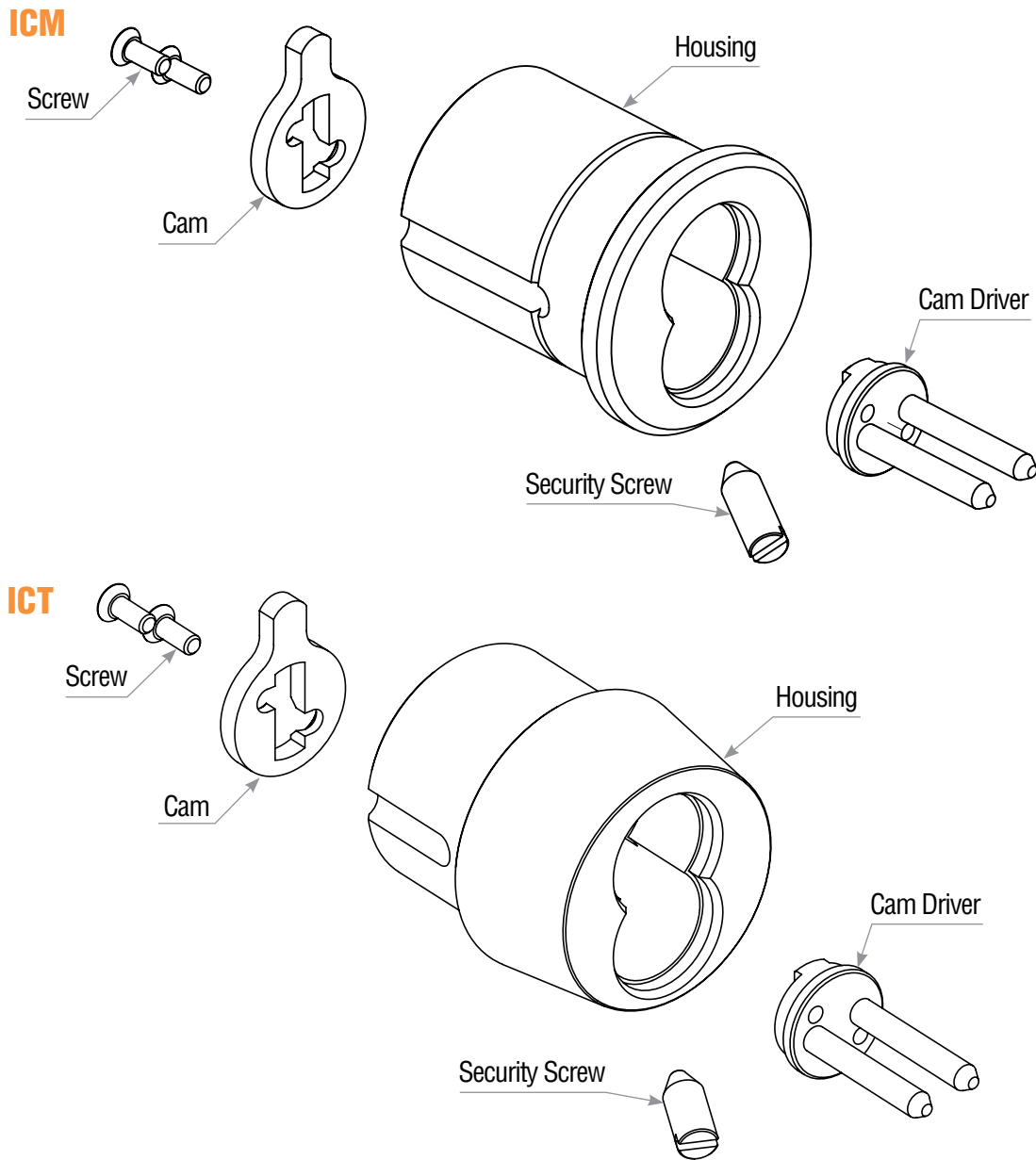


Model #	Type
ICM	IC Mortise Housing, Straight
ICT	IC Mortise Housing, Tapered

See page 27 for cams.



Small Format Mortise IC Housing Schematic Drawings



How to Order SFIC Mortise Housings

	Model #	Length	Finish	Cam
Best IC Mortise Housing, Straight	ICM	6-pin length	Polished Brass 3	Almet AL
Best IC Mortise Housing, Tapered	ICT	7-pin length	Satin Brass 4	AdamsRite AR
			Satin Bronze 10	Corbin CL
			Satin Nickel 15	Best BE
			Polished Chrome 26	Sargent SA
			Satin Chrome 26D	Schlage SL
			Oil Rubbed Bronze 10B	Yale ST
				Falcon/Saflok TS
	ICM	6	26D	AR

LARGE FORMAT MORTISE IC HOUSING

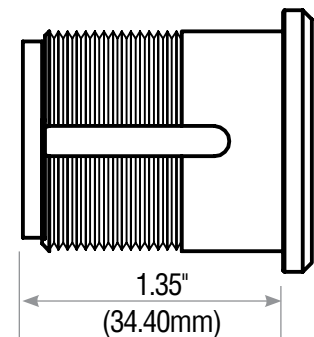
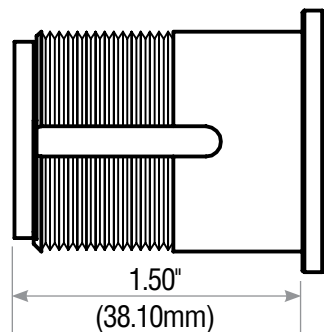
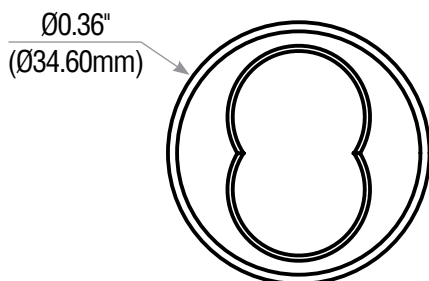
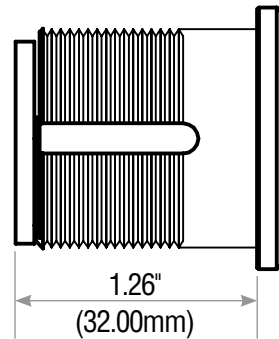
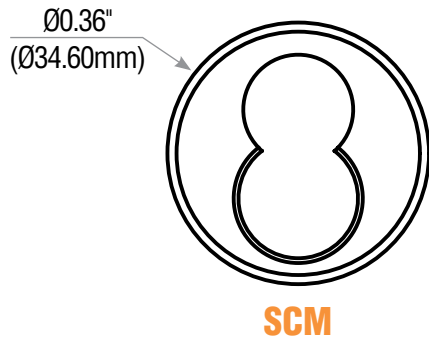
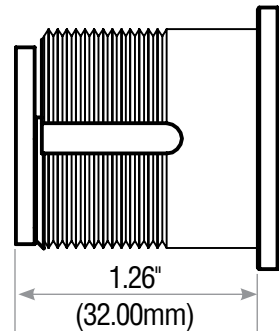
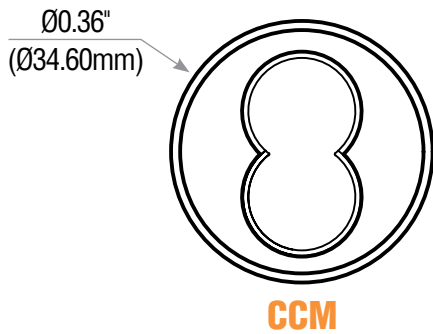
- ▶ Compatible with original large format IC cores
- ▶ Interchangeable cams
- ▶ Solid brass construction
- ▶ 7 popular cams available



Model #	Type
CCM	LF Corbin IC Mortise Housing, Straight
SCM	LF Sargent IC Mortise Housing, Straight
ICS	LF Schlage IC Mortise Housing, Straight
YCM	LF Yale IC Mortise Housing, Straight
MCM	LF Medeco IC Mortise Housing, Straight

See page 28 for ICS specifications.

See page 29 for cams.

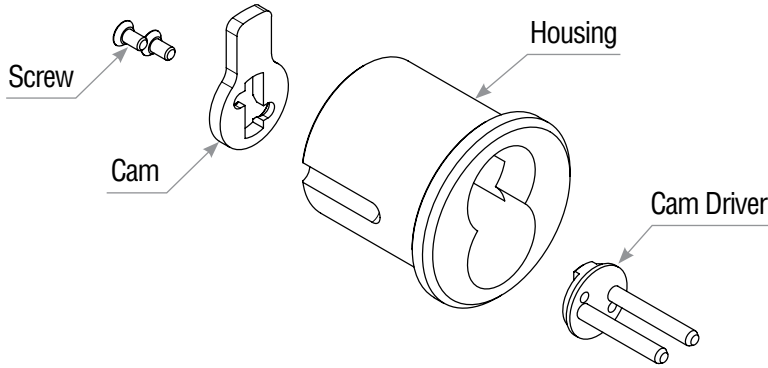


YCM

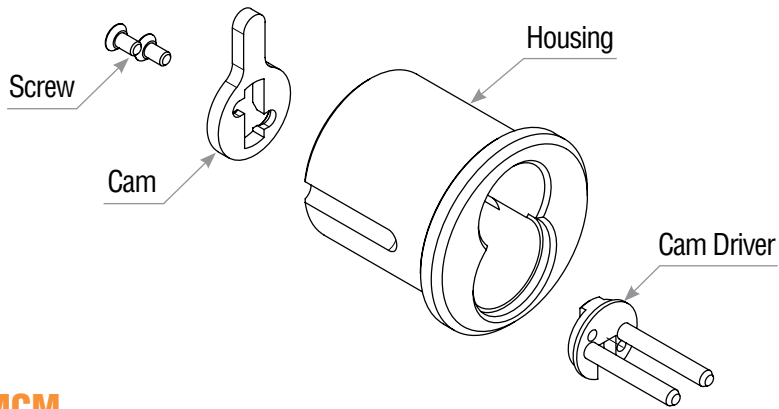
MCM

LFIC Mortise Housing Schematic Drawings

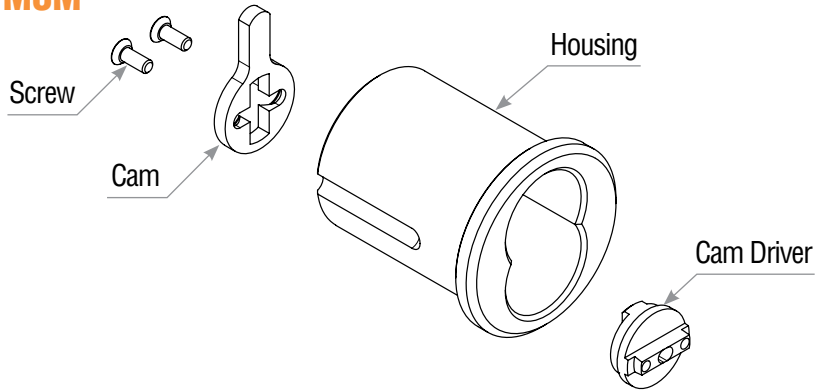
CCM



SCM



YCM & MCM



Conversion Kits

Mounting Plate, Collar and Screws to convert from mortise to rim.

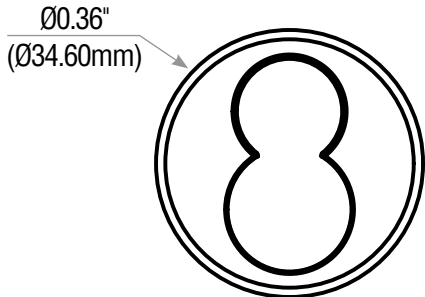
- KIT-CCXR Conversion Kit for CCM**
- KIT-ICXR Conversion Kit for ICXM**
- KIT-MCXR Conversion Kit for MCM**
- KIT-SCXR Conversion Kit for SCM**
- KIT-YCXR Conversion kit for YCM**

How to Order LFIC Mortise Housings

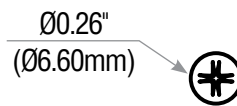
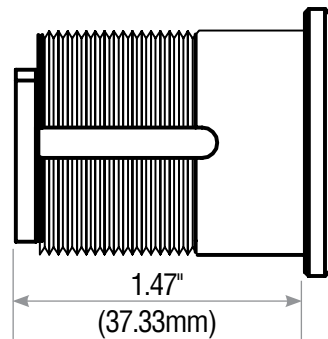
	Model #	Finish	Cam
LF Corbin IC Mortise Housing, Straight	CCM	Polished Brass 3	AdamsRite AR
LF Sargent IC Mortise Housing, Straight	SCM	Satin Brass 4	Corbin CL
LF Yale IC Mortise Housing, Straight	YCM	Satin Bronze 10	Best BE
LF Medeco IC Mortise Housing, Straight	MCM	Satin Nickel 15	Sargent SA
		Polished Chrome 26	Schlage SL
		Satin Chrome 26D	Yale ST
		Oil Rubbed Bronze 10B	Falcon/Saflok TS
	CCM	3	AL

See next page for ICS order information.

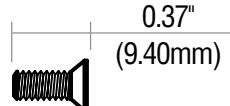
LARGE FORMAT MORTISE IC HOUSING



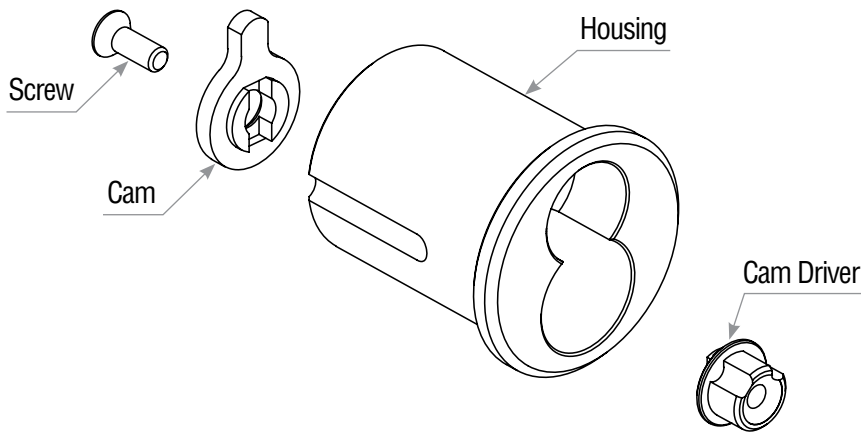
ICS



SCR-5



ICS Mortise Housing Schematic Drawing



How to Order ICS Large Format Mortise Housings

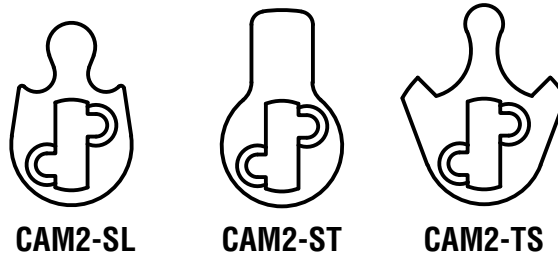
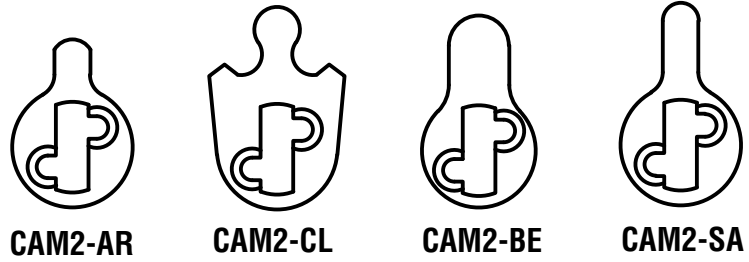
	Model #	Finish	Cam
LF Schlage IC Mortise Housing	ICS	Polished Brass 3	AdamsRite AR
		Satin Brass 4	Corbin CL
		Satin Bronze 10	Sargent SA
		Satin Nickel 15	Schlage SL
		Polished Chrome 26	Yale ST
		Satin Chrome 26D	
		Oil Rubbed Bronze 10B	

ICS 3 AR

Cams for SFIC & LFIC Mortise Housings (except for ICS and YCM)

The cams shown below are actual size.

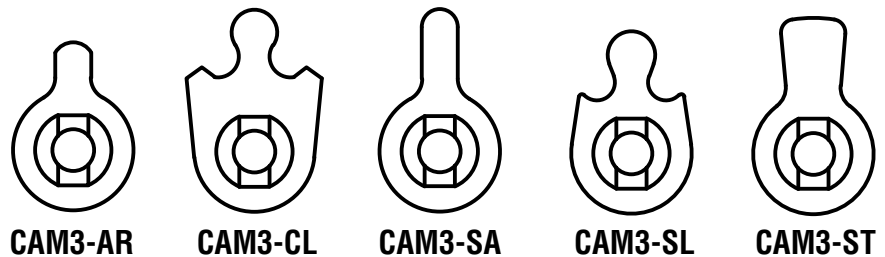
Cam #	Description
CAM2-AR	AdamsRite Cam
CAM2-CL	Corbin Cam
CAM2-BE	Best Cam
CAM2-SA	Sargent Cam
CAM2-SL	Schlage Cam
CAM2-ST	Yale Cam
CAM2-TS	Falcon/Saflok Cam



Cams for ICS Large Format IC Housings

The cams shown below are actual size.

Cam #	Description
CAM3-AR	AdamsRite Cam
CAM3-CL	Corbin Cam
CAM3-SA	Sargent Cam
CAM3-SL	Schlage Cam
CAM3-ST	Yale Cam



YCM mortise housing uses Cam1, see page 7.

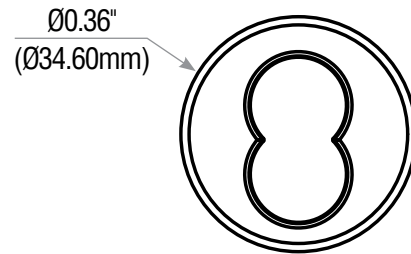


SMALL & LARGE FORMAT RIM IC HOUSING

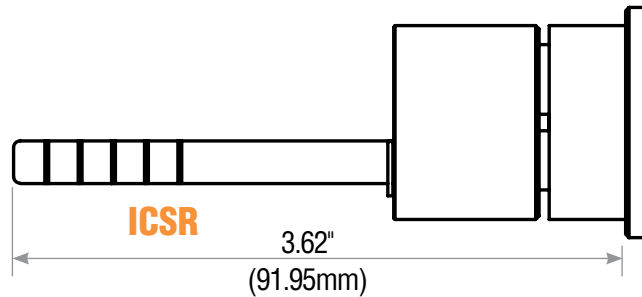
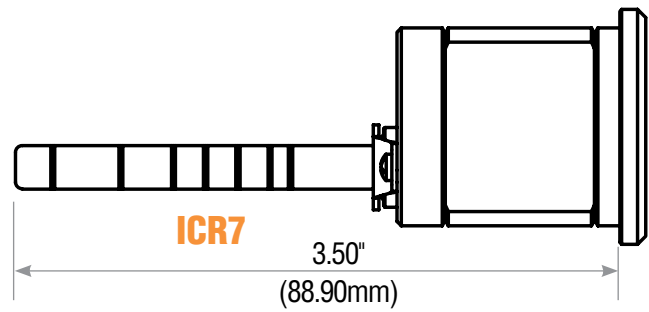
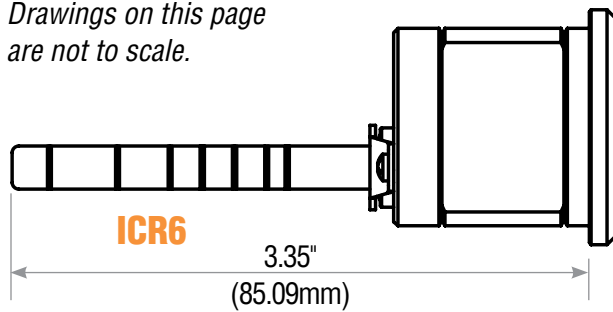
- ▶ ICR and ICXM is compatible with cores from Arrow, Best, Falcon and KSP
- ▶ ICSR is compatible with Schlage large format IC cores
- ▶ Furnished with collar, mounting plate & screws
- ▶ Tailpiece converts between horizontal & vertical positions
- ▶ Solid brass construction



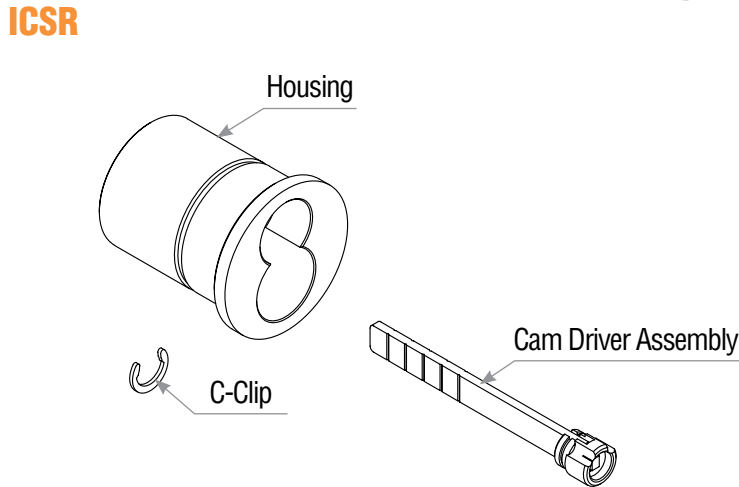
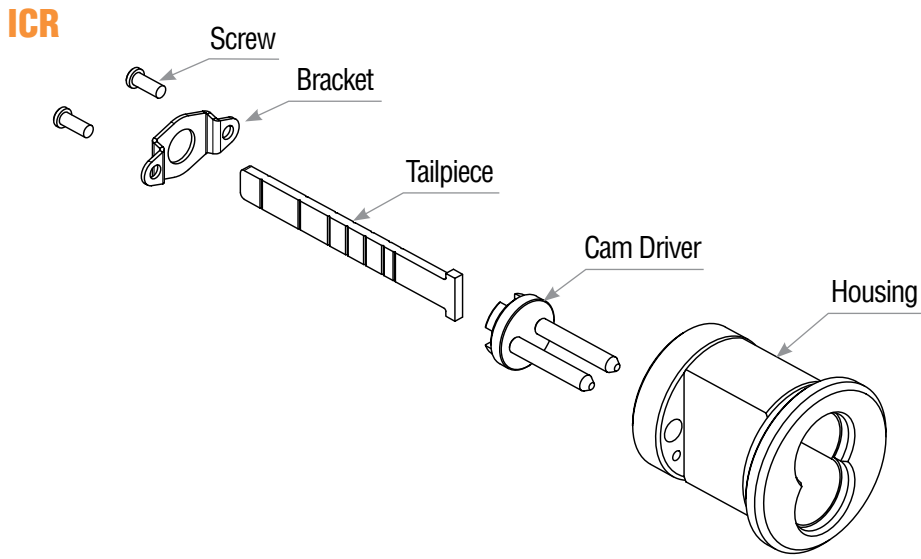
Model #	Type
ICR	Best Small IC Rim Housing
ICSR	Schlage Large Rim Housing



Drawings on this page are not to scale.



Rim IC Housing Schematic Drawings



How to Order Rim IC Housings

	Model #	Length*	Finish
Best Small IC Rim Housing	ICR	6-pin length 6	Polished Brass 3
Schlage Large Rim Housing	ICSR	7-pin length 7	Satin Brass 4
			Satin Bronze 10
			Satin Nickel 15
			Polished Chrome 26
			Satin Chrome 26D
			Oil Rubbed Bronze 10B
	ICR	6	3

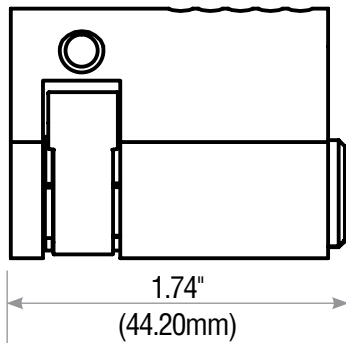
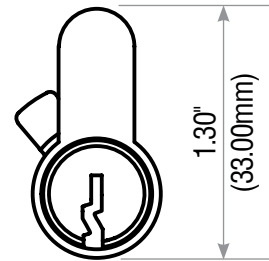
*Do not include when ordering ICSR.

PROFILE CYLINDER

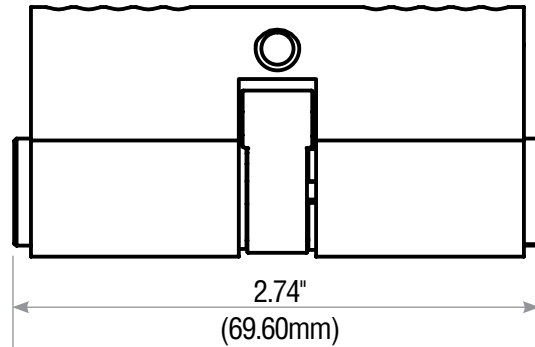
- ▶ Solid brass construction
- ▶ Removable pin chamber set-screws for easy rekeying
- ▶ 3 configurations available
- ▶ Drilled 5, pinned 5



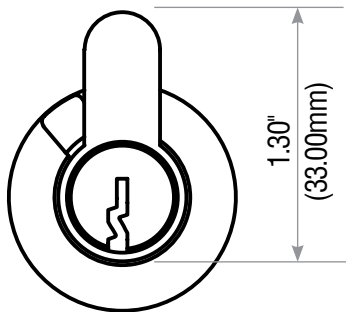
Model #	Type
PR10	Single Profile Cylinder
PR11	Double Profile Cylinder
PR12	Double Profile Cylinder with Thumb Turn



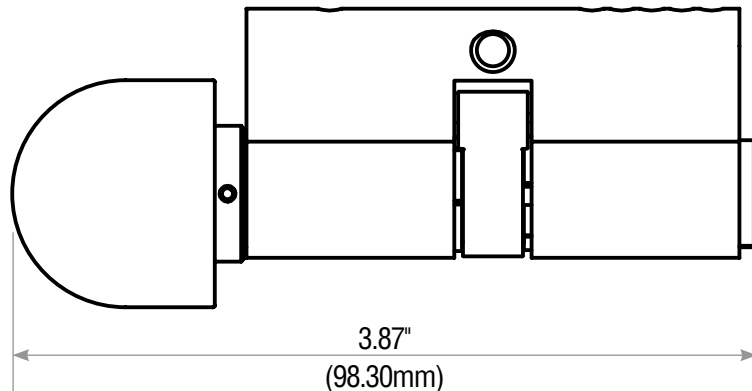
PR10



PR11

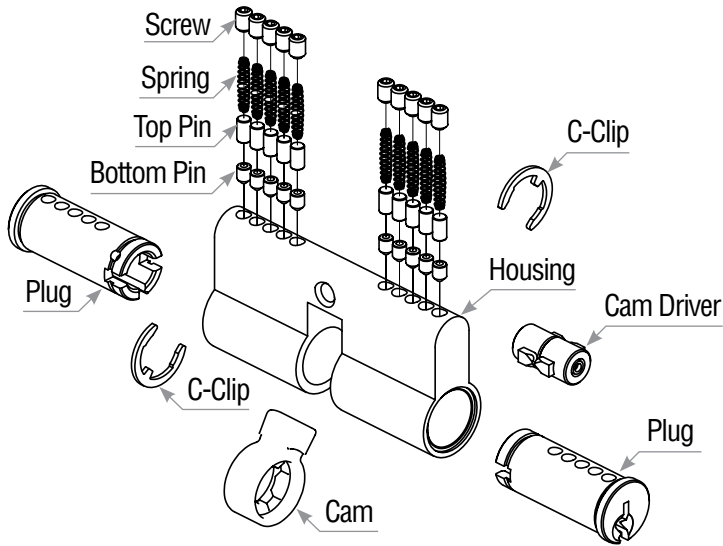


PR12

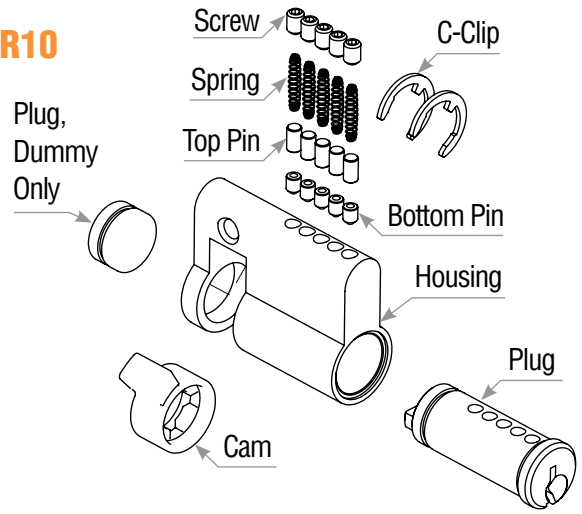


Profile Cylinder Schematic Drawing

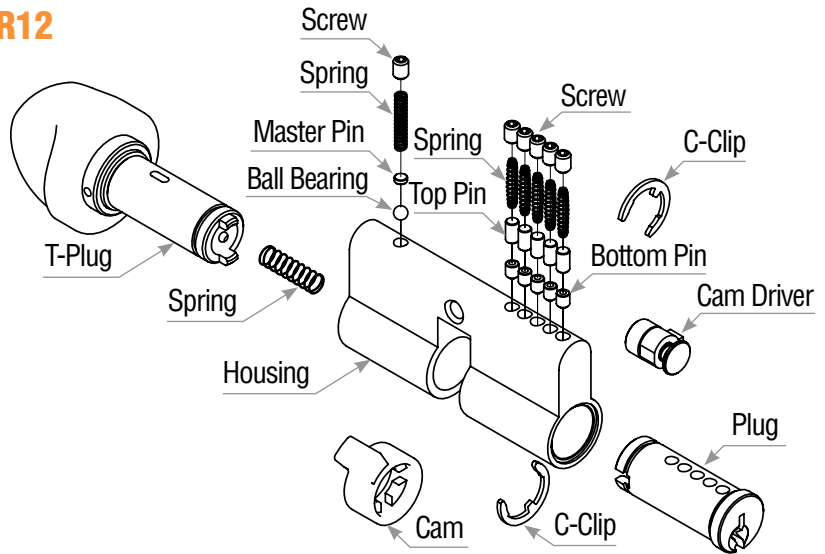
PR11



PR10



PR12



How to Order Profile Cylinders

Model #

- PR10
- PR11
- PR12

PR11

Keyway

- Arrow 1176
- Corbin 60
- Kwikset 1179
- Schlage C
- Weiser E
- Yale 8

- AW
- CB
- KW
- SC
- WR
- YA

AW

Finish

- Satin Brass
- Satin Chrome

- 4
- 26D

4

Keying

- Keyed alike in pairs
- Zero bitted
- Keyed different
- Special keying

- A2
- OB
- KD
- KS

A2

STANDARD PADLOCK

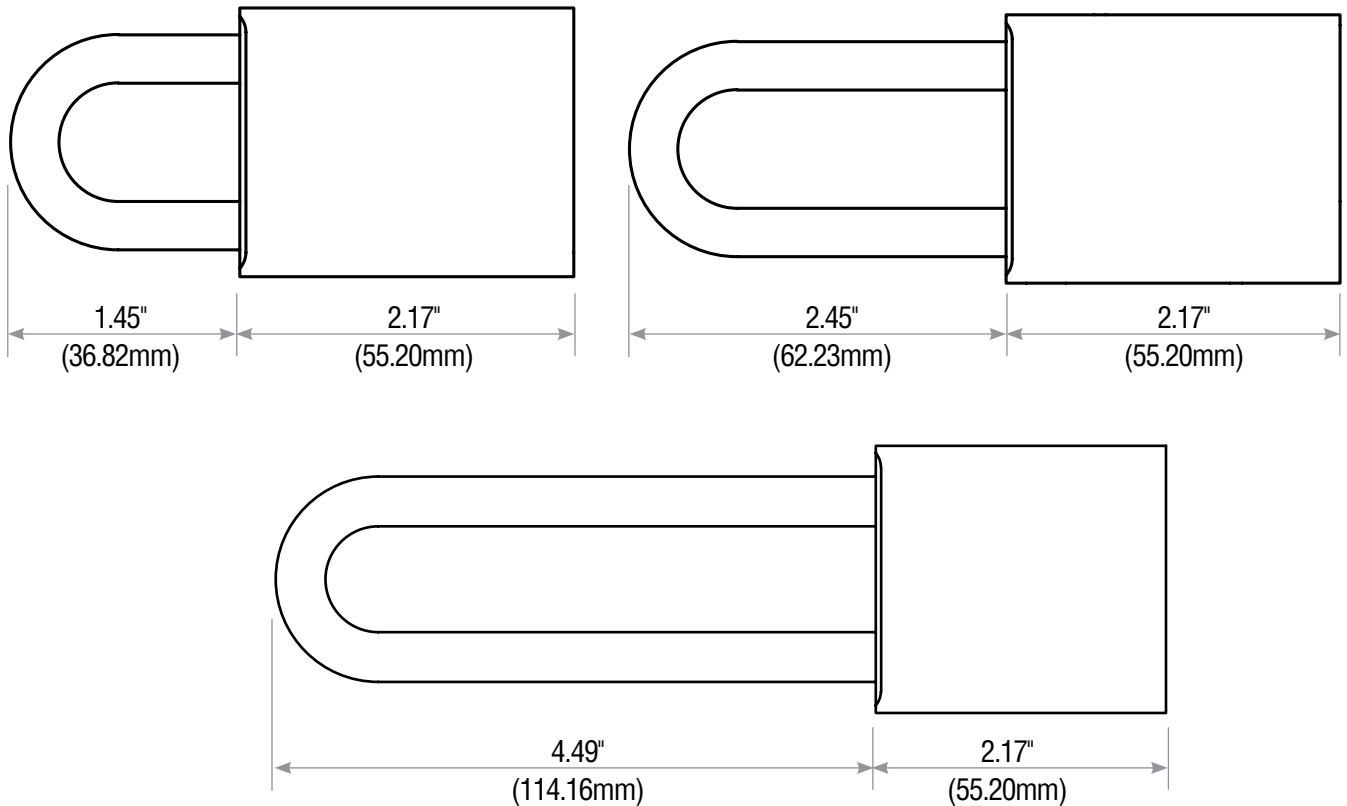
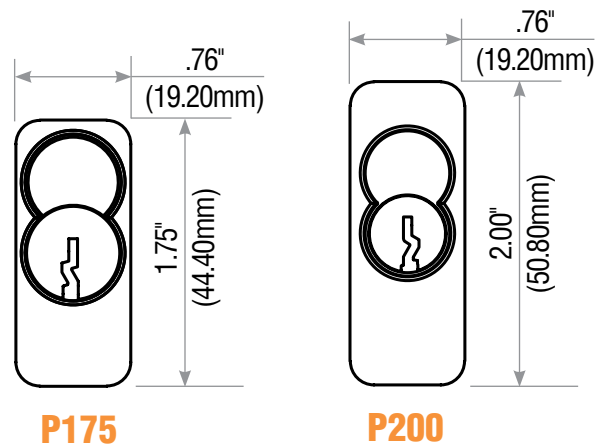
- ▶ Solid brass body, non-key retaining
- ▶ Double ball bearing locking
- ▶ 22 keyways
- ▶ Hardened shackle
- ▶ 3 shackle sizes
- ▶ Can be ordered body only*



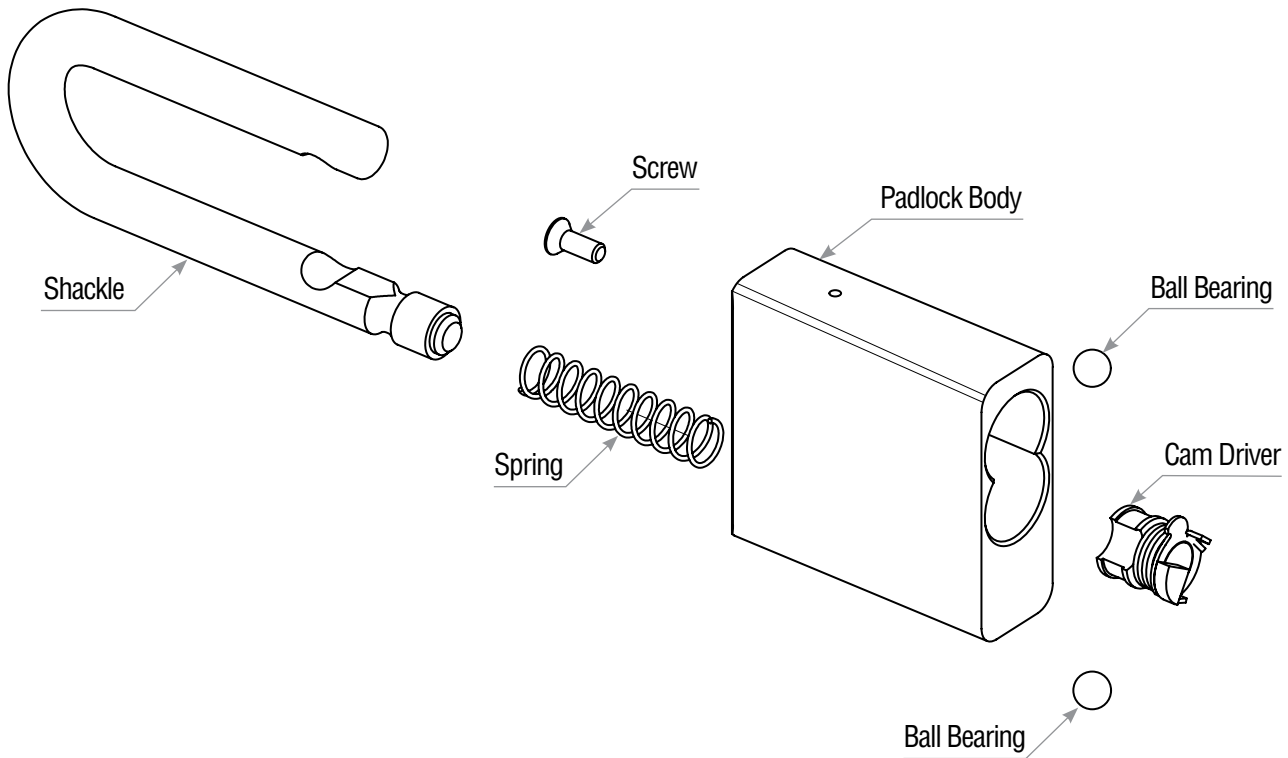
Model #	Type	Shackle Diameter
P175	1-3/4" wide body	5/16" shackle diameter
P200	2" wide body	3/8" shackle diameter

*Accepts K001 cylinders

Drawings on this page are not to scale.



Standard Padlock Schematic Drawing



How to Order Standard Padlocks

	Model #	Shackle Clearance	Keyway **	Keying **
1-3/4" Wide Body Padlock	P175	1" Shackle Clearance 1	Arrow 1179 AW	
2" Wide Body Padlock	P200	2" Shackle Clearance 2	Assa 62 A62*	
		4" Shackle Clearance 4	Assa Twin 6000 AST*	
			Assa V10 ASV*	
			Corbin 60 CB	
			Corbin L4 CL4	
			Kwikset 1176 KW	
			Russwin D1 RD1	
			Sargent LA SA	
			Sargent LA~LD SAX	
			Sargent LB SLB	
			Sargent RA RA	
			Schlage C SC	
			Schlage C123 G23*	
			Schlage C145 G45*	
			Schlage C~K SX	
			Schlage E SCE	
			Schlage F SCF	
			Segal 9 SE	
			Weiser E WR	
			Yale 8 YA	
			Yale GA YGA	
				Zero Bitted OB
				OB-6***
	P175	4	AW	OB

*No key for A62, AST, ASV, G23 and G45 keyways. **Omit when ordering padlock body only. ***Cylinders are 6 pin.

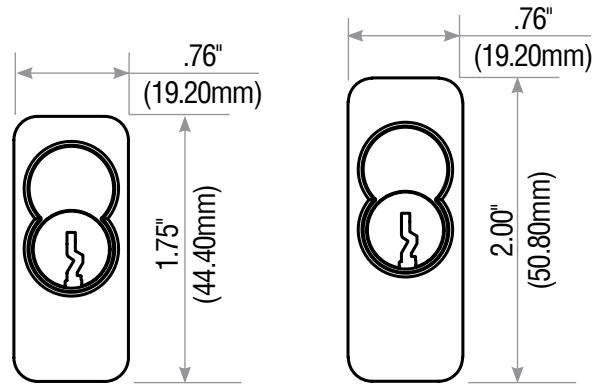
IC CORE PADLOCK

- ▶ Solid brass body, non-key retaining
- ▶ Double ball bearing locking
- ▶ Hardened shackle
- ▶ 3 shackle sizes
- ▶ Body accepts 6 or 7 pin IC core



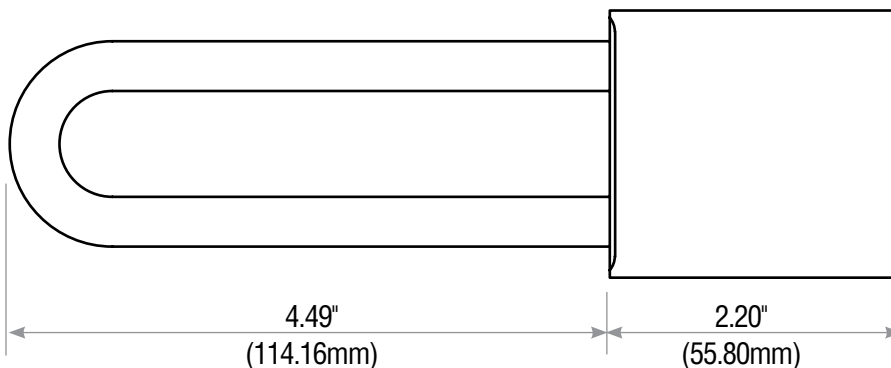
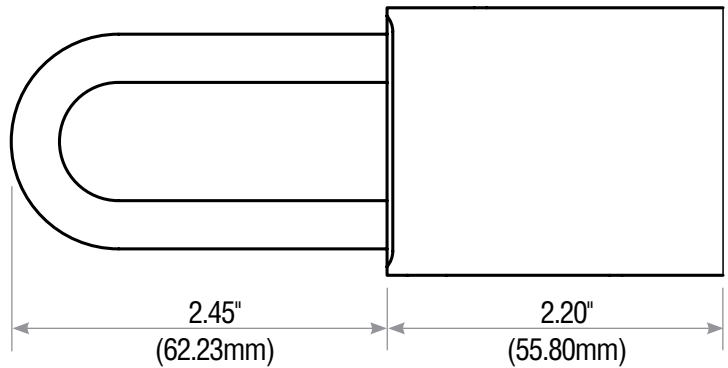
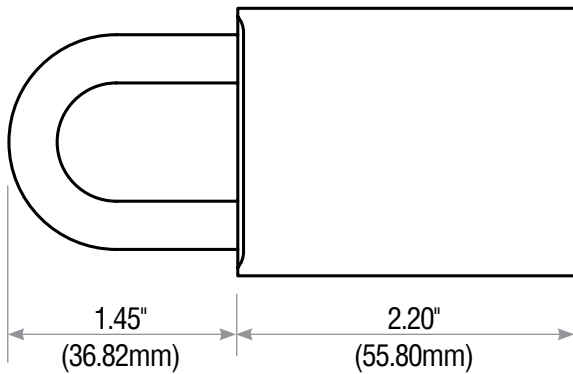
Model #	Type	Shackle Diameter
ICP175	1-3/4" wide body	5/16" shackle diameter
ICP200	2" wide body	3/8" shackle diameter

Drawings on this page are not to scale.

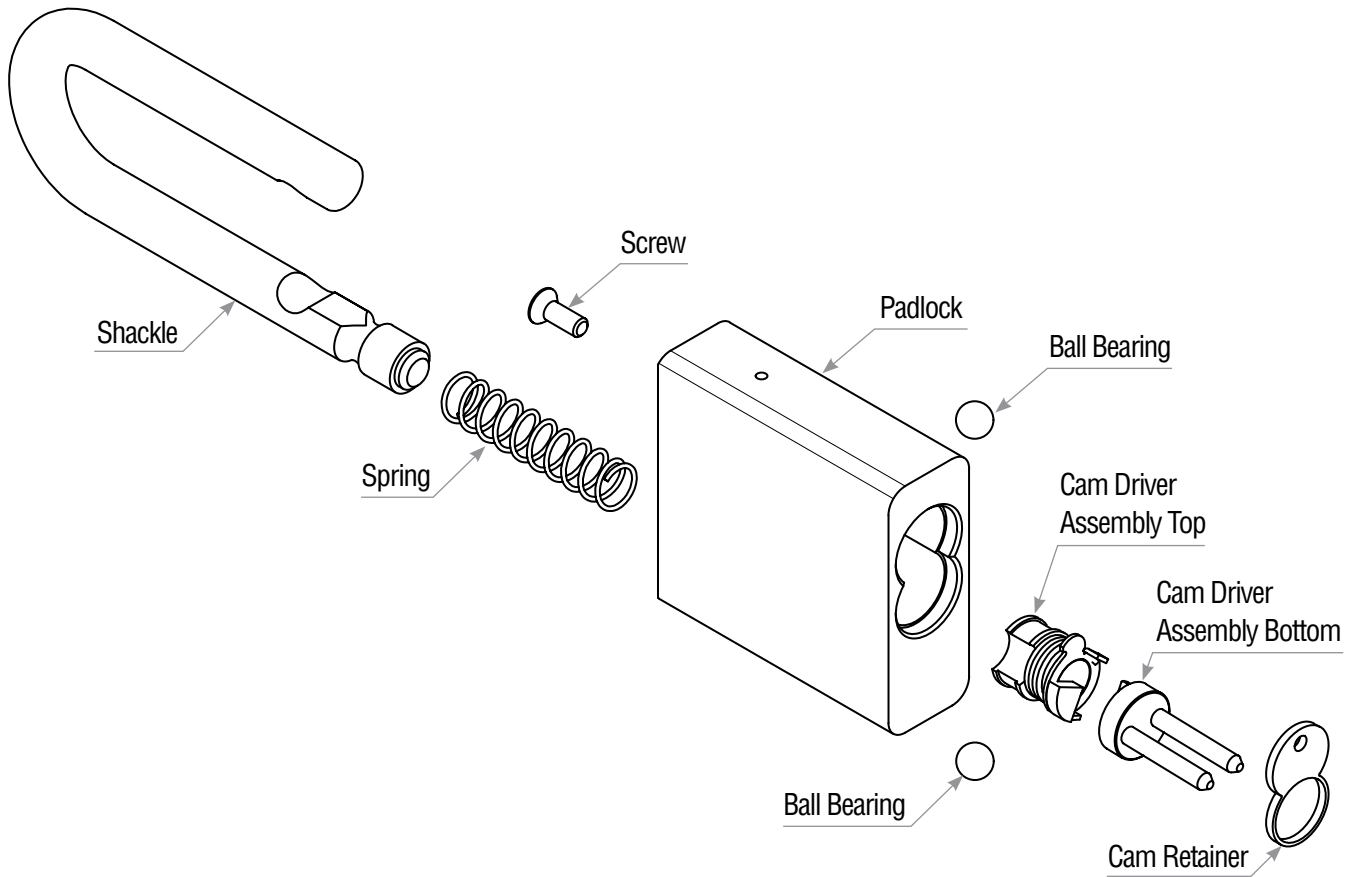


ICP175

ICP200



IC Core Padlock Schematic Drawing



How to Order IC Core Padlocks

	Model #	Shackle Clearance
1-3/4" Wide Body IC Core Padlock	ICP175	1"
2" Wide Body IC Core Padlock	ICP200	2"
		4"

ICP175 **4**



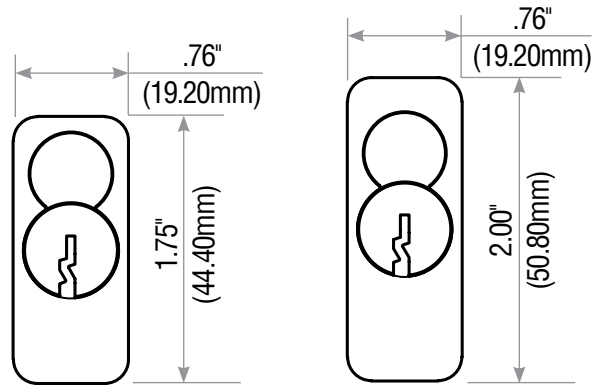
LFIC CORE PADLOCK

- ▶ Solid brass body, non-key retaining
- ▶ Double ball bearing locking
- ▶ Hardened shackle
- ▶ 3 shackle sizes
- ▶ Body accepts Schlage style large format IC cores



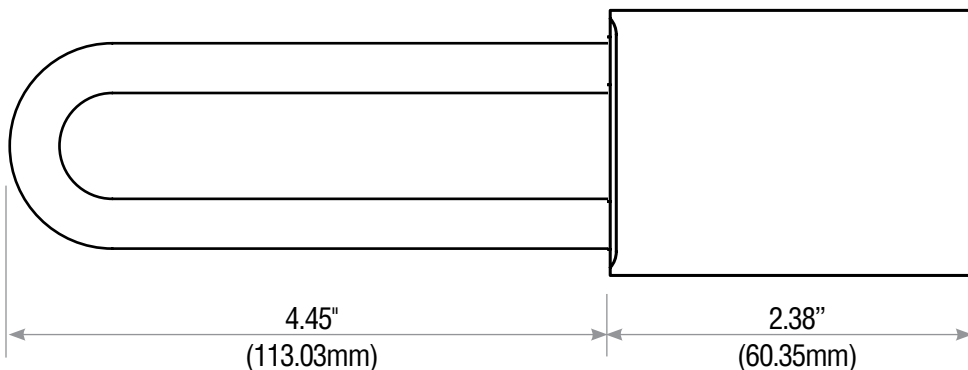
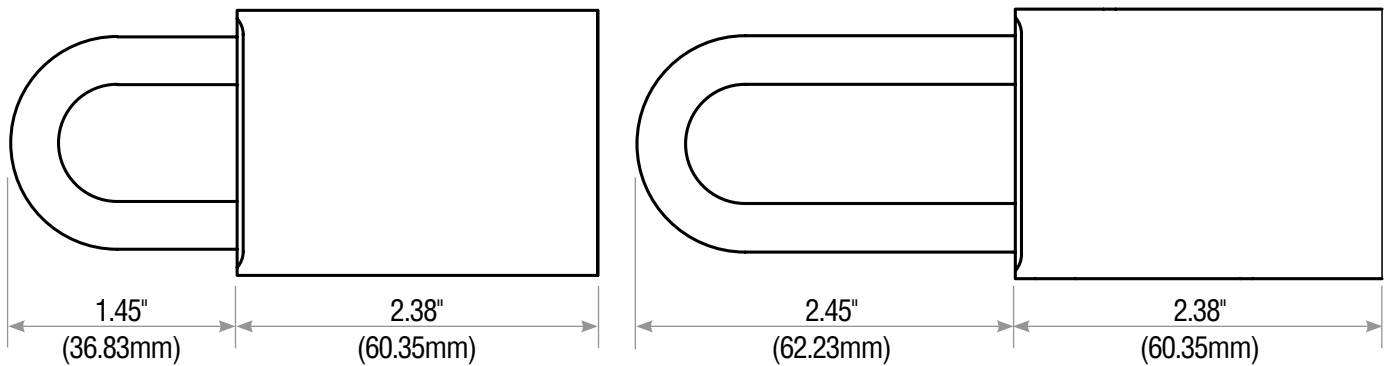
Model #	Type	Shackle Diameter
LFICP175	1-3/4" wide body	5/16" shackle diameter
LFICP200	2" wide body	3/8" shackle diameter

Drawings on this page are not to scale.

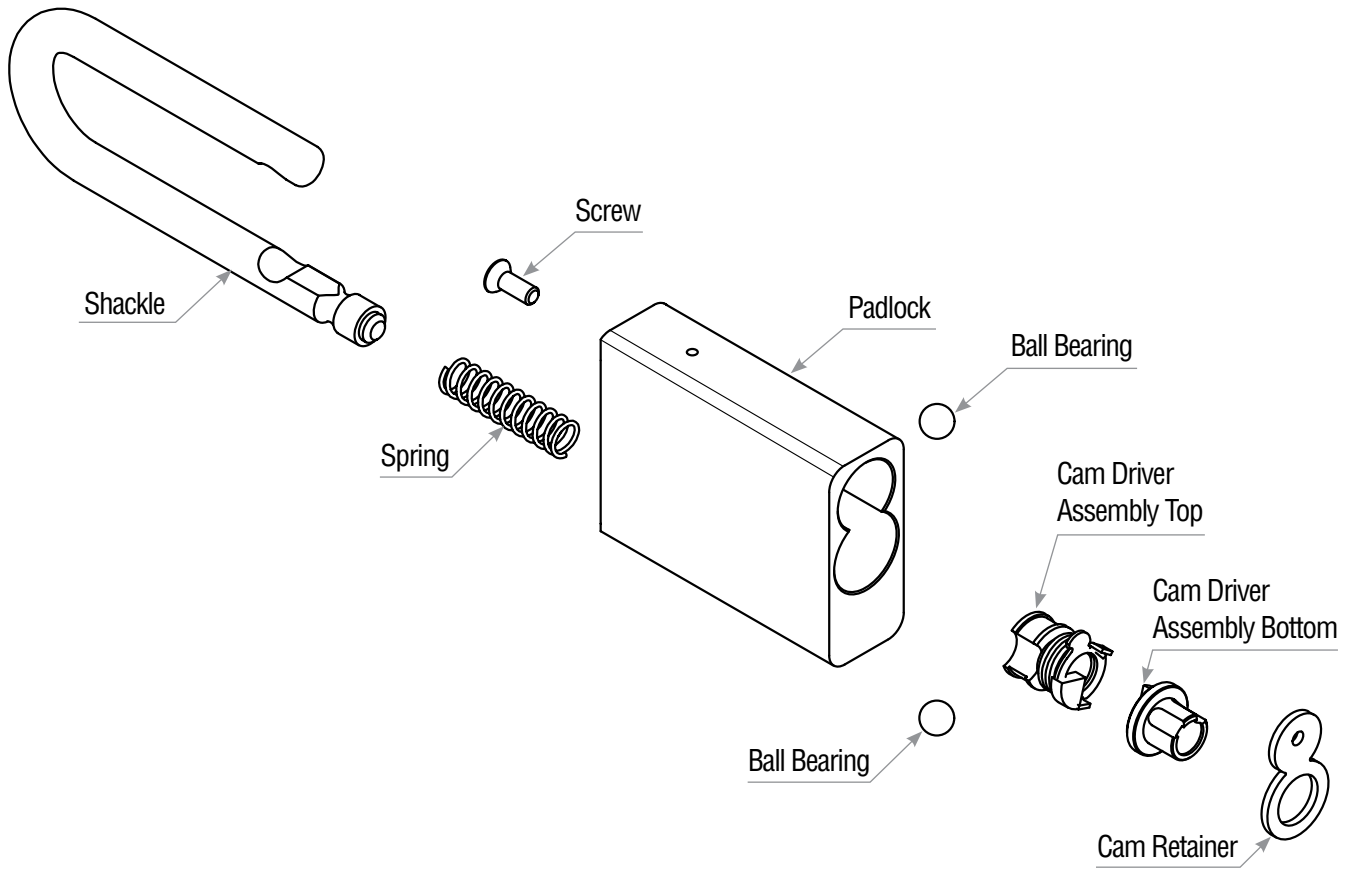


LFICP175

LFICP200



LFIC Core Padlock Schematic Drawing



How to Order LFIC Core Padlocks

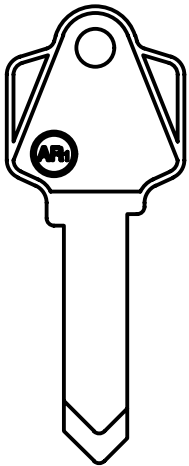
	Model #	Shackle Clearance
1-3/4" Wide Body LFIC Core Padlock	LFICP175	1
2" Wide Body LFIC Core Padlock	LFICP200	2
		4

LF175	4
--------------	----------

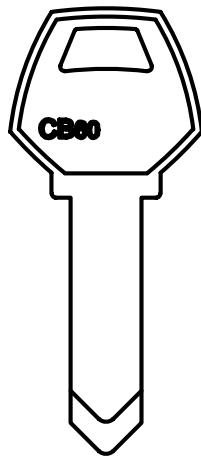


KEY BLANKS

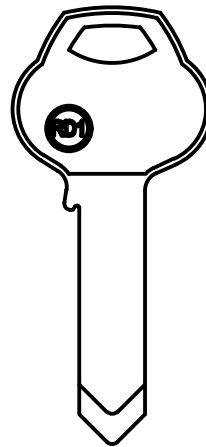
- ▶ Made of solid brass
- ▶ Keys bow design is same as originals
- ▶ Meet OEM specifications



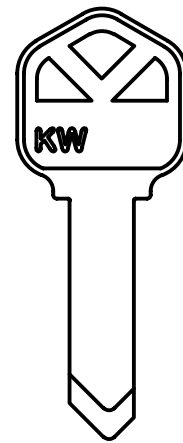
Arrow
KB5AWPB-50
KB6AWPB-50



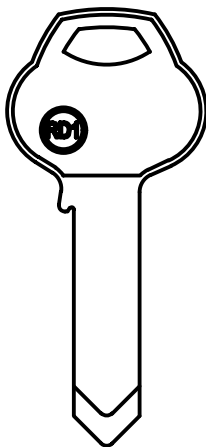
Corbin 60
KB5CBPB-50
KB6CBPB-50



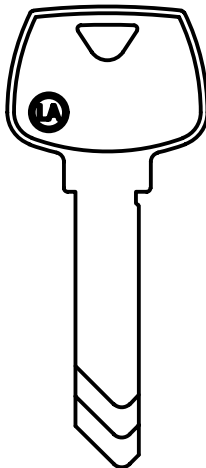
Corbin L4
KB5CL4PB-50
KB6CL4PB-50



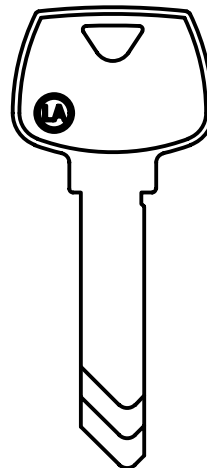
Kwikset
KB5KWPB-50
KB6KWPB-50



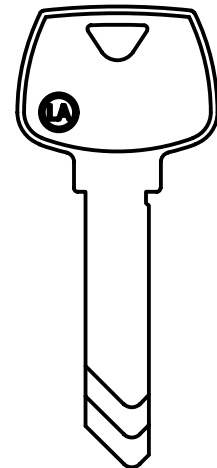
Russwin D1
KB5RD1PB-50
KB6RD1PB-50



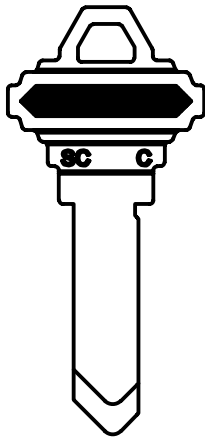
Sargent LA
KB5SAPB-50
KB6SAPB-50



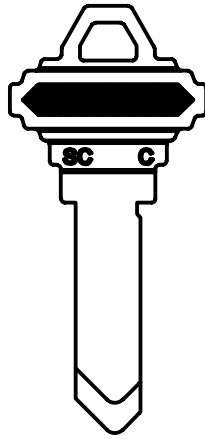
Sargent LB
KB5SLBPB-50
KB6SLBPB-50



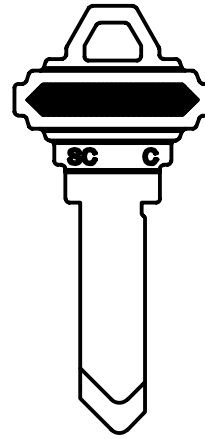
Sargent RA
KB5RAPB-50
KB6RAPB-50



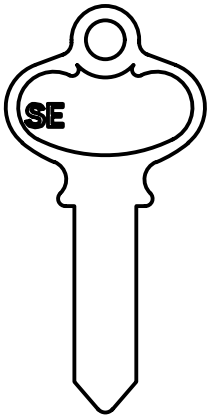
Schlage C
KB5SCPB-50
KB6SCPB-50



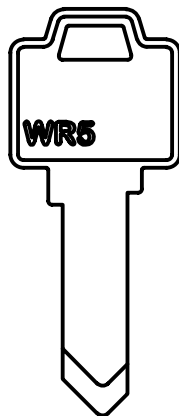
Schlage E
KB5SCEPB-50
KB6SCEPB-50



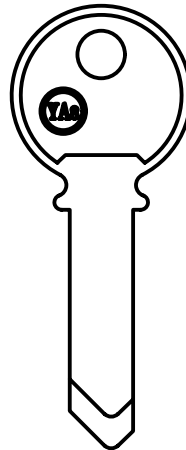
Schlage F
KB5SCFPB-50
KB6SCFPB-50



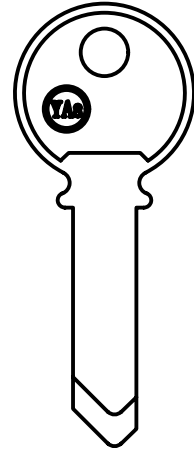
Segal 9
KB5SEPB-50
KB6SEPB-50



Weiser E
KB5WRPB-50
KB6WRPB-50



Yale 8
KB5YAPB-50
KB6YAPB-50

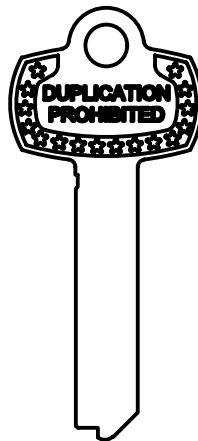


Yale GA
KB5YGAPB-50
KB6YGAPB-50

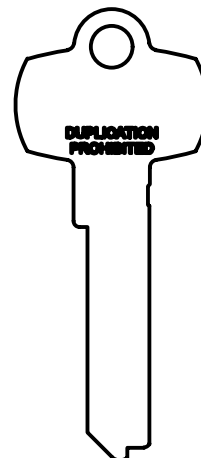
Best Keyblanks

- ▶ Made of nickel silver

Designate Keyway when ordering



KBB



KBB





UNITED STATES

2000 - 124th Ave. NE, Ste B105
Bellevue, WA 98005

CANADA

170 - 12860 Clarke Place
Richmond, BC V6V 2H1

WWW.GMSLOCK.COM • 888-774-5625

A PERFECT FIT