

USER MANUAL

MIDEA BLANC

The design and specifications are subject to change without prior notice for product improvement. Consult with the sales agency or manufacturer for details.

CR170-RG70A
16117000000634

Thank you very much for purchasing our air conditioner.
Please read this owner's manual carefully before using
your air conditioner.

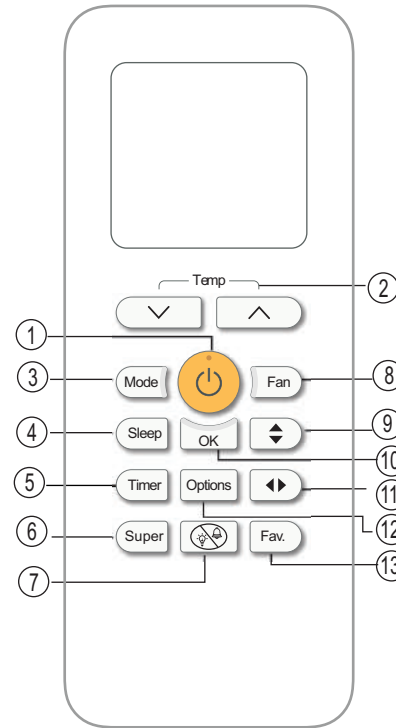
CONTENTS

Remote controller Specifications.....	1
Operation of buttons	2
Indicators on LCD	6
How to use the buttons	7
AUTO/COOL operation.....	7
DRY/FAN operation.....	8
HEAT operation	9
Setting the Timer function	9
Handling the remote controller	13

Remote Controller Specifications

Model	RG70A/BGEF, RG70E/BGEF
Rated Voltage	3.0V(Dry batteries R03/LR03×2)
Signal Receiving Range	8m
Environment	-5°C~60°C

Operation of buttons

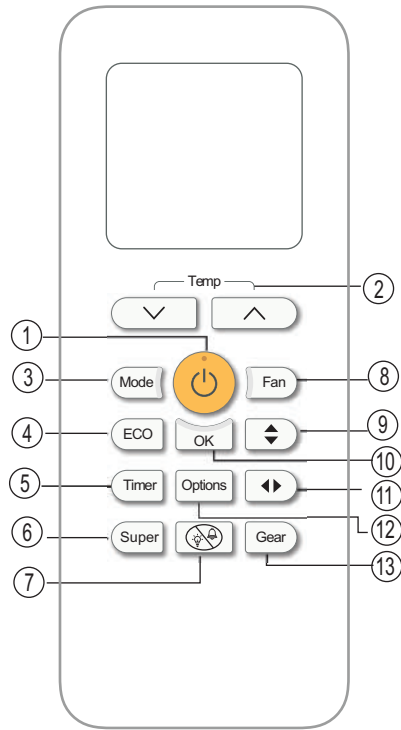


RG70A/BGEF

- ON/OFF Button()**
This button turns the air conditioner ON and OFF.
- Temp Up Button()**
Press this button to increase the set temperature or Timer setting hours.
Temp Down Button()
Push this button to decrease the set temperature or Timer setting hours.
NOTE:
 - When the air conditioner operates under heating mode with the set temperature of 17°C, pressing button continuously for two times will activate 8 Degree heating. The indoor unit display shows "FP".
- Mode Button**
Press this button to modify the air conditioner mode in a sequence of following:

NOTE: Please do not select HEAT mode if the machine you purchased is cooling only type. Heat mode is not supported by the cooling only appliance.
- Sleep button(applicable to RG70A/BGEF)**
Used to active/cancel Sleep mode. It can maintain the most comfortable temperature and save energy. This function is available on COOL, HEAT or AUTO mode only .
For the detail, see "sleep operation" in "USER'S MANUAL"
- ECO Button(applicable to RG70E/BGEF)**
Used to enter the energy efficient mode. Under cooling mode, press this button, the remote controller will adjust the temperature automatically to 24°C, fan speed of Auto to save energy(but only if the set temperature is less than 24°C). If the set temperature is between 24°C and 30°C, press the ECO button, the fan speed will change to Auto, the set temperature will remain unchanged.

Operation of buttons



RG70E/BGEF

NOTE:

- Pressing the SLEEP button, or modifying the mode or adjusting the set temperature to less than 24°C will stop ECO operation.
- Under ECO operation, the set temperature should be 24°C or more. It may result in insufficient cooling. If you feel uncomfortable, just press the ECO button again to stop it.

5 Timer Button

Press this button to initiate the auto-on/ auto-off time sequence.

6 Super Button

- Press this button under cooling operation, the set temperature will change to 17°C, the fan speed shift to high and bring faster cooling operation.
- Press this button under heating operation, the set temperature will change to 30°C, the fan speed shift to high and bring faster heating operation.

NOTE:

- This function is not available under AUTO, DRY, FAN, Self Clean or Comfort mode.
- Press MODE, FAN, SLEEP or ECO button will cancel Super function.

7 Do Not Disturb Button ()

Press this button to turn off the indoor screen display, and also turn off the Air conditioner buzzer, the fan speed shifts to low, which create a comfortable and quiet environment. Press it again to cancel this function. Under Do Not Disturb mode, the display will illuminate for 10 seconds while adjusting the mode, set temperature or fan speed, etc.

8 Fan Button

Used to select the fan speed in four steps:

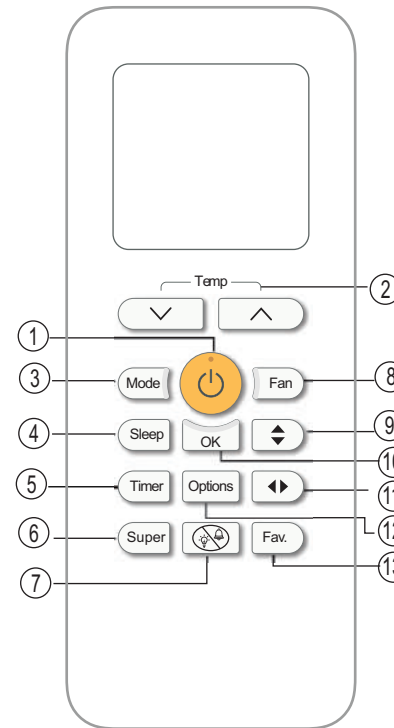
→ AUTO → LOW → MED → HIGH →

NOTE:

- You can not switch the fan speed in AUTO or DRY mode.
- Hold down this button for at least 2 seconds to activate/cancel **Silent** mode. Due to low frequency operation of compressor, it may result in insufficient cooling and heating capacity.
- Press Fan, MODE, Sleep, ON/OFF, ECO or Gear button will cancel the Silent function.

3

Operation of buttons



RG70A/BGEF

9 Swing ◀▶ Button

Used to stop or start vertical louver movement and set the desired left/right air flow direction. The louver changes 6 degree in angle for each press. If keep pushing more than 2 seconds, the louver will swing up and down automatically.

10 OK Button

Used to confirm the optional functions.

11 Swing ▲▼ Button

Used to stop or start horizontal louver movement or set the desired up/down air flow direction. The louver changes 6 degree in angle for each press. If keep pushing more than 2 seconds, the louver will swing up and down automatically.

12 Options Button

Press this button to select the air conditioner function in a sequence of following:

→ Fresh → Follow me → Comfort → Self clean →

Press the Options button to select the desired function, the selected symbol will flash on the display area, then press the OK button to confirm.

* FRESH function ()

When the FRESH function is initiated, the Ionizer/Plasma Dust Collector (depending on models) is energized and will help to remove pollen and impurities from the air.

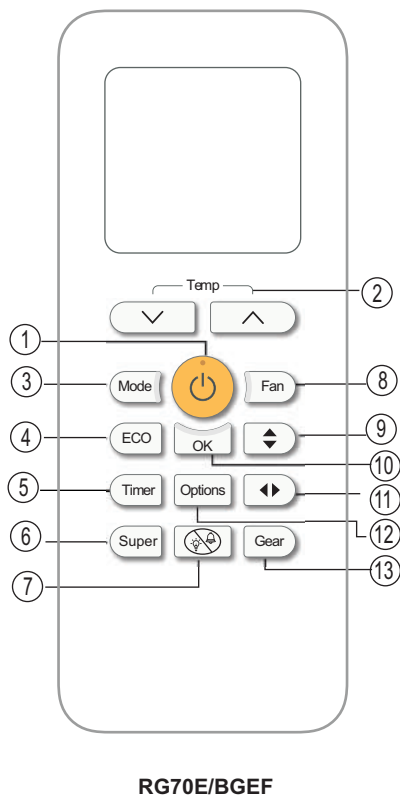
* FOLLOW ME function ()

When the Follow Me function is activated, the remote display is actual temperature at its location. The remote control will send this signal to the air conditioner every 3 minutes interval until press the FOLLOW ME button again.

* Comfort function ()

When the Comfort function is activated, the air conditioner will be set at 23°C automatically. It is not available under fan mode.

4



RG70E/BGEF

*** SELF CLEAN function()**

Under SELF CLEANmode, the air conditioner will automatically clean and dry the Evaporator and keep it as fresh for the next operation. It is not available under heating or fan mode.

(* Indicate optional functions)

16 Fav.Button(applicable to RG70A/BGEF)

- Used to restore the current settings or resume previous settings.
- On the first time connecting to the power, if push the **Fav.** button, the unit will operate on AUTO mode, 26°C, and fan speed is Auto.
- Push this button when remote controller is on, the system will automatically revert back to the previous settings including operating mode, setting temperature, fan speed level and sleep feature(if activated).
- If pushing more than 2 seconds, the system will automatically restore the current operation settings including operating mode, setting temperature, fan speed level and sleep feature(if activated).

Gear.Button(applicable to RG70E/BGEF)

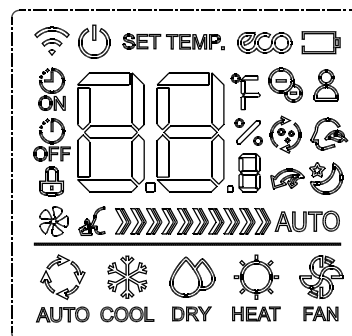
- Press this button to enter the energy efficient mode in a sequence of following:
 - 50% (electrical energy consumption,DR mode)
 - 75% (electrical energy consumption,DR mode)
 - Previous setting mode
- Turn off the unit or activate ECO, sleep, FP, Super, Silent or Self clean function will cancel the electrical energy consumption control function.

NOTE:

- “ ”
- “ ”
- “ ”

Indicators on LCD

Information are displayed when the remote controller is powered up.



Mode display

AUTO	COOL	DRY	HEAT	FAN
Displayed when data transmitted.				
	Displayed when remote controller is ON.			
	Displayed in ECO mode operation			
	Battery display(low battery detection)			
	Displayed when TIMER ON time is set.			
	Displayed when TIMER OFF time is set.			
	Not available for this unit.			
	Displayed when Silent feature is activated			
	Show set temperature or room temperature, or time under TIMER setting.			
	Indicated that the air conditioner is operating in Follow me mode			
	Displayed when select Fresh feature			
	Displayed when select Self clean feature			
	Displayed when select Comfort feature			
	Displayed in Sleep Mode operation.			
	Displayed in Super Mode operation.			

Fan speed indication

		Low speed
		Medium speed
		High speed
		AUTO Auto fan speed

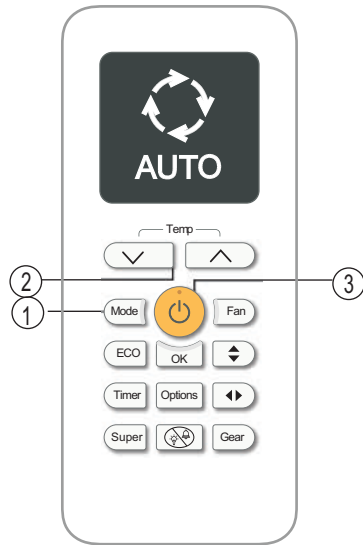
Note:

All indicators shown in the figure are for the purpose of clear presentation. But during the actual operation only the relative functional signs are shown on the display window.

Buttons design is based on typical model and might be slightly different from the actual one you purchased. The actual shape shall prevail.

All the functions described are accomplished by the unit. If the unit has no this

How to use the buttons



AUTO operation

SETTING TEMPERATURE

The operating temperature range for units is 17-30°C. You can increase or decrease the set temperature in 1°C increments.

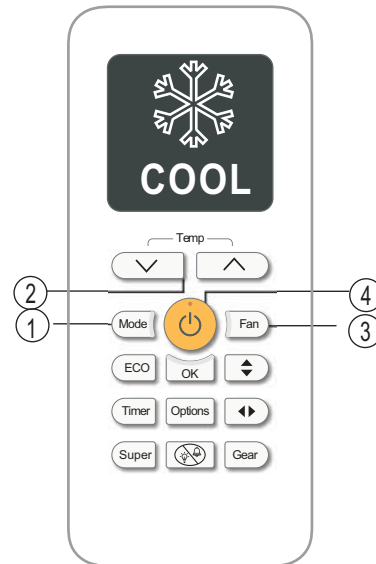
In **AUTO** mode, the unit will automatically select the COOL, FAN, HEAT or DRY mode based on the set temperature.

1. Press the **MODE** button to select Auto mode.
2. Set your desired temperature using the **Temp** ∇ or **Temp** \blacktriangle button.
3. Press the **ON/OFF** button to start the unit.

NOTE: FAN SPEED can't be set in Auto mode.

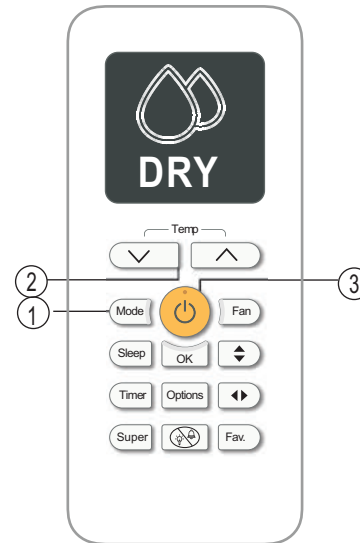
COOL operation

1. Press the **MODE** button to select **COOL** mode.
2. Set your desired temperature using the **Temp** ∇ or **Temp** \blacktriangle button.
3. Press the **FAN** button to select the fan speed: AUTO, LOW, MED, or HIGH.
4. Press the **ON/OFF** button to start the unit.



7

How to use the buttons



DRY operation(dehumidifying)

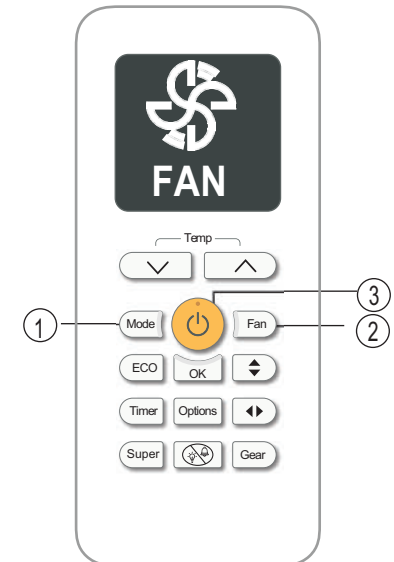
1. Press the **MODE** button to select **DRY** mode.
2. Set your desired temperature using the **Temp** ∇ or **Temp** \blacktriangle button.
3. Press the **ON/OFF** button to start the unit.

NOTE: FAN SPEED can't be changed in DRY mode.

FAN operation

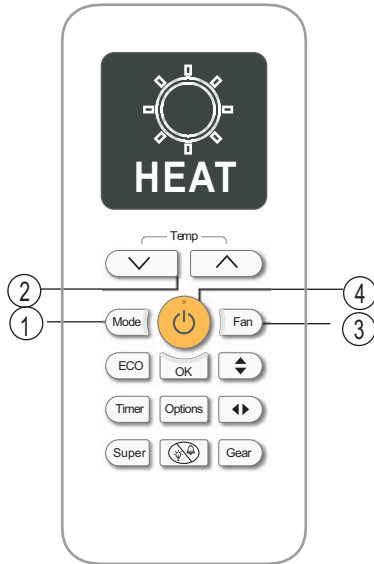
1. Press the **MODE** button to select **FAN** mode.
2. Press **FAN** button to select the fan speed: AUTO, LOW, MED or HIGH.
3. Press the **ON/OFF** button to start the unit.

NOTE: You can't set temperature in FAN mode. As a result, your remote control's LCD screen will not display temperature.



8

How to use the buttons



HEAT operation

1. Press the **MODE** button to select **HEAT** mode.
2. Set your desired temperature using the **Temp** ∇ or **Temp** \wedge button.
3. Press the **FAN** button to select the fan speed: AUTO, LOW, MED, or HIGH.
4. Press the **ON/OFF** button to start the unit.

NOTE: As outdoor temperature drops, the performance of your unit's HEAT function may be affected. In such instances, we recommend using this air conditioner in conjunction with other heating appliance.

Setting the TIMER function

Your air conditioning unit has two timer-related functions:

- **TIMER ON**- sets the amount of timer after which the unit will automatically turn on.
- **TIMER OFF**- sets the amount of time after which the unit will automatically turn off.

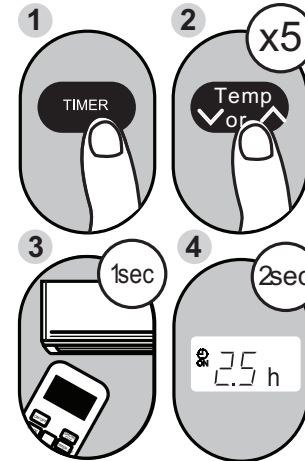
TIMER ON function

The **TIMER ON** function allows you to set a period of time after which the unit will automatically turn on, such as when you come home from work.

1. Press the **Timer** button, the Timer on indicator "⌚" displays and flashes. By default, the last time period that you set and an "h" (indicating hours) will appear on the display.

Note: This number indicates the amount of time after the current time that you want the unit to turn on. For example, if you set **TIMER ON** for 2 hours, "2.0h" will appear on the screen, and the unit will turn on after 2 hours.

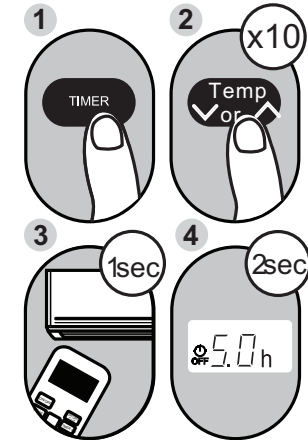
2. Press the **Temp** ∇ or \wedge button to set the time when you want the unit to turn on.
3. Wait 2 seconds, then the **TIMER ON** function will be activated. The digital display on your remote control will then return to the temperature display.



Example: Setting unit to turn on after 2.5 hours.

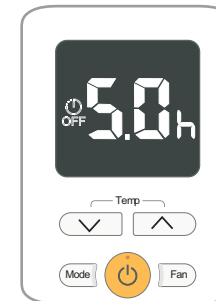
TIMER ON function

The **TIMER OFF** function allows you to set a period of time after which the unit will automatically turn off, such as when you wake up.



Example: Setting unit to turn on after 5 hours.

NOTE: When setting the **TIMER ON** or **TIMER OFF** functions, up to 10 hours, the time will increase in 30 minute increments with each press. After 10 hours and up to 24, it will increase in 1 hour increments. The timer will revert to zero after 24 hours. You can turn off either function by setting its timer to "0.0h".

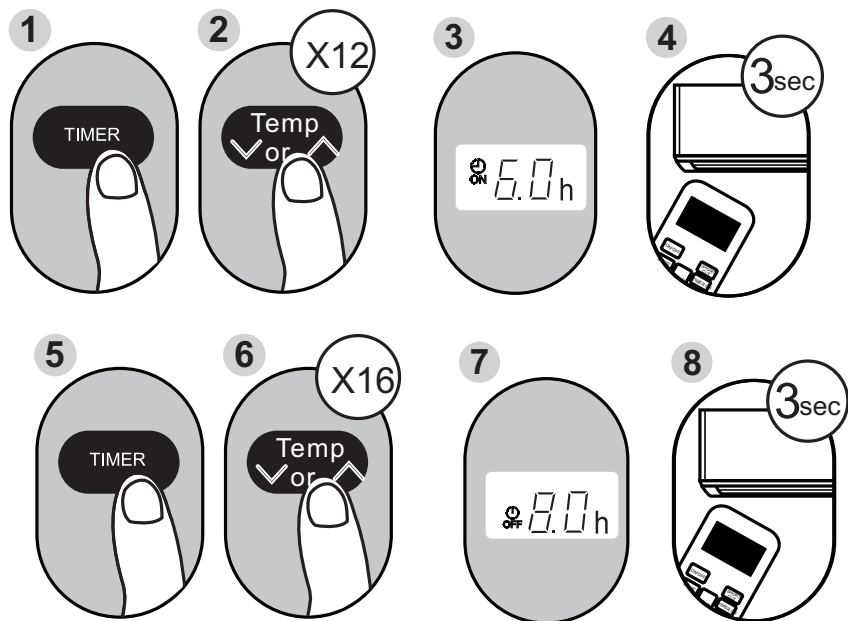


Continue to press **Temp** ∇ or \wedge button until the desired time is reached.

Setting both TIMERON and TIMEROFF at the same time

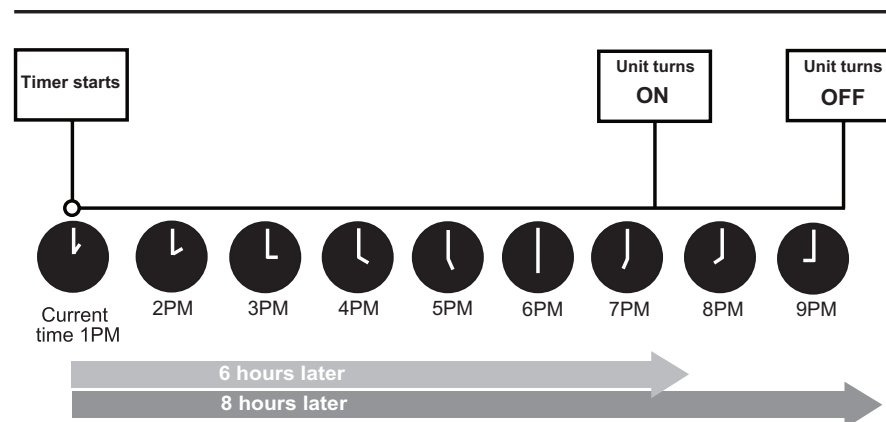
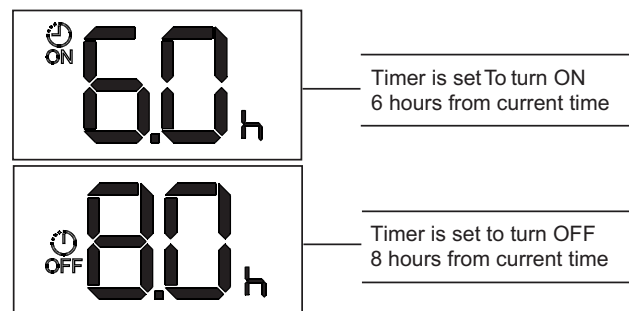
Keep in mind that the time periods you set for both functions refer to hours after the current time. For example, say that the current time is 1:00 PM, and you want the unit to turn on automatically at 7:00 PM. You want it to operate for 2 hours, then automatically turn off at 9:00 PM.

Do the following:

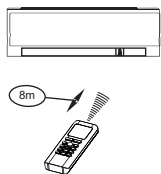


Example: Setting the unit to turn on after 6 hours, operate for 2 hours, then turn off (see the figure below)

Your remote display



Handling the remote controller

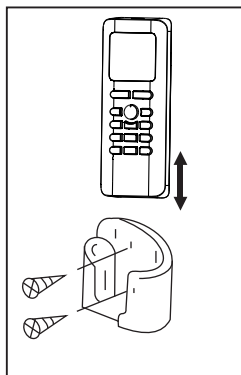


Location of the remote controller.

- Use the remote controller within a distance of 8 meters from the appliance, pointing it towards the receiver. Reception is confirmed by a beep.

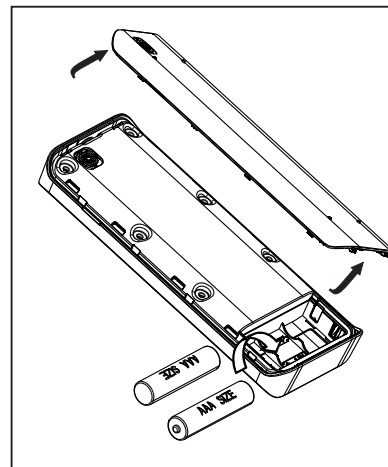
⚠ CAUTIONS

- The air conditioner will not operate if curtains, doors or other materials block the signals from the remote controller to the indoor unit.
- Prevent any liquid from falling into the remote controller. Do not expose the remote controller to direct sunlight or heat.
- If the infrared signal receiver on the indoor unit is exposed to direct sunlight, the air conditioner may not function properly. Use curtains to prevent the sunlight from falling on the receiver.
- If other electrical appliances react to the remote controller, either move these appliances or consult your local dealer.
- Do not drop the remote controller. Handle with care.
- Do not place heavy objects on the remote controller, or step on it.



Using the remote controller holder (optional)

- The remote controller can be attached to a wall or pillar by using a remote controller holder(not supplied, purchased separately).
- Before installing the remote controller, check that the air conditioner receives the signals properly.
- Install the remote controller with two screws.
- For installing or removing the remote controller, move it up or down in the holder.



Replacing batteries

The following cases signify exhausted batteries. Replace old batteries with new ones.

- Receiving beep is not emitted when a signal is transmitted.
- Indicator fades away.

The remote controller is powered by two dry batteries (R03/LR03X2) housed in the back rear part and protected by a cover.

- (1) Remove the back cover of the remote controller.
- (2) Remove the old batteries and insert the new batteries, placing the (+) and (-) ends correctly.
- (3) Install the cover back on.

NOTE: When the batteries are removed, the remote controller erases all programming. After inserting new batteries, the remote controller must be reprogrammed.

⚠ CAUTIONS

- Do not mix old and new batteries or batteries of different types.
- Do not leave the batteries in the remote controller if they are not going to be used for 2 or 3 months.
- Do not dispose batteries as unsorted municipal waste. Collection of such waste separately for special treatment is necessary.