

USG
Ceiling
Solutions



USG Exterior Ceiling Systems

INSTALLATION GUIDE



The inside front cover is intentionally left blank.

USG EXTERIOR CEILING SYSTEMS

INSTALLATION GUIDE

For decades, USG exterior ceiling systems have been utilized in a wide variety of exterior applications because they not only satisfy stringent performance requirements and design criteria but also provide beauty and durability.

These ceiling systems combine traditional modules, elegant linear pans, or metal panels with a specially engineered suspension system to create dynamic ceilings featuring clean, contemporary planes.

This installation guide identifies and defines components used in each system and provides step-by-step instructions used to install each of the six USG exterior ceiling systems. For additional information, see the *USG Exterior Ceiling Systems Guide*, SC2561, which contains design considerations, test results, and construction details including seismic applications related to the installation of these systems.

Exterior Ceiling Applications

3

LINEAR METAL CEILING SYSTEMS

Paraline® II
Paraline® Plus

29

METAL PANEL CEILING SYSTEMS

Celebration™ Snap-In
Celebration™ Torsion Spring

55

USG SHEETROCK® BRAND LAY-IN CEILING PANELS

ZXLA™

69

USG DRYWALL SUSPENSION SYSTEM

Ceiling Grid Framing System

For More Information

Technical Service
800.USG.4YOU

Website
usg.com

Page 2 intentionally left blank.

LINEAR METAL CEILING SYSTEMS

Exterior Ceiling Applications

Paraline® II

DESCRIPTION

USG Paraline® II Linear Metal Pans combine a unique linear appearance with the strength and corrosion resistance of aluminum. Paraline II linear metal pans are supported by testing for a variety of installation requirements for exterior applications with proper bracing and framing.

This guide outlines the design considerations, test results, and construction details for the installation of USG Paraline II exterior ceiling systems.

USG exterior assemblies were tested per UL 580, UL 1897, and listed in PEI Evaluation Report, PER-12055.

NOTES

Follow proper safety and industrial hygiene practices while handling and installing all products and systems. Take necessary precautions and wear appropriate personal protective equipment as needed. For product safety information and personal protective equipment recommendations review the safety data sheet. When removing or installing ceiling pans from grid, we recommend wearing a dust mask, cut-resistant gloves, and eye protection. Provide drop cloths to cover and protect furnishings below. When using a ladder or lift, follow the equipment manufacturer's precautions, instructions, and safety guidelines.

All ceiling products and systems must be installed and maintained in accordance with current USG written instructions and in compliance with ASTM C636, ASTM E580, CISCA, and standard industry practices.

Care must be taken to safeguard products from damage during delivery and while they are stored at the jobsite. The products must always be protected from vibration, chemical fumes, and direct contact with water both before and after installation.

PARALINE® II

Components

Pans

Paraline II linear pans are 12 ft. long aluminum pans with a 3-1/4 in. wide face featuring integral flanges that overlap to form a reveal closure appropriate for exterior soffit applications. They can be perforated or non-perforated. The reveal on the pans can be either matching or black.

Suspension System

Symmetrical carriers are 12 ft. aluminum carriers used in exterior applications to hold the Paraline II pans.

Expansion carriers are 4 ft. symmetrical carriers used at the end of standard symmetrical carriers to increase the space between the pans by 1/8 in. to allow for the use of full pans at the perimeter.

Contraction carriers are 4 ft. symmetrical carriers used at the end of standard symmetrical carriers to decrease the space between the pans by 3/32 in. to allow for the use of full pans at the perimeter.

Symmetrical carrier splices are 6 in. splices used at two abutting ends of symmetrical carriers to reinforce the joint.

U-2-3/32 moldings are 12 ft. aluminum wall moldings used at the perimeter of the Paraline II system.

Accessories

Hanger reinforcement clips are 2 in. clips used at each hanger wire location.

U-2-3/32 hold-down clips are used at the perimeter to hold the pans flat in the U-molding.

Paraline II splice plates are used to connect two abutting Paraline II pans to reinforce the joint.

90-degree Paraline II splice plates are used to connect two intersecting Paraline II pans to reinforce a 90-degree corner.

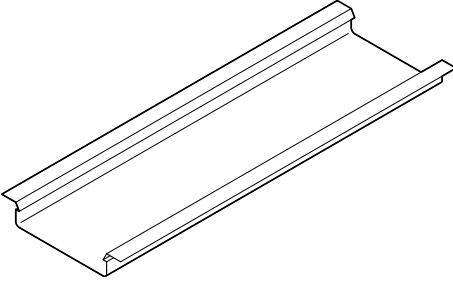
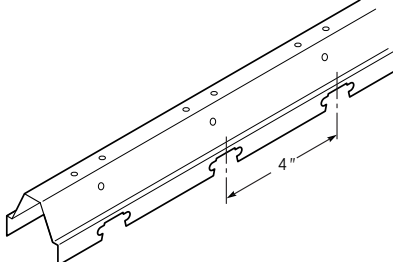
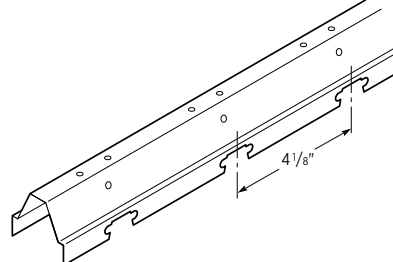
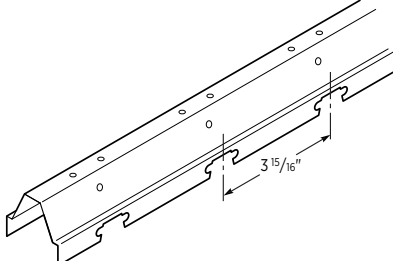
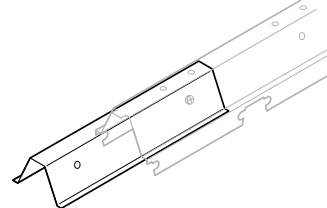
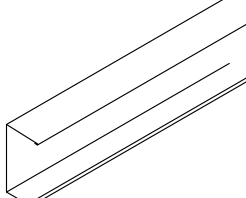
Paraline II end plugs are used to finish the ends of Paraline II pans.

Compression post adapters are used with 3/4 in. conduit (by others) to attach the conduit to the symmetrical carriers.

12-gauge hanger wires are a common building product used to suspend acoustical, drywall, and specialty ceilings. They are galvanized for corrosion resistance.

PARALINE® II

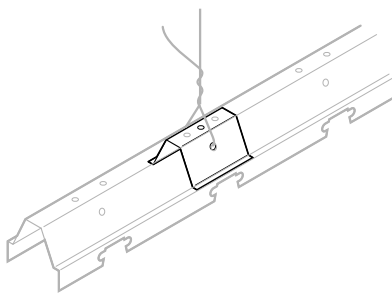
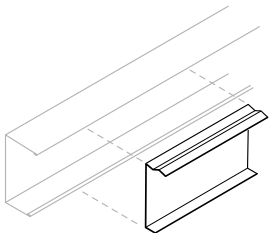
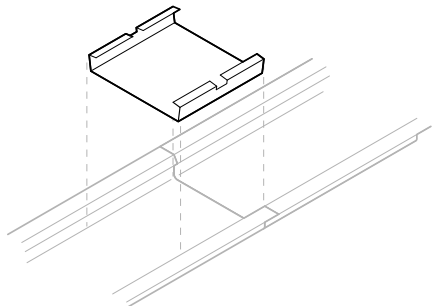
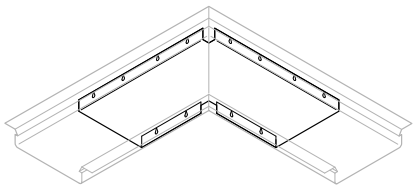
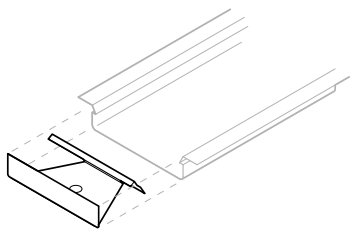
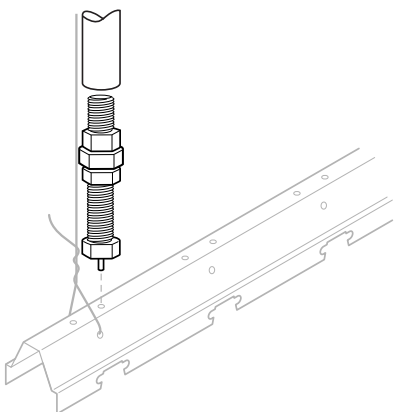
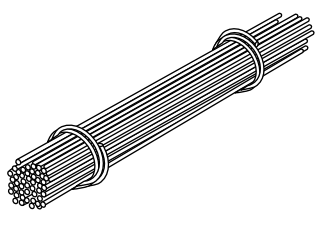
Components

<p>Pans</p>	<p>Paraline II Linear Pans</p> 	
<p>Suspension System</p>	<p>Symmetrical Carrier</p> 	<p>Expansion Carrier</p> 
	<p>Contraction Carrier</p> 	<p>Symmetrical Carrier Splice</p> 
	<p>U-2-3/32 Molding</p> 	

PARALINE® II

Components

Accessories

Hanger Reinforcement Clip 	U-2-3/32 Hold-Down Clips 
Paraline II Splice Plate 	90-Degree Paraline II Splice Plate 
Paraline II End Plug 	Compression Post Adapter 
12-Gauge Hanger Wire 	

PARALINE® II

Components

PACKAGING INFORMATION

	Product Description	Dimensions	Pcs./Ctn.
Pans	Paraline II pans, 3-1/4 in.	3-1/4 in. x 12 ft.	20 pcs./ctn.
Suspension System	Symmetrical carrier	12 ft.	10 pcs./ctn.
	Expansion carrier	12 ft.	10 pcs./ctn.
	Contraction carrier	12 ft.	10 pcs./ctn.
	Symmetrical carrier splice plates	6 in.	100 pcs./ctn.
	U-2-3/32 molding	12 ft.	Ordered by the piece
Accessories	Hanger reinforcement clips	1.83 in.	100 pcs./ctn.
	U-2-3/32 hold-down clips	10 in.	Ordered by the piece
	Splice plates, 3-1/4 in.	6 in.	100 pcs./ctn.
	90-degree splice plates	6.5 in.	100 pcs./ctn.
	End plugs	—	28 pcs./ctn.
	Compression post adapters	4 in.	20 pcs./ctn.
Accessories (by others)	12-gauge hanger wire	—	—
	EMT conduit	—	—

PARALINE® II

Exterior Installation

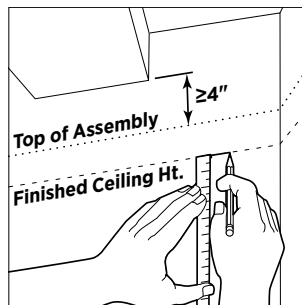
Step 1

Determine the ceiling height.

Refer to the construction documents to determine the finished ceiling height.

Allow clearance of at least 4 in. below the lowest pipe or beam to the top of the suspension system.

Note: Certain light fixtures may require additional clearance.

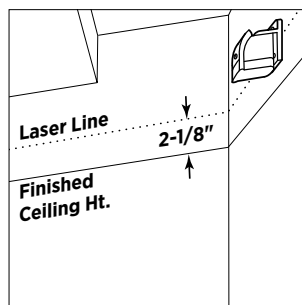


Step 2

Mark the ceiling height at the perimeter.

Mark the finished ceiling height and set your laser at 2-1/8 in. above the ceiling height to indicate the top of the U-2-3/32 perimeter molding.

Note: For seismic installations, use M20A perimeter molding at the finished ceiling height. Refer to the Seismic Perimeter Applications section in the *USG Exterior Ceiling Systems Guide*, SC2561.



PARALINE® II

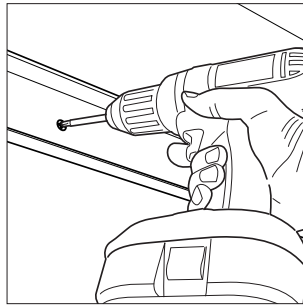
Exterior Installation

Step 3

Install perimeter trim.

Mechanically fasten the U-2-3/32 perimeter molding at each stud location or at a maximum of 24 in. on center intervals.

Note: The 7/8 in. leg of the U-2-3/32 perimeter molding shall be installed in the lower horizontal position.



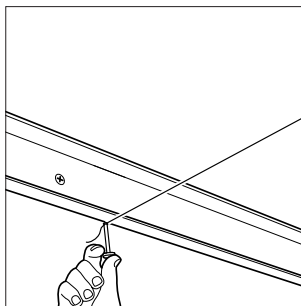
Step 4

Define the ceiling layout.

a. Locate the symmetrical carriers.

Refer to the construction documents for the specified wind load requirements. For symmetrical carrier spacing and layout, refer to the *USG Exterior Ceiling Systems Guide*, SC2561.

Install a string line at the location of the first symmetrical carrier, underneath the U-2-3/32 perimeter molding.



PARALINE® II

Exterior Installation

Step 4 (continued)

b. Determine the ceiling pan layout.

There should be equal pan sizes at the end of each layout. End pans should not be less than half the width of the pans (nominal 4 in.).

To determine the end pan sizes, take the ceiling dimension and divide by the nominal width of the pans. If the remainder is less than half the pan size, add one pan size and divide by 2.

Example: This formula determines the ceiling pan layout for 4 in. nominal width pans in a room with a ceiling dimension of 11 ft. 5 in.:

$$11 \text{ ft. } 5 \text{ in.} \div 4 \text{ in.} = 34 \text{ full pans with a } 1 \text{ in. remainder.}$$

$$1 \text{ in.} + 4 \text{ in.} = 5 \text{ in.}$$

$$5 \text{ in.} \div 2 = 2\text{-}1/2 \text{ in.}$$

This results in 33 full pans with 2-1/2 in. border pans.

Step 5

Locate the first full row of Paraline II linear metal pans.

Stretch a second string perpendicular to the symmetrical carrier string where you want to locate the first row of Paraline II pans. (See Figure A.) The Paraline II layout should have perimeter pans equal in width on opposite ends.

Both strings should be squared at their intersection to form a 90-degree angle. (See Figure B.) Verify accuracy by using the 3, 4, 5 triangle method. The suspension system must be square to function properly.

Tip: If the string lines need to be adjusted, move the strings toward the nearest wall.

Figure A

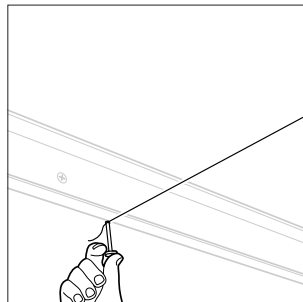
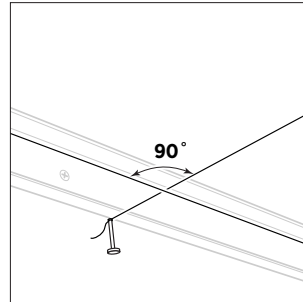


Figure B



PARALINE® II

Exterior Installation

Step 6

Install hanger wires.

Refer to the *USG Exterior Ceiling Systems Guide*, SC2561 for layout and spacing of hanger wires. Attach a hanger wire to the structure and then cut the wire 8 in. below the string line. (See Figure A.) The hanger wire must not be farther than 12 in. from any perimeter.

Tip: Use pliers to bend a 90-degree angle in all hanger wires at a point 7/8 in. above the perimeter molding. If the nearest hanger hole is not directly below the screw eye, adjust the hanger accordingly. (See Figure B.)

Figure A

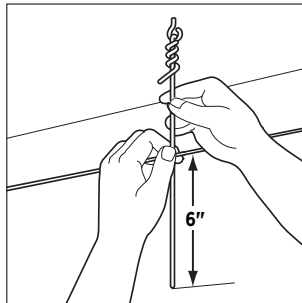
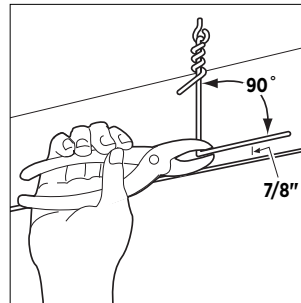


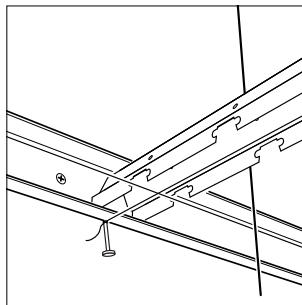
Figure B



Step 7

Install the first symmetrical carriers.

In each row, trim the symmetrical carriers at the wall so that the slots for the first row of pans line up at the string. Rest the cut end of the symmetrical carrier on the wall angle.



PARALINE® II

Exterior Installation

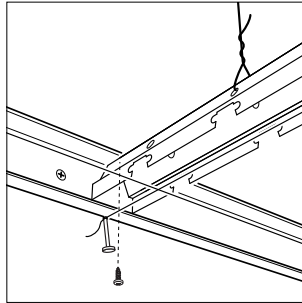
Step 8

Suspend symmetrical carriers.

- a. Center the symmetrical carrier above the string line.
- b. Place a hanger reinforcement clip at the hanger wire hole.
- c. Pull each hanger wire through the hole in the carrier.
- d. Adjust the height of the symmetrical carrier as needed, and make sure the system is level.
- e. Wrap the wire end securely around itself with three complete turns within 3 in. Ensure the remaining wire end is secured so that it does not interfere with the placement of other ceiling components.

Note: Some local jurisdictions require additional wire wraps. If uncertain of the local requirements, check with a local official prior to installing the suspended ceiling system.

- f. Use a framing screw to attach the symmetrical carrier to the upper leg of the U-2-3/32 perimeter molding on both ends. Install the remaining symmetrical carriers per the layouts and spacing detailed in the *USG Exterior Ceiling Systems Guide, SC2561*.



PARALINE® II

Exterior Installation

Step 9

Install compression posts.

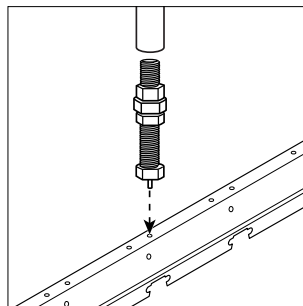
Refer to the *USG Exterior Ceiling Systems Guide*, SC2561 for layout, spacing, and type of compression posts.

USG compression posts or 3/4 in. conduit with the compression post adapter are both acceptable compression posts for these systems. Compression posts must be assembled prior to installation.

Using 3/4 in. EMT conduit, wedge the compression post adapter into the end of the conduit or USG compression post. At the opposite end, place a toe clip for attachment to the structure. Compression posts shall be installed beside each hanger wire. Insert the pin into the top of the carrier and rotate the adapter to apply tension to the hanger wire. Tighten the lock nut. Mechanically attach the top clip to the structure.

Repeat this installation every 24 in. along each symmetrical carrier with the first and last posts no farther than 12 in. from the perimeter.

Note: Paraline II compression post adapters must be purchased separately from USG compression posts. When used with symmetrical carriers, remove the compression posts' end plugs and replace them with Paraline II compression post adapters prior to installation.



PARALINE® II

Exterior Installation

Step 10

Install the Paraline II perimeter pans.

Mark the appropriate cut points onto a full pan. Cut the pans to width, as determined by step 4b, utilizing a circular saw with a high tooth count carbide tip blade. (See Figure A.)

Note: Cut the pans face up. Use care to avoid damaging the finish. For added protection, place a backer inside the pan before cutting, such as a 3/4 in. strip of wood.

Rotate all perimeter pans into place. Install U-2-3/32 hold-down clips every 24 in. along the perimeter. (See Figure B.)

Figure A

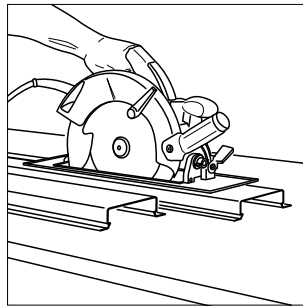
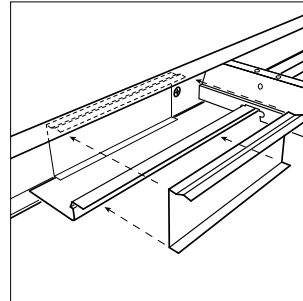


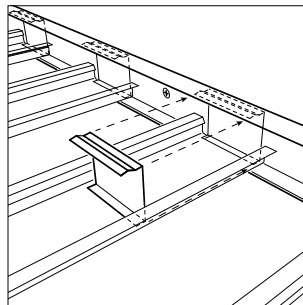
Figure B



Step 11

Install Paraline II field pans.

The remaining pans must be installed in alternate rows to allow for a point of access. Modify hold-down clips and install them on the ends of all the pans at the perimeter as each pan is installed. Paraline pan splices should be staggered in the system and located between symmetrical carriers.



LINEAR METAL CEILING SYSTEMS

Exterior Ceiling Applications

Paraline® Plus

DESCRIPTION

USG Paraline® Plus Linear Metal Pans combine a unique linear appearance with the strength and corrosion resistance of aluminum. USG Paraline Plus linear metal pans are supported by testing for a variety of installation requirements, including Miami-Dade NOA, for exterior applications with proper bracing and framing.

This guide outlines the design considerations, test results, and construction details for the installation of the USG Paraline Plus exterior ceiling system. USG exterior assemblies were tested per UL 580, UL 1897, TAS 202, and TAS 203, and listed in PEI Evaluation Report, PER-12055.

NOTES

Follow proper safety and industrial hygiene practices while handling and installing all products and systems. Take necessary precautions and wear appropriate personal protective equipment as needed. For product safety information and personal protective equipment recommendations review the safety data sheet. When removing or installing ceiling pans from grid, we recommend wearing a dust mask, cut-resistant gloves, and eye protection. Provide drop cloths to cover and protect furnishings below. When using a ladder or lift, follow the equipment manufacturer's precautions, instructions, and safety guidelines.

All ceiling products and systems must be installed and maintained in accordance with current USG written instructions and in compliance with ASTM C636, ASTM E580, CISCA, and standard industry practices.

Care must be taken to safeguard products from damage during delivery and while they are stored at the jobsite. The products must always be protected from vibration, chemical fumes, and direct contact with water both before and after installation.

PARALINE® PLUS

Components

Pans

Paraline Plus 3 in. pans are 3 in. exterior pans that snap onto the Paralock Plus carrier main tee. These pans have a 1 in. depth and are 12 ft. in length.

Paraline Plus 7 in. pans are 7 in. exterior pans that snap onto the Paralock Plus carrier main tee. These pans have a 1 in. depth and are 12 ft. in length.

Paraline Plus 11 in. pans are 11 in. exterior pans that snap onto the Paralock Plus carrier main tee. These pans have a 1 in. depth and are 12 ft. in length.

Suspension System

Paralock Plus main tees are the main tees for this system. They can be used for both exterior and interior construction. The standard length is 10 ft.

ZXLA 424 cross tees are zinc-coated exterior 4 ft. cross tees.

ZXLA 224 cross tees are zinc-coated exterior 2 ft. cross tees.

U-2-5/8 channel moldings are aluminum exterior channel moldings with a standard length of 12 ft.

Accessories

U-2-5/8 hold-down clips are perimeter hold-down clips with a standard length of 10 in.

Snap-Loc inserts are aluminum, convex recessed or monolithic 1 in. inserts that snap in place between Paraline Plus pans. The standard length is 12 ft.

Paraline Plus 3 in. splice plates are used to connect two abutting Paraline Plus 3 in. pans.

Paraline Plus 7 in. splice plates are used to connect two abutting Paraline Plus 7 in. pans.

Paraline Plus 11 in. splice plates are used to connect two abutting Paraline Plus 11 in. pans.

90-degree Paraline Plus splice plates are used to connect two intersecting Paraline Plus pans to reinforce a 90-degree corner.

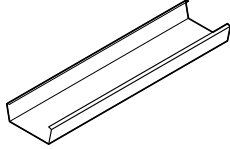
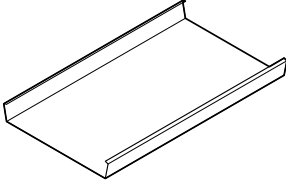
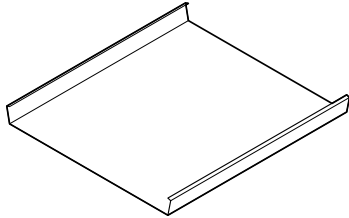
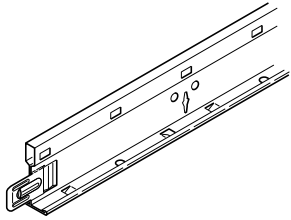
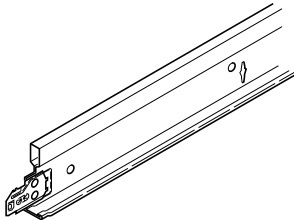
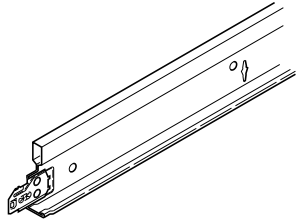
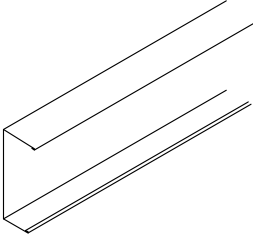
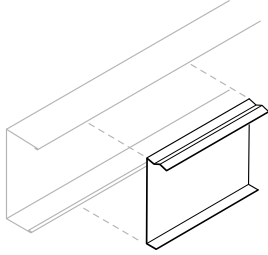
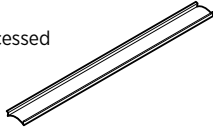
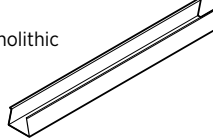
Paraline Plus end plugs are used to finish the ends of Paraline Plus pans.

12-gauge hanger wires are a common building product used to suspend acoustical, drywall, and specialty ceilings. They are galvanized for corrosion resistance.

Compression posts are rigid metal supports attached to the Paralock Plus main tees at each hanger wire location and to the building structure. Compression posts prevent upward movement and are required by code.

PARALINE® PLUS

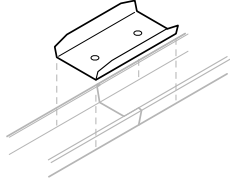
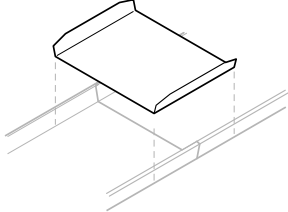
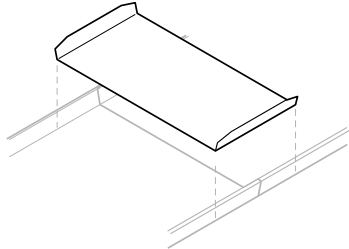
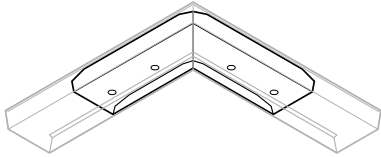
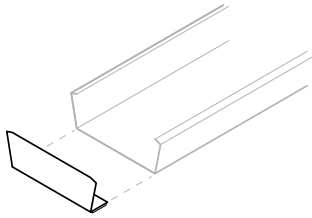
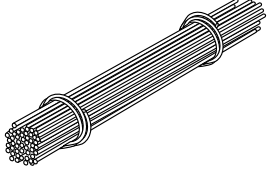
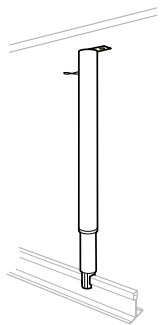
Components

Pans	Paraline Plus 3 in. Pan	Paraline Plus 7 in. Pan
		
	Paraline Plus 11 in. Pan	
		
Suspension System	Paralock Plus Main Tee	ZXLA 424 Cross Tee
		
	ZXLA 224 Cross Tee	U-2-5/8 Channel Molding
		
Accessories	U-2-5/8 Hold-Down Clip	Snap-Loc Insert
		<p>Recessed </p> <p>Monolithic </p>

PARALINE® PLUS

Components

Accessories (continued)

Paraline Plus 3 in. Splice Plate	Paraline Plus 7 in. Splice Plate
	
Paraline Plus 11 in. Splice Plate	90-Degree Splice Plate
	
Paraline Plus End Plug	12-Gauge Hanger Wire
	
Compression Post	
	

PARALINE® PLUS

Components

PACKAGING INFORMATION

	Product Description	Dimensions	Pcs./Ctn.
Pans	Paraline Plus pans, 3 in. (96 sf/ctn.)	3 in. x 12 ft.	24 pcs./ctn.
	Paraline Plus pans, 7 in. (64 sf/ctn.)	7 in. x 12 ft.	8 pcs./ctn.
	Paraline Plus pans, 11 in.	11 in. x 1 in. x 12 ft.	Ordered by the piece
Suspension System	Paralock Plus main tees	10 ft.	24 pcs./ctn.
	ZXLA224	2 ft.	60 pcs./ctn.
	ZXLA424	4 ft.	60 pcs./ctn.
	U-2-5/8	12 ft.	Ordered by the piece
Accessories	U-2-5/8 hold-down clips	10 in.	Ordered by the piece
	Recessed Snap-Loc inserts	1 in. x 12 ft.	48 pcs./ctn.
	Monolithic Snap-Loc inserts	1 in. x 12 ft.	Ordered by the piece
	Splice plates, 3 in.	6 in.	50 pcs./ctn.
	Splice plates, 7 in.	6 in.	50 pcs./ctn.
	Splice plates, 11 in.	6 in.	Ordered by the piece
	90-degree splice plates	9 in.	Ordered by the piece
	Paraline Plus end plugs	—	50 pcs./ctn.
Accessories (by others)	12-gauge hanger wire	—	—
	Compression post	—	—

PARALINE® PLUS

Exterior Installation

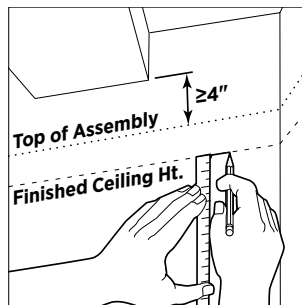
Step 1

Determine the finished ceiling height.

Refer to the project documents to determine the finished ceiling height.

Allow clearance of at least 4 in. below the lowest pipe or beam to the top of the suspension system.

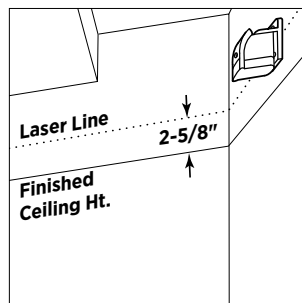
Note: Certain light fixtures may require additional clearance.



Step 2

Mark the ceiling height at the perimeter.

Mark the finished ceiling height and set your laser at 2-5/8 in. above the ceiling height to indicate the top of the U-2-5/8 perimeter molding.



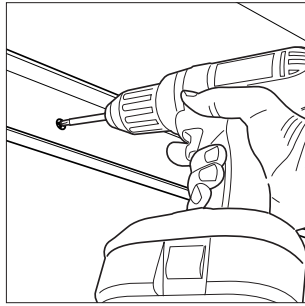
PARALINE® PLUS

Exterior Installation

Step 3

Install perimeter molding.

Mechanically fasten the U-2-5/8 perimeter molding at each stud location or at a maximum of 24 in. on center intervals.



Note: The 7/8 in. leg of the U-2-5/8 perimeter molding shall be installed in the lower horizontal position.

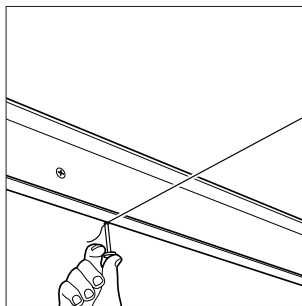
Step 4

Define the ceiling layout.

a. Locate the Paralock Plus main tees.

Refer to the construction documents for the specified wind load requirements. For Paralock Plus main tee spacing and layout, refer to the *USG Exterior Ceiling Systems Guide, SC2561*.

Install a string line at the location of the first Paralock Plus main tee, underneath the U-2-5/8 perimeter molding.



PARALINE® PLUS

Exterior Installation

Step 4 (continued)

b. Determine the ceiling pan layout.

There should be equal pan sizes at the end of each layout. The end pan should not be less than half the width of the pan (nominal 4 in., 8 in., and 12 in.).

To determine the end pan sizes, take the ceiling dimension and divide by the nominal width of the pans. If the remainder is less than half the pan size, add one pan size and divide by 2.

Example: This formula determines the ceiling pan layout for 4 in. nominal width pans in a room with a ceiling dimension of 11 ft. 5 in.:

$$11 \text{ ft. } 5 \text{ in.} \div 4 \text{ in.} = 34 \text{ full pans with a } 1 \text{ in. remainder.}$$

$$1 \text{ in.} + 4 \text{ in.} = 5 \text{ in.}$$

$$5 \text{ in.} \div 2 = 2\text{-}1/2 \text{ in.}$$

This results in 33 full pans with 2-1/2 in. border pans.

Step 5

Locate cross tees.

Stretch a string perpendicular to the main tee strings to mark the first row of cross tees only. (See Figure A.) The Paralock Plus main tee is equipped with pre-punched slots for aligning the remaining cross tees.

Both strings should be squared at their intersection to form a 90-degree angle. (See Figure B.) Verify accuracy by using the 3, 4, 5 triangle method. The suspension system must be square to function properly.

Tip: If the string lines need to be adjusted, move the strings toward the nearest wall.

Figure A

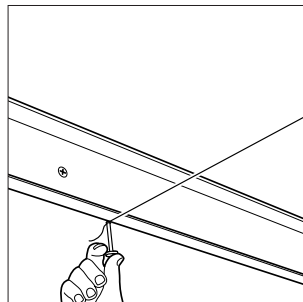
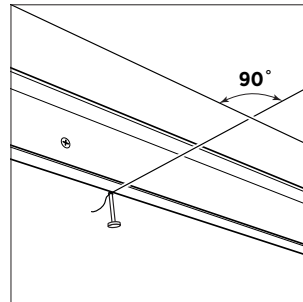


Figure B



PARALINE® PLUS

Exterior Installation

Step 6

Install hanger wires.

Refer to the *USG Exterior Ceiling Systems Guide*, SC2561 for layout and spacing of hanger wires. Attach a hanger wire to the structure and then cut the wire 6 in. below the string line. (See Figure A.) The hanger wire must not be farther than 12 in. from any perimeter.

Note: For Miami-Dade applications, refer to the anchorage details section in the *USG Exterior Ceiling Systems Guide*, SC2561.

Tip: Use pliers to bend a 90-degree angle in all hanger wires at a point 3/4 in. above the perimeter molding. If the nearest hanger hole is not directly below the screw eye, adjust the hanger accordingly. (See Figure B.)

Figure A

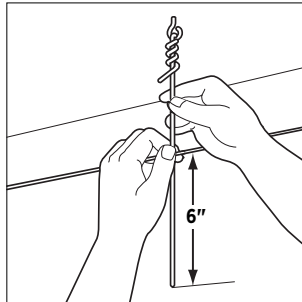
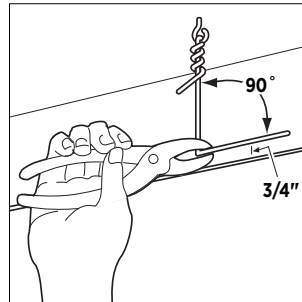


Figure B



PARALINE® PLUS

Exterior Installation

Step 7

Install main tees.

a. Install the first Paralock main tees.

Center the Paralock Plus main tee above the string line, and then pull each hanger wire through the holes in the carriers. In each row, trim the Paralock Plus main tee at the wall so that the slots for the first cross tees line up at the string line. Rest the cut end of the Paralock Plus main tee on the wall angle. (See Figure A.)

b. Secure the Paralock Plus main tees and attach them to the U-2-5/8 perimeter molding.

Adjust the height of the Paralock Plus main tee as needed, and make sure the system is level. Then, wrap the wire end securely around itself with three complete turns within 3 in.

Ensure the remaining wire end is secured so that it does not interfere with the placement of other ceiling components.

Note: Some local jurisdictions require additional wire wraps. If uncertain of the local requirements, check with a local official prior to installing the suspended ceiling system.)

Use a framing screw to attach the Paralock Plus main tee to the U-2-5/8 perimeter molding by installing a framing screw through the top leg of the U-2-5/8 perimeter molding into the top of the Paralock Plus main tee. (See Figure B.)

Figure A

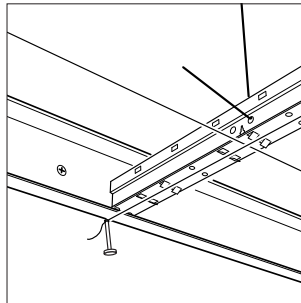
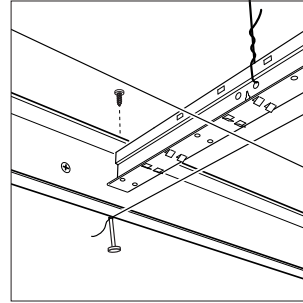


Figure B



PARALINE® PLUS

Exterior Installation

Step 8

Install cross tees.

a. Install the first row of ZXLA cross tees.

Center the ZXLA cross tees above the string line. In each row, trim the ZXLA cross tees at the wall so that the tees line up at the string line. Rest the cut end of the cross tees on the wall angle. (See Figure A.)

b. Attach cross tees to the U-2-5/8 perimeter molding.

Use a framing screw to attach the ZXLA cross tees to the U-2-5/8 perimeter molding by installing a framing screw through the top leg of the U-2-5/8 perimeter molding into the top of the ZXLA cross tee. (See Figure B.)

Figure A

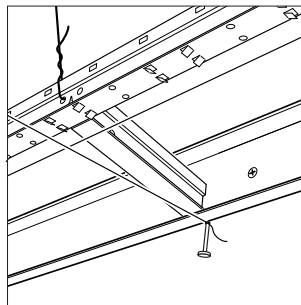
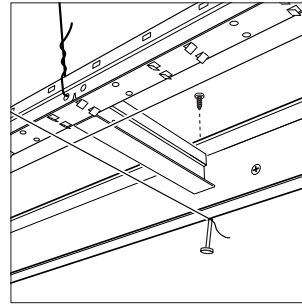


Figure B

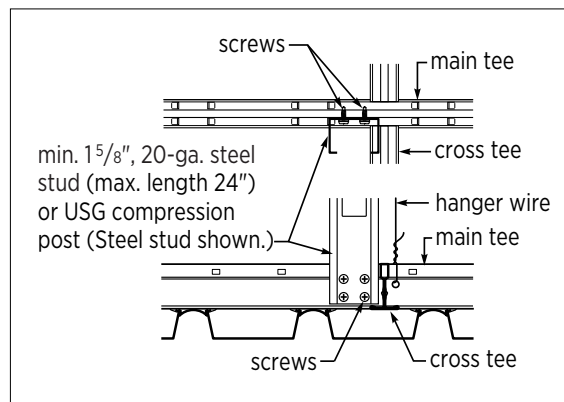


Step 9

Install compression posts.

Refer to the *USG Exterior Ceiling Systems Guide, SC2561* for layout, spacing, and type of compression posts.

Note: If a light-gauge framing member is used as a compression post, it must be attached to the main tee with at least four #8 screws. Install the framing member so that it is flush with the back side of the face of the main tee, as shown below.



PARALINE® PLUS

Exterior Installation

Step 10

Install the Paraline Plus perimeter pans.

- a. Mark the appropriate cut points onto a full pan. Cut the pans to width, as determined by step 4b, utilizing a circular saw with a high tooth count carbide tip blade. (See Figure A.)

Note: Cut the pans face up. Use care to avoid damaging the finish. For added protection, place a backer inside the pan before cutting, such as a 1 in. strip of wood.

- b. Rotate all perimeter pans into place. Install U-2-5/8 hold-down clips every 24 in. along the perimeter pans. (See Figure B.)

Figure A

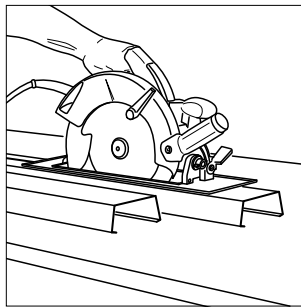
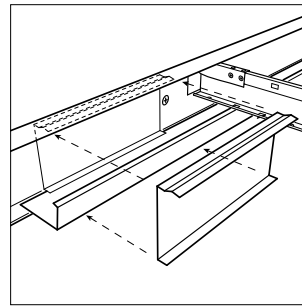


Figure B



Step 11

Install field pans.

- a. **Install Paraline Plus field pans.**

Install the field pans progressively. Paraline Plus pan splices should be staggered in the system and located between Paralock Plus carriers. (See Figure A.)

- b. **Install hold-down clips on field pans.**

Paraline Plus pans requires U-2-5/8 hold-down clips on each end of the field pans. Hold-down clips will need to be cut to length. (See Figure B.)

Figure A

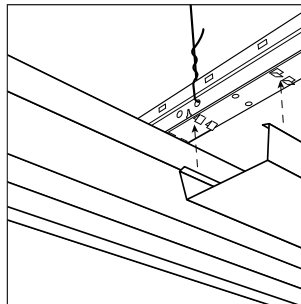
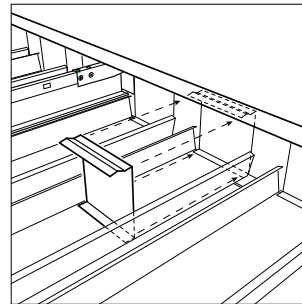


Figure B



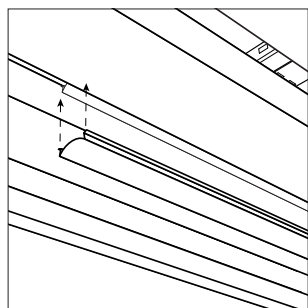
PARALINE® PLUS

Exterior Installation

Step 12

Install Snap-Loc inserts.

Snap-Loc inserts are installed between all Paraline Plus linear pans.



Page 28 is intentionally left blank.

METAL PANEL CEILING SYSTEMS

Exterior Ceiling Applications

Celebration™ Snap-In

DESCRIPTION

USG Celebration™ Snap-In Metal Panels combine a unique, monolithic appearance with the hidden strength and corrosion resistance of aluminum. Celebration Snap-In metal panels are supported by testing for a variety of installation requirements, including Miami-Dade NOA, for exterior applications with proper bracing and framing.

This guide outlines the design considerations, test results, and construction details for the installation of the USG Celebration Snap-In metal panels exterior ceiling system. USG exterior assemblies were tested per UL 580, UL 1897, TAS 202, and TAS 203, and listed in PEI Evaluation Report, PER-12055.

NOTES

Follow proper safety and industrial hygiene practices while handling and installing all products and systems. Take necessary precautions and wear appropriate personal protective equipment as needed. For product safety information and personal protective equipment recommendations review the safety data sheet. When removing or installing ceiling panels from grid, we recommend wearing a dust mask, cut-resistant gloves, and eye protection. Provide drop cloths to cover and protect furnishings below. When using a ladder or lift, follow the equipment manufacturer's precautions, instructions, and safety guidelines.

All ceiling products and systems must be installed and maintained in accordance with current USG written instructions and in compliance with ASTM C636, ASTM E580, CISCA, and standard industry practices.

Care must be taken to safeguard products from damage during delivery and while they are stored at the jobsite. The products must always be protected from vibration, chemical fumes, and direct contact with water both before and after installation.

CELEBRATION™ SNAP-IN

Components

Panels

Field panels are located in the field of the ceiling, not on the perimeter.

Perimeter panels are located on the edge or perimeter of the room. They may need to be cut.

Suspension System

DXFEV main tees are slotted grid systems with G90 galvanization and a standard length of 12 ft.

DXFEV 4 ft. cross tees are slotted grid systems with G90 galvanization.

DXFEV 2 ft. cross tees are slotted grid systems with G90 galvanization.

U-2-3/32 channel moldings are aluminum exterior channel molds with a standard length of 12 ft.

Accessories

U-2-3/32 hold-down clips are perimeter clips with a standard length of 10 in.

Arrowhead reveal spacers come in 25 ft. and 100 ft. rolls and are installed adjacent to cut perimeter panels or when field panels are installed adjacent to light fixtures.

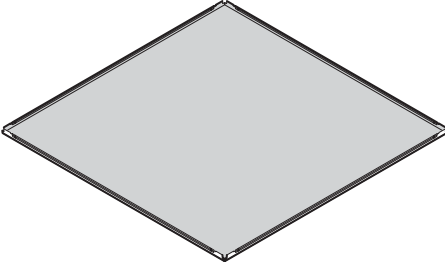
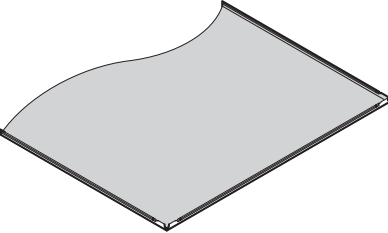
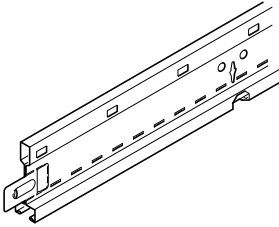
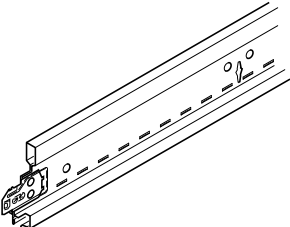
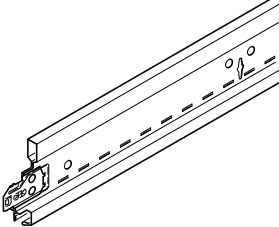
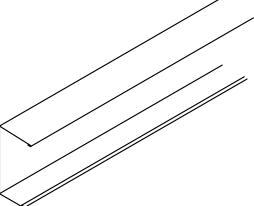
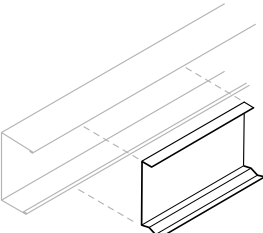
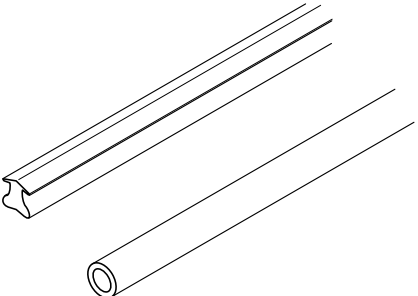
Round reveal spacers come in 100 ft. rolls and are installed adjacent to air diffusers or light fixtures.

12-gauge hanger wires are a common building product used to suspend acoustical, drywall, and specialty ceilings. They are galvanized for corrosion resistance.

Compression posts are rigid metal supports attached to the main tees, at each hanger wire location, and to the building structure. Compression posts prevent upward movement and are required by code.

CELEBRATION™ SNAP-IN

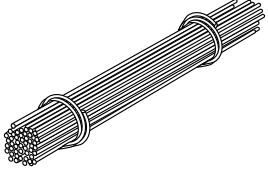
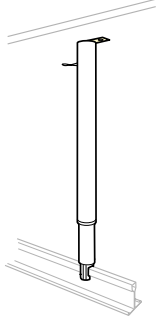
Components

Panels	Field Panel 	Perimeter Panel 
Suspension System	DXFEV Main Tee 	DXFEV 4 ft. Cross Tee 
	DXFEV 2 ft. Cross Tee 	U-2-3/32 Channel Molding 
Accessories	U-2-3/32 Hold-Down Clip 	Arrowhead and Round Reveal Spacer 

CELEBRATION™ SNAP-IN

Components

Accessories
(continued)

12-Gauge Hanger Wire	Compression Post
	

CELEBRATION™ SNAP-IN

Components

PACKAGING INFORMATION

	Product Description	Dimensions	Pcs./Ctn.
Panels	Celebration Snap-In Panels	2 ft. x 2 ft.	10 pcs./ctn. (unless crated)
		2 ft. x 4 ft.	Ordered by the piece
		2 ft. x 6 ft.	Ordered by the piece
		2 ft. x 8 ft.	Ordered by the piece
		4 ft. x 4 ft.	Ordered by the piece
		30 in. x 30 in.	Ordered by the piece
		30 in. x 60 in.	Ordered by the piece
Suspension System	DXFEV2924 main tee	12 ft.	20 pcs./ctn.
	DXFEV2930 main tee	10 ft.	20 pcs./ctn.
	DXFEV229 cross tee	2 ft.	50 pcs./ctn.
	DXFEV429 cross tee	4 ft.	50 pcs./ctn.
	DXFEV30 cross tee	30 in.	50 pcs./ctn.
	U-2-3/32 channel molding	12 ft.	30 pcs./ctn.
Accessories	U-2-3/32 hold-down clips	10 in.	Ordered by the piece
	Arrowhead reveal spacers, White	100 ft. roll	100 ft./ctn.
		25 ft. roll	25 ft./ctn.
	Arrowhead reveal spacers, Black	100 ft. roll	100 ft./ctn.
		25 ft. roll	25 ft./ctn.
	Round reveal spacers, White	100 ft. roll	100 ft./ctn.
Round reveal spacers, Black	100 ft. roll	100 ft./ctn.	
Accessories (by others)	12-gauge hanger wires	—	—
	Compression posts	—	—

CELEBRATION™ SNAP-IN

Exterior Installation

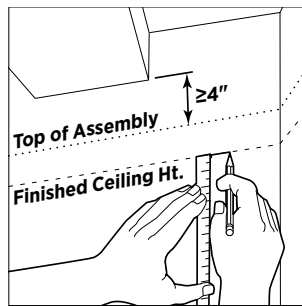
Step 1

Determine the finished ceiling height.

Refer to the project documents to determine the finished ceiling height.

Allow clearance of at least 4 in. below the lowest pipe or beam to the top of the suspension system. Snap a chalk line $\frac{3}{4}$ in. above the desired ceiling height.

Note: Certain light fixtures may require additional clearance.

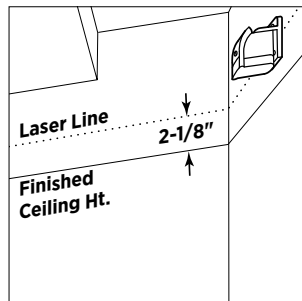


Step 2

Mark the ceiling height at the perimeter.

Mark the finished ceiling height and set your laser at $2\text{-}\frac{1}{8}$ in. above the ceiling height to indicate the top of the U-2-3/32 perimeter molding.

Note: For seismic installations, use M7Z perimeter molding with ACM7 clips at the finished ceiling height. Refer to the Seismic Perimeter Applications section in the *USG Exterior Ceiling Systems Guide*, SC2561.



CELEBRATION™ SNAP-IN

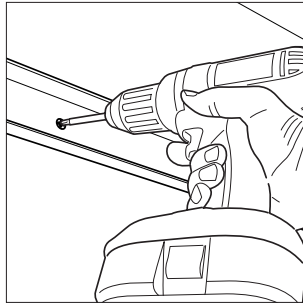
Exterior Installation

Step 3

Install perimeter molding.

Mechanically fasten the U-2-3/32 perimeter molding at each stud location or at a maximum of 24 in. on center intervals.

Note: The 7/8 in. leg of the U-2-3/32 perimeter molding shall be installed in the lower horizontal position.

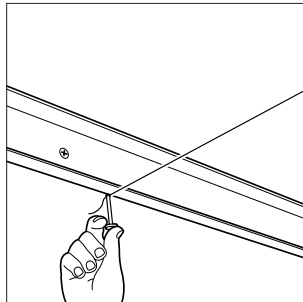


Step 4

Locate the main tees.

Refer to the construction documents for the specified wind load requirements. For main tee spacing and layout, refer to the *USG Exterior Ceiling Systems Guide, SC2561*.

Install a string line at the location of the first main tee, underneath the U-2-3/32 perimeter molding.



CELEBRATION™ SNAP-IN

Exterior Installation

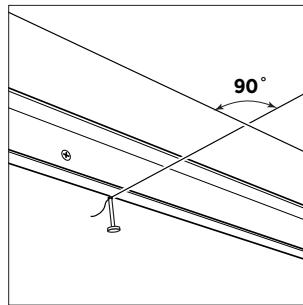
Step 5

Locate cross tees.

Stretch a string perpendicular to the main tee strings to mark the first row of cross tees only. Main tees are equipped with pre-punched slots for aligning the remaining cross tees.

Both strings should be squared at their intersection to form a 90-degree angle. Verify accuracy by using the 3, 4, 5 triangle method. The suspension system must be square to function properly.

Tip: If the string lines need to be adjusted, move the strings toward the nearest wall.



Step 6

Install hanger wires.

Refer to the *USG Exterior Ceiling Systems Guide, SC2561* for layout and spacing of hanger wires. Attach a hanger wire to each lag screw and then cut the wire 6 in. below the string line. (See Figure A.) The hanger wire must not be farther than 12 in. from any perimeter.

Note: For Miami-Dade applications, refer to the anchorage details section in the *USG Exterior Ceiling Systems Guide, SC2561*.

Tip: Use pliers to bend a 90-degree angle in all hanger wires at a point 7/8 in. above the perimeter molding. (See Figure B.) If the nearest hanger hole is not directly below the screw eye, adjust the hanger accordingly.

Figure A

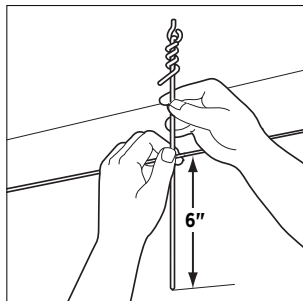
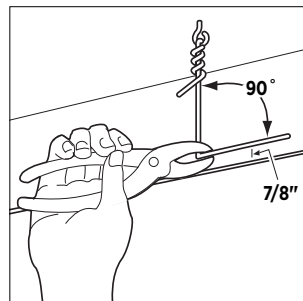


Figure B



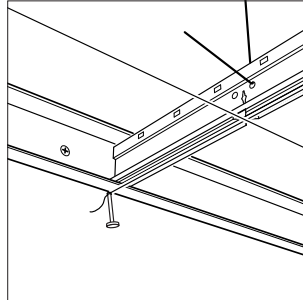
CELEBRATION™ SNAP-IN

Exterior Installation

Step 7

Install the first main tees.

In each row, trim the first main tee at the wall so that the slots for the first row of cross tees line up at the string. Rest the cut end of the main tee on the wall angle.



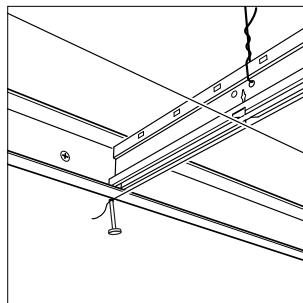
Step 8

Suspend main tees.

Pull each hanger wire through a hanger hole located at the cross tee slots of the main tee and bend up. Adjust the height of the main tees as needed, and make sure the system is level. Then, wrap the wire end securely around itself with three complete turns within 3 in.

Ensure the remaining wire end is secured so that it does not interfere with the placement of other ceiling components.

Note: Some local jurisdictions require additional wire wraps. If uncertain of the local requirements, check with a local official prior to installing the suspended ceiling system.



CELEBRATION™ SNAP-IN

Exterior Installation

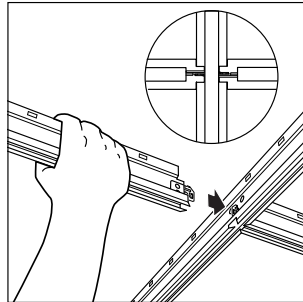
Step 9

Install cross tees.

After the main tees are hung, install the cross tees. Push a cross tee end through the main tee slot until you hear a “click.”

Where two cross tees intersect in the same slot, ensure that the second tee is inserted to the left of the first.

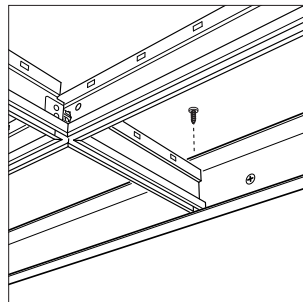
The grid system should be checked periodically to ensure the system is square during the installation of the cross tees.



Step 10

Secure perimeter tees.

Secure all perimeter tees to the wall molding by installing framing screws through the top leg of the wall molding into the bulb of the suspension system tees.



CELEBRATION™ SNAP-IN

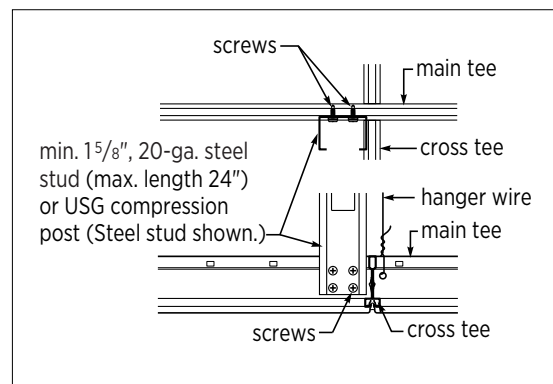
Exterior Installation

Step 11

Install compression posts.

Refer to the *USG Exterior Ceiling Systems Guide*, SC2561 for layout, spacing, and type of compression posts.

Note: If a light-gauge framing member is used as a compression post, it must be attached to the main tee with at least four #8 screws. Install the framing member so that it is flush with the back side of the face of the main tee, as shown below.



CELEBRATION™ SNAP-IN

Exterior Installation

Step 12

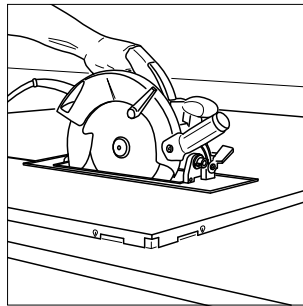
Cut perimeter panels.

Measure the perimeter panel dimension from the back of the wall molding to the inside leg of the Fineline® box. Mark the appropriate cut points onto a full panel. Cut the panels utilizing a circular saw with a high tooth count carbide tip blade.

To prevent deflection in the panel during the cutting process, place a 2 ft. x 2 ft. acoustical panel or piece of drywall inside the panel before cutting.

Note: Cut the panels face up. Use care to avoid damaging the finish.

Note: Celebration panels shall be installed in a one-direction pattern. A line on the back of each panel marks the direction of the grain in the material. To install these panels in a one-direction pattern, make sure all the lines are pointing in the same direction. This will ensure that you will get an even shade of ceiling throughout the entire area. If you install with the grain going one direction and then the other directions, you will get a checkerboard effect (light and dark areas) on your ceiling.



CELEBRATION™ SNAP-IN

Exterior Installation

Step 13

Install perimeter panels.

Panel installation should begin with the corner pieces followed by the perimeter panels starting from both sides of each corner.

Perimeter panels are installed by first placing the cut end of the perimeter piece on top of the lower leg of the perimeter molding and then pushing the remaining panel edge into the DXFEV suspension system.

Place one U-2-3/32 hold-down clip along the edge of each linear foot of perimeter panel. (See Figures A and B.)

Figure A

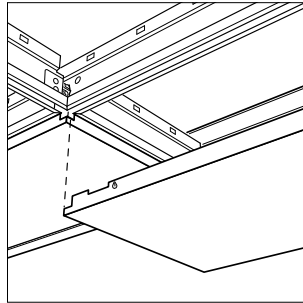
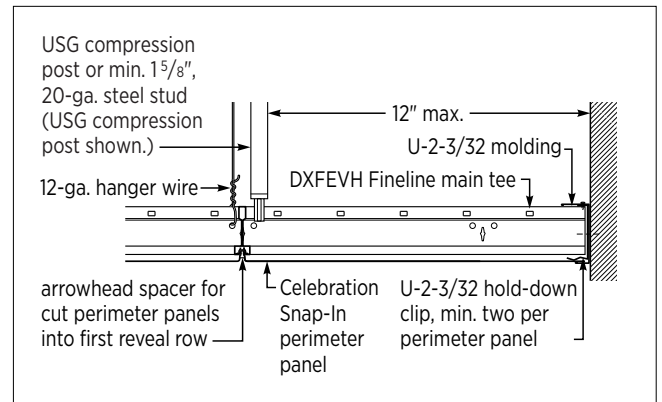


Figure B



Step 14

Install field panels.

To install the field panels, place each panel onto the flange of the grid. (See Figure A.) Then, press along the panel edge to lock it into place. (See Figure B.) This could take some effort, but remember to only press on the outer edge of the panel to prevent damage. Do not press on the panel face.

Note: USG Celebration Snap-In panels cannot be installed across a main tee or a 4 ft. cross tee.

Figure A

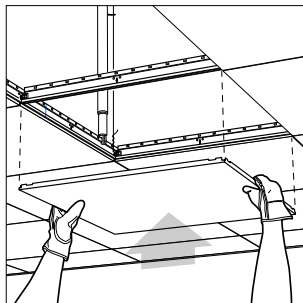
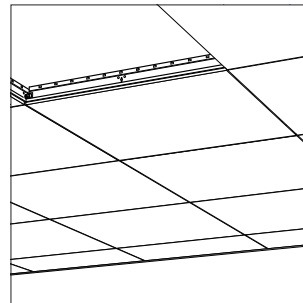


Figure B



CELEBRATION™ SNAP-IN

Exterior Installation

Step 15

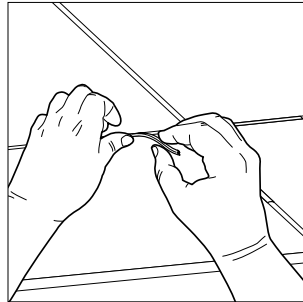
Install reveal spacers.

For a field panel installed adjacent to a cut perimeter panel, insert a 4 in. length of arrowhead reveal spacers into the channel at each corner.

For a field panel installed adjacent to an air diffuser or light fixture, insert a 4 in. length of round reveal spacers into the channel at each corner.

Repeat this process for each panel until all the spacers have been installed.

Note: Use a special cold environment arrowhead reveal spacer when installing Celebration Snap-In ceiling systems in environments where the temperature may drop below 5 degrees Fahrenheit (-15 degrees Celsius). The cold environment spacer is available in 250 LF rolls and can be purchased through RTQ. Please contact customer service for more information.



METAL PANEL CEILING SYSTEMS

Exterior Ceiling Applications

Celebration™ Torsion Spring

DESCRIPTION

USG Celebration™ Torsion Spring panels combine a unique, monolithic appearance with the hidden strength and corrosion resistance of aluminum. Celebration Torsion Spring panels are supported by testing for a variety of installation requirements, including Miami-Dade NOA, for exterior applications with proper bracing and framing.

This guide outlines the design considerations, test results, and construction details for the installation of the USG Celebration exterior ceiling system. USG exterior assemblies were tested per UL 580, UL 1897, TAS 202, and TAS 203, and listed in PEI Evaluation Report, PER-12055.

NOTES

Follow proper safety and industrial hygiene practices while handling and installing all products and systems. Take necessary precautions and wear appropriate personal protective equipment as needed. For product safety information and personal protective equipment recommendations review the safety data sheet. When removing or installing ceiling panels from grid, we recommend wearing a dust mask, cut-resistant gloves, and eye protection. Provide drop cloths to cover and protect furnishings below. When using a ladder or lift, follow the equipment manufacturer's precautions, instructions, and safety guidelines.

All ceiling products and systems must be installed and maintained in accordance with current USG written instructions and in compliance with ASTM C636, ASTM E580, CISCA, and standard industry practices.

Care must be taken to safeguard products from damage during delivery and while they are stored at the jobsite. The products must always be protected from vibration, chemical fumes, and direct contact with water both before and after installation.

CELEBRATION™ TORSION SPRING

Components

Panels

Celebration Torsion Spring panels are used in aluminum ceiling systems installed with torsion springs fixed to the panels, which are inserted into engineered slots underneath the suspension.

Field panels are installed in the field of the ceiling layout, not on the perimeter.

Perimeter panels are installed on the edge or perimeter of the room. They may be cut to length.

Suspension System

ZXLA26 are 12 ft., heavy duty main tees made of G90 hot-dipped galvanized steel with aluminum caps, baked-on polyester paint, and a stainless steel clip for increased corrosion protection.

TSCT22ZX are 2 ft. cross tees made of G90 hot-dipped galvanized steel with aluminum caps, baked-on polyester paint, and a stainless steel clip for increased corrosion protection.

TSCT44ZX are 4 ft. cross tees made of G90 hot-dipped galvanized steel with aluminum caps, baked-on polyester paint, and a stainless steel clip for increased corrosion protection.

TSCT66ZX are 6 ft. cross tees made of G90 hot-dipped galvanized steel with aluminum caps, baked-on polyester paint, and a stainless steel clip for increased corrosion protection.

M7Z are 12 ft. wall moldings made of hot-dipped galvanized steel.

CTS15AL are 10 ft. aluminum F-molds for use specifically with Celebration Torsion Spring systems to eliminate the need for double rows of M7Z.

Accessories

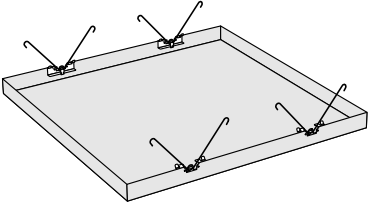
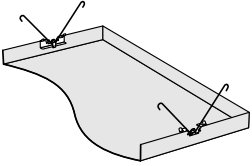
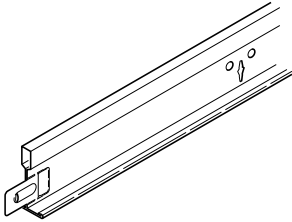
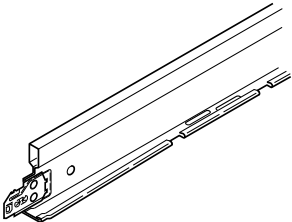
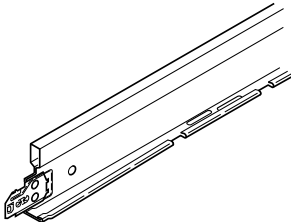
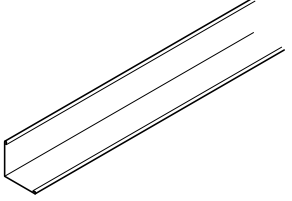
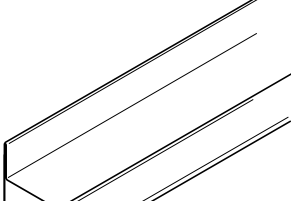
Compression posts are rigid metal supports attached to the ZXLA26 main tees at each hanger wire location and to the building structure. Compression posts prevent upward movement and are required by code.

Hanger wires are a minimum 12-gauge galvanized, annealed wire used to support suspended ceiling systems from the structure.

T15 hold-down clips are perimeter hold-down clips used to press cut perimeter panels firmly into the lower leg of the wall molding.

CELEBRATION™ TORSION SPRING

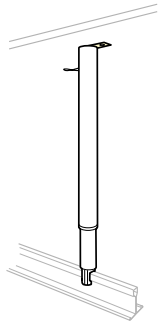
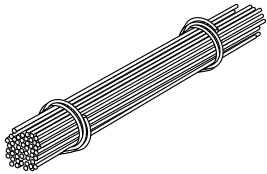
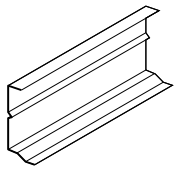
Components

Panels	Torsion Spring Field Panel 	Torsion Spring Perimeter Panel 
	Suspension System	ZXLA26 
TSCT44ZXA 		TSCT66ZXA 
M7Z 		CTS15AL F-Molding 

CELEBRATION™ TORSION SPRING

Components

Accessories

Compression Post	Hanger Wire
	
T15 Hold-Down Clip	
	

CELEBRATION™ TORSION SPRING

Components

PACKAGING INFORMATION

	Product Description	Dimensions	Pcs./Ctn.
Panels	Celebration Torsion Spring Panels	2 ft. x 2 ft.	Ordered by the piece
		2 ft. x 4 ft.	Ordered by the piece
		2 ft. x 6 ft.	Ordered by the piece
		2 ft. x 8 ft.	Ordered by the piece
		4 ft. x 4 ft.	Ordered by the piece
Suspension System	ZXLA26	12 ft.	20 pcs./ctn.
	TSCT22ZX	2 ft.	60 pcs./ctn.
	TSCT44ZX	4 ft.	60 pcs./ctn.
	TSCT66ZX	6 ft.	20 pcs./ctn.
	M7Z	12 ft.	40 pcs./ctn.
	CTS15AL F-molding	10 ft.	Ordered by the piece
Accessories	T15 hold-down clip	10 in.	100 pcs./ctn.
Accessories (by others)	12-gauge hanger wire	—	—
	Compression post	—	—

CELEBRATION™ TORSION SPRING

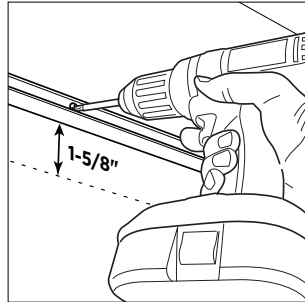
Exterior Installation

Celebration Torsion Spring ceilings need a minimum clearance of 6-3/4 in. from the lowest point in the ceiling to allow for the springs, suspension, and panels.

Step 1

Install the upper row of M7Z wall molding.

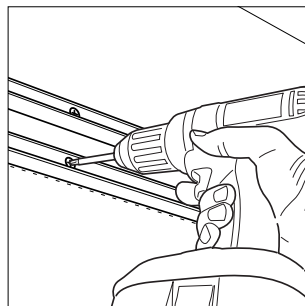
Install the upper row of M7Z wall molding around the perimeter so that the horizontal leg is 1-5/8 in. above the desired ceiling height. Mechanically fasten the wall angle at the stud locations. This wall angle will support the ZXLA torsion spring suspensions.



Step 2

Install the lower row of M7Z wall molding.

Install the lower row of M7Z wall molding around the perimeter so that the horizontal leg is at the desired ceiling height. Mechanically fasten the wall angle at the stud locations. This wall angle will support the Celebration Torsion Spring panels.



CELEBRATION™ TORSION SPRING

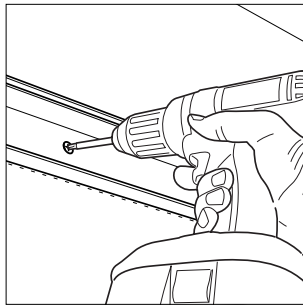
Exterior Installation

Steps 1–2
Alternate
continued

Alternate Installation Method to Installing Two Rows of M7Z Wall Molding

Install CTS15AL F-molding.

Install Celebration Torsion Spring F-molding around the perimeter so that the lower leg of the F-molding is at the desired ceiling height. Mechanically fasten the F-molding at the stud locations. This F-molding will support both the ZXLA torsion spring suspension and Celebration Torsion Spring panels.



Step 3

Install a jet line.

- a. Install a jet line at the location of the first row of main tees. (See Figure A.)
- b. Install a jet line at the location of the first row of cross tees.
- c. Ensure that the jet lines are perfectly square to one another. (See Figure B.)

Figure A

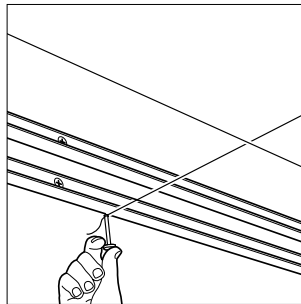
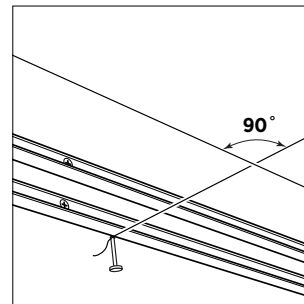


Figure B



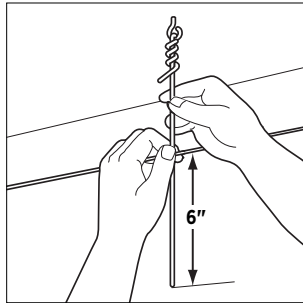
CELEBRATION™ TORSION SPRING

Exterior Installation

Step 4

Determine the main tee and hanger wire spacing.

Refer to the *USG Exterior Ceiling Systems Guide*, SC2561 for layout and spacing of hanger wires. Attach a hanger wire to the structure and then cut the wire 6 in. below the string line.



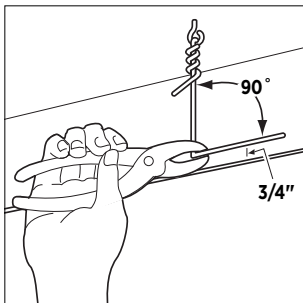
Step 5

Install hanger wires.

Use pliers to bend a 90-degree angle in all hanger wires at a point $\frac{3}{4}$ in. above the upper wall molding or the F-molding's horizontal leg. The pre-bends should be 2- $\frac{3}{8}$ in. from the finished ceiling height.

If the nearest hanger hole is not directly below the screw eye, adjust the hanger accordingly. The hanger wire must not be farther than 12 in. from any perimeter.

Note: For Miami-Dade applications, refer to the anchorage details section in the *USG Exterior Ceiling System Guide*, SC2561.



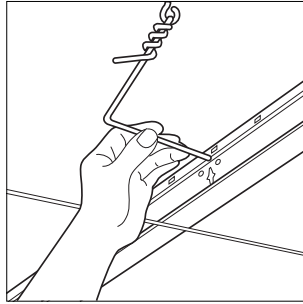
CELEBRATION™ TORSION SPRING

Exterior Installation

Step 6

Install main runners.

Install main runners onto the pre-bent hanger wires.



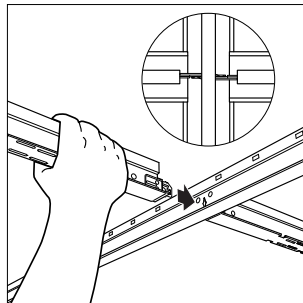
Step 7

Install cross tees.

Install cross tees at the necessary locations for the desired class and panel size. Push a cross tee end through the main tee slot until you hear a “click.”

Where two cross tees intersect in the same slot, ensure that the second tee is inserted to the left of the first.

The grid system should be checked periodically to ensure the system is square during the installation of the cross tees.



CELEBRATION™ TORSION SPRING

Exterior Installation

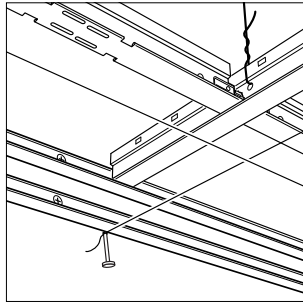
Step 8

Ensure the ceiling is completely level and square.

Ensure the ceiling is completely level and square. Then, wrap the wire end securely around itself with three complete turns within 3 in.

Ensure the remaining wire end is secured so that it does not interfere with the placement of other ceiling components.

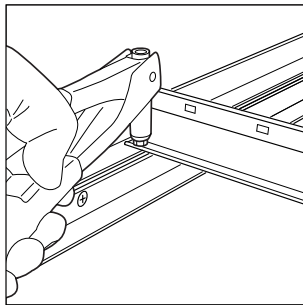
Note: Some local jurisdictions require additional wire wraps. If uncertain of the local requirements, check with a local official prior to installing the suspended ceiling system.



Step 9

Install pop rivets.

Install two 1/8 in. pop rivets, suitable for exterior use, on every main tee and every cross tee that intersects the M7Z wall molding or F-molding.



CELEBRATION™ TORSION SPRING

Exterior Installation

Step 10

Install compression posts.

Install a compression post at every hanger wire location. (See Figures A and B.)

Figure A

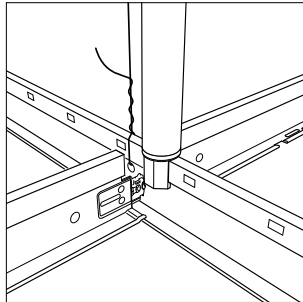
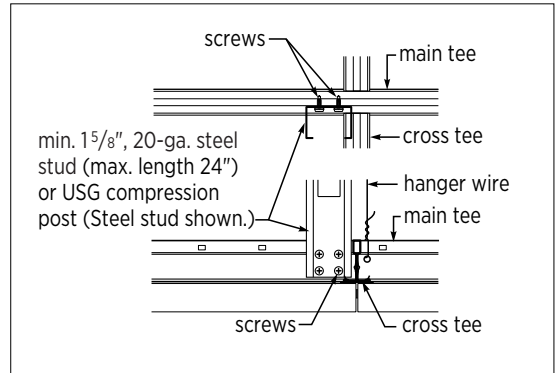


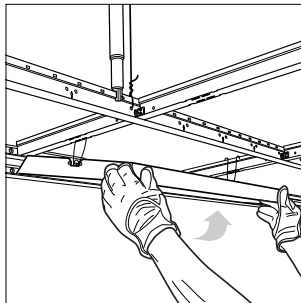
Figure B



Step 11

Install perimeter panels.

- a. Install the corner perimeter panels first.
- b. Install the remaining perimeter panels next.



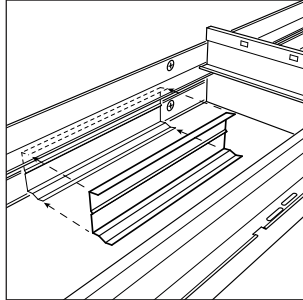
CELEBRATION™ TORSION SPRING

Exterior Installation

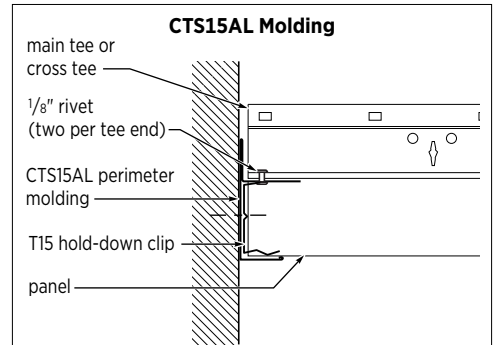
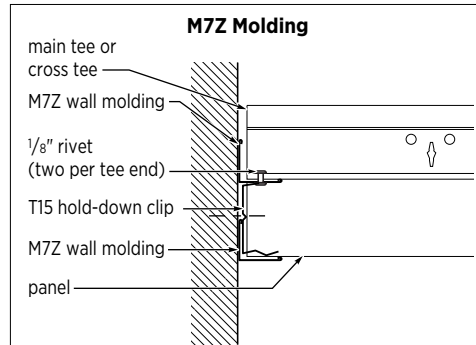
Step 12

Install hold-down clips.

Install T15 hold-down clips onto every perimeter panel.
One T15 hold-down clip is required for every foot of perimeter panel.



Perimeter Panel Details



Step 13

Install the remaining field panels.

Figure A

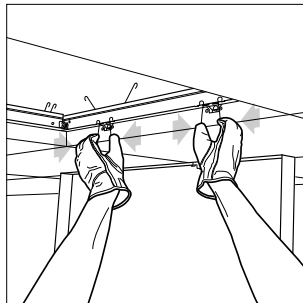
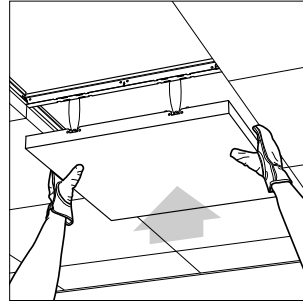


Figure B



USG SHEETROCK® BRAND LAY-IN CEILING PANELS

Exterior Ceiling Applications

ZXLA™

DESCRIPTION

USG ZXLA™ Suspension Systems with USG Sheetrock® Lay-In Panels are affordable ceiling options for sheltered exterior applications not directly exposed to the weather, such as under soffits, parking garages, covered entrances, or drive-throughs.

ZXLA suspension systems with USG Sheetrock® Lay-In panels have been tested for wind load resistance and shall comply with local wind load requirements. The engineer of record shall determine the final recommendation for the design wind pressure requirements for each project. USG exterior assemblies were tested per UL 580, UL 1897, and listed in PEI Evaluation Report, PER-12055.

GUIDELINES

- The building structure from which the USG Sheetrock® Lay-In Ceiling Panel system is suspended and spaced, as well as hanger wire and compression post attachment methods, must be able to withstand applicable wind loads.
- Other materials can be used for compression posts if the compressive strength and attachment method are approved for use by a local structural engineer.
- A minimum of 6d common hold-down nails or similar devices shall be installed at regular intervals to prevent uplift. A minimum of six nails are required for each 2 ft. x 4 ft. panel module. A minimum of four nails are required for each 2 ft. x 2 ft. panel module.
- A minimum of 6d common hold-down nails or similar devices shall be inserted in alternating directions.

ZXLA™ WITH USG SHEETROCK® LAY-IN PANELS

GUIDELINES

- A minimum of 6d common hold-down nails or similar devices may be installed through the hanger wire holes, cross tee clip holes, and through a field-punched hole in the web of the tee.
- The architect's details must cover the design and location of expansion joints and meet all applicable building code requirements.

NOTES

Follow proper safety and industrial hygiene practices while handling and installing all products and systems. Take necessary precautions and wear appropriate personal protective equipment as needed. For product safety information and personal protective equipment recommendations review the safety data sheet. When removing or installing ceiling panels from grid, we recommend wearing a dust mask, cut-resistant gloves, and eye protection. Provide drop cloths to cover and protect furnishings below. When using a ladder or lift, follow the equipment manufacturer's precautions, instructions, and safety guidelines.

All ceiling products and systems must be installed and maintained in accordance with current USG written instructions and in compliance with ASTM C636, ASTM E580, CISCA, and standard industry practices.

Care must be taken to safeguard products from damage during delivery and while they are stored at the jobsite. The products must always be protected from vibration, chemical fumes, and direct contact with water both before and after installation.

ZXLA™ WITH USG SHEETROCK® LAY-IN PANELS

Components

Panels

USG Sheetrock® Lay-In panels are nominal 2 ft. x 2ft. x 1/2 in. or 2 ft. x 4 ft. x 1/2 in. gypsum substrate panels with a vinyl-laminated face.

Suspension System

ZXLA26 main tees are 12 ft. long, heavy duty main tees with a G90 hot-dipped galvanized body and aluminum cap.

ZXLA424 cross tees are 48 in. cross tees with a G90 hot-dipped galvanized body and aluminum cap.

ZXLA224 cross tees are 24 in. cross tees with a G90 hot-dipped galvanized body and aluminum cap.

M7Z wall angles are 12 ft. long wall moldings with 7/8 in. x 7/8 in. legs made of G90 hot-dipped galvanized steel.

Accessories

MAC2 clips are grid molding attachment clips that attach tees to the wall angles.

Stainless steel or aluminum pop rivets attach tees to the wall angles.

12-gauge hanger wires are galvanized, soft-annealed, mild steel wires.

Compression posts are rigid metal supports that attach to ZXLA26 main tees at each wire location and to the building structure. Compression posts prevent upward and downward movement and are required by code.

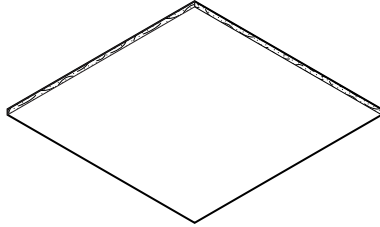
6d common nails are hold-down nails used to prevent panel uplift. They are inserted into the grid members in alternating directions.

ZXLA™ WITH USG SHEETROCK® LAY-IN PANELS

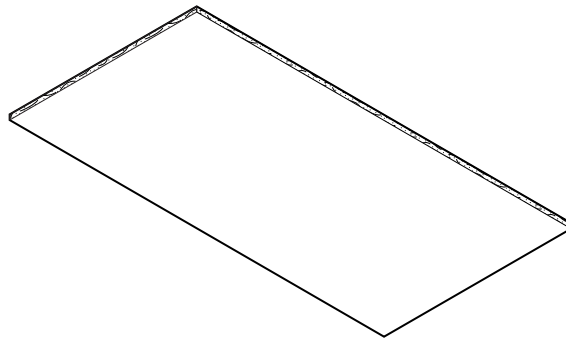
Components

Panels

USG Sheetrock® Lay-In Panels, 2 ft. x 2 ft.

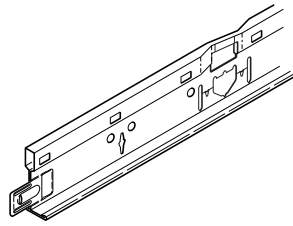


USG Sheetrock® Lay-In Panels, 2 ft. x 4 ft.

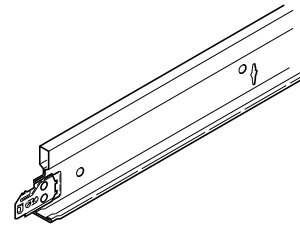


Suspension System

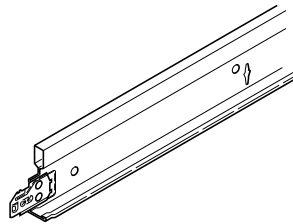
ZXLA26 Main Tee



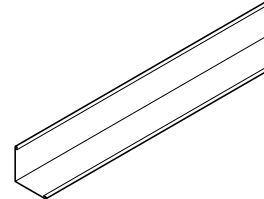
ZXLA424 Cross Tee



ZXLA224 Cross Tee



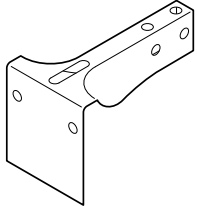
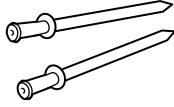
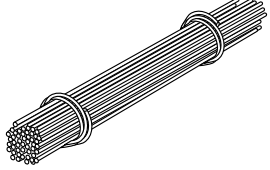
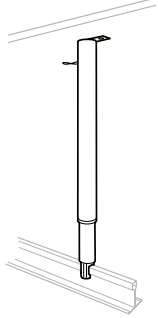
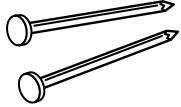
M7Z Wall Angle



ZXLA™ WITH USG SHEETROCK® LAY-IN PANELS

Components

Accessories

MAC2 Clip 	Pop Rivets 
12-Gauge Hanger Wire 	Compression Post 
6d Common Nails 	

ZXLA™ WITH USG SHEETROCK® LAY-IN PANELS

Components

PACKAGING INFORMATION

		Product Description	Dimensions	Pcs./Ctn.
Panels		3260 gypsum lay-in panels	2 ft. x 2 ft. x 1/2 in.	4 pcs./ctn.
		3270 gypsum lay-in panels	2 ft. x 4 ft. x 1/2 in.	4 pcs./ctn.
Suspension System	Main Tees	ZXLA26	12 ft.	20 pcs./ctn.
	Cross Tees	ZXLA424	4 ft.	60 pcs./ctn.
		ZXLA224	2 ft.	60 pcs./ctn.
	Wall Molding	M7Z	12 ft.	40 pcs./ctn.
	Accessories (by others)		12-gauge hanger wire	—
		Compression post	—	—
		Pop rivets	—	—
		6d common nails	—	—

ZXLA™ WITH USG SHEETROCK® LAY-IN PANELS

Exterior Installation

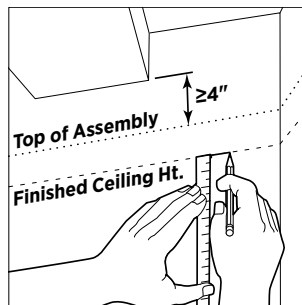
Step 1

Determine the finished ceiling height.

Refer to the project documents to determine the finished ceiling height.

Allow clearance of at least 4 in. below the lowest pipe or beam to the top of the suspension system. Snap a chalk line $\frac{3}{4}$ in. above the desired ceiling height.

Note: Certain light fixtures may require additional clearance.

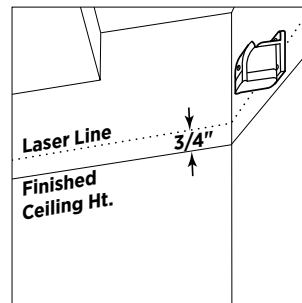


Step 2

Mark the ceiling height at the perimeter.

Mark the finished ceiling height and set your laser at $\frac{3}{4}$ in. above the ceiling height to indicate the top of the M7Z perimeter molding.

Note: For seismic installations, use M7Z perimeter molding with ACM7 clips at the finished ceiling height. Refer to the Seismic Perimeter Applications section in the *USG Exterior Ceiling Systems Guide, SC2561*.



ZXLA™ WITH USG SHEETROCK® LAY-IN PANELS

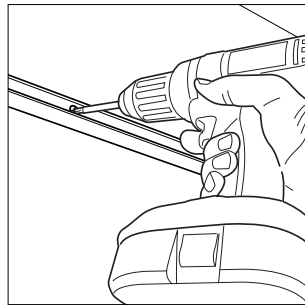
Exterior Installation

Step 3

Install perimeter molding.

Mechanically fasten the M7Z perimeter molding at each stud location or at a maximum of 24 in. on center intervals.

Note: The 7/8 in. leg of the M7Z perimeter molding shall be installed in the lower horizontal position.

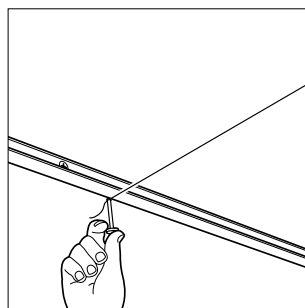


Step 4

Locate main tees.

Refer to the construction documents for the specified wind load requirements. For main tee spacing and layout, refer to the *USG Exterior Ceiling Systems Guide, SC2561*.

Install a string line at the location of the first main tee, underneath the M7Z perimeter molding.



ZXLA™ WITH USG SHEETROCK® LAY-IN PANELS

Exterior Installation

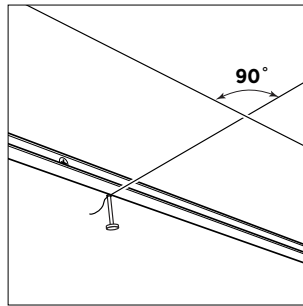
Step 5

Locate cross tees.

Stretch a string perpendicular to the main tee strings to mark the first row of cross tees only. Main tees are equipped with pre-punched slots for aligning the remaining cross tees.

Both strings should be squared at their intersection to form a 90-degree angle. Verify accuracy by using the 3, 4, 5 triangle method. The suspension system must be square to function properly.

Tip: If the string lines need to be adjusted, move the strings toward the nearest wall.



Step 6

Install hanger wires.

Refer to the *USG Exterior Ceiling Systems Guide, SC2561* for layout and spacing of hanger wires. Attach a hanger wire to the structure and then cut the wire 6 in. below the string line. (See Figure A.) The hanger wire must not be farther than 12 in. from any perimeter.

Tip: Use pliers to bend a 90-degree angle in all hanger wires at a point 3/4 in. above the perimeter molding. (See Figure B.) If the nearest hanger hole is not directly below the screw eye, adjust the hanger accordingly.

Figure A

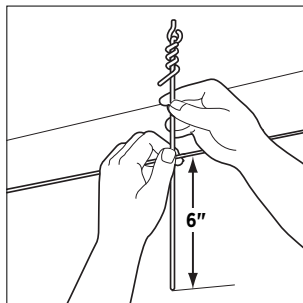
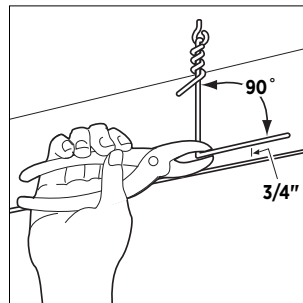


Figure B



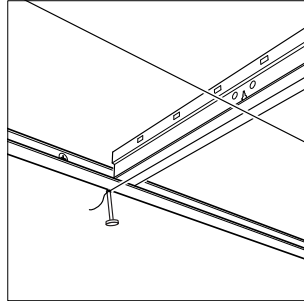
ZXLA™ WITH USG SHEETROCK® LAY-IN PANELS

Exterior Installation

Step 7

Install the first main tees.

In each row, trim the first main tee at the wall so that the slots for the first row of cross tees line up at the string. Rest the cut end of the main tee on the wall angle.



Step 8

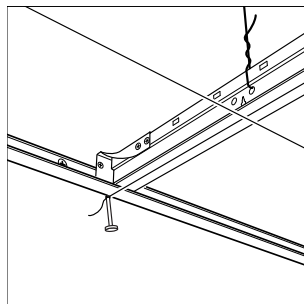
Suspend main tees.

Pull each hanger wire through a hanger hole located at the cross tee slots of the main tee and bend up. Adjust the height of the main tees as needed, and make sure the system is level. Then, wrap the wire end securely around itself with three complete turns within 3 in.

Ensure the remaining wire end is secured so that it does not interfere with the placement of other ceiling components.

Note: Some local jurisdictions require additional wire wraps. If uncertain of the local requirements, check with a local official prior to installing the suspended ceiling system.)

The MAC2 clip can be used in lieu of pop rivets. The molding attachment clip must have a fastener through the clip into the bulb of the tee and a fastener through the clip into the perimeter wall or soffit. Use fasteners suitable for exterior use.



ZXLA™ WITH USG SHEETROCK® LAY-IN PANELS

Exterior Installation

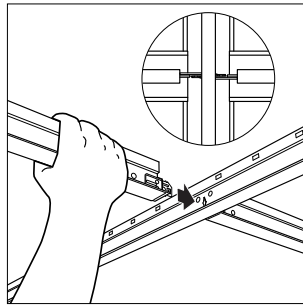
Step 9

Install cross tees.

After the main tees are hung, install the cross tees. Push each cross tee end through the main tee slot until you hear a “click.”

Where two cross tees intersect in the same slot, ensure that the second tee is inserted to the left of the first.

The grid system should be checked periodically to ensure the system is square during the installation of the cross tees.

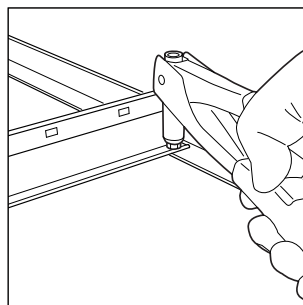


Step 10

Secure perimeter tees.

With a punch tool and pop-rivet gun, fasten the main tees and border cross tees to the M7Z wall molding with pop rivets suitable for exterior use.

The MAC2 clip can be used in lieu of pop rivets. The molding attachment clip must have a fastener through the clip into the bulb of the tee and a fastener through the clip into the perimeter wall or soffit. Use fasteners suitable for exterior use.



ZXLA™ WITH USG SHEETROCK® LAY-IN PANELS

Exterior Installation

Step 11

Install compression posts.

Refer to the *USG Exterior Ceiling Systems Guide, SC2561* for layout, spacing, and type of compression posts.

Note: If a light-gauge framing member is used as a compression post, it must be attached to the main tee with at least four #8 screws. (See Figure A.) Install the framing member with an allowance of at least 5/8 in. for the USG Sheetrock® Lay-In Panel. (See Figure B.)

Figure A

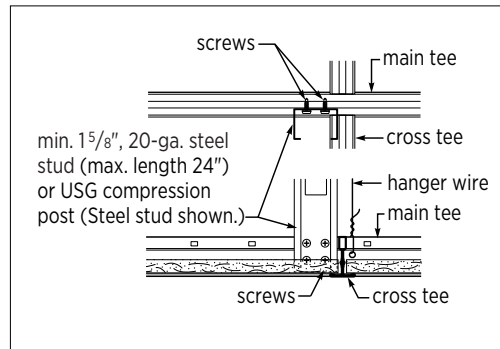
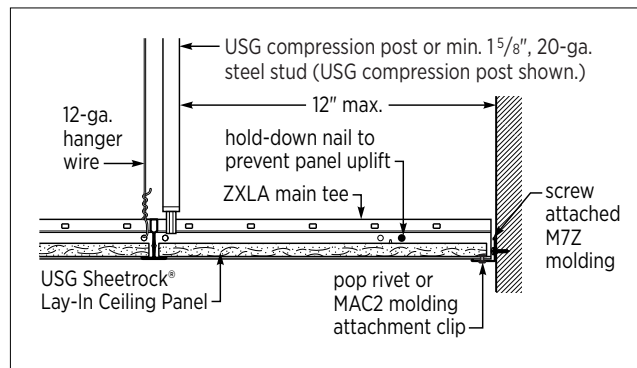


Figure B



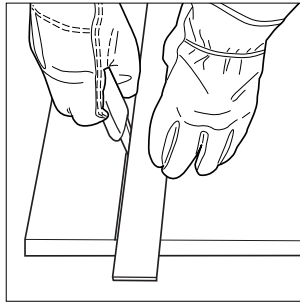
ZXLA™ WITH USG SHEETROCK® LAY-IN PANELS

Exterior Installation

Step 12

Cut perimeter panels.

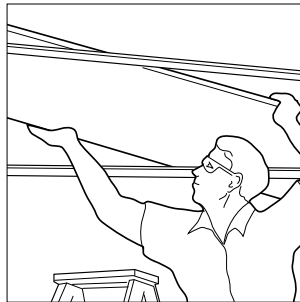
Measure the perimeter panel dimension from the back of the wall molding to just shy of the center line of the nearest perimeter tee. Mark the appropriate cut points onto a full panel. Use a utility knife to cut the panels.



Step 13

Install perimeter panels.

Moving progressively around the area, install a minimum of 6d common nails through the hanger wire holes, cross tee clip holes, or through a field-punched hole on all the border main tees and cross tees supporting the border panels. The minimum of 6d common nails should be installed in alternating directions.



ZXLA™ WITH USG SHEETROCK® LAY-IN PANELS

Exterior Installation

Step 14

Install field panels.

Install the field panels by moving progressively from the starting wall to the opposing wall. Install a minimum of 6d common nails through the hanger wire holes, cross tee clip holes, or through a field-punched hole on all the field panels.

A minimum of four nails are required for each 2 ft. x 2 ft. panel module. (See Figure A.) A minimum of six nails are required for each 2 ft. x 4 ft. panel module. The minimum of 6d common nails should be installed in alternating directions. (See Figure B.)

Figure A

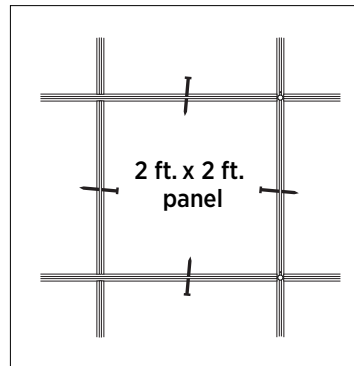
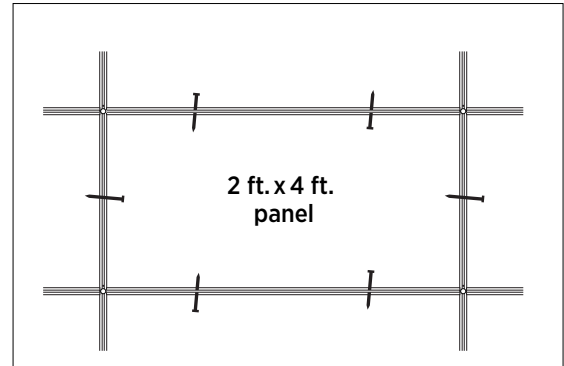


Figure B



USG DRYWALL SUSPENSION SYSTEM

Exterior Ceiling Applications

Ceiling Grid Framing System

DESCRIPTION

The USG Drywall Suspension System (DWSS) is a versatile and customizable framing system that can achieve numerous design aesthetics and is supported by testing for a variety of installation requirements. It integrates with an array of components and accessories to meet visual design and installation needs.

NOTES

Follow proper safety and industrial hygiene practices while handling and installing all products and systems. Take necessary precautions and wear appropriate personal protective equipment as needed. For product safety information and personal protective equipment recommendations review the safety data sheet. When removing or installing ceiling panels from grid, we recommend wearing a dust mask, cut-resistant gloves, and eye protection. Provide drop cloths to cover and protect furnishings below. When using a ladder or lift, follow the equipment manufacturer's precautions, instructions, and safety guidelines.

All ceiling products and systems must be installed and maintained in accordance with current USG written instructions and in compliance with ASTM C636, ASTM E580, CISCA, and standard industry practices.

Care must be taken to safeguard products from damage during delivery and while they are stored at the jobsite. The products must always be protected from vibration, chemical fumes, and direct contact with water both before and after installation.

USG DRYWALL SUSPENSION SYSTEM

Components

Suspension Systems

DGLWE 1-1/2 in. main tees are heavy duty 12 ft. tees. They are the main carriers of the DWSS. Wire support holes and cross tee layouts are within the web of the main tees.

DGLW424E 4 ft. cross tees. Cross tees are installed between the main tees.

DGLW224E 2 ft. cross tees. Cross tees are installed between the main tees.

Note: Suspension system tees with G90 galvanization shall be used in exterior applications.

Wall Moldings

DGWM24E angle moldings are 1-1/2 in. x 1 in. They are used to screw attach the main tees and cross tees to the wall.

DGCM27E channel moldings are 1-5/8 in. tall with 1 in. legs. They are used to screw attach the main tees and cross tees to the wall.

Note: Suspension system moldings with G90 galvanization shall be used in exterior applications.

Accessories

DGTC-90 transition clips allow for many types of 90-degree angle installations including fascias.

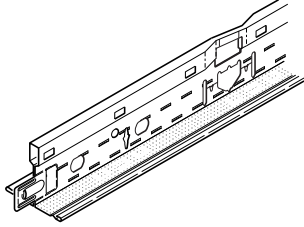
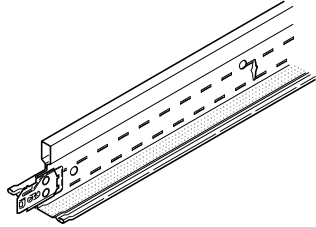
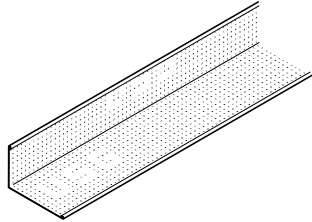
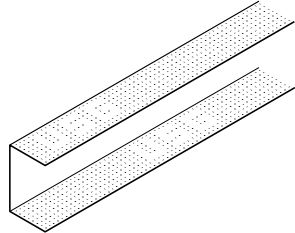
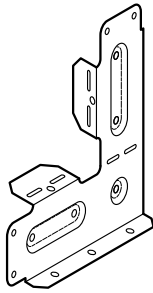
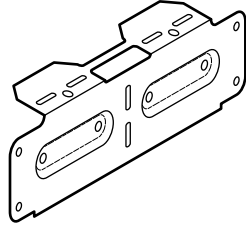
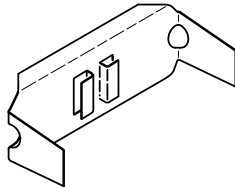
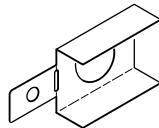
DGSC-180 splice clips can be used to connect two different tees to either continue on a straight path or on any degree of off-angle paths. They can also be manipulated to create a hinge for the design of vault or valley ceilings.

DGSP-180 splice plates are the connecting devices used to connect two curved tees.

DGWC wall attachment clips are used at the wall to attach a radius tee to the wall. They fit into the gap on the side of the tee to square it to the wall.

USG DRYWALL SUSPENSION SYSTEM

Components

Suspension Systems	DGLWE 1-1/2 in. Main Tee	DGLWE Cross Tee
		
Moldings	DGWM24E Angle Molding	DGCM27E Channel Molding
		
Accessories	DGTC-90 Transition Clip	DGSC-180 Splice Clip
		
	DGSP-180 Splice Plate	DGWC Wall Attachment Clip
		

USG DRYWALL SUSPENSION SYSTEM

Components

PACKAGING INFORMATION

		Product Description	Dimensions	Pcs./Ctn.
Suspension System	Main Tees	DGLW26E	1-1/2 in. x 12 ft.	16 pcs./ctn.
		Cross Tees		
	DGLW424E	1-1/2 in. x 4 ft.	48 pcs./ctn.	
		DGLW224E	1-1/2 in. x 2 ft.	48 pcs./ctn.
Wall Molding		DGWM-24E	12 ft.	20 pcs./ctn.
		DGCM-27E	12 ft.	30 pcs./ctn.
Accessories		ISB-109	109.5 in.	16 pcs./ctn.
		DGTC-90	4.35 in. x 4.35 in.	50 pcs./ctn.
		DGSC-180	5.825 in.	50 pcs./ctn.
		DGSP-180	2 in.	50 pcs./ctn.
		DGWC	2 in.	50 pcs./ctn.
Accessories (by others)		12-gauge hanger wire	—	—
		Compression post	—	—
		Pop rivets	—	—

USG DRYWALL SUSPENSION SYSTEM

Exterior Installation

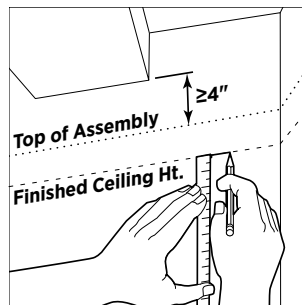
Step 1

Choose the ceiling height.

Install the ceiling at any level while maintaining enough clearance from the bottom of the lowest obstruction. Refer to the construction documents for finished ceiling heights. We recommend maintaining a minimum clearance of 4 in. from the structural attachment point to the top of the suspension system for wire attachment.

The USG DWSS can be direct mounted using the appropriate clips or attachments (i.e., 1-1/2 in. x 1-1/2 in., 25-gauge wall angle). For direct attachment, see the compression post chart in the *USG Exterior Ceiling Systems Guide, SC2561*.

Note: Certain light fixtures may require additional clearance.



Step 2

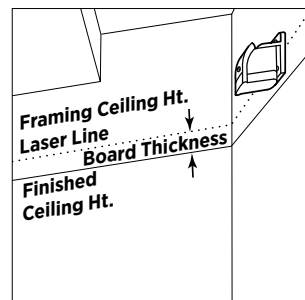
Mark the framing ceiling height at the perimeter.

When measuring for the finished ceiling height from the finished floor, remember to take into account the thickness of the substrate being attached to the USG DWSS.

After determining the finished ceiling height, add the thickness of the substrate to the finished ceiling height and mark the framing height.

Example: If the finished ceiling height from the finished floor is 10 ft. and the substrate is 5/8 in., the framing height is 10 ft. 5/8 in.

Mark the framing height and set your laser.



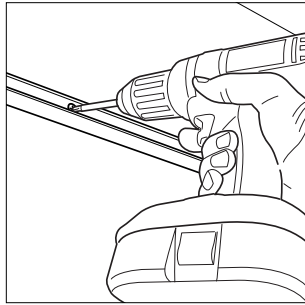
USG DRYWALL SUSPENSION SYSTEM

Exterior Installation

Step 3

Install the framing angle.

Align the bottom edge of the DGWM24E angle mold or DGCM27E channel mold with the laser line. Then, mechanically fasten the mold at each stud location or at a maximum of 24 in. on center intervals.



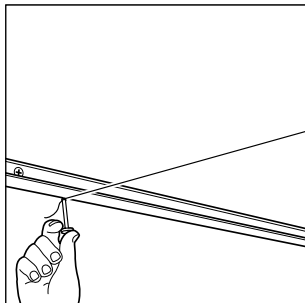
Step 4

Locate main tees.

Install the string line at the location of the first main tee. Refer to the construction documents for the specified wind load requirements. For main tee spacing and layout, refer to the *USG Exterior Ceiling Systems Guide, SC2561*.

For USG DWSS, the first main tee will start at either 24 in. or 4 ft. off the wall for a non-fire-rated system. The subsequent main tees continue at 4 ft. on center.

Note: If the system is more than 4 pounds per square foot (psf) at L/360 or 6 pounds per square foot (psf) at L/240, determine the main tee and cross tee layout based on the load chart found on page 12 of the *USG Drywall Suspension System Catalog, AC3152*.



USG DRYWALL SUSPENSION SYSTEM

Exterior Installation

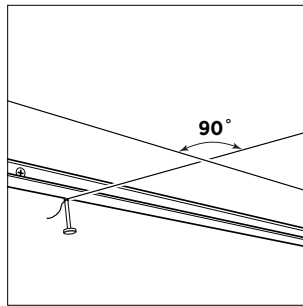
Step 5

Locate cross tees.

Stretch a string perpendicular to the main tee strings where you want to locate the first row of cross tees. Typically, the cross tee spacing will be at 16 in. or 24 in. on center.

Both strings should be squared at the intersection to form a 90-degree angle. Verify accuracy by using the 3, 4, 5 triangle method. The suspension system must be square to function properly.

Tip: If the string lines need to be adjusted, move the strings toward the nearest wall.



USG DRYWALL SUSPENSION SYSTEM

Exterior Installation

Step 6

Install hanger wires.

Refer to *USG Exterior Ceiling Systems Guide, SC2561* for layout and spacing of hanger wires. Attach a hanger wire to the structure and then cut the wire 8 in. below the string line. (See Figure A.) The hanger wire must not be farther than 12 in. from any perimeter.

Note: For Miami-Dade applications, refer to the anchorage details section in the *USG Exterior Ceiling Systems Guide, SC2561*.

Tip: Pre-bend wires to save time while leveling the ceiling. Set the laser elevation $\frac{3}{4}$ in. above the lower leg or face of the perimeter molding to determine where to bend the hanger wires. (See Figure B.)

Note: Please check local seismic codes in your jurisdiction for placement of the hanger wires and possible lateral force bracing requirements.

Figure A

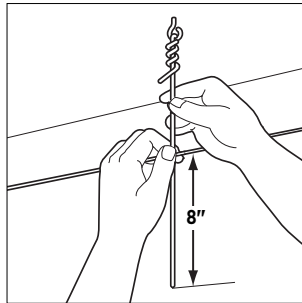
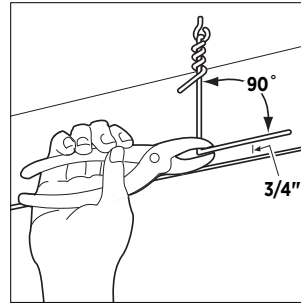


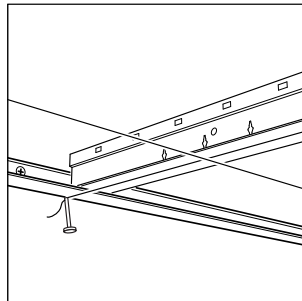
Figure B



Step 7

Align the first main tees.

In each row, trim the first main tee at the wall so that the slots for the first row of cross tees line up at the string.



USG DRYWALL SUSPENSION SYSTEM

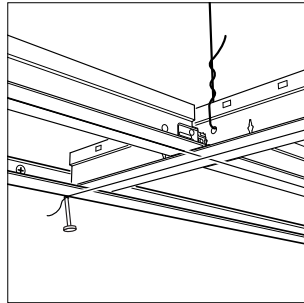
Exterior Installation

Step 8

Suspend main tees.

Pull each hanger wire through a hanger hole located at the cross tee slots and bend up. Suspend the main tees in place with the bent hanger wires.

Once the main tee and first cross tee are lined up with the squaring line, screw the suspension system in place.



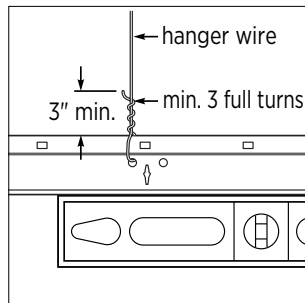
Step 9

Level the suspension system.

Adjust the height of the main tees as needed, and make sure the system is level. Then, wrap the wire end securely around itself with three complete turns within 3 in.

Ensure the remaining wire end is secured so that it does not interfere with the placement of other ceiling components.

Note: Some local jurisdictions require additional wire wraps. If uncertain of the local requirements, check with a local official prior to installing the suspended ceiling system.



USG DRYWALL SUSPENSION SYSTEM

Exterior Installation

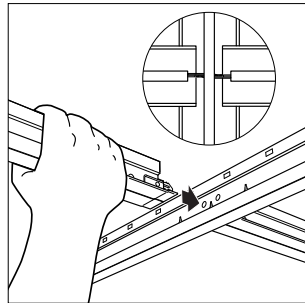
Step 10

Install cross tees.

After the main tees are hung, install the cross tees. Push each cross tee end through the main tee slot until you hear a “click.”

Where two cross tees intersect in the same slot, ensure that the second tee is inserted to the left of the first.

The grid system should be checked periodically to ensure the system is square during the installation of the cross tees.



Step 11

Install perimeter panels.

Refer to the *USG Exterior Ceiling Systems Guide*, SC2561 for layout, spacing, and type of compression posts.

Note: If a light-gauge framing member is used as a compression post, it must be attached to the main tee with at least four #8 screws. (See Figure A.) Install the framing member so that it is flush with the back side of the face of the main tee, as shown below. (See Figure B.)

Figure A

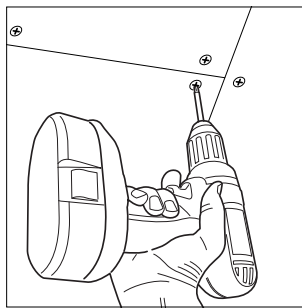
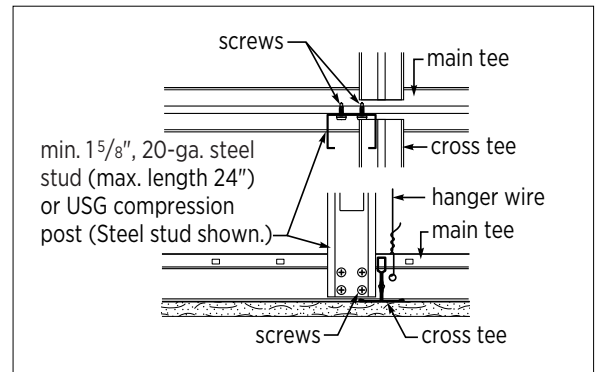


Figure B



WEBSITES

usg.com

cgcinc.com

usgdesignstudio.com

cgcdesignstudio.com

PRODUCT INFORMATION

DXFEV Data Sheet AC3304. Celebration Torsion Spring Exterior Accessories IC642. Exterior Ceilings Systems Guide SC2561. See usg.com for the most up-to-date product information.

INSTALLATION

Must be installed in compliance with ASTM C636, ASTM E580, CISCA, and standard industry practices.

CODE COMPLIANCE

The information presented is correct to the best of our knowledge at the date of issuance. Because codes continue to evolve, check with a local official prior to designing and installing a ceiling system. Other restrictions and exemptions may apply.

NOTICE

We shall not be liable for incidental and consequential damages, directly or indirectly sustained, nor for any loss caused by application of these goods not in accordance with current printed instructions or for other than the intended use. Our liability is expressly limited to replacement of defective goods. Any claim shall be deemed waived unless made in writing to us within thirty (30) days from date it was or reasonably should have been discovered.

SAFETY FIRST!

Follow good safety and industrial hygiene practices during handling and installation of all products and systems. Take necessary precautions and wear appropriate personal protective equipment as needed. Read safety data sheets and related literature on products before specification and/or installation

Notice

The information in this document is subject to change without notice. CGC Inc. or USG Corp. assumes no responsibility for any errors that may inadvertently appear in this document.

Manufactured by
USG Interiors, Inc.
550 West Adams Street
Chicago, IL 60661

SC3212/9-2017

© 2017, USG Corporation or its affiliates. All rights reserved.

The trademarks CELEBRATION, FINELINE, PARALINE, SHEETROCK, ZOLA, USG DESIGN STUDIO, CGC DESIGN STUDIO, USG, CGC, IT'S YOUR WORLD BUILD IT, THE USG LOGO and related marks are trademarks of USG Interiors, LLC or a related company.

