

[Back To Article](#)

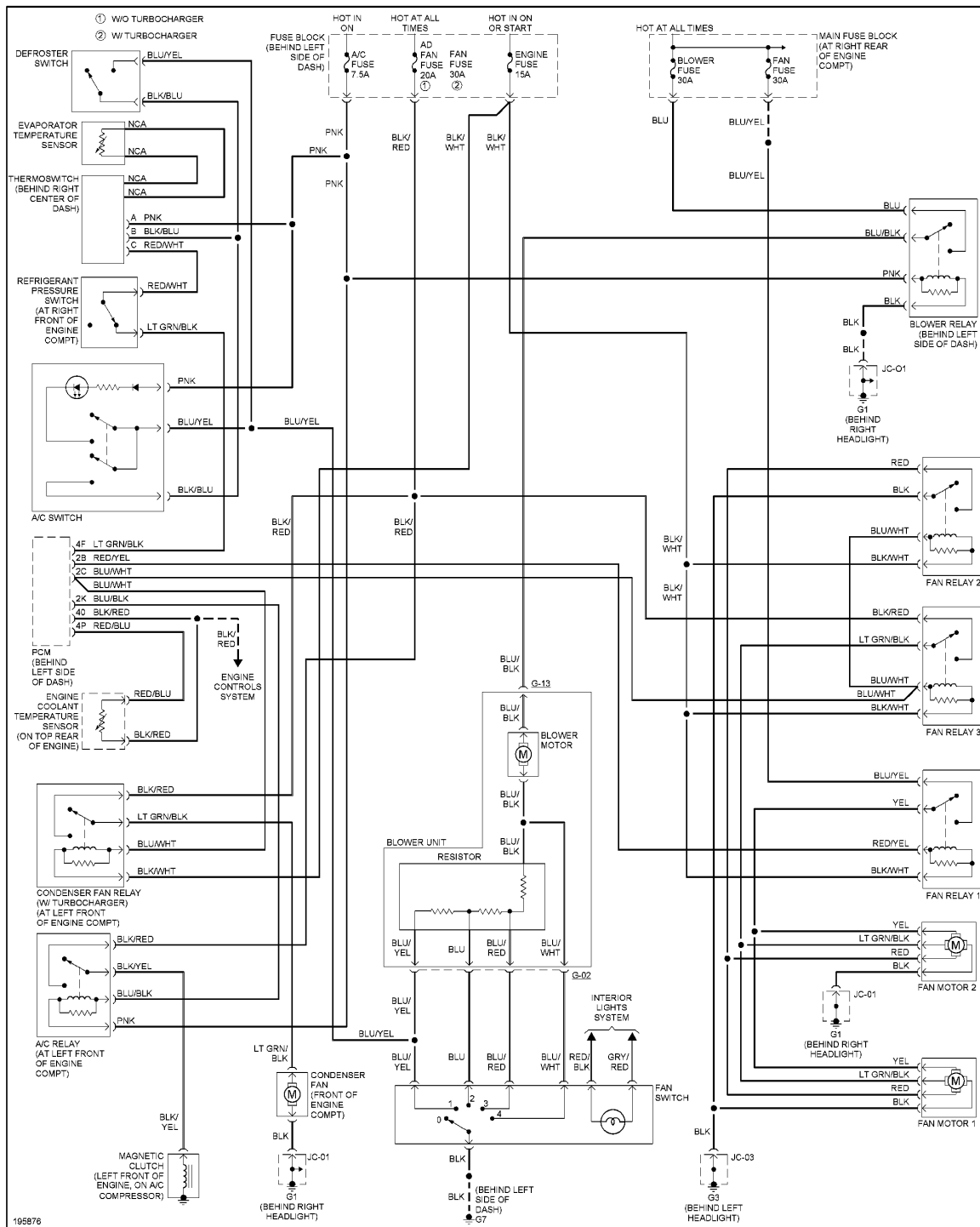
## **2004 SYSTEM WIRING DIAGRAMS**

**Mazda - MX-5 Miata**

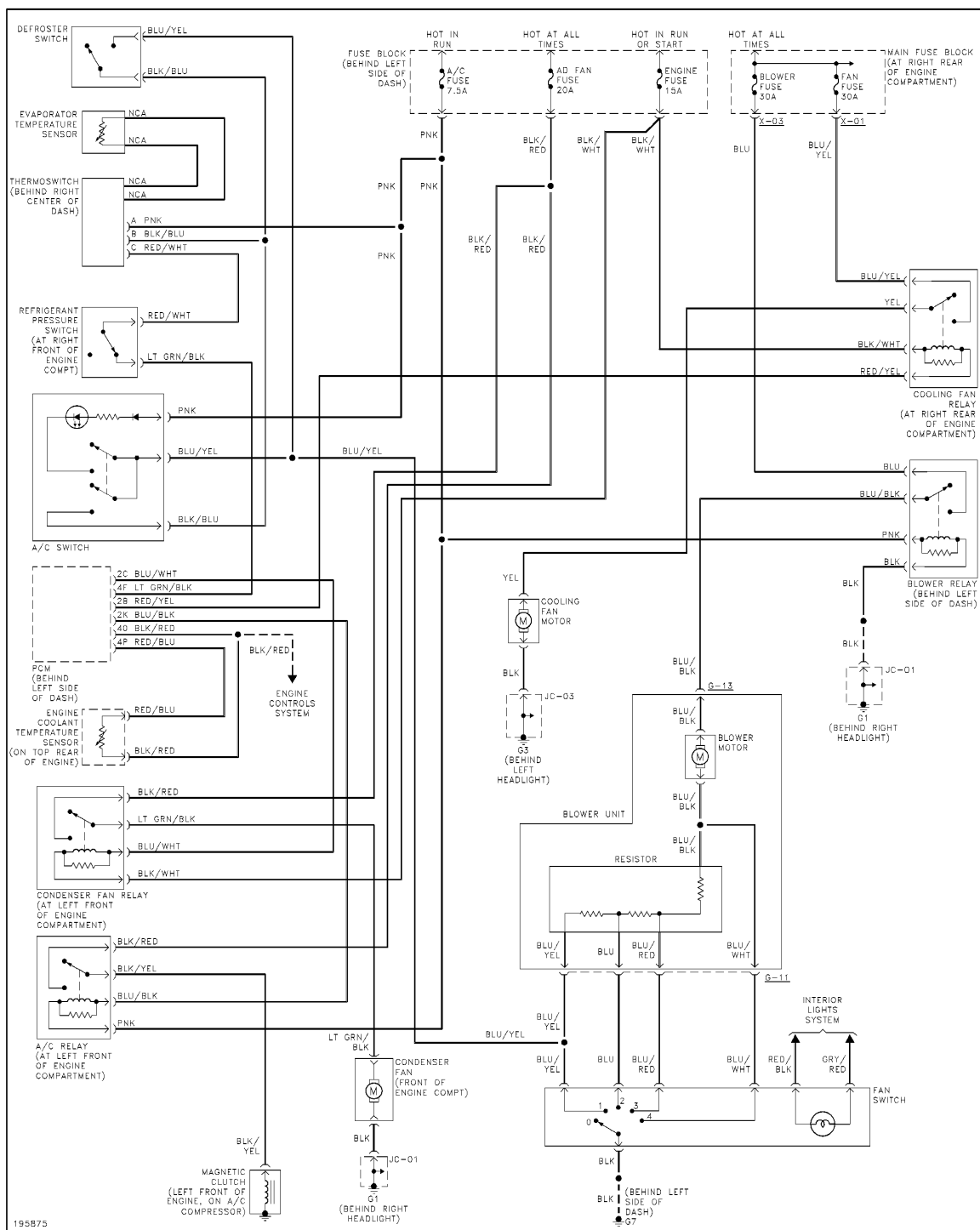
### **[USING MITCHELL1'S WIRING DIAGRAMS](#)**

For information on using these wiring diagrams, see [USING MITCHELL1'S SYSTEM WIRING DIAGRAMS](#) article.

### **[AIR CONDITIONING](#)**

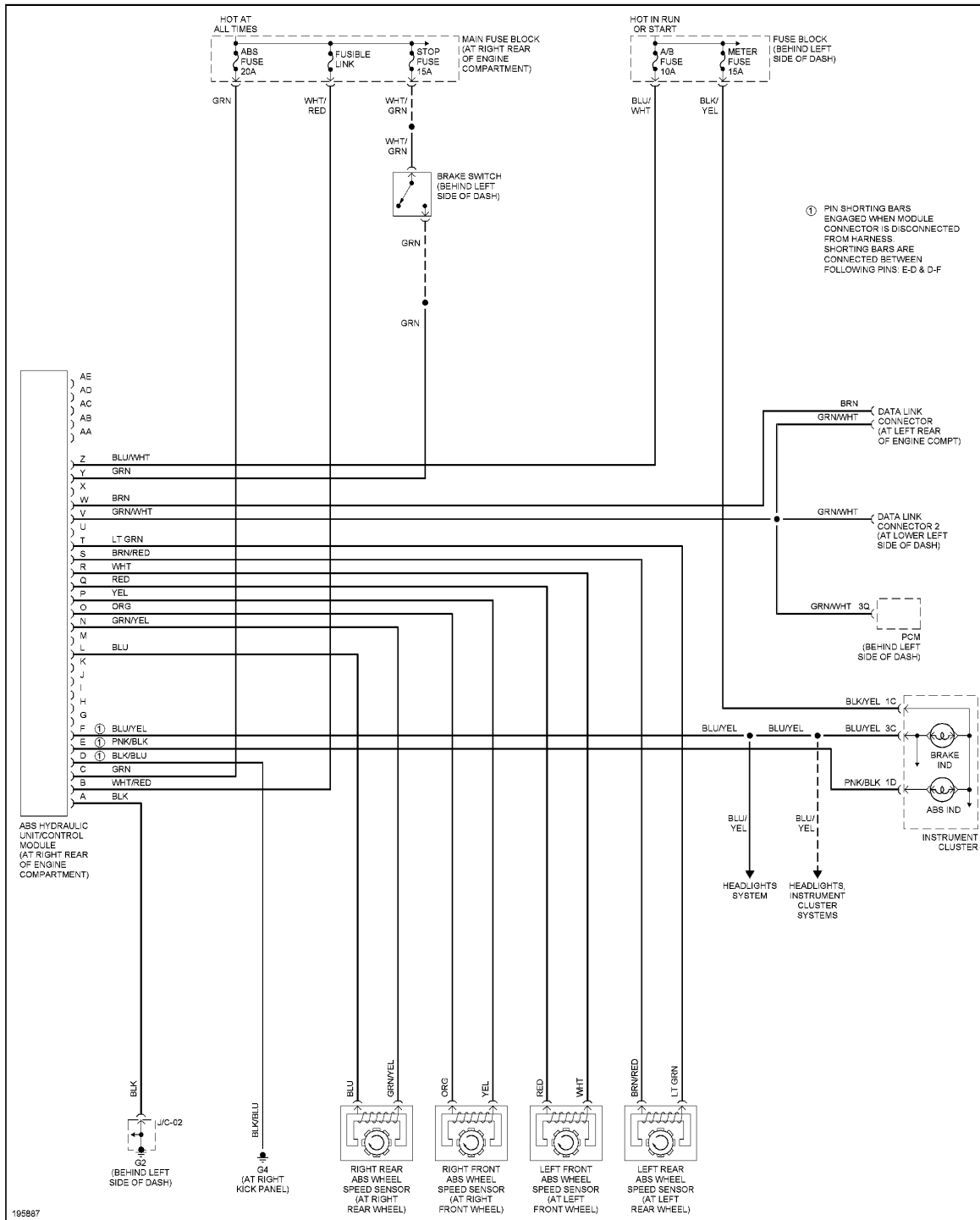


**Fig. 1: Manual A/C Circuit, Dual Fans**



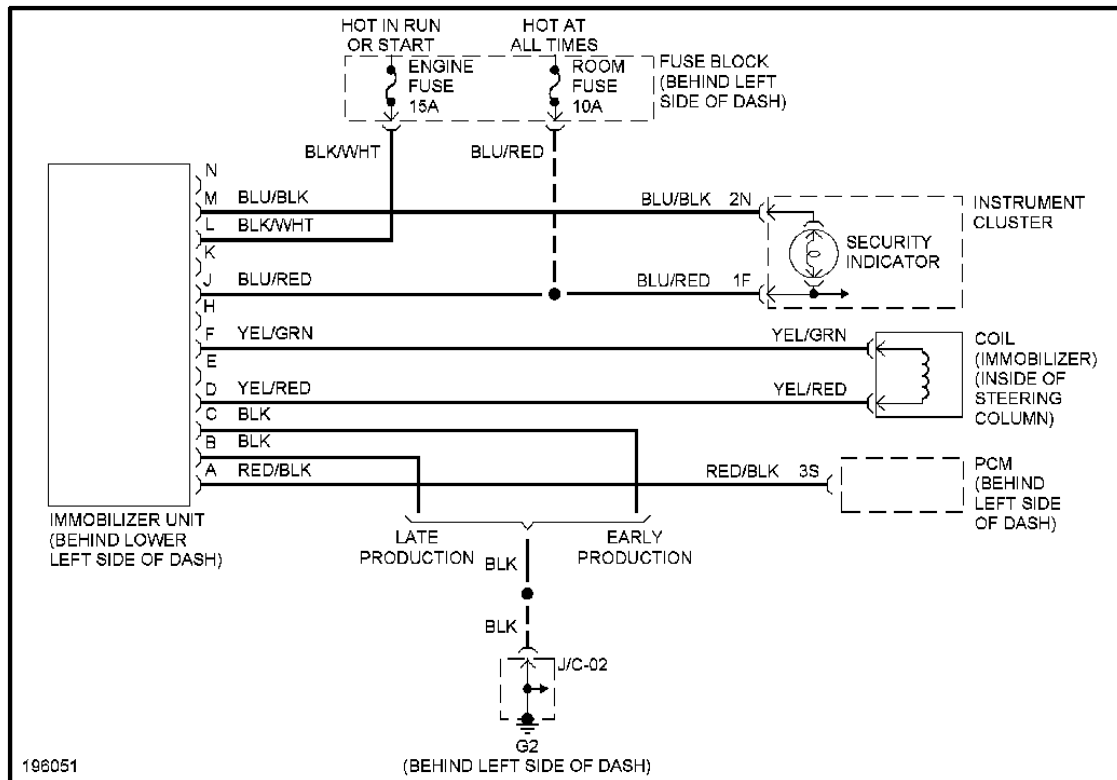
**Fig. 2: Manual A/C Circuit, Early Production**

## ANTI-LOCK BRAKES



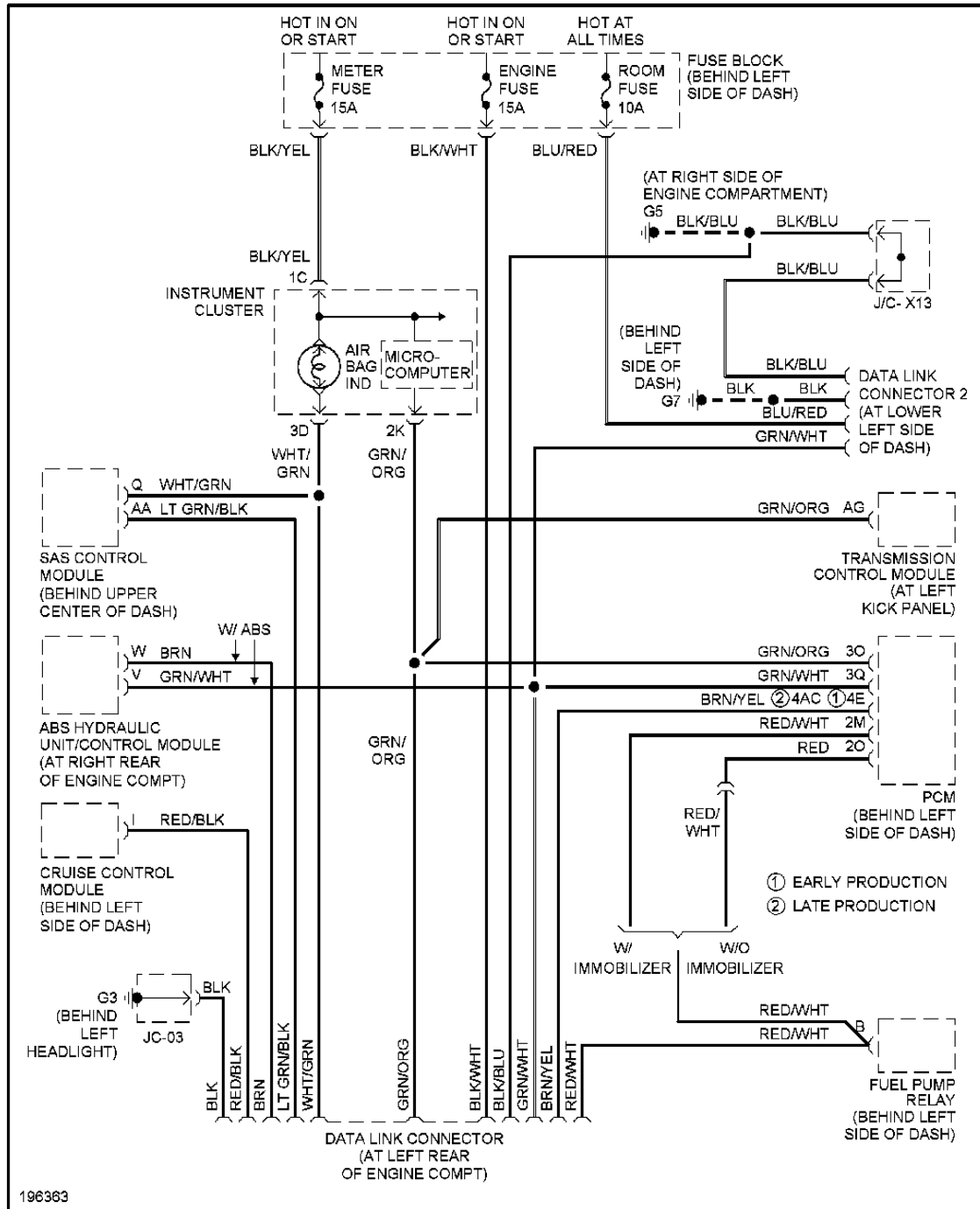
**Fig. 3: Anti-lock Brakes Circuit**

**ANTI-THEFT**



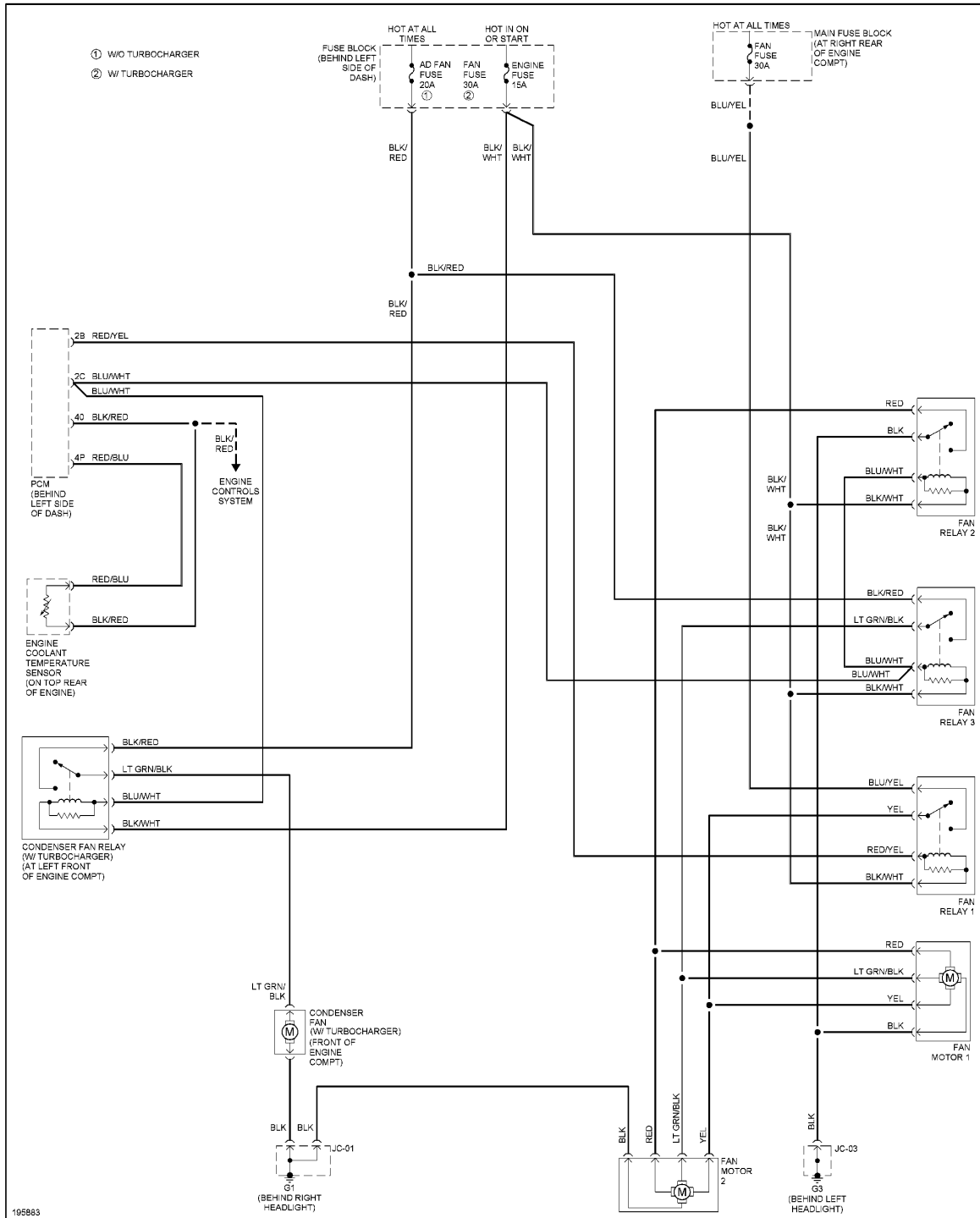
**Fig. 4: Immobilizer Circuit**

**COMPUTER DATA LINES**

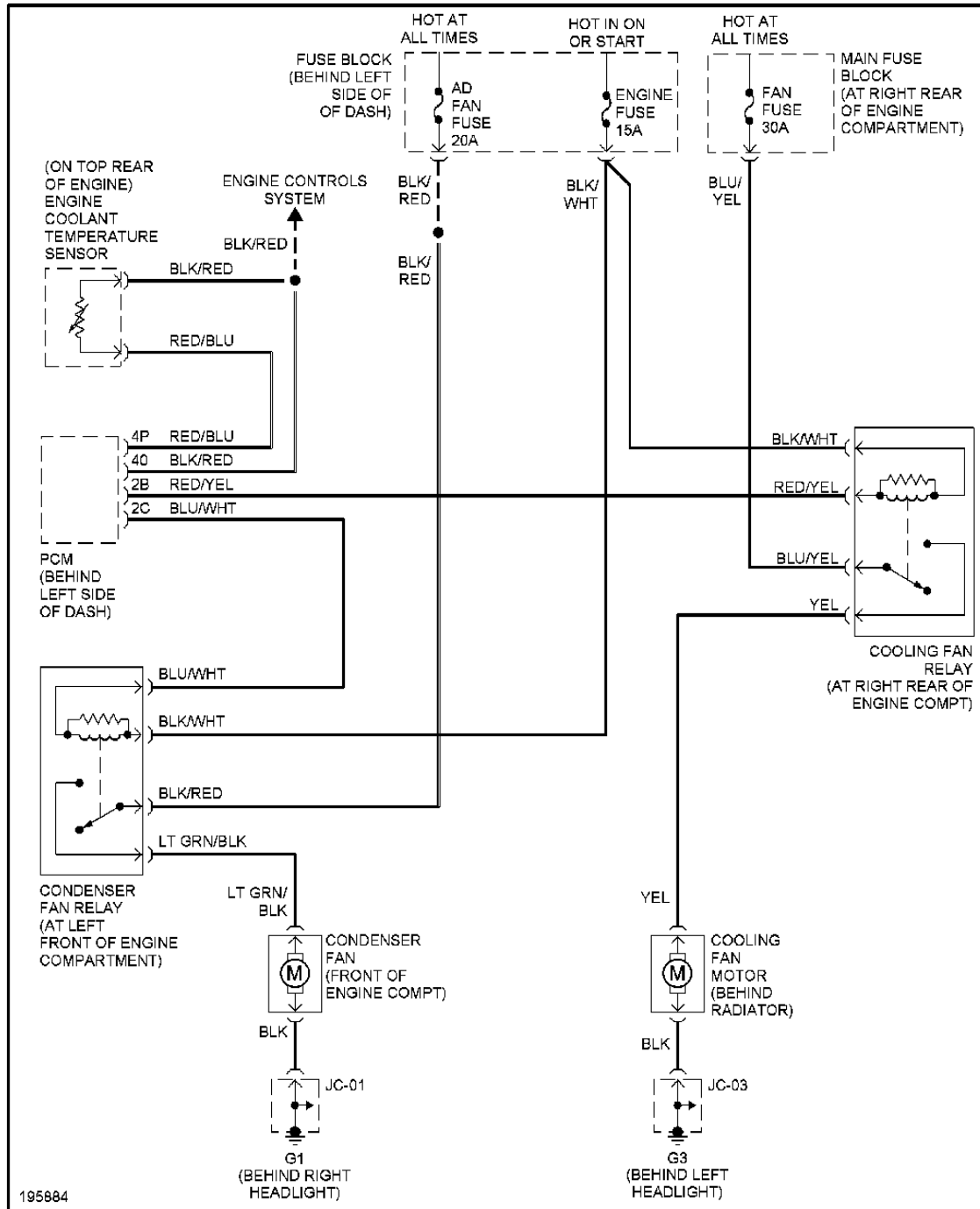


**Fig. 5: Computer Data Lines Circuit**

**COOLING FAN**



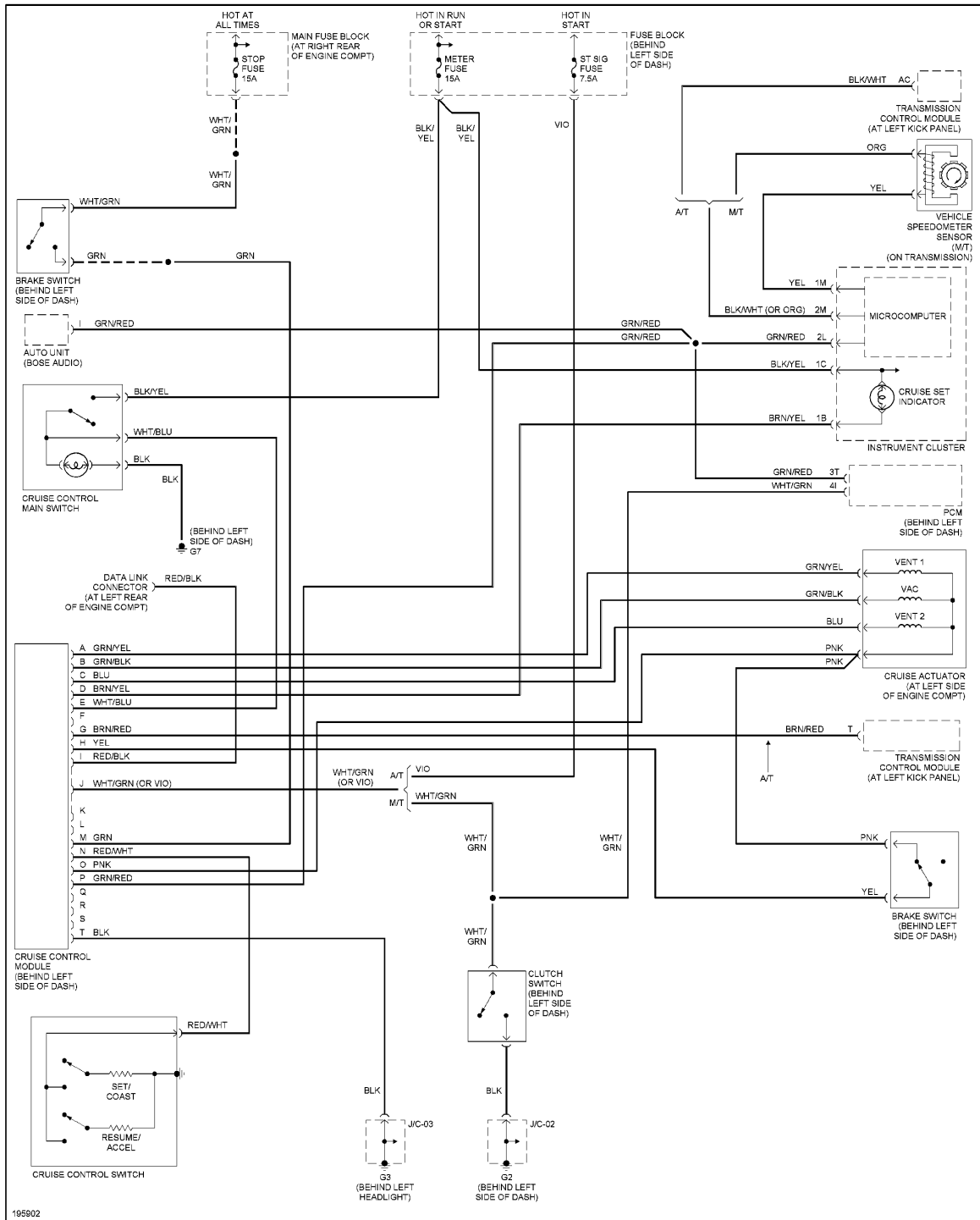
**Fig. 6: Cooling Fan Circuit, Dual Fans**



**Fig. 7: Cooling Fan Circuit, Early Production**

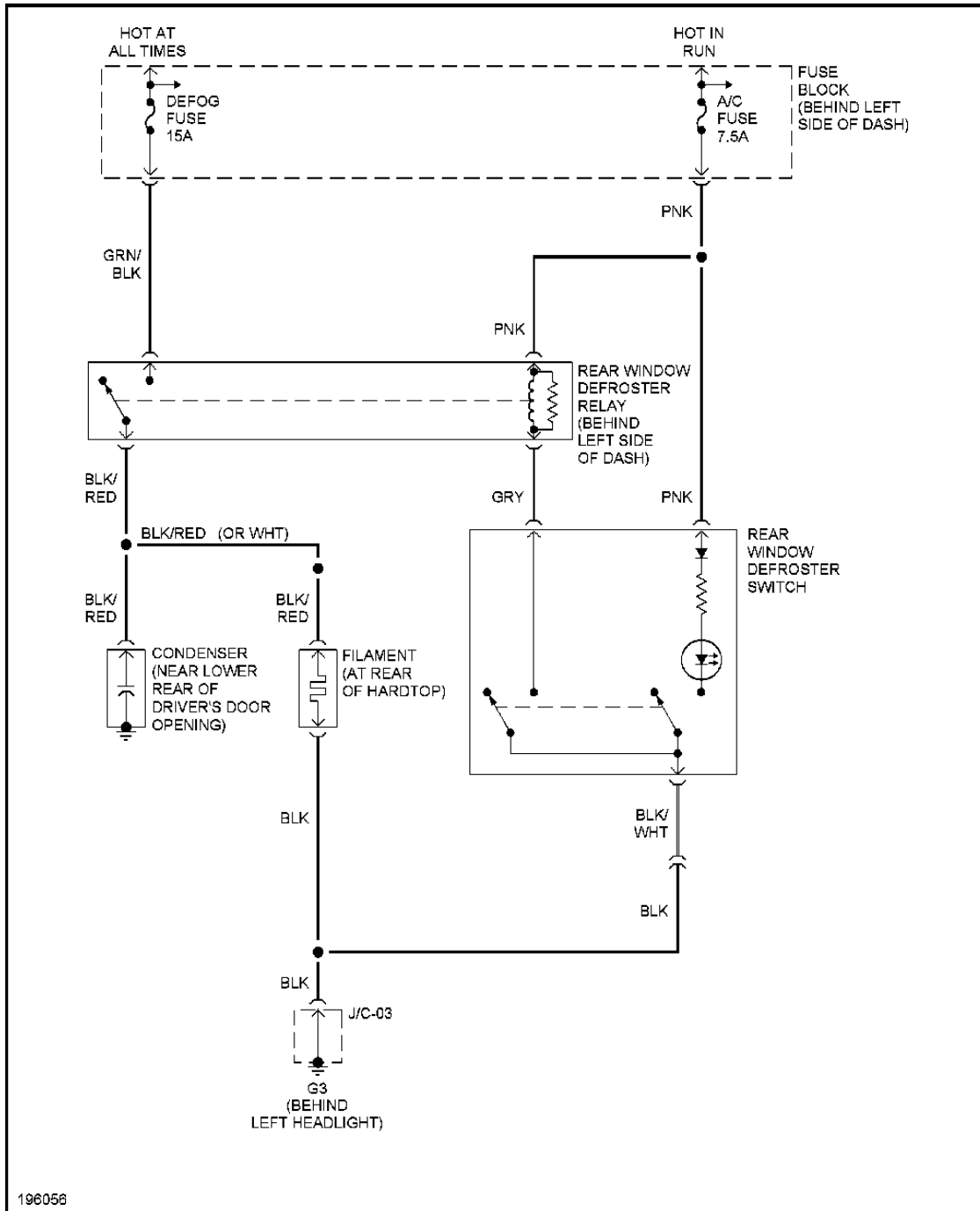
## CRUISE CONTROL





**Fig. 8: Cruise Control Circuit**

## DEFOGGERS



**Fig. 9: Defoggers Circuit**

**ENGINE PERFORMANCE**

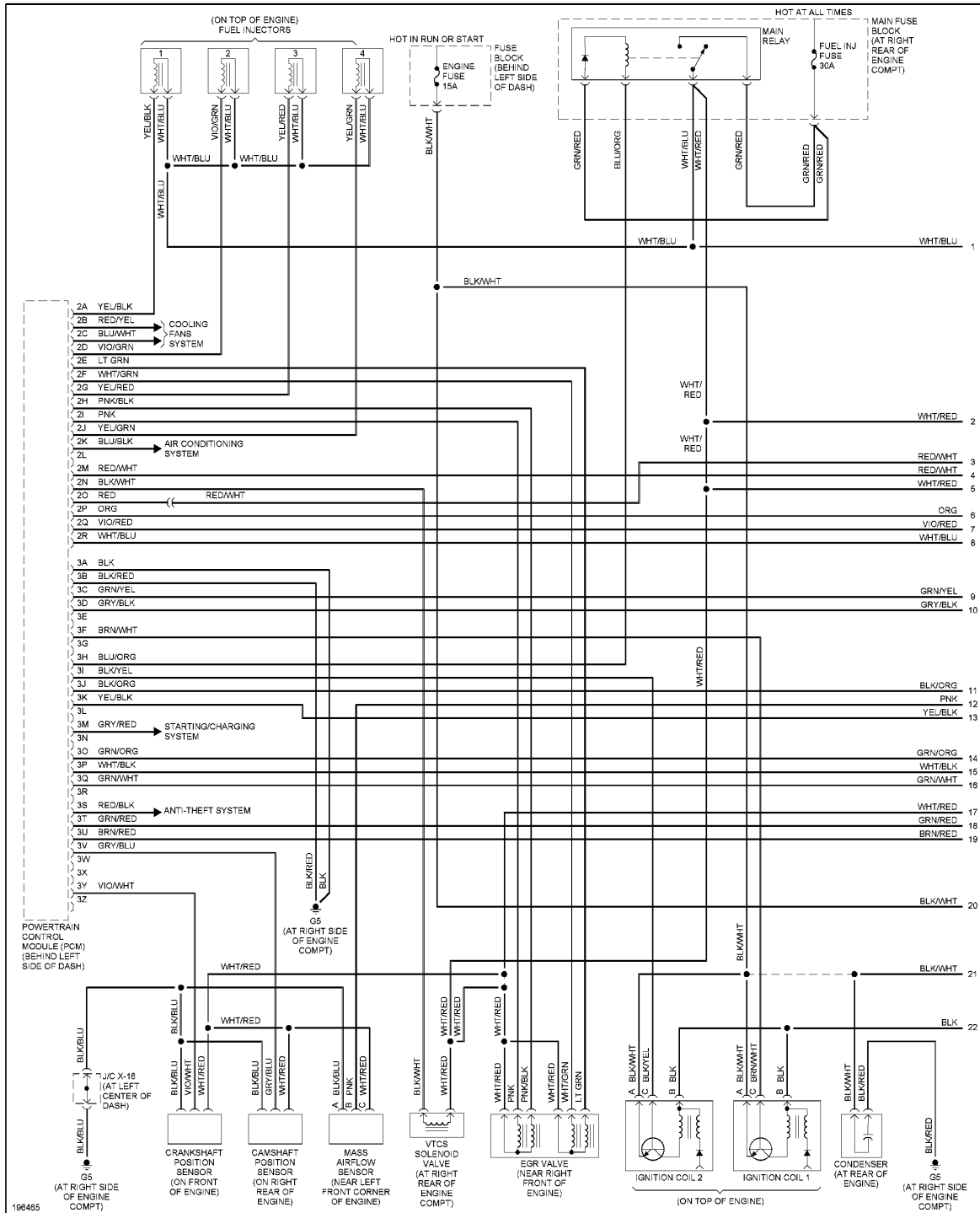
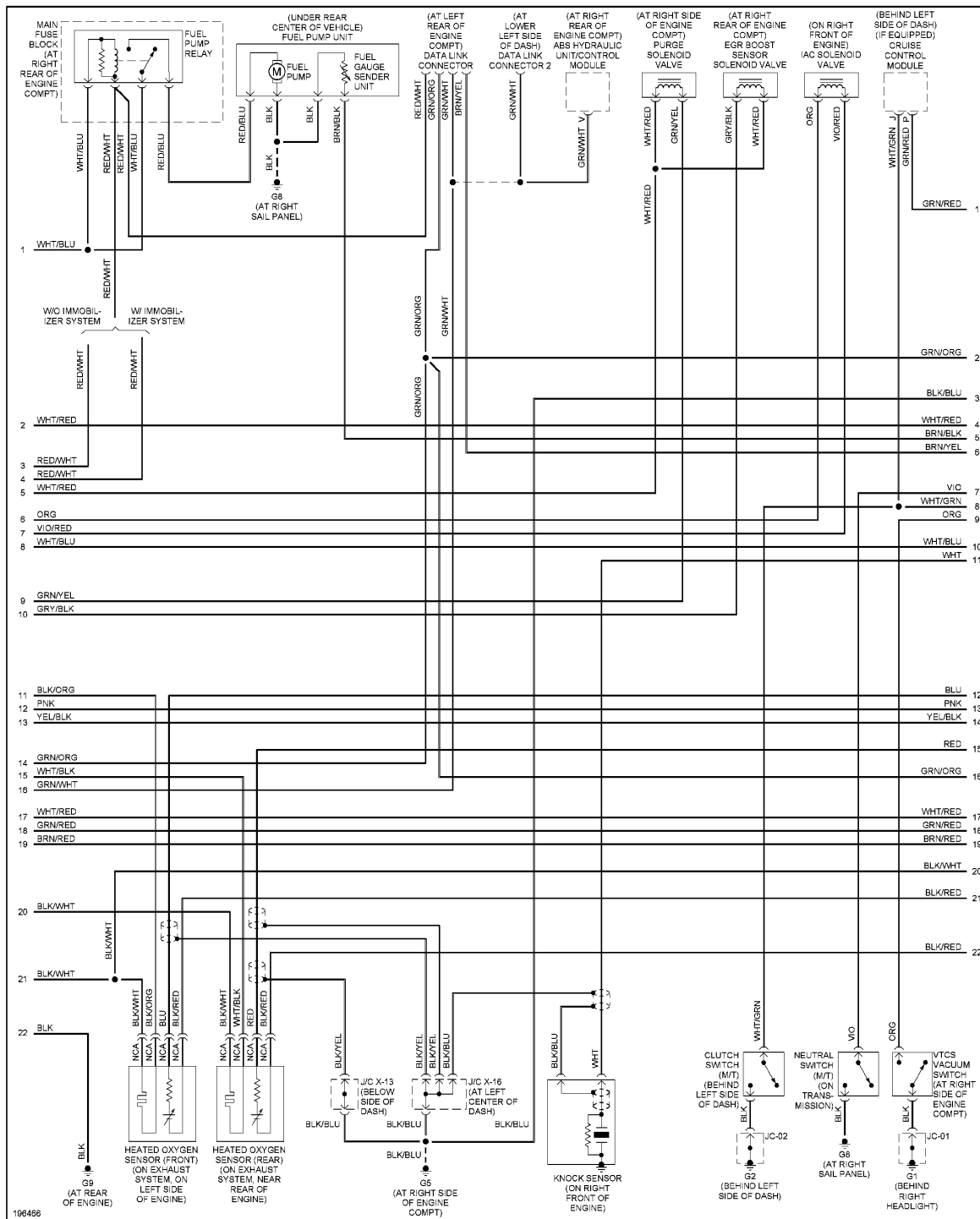


Fig. 10: Engine Performance Circuit (1 of 3)



**Fig. 11: Engine Performance Circuit (2 of 3)**

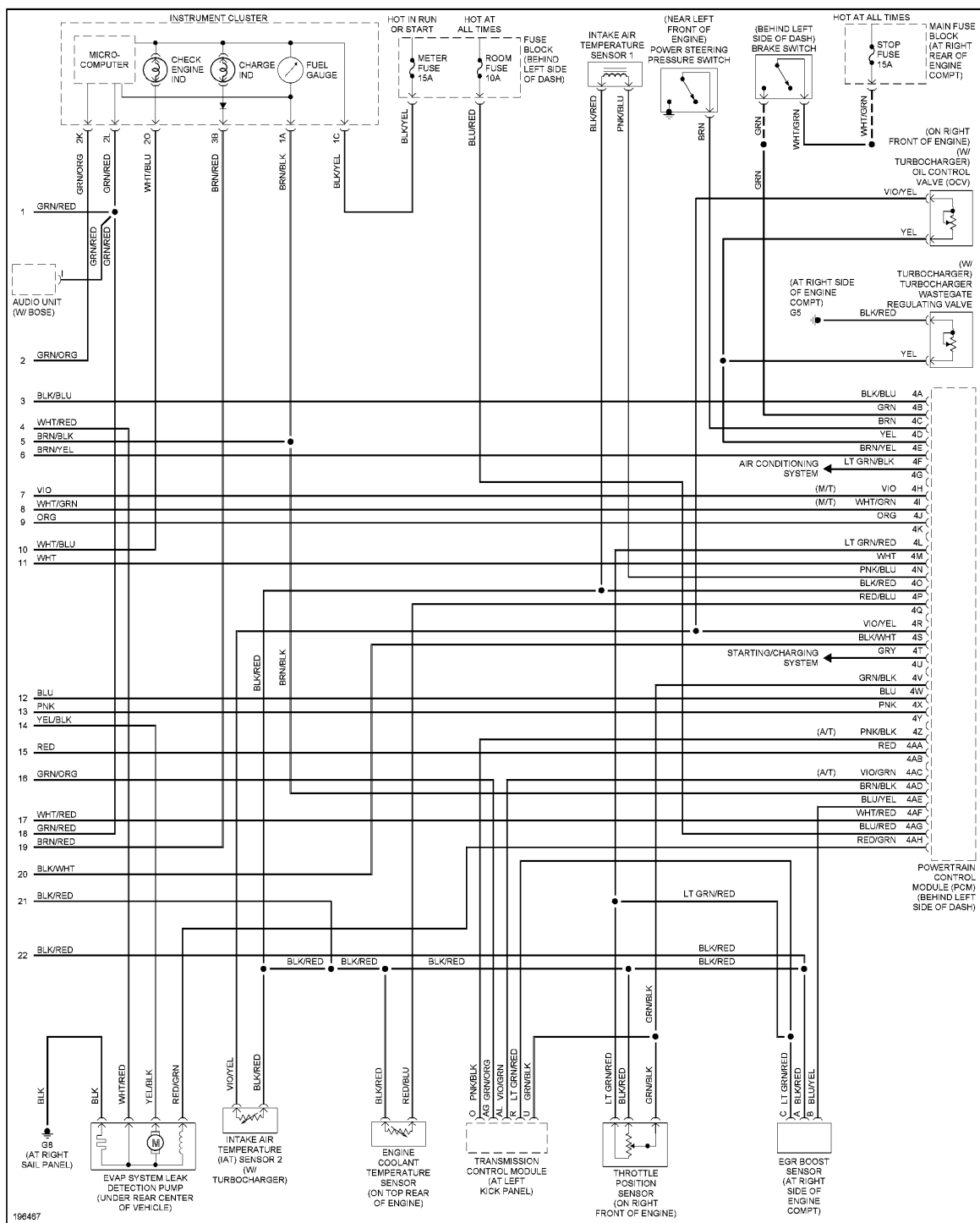
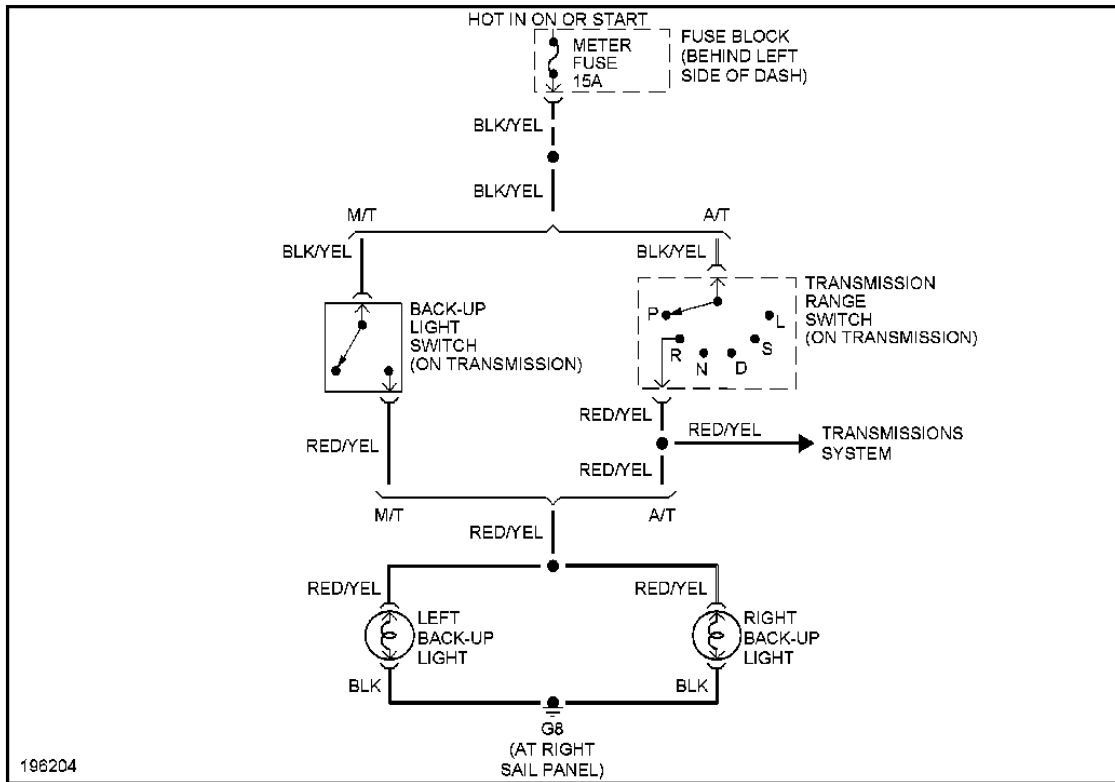


Fig. 12: Engine Performance Circuit (3 of 3)

## EXTERIOR LIGHTS



**Fig. 13: Back-up Lamps Circuit**

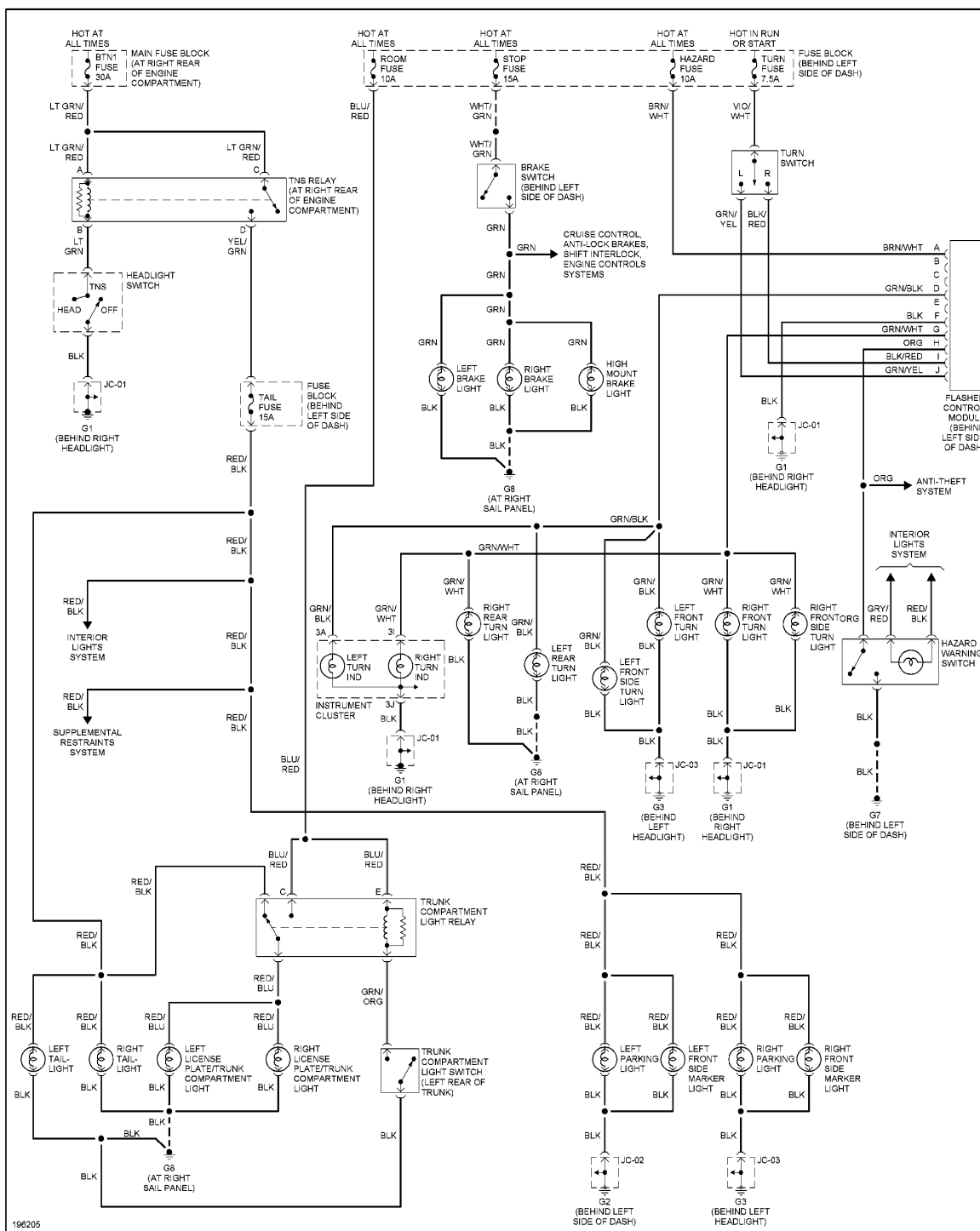
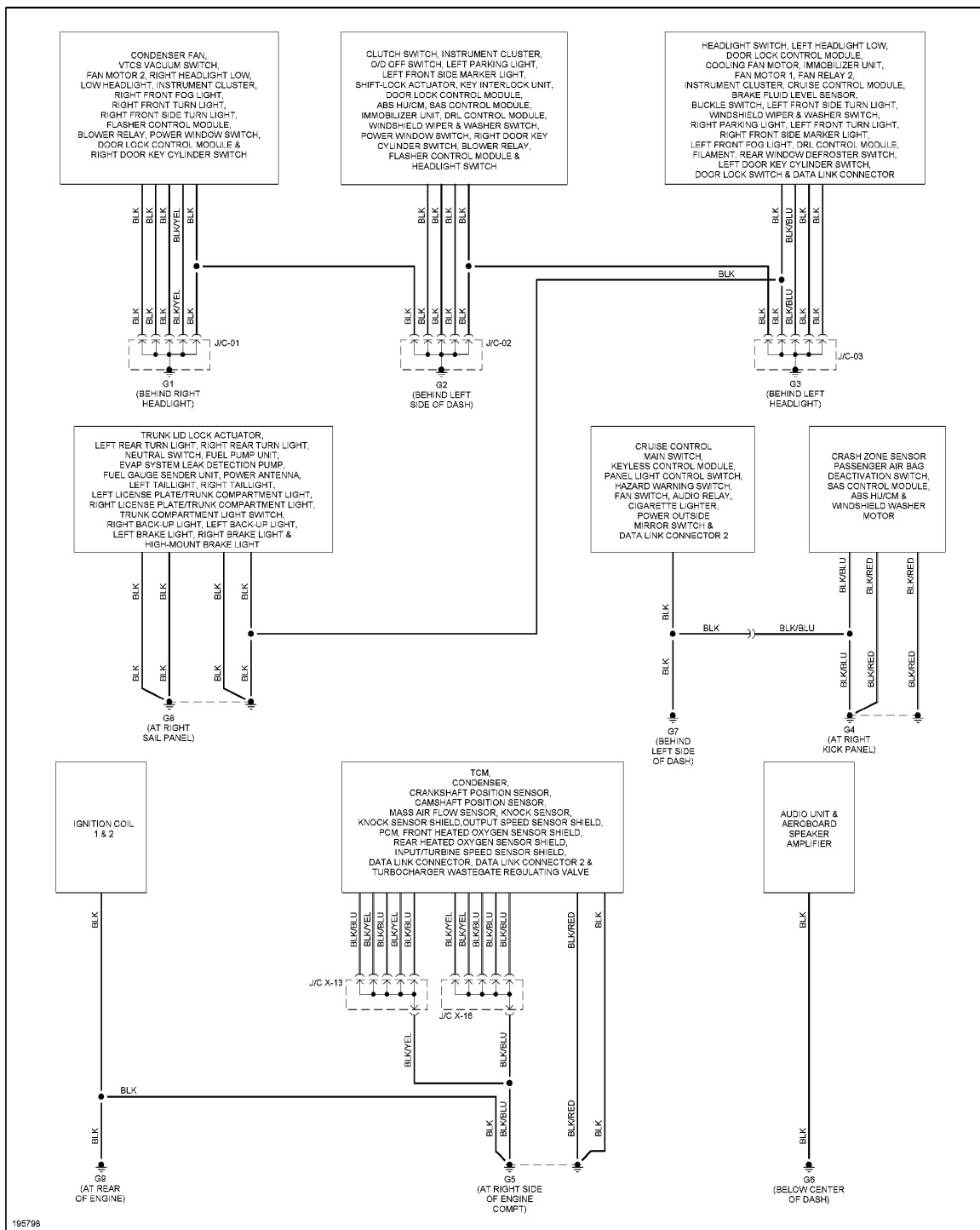


Fig. 14: Exterior Lamps Circuit

## GROUND DISTRIBUTION



**Fig. 15: Ground Distribution Circuit**

## HEADLIGHTS



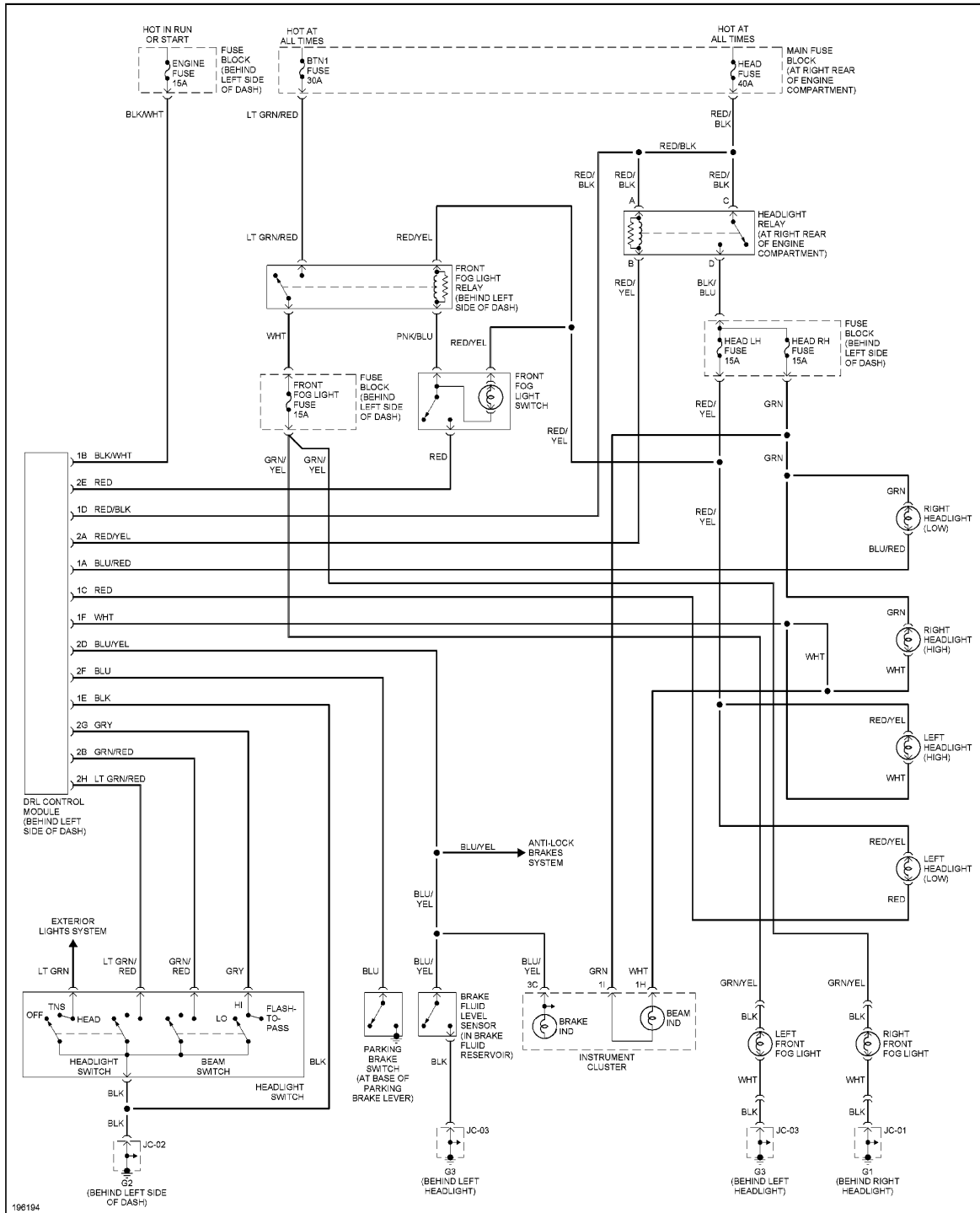
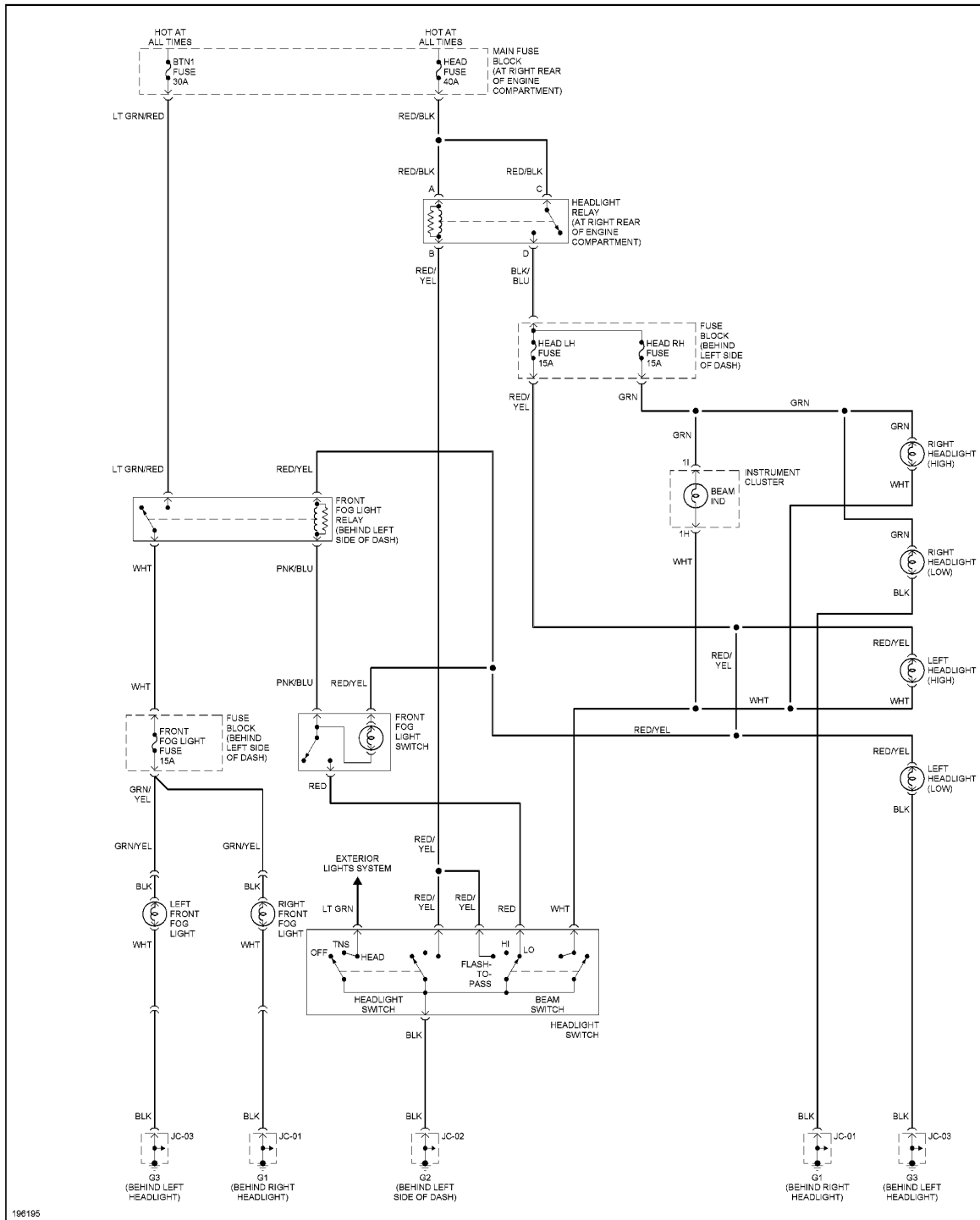
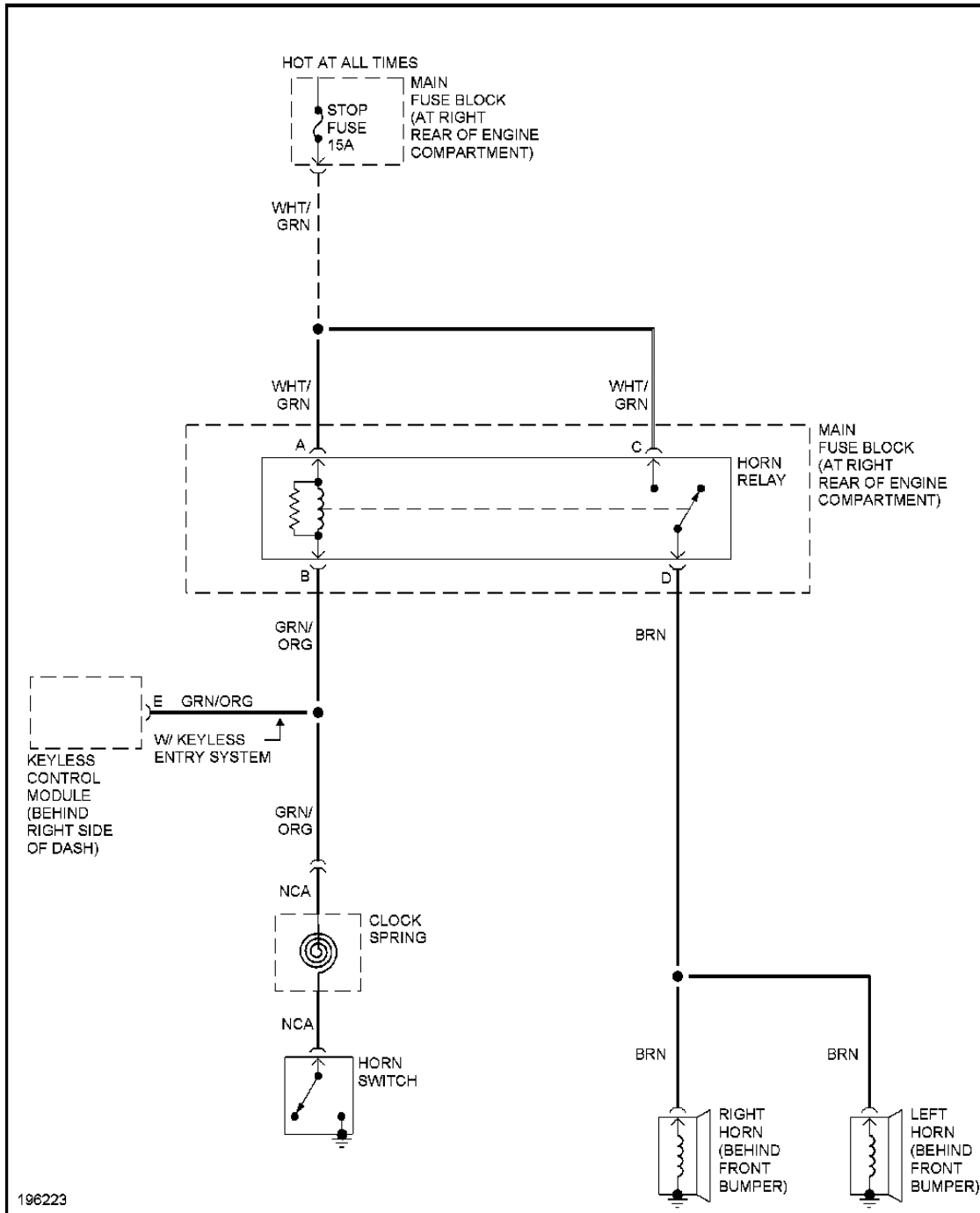


Fig. 16: Headlights Circuit, W/ DRL



**Fig. 17: Headlights Circuit, W/O DRL**

**HORN**



**Fig. 18: Horn Circuit**

**INSTRUMENT CLUSTER**

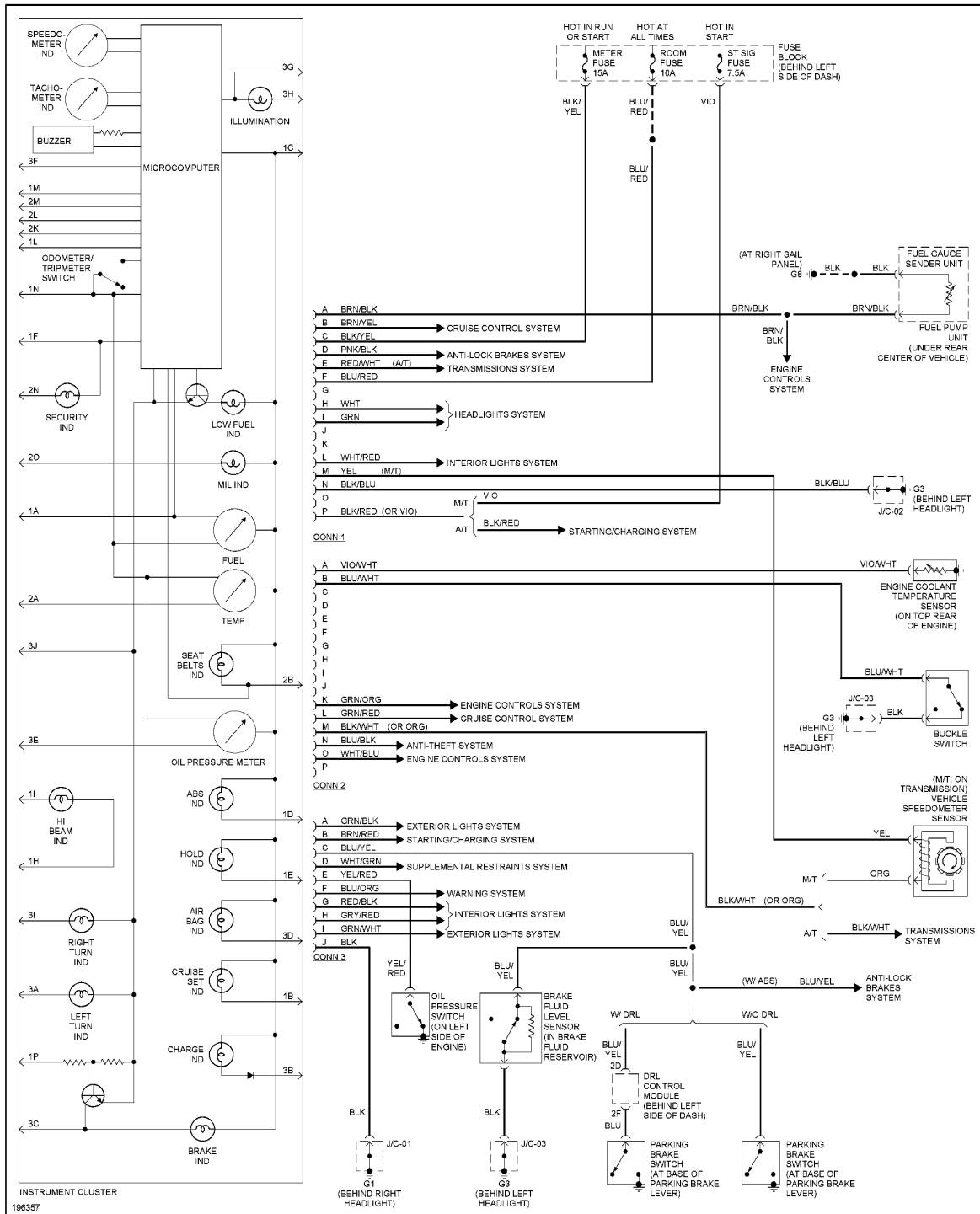
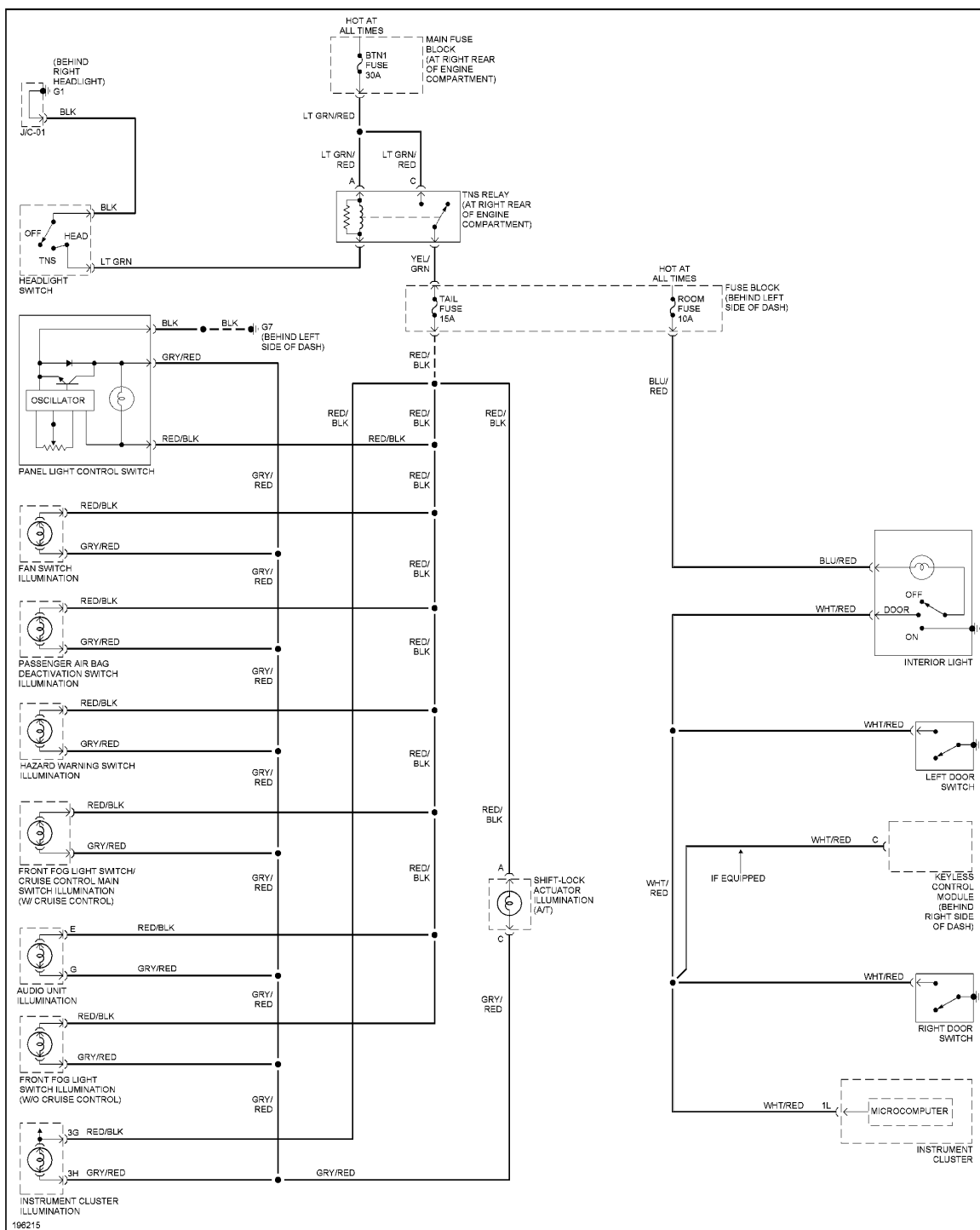


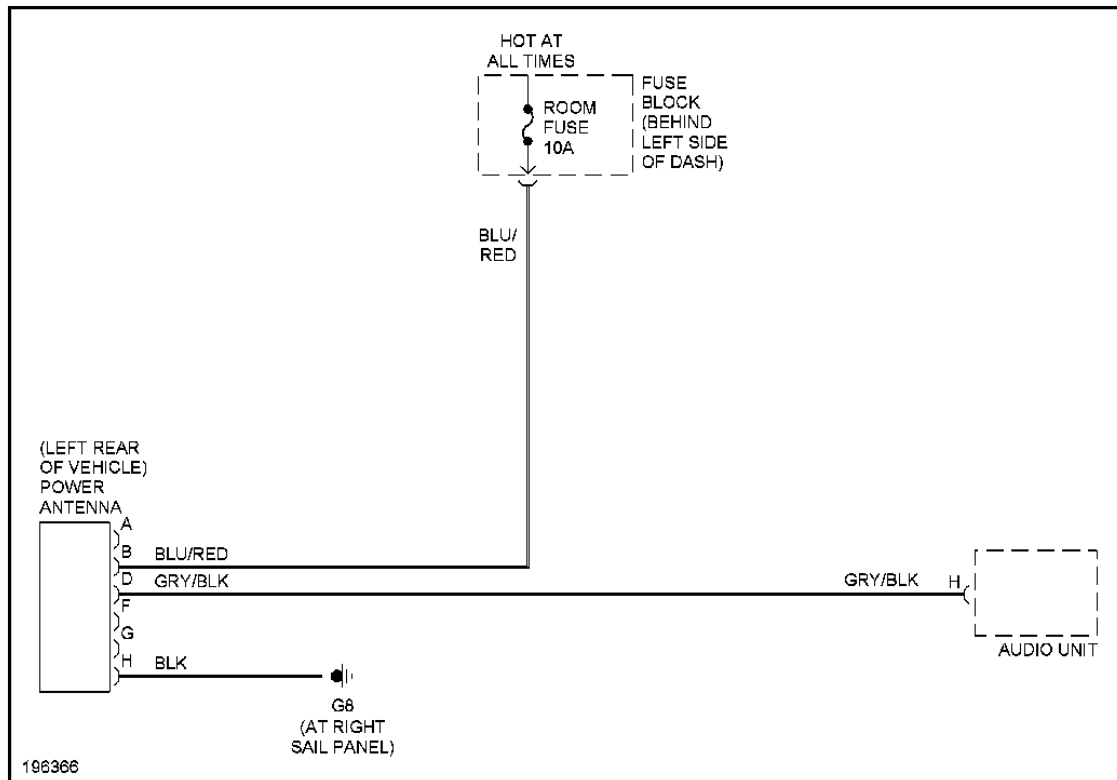
Fig. 19: Instrument Cluster Circuit

## INTERIOR LIGHTS



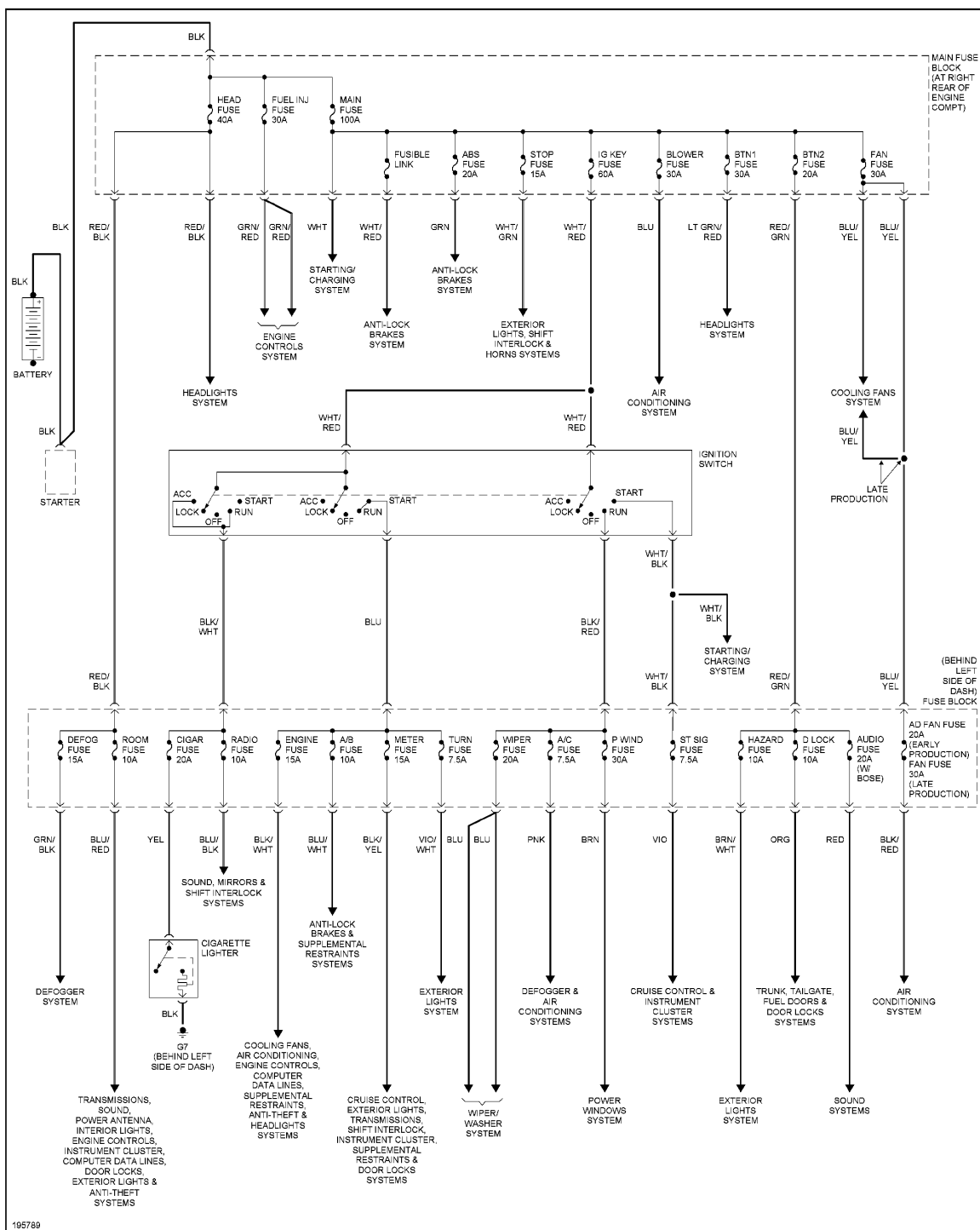
**Fig. 20: Interior Lights Circuit**

## POWER ANTENNA



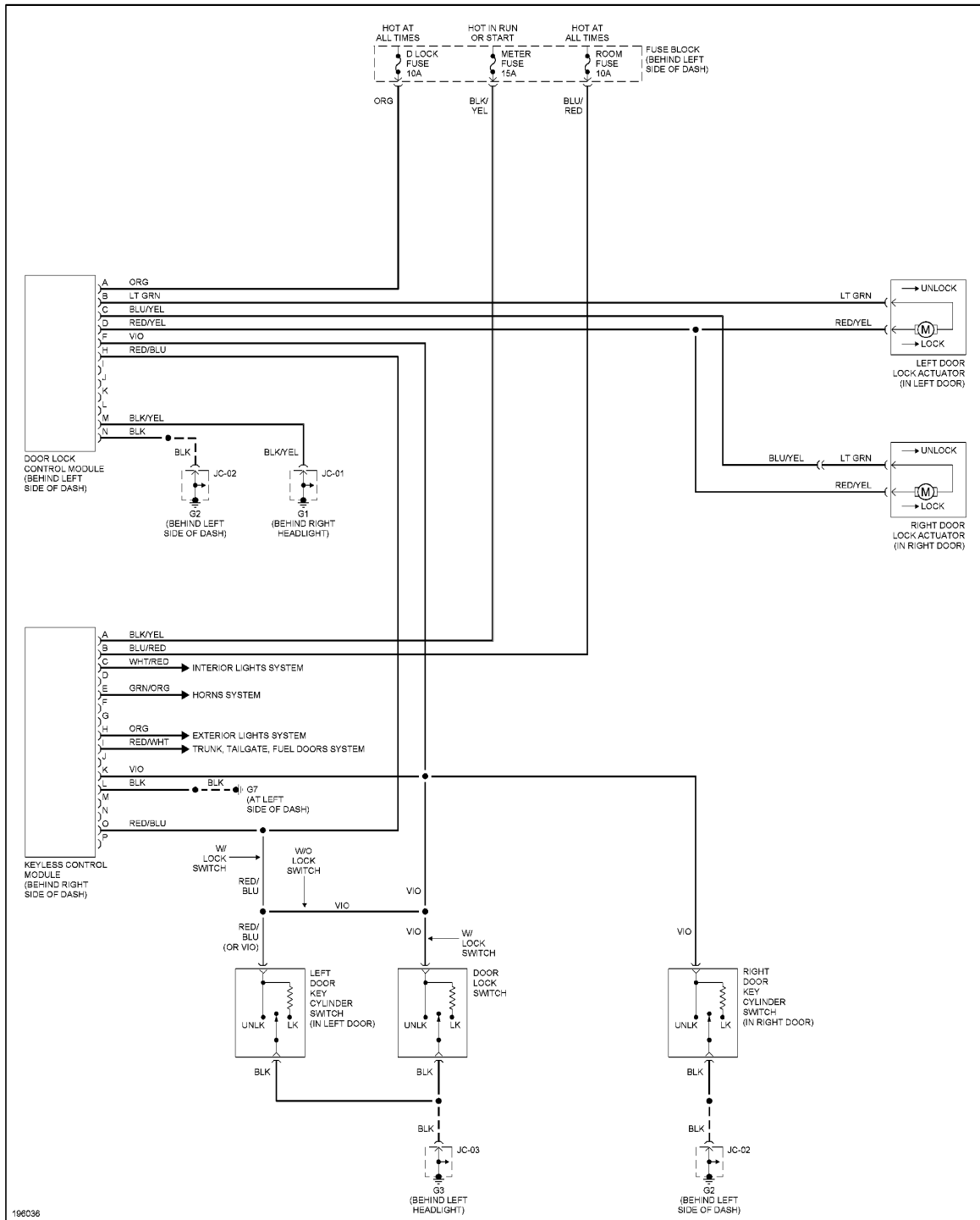
**Fig. 21: Power Antenna Circuit**

## **POWER DISTRIBUTION**



**Fig. 22: Power Distribution Circuit**

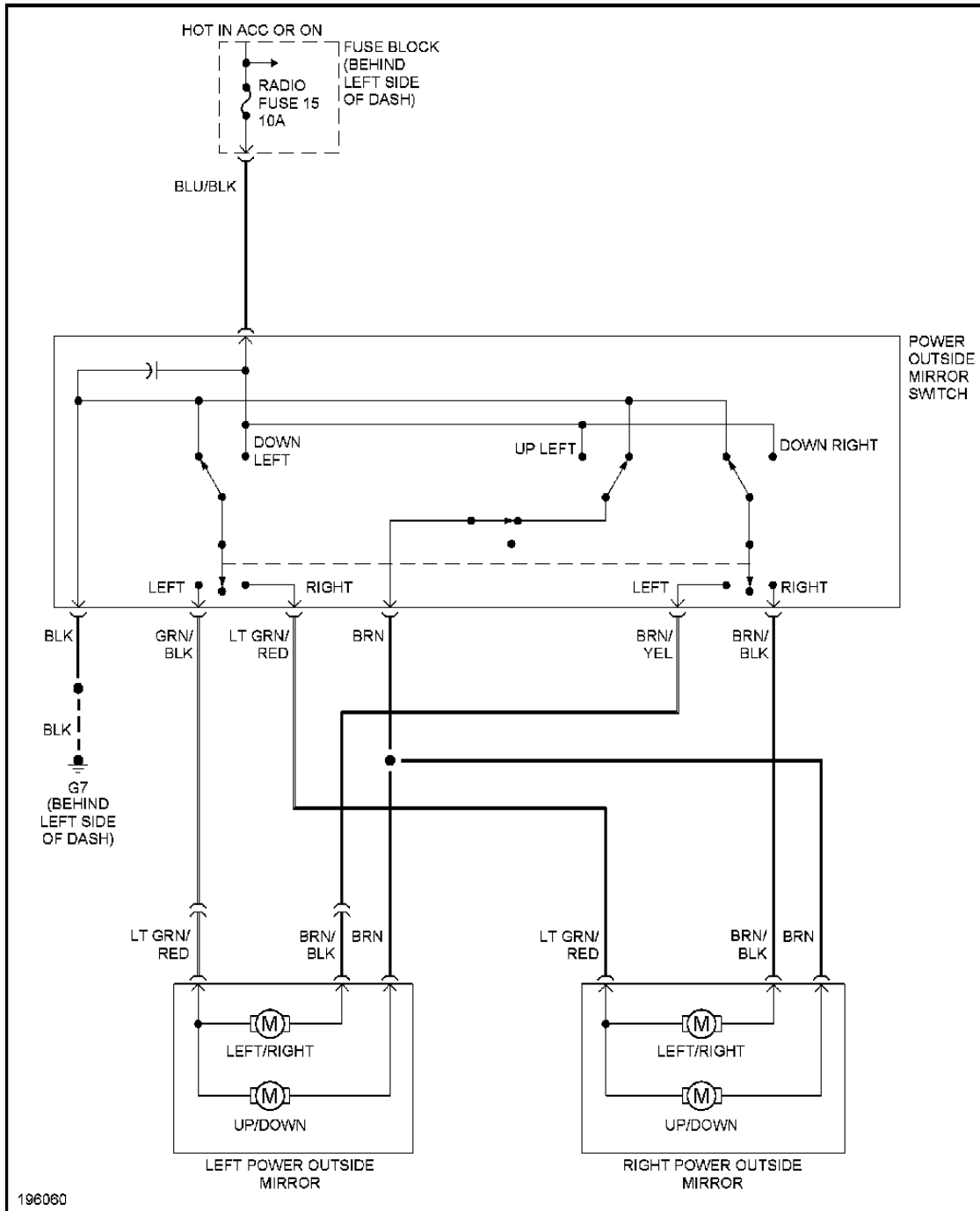
## POWER DOOR LOCKS



**Fig. 23: Power Door Locks Circuit**

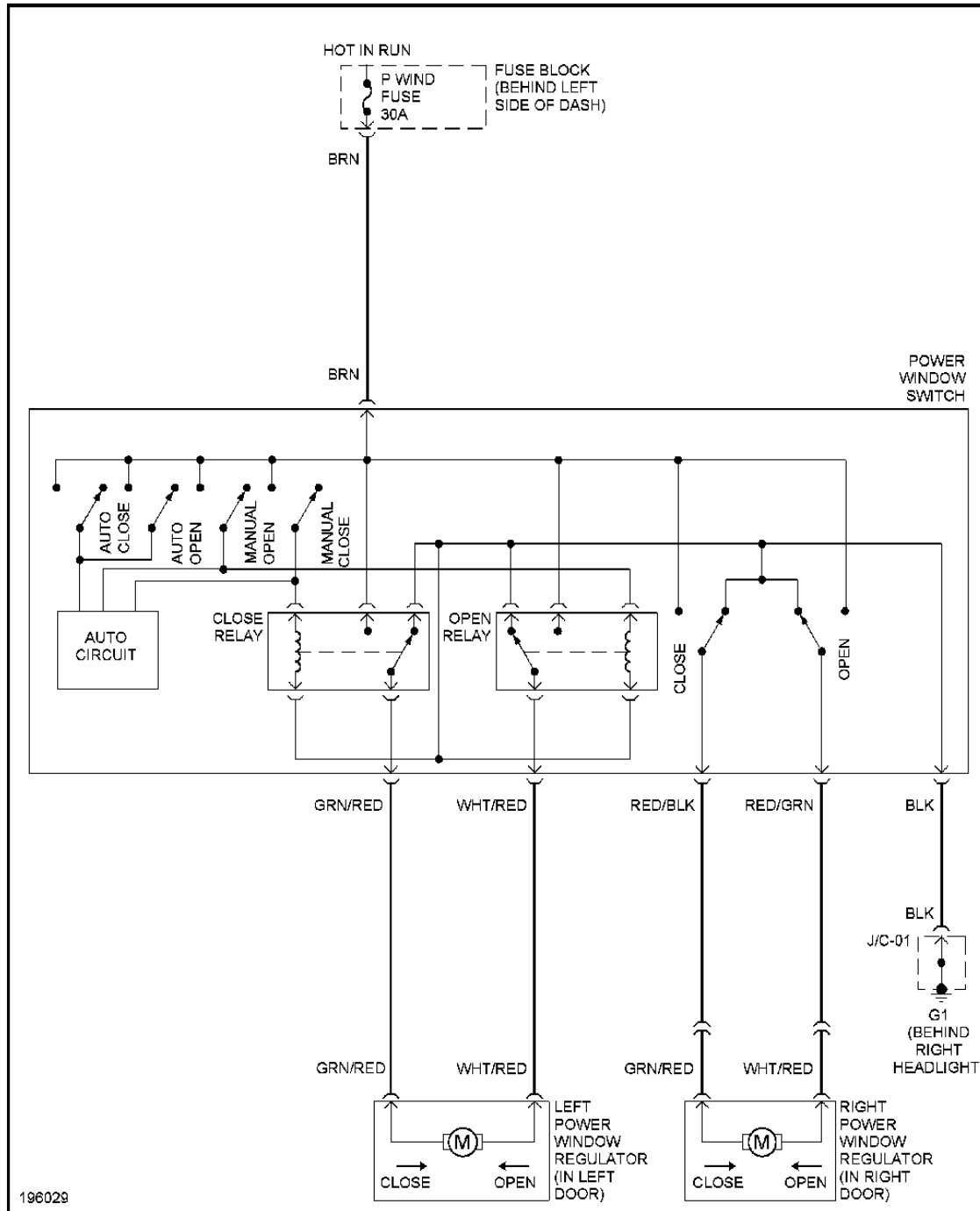
## POWER MIRRORS





**Fig. 24: Power Mirrors Circuit**

**POWER WINDOWS**



**Fig. 25: Power Windows Circuit**

**RADIO**

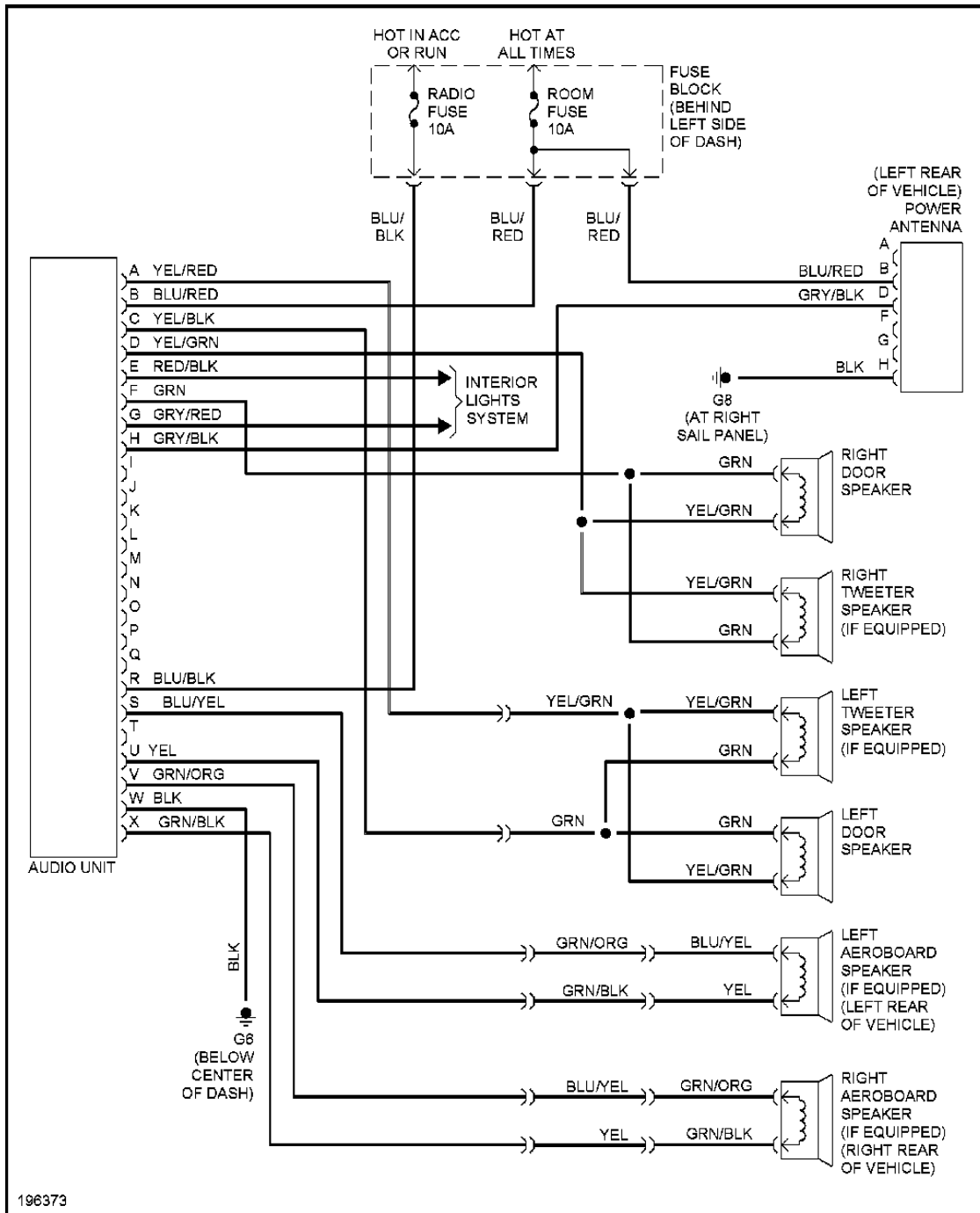


Fig. 26: Radio Circuit, Base

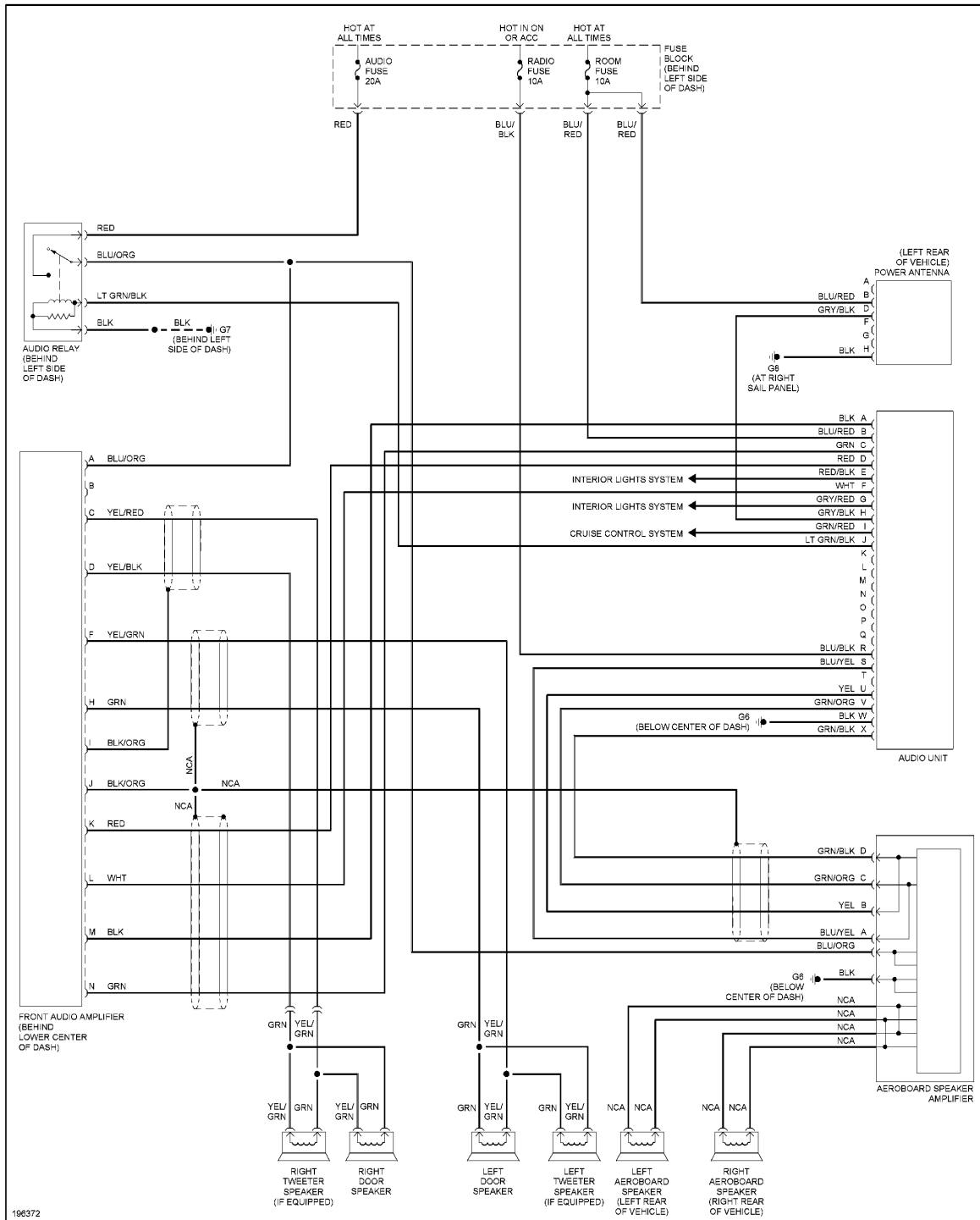
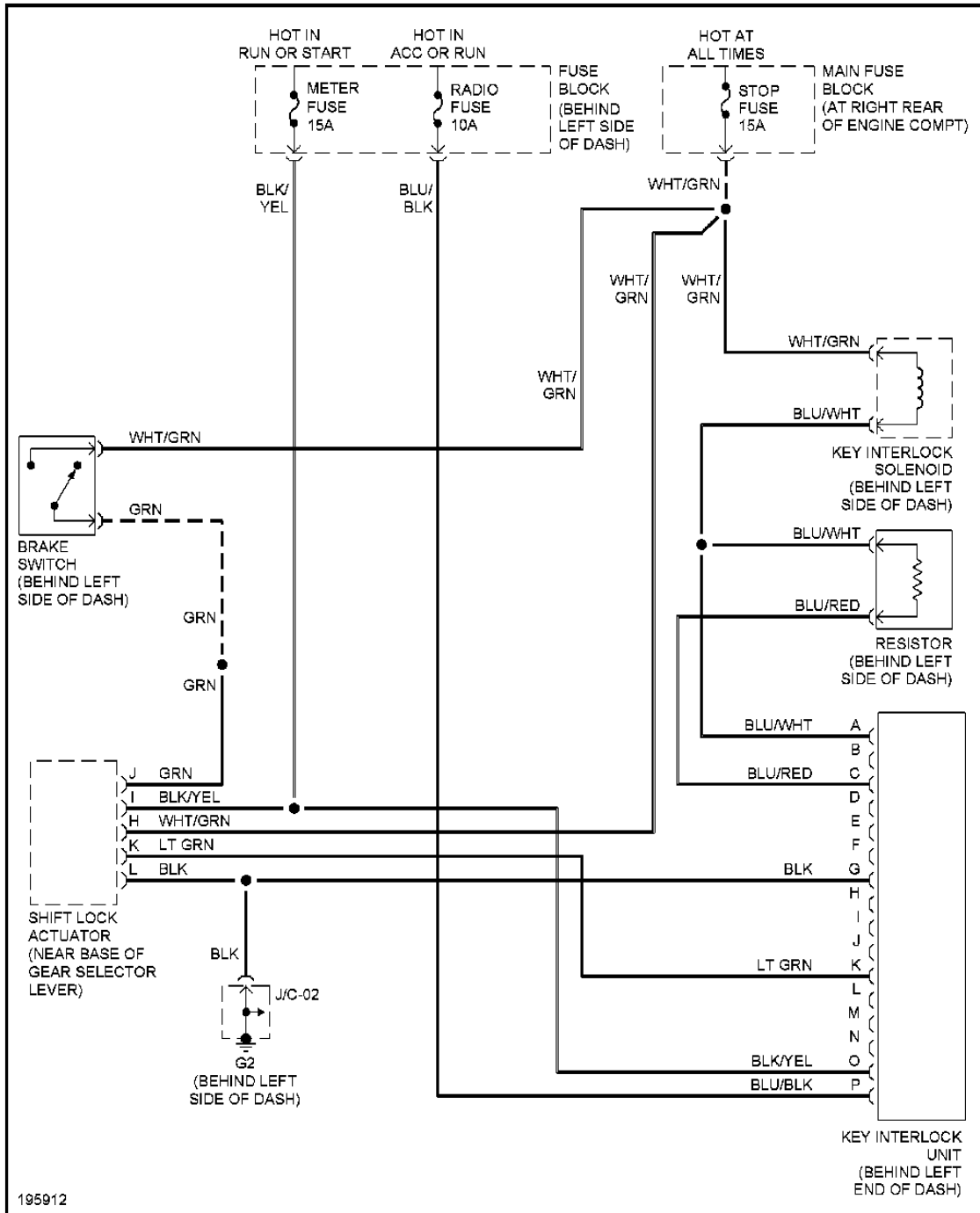


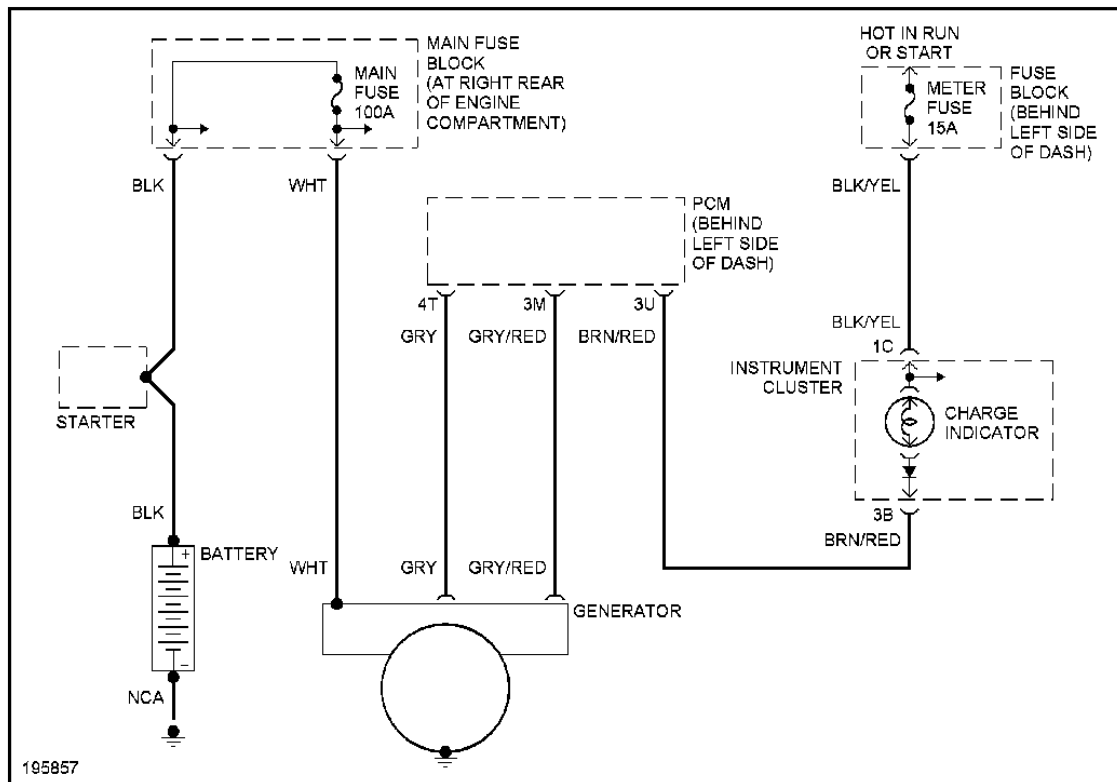
Fig. 27: Radio Circuit, Bose

## SHIFT INTERLOCK

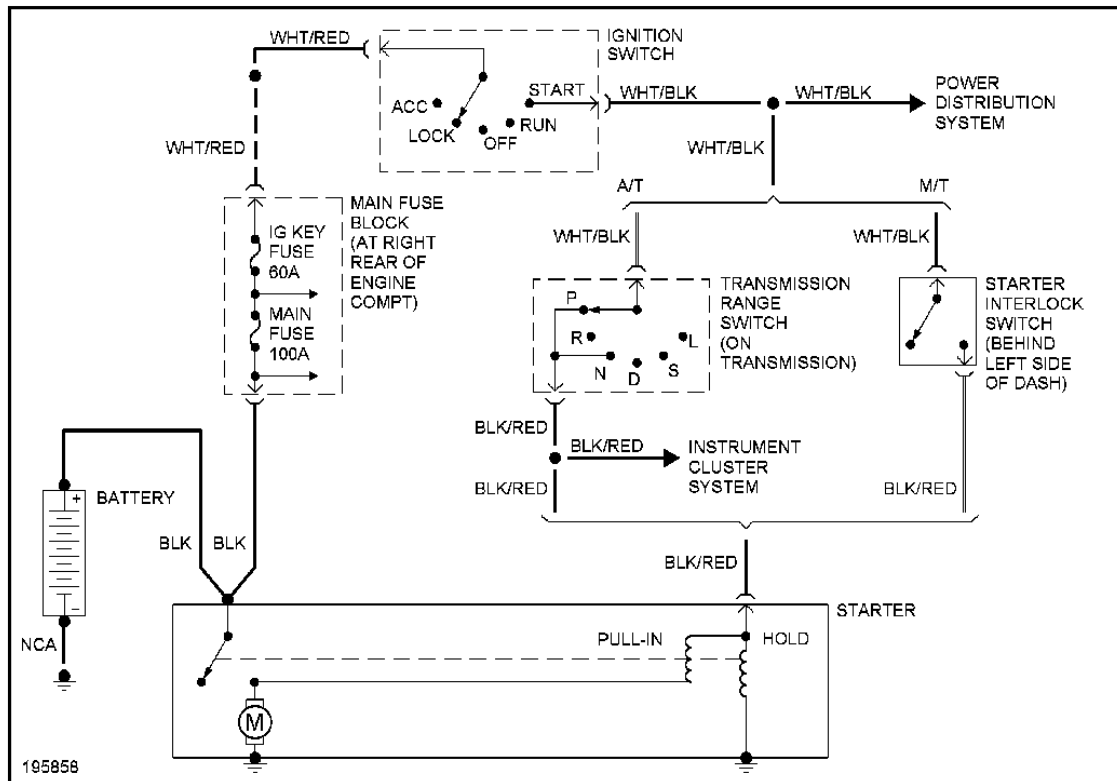


**Fig. 28: Shift Interlock Circuit**

## STARTING/CHARGING

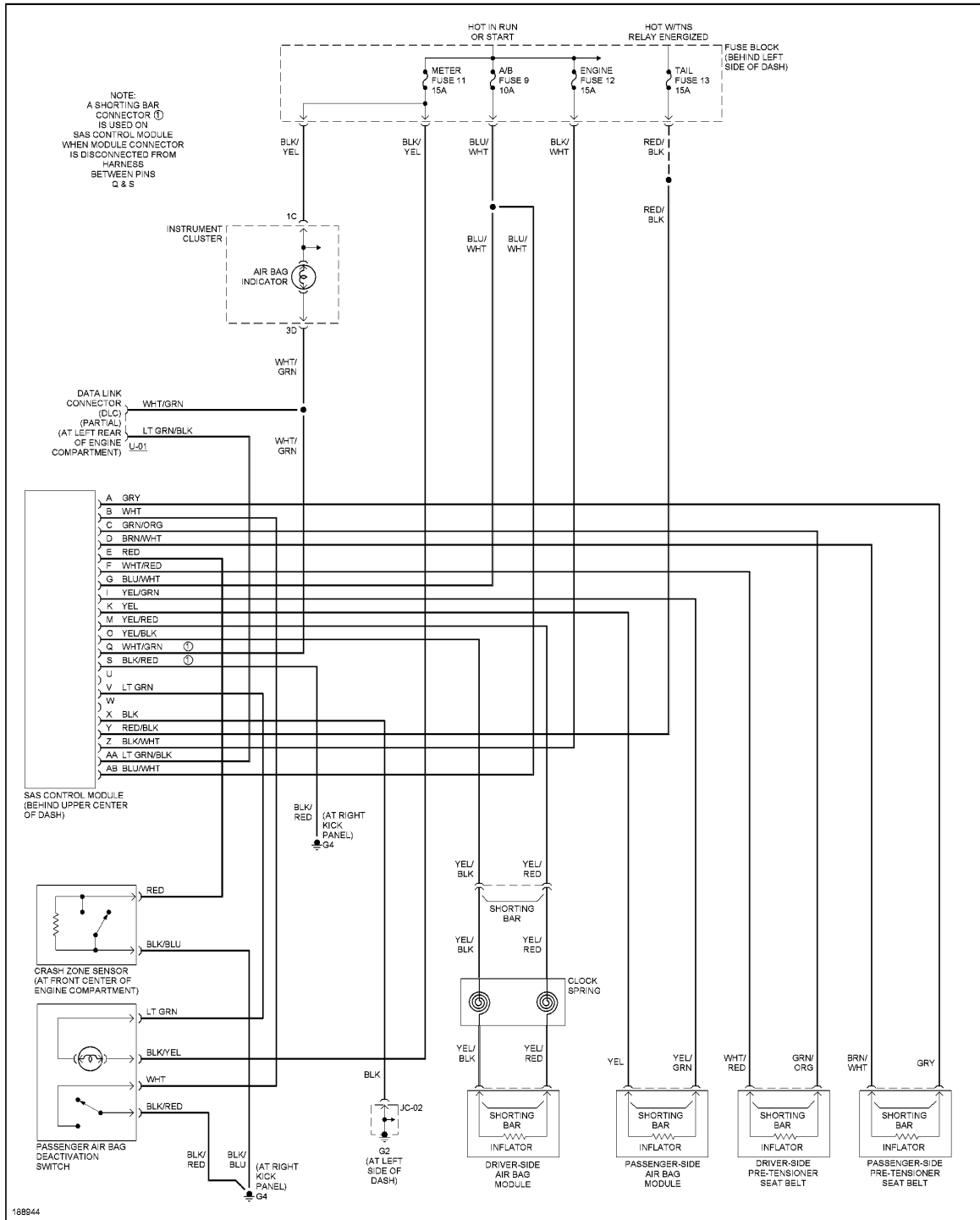


**Fig. 29: Charging Circuit**



**Fig. 30: Starting Circuit**

**SUPPLEMENTAL RESTRAINTS**



**Fig. 31: Supplemental Restraints Circuit**

**TRANSMISSION**



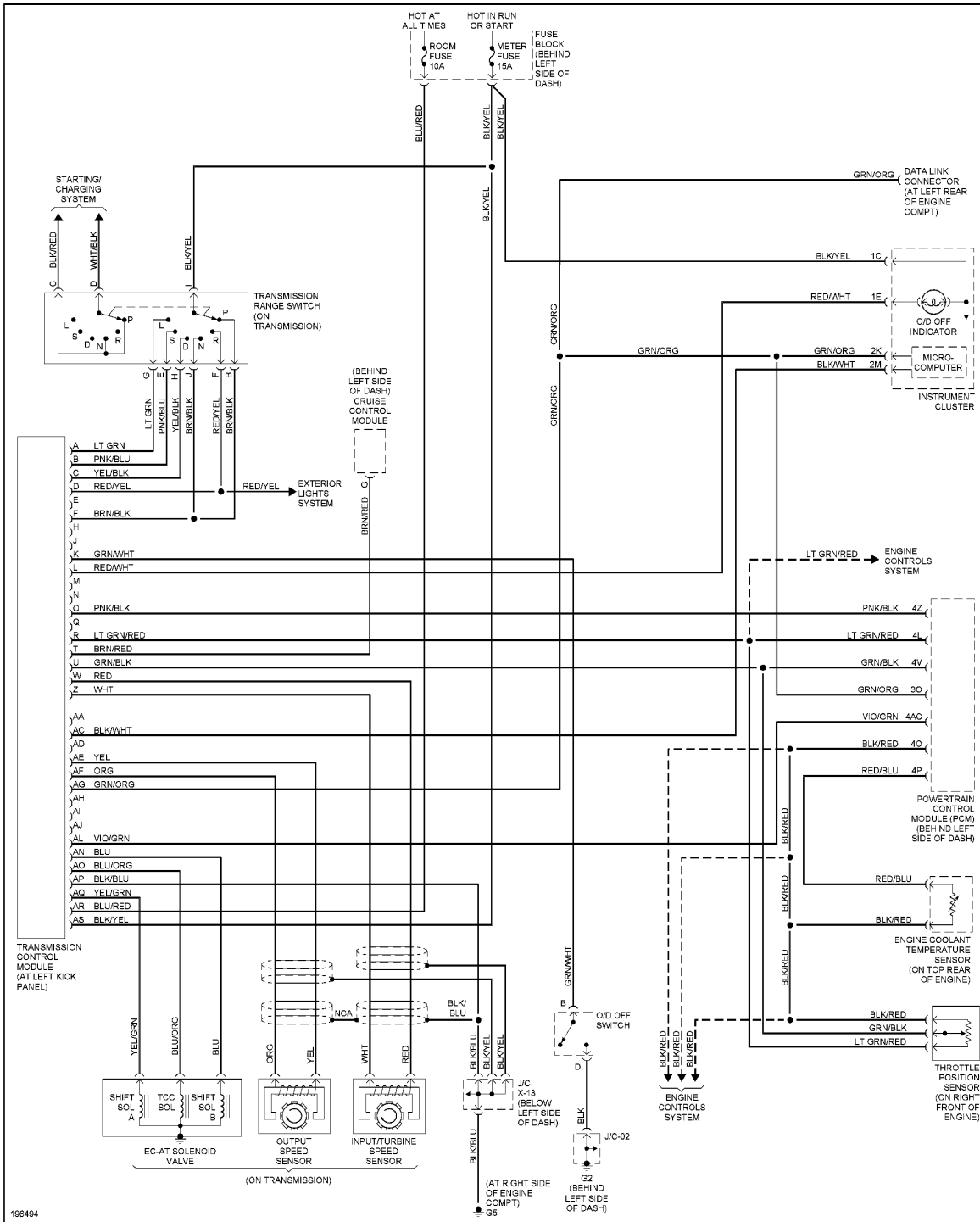
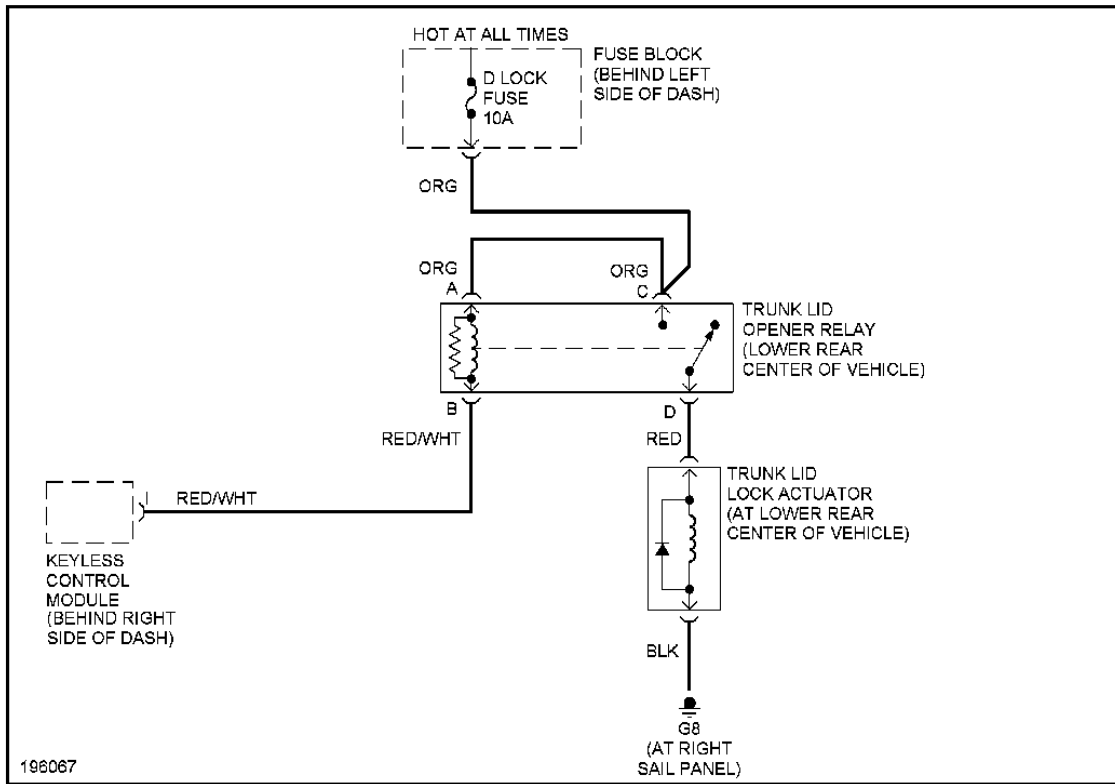


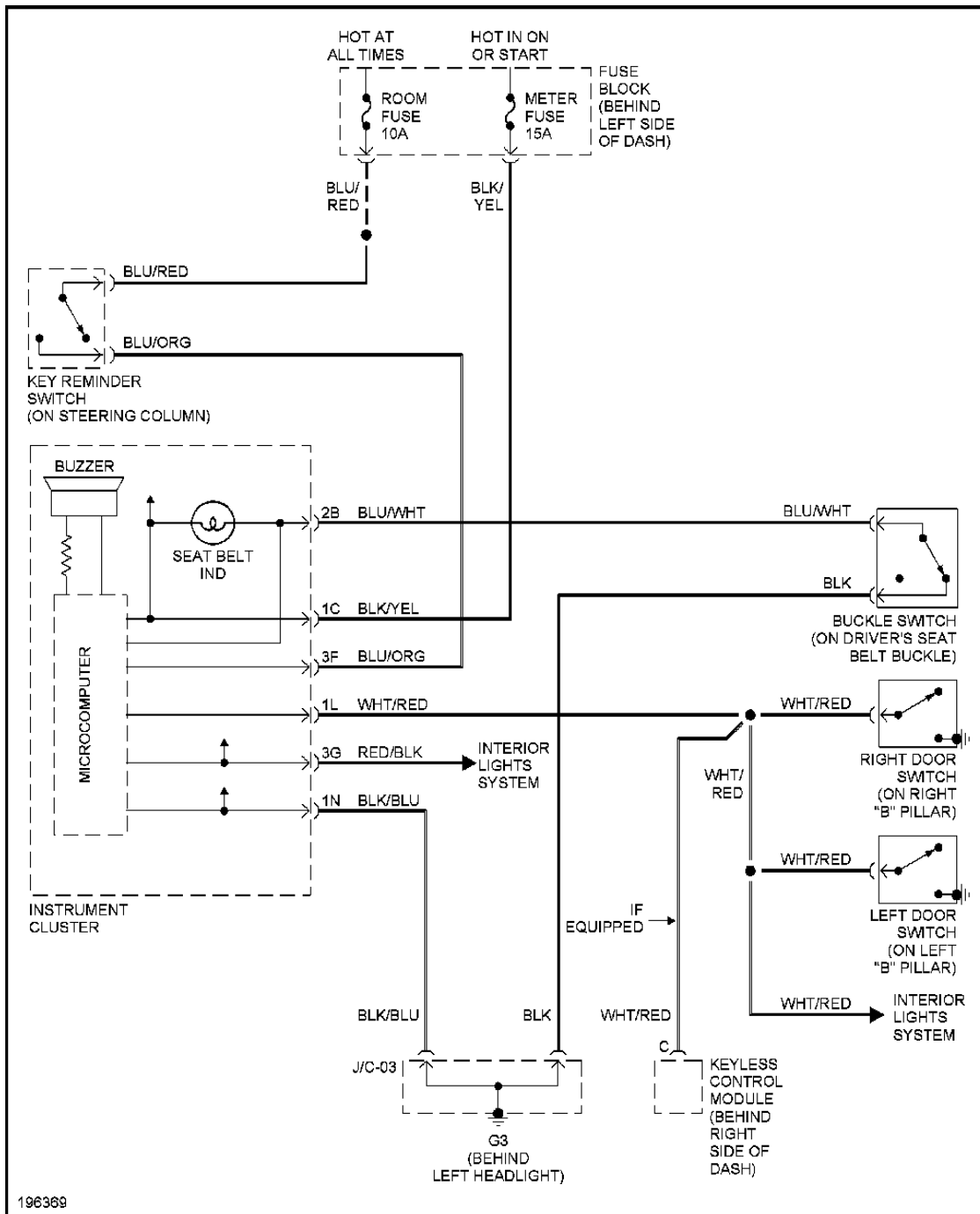
Fig. 32: A/T Circuit

## TRUNK, TAILGATE, FUEL DOOR



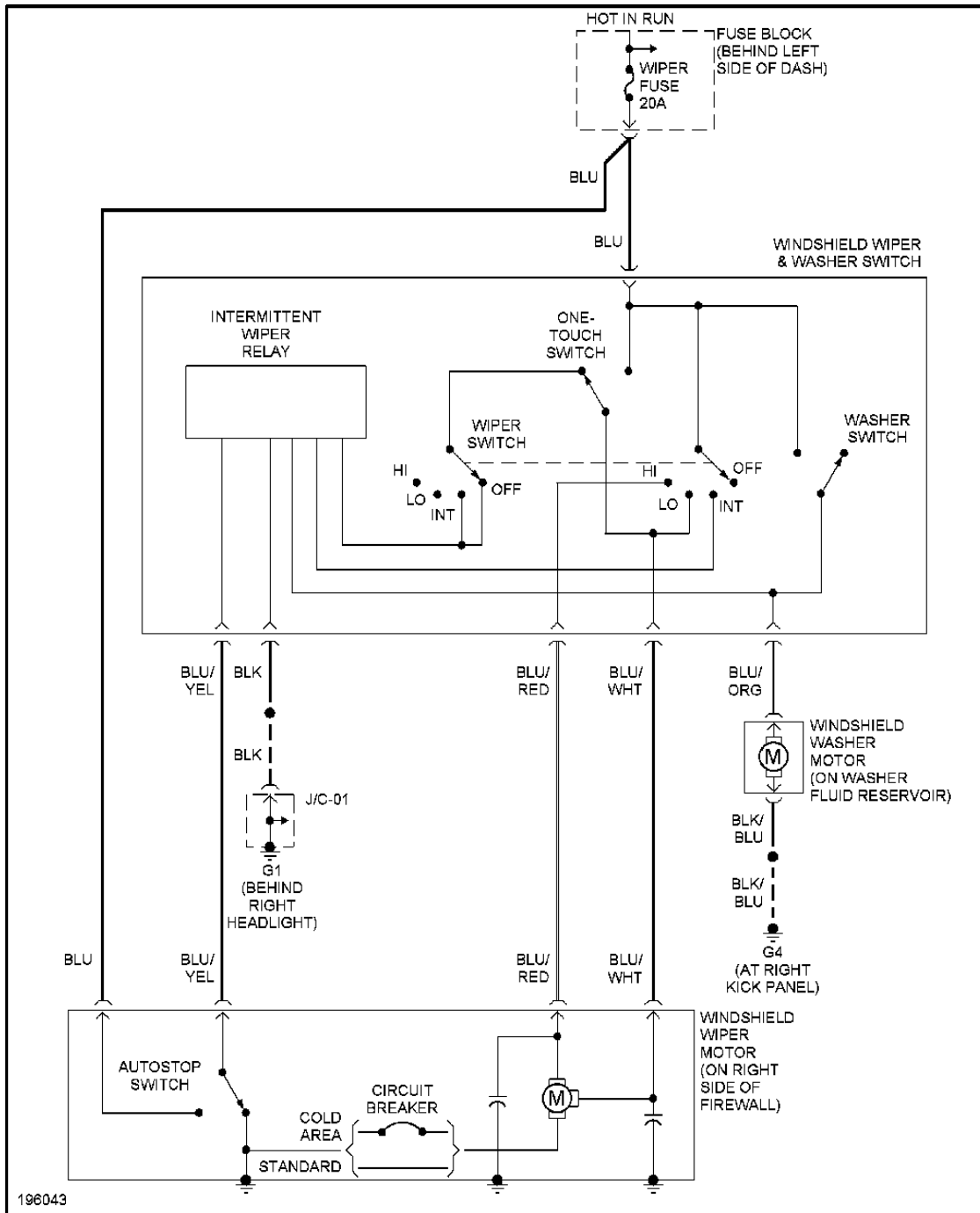
**Fig. 33: Trunk Release Circuit**

**WARNING SYSTEMS**



**Fig. 34: Warning Systems Circuit**

**WIPER/WASHER**



**Fig. 35: Wiper/Washer Circuit**

Copyright 2006 Mitchell Repair Information Company, LLC. All Rights Reserved.

Article GUID: A00168548