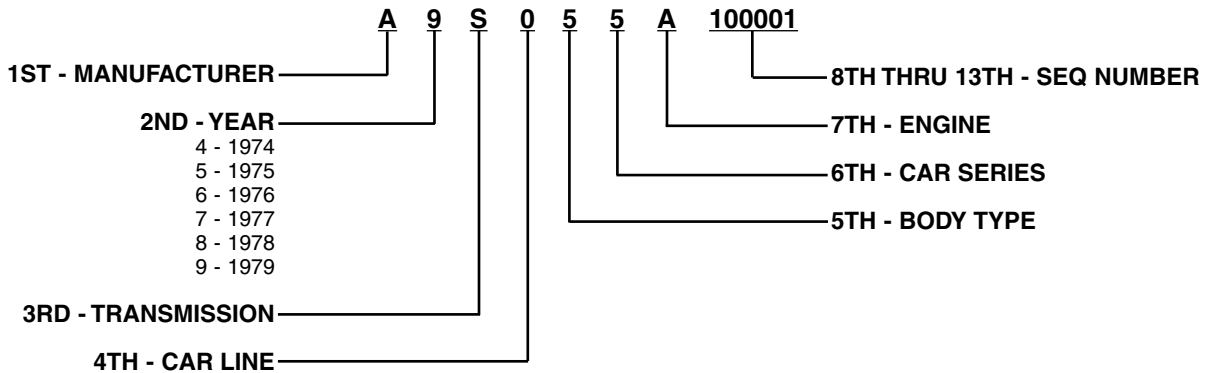


AMC/EAGLE

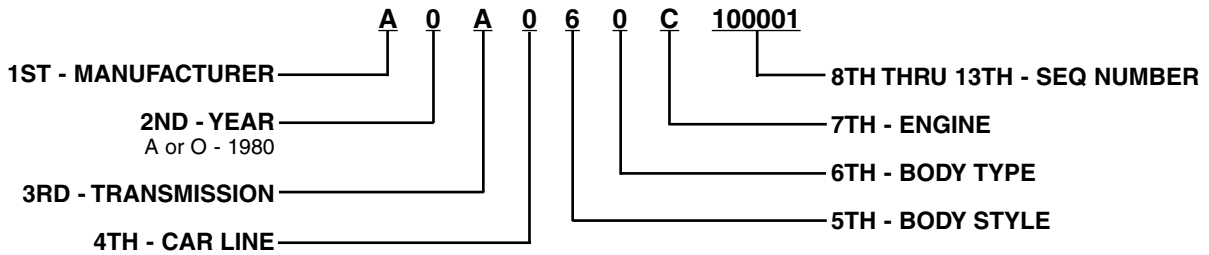
LOCATION: The Vehicle Identification Number (VIN) is stamped on a metal plate. The plate is riveted to the upper left corner of the instrument panel and is visible from outside the vehicle through the windshield. On later model vehicles, the number can also be found on the Federal Certification Label attached to edge of left door above door latch.

SAMPLE VIN:

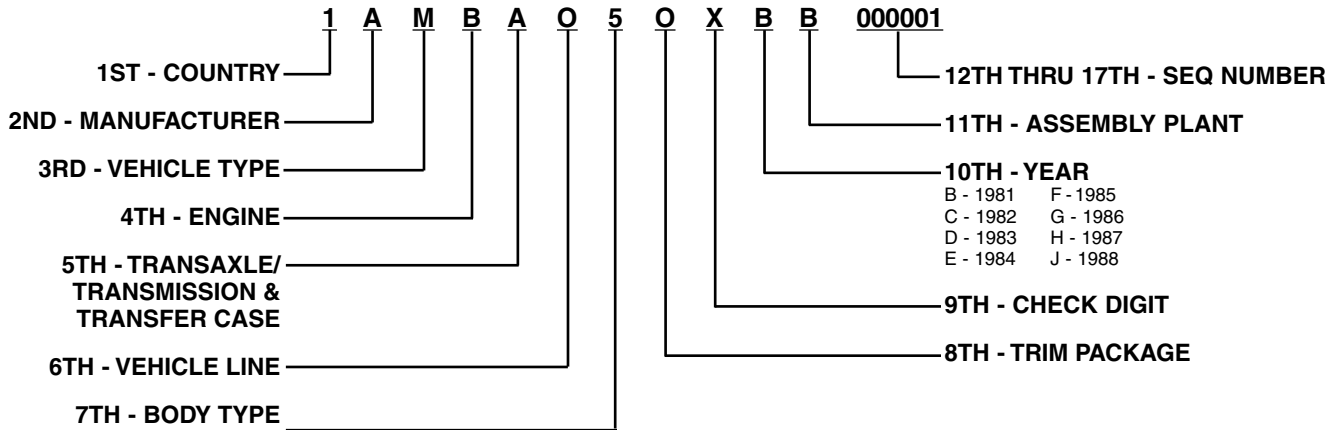
1974-79
(13 DIGIT NUMBER)



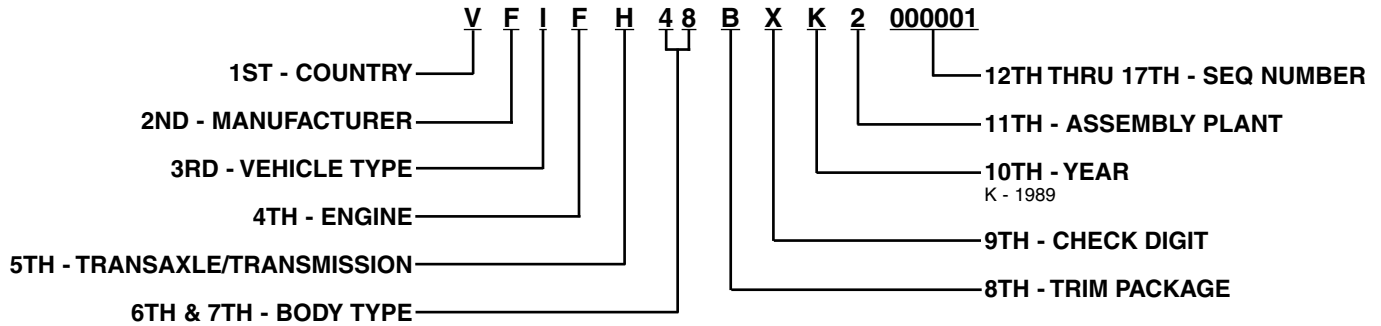
1980
(13 DIGIT NUMBER)



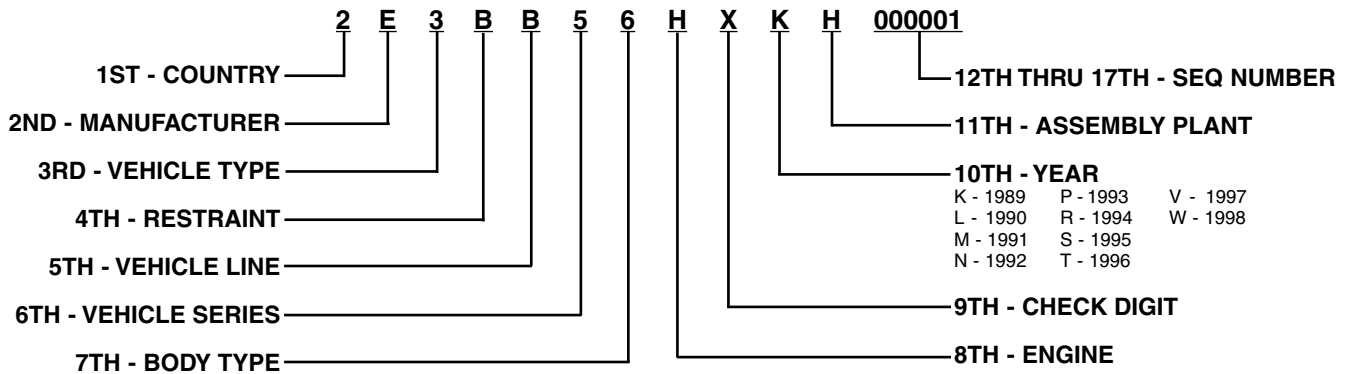
1981-88
(17 DIGIT NUMBER)



1989-98
(17 DIGIT NUMBER)
Medallion



Premier, Summit, Summit Wagon, Talon, Vision



1974 AMC/EAGLE

- 1st Position - MANUFACTURER**
A American Motors Corporation
- 2nd Position - MODEL YEAR**
4 1974
- 3rd Position - TRANSMISSION**
A Auto, Col Shift
C Auto, Flr Shift
E 3 Spd Man, Flr Shift
M 4 Spd Man, Flr Shift
S 3 Spd Man, Col Shift
- 4th Position - SERIES**
0 Hornet
1 Matador
4 Gremlin
7 Javelin
8 Ambassador
- 5th Position - BODY TYPE**
3 2 Dr Hatchback
5 4 Dr Sed
6 2 Dr Sed (Cpe)
8 4 Dr S/W
9 4 Dr HT
- 6th Position - MODEL**
5 Gremlin
7 Ambassador Brougham
Hornet
Javelin
Matador
8 Javelin AMX
Matador X
9 Matador Brougham
P Police
T Taxi

7th Position - ENGINE TYPE

- | | | |
|---|-------------|-----|
| A | 6-258 (4.2) | 1BC |
| E | 6-232 (3.8) | 1BC |
| H | 8-304 (5.0) | 2BC |
| N | 8-360 (5.9) | 2BC |
| P | 8-360 (5.9) | 4BC |
| Z | 8-401 (6.6) | 4BC |

8th thru 13th Positions - SEQUENCE NUMBER
A sequential serial number assigned by the vehicle manufacturer.

1975 AMC/EAGLE

- 1st Position - MANUFACTURER**
A American Motors Corporation
- 2nd Position - MODEL YEAR**
5 1975
- 3rd Position - TRANSMISSION**
A Auto, Col Shift
C Auto, Flr Shift
D 3 Spd Man, Flr Shift, w/OD
E 3 Spd Man, Flr Shift, w/o OD
O 3 Spd Man, Col Shift, w/OD
S 3 Spd Man, Col Shift, w/o OD
- 4th Position - SERIES**
0 Hornet
1 Matador
4 Gremlin
6 Pacer
8 Matador
- 5th Position - BODY TYPE**
3 2 Dr Hatchback
5 4 Dr Sed
6 2 Dr Sed (Cpe)
8 4 Dr S/W

6th Position - MODEL

- | | |
|---|---------|
| 5 | Gremlin |
| 7 | Hornet |
| | Matador |
| | Pacer |
| P | Police |
| T | Taxi |

7th Position - ENGINE TYPE

- | | | |
|---|-------------|-----|
| A | 6-258 (4.2) | 1BC |
| E | 6-232 (3.8) | 1BC |
| H | 8-304 (5.0) | 2BC |
| N | 8-360 (5.9) | 2BC |
| P | 8-360 (5.9) | 4BC |
| Z | 8-401 (6.6) | 4BC |

8th thru 13th Positions - SEQUENCE NUMBER
A sequential serial number assigned by the vehicle manufacturer.

1976 AMC/EAGLE

- 1st Position - MANUFACTURER**
A American Motors Corporation
- 2nd Position - MODEL YEAR**
6 1976
- 3rd Position - TRANSMISSION**
A Auto, Col Shift
C Auto, Flr Shift
D 3 Spd Man, Flr Shift, w/OD
E 3 Spd Man, Flr Shift, w/o OD
O 3 Spd Man, Col Shift, w/OD
S 3 Spd Man, Col Shift, w/o OD

VEHICLE IDENTIFICATION

VIN DECODING

AMC/EAGLE

1976 AMC/EAGLE (Cont.)**4th Position - SERIES**

0 Hornet
1 Matador
4 Gremlin
6 Pacer
8 Matador

5th Position - BODY TYPE

3 2 Dr Hatchback
5 4 Dr Sed
6 2 Dr Sed (Cpe)
8 4 Dr S/W

6th Position - MODEL

5 Gremlin
7 Hornet
Matador
Pacer
P Police
T Taxi

7th Position - ENGINE TYPE

A 6-258 (4.2) 1BC
C 6-258 (4.2) 2BC
E 6-232 (3.8) 1BC
H 8-304 (5.0) 2BC
N 8-360 (5.9) 2BC
P 8-360 (5.9) 4BC
Z 8-401 (6.6) 4BC

8th thru 13th Positions - SEQUENCE NUMBER

A sequential serial number assigned by the vehicle manufacturer.

1977 AMC/EAGLE**1st Position - MANUFACTURER**

A American Motors Corporation

2nd Position - MODEL YEAR

7 1977

3rd Position - TRANSMISSION

A Auto, Col Shift
C Auto, Flr Shift
E 3 Spd Man, Flr Shift
M 4 Spd Man, Flr Shift

4th Position - SERIES

0 Hornet
1 Matador
4 Gremlin
6 Pacer
8 Matador

5th Position - BODY TYPE

3 2 Dr Hatchback
5 4 Dr Sed
6 2 Dr Sed (Cpe)
8 S/W

6th Position - MODEL

4 Gremlin (4 Cyl)
5 Gremlin (Base)
7 Hornet
Gremlin (Custom)
Matador
Pacer

7th Position - ENGINE TYPE

A 6-258 (4.2) 1BC
C 6-258 (4.2) 2BC
E 6-232 (3.8) 1BC
G 4-121 (2.0) 2BC
H 8-304 (5.0) 2BC
K 4-121 (2.0) 2BC
N 8-360 (5.9) 2BC

8th thru 13th Positions - SEQUENCE NUMBER

A sequential serial number assigned by the vehicle manufacturer.

1978 AMC/EAGLE**1st Position - MANUFACTURER**

A American Motors Corporation

2nd Position - MODEL YEAR

8 1978

3rd Position - TRANSMISSION

A Auto, Col Shift
C Auto, Flr Shift
E 3 Spd Man, Flr Shift
M 4 Spd Man, Flr Shift

4th Position - SERIES

0 Concord
1 Matador
4 Gremlin
6 Pacer
8 Matador

5th Position - BODY TYPE

3 2 Dr Hatchback
5 4 Dr Sed
6 2 Dr Sed (Cpe)
8 S/W

6th Position - MODEL

4 Gremlin (4 Cyl)
5 Gremlin (Base)
7 Concord
Gremlin (Custom)
Matador
Pacer
9 AMX

7th Position - ENGINE TYPE

A 6-258 (4.2) 1BC
C 6-258 (4.2) 2BC
E 6-232 (3.8) 1BC
G 4-121 (2.0) 2BC
H 8-304 (5.0) 2BC
N 8-360 (5.9) 2BC

8th thru 13th Positions - SEQUENCE NUMBER

A sequential serial number assigned by the vehicle manufacturer.

1979 AMC/EAGLE**1st Position - MANUFACTURER**

A American Motors Corporation

2nd Position - MODEL YEAR

9 1979

3rd Position - TRANSMISSION

A Auto, Col Shift
C Auto, Flr Shift
E 3 Spd Man, Flr Shift
M 4 Spd Man, Flr Shift

4th Position - SERIES

0 Concord
4 Spirit
6 Pacer

5th Position - BODY TYPE

3 2 Dr Hatchback (Concord, Spirit)
5 4 Dr Sed
6 2 Dr Hatchback (Pacer)
2 Dr Sed (Concord, Spirit)
8 S/W

6th Position - MODEL

7 Concord
Pacer
Spirit
9 AMX

7th Position - ENGINE TYPE

A 6-258 (4.2) 1BC
C 6-258 (4.2) 2BC
E 6-232 (3.8) 1BC
G 4-121 (2.0) 2BC
H 8-304 (5.0) 2BC

8th thru 13th Positions - SEQUENCE NUMBER

A sequential serial number assigned by the vehicle manufacturer.

1980 AMC/EAGLE**1st Position - MANUFACTURER**

A American Motors Corporation

2nd Position - MODEL YEAR

0 1980

3rd Position - TRANSMISSION

A Auto, Col Shift
C Auto, Flr Shift
M 4 Spd Man, Flr Shift

4th Position - SERIES

0 Concord
3 Eagle
4 AMX
Spirit
6 Pacer

5th Position - BODY STYLE

3 2 Dr Hatchback (Spirit)
5 4 Dr Sed
6 2 Dr Hatchback (Pacer)
2 Dr Sed (Concord, Spirit)
8 2 Dr S/W (Pacer)
4 Dr S/W (Concord)

6th Position - BODY TYPE

0 Base
5 DL
7 Limited
9 AMX

7th Position - ENGINE TYPE

B 4-151 (2.5) 2BC
C 6-258 (4.2) 2BC

8th thru 13th Positions - SEQUENCE NUMBER

A sequential serial number assigned by the vehicle manufacturer.

1981 AMC/EAGLE**1st Position - COUNTRY**

1 United States
2 Canada

2nd Position - MANUFACTURER

A American Motors Corporation

3rd Position - VEHICLE TYPE

C Multipurpose Vehicle
E Export, LHD
M Pass Car

4th Position - ENGINE TYPE

B 4-151 (2.5) 2BC
C 6-258 (4.2) 2BC

5th Position - TRANSMISSION & TRANSFER CASE

A Auto, Col Shift
C Auto, Flr Shift
Auto, Flr Shift, Full Time
G 4 Spd Man, Flr Shift, Full Time
H 4 Spd Man, Flr Shift, Part/Full Time
K Auto, Flr Shift, Part/Full Time
M 4 Spd Man, Flr Shift

6th & 7th Positions - VEHICLE LINE & BODY TYPE

05	Concord	4 Dr Sed	
06	Concord	2 Dr Sed	
08	Concord	4 Dr S/W	
35	Eagle	4 Dr Sed	exc Kammback
36	Eagle	2 Dr Sed	exc Kammback
38	Eagle	4 Dr S/W	exc Kammback
43	Spirit	2 Dr Hatchback	
46	Spirit	2 Dr Sed	
53	Eagle	2 Dr Hatchback	Kammback
56	Eagle	2 Dr Sed	Kammback

8th Position - TRIM PACKAGE

0 Base
5 DL
7 Limited

9th Position - CHECK DIGIT

A single number or the letter "X" used to verify the accuracy of the VIN.

10th Position - MODEL YEAR

B 1981

11th Position - ASSEMBLY PLANT

12th thru 17th Positions - SEQUENCE NUMBER
A sequential serial number assigned by the vehicle manufacturer.

1982 AMC/EAGLE**1st Position - COUNTRY**

1 United States
2 Canada

2nd Position - MANUFACTURER

A American Motors Corporation
C American Motors (Canada), Inc.

3rd Position - VEHICLE TYPE

C Multipurpose Vehicle
M Pass Car

1982 AMC/EAGLE (Cont.)**4th Position - ENGINE TYPE**

B 4-151 (2.5) 2BC
C 6-258 (4.2) 2BC

5th Position - TRANSMISSION & TRANSFER CASE

A Auto, Col Shift
C Auto, Flr Shift
H 4 Spd Man, Flr Shift, 4x4, Part/Full Time
K Auto, Flr Shift, 4x4, Part/Full Time
M 4 Spd Man, Flr Shift
N 5 Spd Man, Flr Shift, 4x4, Part/Full Time
W 5 Spd Man, Flr Shift

6th & 7th Positions - VEHICLE LINE & BODY TYPE

05 Concord 4 Dr Sed
06 Concord 2 Dr Sed
08 Concord 4 Dr S/W
35 Eagle 4 Dr Sed exc Kammback
36 Eagle 2 Dr Sed exc Kammback
38 Eagle 4 Dr S/W exc Kammback
43 Spirit 2 Dr Hatchback
46 Spirit 2 Dr Sed
53 Eagle 2 Dr Hatchback Kammback
56 Eagle 2 Dr Sed Kammback

8th Position - TRIM PACKAGE

0 Base
5 DL
7 Limited

9th Position - CHECK DIGIT

A single number or the letter "X" used to verify the accuracy of the VIN.

10th Position - MODEL YEAR

C 1982

11th Position - ASSEMBLY PLANT

12th thru 17th Positions - SEQUENCE NUMBER
A sequential serial number assigned by the vehicle manufacturer.

1983 AMC/EAGLE**1st Position - COUNTRY**

1 United States
2 Canada

2nd Position - MANUFACTURER

A American Motors Corporation
C American Motors (Canada), Inc.

3rd Position - VEHICLE TYPE

C Multipurpose Vehicle
E Export, LHD
F Export, RHD
M Pass Car

4th Position - ENGINE TYPE

B 4-151 (2.5) 2BC Pontiac Design
C 6-258 (4.2) 2BC
D 4-85 (1.4) EFI Bendix - TBI
E 4-85 (1.4) EFI Bosch - Port Type
U 4-150 (2.5) 1BC AMC Design

5th Position - TRANSAXLE/TRANSMISSION & TRANSFER CASE

A Auto, Col Shift
C Auto, Flr Shift
D Auto, Flr Shift, Full Time
G 4 Spd Man, Flr Shift, Full Time
H 4 Spd Man, Flr Shift, Part Time
K Auto, Flr Shift, Part Time
M 4 Spd Man, Flr Shift
N 5 Spd Man, Flr Shift, Part Time
P 5 Spd Man, Flr Shift, Full Time
W 5 Spd Man, Flr Shift

6th & 7th Positions - VEHICLE LINE & BODY TYPE

05 Concord 4 Dr Sed
06 Concord 2 Dr Sed
08 Concord 4 Dr S/W
35 Eagle 4 Dr Sed exc SX/4
38 Eagle 4 Dr S/W exc SX/4
43 Spirit 2 Dr Hatchback
46 Spirit 2 Dr Sed
53 Eagle 2 Dr Hatchback SX/4
95 Alliance 4 Dr Sed
96 Alliance 2 Dr Sed

8th Position - TRIM PACKAGE

0 Base
3 L
5 DL
6 DL
7 Limited
8 Limited (Alliance)
9 GT

9th Position - CHECK DIGIT

A single number or the letter "X" used to verify the accuracy of the VIN.

10th Position - MODEL YEAR

D 1983

11th Position - ASSEMBLY PLANT**12th thru 17th Positions - SEQUENCE NUMBER**

A sequential serial number assigned by the vehicle manufacturer.

1984 AMC/EAGLE**1st Position - COUNTRY**

1 United States
2 Canada
V France

2nd Position - MANUFACTURER

A,X American Motors Corporation
C American Motors (Canada), Inc.
F Renault

3rd Position - VEHICLE TYPE

1 Pass Car (Import)
C Multipurpose Vehicle
M Pass Car (Domestic)

4th Position - ENGINE TYPE

C 6-258 (4.2) 2BC
D 4-85 (1.4) EFI Bendix - TBI
E 4-85 (1.4) EFI Bosch - Port Type
U 4-150 (2.5) 1BC AMC Design
Y 4-150 (2.5) 1BC Export

5th Position - TRANSAXLE/TRANSMISSION & TRANSFER CASE

C Auto, Flr Shift
H 4 Spd Man, Flr Shift, Full Time
K Auto, Flr Shift, Full Time
M 4 Spd Man, Flr Shift
N 5 Spd Man, Flr Shift, Full Time
W 5 Spd Man, Flr Shift

6th Position - VEHICLE LINE

3 Eagle
5 Eagle 30 (SX/4)
9 Alliance, Encore

7th Position - BODY TYPE

3 2 Dr Hatchback
5 4 Dr Sed
6 2 Dr Sed
8 4 Dr S/W
9 4 Dr Hatchback

8th Position - TRIM PACKAGE

0 Base (Fleet)
3 'S' or 'L' Model
5 Base (Eagle)
6 DL (Alliance)
LS (Encore)
7 Limited (Eagle)
8 Limited (Alliance)
9 GS (Encore)
GT (Alliance)

9th Position - CHECK DIGIT

A single number or the letter "X" used to verify the accuracy of the VIN.

10th Position - MODEL YEAR

E 1984

11th Position - ASSEMBLY PLANT**12th thru 17th Positions - SEQUENCE NUMBER**

A sequential serial number assigned by the vehicle manufacturer.

1985-86 AMC/EAGLE**1st Position - COUNTRY**

1 United States
2 Canada
V France

2nd Position - MANUFACTURER

A,X American Motors Corporation
C American Motors (Canada), Inc.
F Renault

3rd Position - VEHICLE TYPE

1 Pass Car (Import)
C Multipurpose Vehicle
M Pass Car (Domestic)

4th Position - ENGINE TYPE

A 4-105 (1.7) EFI Bendix - TBI
C 6-258 (4.2) 2BC
D 4-85 (1.4) EFI Bendix - TBI
E 4-85 (1.4) EFI Bosch - Port Type

5th Position - TRANSAXLE/TRANSMISSION & TRANSFER CASE

C Auto, Flr Shift
H 4 Spd Man, Flr Shift, Full Time
K Auto, Flr Shift, Full Time
M 4 Spd Man, Flr Shift
N 5 Spd Man, Flr Shift, Full Time
W 5 Spd Man, Flr Shift

6th Position - VEHICLE LINE

3 Eagle
9 Alliance, Encore

7th Position - BODY TYPE

3 2 Dr Hatchback
5 4 Dr Sed
6 2 Dr Sed
7 2 Dr Conv (Alliance)
8 4 Dr S/W
9 4 Dr Hatchback

8th Position - TRIM PACKAGE

0 Base (Alliance, Encore)
3 L (Alliance)
S (Encore)
4 Encore Electronic
5 Std (Eagle)
6 DL (Alliance)
LS (Encore)
7 Limited (Eagle)
8 Limited (Alliance)
9 GS (Encore)

9th Position - CHECK DIGIT

A single number or the letter "X" used to verify the accuracy of the VIN.

10th Position - MODEL YEAR

F 1985
G 1986

11th Position - ASSEMBLY PLANT**12th thru 17th Positions - SEQUENCE NUMBER**

A sequential serial number assigned by the vehicle manufacturer.

1987-88 AMC/EAGLE**1st Position - COUNTRY**

1 United States
2 Canada
V France

2nd Position - MANUFACTURER

A,X American Motors Corporation
C American Motors (Canada), Inc.
F Renault

3rd Position - VEHICLE TYPE

1 Pass Car (Import)
C Multipurpose Vehicle
M Pass Car (Import)

4th Position - ENGINE TYPE

A 4-105 (1.7) EFI
C 6-258 (4.2) 2BC
D 4-85 (1.4) EFI
F 4-132 (2.2) MPFI
V 4-120 (2.0) EFI

5th Position - TRANSAXLE/TRANSMISSION & TRANSFER CASE

C,F Auto
H,W 5 Spd Man
K Auto, Full Time
M 4 Spd Man
N 5 Spd Man, Full Time

VEHICLE IDENTIFICATION

VIN DECODING

AMC/EAGLE

1987-88 AMC/EAGLE (Cont.)**6th Position - VEHICLE LINE**

- 3 Eagle
9 Alliance, Encore, GTA, Medallion

7th Position - BODY TYPE

- 3 2 Dr Hatchback, Manual Seat Belts
5 4 Dr Sed, Manual Seat Belts
6 2 Dr Sed, Manual Seat Belts
7 2 Dr Conv, Manual Seat Belts
8 4 Dr S/W, Manual Seat Belts
9 4 Dr Hatchback, Manual Seat Belts
A 2 Dr Hatchback, Passive Seat Belts
D 4 Dr Sed, Passive Seat Belts
G 2 Dr Sed, Passive Seat Belts
H 2 Dr Conv, Passive Seat Belts
K 4 Dr Hatchback, Passive Seat Belts

8th Position - TRIM PACKAGE

- B Medallion DL Sedan
C Medallion LX Sedan
E Medallion DL S/W
0 Base
3 'L' (Alliance)
'S' (Encore)
4 Encore Electronic Model
5 DL (Eagle)
6 DL (Alliance)
LS (Encore)
7 Eagle Limited
GTA
9 GS (Alliance, Encore)

9th Position - CHECK DIGIT

A single number or the letter "X" used to verify the accuracy of the VIN.

10th Position - MODEL YEAR

- H 1987
J 1988

11th Position - ASSEMBLY PLANT

12th thru 17th Positions - SEQUENCE NUMBER
A sequential serial number assigned by the vehicle manufacturer.

1989-92 AMC/EAGLE**Medallion****1st Position - COUNTRY**

- V France

2nd Position - MANUFACTURER

- F Renault

3rd Position - VEHICLE TYPE

- 1 Pass Car (Import)

4th Position - ENGINE TYPE

- F 4-132 (2.2) MPFI

5th Position - TRANSAXLE & TRANSMISSION

- F 3 Spd Auto
J 5 Spd Man

6th & 7th Positions - BODY TYPE

- 45 4 Dr Sed
48 2 Dr S/W

8th Position - TRIM PACKAGE

- B Medallion DL Sedan, Manual Seat Belts
C Medallion LX Sedan, Manual Seat Belts
E Medallion DL S/W, Manual Seat Belts

9th Position - CHECK DIGIT

A single number or the letter "X" used to verify the accuracy of the VIN.

10th Position - MODEL YEAR

- L 1989

11th Position - ASSEMBLY PLANT

- 2 Maubeuge
5 Haren

12th thru 17th Positions - SEQUENCE NUMBER

A sequential serial number assigned by the vehicle manufacturer.

Premier, Summit, Talon**1st Position - COUNTRY**

- J Japan
M Thailand
2 Canada
4 USA

2nd Position - MANUFACTURER

- B Dodge
E Eagle
J Chrysler
L Dodge (Thailand)
P Plymouth

3rd Position - VEHICLE TYPE

- 3 Pass Car

4th Position - RESTRAINT

- B Manual Seat Belts
C Automatic Seat Belts

5th Position - VEHICLE LINE

- B Premier
T Talon
U Summit

6th Position - VEHICLE SERIES

- Premier
5 LX
6 ES
Summit, Talon
1 Economy
2 Low
3 Medium
4 High
5 Premium
6 Special/Sport

7th Position - BODY TYPE

- 4 2 Dr Hatchback
6 4 Dr Sed
9 4 Dr S/W

8th Position - ENGINE TYPE

- Premier
H 4-150 (2.5) TBI
U 6-181 (3.0) MPI
Summit
X 4-96 (1.5) SOHC-MPI
Y 4-98 (1.6) DOHC-MPI
Talon
R 4-122 (2.0) DOHC-MPI
U 4-122 (2.0) DOHC-MPI TURBO

9th Position - CHECK DIGIT

A single number or the letter "X" used to verify the accuracy of the VIN.

10th Position - MODEL YEAR

- K 1989
L 1990
M 1991
N 1992

11th Position - ASSEMBLY PLANT

- E Blooming, IL USA
H Bramalea
J Najoya-3
O Thailand
P Nagoya-2
U Mizushima-1
Z Okazaki

12th thru 17th Positions - SEQUENCE NUMBER

A sequential serial number assigned by the vehicle manufacturer.

1993 AMC/EAGLE**1st Position - COUNTRY**

- J Japan
M Thailand
2 Canada
4 USA

2nd Position - MANUFACTURER

- B Dodge
E Eagle
L Dodge
N Eagle
P Plymouth

3rd Position - VEHICLE TYPE

- 3 Pass Car

4th Position - RESTRAINT

- B Manual Seat Belt
C Automatic Seat Belt
D Manual Seat Belt
E Active Restraint, Pass Air Bag
X Driver Air Bag, Pass Manual Belt

5th Position - VEHICLE LINE

- A Summit
B Summit Wagon FWD
C Summit Wagon AWD
D Vision
F Talon FWD
G Talon AWD

6th Position - VEHICLE SERIES

- 1 Economy
2 Low
3 Medium
4 High
5 Premium
6 Special/Sport

7th Position - BODY TYPE

- 0 4 Dr Wagon
1 2 Dr Sed
4 2 Dr HB
6 4 Dr Sed

8th Position - ENGINE TYPE

- A 1.5L 12 Valve SOHC-MPI
B 1.8L 8 Valve SOHC-MPI
C 1.8L 16 Valve SOHC-MPI
E 2.0L 16 Valve DOHC-MPI
F 2.0L 16 Valve DOHC-MPI TURBO
F 3.5L 24 Valve MPI
G 2.4L 16 Valve SOHC-MPI
T 3.3L 12 Valve MPI

9th Position - CHECK DIGIT

A single number or the letter "X" used to verify the accuracy of the VIN.

10th Position - MODEL YEAR

- P 1993

11th Position - ASSEMBLY PLANT

- E DSM
G MSC
H Bramalea
U Mizushima
Z Okazaki

12th thru 17th Positions - SEQUENCE NUMBER

A sequential serial number assigned by the vehicle manufacturer.

1994-98 AMC/EAGLE**1st Position - COUNTRY**

- J Japan
M Thailand
4 USA

2nd Position - MANUFACTURER

- B Dodge
E Eagle
J Chrysler
L Dodge
N Eagle
P Plymouth

3rd Position - VEHICLE TYPE

- 3 Pass Car

4th Position - RESTRAINT

- A Air Bag
B Manual Seat Belt
C Automatic Seat Belt
D Manual Seat Belt
E Active Restraint, Pass Air Bag
X Driver Air Bag, Pass Manual Belt

5th Position - VEHICLE LINE

- A Summit
B Summit Wagon FWD
C Summit Wagon AWD
D Vision
F Talon FWD
G Talon AWD
K Talon FWD
L Talon AWD

6th Position - VEHICLE SERIES

- 1 Economy
2 Low
3 Medium
4 High
5 Premium
6 Special/Sport
7 Ultimate

1994-98 AMC/EAGLE (Cont.)**7th Position - BODY TYPE**

0 4 Dr Wagon
 1 2 Dr Sed
 4 2 Dr HB
 6 4 Dr Sed
 9 5 Dr Wagon

8th Position - ENGINE TYPE

A 1.5L 12 Valve SOHC-MPI
 B 1.8L 8 Valve SOHC-MPI
 C 1.8L 16 Valve SOHC-MPI
 E 2.0L 16 Valve DOHC-MPI
 F 2.0L 16 Valve DOHC-MPI TURBO
 F 3.5L 24 Valve MPI

L 2.4L 16 Valve SOHC-MPI
 M 3.5L 24 Valve SOHC-MPI
 T 3.3L 12 Valve MPI
 Y 2.0L 16 Valve DOHC (A568-Auto)

9th Position - CHECK DIGIT

A single number or the letter "X" used to verify the accuracy of the VIN.

10th Position - MODEL YEAR

R 1994
 S 1995
 T 1996
 V 1997
 W 1998

11th Position - ASSEMBLY PLANT

E DSM
 H Bramalea
 O Thailand
 P Nagoya - 2
 U Mizushima
 Y Nagoya - 1
 Z Okazaki

12th thru 17th Positions - SEQUENCE NUMBER

A sequential serial number assigned by the vehicle manufacturer.

CHRYSLER MOTORS

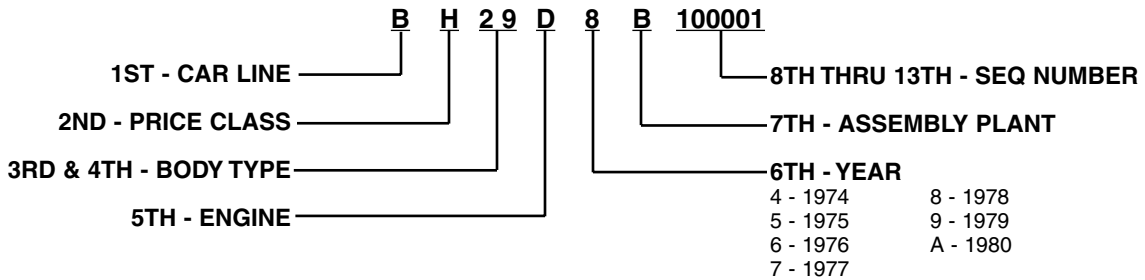
EXCEPT - CHALLENGER, SAPPORO, CHAMP, COLT, VISTA F.W.D. & CONQUEST

LOCATION: The Vehicle Identification Number (VIN) is stamped on a metal plate. The plate is attached to the upper left corner of the instrument panel and is visible from outside the vehicle through the windshield. On later model vehicles, the number can also be found on the Federal Certification Label attached to the left front door frame.

SAMPLE VIN:

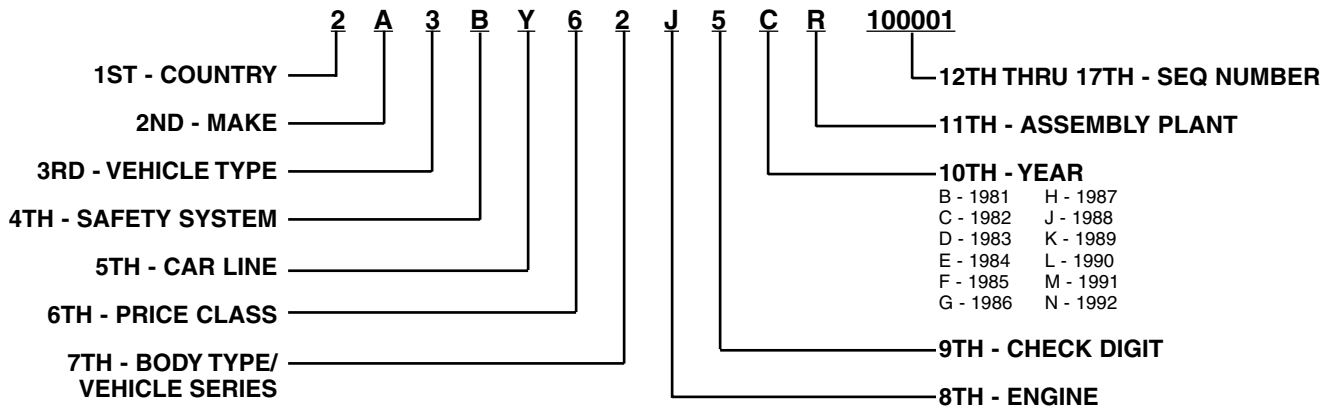
1974-80

(13 DIGIT NUMBER)



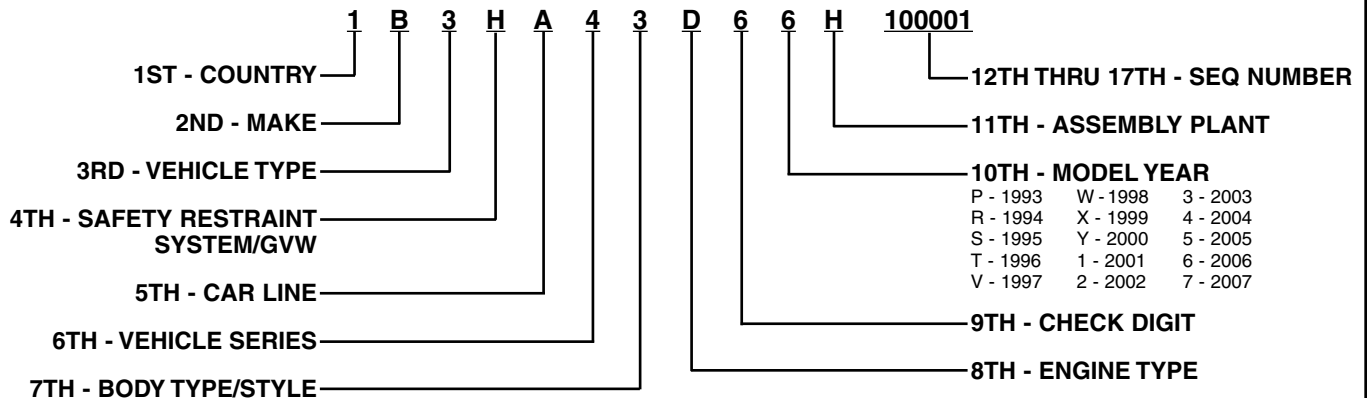
1981-1992

(17 DIGIT NUMBER)



1993-2007

(17 DIGIT NUMBER)



1974 CHRYSLER**1st Position - CAR LINE**

B Barracuda
C Chrysler
D Monaco
J Challenger
L Dart
P Fury
R Satellite
V Valiant
W Charger
Coronet
Y Imperial

2nd Position - PRICE CLASS

G Dodge Taxi
H High
K Police
L Low
M Medium
P Premium
S Special
T Taxi

3rd & 4th Positions - BODY TYPE

21 2 Dr Sed
23 2 Dr HT
29 2 Dr Sports HT or Hatchback
41 4 Dr Sed
43 4 Dr HT
45 2 Seat S/W
46 3 Seat S/W

5th Position - ENGINE TYPE

B 6-198 (3.2) 1BC
C 6-225 (3.7) 1BC
E 6 Cyl Special
G 8-318 (5.2) 2BC 150HP¹
J 8-360 (5.9) 4BC 200HP
K 8-360 (5.9) 2BC
L 8-360 (5.9) 4BC 245HP²
M 8-400 (6.6) 2BC
N 8-400 (6.6) 4BC 205HP
P 8-400 (6.6) 4BC 250HP²
T 8-440 (7.2) 4BC 230HP
U 8-440 (7.2) 4BC 250HP²
Z 8 Cyl Special

¹170HP on Roadrunner.²H/Per - Double Link Timing Chain.**6th Position - MODEL YEAR**

4 1974

7th Position - ASSEMBLY PLANT**8th thru 13th Positions - SEQUENCE NUMBER**

A sequential serial number assigned by the vehicle manufacturer.

1975 CHRYSLER**1st Position - CAR LINE**

C Chrysler
D Monaco
L Dart
P Gran Fury
R Fury
S Cordoba
V Valiant
W Coronet
X Charger
Y Imperial

2nd Position - PRICE CLASS

G Dodge Taxi
H High
K Police
L Low
M Medium
P Premium
S Special
T Taxi

3rd & 4th Positions - BODY TYPE

21 2 Dr Cpe
22 2 Dr Special Cpe
23 2 Dr HT
29 2 Dr Special Cpe
41 4 Dr Sed
43 4 Dr HT
45 2 Seat S/W
46 3 Seat S/W

5th Position - ENGINE TYPE

C 6-225 (3.7) 1BC
E 6 Cyl Special
G 8-318 (5.2) 2BC
J 8-360 (5.9) 4BC 190HP
K 8-360 (5.9) 2BC
L 8-360 (5.9) 4BC 230HP¹
M 8-400 (6.6) 2BC 165HP
N 8-400 (6.6) 4BC 195HP
P 8-400 (6.6) 4BC 235HP¹
T 8-440 (7.2) 4BC 215HP
U 8-440 (7.2) 4BC 260HP¹
Z 8 Cyl Special Order

¹H/Per - Double Link Timing Chain.**6th Position - MODEL YEAR**

5 1975

7th Position - ASSEMBLY PLANT**8th thru 13th Positions - SEQUENCE NUMBER**

A sequential serial number assigned by the vehicle manufacturer.

1976 CHRYSLER**1st Position - CAR LINE**

C Chrysler
D Monaco
H Volare
L Dart
N Aspen
P Gran Fury
R Fury
S Cordoba
V Valiant
W Charger
Coronet
X Charger SE

2nd Position - PRICE CLASS

H High
K Police
L Low
M Medium
P Premium
S Special

3rd & 4th Positions - BODY TYPE

22 2 Dr Special Cpe
23 2 Dr HT
29 2 Dr Special Cpe
41 4 Dr Sed
43 4 Dr HT
45 2 Seat S/W
46 3 Seat S/W

5th Position - ENGINE TYPE

C 6-225 (3.7) 1BC
E 6 Cyl Special
G 8-318 (5.2) 2BC
J 8-360 (5.9) 4BC 190HP
K 8-360 (5.9) 2BC
L 8-360 (5.9) 4BC 230HP¹
M 8-400 (6.6) 2BC
N 8-400 (6.6) 4BC 185HP
P 8-400 (6.6) 4BC 240HP¹
T 8-440 (7.2) 4BC 250HP
U 8-440 (7.2) 4BC 260HP¹
Z 8 Cyl Special

¹H/Per - Double Link Timing Chain.**6th Position - MODEL YEAR**

6 1976

7th Position - ASSEMBLY PLANT**8th thru 13th Positions - SEQUENCE NUMBER**

A sequential serial number assigned by the vehicle manufacturer.

1977 CHRYSLER**1st Position - CAR LINE**

C Chrysler
D Royal Monaco
F LeBaron
G Diplomat
H Volare
N Aspen
P Gran Fury
R Fury
S Cordoba
W Monaco
X Charger SE

2nd Position - PRICE CLASS

H High
K Police
L Low
M Medium
P Premium
S Special

3rd & 4th Positions - BODY TYPE

22 2 Dr Special Cpe
23 2 Dr HT
29 2 Dr Special Cpe
41 4 Dr Sed
43 4 Dr HT
45 2 Seat S/W
46 3 Seat S/W

5th Position - ENGINE TYPE

C 6-225 (3.7) 1BC
D 6-225 (3.7) 2BC
E 6 Cyl Special
G 8-318 (5.2) 2BC
J 8-360 (5.9) 4BC 170HP
K 8-360 (5.9) 2BC
L 8-360 (5.9) 4BC 230HP¹
N 8-400 (6.6) 4BC 190HP
P 8-400 (6.6) 4BC 240HP^{1,2}
T 8-440 (7.2) 4BC 195HP
U 8-440 (7.2) 4BC 260HP¹
Z 8 Cyl Special

¹H/Per - Double Link Timing Chain²Dual Exhaust**6th Position - MODEL YEAR**

7 1977

7th Position - ASSEMBLY PLANT**8th thru 13th Positions - SEQUENCE NUMBER**

A sequential serial number assigned by the vehicle manufacturer.

1978 CHRYSLER**1st Position - CAR LINE**

C Newport
New Yorker
F LeBaron
G Diplomat
H Volare
M Horizon
N Aspen
R Fury
S Cordoba
W Monaco
X Charger SE
Magnum XE
Z Omni

2nd Position - PRICE CLASS

H High
K Police
L Low
M Medium
P Premium
S Special

3rd & 4th Positions - BODY TYPE

22 2 Dr Special Cpe
23 2 Dr HT
29 2 Dr Special Cpe
41 4 Dr Sed
43 4 Dr HT
44 4 Dr Hatchback
45 2 Seat S/W
46 3 Seat S/W

5th Position - ENGINE TYPE

A 4-105 (1.7) 2BC
C 6-225 (3.7) 1BC
D 6-225 (3.7) 2BC
E 6 Cyl Special
G 8-318 (5.2) 2BC
H 8-318 (5.2) 4BC
J 8-360 (5.9) 4BC 170HP
K 8-360 (5.9) 2BC
L 8-360 (5.9) 4BC 230HP¹
N 8-400 (6.6) 4BC 190HP
P 8-400 (6.6) 4BC 190HP¹
R 8-360 (5.9) EFI
T 8-440 (7.2) 4BC 195HP
U 8-440 (7.2) 4BC 260HP¹
Z 8 Cyl Special

¹H/Per - Double Link Timing Chain

VEHICLE IDENTIFICATION

VIN DECODING

CHRYSLER MOTORS

1978 CHRYSLER (Cont.)

6th Position - MODEL YEAR

8 1978

7th Position - ASSEMBLY PLANT

8th thru 13th Positions - SEQUENCE NUMBER

A sequential serial number assigned by the vehicle manufacturer.

1979 CHRYSLER

1st Position - CAR LINE

- E St Regis
F LeBaron
G Diplomat
H Volare
M Horizon
N Aspen
S Cordoba
T Newport
New Yorker
X Magnum
Z Omni

2nd Position - PRICE CLASS

- H High
L Low
M Medium
P Premium
S Special

3rd & 4th Positions - BODY TYPE

- 22 2 Dr Sed
24 2 Dr Hatchback
29 2 Dr Special Cpe
41 4 Dr Sed
42 4 Dr Sed
44 4 Dr Hatchback
45 2 Seat S/W

5th Position - ENGINE TYPE

- A 4-105 (1.7) 2BC
C 6-225 (3.7) 1BC
D 6-225 (3.7) 2BC
E 6 Cyl Special
G 8-318 (5.2) 2BC
H 8-318 (5.2) 4BC
J 8-360 (5.9) 4BC 170HP
K 8-360 (5.9) 2BC
L 8-360 (5.9) 4BC 230HP 1
R 360 (5.9) EFI
Z 8 Cyl Special

1H/Per - Double Link Timing Chain.

6th Position - MODEL YEAR

9 1979

7th Position - ASSEMBLY PLANT

8th thru 13th Positions - SEQUENCE NUMBER

A sequential serial number assigned by the vehicle manufacturer.

1980 CHRYSLER

1st Position - CAR LINE

- E St Regis
F LeBaron
G Diplomat
H Volare
J Gran Fury
M Horizon
N Aspen
S Cordoba
T Newport
New Yorker
X Mirada
Z Omni

2nd Position - PRICE CLASS

- E Economy
H High
L Low
M Medium
P Premium
S Special

3rd & 4th Positions - BODY TYPE

- 22 2 Dr Sed
24 2 Dr Hatchback
29 2 Dr Special Cpe
41 4 Dr Sed
42 4 Dr Sed

- 44 4 Dr Hatchback
45 2 Seat S/W

5th Position - ENGINE TYPE

- A 4-105 (1.7) 2BC
C 6-225 (3.7) 1BC
D 6-225 (3.7) 2BC
E 6 Cyl Special
G 8-318 (5.2) 2BC
H 8-318 (5.2) 4BC
K 8-360 (5.9) 2BC
L 8-360 (5.9) 4BC 230HP 1
Z 8 Cyl Special

1H/Per - Double Link Timing Chain.

6th Position - MODEL YEAR

A 1980

7th Position - ASSEMBLY PLANT

8th thru 13th Positions - SEQUENCE NUMBER

A sequential serial number assigned by the vehicle manufacturer.

1981 CHRYSLER

1st Position - COUNTRY

- 1 United States
2 Canada

2nd Position - MAKE

- A Imperial
B Dodge
C Chrysler
P Plymouth

3rd Position - VEHICLE TYPE

- 3 Pass Car

4th Position - SAFETY SYSTEM

- B Manual Seat Belts

5th Position - CAR LINE

- J Cordoba
Mirada
K Aries
Reliant
L Horizon
Omni
TC3
024

- M Caravelle
Diplomat
LeBaron
R Gran Fury
Newport
New Yorker
St Regis
Y Imperial

6th Position - PRICE CLASS

- 1 Economy
2 Low
3 Medium
4 High
5 Premium
6 Special

7th Position - BODY TYPE

- 1 2 Dr Sed
2 2 Dr (M Line)
2 Dr Special HT (J Line)
3 2 Dr HT
4 2 + 2 Hatchback
6 4 Dr Sed
7 4 Dr Sed
8 4 Dr Hatchback
9 4 Dr S/W

8th Position - ENGINE TYPE

- A 4-105 (1.7) 2BC
B 4-135 (2.2) 2BC
D 4-156 (2.6) 2BC
E 6-225 (3.7) 1BC
F 6-225 (3.7) 1BC HD
G 6-225 (3.7) 2BC
H 6-225 (3.7) 2BC HD
J 8-318 (5.2) EFI
K 8-318 (5.2) 2BC
L 8-318 (5.2) 2BC HD
M 8-318 (5.2) 4BC
N 8-318 (5.2) 4BC HD

9th Position - CHECK DIGIT

A single number or the letter "X" used to verify the accuracy of the VIN.

10th Position - MODEL YEAR

B 1981

11th Position - ASSEMBLY PLANT

12th thru 17th Positions - SEQUENCE NUMBER

A sequential serial number assigned by the vehicle manufacturer.

1982 CHRYSLER

1st Position - COUNTRY

- 1 United States
2 Canada

2nd Position - MAKE

- A Imperial
B Dodge
C Chrysler
P Plymouth

3rd Position - VEHICLE TYPE

- 3 Pass Car

4th Position - SAFETY SYSTEM

- B Manual Seat Belts

5th Position - CAR LINE

- B Caravelle (Canada)
Gran Fury
C LeBaron
LeBaron Medallion
Town & Country
D Aries
Aries Custom
Aries SE
F New Yorker
G Diplomat Medallion
Diplomat Salon
M Horizon
Horizon Miser
TC3
TC3 Miser
TC3 Turismo
TC3 E Type

- P Reliant
Reliant Custom
Reliant SE

- S Cordoba
Cordoba LS

- V 400
400 LS

- X Mirada
Y Imperial
Z Omni
Omni Miser
Omni E Type
Rampage
024

- 024 Charger 2.2
024 Miser

6th Position - PRICE CLASS

- 1 Economy
2 Low
3 Medium
4 High
5 Premium
6 Special

7th Position - BODY TYPE

- 1 2 Dr Sed 1
2 2 Dr Specialty HT
4 2 Dr Hatchback
5 2 Dr Conv
6 4 Dr Sed

8th Position - ENGINE TYPE

- A 4-105 (1.7) 2BC
B 4-135 (2.2) 2BC
D 4-156 (2.6) 2BC
E 6-225 (3.7) 1BC
F 6-225 (3.7) 1BC HD
G 6-225 (3.7) 2BC
H 6-225 (3.7) 2BC HD
J 8-318 (5.2) EFI
K 8-318 (5.2) 2BC
L 8-318 (5.2) 2BC HD
M 8-318 (5.2) 4BC
N 8-318 (5.2) 4BC HD

9th Position - CHECK DIGIT

A single number or the letter "X" used to verify the accuracy of the VIN.

1982 CHRYSLER (Cont.)**10th Position - MODEL YEAR**

B 1981

11th Position - ASSEMBLY PLANT**12th thru 17th Positions - SEQUENCE NUMBER**

A sequential serial number assigned by the vehicle manufacturer.

1983 CHRYSLER**1st Position - COUNTRY**1 United States
2 Canada**2nd Position - MAKE**A Imperial
B Dodge
C Chrysler
P Plymouth**3rd Position - VEHICLE TYPE**

3 Pass Car

4th Position - SAFETY SYSTEM

B Manual Seat Belts

5th Position - CAR LINE

B Caravelle (Canada)

C LeBaron
Gran FuryD Aries
Aries Custom
Aries SE

F New Yorker

G Diplomat Medallion
Diplomat SalonM Horizon
Horizon Miser
TC3TC3 Miser
TC3 Turismo
TC3 E TypeP Reliant
Reliant Custom
Reliant SES Cordoba
Cordoba LSV 400
400 LS

X Mirada

Y Imperial

Z Omni
Omni Miser
Omni E TypeRampage
024
024 Charger 2.2
024 Miser4 8-318 (5.2) 2BC HD
8 4-135 (2.2) 2BC H/Output**9th Position - CHECK DIGIT**

A single number or the letter "X" used to verify the accuracy of the VIN.

10th Position - MODEL YEAR

D 1983

11th Position - ASSEMBLY PLANT**12th thru 17th Positions - SEQUENCE NUMBER**

A sequential serial number assigned by the vehicle manufacturer.

1984 CHRYSLER**1st Position - COUNTRY**J Japan
1 United States
2 Canada
3 Mexico**2nd Position - MAKE**B Dodge
C Chrysler
E Fargo
P Plymouth**3rd Position - VEHICLE TYPE**

3 Pass Car

4th Position - SAFETY SYSTEM

B Manual Seat Belts

5th Position - CAR LINEA Daytona
LaserB Caravelle Salon (Canada)
Gran Fury SalonC Executive Sedan
LeBaron
Town & Country

D Aries

E 600

F Fifth Avenue (RWD)
Newport

G Diplomat

M Horizon
Turismo

P Reliant

T E Class

V New Yorker (FWD)

V 600

Z Charger
Omni
Rampage
Shelby Charger**1985 CHRYSLER****1st Position - COUNTRY**J Japan
1 United States
2 Canada
3 Mexico**2nd Position - MAKE**B Dodge
C Chrysler
E Fargo
P Plymouth**3rd Position - VEHICLE TYPE**

3 Pass Car

4th Position - SAFETY SYSTEM

B Manual Seat Belts

5th Position - CAR LINEA Daytona
LaserB Caravelle Salon (Canada)
Gran Fury SalonC LeBaron (exc GTS)
Limousine
Town & Country

D Aries

E 600

F Fifth Avenue (RWD)
Newport

G Diplomat

H LeBaron GTS

J Caravelle (U.S.)

L Caravelle (Canada)

M Horizon
Turismo

P Reliant

T New Yorker (FWD)

V 600

X Lancer

Z Charger
Omni
Shelby Charger

VEHICLE IDENTIFICATION

VIN DECODING

CHRYSLER MOTORS

1986 CHRYSLER

1st Position - COUNTRY

- J Japan
- 1 United States
- 2 Canada
- 3 Mexico

2nd Position - MAKE

- B Dodge
- C Chrysler
- E Fargo
- P Plymouth

3rd Position - VEHICLE TYPE

- 3 Pass Car

4th Position - SAFETY SYSTEM

- B Manual Seat Belts

5th Position - CAR LINE

- A Daytona
Laser
- B Caravelle Salon (Canada)
Gran Fury Salon
- C LeBaron
Limousine
Town & Country
- D Aries
- E 600
- F Fifth Avenue (RWD)
Newport
- G Diplomat
- H LeBaron GTS
- J Caravelle (U.S.)
- L Caravelle (Canada)
- M Horizon
Turismo
- P Reliant
- T New Yorker (FWD)
- V 600
- X Lancer
- Z Charger
Omni
Shelby Charger

6th Position - PRICE CLASS

- 1 Economy
- 2 Low
- 3 Medium
- 4 High
- 5 Premium
- 6 Special

7th Position - BODY TYPE

- 1 2 Dr Sed/Cpe
- 2 4 Dr Limousine
- 4 2 Dr Hatchback
- 5 2 Dr Conv
- 6 4 Dr Sed
- 8 4 Dr Hatchback
- 9 4 Dr S/W

8th Position - ENGINE TYPE

- A 4-97 (1.6) 2BC
- C 4-135 (2.2) 2BC
- D 4-135 (2.2) EFI
- E 4-135 (2.2) EFI Turbo
- F 4-135 (2.2) H/Per
- K 4-153 (2.5) EFI
- L 4-135 (2.2) EFI Turbo
- P 8-318 (5.2) 2BC
- R 8-318 (5.2) 4BC
- S 8-318 (5.2) 4BC Police
- 4 8-318 (5.2) 2BC HD
- 8 4-135 (2.2) 2BC H/Output

9th Position - CHECK DIGIT

A single number or the letter "X" used to verify the accuracy of the VIN.

10th Position - MODEL YEAR

- G 1986

11th Position - ASSEMBLY PLANT

12th thru 17th Positions - SEQUENCE NUMBER

A sequential serial number assigned by the vehicle manufacturer.

1987 CHRYSLER

1st Position - COUNTRY

- 1 United States
- 2 Canada
- 3 Mexico

2nd Position - MAKE

- B Dodge
- C Chrysler
- P Plymouth

3rd Position - VEHICLE TYPE

- 3 Pass Car

4th Position - SAFETY SYSTEM

- A Air Bags
- B Manual Seat Belts
- C Automatic Seat Belts

5th Position - CAR LINE

- A Daytona
- B Caravelle Salon (Canada)
Gran Fury Salon
- C LeBaron
Town & Country
- D Aries
- E 600
- F Fifth Avenue
Newport
- G Diplomat
- H LeBaron GTS
- J Caravelle
- M Horizon
Turismo
- P Reliant
- S Shadow
Sundance
- T New Yorker
- X Lancer
- Z Charger
Omni
Shelby Turbo Charger

6th Position - PRICE CLASS

- 1 Economy
- 2 Low
- 3 Medium
- 4 High
- 5 Premium
- 6 Special

7th Position - BODY TYPE

- 1 2 Dr Sed/Cpe
- 4 2 Dr Hatchback
- 5 2 Dr Conv
- 6 4 Dr Sed
- 8 4 Dr Hatchback
- 9 4 Dr Wagon

8th Position - ENGINE TYPE

- A 4-135 (2.2) Turbo II w/Intercooler
- C 4-135 (2.2) 2BC
- D 4-135 (2.2) TBI
- E 4-135 (2.2) Turbo
- K 4-153 (2.5) TBI
- G 4-156 (5.6) 2BC
- P 8-318 (5.2) 2BC
- R 8-318 (5.2) 4BC
- S 8-318 (5.2) 4BC HD Police
- X 4-135 (2.2) LPG
- Z 8-318 (5.2) LPG
- 3 6-181 (3.0) EFI
- 4 8-318 (5.2) 2BC HD
- 7 8-318 (5.2) LPG
- 8 4-135 (2.2) 2BC H/Output

9th Position - CHECK DIGIT

A single number or the letter "X" used to verify the accuracy of the VIN.

10th Position - MODEL YEAR

- H 1987

11th Position - ASSEMBLY PLANT

12th thru 17th Positions - SEQUENCE NUMBER

A sequential serial number assigned by the vehicle manufacturer.

1988 CHRYSLER

1st Position - COUNTRY

- 1 United States
- 2 Canada
- 3 Mexico

2nd Position - MAKE

- B Dodge
- C Chrysler
- P Plymouth

3rd Position - VEHICLE TYPE

- 3 Pass Car

4th Position - SAFETY SYSTEM

- A Air Bags
- B Manual Seat Belts
- C Automatic Seat Belts

5th Position - CAR LINE

- A Daytona
- B Caravelle Salon (Canada)
Gran Fury Salon
- C LeBaron
Town & Country
- D Aries
- E Dodge 600
- F Fifth Avenue
Newport
- G Diplomat
- H LeBaron GTS
- J Caravelle
LeBaron
- M Horizon
- P Reliant
- S Shadow
Sundance
- T New Yorker Turbo
- U Dynasty
New Yorker
- X Lancer
- Z Omni

6th Position - PRICE CLASS

- 1 Economy
- 2 Low
- 3 Medium
- 4 High
- 5 Premium
- 6 Special

7th Position - BODY TYPE

- 1 2 Dr Sed/Cpe
- 4 2 Dr Hatchback
- 5 2 Dr Conv
- 6 4 Dr Sed
- 8 4 Dr Hatchback
- 9 4 Dr Wagon

8th Position - ENGINE TYPE

- A 4-135 (2.2) Turbo II w/Intercooler
- C 4-135 (2.2) 2BC
- D 4-135 (2.2) TBI
- E 4-135 (2.2) Turbo
- K 4-153 (2.5) TBI
- P 8-318 (5.2) 2BC
- S 8-318 (5.2) 4BC HD Police
- Z 8-318 (5.2) LPG
- 3 6-181 (3.0) EFI
- 4 8-318 (5.2) 2BC HD
- 7 8-318 (5.2) LPG

9th Position - CHECK DIGIT

A single number or the letter "X" used to verify the accuracy of the VIN.

10th Position - MODEL YEAR

- J 1988

11th Position - ASSEMBLY PLANT

12th thru 17th Positions - SEQUENCE NUMBER

A sequential serial number assigned by the vehicle manufacturer.

1989 CHRYSLER

1st Position - COUNTRY

- 1 United States
- 2 Canada
- 3 Mexico

2nd Position - MAKE

- B Dodge
- C Chrysler
- P Plymouth

3rd Position - VEHICLE TYPE

- 3 Pass Car

4th Position - SAFETY SYSTEM

- A Air Bags
- B Manual Seat Belts
- C Automatic Seat Belts
- X Driver Air Bag,
Passenger Manual Seat Belt
- Y Driver Air Bag,
Passenger Automatic Seat Belt

1989 CHRYSLER (Cont.)**5th Position - CAR LINE**

A	Acclaim Spirit
C	Dynasty New Yorker New Yorker Landau
G	Daytona Daytona Shelby
H	Lancer (4 Dr) Lancer Shelby (4 Dr) LeBaron (4 Dr) LeBaron GTS (4 Dr) LeBaron (2 Dr)
J	LeBaron (2 Dr)
K	Aries Reliant
L	Horizon Omni
M	Caravelle Salon (Canada) Diplomat Fifth Avenue Gran Fury Salon
N	Dynasty (Canada)
P	Shadow Sundance

6th Position - PRICE CLASS

1	Economy
2	Low
3	Medium
4	High
5	Premium
6	Special

7th Position - BODY TYPE

1	2 Dr Sed/Cpe
4	2 Dr Hatchback
5	2 Dr Conv
6	4 Dr Sed
8	4 Dr Hatchback
9	4 Dr Wagon

8th Position - ENGINE TYPE

A	4-135 (2.2)	MPFI	Turbo II	w/Intercooler
D	4-135 (2.2)	TBI		
F	4-135 (2.2)		Hi Perf	
J	4-153 (2.5)	MPFI	Turbo	
K	4-153 (2.5)	TBI		
L	4-135 (2.2)		Turbo II	
S	8-318 (5.2)	4BC	HD Police	
3	6-181 (3.0)	MPFI		
4	8-318 (5.2)	2BC		

9th Position - CHECK DIGIT

A single number or the letter "X" used to verify the accuracy of the VIN.

10th Position - MODEL YEAR

K	1989
---	------

11th Position - ASSEMBLY PLANT

12th thru 17th Positions - SEQUENCE NUMBER
A sequential serial number assigned by the vehicle manufacturer.

1990 CHRYSLER**1st Position - COUNTRY**

1	United States
2	Canada
3	Mexico
4	United States (Laser Only)

2nd Position - MAKE

B	Dodge
C	Chrysler
P	Plymouth

3rd Position - VEHICLE TYPE

3	Pass Car
---	----------

4th Position - SAFETY SYSTEM

A	Air Bags
B	Manual Seat Belts
C	Automatic Seat Belts
X	Driver Air Bag, Passenger Manual Seat Belt
Y	Driver Air Bag, Passenger Automatic Seat Belt

5th Position - CAR LINE

A	Acclaim LeBaron (4 Dr) Spirit
---	-------------------------------------

C	Dynasty New Yorker Landau New Yorker Salon
G	Daytona Daytona Shelby
J	LeBaron (2 Dr)
L	Horizon Omni
N	Dynasty (Canada)
P	Shadow Sundance
S	Laser
Y	Imperial, 5th Ave
8	Monaco

6th Position - PRICE CLASS

1	Economy
2	Low
3	Medium
4	High
5	Premium
6	Special

7th Position - BODY TYPE

1	2 Dr Sed/Cpe
4	2 Dr Hatchback
5	2 Dr Conv
6	4 Dr Sed
8	4 Dr Hatchback
9	4 Dr Wagon

8th Position - ENGINE TYPE

A	4-135 (2.2)	MPFI	Turbo II	w/Intercooler
H	4-153 (2.5)	TBI		
J	4-153 (2.5)	MPFI	Turbo	
K	4-153 (2.5)	TBI		
O	4-135 (2.2)	TBI		
R	4-122 (2.0)	MPFI		
T	6-201 (3.3)	SMPI		
T	4-110 (1.8)	MPFI		
U	4-122 (2.0)	MPFI	Turbo	
	6-180 (3.0)	MPFI		
3	6-181 (3.0)	MPFI		

9th Position - CHECK DIGIT

A single number or the letter "X" used to verify the accuracy of the VIN.

10th Position - MODEL YEAR

L	1990
---	------

11th Position - ASSEMBLY PLANT

12th thru 17th Positions - SEQUENCE NUMBER
A sequential serial number assigned by the vehicle manufacturer.

1991 CHRYSLER**1st Position - COUNTRY**

1	United States
2	Canada
3	Mexico
4	United States (Laser Only)

2nd Position - MAKE

B	Dodge
C	Chrysler
P	Plymouth

3rd Position - VEHICLE TYPE

3	Pass Car
---	----------

4th Position - SAFETY SYSTEM

A	Air Bags
B	Manual Seat Belts
C	Automatic Seat Belts
X	Driver Air Bag, Passenger Manual Seat Belt
Y	Driver Air Bag, Passenger Automatic Seat Belt

5th Position - CAR LINE

A	Acclaim LeBaron (4 Dr) Spirit
B	Monaco
C	Dynasty New Yorker Landau New Yorker Salon
D	Stealth
E	Stealth (Turbo)
G	Daytona Daytona Shelby

J	LeBaron (2 Dr)
P	Shadow Sundance
S	Laser
Y	Imperial, 5th Ave
8	Monaco

6th Position - PRICE CLASS

1	Economy	4	High
2	Low	5	Premium
3	Medium	6	Special

7th Position - BODY TYPE

1	2 Dr Sed/Cpe
4	2 Dr Hatchback
5	2 Dr Conv
6	4 Dr Sed
8	4 Dr Hatchback
9	4 Dr Wagon

8th Position - ENGINE TYPE

B	6-181 (3.0)	MPI	DOHC
C	4-135 (2.2)	MPFI	Turbo
	6-181 (3.0)	MPI	Turbo
D	4-135 (2.2)	TBI	
H	4-153 (2.5)	TBI	
J	4-153 (2.5)	MPFI	Turbo
K	4-153 (2.5)	TBI	
L	6-230 (3.8)	MPI	
R	4-122 (2.0)	MPI	
	6-201 (3.3)	MPI	
S	6-181 (3.0)	MPI	SOHC
T	4-110 (1.8)	MPI	
U	4-122 (2.0)	MPFI	Turbo
	6-180 (3.0)	MPFI	
3	6-181 (3.0)	MPFI	

9th Position - CHECK DIGIT

A single number or the letter "X" used to verify the accuracy of the VIN.

10th Position - MODEL YEAR

M	1991
---	------

11th Position - ASSEMBLY PLANT

12th thru 17th Positions - SEQUENCE NUMBER
A sequential serial number assigned by the vehicle manufacturer.

1992 CHRYSLER**1st Position - COUNTRY**

1	United States
2	Canada
3	Mexico
4	United States (Laser Only)

2nd Position - MAKE

B	Dodge
C	Chrysler
P	Plymouth

3rd Position - VEHICLE TYPE

3	Pass Car
---	----------

4th Position - SAFETY RESTRAINT SYSTEM

A	Air Bags
B	Manual Seat Belts
C	Automatic Seat Belts
X	Driver Air Bag, Passenger Manual Seat Belt
Y	Driver Air Bag, Passenger Automatic Seat Belt

5th Position - CAR LINE

A	Acclaim LeBaron (4 Dr) Spirit
C	Dynasty New Yorker Landau New Yorker Salon
D	Stealth
E	Stealth (Turbo)
G	Daytona Daytona Shelby
J	LeBaron (2 Dr)
P	Shadow Sundance
S	Laser
Y	Imperial, 5th Ave

6th Position - VEHICLE SERIES

1	Economy	4	High
2	Low	5	Premium
3	Medium	6	Special

Cont.

VEHICLE IDENTIFICATION

VIN DECODING

CHRYSLER MOTORS

1992 CHRYSLER (Cont.)**7th Position - BODY TYPE/STYLE**

- 1 2 Dr Sed/Cpe
- 4 2 Dr Hatchback
- 5 2 Dr Conv
- 6 4 Dr Sed
- 8 4 Dr Hatchback
- 9 4 Dr Wagon

8th Position - ENGINE TYPE

- A 4-135 (2.2) MPI 16 Valve Turbo III
- B 6-181 (3.0) MPI DOHC
- C 4-135 (2.2) MPFI Turbo
- 6-181 (3.0) MPI Turbo
- D 4-135 (2.2) TBI
- H 4-153 (2.5) TBI
- J 4-153 (2.5) MPFI Turbo
- K 4-153 (2.5) TBI
- L 6-232 (3.8) MPI
- R 4-122 (2.0) MPI
- 6-201 (3.3) MPI
- S 6-181 (3.0) MPI SOHC
- 3 6-181 (3.0) MPFI

9th Position - CHECK DIGIT

A single number or the letter "X" used to verify the accuracy of the VIN.

10th Position - MODEL YEAR

- N 1992

11th Position - ASSEMBLY PLANT**12th thru 17th Positions - SEQUENCE NUMBER**

A sequential serial number assigned by the vehicle manufacturer.

1993 CHRYSLER**1st Position - COUNTRY**

- 1 United States
- 2 Canada
- 3 Mexico

2nd Position - MAKE

- B Dodge
- C Chrysler
- P Plymouth

3rd Position - VEHICLE TYPE

- 3 Pass Car

4th Position - SAFETY RESTRAINT SYSTEM

- A Air Bag
- B Manual Seat Belts
- C Automatic Seat Belts
- E Active Restraint, Passenger Air Bag
- X Driver Air Bag, Passenger Manual Seat Belt
- Y Driver Air Bag, Passenger Automatic Seat Belt

5th Position - CAR LINE

- A Acclaim
- LeBaron (4 Dr)
- Spirit
- C Dynasty
- New Yorker Salon
- D Intrepid
- F Dynasty (Canada)
- L Concorde
- M Stealth FWD
- N Stealth AWD
- P Shadow
- Sundance
- R Viper
- S Laser
- U LeBaron (2 Dr)
- V Imperial
- New Yorker
- 5th Ave
- W Daytona
- Daytona Shelby

6th Position - VEHICLE SERIES

- 1 Economy
- 2 Low
- 3 Medium
- 4 High
- 5 Premium
- 6 Special/Sport
- 7 Performance/Image

7th Position - BODY TYPE/STYLE

- 1 2 Dr Sed/Cpe
- 4 2 Dr HB
- 5 2 Dr Conv
- 6 4 Dr Sed
- 8 4 Dr HB
- 9 4 Dr Wagon

8th Position - ENGINE TYPE

- A 4-135 (2.2) MPI 16 Valve Turbo III
- C 4-135 (2.2) MPI 174 HP Turbo
- D 4-135 (2.2) TBI 93 HP
- E 10-488 (8.0) MPI
- F 6-214 (3.5) MPI 24 Valve
- H 4-153 (2.5) TBI 111 HP
- 6-181 (3.0) MPI SOHC
- J 4-153 (2.5) MPI 150 HP Turbo
- 6-181 (3.0) MPI DOHC
- K 4-153 (2.5) TBI 100 HP
- 6-181 (3.0) MPI Turbo
- L 6-230 (3.8) MPI
- R 6-201 (3.3) MPI 150 HP
- T 6-201 (3.3) MPI
- V 4-153 (2.5) Flex Fuel
- 3 6-181 (3.0) MPI 141 HP

9th Position - CHECK DIGIT

A single number or the letter "X" used to verify the accuracy of the VIN.

10th Position - MODEL YEAR

- P 1993

11th Position - ASSEMBLY PLANT

- A Outer Drive
- D Belvidere
- F Newark
- G St. Louis-1
- H Bramalea
- N Sterling
- T Toluca
- V New Mack

12th thru 17th Positions - SEQUENCE NUMBER

A sequential serial number assigned by the vehicle manufacturer.

1994 CHRYSLER**1st Position - COUNTRY**

- 1 United States
- 2 Canada
- 3 Mexico

2nd Position - MAKE

- B Dodge
- C Chrysler
- P Plymouth

3rd Position - VEHICLE TYPE

- 3 Pass Car

4th Position - SAFETY RESTRAINT SYSTEM

- A Air Bag
- B Manual Seat Belts
- C Automatic Seat Belts
- E Active Restraint, Passenger Air Bag
- X Driver Air Bag, Passenger Manual Seat Belt
- Y Driver Air Bag, Passenger Automatic Seat Belt

5th Position - CAR LINE

- A Acclaim
- LeBaron (4 Dr)
- Spirit
- C Dynasty
- New Yorker Salon
- D Intrepid
- L Concorde
- LHS
- New Yorker
- M Stealth FWD
- N Stealth AWD
- P Shadow
- Sundance
- R Viper
- S Laser
- U LeBaron (2 Dr)

6th Position - VEHICLE SERIES

- 1 Economy
- 2 Low

- 3 Medium
- 4 High
- 5 Premium
- 6 Special/Sport
- 7 Performance/Image

7th Position - BODY TYPE/STYLE

- 1 2 Dr Sed/Cpe
- 4 2 Dr HB
- 5 2 Dr Conv
- 6 4 Dr Sed
- 8 4 Dr HB
- 9 4 Dr Wagon

8th Position - ENGINE TYPE

- A 4-135 (2.2) MPI 16 Valve Turbo III
- C 4-135 (2.2) MPI 174 HP Turbo
- D 4-135 (2.2) TBI 93 HP
- E 10-488 (8.0) MPI
- F 6-214 (3.5) MPI 24 Valve
- H 4-153 (2.5) TBI 111 HP
- 6-181 (3.0) MPI SOHC
- J 4-153 (2.5) MPI 150 HP Turbo
- 6-181 (3.0) MPI DOHC
- K 4-153 (2.5) TBI 100 HP
- 6-181 (3.0) MPI Turbo
- L 6-230 (3.8) MPI
- R 6-201 (3.3) MPI 150 HP
- V 4-153 (2.5) Flex Fuel
- 3 6-181 (3.0) MPI 141 HP

9th Position - CHECK DIGIT

A single number or the letter "X" used to verify the accuracy of the VIN.

10th Position - MODEL YEAR

- R 1994

11th Position - ASSEMBLY PLANT

- A Outer Drive
- D Belvidere
- F Newark
- G St. Louis-1
- H Bramalea
- N Sterling
- T Toluca
- V New Mack

12th thru 17th Positions - SEQUENCE NUMBER

A sequential serial number assigned by the vehicle manufacturer.

1995 CHRYSLER**1st Position - COUNTRY**

- 1 United States
- 2 Canada
- 3 Mexico

2nd Position - MAKE

- B Dodge
- C Chrysler
- P Plymouth

3rd Position - VEHICLE TYPE

- 3 Pass Car

4th Position - SAFETY RESTRAINT SYSTEM

- A Air Bag
- B Manual Seat Belts
- C Automatic Seat Belts
- E Active Restraint, Passenger Air Bag
- X Driver Air Bag, Passenger Manual Seat Belt
- Y Driver Air Bag, Passenger Automatic Seat Belt

5th Position - CAR LINE

- A Acclaim
- LeBaron (Conv)
- Spirit
- D Intrepid
- J Cirrus
- Stratus
- L Concorde
- LHS
- New Yorker
- M Stealth FWD
- N Stealth AWD
- P Neon
- R Viper

Cont.

1995 CHRYSLER (Cont.)**6th Position - VEHICLE SERIES**

- 1 Economy
- 2 Low
- 3 Medium
- 4 High
- 5 Premium
- 6 Special/Sport
- 7 Performance/Image

7th Position - BODY TYPE/STYLE

- 1 2 Dr Sed/Cpe
- 2 2 Dr HT
- 4 2 Dr HB
- 5 2 Dr Conv
- 6 4 Dr Sed
- 7 4 Dr HT

8th Position - ENGINE TYPE

- | | | | |
|---|--------------|-----------|--------------------|
| A | 4-135 (2.2) | MPI | 16 Valve Turbo III |
| C | 4-122 (2.0) | MPI | SOHC |
| D | 4-135 (2.2) | TBI | 93 HP |
| E | 10-488 (8.0) | MPI | |
| F | 6-214 (3.5) | MPI | 24 Valve |
| H | 6-152 (2.5) | MFI | SOHC |
| | 6-181 (3.0) | MPI | SOHC |
| J | 4-153 (2.5) | MPI | 150 HP Turbo |
| | 6-181 (3.0) | MPI | DOHC |
| K | 4-153 (2.5) | TBI | 100 HP |
| | 6-181 (3.0) | MPI | Turbo |
| N | 4-122 (2.0) | MPI | SOHC |
| R | 6-201 (3.3) | MPI | 150 HP |
| T | 6-201 (3.3) | MPI | OHV |
| V | 4-153 (2.5) | Flex Fuel | |
| X | 4-148 (2.4) | MPI | DOHC |
| Y | 4-122 (2.0) | MPI | DOHC |
| 3 | 6-181 (3.0) | MPI | 141 HP |

9th Position - CHECK DIGIT

A single number or the letter "X" used to verify the accuracy of the VIN.

10th Position - MODEL YEAR

- S 1995

11th Position - ASSEMBLY PLANT

- A Outer Drive
- D Belvidere
- F Newark
- G St. Louis-1
- H Bramalea
- N Sterling
- T Toluca
- V New Mack

12th thru 17th Positions - SEQUENCE NUMBER

A sequential serial number assigned by the vehicle manufacturer.

1996 CHRYSLER**1st Position - COUNTRY**

- 1 United States
- 2 Canada
- 3 Mexico

2nd Position - MAKE

- B Dodge
- C Chrysler
- P Plymouth

3rd Position - VEHICLE TYPE

- 3 Pass Car

4th Position - SAFETY RESTRAINT SYSTEM

- A Air Bag
- B Manual Seat Belts
- C Automatic Seat Belts
- E Active Restraint, Passenger Air Bag
- X Driver Air Bag, Passenger Manual Seat Belt
- Y Driver Air Bag, Passenger Automatic Seat Belt

5th Position - CAR LINE

- D Intrepid
- J Breeze
-
- K Cirrus
-
- L Stratus
-
- L Concorde
-
- LHS
-
- New Yorker

- M Sebring (Conv)
- N Stealth FWD
- N Stealth AWD
- R Viper
- S Neon
- U Avenger
-
- Sebring (Cpe)

6th Position - VEHICLE SERIES

- 1 Economy
- 2 Low
- 3 Medium
- 4 High
- 5 Premium
- 6 Special/Sport
- 7 Performance/Image

7th Position - BODY TYPE/STYLE

- 1 2 Dr Sed/Cpe
- 2 2 Dr HT
- 4 2 Dr HB
- 5 2 Dr Conv
- 6 4 Dr Sed
- 7 4 Dr HT

8th Position - ENGINE TYPE

- | | | | |
|---|--------------|-----------|--------------------|
| A | 4-135 (2.2) | MPI | 16 Valve Turbo III |
| C | 4-122 (2.0) | MPI | SOHC |
| D | 4-135 (2.2) | TBI | 93 HP |
| E | 10-488 (8.0) | MPI | |
| F | 6-214 (3.5) | MPI | 24 Valve |
| H | 6-152 (2.5) | MFI | SOHC |
| J | 4-153 (2.5) | MPI | 150 HP Turbo |
| K | 4-153 (2.5) | TBI | 100 HP |
| N | 4-122 (2.0) | MPI | SOHC |
| R | 6-201 (3.3) | MPI | 150 HP |
| T | 6-201 (3.3) | MPI | OHV |
| V | 4-153 (2.5) | Flex Fuel | |
| X | 4-148 (2.4) | MPI | DOHC |
| Y | 4-122 (2.0) | MPI | DOHC |

9th Position - CHECK DIGIT

A single number or the letter "X" used to verify the accuracy of the VIN.

10th Position - MODEL YEAR

- T 1996

11th Position - ASSEMBLY PLANT

- A Outer Drive
- D Belvidere
- F Newark
- G St. Louis-1
- H Bramalea
- N Sterling
- T Toluca
- V New Mack

12th thru 17th Positions - SEQUENCE NUMBER

A sequential serial number assigned by the vehicle manufacturer.

1997 CHRYSLER**1st Position - COUNTRY**

- 1 United States
- 2 Canada
- 3 Mexico

2nd Position - MAKE

- B Dodge
- C Chrysler
- P Plymouth

3rd Position - VEHICLE TYPE

- 3 Pass Car

4th Position - SAFETY RESTRAINT SYSTEM

- A Air Bag
- B Manual Seat Belts
- C Automatic Seat Belts
- E Active Restraint, Passenger Air Bag
- X Driver Air Bag, Passenger Manual Seat Belt
- Y Driver Air Bag, Passenger Automatic Seat Belt

5th Position - CAR LINE

- D Intrepid
- J Breeze
-
- K Cirrus
-
- L Stratus
-
- L Concorde
-
- LHS
-
- Sebring (Conv)

- R Viper
- S Neon
- U Avenger
-
- Sebring (Cpe)
-
- Prowler

6th Position - VEHICLE SERIES

- 1 Economy
- 2 Low
- 3 Medium
- 4 High
- 5 Premium
- 6 Special/Sport
- 7 Performance/Image

7th Position - BODY TYPE/STYLE

- 1 2 Dr Sed/Cpe
- 2 2 Dr HT
- 4 2 Dr HB
- 5 2 Dr Conv
- 6 4 Dr Sed
- 7 4 Dr HT

8th Position - ENGINE TYPE

- | | | | |
|---|--------------|-----------|----------|
| C | 4-122 (2.0) | MPI | SOHC |
| E | 10-488 (8.0) | MPI | |
| F | 6-216 (3.5) | MPI | 24 Valve |
| H | 6-152 (2.5) | MFI | SOHC |
| N | 6-152 (2.5) | MFI | SOHC |
| R | 6-201 (3.3) | MPI | 150 HP |
| T | 6-201 (3.3) | MPI | OHV |
| V | 4-153 (2.5) | Flex Fuel | |
| X | 4-148 (2.4) | MPI | DOHC |
| Y | 4-122 (2.0) | MPI | DOHC |

9th Position - CHECK DIGIT

A single number or the letter "X" used to verify the accuracy of the VIN.

10th Position - MODEL YEAR

- V 1997

11th Position - ASSEMBLY PLANT

- A Outer Drive
- D Belvidere
- F Newark
- G St. Louis-1
- H Bramalea
- N Sterling
- T Toluca
- V New Mack

12th thru 17th Positions - SEQUENCE NUMBER

A sequential serial number assigned by the vehicle manufacturer.

1998 CHRYSLER**1st Position - COUNTRY**

- 1 United States
- 2 Canada
- 3 Mexico

2nd Position - MAKE

- B Dodge
- C Chrysler
- P Plymouth

3rd Position - VEHICLE TYPE

- 3 Pass Car

4th Position - SAFETY RESTRAINT SYSTEM

- A Air Bag
- B Manual Seat Belts
- C Automatic Seat Belts
- E Active Restraint, Passenger Air Bag
- X Driver Air Bag, Passenger Manual Seat Belt
- Y Driver Air Bag, Passenger Automatic Seat Belt

5th Position - CAR LINE

- D Concorde
-
- J Intrepid
-
- J Breeze
-
- K Cirrus
-
- L Stratus
-
- L Sebring (Conv)
-
- R Viper
-
- S Neon
-
- U Avenger
-
- Sebring (Cpe)

VEHICLE IDENTIFICATION

VIN DECODING

CHRYSLER MOTORS

1998 CHRYSLER (Cont.)**6th Position - VEHICLE SERIES**

- 1 Economy
- 2 Low
- 3 Medium
- 4 High
- 5 Premium
- 6 Special/Sport
- 7 Performance/Image

7th Position - BODY TYPE/STYLE

- 1 2 Dr Sed/Cpe
- 2 2 Dr HT
- 4 2 Dr HB
- 5 2 Dr Conv
- 6 4 Dr Sed
- 7 4 Dr HT

8th Position - ENGINE TYPE

- C 4-122 (2.0) MPI SOHC
- E 10-488 (8.0) MPI
- H 6-152 (2.5) MFI SOHC
- J 6-197 (3.2) MFI
- N 6-152 (2.5) MFI SOHC
- R 6-167 (2.7) MFI
- V 4-153 (2.5) Flex Fuel
- X 4-148 (2.4) MPI DOHC
- Y 4-122 (2.0) MPI DOHC

9th Position - CHECK DIGIT

A single number or the letter "X" used to verify the accuracy of the VIN.

10th Position - MODEL YEAR

- W 1998

11th Position - ASSEMBLY PLANT

- A Outer Drive
- D Belvidere
- F Newark
- G St. Louis-1
- H Bramalea
- N Sterling
- T Toluca
- V New Mack

12th thru 17th Positions - SEQUENCE NUMBER

A sequential serial number assigned by the vehicle manufacturer.

1999-2000 CHRYSLER**1st Position - COUNTRY**

- 1 United States
- 2 Canada
- 3 Mexico

2nd Position - MAKE

- B Dodge
- C Chrysler
- P Plymouth

3rd Position - VEHICLE TYPE

- 3 Pass Car

4th Position - SAFETY RESTRAINT SYSTEM

- A Air Bag
- B Manual Seat Belts
- C Automatic Seat Belts
- E Active Restraint, Passenger Air Bag
- X Driver Air Bag, Passenger Manual Seat Belt
- Y Driver Air Bag, Passenger Automatic Seat Belt

5th Position - CAR LINE

- C LHS
300M
- D Concorde
Intrepid
- J Breeze
Cirrus
Stratus
- L Sebring (Conv)
- R Viper
- S Neon
- U Avenger
Sebring (Cpe)
- Prowler

6th Position - VEHICLE SERIES

- 1 Economy
- 2 Low

- 3 Medium
- 4 High
- 5 Premium
- 6 Special/Sport
- 7 Performance/Image

7th Position - BODY TYPE/STYLE

- 1 2 Dr Sed/Cpe
- 2 2 Dr HT
- 4 2 Dr HB
- 5 2 Dr Conv
- 6 4 Dr Sed
- 7 4 Dr HT

8th Position - ENGINE TYPE

- C 4-122 (2.0) MPI SOHC
- E 10-488 (8.0) MPI
- G 6-216 (3.5) MFI
- H 6-152 (3.0) MFI SOHC
- J 6-197 (3.2) MFI
- N 6-152 (2.5) MFI SOHC
- R 6-167 (2.7) MFI
- V 4-153 (2.5) Flex Fuel
- X 4-148 (2.4) MPI DOHC
- Y 4-122 (2.0) MPI DOHC

9th Position - CHECK DIGIT

A single number or the letter "X" used to verify the accuracy of the VIN.

10th Position - MODEL YEAR

- X 1999
- Y 2000

11th Position - ASSEMBLY PLANT

- A Outer Drive
- D Belvidere
- F Newark
- G St. Louis-1
- H Bramalea
- N Sterling
- T Toluca
- V New Mack

12th thru 17th Positions - SEQUENCE NUMBER

A sequential serial number assigned by the vehicle manufacturer.

2001-2003 CHRYSLER**1st Position - COUNTRY**

- 1 United States
- 2 Canada
- 3 Mexico
- J Japan

2nd Position - MAKE

- B Dodge
- C Chrysler
- D Dodge
- P Plymouth (2001)

3rd Position - VEHICLE TYPE

- 3 Pass Car

4th Position - SAFETY RESTRAINT SYSTEM

- A Air Bag
- B Manual Seat Belts
- C Automatic Seat Belts
- E Active Restraint, Passenger Air Bag
- H Dual Front Air Bags
- K Dual Front Side Air Bags
- X Driver Air Bag, Passenger Manual Seat Belt
- Y Driver Air Bag, Passenger Automatic Seat Belt

5th Position - CAR LINE

- C LHS
300M - 2001-2003
- D Concorde
Intrepid
- G Sebring Coupe
Stratus Coupe
- J Stratus
- L Sebring (Conv)
- N Crossfire
- R Viper
- S Neon
- U Avenger
Sebring (Cpe)
- Y PT Cruiser
- W Prowler

6th Position - VEHICLE SERIES

- 1 Economy
- 2 Low
- 3 Medium
- 4 High
- 5 Premium
- 6 Special/Sport
- 7 Performance/Image
- 8 Sports

7th Position - BODY TYPE/STYLE

- 1 2 Dr Sed/Cpe
- 2 2 Dr HT
- 3 4 Dr HT
- 4 2 Dr HB
- 5 2 Dr Conv
- 6 4 Dr Sed
- 7 4 Dr HT
- 8 4 Dr Wgn
- 9 2 Dr Cpe
- 0 4 Dr Wgn
- B 4 Dr Wgn

8th Position - ENGINE TYPE

- B 4-146 (2.4) MFI EDZ DOHC
- 4-146 (2.9) MFI DOHC
- C 4-122 (2.0) MPI SOHC
- E 10-488 (8.0) MPI
- F 4-148 (2.4) MPI
- 4-122 (2.0) MFI SOHC
- G 4-146 (2.4) MFI EDV DOHC
- 6-216 (3.5) MFI
- H 6-181 (3.0) MFI
- J 6-197 (3.2) MFI
- K 6-215 (3.5) MFI SOHC
- L 6-195 (3.2) MFI SOHC
- M 6-215 (3.5) MFI SOHC
- N 6-152 (2.5) MFI SOHC
- R 6-167 (2.7) MFI
- S 4-148 (2.4) MFI DOHC
- T 6-167 (2.7) MFI DOHC
- V 4-153 (2.7) MFI
- 6-215 (3.5) MFI SOHC
- X 4-148 (2.4) MPI DOHC
- Y 4-122 (2.0) MPI DOHC
- Z 10-505 (8.3) MFI OHV
- 8 4-146 (2.4) MFI EDT DOHC

9th Position - CHECK DIGIT

A single number or the letter "X" used to verify the accuracy of the VIN.

10th Position - MODEL YEAR

- 1 2001
- 2 2002
- 3 2003
- 4 2004

11th Position - ASSEMBLY PLANT

- A Outer Drive
- D Belvidere
- F Newark
- G St. Louis-1
- H Bramalea
- N Sterling
- T Toluca
- V New Mack

12th thru 17th Positions - SEQUENCE NUMBER

A sequential serial number assigned by the vehicle manufacturer.

2004 CHRYSLER**1st Position - COUNTRY**

- 1 Manufactured by Daimler Chrysler Corporation
- 2 Manufactured by Daimler Chrysler Canada, Inc.

2nd Position - MAKE

- B Dodge
- C Chrysler

3rd Position - VEHICLE TYPE

- 3 Pass Car

4th Position - SAFETY RESTRAINT SYSTEM

- A Active Driver & Side Air Bags
- B Manual/ Active Uni-Belt
- D Without Air Bags
- E Active Driver & Passenger Air Bags
- H Active Driver & Passenger Air Bags
- J Air Bags Front Next Generation Multi-Stage
- K Front Air Bags Next Generation (CGW) with Standard Side Air Bag Supplement (CGS)

Cont.

2004 CHRYSLER (Cont.)**5th Position - CAR LINE**

D Concorde (US, Canada, Mexico, Bux)
 Intrepid (US, Mexico)
 E 300M (US, Canada, Mexico, Bux)
 H Intrepid (Canada)
 J Stratus/Cirrus
 L Sebring
 N Crossfire (LHD)
 P Crossfire (RHD)
 S Neon (LHD)
 V Neon (RHD)
 Z Viper

6th Position - VEHICLE SERIES

3 M (Medium)
 4 H (High Line)
 5 P (Premium)
 6 S (Sport/"S" Series (Crossfire))
 7 X (Special)

7th Position - BODY TYPE/STYLE

2 2 Dr Pillar Hard Top
 5 2 Dr Convertible/Open Body
 6 4 Dr Sedan
 9 Specialty Coupe

8th Position - ENGINE TYPE

C	V6	3.5 L	24 Valve	SOHC	MPI
F	I4	2.0 L	16 Valve	SOHC	MFI
G	V6	3.5 L	24 Valve	SOHC	MPI
J	I4	2.4 L	16 Valve	Pzev	
K	V6	3.5 L	24 Valve		MPI
L	V6	3.2 L	18 Valve	SOHC	
M	V6	3.5 L	24 Valve	SOHC	
R	V6	2.7 L	24 Valve	DOHC	MPI
S	I4	2.4 L	16 Valve	DOHC	Turbo Gas
T	V6	2.7 L	24 Valve	DOHC	FFV
V	V6	3.5 L	24 Valve	SOHC	
X	I4	2.4 L	16 Valve	DOHC	Gas
Z	V10	8.3 L		OHV	MFI

9th Position - CHECK DIGIT

A single number or the letter "X" used to verify the accuracy of the VIN.

10th Position - MODEL YEAR

4 2004

11th Position - ASSEMBLY PLANT

D Belvedere
 H Bramalea
 N Sterling Heights
 V Conner Ave
 X Osnabrueck, Germany

12th thru 17th Positions - SEQUENCE NUMBER

A sequential serial number assigned by the vehicle manufacturer.

2005 CHRYSLER**1st Position - COUNTRY**

1 Manufactured by Daimler Chrysler Corporation
 4 USA

2nd Position - MAKE

B Dodge
 C Chrysler
 D Dodge

3rd Position - VEHICLE TYPE

3 Passenger Car
 4 Multipurpose Passenger Vehicle w/ Side Air Bags
 8 Multipurpose Passenger Vehicle w/ Side Air Bags

4th Position - SAFETY RESTRAINT SYSTEM/GVW

A Sebring/Stratus Coupe
 Driver & Passenger Air Bags
 Crossfire, Neon, SRT4, Sebring Convertible/
 Stratus Sedan
 Active Front & Side Air Bags
 B Manual/ Active Uni-Belt
 D Without Air Bags
 E Active Driver & Passenger Air Bags
 H 6001-7000 lbs Gross Vehicle Weight Rating
 J Air Bags Front Next Generation Multi-Stage
 Sales Code (CG1)
 w/o Side Air Bags Sales Code (CGS)

5th Position - CAR LINE

A 300/300C/SRT-8 (RWD)
 G Sebring or Stratus Coupe
 J Stratus/Cirrus
 K 300 AWD
 L Sebring

N Crossfire LHD
 P Crossfire RHD
 S Neon LHD
 V Neon RHD
 Magnum TBD RHD
 Z Viper
 Magnum TBD AWD

6th Position - VEHICLE SERIES

1 Economy
 2 L Low Line
 3 M Medium
 4 H High Line
 5 P Premium
 6 S "S" Series/Sport
 7 S Special Neon & SRT4
 X Special Sebring Convertible, Stratus Sedan

7th Position - BODY TYPE/ STYLE

2 2 Dr Pillar Hard Top
 3 LX-48
 5 2 Dr Convertible
 6 4 Dr Sedan
 8 LX-49
 9 Specialty Coupe

8th Position - ENGINE TYPE

C	I4	2.0 L	16 Valve	SOHC	
G	I4	2.4 L			Sebring or Stratus Coupe
	V6	3.5 L	24 Valve		High Output MPI
					300 Series & Magnum
H	V6	3.0 L			Sebring or Stratus Coupe
	V8	5.7 L			Hemi Multiple Displacement
					300 Series & Magnum
J	I4	2.4 L	16 Valve	Pzev	
L	V6	3.2 L	18 Valve	SOHC	
N	V6	3.2 L			Supercharged
R	V6	2.7 L	24 Valve	DOHC	MPI
S	I4	2.4 L	16 Valve	DOHC	H.O. Turbo
T	V6	2.7 L	24 Valve	DOHC	FFV
X	I4	2.4 L	16 Valve	DOHC	
Y	I4	2.0 L		DOHC	
Z	V10	8.3 L			SFI

9th Position - CHECK DIGIT

A single number or the letter "X" used to verify the accuracy of the VIN.

10th Position - MODEL YEAR

5 2005

11th Position - ASSEMBLY PLANT

D Belvedere
 E Mitsubishi Motors North America, Inc.
 H Brampton
 N Sterling Heights
 V Conner Ave
 X Osnabrueck, Germany

12th thru 17th Positions - SEQUENCE NUMBER

A sequential serial number assigned by the vehicle manufacturer.

2006-07 CHRYSLER**1st Position - COUNTRY**

1 Manufactured by Daimler Chrysler
 (Sebring/Stratus, Viper)
 1 Manufactured by Daimler Chrysler Canada, Inc.
 3 Manufactured by Daimler Chrysler Mexico

2nd Position - MAKE

A Chrysler (Hatchback)
 B Dodge
 C Chrysler
 D Dodge (Hatchback)

3rd Position - VEHICLE TYPE

3 Passenger Car
 4 Multipurpose Passenger Vehicle w/o Side Air
 Bags Sales Code (CGS) (Hatchback)
 8 Multipurpose Passenger Vehicle w/ Side Air
 Bags Sales Code (CGS) (Hatchback)

4th Position - SAFETY RESTRAINT SYSTEM/GVW

A Restraint System Active Front & Side Air Bags
 D Without Air Bags
 D Without Air Bags Sales Code (CGJ) (Mexico)
 E Active Driver & Passenger Air Bags
 E 3001-4000 lbs (1361-1814 kg) (Hatchback)
 F 4001-5000 lbs (1815-2267 kg) (Hatchback)
 G 5001-6001 lbs

H Restraint System Air Bags Front Next
 Generation Multistage Sales Code (CG1)
 w/Side Air Bags Sales Code (CGS)

J Restraint System Air Bags Front Next
 Generation Multistage (Viper)

J Restraint System Air Bags Front Next
 Generation Multistage Sales Code (CG1)
 w/o Side Air Bags Sales Code (CGS)

K, L Restraint System Advanced Multistage Front
 Air Bags Sales Code (CG3) w/Side Air Bags
 Sales Code (CGS)

4 Multipurpose Passenger Vehicle w/o Side Air
 Bags Sales Code (CGS) (Hatchback)

8 Multipurpose Passenger Vehicle w/Side Air
 Bags Sales Code (CGS) (Hatchback)

5th Position - CAR LINE

A 300/300C/SRT-8/Charger RWD (LWD)
 B Caliber (FWD) (LHD) U.S., Canada, Mexico, BUX
 C Chrysler Sebring/Cirrus (FWD)
 (LHD U.S., Canada, Mexico, BUX)
 E Caliber (AWD) (LHD) U.S., Canada, Mexico
 J Cirrus
 K 300/300C AWD (LWD)
 L Sebring/Stratus
 N Crossfire LHD
 P Crossfire RHD
 R 300C/SRT-8 RWD (RHD)
 V 300 Touring/Magnum RWD
 Z 300 Touring/Magnum AWD
 ZB/SRT-10 Passenger Car
 3 Caliber (FWD) (RHD) BUX
 4 Chrysler Sebring (FWD) (RHD) BUX

6th Position - VEHICLE SERIES

B 4 Spd Auto, Sales Code (DG6)
 B 4 Spd Auto VLP, Sales Code (DGV)
 C 6 Spd Manual (Viper)
 C 6 Spd Std, Heavy Duty, Sales Code (DEF)
 C 6 Spd Std, Sales Code (DEK)
 E 5 Spd Auto, Sales Code (DGJ)
 G Continuously Variable, Sales Code (DAV)
 N 5 Spd Std, Sales Code (DD7)
 2 L (LowLine)
 3 M (Medium)
 4 H High Line
 5 P Premium
 6 S Series (Crossfire)
 6 S Sport
 7 X Special

7th Position - BODY TYPE/ STYLE

3 4 Dr Sedan Tall
 5 Convertible
 6 4 Dr Sedan
 7 Hatchback Tall
 8 PM 49 4 Dr Hatchback
 9 Specialty Coupe
 9 Coupe SRT-10

8th Position - ENGINE TYPE

A	I4	2.0 L	16 Valve	DOHC	Diesel
					Sales Code (ECD)
B	I4	2.0 L	16 Valve	DOHC	Dual VVT Gas
					Sales Code (ECN)
C	I4	1.8 L	16 Valve	DOHC	Dual VVT
D	V6	3.0 L			Turbo Diesel Sales Code (EXL)
F	I4	2.4 L	16 Valve	DOHC	Turbo Gas
					Sales Code (ED4)
G	V6	3.5 L	24 V		High Output Sales Code (EGG)
H	V8	5.7 L			Hemi Multiple Displacement Gas
					Sales Code (EZB)
K	I4	2.4 L	16 Valve	DOHC	VVT Gas
K	I4	2.4 L	16 Valve		Dual VVT Gas
					Sales Code (ED3)
L	V6	3.2 L	18 Valve	SOHC	
M	V6	3.0 L	24 Valve		Turbo Diesel
					Sales Code (EXL) (Hatchback)
M	V6	3.5 L	24 Valve	O.H.C.	SOHC Gas
N	V6	3.2 L			Supercharged
R	V6	2.7 L	24 Valve	DOHC	Gas
					(Sebring/Stratus)
R	V6	2.7 L	24 Valve	DOHC	Gas (MPI)
					Sales Code (EER)
S	I4	2.4 L	16 Valve	DOHC	Turbo Gas
T	V6	2.7 L	24 Valve	DOHC	FFV
					(Sebring/Stratus)
T	V6	2.7 L	24 Valve	DOHC	Gas (MPI)
					Sales Code (EER) (Hatchback)
V	V6	3.5 L	24 Valve		High Output Gas
					Sales Code (EZB) (Hatchback)

Cont.

VEHICLE IDENTIFICATION

VIN DECODING

CHRYSLER MOTORS

2006-07 CHRYSLER (Cont.)**8th Position - ENGINE TYPE (Cont.)**

W V8 6.1L Hemi Gas SMPI,
Sales Code (ESF) (SRT-8)
X I4 2.4L 16 Valve DOHC Gas
Y I4 2.0L DOHC, Gas
Z V10 8.3 L SFI, Gas
2 V8 5.7 L Hemi Multiple Displacement Gas,
Sales Code (EZB) (Hatchback)
3 V8 6.1 L Hemi Gas SMPI
Sales Code (ESF) (Hatchback)

9th Position - CHECK DIGIT

A single number or the letter "X" used to verify the accuracy of the VIN.

10th Position - MODEL YEAR

6 - 2006 7 - 2007

11th Position - ASSEMBLY PLANT

D Belvedere Assembly
H Brampton
N Sterling Heights
T Toluca
X Osnabrueck, Germany
V Conner Ave

12th thru 17th Positions - SEQUENCE NUMBER

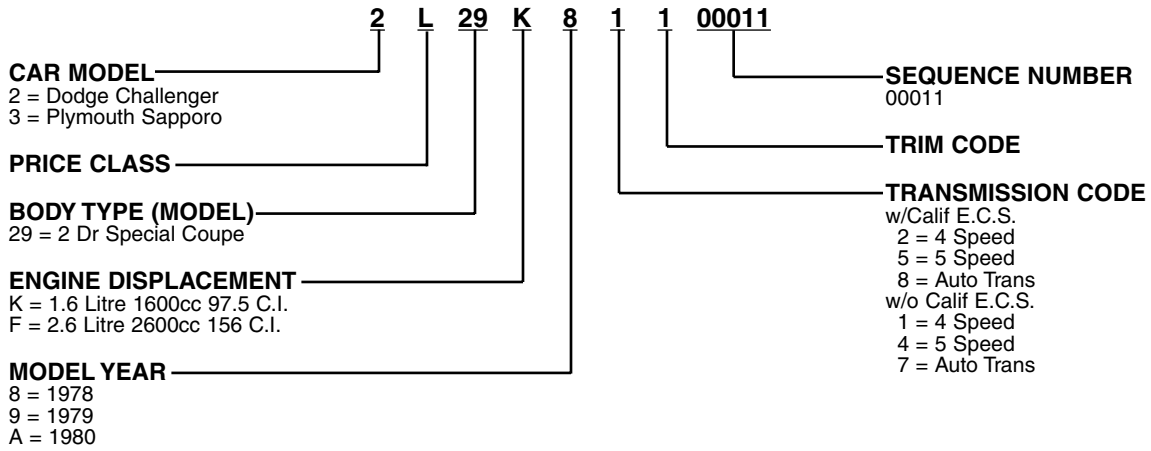
A sequential serial number assigned by the vehicle manufacturer.

CHALLENGER & SAPPORO

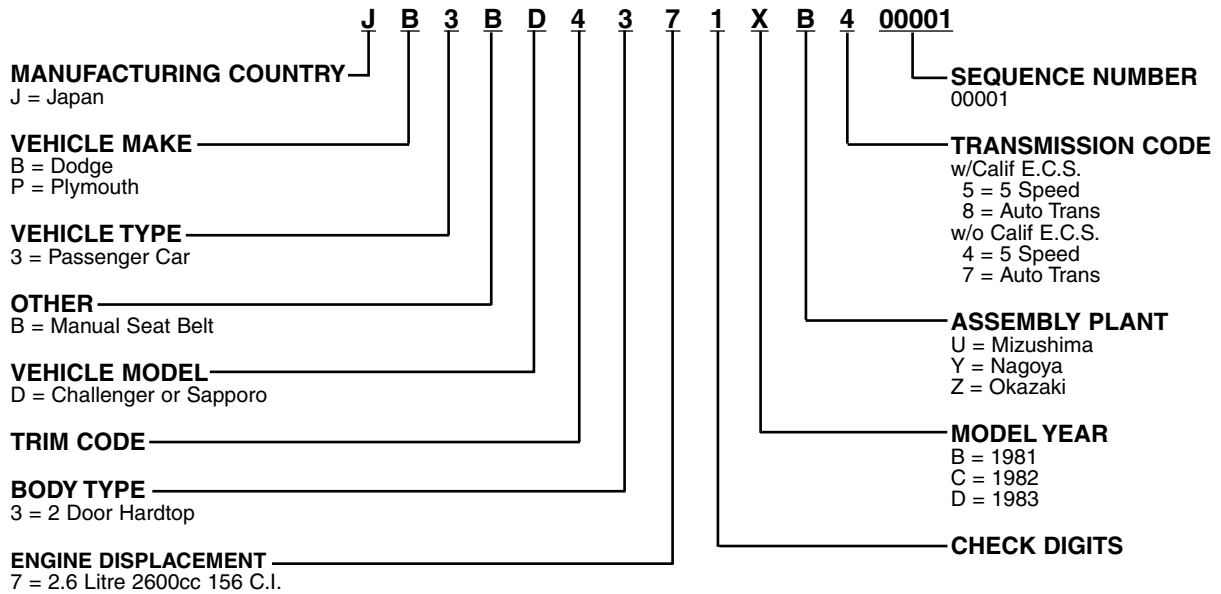
IDENTIFICATION NUMBER OR PLATE LOCATION

Model identification plates are located on left upper dash panel, visible through windshield.

1978-80



1981-83



ENGINE IDENTIFICATION NUMBER LOCATION

Engine model number and serial number are stamped at the right front side on top edge of cylinder block. Engine model numbers are as follows:

ENGINE IDENTIFICATION CODES

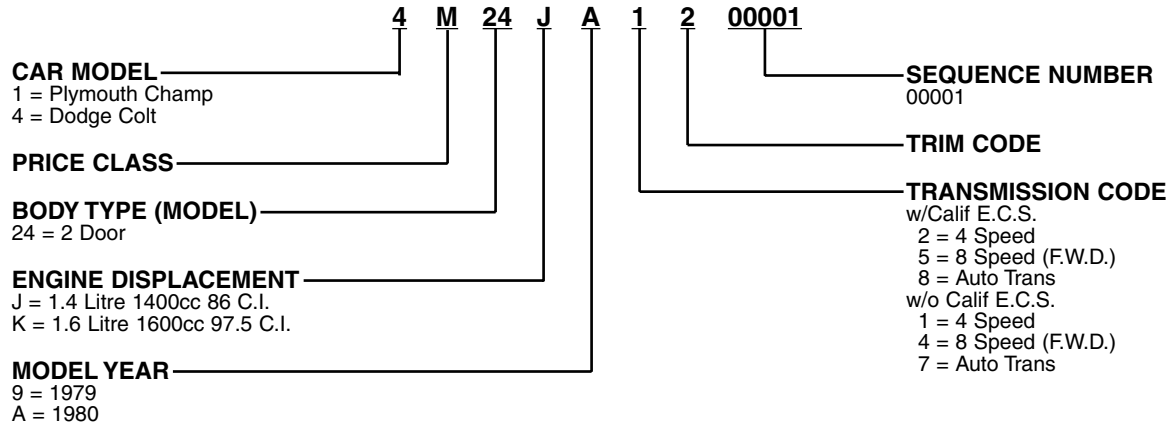
DISPLACEMENT	ENGINE CODE	SERIAL NUMBER
1.6 Litre (1600cc)	G32B	2A00101 & Up
2.6 Litre (2600cc)	G54B	54A00101 & Up

CHAMP, COLT & VISTA F.W.D.

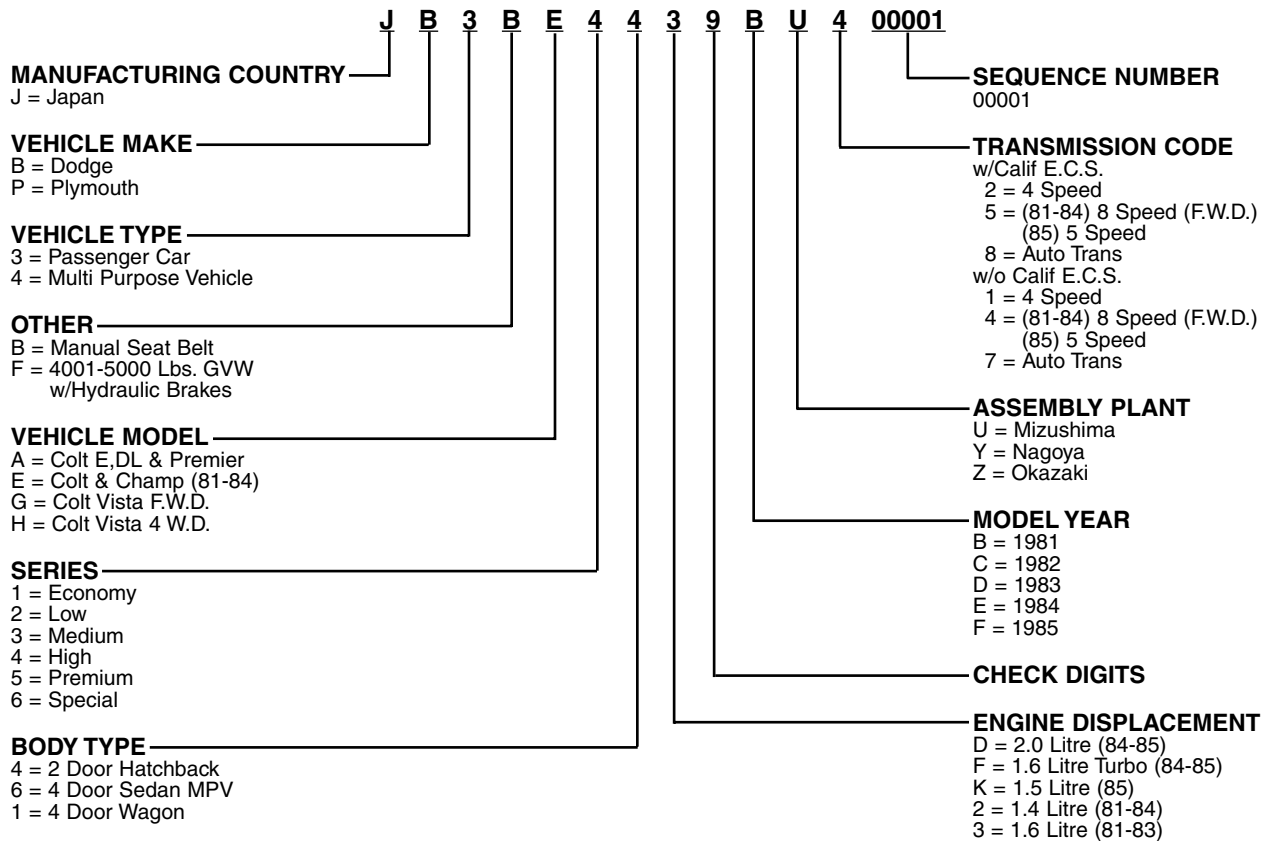
IDENTIFICATION NUMBER OR PLATE LOCATION

Model identification plates are located on left upper dash panel, visible through windshield.

1979-80



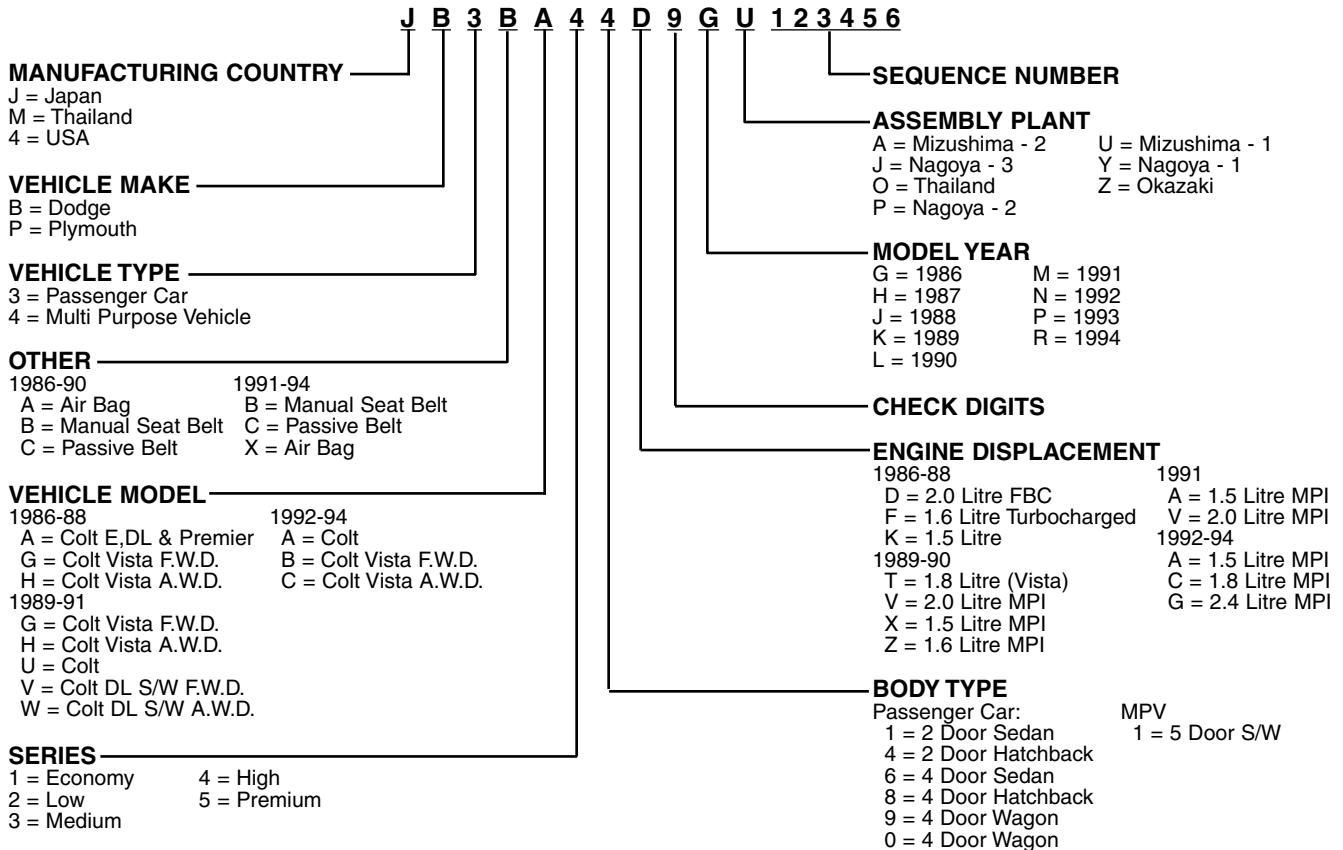
1981-85



CHAMP, COLT & VISTA F.W.D. (Cont.)

IDENTIFICATION NUMBER OR PLATE LOCATION

1986-94



ENGINE IDENTIFICATION NUMBER LOCATION

Engine model number and serial number are stamped at the right front side on top edge of cylinder block. Engine model numbers are as follows:

ENGINE IDENTIFICATION CODES

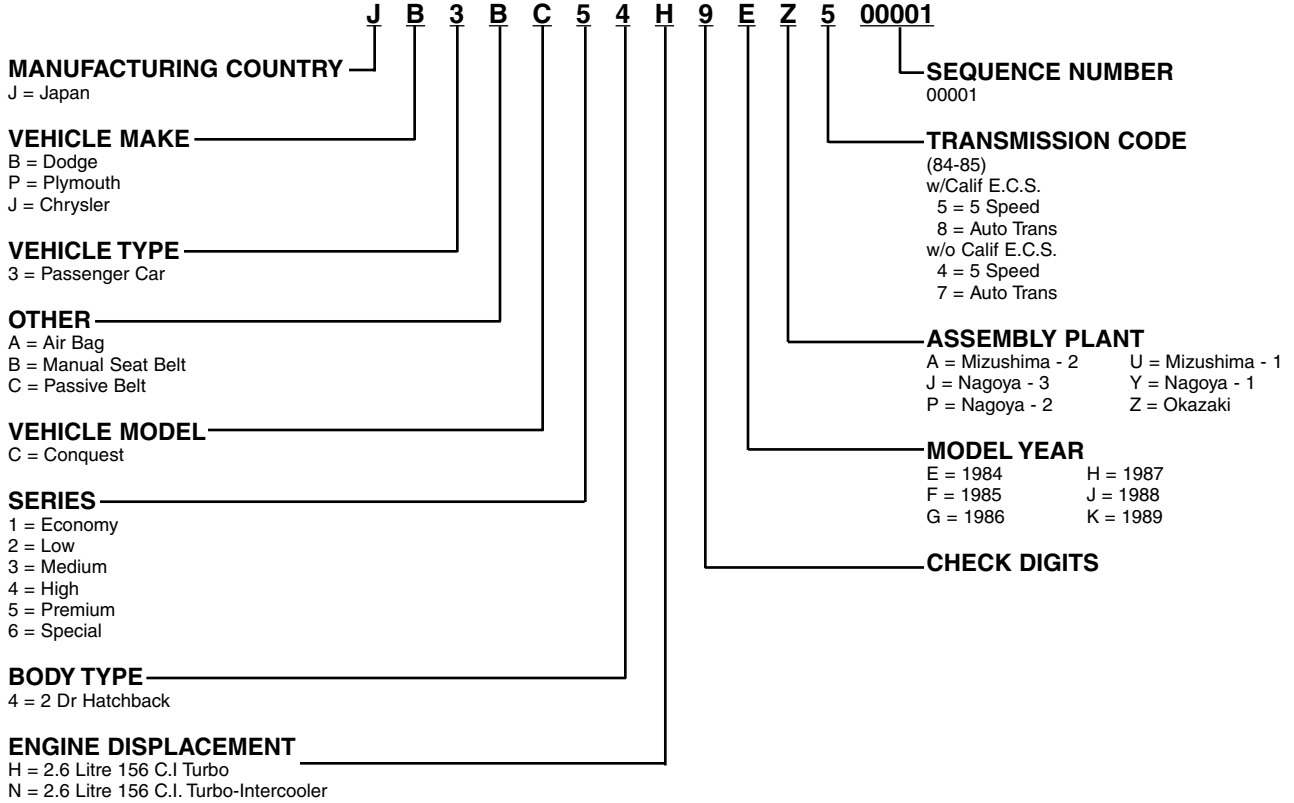
DISPLACEMENT	ENGINE MODEL	SERIAL NUMBER	DISPLACEMENT	ENGINE MODEL	SERIAL NUMBER
1979-83			1989-91		
1.4 Litre	G12B	12A00101 & Up	1.5 Litre	G15B, 4G15	15AA0201 & Up
1.6 Litre	G32B	2A00101 & Up	1.6 Litre	4G61	61AA0201 & Up
1984			1.8 Litre	4G37	37AA0201 & Up
1.4 Litre	G12B	12A00101 & Up	2.0 Litre	G63B	63AA0201 & Up
1.6 Litre	G32B	2A00101 & Up	1992-94		
2.0 Litre	G63B	63A00101 & Up	1.5 Litre	4G15	15AA0201 & Up
1985			1.8 Litre	4G93	93AA0201 & Up
1.5 Litre	G15B	15A00101 & Up	2.4 Litre	4G64	64AA0201 & Up
1.6 Litre	G32B	2A00101 & Up			
2.0 Litre	G63B	63A00101 & Up			
1986-88					
1.5 Litre	G15B, 4G15	15AA0201 & Up			
1.6 Litre	G32B	32AA0201 & Up			
2.0 Litre	G63B	63AA0201 & Up			

CONQUEST

IDENTIFICATION NUMBER OR PLATE LOCATION

Model identification plates are located on left upper dash panel, visible through windshield.

1984-89



ENGINE IDENTIFICATION NUMBER LOCATION

Engine model number and serial number are stamped at the right front side on top edge of cylinder block. Engine model numbers are as follows:

ENGINE IDENTIFICATION CODES

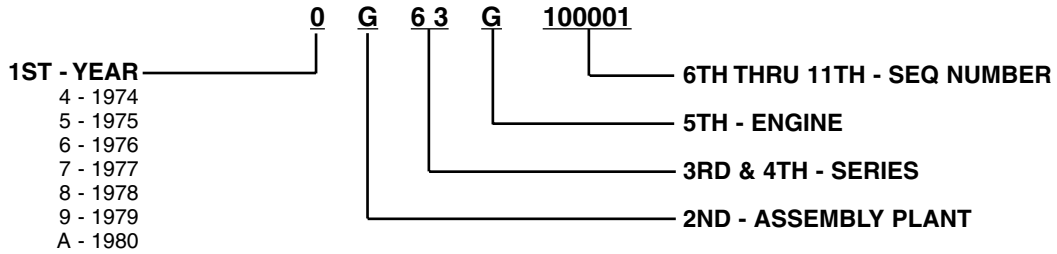
DISPLACEMENT	ENGINE MODEL
2.6 Litre	G54B

FORD MOTOR COMPANY
(Includes: Lincoln & Mercury)

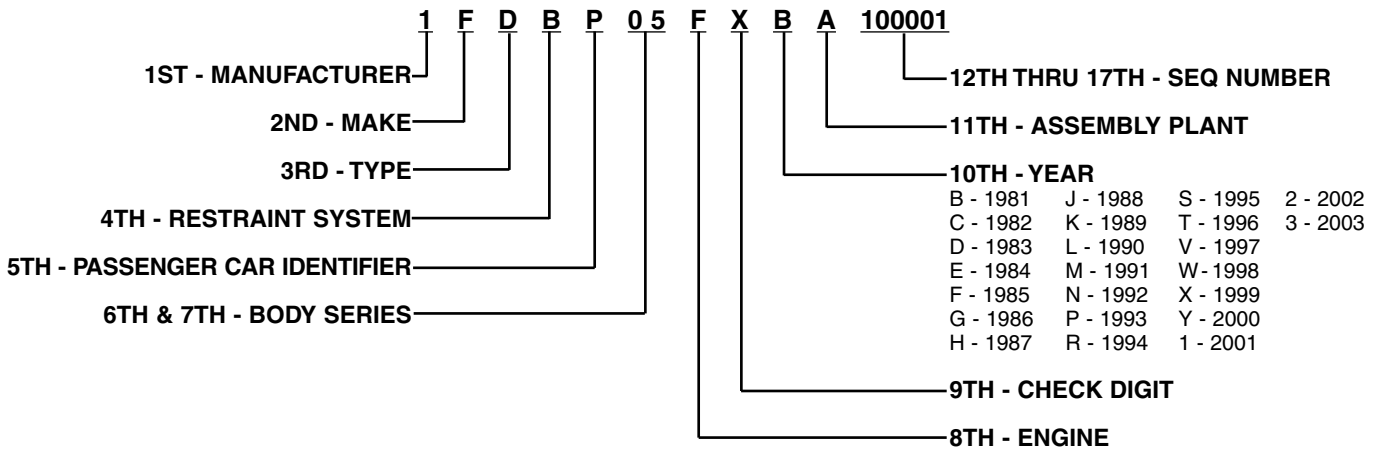
LOCATION: The Vehicle Identification Number (VIN) is stamped on a metal plate. The plate is attached to the upper left corner of the instrument panel and is visible from outside the vehicle through the windshield. It can also be found on the Vehicle Certification Label located on the left front door lock face panel and/or door pillar.

SAMPLE VIN:

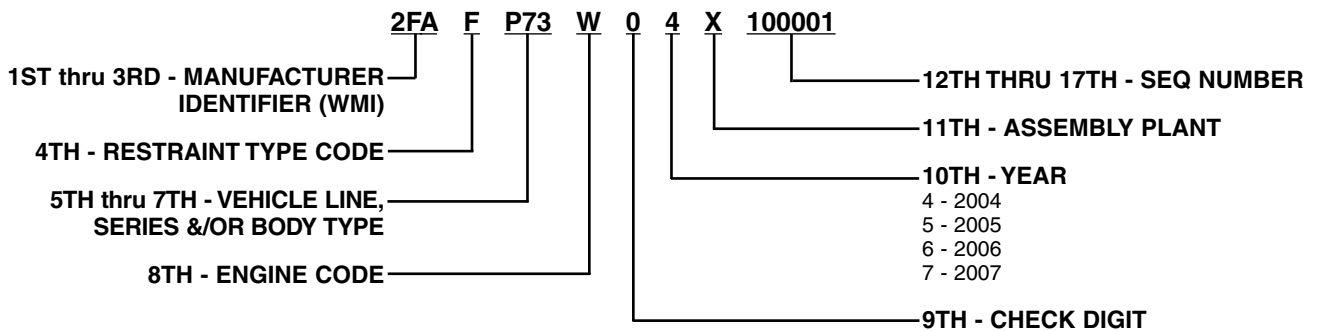
1974-80
(11 DIGIT NUMBER)



1981-2003
(17 DIGIT NUMBER)



2004-2007
(17 DIGIT NUMBER)



VEHICLE IDENTIFICATION

VIN DECODING

FORD MOTOR CO.

1974 FORD MOTOR CO.**1st Position - MODEL YEAR**

4 1974

2nd Position - ASSEMBLY PLANT**3rd & 4th Positions - SERIES**

COMET

30 4 Dr Sed

31 2 Dr Sed

COUGAR

92 Conv

93 XR7 2 Dr HT

94 XR7 Conv

FORD

52 Custom 500 2 Dr HT

53 Custom 500 4 Dr Sed

54 Galaxie 500 4 Dr Sed

56 Galaxie 500 4 Dr HT

58 Galaxie 500 2 Dr HT

62 LTD 2 Dr HT

63 LTD 4 Dr Sed

64 LTD 4 Dr HT

66 LTD Brougham 4 Dr Sed

67 LTD Brougham 4 Dr HT

68 LTD Brougham 2 Dr HT

72 Custom 500 Ranch Wagon

74 Custom Sed

76 Country Squire

LINCOLN

81 2 Dr HT

82 4 Dr Sed

MARK IV

89 2 Dr Sed

MAVERICK

91 2 Dr Sed

92 4 Dr Sed

93 Grabber 2 Dr Sed

METEOR

49 Rideau 500 4 Dr Sed

50 Montcalm 4 Dr Sed

51 Rideau 500 2 Dr HT

52 Montcalm 2 Dr HT

70 Rideau 500 S/W

71 Montcalm S/W

MERCURY

40 Marquis 4 Dr Sed

41 Marquis 2 Dr HT

42 Marquis 4 Dr HT

44 Monterey 4 Dr Sed

46 Monterey 2 Dr HT

54 Monterey Custom 4 Dr Sed

56 Monterey Custom 2 Dr HT

62 Marquis Brougham 4 Dr Sed

63 Marquis 4 Dr Sed

64 Marquis Brougham 2 Dr HT

66 Marquis 2 Dr HT

67 Marquis Brougham 4 Dr HT

68 Marquis 4 Dr HT

72 Monterey S/W

74 Marquis S/W

76 Marquis Brougham S/W

MONTEGO

02 4 Dr Sed

03 2 Dr HT (Formal Roof)

04 MX 4 Dr Sed

07 MX 2 Dr HT (Formal Roof)

08 MX S/W

10 Brougham 4 Dr Sed

11 Brougham 2 Dr HT (Formal Roof)

18 Villager S/W

MUSTANG

02 2 Dr Sed

03 2 Dr Hatchback

04 Ghia 2 Dr Sed

05 Mach I 2 Dr Hatchback

PINTO

10 2 Dr Sed

11 2 Dr Hatchback

12 2 Dr S/W

THUNDERBIRD

87 2 Dr HT

TORINO

21 Gran Torino Elite 2 Dr HT

25 2 Dr HT (Formal Roof)

27 4 Dr Sed

30 Gran Torino 2 Dr HT (Formal Roof)

31 Gran Torino 4 Dr Sed

32 Gran Torino Brougham 2 Dr HT

33 Gran Torino Brougham 4 Dr Sed

38 Gran Torino Sport 2 Dr HT (Formal Roof)

40 S/W

42 Gran Torino S/W

43 Gran Torino Squire S/W

47 500 Ranchero

48 GT Ranchero

49 Squire Ranchero

5th Position - ENGINE TYPE

A 8-460 (7.5) 4BC exc Police

C 8-460 (7.5) 4BC Police

F 8-302 (5.0) 2BC

H 8-351 (5.8) 2BC

L 6-250 (4.1) 1BC

Q 8-351 (5.8) 4BC Cobra Jet

S 8-400 (6.6) 2BC

T 6-200 (3.3) 1BC

X 4-122 (2.0) 1BC

Y 4-140 (2.3) 2BC

Z 6-171 (2.8) 2BC

6th thru 11th Positions - SEQUENCE NUMBER

A sequential serial number assigned by the vehicle manufacturer.

1975 FORD MOTOR CO.**1st Position - MODEL YEAR**

5 1975

2nd Position - ASSEMBLY PLANT**3rd & 4th Positions - SERIES**

BOBCAT

20 2 Dr Sed (Hatchback)

22 2 Dr S/W

23 2 Dr Sed (Canada)

24 2 Dr Sed (Hatchback) (Canada)

25 2 Dr S/W (Canada)

COMET

30 4 Dr Sed

31 2 Dr Sed

COUGAR

92 Conv

93 XR7 2 Dr HT

FORD

52 Custom 500 2 Dr HT

53 Custom 500 4 Dr Sed

62 LTD 2 Dr Sed

63 LTD 4 Dr Sed

64 LTD Landau 4 Dr Sed

65 LTD Landau 2 Dr Sed

66 LTD Brougham 4 Dr Sed

68 LTD Brougham 2 Dr Sed

72 Custom 500 Ranch Wagon

74 LTD S/W

76 Country Squire

GRANADA

81 4 Dr Sed

82 2 Dr Sed

83 Ghia 4 Dr Sed

84 Ghia 2 Dr Sed

LINCOLN

81 2 Dr Sed

82 4 Dr Sed

MARK IV

89 2 Dr Sed

MAVERICK

91 2 Dr Sed

92 4 Dr Sed

93 Grabber 2 Dr Sed

METEOR

49 Rideau 500 4 Dr Sed

50 Montcalm 4 Dr Sed

51 Rideau 500 2 Dr HT

52 Montcalm 2 Dr HT

70 Rideau 500 S/W

71 Montcalm S/W

MERCURY

60 Gran Marquis 4 Dr Sed

61 Gran Marquis 2 Dr HT

62 Marquis Brougham 4 Dr Sed

63 Marquis 4 Dr Sed

64 Marquis Brougham 2 Dr HT

66 Marquis 2 Dr HT

74 Marquis S/W

76 Marquis Brougham S/W

MONARCH

34 4 Dr Sed

35 2 Dr Sed

37 Ghia 4 Dr Sed

38 Ghia 2 Dr Sed

MONTEGO

02 4 Dr Sed

03 2 Dr HT (Formal Roof)

04 MX 4 Dr Sed

07 MX 2 Dr HT (Formal Roof)

08 MX S/W

10 Brougham 4 Dr Sed

11 Brougham 2 Dr HT (Formal Roof)

18 Villager S/W

MUSTANG

02 2 Dr Sed

03 2 Dr Hatchback

04 Ghia 2 Dr Sed

05 Mach I 2 Dr Hatchback

PINTO

10 2 Dr Sed

11 2 Dr Hatchback

12 2 Dr S/W

THUNDERBIRD

87 2 Dr HT

TORINO

21 Gran Torino Elite 2 Dr HT

25 2 Dr HT (Formal Roof)

27 4 Dr Sed

30 Gran Torino 2 Dr HT (Formal Roof)

31 Gran Torino 4 Dr Sed

32 Gran Torino Brougham 2 Dr HT

33 Gran Torino Brougham 4 Dr Sed

38 Gran Torino Sport 2 Dr HT (Formal Roof)

40 S/W

42 Gran Torino S/W

43 Gran Torino Squire S/W

47 500 Ranchero

48 GT Ranchero

49 Squire Ranchero

5th Position - ENGINE TYPE

A 8-460 (7.5) 4BC exc Police

C 8-460 (7.5) 4BC Police

F 8-302 (5.0) 2BC

H 8-351 (5.8) 2BC

L 6-250 (4.1) 1BC

S 8-400 (6.6) 2BC

T 6-200 (3.3) 1BC

Y 4-140 (2.3) 2BC

Z 6-171 (2.8) 2BC

6th thru 11th Positions - SEQUENCE NUMBER

A sequential serial number assigned by the vehicle manufacturer.

1976 FORD MOTOR CO.**1st Position - MODEL YEAR**

6 1976

2nd Position - ASSEMBLY PLANT**3rd & 4th Positions - SERIES**

BOBCAT

20 2 Dr Sed (Hatchback)

22 2 Dr S/W

23 2 Dr Sed (Canada)

24 2 Dr Sed (Hatchback) (Canada)

25 2 Dr S/W (Canada)

COMET

30 4 Dr Sed

31 2 Dr Sed

COUGAR

93 XR7 2 Dr HT

FORD

52 Custom 500 2 Dr HT

53 Custom 500 4 Dr Sed

62 LTD 2 Dr Sed

63 LTD 4 Dr Sed

64 LTD Landau 4 Dr Sed

65 LTD Landau 2 Dr Sed

66 LTD Brougham 4 Dr Sed

68 LTD Brougham 2 Dr Sed

72 Custom 500 Ranch Wagon

74 LTD S/W

76 Country Squire

Cont.

1976 FORD MOTOR CO. (Cont.)

GRANADA

81 4 Dr Sed
82 2 Dr Sed
83 Ghia 4 Dr Sed
84 Ghia 2 Dr Sed

LINCOLN

81 2 Dr Sed
82 4 Dr Sed

MARK IV

89 2 Dr Sed

MAVERICK

91 2 Dr Sed
92 4 Dr Sed

METEOR

49 Rideau 500 4 Dr Sed
50 Montcalm 4 Dr Sed
51 Rideau 500 2 Dr HT
52 Montcalm 2 Dr HT
70 Rideau 500 S/W
71 Montcalm S/W

MERCURY

60 Gran Marquis 4 Dr Sed
61 Gran Marquis 2 Dr HT
62 Marquis Brougham 4 Dr Sed
63 Marquis 4 Dr Sed
64 Marquis Brougham 2 Dr HT
66 Marquis 2 Dr HT
74 Marquis S/W
76 Marquis Brougham S/W

MONARCH

34 4 Dr Sed
35 2 Dr Sed
37 Ghia 4 Dr Sed
38 Ghia 2 Dr Sed

MONTEGO

02 4 Dr Sed
03 2 Dr HT (Formal Roof)
04 MX 4 Dr Sed
07 MX 2 Dr HT (Formal Roof)
08 MX S/W
10 Brougham 4 Dr Sed
11 Brougham 2 Dr HT (Formal Roof)
18 Villager S/W

MUSTANG

02 2 Dr Sed
03 2 Dr Hatchback
04 Ghia 2 Dr Sed
05 Mach I 2 Dr Hatchback

PINTO

10 2 Dr Sed
11 2 Dr Hatchback
12 2 Dr S/W

THUNDERBIRD

87 2 Dr HT

TORINO

21 Gran Torino Elite 2 Dr HT
25 2 Dr HT (Formal Roof)
27 4 Dr Sed
30 Gran Torino 2 Dr HT (Formal Roof)
31 Gran Torino 4 Dr Sed
32 Gran Torino Brougham 2 Dr HT
33 Gran Torino Brougham 4 Dr Sed
38 Gran Torino Sport 2 Dr HT (Formal Roof)
40 S/W
42 Gran Torino S/W
43 Gran Torino Squire S/W
47 500 Ranchero
48 GT Ranchero
49 Squire Ranchero

5th Position - ENGINE TYPE

A	8-460 (7.5)	4BC	exc Police
C	8-460 (7.5)	4BC	Police
F	8-302 (5.0)	2BC	
H	8-351 (5.8)	2BC	
L	6-250 (4.1)	1BC	
S	8-400 (6.6)	2BC	
T	6-200 (3.3)	1BC	
Y	4-140 (2.3)	2BC	
Z	6-171 (2.8)	2BC	

6th thru 11th Positions - SEQUENCE NUMBER

A sequential serial number assigned by the vehicle manufacturer.

1977 FORD MOTOR CO.**1st Position - MODEL YEAR**

7 1977

2nd Position - ASSEMBLY PLANT**3rd & 4th Positions - SERIES**

BOBCAT

20 2 Dr Sed (Hatchback)
22 2 Dr S/W
23 2 Dr Sed (Canada)
24 2 Dr Sed (Hatchback) (Canada)
25 2 Dr S/W (Canada)

COMET

30 4 Dr Sed
31 2 Dr Sed

COUGAR

90 4 Dr Sed
91 2 Dr HT
92 S/W
93 XR7 2 Dr HT
94 Brougham 4 Dr Sed
95 Brougham 2 Dr HT
96 Villager S/W

FORD

52 Custom 500 2 Dr HT
53 Custom 500 4 Dr Sed
62 LTD 2 Dr Sed
63 LTD 4 Dr Sed
64 LTD Landau 4 Dr Sed
65 LTD Landau 2 Dr Sed
72 Custom 500 Ranch Wagon
74 LTD S/W

GRANADA

81 4 Dr Sed
82 2 Dr Sed
83 Ghia 4 Dr Sed
84 Ghia 2 Dr Sed

LINCOLN

81 2 Dr Sed
82 4 Dr Sed

LTD II

25 S 2 Dr HT
27 S 4 Dr Sed
30 2 Dr HT
31 4 Dr Sed
32 Brougham 2 Dr HT
33 Brougham 4 Dr Sed
40 S/W
42 S/W
43 Squire S/W
47 500 Ranchero
48 GT Ranchero
49 Squire Ranchero

MARK V

89 2 Dr Sed

MAVERICK

91 2 Dr Sed
92 4 Dr Sed

MERCURY

50 Marquis 4 Dr Sed (Canada)
52 Marquis 2 Dr HT (Canada)
60 Gran Marquis 4 Dr Sed
61 Gran Marquis 2 Dr HT
62 Marquis Brougham Sed
63 Marquis 4 Dr Sed
64 Marquis Brougham 2 Dr HT
66 Marquis 2 Dr HT
74 Marquis S/W
76 Marquis Brougham S/W

MONARCH

34 4 Dr Sed
35 2 Dr Sed
37 Ghia 4 Dr Sed
38 Ghia 2 Dr Sed

MUSTANG

02 2 Dr Sed
03 2 Dr Hatchback
04 Ghia 2 Dr Sed
05 Mach I 2 Dr Hatchback

PINTO

10 2 Dr Sed
11 2 Dr Hatchback
12 2 Dr S/W

THUNDERBIRD

87 2 Dr HT

VERSAILLES

84 4 Dr Sed

5th Position - ENGINE TYPE

A	8-460 (7.5)	4BC	exc Police
C	8-460 (7.5)	4BC	Police
F	8-302 (5.0)	2BC	
H	8-351 (5.8)	2BC	
L	6-250 (4.1)	1BC	
S	8-400 (6.6)	2BC	
T	6-200 (3.3)	1BC	
Y	4-140 (2.3)	2BC	
Z	6-171 (2.8)	2BC	

6th thru 11th Positions - SEQUENCE NUMBER

A sequential serial number assigned by the vehicle manufacturer.

1978 FORD MOTOR CO.**1st Position - MODEL YEAR**

8 1978

2nd Position - ASSEMBLY PLANT**3rd & 4th Positions - SERIES**

BOBCAT

20 2 Dr Sed (Hatchback)
22 2 Dr S/W
23 2 Dr Sed (Canada)
24 2 Dr Sed (Hatchback) (Canada)
25 2 Dr S/W (Canada)

COUGAR

91 2 Dr HT
92 4 Dr Sed
93 XR7 2 Dr HT

FAIRMONT

91 2 Dr Sed
92 4 Dr Sed
93 2 Dr Sed (Sporty Cpe)
94 S/W

FORD

52 Custom 500 2 Dr HT
53 Custom 500 4 Dr Sed
62 LTD 2 Dr Sed
63 LTD 4 Dr Sed
64 LTD Landau 4 Dr Sed
65 LTD Landau 2 Dr Sed
72 Custom 500 Ranch Wagon
74 LTD S/W

GRANADA

81 2 Dr Sed
82 4 Dr Sed

LINCOLN

81 2 Dr Sed
82 4 Dr Sed

LTD II

25 S 2 Dr HT
27 S 4 Dr Sed
30 2 Dr HT
31 4 Dr Sed
47 500 Ranchero
48 GT Ranchero
49 Squire Ranchero

MARK V

89 2 Dr Sed

MERCURY

50 Marquis 4 Dr Sed (Canada)
52 Marquis 2 Dr HT (Canada)
61 Gran Marquis 2 Dr HT
62 Marquis 4 Dr Sed
63 Marquis Brougham 2 Dr HT
64 Marquis Brougham 4 Dr Sed
65 Gran Marquis 2 Dr HT
66 Gran Marquis 4 Dr Sed
74 Marquis S/W

MONARCH

33 2 Dr Sed
34 4 Dr Sed

MUSTANG

02 2 Dr Sed
03 2 Dr Hatchback
04 Ghia 2 Dr Sed
05 Mach I 2 Dr Hatchback

PINTO

10 2 Dr Sed
11 2 Dr Hatchback
12 2 Dr S/W

THUNDERBIRD

87 2 Dr HT

VERSAILLES

84 4 Dr Sed

VEHICLE IDENTIFICATION

VIN DECODING

FORD MOTOR CO.

1978 FORD MOTOR CO. (Cont.)

ZEPHYR

- 31 2 Dr Sed
32 4 Dr Sed
35 Sporty Cpe 2 Dr Sed
36 S/W

5th Position - ENGINE TYPE

- | | | | |
|---|-------------|-----|------------|
| A | 8-460 (7.5) | 4BC | exc Police |
| C | 8-460 (7.5) | 4BC | Police |
| F | 8-302 (5.0) | 2BC | |
| H | 8-351 (5.8) | 2BC | |
| L | 6-250 (4.1) | 1BC | |
| S | 8-400 (6.6) | 2BC | |
| T | 6-200 (3.3) | 1BC | |
| Y | 4-140 (2.3) | 2BC | |
| Z | 6-171 (2.8) | 2BC | |

6th thru 11th Positions - SEQUENCE NUMBER

A sequential serial number assigned by the vehicle manufacturer.

1979 FORD MOTOR CO.**1st Position - MODEL YEAR**

- 9 1979

2nd Position - ASSEMBLY PLANT**3rd & 4th Positions - SERIES**

BOBCAT

- 20 2 Dr Sed (Hatchback)
22 2 Dr S/W
23 2 Dr Sed (Canada)
24 2 Dr Sed (Hatchback) (Canada)
25 2 Dr S/W (Canada)

CAPRI

- 14 2 Dr Hatchback
16 Ghia 2 Dr Hatchback

COUGAR

- 91 2 Dr HT
92 4 Dr Sed
93 XR7 2 Dr HT

FAIRMONT

- 91 2 Dr Sed
92 4 Dr Sed
93 2 Dr Sed (Sporty Cpe)
94 S/W

FORD

- 62 Custom 500 2 Dr Sed (Canada)
LTD 2 Dr Sed
63 Custom 500 4 Dr Sed (Canada)
LTD 4 Dr Sed
64 LTD Landau 2 Dr Sed
65 LTD Landau 4 Dr Sed
74 Custom 500 4 Dr S/W (Canada)
LTD S/W

- 76 Country Squire S/W

GRANADA

- 81 2 Dr Sed
82 4 Dr Sed

LINCOLN

- 81 2 Dr Sed
82 4 Dr Sed

LTD II

- 25 S 2 Dr HT
27 S 4 Dr Sed
30 2 Dr HT
31 4 Dr Sed
47 500 Ranchero
48 GT Ranchero
49 Squire Ranchero

MARK V

- 89 2 Dr Sed

MERCURY

- 61 Marquis 2 Dr Sed
62 Marquis 4 Dr Sed
63 Marquis Brougham 2 Dr Sed
64 Marquis Brougham 4 Dr Sed
65 Gran Marquis 2 Dr Sed
66 Gran Marquis 4 Dr Sed
74 Marquis S/W
76 Colony Park S/W

MUSTANG

- 02 2 Dr Sed
03 2 Dr Hatchback
04 Ghia 2 Dr Sed
05 Ghia 2 Dr Hatchback

PINTO

- 10 2 Dr Sed
11 2 Dr Hatchback

THUNDERBIRD

- 87 2 Dr HT

VERSAILLES

- 84 4 Dr Sed

ZEPHYR

- 31 2 Dr Sed
32 4 Dr Sed
35 Sporty Cpe 2 Dr Sed
36 S/W

5th Position - ENGINE TYPE

- | | | | |
|---|-------------|-----|-------|
| F | 8-302 (5.0) | 2BC | |
| H | 8-351 (5.8) | 2BC | |
| L | 6-250 (4.1) | 1BC | |
| S | 8-400 (6.6) | 2BC | |
| T | 6-200 (3.3) | 1BC | |
| W | 4-140 (2.3) | 2BC | Turbo |
| Y | 4-140 (2.3) | 2BC | |
| Z | 6-171 (2.8) | 2BC | |

6th thru 11th Positions - SEQUENCE NUMBER

A sequential serial number assigned by the vehicle manufacturer.

1980 FORD MOTOR CO.**1st Position - MODEL YEAR**

- A or 0 1980

2nd Position - ASSEMBLY PLANT**3rd & 4th Positions - SERIES**

BOBCAT

- 20 2 Dr Sed (Hatchback)
22 2 Dr S/W
23 2 Dr Sed (Canada)
24 2 Dr Sed (Hatchback) (Canada)
25 2 Dr S/W (Canada)

CAPRI

- 14 2 Dr Hatchback
16 Ghia 2 Dr Hatchback

COUGAR

- 93 XR7 2 Dr HT

FAIRMONT

- 91 2 Dr Sed
92 4 Dr Sed
93 2 Dr Sed (Sport Cpe)
94 S/W

FORD

- 60 LTD S 2 Dr Sed
61 LTD S 4 Dr Sed
62 Custom 500 2 Dr Sed
LTD 2 Dr Sed
Custom 500 4 Dr Sed
63 LTD 4 Dr Sed
64 LTD Crown Victoria 2 Dr Sed
65 LTD Crown Victoria 4 Dr Sed
72 LTD S 4 Dr S/W
74 Custom 500 4 Dr S/W (Canada)
LTD S/W

- 76 Country Squire S/W

GRANADA

- 81 2 Dr Sed
82 4 Dr Sed

LINCOLN

- 81 2 Dr Sed
82 4 Dr Sed

MARK VI

- 89 2 Dr Sed
90 4 Dr Sed

MERCURY

- 61 Marquis 2 Dr Sed
62 Marquis Brougham 4 Dr Sed
63 Marquis Brougham 2 Dr Sed
64 Marquis Brougham 4 Dr Sed
65 Gran Marquis 2 Dr Sed
66 Gran Marquis 4 Dr Sed
74 Marquis S/W
76 Colony Park S/W

MONARCH

- 33 2 Dr Sed
34 4 Dr Sed

MUSTANG

- 02 2 Dr Sed
03 2 Dr Hatchback

04 Ghia 2 Dr Sed

05 Ghia 3 Dr Sed

PINTO

- 10 2 Dr Sed
11 2 Dr Sed (Hatchback)
12 2 Dr S/W

THUNDERBIRD

- 87 2 Dr Sed

VERSAILLES

- 84 4 Dr Sed

ZEPHYR

- 31 2 Dr Sed
32 4 Dr Sed
35 Sporty Cpe 2 Dr Sed
36 4 Dr S/W

5th Position - ENGINE TYPE

- | | | |
|---|------------------------|-----|
| A | 4-140 (2.3) | 2BC |
| B | 6-200 (3.3) | 1BC |
| C | 6-250 (4.1) | 1BC |
| D | 8-255 (4.2) | 2BC |
| F | 8-302 (5.0) | 2BC |
| G | 8-351 (5.8) | 2BC |
| O | Domestic Special Order | |

6th thru 11th Positions - SEQUENCE NUMBER

A sequential serial number assigned by the vehicle manufacturer.

1981 FORD MOTOR CO.**1st Position - MANUFACTURER**

- W Ford Werke A.G., Germany
1 Ford Motor, Co., USA
2 Ford Motor Co., Canada, Ltd.
9 Ford Brazil, SA

2nd Position - MAKE

- | | | | |
|---|---------|---|-------------|
| B | Ford | L | Lincoln |
| C | Ford | M | Continental |
| F | Ford | | Mercury |
| | Mercury | N | Continental |
| | Merkur | | |

3rd Position - TYPE

- A Passenger Car
D Incomplete Vehicle
E Passenger Car
F Motor Vehicle Equip w/o Engine/Powertrain (Glider)
H Incomplete Vehicle
J Incomplete Vehicle
M Multipurpose Vehicle
N Lincoln
R Passenger Car

4th Position - RESTRAINT SYSTEM

- B Active Belts
C Air Bags and Active Belts (Front)
P Passive Belts (Front)

5th Position - PASSENGER CAR IDENTIFIER

- M Lincoln/Mercury Make
P Ford Make
T Import & Non Ford Built

6th & 7th Positions - BODY SERIES

CAPRI

- 67 2 Dr Sed Hatchback
68 Ghia 2 Dr Sed Hatchback

COUGAR

- 76 2 Dr Sed exc XR7
77 4 Dr Sed exc XR7
90 XR7 2 Dr Sed

ESCORT

- 05 2 Dr Sed Hatchback
08 4 Dr Liftgate (S/W)

FAIRMONT

- 20 2 Dr Sed
21 Futura 4 Dr Sed
22 Futura 2 Dr Sport Cpe
23 Futura 4 Dr S/W

FORD

- 31 LTD S 4 Dr Sed
32 LTD 2 Dr Sed
33 LTD 4 Dr Sed
34 LTD Crown Victoria 2 Dr Sed
35 LTD Crown Victoria 4 Dr Sed
37 LTD S 4 Dr S/W
38 LTD 4 Dr S/W
39 LTD Country Squire 4 Dr S/W

Cont.

1981 FORD MOTOR CO. (Cont.)

GRANADA

26 2 Dr Sed

27 4 Dr Sed

LINCOLN

93 2 Dr Sed

94 4 Dr Sed

LYNX

63 2 Dr Sed Hatchback

64 4 Dr Sed Hatchback

65 4 Dr Liftgate

MARK VI

95 2 Dr Cpe

96 4 Dr Sed

MERCURY

81 Marquis 4 Dr Sed

Meteor (Canada)

82 Marquis Brougham 2 Dr Sed

83 Marquis Brougham 4 Dr Sed

84 Gran Marquis 2 Dr Sed

85 Gran Marquis 4 Dr Sed

87 Marquis 4 Dr S/W

Meteor (Canada)

88 Colony Park 4 Dr S/W

MUSTANG

10 2 Dr Sed

12 Ghia 2 Dr Sed

13 Ghia 2 Dr Sed Hatchback

15 Cobra 2 Dr Sed Hatchback

THUNDERBIRD

42 Town Landau Heritage

ZEPHYR

70 2 Dr Sed

71 4 Dr Sed

72 Z7 2 Dr Sed

73 4 Dr S/W

8th Position - ENGINE TYPE

A	4-140 (2.3)	2BC	
B	6-200 (3.3)	1BC	
D	8-255 (4.2)	2BC	
F	8-302 (5.0)	CFI	
G	8-351 (5.8)	2BC	
T	4-140 (2.3)	2BC	Turbo
2	4-98 (1.6)	1BC	

9th Position - CHECK DIGIT

A single number or the letter "X" used to verify the accuracy of the VIN.

10th Position - MODEL YEAR

B 1981

11th Position - ASSEMBLY PLANT**12th thru 17th Positions - SEQUENCE NUMBER**

A sequential serial number assigned by the vehicle manufacturer.

1982 FORD MOTOR CO.**1st Position - MANUFACTURER**

1 Ford Motor Co., USA
2 Ford Motor Co., Canada, Ltd.
9 Ford Brazil, SA

2nd Position - MAKE

B	Ford	L	Lincoln
C	Ford	M	Continental
F	Ford		Mercury
	Mercury	N	Continental

3rd Position - TYPE

A	Passenger Car
D	Incomplete Vehicle
E	Passenger Car
F	Motor Vehicle Equip. w/o Engine/ Powertrain (Glider)
H	Incomplete Vehicle
J	Incomplete Vehicle
M	Multipurpose Vehicle
N	Lincoln
R	Passenger Car

4th Position - RESTRAINT SYSTEM

B	Active Belts
C	Air Bags and Active Belts (Front)
P	Passive Belts (Front)

5th Position - PASSENGER CAR IDENTIFIER

M Lincoln/Mercury Make
P Ford Make
T Import & Non Ford Built

6th & 7th Positions - BODY SERIES

CAPRI
67 2 Dr Sed Hatchback
68 Ghia 2 Dr Sed Hatchback
COUGAR
76 2 Dr Sed exc XR7
77 4 Dr Sed exc XR7
78 4 Dr S/W exc XR7
90 XR7 2 Dr Sed
ESCORT
05 2 Dr Sed Hatchback
06 4 Dr Sed Hatchback
08 4 Dr Liftgate (3W)

EXP

01 2 Dr Hatchback Cpe

FAIRMONT

20 2 Dr Sed

21 Futura 4 Dr Sed

22 Futura 2 Dr Sport Cpe

23 Futura 4 Dr S/W

FORD

31 LTD S 4 Dr Sed

32 LTD 2 Dr Sed

33 LTD 4 Dr Sed

34 LTD Crown Victoria 2 Dr Sed

35 LTD Crown Victoria 4 Dr Sed

37 LTD S 4 Dr S/W

38 LTD 4 Dr S/W

39 LTD Country Squire 4 Dr S/W

GRANADA

26 2 Dr Sed

27 4 Dr Sed

28 4 Dr S/W

LINCOLN

94 4 Dr Sed

4 Dr Sed Town Car

98 4 Dr Sed Continental

LN7

61 2 Dr Hatchback Cpe

LYNX

63 2 Dr Sed Hatchback

64 4 Dr Sed Hatchback

65 4 Dr Liftgate

MARK VI

95 2 Dr Cpe

96 4 Dr Sed

MERCURY

84 Marquis 4 Dr Sed

Meteor (Canada)

82 Marquis Brougham 2 Dr Sed

83 Marquis Brougham 4 Dr Sed

84 Gran Marquis 2 Dr Sed

85 Gran Marquis 4 Dr Sed

87 Marquis 4 Dr S/W

Meteor (Canada)

88 Colony Park 4 Dr S/W

MUSTANG

10 2 Dr Sed

12 Ghia 2 Dr Sed

13 Ghia 2 Dr Sed Hatchback

16 2 Dr Sed Hatchback

THUNDERBIRD

42 Town Landau Heritage

ZEPHYR

71 4 Dr Sed

72 Z7 2 Dr Sed

8th Position - ENGINE TYPE

A	4-140 (2.3)	2BC	
B	6-200 (3.3)	1BC	
D	8-255 (4.2)	2BC	
F	8-302 (5.0)	2BC	or CFI
G	8-351 (5.8)	2BC	
T	4-140 (2.3)	2BC	Turbo
2	4-98 (1.6)	1BC	
3	6-232 (3.8)	2BC	
6	4-140 (2.3)	LPG	

9th Position - CHECK DIGIT

A single number or the letter "X" used to verify the accuracy of the VIN.

10th Position - MODEL YEAR

C 1982

11th Position - ASSEMBLY PLANT**12th thru 17th Positions - SEQUENCE NUMBER**

A sequential serial number assigned by the vehicle manufacturer.

1983 FORD MOTOR CO.**1st Position - MANUFACTURER**

W Ford Werke A.G., Germany
1 Ford Motor Co, USA
2 Ford Motor Co, Canada, Ltd
9 Ford Brazil, SA

2nd Position - MAKE

B	Ford	L	Lincoln
C	Ford	M	Continental
F	Ford		Mercury
	Mercury	N	Continental

3rd Position - TYPE

A	Passenger Car
D	Incomplete Vehicle
E	Passenger Car
F	Motor Vehicle Equip w/o Engine/ Powertrain (Glider)
H	Incomplete Vehicle
J	Incomplete Vehicle
M	Multipurpose Vehicle
N	Lincoln
R	Passenger Car

4th Position - RESTRAINT SYSTEM

B	Active Belts
C	Air Bags and Active Belts (Front)
P	Passive Belts (Front)

5th Position - PASSENGER CAR IDENTIFIER

M Lincoln/Mercury Make
P Ford Make
T Import & Non Ford Built

6th & 7th Positions - BODY SERIES

CAPRI

79 2 Dr Sed Hatchback

COUGAR

92 2 Dr Sed

ESCORT

04 2 Dr Sed Hatchback Base Series

05 2 Dr Sed Hatchback GL Turbo Series

06 2 Dr Sed Hatchback GL Series

07 2 Dr Sed Hatchback GT Turbo Series

09 4 Dr S/W Base Series

10 4 Dr S/W GL Series

11 4 Dr S/W GLX Series

13 4 Dr Sed Hatchback Base Series

14 4 Dr Sed Hatchback GL Series

15 4 Dr Sed Hatchback GL Series

EXP

01 2 Dr Hatchback Cpe

FAIRMONT

35 2 Dr Sed

36 4 Dr Sed

37 2 Dr Sport Cpe

FORD

42 LTD Crown Victoria 2 Dr Sed

43 LTD Crown Victoria 4 Dr Sed

44 LTD Country Squire 4 Dr S/W

LN7

51 2 Dr Hatchback Cpe

LINCOLN

96 4 Dr Sed Town Car

97 4 Dr Sed Continental

LTD

39 4 Dr Sed

40 4 Dr S/W

LYNX

54 2 Dr Sed Hatchback Base Series

55 2 Dr Sed Hatchback GS Series

57 2 Dr Sed Hatchback RS Series

58 2 Dr Sed Hatchback LS Series

60 4 Dr S/W Base Series

61 4 Dr S/W GS Series

63 4 Dr S/W LS Series

65 4 Dr Sed Hatchback Base Series

66 4 Dr Sed Hatchback GS Series

68 4 Dr Sed Hatchback LS Series

VEHICLE IDENTIFICATION

VIN DECODING

FORD MOTOR CO.

1983 FORD MOTOR CO. (Cont.)

MARK VI

98 2 Dr Cpe
99 4 Dr Sed

MARQUIS

89 Brougham 4 Dr Sed
90 4 Dr S/W

MERCURY

93 Grand Marquis 2 Dr Sed
94 Grand Marquis Colony Park 4 Dr S/W
95 Grand Marquis 4 Dr Sed

MUSTANG

26 2 Dr Sed
27 2 Dr Sed Conv
28 2 Dr Sed Hatchback

THUNDERBIRD

46 Base, Sport, LX, Turbo 2 Dr Sed

ZEPHYR

86 4 Dr Sed Base
87 2 Dr Sed Z7

8th Position - ENGINE TYPE

A	4-140 (2.3)	1BC	
D	4-140 (2.3)	EFI	Turbo
F	8-302 (5.0)	CFI	
G	8-351 (5.8)	2BC	HO
R	4-140 (2.3)	1BC	HSC
T	4-140 (2.3)	EFI	Turbo
W	4-140 (2.3)	EFI	Turbo
X	6-200 (3.3)	1BC	
2	4-98 (1.6)	2BC	
3	6-232 (3.8)	CFI	
4	4-98 (1.6)	2BC	HO
5	4-98 (1.6)	EFI	
6	4-140 (2.3)	LPG	

9th Position - CHECK DIGIT

A single number or the letter "X" used to verify the accuracy of the VIN.

10th Position - MODEL YEAR

D 1983

11th Position - ASSEMBLY PLANT**12th thru 17th Positions - SEQUENCE NUMBER**

A sequential serial number assigned by the vehicle manufacturer.

1984 FORD MOTOR CO.**1st Position - MANUFACTURER**

W Ford Werke A.G., Germany
1 Ford Motor Co, USA
2 Ford Motor Co, Canada, Ltd
9 Ford Brazil, SA

2nd Position - MAKE

B	Ford	L	Lincoln
C	Ford	M	Continental
F	Ford		Mercury
	Mercury	N	Continental

3rd Position - TYPE

A Passenger Car
D Incomplete Vehicle
E Passenger Car
F Motor Vehicle Equip w/o Engine/
Powertrain (Glider)
H Incomplete Vehicle
J Incomplete Vehicle
M Multipurpose Vehicle
N Lincoln
R Passenger Car

4th Position - RESTRAINT SYSTEM

B Active Belts
C Air Bags and Active Belts (Front)
P Passive Belts (Front)

5th Position - PASSENGER CAR IDENTIFIER

M Lincoln/Mercury Make
P Ford Make
T Import & Non Ford Built

6th & 7th Positions - BODY SERIES

CAPRI
79 2 Dr Sed Hatchback
COUGAR
92 2 Dr Sed

ESCORT

04 2 Dr Sed Hatchback Base Series
05 2 Dr Sed Hatchback GL Turbo Series
07 2 Dr Sed Hatchback GT Turbo Series
09 4 Dr S/W Base Series
10 4 Dr S/W GL Series
11 4 Dr S/W GLX Series
13 4 Dr Sed Hatchback Base Series
14 4 Dr Sed Hatchback GL Series
15 4 Dr Sed Hatchback GL Series

EXP

01 2 Dr Hatchback Cpe

FORD

42 LTD Crown Victoria 2 Dr Sed
43 LTD Crown Victoria 4 Dr Sed
44 LTD Country Squire 4 Dr S/W

LINCOLN

96 4 Dr Sed Town Car
97 4 Dr Sed Continental

LTD

39 4 Dr Sed
40 4 Dr S/W

LYNX

54 2 Dr Sed Hatchback Base Series
55 2 Dr Sed Hatchback GS Series
57 2 Dr Sed Hatchback RS Series
60 4 Dr S/W Base Series
61 4 Dr S/W GS Series
65 4 Dr Sed Hatchback Base Series
66 4 Dr Sed Hatchback GS Series
68 4 Dr Sed Hatchback LS Series

MARK VII

98 2 Dr Cpe

MERCURY

93 Grand Marquis 2 Dr Sed
94 Grand Marquis Colony Park 4 Dr S/W
95 Grand Marquis 4 Dr Sed

MUSTANG

26 2 Dr Sed
27 2 Dr Sed Conv
28 2 Dr Sed Hatchback

TEMPO

18 2 Dr Sed Base Series L
19 2 Dr Sed GL Series
20 2 Dr Sed GLX, LX Series
21 4 Dr Sed Base Series L
22 4 Dr Sed GL Series
23 4 Dr Sed GLX, LX Series

TOPAZ

71 2 Dr Sed Base Series L
72 2 Dr Sed GS Series
73 2 Dr Sed LS Series
74 4 Dr Sed Base Series L
75 4 Dr Sed GS Series
76 4 Dr Sed LS Series

THUNDERBIRD

46 Base, Sport, LX, Turbo 2 Dr Sed

8th Position - ENGINE TYPE

A	4-140 (2.3)	1BC	
F	8-302 (5.0)	CFI	
G	8-351 (5.8)	2BC	HO
H	4-121 (2.0)	Dsl-FI	Toyo Kogyo
L	6-146 (2.4)	Dsl-FI	Turbo
M	8-302 (5.0)	4BC	HO/CFI
R	4-140 (2.3)	1BC	HSC
T	4-140 (2.3)	EFI	Turbo
W	4-140 (2.3)	EFI	Turbo
W	4-140 (2.3)	EFI	Turbo
2	4-98 (1.6)	2BC	
3	6-232 (3.8)	CFI	
4	4-98 (1.6)	2BC	HO
5	4-98 (1.6)	EFI	
6	4-140 (2.3)	LPG	
7	4-9 (1.6)	Methanol	HO
8	4-98 (1.6)	EFI	Turbo

9th Position - CHECK DIGIT

A single number or the letter "X" used to verify the accuracy of the VIN.

10th Position - MODEL YEAR

E 1984

11th Position - ASSEMBLY PLANT**12th thru 17th Positions - SEQUENCE NUMBER**

A sequential serial number assigned by the vehicle manufacturer.

1985 FORD MOTOR CO.**1st Position - MANUFACTURER**

W Ford Werke A.G., Germany
1 Ford Motor Co, USA
2 Ford Motor Co, Canada, Ltd
9 Ford Brazil, SA

2nd Position - MAKE

B	Ford	L	Lincoln
C	Ford	M	Continental
F	Ford		Mercury
	Mercury	N	Continental

3rd Position - TYPE

A Passenger Car
D Incomplete Vehicle
E Passenger Car
F Motor Vehicle Equip w/o Engine/
Powertrain (Glider)
H Incomplete Vehicle
J Incomplete Vehicle
M Multipurpose Vehicle
N Lincoln
R Passenger Car

4th Position - RESTRAINT SYSTEM

B Active Belts
C Air Bags and Active Belts (Front)
P Passive Belts (Front)

5th Position - PASSENGER CAR IDENTIFIER

M Lincoln/Mercury Make
P Ford Make
T Import & Non Ford Built

6th & 7th Positions - BODY SERIES

CAPRI

79 2 Dr Sed Hatchback

COUGAR

92 2 Dr Sed

ESCORT

04 2 Dr Sed Hatchback Base Series
05 2 Dr Sed Hatchback GL Turbo Series
07 2 Dr Sed Hatchback GT Turbo Series
09 4 Dr S/W Base Series
10 4 Dr S/W GL Series
13 4 Dr Sed Hatchback Base Series
14 4 Dr Sed Hatchback GL Series
15 4 Dr Sed Hatchback GL Series
31 2 Dr Sed Hatchback L
32 2 Dr Sed Hatchback GL
33 2 Dr Sed Hatchback GT
34 4 Dr S/W L
35 4 Dr S/W GL
36 4 Dr Sed Hatchback L
37 4 Dr Sed Hatchback GL

EXP

01 2 Dr Hatchback Cpe

FORD

42 LTD Crown Victoria 2 Dr Sed
43 LTD Crown Victoria 4 Dr Sed
44 LTD Country Squire 4 Dr S/W

LINCOLN

96 4 Dr Sed Town Car
97 4 Dr Sed Continental

LTD

39 4 Dr Sed
40 4 Dr S/W

LYNX

51 2 Dr Sed Hatchback L
52 2 Dr Sed Hatchback GS
53 2 Dr Sed Hatchback
54 2 Dr Sed Hatchback Base
55 2 Dr Sed GS
58 4 Dr S/W L
59 4 Dr S/W GS
60 4 Dr S/W Base Series
61 4 Dr S/W GS Series
63 4 Dr Sed Hatchback L
64 4 Dr Sed Hatchback GS
65 4 Dr Sed Hatchback Base Series
66 4 Dr Sed Hatchback GS Series

MARK VII

98 2 Dr Cpe

MARQUIS

89 Brougham 4 Dr Sed
90 4 Dr S/W

Cont.

1985 FORD MOTOR CO. (Cont.)

MERCURY

93 Grand Marquis 2 Dr Sed
94 Grand Marquis Colony Park 4 Dr S/W
95 Grand Marquis 4 Dr Sed

MUSTANG

26 2 Dr Sed
27 2 Dr Sed Conv
28 2 Dr Sed Hatchback
TEMPO
18 2 Dr Sed Base Series L
19 2 Dr Sed GL Series
20 2 Dr Sed GLX, LX Series
21 4 Dr Sed Base Series L
22 4 Dr Sed GL Series
23 4 Dr Sed GLX, LX Series

TOPAZ

91 2 Dr Sed Base Series L
72 2 Dr Sed GS Series
73 2 Dr Sed LS Series
74 4 Dr Sed Base Series L
75 4 Dr Sed GS Series
76 4 Dr Sed LS Series

THUNDERBIRD

46 Base, Sport, LX, Turbo 2 Dr Sed

8th Position - ENGINE TYPE

A	4-140 (2.3)	1BC	
F	8-302 (5.0)	CFI	
G	8-351 (5.8)	2BC	HO
H	4-121 (2.0)	Dsl-FI	Toyo Kogyo
J	4-116 (1.9)	EFI	
L	6-146 (2.4)	Dsl-FI	Turbo
M	8-302 (5.0)	4BC	HO/CFI
R	4-140 (2.3)	1BC	HSC
S	4-140 (2.3)	CFI	HO - HSC
T	4-140 (2.3)	EFI	Turbo
W	4-140 (2.3)	EFI	Turbo
X	4-140 (2.3)	CFI	HSC
2	4-98 (1.6)	2BC	
3	6-232 (3.8)	CFI	
4	4-98 (1.6)	2BC	HO
5	4-98 (1.6)	EFI	
6	4-140 (2.3)	LPG	
7	4-98 (1.6)	Methanol	HO
9	4-116 (1.9)	CFI	

9th Position - CHECK DIGIT

A single number or the letter "X" used to verify the accuracy of the VIN.

10th Position - MODEL YEAR

F 1985

11th Position - ASSEMBLY PLANT**12th thru 17th Positions - SEQUENCE NUMBER**

A sequential serial number assigned by the vehicle manufacturer.

1986 FORD MOTOR CO.**1st Position - MANUFACTURER**

W Ford Werke A.G., Germany
1 Ford Motor Co, USA
2 Ford Motor Co, Canada, Ltd
9 Ford Brazil, SA

2nd Position - MAKE

B	Ford	L	Lincoln
C	Ford	M	Continental
F	Ford		Mercury
	Mercury	N	Continental

3rd Position - TYPE

A Passenger Car
D Incomplete Vehicle
E Passenger Car
F Motor Vehicle Equip w/o Engine/
Powertrain (Glider)
H Incomplete Vehicle
J Incomplete Vehicle
M Multipurpose Vehicle
N Lincoln
R Passenger Car

4th Position - RESTRAINT SYSTEM

B Active Belts
C Air Bags and Active Belts (Front)
P Passive Belts (Front)

5th Position - PASSENGER CAR IDENTIFIER

M Lincoln/Mercury Make
P Ford Make
T Import & Non Ford Built

6th & 7th Positions - BODY SERIES

CAPRI

79 2 Dr Sed Hatchback

COUGAR

92 2 Dr Sed

ESCORT

01 2 Dr Hatchback EXP
31 2 Dr Sed Hatchback L
32 2 Dr Sed Hatchback GL
33 2 Dr Sed Hatchback GT
34 4 Dr S/W L
35 4 Dr S/W GL
36 4 Dr Sed Hatchback L
37 4 Dr Sed Hatchback GL

FORD

42 LTD Crown Victoria 2 Dr Sed
43 LTD Crown Victoria 4 Dr Sed
44 LTD Country Squire 4 Dr S/W

LINCOLN

96 4 Dr Sed Town Car
97 4 Dr Sed Continental

LTD

39 4 Dr Sed
40 4 Dr S/W

LYNX

51 2 Dr Sed Hatchback L
52 2 Dr Sed Hatchback GS
53 2 Dr Sed Hatchback
58 4 Dr S/W L
59 4 Dr S/W GS
63 4 Dr Sed Hatchback L
64 4 Dr Sed Hatchback GS

MARK VII

98 2 Dr Cpe

MARQUIS

89 Brougham 4 Dr Sed
90 4 Dr S/W

MERCURY

93 Grand Marquis 2 Dr Sed
94 Grand Marquis Colony Park 4 Dr S/W
95 Grand Marquis 4 Dr Sed

MUSTANG

26 2 Dr Sed
27 2 Dr Sed Conv
28 2 Dr Sed Hatchback

SABLE

87 4 Dr Sed
88 4 Dr S/W

TAURUS

29 4 Dr Sed
30 4 Dr S/W

TEMPO

18 2 Dr Sed Base Series L
19 2 Dr Sed GL Series
20 2 Dr Sed GLX, LX Series
21 4 Dr Sed Base Series L
22 4 Dr Sed GL Series
23 4 Dr Sed GLX, LX Series

TOPAZ

91 2 Dr Sed Base Series L
72 2 Dr Sed GS Series
73 2 Dr Sed LS Series
74 4 Dr Sed Base Series L
75 4 Dr Sed GS Series
76 4 Dr Sed LS Series

THUNDERBIRD

46 Base, Sport, LX, Turbo 2 Dr Sed

8th Position - ENGINE TYPE

A	4-140 (2.3)	1BC	
D	4-153 (2.5)	EFI	
F	8-302 (5.0)	CFI	
G	8-351 (5.8)	2BC	HO
H	4-121 (2.0)	Dsl-FI	Toyo Kogyo
J	4-116 (1.9)	EFI	
M	8-302 (5.0)	CFI	HO
R	4-140 (2.3)	1BC	Canada
S	4-140 (2.3)	CFI	HO HSC
T	4-140 (2.3)	EFI	Turbo
U	6-183 (3.0)	EFI	
W	4-140 (2.3)	EFI	Turbo
X	4-140 (2.3)	CFI	HSC
3	6-232 (3.8)	CFI	
6	4-140 (2.3)	LPG	
9	4-116 (1.9)	CFI	

9th Position - CHECK DIGIT

A single number or the letter "X" used to verify the accuracy of the VIN.

10th Position - MODEL YEAR

G 1986

11th Position - ASSEMBLY PLANT**12th thru 17th Positions - SEQUENCE NUMBER**

A sequential serial number assigned by the vehicle manufacturer.

1987 FORD MOTOR CO.**1st Position - MANUFACTURER**

W Ford Werke A.G., Germany
1 Ford Motor Co, USA
2 Ford Motor Co, Canada, Ltd
9 Ford Brazil, SA

2nd Position - MAKE

B	Ford	L	Lincoln
C	Ford	M	Continental
F	Ford		Mercury
	Mercury	N	Continental

3rd Position - TYPE

A Passenger Car
D Incomplete Vehicle
E Passenger Car
F Motor Vehicle Equip w/o Engine/Powertrain
(Glider)
H Incomplete Vehicle
J Incomplete Vehicle
M Multipurpose Vehicle
N Lincoln
R Passenger Car

4th Position - RESTRAINT SYSTEM

B Active Belts
C Air Bags and Active Belts (Front)
P Passive Belts (Front)

5th Position - PASSENGER CAR IDENTIFIER

M Lincoln/Mercury Make
P Ford Make
T Import & Non Ford Built

6th & 7th Positions - BODY SERIES

COUGAR

60 LS 2 Dr Sed
62 XR7 2 Dr Sed

ESCORT

17 2 Dr Cpe EXP Luxury Cpe
18 2 Dr Cpe EXP Sport Cpe
20 2 Dr Sed Hatchback Pony
21 2 Dr Sed Hatchback GL
23 2 Dr Sed Hatchback GT
25 4 Dr Sed Hatchback GL
28 4 Dr S/W GL

FORD

70 LTD Crown Victoria 2 Dr Cpe Base
71 LTD Crown Victoria 2 Dr Cpe LX Series
72 LTD Crown Victoria 4 Dr Sed 5 Series
73 LTD Crown Victoria 4 Dr Sed Base
74 LTD Crown Victoria 4 Dr Sed LX Series
75 LTD Crown Victoria 4 Dr S/W S Series
76 LTD Crown Victoria 4 Dr S/W Base
77 LTD Crown Victoria 4 Dr S/W LX Series
78 LTD Country Squire Base
79 LTD Country Squire LX

GRAND MARQUIS

71 GS 2 Dr Sed
72 LS 2 Dr Sed
74 GS 4 Dr Sed
75 LS 4 Dr Sed
78 Colony Park 4 Dr S/W
79 Colony Park LS 4 Dr S/W

LINCOLN

81 Base 4 Dr Sed Town Car
82 Signature 4 Dr Sed Town Car
83 Cartier 4 Dr Sed Town Car
97 Base 4 Dr Sed Continental
98 Givenchy 4 Dr Sed Continental

LYNX

20 L 2 Dr Sed
21 GS 2 Dr Sed
23 XR3 2 Dr Sed
25 GS 4 Dr Sed Hatchback
28 GS 4 Dr S/W

VEHICLE IDENTIFICATION

VIN DECODING

FORD MOTOR CO.

1987 FORD MOTOR CO. (Cont.)

MARK VII

- 91 Base 2 Dr Cpe
- 92 Blass 2 Dr Cpe
- 93 LSC 2 Dr Cpe

MUSTANG

- 40 2 Dr Sed LX
- 41 2 Dr Sed Hatchback LX
- 42 2 Dr Sed Hatchback GT
- 44 2 Dr Sed Conv LX
- 45 2 Dr Sed Conv GT

SABLE

- 50 4 Dr Sed GS
- 53 4 Dr Sed LS
- 55 4 Dr S/W GS
- 58 4 Dr S/W LS

TAURUS

- 50 4 Dr Sed L
- 51 4 Dr Sed MT5
- 52 4 Dr Sed GL
- 53 4 Dr Sed LX
- 55 4 Dr S/W L
- 56 4 Dr S/W MT5
- 57 4 Dr S/W GL
- 58 4 Dr S/W LX

TEMPO

- 30 2 Dr Sed L Canada
- 31 2 Dr Sed GL
- 32 2 Dr Sed LX
- 33 2 Dr Sed Sport
- 34 2 Dr Sed All Wheel Drive
- 35 4 Dr Sed L Canada
- 36 4 Dr Sed GL
- 37 4 Dr Sed LX
- 38 4 Dr Sed Sport
- 39 4 Dr Sed All Wheel Drive

TOPAZ

- 30 2 Dr Sed L Canada
- 31 2 Dr Sed GS
- 32 2 Dr Sed LS
- 33 2 Dr Sed Sport
- 35 4 Dr Sed L Canada
- 36 4 Dr Sed GS
- 37 4 Dr Sed LS
- 38 4 Dr Sed Sport

THUNDERBIRD

- 60 2 Dr Sed Std
- 61 2 Dr Sed Sport
- 62 2 Dr Sed LX
- 64 2 Dr Sed Turbo Cpe

8th Position - ENGINE TYPE

- A 4-140 (2.3)
- D 4-153 (2.5) CFI
- E 8-302 (5.0) EFI HO Mustang
- F 8-302 (5.0) CFI
- G 8-351 (5.8) 2BC HO
- H 4-122 (2.0) Dsl Toyo Kogyo
- J 4-116 (1.9) EFI
- M 8-302 (5.0) EFI HO
- R 4-140 (2.3) 1BC
- S 4-140 (2.3) CFI HSC HO
- T 4-140 (2.3) EFI Turbo
- U 6-183 (3.0) EFI
- W 4-140 (2.3) EFI Turbo
- X 4-140 (2.3) CFI HSC
- 3 6-232 (3.8) CFI
- 4 6-232 (3.8) CFI
- 9 4-116 (1.9) CFI

9th Position - CHECK DIGIT

A single number or the letter "X" used to verify the accuracy of the VIN.

10th Position - MODEL YEAR

- H 1987

11th Position - ASSEMBLY PLANT

12th thru 17th Positions - SEQUENCE NUMBER

A sequential serial number assigned by the vehicle manufacturer.

1988 FORD MOTOR CO.

1st Position - MANUFACTURER

- K Kia Motor, Korea
- L Ford Lio Ho Mtr Co. (Taiwan) Ltd.
- 1 Ford Motor Co. USA
- 2 Ford Motor Co. Canada Ltd
- 9 Ford Brazil, SA

2nd Position - MAKE

- B Ford M Continental
- C Ford Mercury
- F Ford N Continental
- Mercury Ford
- L Lincoln

3rd Position - TYPE

- A Passenger Car
- D Incomplete Vehicle
- E Passenger Car
- F Motor Vehicle Equip w/o Engine/Powertrain (Glider)
- H Incomplete Vehicle
- J Incomplete Vehicle - Lincoln
- J Passenger Car - Continental
- J Passenger Car - Festiva
- M Multipurpose Vehicle
- N Lincoln
- R Passenger Car

4th Position - RESTRAINT SYSTEM

- B Active Belts
- C Air Bags and Active Belts (Front)
- P Passive Belts (Front)

5th Position - PASSENGER CAR IDENTIFIER

- M Lincoln/Mercury Make
- P Ford Make
- T Import & Non Ford Built

6th & 7th Positions - BODY SERIES

- COUGAR**
- 60 LS 2 Dr Sed
- 62 XR7 2 Dr Sed
- ESCORT**
- 17 2 Dr Cpe EXP Luxury Cpe
- 18 2 Dr Cpe EXP Sport Cpe
- 20 2 Dr Sed Hatchback Pony
- 21 2 Dr Sed Hatchback GL
- 23 2 Dr Sed Hatchback GT
- 25 4 Dr Sed Hatchback GL
- 28 4 Dr S/W GL
- 88 2 Dr Cpe EXP Base
- 89 2 Dr Cpe EXP Sport
- 90 2 Dr Hatchback Pony
- 91 2 Dr Hatchback LX
- 93 2 Dr Hatchback GT
- 95 4 Dr Hatchback LX
- 98 4 Dr S/W LX
- 06 2 Dr Sed Hatchback L
- 07 2 Dr Sed Hatchback LX
- FESTIVA**
- 05 2 Dr Sed Hatchback L
- 06 2 Dr Sed Hatchback GL
- 07 2 Dr Sed Hatchback LX

FORD

- 72 LTD Crown Victoria 4 Dr Sed 5 Series
- 73 LTD Crown Victoria 4 Dr Sed Base
- 74 LTD Crown Victoria 4 Dr Sed LX Series
- 75 LTD Crown Victoria 4 Dr S/W S Series
- 76 LTD Crown Victoria 4 Dr S/W Base
- 77 LTD Crown Victoria 4 Dr S/W LX Series
- 78 LTD Country Squire Base
- 79 LTD Country Squire LX

GRAND MARQUIS

- 74 GS 4 Dr Sed
- 75 LS 4 Dr Sed
- 78 Colony Park 4 Dr S/W
- 79 Colony Park LS 4 Dr S/W

LINCOLN

- 81 Base 4 Dr Sed Town Car
- 82 Signature 4 Dr Sed Town Car
- 83 Cartier 4 Dr Sed Town Car
- 97 Base 4 Dr Sed Continental
- 98 Signature 4 Dr Sed Continental

MARK VII

- 92 Blass 2 Dr Cpe
- 93 LSC 2 Dr Cpe

MUSTANG

- 40 2 Dr Sed LX
- 41 2 Dr Hatchback LX
- 42 2 Dr Hatchback GT
- 44 2 Dr Sed Conv LX
- 45 2 Dr Sed Conv GT

SABLE

- 50 4 Dr Sed GS
- 53 4 Dr Sed LS
- 55 4 Dr S/W GS
- 58 4 Dr S/W LS

TAURUS

- 50 4 Dr Sed L
- 51 4 Dr Sed MT5

- 52 4 Dr Sed GL
- 53 4 Dr Sed LX
- 55 4 Dr S/W L
- 57 4 Dr S/W GL
- 58 4 Dr S/W LX

TEMPO

- 30 2 Dr Sed L Canada
- 31 2 Dr Sed GL
- 33 2 Dr Sed Sport
- 34 2 Dr Sed All Wheel Drive
- 35 4 Dr Sed L Canada
- 36 4 Dr Sed GL
- 37 4 Dr Sed LX
- 38 4 Dr Sed Sport
- 39 4 Dr Sed All Wheel Drive

TOPAZ

- 30 2 Dr Sed L Canada
- 31 2 Dr Sed GS
- 33 2 Dr Sed Sport
- 35 4 Dr Sed L Canada
- 36 4 Dr Sed GS
- 37 4 Dr Sed LS
- 38 4 Dr Sed Sport

THUNDERBIRD

- 60 2 Dr Sed Std
- 61 2 Dr Sed Sport
- 62 2 Dr Sed LX
- 64 2 Dr Sed Turbo Cpe

TRACER

- 10 2 Dr Hatchback
- 11 2 Dr Hatchback
- 12 4 Dr Hatchback
- 13 4 Dr S/W
- 15 2 Dr Hatchback
- 16 4 Dr Hatchback

8th Position - ENGINE TYPE

- A 4-140 (2.3) MPFI
- D 4-153 (2.5) CFI
- E 8-302 (5.0) SEFI HO Mustang
- F 8-302 (5.0) SEFI
- G 8-351 (5.8) 2BC HO
- H 4.79 (1.3) EFI
- J 4-116 (1.9) EFI
- K 4-79 (1.3) 2BC
- S 4-140 (2.3) MPFI HSO
- T 4-140 (2.3) MPFI Turbo
- U 6-183 (3.0) MPFI
- X 4-140 (2.3) MPFI HSC
- 4 6-232 (3.8) MPFI
- 5 4-98 (1.6) EFI
- 9 4-116 (1.9) CFI

9th Position - CHECK DIGIT

A single number or the letter "X" used to verify the accuracy of the VIN.

10th Position - MODEL YEAR

- J 1988

11th Position - ASSEMBLY PLANT

12th thru 17th Positions - SEQUENCE NUMBER

A sequential serial number assigned by the vehicle manufacturer.

1989 FORD MOTOR CO.

1st Position - MANUFACTURER

- K Kia Motor, Korea
- L Ford Lio Ho Mtr Co. (Taiwan) Ltd.
- 1 Mazda Motor (USA)
- 1 Ford Motor Co. USA
- 2 Ford Motor Co. Canada Ltd

2nd Position - MAKE

- F Ford N Continental
- F Mercury Ford
- L Lincoln Z Ford
- M Continental
- Mercury

3rd Position - TYPE

- A Passenger Car
- D Incomplete Vehicle
- E Passenger Car
- H Incomplete Vehicle
- J Incomplete Vehicle - Lincoln
- J Passenger Car - Continental
- J Passenger Car - Festiva
- M Multipurpose Vehicle (MPV)
- N Passenger Car
- V Passenger Car - Probe

1989 FORD MOTOR CO. (Cont.)**4th Position - RESTRAINT SYSTEM**

B Active Belts
 C Air Bags and Active Belts (Front)
 P Passive Belts (Front)

5th Position - PASSENGER CAR IDENTIFIER

M Lincoln/Mercury Make
 P Ford Make
 T Import & Non Ford Built

6th & 7th Positions - BODY SERIES**COUGAR**

60 LS 2 Dr Sed
 62 XR7 2 Dr Sed

ESCORT

90 2 Dr Hatchback Pony
 91 2 Dr Hatchback LX
 93 2 Dr Hatchback GT
 95 4 Dr Hatchback LX
 98 4 Dr S/W LX
 06 2 Dr Sed Hatchback L
 07 2 Dr Sed Hatchback LX

FESTIVA

05 2 Dr Sed Hatchback L
 06 2 Dr Sed Hatchback GL
 07 2 Dr Sed Hatchback LX

FORD

73 LTD Crown Victoria 4 Dr Sed Base
 74 LTD Crown Victoria 4 Dr Sed LX Series
 76 LTD Crown Victoria 4 Dr S/W Base
 77 LTD Crown Victoria 4 Dr S/W LX Series
 78 LTD Country Squire Base
 79 LTD Country Squire LX

GRAND MARQUIS

74 GS 4 Dr Sed
 75 LS 4 Dr Sed
 78 Colony Park GS 4 Dr S/W
 79 Colony Park LS 4 Dr S/W

LINCOLN

81 Base 4 Dr Sed Town Car
 82 Signature 4 Dr Sed Town Car
 83 Cartier 4 Dr Sed Town Car
 84 Gucci 4 Dr Sed Town Car
 97 Base 4 Dr Sed Continental
 98 Signature 4 Dr Sed Continental

MARK VII

92 Blass 2 Dr Cpe
 93 LSC 2 Dr Cpe

MUSTANG

40 2 Dr Sed LX
 41 2 Dr Hatchback LX
 42 2 Dr Hatchback GT
 44 2 Dr Sed Conv LX
 45 2 Dr Sed Conv GT

PROBE

20 3 Dr Sed GL
 21 3 Dr Sed LX
 22 3 Dr Sed GT

SABLE

50 4 Dr Sed GS
 53 4 Dr Sed LS
 55 4 Dr S/W GS
 58 4 Dr S/W LS

TAURUS

50 4 Dr Sed L
 52 4 Dr Sed GL
 53 4 Dr Sed LX
 54 4 Dr Sed SHO
 55 4 Dr S/W L
 57 4 Dr S/W GL
 58 4 Dr S/W LX

TEMPO

30 2 Dr Sed L Canada
 31 2 Dr Sed GL
 33 2 Dr Sed GLS
 35 4 Dr Sed L Canada
 36 4 Dr Sed GL
 37 4 Dr Sed LX
 38 4 Dr Sed GLS
 39 4 Dr Sed All Wheel Drive
THUNDERBIRD
 60 2 Dr Sed Std
 61 2 Dr Sed Sport
 62 2 Dr Sed LX
 64 2 Dr Sed Super Coupe

TOPAZ

30 2 Dr Sed L Canada
 31 2 Dr Sed GS
 33 2 Dr Sed Sport XR5
 35 4 Dr Sed L Canada
 36 4 Dr Sed GS
 37 4 Dr Sed LS
 38 4 Dr Sed Sport LTS

TRACER

10 2 Dr Hatchback
 11 2 Dr Hatchback
 12 4 Dr Hatchback
 13 4 Dr S/W
 15 2 Dr Hatchback
 16 4 Dr Hatchback

8th Position - ENGINE TYPE

A	4-140 (2.3)	MPFI	
C	4-133 (2.2)	MPFI	
	6-232 (3.8)	SEFI	Supercharged
D	4-153 (2.5)	CFI	
E	8-302 (5.0)	SEFI	HO
F	8-302 (5.0)	SEFI	
G	8-351 (5.8)	2BC	HO
H	4-79 (1.3)	EFI	
J	4-116 (1.9)	MPFI	HO
K	4-79 (1.3)	2BC	
L	4-133 (2.2)	MPFI	Turbo
S	4-140 (2.3)	MPFI	HSO
U	6-183 (3.0)	MPFI	
X	4-140 (2.3)	MPFI	HSC
Y	6-183 (3.0)	SEFI	SHO (Yamaha)
4	6-232 (3.8)	MPFI	
9	4-116 (1.9)	CFI	

9th Position - CHECK DIGIT

A single number or the letter "X" used to verify the accuracy of the VIN.

10th Position - MODEL YEAR

K 1989

11th Position - ASSEMBLY PLANT**12th thru 17th Positions - SEQUENCE NUMBER**

A sequential serial number assigned by the vehicle manufacturer.

1990-92 FORD MOTOR CO.**1st Position - MANUFACTURER**

K Kia Motor, Korea
 L Ford Lio Ho Mtr Co. (Taiwan) Ltd.
 1 Auto Alliance Int'l Inc.
 1 Ford Motor Co. USA
 2 Ford Motor Co. Canada Ltd
 3 Ford Motor Co. S.A. (Mexico)
 6 Ford Motor Co. Australia, Ltd.
 9 Ford Motor Co. Brazil, S.A.

2nd Position - MAKE

F	Ford	N	Continental
	Mercury		Ford
L	Lincoln	Z	Ford
M	Mercury		

3rd Position - TYPE

A Passenger Car
 C Stripped Chassis
 D Incomplete Vehicle
 E Passenger Car - Mercury
 H Incomplete Vehicle - Mercury
 J Incomplete Vehicle - Lincoln
 J Passenger Car - Continental
 J Passenger Car - Festiva
 M Multipurpose Vehicle (MPV)
 N Passenger Car - Lincoln
 P Passenger Car - Capri
 V Passenger Car - Probe

4th Position - RESTRAINT SYSTEM

B Active Belts
 C Air Bags and Active Belts (Front)
 L Air Bags Driver/Passenger
 P Passive Belts (Front)

5th Position - PASSENGER CAR IDENTIFIER

M Lincoln/Mercury Make
 P Ford Make
 T Import & Non Ford Built

6th & 7th Positions - BODY SERIES**CAPRI**

01 Base 2 Dr Conv.
 03 XR2 2 Dr Conv.

COUGAR

60 LS 2 Dr Sed
 62 XR7 2 Dr Sed

ESCORT

10 2 Dr Hatchback Pony
 11 2 Dr Hatchback LX
 12 2 Dr Hatchback GT
 14 4 Dr Hatchback LX
 15 4 Dr S/W LX
 90 2 Dr Hatchback Pony
 91 2 Dr Hatchback LX
 93 2 Dr Hatchback GT
 95 4 Dr Hatchback LX
 98 4 Dr S/W LX

FESTIVA

05 2 Dr Sed Hatchback L
 06 2 Dr Sed Hatchback GL
 07 2 Dr Sed Hatchback LX

FORD

72 LTD Crown Victoria 4 Dr Sed S-Series
 73 LTD Crown Victoria 4 Dr Sed Base
 74 LTD Crown Victoria 4 Dr Sed LX Series
 76 LTD Crown Victoria 4 Dr S/W Base
 77 LTD Crown Victoria 4 Dr S/W LX Series
 78 LTD Country Squire Base
 79 LTD Country Squire LX

GRAND MARQUIS

74 GS 4 Dr Sed
 75 LS 4 Dr Sed
 78 Colony Park GS 4 Dr S/W
 79 Colony Park LS 4 Dr S/W

LINCOLN

81 Base 4 Dr Sed Town Car
 82 Signature 4 Dr Sed Town Car
 83 Cartier 4 Dr Sed Town Car
 84 Gucci 4 Dr Sed Town Car
 97 Base 4 Dr Sed Continental
 98 Signature 4 Dr Sed Continental

MARK VII

92 Blass 2 Dr Cpe
 93 LSC 2 Dr Cpe

MUSTANG

40 2 Dr Sed LX
 41 2 Dr Hatchback LX
 42 2 Dr Hatchback GT
 44 2 Dr Sed Conv LX
 45 2 Dr Sed Conv GT

PROBE

20 3 Dr Sed GL
 21 3 Dr Sed LX
 22 3 Dr Sed GT

SABLE

50 4 Dr Sed GS
 53 4 Dr Sed LS
 55 4 Dr S/W GS
 58 4 Dr S/W LS

TAURUS

50 4 Dr Sed L
 51 4 Dr Sed MT5
 52 4 Dr Sed GL
 53 4 Dr Sed LX
 54 4 Dr Sed SHO
 55 4 Dr S/W L
 57 4 Dr S/W GL
 58 4 Dr S/W LX

TEMPO

30 2 Dr Sed L Canada
 31 2 Dr Sed GL
 33 2 Dr Sed GLS
 35 4 Dr Sed L Canada
 36 4 Dr Sed GL
 37 4 Dr Sed LX
 38 4 Dr Sed GLS
 39 4 Dr Sed All Wheel Drive
THUNDERBIRD
 60 2 Dr Sed Std
 61 2 Dr Sed Sport
 62 2 Dr Sed LX
 64 2 Dr Sed Super Coupe

VEHICLE IDENTIFICATION

VIN DECODING

FORD MOTOR CO.

1990-92 FORD MOTOR CO. (Cont.)**6th & 7th Positions - BODY SERIES (Cont.)**

TOPAZ

30	2 Dr Sed L Canada
31	2 Dr Sed GS
32	2 Dr Sed LX
33	2 Dr Sed Sport XR5
34	2 Dr Sed LX-AWD Canada
35	4 Dr Sed L Canada
36	4 Dr Sed GS
37	4 Dr Sed LT
38	4 Dr Sed Sport LTS
10	4 Dr Notchback
14	4 Dr Notchback LTS
15	4 Dr S/W

TRACER

10	4 Dr Notchback
14	4 Dr Notchback LTS
15	4 Dr S/W

8th Position - ENGINE TYPE

A	4-140 (2.3)	MPFI	
C	4-133 (2.2)	MPFI	
D	4-153 (2.5)	CFI	
E	8-302 (5.0)	SEFI	HO
F	8-302 (5.0)	SEFI	
G	8-351 (5.8)	2BC	HO
H	4-81 (1.3)	EFI	
J	4-116 (1.9)	SEFI	
L	4-133 (2.2)	MPFI	Turbo
P	4-140 (2.3)	MPFI	Turbo
R	4-134 (2.2)	MPFI	Turbo
R	6-232 (3.8)	SEFI	Supercharged
S	4-140 (2.3)	MPFI	HSD
T	8-302 (5.0)	SEFI	
U	6-183 (3.0)	MPFI	
W	4-140 (2.3)	MPFI	Turbo
W	8-281 (4.6)	SEFI	SOHC
X	4-140 (2.3)	MPFI	HSC
Y	6-183 (3.0)	SEFI	SHO (Yamaha)
Z	4-98 (1.6)	MPFI	DOHC
4	6-232 (3.8)	MPFI	
5	4-98 (1.6)	EFI	
6	4-98 (1.6)	MPFI	DOHC
6	4-98 (1.6)	MPFI	Turbo
8	4-110 (1.8)	SEFI	DOHC
9	4-116 (1.9)	CFI	

9th Position - CHECK DIGIT

A single number or the letter "X" used to verify the accuracy of the VIN.

10th Position - MODEL YEAR

L	1990
M	1991
N	1992

11th Position - ASSEMBLY PLANT**12th thru 17th Positions - SEQUENCE NUMBER**

A sequential serial number assigned by the vehicle manufacturer.

1993 FORD MOTOR CO.**1st Position - MANUFACTURER**

K	Kia Motor, Korea
L	Ford Lio Ho Mtr Co. (Taiwan) Ltd.
1	Auto Alliance Int'l Inc
1	Ford Motor Co. USA
2	Ford Motor Co. Canada Ltd
3	Ford Motor Co. S.A. (Mexico)
6	Ford Motor Co. Australia Ltd.
9	Ford Motor Co. Brazil, S.A.

2nd Position - MAKE

F	Ford	N	Continental
	Mercury		Ford
L	Lincoln	Z	Ford
M	Mercury		

3rd Position - TYPE

A	Passenger Car
C	Stripped Chassis
D	Incomplete Vehicle - Ford
E	Passenger Car - Mercury
H	Incomplete Vehicle - Mercury
J	Incomplete Vehicle - Lincoln
J	Passenger Car - Continental
J	Passenger Car - Festiva
N	Passenger Car - Lincoln
P	Passenger Car - Capri
V	Passenger Car - Probe

4th Position - RESTRAINT SYSTEM

A	Active Belt (Driver) Driver Air Bag Passive Belt (Front Passenger) Active Belts (Rear)
B	Active Belts
C	Air Bags and Active Belts
D	Active Belts (Front) No Belts (Rear)
L	Active Belts - All Positions/Dual Air Bags
P	Passive Belts (Front) Active Belts (Rear)
R	Passive Belts (Front) Active Belts (Rear) Driver Air Bag
S	Passive Belts (Front) Active Belts (Rear) Dual Air Bags

5th Position - PASSENGER CAR IDENTIFIER

M	Lincoln/Mercury Make
P	Ford Make
T	Import & Non Ford Built

6th & 7th Positions - BODY SERIES

CAPRI

01	Base 2 Dr Conv.
03	XR2 2 Dr Conv.

COUGAR

62	XR7 2 Dr Sed
----	--------------

ESCORT

10	2 Dr Hatchback Pony
11	2 Dr Hatchback LX
12	2 Dr Hatchback GT
13	4 Dr Notchback LX
14	4 Dr Hatchback LX
15	4 Dr S/W LX
16	4 Dr Notchback LX-E
17	3 Dr Sport

FESTIVA

05	2 Dr Sed Hatchback L
06	2 Dr Sed Hatchback GL
07	2 Dr Sed Hatchback LX

FORD

72	Crown Victoria 4 Dr Sed S-Series
73	Crown Victoria 4 Dr Sed Base
74	Crown Victoria 4 Dr Sed LX

GRAND MARQUIS

74	GS 4 Dr Sed
75	LS 4 Dr Sed

LINCOLN

81	Base 4 Dr Sed Town Car
82	Signature 4 Dr Sed Town Car
83	Cartier 4 Dr Sed Town Car
97	Base 4 Dr Sed Continental
98	Signature 4 Dr Sed Continental

MARK VIII

91	Base 2 Dr Coupe
----	-----------------

MUSTANG

40	2 Dr Sed LX
41	2 Dr Hatchback LX
42	2 Dr Hatchback GT-Cobra
44	2 Dr Sed Conv LX
45	2 Dr Sed Conv GT

PROBE

20	3 Dr Sed Base
22	3 Dr Sed GT

SABLE

50	4 Dr Sed GS
53	4 Dr Sed LS
55	4 Dr S/W GS
58	4 Dr S/W LS

TAURUS

52	4 Dr Sed GL-Flex Fuel
53	4 Dr Sed LX
54	4 Dr Sed SHO
57	4 Dr S/W GL
58	4 Dr S/W LX

TEMPO

31	2 Dr Sed GL
36	4 Dr Sed GL
37	4 Dr Sed LX

THUNDERBIRD

62	2 Dr Sed LX
64	2 Dr Sed Super Coupe

TOPAZ

31	2 Dr Sed GS
36	4 Dr Sed GS
37	4 Dr Sed LS

TRACER

10	4 Dr Notchback
14	4 Dr Notchback LTS
15	4 Dr S/W

8th Position - ENGINE TYPE

A	4-121 (2.0)	SEFI	
B	6-152 (2.5)	SEFI	
D	8-302 (5.0)	SEFI	
E	8-302 (5.0)	SEFI	HO
H	4-81 (1.3)	MPFI	
J	4-116 (1.9)	SEFI	
M	4-140 (2.3)	MPFI	
N	6-195 (3.2)	SEFI	SHO (Yamaha)
R	6-232 (3.8)	SEFI	Supercharged
T	8-302 (5.0)	SEFI	
U	6-183 (3.0)	SEFI	
V	8-280 (4.6)	SEFI	
W	8-280 (4.6)	SEFI	
X	4-140 (2.3)	MPFI	
Y	6-183 (3.0)	SEFI	SHO (Yamaha)
Z	4-98 (1.6)	MPFI	DOHC
4	6-232 (3.8)	SEFI	
6	4-98 (1.6)	MPFI	Turbo
8	4-112 (1.8)	MF	DOHC

9th Position - CHECK DIGIT

A single number or the letter "X" used to verify the accuracy of the VIN.

10th Position - MODEL YEAR

P	1993
---	------

11th Position - ASSEMBLY PLANT**12th thru 17th Positions - SEQUENCE NUMBER**

A sequential serial number assigned by the vehicle manufacturer.

1994 FORD MOTOR CO.**1st Position - MANUFACTURER**

K	Kia Motor, Korea (Aspire)
L	Ford Lio Ho Mtr Co. (Taiwan) Ltd.
1	Auto Alliance Int'l Inc
1	Ford Motor Co. USA
2	Ford Motor Co. Canada Ltd
3	Ford Motor Co. S.A. (Mexico)
6	Ford Motor Co. Australia Ltd.
9	Ford Motor Co. Brazil, S.A.

2nd Position - MAKE

F	Ford	N	Continental
	Mercury		Ford
L	Lincoln	Z	Ford
M	Mercury		

3rd Position - TYPE

A	Passenger Car
C	Stripped Chassis
D	Incomplete Vehicle - Ford
E	Passenger Car - Mercury
H	Incomplete Vehicle - Mercury
J	Incomplete Vehicle - Lincoln
J	Passenger Car - Continental
J	Passenger Car - Aspire
N	Passenger Car - Lincoln
P	Passenger Car - Capri
V	Passenger Car - Probe

4th Position - RESTRAINT SYSTEM

A	Active Belt (Driver) Driver Air Bag Passive Belt (Front Passenger) Active Belts (Rear)
B	Active Belts
C	Air Bags and Active Belts
D	Active Belts (Front) No Belts (Rear)
L	Active Belts - All Positions/Dual Air Bags
P	Passive Belts (Front) Active Belts (Rear)
R	Passive Belts (Front) Active Belts (Rear) Driver Air Bag
S	Passive Belts (Front) Active Belts (Rear) Dual Air Bags

5th Position - PASSENGER CAR IDENTIFIER

M	Lincoln/Mercury Make
P	Ford Make
T	Import & Non Ford Built

6th & 7th Positions - BODY SERIES

ASPIRE

05	2 Dr Sed Hatchback
06	4 Dr Sed Hatchback
07	2 Dr Sed Hatchback SE

CAPRI

01	Base 2 Dr Conv.
03	XR2 2 Dr Conv.

Cont.

1994 FORD MOTOR CO. (Cont.)**6th & 7th Positions - BODY SERIES (Cont.)**

COUGAR

62 XR7 2 Dr Sed

ESCORT

10 2 Dr Hatchback Pony

11 2 Dr Hatchback LX

12 2 Dr Hatchback GT

13 4 Dr Notchback LX

14 4 Dr Hatchback LX

15 4 Dr S/W LX

16 4 Dr Notchback LX-E

FORD

72 Crown Victoria 4 Dr Sed S-Series

73 Crown Victoria 4 Dr Sed Base

GRAND MARQUIS

74 GS 4 Dr Sed

75 LS 4 Dr Sed

LINCOLN

81 Base 4 Dr Sed Town Car

82 Signature 4 Dr Sed Town Car

83 Cartier 4 Dr Sed Town Car

97 Base 4 Dr Sed Continental

98 Signature 4 Dr Sed Continental

MARK VIII

91 Base 2 Dr Coupe

MUSTANG

40 2 Dr Sed LX

42 2 Dr Hatchback GT-Cobra

44 2 Dr Sed Conv LX

45 2 Dr Sed Conv GT

PROBE

20 3 Dr Sed Base

21 3 Dr Sed LX

22 3 Dr Sed GT

SABLE

50 4 Dr Sed GS

53 4 Dr Sed LS

55 4 Dr S/W GS

58 4 Dr S/W LS

TAURUS

52 4 Dr Sed GL-Flex Fuel

53 4 Dr Sed LX

54 4 Dr Sed SHO

57 4 Dr S/W GL

58 4 Dr S/W LX

TEMPO

31 2 Dr Sed GL

36 4 Dr Sed GL

37 4 Dr Sed LX

THUNDERBIRD

62 2 Dr Sed LX

64 2 Dr Sed Super Coupe

TOPAZ

31 2 Dr Sed GS

36 4 Dr Sed GS

37 4 Dr Sed LS

TRACER

10 4 Dr Notchback

14 4 Dr Notchback LTS

15 4 Dr S/W

8th Position - ENGINE TYPE

A 4-121 (2.0) SEFI
 B 6-152 (2.5) SEFI
 D 8-302 (5.0) SEFI
 E 8-302 (5.0) SEFI HO
 H 4-81 (1.3) MPFI
 J 4-116 (1.9) SEFI
 K 4-116 (1.9) SEFI
 P 6-195 (3.2) SEFI DOHC
 R 6-232 (3.8) SEFI Supercharged
 T 8-302 (5.0) SEFI
 U 6-183 (3.0) SEFI
 V 8-280 (4.6) SEFI
 W 8-280 (4.6) SEFI
 X 4-140 (2.3) MPFI
 Y 6-183 (3.0) SEFI SHO (Yamaha)
 Z 4-98 (1.6) MPFI DOHC
 1 6-183 (3.0) SEFI
 4 6-232 (3.8) SEFI
 6 4-98 (1.6) MPFI Turbo
 8 4-112 (1.8) MPFI DOHC

9th Position - CHECK DIGIT

A single number or the letter "X" used to verify the accuracy of the VIN.

10th Position - MODEL YEAR

R 1994

11th Position - ASSEMBLY PLANT**12th thru 17th Positions - SEQUENCE NUMBER**

A sequential serial number assigned by the vehicle manufacturer.

1995 FORD MOTOR CO.**1st Position - MANUFACTURER**

K Kia Motor, Korea (Aspire)
 L Ford Lio Ho Mtr Co. (Taiwan) Ltd.
 1 Auto Alliance Int'l Inc
 1 Ford Motor Co. USA
 2 Ford Motor Co. Canada Ltd
 3 Ford Motor Co. S.A. (Mexico)
 6 Ford Motor Co. Australia Ltd.
 9 Ford Motor Co. Brazil, S.A.

2nd Position - MAKE

F	Ford	N	Continental
	Mercury		Ford
L	Lincoln	Z	Ford
M	Mercury		

3rd Position - TYPE

A Passenger Car
 C Stripped Chassis
 D Incomplete Vehicle - Ford
 E Passenger Car - Mercury
 H Incomplete Vehicle - Mercury
 J Incomplete Vehicle - Lincoln
 J Passenger Car - Continental
 J Passenger Car - Aspire
 N Passenger Car - Lincoln
 P Passenger Car - Capri
 V Passenger Car - Probe

4th Position - RESTRAINT SYSTEM

A Active Belt (Driver) Driver Air Bag
 Passive Belt (Front Passenger)
 Active Belts (Rear)
 B Active Belts
 C Air Bags and Active Belts
 D Active Belts (Front) No Belts (Rear)
 L Active Belts - All Positions/Dual Air Bags
 P Passive Belts (Front) Active Belts (Rear)
 R Passive Belts (Front) Active Belts (Rear)
 Driver Air Bag
 S Passive Belts (Front) Active Belts (Rear)
 Dual Air Bags

5th Position - PASSENGER CAR IDENTIFIER

M Lincoln/Mercury Make
 P Ford Make
 T Import & Non Ford Built

6th & 7th Positions - BODY SERIES

ASPIRE

05 2 Dr Sed Hatchback
 06 4 Dr Sed Hatchback
 07 2 Dr Sed Hatchback SE

CONTINENTAL

97 4 Dr Sed
 98 4 Dr Sed Signature

CONTOUR

65 4 Dr Sed GL
 66 4 Dr Sed LX
 67 4 Dr Sed SE

COUGAR

62 2 Dr Sed XR7

CROWN VICTORIA

72 4 Dr Sed S
 73 4 Dr Sed
 74 4 Dr Sed LX

ESCORT

10 2 Dr Sed Hatchback
 11 2 Dr Sed Hatchback LX
 12 2 Dr Sed Hatchback GT
 13 4 Dr Sed Notchback LX
 14 4 Dr Sed Hatchback LX
 15 4 Dr S/W LX

GRAND MARQUIS

74 4 Dr Sed GS
 75 4 Dr Sed LS

MARK VIII

91 2 Dr Cpe

MUSTANG

40 2 Dr Sed LX
 44 2 Dr Sed Conv LX
 45 2 Dr Sed Conv Cobra GT

MYSTIQUE

65 4 Dr Sed GS

66 4 Dr Sed LS

PROBE

20 3 Dr Sed Hatchback
 22 3 Dr Sed Hatchback GT

SABLE

50 4 Dr Sed GS
 53 4 Dr Sed LS
 55 4 Dr S/W GS
 58 4 Dr S/W LS

TAURUS

52 4 Dr Sed GL Flex Fuel
 53 4 Dr Sed LX
 54 4 Dr Sed SHO
 57 4 Dr S/W GL
 58 4 Dr S/W LX

THUNDERBIRD

62 2 Dr Sed LX
 64 2 Dr Sed Super Coupe

TOWN CAR

81 4 Dr Sed Executive
 82 4 Dr Sed Signature
 83 4 Dr Sed Cartier

TRACER

10 4 Dr Sed Notchback
 14 4 Dr Notchback LTS
 15 4 Dr S/W

8th Position - ENGINE TYPE

A 4-122 (2.0) MPFI
 B 6-152 (2.5) MPFI
 D 8-302 (5.0) MPFI
 H 4-81 (1.3) MPFI
 J 4-116 (1.9) SEFI
 K 4-116 (1.9) SEFI HO
 L 6-153 (2.5) MPFI
 P 6-195 (3.2) MPFI SHO DOHC
 R 6-232 (3.8) MPFI Super Coupe
 T 8-302 (5.0) MPFI OHV
 U 6-183 (3.0) MPFI
 V 8-280 (4.6) MPFI DOHC
 W 8-280 (4.6) MPFI SOHC
 X 4-141 (2.3) MPFI OHV
 Y 6-183 (3.0) MPFI SHO DOHC
 1 6-182 (3.0) MPFI Flex Fuel
 3 4-122 (2.0) MPFI
 4 6-232 (3.8) MPFI
 8 4-112 (1.8) MPFI DOHC

9th Position - CHECK DIGIT

A single number or the letter "X" used to verify the accuracy of the VIN.

10th Position - MODEL YEAR

S 1995

11th Position - ASSEMBLY PLANT**12th thru 17th Positions - SEQUENCE NUMBER**

A sequential serial number assigned by the vehicle manufacturer.

1996 FORD MOTOR CO.**1st Position - MANUFACTURER**

J Mazda Mtr Corp. Japan
 K Kia Motor, Korea (Aspire)
 L Ford Lio Ho Mtr Co. (Taiwan) Ltd.
 1 Auto Alliance Int'l Inc
 1 Ford Motor Co. USA
 2 Ford Motor Co. Canada Ltd
 3 Ford Motor Co. S.A. (Mexico)
 4 Ford Motor Co. USA
 6 Ford Motor Co. Australia Ltd.
 9 Ford Motor Co. Brazil, S.A.

2nd Position - MAKE

C	Ford	M	Mercury
F	Ford	N	Continental
	Mercury		Ford
L	Lincoln	Z	Ford

3rd Position - TYPE

A Passenger Car
 C Stripped Chassis
 D Incomplete Vehicle - Ford
 E Passenger Car - Mercury
 H Incomplete Vehicle - Mercury
 J Incomplete Vehicle - Lincoln
 J Passenger Car - Continental
 J Passenger Car - Aspire
 N Passenger Car - Lincoln
 P Passenger Car - Capri
 V Passenger Car - Probe

Cont.

VEHICLE IDENTIFICATION

VIN DECODING

FORD MOTOR CO.

1996 FORD MOTOR CO. (Cont.)**4th Position - RESTRAINT SYSTEM**

A Active Belt (Driver) Driver Air Bag
Passive Belt (Front Passenger)
Active Belts (Rear)
B Active Belts
C Air Bags and Active Belts
D Active Belts (Front) No Belts (Rear)
L Active Belts - All Positions/Dual Air Bags
P Passive Belts (Front) Active Belts (Rear)
R Passive Belts (Front) Active Belts (Rear)
Driver Air Bag
S Passive Belts (Front) Active Belts (Rear)
Dual Air Bags

5th Position - PASSENGER CAR IDENTIFIER

M Lincoln/Mercury Make
P Ford Make
T Import & Non Ford Built

6th & 7th Positions - BODY SERIES**ASPIRE**

05 2 Dr Sed Hatchback
06 4 Dr Sed Hatchback

CONTINENTAL

97 4 Dr Sed

CONTOUR

65 4 Dr Sed GL
66 4 Dr Sed LX
67 4 Dr Sed SE

COUGAR

62 2 Dr Sed XR7

CROWN VICTORIA

72 4 Dr Sed S
73 4 Dr Sed
74 4 Dr Sed LX

ESCORT

10 2 Dr Sed Hatchback
11 2 Dr Sed Hatchback LX
12 2 Dr Sed Hatchback GT
13 4 Dr Sed Notchback LX
14 4 Dr Sed Hatchback LX
15 4 Dr S/W LX

GRAND MARQUIS

74 4 Dr Sed GS
75 4 Dr Sed LS

MARK VIII

91 2 Dr Cpe

MUSTANG

40 2 Dr Cpe
42 2 Dr Cpe - GT
44 2 Dr Conv
45 2 Dr Conv GT
46 2 Dr Conv Cobra
47 2 Dr Cpe Cobra

MYSTIQUE

65 4 Dr Sed GS
66 4 Dr Sed LS

PROBE

20 3 Dr Sed Hatchback
22 3 Dr Sed Hatchback GT

SABLE

50 4 Dr Sed GS
51 4 Dr Sed G
53 4 Dr Sed LS, LTS
55 4 Dr S/W GS
58 4 Dr S/W LS

TAURUS

51 4 Dr Sed G
52 4 Dr Sed GL Flex Fuel
53 4 Dr Sed LX
54 4 Dr Sed SHO
57 4 Dr S/W GL
58 4 Dr S/W LX

THUNDERBIRD

62 2 Dr Sed LX

TOWN CAR

81 4 Dr Sed Executive
82 4 Dr Sed Signature
83 4 Dr Sed Cartier

TRACER

10 4 Dr Sed Notchback
14 4 Dr Notchback LTS
15 4 Dr S/W

8th Position - ENGINE TYPE

A 4-122 (2.0) MPFI
B 6-152 (2.5) MPFI
C 8-351 (5.8) MPFI

J 4-113 (1.9) SEFI
L 6-155 (2.5) MPFI
N 8-209 (3.4) MPFI SHO
S 6-182 (3.0) MPFI
U 6-183 (3.0) MPFI
V 8-280 (4.6) MPFI DOHC
W 8-280 (4.6) MPFI SOHC
X 8-281 (4.6) MPFI SOHC
Z 4-121 (2.0) MPFI CNG
1 6-182 (3.0) MPFI Flex Fuel Methanol
2 6-182 (3.0) MPFI Flex Fuel Ethanol
3 4-122 (2.0) MPFI
4 6-232 (3.8) MPFI
6 8-281 (4.6) MPFI SOHC
8 4-112 (1.8) MPFI DOHC
9 8-281 (4.6) MPFI CNG

9th Position - CHECK DIGIT

A single number or the letter "X" used to verify the accuracy of the VIN.

10th Position - MODEL YEAR

T 1996

11th Position - ASSEMBLY PLANT**12th thru 17th Positions - SEQUENCE NUMBER**

A sequential serial number assigned by the vehicle manufacturer.

1997 FORD MOTOR CO.**1st Position - MANUFACTURER**

J Mazda Mtr Corp. Japan
K Kia Motor, Korea (Aspire)
L Ford Lio Ho Mtr Co. (Taiwan) Ltd.
1 Auto Alliance Int'l Inc
1 Ford Motor Co. USA
2 Ford Motor Co. Canada Ltd
3 Ford Motor Co. S.A. (Mexico)
4 Ford Motor Co. USA
6 Ford Motor Co. Australia Ltd.
9 Ford Motor Co. Brazil, S.A.

2nd Position - MAKE

C Ford M Mercury
F Ford N Continental
Mercury Ford
L Lincoln Z Ford

3rd Position - TYPE

A Passenger Car
C Stripped Chassis
D Incomplete Vehicle - Ford
E Passenger Car - Mercury
H Incomplete Vehicle - Mercury
J Incomplete Vehicle - Lincoln
J Passenger Car - Continental
J Passenger Car - Aspire
N Passenger Car - Lincoln
P Passenger Car - Capri
V Passenger Car - Probe

4th Position - RESTRAINT SYSTEM

A Active Belt (Driver) Driver Air Bag
Passive Belt (Front Passenger)
Active Belts (Rear)
B Active Belts
C Air Bags and Active Belts
D Active Belts (Front) No Belts (Rear)
L Active Belts - All Positions/Dual Air Bags
P Passive Belts (Front) Active Belts (Rear)
R Passive Belts (Front) Active Belts (Rear)
Driver Air Bag
S Passive Belts (Front) Active Belts (Rear)
Dual Air Bags

5th Position - PASSENGER CAR IDENTIFIER

M Lincoln/Mercury Make
P Ford Make
T Import & Non Ford Built

6th & 7th Positions - BODY SERIES**ASPIRE**

05 2 Dr Sed Hatchback
06 4 Dr Sed Hatchback

CONTINENTAL

97 4 Dr Sed

CONTOUR

65 4 Dr Sed GL
66 4 Dr Sed LX
67 4 Dr Sed SE

COUGAR

62 2 Dr Sed XR7

CROWN VICTORIA

72 4 Dr Sed S
73 4 Dr Sed
74 4 Dr Sed LX

ESCORT

10 4 Dr Sed
13 4 Dr Sed LX
15 4 Dr S/W LX

GRAND MARQUIS

74 4 Dr Sed GS
75 4 Dr Sed LS

MARK VIII

91 2 Dr Sed
92 2 Dr Sed LSC

MUSTANG

40 2 Dr Cpe
42 2 Dr Cpe - GT
44 2 Dr Conv
45 2 Dr Conv GT
46 2 Dr Conv Cobra
47 2 Dr Cpe Cobra

MYSTIQUE

65 4 Dr Sed GS
66 4 Dr Sed LS

PROBE

20 3 Dr Sed Hatchback
22 3 Dr Sed Hatchback GT

SABLE

50 4 Dr Sed GS
51 4 Dr Sed G
53 4 Dr Sed LS, LTS
55 4 Dr S/W GS
58 4 Dr S/W LS

TAURUS

51 4 Dr Sed G
52 4 Dr Sed GL Flex Fuel
53 4 Dr Sed LX
54 4 Dr Sed SHO
57 4 Dr S/W GL
58 4 Dr S/W LX

THUNDERBIRD

62 2 Dr Sed LX, SVT

TOWN CAR

81 4 Dr Sed Executive
82 4 Dr Sed Signature
83 4 Dr Sed Cartier

TRACER

10 4 Dr Sed GS
13 4 Dr Sed LS
15 4 Dr S/W

8th Position - ENGINE TYPE

A 4-122 (2.0) MPFI
B 6-152 (2.5) MPFI
C 8-351 (5.8) MPFI
J 4-113 (1.9) SEFI
L 6-155 (2.5) MPFI
N 8-209 (3.4) MPFI SHO
P 4-122 (2.0) MPFI
S 6-182 (3.0) MPFI
U 6-183 (3.0) MPFI
V 8-280 (4.6) MPFI DOHC
W 8-280 (4.6) MPFI SOHC
X 8-281 (4.6) MPFI SOHC
Z 4-121 (2.0) MPFI CNG
1 6-182 (3.0) MPFI Flex Fuel Methanol
2 6-182 (3.0) MPFI Flex Fuel Ethanol
3 4-122 (2.0) MPFI
4 6-232 (3.8) MPFI
6 8-281 (4.6) MPFI SOHC
8 4-112 (1.8) MPFI DOHC
9 8-281 (4.6) MPFI CNG

9th Position - CHECK DIGIT

A single number or the letter "X" used to verify the accuracy of the VIN.

10th Position - MODEL YEAR

V 1997

11th Position - ASSEMBLY PLANT**12th thru 17th Positions - SEQUENCE NUMBER**

A sequential serial number assigned by the vehicle manufacturer.

Cont.

1998 FORD MOTOR CO.**1st Position - MANUFACTURER**

J Mazda Mtr Corp. Japan
 1 Auto Alliance Int'l Inc
 1 Ford Motor Co. USA
 2 Ford Motor Co. Canada Ltd
 3 Ford Motor Co. S.A. (Mexico)

2nd Position - MAKE

F Ford M Mercury
 L Lincoln

3rd Position - TYPE

A Passenger Car
 E Passenger Car - Mercury
 H Incomplete Vehicle - Mercury
 J Incomplete Vehicle - Lincoln
 1 Passenger Car - Lincoln (Limousine)

4th Position - RESTRAINT SYSTEM

B Active Belts
 C Air Bags and Active Belts
 D Active Belts (Front) No Belts (Rear)
 L Active Belts - All Positions/Dual Air Bags

5th Position - PASSENGER CAR IDENTIFIER

M Lincoln/Mercury Make
 P Ford Make

6th & 7th Positions - BODY SERIES**CONTINENTAL**

97 4 Dr Sed

CONTOUR

65 4 Dr Sed
 66 4 Dr Sed LX/SE
 67 4 Dr Sed SE
 68 4 Dr Sed SVT

CROWN VICTORIA

72 4 Dr Sed S
 73 4 Dr Sed
 74 4 Dr Sed LX

ESCORT

10 4 Dr Sed LX
 11 2 Dr Cpe ZX2
 13 4 Dr Sed SE
 15 4 Dr S/W SE

GRAND MARQUIS

74 4 Dr Sed GS
 75 4 Dr Sed LS

MARK VIII

91 2 Dr Sed
 92 2 Dr Sed LSC

MUSTANG

40 2 Dr Cpe
 42 2 Dr Cpe - GT
 44 2 Dr Conv
 45 2 Dr Conv GT
 46 2 Dr Conv Cobra
 47 2 Dr Cpe Cobra

MYSTIQUE

65 4 Dr Sed GS
 66 4 Dr Sed LS

SABLE

50 4 Dr Sed GS/LS
 53 4 Dr Sed LS
 55 4 Dr S/W LS
 58 4 Dr S/W LS

TAURUS

52 4 Dr Sed Flex Fuel
 53 4 Dr Sed SE
 54 4 Dr Sed SHO
 57 4 Dr S/W SE
 58 4 Dr S/W SE

TOWN CAR

81 4 Dr Sed Executive
 82 4 Dr Sed Signature
 83 4 Dr Sed Cartier

TRACER

10 4 Dr Sed GS
 13 4 Dr Sed LS
 15 4 Dr S/W

8th Position - ENGINE TYPE

G 6-155 (2.5) MPFI SVT
 L 6-155 (2.5) MPFI
 N 8-207 (3.4) MPFI SHO
 P 4-122 (2.0) MPFI SOHC
 S 6-182 (3.0) MPFI Modular
 U 6-182 (3.0) MPFI Vulcan
 V 8-281 (4.6) MPFI DOHC

W 8-281 (4.6) MPFI SOHC
 X 8-281 (4.6) MPFI SOHC GT
 Z 4-121 (2.0) MPFI
 1 6-182 (3.0) MPFI Flex Fuel Methanol
 2 6-182 (3.0) MPFI Flex Fuel Ethanol
 3 4-121 (2.0) MPFI
 4 6-232 (3.8) MPFI
 9 8-281 (4.6) MPFI CNG

9th Position - CHECK DIGIT

A single number or the letter "X" used to verify the accuracy of the VIN.

10th Position - MODEL YEAR

W 1998

11th Position - ASSEMBLY PLANT**12th thru 17th Positions - SEQUENCE NUMBER**

A sequential serial number assigned by the vehicle manufacturer.

1999-2003 FORD MOTOR CO.**1st Position - MANUFACTURER**

1 USA
 2 Canada
 3 Mexico
 4 USA
 5 USA
 6 Australia
 J Japan
 K Korea
 L Taiwan
 W Germany

2nd Position - MAKE

C Mazda
 F Ford
 L Lincoln
 M Mercury
 N Nissan
 Kia
 Z Ford
 Mazda
 Mercury

3rd Position - TYPE

A Passenger Car
 E Passenger Car - Mercury
 H Incomplete Vehicle - Mercury
 J Incomplete Vehicle - Lincoln
 N Passenger Car - Lincoln
 V Passenger Mazda/Probe
 W Passenger Cougar
 1 Passenger Car - Lincoln (Limousine)

4th Position - RESTRAINT SYSTEM

A Driver Air Bag; Driver Manual Belt
 Passenger Automatic Belt
 B Manual Belts
 C Driver Air Bag, Manual Belts
 D Manual Front Belts, No Rear Belts
 E Dual Front, Front Side Air Bags;
 Manual Belts
 F Dual Front Air Bags; Manual Belts
 H Dual Front, Front Side Air Bags;
 Manual Belts
 K Dual Front Air Bags; Manual Belts
 L Dual Front Air Bags; Manual Belts
 N Dual Front Air Bags; Manual Belts
 P Manual Front Belts; Automatic Rear Belts
 Automatic Front Belts
 R Driver Air Bag, Automatic Front Belts,
 Manual Rear Belts
 R Dual Front Air Bags, Automatic Front Belts,
 Manual Rear Belts
 S Dual Front Air Bags, Automatic Front Belts,
 Manual Rear Belts
 T Dual Front Air Bags, Manual Belts
 U Dual Front Air Bags, Manual Belts
 V Dual Front Air Bags, Manual Belts
 W Dual Front Air Bags, Manual Belts
 X Dual Front Air Bags, Manual Belts
 Y Dual Front Air Bags, Manual Belts
 Z Dual Front Air Bags, Manual Belts

5th Position - PASSENGER CAR IDENTIFIER

M Lincoln/Mercury Make
 P Ford Make
 T Imported or Non Ford Built

6th & 7th Positions - BODY SERIES**CONTINENTAL**

97 4 Dr Sed

98 4 Dr Sed Signature Series

CONTOUR

65 4 Dr Sed LX
 66 4 Dr Sed SE
 67 4 Dr Sed SE
 68 4 Dr Sed SVT

COUGAR

60 2 Dr HB
 61 2 Dr HB

CROWN VICTORIA

72 4 Dr Sed S
 73 4 Dr Sed
 74 4 Dr Sed LX
 75 4 Dr Sed/Wgn

ESCORT

10 4 Dr Sed LX
 11 2 Dr Cpe ZX2
 13 4 Dr Sed SE
 15 4 Dr S/W SE

FOCUS

30 2 Dr Cpe
 31 2 Dr Cpe ZX3
 33 4 Dr Sed LX
 34 4 Dr Sed SE
 36 4 Dr Wgn SE
 37 4 Dr HB ZX5
 38 4 Dr Sed ZTS
 39 2 Dr HB SVT

GRAND MARQUIS

74 4 Dr Sed GS
 75 4 Dr Sed LS
 78 4 Dr Wgn GS
 79 4 Dr Wgn LS

MARAUDER

75 4 Dr Sed

MUSTANG

40 2 Dr Cpe
 42 2 Dr Cpe - GT
 44 2 Dr Conv
 45 2 Dr Conv GT
 46 2 Dr Conv Cobra
 47 2 Dr Cpe Cobra
 48 2 Dr Cpe Cobra
 49 2 Dr Conv Cobra

86 4 Dr Sed 6 Cyl
 87 4 Dr Sed 8 Cyl

MYSTIQUE

65 4 Dr Sed GS
 66 4 Dr Sed LS

SABLE

50 4 Dr Sed GS/LS
 51 4 Dr Sed G
 53 4 Dr Sed LS
 55 4 Dr Sed LS
 58 4 Dr S/W LS
 59 4 Dr S/W LS

TAURUS

50 4 Dr Sed L
 51 4 Dr Sed G/MT5
 52 4 Dr Sed LX
 53 4 Dr Sed SE
 54 4 Dr Sed SHO
 55 4 Dr Sed SE SVG
 56 4 Dr Sed SE
 58 4 Dr S/W SE
 59 4dr S/W SE

TOWN CAR

81 4 Dr Sed Executive
 82 4 Dr Sed Signature
 83 4 Dr Sed Cartier
 84 4 Dr Sed Long WB
 85 4 Dr Sed Long WB

TRACER

10 4 Dr Sed GS
 13 4 Dr Sed LS
 15 4 Dr S/W

THUNDERBIRD

60 2 Dr Conv
 64 2 Dr Conv Feature Car
 ZX2
 11 2 Dr Cpe

VEHICLE IDENTIFICATION

VIN DECODING

FORD MOTOR CO.

**1999-2003 FORD MOTOR CO.
(Cont.)**

8th Position - ENGINE TYPE

A	8-238 (3.9)	MPFI	DOHC	
G	6-155 (2.5)	MPFI	DOHC	
H	8-281 (4.6)	MPFI	SOHC	
L	6-155 (2.5)	MPFI	DOHC	
N	4-122 (2.0)	MPFI	DOHC	
N	8-207 (3.4)	MPFI	SHO	
P	4-122 (2.0)	MPFI	SOHC	
R	8-281 (4.6)	MPFI	DOHC	
S	6-182 (3.0)	MPFI	DOHC	
U	6-182 (3.0)	MPFI	GHV	
V	8-281 (4.6)	MPFI	DOHC	
W	8-281 (4.6)	MPFI	SOHC	
X	8-281 (4.6)	MPFI	SOHC	
Y	8-281 (4.6)	MPFI	DOHC	Supercharger
Z	4-121 (2.0)	MPFI	DOHC	
Z	4-140 (2.3)	MPFI	DOHC	
V	4-140 (2.3)	MPFI	DOHC	
1	6-182 (3.0)	MPFI	Flex Fuel Methanol	
2	6-182 (3.0)	MPFI	Flex Fuel Ethanol	
3	4-121 (2.0)	MPFI		
4	6-232 (3.8)	MPFI		
5	4-122 (2.0)	MPFI	DOHC	
9	8-281 (4.6)	MPFI	CNG	

9th Position - CHECK DIGIT

A single number or the letter "X" used to verify the accuracy of the VIN.

10th Position - MODEL YEAR

11th Position - ASSEMBLY PLANT

12th thru 17th Positions - SEQUENCE NUMBER
A sequential serial number assigned by the vehicle manufacturer.

2004-2007 FORD MOTOR CO.

1st thru 3rd Position - WORLD MANUFACTURER IDENTIFIER (WMI)

1FA	Ford Motor Company, USA, Passenger Car
1ME	Mercury, USA Passenger Car
1ZV	Ford, USA, Passenger Car
1LN	Ford Motor Company - Lincoln, USA, Passenger Car
1LJ	Lincoln, USA, Incomplete Vehicle, Hearse
1L1	Lincoln, USA Limousine
2FA	Ford, Canada, Passenger Car
2FD	Ford, Canada, Passenger Car, Incomplete Vehicle
2ME	Mercury, Canada, Passenger Car
2MH	Mercury, Canada, Passenger Car, Incomplete Vehicle
3FA	Ford Motor Company, Mexico, Passenger Car
3ME	Mercury, Mexico, Passenger Car
3LN	Lincoln, Mexico, Passenger Car

4th Position - RESTRAINT TYPE CODE

B	Active Safety Belts - All positions less driver & front passenger air bags
F	Active Safety Belts - Dual Front Air Bags
H	Active Safety Belts - Dual Front Air Bags Front Side Air Bags

5th thru 7th Position - VEHICLE LINE, SERIES &/OR BODY TYPE

CROWN VICTORIA	
P70	Long Wheel Base
P71	Police Interceptor
P72	Base Fleet Vehicle
P73	4 Dr Base
P74	4 Dr LX
FIVE HUNDRED	
P23	FWD, SE
P24	FWD, SEL
P25	FWD, Limited
P26	AWD, SE
P27	AWD, SEL
P28	AWD, Limited
FOCUS	
P30	5 Dr Sedan SVT
P31	3 Dr Sedan ZX3
P33	4 Dr Sedan LX
P34	4 Dr Sedan SE
P34	4 Dr Sedan ZX4
P35	4 Dr Station Wagon ZTW
P36	5 Dr Station Wagon SE or ZXW
P37	5 Dr Sedan ZX5

P38	4 Dr Sedan ZTS
P38	4 Dr Sedan ST
P39	3 Dr Sedan ZX3
FUSION	
P01	4 Dr Sedan AWD SE
P02	4 Dr Sedan AWD SEL
P06	4 Dr Sedan S
P07	4 Dr Sedan SE
P08	4 Dr Sedan SEL
GRAND MARQUIS	
M70	Long Wheel Base
M74	4 Dr GS
M75	4 Dr LS
GT	
P90	2 Dr Coupe
LS	
M86	Lincoln LS V6
M87	Lincoln LS V8
MARAUDER	
M79	4 Dr
MILAN	
M01	AWD
M02	Premier AWD
M07	Luxury
M08	Premier
MONTEGO	
M40	FWD, Luxury
M41	AWD, Luxury
M42	FWD, Premier
M43	AWD, Premier
MKZ	
M26	Premier
M28	AWD
MUSTANG	
P40	2 Dr Cpe
P42	2 Dr Cpe, GT (Mach One available in GT Cpe only)
P44	2 Dr Conv
P45	2 Dr Conv, GT
P48	2 Dr Cpe, Cobra
P49	2 Dr Conv, Cobra
T80	2Dr Cpe, Base (05-07)
T82	2Dr Cpe, GT (05-07)
T84	2Dr Conv, Base (05-06)
T85	2Dr Conv, GT (05-06)
T88	2 Dr Cpe, Shelby (07)
T89	2 Dr Conv, Shelby (07)
SABLE	
M50	4 Dr GS
M53	4 Dr LS
M55	4 Dr LS Premium
M58	GS, Station Wagon
M59	LS Premium, Station Wagon
TAURUS	
P52	4 Dr LX
P53	4 Dr SE
P55	4 Dr Special Value Group
P56	4 Dr SE-Comfort Group (04) 4 Dr SEL (05-07)
P58	SE, Station Wagon
P59	SE-Comfort, Station Wagon (04) Station Wagon, SEL (05-06)
THUNDERBIRD	
P60	2 Dr Conv
P63	2 Dr Conv, Pacific Coast Roadster
P69	2 Dr Conv, 50th Anniversary Edition
TOWN CAR	
M81	Executive Series (04-05) Signature Series (06-07)
M82	Signature Series (04-05) Signature Series Limited (06-07)
M83	Ultimate Series (04-05) Signature Designer Series (06-07)
M84	Executive Series (Long Wheel Base) (04-07)
M85	Ultimate Series (Long Wheel Base) (04-05) Signature Series (Long Wheel Base) (06-07)
M88	Executive Series (Fleet)
M89	Executive Protection Series (04-05) Ballistic Protection Series (06)
ZEPHYR	
M26	4 Dr Sedan

8th Position - ENGINE TYPE

A	3.9 L	DOHC	EFI	V8
H	4.6 L	OHC	EFI	8 Cyl
N	4.0 L	SOHC	EFI	6 Cyl (05-07 Mustang)
N	2.0 L	DOHC	DURATEC	4 Cyl (Focus)
P	2.0L	SOHC	SPI	4 Cyl
R	4.6 L	DOHC	EFI	6 Cyl (Mach One)
S	3.0 L	DOHC	EFI	6 Cyl (Sable)
S	5.4 L	DOHC	EFI	S/C Alum.V8 (GT), (Shelby, GT500)
T	3.5 L	DOHC	EFI	V6
U	3.0 L	OHV	Vulcan	EFI 6 Cyl
V	4.6 L	DOHC	EFI	8 Cyl Marauder
V	4.6 L	SOHC	EFI	8 Cyl Flex Fuel (Crown Victoria, Grand Marquis)
W	4.6 L	SOHC	EFI	8 Cyl Gas
X	4.6 L	SOHC	S/C	EFI 8 Cyl
Y	4.6 L	DOHC	EFI	8 Cyl (Cobra)
Z	2.3 L (4V)	DOHC	EFI	4 Cyl
1	3.0 L (4V)		EFI	V6
2	3.0 L	OHV	Vulcan	EFI 6 Cyl Flex Fuel
3	2.0 L	DOHC	ZETEC	4 Cyl
4	3.8 L	OHV		EFI 6 Cyl
5	2.0 L	SVT	ZETEC	4 Cyl
9	4.6 L	SOHC	EFI	8 Cyl (NGV)

9th Position - CHECK DIGIT

A single number or the letter "X" used to verify the accuracy of the VIN.

10th Position - MODEL YEAR

4	- 2004	6	- 2006
5	- 2005	7	- 2007

11th Position - ASSEMBLY PLANT

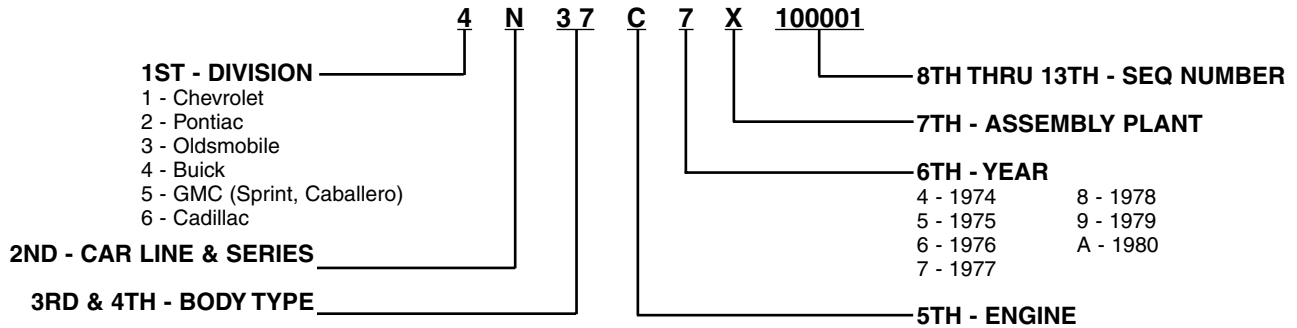
12th thru 17th Positions - SEQUENCE NUMBER

**GENERAL MOTORS
EXC SPECTRUM, SPRINT**

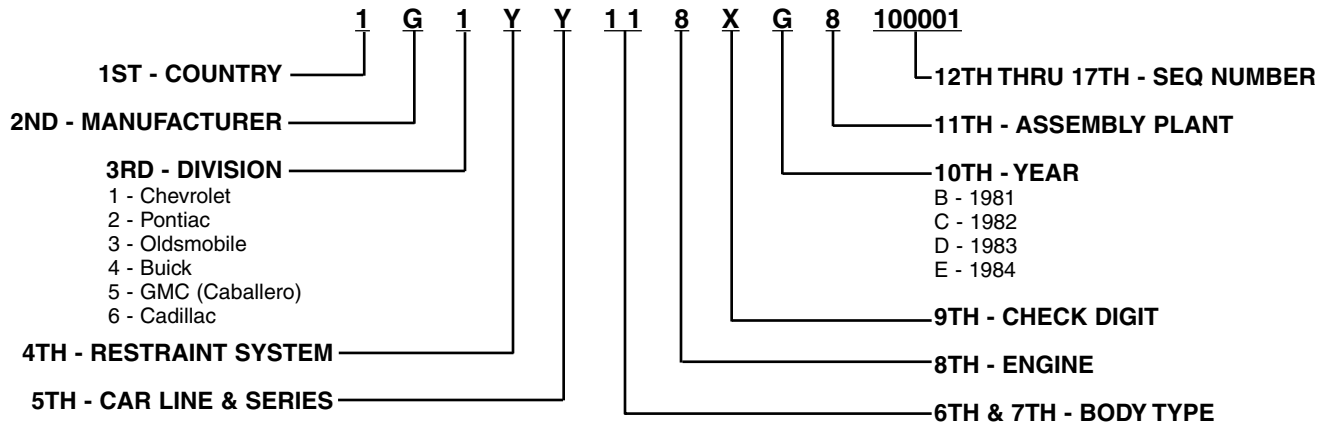
LOCATION: The Vehicle Identification Number is stamped on a metal plate. The plate is attached to the upper left corner of the instrument panel on all models except the 1973-81 Corvette models. On the 1973-81 Corvette models the plate is attached to the inside of the left windshield pillar.

SAMPLE VIN:

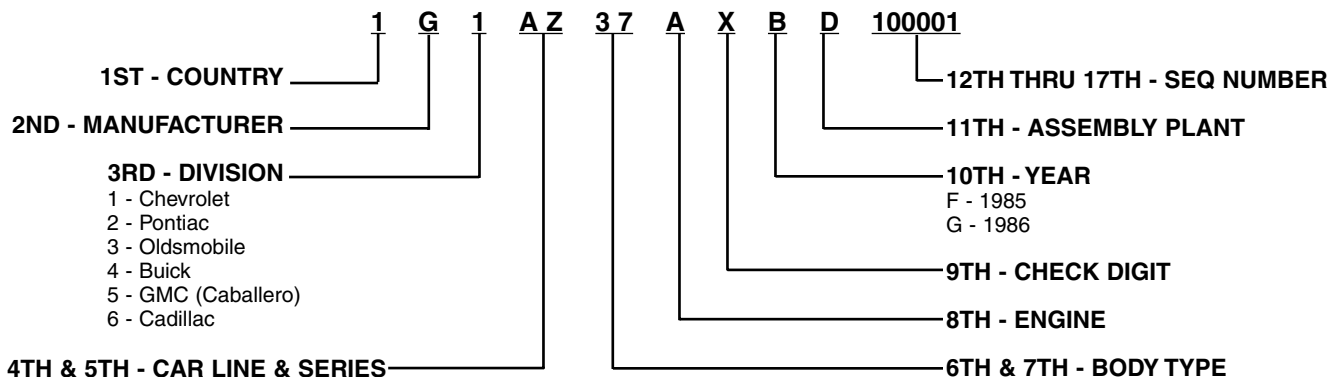
**1974-80
(13 DIGIT NUMBER)**



**1981-84
(17 DIGIT NUMBER)**



**1985-86
(17 DIGIT NUMBER)**

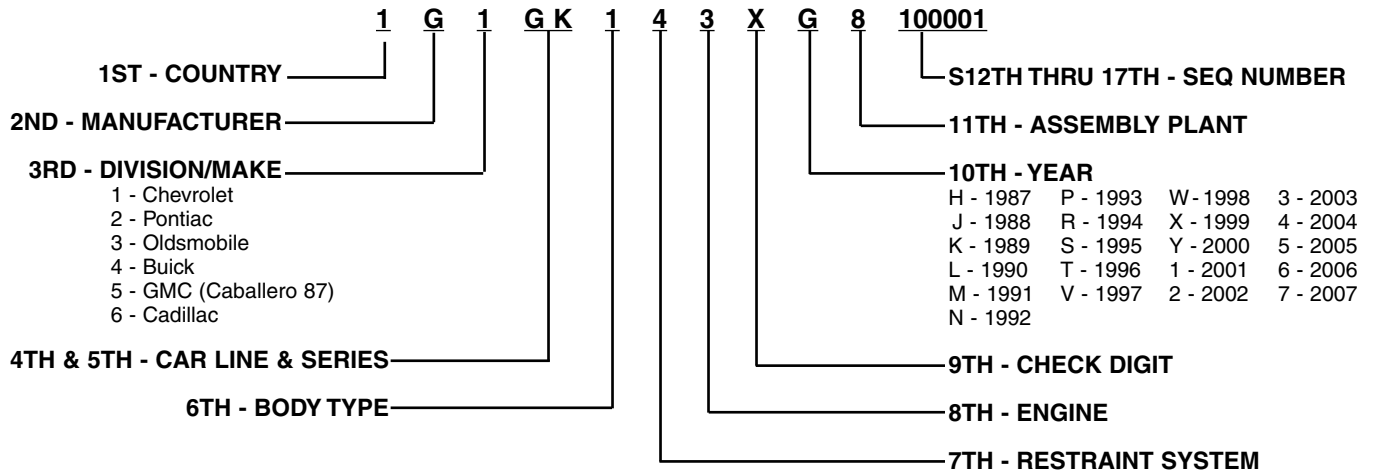


VEHICLE IDENTIFICATION

VIN DECODING

GENERAL MOTORS

**1987-2007
(17 DIGIT NUMBER)**



BUICK DIVISION

1974 BUICK

1st Position - DIVISION

4 Buick

2nd Position - CAR LINE & SERIES

- B Apollo
- D Century 350 (Cpe & Sed)
- F Century 350 (S/W)
- H Century Luxus (Cpe & Sed)
- J Century Regal
- K Century Luxus (S/W)
- N LeSabre Std
- P LeSabre Luxus
- R Estate Wagon
- T Electra 225 Std
- V Electra 225 Custom
- X Electra 225 Limited
- Y Riviera

3rd & 4th Positions - BODY TYPE

- 17 2 Dr HB
- 27 2 Dr Cpe
- 29 4 Dr Sed
- 35 4 Dr S/W, 2 Seat
- 37 2 Dr HT
- 39 4 Dr HT
- 45 4 Dr S/W, 3 Seat
- 57 2 Dr HT
- 67 2 Dr Conv
- 69 4 Dr Sed
- 87 2 Dr HT

5th Position - ENGINE TYPE

- D 6-250 (4.1) 1BC 100HP
- H 8-350 (5.7) 2BC 150HP
- J 8-350 (5.7) 4BC 175HP
- P 8-455 (7.5) 2BC 175HP
- R 8-455 (7.5) 2BC 190HP
- T 8-455 (7.5) 4BC 210HP
- U 8-455 (7.5) 4BC 230HP
- V 8-455 (7.5) 4BC 255HP
- W 8-455 (7.5) 4BC 245HP

¹Stage 1.

6th Position - MODEL YEAR

4 1974

7th Position - ASSEMBLY PLANT

8th thru 13th Positions - SEQUENCE NUMBER

A sequential serial number assigned by the vehicle manufacturer.

1975 BUICK

1st Position - DIVISION

4 Buick

2nd Position - CAR LINE & SERIES

- B Apollo Std (4 Dr)
- Skylark Std (2 Dr)

- C Apollo "SR" (4 Dr)
- Skylark "SR" (2 Dr)
- D Century 350 (Cpe & Sed)
- E Century Special
- F Century 350 (S/W)
- H Century Custom (Cpe & Sed)
- J Century Regal
- K Century Custom (S/W)
- N LeSabre Std
- P LeSabre Custom
- R Estate Wagon
- S Skyhawk Std
- V Electra 225 Custom
- X Electra Limited
- Z Riviera

3rd & 4th Positions - BODY TYPE

- 07 2 Dr HB
- 17 2 Dr HB
- 27 2 Dr Cpe
- 29 4 Dr Sed
- 35 4 Dr S/W, 2 Seat
- 37 2 Dr Cpe
- 39 4 Dr HT
- 45 4 Dr S/W, 3 Seat
- 57 2 Dr HT
- 67 2 Dr Conv
- 69 4 Dr Sed
- 87 2 Dr HT

5th Position - ENGINE TYPE

- C 6-231 (3.8) 2BC Buick Blt
- D 6-250 (4.1) 1BC Chev Blt
- F 8-260 (4.3) 2BC Olds Blt
- H 8-350 (5.7) 2BC Buick Blt
- J 8-350 (5.7) 4BC Buick Blt
- T 8-455 (7.5) 4BC Buick Blt

6th Position - MODEL YEAR

5 1975

7th Position - ASSEMBLY PLANT

8th thru 13th Positions - SEQUENCE NUMBER

A sequential serial number assigned by the vehicle manufacturer.

1976 BUICK

1st Position - DIVISION

4 Buick

2nd Position - CAR LINE & SERIES

- B Skylark Std
- C Skylark "SR"
- D Century Std (Cpe & Sed)
- E Century Special
- H Century Custom (Cpe & Sed)
- J Century Regal
- K Century Custom (S/W)
- N LeSabre Std
- P LeSabre Custom

- R Estate Wagon
- S Skyhawk Std
- T Skyhawk "S"
- V Electra 225 Custom
- W Skylark "S"
- X Electra Limited
- Z Riviera

3rd & 4th Positions - BODY TYPE

- 07 2 Dr HB
- 17 2 Dr HB
- 27 2 Dr Cpe
- 29 4 Dr Sed
- 35 4 Dr S/W, 2 Seat
- 37 2 Dr Cpe
- 39 4 Dr HT
- 45 4 Dr S/W, 3 Seat
- 57 2 Dr HT
- 69 4 Dr Sed
- 87 2 Dr HT

5th Position - ENGINE TYPE

- C 6-231 (3.8) 2BC Buick Blt
- F 8-260 (4.3) 2BC Olds Blt
- H 8-350 (5.7) 2BC Buick Blt
- J 8-350 (5.7) 4BC Buick Blt
- T 8-455 (7.5) 4BC Buick Blt

6th Position - MODEL YEAR

6 1976

7th Position - ASSEMBLY PLANT

8th thru 13th Positions - SEQUENCE NUMBER

A sequential serial number assigned by the vehicle manufacturer.

1977 BUICK

1st Position - DIVISION

4 Buick

2nd Position - CAR LINE & SERIES

- B Skylark Std
- C Skylark "SR"
- D Century Std
- E Century Special
- F LeSabre Sport Coupe
- H Century Custom (Cpe & Sed)
- J Century Regal
- K Century Custom (S/W)
- N LeSabre Std
- P LeSabre Custom
- R Estate Wagon
- S Skyhawk Std
- T Opel
- Skyhawk "S"
- V Electra 225 Custom
- W Skylark "S"
- X Electra Limited
- Z Riviera

1977 BUICK (Cont.)**3rd & 4th Positions - BODY TYPE**

07 2 Dr HB
 17 2 Dr HB
 27 2 Dr Cpe
 29 4 Dr Sed
 35 4 Dr S/W, 2 Seat
 37 2 Dr Cpe
 45 4 Dr S/W, 3 Seat
 57 2 Dr Cpe
 69 4 Dr Sed
 77 2 Dr Cpe

5th Position - ENGINE TYPE

A 6-231 (3.8) 2BC Even Firing
 B 4-111 (1.8) 2BC 80HP
 C 6-231 (3.8) 2BC Odd Firing
 H 8-350 (5.7) 2BC Buick Blt
 J 8-350 (5.7) 4BC Buick Blt
 K 8-403 (6.6) 4BC
 L 8-350 (5.7) 4BC Chev Blt
 R 8-350 (5.7) 4BC Olds Blt
 U 8-305 (5.0) 2BC
 Y 8-301 (4.9) 2BC Pont Blt

6th Position - MODEL YEAR

7 1977

7th Position - ASSEMBLY PLANT**8th thru 13th Positions - SEQUENCE NUMBER**

A sequential serial number assigned by the vehicle manufacturer.

1978 BUICK**1st Position - DIVISION**

4 Buick

2nd Position - CAR LINE & SERIES

B Skylark Std
 C Skylark Custom
 E Century Special
 F LeSabre Sport Coupe
 G Century Sport Coupe
 H Century Custom
 J Regal Std
 K Regal Sport
 L Century Limited
 M Regal Limited
 N LeSabre Std
 P LeSabre Custom
 R Estate Wagon
 S Skyhawk Std
 T Opel Std
 Skyhawk "S"
 U Park Avenue
 V Electra 225
 W Opel Sport
 Skylark "S"
 X Electra Limited
 Y Opel Deluxe
 Z Riviera

3rd & 4th Positions - BODY TYPE

07 2 Dr HB 37 2 Dr Cpe
 09 4 Dr Sed 47 2 Dr Cpe
 17 2 Dr HB 69 4 Dr Sed
 27 2 Dr Cpe 77 2 Dr Cpe
 35 4 Dr S/W 87 2 Dr Cpe

5th Position - ENGINE TYPE

A 6-231 (3.8) 2BC
 B 4-111 (1.8) 2BC
 C 6-196 (3.2) 2BC
 G 6-231 (3.8) 2BC Turbo
 H 8-305 (5.0) 4BC
 K 8-403 (6.6) 4BC 185HP
 L 8-350 (5.7) 4BC Chev Blt
 R 8-350 (5.7) 4BC Olds Blt
 U 8-305 (5.0) 2BC
 X 8-350 (5.7) 4BC Buick Blt
 Y 8-301 (4.9) 2BC
 Z 8-400 (6.6) 4BC 180HP
 2 6-231 (3.8) 2BC Elect Carb
 3 6-231 (3.8) 4BC Turbo

6th Position - MODEL YEAR

8 1978

7th Position - ASSEMBLY PLANT**8th thru 13th Positions - SEQUENCE NUMBER**

A sequential serial number assigned by the vehicle manufacturer.

1979 BUICK**1st Position - DIVISION**

4 Buick

2nd Position - CAR LINE & SERIES

B Skylark Std
 C Skylark Custom
 E Century Special
 F LeSabre Custom
 G Century Sport Coupe
 H Century Custom
 J Regal Std
 K Regal Sport Coupe
 L Century Limited
 M Regal Limited
 N LeSabre Std
 P LeSabre Limited
 R Estate Wagon
 S Skyhawk Std
 T Skyhawk "S"
 U Park Avenue
 V Electra 225
 W Skylark "S"
 X Electra Limited
 Y Riviera "S"
 Z Riviera Std

3rd & 4th Positions - BODY TYPE

07 2 Dr HB 37 2 Dr Cpe
 09 4 Dr Sed 47 2 Dr Cpe
 17 2 Dr HB 69 4 Dr Sed
 27 2 Dr Cpe 77 2 Dr Cpe
 35 4 Dr S/W 87 2 Dr Cpe

5th Position - ENGINE TYPE

A 6-231 (3.8) 2BC
 C 6-196 (3.2) 2BC
 G 8-305 (5.0) 2BC
 H 8-305 (5.0) 4BC
 K 8-403 (6.6) 4BC
 L 8-350 (5.7) 4BC Chev Blt
 R 8-350 (5.7) 4BC Olds Blt
 W 8-301 (4.9) 4BC
 X 8-350 (5.7) 4BC Buick Blt
 Y 8-301 (4.9) 2BC
 2 6-231 (3.8) 2BC Elect Carb
 3 6-231 (3.8) 4BC Turbo

6th Position - MODEL YEAR

9 1979

7th Position - ASSEMBLY PLANT**8th thru 13th Positions - SEQUENCE NUMBER**

A sequential serial number assigned by the vehicle manufacturer.

1980 BUICK**1st Position - DIVISION**

4 Buick

2nd Position - CAR LINE & SERIES

B Skylark Std
 C Skylark Limited
 D Skylark Sport
 E Century Std
 F LeSabre Sport Coupe
 G Century Sport Coupe
 H Century Std (Cpe & Sed)
 Century Estate (S/W)
 J Regal Std
 K Regal Sport Coupe
 L Century Limited
 M Regal Limited
 N LeSabre Std
 P LeSabre Limited
 R Estate Wagon
 S Skyhawk Std
 T Skyhawk "S"
 V Electra Estate Wagon
 W Electra Park Avenue
 X Electra Limited
 Y Riviera Sport
 Z Riviera Std

3rd & 4th Positions - BODY TYPE

07 2 Dr HB 57 2 Dr Cpe
 35 4 Dr S/W 69 4 Dr Sed
 37 2 Dr Cpe 87 2 Dr Cpe
 47 2 Dr Cpe

5th Position - ENGINE TYPE

A 6-231 (3.8) 2BC
 H 8-305 (5.0) 4BC
 N 8-350 (5.7) Dsl-FI Olds Blt
 R 8-350 (5.7) 4BC Olds Blt
 S 8-265 (4.3) 2BC
 W 8-301 (4.9) 4BC
 X 8-350 (5.7) 4BC Buick Blt
 Y 8-307 (5.0) 4BC
 3 6-231 (3.8) 4BC Turbo
 4 6-252 (4.1) 4BC
 5 4-151 (2.5) 2BC
 7 6-173 (2.8) 2BC

6th Position - MODEL YEAR

A 1980

7th Position - ASSEMBLY PLANT**8th thru 13th Positions - SEQUENCE NUMBER**

A sequential serial number assigned by the vehicle manufacturer.

1981 BUICK**1st Position - COUNTRY**

1 United States
 2 Canada

2nd Position - MANUFACTURER

G General Motors

3rd Position - DIVISION

4 Buick

4th Position - RESTRAINT SYSTEM

A Manual Belts
 B Automatic Belts
 C Air Bags

5th Position - CAR LINE & SERIES

B Skylark Std
 C Skylark Limited
 D Skylark Sport
 E Century Std (S/W)
 F LeSabre Sport Coupe
 H Century Std (Sed)
 Century Estate (S/W)
 J Regal Std
 K Regal Sport Coupe
 L Century Limited
 M Regal Limited
 N LeSabre Std
 P LeSabre Limited
 R Estate Wagon
 V Electra Estate Wagon
 W Electra Park Avenue
 X Electra Limited
 Y Riviera Sport
 Z Riviera Std

6th & 7th Positions - BODY TYPE

35 4 Dr S/W 57 2 Dr Cpe
 37 2 Dr Cpe 69 4 Dr Sed
 47 2 Dr Cpe

8th Position - ENGINE TYPE

A 6-231 (3.8) 2BC
 N 8-350 (5.7) Dsl-FI
 S 8-265 (4.3) 2BC
 X 6-173 (2.8) 2BC 115HP
 Y 8-307 (5.0) 4BC
 Z 6-173 (2.8) 2BC 135HP
 3 6-231 (3.8) 4BC Turbo
 4 6-252 (4.1) 4BC
 5 4-151 (2.5) 2BC

9th Position - CHECK DIGIT

A single number or the letter "X" used to verify the accuracy of the VIN.

10th Position - MODEL YEAR

B 1981

11th Position - ASSEMBLY PLANT**12th thru 17th Positions - SEQUENCE NUMBER**

A sequential serial number assigned by the vehicle manufacturer.

VEHICLE IDENTIFICATION

VIN DECODING

GENERAL MOTORS

1982 BUICK

1st Position - COUNTRY

- 1 United States
- 2 Canada

2nd Position - MANUFACTURER

- G General Motors

3rd Position - DIVISION

- 4 Buick

4th Position - RESTRAINT SYSTEM

- A Manual Belts
- B Automatic Belts
- C Air Bags

5th Position - CAR LINE & SERIES

- B Skylark Std
- C Skylark Limited
- D Skylark Sport
- G Century Sport
- H Century Std
- J Regal Std
- K Regal Sport
- L Century Limited
- M Regal Limited
- N LeSabre Std
- P LeSabre Limited
- R LeSabre Estate Wagon
- S Skyhawk Std
- T Skyhawk Limited
- V Electra Estate Wagon
- W Electra Park Avenue
- X Electra Limited
- Y Riviera "T" Type
- Z Riviera Luxury

6th & 7th Positions - BODY TYPE

- 19 4 Dr Sed 47 2 Dr Cpe
- 27 2 Dr Cpe 57 2 Dr Cpe
- 35 4 Dr S/W 67 2 Dr Conv
- 37 2 Dr Cpe 69 4 Dr Sed

8th Position - ENGINE TYPE

- A 6-231 (3.8) 2BC
- B 4-122 (2.0) 2BC
- E 6-181 (3.0) 2BC
- G 4-112 (1.8) 2BC
- H 8-307 (5.0) 4BC
- J 8-267 (4.4) 2BC
- N 8-350 (5.7) Dsl-FI
- R 4-151 (2.5) TBI
- T 6-262 (4.3) Dsl-FI FWD
- V 6-262 (4.3) Dsl-FI RWD
- X 6-173 (2.8) 2BC 115HP
- Y 8-307 (5.0) 4BC
- Z 6-173 (2.8) 2BC 135HP
- 0 4-112 (1.8) TBI OHC
- 3 6-231 (3.8) 4BC Turbo
- 4 6-252 (4.1) 4BC
- 5 4-151 (2.5) 2BC

9th Position - CHECK DIGIT

A single number or the letter "X" used to verify the accuracy of the VIN.

10th Position - MODEL YEAR

- C 1982

11th Position - ASSEMBLY PLANT

12th thru 17th Positions - SEQUENCE NUMBER

A sequential serial number assigned by the vehicle manufacturer.

1983 BUICK

1st Position - COUNTRY

- 1 United States
- 2 Canada

2nd Position - MANUFACTURER

- G General Motors

3rd Position - DIVISION

- 4 Buick

4th Position - RESTRAINT SYSTEM

- A Manual Belts
- B Automatic Belts

5th Position - CAR LINE & SERIES

- B Skylark Custom
- C Skylark Limited
- D Skylark Sport

- E Skyhawk "T" Type
- G Century Sport
- H Century Custom
- J Regal Std
- Regal Estate Wagon
- K Regal Sport Coupe
- L Century Limited
- M Regal Limited
- N LeSabre Custom
- P LeSabre Limited
- R LeSabre Estate Wagon
- S Skyhawk Std
- T Skyhawk Limited
- V Electra Estate Wagon
- W Electra Park Avenue
- X Electra Limited
- Y Riviera "T" Type
- Z Riviera Luxury

6th & 7th Positions - BODY TYPE

- 19 4 Dr Sed 47 2 Dr Cpe
- 27 2 Dr Cpe 57 2 Dr Cpe
- 35 4 Dr S/W 67 2 Dr Conv
- 37 2 Dr Cpe 69 4 Dr Sed

8th Position - ENGINE TYPE

- A 6-231 (3.8) 2BC
- B 4-122 (2.0) 2BC
- E 6-181 (3.0) 2BC
- H 8-307 (5.0) 4BC
- J 4-112 (1.8) MPFI Turbo
- N 8-350 (5.7) Dsl-FI
- P 4-122 (2.0) TBI
- R 4-151 (2.5) TBI
- T 6-262 (4.3) Dsl-FI FWD
- V 6-262 (4.3) Dsl-FI RWD
- X 6-173 (2.8) 2BC 115HP
- Y 8-307 (5.0) 4BC
- Z 6-173 (2.8) 2BC 135HP
- 0 4-112 (1.8) TBI
- 3 6-231 (3.8) MPFI
- 4 6-252 (4.1) 4BC
- 8 6-231 (3.8) 4BC
- 9 6-231 (3.8) MPFI Turbo

9th Position - CHECK DIGIT

A single number or the letter "X" used to verify the accuracy of the VIN.

10th Position - MODEL YEAR

- D 1983

11th Position - ASSEMBLY PLANT

12th thru 17th Positions - SEQUENCE NUMBER

A sequential serial number assigned by the vehicle manufacturer.

1984 BUICK

1st Position - COUNTRY

- 1 United States
- 2 Canada

2nd Position - MANUFACTURER

- G General Motors

3rd Position - DIVISION

- 4 Buick

4th Position - RESTRAINT SYSTEM

- A Manual Belts

5th Position - CAR LINE & SERIES

- B Skylark Custom
- C Skylark Limited
- D Skylark "T" Type
- E Skyhawk "T" Type
- F Electra "T" Type (FWD)
- G Century "T" Type
- H Century Custom
- J Regal Std
- K Regal "T" Type
- L Century Limited
- M Regal Limited
- N LeSabre Custom
- P LeSabre Limited
- R Electra Limited (RWD)
- S Skyhawk Custom
- T Skyhawk Limited
- U Electra Park Avenue (RWD)
- V Electra Estate Wagon

- W Electra Park Avenue (FWD)
- X Electra Limited (FWD)
- Y Riviera "T" Type
- Z Riviera Luxury

6th & 7th Positions - BODY TYPE

- 19 4 Dr Sed 47 2 Dr Cpe
- 27 2 Dr Cpe 57 2 Dr Cpe
- 35 4 Dr S/W 67 2 Dr Conv
- 37 2 Dr Cpe 69 4 Dr Sed

8th Position - ENGINE TYPE

- A 6-231 (3.8) 2BC
- B 4-122 (2.0) 2BC
- E 6-181 (3.0) 2BC
- H 8-307 (5.0) 4BC
- J 4-112 (1.8) MPFI Turbo
- N 8-350 (5.7) Dsl-FI
- P 4-122 (2.0) TBI
- R 4-151 (2.5) TBI
- T 6-262 (4.3) Dsl-FI FWD
- V 6-262 (4.3) Dsl-FI RWD
- X 6-173 (2.8) 2BC 112HP
- Y 8-307 (5.0) 4BC
- Z 6-173 (2.8) 2BC 135HP
- 0 4-112 (1.8) TBI
- 1 6-173 (2.8) 2BC 107HP
- 3 6-231 (3.8) MPFI
- 4 6-252 (4.1) 4BC
- 5 4-151 (2.5) 2BC
- 8 6-231 (3.8) 4BC
- 9 6-231 (3.8) MPFI Turbo

9th Position - CHECK DIGIT

A single number or the letter "X" used to verify the accuracy of the VIN.

10th Position - MODEL YEAR

- E 1984

11th Position - ASSEMBLY PLANT

12th thru 17th Positions - SEQUENCE NUMBER

A sequential serial number assigned by the vehicle manufacturer.

1985 BUICK

1st Position - COUNTRY

- 1 United States
- 2 Canada

2nd Position - MANUFACTURER

- G General Motors

3rd Position - DIVISION

- 4 Buick

4th Position - CAR LINE

- A Century
- B LeSabre
- Electra Estate Wagon (RWD)
- C Electra (FWD)
- D Electra (RWD)
- E Riviera
- G Regal
- J Skyhawk
- N Somerset Regal
- X Skylark

5th Position - SERIES

- B Skylark Custom
- C Skylark Limited
- D Skylark Sport "T" Type
- E Skyhawk "T" Type
- F Electra "T" Type (FWD)
- G Century Sport "T" Type
- H Century Custom
- J Regal Std
- K Regal Sport "T" Type
- L Century Limited (RWD)
- M Regal Limited
- N LeSabre Custom
- P LeSabre Limited
- R Electra Limited (RWD)
- S Skyhawk Custom
- T Skyhawk Limited
- U Electra Park Avenue (RWD)
- V Electra Estate (RWD)
- W Electra Park Avenue (FWD)
- X Electra Limited (FWD)
- Y Riviera "T" Type
- Z Riviera Luxury

1985 BUICK (Cont.)**6th & 7th Positions - BODY TYPE**

11	2 Dr Cpe	47	2 Dr Cpe
19	4 Dr Sed	57	2 Dr Cpe
27	2 Dr Cpe	67	2 Dr Conv
35	4 Dr S/W	69	4 Dr Sed
37	2 Dr Cpe		

8th Position - ENGINE TYPE

A	6-231 (3.8)	2BC
E	6-181 (3.0)	2BC
H	8-307 (5.0)	4BC
J	4-112 (1.8)	MPFI
L	6-181 (3.0)	MPFI
N	8-350 (5.7)	Dsl-FI
P	4-122 (2.0)	TBI
R	4-151 (2.5)	TBI
T	6-262 (4.3)	Dsl-FI FWD
U	4-151 (2.5)	TBI
V	6-262 (4.3)	Dsl-FI RWD
W	6-173 (2.8)	EFI 125HP
X	6-173 (2.8)	2BC 112HP
Y	8-307 (5.0)	4BC
Z	6-262 (4.3)	TBI
0	4-112 (1.8)	TBI
3	6-231 (3.8)	MPFI
9	6-231 (3.8)	MPFI Turbo

9th Position - CHECK DIGIT

A single number or the letter "X" used to verify the accuracy of the VIN.

10th Position - MODEL YEAR

F 1985

11th Position - ASSEMBLY PLANT**12th thru 17th Positions - SEQUENCE NUMBER**

A sequential serial number assigned by the vehicle manufacturer.

1986 BUICK**1st Position - COUNTRY**

1 United States
2 Canada

2nd Position - MANUFACTURER

G General Motors

3rd Position - DIVISION

4 Buick

4th Position - CAR LINE

A Century
B LeSabre Estate Wagon (RWD)
Electra Estate Wagon (RWD)
C Electra (FWD)
D Electra (RWD)
E Riviera
G Regal
H LeSabre
J Skyhawk
N Skylark (Body Type 69)
Somerset Regal (Body Type 27)

5th Position - SERIES

E Skyhawk "T" Type
F Electra "T" Type (FWD)
G Century Sport "T" Type
H Century Custom
J Regal Std
Skylark Custom
Somerset Std
K Regal Sport "T" Type
Somerset "T" Type
L Century Limited
M Regal Limited
Skylark Limited
Somerset Limited
P LeSabre Custom
R LeSabre Estate Wagon
LeSabre Limited
Skyhawk Custom
T Skyhawk Limited
U Electra Park Avenue (RWD)
V Electra Estate Wagon
Electra Estate (RWD)
W Electra Park Avenue (FWD)
X Electra Limited (FWD)
Y Riviera "T" Type
Z Riviera Luxury

6th & 7th Positions - BODY TYPE

11	2 Dr Cpe	47	2 Dr Cpe
19	4 Dr Sed	57	2 Dr Cpe
27	2 Dr Cpe	67	2 Dr Conv
35	4 Dr S/W	69	4 Dr Sed
37	2 Dr Cpe	77	2 Dr HB

8th Position - ENGINE TYPE

A	6-231 (3.8)	2BC
B	6-231 (3.8)	MPFI
E	6-181 (3.0)	2BC
H	8-305 (5.0)	4BC
J	4-112 (1.8)	MPFI Turbo
L	6-181 (3.0)	MPFI
N	8-350 (5.7)	Dsl-FI
O	4-112 (1.8)	TBI
P	4-122 (2.0)	TBI
R	4-151 (2.5)	TBI
T	6-262 (4.3)	Dsl-FI
U	4-151 (2.5)	TBI
V	6-262 (4.3)	Dsl-FI
W	6-173 (2.8)	MPFI
X	6-173 (2.8)	2BC
Y	8-307 (5.0)	4BC
Z	6-262 (4.3)	TBI
0	4-112 (1.8)	TBI
3	6-231 (3.8)	2BC
7	6-231 (3.8)	MPFI Turbo
9	6-231 (3.8)	MPFI

9th Position - CHECK DIGIT

A single number or the letter "X" used to verify the accuracy of the VIN.

10th Position - MODEL YEAR

G 1986

11th Position - ASSEMBLY PLANT**12th thru 17th Positions - SEQUENCE NUMBER**

A sequential serial number assigned by the vehicle manufacturer.

1987 BUICK**1st Position - COUNTRY**

1 United States
2 Canada

2nd Position - MANUFACTURER

G General Motors

3rd Position - DIVISION

4 Buick

4th & 5th Positions - CAR LINE & SERIES

AH Century Custom
AL Century Estate Wagon (S/W)
Century Limited (Cpe & Sed)
BR LeSabre Estate Wagon
BV Electra Estate Wagon
CW Electra Park Avenue
CX Electra Limited (380)
EZ Riviera Luxury
HH LeSabre Std
HP LeSabre Custom
HR LeSabre Limited
JE Skyhawk "T" Type
JS Skyhawk Custom (Cpe, Sed, S/W)
Skyhawk Sport (HB)
JT Skyhawk Limited
J1 Regal Std
M1 Regal Limited
NJ Skylark Custom (4 Dr Sed)
Somerset Custom (2 Dr Cpe)
NM Skylark Limited (4 Dr Sed)
Somerset Limited (2 Dr Cpe)

6th Position - BODY TYPE

1	2 Dr Cpe	5	4 Dr Sed
2	2 Dr HB	8	4 Dr S/W

7th Position - RESTRAINT SYSTEM

1 Manual Belts
2 Manual Belts (Built in SFTY)
3 Manual Belts (Built in SFTY - Driver Only)
4 Automatic Belts

8th Position - ENGINE TYPE

A	6-231 (3.8)	2BC
H	8-305 (5.0)	4BC
K	4-122 (2.0)	TBI
L	6-181 (3.0)	MPFI
M	4-122 (2.0)	TBI

R	4-151 (2.5)	TBI
U	4-151 (2.5)	TBI
W	6-173 (2.8)	MPFI
Y	8-307 (5.0)	4BC
Z	6-262 (4.3)	TBI
1	4-122 (2.0)	TBI
3	6-231 (3.8)	2BC
7	6-231 (3.8)	MPFI Turbo
9	6-231 (3.8)	MPFI

9th Position - CHECK DIGIT

A single number or the letter "X" used to verify the accuracy of the VIN.

10th Position - MODEL YEAR

H 1987

11th Position - ASSEMBLY PLANT**12th thru 17th Positions - SEQUENCE NUMBER**

A sequential serial number assigned by the vehicle manufacturer.

1988 BUICK**1st Position - COUNTRY**

1 United States
2 Canada

2nd Position - MANUFACTURER

G General Motors

3rd Position - DIVISION

4 Buick

4th & 5th Positions - CAR LINE & SERIES

AH Century Custom
AL Century Estate Wagon (S/W)
Century Limited (Cpe & Sed)
BR LeSabre Estate Wagon
BV Electra Estate Wagon
CF Electra "T" Type
CW Electra Park Avenue
CX Electra Limited (380)
EZ Riviera Luxury
GJ Regal Std
GM Regal Limited
HH LeSabre Std
HP LeSabre Custom
HR LeSabre Limited
JS Skyhawk Custom (Cpe, Sed, S/W)
Skyhawk Sport (HB)
NJ Skylark Custom
NM Skylark Limited (4 Dr Sed)
Somerset Limited (2 Dr Cpe)
WB Regal Custom
WD Regal Limited
WM Regal Std

6th Position - BODY TYPE

1	2 Dr Cpe	5	4 Dr Sed
2	2 Dr HB	8	4 Dr S/W

7th Position - RESTRAINT SYSTEM

1 Manual Belts
2 Manual Belts (Built in SFTY)
3 Manual Belts (Built in SFTY - Driver Only)
4 Automatic Belts

8th Position - ENGINE TYPE

C	6-231 (3.8)	SFI
D	4-138 (2.3)	MPFI
K	4-122 (2.0)	TBI
L	6-181 (3.0)	MPFI
M	4-122 (2.0)	EFI
R	4-151 (2.5)	TBI
U	4-151 (2.5)	TBI
W	6-173 (2.8)	MPFI
X	6-173 (2.8)	2BC
Y	8-307 (5.0)	4BC
0	4-112 (1.8)	TBI
1	4-122 (2.0)	TBI
3	6-231 (3.8)	2BC

9th Position - CHECK DIGIT

A single number or the letter "X" used to verify the accuracy of the VIN.

10th Position - MODEL YEAR

J 1988

11th Position - ASSEMBLY PLANT**12th thru 17th Positions - SEQUENCE NUMBER**

A sequential serial number assigned by the vehicle manufacturer.

Cont.

VEHICLE IDENTIFICATION

VIN DECODING

GENERAL MOTORS

1989 BUICK**1st Position - COUNTRY**

- 1 United States
- 2 Canada

2nd Position - MANUFACTURER

- G General Motors

3rd Position - DIVISION

- 4 Buick

4th & 5th Positions - CAR LINE & SERIES

- AH Century Custom
- AL Century Estate Wagon (S/W)
Century Limited (Cpe & Sed)
- BR LeSabre Estate Wagon
- BV Electra Estate Wagon
- CF Electra "T" Type
- CU Electra Park Avenue (Ultra)
- CW Electra Park Avenue
- CX Electra Limited (380)
- EC Reatta
- EZ Riviera Luxury
- HP LeSabre Custom
- HR LeSabre Limited
- JS Skyhawk Custom (Cpe, Sed, S/W)
Skyhawk Sport (HB)
- ND Skylark Limited (4 Dr Sed)
- NJ Skylark Custom
- NM Skylark Limited (4 Dr Sed)
Somerset Limited (2 Dr Cpe)
- WB Regal Custom
- WD Regal Limited
- WM Regal Std

6th Position - BODY TYPE

- | | | | |
|---|----------|---|----------|
| 1 | 2 Dr Cpe | 5 | 4 Dr Sed |
| 2 | 2 Dr HB | 8 | 4 Dr S/W |

7th Position - RESTRAINT SYSTEM

- 1 Manual Belts
- 2 Manual Belts (Built in SFTY)
- 3 Manual Belts (Built in SFTY - Driver Only)
- 4 Automatic Belts

8th Position - ENGINE TYPE

- C 6-231 (3.8) SFI
- D 4-138 (2.3) MPFI
- K 4-122 (2.0) TBI
- L 6-181 (3.0) MPFI
- N 6-204 (3.3) MPFI
- R 4-151 (2.5) TBI
- T 6-189 (3.1) MPFI
- U 4-151 (2.5) TBI
- W 6-173 (2.8) MPFI
- Y 8-307 (5.0) 4BC
- 1 4-122 (2.0) TBI
- 3 6-231 (3.8) 2BC

9th Position - CHECK DIGIT

A single number or the letter "X" used to verify the accuracy of the VIN.

10th Position - MODEL YEAR

- K 1989

11th Position - ASSEMBLY PLANT**12th thru 17th Positions - SEQUENCE NUMBER**

A sequential serial number assigned by the vehicle manufacturer.

1990 BUICK**1st Position - COUNTRY**

- 1 United States
- 2 Canada

2nd Position - MANUFACTURER

- G General Motors

3rd Position - DIVISION

- 4 Buick

4th & 5th Positions - CAR LINE & SERIES

- AH Century Custom
- AL Century Estate Wagon (S/W)
Century Limited (Sed)
- BR LeSabre Wagon
- CF Electra "T" Type
- CU Electra Park Avenue (Ultra)
- CW Electra Park Avenue
- CX Electra Limited

EC Reatta (Cpe)

Reatta (Conv)

EZ Riviera Luxury

HP LeSabre Custom

HR LeSabre Limited

NC Skylark (4 Dr Sed)

ND Skylark Luxury

NJ Skylark (2 Dr Cpe)

NM Skylark Sport

NV Skylark

WB Regal Custom

WD Regal Limited

WM Regal

6th Position - BODY TYPE

- | | | | |
|---|-----------|---|----------|
| 1 | 2 Dr Cpe | 5 | 4 Dr Sed |
| 3 | 2 Dr Conv | 8 | 4 Dr S/W |

7th Position - RESTRAINT SYSTEM

- 1 Manual Belts
- 2 Manual Belts (Built in SFTY)
- 3 Manual Belts (Driver Inflatable)
- 4 Automatic Belts

8th Position - ENGINE TYPE

- C 6-231 (3.8) SFI
- D 4-138 (2.3) MPFI
- N 6-204 (3.3) MPFI
- R 4-151 (2.5) TBI
- T 6-189 (3.1) MPFI
- U 4-151 (2.5) TBI
- Y 8-307 (5.0) 4BC

9th Position - CHECK DIGIT

A single number or the letter "X" used to verify the accuracy of the VIN.

10th Position - MODEL YEAR

- L 1990

11th Position - ASSEMBLY PLANT**12th thru 17th Positions - SEQUENCE NUMBER**

A sequential serial number assigned by the vehicle manufacturer.

1991 BUICK**1st Position - COUNTRY**

- 1 United States
- 2 Canada
- J Japan

2nd Position - MANUFACTURER

- G General Motors

3rd Position - DIVISION

- 4 Buick

4th & 5th Positions - CAR LINE & SERIES

- AH Century Custom
- AL Century Estate
Century Limited
- BR Road Master Estate Wagon
- CU Electra Park Avenue Ultra
- CW Electra Park Avenue
- EC Reatta
- EZ Riviera Luxury
- HP LeSabre Custom
- HR LeSabre Limited
- NC Skylark Luxury
- NJ Skylark Sport
- WM Regal

6th Position - BODY TYPE

- | | | | |
|---|-----------|---|----------|
| 1 | 2 Dr Cpe | 5 | 4 Dr Sed |
| 3 | 2 Dr Conv | 8 | 4 Dr S/W |

7th Position - RESTRAINT SYSTEM

- 1 Manual Belts
- 2 Manual Belts (Built in SFTY)
- 3 Manual Belts (Driver Air Bag)
- 4 Automatic Belts

8th Position - ENGINE TYPE

- C 6-231 (3.8) SFI
- D 4-138 (2.3) MPFI
- E 8-305 (5.0) TBI
- L 6-231 (3.8) SFI
- N 6-204 (3.3) MPFI
- R 4-151 (2.5) TBI
- T 6-189 (3.1) MPFI
- U 4-151 (2.5) TBI
- Y 8-307 (5.0) 4BC

9th Position - CHECK DIGIT

A single number or the letter "X" used to verify the accuracy of the VIN.

10th Position - MODEL YEAR

- M 1991

11th Position - ASSEMBLY PLANT**12th thru 17th Positions - SEQUENCE NUMBER**

A sequential serial number assigned by the vehicle manufacturer.

1992-93 BUICK**1st Position - COUNTRY**

- 1 United States
- 2 Canada
- J Japan

2nd Position - MANUFACTURER

- G General Motors

3rd Position - DIVISION

- 4 Buick

4th & 5th Positions - CAR LINE & SERIES

- AH Century Custom
- AL Century Limited
- BR Road Master Estate Wagon
- BN Road Master Sedan
- CU Park Avenue Ultra
- CW Park Avenue
- EZ Riviera Luxury
- HP LeSabre Custom
- HR LeSabre Limited
- NJ Skylark
- NM Skylark Gran Sport
- WB Regal Custom
- WD Regal Limited
- WF Regal Gran Sport
- WM Regal

6th Position - BODY TYPE

- | | | | |
|---|-----------|---|----------|
| 1 | 2 Dr Cpe | 5 | 4 Dr Sed |
| 3 | 2 Dr Conv | 8 | 4 Dr S/W |

7th Position - RESTRAINT SYSTEM

- 1 Manual Belts
- 2 Manual Belts (Driver & Pass. Air Bag)
- 3 Manual Belts (Driver Air Bag)
- 4 Automatic Belts
- 5 Automatic Belts (w/Air Bag)

8th Position - ENGINE TYPE

- C 6-231 (3.8) MPFI
- D 4-138 (2.3) MPFI
- L 6-231 (3.8) MPFI
- N 6-204 (3.3) MPFI
- R 4-151 (2.5) TBI
- T 6-189 (3.1) MPFI
- U 4-151 (2.5) TBI
- 1 6-231 (3.8) MPFI
- 4 4-134 (2.2) MPFI
- 7 8-350 (5.7) MPFI

9th Position - CHECK DIGIT

A single number or the letter "X" used to verify the accuracy of the VIN.

10th Position - MODEL YEAR

- N 1992
- P 1993

11th Position - ASSEMBLY PLANT**12th thru 17th Positions - SEQUENCE NUMBER**

A sequential serial number assigned by the vehicle manufacturer.

1994-2005 BUICK**1st Position - COUNTRY**

- 1 United States
- 2 Canada
- 3 Mexico
- J Japan

2nd Position - MANUFACTURER

- G General Motors

3rd Position - MAKE

- 4 Buick

GENERAL MOTORS

VIN DECODING

VEHICLE IDENTIFICATION

1994-2005 BUICK (Cont.)

4th & 5th Positions - CAR LINE & SERIES

AG Century Special (94-96)
 AH Century Custom (94-96)
 AL Century Limited (94-96)
 BR Road Master Estate Wagon
 BN Road Master Sedan
 BT Roadmaster Limited Sedan
 CU Park Avenue Ultra
 CW Park Avenue
 C19 La Cross/Allure CX
 D19 La Cross/Allure CXL
 EC Reatta
 E19 La Cross/Allure CXS
 GD Riviera
 HP LeSabre Custom
 HR LeSabre Limited
 NJ Skylark
 NM Skylark Gran Sport
 WB Regal Custom (94-96)
 Regal LS (97-04)
 WC Lacrosse CX
 WD Lacrosse CXL
 WD Regal Limited
 WE Lacrosse CXS
 WK Regal Limited (01)
 WF Regal Grand Sport (94-96)
 Regal GS (97-04)
 WS Century Custom (97-05)
 WY Century Limited (97-04)

6th Position - BODY TYPE

1 2 Dr Cpe 5 4 Dr Sed
 3 2 Dr Conv 8 4 Dr S/W

7th Position - RESTRAINT SYSTEM

1 Manual Belts
 2 Manual Belts (Dual Air Bags)
 3 Manual Belts (Driver Air Bag)

4 Automatic Belts 1994-96
 Manual Belts (Dual Front & Front Side
 Air Bags) 1997-2005
 5 Automatic Belts (Driver Air Bag) 1994-96
 Manual Belts (Dual Front & Front Side
 Air Bags) 2001-04
 6 Automatic Belts (Driver Air Bag) 1994-96
 Manual Belts (Dual Front & Front Side
 Air Bags) 2001-05
 7 Manual Belts (Dual Front, Front Side & Rear
 Side Air Bags)

8th Position - ENGINE TYPE

1 6-231 (3.8) MFI w/Supercharger
 2 6-231 (3.8) MFI
 3 4-138 (2.3) MPFI
 4 4-133 (2.2) MPFI
 7 6-217 (3.6) MFI
 J 6-191 (3.1) MFI
 K 6-231 (3.8) MFI
 L 6-231 (3.8) SFI
 M 6-191 (3.1) SFI
 P 8-350 (5.7) SFI
 T 4-146 (2.4) SFI

9th Position - CHECK DIGIT

A single number or the letter "X" used to verify the accuracy of the VIN.

10th Position - MODEL YEAR

R 1994 W 1998 2 2002
 S 1995 X 1999 3 2003
 T 1996 Y 2000 4 2004
 V 1997 1 2001 5 2005

11th Position - ASSEMBLY PLANT

12th thru 17th Positions - SEQUENCE NUMBER
 A sequential serial number assigned by the vehicle manufacturer.

2006-07 BUICK

1st Position - COUNTRY

1 United States

2nd Position - MANUFACTURER

G General Motors

3rd Position - MAKE

4 Buick

4th & 5th Positions - CAR LINE & SERIES

C19 LaCrosseAllure CX
 D19 LaCrosseAllure CXL
 E19 LaCrosseAllure CXL
 HP69 Lucerne CX/CXL
 HR69 Lucerne CXL

6th Position - BODY TYPE

5 4 Dr Sedan

7th Position - RESTRAINT SYSTEM

2 Active Manual Belts (Dual Front Air Bags)

8th Position - ENGINE TYPE

K, I V6 (3.8) SFI (L36,L67)
 Y V8 (4.6) SFI Aluminum (LD8)
 1 V6 (3.8) SFI (L26)
 7 V6 (3.6) SFI Aluminum (LY7)

9th Position - CHECK DIGIT

A single number or the letter "X" used to verify the accuracy of the VIN.

10th Position - MODEL YEAR

6 - 2006 7 - 2007

11th Position - ASSEMBLY PLANT

12th thru 17th Positions - SEQUENCE NUMBER

A sequential serial number assigned by the vehicle manufacturer.

CADILLAC DIVISION

1974-75 CADILLAC

1st Position - DIVISION

6 Cadillac

2nd Position - CAR LINE & SERIES

B Fleetwood Brougham
 C Calais
 D DeVille
 F Fleetwood 75 Series
 L Eldorado
 Z Comm Chassis

3rd & 4th Positions - BODY TYPE

23 4 Dr Sed 67 2 Dr Conv
 33 4 Dr Limo 69 4 Dr Sed
 47 2 Dr Cpe 90 Comm Chassis
 49 4 Dr HT

5th Position - ENGINE TYPE

R 8-472 (7.7) 4BC (74)
 S 8-500 (8.2) 4BC (74-75)
 S 8-500 (8.2) EFI (75)

6th Position - MODEL YEAR

4 1974
 5 1975

7th Position - ASSEMBLY PLANT

8th thru 13th Positions - SEQUENCE NUMBER

A sequential serial number assigned by the vehicle manufacturer.

1976 CADILLAC

1st Position - DIVISION

6 Cadillac

2nd Position - CAR LINE & SERIES

B Fleetwood Brougham
 C Calais
 D DeVille
 F Fleetwood 75 Series
 L Eldorado
 S Seville
 Z Comm Chassis

3rd & 4th Positions - BODY TYPE

23 4 Dr Sed 67 2 Dr Conv
 33 4 Dr Limo 69 4 Dr Sed

47 2 Dr Cpe 90 Comm Chassis

49 4 Dr HT

5th Position - ENGINE TYPE

R 8-350 (5.7) EFI
 S 8-500 (8.2) 4BC
 S 8-500 (8.2) EFI

6th Position - MODEL YEAR

6 1976

7th Position - ASSEMBLY PLANT

8th thru 13th Positions - SEQUENCE NUMBER

A sequential serial number assigned by the vehicle manufacturer.

1977 CADILLAC

1st Position - DIVISION

6 Cadillac

2nd Position - CAR LINE & SERIES

B Fleetwood Brougham
 D DeVille
 F Fleetwood 75 Series
 L Eldorado
 S Seville
 Z Comm Chassis

3rd & 4th Positions - BODY TYPE

23 4 Dr Sed 69 4 Dr Sed
 33 4 Dr Limo 90 Comm Chassis
 47 2 Dr Cpe

5th Position - ENGINE TYPE

R 8-350 (5.7) EFI
 S 8-425 (7.0) 4BC
 T 8-425 (7.0) EFI

6th Position - MODEL YEAR

7 1977

7th Position - ASSEMBLY PLANT

8th thru 13th Positions - SEQUENCE NUMBER

A sequential serial number assigned by the vehicle manufacturer.

1978-79 CADILLAC

1st Position - DIVISION

6 Cadillac

2nd Position - CAR LINE & SERIES

B Fleetwood Brougham
 D DeVille
 F Fleetwood Limo
 L Eldorado
 S Seville
 Z Comm Chassis

3rd & 4th Positions - BODY TYPE

23 4 Dr Sed 69 4 Dr Sed
 33 4 Dr Limo 90 Comm Chassis
 47 2 Dr Cpe

5th Position - ENGINE TYPE

B 8-350 (5.7) EFI
 N 8-350 (5.7) Dsl-FI
 S 8-425 (7.0) 4BC
 T 8-425 (7.0) EFI

6th Position - MODEL YEAR

8 1978
 9 1979

7th Position - ASSEMBLY PLANT

8th thru 13th Positions - SEQUENCE NUMBER

A sequential serial number assigned by the vehicle manufacturer.

1980 CADILLAC

1st Position - DIVISION

6 Cadillac

2nd Position - CAR LINE & SERIES

B Fleetwood Brougham
 D DeVille
 F Fleetwood Limo
 L Eldorado
 S Seville
 Z Comm Chassis

3rd & 4th Positions - BODY TYPE

23 4 Dr Sed 57 2 Dr Cpe
 33 4 Dr Limo 69 4 Dr Sed
 47 2 Dr Cpe 90 Comm Chassis

Cont.

VEHICLE IDENTIFICATION

VIN DECODING

GENERAL MOTORS

1980 CADILLAC (Cont.)**5th Position - ENGINE TYPE**

N 8-350 (5.7) Dsl-FI
 4 6-252 (4.1) 4BC
 6 8-368 (6.0) 4BC
 8 8-350 (5.7) TBI
 9 8-368 (6.0) DEFI

6th Position - MODEL YEAR

A 1980

7th Position - ASSEMBLY PLANT**8th thru 13th Positions - SEQUENCE NUMBER**

A sequential serial number assigned by the vehicle manufacturer.

1981 CADILLAC**1st Position - COUNTRY**

1 United States
 2 Canada

2nd Position - MANUFACTURER

G General Motors

3rd Position - DIVISION

6 Cadillac

4th Position - RESTRAINT SYSTEM

A Manual Belts
 B Automatic Belts
 C Air Bags

5th Position - CAR LINE & SERIES

B Fleetwood Brougham
 D DeVille
 F Fleetwood Limo
 L Eldorado
 S Seville
 Z Comm Chassis

6th & 7th Positions - BODY TYPE

23	4 Dr Sed	57	2 Dr Cpe
33	4 Dr Limo	69	4 Dr Sed
47	2 Dr Cpe	90	Comm Chassis

8th Position - ENGINE TYPE

N 8-350 (5.7) Dsl-FI
 4 6-252 (4.1) 4BC
 6 8-368 (6.0) 4BC
 9 8-368 (6.0) DFI V8-6-4

9th Position - CHECK DIGIT

A single number or the letter "X" used to verify the accuracy of the VIN.

10th Position - MODEL YEAR

B 1981

11th Position - ASSEMBLY PLANT**12th thru 17th Positions - SEQUENCE NUMBER**

A sequential serial number assigned by the vehicle manufacturer.

1982 CADILLAC**1st Position - COUNTRY**

1 United States
 2 Canada

2nd Position - MANUFACTURER

G General Motors

3rd Position - DIVISION

6 Cadillac

4th Position - RESTRAINT SYSTEM

A Manual Belts
 B Automatic Belts
 C Air Bags

5th Position - CAR LINE & SERIES

B Fleetwood Brougham
 D DeVille
 F Fleetwood Limo
 G Cimarron
 L Eldorado
 S Seville
 Z Comm Chassis

6th & 7th Positions - BODY TYPE

23	4 Dr Sed	69	4 Dr Sed
47	2 Dr Cpe	90	Comm Chassis
57	2 Dr Cpe		

8th Position - ENGINE TYPE

G 4-112 (1.8) 2BC
 N 8-350 (5.7) Dsl-FI
 0 4-112 (1.8) TBI
 4 6-252 (4.1) 4BC
 6 8-368 (6.0) 4BC

8 8-252 (4.1) DFI
 9 8-368 (6.0) DFI V8-6-4

9th Position - CHECK DIGIT

A single number or the letter "X" used to verify the accuracy of the VIN.

10th Position - MODEL YEAR

C 1982

11th Position - ASSEMBLY PLANT**12th thru 17th Positions - SEQUENCE NUMBER**

A sequential serial number assigned by the vehicle manufacturer.

1983 CADILLAC**1st Position - COUNTRY**

1 United States
 2 Canada

2nd Position - MANUFACTURER

G General Motors

3rd Position - DIVISION

6 Cadillac

4th Position - RESTRAINT SYSTEM

A Manual Belts
 B Automatic Belts
 C Air Bags

5th Position - CAR LINE & SERIES

B Fleetwood Brougham
 D DeVille
 F Fleetwood Limo
 G Cimarron
 L Eldorado
 S Seville
 Z Comm Chassis

6th & 7th Positions - BODY TYPE

23	4 Dr Sed	57	2 Dr Cpe
33	4 Dr Limo	69	4 Dr Sed
47	2 Dr Cpe	90	Comm Chassis

8th Position - ENGINE TYPE

B 4-122 (2.0) 2BC
 N 8-350 (5.7) Dsl-FI
 P 4-122 (2.0) TBI
 4 6-252 (4.1) 4BC
 6 8-368 (6.0) 4BC
 8 8-252 (4.1) DFI
 9 8-368 (6.0) DFI V8-6-4

9th Position - CHECK DIGIT

A single number or the letter "X" used to verify the accuracy of the VIN.

10th Position - MODEL YEAR

D 1983

11th Position - ASSEMBLY PLANT**12th thru 17th Positions - SEQUENCE NUMBER**

A sequential serial number assigned by the vehicle manufacturer.

1984 CADILLAC**1st Position - COUNTRY**

1 United States
 2 Canada

2nd Position - MANUFACTURER

G General Motors

3rd Position - DIVISION

6 Cadillac

4th Position - RESTRAINT SYSTEM

A Manual Belts

5th Position - CAR LINES & SERIES

F Fleetwood Limo
 G Cimarron
 L Eldorado
 M DeVille
 S Seville
 W Fleetwood Brougham
 Z Comm Chassis

6th & 7th Positions - BODY TYPE

23	4 Dr Sed	57	2 Dr Cpe
33	4 Dr Limo	69	4 Dr Sed
47	2 Dr Cpe	90	Comm Chassis

8th Position - ENGINE TYPE

B 4-122 (2.0) 2BC
 H 8-305 (5.0) 4BC

N 8-350 (5.7) Dsl-FI
 P 4-122 (2.0) TBI
 6 8-368 (6.0) 4BC
 8 8-252 (4.1) DFI
 9 8-368 (6.0) DFI V8-6-4

9th Position - CHECK DIGIT

A single number or the letter "X" used to verify the accuracy of the VIN.

10th Position - MODEL YEAR

E 1984

11th Position - ASSEMBLY PLANT**12th thru 17th Positions - SEQUENCE NUMBER**

A sequential serial number assigned by the vehicle manufacturer.

1985 CADILLAC**1st Position - COUNTRY**

1 United States
 2 Canada

2nd Position - MANUFACTURER

G General Motors

3rd Position - DIVISION

6 Cadillac

4th Position - CAR LINE

C DeVille (FWD)
 Fleetwood (FWD)
 D DeVille (RWD)
 Fleetwood (RWD)
 E Eldorado
 J Cimarron
 K Seville

5th Position - SERIES

B Fleetwood (FWD)
 D DeVille (FWD)
 F Fleetwood Limo
 G Cimarron
 L Eldorado
 M DeVille (RWD)
 S Seville
 W Fleetwood Brougham (RWD)

6th & 7th Positions - BODY TYPE

23	4 Dr Limo	57	2 Dr Cpe
33	4 Dr Limo	69	4 Dr Sed
47	2 Dr Cpe	90	Funeral Coach

8th Position - ENGINE TYPE

N 8-350 (5.7) Dsl-FI
 P 4-122 (2.0) TBI
 T 6-262 (4.3) Dsl-FI
 W 6-173 (2.8) MFI
 8 8-252 (4.1) DEFI

9th Position - CHECK DIGIT

A single number or the letter "X" used to verify the accuracy of the VIN.

10th Position - MODEL YEAR

F 1985

11th Position - ASSEMBLY PLANT**12th thru 17th Positions - SEQUENCE NUMBER**

A sequential serial number assigned by the vehicle manufacturer.

1986 CADILLAC**1st Position - COUNTRY**

1 United States
 2 Canada

2nd Position - MANUFACTURER

G General Motors

3rd Position - DIVISION

6 Cadillac

4th Position - CAR LINE

C DeVille (FWD)
 Fleetwood (FWD)
 D DeVille (RWD)
 Fleetwood (RWD)
 E Eldorado
 J Cimarron
 K Seville

Cont.

1986 CADILLAC (Cont.)**5th Position - SERIES**

D Deville (FWD)
 G Cimarron
 H Fleetwood Limo
 L Eldorado
 R Allante
 S Seville
 W Fleetwood Brougham (RWD)

6th & 7th Positions - BODY TYPE

23 4 Dr Sed Limo
 33 4 Dr Sed Formal Limo
 47 2 Dr Cpe
 57 2 Dr Cpe
 69 4 Dr Sed
 90 Funeral Coach

8th Position - ENGINE TYPE

B 6-231 (3.8) SFI
 P 4-122 (2.0) TBI 85HP
 W 6-173 (2.8) MPFI 120HP
 8 8-250 (4.1) DEFI 135HP

9th Position - CHECK DIGIT

A single number or the letter "X" used to verify the accuracy of the VIN.

10th Position - MODEL YEAR

G 1986

11th Position - ASSEMBLY PLANT**12th thru 17th Positions - SEQUENCE NUMBER**

A sequential serial number assigned by the vehicle manufacturer.

1987 CADILLAC**1st Position - COUNTRY**

1 United States
 2 Canada

2nd Position - MANUFACTURER

G General Motors

3rd Position - DIVISION

6 Cadillac

4th & 5th Positions - CAR LINE & SERIES

CB Fleetwood (FWD) 4 Dr Sed
 CD Deville
 CH Fleetwood (FWD) 4 Dr Limo
 CS Fleetwood (FWD) 4 Dr Sed (Sixty Special)
 DW Fleetwood Brougham (RWD)
 EL Eldorado
 JG Cimarron
 KS Seville
 VR Allante

6th Position - BODY TYPE

1 2 Dr Cpe
 3 2 Dr Conv
 5 4 Dr Sed

7th Position - RESTRAINT SYSTEM

1 Manual Belts
 2 Manual Belts (Built in SFTY)
 3 Manual Belts (Built in SFTY - Driver Only)
 4 Automatic Belts

8th Position - ENGINE TYPE

W 6-173 (2.8) MFI 120HP
 Y 8-307 (5.0) 4BC 140HP
 7 8-250 (4.1) MPI 170HP
 8 8-250 (4.1) DEFI 135HP¹

¹DeVil & Fleetwood 130HP

9th Position - CHECK DIGIT

A single number or the letter "X" used to verify the accuracy of the VIN.

10th Position - MODEL YEAR

H 1987

11th Position - ASSEMBLY PLANT**12th thru 17th Positions - SEQUENCE NUMBER**

A sequential serial number assigned by the vehicle manufacturer.

1988 CADILLAC**1st Position - COUNTRY**

1 United States
 2 Canada

2nd Position - MANUFACTURER

G General Motors

3rd Position - DIVISION

6 Cadillac

4th & 5th Positions - CAR LINE & SERIES

CB Fleetwood (FWD) 4 Dr Sed
 CD DeVille
 CS Fleetwood (FWD) 4 Dr Sed (Sixty Special)
 CZ Commercial Chassis
 DW Fleetwood Brougham (RWD)
 EL Eldorado
 JG Cimarron
 KS Seville
 VR Allante

6th Position - BODY TYPE

1 2 Dr Cpe
 3 2 Dr Conv
 5 4 Dr Sed

7th Position - RESTRAINT SYSTEM

1 Manual Belts
 2 Manual Belts (Built in SFTY)
 3 Manual Belts (Built in SFTY - Driver Only)
 4 Automatic Belts

8th Position - ENGINE TYPE

W 6-173 (2.8) MFI 120HP
 Y 8-307 (5.0) 4BC 140HP
 5 8-273 (4.5)
 7 8-250 (4.1) MPI 170HP
 8 8-250 (4.1) DEFI 135HP¹

¹DeVil & Fleetwood 130HP

9th Position - CHECK DIGIT

A single number or the letter "X" used to verify the accuracy of the VIN.

10th Position - MODEL YEAR

J 1988

11th Position - ASSEMBLY PLANT**12th thru 17th Positions - SEQUENCE NUMBER**

A sequential serial number assigned by the vehicle manufacturer.

1989 CADILLAC**1st Position - COUNTRY**

1 United States
 2 Canada

2nd Position - MANUFACTURER

G General Motors

3rd Position - DIVISION

6 Cadillac

4th & 5th Positions - CAR LINE & SERIES

CB Fleetwood (FWD) D'Elegance
 CD DeVille
 CS Fleetwood (FWD) Sixty Special
 CZ Commercial Chassis
 DW Fleetwood Brougham (RWD)
 EL Eldorado
 KS Seville
 VR Allante

6th Position - BODY TYPE

1 2 Dr Cpe
 3 2 Dr Conv
 5 4 Dr Sed

7th Position - RESTRAINT SYSTEM

1 Manual Belts
 2 Manual Belts (Certified)
 3 Manual Belts (Driver Inflatable)
 4 Automatic Belts

8th Position - ENGINE TYPE

Y 8-307 (5.0) 4BC 140HP
 5 8-273 (4.5) DFI¹ 155HP
 8 8-273 (4.5) TPF² 200HP

¹Digital Fuel Inj (Throttle Body)

²Tuned Port Fuel Inj (Multi-Port)

9th Position - CHECK DIGIT

A single number or the letter "X" used to verify the accuracy of the VIN.

10th Position - MODEL YEAR

K 1989

11th Position - ASSEMBLY PLANT**12th thru 17th Positions - SEQUENCE NUMBER**

A sequential serial number assigned by the vehicle manufacturer.

1990 CADILLAC**1st Position - COUNTRY**

1 United States
 2 Canada

2nd Position - MANUFACTURER

G General Motors

3rd Position - DIVISION

6 Cadillac

4th & 5th Positions - CAR LINE & SERIES

CB Fleetwood D'Elegance
 CD DeVille
 CS Fleetwood Sixty Special
 CZ Commercial Chassis
 DW Fleetwood Brougham
 EL Eldorado
 KS Seville
 VR Allante

6th Position - BODY TYPE

1 2 Dr Cpe
 3 2 Dr Conv
 5 4 Dr Sed

7th Position - RESTRAINT SYSTEM

1 Manual Belts
 2 Manual Belts (Certified)
 3 Manual Belts (Driver Inflatable)
 4 Automatic Belts

8th Position - ENGINE TYPE

Y 8-307 (5.0) 4BC
 3 8-273 (4.5) SFI
 7 8-350 (5.7) TBI
 8 8-273 (4.5) TPF¹
 9 8-307 (5.0) 4BC (Armor equipped vehicle)

9th Position - CHECK DIGIT

A single number or the letter "X" used to verify the accuracy of the VIN.

10th Position - MODEL YEAR

L 1990

11th Position - ASSEMBLY PLANT**12th thru 17th Positions - SEQUENCE NUMBER**

A sequential serial number assigned by the vehicle manufacturer.

1991-92 CADILLAC**1st Position - COUNTRY**

1 United States
 2 Canada

2nd Position - MANUFACTURER

G General Motors

3rd Position - DIVISION

6 Cadillac

4th & 5th Positions - CAR LINE & SERIES

CB Fleetwood D'Elegance
 CD DeVille
 CG Fleetwood Sixty Special
 CZ Commercial Chassis
 DW Fleetwood Brougham
 EL Eldorado
 KS Seville
 VR Allante

6th Position - BODY TYPE

1 2 Dr Cpe
 3 2 Dr Conv
 5 4 Dr Sed

7th Position - RESTRAINT SYSTEM

1 Manual Belts
 2 Manual Belts (w/ Air Bag) (Certified)
 3 Manual Belts
 4 Automatic Belts

8th Position - ENGINE TYPE

B 8-300 (4.9) SFI
 E 8-307 (5.0) TBI
 7 8-350 (5.7) TBI
 8 8-273 (4.5) SFI

9th Position - CHECK DIGIT

A single number or the letter "X" used to verify the accuracy of the VIN.

10th Position - MODEL YEAR

M 1991
 N 1992

11th Position - ASSEMBLY PLANT**12th thru 17th Positions - SEQUENCE NUMBER**

A sequential serial number assigned by the vehicle manufacturer.

Cont.

VEHICLE IDENTIFICATION

VIN DECODING

GENERAL MOTORS

1993 CADILLAC

1st Position - COUNTRY
 1 United States
 2 Canada

2nd Position - MANUFACTURER
 G General Motors

3rd Position - DIVISION
 6 Cadillac

4th & 5th Positions - CAR LINE & SERIES
 CB Sixty Special
 CD DeVille
 CT DeVille Touring Sedan
 DW Fleetwood Brougham
 EL Eldorado
 KS Seville
 KY Seville Touring Sedan (STS)
 VS Allante Convertible

6th Position - BODY TYPE
 1 2 Dr Cpe
 3 2 Dr Conv
 5 4 Dr Sed

7th Position - RESTRAINT SYSTEM
 1 Manual Belts
 2 Manual Belts (w/Pass & Driver Air Bag)
 3 Manual Belts (w/ Driver Air Bag)
 4 Automatic Belts
 5 Automatic Belts (w/Driver Air Bag)

8th Position - ENGINE TYPE
 B 8-300 (4.9) MPFI
 Y 8-281 (4.6) MPFI
 7 8-350 (5.7) TBI
 9 8-281 (4.9) MPFI

9th Position - CHECK DIGIT
 A single number or the letter "X" used to verify the accuracy of the VIN.

10th Position - MODEL YEAR
 P 1993

11th Position - ASSEMBLY PLANT

12th thru 17th Positions - SEQUENCE NUMBER
 A sequential serial number assigned by the vehicle manufacturer.

1994-2005 CADILLAC

1st Position - COUNTRY
 1 United States
 5 United States
 2 Canada
 W Germany

2nd Position - MANUFACTURER
 G General Motors

3rd Position - DIVISION
 6 Cadillac

4th & 5th Positions - CAR LINE & SERIES
 DC STS
 DM CTS (94-04) 2005 - 6DM-CTS
 DN CTS-V (03) (04) DN-CTSI, (05) 6DN-CTSI
 DR (2004) CTS, RHD
 DP STS
 6DR (2005) CTS, RHD
 DW Fleetwood Brougham
 DW STS
 EL Eldorado
 ET Eldorado Touring
 KD DeVille
 KE D'Elegance/DHS (04-05) - KE = Deville Luxury
 KF Concours/DTS (04-05) - KF = Deville Touring
 KS Seville (SLS)
 KY Seville Touring Sedan (STS)
 VR Catera
 YV XLR (04-05) = Y-XLR

6th Position - BODY TYPE
 V 2 Dr Conv
 1 2 Dr Cpe
 3 2 Dr Convertible
 5 4 Dr Sed
 6 2 Dr Conv
 6 4 Dr Sed

7th Position - RESTRAINT SYSTEM
 1 Manual Belts
 2 Manual Belts (Dual Air Bags)
 3 Manual Belts (Driver Air Bag)
 4 Automatic Belts 87-96, (Dual Front, Side Air Bags), Manual Belts 97-05
 5 Automatic Belts (Driver Air Bag)
 6 Manual Belts (Dual Front, Side Air Bags), Automatic Belts (Dual Air Bags)
 7 Manual Belts (Dual Front, Front Side & Rear Side Air Bags)

8th Position - ENGINE TYPE
 A 4.6 L V8 SFI DOHC
 B 8-300 (4.9) MPFI
 M 2.6 L V6 SFI Gas
 N 3.2 L V6 SFI Gas
 P 5.7 L V8 SFI
 R 6-181 (3.0) TBI
 S 5.7 L V8 SFI HO
 T 2.8 L V6 SFI DOHC
 Y 4.6 L V8 MFI DOHC
 7 3.6 L V6 SFI HO DOHC
 9 4.6 L V8 MFI HO DOHC

9th Position - CHECK DIGIT
 A single number or the letter "X" used to verify the accuracy of the VIN.

10th Position - MODEL YEAR

R	1994	W	1998	2	2002
S	1995	X	1999	3	2003
T	1996	Y	2000	4	2004
V	1997	1	2001	5	2005

11th Position - ASSEMBLY PLANT

12th thru 17th Positions - SEQUENCE NUMBER
 A sequential serial number assigned by the vehicle manufacturer.

2006-07 CADILLAC

1st Position - COUNTRY
 1 United States

2nd Position - MANUFACTURER
 G General Motors

3rd Position - MAKE
 6 Cadillac

4th & 5th Positions - CAR LINE & SERIES
 DX STS V
 D/W-DIC STS
 H9 Limousine
 H0 Hearse
 KF Fleet, Base, Premium, Luxury, Luxury Sport
 Y XLR, XLR-V
 6DM CTS
 6DN CTSI
 6DR CTS RHD
 6DP CTS High Feature V6

6th Position - BODY TYPE
 3 2 Dr Conv
 5 4 Dr Sed

7th Position - RESTRAINT SYSTEM
 2 Active Manual Belts (Dual Front Air Bags)
 4 Active Manual Belts (Dual Front & Side Air Bags) (XLR)
 7 Active Manual Belts (Dual Front & Side Air Bags)
 7 Manual Belts (Dual Front & Side Air Bags) Roof & Occupant Sensor (XLR)

8th Position - ENGINE TYPE
 A 4.6 L V8 SFI RPO (LH2)
 D 4.4 L V8 MFI DOHC SC (LC3) Alumn GM
 T 2.8 L V6 SFI DOHC RPO (LP1)
 U 6.0 L V8 SFI RPO (LS2) Alumn GM
 7 3.6 L V6 SFI DOHC RPO (LY7)
 9 4.6 L V8 MFI HO DOHC RPO (L37)
 Y 4.6 L V8 MFI DOHC RPO (LD8)

9th Position - CHECK DIGIT
 A single number or the letter "X" used to verify the accuracy of the VIN.

10th Position - MODEL YEAR
 6 - 2006 7 - 2007

11th Position - ASSEMBLY PLANT

12th thru 17th Positions - SEQUENCE NUMBER
 A sequential serial number assigned by the vehicle manufacturer.

CHEVROLET DIVISION

1974 CHEVROLET

1st Position - DIVISION
 1 Chevrolet

2nd Position - CAR LINE & SERIES
 C Malibu Std
 El Camino Std
 D Malibu Classic
 El Camino Custom
 E Laguna Type S-3
 G Malibu Classic Estate
 H Monte Carlo
 K Bel Air
 L Impala
 N Caprice
 Q Camaro Sports Cpe
 S Camaro Type LT
 V Vega
 X Nova Std
 Y Nova Custom
 Z Corvette

3rd & 4th Positions - BODY TYPE

05	2 Dr Panel	39	4 Dr HT
11	2 Dr Sed	45	4 Dr S/W, 3 Seat
15	2 Dr S/W	47	2 Dr Sed
17	2 Dr HB	57	2 Dr HT

27	2 Dr Sed	67	2 Dr Conv
29	4 Dr Sed	69	4 Dr Sed
35	4 Dr S/W, Chevelle	77	2 Dr HB
	4 Dr S/W, 2 Seat Chevrolet	80	2 Dr Pickup
		87	2 Dr Cpe
37	2 Dr Cpe		

5th Position - ENGINE TYPE

A	4-140 (2.3)	1BC	75HP
B	4-140 (2.3)	2BC	85HP
D	6-250 (4.1)	1BC	100HP
H	8-350 (5.7)	2BC	145HP
J	8-350 (5.7)	4BC	195HP
K	8-350 (5.7)	4BC	185HP
L	8-350 (5.7)	4BC	160HP
R	8-400 (6.6)	2BC	150HP
T	8-350 (5.7)	4BC	245HP
U	8-400 (6.6)	4BC	180HP
Y	8-454 (7.4)	4BC	235HP
Z	8-454 (7.4)	4BC	270HP

6th Position - MODEL YEAR
 4 1974

7th Position - ASSEMBLY PLANT

8th thru 13th Positions - SEQUENCE NUMBER
 A sequential serial number assigned by the vehicle manufacturer.

1975 CHEVROLET

1st Position - DIVISION
 1 Chevrolet

2nd Position - CAR LINE & SERIES
 C Malibu Std
 El Camino Std
 D Malibu Classic
 El Camino Classic
 E Laguna Type S-3
 G Malibu Classic Estate
 H Monte Carlo
 K Bel Air
 L Impala
 M Monza Town Cpe
 N Chevrolet Caprice
 Q Camaro Sports Cpe
 R Monza 2+2
 S Camaro Type LT
 V Vega
 X Nova Std
 Y Nova Custom
 Nova LN
 Z Corvette

1975 CHEVROLET (Cont.)**3rd & 4th Positions - BODY TYPE**

05	2 Dr Panel
11	2 Dr Sed
15	2 Dr S/W
17	2 Dr HB
27	2 Dr Sed
29	4 Dr Sed
35	4 Dr S/W, Chevelle
	4 Dr S/W, 2 Seat Chevrolet
37	2 Dr Cpe
39	4 Dr HT
45	4 Dr S/W, 3 Seat
47	2 Dr Sed
57	2 Dr Cpe
67	2 Dr Conv
69	4 Dr Sed
77	2 Dr HB
80	2 Dr Pickup
87	2 Dr Cpe

5th Position - ENGINE TYPE

A	4-140 (2.3)	1BC	78HP
B	4-140 (2.3)	2BC	87HP
D	6-250 (4.1)	1BC	105HP
E	4-122 (2.0)	EFI	120HP
G	8-262 (4.3)	2BC	110HP
H	8-350 (5.7)	2BC	145HP
J	8-350 (5.7)	4BC	165HP
L	8-350 (5.7)	4BC	205HP
T	8-350 (5.7)	4BC	205HP
U	8-400 (6.6)	4BC	175HP
Y	8-454 (7.4)	4BC	215HP

6th Position - MODEL YEAR

5 1975

7th Position - ASSEMBLY PLANT**8th thru 13th Positions - SEQUENCE NUMBER**

A sequential serial number assigned by the vehicle manufacturer.

1976 CHEVROLET**1st Position - DIVISION**

1 Chevrolet

2nd Position - CAR LINE & SERIES

B	Chevette exc Scooter
C	Malibu Std
	El Camino Std
D	Malibu Classic
	El Camino Classic
E	Laguna Type S-3
G	Malibu Classic Estate
H	Monte Carlo S
J	Chevette Scooter
L	Impala
M	Monza Town Cpe
N	Caprice
Q	Camaro Sports Cpe
R	Monza 2+2
S	Camaro Type LT
V	Vega
X	Nova Std
Y	Nova Concours
Z	Corvette

3rd & 4th Positions - BODY TYPE

07	2 Dr HB
08	2 Dr HB
11	2 Dr Sed
15	2 Dr S/W
17	2 Dr HB
27	2 Dr Cpe
29	4 Dr Sed
35	4 Dr S/W, Chevelle
	4 Dr S/W, 2 Seat Chevrolet
37	2 Dr Cpe
39	4 Dr HT
45	4 Dr S/W, 3 Seat
47	2 Dr Sed
57	2 Dr Cpe
69	4 Dr Sed
77	2 Dr HB
80	2 Dr Pickup
87	2 Dr Cpe

5th Position - ENGINE TYPE

A	4-140 (2.3)	1BC	70HP
B	4-140 (2.3)	2BC	84HP
D	6-250 (4.1)	1BC	105HP

E	4-98 (1.6)	1BC	60HP
G	8-262 (4.3)	2BC	110HP
I	4-85 (1.4)	1BC	52HP
L	8-350 (5.7)	4BC	165HP
O	4-122 (2.0)	EFI	110HP
Q	8-305 (5.0)	2BC	140HP
S	8-454 (7.4)	4BC	225HP
U	8-400 (6.6)	4BC	175HP
V	8-350 (5.7)	2BC	145HP
X	8-350 (5.7)	4BC	210HP

6th Position - MODEL YEAR

6 1976

7th Position - ASSEMBLY PLANT**8th thru 13th Positions - SEQUENCE NUMBER**

A sequential serial number assigned by the vehicle manufacturer.

1977 CHEVROLET**1st Position - DIVISION**

1 Chevrolet

2nd Position - CAR LINE & SERIES

B	Chevette exc Scooter
C	Malibu Std
	El Camino Std
D	Malibu Classic
	El Camino Classic
H	Monte Carlo
J	Chevette Scooter
K	Bel Air (Canada)
L	Impala
M	Monza Town Cpe
N	Caprice Classic
Q	Camaro Sports Cpe
R	Monza 2+2
S	Camaro Type LT
V	Vega
X	Nova Std
Y	Nova Concours
Z	Corvette

3rd & 4th Positions - BODY TYPE

07	2 Dr HB	37	2 Dr Cpe
08	2 Dr HB	47	2 Dr Cpe
11	2 Dr Sed	57	2 Dr Cpe
15	2 Dr S/W	69	4 Dr Sed
17	2 Dr HB	77	2 Dr HB
27	2 Dr Cpe	80	2 Dr Pickup
29	4 Dr Sed	87	2 Dr Cpe
35	4 Dr S/W		

5th Position - ENGINE TYPE

B	4-140 (2.3)	2BC	84HP
D	6-250 (4.1)	1BC	110HP
E	4-98 (1.6)	1BC	63HP
I	4-85 (1.4)	1BC	57HP
L	8-350 (5.7)	4BC	170HP
U	8-305 (5.0)	2BC	145HP
X	8-350 (5.7)	4BC	210HP

6th Position - MODEL YEAR

7 1977

7th Position - ASSEMBLY PLANT**8th thru 13th Positions - SEQUENCE NUMBER**

A sequential serial number assigned by the vehicle manufacturer.

1978 CHEVROLET**1st Position - DIVISION**

1 Chevrolet

2nd Position - CAR LINE & SERIES

B	Chevette exc Scooter
J	Chevette Scooter
K	Bel Air (Canada)
L	Impala
M	Monza Std, Monza S
N	Caprice Classic
Q	Camaro Sports Cpe
	Camaro Z-28
R	Monza 2+2, Monza Sport
S	Camaro Type LT
T	Malibu Std
W	Malibu Classic
	El Camino
X	Nova Std
Y	Nova Custom & Rally
Z	Corvette (Body Type 87)
	Monte Carlo (Body Type 37)

3rd & 4th Positions - BODY TYPE

07	2 Dr HB	37	2 Dr Cpe
08	2 Dr HB	47	2 Dr Cpe
15	2 Dr S/W	68	4 Dr HB
17	2 Dr HB	69	4 Dr Sed
19	4 Dr Sed	77	2 Dr HB
27	2 Dr Cpe	80	2 Dr Pickup
35	4 Dr S/W	87	2 Dr Cpe

5th Position - ENGINE TYPE

A	6-231 (3.8)	2BC	105HP	Buick Blt
C	6-196 (3.2)	2BC	90HP	Buick Blt
D	6-250 (4.1)	1BC	110HP	
E	4-98 (1.6)	1BC	63HP	
H	8-350 (5.7)	4BC	220HP	
J	4-98 (1.6)	1BC	68HP	
L	8-350 (5.7)	4BC	170HP	
M	6-200 (3.3)	2BC	95HP	
U	8-305 (5.0)	2BC	145HP	
V	4-151 (2.5)	2BC	85HP	Pont Blt ¹
1	4-151 (2.5)	2BC	85HP	Pont Blt ²

¹w/o Elect Cont Carb²w/ Elect Cont Carb**6th Position - MODEL YEAR**

8 1978

7th Position - ASSEMBLY PLANT**8th thru 13th Positions - SEQUENCE NUMBER**

A sequential serial number assigned by the vehicle manufacturer.

1979 CHEVROLET**1st Position - DIVISION**

1 Chevrolet

2nd Position - CAR LINE & SERIES

B	Chevette exc Scooter
J	Chevette Scooter
L	Impala
M	Monza, Monza S
N	Caprice Classic
Q	Camaro Sports Cpe
	Camaro Z-28
R	Monza 2+2, Monza Sport
S	Camaro Berlinetta
T	Malibu Std
W	Malibu Classic
	El Camino
X	Nova Std
Y	Nova Custom
Z	Corvette (Body Type 87)
	Monte Carlo (Body Type 37)

3rd & 4th Positions - BODY TYPE

07	2 Dr HB	37	2 Dr Cpe
08	2 Dr HB	47	2 Dr Cpe
15	2 Dr S/W	68	4 Dr HB
17	2 Dr HB	69	4 Dr Sed
19	4 Dr Sed	80	2 Dr Pickup
27	2 Dr Cpe	87	2 Dr Cpe
35	4 Dr S/W		

5th Position - ENGINE TYPE

A	6-231 (3.8)	2BC	Buick Blt	105HP
C	6-196 (3.2)	2BC	Buick Blt	
D	6-250 (4.1)	1BC		110HP
E	4-98 (1.6)	2BC		63HP
G	8-305 (5.0)	2BC		
H	8-305 (5.0)	4BC		
J	8-267 (4.4)	2BC		
L	8-350 (5.7)	4BC		170HP
M	6-200 (3.3)	2BC		
O	4-98 (1.6)	2BC		
V	4-151 (2.5)	2BC	Pont Blt ¹	87HP
1	4-151 (2.5)	2BC	Pont Blt ²	
2	6-231 (3.8)	2BC	Buick Blt	
4	8-350 (5.7)	4BC		
8	8-350 (5.7)	4BC		
9	4-151 (2.5)	2BC	Pont Blt ³	

¹w/o Elect Cont Carb²w/Elect Cont Carb, w/o Cross Flow Head³w/Elect Cont Carb, w/Cross Flow Head**6th Position - MODEL YEAR**

9 1979

7th Position - ASSEMBLY PLANT**8th thru 13th Positions - SEQUENCE NUMBER**

A sequential serial number assigned by the vehicle manufacturer.

Cont.

VEHICLE IDENTIFICATION

VIN DECODING

GENERAL MOTORS

1980 CHEVROLET

1st Position - DIVISION

1 Chevrolet

2nd Position - CAR LINE & SERIES

B Chevette exc Scooter
H Citation Custom
J Chevette Scooter
L Impala
M Monza Std
N Caprice Classic
P Camaro Sport Cpe
R Monza 2+2
S Camaro Berlinetta
T Malibu Std
W Malibu Classic
El Camino
X Citation
Z Corvette (Body Type 87)
Monte Carlo (Body Type 37)

3rd & 4th Positions - BODY TYPE

07 2 Dr HB 37 2 Dr Cpe
08 2 Dr HB 47 2 Dr Cpe
11 2 Dr Cpe 68 4 Dr HB
19 4 Dr Sed 69 4 Dr Sed
27 2 Dr Cpe 80 2 Dr Pickup
35 4 Dr S/W 87 2 Dr Cpe

5th Position - ENGINE TYPE

A 6-231 (3.8) 2BC Buick Blt
H 8-305 (5.0) 4BC
J 8-267 (4.4) 2BC
K 6-229 (3.8) 2BC
L 8-350 (5.7) 4BC
N 8-350 (5.7) Dsl Olds Blt
T 8-301 (4.9) 4BC
V 4-151 (2.5) 2BC Pont Blt
0 4-98 (1.6) 2BC High Output
3 6-231 (3.8) 4BC Buick Blt Turbo
5 4-151 (2.5) 2BC Pont Blt
6 8-350 (5.7) 4BC
7 6-173 (2.8) 2BC
8 8-350 (5.7) 4BC
9 4-98 (1.6) 2BC

6th Position - MODEL YEAR

A 1980

7th Position - ASSEMBLY PLANT

8th thru 13th Positions - SEQUENCE NUMBER

A sequential serial number assigned by the vehicle manufacturer.

1981 CHEVROLET

1st Position - COUNTRY

1 United States
2 Canada

2nd Position - MANUFACTURER

G General Motors

3rd Position - DIVISION

1 Chevrolet

4th Position - RESTRAINT SYSTEM

A Manual Belts
B Automatic Belts
C Air Bags

5th Position - CAR LINE & SERIES

B Chevette exc Scooter
J Chevette Scooter
L Impala
N Caprice Classic
P Camaro Sport Cpe
S Camaro Berlinetta
T Malibu Std
W Malibu Classic
El Camino
X Citation
Y Corvette
Z Monte Carlo

6th & 7th Positions - BODY TYPE

08 2 Dr HB 68 4 Dr HB
27 2 Dr Cpe 69 4 Dr Sed
35 4 Dr S/W 80 2 Dr Pickup
37 2 Dr Cpe 87 2 Dr Cpe
47 2 Dr Cpe

8th Position - ENGINE TYPE

A 6-231 (3.8) 2BC Buick Blt
D 4-110 (1.8) Dsl Isuzu Blt

H 8-305 (5.0) 4BC
J 8-267 (4.4) 2BC
K 6-229 (3.8) 2BC
L 8-350 (5.7) 4BC
N 8-350 (5.7) Dsl Olds Blt
X 6-173 (2.8) 2BC 115HP
Z 6-173 (2.8) 2BC 135HP
3 6-231 (3.8) 4BC Buick Blt Turbo
5 4-151 (2.5) 2BC Pont Blt
6 8-350 (5.7) 4BC
9 4-98 (1.6) 2BC

9th Position - CHECK DIGIT

A single number or the letter "X" used to verify the accuracy of the VIN.

10th Position - MODEL YEAR

B 1981

11th Position - ASSEMBLY PLANT

12th thru 17th Positions - SEQUENCE NUMBER

A sequential serial number assigned by the vehicle manufacturer.

1982 CHEVROLET

1st Position - COUNTRY

1 United States
2 Canada

2nd Position - MANUFACTURER

G General Motors

3rd Position - DIVISION

1 Chevrolet

4th Position - RESTRAINT SYSTEM

A Manual Belts
B Automatic Belts
C Air Bags

5th Position - CAR LINE & SERIES

B Chevette exc Scooter
D Cavalier exc HB
E Cavalier HB
H Citation exc HB
J Chevette Scooter
L Impala
N Caprice Classic
P Camaro Sport Cpe
S Camaro Berlinetta
W Celebrity (Body Type 19-27)
Malibu Classic (Body Type 35-69)
El Camino (Body Type 80)
X Citation HB
Y Corvette
Z Monte Carlo

6th & 7th Positions - BODY TYPE

07 2 Dr HB 47 2 Dr Cpe
08 2 Dr HB 68 4 Dr HB
11 2 Dr Cpe 69 4 Dr Sed
19 4 Dr Sed 77 2 Dr HB
27 2 Dr Cpe 80 2 Dr Pickup
35 4 Dr S/W 87 2 Dr Cpe
37 2 Dr Cpe

8th Position - ENGINE TYPE

A 6-231 (3.8) 2BC Buick Blt
B 4-122 (2.0) 2BC
C 4-98 (1.6) 2BC
D 4-110 (1.8) Dsl Isuzu Blt
G 4-112 (1.8) 2BC
H 8-305 (5.0) 4BC
J 8-267 (4.4) 2BC
K 6-229 (3.8) 2BC
L 8-350 (5.7) 4BC
N 8-350 (5.7) Dsl Olds Blt
R 4-151 (2.5) TBI
T 6-262 (4.3) Dsl Olds Blt
V 6-262 (4.3) Dsl Olds Blt
X 6-173 (2.8) 2BC 115HP
Z 6-173 (2.8) 2BC 135HP
1 6-173 (2.8) 2BC
2 4-151 (2.5) TBI
3 6-231 (3.8) 4BC
5 4-151 (2.5) 2BC
7 8-305 (5.0) TBI
8 8-350 (5.7) TBI

9th Position - CHECK DIGIT

A single number or the letter "X" used to verify the accuracy of the VIN.

10th Position - MODEL YEAR

C 1982

11th Position - ASSEMBLY PLANT

12th thru 17th Positions - SEQUENCE NUMBER

A sequential serial number assigned by the vehicle manufacturer.

1983 CHEVROLET

1st Position - COUNTRY

1 United States
2 Canada

2nd Position - MANUFACTURER

G General Motors

3rd Position - DIVISION

1 Chevrolet

4th Position - RESTRAINT SYSTEM

A Manual Belts
B Automatic Belts

5th Position - CAR LINE & SERIES

B Chevette exc Scooter
C Cavalier Cadet
D Cavalier exc HB
E Cavalier HB
H Citation Cpe
J Chevette Scooter
L Impala
N Caprice Classic
P Camaro Sport Cpe
S Camaro Berlinetta
W Celebrity (Body Type 19-27)
Malibu Classic (Body Type 35-69)
El Camino (Body Type 80)
X Citation HB
Y Corvette
Z Monte Carlo

6th & 7th Positions - BODY TYPE

08 2 Dr HB 68 4 Dr HB
11 2 Dr Cpe 69 4 Dr Sed
19 4 Dr Sed 77 2 Dr HB
27 2 Dr Cpe 80 2 Dr Pickup
35 4 Dr S/W 87 2 Dr Cpe
37 2 Dr Cpe

8th Position - ENGINE TYPE

A 6-231 (3.8) 2BC Buick Design
B 4-122 (2.0) 2BC
C 4-98 (1.6) 2BC
D 4-110 (1.8) Dsl Isuzu Design
F 4-151 (2.5) 2BC Pont Design
H 8-305 (5.0) 4BC
L 6-173 (2.8) 2BC
N 8-350 (5.7) Dsl Olds Design
P 4-122 (2.0) TBI
R 4-151 (2.5) TBI Pont Design
S 8-305 (5.0) TBI
T 6-262 (4.3) Dsl Olds Design
V 6-262 (4.3) Dsl Olds Design
X 6-173 (2.8) 2BC 115HP
Z 6-173 (2.8) 2BC 135HP
1 6-173 (2.8) 2BC
2 4-151 (2.5) TBI Pont Design
5 4-151 (2.5) 2BC Pont Design
6 8-350 (5.7) 4BC
7 8-305 (5.0) TBI
8 8-350 (5.7) TBI
9 6-229 (3.8) 2BC

9th Position - CHECK DIGIT

A single number or the letter "X" used to verify the accuracy of the VIN.

10th Position - MODEL YEAR

D 1983

11th Position - ASSEMBLY PLANT

12th thru 17th Positions - SEQUENCE NUMBER

A sequential serial number assigned by the vehicle manufacturer.

1984 CHEVROLET

1st Position - COUNTRY

1 United States
2 Canada

2nd Position - MANUFACTURER

G General Motors

3rd Position - DIVISION

1 Chevrolet

1984 CHEVROLET (Cont.)**4th Position - RESTRAINT SYSTEM**

A Manual Belts

5th Position - CAR LINE & SERIES

B Chevette exc Scooter
 C Cavalier Cadet
 D Cavalier CS
 E Cavalier Type 10
 H Citation Cpe
 J Chevette Scooter
 L Impala
 N Caprice Classic
 P Camaro Sport Cpe
 S Camaro Berlinetta
 W Celebrity (Body Type 19-27-35)
 El Camino (Body Type 80)
 X Citation HB
 Y Corvette
 Z Monte Carlo

6th & 7th Positions - BODY TYPE

07	2 Dr HB	47	2 Dr Cpe
08	2 Dr HB	67	2 Dr Conv
11	2 Dr Cpe	68	4 Dr HB
19	4 Dr Sed	69	4 Dr Sed
27	2 Dr Cpe	77	2 Dr HB
35	4 Dr S/W	80	2 Dr Pickup
37	2 Dr Cpe	87	2 Dr Cpe

8th Position - ENGINE TYPE

A	6-231 (3.8)	2BC	Buick Design
B	4-122 (2.0)	2BC	
C	4-98 (1.6)	2BC	
D	4-110 (1.8)	Dsl	Isuzu Design
G	8-305 (5.0)	4BC	
H	8-305 (5.0)	4BC	
N	8-350 (5.7)	Dsl	Olds Design
P	4-122 (2.0)	TBI	
R	4-151 (2.5)	TBI	Pont Design
T	6-262 (4.3)	Dsl	Olds Design
X	6-173 (2.8)	2BC	115HP
Z	6-173 (2.8)	2BC	135HP
1	6-173 (2.8)	2BC	
2	4-151 (2.5)	TBI	Pont Design
6	8-350 (5.7)	4BC	
8	8-350 (5.7)	CFI	
9	6-229 (3.8)	2BC	

9th Position - CHECK DIGIT

A single number or the letter "X" used to verify the accuracy of the VIN.

10th Position - MODEL YEAR

E 1984

11th Position - ASSEMBLY PLANT**12th thru 17th Positions - SEQUENCE NUMBER**

A sequential serial number assigned by the vehicle manufacturer.

1985 CHEVROLET**1st Position - COUNTRY**

1 United States
 2 Canada
 J Japan

2nd Position - MANUFACTURER

G General Motors
 Y N.U.M.M.I.
 (New United Motors Manufacturing Inc.)

3rd Position - DIVISION

1 Chevrolet

4th Position - CAR LINE

A Celebrity
 B Caprice (RWD)
 Impala (RWD)
 F Camaro
 G El Camino (Body Type 80)
 Monte Carlo (Body Type 37)
 J Cavalier
 M Sprint
 R Spectrum
 S Nova (Venture)
 T Chevette
 X Citation
 Y Corvette

5th Position - SERIES

B Chevette exc Scooter
 C Cavalier Std
 D Cavalier CS

D Cavalier CS
 E Cavalier Conv & Type 10
 F Spectrum Level I
 G Spectrum Level II
 H Citation II Cpe
 J Chevette Scooter
 K Nova (TVX)
 L Impala
 N Caprice Classic
 P Camaro Sport Cpe
 R Sprint
 S Camaro Berlinetta
 W Celebrity (Body Type 19-27-35)
 El Camino (Body Type 80)
 X Citation
 Y Corvette
 Z Monte Carlo

6th & 7th Positions - BODY TYPE

07	2 Dr HB	47	2 Dr Cpe
08	2 Dr HB	67	2 Dr Conv
11	2 Dr Sed	68	4 Dr HB
19	4 Dr Sed	69	4 Dr Sed
27	2 Dr Cpe	77	2 Dr HB
35	4 Dr S/W	80	2 Dr Pickup
37	2 Dr Cpe	87	2 Dr Cpe

8th Position - ENGINE TYPE

A	6-231 (3.8)	2BC	
C	4-98 (1.6)	2BC	
D	4-110 (1.8)	Dsl	
F	8-305 (5.0)	MPFI	
G	8-305 (5.0)	4BC	HO
H	8-305 (5.0)	4BC	
N	8-350 (5.7)	Dsl	Olds Design
P	4-122 (2.0)	TBI	
R	4-151 (2.5)	TBI	Pont Design
S	6-173 (2.8)	MPFI	
T	6-262 (4.3)	Dsl	Olds Design
W	6-173 (2.8)	MPFI	
X	6-173 (2.8)	2BC	
Z	6-262 (4.3)	TBI	
2	4-151 (2.5)	TBI	Pont Design
4	4-98 (1.6)	2BC	Toyota Design
6	8-350 (5.7)	4BC	
8	8-350 (5.7)	TBI	

9th Position - CHECK DIGIT

A single number or letter "X" used to verify the accuracy of the VIN.

10th Position - MODEL YEAR

F 1985

11th Position - ASSEMBLY PLANT**12th thru 17th Positions - SEQUENCE NUMBER**

A sequential serial number assigned by the vehicle manufacturer.

1986 CHEVROLET**1st Position - COUNTRY**

J Japan
 1 United States
 2 Canada
 3 Mexico

2nd Position - MANUFACTURER

G General Motors
 Y N.U.M.M.I.
 (New United Motors Manufacturing Inc.)

3rd Position - DIVISION

C Chevrolet (El Camino)
 1 Chevrolet
 7 GM of Canada

4th Position - CAR LINE

A Celebrity
 B Caprice (RWD)
 F Camaro
 G El Camino (Body Type 80)
 Monte Carlo (Body Type 37)
 J Cavalier
 M Sprint
 R Spectrum
 S Nova (TVX - Venture)
 T Chevette
 Y Corvette

5th Position - SERIES

B Chevette CS
 C Cavalier Std
 D Cavalier CS

E Cavalier RS, Type 10
 F Cavalier Z24
 Spectrum Level I
 G Spectrum Level II
 J Chevette Scooter
 K Nova (TVX)
 L Caprice Std
 N Caprice Classic
 P Camaro Sport Cpe
 R Sprint
 S Camaro Berlinetta
 W Celebrity (Body Type 19-27-35)
 El Camino (Body Type 80)
 Y Corvette
 Z Monte Carlo

6th & 7th Positions - BODY TYPE

07	2 Dr HB	67	2 Dr Conv
08	2 Dr HB	68	4 Dr HB
19	4 Dr Sed	69	4 Dr Sed
27	2 Dr Cpe	77	2 Dr HB
35	4 Dr S/W	80	2 Dr Pickup
37	2 Dr Cpe	87	2 Dr Cpe
47	2 Dr Cpe		

8th Position - ENGINE TYPE

A	6-231 (3.8)	2BC	
C	4-98 (1.6)	2BC	
D	4-110 (1.8)	Dsl	Isuzu Design
F	8-305 (5.0)	MPFI	
G	8-305 (5.0)	4BC	
H	8-305 (5.0)	4BC	
P	4-122 (2.0)	TBI	
R	4-151 (2.5)	TBI	Pont Design
S	6-173 (2.8)	MPFI	
W	6-173 (2.8)	MPFI	
X	6-173 (2.8)	2BC	
Z	6-262 (4.3)	TBI	
2	4-151 (2.5)	TBI	Pont Design
4	4-98 (1.6)	2BC	Toyota Design
6	8-350 (5.7)	4BC	
8	8-350 (5.7)	MPFI	

9th Position - CHECK DIGIT

A single number or letter "X" used to verify the accuracy of the VIN.

10th Position - MODEL YEAR

G 1986

11th Position - ASSEMBLY PLANT**12th thru 17th Positions - SEQUENCE NUMBER**

A sequential serial number assigned by the vehicle manufacturer.

1987 CHEVROLET**1st Position - COUNTRY**

1 United States
 2 Canada
 3 Mexico

2nd Position - MANUFACTURER

G General Motors
 Y N.U.M.M.I.
 (New United Motors Manufacturing Inc.)

3rd Position - DIVISION

C Chevrolet (El Camino)
 1 Chevrolet
 7 GM of Canada

4th & 5th Positions - CAR LINE & SERIES

AW Celebrity
 BL Caprice Std
 BN Caprice Classic
 BU Caprice Brougham
 FP Camaro Sport
 GW El Camino
 GZ Monte Carlo
 JC Cavalier Std
 JD Cavalier CS
 JE Cavalier RS
 JF Cavalier Z24
 SK Nova
 TB Chevette CS
 YY Corvette

6th Position - BODY TYPE

1	2 Dr Cpe	5	4 Dr Sed
2	2 Dr HB	8	4 Dr S/W
3	2 Dr Conv		

VEHICLE IDENTIFICATION

VIN DECODING

GENERAL MOTORS

1987 CHEVROLET (Cont.)

7th Position - RESTRAINT SYSTEM

- 1 Manual Belts
- 2 Manual Belts (Built in SFTY)
- 3 Manual Belts (Built in SFTY - Driver Only)
- 4 Automatic Belts

8th Position - ENGINE TYPE

- C 4-98 (1.6) 2BC
- F 8-305 (5.0) MPFI
- G 8-305 (5.0) 4BC
- H 8-305 (5.0) 4BC
- K 8-350 (5.7) TBI
- M 4-122 (2.0) MPFI
- R 4-151 (2.5) TBI Pont Design
- S 6-173 (2.8) MPFI
- W 6-173 (2.8) MPFI
- Z 6-262 (4.3) TBI
- 1 4-122 (2.0) TBI
- 2 4-151 (2.5) TBI Pont Design
- 4 4-98 (1.6) 2BC Toyota Design
- 6 8-350 (5.7) 4BC
- 8 8-350 (5.7) MPFI

9th Position - CHECK DIGIT

A single number or letter "X" used to verify the accuracy of the VIN.

10th Position - MODEL YEAR

- H 1987

11th Position - ASSEMBLY PLANT

12th thru 17th Positions - SEQUENCE NUMBER

A sequential serial number assigned by the vehicle manufacturer.

1988 CHEVROLET

1st Position - COUNTRY

- 1 United States
- 2 Canada
- 3 Mexico

2nd Position - MANUFACTURER

- G General Motors
- Y N.U.M.M.I. (New United Motors Manufacturing Inc.)

3rd Position - DIVISION

- 1 Chevrolet
- 7 GM of Canada

4th & 5th Positions - CAR LINE & SERIES

- AW Celebrity
- BL Caprice Std
- BN Caprice Classic
- BU Caprice Brougham
- FP Camaro Sport
- GZ Monte Carlo
- JC Cavalier Std
- JD Cavalier CS
- JE Cavalier RS
- JF Cavalier Z24
- LT Corsica
- LV Beretta
- SK Nova
- YY Corvette

6th Position - BODY TYPE

- 1 2 Dr Cpe 5 4 Dr Sed
- 2 2 Dr HB 8 4 Dr S/W
- 3 2 Dr Conv

7th Position - RESTRAINT SYSTEM

- 1 Manual Belts
- 2 Manual Belts (Built in SFTY)
- 3 Manual Belts (Built in SFTY - Driver Only)
- 4 Automatic Belts

8th Position - ENGINE TYPE

- F 8-305 (5.0) MPFI
- G 8-305 (5.0) 4BC
- H 8-305 (5.0) 4BC
- R 4-151 (2.5) TBI Pont Design
- S 6-173 (2.8) MPFI
- W 6-173 (2.8) MPFI
- Y 8-307 (5.0) 4BC
- Z 6-262 (4.3) TBI
- 1 4-122 (2.0) TBI
- 2 4-151 (2.5) TBI Pont Design
- 4 4-98 (1.6) 2BC Toyota Design
- 6 8-350 (5.7) 4BC
- 8 8-350 (5.7) MPFI

9th Position - CHECK DIGIT

A single number or letter "X" used to verify the accuracy of the VIN.

10th Position - MODEL YEAR

- J 1988

11th Position - ASSEMBLY PLANT

12th thru 17th Positions - SEQUENCE NUMBER

A sequential serial number assigned by the vehicle manufacturer.

1989 CHEVROLET

1st Position - COUNTRY

- 1 United States
- 2 Canada
- 3 Mexico

2nd Position - MANUFACTURER

- G General Motors
- Y N.U.M.M.I. (New United Motors Manufacturing Inc.)

3rd Position - DIVISION

- 1 Chevrolet
- 7 GM of Canada

4th & 5th Positions - CAR LINE & SERIES

- AW Celebrity
- BL Caprice Std
- BN Caprice Classic
- BU Caprice Brougham
- FP Camaro
- JC Cavalier Std
- JF Cavalier Z24
- LT Corsica
- LV Beretta
- LW Beretta GT
- LZ Corsica LTZ
- S Prizm
- YY Corvette
- YZ Corvette ZR1

6th Position - BODY TYPE

- 1 2 Dr Cpe 5 4 Dr Sed
- 2 2 Dr HB 6 4 Dr HB
- 3 2 Dr Conv 8 4 Dr S/W

7th Position - RESTRAINT SYSTEM

- 1 Manual Belts
- 2 Manual Belts (Built in SFTY)
- 3 Manual Belts (Driver Inflatable)
- 4 Automatic Belts

8th Position - ENGINE TYPE

- E 8-305 (5.0) TBI
- F 8-305 (5.0) TPFI
- J 8-350 (5.7) MPFI
- R 4-151 (2.5) TBI
- S 6-173 (2.8) MPFI
- W 6-173 (2.8) MPFI
- Y 8-307 (5.0) 4BC
- Z 6-262 (4.3) TBI
- 1 4-122 (2.0) TBI
- 6 4-98 (1.6) MPFI
- 7 8-350 (5.7) TBI
- 8 8-350 (5.7) MPFI

9th Position - CHECK DIGIT

A single number or letter "X" used to verify the accuracy of the VIN.

10th Position - MODEL YEAR

- K 1989

11th Position - ASSEMBLY PLANT

12th thru 17th Positions - SEQUENCE NUMBER

A sequential serial number assigned by the vehicle manufacturer.

1990 CHEVROLET

1st Position - COUNTRY

- 1 United States
- 2 Canada
- 3 Mexico

2nd Position - MANUFACTURER

- G General Motors
- Y N.U.M.M.I. (New United Motors Manufacturing Inc.)

3rd Position - DIVISION

- 1 Chevrolet
- 7 GM of Canada

4th & 5th Positions - CAR LINE & SERIES

- AW Celebrity
- BL Caprice Std
- BN Caprice Classic
- BU Caprice Brougham
- FP Camaro
- JC Cavalier Std
- JF Cavalier Z24
- LT Corsica
- LV Beretta
- LW Beretta GT
- LZ Corsica LTZ
- WM Lumina
- YY Corvette
- YZ Corvette ZR1

6th Position - BODY TYPE

- 1 2 Dr Cpe 5 4 Dr Sed
- 2 2 Dr HB 8 4 Dr S/W
- 3 2 Dr Conv

7th Position - RESTRAINT SYSTEM

- 1 Manual Belts
- 2 Manual Belts (Built in SFTY)
- 3 Manual Belts (Driver Inflatable)
- 4 Automatic Belts

8th Position - ENGINE TYPE

- A 4-138 (2.3) MPFI
- E 8-305 (5.0) TBI
- F 8-305 (5.0) TPFI
- G 4-134 (2.2) TBI
- J 8-350 (5.7) MPFI
- R 4-151 (2.5) TBI
- T 6-189 (3.1) TBI
- Y 8-307 (5.0) 4BC
- Z 6-262 (4.3) TBI
- 7 8-350 (5.7) TBI
- 8 8-350 (5.7) MPFI

9th Position - CHECK DIGIT

A single number or letter "X" used to verify the accuracy of the VIN.

10th Position - MODEL YEAR

- L 1990

11th Position - ASSEMBLY PLANT

12th thru 17th Positions - SEQUENCE NUMBER

A sequential serial number assigned by the vehicle manufacturer.

1991 CHEVROLET

1st Position - COUNTRY

- 1 United States
- 2 Canada
- 3 Mexico
- J Japan

2nd Position - MANUFACTURER

- G General Motors
- Y N.U.M.M.I. (New United Motors Manufacturing Inc.)

3rd Position - DIVISION

- 1 Chevrolet
- 7 GM of Canada

4th & 5th Positions - CAR LINE & SERIES

- BL Caprice Std
- BN Caprice Classic
- FP Camaro
- JC Cavalier Std
- JF Cavalier Z24
- LT Corsica
- LV Beretta
- LW Beretta GT
- LZ Beretta
- WM Lumina
- YY Corvette
- YZ Corvette ZR1

6th Position - BODY TYPE

- 1 2 Dr Cpe 5 4 Dr Sed
- 2 2 Dr HB 8 4 Dr S/W
- 3 2 Dr Conv

7th Position - RESTRAINT SYSTEM

- 1 Manual Belts
- 2 Manual Belts (Built in SFTY)
- 3 Manual Belts (Driver Air Bag)
- 4 Automatic Belts

1991 CHEVROLET (Cont.)**8th Position - ENGINE TYPE**

A	4-138 (2.3)	MPFI
D	6-189 (3.1)	TBI
E	8-305 (5.0)	TBI
F	8-305 (5.0)	TPFI
G	4-134 (2.2)	TBI
J	8-350 (5.7)	MPFI
R	4-151 (2.5)	TBI
T	6-189 (3.1)	TBI
8	8-350 (5.7)	MPFI

9th Position - CHECK DIGIT

A single number or letter "X" used to verify the accuracy of the VIN.

10th Position - MODEL YEAR

M 1991

11th Position - ASSEMBLY PLANT**12th thru 17th Positions - SEQUENCE NUMBER**

A sequential serial number assigned by the vehicle manufacturer.

1992-93 CHEVROLET**1st Position - COUNTRY**

1	United States
2	Canada
J	Japan

2nd Position - MANUFACTURER

G General Motors

3rd Position - DIVISION

1 Chevrolet

4th & 5th Positions - CAR LINE & SERIES

BL	Caprice
FP	Camaro
JC	Cavalier Std
JF	Cavalier Z24
LT	Corsica
LV	Beretta
WM	Lumina
YY	Corvette
YZ	Corvette ZR1

6th Position - BODY TYPE

1	2 Dr Cpe	5	4 Dr Sed
2	2 Dr HB	8	4 Dr S/W
3	2 Dr Conv		

7th Position - RESTRAINT SYSTEM

1	Manual Belts
2	Manual Belts (Driver & Passenger Air Bag)
3	Manual Belts (Driver Air Bag)
4	Automatic Belts
5	Automatic Belts (w/Air Bag)

8th Position - ENGINE TYPE

A	4-138 (2.3)	MPFI
E	8-305 (5.0)	TBI
F	8-305 (5.0)	MPFI
J	8-350 (5.7)	MPFI
P	8-350 (5.7)	MPFI
R	4-151 (2.5)	TBI
T	6-189 (3.1)	MPFI
W	6-189 (3.1)	MPFI
X	6-207 (3.4)	MPFI
4	4-133 (2.2)	MPFI
7	8-350 (5.7)	TBI
8	8-350 (5.7)	MPFI

9th Position - CHECK DIGIT

A single number or letter "X" used to verify the accuracy of the VIN.

10th Position - MODEL YEAR

N 1992

P 1993

11th Position - ASSEMBLY PLANT**12th thru 17th Positions - SEQUENCE NUMBER**

A sequential serial number assigned by the vehicle manufacturer.

1994-95 CHEVROLET**1st Position - COUNTRY**

1	United States
2	Canada
J	Japan

2nd Position - MANUFACTURER

G General Motors

3rd Position - DIVISION

1 Chevrolet

4th & 5th Positions - CAR LINE & SERIES

BL	Caprice, Impala SS
FP	Camaro
JC	Cavalier Std
JF	Cavalier Z24
LT	Corsica
LV	Beretta
WL	Lumina
WM	Lumina, Monte Carlo
WN	Lumina Euro
WP	Lumina
YY	Corvette
YZ	Corvette ZR1

6th Position - BODY TYPE

1	2 Dr Cpe	5	4 Dr Sed
2	2 Dr HB	8	4 Dr S/W
3	2 Dr Conv		

7th Position - RESTRAINT SYSTEM

1	Manual Belts
2	Manual Belts (Driver & Passenger Air Bag)
3	Manual Belts (Driver Air Bag)
4	Automatic Belts
5	Automatic Belts (w/Air Bag)
6	Automatic Belts (Driver & Passenger Air Bag)

8th Position - ENGINE TYPE

D	4-138 (2.3)	MPFI
J	8-350 (5.7)	MPFI
K	6-231 (3.8)	SFI
M	6-189 (3.1)	SFI
P	8-350 (5.7)	MPFI
S	6-207 (3.4)	MPFI
T	6-189 (3.1)	MPFI
W	8-265 (4.3)	SFI
X	6-207 (3.4)	SFI
4	4-133 (2.2)	MPFI

9th Position - CHECK DIGIT

A single number or letter "X" used to verify the accuracy of the VIN.

10th Position - MODEL YEAR

R 1994

S 1995

11th Position - ASSEMBLY PLANT**12th thru 17th Positions - SEQUENCE NUMBER**

A sequential serial number assigned by the vehicle manufacturer.

1996-97 CHEVROLET**1st Position - COUNTRY**

1	United States
2	Canada
J	Japan

2nd Position - MANUFACTURER

G General Motors

3rd Position - DIVISION

1 Chevrolet

4th & 5th Positions - CAR LINE & SERIES

BL	Caprice, Impala SS (96)
FP	Camaro
JC	Cavalier Std
JF	Cavalier LS
JH	Cavalier LS Sport
LD	Corsica
LV	Beretta
ND	Malibu
NE	Malibu LS
WL	Lumina Std
WM	Lumina, Monte Carlo
WN	Lumina LS
WW	Monte Carlo LS
WX	Monte Carlo Z34
YY	Corvette

6th Position - BODY TYPE

1	2 Dr Cpe	5	4 Dr Sed
2	2 Dr HB	8	4 Dr S/W
3	2 Dr Conv		

7th Position - RESTRAINT SYSTEM

1	Manual Belts
2	Manual Belts (Dual Air Bags)
3	Manual Belts (Driver Air Bag)
4	Automatic Belts

5 Automatic Belts (w/Air Bag)

6 Automatic Belts (Dual Air Bags)

8th Position - ENGINE TYPE

K	6-231 (3.8)	SFI
M	6-191 (3.1)	SFI
P	8-350 (5.7)	SFI
T	4-146 (2.4)	SFI
X	6-207 (3.4)	SFI
4	4-133 (2.2)	SFI
5	8-350 (5.7)	SFI

9th Position - CHECK DIGIT

A single number or letter "X" used to verify the accuracy of the VIN.

10th Position - MODEL YEAR

T 1996 V 1997

11th Position - ASSEMBLY PLANT**12th thru 17th Positions - SEQUENCE NUMBER**

A sequential serial number assigned by the vehicle manufacturer.

1998-2005 CHEVROLET**1st Position - COUNTRY**

1	United States
2	Canada
3	Mexico
J	Japan
K	Korea
W	Germany

2nd Position - MANUFACTURER

G General Motors
L General Motors Daewoo Auto & Technology Company

3rd Position - DIVISION

1 Chevrolet

4th & 5th Positions - CAR LINE & SERIES

AJ	Cobalt
AK	Cobalt LVL 1
AL	Cobalt LVL 2
AM	Cobalt LVL 3
AP	Cobalt LVL 4
FP	Camaro
JC	Cavalier Std
JF	Cavalier LS
JH	Cavalier Z24
MR	Metro
ND	Malibu, Classic
NE	Malibu LS
SK	Prizm Std
SL	Prizm GSI
TD	Aveo Base
TJ	Aveo LS
TM	Aveo LT
WF	Impala
WH	Impala LS, LTZ
WL	Lumina Std
WM	Lumina, Monte Carlo
WN	Lumina LS
WW	Monte Carlo LS
WX	Monte Carlo Z34, SS
YY	Corvette (04-05)
YZ	Corvette
ZS	Malibu, Malibu "Maxx"
ZT	Malibu LS, Malibu "Maxx" LS
ZU	Malibu LT, Malibu "Maxx" LT

6th Position - BODY TYPE

1	2 Dr Cpe	6	4 Dr HB
2	2 Dr HB	8	4 Dr S/W
3	2 Dr Conv	9	4 Dr S/W
5	4 Dr Sed		

7th Position - RESTRAINT SYSTEM

1	Manual Belts
2	Manual Belts (Dual Air Bags)
3	Manual Belts (Driver Air Bag)
4	Dual Front, Side Air Bags
5	Automatic Belts (w/Air Bag)
6	Automatic Belts (Dual Air Bags), Manual Belts (Dual Front, Side Air Bags)
7	Manual Belts (Dual Front, Front Side & Rear Air Bags)
8	Manual Belts (Dual Front, Driver Side Air Bag)
9	Manual Belts (Front Air Bags w/Automatic Occupant Sensor)

Cont.

VEHICLE IDENTIFICATION

VIN DECODING

GENERAL MOTORS

1998-2005 CHEVROLET (Cont.)

8th Position - ENGINE TYPE

D	4-97 (1.6)	MFI	
E	6-207 (3.4)	MFI	
F	4-134 (2.2)	MFI	
G	8-350 (5.7)	MFI	
J	6-189 (3.1)	MFI	
K	6-231 (3.8)	MFI	
M	6-189 (3.1)	MFI	
P	4-122 (2.0)	MFI	w/Supercharger
S	8-350 (5.7)	MFI	
T	4-146 (2.4)	MFI	
U	8-364 (6.0)	MFI	
1	6-231 (3.8)	MFI	w/Supercharger
2	4-79 (1.3)	MFI	
4	4-134 (2.2L)	MFI	
6	3-61 (1.0)	TBI	
6	4-97 (1.6)	MFI	
6	4-134 (2.2)	MFI	
8	4-108 (1.8)	EFI	
8	6-213 (3.5)	MFI	

9th Position - CHECK DIGIT

A single number or letter "X" used to verify the accuracy of the VIN.

10th Position - MODEL YEAR

W	- 1998	1 - 2001	4 - 2004
X	- 1999	2 - 2002	5 - 2005
Y	- 2000	3 - 2003	

11th Position - ASSEMBLY PLANT

12th thru 17th Positions - SEQUENCE NUMBER

A sequential serial number assigned by the vehicle manufacturer.

2006-07 CHEVROLET

1st Position - COUNTRY

K	Korea
1	Canada
1	United States

2nd Position - MANUFACTURER

G	General Motors
L	General Motors Daewoo Auto & Technology Company

3rd Position - MAKE

A	GM Daewoo (KLA)
1	Chevrolet

4th & 5th Positions - CAR LINE & SERIES

AK	Cobalt LS
AL	Cobalt LT
AM	Cobalt SS
AP	Cobalt SSI
D	Aveo S, Base
D	Base, LS
G	LT
J	Aveo SE, LS, M
M	Aveo SX, X
S	Aveo S-Car T200
T	Aveo T-Car
U	U-car
V	V-car
WB	Impala Base, LS, LT
WC	Impala SS
WD	Monte Carlo Base, LS, LT, SS
YY	Corvette
ZS	Malibu LS
	Malibu "Maxx" LS
ZT	Malibu LT
	Malibu "Maxx" LT
ZU	Malibu LTZ
	Malibu "Maxx" LTZ
ZW	Malibu SS

6th Position - BODY TYPE

07	2 Dr Plain Back Cpe
67	2 Dr Conv
87	2 Dr Fast Back Special Z06
1	2 Dr Cpe (37)
1	4 Dr Sed (69)
2	2 Dr HB
2	2 Dr Sed
5	4 Dr HB
	4 Dr Sed (69) (Malibu)
	4 Dr Sed GM Style 197
6	5 Dr HB (Extended Sed), (68) (Malibu)
8	4 Dr Wagon (35)
9	4 Dr Wagon (75)

7th Position - RESTRAINT SYSTEM

1	Manual Belts - All Positions
2	Manual Belts (Dual Front Air Bags)
3	Manual Belts (Driver Front Air Bag)
4	Manual Belts (Dual Front & Side Air Bags)
5	Manual Belts (Dual Front Air Bags) (Driver Side Air Bag)
6	Manual Belts (Dual Front & Side Air Bags) Automatic Occupant Sensor (Passenger Front)
7	Manual Belts (Dual Front Air Bags) (Dual Front & Rear Side Air Bags)
8	Manual Belts (Driver Side Air Bag)
9	Manual Belts (Dual Front Air Bags) (Dual Front & Rear Side Air Bags) Automatic Occupant Sensor (Passenger Front)

8th Position - ENGINE TYPE

1	V6 3.5 L SFI Gas RPO (LZ4) Offset Bore GM
1	V6 3.5 L SFI Engine Flexible Fuel (Gas/Ethanol) RPO (LZE) Offset Bore GM
1	V6 3.9 L SFI RPO (L29) Offset Bore GM
B	I4 2.4 L MFI RPO (LE5)
C	V8 5.3 L SFI RPO (LS4) Alumn Cylinder Deactivation GM
E*	V8 7.0 L SFI (LS7) Alumn, (*Y Up to Sequence No. 100161) (Corvette)
F	I4 2.2 L MFI RPO (L61)
P	I4 2.0 L MFI RPO (LSJ) SC
U	V8 6.0 L SFI (LS2) Alumn (Corvette)
V	I4 1.5 L MPFI DOHC FAMI
Y	I4 1.5 L MPFI SOHC FAMI
3	I4 1.8 L MPFI DOHC FAMI
6	I4 1.6 L MPFI DOHC FAMI
8	I4 1.8 L MPFI SOHC FAMI
8	V6 3.9 L Gas RPO (LZ8) Offset Bore GM
8	V6 3.5 L SFI Gas RPO (LX9)

9th Position - CHECK DIGIT

A single number or letter "X" used to verify the accuracy of the VIN.

10th Position - MODEL YEAR

6	- 2006	7	- 2007
---	--------	---	--------

11th Position - ASSEMBLY PLANT

12th thru 17th Positions - SEQUENCE NUMBER

A sequential serial number assigned by the vehicle manufacturer.

OLDSMOBILE DIVISION

1974 OLDSMOBILE

1st Position - DIVISION

3	Oldsmobile
---	------------

2nd Position - CAR LINE & SERIES

B	Omega
F	Cutlass Std
G	Cutlass Std (4 Dr)
	Cutlass S (2 Dr)
H	Supreme S/W
J	Salon (Cpe, Sed)
	Supreme (Cpe, Sed)
	Vista Cruiser (S/W)
L	Delta 88 Std
N	Delta 88 Royale
Q	Custom Cruiser w/o wood grain trim
R	Custom Cruiser w/wood grain trim
T	98 Std
V	98 Luxury
X	98 Regency
Y	Toronado Custom
Z	Toronado Brougham

3rd & 4th Positions - BODY TYPE

17	2 Dr HB
27	2 Dr Sed
29	4 Dr Sed
35	4 Dr S/W, 2 Seat
37	2 Dr HT
39	4 Dr HT
45	4 Dr S/W, 3 Seat
47	2 Dr HT
57	2 Dr HT
67	2 Dr Conv
69	4 Dr Sed

5th Position - ENGINE TYPE

D	6-250 (4.1)	1BC	100HP
K	8-350 (5.7)	4BC	180HP

M	8-350 (5.7)	4BC	200HP
T	8-455 (7.4)	4BC	210HP
U	8-455 (7.4)	4BC	230HP
V	8-455 (7.4)	4BC	275HP
W	8-455 (7.4)	4BC	230HP

6th Position - MODEL YEAR

4	1974
---	------

7th Position - ASSEMBLY PLANT

8th thru 13th Positions - SEQUENCE NUMBER

A sequential serial number assigned by the vehicle manufacturer.

1975 OLDSMOBILE

1st Position - DIVISION

3	Oldsmobile
---	------------

2nd Position - CAR LINE & SERIES

B	Omega Std
C	Omega Salon
D	Starfire
F	Cutlass Std
G	Cutlass Std (4 Dr)
	Cutlass S (2 Dr)
H	Supreme S/W
J	Supreme (Cpe, Sed)
	Vista Cruiser (S/W)
K	Salon
L	Delta 88 Std
N	Delta 88 Royale
Q	Custom Cruiser w/o wood grain trim
R	Custom Cruiser w/wood grain trim
S	Omega F85
V	98 Luxury
W	Drive Away Chassis
X	98 Regency
Y	Toronado Custom
Z	Toronado Brougham

3rd & 4th Positions - BODY TYPE

07	2 Dr HB
17	2 Dr HB
27	2 Dr Sed
29	4 Dr Sed
35	4 Dr S/W, 2 Seat
37	2 Dr HT
39	4 Dr HT
45	4 Dr S/W, 3 Seat
57	2 Dr HT
67	2 Dr Conv
69	4 Dr Sed

5th Position - ENGINE TYPE

C	6-231 (3.8)	2BC	110HP	Buick Design
D	6-250 (4.1)	1BC	105HP	Chev Design
F	8-260 (4.3)	2BC	110HP	Olds Design
H	8-350 (5.7)	2BC	145HP	Buick Design
J	8-350 (5.7)	4BC	165HP	Buick Design
K	8-350 (5.7)	4BC	170HP	Olds Design
R	8-400 (6.6)	2BC	170HP	Pont Design
S	8-400 (6.6)	4BC	185HP	Pont Design
T	8-455 (7.4)	4BC	190HP	Olds Design
W	8-455 (7.4)	4BC	215HP	Olds Design

6th Position - MODEL YEAR

5	1975
---	------

7th Position - ASSEMBLY PLANT

8th thru 13th Positions - SEQUENCE NUMBER

A sequential serial number assigned by the vehicle manufacturer.

1976 OLDSMOBILE

1st Position - DIVISION

3	Oldsmobile
---	------------

2nd Position - CAR LINE & SERIES

B	Omega Std
D	Starfire SX
E	Omega Brougham
G	Cutlass S
H	Cutlass Supreme Cruiser (S/W)
J	Cutlass Supreme (Cpe, Sed)
	Vista Cruiser
K	Cutlass Salon
L	Delta 88
M	Cutlass Supreme Brougham
N	Delta 88 Royale
Q	Custom Cruiser w/o wood grain trim
R	Custom Cruiser w/wood grain trim
S	Omega F85

1976 OLDSMOBILE (Cont.)**2nd Position - CAR LINE & SERIES (Cont.)**

T Starfire Std
V 98 Luxury
X 98 Regency
Y Toronado Custom
Z Toronado Brougham

3rd & 4th Positions - BODY TYPE

07 2 Dr HB
17 2 Dr HB
27 2 Dr Cpe
29 4 Dr Sed
35 4 Dr S/W, 2 Seat
37 2 Dr HT
39 4 Dr HT
45 4 Dr S/W, 3 Seat
57 2 Dr HT
69 4 Dr Sed

5th Position - ENGINE TYPE

B	4-140 (2.3)	2BC	84HP	Chev Design
C	6-231 (3.8)	2BC	105HP	Buick Design
D	6-250 (4.1)	1BC	105HP	Chev Design
F	8-260 (4.3)	2BC	110HP	
H	8-350 (5.7)	2BC	140HP	Buick Design
J	8-350 (5.7)	4BC	165HP	Buick Design
R	8-350 (5.7)	4BC	170HP	
S	8-455 (7.4)	4BC	215HP	
T	8-455 (7.4)	4BC	190HP	

6th Position - MODEL YEAR

6 1976

7th Position - ASSEMBLY PLANT**8th thru 13th Position - SEQUENCE NUMBER**

A sequential serial number assigned by the vehicle manufacturer.

1977 OLDSMOBILE**1st Position - DIVISION**

3 Oldsmobile

2nd Position - CAR LINE & SERIES

B Omega Std
D Starfire SX
E Omega Brougham
G Cutlass S
H Vista Cruiser
J Cutlass Supreme
K Cutlass Salon
L Delta 88
M Cutlass Supreme Brougham
N Delta 88 Royale
Q Custom Cruiser Wagon
S Omega F85
T Starfire Std
V 98 Luxury
W Toronado XSR
X 98 Regency
Z Toronado Brougham

3rd & 4th Positions - BODY TYPE

07	2 Dr HB	35	4 Dr S/W
17	2 Dr HB	37	2 Dr Cpe
27	2 Dr Cpe	57	2 Dr Cpe
29	4 Dr Sed	69	4 Dr Sed

5th Position - ENGINE TYPE

A	6-231 (3.8)	2BC	105HP	Buick Design ¹
B	4-140 (2.3)	2BC	84HP	Chev Design
C	6-231 (3.8)	2BC	105HP	Buick Design ²
F	8-260 (4.3)	2BC	110HP	
G	8-350 (5.7)	2BC	150HP	Chev Design
K	8-403 (6.6)	4BC	185HP	
L	8-350 (5.7)	4BC	170HP	Chev Design
R	8-350 (5.7)	4BC	170HP	
U	8-305 (5.0)	2BC	145HP	Chev Design

¹Even Firing Design

²Odd Firing Design

6th Position - MODEL YEAR

7 1977

7th Position - ASSEMBLY PLANT**8th thru 13th Positions - SEQUENCE NUMBER**

A sequential serial number assigned by the vehicle manufacturer.

1978 OLDSMOBILE**1st Position - DIVISION**

3 Oldsmobile

2nd Position - CAR LINE & SERIES

B Omega Std
D Starfire SX
E Omega Brougham
G Cutlass Salon
H Cutlass Cruiser
J Cutlass Salon Brougham
K Cutlass Calais
L Delta 88
M Cutlass Supreme Brougham
N Delta 88 Royale
Q Custom Cruiser
R Cutlass Supreme
T Starfire Std
V 98 Luxury
W Toronado XSR
X 98 Regency
Z Toronado Brougham

3rd & 4th Positions - BODY TYPE

07	2 Dr HB	37	2 Dr Cpe
09	4 Dr Sed	47	2 Dr Cpe
17	2 Dr HB	57	2 Dr Cpe
27	2 Dr Cpe	69	4 Dr Sed
35	4 Dr S/W	87	2 Dr Cpe

5th Position - ENGINE TYPE

A	6-231 (3.8)	2BC	105HP	Buick Design
F	8-260 (4.3)	2BC	110HP	
H	8-305 (5.0)	4BC	160HP	Chev Design
K	8-403 (6.6)	4BC	185HP	
L	8-350 (5.7)	4BC	170HP	Chev Design
N	8-350 (5.7)	Dsl	120HP	
R	8-350 (5.7)	4BC	170HP	
U	8-305 (5.0)	2BC	145HP	Chev Design
V	4-151 (2.5)	2BC	85HP	Pont Design ¹
X	8-350 (5.7)	4BC	170HP	
1	4-151 (2.5)	2BC	85HP	Pont Design ²

¹w/o Elect Cont Carb

²w/Elect Cont Carb

6th Position - MODEL YEAR

8 1978

7th Position - ASSEMBLY PLANT**8th thru 13th Positions - SEQUENCE NUMBER**

A sequential serial number assigned by the vehicle manufacturer.

1979 OLDSMOBILE**1st Position - DIVISION**

3 Oldsmobile

2nd Position - CAR LINE & SERIES

B Omega Std
D Starfire SX
E Omega Brougham
G Cutlass Salon Std
Cutlass Cruiser
Cutlass 442
H Cutlass Cruiser Brougham
J Cutlass Salon Brougham
K Cutlass Calais
L Delta 88
M Cutlass Supreme Brougham
N Delta 88 Royale
Q Custom Cruiser
R Cutlass Supreme
T Starfire Std
V 98 Luxury
X Olds 98 Regency
Z Toronado Brougham

3rd & 4th Positions - BODY TYPE

07	2 Dr HB	37	2 Dr Cpe
09	4 Dr Sed	47	2 Dr Cpe
17	2 Dr HB	57	2 Dr Cpe
27	2 Dr Cpe	69	4 Dr Sed
35	4 Dr S/W	87	2 Dr Cpe

5th Position - ENGINE TYPE

A	6-231 (3.8)	2BC	Buick Design
F	8-260 (4.3)	2BC	
G	8-305 (5.0)	2BC	Chev Design
H	8-305 (5.0)	4BC	Chev Design
K	8-403 (6.6)	4BC	185HP
L	8-350 (5.7)	4BC	Chev Design
N	8-350 (5.7)	Dsl	

P	8-260 (4.3)	Dsl	
R	8-350 (5.7)	4BC	170HP
V	4-151 (2.5)	2BC	Pont Design ¹
Y	8-301 (5.0)	2BC	Pont Design
1	4-151 (2.5)	2BC	Pont Design ²
2	6-231 (3.8)	2BC	Buick Design
9	4-151 (2.5)	2BC	Pont Design ³

¹w/o Elect Cont Carb

²w/Elect Cont Carb, w/o Cross Flow Head

³w/Elect Cont Carb, w/Cross Flow Head

6th Position - MODEL YEAR

9 1979

7th Position - ASSEMBLY PLANT**8th thru 13th Positions - SEQUENCE NUMBER**

A sequential serial number assigned by the vehicle manufacturer.

1980 OLDSMOBILE**1st Position - DIVISION**

3 Oldsmobile

2nd Position - CAR LINE & SERIES

B Omega Std
D Starfire SX
E Omega Brougham
G Cutlass Std (4 Dr)
Cutlass Salon Std (2 Dr)
Cutlass Cruiser (S/W)
H Cutlass Cruiser Brougham
J Cutlass Salon Brougham
K Cutlass Calais
L Delta 88 Std
M Cutlass Supreme Brougham
N Delta 88 Royale
P Custom Cruiser
R Cutlass Supreme
T Starfire Std
V 98 Luxury
X 98 Regency
Y Delta 88 Brougham
Z Toronado

3rd & 4th Positions - BODY TYPE

07	2 Dr HB	57	2 Dr Cpe
35	4 Dr S/W	69	4 Dr Sed
37	2 Dr Cpe	87	2 Dr Cpe
47	2 Dr Cpe		

5th Position - ENGINE TYPE

A	6-231 (3.8)	2BC	Buick Design
F	8-260 (4.3)	2BC	
H	8-305 (5.0)	4BC	Chev Design
N	8-350 (5.7)	Dsl	
R	8-350 (5.7)	4BC	
V	4-151 (2.5)	2BC	Pont Design
Y	8-307 (5.0)	4BC	
5	4-151 (2.5)	2BC	Pont Design
7	6-173 (2.8)	2BC	Chev Design

6th Position - MODEL YEAR

A 1980

7th Position - ASSEMBLY PLANT**8th thru 13th Positions - SEQUENCE NUMBER**

A sequential serial number assigned by the vehicle manufacturer.

1981 OLDSMOBILE**1st Position - COUNTRY**

1 United States
2 Canada

2nd Position - MANUFACTURER

G General Motors

3rd Position - DIVISION

3 Oldsmobile

4th Position - RESTRAINT SYSTEM

A Manual Belts
B Automatic Belts
C Air Bags

5th Position - CAR LINE & SERIES

B Omega Std
E Omega Brougham
G Cutlass Salon
H Cutlass Cruiser Brougham
K Cutlass Calais
L Delta 88 Std

VEHICLE IDENTIFICATION

VIN DECODING

GENERAL MOTORS

1981 OLDSMOBILE (Cont.)**5th Position - CAR LINE & SERIES (Cont.)**

M	Cutlass Supreme Brougham
N	Delta 88 Royale
P	Custom Cruiser
R	Cutlass Supreme
V	98 Luxury
X	98 Regency
Y	Delta 88 Brougham
Z	Toronado

6th & 7th Positions - BODY TYPE

35	4 Dr S/W	57	2 Dr Cpe
37	2 Dr Cpe	69	4 Dr Sed
47	2 Dr Cpe		

8th Position - ENGINE TYPE

A	6-231 (3.8)	2BC	Buick Design
F	8-260 (4.3)	2BC	
H	8-305 (5.0)	4BC	
J	8-267 (4.4)	2BC	
N	8-350 (5.7)	Dsl	
X	6-173 (2.8)	2BC	Chev Design 115HP
Y	8-307 (5.0)	4BC	
Z	6-173 (2.8)	2BC	Chev Design 135HP
4	6-252 (4.1)	4BC	Buick Design
5	4-151 (2.5)	2BC	Pont Design

9th Position - CHECK DIGIT

A single number or the letter "X" used to verify the accuracy of the VIN.

10th Position - MODEL YEAR

B 1981

11th Position - ASSEMBLY PLANT**12th thru 17th Positions - SEQUENCE NUMBER**

A sequential serial number assigned by the vehicle manufacturer.

1982 OLDSMOBILE**1st Position - COUNTRY**

1	United States
2	Canada

2nd Position - MANUFACTURER

G General Motors

3rd Position - DIVISION

3 Oldsmobile

4th Position - RESTRAINT SYSTEM

A	Manual Belts
B	Automatic Belts
C	Air Bags

5th Positions - CAR LINE & SERIES

B	Omega SJ
C	Firenza
D	Firenza
E	Omega Brougham
G	Cutlass Ciera Std (FWD)
H	Cutlass Cruiser (RWD)
J	Cutlass Ciera LS (FWD)
K	Cutlass Calais (RWD)
L	Delta 88 Std
M	Cutlass Ciera Brougham (FWD)
	Cutlass Supreme Brougham (RWD)
N	Delta 88 Royale Std
P	Custom Cruiser
R	Cutlass Supreme (RWD)
W	98 Regency Brougham
X	98 Regency Std
Y	Delta 88 Royale Brougham
Z	Toronado Brougham

6th & 7th Positions - BODY TYPE

19	4 Dr Sed	47	2 Dr Cpe
27	2 Dr Cpe	57	2 Dr Cpe
35	4 Dr S/W	69	4 Dr Sed
37	2 Dr Cpe	77	2 Dr HB

8th Position - ENGINE TYPE

A	6-231 (3.8)	2BC	Buick Design
B	4-122 (2.0)	2BC	Chev Design
E	6-181 (3.0)	2BC	Buick Design
G	4-112 (1.8)	2BC	Chev Design
H	8-305 (5.0)	4BC	
J	8-267 (4.4)	2BC	
N	8-350 (5.7)	Dsl	
R	4-151 (2.5)	TBI	

T	6-262 (4.3)	Dsl	
V	6-262 (4.3)	Dsl	
X	6-173 (2.8)	2BC	Chev Design 115HP
Y	8-307 (5.0)	4BC	
Z	6-173 (2.8)	2BC	Chev Design 135HP
0	4-112 (1.8)	TBI	
4	6-252 (4.1)	4BC	Buick Design
5	4-151 (2.5)	2BC	
8	8-260 (4.3)	2BC	

9th Position - CHECK DIGIT

A single number or the letter "X" used to verify the accuracy of the VIN.

10th Position - MODEL YEAR

C 1982

11th Position - ASSEMBLY PLANT**12th thru 17th Positions - SEQUENCE NUMBER**

A sequential serial number assigned by the vehicle manufacturer.

1983 OLDSMOBILE**1st Position - COUNTRY**

1	United States
2	Canada

2nd Position - MANUFACTURER

G General Motors

3rd Position - DIVISION

3 Oldsmobile

4th Position - RESTRAINT SYSTEM

A	Manual Belts
B	Automatic Belts

5th Position - CAR LINE & SERIES

B	Omega Std
C	Firenza S
D	Firenza SX & LX
E	Omega Brougham
G	Cutlass Ciera Std (FWD)
H	Cutlass Cruiser (RWD)
J	Cutlass Ciera LS (FWD)
K	Cutlass Calais (RWD)
L	Delta 88 Std
M	Cutlass Ciera Brougham (FWD)
	Cutlass Supreme Brougham (RWD)
N	Delta 88 Royale Std
P	Custom Cruiser
R	Cutlass Supreme (RWD)
W	98 Regency Brougham
X	98 Regency Std
Y	Delta 88 Royale Brougham
Z	Toronado Brougham

6th & 7th Positions - BODY TYPE

19	4 Dr Sed	47	2 Dr Cpe
27	2 Dr Cpe	57	2 Dr Cpe
35	4 Dr S/W	69	4 Dr Sed
37	2 Dr Cpe	77	2 Dr HB

8th Position - ENGINE TYPE

A	6-231 (3.8)	2BC	Buick Design
B	4-122 (2.0)	2BC	Chev Design
E	6-181 (3.0)	2BC	Buick Design
H	8-305 (5.0)	4BC	Chev Design
N	8-350 (5.7)	Dsl	
P	4-122 (2.0)	TBI	Chev Design
R	4-151 (2.5)	TBI	Pont Design
T	6-262 (4.3)	Dsl	
V	6-262 (4.3)	Dsl	
X	6-173 (2.8)	2BC	Chev Design 115HP
Y	8-307 (5.0)	4BC	
Z	6-173 (2.8)	2BC	Chev Design 135HP
0	4-112 (1.8)	TBI	Pont Design
4	6-252 (4.1)	4BC	Buick Design
5	4-151 (2.5)	2BC	Pont Design
9	8-307 (5.0)	4BC	

9th Position - CHECK DIGIT

A single number or the letter "X" used to verify the accuracy of the VIN.

10th Position - MODEL YEAR

D 1983

11th Position - ASSEMBLY PLANT**12th thru 17th Positions - SEQUENCE NUMBER**

A sequential serial number assigned by the vehicle manufacturer.

1984 OLDSMOBILE**1st Position - COUNTRY**

1	United States
2	Canada

2nd Position - MANUFACTURER

G General Motors

3rd Position - DIVISION

3 Oldsmobile

4th Position - RESTRAINT SYSTEM

A Manual Belts

5th Position - CAR LINE & SERIES

B	Omega Std
C	Firenza Std
D	Firenza LX & SX
E	Omega Brougham
F	98 Regency Std
H	98 Regency Brougham
J	Cutlass Ciera LS (FWD)
K	Cutlass Calais (RWD)
L	Delta 88 Std
M	Cutlass Ciera Brougham (FWD)
	Cutlass Supreme Brougham (RWD)
N	Delta 88 Royale
P	Custom Cruiser
R	Cutlass Supreme (RWD)
Y	Delta 88 Royale Brougham
Z	Toronado Brougham

6th & 7th Positions - BODY TYPE

19	2 Dr Sed	47	2 Dr Cpe
27	2 Dr Cpe	57	2 Dr Cpe
35	4 Dr S/W	69	4 Dr Sed
37	2 Dr Cpe	77	2 Dr HB

8th Position - ENGINE TYPE

A	6-231 (3.8)	2BC	Buick Design
B	4-122 (2.0)	2BC	Chev Design
E	6-181 (3.0)	2BC	Buick Design
H	8-305 (5.0)	4BC	Chev Design
N	8-350 (5.7)	Dsl	
P	4-122 (2.0)	TBI	
R	4-151 (2.5)	TBI	Pont Design
T	6-262 (4.3)	Dsl	
V	6-262 (4.3)	Dsl	
X	6-173 (2.8)	2BC	Chev Design 115HP
Y	8-307 (5.0)	4BC	
Z	6-173 (2.8)	2BC	Chev Design 135HP
0	4-112 (1.8)	TBI	Pont Design
3	6-231 (3.8)	MPFI	
4	6-252 (4.1)	4BC	Buick Design
9	8-307 (5.0)	4BC	

9th Position - CHECK DIGIT

A single number or the letter "X" used to verify the accuracy of the VIN.

10th Position - MODEL YEAR

E 1984

11th Position - ASSEMBLY PLANT**12th thru 17th Positions - SEQUENCE NUMBER**

A sequential serial number assigned by the vehicle manufacturer.

1985 OLDSMOBILE**1st Position - COUNTRY**

1	United States
2	Canada

2nd Position - MANUFACTURER

G General Motors

3rd Position - DIVISION

3 Oldsmobile

4th Position - CAR LINE

A	Cutlass Ciera
B	Delta 88 (RWD)
	Custom Cruiser (RWD)
C	98 Regency (FWD)
D	98 Regency (RWD)
E	Toronado
G	Cutlass
J	Firenza
N	Calais

Cont.

1985 OLDSMOBILE (Cont.)**5th Position - SERIES**

C Firenza Std
 D Firenza LX & SX
 F Calais Std
 G 98 Regency (RWD)
 H 98 Regency Brougham (RWD)
 J Cutlass Ciera LS
 K Cutlass Calais
 M Cutlass Ciera Brougham (FWD)
 N Cutlass Supreme Brougham (RWD)
 O Delta 88 Royale
 P Custom Cruiser
 R Cutlass Supreme
 T Calais Supreme
 W 98 Regency Brougham (FWD)
 X 98 Regency (FWD)
 Y Delta 88 Royale Brougham
 Z Toronado Brougham

6th & 7th Positions - BODY TYPE

11	2 Dr Sed	47	2 Dr Cpe
19	4 Dr Sed	57	2 Dr Cpe
27	2 Dr Cpe	69	4 Dr Sed
35	4 Dr S/W	77	2 Dr HB
37	2 Dr Cpe		

8th Position - ENGINE TYPE

A	6-231 (3.8)	2BC	Buick Design
E	6-181 (3.0)	2BC	Buick Design
H	8-305 (5.0)	4BC	
L	6-181 (3.0)	MPFI	
N	8-350 (5.7)	Dsl	
P	4-122 (2.0)	TBI	Chev Design
R	4-151 (2.5)	TBI	Pont Design
T	6-262 (4.3)	Dsl	
U	4-151 (2.5)	TBI	Pont Design
V	6-262 (4.3)	Dsl	
W	6-173 (2.8)	MPFI	
X	6-173 (2.8)	2BC	
Y	8-307 (5.0)	4BC	
0	4-112 (1.8)	TBI	Pont Design
3	6-231 (3.8)	MPFI	
7	6-262 (4.3)	Dsl	High Output
9	8-307 (5.0)	4BC	

9th Position - CHECK DIGIT

A single number or the letter "X" used to verify the accuracy of the VIN.

10th Position - MODEL YEAR

F 1985

11th Position - ASSEMBLY PLANT**12th thru 17th Positions - SEQUENCE NUMBER**

A sequential serial number assigned by the vehicle manufacturer.

1986 OLDSMOBILE**1st Position - COUNTRY**

1 United States
 2 Canada

2nd Position - MANUFACTURER

G General Motors

3rd Position - DIVISION

3 Oldsmobile

4th Position - CAR LINE

A Cutlass Ciera
 B Custom Cruiser (RWD)
 C 98 Regency (FWD)
 D 98 Regency (RWD)
 E Toronado
 G Cutlass
 H Delta 88
 J Firenza
 N Calais

5th Position - SERIES

C Firenza Std
 D Firenza LX & SX
 F Calais Std, ES & GT
 J Cutlass Ciera ES, GT & LS
 K Cutlass Calais
 M Cutlass Ciera Brougham (FWD)
 N Cutlass Supreme Brougham (RWD)
 O Delta 88 Royale
 P Custom Cruiser
 R Cutlass Supreme

T Calais Supreme
 W 98 Regency Brougham (FWD)
 X 98 Regency (FWD)
 Y Delta 88 Royale Brougham
 Z Toronado Brougham

6th & 7th Positions - BODY TYPE

11	2 Dr Cpe	47	2 Dr Cpe
19	4 Dr Sed	57	2 Dr Cpe
27	2 Dr Cpe	69	4 Dr Sed
35	4 Dr S/W	77	2 Dr HB
37	2 Dr Cpe		

8th Position - ENGINE TYPE

A	6-231 (3.8)	2BC	Buick Design
B	6-231 (3.8)	MPFI	
H	8-305 (5.0)	4BC	
J	4-112 (1.8)	TBI	
L	6-181 (3.0)	TBI	
O	4-112 (1.8)	TBI	
P	4-122 (2.0)	TBI	
R	4-151 (2.5)	TBI	
U	4-151 (2.5)	TBI	
W	6-173 (2.8)	MPFI	
X	6-173 (2.8)	2BC	Chev Design
Y	8-307 (5.0)	4BC	
0	4-112 (1.8)	TBI	
3	6-231 (3.8)	MPFI	
9	8-307 (5.0)	4BC	

9th Position - CHECK DIGIT

A single number or the letter "X" used to verify the accuracy of the VIN.

10th Position - MODEL YEAR

G 1986

11th Position - ASSEMBLY PLANT**12th thru 17th Positions - SEQUENCE NUMBER**

A sequential serial number assigned by the vehicle manufacturer.

1987 OLDSMOBILE**1st Position - COUNTRY**

1 United States
 2 Canada

2nd Position - MANUFACTURER

G General Motors

3rd Position - DIVISION

3 Oldsmobile

4th & 5th Positions - CAR LINE & SERIES

AJ Ciera ES, GT & LS
 AM Ciera Brougham
 BP Custom Cruiser
 CW 98 Regency Brougham
 CX 98 Regency
 EZ Toronado Brougham
 GK Cutlass Salon & 442
 GM Cutlass Supreme Brougham
 GR Cutlass Supreme
 HN Delta 88 Royale
 HY Delta 88 Royale Brougham
 JC Firenza Std & S
 JD Firenza GT, LC & LX
 NF Calais Std, ES & GT
 NT Calais Supreme

6th Position - BODY TYPE

1	2 Dr Cpe	5	4 Dr Sed
2	2 Dr HB	8	4 Dr S/W

7th Position - RESTRAINT SYSTEM

1 Manual Belts
 2 Manual Belts (Built in SFTY)
 3 Manual Belts (Built in SFTY - Driver Only)
 4 Automatic Belts

8th Position - ENGINE TYPE

A	6-231 (3.8)	2BC	Buick Design
K	4-122 (2.0)	TBI	
L	6-181 (3.0)	MPFI	
R	4-151 (2.5)	TBI	
U	4-151 (2.5)	TBI	
W	6-173 (2.8)	MPFI	
Y	8-307 (5.0)	4BC	
1	4-122 (2.0)	TBI	
3	6-231 (3.8)	MPFI	
9	8-307 (5.0)	4BC	

9th Position - CHECK DIGIT

A single number or the letter "X" used to verify the accuracy of the VIN.

10th Position - MODEL YEAR

H 1987

11th Position - ASSEMBLY PLANT**12th thru 17th Positions - SEQUENCE NUMBER**

A sequential serial number assigned by the vehicle manufacturer.

1988 OLDSMOBILE**1st Position - COUNTRY**

1 United States
 2 Canada

2nd Position - MANUFACTURER

G General Motors

3rd Position - DIVISION

3 Oldsmobile

4th & 5th Positions - CAR LINE & SERIES

AJ Ciera S & LS
 AM Ciera Brougham
 AS Ciera GT
 BP Custom Cruiser
 CW 98 Regency Brougham
 CX 98 Regency
 EZ Toronado Brougham
 GK Cutlass Salon & 442
 GM Cutlass Supreme Brougham
 GR Cutlass Supreme
 HN Delta 88 Royale
 HY Delta 88 Royale Brougham
 JC Firenza Std & S
 JD Firenza GT, LC & LX
 NF Calais Std, ES & GT
 NK Calais International
 NT Calais Supreme
 WH Cutlass Supreme
 WR Cutlass Supreme International
 WS Cutlass Supreme SL

6th Position - BODY TYPE

1	2 Dr Cpe	5	4 Dr Sed
2	2 Dr HB	8	4 Dr S/W

7th Position - RESTRAINT SYSTEM

1 Manual Belts
 2 Manual Belts (Built in SFTY)
 3 Manual Belts (Built in SFTY - Driver Only)
 4 Automatic Belts

8th Position - ENGINE TYPE

A	6-231 (3.8)	2BC	Buick Design
C	6-231 (3.8)	MPFI	
D	4-138 (2.3)	TBI	
K	4-122 (2.0)	TBI	
L	6-181 (3.0)	TBI	
R	4-151 (2.5)	TBI	
U	4-151 (2.5)	TBI	
W	6-173 (2.8)	MPFI	
Y	8-307 (5.0)	4BC	
1	4-122 (2.0)	TBI	
3	6-231 (3.8)	MPFI	

9th Position - CHECK DIGIT

A single number or the letter "X" used to verify the accuracy of the VIN.

10th Position - MODEL YEAR

J 1988

11th Position - ASSEMBLY PLANT**12th thru 17th Positions - SEQUENCE NUMBER**

A sequential serial number assigned by the vehicle manufacturer.

1989 OLDSMOBILE**1st Position - COUNTRY**

1 United States
 2 Canada

2nd Position - MANUFACTURER

G General Motors

3rd Position - DIVISION

3 Oldsmobile

4th & 5th Positions - CAR LINE & SERIES

AJ Ciera S & LS
 AM Ciera Brougham
 AS Ciera GT
 BP Custom Cruiser
 CV Regency Touring
 CW 98 Regency Brougham
 CX 98 Regency

VEHICLE IDENTIFICATION

VIN DECODING

GENERAL MOTORS

1989 OLDSMOBILE (Cont.)**4th & 5th Positions - CAR LINE & SERIES (Cont.)**

EV Trofeo
 EZ Toronado Brougham
 HN Delta 88 Royale
 HY Delta 88 Royale Brougham
 NF Calais S
 NK Calais International
 NL Calais
 NT Calais Supreme
 WH Cutlass Supreme
 WM Cutlass
 WR Cutlass Supreme International
 WS Cutlass Supreme SL

6th Position - BODY TYPE

1 2 Dr Cpe 5 4 Dr Sed
 2 2 Dr HB 8 4 Dr S/W

7th Position - RESTRAINT SYSTEM

1 Manual Belts
 2 Manual Belts (Built in SFTY)
 3 Manual Belts (Built in SFTY - Driver Only)
 4 Automatic Belts

8th Position - ENGINE TYPE

A 6-231 (3.8) 2BC Buick Design
 C 6-231 (3.8) MPFI
 D 4-138 (2.3) TBI
 N 6-204 (3.3) TBI
 R 4-151 (2.5) TBI
 T 6-189 (3.1) TBI
 U 4-151 (2.5) TBI
 W 6-173 (2.8) MPFI Chev Design
 Y 8-307 (5.0) 4BC

9th Position - CHECK DIGIT

A single number or the letter "X" used to verify the accuracy of the VIN.

10th Position - MODEL YEAR

K 1989

11th Position - ASSEMBLY PLANT**12th thru 17th Positions - SEQUENCE NUMBER**

A sequential serial number assigned by the vehicle manufacturer.

1990 OLDSMOBILE**1st Position - COUNTRY**

1 United States
 2 Canada

2nd Position - MANUFACTURER

G General Motors

3rd Position - DIVISION

3 Oldsmobile

4th & 5th Positions - CAR LINE & SERIES

AJ Cutlass Ciera
 Cutlass Cruiser
 AM Cutlass Ciera SL
 Cutlass Cruiser SL
 AS Cutlass Ciera GT
 BP Custom Cruiser
 CV 98 Regency Touring
 CW 98 Regency Brougham
 CX 98 Regency
 EV Toronado Trofeo
 EZ Toronado
 HN 88 Royale
 HY 88 Royale Brougham
 NF Calais S
 NK Calais GT International
 NL Calais
 NT Calais SL
 WH Cutlass Supreme
 WM Cutlass
 WR Cutlass International
 WS Cutlass SL
 WT Cutlass Supreme (Conv)

6th Position - BODY TYPE

1 2 Dr Cpe 5 4 Dr Sed
 2 2 Dr HB 6 3 Dr Van
 3 2 Dr Conv 8 4 Dr S/W

7th Position - RESTRAINT SYSTEM

1 Manual Belts
 2 Manual Belts (Built in SFTY)
 3 Manual Belts (Driver Air Bag)
 4 Automatic Belts

8th Position - ENGINE TYPE

A 4-138 (2.3) MPFI
 C 6-231 (3.8) MPFI
 D 4-138 (2.3) TBI
 D 6-189 (3.1) MPFI
 N 6-204 (3.3) MPFI
 R 4-151 (2.5) TBI
 T 6-189 (3.1) MPFI
 U 4-151 (2.5) TBI
 Y 8-307 (5.0) 4BC

9th Position - CHECK DIGIT

A single number or the letter "X" used to verify the accuracy of the VIN.

10th Position - MODEL YEAR

L 1990

11th Position - ASSEMBLY PLANT**12th thru 17th Positions - SEQUENCE NUMBER**

A sequential serial number assigned by the vehicle manufacturer.

1991 OLDSMOBILE**1st Position - COUNTRY**

1 United States
 2 Canada
 J Japan

2nd Position - MANUFACTURER

G General Motors

3rd Position - DIVISION

3 Oldsmobile

4th & 5th Positions - CAR LINE & SERIES

AJ Cutlass Ciera
 Cutlass Cruiser
 AM Cutlass Ciera SL
 Cutlass Cruiser SL
 BP Custom Cruiser S/W
 CV 98 Touring
 CX 98 Regency
 EZ Toronado Trofeo
 HN Delta 88 Royale
 HY Delta 88 Brougham
 NF Calais S
 NK Calais GT International
 NT Calais SL
 WH Cutlass Supreme
 WR Cutlass International
 WS Cutlass SL
 WT Cutlass Supreme (Conv)

6th Position - BODY TYPE

1 2 Dr Cpe 5 4 Dr Sed
 2 2 Dr HB 8 4 Dr S/W
 3 2 Dr Conv

7th Position - RESTRAINT SYSTEM

1 Manual Belts
 2 Manual Belts (Built in SFTY)
 3 Manual Belts (Driver Air Bag)
 4 Automatic Belts

8th Position - ENGINE TYPE

A 4-138 (2.3) MPFI
 C 6-231 (3.8) MPFI
 D 4-138 (2.3) TBI
 D 6-189 (3.1) MPFI
 E 8-305 (5.0) TBI
 L 6-231 (3.8) MPFI
 N 6-204 (3.3) MPFI
 R 4-151 (2.5) TBI
 T 6-189 (3.1) MPFI
 U 4-151 (2.5) TBI
 X 6-207 (3.4) MPFI

9th Position - CHECK DIGIT

A single number or the letter "X" used to verify the accuracy of the VIN.

10th Position - MODEL YEAR

M 1991

11th Position - ASSEMBLY PLANT**12th thru 17th Positions - SEQUENCE NUMBER**

A sequential serial number assigned by the vehicle manufacturer.

1992-93 OLDSMOBILE**1st Position - COUNTRY**

1 United States
 2 Canada
 J Japan

2nd Position - MANUFACTURER

G General Motors

3rd Position - DIVISION

3 Oldsmobile

4th & 5th Positions - CAR LINE & SERIES

AJ Cutlass Ciera
 AM Cutlass Cruiser
 BP Custom Cruiser S/W
 CV 98 Touring Sedan
 CX 98 Regency
 EZ Toronado Trofeo
 HN 88 Royale
 HY 88 Royale LS
 NF Achieva SL
 NL Achieva S
 WM Cutlass

6th Position - BODY TYPE

1 2 Dr Cpe 5 4 Dr Sed
 3 2 Dr Conv 8 4 Dr S/W

7th Position - RESTRAINT SYSTEM

1 Manual Belts
 2 Manual Belts (w/Pass & Driver Air Bag)
 3 Manual Belts (w/Driver Air Bag)
 4 Automatic Belts
 5 Automatic Belts (w/Driver Air Bag)

8th Position - ENGINE TYPE

A 4-138 (2.3) MPFI
 D 4-138 (2.3) MPFI
 E 8-305 (5.0) TBI
 L 6-231 (3.8) MPFI
 N 6-204 (3.3) MPFI
 R 4-151 (2.5) TBI
 T 6-189 (3.1) MPFI
 X 6-207 (3.4) MPFI
 1 6-231 (3.8) MPFI
 3 4-138 (2.3) MPFI

9th Position - CHECK DIGIT

A single number or the letter "X" used to verify the accuracy of the VIN.

10th Position - MODEL YEAR

N 1992
 P 1993

11th Position - ASSEMBLY PLANT**12th thru 17th Positions - SEQUENCE NUMBER**

A sequential serial number assigned by the vehicle manufacturer.

1994-2004 OLDSMOBILE**1st Position - COUNTRY**

1 United States
 5 United States
 2 Canada
 J Japan

2nd Position - MANUFACTURER

G General Motors

3rd Position - DIVISION

3 Oldsmobile

4th & 5th Positions - CAR LINE & SERIES

AJ Cutlass Ciera
 AM Cutlass Cruiser
 CX 98 Regency
 CW 98 Regency Elite
 EZ Toronado Trofeo
 GR Aurora
 GS Aurora
 HC 88 Regency
 HN 88 Royale
 HY LSS (97-99)
 NB Cutlass (97-99)
 NG Cutlass (97-99)
 NF Achieva
 Alero GLS
 NK Alero GX
 Alero
 Alero Level I

Cont.

1994-2004 OLDSMOBILE(Cont.)**4th & 5th Positions - CAR LINE & SERIES (Cont.)**

NL Achieva
Alero GL
Alero GX
Alero Level II
WH Cutlass Supreme "S"
WH Intrigue (98-00)
Intrigue GX (01-02)
WM Cutlass (94-96)
WR Cutlass Supreme International
WT Cutlass Supreme Convertible
WS Intrigue GL
WX Intrigue GLS

6th Position - BODY TYPE

1 2 Dr Cpe 5 4 Dr Sed
3 2 Dr Conv 8 4 Dr S/W

7th Position - RESTRAINT SYSTEM

1 Manual Belts
2 Manual Belts (Dual Air Bags)
3 Manual Belts (Driver Air Bag)
4 Automatic Belts 1994-96
Manual Belts (Dual Front & Front Side Air Bags) 1997-2002
5 Automatic Belts (Driver Air Bag) 1994-96
Manual Belts (Dual Front & Front Side Air Bags) 2001-2002
6 Automatic Belts (Driver Air Bag) 1994-96
Manual Belts (Dual Front & Front Side Air Bags) 2001-2002
7 Manual Belts (Dual Front, Front Side & Rear Side Air Bags)

8th Position - ENGINE TYPE

A 4-138 (2.3) MPFI
C 8-244 (4.0) MFI
D 4-138 (2.3) MPFI
E 6-207 (3.4L) MFI
F 4-134 (2.2) MFI
H 6-211 (3.5L) MFI
J 6-189 (3.1) SFI
K 6-231 (3.8) MFI
L 6-231 (3.8) MPFI
M 6-189 (3.1) MPFI
R 6-207 (3.4) MFI
T 4-146 (2.4) MPFI
X 6-207 (3.4) MPFI
1 6-231 (3.8) SFI w/Supercharger
3 4-138 (2.3) MPFI
4 4-134 (2.2) MPFI

9th Position - CHECK DIGIT

A single number or the letter "X" used to verify the accuracy of the VIN.

10th Position - MODEL YEAR

R - 1994 W - 1998 2 - 2002
S - 1995 X - 1999 3 - 2003
T - 1996 Y - 2000 4 - 2004
V - 1997 1 - 2001

11th Position - ASSEMBLY PLANT**12th thru 17th Positions - SEQUENCE NUMBER**

A sequential serial number assigned by the vehicle manufacturer.

PONTIAC DIVISION**1974 PONTIAC****1st Position - DIVISION**

2 Pontiac

2nd Position - CAR LINE & SERIES

D LeMans Std
F LeMans Sport
G LeMans Luxury
H Grand Am
K Grand Prix
L Catalina Std
Catalina Safari
N Bonneville
P Grand Ville
Grand Safari
S Firebird Std
T Firebird Esprit
U Firebird Formula
V Firebird Trans Am
Y Ventura Std
Z Ventura Custom

3rd & 4th Positions - BODY TYPE

17 2 Dr HB
27 2 Dr Sed
29 4 Dr Sed
35 4 Dr S/W, 2 Seat
37 2 Dr HT
39 4 Dr HT
45 4 Dr S/W, 3 Seat
47 2 Dr HT
49 4 Dr HT
57 2 Dr HT
67 2 Dr Conv
69 4 Dr Sed
87 2 Dr Cpe

5th Position - ENGINE TYPE

D 6-250 (4.1) 1BC 100HP
J 8-350 (5.7) 4BC 170HP
K 8-350 (5.7) 4BC 200HP
M 8-350 (5.7) 2BC 155HP
N 8-350 (5.7) 2BC 170HP
P 8-400 (6.6) 2BC 190HP
R 8-400 (6.6) 2BC 175HP
S 8-400 (6.6) 4BC 200HP
T 8-400 (6.6) 4BC 225HP
W 8-455 (7.4) 4BC 215HP
X 8-455 (7.4) 4BC 290HP Super Duty
Y 8-455 (7.4) 4BC 250HP

6th Position - MODEL YEAR

4 1974

7th Position - ASSEMBLY PLANT**8th thru 13th Positions - SEQUENCE NUMBER**

A sequential serial number assigned by the vehicle manufacturer.

1975 PONTIAC**1st Position - DIVISION**

2 Pontiac

2nd Position - CAR LINE & SERIES

B Ventura SJ
D LeMans Std
F LeMans Sport Cpe
G Grand LeMans
H Grand Am
K Grand Prix
L Catalina Std
Catalina Safari
P Bonneville
Grand Safari
R Grand Ville
S Firebird Std
T Firebird Esprit
U Firebird Formula
V Astre Std
W Firebird Trans Am
X Astre SJ
Y Ventura Std
Z Ventura Custom

3rd & 4th Positions - BODY TYPE

15 2 Dr S/W
17 2 Dr HB
27 2 Dr Sed
29 4 Dr Sed
35 4 Dr S/W, 2 Seat
37 2 Dr HT
45 4 Dr S/W, 3 Seat
47 2 Dr HT
49 4 Dr HT
57 2 Dr HT
67 2 Dr Conv
69 4 Dr Sed
77 2 Dr HB
87 2 Dr Cpe

5th Position - ENGINE TYPE

A 4-140 (2.3) 1BC 78HP Chev Design
B 4-140 (2.3) 2BC 87HP Chev Design
D 6-250 (4.1) 1BC 105HP Chev Design
E 8-350 (5.7) 4BC 175HP
F 8-260 (4.3) 2BC 110HP Olds Design
H 8-350 (5.7) 2BC 145HP Buick Design
J 8-350 (5.7) 4BC 165HP Buick Design
M 8-350 (5.7) 2BC 155HP
R 8-400 (6.6) 2BC 170HP
S 8-400 (6.6) 4BC 185HP
W 8-455 (7.4) 4BC 200HP

6th Position - MODEL YEAR

5 1975

7th Position - ASSEMBLY PLANT**8th thru 13th Positions - SEQUENCE NUMBER**

A sequential serial number assigned by the vehicle manufacturer.

1976 PONTIAC**1st Position - DIVISION**

2 Pontiac

2nd Position - CAR LINE & SERIES

C Astre Std
D LeMans Std
LeMans Safari Std
F LeMans Sport Cpe
G Grand LeMans
Grand LeMans Safari
J Grand Prix
K Grand Prix LJ
L Catalina Std
Catalina Safari
M Sunbird
P Bonneville Std
Grand Safari
R Bonneville Brougham
S Firebird Std
T Firebird Esprit
U Firebird Formula
V Astre Custom
W Firebird Trans Am
Y Ventura Std
Z Ventura SJ

3rd & 4th Positions - BODY TYPE

11 2 Dr Sed 45 4 Dr S/W, 3 Seat
15 2 Dr S/W 47 2 Dr HT
17 2 Dr HB 49 4 Dr HT
27 2 Dr Sed 57 2 Dr HT
29 4 Dr Sed 69 4 Dr Sed
35 4 Dr S/W, 2 Seat 77 2 Dr HB
37 2 Dr HT 87 2 Dr Cpe

5th Position - ENGINE TYPE

A 4-140 (2.3) 1BC 70HP Chev Design
B 4-140 (2.3) 2BC 84HP Chev Design
C 6-231 (3.8) 2BC 105HP Buick Design
D 6-250 (4.1) 1BC 105HP Chev Design
F 8-260 (4.3) 2BC 110HP Olds Design
H 8-350 (5.7) 2BC 140HP Buick Design
J 8-350 (5.7) 4BC 155HP Buick Design
M 8-350 (5.7) 2BC 160HP
N 8-400 (6.6) 2BC 170HP
P 8-350 (5.7) 4BC 165HP
S 8-400 (6.6) 4BC
W 8-455 (7.4) 4BC 200HP
Z 8-400 (6.6) 4BC 185HP

6th Position - MODEL YEAR

6 1976

7th Position - ASSEMBLY PLANT**8th thru 13th Positions - SEQUENCE NUMBER**

A sequential serial number assigned by the vehicle manufacturer.

1977 PONTIAC**1st Position - DIVISION**

2 Pontiac

2nd Position - CAR LINE & SERIES

C Astre
D LeMans Std
LeMans Safari Std
F LeMans Sport Cpe
G Grand LeMans
Grand LeMans Safari
H Grand Prix SJ
J Grand Prix Std
K Grand Prix LJ
L Catalina Std
Catalina Safari
M Sunbird
N Bonneville Std
Grand Safari
Q Bonneville Brougham
S Firebird Std
T Firebird Esprit
U Firebird Formula
W Firebird Trans Am
X Phoenix
Y Ventura Std
Z Ventura SJ

VEHICLE IDENTIFICATION

VIN DECODING

GENERAL MOTORS

1977 PONTIAC (Cont.)

3rd & 4th Positions - BODY TYPE

07	2 Dr HB	35	4 Dr S/W
11	2 Dr Sed	37	2 Dr Cpe
15	2 Dr S/W	57	2 Dr Cpe
17	2 Dr HB	69	4 Dr Sed
27	2 Dr Sed	77	2 Dr HB
29	4 Dr Sed	87	2 Dr Cpe

5th Position - ENGINE TYPE

A	6-231 (3.8)	2BC	105HP	Buick Design ¹
B	4-140 (2.3)	2BC	84HP	Chev Design
C	6-231 (3.8)	2BC	105HP	Buick Design ²
K	8-403 (6.6)	4BC	185HP	Olds Design
L	8-350 (5.7)	4BC	170HP	Chev Design
P	8-350 (5.7)	4BC	170HP	
R	8-350 (5.7)	4BC	170HP	Olds Design
U	8-305 (5.0)	2BC	145HP	Chev Design
V	4-151 (2.5)	2BC	87HP	
Y	8-301 (5.0)	2BC	135HP	
Z	8-400 (6.6)	4BC	180HP	

¹Even Firing Design²Odd Firing Design

6th Position - MODEL YEAR

7 1977

7th Position - ASSEMBLY PLANT

8th thru 13th Positions - SEQUENCE NUMBER

A sequential serial number assigned by the vehicle manufacturer.

1978 PONTIAC

1st Position - DIVISION

2 Pontiac

2nd Position - CAR LINE & SERIES

D	LeMans Std
	LeMans Safari Std
E	Sunbird
	Sunbird Safari
F	Grand LeMans
	Grand LeMans Safari
G	Grand Am
H	Grand Prix SJ
J	Grand Prix Std
K	Grand Prix LJ
L	Catalina Std
	Catalina Safari
M	Sunbird Sport
N	Bonneville Std
	Grand Safari
Q	Bonneville Brougham
S	Firebird Std
T	Firebird Esprit
U	Firebird Formula
W	Firebird Trans Am
Y	Phoenix Std
Z	Phoenix LJ

3rd & 4th Positions - BODY TYPE

07	2 Dr HB	35	4 Dr S/W
15	2 Dr S/W	37	2 Dr Cpe
17	2 Dr HB	69	4 Dr Sed
19	4 Dr Sed	87	2 Dr Cpe
27	2 Dr Cpe		

5th Position - ENGINE TYPE

A	6-231 (3.8)	2BC	105HP	Buick Design
H	8-305 (5.0)	4BC	160HP	Chev Design
K	8-403 (6.6)	4BC	185HP	Olds Design
L	8-350 (5.7)	4BC	170HP	Chev Design
R	8-350 (5.7)	4BC	170HP	Olds Design
U	8-305 (5.0)	2BC	145HP	Chev Design
V	4-151 (2.5)	2BC	85HP	¹
W	8-301 (5.0)	4BC	150HP	
X	8-350 (5.7)	4BC	155HP	Buick Design
Y	8-301 (5.0)	2BC	140HP	
Z	8-400 (6.6)	4BC	180HP	³
1	4-151 (2.5)	2BC	85HP	²

¹w/o Elect Cont Carb²w/Elect Cont Carb³8.1 to 1 comp ratio is 220HP

6th Position - MODEL YEAR

8 1978

7th Position - ASSEMBLY PLANT

8th thru 13th Positions - SEQUENCE NUMBER

A sequential serial number assigned by the vehicle manufacturer.

1979 PONTIAC

1st Position - DIVISION

2 Pontiac

2nd Position - CAR LINE & SERIES

D	LeMans Std
	LeMans Safari Std
E	Sunbird
F	Grand LeMans
	Grand LeMans Safari
G	Grand Am
H	Grand Prix SJ
J	Grand Prix Std
K	Grand Prix LJ
L	Catalina Std
	Catalina Safari
M	Sunbird Sport
N	Bonneville Std
	Grand Safari
Q	Bonneville Brougham
S	Firebird Std
T	Firebird Esprit
U	Firebird Formula
W	Firebird Trans Am
Y	Phoenix Std
Z	Phoenix LJ

3rd & 4th Positions - BODY TYPE

07	2 Dr HB	35	4 Dr S/W
15	2 Dr S/W	37	2 Dr Cpe
17	2 Dr HB	69	4 Dr Sed
19	4 Dr Sed	87	2 Dr Cpe
27	2 Dr Cpe		

5th Position - ENGINE

A	6-231 (3.8)	2BC	Buick Design
G	8-305 (5.0)	2BC	Chev Design
H	8-305 (5.0)	4BC	Chev Design

K	8-403 (6.6)	4BC	Olds Design
L	8-350 (5.7)	4BC	Chev Design
R	8-350 (5.7)	4BC	Olds Design
V	4-151 (2.5)	2BC	¹
W	8-301 (5.0)	4BC	
X	8-350 (5.7)	4BC	Buick Design
Y	8-301 (5.0)	2BC	
Z	8-400 (6.6)	4BC	
1	4-151 (2.5)	2BC	²
2	6-231 (3.8)	2BC	Buick Design
9	4-151 (2.5)	2BC	³

¹w/o Elect Cont Carb²w/Elect Cont Carb, w/o Cross Flow Head³w/Elect Cont Carb, w/Cross Flow Head

6th Position - MODEL YEAR

9 1979

7th Position - ASSEMBLY PLANT

8th thru 13th Positions - SEQUENCE NUMBER

A sequential serial number assigned by the vehicle manufacturer.

1980 PONTIAC

1st Position - DIVISION

2 Pontiac

2nd Position - CAR LINE & SERIES

D	LeMans Std
	LeMans Safari Std
E	Sunbird
F	Grand LeMans
	Grand LeMans Safari
G	Grand Am
H	Grand Prix SJ
J	Grand Prix Std
K	Grand Prix LJ
L	Catalina Std
	Catalina Safari
M	Sunbird
N	Bonneville Std
	Bonneville Safari
R	Bonneville Brougham
S	Firebird Std
T	Firebird Esprit
V	Firebird Formula
W	Firebird Trans Am
Y	Phoenix Std
Z	Phoenix LJ

3rd & 4th Positions - BODY TYPE

07	2 Dr HB	37	2 Dr Cpe
19	4 Dr Sed	68	4 Dr HB
27	2 Dr Cpe	69	4 Dr Sed
35	4 Dr S/W	87	2 Dr Cpe

5th Position - ENGINE TYPE

A	6-231 (3.8)	2BC	Buick Design
H	8-305 (5.0)	4BC	Chev Design
K	6-229 (3.8)	2BC	Chev Design
N	8-350 (5.7)	Dsl	Olds Design
R	8-350 (5.7)	4BC	Olds Design
S	8-265 (4.3)	2BC	
T	8-301 (4.9)	4BC	Turbocharged
V	4-151 (2.5)	2BC	
W	8-301 (4.9)	4BC	
X	8-350 (5.7)	4BC	Chev Design
5	4-151 (2.5)	2BC	
7	6-173 (2.8)	2BC	Chev Design

6th Position - MODEL YEAR

A 1980

7th Position - ASSEMBLY PLANT

8th thru 13th Positions - SEQUENCE NUMBER

A sequential serial number assigned by the vehicle manufacturer.

1981 PONTIAC

1st Position - COUNTRY

1 United States
2 Canada

2nd Position - MANUFACTURER

G General Motors

3rd Position - DIVISION

2 Pontiac

4th Position - RESTRAINT SYSTEM

A Manual Belts
B Automatic Belts
C Air Bags

5th Position - CAR LINE & SERIES

D	LeMans Std
	LeMans Safari Std
F	Grand LeMans
	Grand LeMans Safari
J	Grand Prix Std
K	Grand Prix LJ
L	Catalina Std
	Catalina Safari
M	T1000
N	Bonneville Std
	Bonneville Safari
P	Grand Prix Brougham
R	Bonneville Brougham
S	Firebird Std
T	Firebird Esprit
V	Firebird Formula
W	Firebird Trans Am
Y	Phoenix Std
Z	Phoenix LJ

6th & 7th Positions - BODY TYPE

08	2 Dr HB	68	4 Dr HB
27	2 Dr Cpe	69	4 Dr Sed
35	4 Dr S/W	87	2 Dr Cpe
37	2 Dr Cpe		

8th Position - ENGINE TYPE

A	6-231 (3.8)	2BC	Buick Design
G	4-112 (1.8)	2BC	Chev Design
H	8-305 (5.0)	4BC	Chev Design
J	8-267 (4.4)	2BC	
K	6-229 (3.8)	2BC	
N	8-350 (5.7)	Dsl	Olds Design
S	8-265 (4.3)	2BC	
T	8-301 (4.9)	4BC	Turbocharged
W	8-301 (4.9)	4BC	
X	6-173 (2.8)	2BC	Chev Design 115HP
	8-350 (5.7)	4BC	
Y	8-307 (5.0)	4BC	Olds Design
Z	6-173 (2.8)	2BC	Chev Design 135HP
5	4-151 (2.5)	2BC	
9	4-98 (1.6)	2BC	Chev Design

9th Position - CHECK DIGIT

A single number or the letter "X" used to verify the accuracy of the VIN.

Cont.

1981 PONTIAC (Cont.)

10th Position - MODEL YEAR

B 1981

11th Position - ASSEMBLY PLANT

12th thru 17th Positions - SEQUENCE NUMBER

A sequential serial number assigned by the vehicle manufacturer.

1982 PONTIAC

1st Position - COUNTRY

1 United States
2 Canada

2nd Position - MANUFACTURER

G General Motors

3rd Position - DIVISION

2 Pontiac

4th Position - RESTRAINT SYSTEM

A Manual Belts
B Automatic Belts
C Air Bags

5th Position - CAR LINE & SERIES

B J2000 Std
C J2000 LE
D J2000 SE
F 6000 Std
G 6000 LE
J Grand Prix Std
K Grand Prix LJ
L T1000
N Bonneville Std
P Grand Prix Brougham
R Bonneville Brougham
S Firebird Std
T Phoenix SJ
W Firebird Trans Am
X Firebird Special Edition
Y Phoenix Std
Z Phoenix LJ

6th & 7th Positions - BODY TYPE

08	2 Dr HB	68	4 Dr HB
19	4 Dr Sed	69	4 Dr Sed
27	2 Dr Cpe	77	2 Dr HB
35	4 Dr S/W	87	2 Dr Cpe
37	2 Dr Cpe		

8th Position - ENGINE TYPE

A	6-231 (3.8)	2BC	Buick Design
C	4-98 (1.6)	2BC	Chev Design
F	4-151 (2.5)	2BC	
G	4-112 (1.8)	2BC	Chev Design
H	8-305 (5.0)	4BC	
J	8-267 (4.4)	2BC	
N	8-350 (5.7)	Dsl	Olds Design
R	4-151 (2.5)	TBI	
T	6-262 (4.3)	Dsl	Olds Design
X	6-173 (2.8)	2BC	Chev Design 115HP
Z	6-173 (2.8)	2BC	Chev Design 135HP
0	4-112 (1.8)	EFI	
1	6-173 (2.8)	2BC	Chev Design
2	4-151 (2.5)	TBI	
4	6-252 (4.1)	4BC	Buick Design
5	4-151 (2.5)	2BC	
7	8-305 (5.0)	TBI	

9th Position - CHECK DIGIT

A single number or the letter "X" used to verify the accuracy of the VIN.

10th Position - MODEL YEAR

C 1982

11th Position - ASSEMBLY PLANT

12th thru 17th Positions - SEQUENCE NUMBER

A sequential serial number assigned by the vehicle manufacturer.

1983 PONTIAC

1st Position - COUNTRY

1 United States
2 Canada

2nd Position - MANUFACTURER

G General Motors

3rd Position - DIVISION

2 Pontiac

4th Position - RESTRAINT SYSTEM

A Manual Belts
B Automatic Belts

5th Position - CAR LINE & SERIES

B J2000 Std
C J2000 LE
D J2000 SE
F 6000 Std
G 6000 LE
H 6000 STE
J Grand Prix Std
K Grand Prix LJ
L T1000
Parisienne Std
N Bonneville Std
Parisienne Brougham
P Grand Prix Brougham
R Bonneville Brougham
S Firebird Std
T Phoenix SJ
Parisienne Brougham
W Firebird Trans Am
X Firebird Special Edition
Y Phoenix Std
Z Phoenix LJ

6th & 7th Positions - BODY TYPE

08	2 Dr HB	68	4 Dr HB
19	4 Dr Sed	69	4 Dr Sed
27	2 Dr Cpe	77	2 Dr HB
35	4 Dr S/W	87	2 Dr Cpe
37	2 Dr Cpe		

8th Position - ENGINE TYPE

A	6-231 (3.8)	2BC	Buick Design
B	4-122 (2.0)	2BC	Chev Design
C	4-98 (1.6)	2BC	Chev Design
D	4-110 (1.8)	Dsl	Isuzu Design
F	4-151 (2.5)	2BC	
H	8-305 (5.0)	4BC	Chev Design
L	6-173 (2.8)	2BC	Chev Design
N	8-350 (5.7)	Dsl	Olds Design
P	4-122 (2.0)	TBI	Chev Design
R	4-151 (2.5)	TBI	
S	8-305 (5.0)	TBI	Chev Design
T	6-262 (4.3)	Dsl	Olds Design
X	6-173 (2.8)	2BC	Chev Design 115HP
Z	6-173 (2.8)	2BC	Chev Design 135HP
0	4-112 (1.8)	TBI	
1	6-173 (2.8)	2BC	Chev Design
2	4-151 (2.5)	TBI	
4	6-252 (4.1)	4BC	
5	4-151 (2.5)	2BC	
9	6-229 (3.8)	2BC	Chev Design

9th Position - CHECK DIGIT

A single number or the letter "X" used to verify the accuracy of the VIN.

10th Position - MODEL YEAR

D 1983

11th Position - ASSEMBLY PLANT

12th thru 17th Positions - SEQUENCE NUMBER

A sequential serial number assigned by the vehicle manufacturer.

1984 PONTIAC

1st Position - COUNTRY

1 United States
2 Canada

2nd Position - MANUFACTURER

G General Motors

3rd Position - DIVISION

2 Pontiac

4th Position - RESTRAINT SYSTEM

A Manual Belts

5th Position - CAR LINE & SERIES

B J2000 Std
C J2000 LE
D J2000 SE
E Fiero Cpe
F Fiero SE Cpe (Body Type 37)
6000 Std (Body Type 19-27-35)
6000 LE
H 6000 STE
J Grand Prix Std
K Grand Prix LE

L Parisienne Std (Body Type 35-69)
T1000 (Body Type 08-68)

M Fiero Sport Cpe

N Bonneville Std

P Grand Prix Brougham

R Bonneville Brougham

S Bonneville LE (Body Type 69)

Firebird (Body Type 87)

T Parisienne Brougham (Body Type 69)

Phoenix SE (Body Type 37)

W Firebird Trans Am

X Firebird Special Edition

Y Phoenix Std

Z Phoenix LE

6th & 7th Positions - BODY TYPE

08	2 Dr HB	67	2 Dr Conv
19	4 Dr Sed	68	4 Dr HB
27	2 Dr Cpe	69	4 Dr Sed
35	4 Dr S/W	77	2 Dr HB
37	2 Dr Cpe	87	2 Dr Cpe

8th Position - ENGINE TYPE

A	6-231 (3.8)	2BC	Buick Design
B	4-122 (2.0)	2BC	Chev Design
C	4-98 (1.6)	2BC	Chev Design
D	4-110 (1.8)	Dsl	Isuzu Design
G	8-305 (5.0)	4BC	Chev Design
H	8-305 (5.0)	4BC	Chev Design
J	4-112 (1.8)	TBI	
L	6-173 (2.8)	2BC	Chev Design
N	8-350 (5.7)	Dsl	Olds Design
P	4-122 (2.0)	TBI	
R	4-151 (2.5)	TBI	
T	6-262 (4.3)	Dsl	Olds Design
X	6-173 (2.8)	2BC	Chev Design 115HP
Z	6-173 (2.8)	2BC	Chev Design 135HP
0	4-112 (1.8)	TBI	
1	6-173 (2.8)	2BC	Chev Design
2	4-151 (2.5)	TBI	

9th Position - CHECK DIGIT

A single number or the letter "X" used to verify the accuracy of the VIN.

10th Position - MODEL YEAR

E 1984

11th Position - ASSEMBLY PLANT

12th thru 17th Positions - SEQUENCE NUMBER

A sequential serial number assigned by the vehicle manufacturer.

1985 PONTIAC

1st Position - COUNTRY

1 United States
2 Canada

2nd Position - MANUFACTURER

G General Motors

3rd Position - DIVISION

2 Pontiac

4th Position - CAR LINE

A 6000
B Parisienne
F Firebird
G Grand Prix Brougham
J Sunbird 2000
N Grand Am
P Fiero
T T1000

5th Position - SERIES

B Sunbird 2000 Std
C Sunbird 2000 LE
D Sunbird 2000 SE
E Fiero Cpe
Grand Am Std
F Fiero SE
6000 Std
G Fiero GT
6000 LE
H 6000 STE
J Grand Prix Std
K Grand Prix LE
L Parisienne Std (Body Type 35, 69)
T1000 (Body Type 08, 68)
M Fiero Sport Cpe
N Bonneville Std
P Grand Prix Brougham

VEHICLE IDENTIFICATION

VIN DECODING

GENERAL MOTORS

1985 PONTIAC (Cont.)

5th Position - SERIES (Cont.)

R Bonneville Brougham
 S Bonneville LE (Body Type 69)
 Firebird Std (Body Type 87)
 T Parisienne Brougham
 V Grand Am LE
 W Firebird Trans Am
 X Firebird Special Edition

6th & 7th Positions - BODY TYPE

08 2 Dr HB 67 2 Dr Conv
 19 4 Dr Sed 68 4 Dr HB
 27 2 Dr Cpe 69 4 Dr Sed
 35 4 Dr S/W 77 2 Dr HB
 37 2 Dr Cpe 87 2 Dr Cpe

8th Position - ENGINE TYPE

A 6-231 (3.8) 2BC Buick Design
 C 4-98 (1.6) 2BC Chev Design
 D 4-110 (1.8) Dsl Isuzu Design
 F 8-305 (5.0) TPFI
 G 8-305 (5.0) 4BC Chev Design HO
 H 8-305 (5.0) 4BC Chev Design
 J 4-112 (1.8) MPFI Turbo
 L 6-181 (3.0) MPFI
 N 8-350 (5.7) Dsl Olds Design
 P 4-122 (2.0) TBI
 R 4-151 (2.5) TBI
 S 6-173 (2.8) MPFI
 T 6-262 (4.3) Dsl Olds Design
 U 4-151 (2.5) TBI
 W 6-173 (2.8) MPFI
 X 6-173 (2.8) 2BC Chev Design
 Z 6-262 (4.3) TBI Chev Design
 0 4-112 (1.8) TBI
 2 4-151 (2.5) TBI
 6 8-350 (5.7) 4BC
 9 6-173 (2.8) MPFI

9th Position - CHECK DIGIT

A single number or the letter "X" used to verify the accuracy of the VIN.

10th Position - MODEL YEAR

F 1985

11th Position - ASSEMBLY PLANT

12th thru 17th Positions - SEQUENCE NUMBER

A sequential serial number assigned by the vehicle manufacturer.

1986 PONTIAC

1st Position - COUNTRY

1 United States
 2 Canada

2nd Position - MANUFACTURER

G General Motors

3rd Position - DIVISION

2 Pontiac

4th Position - CAR LINE

A 6000
 B Parisienne
 F Firebird
 G Grand Prix Brougham
 J Sunbird 2000
 N Grand Am
 P Fiero
 T T1000

5th Position - SERIES

B Sunbird 2000
 C Sunbird 2000 LE
 D Sunbird 2000 SE
 E Fiero Cpe
 Grand Am Std
 6000 SE
 F Fiero SE
 6000 Std
 G Fiero GT Sport Cpe
 6000 LE
 H 6000 STE
 J Grand Prix Std
 K Grand Prix LE
 L Parisienne Std (Body Type 35, 69)
 T1000 (Body Type 08, 68)
 M Fiero Sport Cpe
 N Bonneville Std
 P Grand Prix Brougham
 R Bonneville Brougham

S Bonneville LE (Body Type 69)
 Firebird Std (Body Type 87)
 T Parisienne Brougham
 U Sunbird 2000 GT
 V Grand Am LE
 W Firebird Trans Am
 Grand Am SE
 X Firebird Special Edition

6th & 7th Positions - BODY TYPE

08 2 Dr HB 68 4 Dr HB
 19 4 Dr Sed 69 4 Dr Sed
 27 2 Dr Cpe 77 2 Dr HB
 35 4 Dr S/W 87 2 Dr Cpe
 37 2 Dr Cpe 97 2 Dr Cpe
 67 2 Dr Conv

8th Position - ENGINE TYPE

A 6-231 (3.8) 2BC Buick Design
 B 6-231 (3.8) SFI
 C 4-98 (1.6) 2BC Chev Design
 F 8-305 (5.0) TPFI
 G 8-305 (5.0) 4BC Chev Design
 H 8-305 (5.0) 4BC Chev Design
 J 4-112 (1.8) MPFI Turbo
 L 6-181 (3.0) MPFI
 O 4-112 (1.8) TBI
 P 4-122 (2.0) TBI
 R 4-151 (2.5) TBI
 S 6-173 (2.8) MPFI
 U 4-151 (2.5) TBI
 W 6-173 (2.8) MPFI
 X 6-173 (2.8) 2BC Chev Design
 Y 8-307 (5.0) 4BC Olds Design
 Z 6-262 (4.3) TBI
 0 4-112 (1.8) TBI
 2 4-151 (2.5) TBI
 3 6-231 (3.8) SFI
 9 6-173 (2.8) MPFI

9th Position - CHECK DIGIT

A single number or the letter "X" used to verify the accuracy of the VIN.

10th Position - MODEL YEAR

G 1986

11th Position - ASSEMBLY PLANT

12th thru 17th Positions - SEQUENCE NUMBER

A sequential serial number assigned by the vehicle manufacturer.

1987 PONTIAC

1st Position - COUNTRY

1 United States
 2 Canada

2nd Position - MANUFACTURER

G General Motors

3rd Position - DIVISION

2 Pontiac

4th & 5th Positions - CAR LINE

AE Pontiac 6000 SE
 AF Pontiac 6000 Std
 AG Pontiac 6000 LE
 BL Parisienne Std
 FS Firebird Std
 FW Firebird Trans Am
 GJ Grand Prix Std
 GK Grand Prix LE
 GP Grand Prix Brougham
 HX Bonneville Std
 HZ Bonneville LE
 JB Sunbird Std
 JD Sunbird SE
 JU Sunbird GT
 NE Grand Am Std
 NV Grand Am LE
 NW Grand Am SE
 PE Fiero SE
 PF Fiero Sport
 PG Fiero GT
 PM Fiero Std
 TL Pontiac 1000

6th Position - BODY TYPE

1 2 Dr Cpe 5 4 Dr Sed
 2 2 Dr HB 8 4 Dr S/W
 3 2 Dr Conv

7th Position - RESTRAINT SYSTEM

1 Manual Belts
 2 Manual Belts (Built in SFTY)

3 Manual Belts (Built in SFTY - Driver Only)
 4 Automatic Belts

8th Position - ENGINE TYPE

A 6-231 (3.8) 2BC Buick Design
 C 4-98 (1.6) 2BC Chev Design
 F 8-305 (5.0) TPFI
 H 8-305 (5.0) 4BC Chev Design
 K 4-122 (2.0) TBI
 L 6-181 (3.0) MPFI
 M 4-122 (2.0) TBI
 R 4-151 (2.5) TBI
 S 6-173 (2.8) MPFI
 U 4-151 (2.5) TBI
 W 6-173 (2.8) MPFI
 Y 8-307 (5.0) 4BC Olds Design
 Z 6-262 (4.3) TBI
 3 6-231 (3.8L) SFI
 8 8-350 (5.7) TPFI
 9 6-173 (2.8) MPFI

9th Position - CHECK DIGIT

A single number or the letter "X" used to verify the accuracy of the VIN.

10th Position - MODEL YEAR

H 1987

11th Position - ASSEMBLY PLANT

12th thru 17th Positions - SEQUENCE NUMBER

A sequential serial number assigned by the vehicle manufacturer.

1988 PONTIAC

1st Position - COUNTRY

1 United States
 2 Canada

2nd Position - MANUFACTURER

G General Motors

3rd Position - DIVISION

2 Pontiac

4th & 5th Positions - CAR LINE

AE Pontiac 6000 SE
 AF Pontiac 6000 Std
 AG Pontiac 6000 LE
 BL Parisienne Std
 FS Firebird Std
 FW Firebird Trans Am
 HW Bonneville SSE
 HX Bonneville LE
 HZ Bonneville SE
 JB Sunbird Std
 JD Sunbird SE
 JU Sunbird GT
 NE Grand Am Std
 NV Grand Am LE
 NW Grand Am SE
 PE Fiero SE
 PM Fiero Std
 TN LeMans Std
 TR LeMans SE
 TX LeMans Aero Coupe
 WJ Grand Prix
 WK Grand Prix LE
 WP Grand Prix SE

6th Position - BODY TYPE

1 2 Dr Cpe 5 4 Dr Sed
 2 2 Dr HB 8 4 Dr S/W
 3 2 Dr Conv

7th Position - RESTRAINT SYSTEM

1 Manual Belts
 2 Manual Belts (Built in SFTY)
 3 Manual Belts (Built in SFTY - Driver Only)
 4 Automatic Belts

8th Position - ENGINE TYPE

C 6-231 (3.8) MPFI
 D 4-138 (2.3) MPFI
 E 8-305 (5.0) TBI
 F 8-305 (5.0) TPFI
 K 4-122 (2.0) TBI
 R 4-151 (2.5) TBI
 S 6-173 (2.8) MPFI
 U 4-151 (2.5) TBI
 W 6-173 (2.8) MPFI
 Y 8-307 (5.0) 4BC Olds Design
 3 6-231 (3.8) SFI
 6 4-98 (1.6) TBI
 9 6-173 (2.8) MPFI

1988 PONTIAC (Cont.)**9th Position - CHECK DIGIT**

A single number or the letter "X" used to verify the accuracy of the VIN.

10th Position - MODEL YEAR

J 1988

11th Position - ASSEMBLY PLANT**12th thru 17th Positions - SEQUENCE NUMBER**

A sequential serial number assigned by the vehicle manufacturer.

1989 PONTIAC**1st Position - COUNTRY**

1 United States
2 Canada

2nd Position - MANUFACTURER

G General Motors

3rd Position - DIVISION

2 Pontiac

4th & 5th Positions - CAR LINE

AE Pontiac 6000 SE
AF Pontiac 6000
AG Pontiac 6000 LE
BL Safari
FS Firebird Std
FW Firebird Trans Am
HX Bonneville LE
HY Bonneville SSE
HZ Bonneville SE
JB Sunbird 2000
JD Sunbird 2000 SE
JU Sunbird GT
NE Grand Am LE
NW Grand Am SE
TN LeMans Std
TR LeMans SE
TS LeMans GSE
TX LeMans Aero Coupe
WJ Grand Prix Std
WK Grand Prix LE
WP Grand Prix SE

6th Position - BODY TYPE

1 2 Dr Cpe 5 4 Dr Sed
2 2 Dr HB 8 4 Dr S/W
3 2 Dr Conv

7th Position - RESTRAINT SYSTEM

1 Manual Belts
2 Manual Belts (Built in SFTY)
3 Manual Belts (Driver Inflatable)
4 Automatic Belts

8th Position - ENGINE TYPE

A 4-138 (2.3) MPFI
C 6-231 (3.8) MPFI
D 4-138 (2.3) MPFI
E 8-305 (5.0) TBI
F 8-305 (5.0) TPGI
K 4-122 (2.0) TBI
M 4-122 (2.0) TBI
R 4-151 (2.5) TBI
S 6-173 (2.8) MPFI
T 6-190 (3.1) MPFI
U 4-151 (2.5) TBI
W 6-173 (2.8) MPFI
Y 8-307 (5.0) 4BC
6 4-98 (1.6) TBI
7 6-231 (3.8) TBI
8 8-350 (5.7) TPGI

9th Position - CHECK DIGIT

A single number or the letter "X" used to verify the accuracy of the VIN.

10th Position - MODEL YEAR

K 1989

11th Position - ASSEMBLY PLANT**12th thru 17th Positions - SEQUENCE NUMBER**

A sequential serial number assigned by the vehicle manufacturer.

1990 PONTIAC**1st Position - COUNTRY**

1 United States
2 Canada

2nd Position - MANUFACTURER

G General Motors

3rd Position - DIVISION

2 Pontiac

4th & 5th Positions - CAR LINE

AF 6000
FS Firebird Std
FW Firebird Trans Am
HX Bonneville LE
HY Bonneville SSE
HZ Bonneville SE
JB Sunbird 2000
JD Sunbird 2000 SE
JU Sunbird GT
NE Grand Am LE
NW Grand Am SE
TN LeMans Std
TS LeMans GSE
TX LeMans Aero Coupe
WJ Grand Prix Std
WK Grand Prix LE
WP Grand Prix SE
WT Grand Prix STE

6th Position - BODY TYPE

1 2 Dr Cpe 5 4 Dr Sed
2 2 Dr HB 8 4 Dr S/W
3 2 Dr Conv

7th Position - RESTRAINT SYSTEM

1 Manual Belts
2 Manual Belts (Built in SFTY)
3 Manual Belts (Driver Inflatable)
4 Automatic Belts

8th Position - ENGINE TYPE

A 4-138 (2.3) MPFI
C 6-231 (3.8) MPFI
D 4-138 (2.3) MPFI
D 6-189 (3.1) MPFI
E 8-305 (5.0) TBI
F 8-305 (5.0) TPGI
K 4-122 (2.0) TBI
M 4-122 (2.0) TBI
R 4-151 (2.5) TBI
T 6-189 (3.1) MPFI
U 4-151 (2.5) TBI
6 4-98 (1.6) TBI
8 8-350 (5.7) TPGI

9th Position - CHECK DIGIT

A single number or the letter "X" used to verify the accuracy of the VIN.

10th Position - MODEL YEAR

L 1990

11th Position - ASSEMBLY PLANT**12th thru 17th Positions - SEQUENCE NUMBER**

A sequential serial number assigned by the vehicle manufacturer.

1991 PONTIAC**1st Position - COUNTRY**

1 United States
2 Canada
3 Mexico
J Japan
K Korea

2nd Position - MANUFACTURER

G General Motors

3rd Position - DIVISION

2 Pontiac

4th & 5th Positions - CAR LINE

AF 6000
FS Firebird Std
FW Firebird Trans Am
HX Bonneville LE
HZ Bonneville SSE
JB Sunbird 2000
JD Sunbird 2000 SE
JU Sunbird GT
NE Grand Am LE
NW Grand Am SE
TN LeMans Std
TS LeMans GSE
TX LeMans Aero Coupe
WJ Grand Prix Std
WK Grand Prix LE
WP Grand Prix SE
WT Grand Prix STE

6th Position - BODY TYPE

1 2 Dr Cpe 5 4 Dr Sed
2 2 Dr HB 6 4 Dr HB
3 2 Dr Conv 8 4 Dr S/W

7th Position - RESTRAINT SYSTEM

1 Manual Belts
2 Manual Belts (Built in SFTY)
3 Manual Belts (Driver Air Bag)
4 Automatic Belts

8th Position - ENGINE TYPE

A 4-138 (2.3) MPFI
C 6-231 (3.8) MPFI
D 4-138 (2.3) MPFI
E 8-305 (5.0) TBI
F 8-305 (5.0) TPGI
K 4-122 (2.0) TBI
R 4-151 (2.5) TBI
T 6-189 (3.1) MPFI
X 6-207 (3.4) MPFI
6 4-98 (1.6) TBI
8 8-350 (5.7) TPGI YPE

9th Position - CHECK DIGIT

A single number or the letter "X" used to verify the accuracy of the VIN.

10th Position - MODEL YEAR

M 1991

11th Position - ASSEMBLY PLANT**12th thru 17th Positions - SEQUENCE NUMBER**

A sequential serial number assigned by the vehicle manufacturer.

1992-93 PONTIAC**1st Position - COUNTRY**

1 United States
2 Canada
3 Mexico
J Japan
K Korea

2nd Position - MANUFACTURER

G General Motors

3rd Position - DIVISION

2 Pontiac

4th & 5th Positions - CAR LINE

FS Firebird Std
FW Firebird Trans Am
HX Bonneville SE
HY Bonneville SSEi
HZ Bonneville SSE
JB Sunbird SE
JC Sunbird Std
JD Sunbird GT
NE Grand Am SE
NW Grand Am GT
TN LeMans Std
TR LeMans SE
TS LeMans GSE
TX LeMans Coupe
WH Grand Prix LE
WJ Grand Prix SE
WP Grand Prix GT
WT Grand Prix STE

6th Position - BODY TYPE

1 2 Dr Cpe 5 4 Dr Sed
2 2 Dr HB 6 4 Dr HB
3 2 Dr Conv 8 4 Dr S/W

7th Position - RESTRAINT SYSTEM

1 Manual Belts
2 Manual Belts (Built in SFTY)
3 Manual Belts (Driver Air Bag)
4 Automatic Belts
5 Automatic Belts (w/Air Bag)
6 Automatic Belts (Dual Air Bags)

VEHICLE IDENTIFICATION

VIN DECODING

GENERAL MOTORS

1992-93 PONTIAC (Cont.)

8th Position - ENGINE TYPE

- A 4-138 (2.3) MPFI
- D 4-138 (2.3) MPFI
- E 8-305 (5.0) TBI
- F 8-305 (5.0) TPFI
- H 4-122 (2.0) MPFI
- L 6-231 (3.8) MPFI
- N 6-204 (3.3) MPFI
- R 6-207 (3.4) MPFI
- T 6-189 (3.1) MPFI
- X 6-207 (3.4) MPFI
- 1 6-231 (3.8) MPFI
- 3 4-138 (2.3) MPFI
- 6 4-98 (1.6) TBI
- 8 8-350 (5.7) MPFI

9th Position - CHECK DIGIT

A single number or the letter "X" used to verify the accuracy of the VIN.

10th Position - MODEL YEAR

- N 1992
- P 1993

11th Position - ASSEMBLY PLANT

12th thru 17th Positions - SEQUENCE NUMBER

A sequential serial number assigned by the vehicle manufacturer.

1994 PONTIAC

1st Position - COUNTRY

- 1 United States
- 2 Canada
- 3 Mexico
- J Japan

2nd Position - MANUFACTURER

- G General Motors

3rd Position - DIVISION

- 2 Pontiac

4th & 5th Positions - CAR LINE

- FS Firebird
- FV Firebird Formula
- HX Bonneville SE
- HZ Bonneville SSE
- JB Sunbird LE
- JL Sunbird SE
- NE Grand Am SE
- NW Grand Am GT
- WJ Grand Prix SE
- WM Grand Prix

6th Position - BODY TYPE

- 1 2 Dr Cpe 5 4 Dr Sed
- 2 2 Dr HB 6 4 Dr HB
- 3 2 Dr Conv 8 4 Dr S/W

7th Position - RESTRAINT SYSTEM

- 1 Manual Belts
- 2 Manual Belts (Built in SFTY)
- 3 Manual Belts (Driver Air Bag)
- 4 Automatic Belts
- 5 Automatic Belts (w/Air Bag)
- 6 Automatic Belts (Dual Air Bags)

8th Position - ENGINE TYPE

- A 4-138 (2.3) MPFI
- D 4-138 (2.3) MPFI
- H 4-122 (2.0) MPFI
- L 6-231 (3.8) SFI
- M 6-189 (3.1) MPFI
- P 8-350 (5.7) MPFI
- S 6-207 (3.4) SFI
- T 6-189 (3.1) MPFI
- X 6-207 (3.4) MPFI
- 1 6-231 (3.8) SFI w/Supercharger
- 3 4-138 (2.3) MPFI

9th Position - CHECK DIGIT

A single number or the letter "X" used to verify the accuracy of the VIN.

10th Position - MODEL YEAR

- R 1994

11th Position - ASSEMBLY PLANT

12th thru 17th Positions - SEQUENCE NUMBER

A sequential serial number assigned by the vehicle manufacturer.

1995-2005 PONTIAC

1st Position - COUNTRY

- 1, 5 United States
- 2 Canada
- 3 Mexico
- 6 Australia
- J Japan
- K Korea
- Y Nummi

2nd Position - MANUFACTURER

- G General Motors
- Y Nummi

3rd Position - DIVISION

- 2 Pontiac

4th & 5th Positions - CAR LINE

- FS Firebird
- FV Firebird Formula
- G6 G6 GT
- HX Bonneville SE
- HY Bonneville SLE
- HZ Bonneville SSE, GXP
- NE Grand Am SE
- NV Grand Am GT1
- NW Grand Am GT
- JB Sunfire
- JD Sunfire GT
- SL Vibe
- SN Vibe GT
- SM Vibe AWD
- VX GTO
- WC Grand Prix
- WJ Grand Prix SE
- WM Grand Prix
- WP Grand Prix GT
- WR Grand Prix GTP
- WS Grand Prix GT2

6th Position - BODY TYPE

- F69 4 Dr Sed 2 2 Dr HB
- G69 4 Dr Sed 3 2 Dr Conv
- H69 4 Dr Sed 5 4 Dr Sed
- M69 4 Dr Sed 6 4 Dr HB
- 1 2 Dr Cpe 8 4 Dr S/W

7th Position - RESTRAINT SYSTEM

- 1 Manual Belts
- 2 Manual Belts (Built in SFTY)
- 3 Manual Belts (Driver Air Bag)
- 4 Automatic Belts
- 5 Automatic Belts (w/Air Bag)
- 6 Automatic Belts (Dual Air Bags), Manual Belts (Dual Front, Side Air Bags)
- 7 Manual Belts (Dual Front, Front Side & Rear Air Bags)

8th Position - ENGINE TYPE

- A 6-279 (4.6) MFI
- C 5.3L SFI V8
- D 4-138 (2.3) MPFI
- E 6-207 (3.4L) MFI
- F 4-134 (2.2) MFI
- G 8-350 (5.7) MFI
- J 6-189 (3.1) SFI
- K 6-231 (3.8) MPFI
- L 4-110 (1.8) MFI
- M 6-189 (3.1) MPFI
- P 8-350 (5.7) MPFI
- S 6-207 (3.4) SFI
- T 4-146 (2.4) MPFI
- U 8-364 (6.0) MFI
- X 6-207 (3.4) MPFI
- Y 8-279 (4.6) MFI
- 1 6-231 (3.8) SFI w/Supercharger
- 2 6-231 (3.8) MFI
- 4 4-134 (2.2) MPFI
- 4 6-231 (3.8) MFI w/Supercharger
- 8 4-110 (1.8) MFI
- 8 6-211 (3.5) MFI

9th Position - CHECK DIGIT

A single number or the letter "X" used to verify the accuracy of the VIN.

10th Position - MODEL YEAR

- | | | | | | |
|---|------|---|------|---|------|
| S | 1995 | X | 1999 | 3 | 2003 |
| T | 1996 | Y | 2000 | 4 | 2004 |
| V | 1997 | 1 | 2001 | 5 | 2005 |
| W | 1998 | 2 | 2002 | | |

11th Position - ASSEMBLY PLANT

12th thru 17th Positions - SEQUENCE NUMBER

A sequential serial number assigned by the vehicle manufacturer.

2006-07 PONTIAC

1st Position - COUNTRY

- 1, 5 United States
- 6 Australia

2nd Position - MANUFACTURER

- G General Motors
- Y Nummi

3rd Position - MAKE/DIVISION

- 2 Pontiac

4th & 5th Positions - CAR LINE

- AJ G5 GT
- AL G5 GT
- AN G5 GT
- G6 G6 SE
- G6 SE1
- G6 GT
- G6 GTP
- MB Solstice Sport
- MG Solstice GXP
- SL Vibe
- SM Vibe AWD
- SN Vibe GT
- VX GTO
- WP Grand Prix GT1, GT2
- WR Grand Prix GTP, GXP

6th Position - BODY TYPE

- F69 4 Dr Sed
- G69 4 Dr Sed
- H37 2 Dr Cpe
- H67 2 Dr Conv
- H69 4 Dr Sed
- M37 2 Dr Cpe
- M67 2 Dr Conv
- M69 4 Dr Sed
- 1 2 Dr Cpe (37)
- 1 4 Dr Sed (69)
- 1 2 Dr Cpe
- 3 2 Dr Conv
- 5 4 Dr Sed
- 8 4 Dr S/W

7th Position - RESTRAINT SYSTEM

- 2 Manual Belts (Dual Front Air Bags)
- 4 Manual Belts (Dual Front & Side Air Bags)

8th Position - ENGINE TYPE

- B I4 2.4 L RPO (LE5)
- C V8 5.3 L SFI RPO (LS4)
- F I4 2.2 L RPO (LE5)
- L I4 1.8 L SFI DOHC Alumn
- M I4 2.0 L RPO Turbo DOHC Alumn GM (LNF)
- N V6 3.5 L SFI Offset Bore GM (LZ4)
- U V8 6.0 L MFI RPO (LS2) GEN IV
- 1 V6 3.9 L RPO (LZ9)
- 2 V6 3.8 L SFI RPO (L32)
- 4 V6 3.8 L SFI RPO (L26) '06, (L62) '07
- 7 V6 3.6 L SFI Alumn. 60 Degrees (LY7)
- 8 I4 1.8 L SFI
- 8 V6 3.5 L RPO (LX9)

9th Position - CHECK DIGIT

A single number or the letter "X" used to verify the accuracy of the VIN.

10th Position - MODEL YEAR

- 6 - 2006
- 7 - 2007

11th Position - ASSEMBLY PLANT

12th thru 17th Positions - SEQUENCE NUMBER

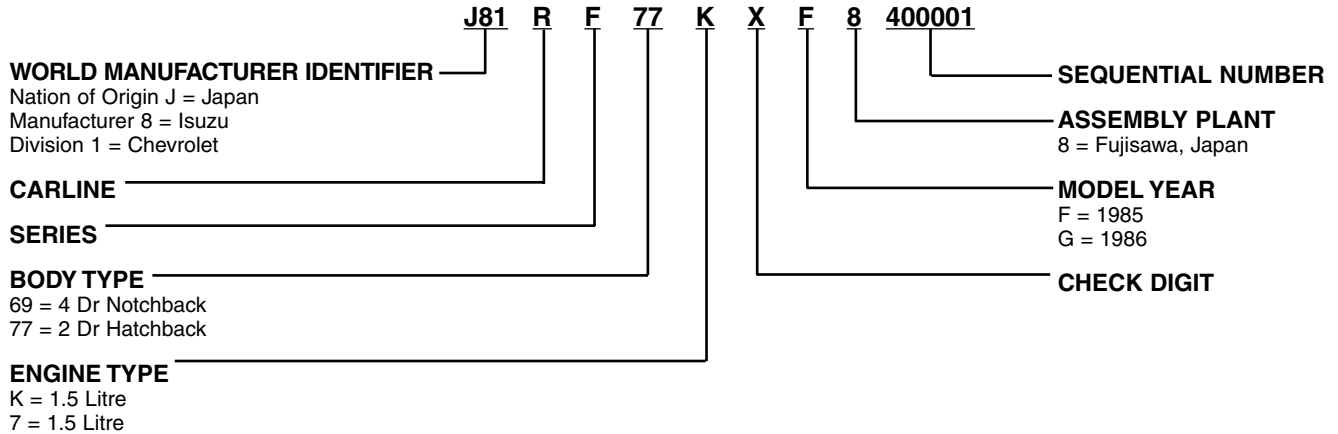
A sequential serial number assigned by the vehicle manufacturer.

SPECTRUM

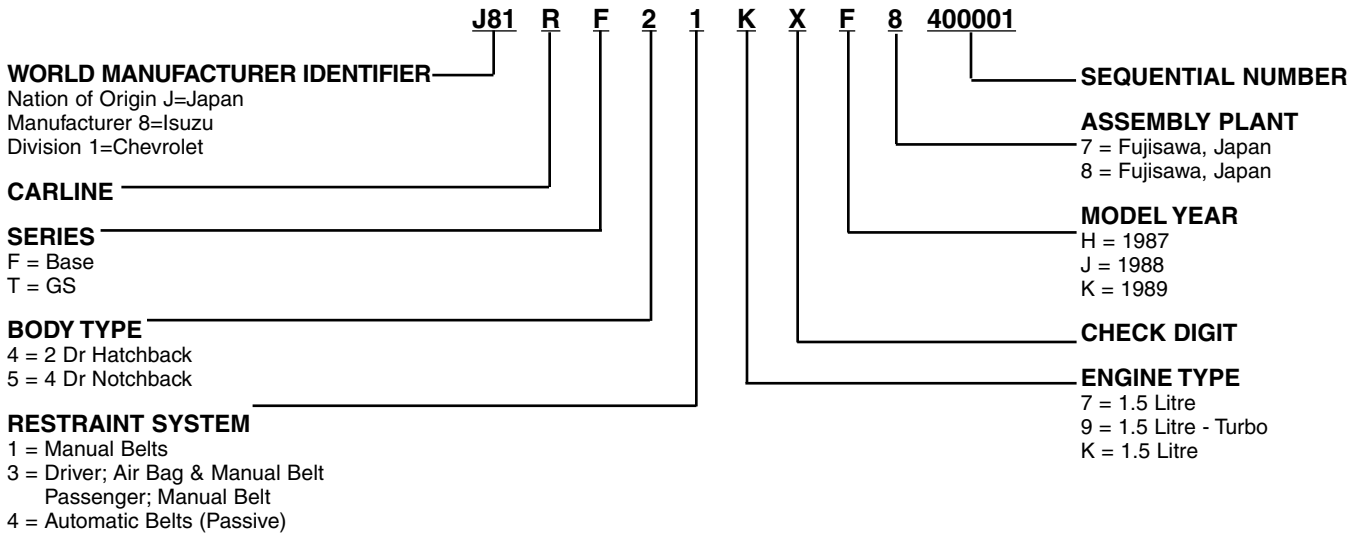
IDENTIFICATION NUMBER OR PLATE LOCATION

Identification number is located on upper left side of dash panel, visible through windshield.

1985-86



1987-89



ENGINE IDENTIFICATION NUMBER LOCATION

Engine number is stamped on flange for transaxle mounting, toward front of vehicle.

SPRINT

IDENTIFICATION NUMBER OR PLATE LOCATION

Identification number is located on upper left side of dash panel, visible through windshield.

1985-86

JG1 M R 08 M X F K 700001

WORLD MANUFACTURER IDENTIFIER

Nation of Origin J = Japan
Manufacturer G = Suzuki
Division 1 = Chevrolet

CARLINE

SERIES

BODY TYPE

08 = 2 Dr Hatchback
68 = 4 Dr Hatchback

ENGINE TYPE

M = 1.0 Litre
5 = 1.0 Litre

SEQUENTIAL NUMBER

ASSEMBLY PLANT

K = Kosia Japan

MODEL YEAR

F = 1985
G = 1986

CHECK DIGIT

1987-88

JG1 M R 2 1 M X F K 700001

WORLD MANUFACTURER IDENTIFIER

Nation of Origin J = Japan
2 = Canada
Manufacturer C = Suzuki Canada
G = Suzuki Japan
Division 1 = Chevrolet

CARLINE

SERIES

BODY TYPE

2 = 2 Dr Hatchback
6 = 4 Dr Hatchback

RESTRAINT SYSTEM

1 = Manual Belts
3 = Manual Belts w/Air Bag
4 = Automatic Belts

SEQUENTIAL NUMBER

ASSEMBLY PLANT

K = Kosia Japan
6 = Ontario

MODEL YEAR

H = 1987
J = 1988

CHECK DIGIT

ENGINE TYPE

2 = 1.0 Litre - Turbo
6 = 1.6 Litre

ENGINE IDENTIFICATION NUMBER LOCATION

Engine number is stamped on flange for transaxle mounting, toward front of vehicle.

IDENTIFICATION NUMBER OR PLATE LOCATION

Identification number is located on upper left side of dash panel, visible through windshield.

ENGINE IDENTIFICATION NUMBER LOCATION

Engine number is stamped on flange for transaxle mounting, toward front of vehicle.

METRO

1989-97

2C1 M R 2 1 M X F K 700001

WORLD MANUFACTURER IDENTIFIER

Nation of Origin J = Japan
2 = Canada
Manufacturer C = Suzuki Canada
G = Suzuki Japan
Division 1 = Metro GEO

CARLINE

SERIES

BODY TYPE

2 = 2 Dr Hatchback
3 = 2 Dr Conv
5 = 4 Dr Sedan
6 = 4 Dr Hatchback

RESTRAINT SYSTEM

1 = Manual Belts
3 = Manual Belts w/Air Bag
4 = Automatic Belts

SEQUENTIAL NUMBER

ASSEMBLY PLANT

K = Kosia Japan
6 = Ontario

MODEL YEAR

K = 1989 P = 1993 V = 1997
L = 1990 R = 1994
M = 1991 S = 1995
N = 1992 T = 1996

CHECK DIGIT

ENGINE TYPE

2 = 1.0 Litre w/Turbo
6 = 1.0 Litre
9 = 1.3 Litre

PRIZM

1989-97

1Y1 S K 1 4 4 6 L Z 100001

MAKE IDENTIFIER

GEO

CARLINE

Prizm

SERIES

K = Prizm
L = Prizm GSi

BODY TYPE

5 = 4 Dr Sedan
6 = 4 Dr Hatchback
7 = 4 Dr Liftback

RESTRAINT SYSTEM

1 = Manual Belts
2 = Manual Belts w/Built-In Safety
3 = Manual Belts (Driver Only)
Built-In Safety
4 = Automatic Belts

SEQUENTIAL NUMBER

ASSEMBLY PLANT

MODEL YEAR

K=1989 P=1993 V=1997
L=1990 R=1994
M=1991 S=1995
N=1992 T=1996

CHECK DIGIT

ENGINE TYPE

5=1.6 Litre
6=1.6 Litre
8=1.8 Litre

VEHICLE IDENTIFICATION

VIN DECODING

STORM

1990-93

J81 R F 2 1 K X F 8 400001

WORLD MANUFACTURER IDENTIFIER

Nation of Origin J = Japan
Manufacturer 8 = Isuzu
Division 1 = Chevrolet

CARLINE

SERIES

F = Base
T = GSI

BODY TYPE

2 = 2 Dr Coupe
4 = 2 Dr Hatchback

RESTRAINT SYSTEM

1 = Manual Belts
3 = Driver; Air Bag & Manual Belt
Passenger; Manual Belt
4 = Automatic Belts (Passive)

SEQUENTIAL NUMBER

ASSEMBLY PLANT

7=Fujisawa, Japan
8=Fujisawa, Japan

MODEL YEAR

L=1990
M=1991
N=1992
P=1993

CHECK DIGIT

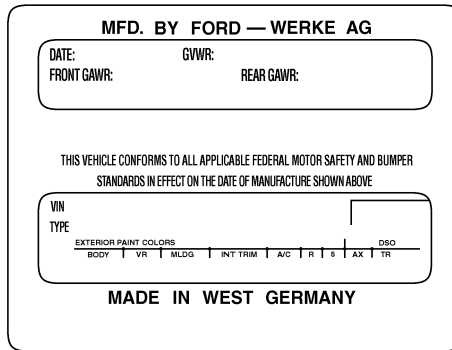
ENGINE TYPE

5=1.6 Litre D.O.H.C.
6=1.6 Litre S.O.H.C.
8=1.8 Litre

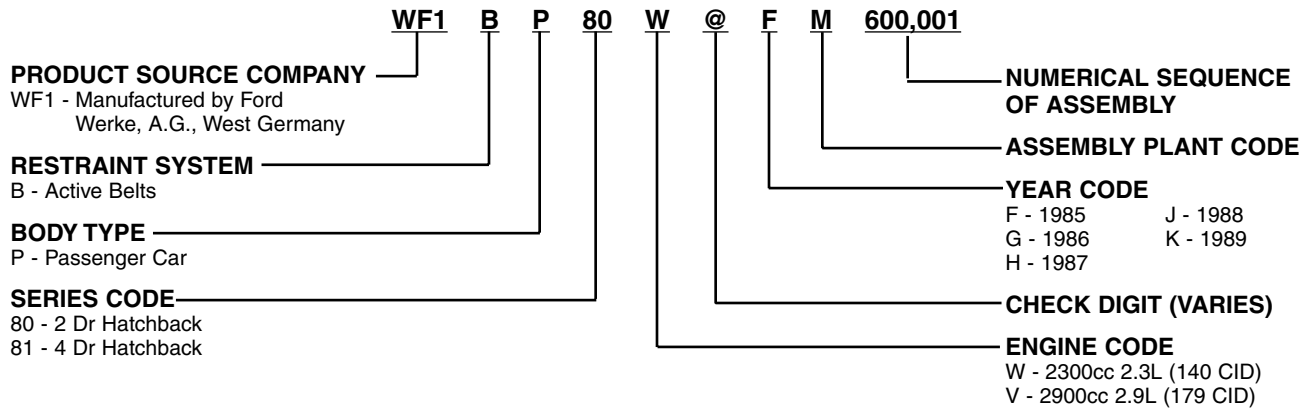
SCORPIO, XR4Ti

IDENTIFICATION NUMBER OR PLATE LOCATION

LOCATION: The Vehicle Identification Number (VIN) is stamped on a metal plate. The plate is attached to the upper left corner of the instrument panel and is visible from outside the vehicle through the windshield. It can also be found on the Vehicle Certification Label located on the left front door lock face panel and/or door pillar.



VEHICLE IDENTIFICATION NUMBER - FIRST LINE



SCORPIO, XR4Ti

YEAR	MODEL	ENGINE	DISPLACEMENT	TRANS TYPE
1988-89	4 Dr Hatchback	V6	2900cc 2.9 Litre	5 Spd Std 4 Spd Auto

XR4Ti

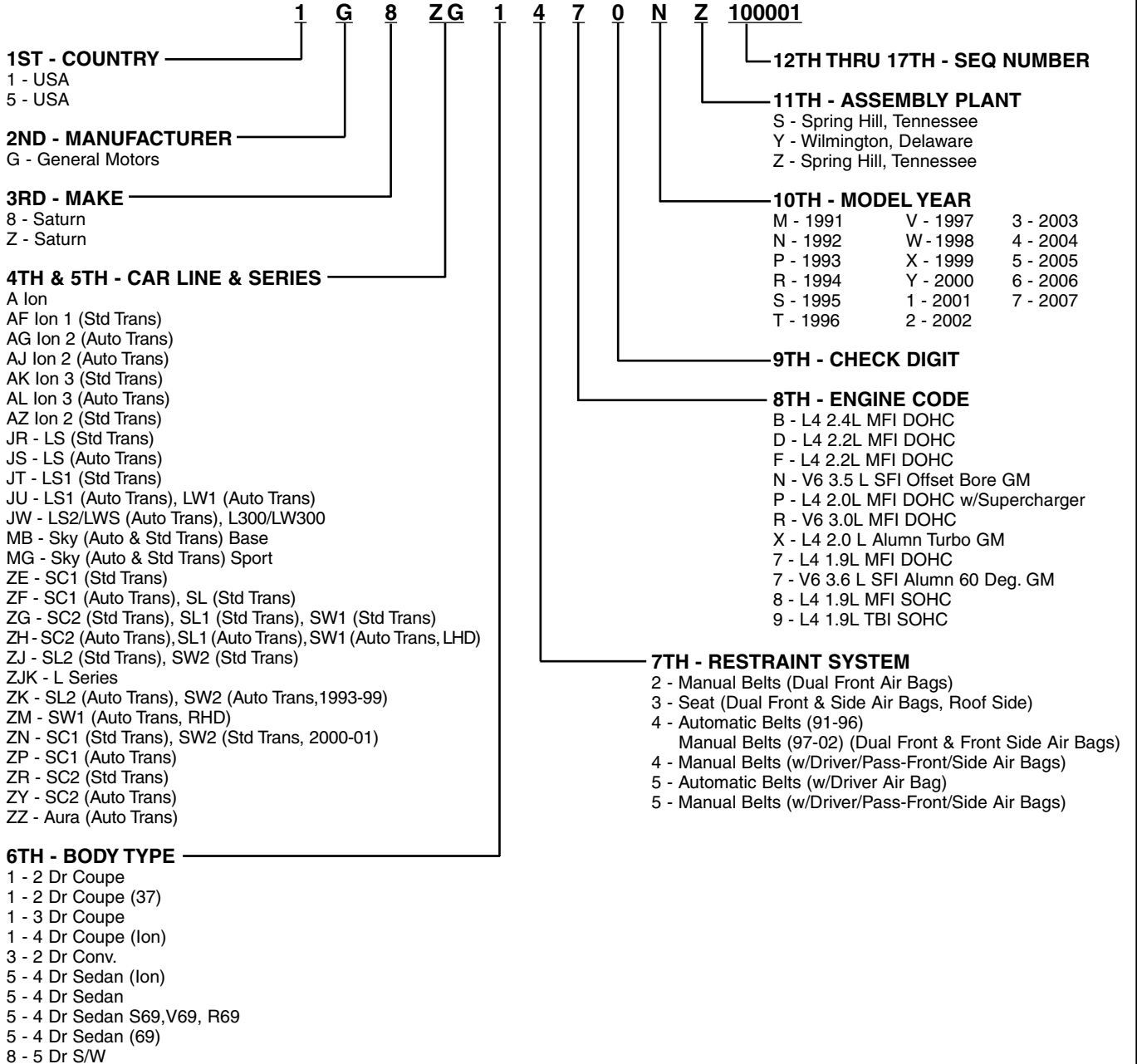
YEAR	MODEL	ENGINE	DISPLACEMENT	TRANS TYPE
1985-89	2 Dr Hatchback	Four	2300cc 2.3 Litre (140 C.I.)	5 Spd Std 3 Spd Auto

SATURN

IDENTIFICATION NUMBER OR PLATE LOCATION

Identification number is located on upper left side of dash panel, visible through windshield.

1991-2007



ENGINE IDENTIFICATION NUMBER LOCATION

Four - Engine number consists of five digits and is stamped on the left side of cylinder block.
 VG - N.A.

CHRYSLER MOTORS

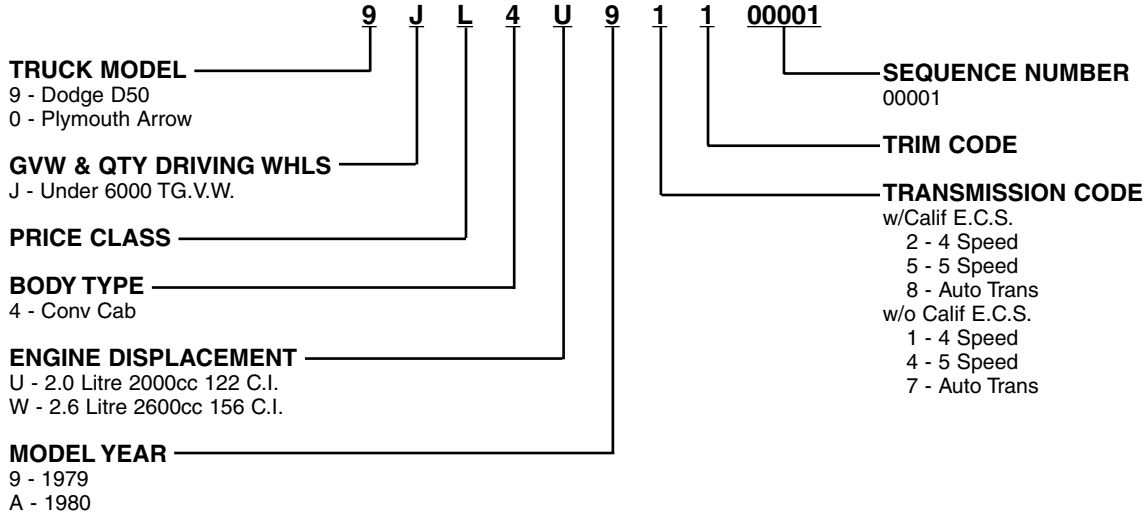
ARROW TRUCK, D50, RAM 50 & RAIDER

IDENTIFICATION NUMBER OR PLATE LOCATION

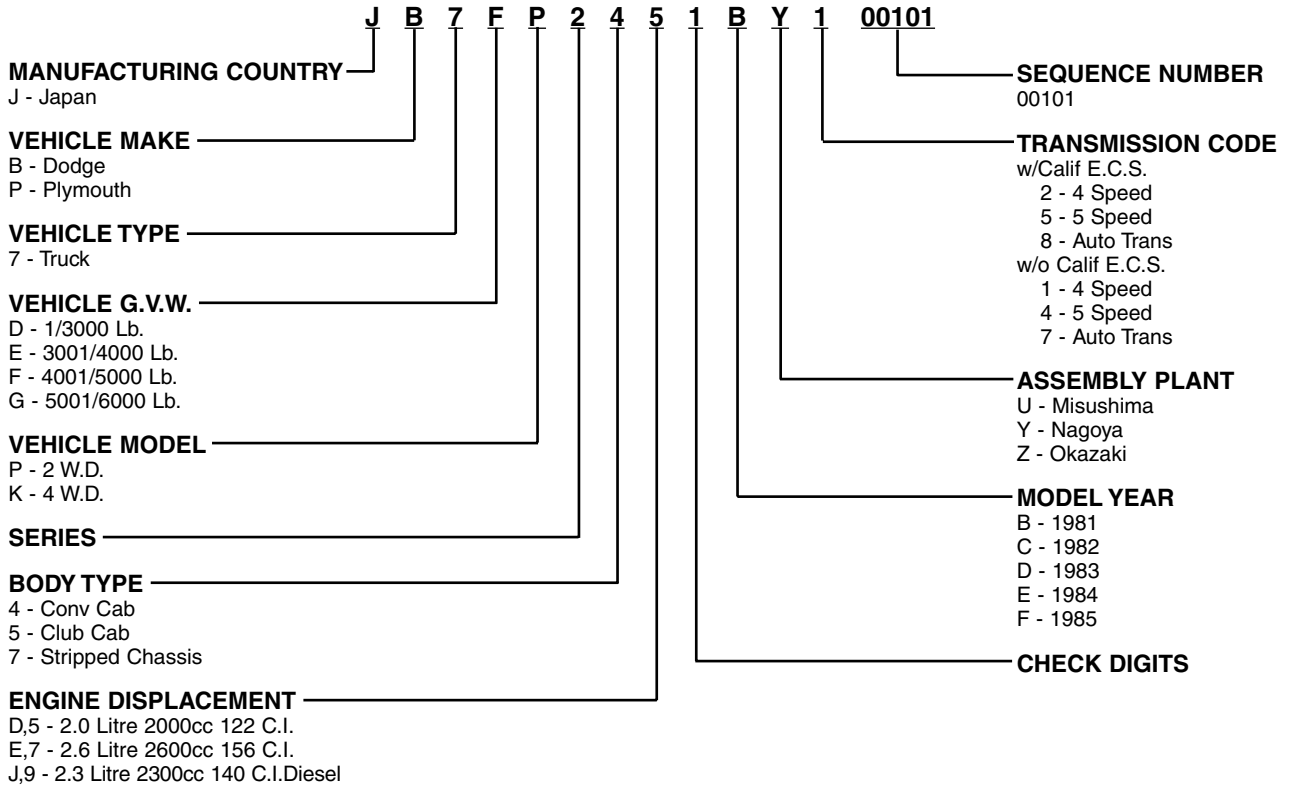
Model identification plates are located on left upper dash panel, visible through windshield.

SAMPLE VIN:

1979-80

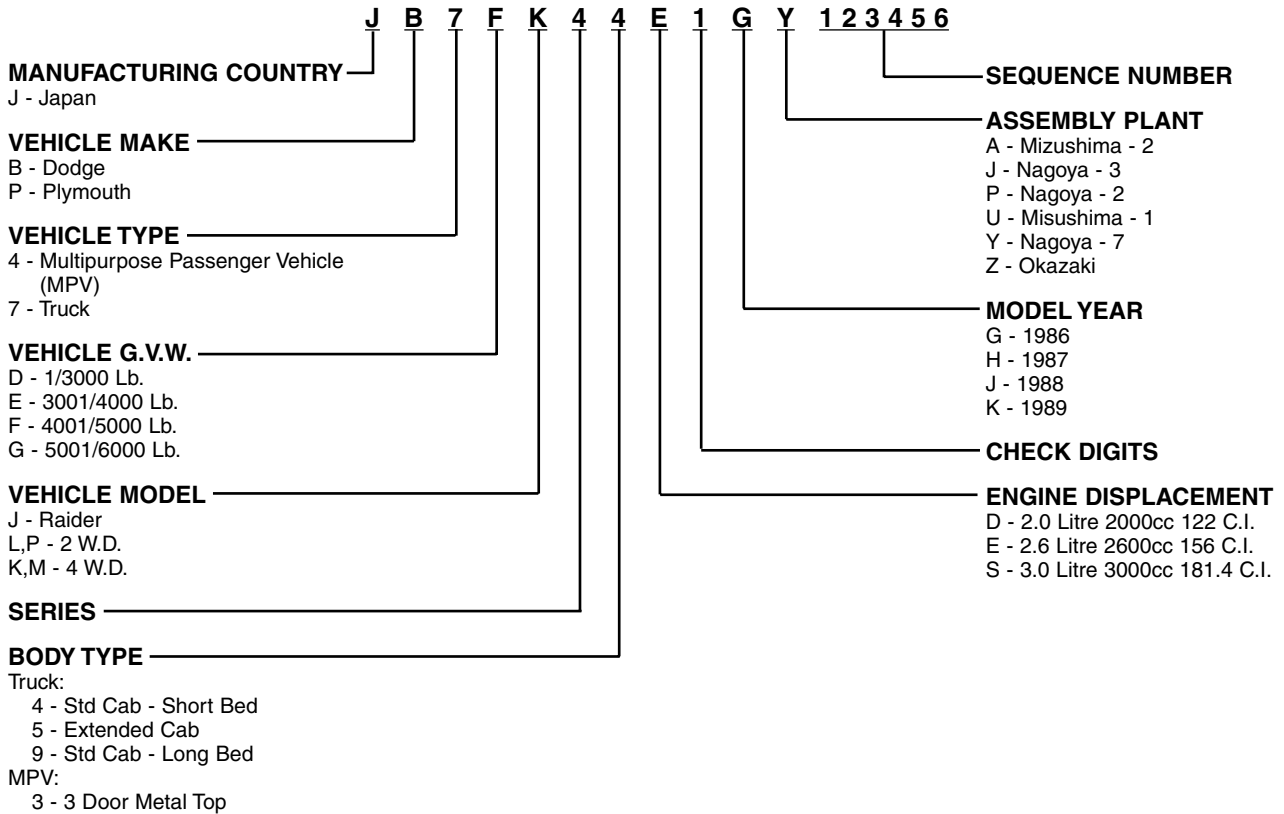


1981-85

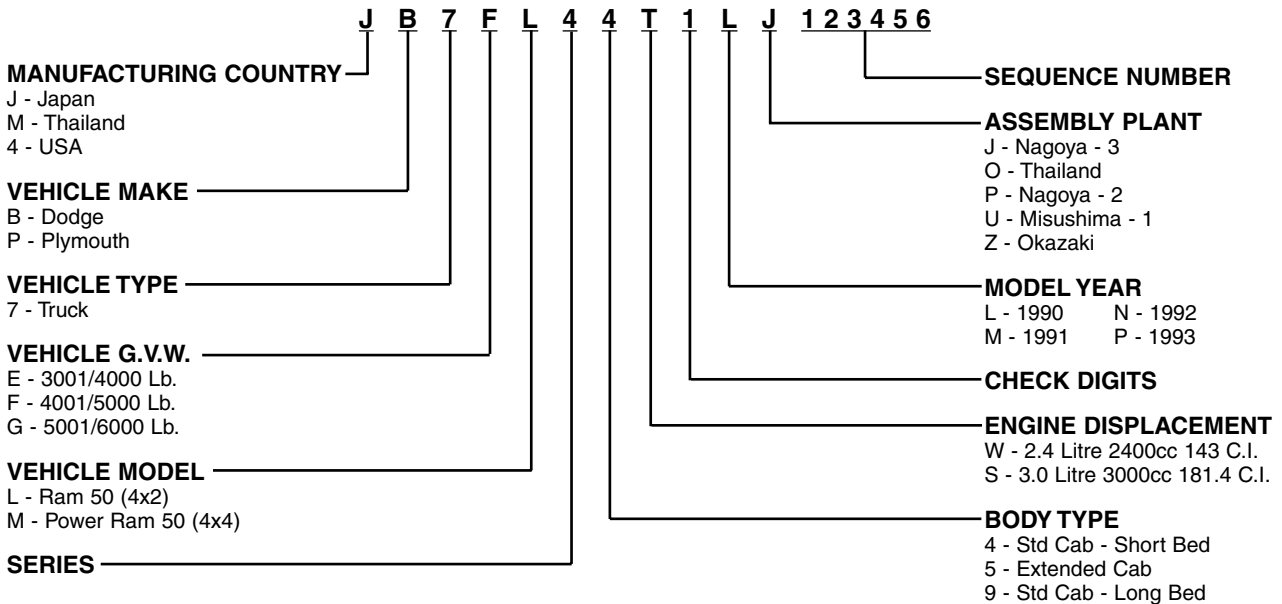


ARROW TRUCK, D50, RAM 50 & RAIDER (Cont.)

1986-89



1990-93



ARROW TRUCK, D50, RAM 50 & RAIDER (Cont.)

ENGINE IDENTIFICATION NUMBER LOCATION

Engine model number and serial number are stamped at the right front side on top edge of cylinder block. Engine model numbers are as follows:

ENGINE IDENTIFICATION CODES

DISPLACEMENT	ENGINE CODE
2.0 Litre	G52B or G63B
2.3 Litre	4D55
2.4 Litre	4G64
2.6 Litre	G54B
3.0 Litre	6G72

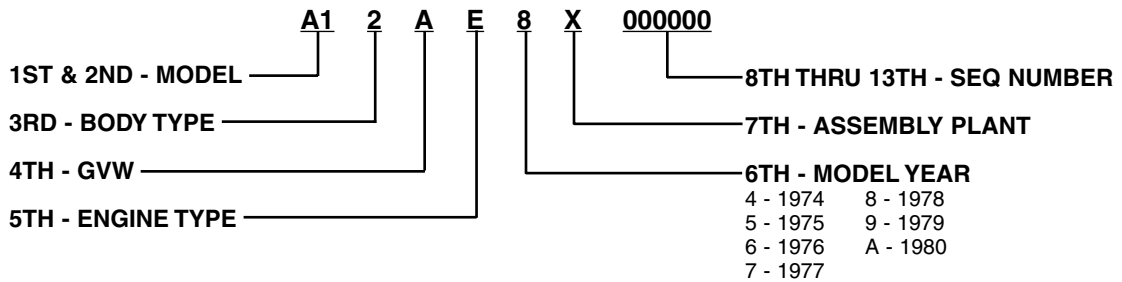
ASPEN, CAB & CHASSIS, CALIBER, CARAVAN, CHARGER, DAKOTA, DURANGO,
 GRAND CARAVAN, GRAND VOYAGER, NITRO, PACIFICA, PICKUP, PT CRUISER,
 RAM PICKUP, RAM VAN, RAM WAGON, RAMCHARGER, SPRINTER
 TOWN & COUNTRY, TRAIL DUSTER, VOYAGER

LOCATION: The vehicle identification number is located on a metal plate attached to the latch side of the left front door pillar or door frame. It can also be found on the left side of the instrument panel visible through windshield on 1981 and up vehicles.

SAMPLE VIN:

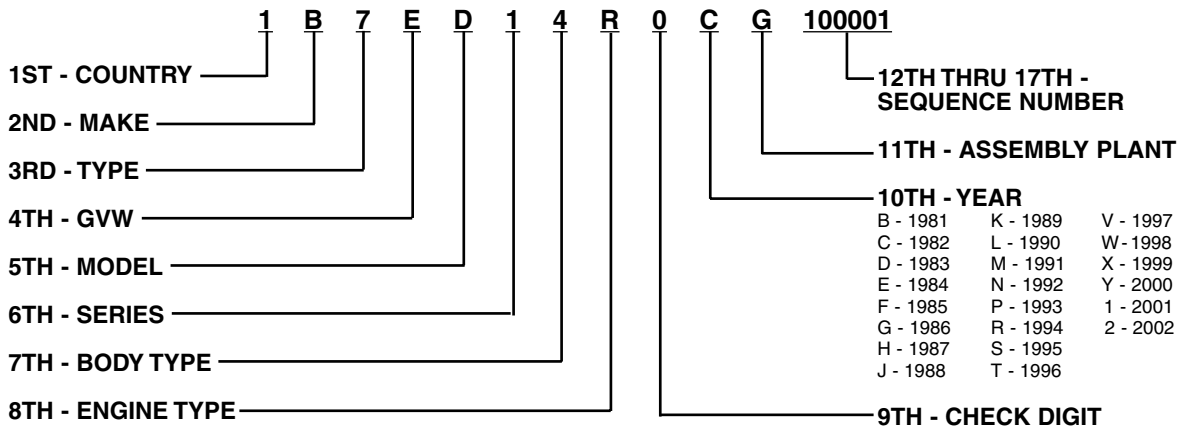
1974-80

(13 DIGIT NUMBER)



1981-2002

(17 DIGIT NUMBER)



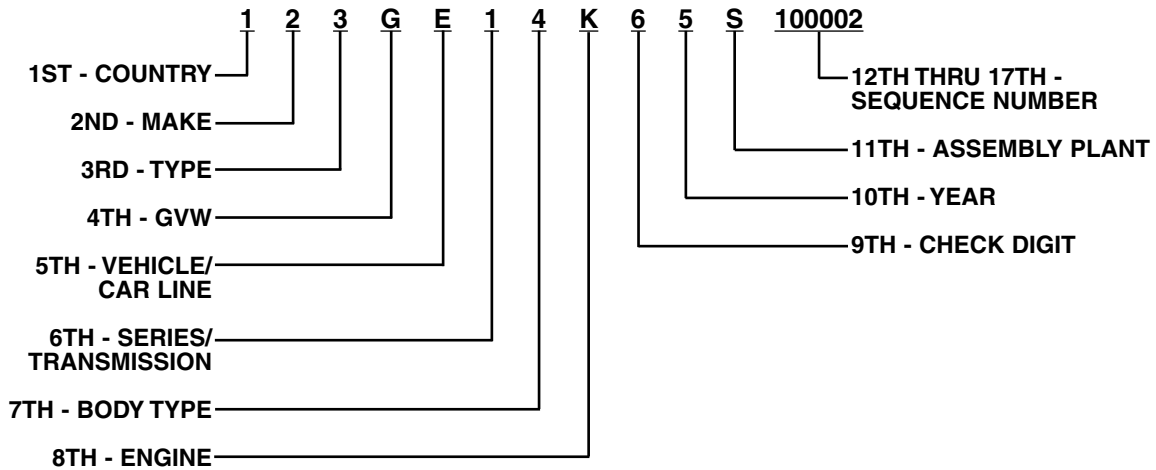
VEHICLE IDENTIFICATION

VIN DECODING

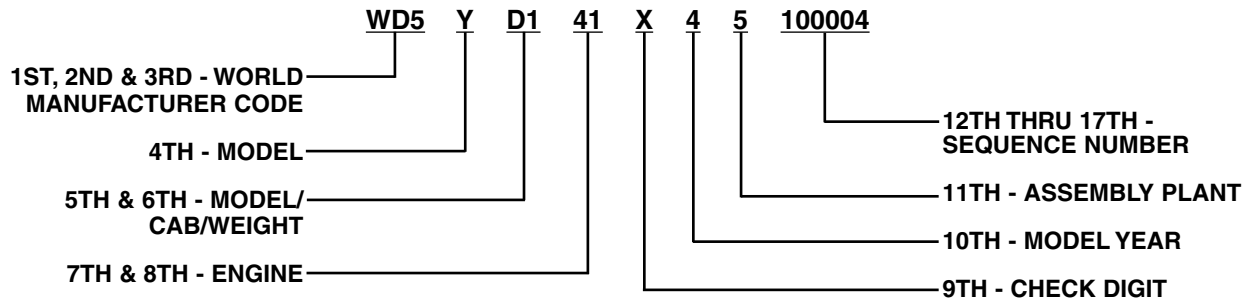
CHRYSLER MOTORS

2003-07

(17 DIGIT NUMBER)



SPRINTER



1990-99 CHRYSLER TRUCK

1st Position - COUNTRY

- 1 U.S.A.
- 2 Canada
- 3 Mexico

2nd Position - MAKE

- C Chrysler

3rd Position - TYPE

- 4 Multipurpose Passenger Vehicle (MPV)

4th Position - SAFETY SYSTEM

- A Air Bag
- B Manual Seat Belts
- C Automatic Seat Belts
- X Driver Air Bag, Passenger Manual Seat Belt
- Y Driver Air Bag, Passenger Automatic Seat Belt

5th Position - MODEL

- H Town and Country FWD
- K Town and Country 4WD

6th Position - SERIES

- 1 Economy
- 2 Low
- 3 Medium
- 4 High
- 5 Premium
- 6 Special/Sport
- 7 Performance/Image

7th Position - BODY TYPE

- 0 Extended Wagon (1990)
- 1 Wagon (1990)
- 4 Extended Wagon (1991-99)
- 5 Wagon (1991-99)

8th Position - ENGINE TYPE

- L 6-232 (3.8L) MPFI
- R 6-201 (3.3L) MPFI
- T 6-201 (3.3L) MPFI

9th Position - CHECK DIGIT

10th Position - MODEL YEAR

- L 1990 P 1993 T 1996 X 1999
- M 1991 R 1994 V 1997
- N 1992 S 1995 W 1998

11th Position - ASSEMBLY PLANT

12th thru 17th Positions - SEQUENCE NUMBER

2000-05 CHRYSLER TRUCK

1st Position - COUNTRY

- 1 U.S.A.
- 2 Canada
- 3 Mexico

2nd Position - MAKE

- C Chrysler

3rd Position - TYPE

- 3 Passenger Car (PT Cruiser - 2005)
- 4 Multipurpose Passenger Vehicle (MPV)
- 8 Multipurpose Passenger Vehicle (MPV)

4th Position - SAFETY SYSTEM/WEIGHT/ G. V. W./OTHER

- A Air Bag
- B Manual Seat Belts
- C Automatic Seat Belts
- E 2000-04 Active Restraint, Passenger Air Bag
- F 2005 Active Driver & Passenger Air Bags w/o Side Air Bags
- F 1815-2267 kg (4001-5000 lbs) 04-05 Pacifica
- G 2268-2721 kg (5001-6000 lbs) 04 Pacifica

- H Dual Front Air Bags
- K Dual Front Side Air Bags
- X Driver Air Bag, Passenger Manual Seat Belt
- Y Driver Air Bag, Passenger Automatic Seat Belt

5th Position - MODEL

- F Pacifica AWD
- M Pacifica FWD
- P Town and Country FWD/Voyager FWD
- T Town and Country AWD
- Y PT Cruiser (LHD)
- 2 Pt Cruiser (LHD) Mexico
- 4 Pt Cruiser (RHD)

6th Position - SERIES/SERIES P5/TRANSMISSION

- 1 Economy
- 2 Low
- 3 Medium
- 4 2000-04 High
- 5 2005 Pt Cruiser
- 6 2000-04 Premium
- 7 2005 Pt Cruiser Touring
- 8 2000-04 Pacifica, Pt Cruiser, Voyager Special/Sport
- 9 2000-04 Town & Country - Sport
- 0 2005 Pt Cruiser GT
- 1 2005 Town & Country - Sport
- 2 2000-03 Performance/Image
- 3 2004-05 Town & Country - Special
- 4 2004-05 Pt Cruiser GT
- B 4 Speed Automatic 2004-05 Pt Cruiser
- N 5 Speed Manual 2004-05 Pt Cruiser

2000-05 CHRYSLER TRUCK (Cont.)

7th Position - BODY TYPE

4	Extended Wagon	2000-04
	Extended Wagon	2005 Pacifica, Town & Country
5	Wagon	2000-04
	Wagon	2005 Pacifica, Town & Country
	2 Dr Convertible	2005 Pt Cruiser
8	4 Dr Wagon	2000-04
	4 Dr Wagon	2005 Pacifica, Town & Country
	Hatchback	2005 Pt Cruiser

8th Position - ENGINE TYPE

B	4-146 (2.4L)	MPFI EDZ
G	4-146 (2.4L)	MPFI EDV
L	6-232 (3.8L)	MPFI EGH
R	6-201 (3.3L)	MPFI EGA
T	6-201 (3.3L)	MPFI
3	6-201 (3.3L)	MPFI EGM
4	6-215 (3.5L)	MPI EGN 24 Valve (Pacifica 04)
8	4-146 (2.4L)	MPFI EDT

9th Position - CHECK DIGIT

10th Position - MODEL YEAR

Y	2000	2	2002	4	2004
1	2001	3	2003	5	2005

11th Position - ASSEMBLY PLANT

12th thru 17th Positions - SEQUENCE NUMBER

2006-07 CHRYSLER TRUCK

1st Position - COUNTRY

1	U.S.A.
2	Canada
3	Mexico

2nd Position - MAKE

A,C	Chrysler
-----	----------

3rd Position - TYPE

3	Passenger Car (PT Cruiser)
4	Multipurpose Passenger Vehicle (MPV) w/o Side Air Bags (Aspen, Pacifica, Town & Country)
8	Multipurpose Passenger Vehicle (MPV) w/ Side Air Bags (Aspen, Pacifica, Town & Country)

4th Position - SAFETY SYSTEM/WEIGHT/ G. V. W./OTHER

F	1815-2267 kg (4001-5000 lbs) (Pacifica)
G	2268-2721 kg (5001-6000 lbs) (Pacifica, Town & Country)
H	Next Generation Multistage Front Air Bags (PT Cruiser)
H	6001-7000 lbs.
K	Advance Multistage Front Air Bags (PT Cruiser)

5th Position - MODEL

F	Pacifica AWD
H	Pacifica RHD
H	PT Cruiser FWD (RHD)
M	Pacifica FWD
P	Town and Country FWD
T	Town and Country AWD
W	Aspen 4WD
X	Aspen RWD
Y	PT Cruiser (LHD) U.S., Canada, Export
2	PT Cruiser (LHD) Mexico

6th Position - SERIES

2	Low Line
3	Medium
4	High Line
4	PT Cruiser U.S., Canada
4	PT Cruiser Classic - Export
5	PT Cruiser Touring - U.S., Canada
5	PT Cruiser Touring - U.S., Canada, Export
5	Premium Aspen, Pacifica, PT Cruiser, Town & Country
6	PT Cruiser Limited - U.S., Canada, Export
6	PT Cruiser Cabrio Limited - Export
6	Sport Pacifica, Town & Country
7	PT Cruiser Cabrio GT - Export
7	PT Cruiser Cabrio GT - U.S., Canada
7	PT Cruiser Cabrio GT - U.S., Canada, Export
7	Special

7th Position - BODY TYPE

4	Extended Wagon	Town & Country
5	2 Dr Conv	PT Cruiser

5	4 Dr Wagon	Town & Country
8	Hatchback	PT Cruiser
8	4 Dr Sport Utility	Aspen, Pacifica

8th Position - ENGINE TYPE

B	I4 (2.4L) 16 Valve DOHC, Gas SMPI (PT Cruiser)
E	I4 (2.4L) 16 Valve DOHC, Turbo, Gas SMPI (PT Cruiser)
E	V6 (3.3L) OHV Flex Fuel (Town & Country)
G	I4 (2.4L) 16 Valve DOHC High Output, Turbo Gas (PT Cruiser)
L	V6 (3.8L) SMPI (Pacifica, Town & Country)
N	V8 (4.7L) Magnum Gasoline Sales Code (EVAP)
P	V8 (4.7L) Flex Fuel Sales Code (EVD)
R	V6 (3.3L) OHV Gas (Town & Country)
S	I4 (2.4L) 16 Valve DOHC High Output, Turbo Gas (PT Cruiser)
X	I4 (2.4L) 16 Valve DOHC Gas (PT Cruiser)
X	V6 (4.0L) SOHC (Pacifica)
2	V8 (5.7L) HEMI Multiple Displacement Gasoline Sales Code (EZB)
4	V6 (3.5L) 24 Valve MPI (Pacifica)
8	I4 (2.4L) 16 Valve DOHC Turbo Gas (PT Cruiser)

9th Position - CHECK DIGIT

10th Position - MODEL YEAR

6	2006	7	2007
---	------	---	------

11th Position - ASSEMBLY PLANT

12th thru 17th Positions - SEQUENCE NUMBER

1974-77 DODGE TRUCK

1st Position & 2nd Positions - MODEL

A1	AW100 Ramcharger 4X4
E1	AD100 Ramcharger 4X2
B1	B100 Van
B2	B200 Van
B3	B300 Van
D1	D100 Pickup 4X2
D2	D200 Pickup 4X2
D3	D300 Pickup 4X2
W1	W100 Pickup 4X4
W2	W200 Pickup 4X4
W3	W300 Pickup 4X4

3rd Position - BODY TYPE

0	Sport Utility (Ramcharger)
1	Van (Tradesman), Conv Cab
2	Van (Sportsman), Crew Cab
3	Van (Custom Sportsman), Conv Cab w/Utiline
4	Van (Royal Sportsman), Conv Cab w/Sweptline
5	Maxivan (Tradesman), Crew Cab w/Utiline
6	Maxivan (Sportsman), Crew Cab w/Sweptline
7	Maxivan (Custom Sportsman), Club Cab w/Sweptline
8	Maxivan (Royal Sportsman), Club Cab

4th Position - GVW

A	up to 6,000
B	6,001 - 10,000
C	10,001 - 14,000
D	14,001 - 16,000

5th Position - ENGINE TYPE

A	8-440	4BC
B	6-225	1BC
C	6-225	2BC
D	8-440	4BC
E	8-318	2BC
F	8-360	2BC
G	8-318	2BC
J	8-400	2BC
K	8-360	4BC

6th Position - MODEL YEAR

4	1974
5	1975
6	1976
7	1977

7th Position - ASSEMBLY PLANT

8th thru 13th Positions - SEQUENCE NUMBER

A sequential number assigned by the manufacturer.

1978-80 DODGE TRUCK

1st Position & 2nd Positions - MODEL

A1	AW100 Ramcharger 4X4
B1	B100 Van

B2	B200 Van
B3	B300 Van
D1	D100, D150 Pickup 4X2
D2	D200 Pickup 4X2
D3	D300 Pickup 4X2
E1	AD100 Ramcharger 4X2
W1	W100, W150 Pickup 4X4
W2	W200 Pickup 4X4
W3	W300 Pickup 4X4

3rd Position - BODY TYPE

0	Sport Utility (Ramcharger)
1	Van (Tradesman), Conv Cab & Chassis
2	Van (Sportsman), Crew Cab & Chassis
3	Conv Cab w/Utiline
4	Conv Cab w/Sweptline
5	Maxivan (Tradesman), Crew Cab w/Utiline
6	Maxivan (Sportsman), Crew Cab w/Sweptline
7	Club Cab w/Sweptline
8	Club Cab
9	Club Cab w/Utiline

4th Position - GVW

A	up to 6,000
B	6,001 - 10,000
C	10,001 - 14,000
D	14,001 - 16,000

5th Position - ENGINE TYPE

A	8-440	4BC
B	6-225 (3.7)	2BC
C	6-225 (3.7)	1BC
D	8-440	4BC
E	8-318 (5.2)	2BC
F	8-360 (5.9)	2BC
G	8-318 (5.2)	2BC
H	6-243 (4.0)	Diesel
K	8-360 (5.9)	2BC
N	6-225 (3.7)	1BC
P	8-318 (5.2)	4BC
S	8-360 (5.9)	4BC (Hi Perf.)
T	8-360 (5.9)	4BC

6th Position - MODEL YEAR

8	1978
9	1979
A	1980

7th Position - ASSEMBLY PLANT

8th thru 13th Positions - SEQUENCE NUMBER

A sequential number assigned by the manufacturer.

1981 DODGE TRUCK

1st Position - COUNTRY

1	Built in U.S.A.
2	Built in Canada

2nd Position - MAKE

B	Dodge
---	-------

3rd Position - TYPE

4	Multipurpose Passenger Vehicle
5	Bus
6	Incomplete Vehicle
7	Truck

4th Position - GVW/Other

D	up to 3,000
E	3,001 - 4,000
F	4,001 - 5,000
G	5,001 - 6,000
H	6,001 - 7,000
J	7,001 - 8,000
K	8,001 - 9,000
L	9,001 - 10,000
M	10,001 - 14,000
N	14,001 - 16,000

5th Position - MODEL

B	Ram Van, Motor Home Van
C	Ram Kary Van; Commercial Chassis
D	Pickup 4X2, Chassis Cab 4X2, Ramcharger 4X2
F	Motor Home Chassis
W	Pickup 4X4, Chassis Cab 4X4, Ramcharger 4X4

6th Position - SERIES

1	150
2	250
3	350

VEHICLE IDENTIFICATION

VIN DECODING

CHRYSLER MOTORS

1981 DODGE TRUCK (Cont.)**7th Position - BODY TYPE**

- 1 Wagon
- 2 Sport Utility
- 3 Van
- 4 Conv Cab
- 5 Club Cab
- 6 Crew Cab
- 7 Stripped Chassis
- 8 Front Section

8th Position - ENGINE TYPE

- E 6-225 (3.7) 1BC
- P 8-318 (5.2) 2BC
- R 8-318 (5.2) 4BC
- S 8-360 (5.9) 2BC
- T 8-360 (5.9) 4BC Std Dty
- U 8-360 (5.9) 4BC Hvy Dty - Sgl Exh
- V 8-360 (5.9) 4BC Hvy Dty - Dual Exh

9th Position - CHECK DIGIT**10th Position - MODEL YEAR**

- B 1981

11th Position - ASSEMBLY PLANT**12th thru 17th Positions - SEQUENCE NUMBER**

A sequential number assigned by the manufacturer.

1982 DODGE TRUCK**1st Position - COUNTRY**

- 1 Built in U.S.A.
- 2 Built in Canada

2nd Position - MAKE

- B Dodge

3rd Position - TYPE

- 4 Multipurpose Passenger Vehicle
- 5 Bus
- 6 Incomplete Vehicle
- 7 Truck

4th Position - GVW

- D up to 3,000
- E 3,001 - 4,000
- F 4,001 - 5,000
- G 5,001 - 6,000
- H 6,001 - 7,000
- J 7,001 - 8,000
- K 8,001 - 9,000
- L 9,001 - 10,000
- M 10,001 - 14,000
- N 14,001 - 16,000

5th Position - MODEL

- B Ram Van, Motor Home Van
- C Ram Kary Van
- D Pickup 4X2, Chassis Cab 4X2, Ramcharger 4X2
- H Motor Home Chassis
- W Pickup 4X4, Chassis Cab 4X4, Ramcharger 4X4

6th Position - SERIES

- 1 150
- 2 250
- 3 350

7th Position - BODY TYPE

- 1 Wagon
- 2 Sport Utility
- 3 Van
- 4 Conv Cab
- 5 Club Cab
- 6 Crew Cab
- 7 Step Van
- 8 Front Section

8th Position - ENGINE TYPE

- E 6-225 (3.7) 1BC
- P 8-318 (5.2) 2BC
- R 8-318 (5.2) 4BC
- S 8-360 (5.9) 2BC
- T 8-360 (5.9) 4BC Std Dty
- U 8-360 (5.9) 4BC Hvy Dty - Sgl Exh
- V 8-360 (5.9) 4BC Hvy Dty - Dual Exh
- W 6-225 (3.7) 2BC

9th Position - CHECK DIGIT**10th Position - MODEL YEAR**

- C 1982

11th Position - ASSEMBLY PLANT**12th thru 17th Positions - SEQUENCE NUMBER**

A sequential number assigned by the manufacturer.

1983 DODGE TRUCK**1st Position - COUNTRY**

- 1 Built in U.S.A.
- 2 Built in Canada

2nd Position - MAKE

- B Dodge

3rd Position - TYPE

- 4 Multipurpose Passenger Vehicle
- 5 Bus
- 6 Incomplete Vehicle
- 7 Truck

4th Position - GVW/Other

- B Manual Seat Belts
- D up to 3,000
- E 3,001 - 4,000
- F 4,001 - 5,000
- G 5,001 - 6,000
- H 6,001 - 7,000
- J 7,001 - 8,000
- K 8,001 - 9,000
- L 9,001 - 10,000
- M 10,001 - 14,000
- N 14,001 - 16,000

5th Position - MODEL

- B Ram Van, Motor Home Van
- C Ram Kary Van
- D Pickup 4X2, Chassis Cab 4X2, Ramcharger 4X2
- F Motor Home Chassis
- W Pickup 4X4, Chassis Cab 4X4, Ramcharger 4X4

6th Position - SERIES

- 1 150
- 2 250
- 3 350

7th Position - BODY TYPE

- 1 Wagon
- 2 Sport Utility
- 3 Van
- 4 Conv Cab
- 5 Club Cab
- 6 Crew Cab
- 7 Stripped Chassis
- 8 Front Section

8th Position - ENGINE TYPE

- H 6-225 (3.7) 1BC
- M 6-225 (3.7) 2BC
- T 8-318 (5.2) 2BC
- U 8-318 (5.2) 4BC
- V 8-360 (5.9) 4BC Hvy Dty
- W 8-360 (5.9) 4BC exc Calif
- 1 8-360 (5.9) 4BC Calif

9th Position - CHECK DIGIT**10th Position - MODEL YEAR**

- C 1982

11th Position - ASSEMBLY PLANT**12th thru 17th Positions - SEQUENCE NUMBER**

A sequential number assigned by the manufacturer.

1984-85 DODGE TRUCK**1st Position - COUNTRY**

- 1 U.S.A.
- 2 Canada

2nd Position - MAKE

- B Dodge

3rd Position - TYPE

- 4 Multipurpose Passenger Vehicle
- 5 Bus
- 6 Incomplete Vehicle
- 7 Truck

4th Position - GVW/Other

- B Manual Seat Belts
- D up to 3,000
- E 3,001 - 4,000
- F 4,001 - 5,000
- G 5,001 - 6,000
- H 6,001 - 7,000
- J 7,001 - 8,000

- K 8,001 - 9,000
- L 9,001 - 10,000
- M 10,001 - 14,000

5th Position - MODEL

- B Ram Van, Ram Wagon
- D Pickup 4X2, Chassis Cab 4X2, Ramcharger 4X2
- K Caravan
- W Pickup 4X4, Chassis Cab 4X4, Ramcharger 4X4

6th Position - SERIES

- 1 Economy - 150
- 2 Low - 250
- 3 Medium - 350
- 4 High
- 5 Premium
- 6 Special

7th Position - BODY TYPE

- 1 Wagon
- 2 Sport Utility
- 3 Van
- 4 Conv Cab
- 6 Crew Cab
- 7 Step Van

8th Position - ENGINE TYPE

- C 4-135 (2.2) 2BC
- G 4-156 (2.6) 2BC
- H 6-225 (3.7) 1BC
- N 6-225 (3.7) 1BC Special
- T 8-318 (5.2) 2BC
- U 8-318 (5.2) 4BC
- V 8-360 (5.9) 2BC
- W 8-360 (5.9) 4BC exc Calif
- 1 8-360 (5.9) 4BC Calif

9th Position - CHECK DIGIT**10th Position - MODEL YEAR**

- E 1984
- F 1985

11th Position - ASSEMBLY PLANT**12th thru 17th Positions - SEQUENCE NUMBER**

A sequential number assigned by the manufacturer.

1986-88 DODGE TRUCK**1st Position - COUNTRY**

- 1 U.S.A.
- 2 Canada
- 3 Mexico

2nd Position - MAKE

- B Dodge

3rd Position - TYPE

- 4 Multipurpose Passenger Vehicle
- 5 Bus
- 6 Incomplete Vehicle
- 7 Truck

4th Position - GVW/Other

- A Air Bags
- B Manual Seat Belts
- D up to 3,000
- E 3,001 - 4,000
- F 4,001 - 5,000
- G 5,001 - 6,000
- H 6,001 - 7,000
- J 7,001 - 8,000
- K 8,001 - 9,000
- L 9,001 - 10,000
- M 10,001 - 14,000
- W Hyd Brakes

5th Position - MODEL

- B Ram Van, Ram Wagon
- D Pickup 4X2, Chassis Cab 4X2, Ramcharger 4X2
- K Caravan (MPV), Mini Ram Van
- N Dakota 4X2
- R Dakota 4X4
- W Pickup 4X4, Chassis Cab 4X4, Ramcharger 4X4

6th Position - SERIES

- 0 100
- 1 Economy - 150
- 2 Low - 250
- 3 Medium - 350
- 4 High
- 5 Premium
- 6 Special

Cont.

1986-88 DODGE TRUCK (Cont.)**7th Position - BODY TYPE**

- 0 Ext Wagon
- 1 Wagon
- 2 Sport Utility
- 3 Van
- 4 Conv Cab
- 5 Club Cab
- 7 Step Van
- 8 Front Section
- 9 Stripped Chassis

8th Position - ENGINE TYPE

- C 4-135 (2.2) 2BC
- G 4-156 (2.6) 2BC
- H 6-225 (3.7) 1BC
- K 4-153 (2.5) TBI
- M 6-239 (3.9) 2BC
- S 8-318 (5.2) 4BC
- T 8-318 (5.2) 2BC
- W 8-360 (5.9) 4BC exc Calif
- X 6-239 (3.9) TBI
- Y 8-318 (5.2) TBI
- 1 8-360 (5.9) 4BC Calif
- 3 6-181 (3.0) EFI (1986-87)
- 3 6-181 (3.0) MPFI (1988)
- 5 8-360 (5.9) 4BC Hvy Dty

9th Position - CHECK DIGIT**10th Position - MODEL YEAR**

- G 1986
- H 1987
- J 1988

11th Position - ASSEMBLY PLANT**12th thru 17th Positions - SEQUENCE NUMBER**

A sequential number assigned by the manufacturer.

1989-99 DODGE TRUCK**1st Position - COUNTRY**

- 1 U.S.A.
- 2 Canada
- 3 Mexico

2nd Position - MAKE

- B Dodge

3rd Position - TYPE

- 4 Multipurpose Passenger Vehicle (MPV)
- 5 Bus
- 6 Incomplete Vehicle
- 7 Truck

4th Position - GVW/Other

- A Air Bag
- B Manual Seat Belts
- C Automatic Seat Belts
- D up to 3,000
- E 3,001 - 4,000
- F 4,001 - 5,000
- G 5,001 - 6,000
- H 6,001 - 7,000
- J 7,001 - 8,000
- K 8,001 - 9,000
- L 9,001 - 10,000
- M 10,001-14,000
- W Hyd Brakes
- X Driver Air Bag, Passenger Manual Seat Belt
- Y Driver Air Bag, Passenger Automatic Seat Belt

5th Position - MODEL

- B Ram Van, Ram Wagon
- C Ram Chassis Cab 4X2, Ram Pickup 4X2
- E Pickup 4X2, Chassis Cab 4X2, Ramcharger 4X2
- F Ram Chassis Cab, Ram Pickup 4X4
- G Dakota 4X4
- H Caravan FWD
- K Caravan RWD
- L Dakota 4X2
- M Pickup 4X4, Chassis Cab 4X4, Ramcharger 4X4
- R Durango 4X2
- S Durango 4X4

6th Position - SERIES

- B & D BODY
(Chassis Cab, Pickup, Ramcharger, Van, Wagon)
- 0 100 Job Rated Truck
- 1 150 Job Rated Truck

- 2 250 Job Rated Truck
- 3 350 Job Rated Truck
- N BODY (Dakota, Durango)
- 1 (E) Economy
- 2 (L) Low Line
- 3 (M) Medium Line
- 4 (H) High Line
- 5 (P) Premium
- 6 (S) Sport
- 7 (X) Special
- 9 S.E.C. KPPF81 for Shelby Built (1990)

R BODY

- 1 1500 Job Rated Truck
- 2 2500 Job Rated Truck
- 3 3500 Job Rated Truck

S BODY (Caravan)

- 1 Economy
- 2 Low
- 3 Medium
- 4 High
- 5 Premium

S BODY (Caravan) (Cont.)

- 6 Special/Sport
- 7 Performance/Image

7th Position - BODY TYPE

- 0 Front Section
- 1 Van
- 2 Step Van
- 3 Club Cab (1989)
- 3 Club Cab (1990-99)
- 4 Extended Wagon/Van
- 5 Wagon
- 6 Conventional Cab
- 7 Sport Utility 2 Door
- 8 Sport Utility 4 Door
- 9 Open Body/Convertible (1990)

8th Position - ENGINE TYPE

- B 2.4L 4 cyl MPFI (EDZ)
- C 5.9L 6 cyl Turbo Diesel (ETB) w/Intercooler
- D 5.9L 6 cyl Turbo Diesel (ETB) w/Intercooler
- G 2.5L 4 cyl TBI (EDA)
- J 2.5L 4 cyl Turbo (EDT)
- K 2.5L 4 cyl TBI (EDM)
- R 3.3L 6 cyl MPFI (EGA)
- W 8.0L 10 cyl MPFI (EWA)
- X 2.4L 4 cyl MPFI (EDZ)
- X 3.9L 6 cyl 1989-91 TBI (EHB)
- X 3.9L 6 cyl 1992-99 MPFI (EHC)
- Y 5.2L 8 cyl 1989-91 TBI (ELG)
- Y 5.2L 8 cyl 1992-99 MPFI (ELF)
- Z 5.9L 8 cyl 1989-92 TBI (EMG)
- Z 5.9L 8 cyl 1993-99 MPFI (EML)
- 3 3.0L 6 cyl MPFI (EFA)
- 5 5.9L 8 cyl TBI HDC (EMJ)
- 8 5.9L 6 cyl Turbo Diesel (ETA) w/o Intercooler

9th Position - CHECK DIGIT**10th Position - MODEL YEAR**

- | | | |
|--------|--------|--------|
| K 1989 | P 1993 | V 1997 |
| L 1990 | R 1994 | W 1998 |
| M 1991 | S 1995 | X 1999 |
| N 1992 | T 1996 | |

11th Position - ASSEMBLY PLANT**12th thru 17th Positions - SEQUENCE NUMBER**

A sequential number assigned by the manufacturer.

2000-02 DODGE TRUCK**1st Position - COUNTRY**

- 1 U.S.A.
- 2 Canada
- 3 Mexico

2nd Position - MAKE

- B Dodge

3rd Position - TYPE

- 4 Multipurpose Passenger Vehicle (MPV)
- 5 Bus
- 6 Incomplete Vehicle
- 7 Truck

4th Position - GVW/Other

- A Air Bag
- B Manual Seat Belts
- C Automatic Seat Belts
- D up to 3,000
- E 3,001 - 4,000

- F 4,001 - 5,000
- G 5,001 - 6,000
- H 6,001 - 7,000
- J 7,001 - 8,000
- K 8,001 - 9,000
- L 9,001 - 10,000
- M 10,001-14,000
- W Hyd Brakes
- X Driver Air Bag, Passenger Manual Seat Belt
- Y Driver Air Bag, Passenger Automatic Seat Belt

5th Position - MODEL

- A Pickup 4X2
- B Durango 4x4
- B Ram Van, Ram Wagon
- C Ram Chassis Cab 4X2, Ram Pickup 4X2
- D Durango 4x2
- E Pickup 4X2, Chassis Cab 4X2,
- F Ram Chassis Cab, Ram Pickup 4X4
- G Dakota 4X4
- L Dakota 4X2
- M Pickup 4X4, Chassis Cab 4X4
- P Caravan FWD
- R Durango 4X2
- S Durango 4X4
- T Caravan AWD 4x4
- U Pickup 4X4

6th Position - SERIES**B & D BODY**

(Chassis Cab, Pickup, Van, Wagon)

- 0 100 Job Rated Truck
- 1 150 Job Rated Truck
- 2 250 Job Rated Truck
- 3 350 Job Rated Truck
- N BODY (Dakota, Durango)
- 1 (E) Economy
- 2 (L) Low Line
- 3 (M) Medium Line
- 4 (H) High Line
- 5 (P) Premium
- 6 (S) Sport
- 7 (X) Special
- 9 S.E.C. KPPF81 for Shelby Built (1990)

R BODY, DR BODY

- 1 1500 Job Rated Truck
- 2 2500 Job Rated Truck
- 3 3500 Job Rated Truck

S BODY (Caravan)

- 1 Economy
- 2 Low
- 3 Medium
- 4 High
- 5 Premium
- 6 Special/Sport
- 7 Performance/Image

7th Position - BODY TYPE

- 0 Front Section
- 1 Van
- 2 Step Van
- 3 Club Cab
- 4 Extended Wagon/Van
- 5 Wagon
- 6 Conventional Cab
- 7 Sport Utility 2 Door
- 8 Sport Utility 4 Door

8th Position - ENGINE TYPE

- A 2.7L 5 cyl MPFI (EX9)
- B 2.4L 4 cyl MPFI (EDZ)
- C 5.9L 6 cyl Turbo Diesel (ETH)
- D 5.7L 8 cyl MPFI (EZA)
- K 3.7L 6 cyl (EKG)
- L 3.8L 6 cyl MPFI (EGH)
- N 4.7L 8 cyl MPFI (EVA)
- R 3.3L 6 cyl MPFI (EGA)
- T 5.2L 8 cyl MPFI (ELN)
- W 8.0L 10 cyl MPFI (EWA)
- X 3.9L 6 cyl MPFI (EHC)
- Y 5.2L 8 cyl MPFI (ELF)
- Z 5.9L 8 cyl MPFI (EML)
- Z 8.3L 10 cyl MPFI (EWC)
- 3 3.0L 6 cyl MPFI (EFA)
- 3 3.3L 6 cyl MPFI (EGM)
- 6 5.9L 6 cyl Turbo Diesel (ETC)
- 7 5.9L 6 cyl Turbo Diesel (ETH)

Cont.

VEHICLE IDENTIFICATION

VIN DECODING

CHRYSLER MOTORS

2000-02 DODGE TRUCK (Cont.)**9th Position - CHECK DIGIT****10th Position - MODEL YEAR**

Y 2000 2 2002

1 2001 3 2003

11th Position - ASSEMBLY PLANT**12th thru 17th Positions - SEQUENCE NUMBER**

A sequential number assigned by the manufacturer.

2003-05 DODGE TRUCK**CAB & CHASSIS, CARAVAN, DAKOTA, DURANGO, GRAND CARAVAN, PICKUP & RAM VAN****1st Position - COUNTRY**1 Manufactured by Daimler Chrysler Corp.
2 Manufactured by Daimler Chrysler Canada, Inc.
3 Manufactured by Daimler Chrysler De Mexico**2nd Position - MAKE**

2 Dodge

3rd Position - TYPE2 Incomplete w/ Side Air Bag
3 Truck with Side Air Bag
4 Multipurpose Passenger Vehicle w/o Side Air Bags
6 Incomplete w/o Side Air Bags
7 Truck w/o Side Air Bags
8 Multipurpose Passenger Vehicle w/ Side Air Bags**4th Position - GVW**

G 5,001 - 6,000 (2268-2721 kg)

H 6,001 - 7,000

J 7,001 - 8,000

K 8,001 - 9,000

L 9,001 - 10,000

M 10,001 - 14,000

W Buses/Incomplete Vehicles with Hydraulic Brakes

5th Position - VEHICLE/CAR LINEA Ram Pickup Light Duty 4X2
B Durango 4x2
C Voyager/Grand Voyager - AWD (LHD)
D Durango 4X4
E Dakota 4x2
H Voyager/Grand Voyager FWD (RHD)
J Chrysler, Voyager/Grand Voyager FWD
K Voyager/Grand Voyager AWD (LHD)
N Ram Cab Chassis 4x2 DX Family
P Chrysler Town & Country - FWD
P Dodge, Caravan/ Grand Caravan - FWD
P Dodge, Caravan C/V, Grand Caravan C/V - FWD
R Ram Pickup Heavy Duty 4x2
S Ram Pickup Heavy Duty 4x4
T Chrysler Town & Country - AWD
T Dodge, Grand Caravan - AWD
U Ram Pickup Light Duty 4x4
W Dakota 4x4
Y Voyager/Grand Voyager - FWD (LHD)
1 Chrysler Caravan - FWD**6th Position - SERIES/TRANSMISSION**

1 1500

2 2500

Low Line

Dakota ST

3 3500 Less Dual Rear Wheels

Medium

Durango ST

4 3500 with Dual Rear Wheels

High Line

Dakota SLT/Sport

Durango SLT

5 4000 DX Family

Premium

Dakota Laramie/Sport

Durango Limited

6 Sport

7 Special

7th Position - BODY STYLE1 Caravan Commercial Van Short Wheelbase
2 Club Cab Dakota
3 Extended Van - Grand Caravan C/V
4 Grand Caravan Commercial Van Long Wheelbase
4 Grand Caravan/Town & Country Long Wheelbase
4 Extended Wagon - Grand Caravan/Town & Country
5 Caravan/Voyager Wagon Sport Wheelbase
5 Wagon - Caravan, Voyager, Town & Country
6 Conventional Cab/Cab Chassis
8 Quad Cab Full Rear Doors
8 Quad Cab Dakota**8th Position - ENGINE TYPE**B 2.4L 4 Cyl 16 Valve Gas DOHC (MPI)
C 5.9L 6 Cyl Turbo Diesel High Output
D 5.7L 8 Cyl Gas (SMPI)
E 3.3L V6 Flex Fuel OHV
H 8.3L 10 Cyl Gas (SFI)
J 4.7L 8 Cyl High Output Gas (MPI)
K 3.7L 6 Cyl Gas (MPI)
L 3.8L 6 Cyl Gas (SMPI)
N 4.7L 8 Cyl Gas (MPI)
P 4.7L 8 Cyl Flex Fuel
R 3.9L 6 Cyl Gas OHV (SMPI)
5 2.8L 4 Cyl Turbo Diesel
7 2.5L 4 Cyl 16 Valve Turbo Diesel**9th Position - CHECK DIGIT**

A single number or the letter "X" used to verify the accuracy of the VIN.

10th Position - MODEL YEAR

4 2004

5 2005

11th Position - ASSEMBLY PLANT**12th thru 17th Positions - SEQUENCE NUMBER**

A sequential number assigned by the manufacturer.

SPRINTER**1st, 2nd & 3rd Positions - WORLD MANUFACTURER CODE**

WD2 Truck

WD2 Multi-purpose Vehicle

4th Position - MODEL

W Truck

Y Multi-purpose Vehicle

5th & 6th Positions - MODEL, CAB, WEIGHTD1 Sprinter, 3000mm (118 in) Wheelbase, 8001 up to 9000 lbs Class G
D2 Sprinter, 3550mm (140 in) Wheelbase, 8001 up to 9000 lbs Class G
D3 Sprinter, 4025mm (158 in) Wheelbase, 8001 up to 9000 lbs Class G
D4 Sprinter, 3550mm (140 in) Wheelbase, Van 10,001 up to 14,000 lbs Class 3
D5 Sprinter, 4025mm (158 in) Wheelbase, 10,001 up to 14,000 lbs Class 3
D6 Sprinter, 3567mm (140 in) in connection with 16" wheels, Van 8001 up to 9000 lbs Class G
D7 Sprinter, 4042mm (159 in) in connection with 16" wheels, Van 8001 up to 9000 lbs Class G**7th & 8th Position - ENGINE**

41 2.7L 5 Cyl Diesel

9th Position - CHECK DIGIT

A single number or the letter "X" used to verify the accuracy of the VIN.

10th Position - MODEL YEAR

3 2003 5 2005

4 2004

11th Position - ASSEMBLY PLANT**12th thru 17th Positions - SEQUENCE NUMBER**

A sequential number assigned by the manufacturer.

2006-2007 DODGE TRUCK**CAB & CHASSIS, CARAVAN, DAKOTA, DURANGO, GRAND CARAVAN, NITRO & PICKUP****1st Position - COUNTRY**1 Manufactured by Daimler Chrysler Corp.
2 Manufactured by Daimler Chrysler Canada, Inc.
3 Manufactured by Daimler Chrysler De Mexico**2nd Position - MAKE**

D Dodge

3rd Position - TYPE2 Incomplete w/Side Air Bags
3 Truck w/Side Air Bags
4 Multipurpose Passenger Vehicle (MPV) w/o Side Air Bags
5 Truck w/Side Air Bags
6 Incomplete w/o Side Air Bags
7 Truck w/o Side Air Bags

8 Multipurpose Passenger Vehicle (MPV) w/ Side Air Bags

4th Position - SAFETY SYSTEM/WEIGHT/GVW/ OTHER

G 5,001 - 6,000

H 6,001 - 7,000

J 7,001 - 8,000

K 8,001 - 9,000

L 9,001 - 10,000

M 10,001 - 14,000

W Buses/Incomplete Vehicles w/Hydraulic Brakes

5th Position - MODEL

A Ram Pickup 1500 4X2

B Durango 4x4

D Durango 4X2

E Dakota 4x2

L Ram Pickup 3500 4x2

N Ram Cab Chassis 4x2 DX Family

P Dodge, Caravan/ Grand Caravan - FWD

P Dodge, Caravan C/V, Grand Caravan C/V - FWD

R Ram Pickup 2500 4x2

S Ram Pickup 2500 4x4

T Dodge, Grand Caravan - AWD

T Nitro 4x2 (LHD)

U Nitro 4x4 (LHD)

U Ram Pickup 1500 4x4

W Dakota 4x4

X Ram Pickup 3500 4x4

1 Chrysler, Caravan - FWD

9 Nitro 4x4 (RHD)

6th Position - SERIES/TRANSMISSION

B 4 Spd Auto

C 6 Spd Std

E 5 Spd Auto

1 1500

Low Line

2 Dakota ST

2500

Low Line

3 Medium

3500 w/o Dual Rear Wheels

4 Dakota SLT/Sport

High Line

3500 w/Dual Rear Wheels

5 Dakota Laramie/Sport

Premium

4000 DX Family

6 Sport

7 Special

7th Position - BODY TYPE

1 Van Caravan C/V

2 Club Cab Dakota

3 Extended Van - Grand Caravan C/V

4 Extended Wagon - Grand Caravan

Wagon - Caravan

6 Conventional Cab/Cab Chassis

8 Club Cab Dakota

8 Quad Cab Full Rear Doors

8 4 Dr Sport Utility

9 Mega Cam Ram Pickup

8th Position - ENGINE TYPE

B 2.4L 14 16 Valve Gas DOHC (MPI)

C 5.9L 6 Cyl Turbo Diesel High Output

D 5.7L 8 Cyl Gas (SMPI)

E 3.3L V6 Flex Fuel OHV

H 8.3L 10 Cyl Gas (SFI)

J 4.7L 8 Cyl High Output Gas (MPI)

K 3.7L 6 Cyl Gas (MPI)

K 3.7L 6 Cyl Magnum Gas (MPI)

(Durango)

L 3.8L 6 Cyl Gas (SMPI)

N 4.7L 8 Cyl Gas (MPI)

N 4.7L 8 Cyl Magnum Gas (Durango)

P 4.7L 8 Cyl Flex Fuel

R 3.3L V6 Gas OHV

2 5.7L 8 Cyl Hemi Mult Displacement Gas

6 4.0L V6 Gas SOHC

9th Position - CHECK DIGIT

A single number or the letter "X" used to verify the accuracy of the VIN.

10th Position - MODEL YEAR

6 2006 7 2007

11th Position - ASSEMBLY PLANT**12th thru 17th Positions - SEQUENCE NUMBER**

A sequential number assigned by the manufacturer.

Cont.

2006-2007 DODGE TRUCK (Cont.)

SPRINTER

1st, 2nd & 3rd Positions - WORLD MANUFACTURER CODE

WDX Incomplete Vehicle/Dodge
WD1 Incomplete Vehicle/Dodge
WDO Truck-Dodge
WD2 Truck-Dodge
WD5 Multipurpose Passenger Vehicle/Dodge
WD8 Multipurpose Passenger Vehicle/Dodge
WDW Bus/Dodge
WDP Incomplete Vehicle/Freightliner
WDY Truck/Freightliner
WDR Multipurpose Passenger Vehicle/Freightliner
WD3 Truck/Mercedes-Benz
WD4 Multipurpose Vehicle/Mercedes-Benz
WD9 Incomplete Vehicle/Mercedes-Benz

4th Position - MODEL

B All 4x2 Vehicle Types Canada
P All 4x2 Vehicle Types U.S.A.
W 4x2 Multipurpose Passenger Vehicle
X 4x2 Chassis Cab
Y 4x2 Truck

5th & 6th Positions - MODEL, CAB, WEIGHT

D1 Sprinter, 3000mm (118 in) Wheelbase, 8001 up to 9000 lbs Class G
D2 Sprinter, 3550mm (140 in) Wheelbase, 8001 up to 9000 lbs Class G
D3 Sprinter, 4025mm (158 in) Wheelbase, 8001 up to 9000 lbs Class G
D4 Sprinter, 3550mm (140 in) Wheelbase, Van 10,001 up to 14,000 lbs Class H
D5 Sprinter, 4025mm (158 in) Wheelbase, 10,001 up to 14,000 lbs Class H
D6 Sprinter, 3567mm (140 in) in connection with 16" wheels, Van 8001 up to 9000 lbs Class G
D7 Sprinter, 4042mm (159 in) in connection with 16" wheels, Van 8001 up to 9000 lbs Class G

7th & 8th Position - ENGINE

41 2.7L 5 Cyl Diesel 612 (ME9)
42 2.7L 5 Cyl Diesel 612 (MF1)
43 2.7L 5 Cyl Diesel 647 (MC0)
44 2.7L 5 Cyl Diesel 647 (MF2)

9th Position - CHECK DIGIT

A single number or the letter "X" used to verify the accuracy of the VIN.

10th Position - MODEL YEAR

6 2006

11th Position - ASSEMBLY PLANT

12th thru 17th Positions - SEQUENCE NUMBER

A sequential number assigned by the manufacturer.

1974-77 PLYMOUTH TRUCK

1st & 2nd Positions - MODEL

AA PW100 Trail Duster 4X4
EA PD100 Trail Duster 4X2
BA PB100 Van
BB PB200 Van
BC PB300 Van

3rd Position - BODY TYPE

0 Sport Utility (Trail Duster)
1 Van (Tradesman)
2 Van (Sportsman)
3 Van (Custom Sportsman)
4 Van (Royal Sportsman)
5 Maxivan (Tradesman)
6 Maxivan (Sportsman)
7 Maxivan (Custom Sportsman)
8 Maxivan (Royal Sportsman)

4th Position - GVW

A up to 6,000
B 6,001 - 10,000
C 10,001 - 14,000
D 14,001 - 16,000

5th Position - ENGINE TYPE

A 8-440 4BC
B 6-225 1BC
C 6-225 2BC
D 8-440 4BC
E 8-318 2BC
F 8-360 2BC
G 8-318 2BC

J 8-400 2BC
K 8-360 4BC

6th Position - MODEL YEAR

4 1974
5 1975
6 1976
7 1977

7th Position - ASSEMBLY PLANT

8th thru 13th Positions - SEQUENCE NUMBER

A sequential number assigned by the manufacturer.

1978-80 PLYMOUTH TRUCK

1st and 2nd Positions - MODEL

AA PW100 Trail Duster 4X4
BA PB100 Van
BB PB200 Van
BC PB300 Van
EA PD100 Trail Duster 4X2

3rd Position - BODY TYPE

0 Sport Utility (Trail Duster)
1 Van (Tradesman)
2 Van (Sportsman)
5 Maxivan (Tradesman)
6 Maxivan (Sportsman)

4th Position - GVW

A up to 6,000
B 6,001 - 10,000
C 10,001 - 14,000
D 14,001 - 16,000

5th Position - ENGINE TYPE

A 8-440 4BC
B 6-225 (3.7) 2BC
C 6-225 (3.7) 1BC
D 8-440 4BC
E 8-318 (5.2) 2BC
F 8-360 (5.9) 2BC
G 8-318 (5.2) 2BC
H 6-243 (4.0) Diesel
K 8-360 (5.9) 2BC
N 6-225 (3.7) 1BC
P 8-318 (5.2) 4BC
S 8-360 (5.9) 4BC High Perf
T 8-360 (5.9) 4BC

6th Position - MODEL YEAR

8 1978
9 1979
A 1980

7th Position - ASSEMBLY PLANT

8th thru 13th Positions - SEQUENCE NUMBER

A sequential number assigned by the manufacturer.

1981 PLYMOUTH TRUCK

1st Position - COUNTRY

1 Built in U.S.A.
2 Built in Canada

2nd Position - MAKE

P Plymouth

3rd Position - TYPE

4 Multipurpose Passenger Vehicle
5 Bus

4th Position - GVW

D up to 3,000
E 3,001 - 4,000
F 4,001 - 5,000
G 5,001 - 6,000
H 6,001 - 7,000
J 7,001 - 8,000
K 8,001 - 9,000
L 9,001 - 10,000
M 10,001 - 14,000
N 14,001 - 16,000

5th Position - MODEL

B Van, Motor Home Van
C Kary Van
D Trail Duster 4X2
W Trail Duster 4X4

6th Position - SERIES

1 150
2 250
3 350

7th Position - BODY TYPE

1 Wagon

2 Sport Utility
3 Van

8th Position - ENGINE TYPE

E 6-225 (3.7) 1BC
P 8-318 (5.2) 2BC
R 8-318 (5.2) 4BC
S 8-360 (5.9) 2BC
T 8-360 (5.9) 4BC Std Dty
U 8-360 (5.9) 4BC Hvy Dty - Sgl Exh
V 8-360 (5.9) 4BC Hvy Dty - Dual Exh

9th Position - CHECK DIGIT

10th Position - MODEL YEAR

B 1981

11th Position - ASSEMBLY PLANT

12th thru 17th Positions - SEQUENCE NUMBER

A sequential number assigned by the manufacturer.

1982 PLYMOUTH TRUCK

1st Position - COUNTRY

1 Built in U.S.A.
2 Built in Canada

2nd Position - MAKE

P Plymouth

3rd Position - TYPE

4 Multipurpose Passenger Vehicle
5 Bus

4th Position - GVW

D up to 3,000
E 3,001 - 4,000
F 4,001 - 5,000
G 5,001 - 6,000
H 6,001 - 7,000
J 7,001 - 8,000
K 8,001 - 9,000
L 9,001 - 10,000
M 10,001 - 14,000
N 14,001 - 16,000

5th Position - MODEL

B Van, Motor Home Van
C Kary Van

6th Position - SERIES

1 150
2 250
3 350

7th Position - BODY TYPE

1 Wagon
3 Van

8th Position - ENGINE TYPE

E 6-225 (3.7) 1BC
P 8-318 (5.2) 2BC
R 8-318 (5.2) 4BC
S 8-360 (5.9) 2BC
T 8-360 (5.9) 4BC Std Dty
U 8-360 (5.9) 4BC Hvy Dty - Sgl Exh
V 8-360 (5.9) 4BC Hvy Dty - Dual Exh
W 6-225 (3.7) 2BC

9th Position - CHECK DIGIT

10th Position - MODEL YEAR

C 1982

11th Position - ASSEMBLY PLANT

12th thru 17th Positions - SEQUENCE NUMBER

A sequential number assigned by the manufacturer.

1983 PLYMOUTH TRUCK

1st Position - COUNTRY

1 Built in U.S.A.
2 Built in Canada

2nd Position - MAKE

P Plymouth

3rd Position - TYPE

4 Multipurpose Passenger Vehicle
5 Bus

4th Position - GVW/Other

B Manual Seat Belts
D up to 3,000
E 3,001 - 4,000
F 4,001 - 5,000
G 5,001 - 6,000
H 6,001 - 7,000
J 7,001 - 8,000
K 8,001 - 9,000

VEHICLE IDENTIFICATION

VIN DECODING

CHRYSLER MOTORS

1983 PLYMOUTH TRUCK (Cont.)**4th Position - GVW/Other (Cont.)**

L 9,001 - 10,000
M 10,000 - 14,000
N 14,001 - 16,000

5th Position - MODEL

B Van, Motor Home Van
C Kary Van

6th Position - SERIES

1 150
2 250
3 350

7th Position - BODY TYPE

1 Wagon
3 Van

8th Position - ENGINE TYPE

H 6-225 (3.7) 1BC
T 8-318 (5.2) 2BC
U 8-318 (5.2) 4BC
V 8-360 (5.9) 4BC Hvy Dty
W 8-360 (5.9) 4BC exc Calif
1 8-360 (5.9) 4BC Calif

9th Position - CHECK DIGIT**10th Position - MODEL YEAR**

D 1983

11th Position - ASSEMBLY PLANT**12th thru 17th Positions - SEQUENCE NUMBER**

A sequential number assigned by the manufacturer.

1984-87 PLYMOUTH TRUCK**1st Position - COUNTRY**

1 Built in U.S.A.
2 Built in Canada
3 Built in Mexico

2nd Position - MAKE

P Plymouth

3rd Position - TYPE

4 Multipurpose Passenger Vehicle (MPV)

4th Position - SAFETY SYSTEM

A Air Bags
B Manual Seat Belts

5th Position - MODEL

H Voyager (MPV)

6th Position - PRICE CLASS

1 Economy
2 Low
3 Medium
4 High
5 Premium
6 Special

7th Position - BODY TYPE

3 Van

8th Position - ENGINE TYPE

C 4-135 (2.2) 2BC
G 4-156 (2.6) 2BC
K 4-153 (2.5) TBI
3 6-181 (3.0) EFI

9th Position - CHECK DIGIT**10th Position - MODEL YEAR**

E 1984
F 1985
G 1986
H 1987

11th Position - ASSEMBLY PLANT**12th thru 17th Positions - SEQUENCE NUMBER**

A sequential number assigned by the manufacturer.

1988-99 PLYMOUTH TRUCK**1st Position - COUNTRY**

1 Built in U.S.A.
2 Built in Canada
3 Built in Mexico

2nd Position - MAKE

P Plymouth

3rd Position - TYPE

4 Multipurpose Passenger Vehicle (MPV)

4th Position - SAFETY SYSTEM

A Air Bags
B Manual Seat Belts
C Automatic Seat Belts
X Driver Air Bag, Passenger Manual Seat Belt
Y Driver Air Bag, Passenger Automatic Seat Belt

5th Position - MODEL

H Voyager FWD
K Voyager RWD

6th Position - PRICE CLASS

1 Economy
2 Low
3 Medium
4 High
5 Premium
6 Special/Sport
7 Performance/Image

7th Position - BODY TYPE

1 Van
4 Ext Wagon/Van
5 Wagon

8th Position - ENGINE TYPE

B 4-148 (2.4) MPFI
J 4-153 (2.5) Turbo
K 4-153 (2.5) TBI
L 6-232 (3.8) MPFI
R 6-201 (3.3) MPFI
X 4-148 (2.4) MPFI
3 6-181 (3.0) MPFI

9th Position - CHECK DIGIT**10th Position - MODEL YEAR**

J 1988	N 1992	T 1996
K 1989	P 1993	V 1997
L 1990	R 1994	W 1998
M 1991	S 1995	X 1999

11th Position - ASSEMBLY PLANT**12th thru 17th Positions - SEQUENCE NUMBER**

A sequential number assigned by the manufacturer.

2000-01 PLYMOUTH TRUCK**1st Position - COUNTRY**

1 Built in U.S.A.
2 Built in Canada
3 Built in Mexico

2nd Position - MAKE

P Plymouth

3rd Position - TYPE

4 Multipurpose Passenger Vehicle (MPV)

4th Position - SAFETY SYSTEM

A Air Bags
B Manual Seat Belts
C Automatic Seat Belts
X Driver Air Bag, Passenger Manual Seat Belt
Y Driver Air Bag, Passenger Automatic Seat Belt

5th Position - MODEL

P Voyager FWD
T Voyager AWD

6th Position - PRICE CLASS

1 Economy
2 Low
3 Medium
4 High
5 Premium
6 Special/Sport
7 Performance/Image

7th Position - BODY TYPE

1 Van
4 Ext Wagon/Van
5 Wagon

8th Position - ENGINE TYPE

B 4-148 (2.4) MPFI
R 6-201 (3.3) MPFI
3 6-181 (3.0) MPFI

9th Position - CHECK DIGIT**10th Position - MODEL YEAR**

Y 2000 1 2001

11th Position - ASSEMBLY PLANT**12th thru 17th Positions - SEQUENCE NUMBER**

A sequential number assigned by the manufacturer.

FORD MOTOR CO.

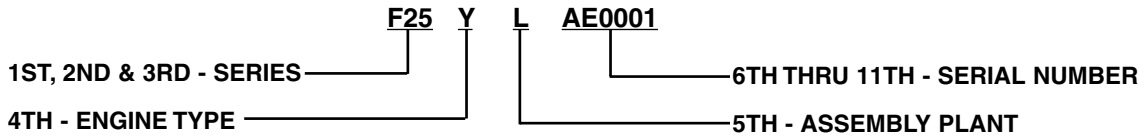
AEROSTAR, AVIATOR, BRONCO, BRONCO II, CAB & CHASSIS, CLUB WAGON, CUTAWAY, ECONOLINE, EDGE, ESCAPE, EXCURSION, EXPEDITION, EXPLORER, EXPLORER SPORT TRAC, E450 SUPER DUTY, FREESTAR, FREESTYLE, F450 SUPER DUTY, F550 SUPER DUTY, MARINER, MARK LT, MKX, NAVIGATOR, NAVIGATOR L, MONTEREY, MOUNTAINEER, PICKUP, PICKUP HERITAGE, RANGER, RV CUTAWAY, WINDSTAR

LOCATION: The vehicle identification number is found on the certification label located on the latch side of the left front door pillar or the latch side of the door frame itself. It can also be found on the left side of the instrument panel visible through the windshield.

SAMPLE VIN:

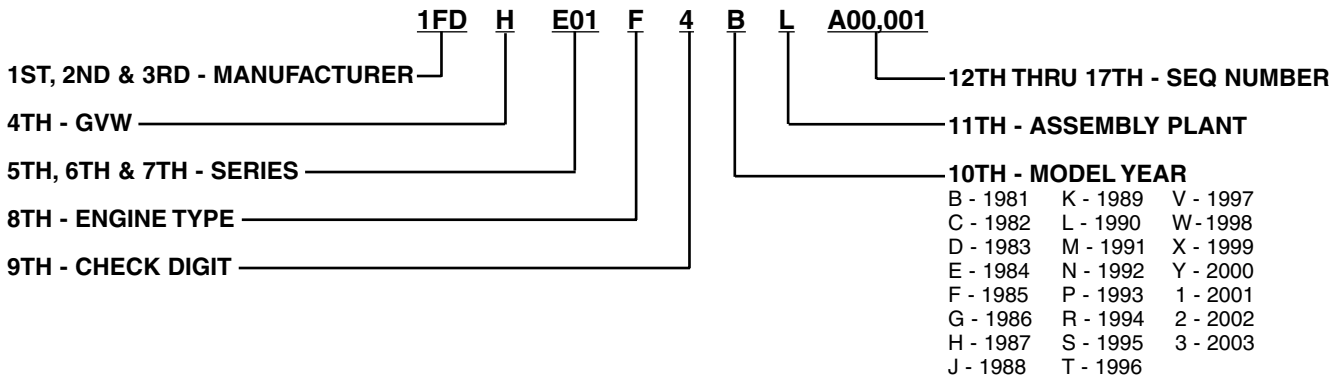
1974-80

(11 DIGIT NUMBER)



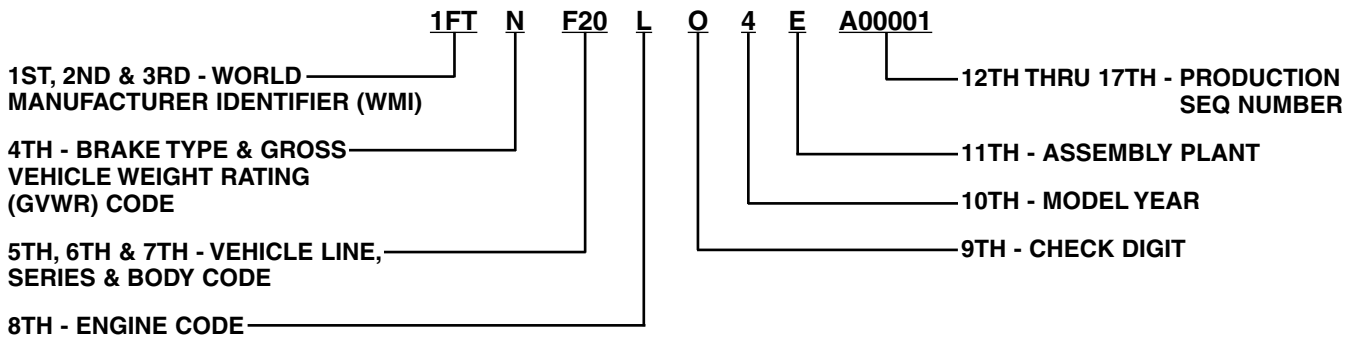
1981-2003

(17 DIGIT NUMBER)



2004-2007

(17 DIGIT NUMBER)



VEHICLE IDENTIFICATION

VIN DECODING

FORD MOTOR CO.

1975-76 FORD TRUCK (Cont.)

5th Position - ASSEMBLY PLANT

6th thru 11th Positions - SERIAL NUMBER & YEAR

A00,001 - C75,000 1976 Bronco
 A00,001 - D25,000 1976 exc Bronco
 V00,001 - X40,000 1975 Bronco
 V20,001 - X40,000 1975 F100-350, P350
 W20,001 - X60,000 1975 E100-350

1977-78 FORD TRUCK

1st, 2nd & 3rd Positions - SERIES

E01 E100 Club Wagon (5 Pass)
 E02 E100 Club Wagon (8 Pass)
 E04 E100 Cargo Van
 E05 E100 Window Van
 E06 E100 Display Van
 E11 E150 Club Wagon (5 Pass)
 E12 E150 Club Wagon (8 Pass)
 E14 E150 Cargo Van
 E15 E150 Window Van
 E16 E150 Display Van
 E20 E250 Club Wagon (11 Pass)
 E21 E250 Club Wagon (5 Pass)
 E22 E250 Club Wagon (8 Pass)
 E23 E250 Club Wagon (12 Pass)
 E24 E250 Cargo Van
 E25 E250 Window Van
 E26 E250 Display Van
 E27 E250 Cutaway Cab
 E28 E250 Parcel Delivery Van
 E34 E350 Cargo Van
 E35 E350 Window Van
 E36 E350 Display Van
 E37 E350 Parcel Delivery Van
 E38 E350 Parcel Delivery Van
 F10 F100 Pickup 4X2
 F14 F150 Pickup 4X4
 F15 F150 Pickup
 F16 F150 Cab & Chassis 4X4
 F17 F100 Cab & Chassis 4X2
 F19 F150 Cab & Chassis
 F25 F250 Pickup 4X2
 F26 F250 Pickup 4X4
 F27 F250 Cab & Chassis 4X2
 F28 F250 Cab & Chassis 4X4
 F35 F350 Pickup 4X2
 F37 F350 Pickup 4X2
 S11 E150 Super Club Wagon (5 Pass)
 S12 E150 Super Club Wagon (8 Pass)
 S14 E150 Super Cargo Van
 S15 E150 Super Window Van
 S16 E150 Super Display Van
 S20 E250 Super Club Wagon (11 Pass)
 S21 E250 Super Club Wagon (5 Pass)
 S22 E250 Super Club Wagon (8 Pass)
 S23 E250 Super Club Wagon (12 Pass)
 S24 E250 Super Cargo Van
 S25 E250 Super Window Van
 S26 E250 Super Display Van
 S29 E250 Super Club Wagon (15 Pass)
 S30 E350 Super Club Wagon (11 Pass)
 S31 E350 Super Club Wagon (5 Pass)
 S32 E350 Super Club Wagon (8 Pass)
 S33 E350 Super Club Wagon (12 Pass)
 S34 E350 Super Cargo Van
 S35 E350 Super Window Van
 S36 E350 Super Display Van
 S39 E350 Super Club Wagon
 U15 Bronco 4X4
 X10 F100 Pickup (Super Cab) 4X2
 X14 F150 Pickup (Super Cab) 4X4
 X15 F150 Pickup (Super Cab) 4X2
 X16 F150 Cab & Chassis (Super Cab) 4X4
 X17 F100 Cab & Chassis (Super Cab) 4X2
 X19 F150 Cab & Chassis (Super Cab) 4X2
 X25 F250 Pickup (Super Cab) 4X2
 X26 F250 Pickup (Super Cab) 4X4
 X27 F250 Cab & Chassis (Super Cab) 4X2
 X28 F250 Cab & Chassis (Super Cab) 4X4
 X35 F350 Pickup (Super Cab) 4X2
 X37 F350 Cab & Chassis (Super Cab) 4X2

4th Position - ENGINE TYPE

A 8-460 4BC
 B 6-300 1BC
 C 6-300 1BC (Economy)
 G 8-302 2BC
 H 8-351 2BC (Modified, exc Van)
 8-351 2BC (Windsor, Van)
 J 8-460 4BC
 S 8-400 2BC

5th Position - ASSEMBLY PLANT

6th thru 11th Positions - SERIAL NUMBER & YEAR

O00,001 - Z25,000 1977 exc Bronco
 O00,001 - Z20,000 1977 Bronco
 AE0,001 - CK9,000 1978 Bronco
 AE0,001 - CK9,999 1978 exc Bronco

1979 FORD TRUCK

1st, 2nd & 3rd Positions - SERIES

E01 E100 Club Wagon
 E04 E100 Cargo Van
 E05 E100 Window Van
 E06 E100 Display Van
 E11 E150 Club Wagon
 E14 E150 Cargo Van
 E15 E150 Window Van
 E16 E150 Display Van
 E21 E250 Club Wagon
 E24 E250 Cargo Van
 E25 E250 Window Van
 E26 E250 Display Van
 E34 E350 Cargo Van
 E35 E350 Window Van
 E36 E350 Display Van
 E37 E350 Cutaway Cab
 E38 E350 Parcel Delivery Van
 F10 F100 Pickup 4X2
 F14 F150 Pickup 4X4
 F15 F150 Pickup 4X2
 F16 F150 Cab & Chassis 4X4
 F17 F100 Cab & Chassis 4X2
 F19 F150 Cab & Chassis 4X2
 F25 F250 Pickup 4X2
 F26 F250 Pickup 4X4
 F27 F250 Cab & Chassis 4X2
 F28 F250 Cab & Chassis 4X4
 F35 F350 Pickup 4X2
 F36 F350 Pickup 4X4
 F37 F350 Cab & Chassis 4X2
 F38 F350 Cab & Chassis 4X4
 S11 E150 Super Club Wagon
 S14 E150 Super Cargo Van
 S15 E150 Super Window Van
 S16 E150 Super Display Van
 S21 E250 Super Club Wagon
 S24 E250 Super Cargo Van
 S25 E250 Super Window Van
 S26 E250 Super Display Van
 S31 E350 Super Club Wagon
 S34 E350 Super Cargo Van
 S35 E350 Super Window Van
 S36 E350 Super Display Van
 U15 Bronco 4X4
 X10 F100 Pickup (Super Cab) 4X2
 X14 F150 Pickup (Super Cab) 4X4
 X15 F150 Pickup (Super Cab) 4X2
 X16 F150 Cab & Chassis (Super Cab) 4X4
 X17 F100 Cab & Chassis (Super Cab) 4X2
 X19 F150 Cab & Chassis (Super Cab) 4X2
 X25 F250 Pickup (Super Cab) 4X2
 X26 F250 Pickup (Super Cab) 4X4
 X27 F250 Cab & Chassis (Super Cab) 4X2
 X28 F250 Cab & Chassis (Super Cab) 4X4
 X35 F350 Pickup (Super Cab) 4X2
 X36 F350 Pickup (Super Cab) 4X4
 X37 F350 Cab & Chassis (Super Cab) 4X2
 X38 F350 Cab & Chassis (Super Cab) 4X4

4th Position - ENGINE TYPE

A 8-460 4BC
 B 6-300 1BC
 G 8-302 2BC
 H 8-351 2BC (Modified, exc Van)
 8-351 2BC (Windsor, Van)
 J 8-460 4BC
 S 8-400 2BC

5th Position - ASSEMBLY PLANT

6th thru 11th Positions - SERIAL NUMBER & YEAR

DC0,001 - FK9,000 1979 All

1980 FORD TRUCK

1st, 2nd & 3rd Positions - SERIES

E01 E100 Club Wagon
 E04 E100 Cargo Van
 E05 E100 Window Van
 E06 E100 Display Van
 E11 E150 Club Wagon
 E14 E150 Cargo Van
 E15 E150 Window Van
 E16 E150 Display Van
 E21 E250 Club Wagon
 E24 E250 Cargo Van
 E25 E250 Window Van
 E26 E250 Display Van
 E34 E350 Cargo Van
 E35 E350 Window Van
 E36 E350 Display Van
 E37 E350 Cutaway Cab
 E38 E350 Parcel Delivery Van
 F10 F100 Pickup 4X2
 F14 F150 Pickup 4X4
 F15 F150 Pickup 4X2
 F25 F250 Pickup 4X2
 F26 F250 Pickup 4X4
 F27 F250 Cab & Chassis 4X2
 F28 F250 Cab & Chassis 4X4
 F35 F350 Pickup 4X2
 F36 F350 Pickup 4X4
 F37 F350 Cab & Chassis 4X2
 F38 F350 Cab & Chassis 4X4
 S11 E150 Super Club Wagon
 S14 E150 Super Cargo Van
 S15 E150 Super Window Van
 S16 E150 Super Display Van
 S21 E250 Super Club Wagon
 S24 E250 Super Cargo Van
 S25 E250 Super Window Van
 S26 E250 Super Display Van
 S31 E350 Super Club Wagon
 S34 E350 Super Cargo Van
 S35 E350 Super Window Van
 S36 E350 Super Display Van
 U15 Bronco 4X4
 X14 F150 Pickup (Super Cab) 4X4
 X15 F150 Pickup (Super Cab) 4X2
 X25 F250 Pickup (Super Cab) 4X2
 X26 F250 Pickup (Super Cab) 4X4
 X35 F350 Pickup (Super Cab) 4X2

4th Position - ENGINE TYPE

E 6-300 (4.9) 1BC
 F 8-302 (5.0) 2BC
 G 8-351 (5.8) 2BC (Modified)
 L 8-460 (7.5) 4BC
 W 8-351 (5.8) 2BC (Windsor)
 Z 8-400 (6.6) 2BC

5th Position - ASSEMBLY PLANT

6th thru 11th Positions - SERIAL NUMBER & YEAR

GA0,001 - KE9,999 1980 All

1981-82 FORD TRUCK

1st, 2nd & 3rd Positions - MANUFACTURER

1FB Ford USA Bus
 1FC Ford USA Truck (Stripped Chassis)
 1FD Ford USA Incomplete Vehicle
 1FF Ford USA Motor Vehicle (w/o Powertrain)
 1FM Ford USA Multipurpose Vehicle, Bus
 1FT Ford USA Truck (Complete)
 2FB Ford Canada Bus
 2FC Ford Canada Truck (Stripped Chassis)
 2FD Ford Canada Incomplete Vehicle
 2FF Ford Canada Motor Vehicle (w/o Powertrain)
 2FM Ford Canada Multipurpose Vehicle
 2FT Ford Canada Complete Vehicle

1981-82 FORD TRUCK (Cont.)**4th Position - GVW**

A	up to 3,000
B	3,001 - 4,000
C	4,001 - 5,000
D	5,001 - 6,000
E	6,001 - 7,000
F	7,001 - 8,000
G	8,001 - 8,500
H	8,501 - 9,000
J	9,001 - 10,000
K	10,001 - 14,000

5th, 6th & 7th Positions - SERIES

E01	E100	Club Wagon
E04	E100	Cargo Van
E05	E100	Window Van
E06	E100	Display Van
E11	E150	Club Wagon
E14	E150	Cargo Van
E15	E150	Window Van
E16	E150	Display Van
E21	E250	Club Wagon
E24	E250	Cargo Van
E25	E250	Window Van
E26	E250	Display Van
E30	E350	Cutaway Cab (RV)
E34	E350	Cargo Van
E35	E350	Window Van
E36	E350	Display Van
E37	E350	Cutaway Cab
E38	E350	Parcel Delivery Van
F10	F100	Pickup 4X2
F14	F150	Pickup 4X4
F15	F150	Pickup 4X2
F25	F250	Pickup 4X2
F26	F250	Pickup 4X4
F27	F250	Cab & Chassis 4X2
F28	F250	Cab & Chassis 4X4
F35	F350	Pickup 4X2
F36	F350	Pickup 4X4
F37	F350	Cab & Chassis 4X2
F38	F350	Cab & Chassis 4X4
S11	E150	Super Club Wagon
S14	E150	Super Cargo Van
S15	E150	Super Window Van
S16	E150	Super Display Van
S21	E250	Super Club Wagon
S24	E250	Super Cargo Van
S25	E250	Super Window Van
S26	E250	Super Display Van
S31	E350	Super Club Wagon
S34	E350	Super Cargo Van
S35	E350	Super Window Van
S36	E350	Super Display Van
U15	Bronco	4X4
X14	F150	Pickup (Super Cab) 4X4
X15	F150	Pickup (Super Cab) 4X2
X25	F250	Pickup (Super Cab) 4X2
X26	F250	Pickup (Super Cab) 4X4
X35	F350	Pickup (Super Cab) 4X2

8th Position - ENGINE TYPE

D	8-255 (4.2)	2BC
E	6-300 (4.9)	1BC
F	8-302 (5.0)	2BC
G	8-351 (5.8)	2BC
H	8-351 (5.8)	2BC (Windsor)
L	8-460 (7.5)	4BC
Z	8-400 (6.6)	2BC
3	6-232 (3.8)	2BC

9th Position - CHECK DIGIT**10th Position - MODEL YEAR**

B	1981
C	1982

11th Position - ASSEMBLY PLANT**12th thru 17th Positions - SEQUENCE NUMBER**

A sequential number assigned by the manufacturer.

1983-84 FORD TRUCK**1st, 2nd & 3rd Positions - MANUFACTURER**

1FB	Ford USA	Bus
1FC	Ford USA	Truck (Stripped Chassis)
1FD	Ford USA	Incomplete Vehicle

1FF	Ford USA	Motor Vehicle (w/o Powertrain)
1FM	Ford USA	Multipurpose Vehicle, Bus
1FT	Ford USA	Truck (Complete)
2FB	Ford Canada	Bus
2FC	Ford Canada	Truck (Stripped Chassis)
2FD	Ford Canada	Incomplete Vehicle
2FF	Ford Canada	Motor Vehicle (w/o Powertrain)
2FM	Ford Canada	Multipurpose Vehicle
2FT	Ford Canada	Complete Vehicle

4th Position - GVW

A	up to 3,000
B	3,001 - 4,000
C	4,001 - 5,000
D	5,001 - 6,000
E	6,001 - 7,000
F	7,001 - 8,000
G	8,001 - 8,500
H	8,501 - 9,000
J	9,001 - 10,000
K	10,001 - 14,000

5th, 6th & 7th Positions - SERIES

E01	E100	Club Wagon
E04	E100	Cargo Van
E05	E100	Window Van
E06	E100	Display Van
E11	E150	Club Wagon
E14	E150	Cargo Van
E15	E150	Window Van
E16	E150	Display Van
E21	E250	Club Wagon
E24	E250	Cargo Van
E25	E250	Window Van
E26	E250	Display Van
E30	E350	Cutaway Cab (RV)
E34	E350	Cargo Van
E35	E350	Window Van
E36	E350	Display Van
E37	E350	Cutaway Cab
E38	E350	Parcel Delivery Van
F10	F100	Pickup 4X2
F14	F150	Pickup 4X4
F15	F150	Pickup 4X2
F17	F150	Cab & Chassis 4X2
F18	F150	Cab & Chassis 4X4
F25	F250	Pickup 4X2
F26	F250	Pickup 4X4
F27	F250	Cab & Chassis 4X2
F28	F250	Cab & Chassis 4X4
F35	F350	Pickup 4X2
F36	F350	Pickup 4X4
F37	F350	Cab & Chassis 4X2
F38	F350	Cab & Chassis 4X4
R10	Ranger	Pickup 4X2
R11	Ranger	Pickup 4X4
R12	Ranger	Non-Pickup 4X2
S11	E150	Super Club Wagon
S14	E150	Super Cargo Van
S15	E150	Super Window Van
S16	E150	Super Display Van
S21	E250	Super Club Wagon
S24	E250	Super Cargo Van
S25	E250	Super Window Van
S26	E250	Super Display Van
S31	E350	Super Club Wagon
S34	E350	Super Cargo Van
S35	E350	Super Window Van
S36	E350	Super Display Van
U14	Bronco II	4X4
U15	Bronco	(Full Size) 4X4
W25	F250	Pickup (Crew Cab) 4X2
W27	F250	Non-Pickup (Crew Cab) 4X2
W35	Pickup	(Crew Cab) 4X2
W36	Pickup	(Crew Cab) 4X4
W37	F350	Non-Pickup (Crew Cab) 4X2
W38	F350	Non-Pickup (Crew Cab) 4X4
X14	F150	Pickup (Super Cab) 4X4
X15	F150	Pickup (Super Cab) 4X2
X25	F250	Pickup (Super Cab) 4X2
X26	F250	Pickup (Super Cab) 4X4
X35	F350	Pickup (Super Cab) 4X2

8th Position - ENGINE TYPE

A	4-140 (2.3)	1BC
C	4-122 (2.0)	1BC
F	8-302 (5.0)	2BC
G	8-351 (5.8)	2BC
H	8-351 (5.8)	4BC

L	8-460 (7.5)	4BC
P	4-134 (2.2)	Diesel
S	6-171 (2.8)	2BC
Y	6-300 (4.9)	1BC
1	8-426 (6.9)	Diesel
3	6-232 (3.8)	2BC
9	6-300 (4.9)	2BC (Propane)

9th Position - CHECK DIGIT**10th Position - MODEL YEAR**

D	1983
E	1984

11th Position - ASSEMBLY PLANT**12th thru 17th Positions - SEQUENCE NUMBER**

A sequential number assigned by the manufacturer.

1985 FORD TRUCK**1st, 2nd & 3rd Positions - MANUFACTURER**

1FB	Ford USA	Bus
1FC	Ford USA	Truck (Stripped Chassis)
1FD	Ford USA	Incomplete Vehicle
1FF	Ford USA	Motor Vehicle (w/o Powertrain)
1FM	Ford USA	Multipurpose Vehicle, Bus
1FT	Ford USA	Truck (Complete)
2FB	Ford Canada	Bus
2FC	Ford Canada	Truck (Stripped Chassis)
2FD	Ford Canada	Incomplete Vehicle
2FF	Ford Canada	Motor Vehicle (w/o Powertrain)
2FM	Ford Canada	Multipurpose Vehicle
2FT	Ford Canada	Complete Vehicle

4th Position - GVW

A	up to 3,000
B	3,001 - 4,000
C	4,001 - 5,000
D	5,001 - 6,000
E	6,001 - 7,000
F	7,001 - 8,000
G	8,001 - 8,500
H	8,501 - 9,000
J	9,001 - 10,000
K	10,001 - 14,000

5th, 6th & 7th Positions - SERIES

E11	E150	Club Wagon
E14	E150	Cargo Van
E15	E150	Window Van
E16	E150	Display Van
E21	E250	Club Wagon
E24	E250	Cargo Van
E25	E250	Window Van
E26	E250	Display Van
E30	E350	Cutaway Cab (RV)
E33	E350	Stripped Chassis (RV)
E34	E350	Cargo Van
E35	E350	Window Van
E36	E350	Display Van
E37	E350	Cutaway Cab
E38	E350	Parcel Delivery Van
E39	E350	Cutaway Cab (Commercial)
F14	F150	Pickup 4X4
F15	F150	Pickup 4X2
F17	F150	Cab & Chassis 4X2
F18	F150	Cab & Chassis 4X4
F25	F250	Pickup 4X2
F26	F250	Pickup 4X4
F27	F250	Cab & Chassis 4X2
F35	F350	Pickup 4X2
F36	F350	Pickup 4X4
F37	F350	Cab & Chassis 4X2
F38	F350	Cab & Chassis 4X4
R10	Range	Pickup 4X2
R11	Ranger	Pickup 4X4
R12	Ranger	Non-Pickup 4X2
S14	E150	Super Cargo Van
S15	E150	Super Window Van
S24	E250	Super Cargo Van
S25	E250	Super Window Van
S31	E350	Super Club Wagon
S34	E350	Super Cargo Van
S35	E350	Super Window Van
U14	Bronco II	4X4
U15	Bronco	(Full Size) 4X4
X14	F150	Pickup (Super Cab) 4X4
X15	F150	Pickup (Super Cab) 4X2
X25	F250	Pickup (Super Cab) 4X2
X26	F250	Pickup (Super Cab) 4X4

Cont.

VEHICLE IDENTIFICATION

VIN DECODING

FORD MOTOR CO.

1985 FORD TRUCK (Cont.)**8th Position - ENGINE TYPE**

A	4-140 (2.3)	EFI
C	4-122 (2.0)	1BC
E	4-140 (2.3)	Diesel
F	8-302 (5.0)	2BC
G	8-351 (5.8)	2BC
H	8-351 (5.8)	4BC
L	8-460 (7.5)	4BC
N	8-302 (5.0)	EFI
S	6-171 (2.8)	2BC
Y	6-300 (4.9)	1BC
1	8-426 (6.9)	Diesel
9	6-300 (4.9)	2BC (Propane)

9th Position - CHECK DIGIT**10th Position - MODEL YEAR**

F 1985

11th Position - ASSEMBLY PLANT**12th thru 17th Positions - SEQUENCE NUMBER**

A sequential number assigned by the manufacturer.

1986 FORD TRUCK**1st, 2nd & 3rd Positions - MANUFACTURER**

1FB	Ford USA	Bus
1FC	Ford USA	Truck (Stripped Chassis)
1FD	Ford USA	Incomplete Vehicle
1FF	Ford USA	Motor Vehicle (w/o Powertrain)
1FM	Ford USA	Multipurpose Vehicle, Bus
1FT	Ford USA	Truck (Complete)
2FB	Ford Canada	Bus
2FC	Ford Canada	Truck (Stripped Chassis)
2FD	Ford Canada	Incomplete Vehicle
2FF	Ford Canada	Motor Vehicle (w/o Powertrain)
2FM	Ford Canada	Multipurpose Vehicle
2FT	Ford Canada	Complete Vehicle

4th Position - GVW

A	up to 3,000
B	3,001 - 4,000
C	4,001 - 5,000
D	5,001 - 6,000
E	6,001 - 7,000
F	7,001 - 8,000
G	8,001 - 8,500
H	8,501 - 9,000
J	9,001 - 10,000
K	10,001 - 14,000

5th, 6th & 7th Positions - SERIES

A11	Aerostar	Window Wagon
A14	Aerostar	Cargo Van
A15	Aerostar	Window Van
E11	E150	Club Wagon
E14	E150	Cargo Van
E15	E150	Window Van
E21	E250	Club Wagon
E24	E250	Cargo Van
E25	E250	Window Van
E30	E350	Cutaway Cab (RV)
E34	E350	Cargo Van
E35	E350	Window Van
E37	E350	Cutaway Cab
E39	E350	Cutaway Cab (Commercial)
F14	F150	Pickup 4X4
F15	F150	Pickup 4X2
F25	F250	Pickup 4X2
F26	F250	Pickup 4X4
F35	F350	Pickup 4X2
F36	F350	Pickup 4X4
F37	F350	Cab & Chassis 4X2
F38	F350	Cab & Chassis 4X4
R10	Ranger	Pickup 4X2
R11	Ranger	Pickup 4X4
R12	Ranger	Non-Pickup 4X2
R14	Ranger	Pickup (Super Cab) 4X2
R15	Ranger	Pickup (Super Cab) 4X4
S14	E150	Super Cargo Van
S15	E150	Super Window Van
S24	E250	Super Cargo Van
S25	E250	Super Window Van
S31	E350	Super Club Wagon
S34	E350	Super Cargo Van
S35	E350	Super Window Van

U12	Bronco II	4X2
U14	Bronco II	4X4
U15	Bronco	(Full Size) 4X4
W35	F350	Pickup (Crew Cab) 4X2
W36	F350	Pickup (Crew Cab) 4X4
X14	F150	Pickup (Super Cab) 4X4
X15	F150	Pickup (Super Cab) 4X2
X25	F250	Pickup (Super Cab) 4X2
X26	F250	Pickup (Super Cab) 4X4

8th Position - ENGINE TYPE

A	4-140 (2.3)	EFI
C	4-122 (2.0)	1BC
E	4-140 (2.3)	Diesel
H	8-351 (5.8)	4BC
L	8-460 (7.5)	4BC
N	8-302 (5.0)	EFI
S	6-171 (2.8)	2BC
T	6-177 (2.9)	EFI
U	6-183 (3.0)	EFI
Y	6-300 (4.9)	1BC
1	8-426 (6.9)	Diesel
9	6-300 (5.0)	2BC (Propane)

9th Position - CHECK DIGIT**10th Position - MODEL YEAR**

G 1986

11th Position - ASSEMBLY PLANT**12th thru 17th Positions - SEQUENCE NUMBER**

A sequential number assigned by the manufacturer.

1987-89 FORD TRUCK**1st, 2nd & 3rd Positions - MANUFACTURER**

1FB	Ford USA	Bus
1FC	Ford USA	Truck (Stripped Chassis)
1FD	Ford USA	Incomplete Vehicle
1FF	Ford USA	Motor Vehicle (w/o Powertrain)
1FM	Ford USA	Multipurpose Vehicle, Bus
1FT	Ford USA	Truck (Complete)
2FB	Ford Canada	Bus
2FC	Ford Canada	Truck (Stripped Chassis)
2FD	Ford Canada	Incomplete Vehicle
2FF	Ford Canada	Motor Vehicle (w/o Powertrain)
2FM	Ford Canada	Multipurpose Vehicle
2FT	Ford Canada	Complete Vehicle

4th Position - GVW

A	up to 3,000
B	3,001 - 4,000
C	4,001 - 5,000
D	5,001 - 6,000
E	6,001 - 7,000
F	7,001 - 8,000
G	8,001 - 8,500
H	8,501 - 9,000
J	9,001 - 10,000
K	10,001 - 14,000

5th, 6th & 7th Positions - SERIES

A11	Aerostar	Window Wagon (1987-89)
A14	Aerostar	Cargo Van (1987-89)
A15	Aerostar	Window Van (1987-89)
A31	Aerostar	Window Wagon (1989)
A34	Aerostar	Cargo Van (1989)
A35	Aerostar	Base (1989)
E11	E150	Club Wagon
E14	E150	Cargo Van
E15	E150	Window Van
E21	E250	Club Wagon
E24	E250	Cargo Van
E25	E250	Window Van
E30	E350	Cutaway Cab (RV)
E33	E350	Stripped Chassis (RV)
E34	E350	Cargo Van
E35	E350	Window Van
E37	E350	Cutaway Cab (Commercial)
E39	E350	Cutaway Cab (Commercial)
F14	F150	Pickup 4X4
F15	F150	Pickup 4X2
F25	F250	Pickup 4X2
F26	F250	Pickup 4X4
F35	F350	Pickup 4X2
F36	F350	Pickup 4X4
F37	F350	Cab & Chassis 4X2
F38	F350	Cab & Chassis 4X4
F47	F(Super Duty)	Cab & Chassis
F53	RV	Motorhome-Stripped Chassis

F59	Commercial Vehicle-Stripped Chassis
R10	Ranger Pickup 4X2
R11	Ranger Pickup 4X4
R12	Ranger Non-Pickup 4X2
R14	Ranger Pickup (Super Cab) 4X2
R15	Ranger Pickup (Super Cab) 4X4
S14	E150 Super Cargo Van
S15	E150 Super Window Van
S24	E250 Super Cargo Van
S25	E250 Super Window Van
S31	E350 Super Club Wagon
S34	E350 Super Cargo Van
S35	E350 Super Window Van
U12	Bronco II 4X2
U14	Bronco II 4X4
U15	Bronco (Full Size) 4X4
W35	F350 Pickup (Crew Cab) 4X2
W36	F350 Pickup (Crew Cab) 4X4
X14	F150 Pickup (Super Cab) 4X4
X15	F150 Pickup (Super Cab) 4X2
X25	F250 Pickup (Super Cab) 4X2
X26	F250 Pickup (Super Cab) 4X4
X35	F350 Pickup (Super Cab) 4X2

8th Position - ENGINE TYPE

A	4-140 (2.3)	EFI
C	4-122 (2.0)	1BC
E	4-140 (2.3)	Diesel
G	8-460 (7.5)	EFI
H	8-351 (5.8)	4BC
	1987	4BC
	1988-89	EFI
L	8-460 (7.5)	4BC
M	8-446 (7.3)	Diesel
N	8-302 (5.0)	EFI
T	6-177 (2.9)	EFI
U	6-183 (3.0)	EFI
Y	6-300 (4.9)	EFI
1	8-426 (6.9)	Diesel

9th Position - CHECK DIGIT**10th Position - MODEL YEAR**H 1987
J 1988
K 1989**11th Position - ASSEMBLY PLANT****12th thru 17th Positions - SEQUENCE NUMBER**

A sequential number assigned by the manufacturer.

1990-99 FORD TRUCK**1st, 2nd & 3rd Positions - MANUFACTURER**

1FB	Ford USA	Bus
1FB	Ford USA	Bus
1FC	Ford USA	Truck (Stripped Chassis)
1FD	Ford USA	Incomplete Vehicle
1FF	Ford USA	Motor Vehicle (w/o power train)
1FM	Ford USA	Multipurpose Vehicle, Bus
1FT	Ford USA	Truck (Complete)
1LJ	Ford USA	Incomplete Vehicle
1MH	Ford USA	Incomplete Vehicle
2FB	Ford Canada	Bus
2FC	Ford Canada	Truck (Stripped Chassis)
2FD	Ford Canada	Incomplete Vehicle
2FF	Ford Canada	Motor Vehicle (w/o power train)
2FM	Ford Canada	Multipurpose Vehicle
2FT	Ford Canada	Complete Vehicle
2MH	Ford Canada	Incomplete Vehicle
3FB	Ford (Mexico)	Bus
3FC	Ford (Mexico)	Truck (Stripped Chassis)
3FE	Ford (Mexico)	Incomplete Vehicle
3FM	Ford (Mexico)	Multipurpose Vehicle
3FT	Ford (Mexico)	Truck (Complete)
4F2	Ford USA	Multipurpose Vehicle
4F3	Ford USA	Incomplete Vehicle
4F4	Ford USA	Truck (Complete)
4M2	Ford USA	Multipurpose Vehicle
4M3	Ford USA	Incomplete Vehicle
4M4	Ford USA	Truck (Complete)
4N2	Ford USA	Multipurpose Vehicle
4N3	Ford USA	Incomplete Vehicle
4N4	Ford USA	Truck (Complete)
5LD	Ford USA	Incomplete Vehicle
5LM	Ford USA	Multipurpose Vehicle
5LT	Ford USA	Truck (Complete)

Cont.

1990-99 FORD TRUCK (Cont.)**4th Position - GVW**

A	Up to 3,000
B	3,001 - 4,000
C	4,001 - 5,000
D	5,001 - 6,000
E	6,001 - 7,000
F	7,001 - 8,000
G	8,001 - 8,500
H	8,501 - 9,000
J	9,001 - 10,000
K	10,001 - 14,000
N	8,501 - 9,000
P	7,001 - 8,000
R	6,001 - 7,000
S	9,001 - 10,000
T	Up to 3,000
U	3,001 - 4,000
V	8,001 - 8,500
W	10,001 - 14,000
Y	4,001 - 5,000
Z	5,001 - 6,000

5th, 6th & 7th Positions - BODY TYPE

A11	Aerostar	Window Wagon 2WD Std W.B.
A14	Aerostar	Cargo Van 2WD Std W.B.
A15	Aerostar	Window Van 2WD Std W.B.
A21	Aerostar	Window Wagon 4WD Std W.B.
A24	Aerostar	Cargo Van 4WD Std W.B.
A25	Aerostar	Window Van 4WD Std W.B.
A31	Aerostar	Window Wagon 2WD Ext W.B.
A34	Aerostar	Cargo Van 2WD Ext W.B.
A35	Aerostar	Window Wagon 2WD Ext W.B.
A41	Aerostar	Window Wagon 4WD Ext W.B.
A44	Aerostar	Cargo Van 4WD Ext W.B.
A45	Aerostar	Window Wagon 4WD Ext W.B.
A51	Windstar	3 Dr Wagon
A52	Windstar	4 Dr Wagon
A53	Windstar	4 Dr Wagon
A54	Windstar	Cargo Van
E11	E150	Club Wagon
E14	E150	Cargo Van
E21	E250	Club Wagon
E24	E250	Cargo Van
E25	E250	Cargo Van
E27	E250	Cutaway Cab - Commercial
E29	E250	Stripped Chassis (RV)
E30	E350	Cutaway Cab (RV)
E31	E350	Club Wagon
E33	E350	Stripped Chassis (RV)
E34	E350	Cargo Van
E37	E350	Cutaway Cab - Commercial
E39	E350	Cutaway Cab - Commercial Stripped
E40	E350	Super Duty - Cutaway (RV)
E47	E350	Super Duty - Commercial
F07	F150	Pickup 4x2
F08	F150	Pickup 4x4
F14	F150	Pickup 4x4
F15	F150	Pickup 4x2
F17	F150	Pickup 4x2
F18	F150	Pickup 4x4
F20	F250	Cutaway 4x2 (94-95)
	F250	Pickup 4x2 (99)
F21	F250	Pickup 4x4
F25	F250	Pickup 4x2
F26	F250	Pickup 4x4
F27	F250	Pickup 4x2
F28	F250	Pickup 4x4
F30	F350	Pickup 4x2
F31	F350	Pickup 4x4
F32	F350	Pickup 4x2
F33	F350	Pickup 4x4
F34	F350	Cab & Chassis 4x2
F35	F350	Pickup 4x2 (90-97)
	F350	Pickup 4x4 (99)
F36	F350	Pickup 4x4 (90-97)
	F350	Pickup 4x2 (99)
F37	F350	Cab & Chassis 4x2 (90-97)
	F350	Pickup 4x4 (99)
F38	F350	Cab & Chassis 4x4
F47	F350	Cab & Chassis 4x2
F53	RV	Motorhome - Stripped Chassis
F59	Commercial Vehicle	- Stripped Chassis
F60	Stripped Chassis	

R10	Ranger	Pickup 4x2
R11	Ranger	Pickup 4x4
R14	Ranger	Super Cab Pickup 4x2
R15	Ranger	Super Cab Pickup 4x4
S14	E150	Super Cargo Van
S24	E250	Super Cargo Van
S31	E350	Super Club Wagon
S34	E350	Super Cargo Van
U12	Bronco II	4x2
U14	Bronco II	4x4
U15	Bronco	(Full Size) 4x4
U17	Expedition	4x2
U18	Expedition	4x4
U22	Explorer	4x2 2 Dr
U24	Explorer	4x4 2 Dr
U27	Navigator	4x2
U28	Navigator	4x4
U32	Explorer	4x2 4 Dr
U34	Explorer	4x4 4 Dr
U35	Explorer	4x4 4 Dr
U52	Mountaineer	4x2
U54	Mountaineer	4x4
U55	Mountaineer	4x4
V11	Villager	Window Wagon
V14	Villager	Cargo Van
W20	F250	Pickup (Crew Cab) 4x2
W21	F250	Pickup (Crew Cab) 4x4
W25	F250	Pickup (Crew Cab) 4x2
W26	F250	Pickup (Crew Cab) 4x4
W30	F350	Pickup (Crew Cab) 4x2
W31	F350	Pickup (Crew Cab) 4x4
W32	F350	Pickup (Crew Cab) 4x2
W33	F350	Pickup (Crew Cab) 4x4
W34	F350	Cab & Chassis (Crew Cab) 4x2
W35	F350	Pickup (Crew Cab) 4x2 (90-97)
	F350	Cab & Chassis 4x4 (99)
W36	F350	Pickup (Crew Cab) 4x4 (90-97)
	F350	Cab & Chassis (Crew Cab) 4x2 (99)
W37	F350	Cab & Chassis 4x2 (95)
	F350	Cab & Chassis (Crew Cab) 4x4 (99)
W38	F350	Pickup (Crew Cab) 4x4
X07	F150	Pickup (Super Cab) 4x2
X08	F150	Pickup (Super Cab) 4x4
X14	F150	Pickup (Super Cab) 4x4
X15	F150	Pickup (Super Cab) 4x2
X17	F150	Pickup (Super Cab) 4x2
X18	F150	Pickup (Super Cab) 4x4
X20	F250	Pickup (Super Cab) 4x2
X21	F250	Pickup (Super Cab) 4x4
X25	F250	Pickup (Super Cab) 4x2
X26	F250	Pickup (Super Cab) 4x4
X27	F250	Pickup (Super Cab) 4x2
X28	F250	Pickup (Super Cab) 4x4
X30	F350	Pickup (Super Cab) 4x2
X31	F350	Pickup (Super Cab) 4x4
X32	F350	Pickup (Super Cab) 4x2
X33	F350	Pickup (Super Cab) 4x4
X34	F350	Cab & Chassis (Super Cab) 4x2
X35	F350	Pickup (Super Cab) 4x2 (90-97)
	F350	Cab & Chassis (Super Cab) 4x2 (99)
X36	F350	Cab & Chassis (Super Cab) 4x2
X37	F350	Pickup (Crew Cab) 4x2 (95)
	F350	Cab & Chassis (Super Cab) 4x4 (99)

8th Position - ENGINE TYPE

A	4-140 (2.3) 90-92	SOHC EFI
	4-140 (2.3) 93-97	SOHC MFI
	8-330 (5.4) 99	DOHC
C	4-153 (2.5) 98	SOHC MFI
	4-153 (2.5) 99	SOHC SEFI
	8-446 (7.3) 92-93	Diesel Turbo
E	6-241 (4.0) 97-98	SOHC MFI
	6-241 (4.0) 99	SOHC SEFI
F	8-445 (7.3) 94-98	Diesel Turbo DI
G	8-460 (7.5) 90-92	OHV EFI
	8-460 (7.5) 93-98	OHV MFI
H	8-351 (5.8) 90-92	OHV EFI
	8-351 (5.8) 93-98	OHV MFI
K	8-445 (7.3) 94	Diesel Turbo IDI
L	8-330 (5.4) 97-98	SOHC MFI
	8-330 (5.4) 99	SOHC SEFI
M	8-446 (7.3) 90-94	Diesel

	8-330 (5.4) 97-98	SOHC Natural Gas
	8-330 (5.4) 99	SOHC SEFI
N	8-302 (5.0) 90-92	OHV EFI
	8-302 (5.0) 93-97	OHV MFI
P	8-302 (5.0) 96-98	MFI
	8-302 (5.0) 99	OHV SEFI
R	8-351 (5.8) 94-95	MFI HP
S	10-415 (6.8) 97-98	SOHC MFI
	10-415 (6.8) 99	SOHC SEFI
T	6-177 (2.9) 90-92	OHV EFI
	6-200 (3.3) 99	SOHC SEFI
U	6-183 (3.0) 90-92	EFI
	6-182 (3.0) 93-98	OHV MFI
	6-182 (3.0) 99	OHV SEFI
W	8-281 (4.6) 97-98	SOHC MFI Romeo
	8-281 (4.6) 99	SOHC SEFI Romeo
X	6-241 (4.0) 91-98	SOHC OHV MFI
	6-241 (4.0) 99	OHV SEFI
Y	6-300 (4.9) 90-92	OHV EFI
	6-300 (4.9) 93-97	OHV MFI
Z	6-300 (4.9) 94-97	GFP
	8-330 (5.4) 98	SOHC MFI Windsor
	8-330 (5.4) 99	SOHC SEFI Windsor
1	6-182 (3.0) 97-98	SOHC
2	6-256 (4.2) 97-98	OHV MFI
	6-256 (4.2) 99	OHV SEFI
4	6-232 (3.8) 94-98	OHV MFI
	6-232 (3.8) 99	OHV SEFI
6	8-281 (4.6) 97-98	SOHC MFI Windsor
	8-281 (4.6) 99	SOHC SEFI Windsor
9	6-300 (4.9) 90-96	2BC LPG Conversion

9th Position - CHECK DIGIT**10th Position - MODEL YEAR**

L	- 1990	P - 1993	T - 1996	X - 1999
M	- 1991	R - 1994	V - 1997	
N	- 1992	S - 1995	W - 1998	

11th Position - ASSEMBLY PLANT

12th thru 17th Positions - SEQUENCE NUMBER
A sequential number assigned by the manufacturer.

2000-03 FORD TRUCK**1st, 2nd & 3rd Positions - MANUFACTURER**

1FB	Ford USA	Bus
1FC	Ford USA	Truck (Stripped Chassis)
1FD	Ford USA	Incomplete Vehicle
1FF	Ford USA	Motor Vehicle (w/o power train)
1FM	Ford USA	Multipurpose Vehicle, Bus
1FT	Ford USA	Truck (Complete)
1LJ	Ford USA	Incomplete Vehicle
1MH	Ford USA	Incomplete Vehicle
2FB	Ford Canada	Bus
2FC	Ford Canada	Truck (Stripped Chassis)
2FD	Ford Canada	Incomplete Vehicle
2FF	Ford Canada	Motor Vehicle (w/o power train)
2FM	Ford Canada	Multipurpose Vehicle
2FT	Ford Canada	Complete Vehicle
2MH	Ford Canada	Incomplete Vehicle
3FB	Ford (Mexico)	Bus
3FC	Ford (Mexico)	Truck (Stripped Chassis)
3FE	Ford (Mexico)	Incomplete Vehicle
3FM	Ford (Mexico)	Multipurpose Vehicle
3FT	Ford (Mexico)	Truck (Complete)
4F2	Ford USA	Multipurpose Vehicle
4F3	Ford USA	Incomplete Vehicle
4F4	Ford USA	Truck (Complete)
4M2	Ford USA	Multipurpose Vehicle
4M3	Ford USA	Incomplete Vehicle
4M4	Ford USA	Truck (Complete)
4N2	Ford USA	Multipurpose Vehicle
4N3	Ford USA	Incomplete Vehicle
4N4	Ford USA	Truck (Complete)
5LD	Ford USA	Incomplete Vehicle
5LM	Ford USA	Multipurpose Vehicle
5LT	Ford USA	Truck (Complete)

4th Position - GVW

A	Up to 3,000
B	3,001 - 4,000
C	4,001 - 5,000
D	5,001 - 6,000
E	6,001 - 7,000
F	7,001 - 8,000
G	8,001 - 8,500

VEHICLE IDENTIFICATION

VIN DECODING

FORD MOTOR CO.

2000-03 FORD TRUCK (Cont.)**4th Position - GVW (Cont.)**

H 8,501 - 9,000
 J 9,001 - 10,000
 K 10,001 - 14,000
 N 8,501 - 9,000
 P 7,001 - 8,000
 R 6,001 - 7,000
 S 9,001 - 10,000
 T Up to 3,000
 U 3,001 - 4,000
 V 8,001 - 8,500
 W 10,001 - 14,000
 Y 4,001 - 5,000
 Z 5,001 - 6,000

5th, 6th & 7th Positions - BODY TYPE

A51 Windstar 3 Dr Wagon
 A52 Windstar 4 Dr Wagon
 A53 Windstar 4 Dr Wagon
 A54 Windstar Cargo Van
 A55 Windstar 4 Dr Wagon
 A56 Windstar 4 Dr Wagon
 A51 Aerostar 3 Dr Wagon
 A52 Aerostar 4 Dr Wagon
 A53 Aerostar 4 Dr Wagon
 A54 Aerostar Cargo Van
 A55 Aerostar 4 Dr Wagon
 A56 Aerostar 4 Dr Wagon
 A51 Freestar 3 Dr Wagon
 A52 Freestar 4 Dr Wagon
 A53 Freestar 4 Dr Wagon
 A54 Freestarr Cargo Van
 A55 Freestar 4 Dr Wagon
 A56 Freestar 4 Dr Wagon
 A51 Monterey 3 Dr Wagon
 A52 Monterey 4 Dr Wagon
 A53 Monterey 4 Dr Wagon
 A54 Monterey Cargo Van
 A55 Monterey 4 Dr Wagon
 A56 Monterey 4 Dr Wagon
 E11 E150 Club Wagon
 E14 E150 Cargo Van
 E24 E250 Cargo Van
 E27 E250 Cutaway Cab - Commercial
 E29 E250 Stripped Chassis (RV)
 E31 E350 Club Wagon
 E34 E350 Cargo Van
 E35 E350 Cutaway Cab - Commercial
 E39 E350 Cutaway Cab - Commercial
 F07 F150 Pickup 4x2
 F08 F150 Pickup 4x4
 F12 F150 2WD
 F14 F150 4WD
 F15 F150
 F17 F150 Pickup 4x2
 F18 F150 Pickup 4x4
 F20 F250 Pickup 4x2
 F21 F250 Pickup 4x4
 F30 F350 Pickup 4x2
 F31 F350 Pickup 4x4
 F32 F350 Pickup 4x2
 F33 F350 Pickup 4x4
 F34 F350 Cab & Chassis 4x2
 F35 F350 Pickup 4x4
 F36 F350 Pickup 4x2
 F37 F350 Pickup 4x2
 F53 F350 RV Motorhome-Stripped Chassis
 R10 Ranger Pickup 4x2
 R11 Ranger Pickup 4x4
 R14 Ranger Super Cab Pickup 4x2
 R15 Ranger Super Cab Pickup 4x4
 S24 E250 Super Cargo Van
 S31 E350 Super Club Wagon
 S34 E350 Super Cargo Van
 U01 Escape XLS 4x2
 U02 Escape XLS 4x4
 U03 Escape XLT 4x2
 U04 Escape XLT 4x4
 U15 Expedition 4x2
 U16 Expedition 4x4
 U17 Expedition 4x2
 U18 Expedition 4x4
 U27 Navigator 4x2
 U28 Navigator 4x4
 U40 Excursion 4x2

U41 Excursion 4x4
 U42 Excursion 4x2
 U43 Excursion 4x4
 U60 Explorer 4x2 2 Dr
 U60 Explorer Sport 4x2
 U61 Explorer 4x2 2 Dr
 U62 Explorer 4x2 2 Dr
 U63 Explorer 4x2 2 Dr
 U64 Explorer 4x2 2 Dr
 U65 Explorer 4x2 2 Dr
 U66 Mountaineer 4x2 4 Dr
 U67 Explorer Sport Trac 4x2
 U68 Aviator 2WD
 U70 Explorer 4x4 2 Dr
 U70 Explorer Sport 4x4
 U71 Explorer 4x4 4 Dr
 U72 Explorer 4x4 4 Dr
 U73 Explorer 4x4 4 Dr
 U74 Explorer 4x4 4 Dr
 U75 Explorer 4x4 4 Dr
 U76 Mountaineer 4x4 4 Dr
 U77 Explorer Sport Trac 4x4
 U78 Aviator AWD
 U82 Explorer 4x4 4 Dr
 U83 Explorer AWD 4 Dr
 U85 Explorer AWD 4 Dr
 U86 Mountaineer AWD 4 Dr
 U88 Aviator AWD
 V11 Villager Window Wagon
 V14 Villager Cargo Van
 W05 Blackwood 4x2
 W07 F150 Pickup (Super Crew) 4x2
 W08 F150 Pickup (Super Crew) 4x4
 W20 F250 Pickup (Crew Cab) 4x2
 W21 F250 Pickup (Crew Cab) 4x4
 W30 F350 Pickup (Crew Cab) 4x2
 W31 F350 Pickup (Crew Cab) 4x4
 W32 F350 Pickup (Crew Cab) 4x2
 W33 F350 Pickup (Crew Cab) 4x4
 W34 F350 Cab & Chassis (Crew Cab) 4x2
 W35 F350 Cab & Chassis (Crew Cab) 4x4
 W36 F350 Cab & Chassis (Crew Cab) 4x2
 W37 F350 Cab & Chassis (Crew Cab) 4x4
 W46 F350 Cab & Chassis (Crew Cab) 4x2
 W47 F350 Cab & Chassis (Crew Cab) 4x4
 X07 F150 Pickup (Super Cab) 4x2
 X08 F150 Pickup (Super Cab) 4x4
 X17 F150 Pickup (Super Cab) 4x2
 X18 F150 Pickup (Super Cab) 4x4
 X20 F150 Pickup (Super Cab) 4x2
 X21 F250 Pickup (Super Cab) 4x4
 X30 F350 Pickup (Super Cab) 4x2
 X31 F350 Pickup (Super Cab) 4x4
 X32 F350 Pickup (Super Cab) 4x2
 X33 F350 Pickup (Super Cab) 4x4
 X34 F350 Cab & Chassis (Super Cab) 4x2
 X35 F350 Cab & Chassis (Super Cab) 4x2
 X36 F350 Cab & Chassis (Super Cab) 4x2
 X37 F350 Cab & Chassis (Super Cab) 4x4

8th Position - ENGINE TYPE

A 8-330 (5.4) DOHC
 B 4-122 (2.0) ZETEC
 C 4-153 (2.5) SOHC SEFI
 D 4-140 (2.3) DOHC
 E 6-241 (4.0) SOHC SEFI
 F 8-445 (7.3) Diesel
 H 8-280 (4.6) DOHC
 K 6-244 (4.0) SOHC
 L 8-330 (5.4) SOHC SEFI
 M 8-330 (5.4) SOHC SEFI
 P 8-302 (5.0) OHV SEFI Gas
 P 8-363 (6.0) OHV Diesel
 R 8-330 (5.4) DOHC
 S 10-445 (6.8) SOHC SEFI
 T 6-200 (3.3) SOHC SEFI
 U 6-182 (3.0) OHV SEFI
 W 8-281 (4.6) SOHC SEFI Romeo
 X 6-241 (4.0) OHV SEFI
 Z 8-330 (5.4) SOHC SEFI Windsor
 1 6-183 (3.0) DURATEC
 2 6-256 (4.2) OHV SEFI
 3 8-330 (5.4) SOHC
 5 8-330 (5.4) SOHC
 6 8-281 (4.6) SOHC SEFI Windsor

9th Position - CHECK DIGIT**10th Position - MODEL YEAR**

Y - 2000 2 - 2002
 1 - 2001 3 - 2003

11th Position - ASSEMBLY PLANT**12th thru 17th Positions - SEQUENCE NUMBER**

A sequential number assigned by the manufacturer.

2004-07 FORD TRUCK

NOTE: 2005-2007 Freestyle information not available at time of publication.

1st, 2nd & 3rd Positions - WORLD MANUFACTURER IDENTIFIER (WMI)

1FB Ford Motor Company, USA, Bus
 1FC Ford Motor Company, USA, Basic (Stripped) Chassis
 1FD Ford Motor Company, USA, Incomplete Vehicle
 1FM Ford Motor Company, USA, Multi-purpose Vehicle
 1FT Ford Motor Company, USA, Truck, Completed Vehicle
 1F1 Ford Motor Company, USA, Multi-purpose Vehicle (limousine)
 3FD Ford Motor Company, Mexico, Incomplete Vehicle
 3FT Ford Motor Company, Mexico, Completed Vehicle
 4M2 Ford Motor Company, (Mercury), Multi-purpose Vehicle
 5LM Ford Motor Company, (Lincoln), Truck, Completed Vehicle
 5LT Ford Motor Company, (Lincoln), USA, Truck, Completed Vehicle
 5L1 Lincoln, USA, Multi-purpose Vehicle (limousine)

4th Position - BRAKE TYPE & GROSS VEHICLE WEIGHT RATING (GVWR) CODE

A 16,001 - 19,500 GVWR
 B 3,001 - 4,000 GVWR
 C 4,001 - 5,000 GVWR
 D 5,001 - 6,000 GVWR
 E 6,001 - 7,000 GVWR
 F 7,001 - 8,000 GVWR
 H 8,501 - 9,000 GVWR
 J 9,001 - 10,000 GVWR
 K 10,001 - 14,000 GVWR
 L 14,001 - 16,000 GVWR
 M 16,001 - 19,500 GVWR
 N 8,501 - 9,000 GVWR
 P 7,001 - 8,000 GVWR
 R 6,001 - 7,000 GVWR
 S 9,001 - 10,000 GVWR
 U 3,000 - 4,000 GVWR
 V 8,001 - 8,500 GVWR
 W 10,001 - 14,000 GVWR
 X 14,001 - 16,000 GVWR
 Y 4,000 - 5,000 GVWR
 Z 5,001 - 6,000 GVWR
 8 4,680 GVWR (Hybrid)
 9 4,720 GVWR (Hybrid)

5th, 6th & 7th Positions - VEHICLE LINE, SERIES & BODY TYPE CODE

A20 Monterey
 A21 Monterey, Convenience
 A22 Monterey, Luxury
 A23 Monterey, Premier
 A50 Freestar, Base
 A51 Freestar, LX
 A51 Freestar, SE, (06-07)
 A52 Freestar, SE
 A52 Freestar, SEL (06-07)
 A53 Freestar, GLE
 A54 Freestar, Van
 A57 Freestar, SE Sport
 A58 Freestar, SEL Limited
 C35 E350 Super Duty Chassis Cab
 C45 E450 Super Duty Chassis Cab
 E11 E150 Wagon
 E14 E150 Van
 E24 E250 Van
 E31 E350 Wagon
 E34 E350 Van
 E35 E350 Base Cutaway
 E39 E350 Stripped Chassis

Cont.

2004-07 FORD TRUCK (Cont.)**5th, 6th & 7th Positions - VEHICLE LINE, SERIES & BODY TYPE CODE (CONT.)**

E45 E450 Super Duty Cutaway
 E49 E450 Super Duty Stripped Chassis
 F02 F150, 4x2, Regular Cab, Flareside
 F04 F150, 4x4, Regular Cab, Flareside
 F07 Regular Cab, 4x2, Flareside
 F08 Regular Cab, 4x4, Flareside
 F12 F150, 4x2, Regular Cab, Styleside
 F14 F150, 4x4, Regular Cab, Styleside
 F17 Regular Cab, 4x2 Styleside
 F18 Regular Cab, 4x4 Styleside
 F20 F250, Regular Cab, 4x2, Single Rear Wheels
 F21 F250, Regular Cab, 4x4, Single Rear Wheels
 F30 F350, Regular Cab, 4x2, Single Rear Wheels
 F31 F350, Regular Cab, 4x4, Single Rear Wheels
 F32 F350, Regular Cab, 4x2, Dual Rear Wheels
 F33 F350, Regular Cab, 4x4, Dual Rear Wheels
 F34 F350, Regular Cab, (Chassis Cab) 4x2, Single Rear Wheels
 F35 F350, Regular Cab, (Chassis Cab) 4x4, Single Rear Wheels
 F36 F350, Regular Cab, (Chassis Cab) 4x2, Dual Rear Wheels
 F37 F350, Regular Cab, (Chassis Cab) 4x4, Dual Rear Wheels
 F46 F450, Regular Cab, (Chassis Cab) 4x2, Dual Rear Wheels
 F47 F450, Regular Cab, (Chassis Cab) 4x4, Dual Rear Wheels
 F56 F550, Regular Cab, (Chassis Cab) 4x2, Dual Rear Wheels
 F57 F550, Regular Cab, (Chassis Cab) 4x4, Dual Rear Wheels
 K15 Expedition EL, XLT, 4x2
 K16 Expedition EL, XLT, 4x4
 K17 Expedition EL, Eddie Bauer, 4x2
 K18 Expedition EL, Eddie Bauer, 4x4
 K19 Expedition EL, Limited, 4x2
 K20 Expedition EL, Limited, 4x4
 K36 Edge, 4x2, SE
 K38 Edge, 4x2, SEL
 K39 Edge, 4x2, SEL Plus
 K46 Edge, 4x4, SE
 K48 Edge, 4x4, SEL
 K49 Edge, 4x4, SEL Plus
 R10 Ranger 4x2, Regular Cab
 R11 Ranger 4x4, Regular Cab
 R14 Ranger 4x2, SuperCab (2 Dr)
 R15 Ranger 4x4, SuperCab (2 Dr)
 R44 4x2, SuperCab (4 Dr)
 R45 4x4, SuperCab (4 Dr)
 S24 E250 Van (Extended Body)
 S31 E350 Wagon (Extended Body)
 S34 E350 Van (Extended Body)
 U02 2 Wheel Drive, XLS
 U03 2 Wheel Drive, XLT
 U04 2 Wheel Drive, Limited
 U13 Expedition, 4x2, XLS
 U14 Expedition, 4x4, XLS
 U15 Expedition, 4x2, XLT
 U16 Expedition, 4x4, XLT
 U17 Expedition, 4x2, Eddie Bauer
 U18 Expedition, 4x4, Eddie Bauer
 U19 Expedition, 4x2, Limited (06-07)
 U20 Expedition, 4x4, Limited (06-07)
 U27 Navigator, 4x2
 U28 Navigator, 4x4
 U31 Explorer Sport Track XLT, 4x2
 U33 Explorer Sport Track Limited, 4x4
 U36 Mountaineer, 4x2, Base-level Model (MPV) (06-07)
 U37 Mountaineer, 4x2, Mid-level Model (MPV) (06-07)

U38 Mountaineer, 4x2, High-level Model (MPV) (06-07)
 U39 Mariner, Hybrid, 4x4
 U40 Excursion, 4x2, XLT
 U41 Excursion, 4x4, XLT
 U42 Excursion, 4x2, Limited
 U43 Excursion, 4x4, Limited
 U44 Excursion, 4x2, Eddie Bauer
 U45 Excursion, 4x4, Eddie Bauer
 U46 Mountaineer, AWD, Base-level Model (MPV) (06-07)
 U47 Mountaineer, AWD, Mid-level Model (MPV) (06-07)
 U48 Mountaineer, AWD, High-level Model (MPV) (06-07)
 U49 Escape Hybrid, 4x2
 U51 Explorer Sport Track XLT, 4x4
 U53 Explorer Sport Track Limited, 4x4
 U56 Mariner, 2WD (06)
 U57 Mariner, 4WD (06)
 U59 Escape Hybrid, 4x4
 U62 Explorer, 4x2, XLS, (MPV)
 U63 Explorer, 4x2, XLT, (MPV)
 U64 Explorer, 4x2, Eddie Bauer, (MPV)
 U65 Explorer, 4x2, Limited, (MPV)
 U66 Mountaineer, 4x2, (MPV)
 U67 Sport Trac, 4 Dr, 4x2
 U68 Aviator, 4x2, (MPV)
 U68 MKX, FWD, Premium
 U72 Explorer, 4x4, XLS, (MPV)
 U73 Explorer, 4x4, XLT, (MPV)
 U74 Explorer, 4x4, Eddie Bauer, (MPV)
 U75 Explorer, 4x4, Limited, (MPV)
 U77 Sport Trac, 4 Dr, 4x4
 U82 Explorer, XLS, (AWD),(MPV)
 U83 Explorer, XLT, (AWD), (MPV)
 U84 Explorer, Eddie Bauer, (AWD), (MPV)
 U85 Explorer, Limited, (AWD), (MPV)
 U86 Mountaineer, (AWD), (MPV)
 U88 Aviator, 4x2, (AWD), (MPV)
 U88 MKX, AWD, Premium
 U90 Mariner Convenience Version 4x4
 U91 Mariner Luxury Version 4x2
 U92 Escape XLS, 4x4
 U93 Escape XLT, 4x4
 U94 Escape Limited, 4x4
 U97 Mariner Premier Version 4x4
 U92 4 Wheel Drive, XLS
 U93 4 Wheel Drive, XLT
 U94 4 Wheel Drive, Limited
 U95 XLT - 2 Wheel Drive, (Hybrid)
 U99 XLT - 4 Wheel Drive, (Hybrid)
 W12 F150, 4x2, Crew Cab, 5.5 ft. Styleside
 W14 F150, 4x4, Crew Cab, 5.5 ft. Styleside
 W16 Mark LT, 4x2 Crew Cab, 5.5 ft. Styleside (06-07)
 W18 Mark LT, 4x4 Crew Cab, 5.5 ft. Styleside (06-07)
 W20 F250, Crew Cab, 4x2, Single Rear Wheels
 W21 F250, Crew Cab, 4x4, Single Rear Wheels
 W30 F350, Crew Cab, 4x2, Single Rear Wheels
 W31 F350, Crew Cab, 4x4, Single Rear Wheels
 W32 F350, Crew Cab, 4x2, Dual Rear Wheels
 W33 F350, Crew Cab, 4x4, Dual Rear Wheels
 W34 F350, Crew Cab, (Chassis Cab) 4x2, Single Rear Wheels
 W35 F350, Crew Cab, (Chassis Cab) 4x4, Single Rear Wheels
 W36 F350, Crew Cab, (Chassis Cab) 4x2, Dual Rear Wheels
 W37 F450, Crew Cab, (Chassis Cab) 4x4, Dual Rear Wheels
 W46 F450, Crew Cab, (Chassis Cab) 4x2, Dual Rear Wheels
 W47 F450, Crew Cab, (Chassis Cab) 4x4, Dual Rear Wheels

W56 F550, Crew Cab, (Chassis Cab) 4x2, Dual Rear Wheels
 W57 F550, Crew Cab, (Chassis Cab) 4x4, Dual Rear Wheels
 X02 F150, 4x2, Super Cab, 6.5 ft. Flareside
 X04 F150, 4x4, Super Cab, 6.5 ft. Flareside
 X12 F150, 4x2, Super Cab, 8 ft. Styleside, 5.5 ft. Styleside, 6.5 ft. Styleside
 X14 F150, 4x4, Super Cab, 8 ft. Styleside, 5.5 ft. Styleside, 6.5 ft. Styleside
 X17 Super Cab, 4x2, Styleside
 X18 Super Cab, 4x4, Styleside
 X20 F250, Super Cab, 4x2, Single Rear Wheels
 X21 F250, Super Cab, 4x4, Single Rear Wheels
 X30 F350, Super Cab, 4x2, Single Rear Wheels
 X31 F350, Super Cab, 4x4, Single Rear Wheels
 X32 F350, Super Cab, 4x2, Dual Rear Wheels
 X33 F350, Super Cab, 4x4, Dual Rear Wheels
 X34 F350, Super Cab, (Chassis Cab) 4x2, Single Rear Wheels
 X35 F350, Super Cab, (Chassis Cab) 4x4, Single Rear Wheels
 X36 F350, Super Cab, (Chassis Cab) 4x2, Dual Rear Wheels
 X37 F350, Super Cab, (Chassis Cab) 4x4, Dual Rear Wheels
 X46 F450, Super Cab, (Chassis Cab) 4x2, Dual Rear Wheels
 X47 F450, Super Cab, (Chassis Cab) 4x4, Dual Rear Wheels
 X56 F550, Super Cab, (Chassis Cab) 4x2, Dual Rear Wheels
 X57 F550, Super Cab, (Chassis Cab) 4x4, Dual Rear Wheels

8th Position - ENGINE TYPE

C	3.5L SFI V6	Gas	
D	2.3 L EFI 4 Cyl	Gas	
E	4.0 L EFI V6	Gas	SOHC
E	4.0 L EFI V6 (Ranger)	Gas	SOHC
H	4.6 L V8 (Aviator)		
H	2.3 L PFI 4 Cyl ATK-CYC (Hybrid)	Gas/Electric	4V SOHC
K	4.0 L EFI V6	Gas/Flex Fuel	SOHC
L	5.4 L EFI V8	Gas/Flex Fuel	2V SOHC
M	5.4 L EFI V8		CNG SOHC
P	6.0 L EFI V8	DI Turbo Diesel	OHV
S	6.8 L EFI V10	Gas	SOHC
R	5.4 L EFI		4V DOHC
U	3.0 L EFI V6	Gas	OHV
V	6.8 L EFI V10	Gas	3V
W	4.6 L EFI V8	Gas	SOHC
Y	6.8 L EFI V10	Gas	3V (06-07)
Z	5.4 L V8 (Pickup Heritage)	Bi-Fuel	CNG/Propane
Z	2.3 L 4 Cyl		4V
1	3.0 L EFI V6	Modular	DOHC
2	4.2 L EFI V6	Gas	OHV
3	5.4 L SFI V8	Gas	SOHC
5	5.4 L EFI V8		3V SOHC
6	3.9 L EFI V6		OHV
8	4.6 L EFI V8		3V

9th Position - CHECK DIGIT**10th Position - MODEL YEAR**

4 - 2004 6 - 2006
 5 - 2005 7 - 2007

11th Position - ASSEMBLY PLANT**12th thru 17th Positions - SEQUENCE NUMBER**

A sequential number assigned by the manufacturer.

GENERAL MOTORS

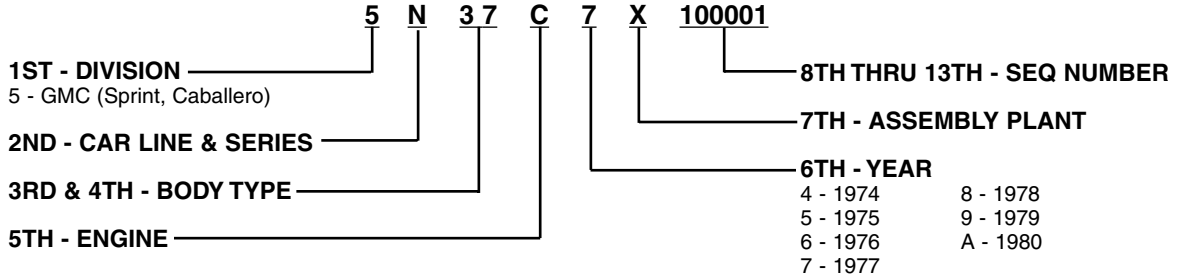
CABALLERO & SPRINT

LOCATION: The Vehicle Identification Number is stamped on a metal plate. The plate is attached to the upper left corner of the instrument panel on all models.

SAMPLE VIN:

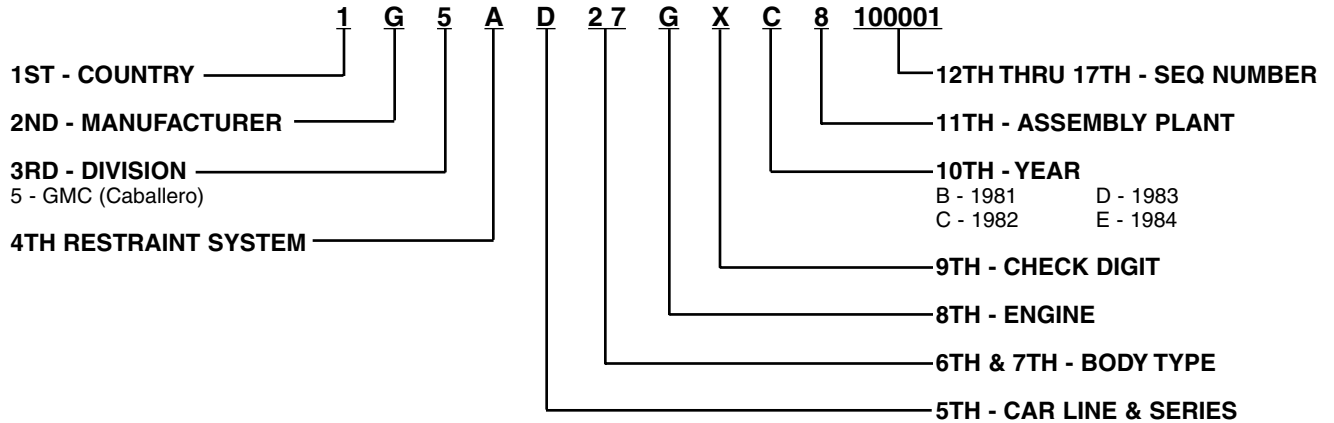
1974-80

(13 DIGIT NUMBER)



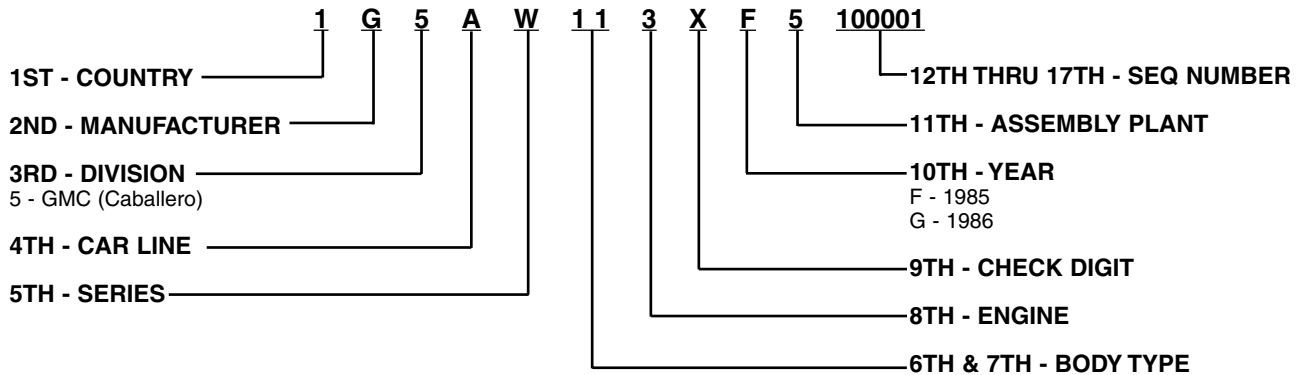
1981-84

(17 DIGIT NUMBER)



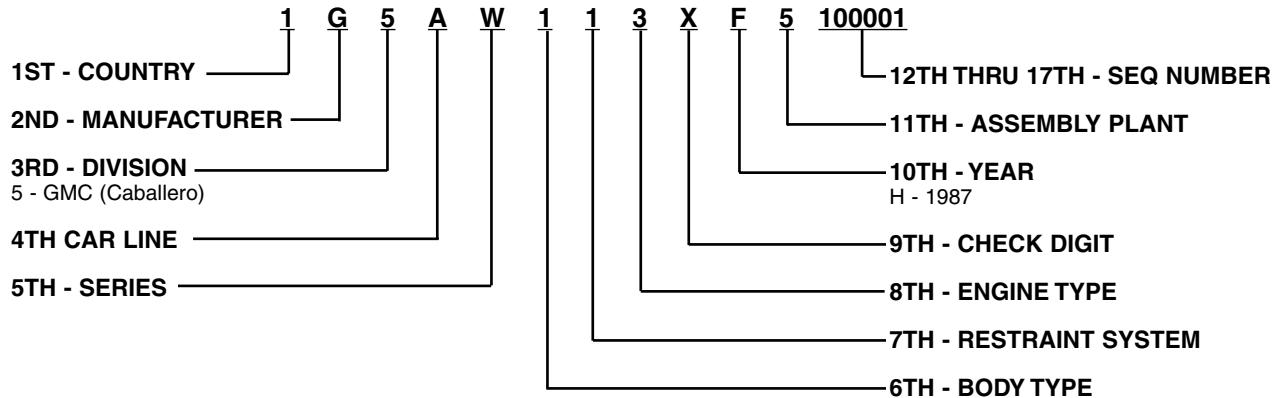
1985-86

(17 DIGIT NUMBER)



1987

(17 DIGIT NUMBER)



1974 CABALLERO/SPRINT

- 1st Position - DIVISION**
5 GMC Truck
- 2nd Position - CAR LINE & SERIES**
C Sprint Std
D Sprint Custom
- 3rd & 4th Positions - BODY TYPE**
80 2 Dr Pickup
- 5th Position - ENGINE TYPE**
H 8-350 (5.7) 2BC 145HP
L 8-350 (5.7) 4BC 160HP
R 8-400 (6.6) 2BC 150HP
U 8-400 (6.6) 4BC 180HP
Y 8-454 (7.4) 4BC 235HP
- 6th Position - MODEL YEAR**
4 1974
- 7th Position - ASSEMBLY PLANT**
- 8th thru 13th Positions - SEQUENCE NUMBER**
A sequential serial number assigned by the vehicle manufacturer.

1975 CABALLERO/SPRINT

- 1st Position - DIVISION**
5 GMC Truck
- 2nd Position - CAR LINE & SERIES**
C Sprint Std
D Sprint Classic
- 3rd & 4th Positions - BODY TYPE**
80 2 Dr Pickup
- 5th Position - ENGINE TYPE**
D 6-250 (4.1) 1BC 105HP
H 8-350 (5.7) 2BC 145HP
L 8-350 (5.7) 4BC 155HP
U 8-400 (6.6) 4BC 175HP
Y 8-454 (7.4) 4BC 215HP
- 6th Position - MODEL YEAR**
5 1975
- 7th Position - ASSEMBLY PLANT**
- 8th thru 13th Positions - SEQUENCE NUMBER**
A sequential serial number assigned by the vehicle manufacturer.

1976 CABALLERO/SPRINT

- 1st Position - DIVISION**
5 GMC Truck
- 2nd Position - CAR LINE & SERIES**
C Sprint Std
D Sprint Classic
- 3rd & 4th Positions - BODY TYPE**
80 2 Dr Pickup
- 5th Position - ENGINE TYPE**
D 6-250 (4.1) 1BC 105HP
L 8-350 (5.7) 4BC 165HP
Q 8-305 (5.0) 2BC 140HP
U 8-400 (6.6) 4BC 175HP
V 8-350 (5.7) 2BC 145HP

- 6th Position - MODEL YEAR**
6 1976
- 7th Position - ASSEMBLY PLANT**
- 8th thru 13th Positions - SEQUENCE NUMBER**
A sequential serial number assigned by the vehicle manufacturer.

1977 CABALLERO/SPRINT

- 1st Position - DIVISION**
5 GMC Truck
- 2nd Position - CAR LINE & SERIES**
C Sprint Std
D Sprint Classic
- 3rd & 4th Positions - BODY TYPE**
80 2 Dr Pickup
- 5th Position - ENGINE TYPE**
D 6-250 (4.1) 1BC 110HP
L 8-350 (5.7) 4BC 170HP
U 8-305 (5.0) 2BC 145HP
- 6th Position - MODEL YEAR**
7 1977
- 7th Position - ASSEMBLY PLANT**
- 8th thru 13th Positions - SEQUENCE NUMBER**
A sequential serial number assigned by the vehicle manufacturer.

1978 CABALLERO/SPRINT

- 1st Position - DIVISION**
5 GMC Truck
- 2nd Position - CAR LINE & SERIES**
W Caballero
- 3rd & 4th Positions - BODY TYPE**
80 2 Dr Pickup
- 5th Position - ENGINE TYPE**
A 6-231 (3.8) 2BC 105HP Buick Design
L 8-350 (5.7) 4BC 170HP Chev Design
M 6-200 (3.3) 2BC 95HP
U 8-305 (5.0) 2BC 145HP
- 6th Position - MODEL YEAR**
8 1978
- 7th Position - ASSEMBLY PLANT**
- 8th thru 13th Positions - SEQUENCE NUMBER**
A sequential serial number assigned by the vehicle manufacturer.

1979 CABALLERO/SPRINT

- 1st Position - DIVISION**
T GMC Truck
5 GMC Truck
- 2nd Position - CAR LINE & SERIES**
W Caballero
- 3rd & 4th Positions - BODY TYPE**
80 2 Dr Pickup

- 5th Position - ENGINE TYPE**
A 6-231 (3.8) 2BC 105HP Buick Design
H 8-305 (5.0) 4BC 165HP
J 8-267 (4.4) 2BC 125HP
L 8-350 (5.7) 4BC 170HP Chev Design
M 6-200 (3.3) 2BC 95HP
- 6th Position - MODEL YEAR**
9 1979
- 7th Position - ASSEMBLY PLANT**
- 8th thru 13th Positions - SEQUENCE NUMBER**
A sequential serial number assigned by the vehicle manufacturer.

1980 CABALLERO/SPRINT

- 1st Position - DIVISION**
T GMC Truck
5 GMC Truck
- 2nd Position - CAR LINE & SERIES**
W Caballero
- 3rd & 4th Positions - BODY TYPE**
80 2 Dr Pickup
- 5th Position - ENGINE TYPE**
A 6-231 (3.8) 2BC 110HP Buick Design
H 8-305 (5.0) 4BC 155HP
J 8-267 (4.4) 2BC 120HP
K 6-229 (3.8) 2BC 115HP
- 6th Position - MODEL YEAR**
A 1980
- 7th Position - ASSEMBLY PLANT**
- 8th thru 13th Positions - SEQUENCE NUMBER**
A sequential serial number assigned by the vehicle manufacturer.

1981-82 CABALLERO/SPRINT

- 1st Position - COUNTRY**
1 United States
2 Canada
- 2nd Position - MANUFACTURER**
G General Motors
- 3rd Position - DIVISION**
5 GMC Truck MPV
- 4th Position - RESTRAINT SYSTEM**
A Manual Belts
B Automatic Belts
C Air Bags
- 5th Position - CAR LINE & SERIES**
W Caballero
- 6th & 7th Positions - BODY TYPE**
80 2 Dr Pickup
- 8th Position - ENGINE TYPE**
A 6-231 (3.8) 2BC 110HP Buick Design
H 8-305 (5.0) 4BC 155HP
J 8-267 (4.4) 2BC 120HP
K 6-229 (3.8) 2BC 115HP

VEHICLE IDENTIFICATION

VIN DECODING

GENERAL MOTORS

<p>1981-82 CABALLERO/SPRINT (Cont.)</p> <p>9th Position - CHECK DIGIT A single number or the letter "X" used to verify the accuracy of the VIN.</p> <p>10th Position - MODEL YEAR B 1981 C 1982</p> <p>11th Position - ASSEMBLY PLANT</p> <p>12th thru 17th Positions - SEQUENCE NUMBER A sequential serial number assigned by the vehicle manufacturer.</p> <p>1983-84 CABALLERO/SPRINT</p> <p>1st Position - COUNTRY 1 United States 2 Canada</p> <p>2nd Position - MANUFACTURER G General Motors</p> <p>3rd Position - DIVISION 5 GMC Truck MPV</p> <p>4th Position - RESTRAINT SYSTEM A Manual Belts B Automatic Belts</p>	<p>5th Position - CAR LINE & SERIES W Caballero</p> <p>6th & 7th Positions - BODY TYPE 80 2 Dr Pickup</p> <p>8th Position - ENGINE TYPE A 6-231 (3.8) 2BC Buick Design H 8-305 (5.0) 4BC N 8-350 (5.7) Dsl Olds Design 9 6-229 (3.8) 2BC</p> <p>9th Position - CHECK DIGIT A single number or the letter "X" used to verify the accuracy of the VIN.</p> <p>10th Position - MODEL YEAR D 1983 E 1984</p> <p>11th Position - ASSEMBLY PLANT</p> <p>12th thru 17th Positions - SEQUENCE NUMBER A sequential serial number assigned by the vehicle manufacturer.</p> <p>1985-87 CABALLERO/SPRINT</p> <p>1st Position - COUNTRY 1 United States 2 Canada</p>	<p>2nd Position - MANUFACTURER G General Motors</p> <p>3rd Position - DIVISION 5 GMC Truck MPV</p> <p>4th Position - CAR LINE G Caballero</p> <p>5th Position - SERIES W Caballero</p> <p>6th & 7th Positions - BODY TYPE 80 2 Dr Pickup</p> <p>8th Position - ENGINE TYPE A 6-231 (3.8) 2BC H 8-305 (5.0) 4BC Z 6-262 (4.3) EFI</p> <p>9th Position - CHECK DIGIT A single number or letter "X" used to verify the accuracy of the VIN.</p> <p>10th Position - MODEL YEAR F 1985 G 1986 H 1987</p> <p>11th Position - ASSEMBLY PLANT</p> <p>12th thru 17th Positions - SEQUENCE NUMBER A sequential serial number assigned by the vehicle manufacturer.</p>
--	---	--

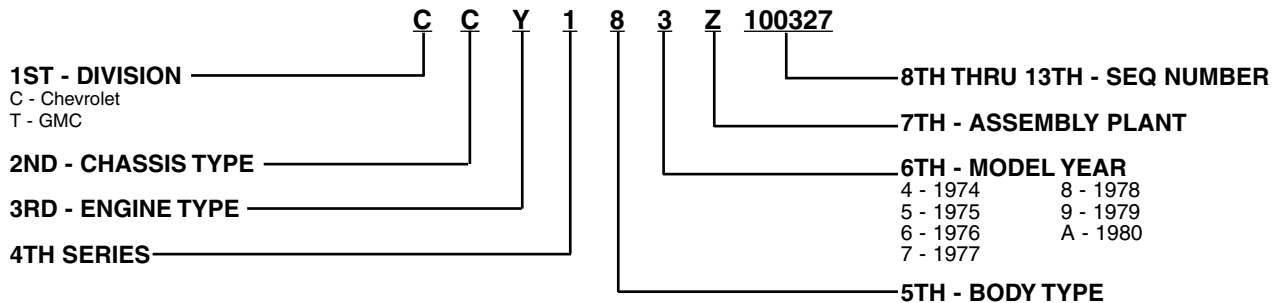
ACADIA, APV, ASTRO, AVALANCHE, AZTEK, BLAZER, BRAVADA, CAB & CHASSIS, CAB & CHASSIS SIERRA, CAB & CHASSIS SILVERADO, CANYON, CHEVY EXPRESS, CHEVY VAN, COLORADO, CUTAWAY, ENVOY, ENVOY XL, ENVOY XUV, EQUINOX, ESCALADE, ESCALADE ESV, ESCALADE EXT, HHR, JIMMY, LUMINA APV MAGNAN, MONTANA, MONTANA SV6, PICKUP, RAINIER, RALLY, RENDEZVOUS, RV CUTAWAY, SSR, S10 BLAZER, S15 JIMMY, S10 PICKUP, SAFARI, SAVANA, SAVANA CAMPER SPECIAL, SAVANA SPECIAL, SIERRA, SIERRA CLASSIC, SILHOUETTE, SILVERADO, SILVERADO CLASSIC, SONOMA, SPORTVAN, SRX, SUBURBAN, TAHOE, TERRAZA, TRACKER, TRAILBLAZER, TRANSPORT, UPLANDER, VANDURA, VENTURE, YUKON, YUKON XL

LOCATION: The vehicle identification number is located on a metal plate attached to the latch side of the left front door pillar or door frame. On 1979 and up vehicles, it can also be found on the left side of the instrument panel visible through the windshield.

SAMPLE VIN:

1974-80

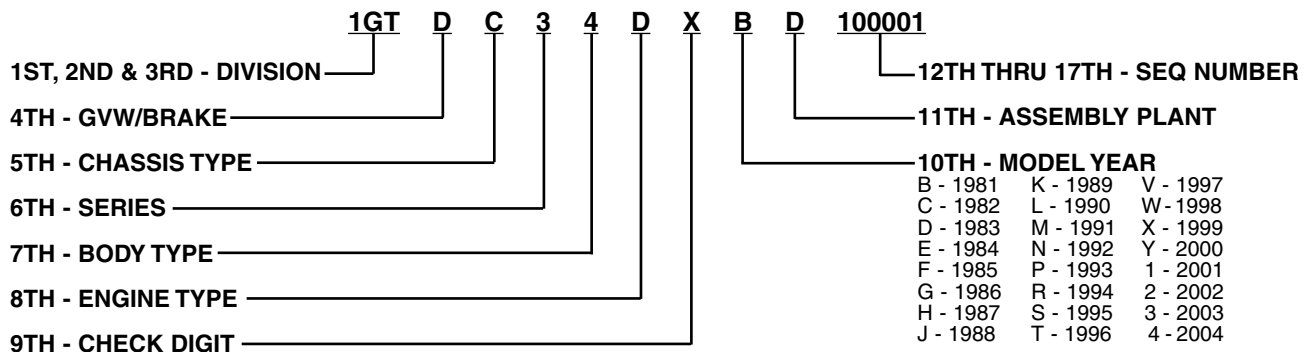
(13 DIGIT NUMBER)



1981-2004

(17 DIGIT NUMBER)

Except 2004 Cadillac SRX

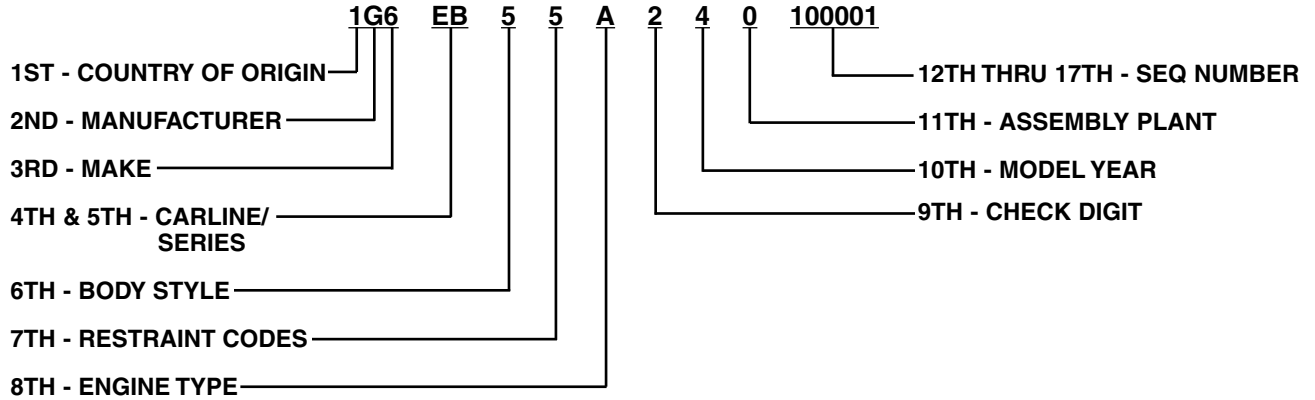


Cont.

2004

(17 DIGIT NUMBER)

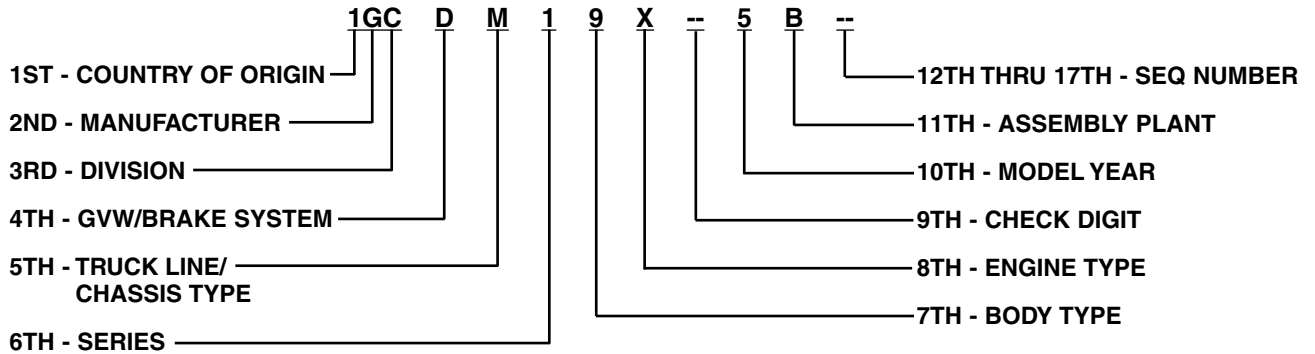
Cadillac SRX



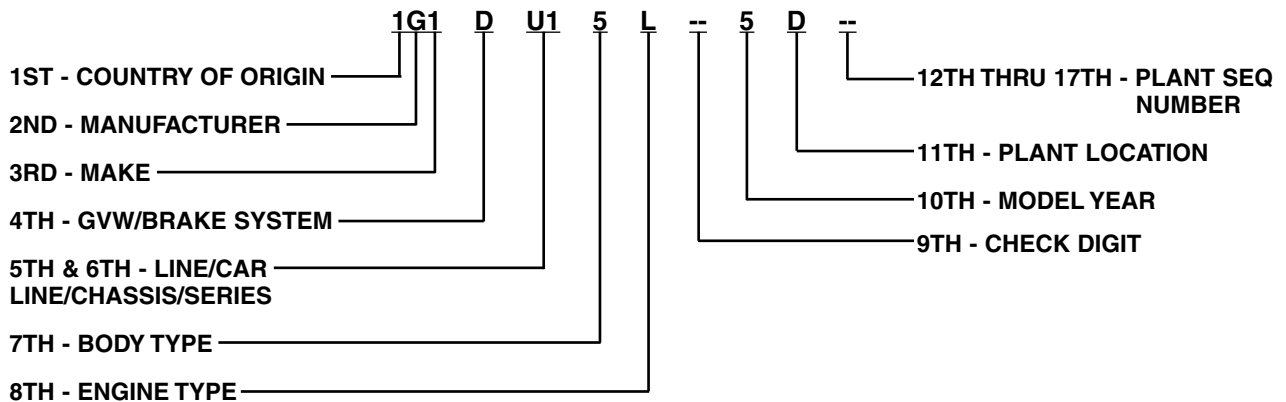
2005 - 2007

(17 DIGIT NUMBER)

ACADIA, ASTRO, AVALANCHE, AZTEK, BLAZER, CAB & CHASSIS SIERRA, CAB & CHASSIS SILVERADO, CANYON, CHEVY EXPRESS, COLORADO, CUTAWAY, ENVOY, ENVOY XL, ENVOY XUV, EQUINOX, ESCALADE, ESCALADE ESV, ESCALADE EXT, HHR, MONTANA, RAINIER, RENDEZVOUS, RV CUTAWAY, SAFARI, SAVANA, SAVANA CAMPER SPECIAL, SAVANA SPECIAL, SIERRA, SIERRA CLASSIC, SRX, SSR, SILVERADO, SILVERADO CLASSIC, SUBURBAN, TAHOE, TRAILBLAZER, UPLANDER, VENTURE, YUKON, YUKON XL



EQUINOX & UPLANDER

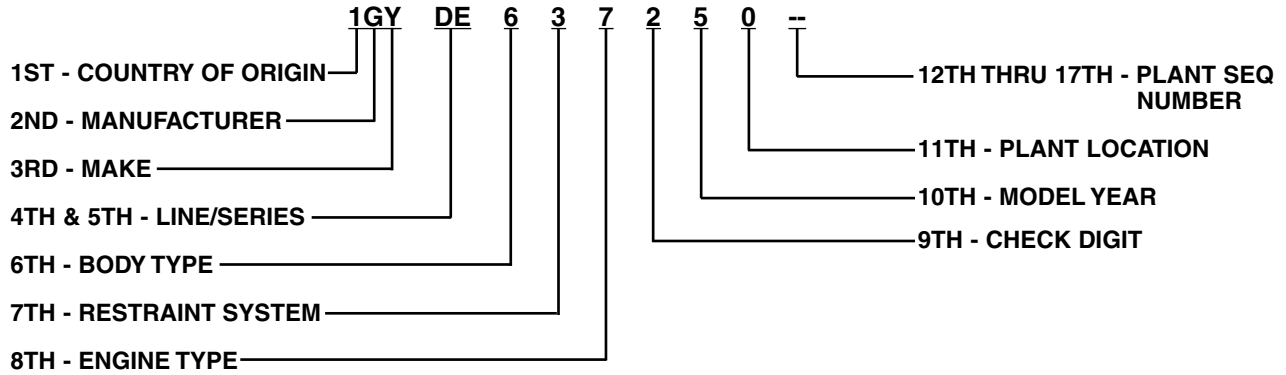


VEHICLE IDENTIFICATION

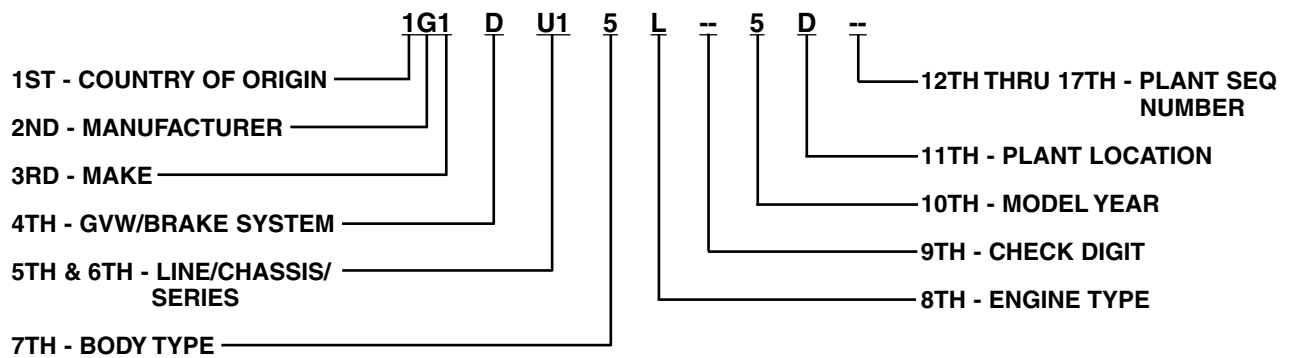
VIN DECODING

GENERAL MOTORS

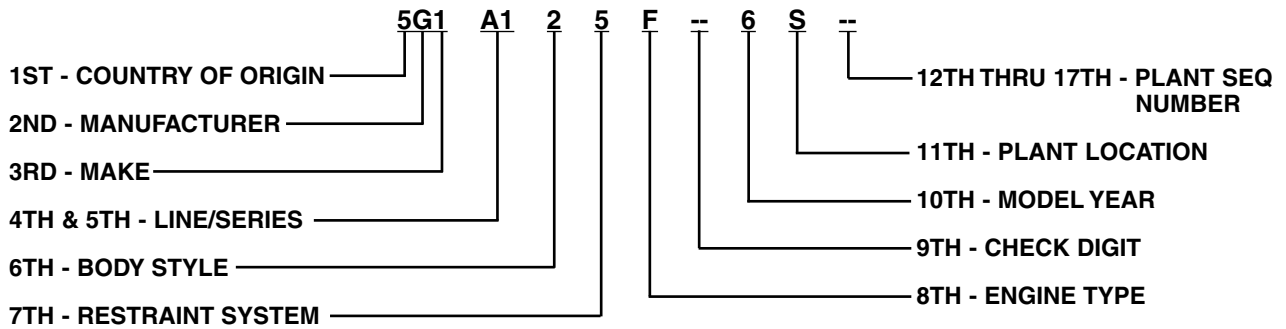
SRX



TERRAZA & MONTANA SV6



HHR



1974-75 CHEVROLET TRUCK

1st Position - DIVISION

C Chevrolet Truck

2nd Position - CHASSIS TYPE

C 4X2
G Van
K 4X4

3rd Position - ENGINE TYPE

L 8-454 4BC (Over 6,000 Lb GVW)
M 8-400 4BC
Q 6-250
T 6-292
V 8-350 2BC
X 8-307
Y 8-350 4BC
Z 8-454 4BC (6,000 Lb GVW and under)

4th Position - SERIES

1 10 Ser
2 20 Ser
3 30 Ser

5th Position - BODY TYPE

2 Chassis - Cowl
3 Chassis - Cab
4 Pickup, Hi-Cube Van
5 Chevy Van, Step Van
6 Suburban, Sport Van
8 Blazer

6th Position - MODEL YEAR

4 1974
5 1975

7th Position - ASSEMBLY PLANT

8th thru 13th Positions - SEQUENCE NUMBER

A sequential number assigned by the manufacturer.

1976 CHEVROLET TRUCK

1st Position - DIVISION

C Chevrolet Truck

2nd Position - CHASSIS TYPE

C 4X2
G Van
K 4X4

3rd Position - ENGINE TYPE

D 6-250
L 8-350 4BC
Q 8-305 2BC
S 8-454 4BC (6,000 Lb GVW and under)
T 6-292
U 8-400 4BC
V 8-350 2BC
Y 8-454 4BC (Over 6,000 Lb GVW)

4th Position - SERIES

1 10 Ser
2 20 Ser
3 30 Ser

5th Position - BODY TYPE

2 Chassis - Cowl
3 Chassis - Cab
4 Pickup, Hi-Cube Van
5 Chevy Van, Step Van
6 Suburban, Sport Van
8 Blazer

1976 CHEVROLET TRUCK (Cont.)**6th Position - MODEL YEAR**

6 1976

7th Position - ASSEMBLY PLANT**8th thru 13th Positions - SEQUENCE NUMBER**

A sequential number assigned by the manufacturer.

1977 CHEVROLET TRUCK**1st Position - DIVISION**

C Chevrolet Truck

2nd Position - CHASSIS TYPEC 4X2
G Van
K 4X4**3rd Position - ENGINE TYPE**D 6-250
L 8-350 4BC
R 8-400 4BC
S 8-454 4BC
T 6-292
U 8-305 2BC**4th Position - SERIES**1 10 Ser
2 20 Ser
3 30 Ser**5th Position - BODY TYPE**2 Chassis - Cowl
3 Chassis Cab
4 Pickup, Hi-Cube Van
5 Chevy Van, Step Van
6 Suburban, Sport Van
8 Blazer**6th Position - MODEL YEAR**

7 1977

7th Position - ASSEMBLY PLANT**8th thru 13th Positions - SEQUENCE NUMBER**

A sequential number assigned by the manufacturer.

1978 CHEVROLET TRUCK**1st Position - DIVISION**

C Chevrolet Truck

2nd Position - CHASSIS TYPEC 4X2
G Van
K 4X4**3rd Position - ENGINE TYPE**D 6-250
L 8-350 4BC
R 8-400 4BC
S 8-454 4BC
T 6-292
U 8-305 2BC
Z 8-350 (Diesel)**4th Position - SERIES**1 10 Ser
2 20 Ser
3 30 Ser**5th Position - BODY TYPE**2 Chassis - Cowl
3 Chassis - Cab
4 Pickup, Hi-Cube Van
5 Chevy Van, Step Van
6 Suburban, Sport Van
8 Blazer**6th Position - MODEL YEAR**

8 1978

7th Position - ASSEMBLY PLANT**8th thru 13th Positions - SEQUENCE NUMBER**

A sequential number assigned by the manufacturer.

1979 CHEVROLET TRUCK**1st Position - DIVISION**

C Chevrolet Truck

2nd Position - CHASSIS TYPEC 4X2
G Van
K 4X4**3rd Position - ENGINE TYPE**D 6-250 2BC
L 8-350 4BCM 8-350 2BC
R 8-400 4BC
S 8-454 4BC
T 6-292 1BC
U 8-305 2BC
Z 8-350 (Diesel)**4th Position - SERIES**1 10 Ser
2 20 Ser
3 30 Ser**5th Position - BODY TYPE**2 Chassis - Cowl, Cut-Away Van
3 Chassis - Cab
4 Pickup, Hi-Cube Van
5 Chevy Van, Step Van
6 Suburban, Sport Van
8 Blazer**6th Position - MODEL YEAR**

9 1979

7th Position - ASSEMBLY PLANT**8th thru 13th Positions - SEQUENCE NUMBER**

A sequential number assigned by the manufacturer.

1980 CHEVROLET TRUCK**1st Position - DIVISION**

C Chevrolet Truck

2nd Position - CHASSIS TYPEC 4X2
G Van
K 4X4**3rd Position - ENGINE TYPE**D 6-250 (4.1) 2BC
G 8-305 (5.0) 2BC
L 8-350 (5.7) 4BC
M 8-350 (5.7) 4BC
P 8-350 (5.7) 2BC
R 8-400 (6.6) 4BC
S 8-454 (7.4) 4BC
T 6-292 (4.8) 1BC
W 8-454 (7.4) 4BC
Z 8-350 (5.7) (Diesel)**4th Position - SERIES**1 10 Ser
2 20 Ser
3 30 Ser**5th Position - BODY TYPE**2 Chassis - Cowl, Cut-Away Van
3 Chassis - Cab
4 Pickup, Hi-Cube Van
5 Chevy Van, Step Van
6 Suburban, Sport Van
8 Blazer**6th Position - MODEL YEAR**

A 1980

7th Position - ASSEMBLY PLANT**8th thru 13th Positions - SEQUENCE NUMBER**

A sequential number assigned by the manufacturer.

1981 CHEVROLET TRUCK**1st, 2nd & 3rd Positions - DIVISION**

IGC Chevrolet Truck

4th Position - GVW/BRAKE SYSTEMB 3,001 - 4,000/Hyd
C 4,001 - 5,000/Hyd
D 5,001 - 6,000/Hyd
E 6,001 - 7,000/Hyd
F 7,001 - 8,000/Hyd
G 8,001 - 9,000/Hyd
H 9,001 - 10,000/Hyd
J 10,001 - 14,000/Hyd
K 14,001 - 16,000**5th Position - CHASSIS TYPE**C 4X2
G Van
K 4X4**6th Position - SERIES**1 10 Ser
2 20 Ser
3 30 Ser**7th Position - BODY TYPE**1 Hi-Cube & Cutaway Van
2 Forward Control3 Four Door Cab
4 Two Door Cab
5 Van
6 Suburban
8 Utility (Blazer)
9 Stake**8th Position - ENGINE TYPE**D 6-250 (4.1) 2BC
F 8-305 (5.0) 4BC
G 8-305 (5.0) 2BC
H 8-305 (5.0) 4BC
L 8-350 (5.7) 4BC
M 8-350 (5.7) 4BC
P 8-350 (5.7) 2BC
T 6-292 (4.8) 1BC
W 8-454 (7.4) 4BC
Z 8-350 (5.7) Diesel**9th Position - CHECK DIGIT****10th Position - MODEL YEAR**

B 1981

11th Position - ASSEMBLY PLANT**12th thru 17th Positions - SEQUENCE NUMBER**

A sequential number assigned by the manufacturer.

1982 CHEVROLET TRUCK**1st, 2nd & 3rd Positions - DIVISION**

IGC Chevrolet Truck

4th Position - GVW/BRAKE SYSTEMB 3,001 - 4,000/Hyd
C 4,001 - 5,000/Hyd
D 5,001 - 6,000/Hyd
E 6,001 - 7,000/Hyd
F 7,001 - 8,000/Hyd
G 8,001 - 9,000/Hyd
H 9,001 - 10,000/Hyd
J 10,001 - 14,000/Hyd
K 14,001 - 16,000**5th Position - CHASSIS TYPE**C 4X2
G Van
K 4X4
S 4X2 (S-10)**6th Position - SERIES**1 1/2 Ton
2 3/4 Ton
3 1 Ton**7th Position - BODY TYPE**1 Hi-Cube & Cutaway Van
2 Forward Control
3 Four Door Cab
4 Two Door Cab
5 Van
6 Suburban
8 Utility (Blazer)
9 Stake**8th Position - ENGINE TYPE**A 4-119 (1.9) 2BC
B 6-173 (2.8) 2BC
C 8-379 (6.2) Diesel
D 6-250 (4.1) 2BC
F 8-305 (5.0) 4BC
H 8-305 (5.0) 4BC
J 8-379 (6.2) Diesel
L 8-350 (5.7) 4BC
M 8-350 (5.7) 4BC
P 8-350 (5.7) 2BC
T 6-292 (4.8) 1BC
W 8-454 (7.4) 4BC**9th Position - CHECK DIGIT****10th Position - MODEL YEAR**

C 1982

11th Position - ASSEMBLY PLANT**12th thru 17th Positions - SEQUENCE NUMBER**

A sequential number assigned by the manufacturer.

VEHICLE IDENTIFICATION

VIN DECODING

GENERAL MOTORS

1983 CHEVROLET TRUCK**1st, 2nd & 3rd Positions - DIVISION**

IGC Chevrolet Truck

4th Position - GVW/BRAKE SYSTEM

B 3,001 - 4,000/Hyd
 C 4,001 - 5,000/Hyd
 D 5,001 - 6,000/Hyd
 E 6,001 - 7,000/Hyd
 F 7,001 - 8,000/Hyd
 G 8,001 - 9,000/Hyd
 H 9,001 - 10,000/Hyd
 J 10,001 - 14,000/Hyd
 K 14,001 - 16,000

5th Position - CHASSIS TYPE

C 4X2
 G Van
 K 4X4
 S 4X2 (S-10)
 T 4X4 (S-10)

6th Position - SERIES

1 1/2 Ton
 2 3/4 Ton
 3 1 Ton

7th Position - BODY TYPE

1 Hi-Cube & Cutaway Van
 2 Forward Control
 3 Four Door Cab
 4 Two Door Cab
 5 Van
 6 Suburban
 8 Utility (Blazer)
 9 Stake

8th Position - ENGINE TYPE

A 4-119 (1.9) 2BC
 B 6-173 (2.8) 2BC
 C 8-379 (6.2) Diesel
 D 6-250 (4.1) 2BC
 F 8-305 (5.0) 4BC
 H 8-305 (5.0) 4BC
 J 8-379 (6.2) Diesel
 L 8-350 (5.7) 4BC
 M 8-350 (5.7) 4BC
 P 8-350 (5.7) 2BC
 T 6-292 (4.8) 1BC
 W 8-454 (7.4) 4BC
 Y 4-121 (2.0) 2BC

9th Position - CHECK DIGIT

D 1983

11th Position - ASSEMBLY PLANT**12th thru 17th Positions - SEQUENCE NUMBER**

A sequential number assigned by the manufacturer.

1984 CHEVROLET TRUCK**1st, 2nd & 3rd Positions - DIVISION**

IGC Chevrolet Truck

4th Position - GVW/BRAKE SYSTEM

B 3,001 - 4,000/Hyd
 C 4,001 - 5,000/Hyd
 D 5,001 - 6,000/Hyd
 E 6,001 - 7,000/Hyd
 F 7,001 - 8,000/Hyd
 G 8,001 - 9,000/Hyd
 H 9,001 - 10,000/Hyd
 J 10,001 - 14,000/Hyd
 K 14,001 - 16,000

5th Position - CHASSIS TYPE

C 4X2
 G Van
 K 4X4
 S 4X2 (S-10)
 T 4X4 (S-10)

6th Position - SERIES

1 1/2 Ton
 2 3/4 Ton
 3 1 Ton

7th Position - BODY TYPE

1 Hi-Cube & Cutaway Van
 2 Forward Control
 3 Four Door Cab
 4 Two Door Cab

5 Van
 6 Suburban
 8 Utility (Blazer)
 9 Stake

8th Position - ENGINE TYPE

A 4-119 (1.9) 2BC
 B 6-173 (2.8) 2BC
 C 8-379 (6.2) Diesel
 D 6-250 (4.1) 2BC
 E 8-350 (5.7) 4BC
 F 8-305 (5.0) 4BC
 H 8-305 (5.0) 4BC
 J 8-379 (6.2) Diesel
 K 8-350 (5.7) 4BC
 L 8-350 (5.7) 4BC
 M 8-350 (5.7) 4BC
 S 4-137 (2.2) Diesel
 T 6-292 (4.8) 1BC
 W 8-454 (7.4) 4BC
 Y 4-121 (2.0) 2BC

9th Position - CHECK DIGIT**10th Position - MODEL YEAR**

E 1984

11th Position - ASSEMBLY PLANT**12th thru 17th Positions - SEQUENCE NUMBER**

A sequential number assigned by the manufacturer.

1985 CHEVROLET TRUCK**1st, 2nd & 3rd Positions - DIVISION**

IGC Chevrolet Truck

4th Position - GVW/BRAKE SYSTEM

B 3,001 - 4,000/Hyd
 C 4,001 - 5,000/Hyd
 D 5,001 - 6,000/Hyd
 E 6,001 - 7,000/Hyd
 F 7,001 - 8,000/Hyd
 G 8,001 - 9,000/Hyd
 H 9,001 - 10,000/Hyd
 J 10,001 - 14,000/Hyd
 K 14,001 - 16,000

5th Position - CHASSIS TYPE

C 4X2
 G Van
 K 4X4
 M Van (Astro)
 S 4X2 (S-10)
 T 4X4 (S-10)

6th Position - SERIES

1 1/2 Ton
 2 3/4 Ton
 3 1 Ton

7th Position - BODY TYPE

1 Hi-Cube & Cutaway Van
 2 Forward Control
 3 Four Door Cab
 4 Two Door Cab
 5 Van
 6 Suburban
 8 Utility (Blazer)
 9 Stake

8th Position - ENGINE TYPE

A 4-119 (1.9) 2BC
 B 6-173 (2.8) 2BC
 C 8-379 (6.2) Diesel
 D 6-250 (4.1) 2BC
 E 4-151 (2.5) TBI
 F 8-305 (5.0) 4BC
 H 8-305 (5.0) 4BC
 J 8-379 (6.2) Diesel
 L 8-350 (5.7) 4BC
 M 8-350 (5.7) 4BC
 N 6-262 (4.3) 2BC
 P 8-350 (5.7) 2BC
 S 4-137 (2.2) Diesel
 T 6-292 (4.8) 1BC
 W 8-454 (7.4) 4BC
 Y 4-121 (2.0) 2BC

9th Position - CHECK DIGIT**10th Position - MODEL YEAR**

F 1985

11th Position - ASSEMBLY PLANT**12th thru 17th Positions - SEQUENCE NUMBER**

A sequential number assigned by the manufacturer.

1986 CHEVROLET TRUCK**1st, 2nd & 3rd Positions - DIVISION**

IGC Chevrolet Truck

4th Position - GVW/BRAKE SYSTEM

B 3,001 - 4,000/Hyd
 C 4,001 - 5,000/Hyd
 D 5,001 - 6,000/Hyd
 E 6,001 - 7,000/Hyd
 F 7,001 - 8,000/Hyd
 G 8,001 - 9,000/Hyd
 H 9,001 - 10,000/Hyd
 J 10,001 - 14,000/Hyd
 K 14,001 - 16,000

5th Position - CHASSIS TYPE

C 4X2
 G Van
 K 4X4
 M Van (Astro)
 S 4X2 (S-10)
 T 4X4 (S-10)

6th Position - SERIES

1 1/2 Ton
 2 3/4 Ton
 3 1 Ton

7th Position - BODY TYPE

1 Hi-Cube & Cutaway Van
 2 Forward Control
 3 Four Door Cab
 4 Two Door Cab
 5 Van
 6 Suburban
 8 Utility (Blazer)
 9 Stake

8th Position - ENGINE TYPE

C 8-379 (6.2) Diesel
 E 4-151 (2.5) TBI
 F 8-305 (5.0) 4BC
 H 8-305 (5.0) 4BC
 J 8-379 (6.2) Diesel
 K 8-350 (5.7) LPG
 L 8-350 (5.7) 4BC
 M 8-350 (5.7) 4BC
 N 6-262 (4.3) 4BC
 R 6-173 (2.8) TBI
 T 6-292 (4.8) 1BC
 W 8-454 (7.4) 4BC
 Z 6-262 (4.3) TBI

9th Position - CHECK DIGIT**10th Position - MODEL YEAR**

G 1986

11th Position - ASSEMBLY PLANT**12th thru 17th Positions - SEQUENCE NUMBER**

A sequential number assigned by the manufacturer.

1987 CHEVROLET TRUCK**1st, 2nd & 3rd Positions - DIVISION**

IGC Chevrolet Truck

4th Position - GVW/BRAKE SYSTEM

B 3,001 - 4,000/Hyd
 C 4,001 - 5,000/Hyd
 D 5,001 - 6,000/Hyd
 E 6,001 - 7,000/Hyd
 F 7,001 - 8,000/Hyd
 G 8,001 - 9,000/Hyd
 H 9,001 - 10,000/Hyd
 J 10,001 - 14,000/Hyd
 K 14,001 - 16,000

5th Position - CHASSIS TYPE

G Van
 M Van (Astro)
 R 4X2
 S 4X2 (S-10)
 T 4X4 (S-10)
 V 4X4

6th Position - SERIES

1 1/2 Ton
 2 3/4 Ton
 3 1 Ton

Cont.

1987 CHEVROLET TRUCK (Cont.)**7th Position - BODY TYPE**

- 1 Hi-Cube & Cutaway Van
- 2 Forward Control
- 3 Four Door Cab
- 4 Two Door Cab
- 5 Van
- 6 Suburban
- 8 Utility (Blazer)
- 9 Stake

8th Position - ENGINE TYPE

- C 8-379 (6.2) Diesel
- E 4-151 (2.5) TBI
- H 8-305 (5.0) 4BC
- J 8-379 (6.2) Diesel
- K 8-350 (5.7) TBI/LPG
- M 8-350 (5.7) 4BC
- N 8-454 (7.4) TBI
- R 6-173 (2.8) TBI
- W 8-454 (7.4) 4BC
- Z 6-262 (4.3) TBI

9th Position - CHECK DIGIT**10th Position - MODEL YEAR**

- H 1987

11th Position - ASSEMBLY PLANT**12th thru 17th Positions - SEQUENCE NUMBER**

A sequential number assigned by the manufacturer.

1988-89 CHEVROLET TRUCK**1st, 2nd & 3rd Positions - DIVISION**

- IGC Chevrolet Truck

4th Position - GVW/BRAKE SYSTEM

- B 3,001 - 4,000/Hyd
- C 4,001 - 5,000/Hyd
- D 5,001 - 6,000/Hyd
- E 6,001 - 7,000/Hyd
- F 7,001 - 8,000/Hyd
- G 8,001 - 9,000/Hyd
- H 9,001 - 10,000/Hyd
- J 10,001 - 14,000/Hyd
- K 14,001 - 16,000

5th Position - CHASSIS TYPE

- A Chevrolet Bus, Van w/ 4th Seat
- B Chevrolet Incomplete
- C Chevrolet Truck
- G Van
- K 4X4
- M Van (Astro)
- N Chevrolet (MVP)
- R 4X2
- S 4X2 (S-10)
- T 4X4 (S-10)
- V 4X4

6th Position - SERIES

- 1 1/2 Ton
- 2 3/4 Ton
- 3 1 Ton

7th Position - BODY TYPE

- 1 Hi-Cube & Cutaway Van
- 2 Forward Control
- 3 Four Door Cab
- 4 Two Door Cab
- 5 Van
- 6 Suburban
- 8 Utility (Blazer)
- 9 Stake

8th Position - ENGINE TYPE

- C 8-379 (6.2) Diesel
- E 4-151 (2.5) TBI
- H 8-305 (5.0) TBI
- J 8-379 (6.2) Diesel
- K 8-350 (5.7) TBI
- M 8-350 (5.7) 4BC
- N 8-454 (7.4) TBI
- R 6-173 (2.8) TBI
- T 6-292 (4.8) 1BC
- W 8-454 (7.4) 4BC
- Z 6-262 (4.3) TBI

9th Position - CHECK DIGIT**10th Position - MODEL YEAR**

- J 1988
- K 1989

11th Position - ASSEMBLY PLANT**12th thru 17th Positions - SEQUENCE NUMBER**

A sequential number assigned by the manufacturer.

1990-77 CHEVROLET TRUCK**1st, 2nd & 3rd Positions - DIVISIONS**

- IGC Chevrolet Truck
- IGN Chevrolet MPV

4th Position - GVW/BRAKE SYSTEM

- A 0,000 - 3,000/Hyd
- B 3,001 - 4,000/Hyd
- C 4,001 - 5,000/Hyd
- D 5,001 - 6,000/Hyd
- E 6,001 - 7,000/Hyd
- F 7,001 - 8,000/Hyd
- G 8,001 - 9,000/Hyd
- H 9,001 - 10,000/Hyd
- J 10,001 - 14,000/Hyd
- K 14,001 - 16,000/Hyd

5th Position - CHASSIS TYPE

- C 4x2 (GMT-400)
- G Van
- K 4x4 (GMT-400)
- L Van (Astro) 4x4
- M Van (Astro) 4x2
- R 4x2
- S 4x2 (S-10)
- T 4x4 (S-10)
- U All Purpose Vehicles (Lumina, Venture)
- V 4x4

6th Position - SERIES

- 0 MPV
- 1 1/2 Ton
- 2 3/4 Ton
- 3 1 Ton

7th Position - BODY TYPE

- 1 Hi-Cube & Cutaway Van
- 2 Forward Control
- 3 Four Door Cab
- 4 Two Door Cab
- 5 Van/Cargo Van
- 6 Suburban/All Purpose Vehicle
- 8 Utility (Blazer)
- 9 Stake

8th Position - ENGINE TYPE

- A 4-151 (2.5) TBI
- B 6-262 (4.3) TBI
- C 8-379 (6.2) Diesel
- D 6-189 (3.1) TBI
- E 4-151 (2.5) TBI
- E 6-207 (3.4) SFI
- F 8-397 (6.5) Turbo Diesel
- H 8-305 (5.0) TBI
- J 8-379 (6.2) Diesel
- J 8-454 (7.4) SFI
- K 8-350 (5.7) TBI
- L 6-231 (3.8) SFI
- M 8-305 (5.0) SFI
- N 8-454 (7.4) TBI
- P 8-395 (6.5) Diesel
- R 6-173 (2.8) TBI
- R 8-350 (5.7) SFI
- S 8-395 (6.5) Turbo Diesel
- T 6-292 (4.8) 1BC
- W 8-454 (7.4) 4BC
- W 6-262 (4.3) CPI
- X 6-262 (4.3) CPI
- Y 8-395 (6.5) Diesel
- Z 6-262 (4.3) TBI
- 4 4-134 (2.2) PFI

9th Position - CHECK DIGIT**10th Position - MODEL YEAR**

- L 1990
- M 1991
- N 1992
- P 1993
- R 1994
- S 1995
- T 1996
- V 1997

11th Position - ASSEMBLY PLANT**12th thru 17th Positions - SEQUENCE NUMBER**

A sequential number assigned by the manufacturer.

1998-99 CHEVROLET TRUCK**1st, 2nd & 3rd Positions - DIVISIONS**

- IGC Chevrolet Truck
- IGN Chevrolet MPV
- JGN Chevrolet Tracker

4th Position - GVW/BRAKE SYSTEM

- B 3,001 - 4,000/Hyd
- C 4,001 - 5,000/Hyd
- D 5,001 - 6,000/Hyd
- E 6,001 - 7,000/Hyd
- F 7,001 - 8,000/Hyd
- G 8,001 - 9,000/Hyd
- H 9,001 - 10,000/Hyd
- J 10,001 - 14,000/Hyd
- K 14,001 - 16,000/Hyd

5th Position - CHASSIS TYPE

- C 4x2
- E 4x4 (Tracker)
- G Van
- J 4x2 (Tracker)
- K 4x4
- L Van (Astro) 4x4
- M Van (Astro) 4x2
- S 4x2 (S-10)
- T 4x4 (S-10)
- U Lumina APV, Venture

6th Position - SERIES

- 0 APV
- 1 1/2 Ton
- 2 3/4 Ton
- 3 1 Ton

7th Position - BODY TYPE

- 1 Hi-Cube & Cutaway Van
- 2 Forward Control
- 3 Four Door Cab
- 4 Two Door Cab
- 5 Van
- 6 Suburban/All Purpose Vehicle
- 8 Utility
- 9 Extended Cab/Van

8th Position - ENGINE TYPE

- C 4-121 (2.0) MFI
- E 6-207 (3.4) MFI
- F 8-397 (6.5) Turbo Diesel
- J 8-454 (7.4) MFI
- M 8-305 (5.0) MFI
- R 8-350 (5.7) MFI
- S 8-395 (6.5) Turbo Diesel
- T 8-323 (5.3) MFI
- U 8-364 (6.0) MFI
- V 8-294 (4.8) MFI
- W 6-262 (4.3) MFI
- X 6-262 (4.3) MFI
- 4 4-134 (2.2) MFI
- 6 4-97 (1.6) MFI

9th Position - CHECK DIGIT**10th Position - MODEL YEAR**

- W 1998 X 1999

11th Position - ASSEMBLY PLANT**12th thru 17th Positions - SEQUENCE NUMBER**

A sequential number assigned by the manufacturer.

2000-04 CHEVROLET TRUCK**1st, 2nd & 3rd Positions - DIVISIONS**

- IGC Chevrolet Truck
- IGN Chevrolet MPV
- 2CN Chevrolet Tracker

4th Position - GVW/BRAKE SYSTEM

- B 3,001 - 4,000/Hyd
- C 4,001 - 5,000/Hyd
- D 5,001 - 6,000/Hyd
- E 6,001 - 7,000/Hyd
- F 7,001 - 8,000/Hyd
- G 8,001 - 9,000/Hyd
- H 9,001 - 10,000/Hyd
- J 10,001 - 14,000/Hyd
- K 14,001 - 16,000/Hyd

VEHICLE IDENTIFICATION

VIN DECODING

GENERAL MOTORS

**2000-04 CHEVROLET TRUCK
(Cont.)****5th Position - CHASSIS TYPE**

C 4x2
E 4x4 (Tracker)
G Van
J 4x2 (Tracker)
K 4x4
L Van (Astro) 4x4
M Van (Astro) 4x2
S 4x2 (S-10, Blazer, TrailBlazer SSR, Colorado)
T 4x4 (S-10, Blazer, TrailBlazer, Colorado)
U APV (Venture)

6th Position - SERIES

0 APV
1 1/2 Ton
2 3/4 Ton
3 1 Ton
6 1/2 Ton Luxury
7 3/4 Ton Luxury
8 1 Ton Luxury

7th Position - BODY TYPE

1 Hi-Cube & Cutaway Van
2 Forward Control
3 Four Door Cab/Utility
4 Two Door Cab
5 Van
6 Suburban/All Purpose Vehicle
8 Utility
9 Extended Cab/Van

8th Position - ENGINE TYPE

C 4-121 (2.0) MFI
E 6-207 (3.4) MFI
F 8-397 (6.5) Turbo Diesel
G 8-496 (8.1) MFI
H 6-152 (2.5) MFI
J 8-454 (7.4) MFI
M 8-305 (5.0) MFI
N 8-365 (6.0) MFI
P 8-325 (5.3) MFI
R 8-350 (5.7) MFI
S 6-254 (4.2) MFI
T 8-323 (5.3) MFI
U 8-364 (6.0) MFI
V 8-294 (4.8) MFI
W 6-262 (4.3) MFI
X 6-262 (4.3) MFI
Z 8-325 (5.3) MFI
1 8-403 (6.6) Turbo Diesel
2 8-403 (6.6) Turbo Diesel
4 4-134 (2.2) MFI
4 6-152 (2.5) MFI
5 4-262 (2.2) MFI
6 4-97 (1.6) MFI
6 5-211 (3.5) MFI
8 4-169 (2.8) MFI

9th Position - CHECK DIGIT

10th Position - MODEL YEAR
Y - 2000 2 - 2002 4 - 2004
1 - 2001 3 - 2003

11th Position - ASSEMBLY PLANT

12th thru 17th Positions - SEQUENCE NUMBER
A sequential number assigned by the manufacturer.

**2005-2007 CHEVROLET TRUCK
(except Equinox, HHR & Uplander)****1st Position - Country of Origin**

1 USA
1,4 USA (Blazer)

2nd Position - MANUFACTURER

G General Motors

3rd Position - DIVISION

B Chevrolet Incomplete
C Chevrolet Truck
D GMC Incomplete
K GMC MPV
M Pontiac
N Chevrolet MPV
T GMC Truck

4th Position - GVWR/BRAKE SYSTEM

B 3,001 - 4,000/Hyd
C 4,001 - 5,000/Hyd
D 5,001 - 6,000/Hyd
E 6,001 - 7,000/Hyd
F 7,001 - 8,000/Hyd
G 8,001 - 9,000/Hyd
H 9,001 - 10,000/Hyd
J 10,001 - 14,000/Hyd
K 14,001 - 16,000/Hyd
1 2,994 - 6,500/Hyd
3,175 - 7,000/Hyd
3,901 - 8,600/Hyd

5th Position - TRUCK LINE/CHASSIS TYPE

C 4x2
G Van 4x2, Chevrolet Express, GMC Savana
K 4x4
L Small Van - AWD
M Small Van - 4x2
S Small Conventional Cab 4x2
T Small Conventional Cab 4x4
U0 Chevrolet Venture APV 4x2
U1 Chevrolet Venture APV 4x2 Luxury
U2 Chevrolet Venture APV 4x2 Economy
V0 Chevrolet Venture APV 4x4
V1 Chevrolet Venture APV 4x4 Luxury
V2 Chevrolet Venture APV 4x4 Economy
X0 Chevrolet Venture APV 4x2 EXT W/B
X1 Chevrolet Venture APV 4x2 EXT W/B
Luxury EXT W/B
X2 Chevrolet Venture APV 4x2 EXT W/B

6th Position - SERIES

0 Base (Venture)
1 Luxury (Venture)
2 Economy (Venture)
1 1/2 Ton Nominal
1 1/2 Ton
2 3/4 Ton Nominal
3 1 Ton Nominal
6 1/2 Ton Luxury
7 3/4 Ton Luxury
8 1 Ton Luxury

7th Position - BODY TYPE

1 Hi-Cube or Cutaway Van
2 Sport Utility Truck (Avalanche, Escalade EXT, Escalade EXT Platinum)
3 4 Dr Utility or Crew Cab
3 GMT 305, GMT 360
4 2 Dr Cab
5 Van
6 GMT 370 (TrailBlazer) '06
7 GMT 370
8 2 Dr Utility
9 Extended Van/Cab

8th Position - ENGINE TYPE

B 5.3 L V8 SFI Alum. HO (L33)
E 3.4 L V6 SFI RPO LA1 HO Engine Gas
G 8.1 L V8 MFI (L18)
H 6.0 L V8
H 6.0 L V8 (LS2)
J 5.3 L V8 MFI (LYS)
J 5.3 L V8 w/DoD
M 5.3 L V8 SFI (LH6)
N 6.0 L V8 MFI (LQ9)
P 5.3 L V8 SFI (LM4) GM
S 4.2 L L6 MFI (LL8) GM
T 5.3 L V8 MFI (LM7)
T 5.3 L V8 MFI (LQ4) (Chevy Express) '06
T 5.3 L V8 MFI Iron (LQ4) (Chevy Express) '07
U 6.0 L V8 MFI (LQ4)
U 6.0 L V8 MFI (LM7) (Chevy Express) '06
U 5.3 L V8 MFI Iron (LM7) (Chevy Express) '07
V 4.8 L V8 MFI (LR4)
W 4.3 L V6 MFI (LU3)
W 6.6 L V8 90° (LLY) '06-'07
X 4.3 L V6 EFI (LU3)
X 4.3 L V6 MFI Iron (LU3)
Z 5.3 L V8 MFI (L59)
0 5.3 L V8 MFI (LMG)
0 5.3 L V8 Flexible Fuel w/DoD - Iron
2 6.6 L V8 DSL (LLY)
3 5.3 L V8 MFI (LC9)
3 5.3 L V8 Flexible Fuel, SFI w/DoD
- Aluminum Block
6 3.5 L 5 Cyl MFI (L52) LS Alum. DOHC (Colorado)

8 2.8 L L4 MFI (LK5) (Colorado)
-- 3.0 L 4 Cyl MFI VVT DOHC
-- 3.7 L I5 MFI VVT DOHC

9th Position - CHECK DIGIT**10th Position - MODEL YEAR**

5 - 2005 6 - 2006 7 - 2007

11th Position - PLANT LOCATION

12th thru 17th Positions - SEQUENCE NUMBER
A sequential number assigned by the manufacturer.

Equinox & Uplander**1st Position - Country of Origin**

1 USA (Uplander)
2 Canada (Equinox)

2nd Position - MANUFACTURER

C CAMI (Equinox)
G General Motors (Uplander)

3rd Position - DIVISION

1 Chevrolet

4th Position - GVWR/BRAKE SYSTEM

-- 5,070/Hyd
D 5,001 - 6,000/Hyd

5th & 6th Position - LINE/CHASSIS/SERIES

1LF FWD 6Cyl Automatic (Equinox)
1LG AWD 6Cyl Automatic (Equinox)
U0 Chevrolet Uplander APV 4x2 RWB (1/2 Ton) Base
U1 Chevrolet Reg Wheelbase Front Wheel Drive (Uplander)
U1 Chevrolet Ext Wheelbase Front Wheel Drive (Uplander)
U2 Chevrolet Uplander LS APV 4x2 RWB (1/2 Ton)
U3 Chevrolet Uplander LT APV 4x2 RWB (1/2 Ton)
V0 Chevrolet Uplander APV 4x2 EWB (1/2 Ton)
V1 Chevrolet Uplander Cargo APV EWB (1/2 Ton)
V2 Chevrolet Uplander LS APV 4x2 EWB (1/2 Ton)
V3 Chevrolet Uplander LT APV 4x2 EWB (1/2 Ton)
X1 Chevrolet Ext Wheelbase All Wheel Drive (Uplander)
X3 Chevrolet Uplander AWD LT APV (1/2 Ton)

7th Position - BODY TYPE

3 4 Dr Cab/Utility
5 Van

8th Position - ENGINE TYPE

F 3.4 L V6 SFI Degree V (RPO LNJ)
L 3.5 L 6 Cyl SFI V6 (LX9)
1 3.9 L V6 (LZ9)

9th Position - CHECK DIGIT**10th Position - MODEL YEAR**

5 - 2005 6 - 2006 7 - 2007

11th Position - PLANT LOCATION

12th thru 17th Positions - SEQUENCE NUMBER
A sequential number assigned by the manufacturer.

HHR**1st Position - Country of Origin**

3 Mexico
5 USA

2nd Position - MANUFACTURER

G General Motors

3rd Position - MAKE

1 Chevrolet

4th & 5th Positions - LINE/SERIES

A1 LHD FWD LS
A2 LHD FWD Sport/LT
X2 Chevrolet Venture APV 4x2 EXT W/B

6th Position - BODY STYLE

2 5 Dr MPV

7th Position - RESTRAINT SYSTEM

5 Manual Belts w/ Dual Front & Side Air Bags

8th Position - ENGINE TYPE

B 2.4 L I4 MFI DOHC HD Alum Ecote (LS5)
F 2.2 L I4 MFI DOHC Alum (L61)

9th Position - CHECK DIGIT**10th Position - MODEL YEAR**

6 - 2006 7 - 2007

11th Position - PLANT LOCATION

12th thru 17th Positions - SEQUENCE NUMBER
A sequential number assigned by the manufacturer.

Cont.

1974-75 GMC TRUCK**1st Position - DIVISION**

T GMC Truck

2nd Position - CHASSIS TYPEC 4X2
G Van
K 4X4**3rd Position - ENGINE TYPE**L 8-454 4BC (Over 6,000 Lb GVW)
M 8-400 4BC
Q 6-250
T 6-292
V 8-350 2BC
X 8-307
Y 8-350 4BC
Z 8-454 4BC (6,000 Lb GVW and under)**4th Position - SERIES**1 15 Ser
2 25 Ser
3 35 Ser**5th Position - BODY TYPE**2 Chassis - Cowl
3 Chassis - Cab
4 Pickup, Hi-Cube Van
5 GMC Van, Step Van
6 Suburban, Sport Van
8 Jimmy**6th Position - MODEL YEAR**4 1974
5 1975**7th Position - ASSEMBLY PLANT****8th thru 13th Positions - SEQUENCE NUMBER**

A sequential number assigned by the manufacturer.

1976 GMC TRUCK**1st Position - DIVISION**

T GMC

2nd Position - CHASSIS TYPEC 4X2
G Van
K 4X4**3rd Position - ENGINE TYPE**D 6-250
L 8-350 4BC
Q 8-305 2BC
S 8-454 4BC (6,000 Lb GVW and under)
T 6-292
U 8-400 4BC
V 8-350 2BC
Y 8-454 4BC (Over 6,000 Lb GVW)**4th Position - SERIES**1 15 Ser
2 25 Ser
3 35 Ser**5th Position - BODY TYPE**2 Chassis - Cowl
3 Chassis - Cab
4 Pickup, Hi-Cube Van
5 GMC Van, Step Van
6 Suburban, Sport Van
8 Jimmy**6th Position - MODEL YEAR**

6 1976

7th Position - ASSEMBLY PLANT**8th thru 13th Positions - SEQUENCE NUMBER**

A sequential number assigned by the manufacturer.

1977 GMC TRUCK**1st Position - DIVISION**

T GMC Truck

2nd Position - CHASSIS TYPEC 4X2
G Van
K 4X4**3rd Position - ENGINE TYPE**D 6-250
L 8-350 4BC
R 8-400 4BC
S 8-454 4BC (exc Motor Home)
T 6-292
U 8-305 2BC
Y 8-454 4BC (Motor Home)**4th Position - SERIES**1 15 Ser
2 25 Ser
3 35 Ser**5th Position - BODY TYPE**2 Chassis - Cowl
3 Chassis - Cab
4 Pickup, Hi-Cube Van
5 GMC Van, Step Van
6 Suburban, Sport Van
8 Jimmy**6th Position - MODEL YEAR**

7 1977

7th Position - ASSEMBLY PLANT**8th thru 13th Positions - SEQUENCE NUMBER**

A sequential number assigned by the manufacturer.

1978 GMC TRUCK**1st Position - DIVISION**

T GMC Truck

2nd Position - CHASSIS TYPEC 4X2
G Van
K 4X4**3rd Position - ENGINE TYPE**D 6-250
L 8-350 4BC
R 8-400 4BC
S 8-454 4BC
T 6-292
U 8-305 2BC
Z 8-350 (Diesel)**4th Position - SERIES**1 15 Ser
2 25 Ser
3 35 Ser**5th Position - BODY TYPE**2 Chassis - Cowl
3 Chassis - Cab
4 Pickup, Hi-Cube Van
5 GMC Van, Step Van
6 Suburban, Sport Van
8 Jimmy**6th Position - MODEL YEAR**

8 1978

7th Position - ASSEMBLY PLANT**8th thru 13th Positions - SEQUENCE NUMBER**

A sequential number assigned by the manufacturer.

1979 GMC TRUCK**1st Position - DIVISION**

T GMC Truck

2nd Position - CHASSIS TYPEC 4X2
G Van
K 4X4**3rd Position - ENGINE TYPE**D 6-250 2BC
L 8-350 4BC
M 8-350 2BC
R 8-400 4BC
S 8-454 4BC
T 6-292 1BC
U 8-305 2BC
Z 8-350 (Diesel)**4th Position - SERIES**1 15 Ser
2 25 Ser
3 35 Ser
4 15 Ser (Heavy Duty)**5th Position - BODY TYPE**2 Chassis - Cowl, Cut-Away Van
3 Chassis - Cab
4 Pickup, Hi-Cube Van
5 Chevy Van, Step Van
6 Suburban, Sport Van
8 Jimmy**6th Position - MODEL YEAR**

9 1979

7th Position - ASSEMBLY PLANT**8th thru 13th Positions - SEQUENCE NUMBER**

A sequential number assigned by the manufacturer.

1980 GMC TRUCK**1st Position - DIVISION**

T GMC Truck

2nd Position - CHASSIS TYPEC 4X2
G Van
K 4X4**3rd Position - ENGINE TYPE**D 6-250 (4.1) 2BC
G 8-305 (5.0) 2BC
L 8-350 (5.7) 4BC
M 8-350 (5.7) 4BC
P 8-350 (5.7) 2BC
R 8-400 (6.6) 4BC
S 8-454 (7.4) 4BC
T 6-292 (4.8) 1BC
W 8-454 (7.4) 4BC
Z 8-350 (5.7) (Diesel)**4th Position - SERIES**1 15 Ser
2 25 Ser
3 35 Ser
4 15 Ser (Heavy Duty)**5th Position - BODY TYPE**2 Chassis - Cowl, Cut-Away Van
3 Chassis - Cab
4 Pickup, Hi-Cube Van
5 Chevy Van, Step Van
6 Suburban, Sport Van
8 Jimmy**6th Position - MODEL YEAR**

A 1980

7th Position - ASSEMBLY PLANT**8th thru 13th Positions - SEQUENCE NUMBER**

A sequential number assigned by the manufacturer.

1981 GMC TRUCK**1st, 2nd & 3rd Positions - DIVISION**

1GT GMC Truck

4th Position - GVW/BRAKE SYSTEMB 3,001 - 4,000/Hyd
C 4,001 - 5,000/Hyd
D 5,001 - 6,000/Hyd
E 6,001 - 7,000/Hyd
F 7,001 - 8,000/Hyd
G 8,001 - 9,000/Hyd
H 9,001 - 10,000/Hyd
J 10,001 - 14,000/Hyd**5th Position - CHASSIS TYPE**C 4X2
G Van
K 4X4**6th Position - SERIES**1 15 Ser
2 25 Ser
3 35 Ser**7th Position - BODY TYPE**1 Hi-Cube & Cutaway Van
3 Four Door Cab
4 Two Door Cab
5 Van
6 Suburban
8 Utility (Jimmy)
9 Stake**8th Position - ENGINE TYPE**D 6-250 (4.1) 2BC
F 8-305 (5.0) 4BC
G 8-305 (5.0) 2BC
H 8-350 (5.0) 4BC
L 8-350 (5.7) 4BC
M 8-350 (5.7) 4BC
P 8-350 (5.7) 2BC
T 6-292 (4.8) 1BC
W 8-454 (7.4) 4BC
Z 8-350 (5.7) Diesel**9th Position - CHECK DIGIT**

VEHICLE IDENTIFICATION

VIN DECODING

GENERAL MOTORS

1981 GMC TRUCK (Cont.)**10th Position - MODEL YEAR**

B 1981

11th Position - ASSEMBLY PLANT**12th thru 17th Positions - SEQUENCE NUMBER**

A sequential number assigned by the manufacturer.

1982 GMC TRUCK**1st, 2nd & 3rd Positions - DIVISION**

1GT GMC Truck

4th Position - GVW/BRAKE SYSTEMB 3,001 - 4,000/Hyd
C 4,001 - 5,000/Hyd
D 5,001 - 6,000/Hyd
E 6,001 - 7,000/Hyd
F 7,001 - 8,000/Hyd
G 8,001 - 9,000/Hyd
H 9,001 - 10,000/Hyd
J 10,001 - 14,000/Hyd
K 14,001 - 16,000**5th Position - CHASSIS TYPE**C 4X2
G Van
K 4X4
S 4X2 (S-15)**6th Position - SERIES**1 1/2 Ton
2 3/4 Ton
3 1 Ton**7th Position - BODY TYPE**1 Hi-Cube & Cutaway Van
2 Forward Control
3 Four Door Cab
4 Two Door Cab
5 Van
6 Suburban
8 Utility (Jimmy)
9 Stake**8th Position - ENGINE TYPE**A 4-119 (1.9) 2BC
B 6-173 (2.8) 2BC
C 8-379 (6.2) Diesel
D 6-250 (4.1) 2BC
F 8-305 (5.0) 4BC
H 8-305 (5.0) 4BC
J 8-379 (6.2) Diesel
L 8-350 (5.7) 4BC
M 8-350 (5.7) 4BC
P 8-350 (5.7) 2BC
T 6-292 (4.8) 1BC
W 8-454 (7.4) 4BC**9th Position - CHECK DIGIT****10th Position - MODEL YEAR**

C 1982

11th Position - ASSEMBLY PLANT**12th thru 17th Positions - SEQUENCE NUMBER**

A sequential number assigned by the manufacturer.

1983 GMC TRUCK**1st, 2nd & 3rd Positions - DIVISION**

1GT GMC Truck

4th Position - GVW/BRAKE SYSTEMB 3,001 - 4,000/Hyd
C 4,001 - 5,000/Hyd
D 5,001 - 6,000/Hyd
E 6,001 - 7,000/Hyd
F 7,001 - 8,000/Hyd
G 8,001 - 9,000/Hyd
H 9,001 - 10,000/Hyd
J 10,001 - 14,000/Hyd
K 14,001 - 16,000**5th Position - CHASSIS TYPE**C 4X2
G Van
K 4X4
S 4X2 (S-15)
T 4X4 (S-15)**6th Position - SERIES**1 1/2 Ton
2 3/4 Ton
3 1 Ton**7th Position - BODY TYPE**1 Hi-Cube & Cutaway Van
2 Forward Control
3 Four Door Cab
4 Two Door Cab
5 Van
6 Suburban
8 Utility (Jimmy)
9 Stake**8th Position - ENGINE TYPE**A 4-119 (1.9) 2BC
B 6-173 (2.8) 2BC
C 8-379 (6.2) Diesel
D 6-250 (4.1) 2BC
F 8-305 (5.0) 4BC
H 8-305 (5.0) 4BC
J 8-379 (6.2) Diesel
L 8-350 (5.7) 4BC
M 8-350 (5.7) 4BC
P 8-350 (5.7) 2BC
T 6-292 (4.8) 1BC
W 8-454 (7.4) 4BC
Y 4-121 (2.0) 2BC**9th Position - CHECK DIGIT****10th Position - MODEL YEAR**

D 1983

11th Position - ASSEMBLY PLANT**12th thru 17th Positions - SEQUENCE NUMBER**

A sequential number assigned by the manufacturer.

1984 GMC TRUCK**1st, 2nd & 3rd Positions - DIVISION**

1GT GMC Truck

4th Position - GVW/BRAKE SYSTEMB 3,001 - 4,000/Hyd
C 4,001 - 5,000/Hyd
D 5,001 - 6,000/Hyd
E 6,001 - 7,000/Hyd
F 7,001 - 8,000/Hyd
G 8,001 - 9,000/Hyd
H 9,001 - 10,000/Hyd
J 10,001 - 14,000/Hyd
K 14,001 - 16,000**5th Position - CHASSIS TYPE**C 4X2
G Van
K 4X4
S 4X2 (S-15)
T 4X4 (S-15)**6th Position - SERIES**1 1/2 Ton
2 3/4 Ton
3 1 Ton**7th Position - BODY TYPE**1 Hi-Cube & Cutaway Van
2 Forward Control
3 Four Door Cab
4 Two Door Cab
5 Van
6 Suburban
8 Utility (Jimmy)
9 Stake**8th Position - ENGINE TYPE**A 4-119 (1.9) 2BC
B 6-173 (2.8) 2BC
C 8-379 (6.2) Diesel
D 6-250 (4.1) 2BC
E 8-350 (5.7) 4BC
F 8-305 (5.0) 4BC
H 8-305 (5.0) 4BC
J 8-379 (6.2) Diesel
K 8-350 (5.7) 4BC
L 8-350 (5.7) 4BC
M 8-350 (5.7) 4BC
S 4-137 (2.2) Diesel
T 6-292 (4.8) 1BC
W 8-454 (7.4) 4BC
Y 4-121 (2.0) 2BC**9th Position - CHECK DIGIT****10th Position - MODEL YEAR**

E 1984

11th Position - ASSEMBLY PLANT**12th thru 17th Positions - SEQUENCE NUMBER**

A sequential number assigned by the manufacturer.

1985 GMC TRUCK**1st, 2nd & 3rd Positions - DIVISION**

1GT GMC Truck

4th Position - GVW/BRAKE SYSTEMB 3,001 - 4,000/Hyd
C 4,001 - 5,000/Hyd
D 5,001 - 6,000/Hyd
E 6,001 - 7,000/Hyd
F 7,001 - 8,000/Hyd
G 8,001 - 9,000/Hyd
H 9,001 - 10,000/Hyd
J 10,001 - 14,000/Hyd**5th Position - CHASSIS TYPE**C 4X2
G Van
K 4X4
M Van (Safari)
S 4X2 (S-15)
T 4X4 (S-15)**6th Position - SERIES**1 1/2 Ton
2 3/4 Ton
3 1 Ton**7th Position - BODY TYPE**1 Hi-Cube & Cutaway Van
3 Four Door Cab
4 Two Door Cab
5 Van
6 Suburban
8 Utility (Jimmy)
9 Stake**8th Position - ENGINE TYPE**A 4-119 (1.9) 2BC
B 6-173 (2.8) 2BC
C 8-379 (6.2) Diesel
D 6-250 (4.1) 2BC
E 4-151 (2.5) TBI
F 8-305 (5.0) 4BC
H 8-305 (5.0) 4BC
J 8-379 (6.2) Diesel
L 8-350 (5.7) 4BC
M 8-350 (5.7) 4BC
N 6-262 (4.3) 2BC
P 8-350 (5.7) 2BC
S 4-137 (2.2) Diesel
T 6-292 (4.8) 1BC
W 8-454 (7.4) 4BC
Y 4-121 (2.0) 2BC**9th Position - CHECK DIGIT****10th Position - MODEL YEAR**

F 1985

11th Position - ASSEMBLY PLANT**12th thru 17th Positions - SEQUENCE NUMBER**

A sequential number assigned by the manufacturer.

1986 GMC TRUCK**1st, 2nd & 3rd Positions - DIVISION**

1GT GMC Truck

4th Position - GVW/BRAKE SYSTEMB 3,001 - 4,000/Hyd
C 4,001 - 5,000/Hyd
D 5,001 - 6,000/Hyd
E 6,001 - 7,000/Hyd
F 7,001 - 8,000/Hyd
G 8,001 - 9,000/Hyd
H 9,001 - 10,000/Hyd
J 10,001 - 14,000/Hyd**5th Position - CHASSIS TYPE**C 4X2
G Van
K 4X4
M Van (Safari)
S 4X2 (S-15)
T 4X4 (S-15)**6th Position - SERIES**1 1/2 Ton
2 3/4 Ton
3 1 Ton

Cont.

1986 GMC TRUCK (Cont.)**7th Position - BODY TYPE**

1 Hi-Cube & Cutaway Van
 3 Four Door Cab
 4 Two Door Cab
 5 Van
 6 Suburban
 8 Utility (Jimmy)
 9 Stake

8th Position - ENGINE TYPE

C 8-379 (6.2) Diesel
 E 4-151 (2.5) TBI
 F 8-305 (5.0) 4BC
 H 8-305 (5.0) 4BC
 J 8-379 (6.2) Diesel
 K 8-350 (5.7) LPG
 L 8-350 (5.7) 4BC
 M 8-350 (5.7) 4BC
 N 6-262 (4.3) 4BC
 R 6-173 (2.8) TBI
 T 6-292 (4.8) 1BC
 W 8-454 (7.4) 4BC
 Z 6-262 (4.3) TBI

9th Position - CHECK DIGIT**10th Position - MODEL YEAR**

G 1986

11th Position - ASSEMBLY PLANT**12th thru 17th Positions - SEQUENCE NUMBER**

A sequential number assigned by the manufacturer.

1987 GMC TRUCK**1st, 2nd & 3rd Positions - DIVISION**

1GT GMC Truck

4th Position - GVW/BRAKE SYSTEM

B 3,001 - 4,000/Hyd
 C 4,001 - 5,000/Hyd
 D 5,001 - 6,000/Hyd
 E 6,001 - 7,000/Hyd
 F 7,001 - 8,000/Hyd
 G 8,001 - 9,000/Hyd
 H 9,001 - 10,000/Hyd
 J 10,001 - 14,000/Hyd

5th Position - CHASSIS TYPE

G Van
 M Van (Safari)
 R 4X2
 S 4X2 (S-15)
 T 4X4 (S-15)
 V 4X4

6th Position - SERIES

1 1/2 Ton
 2 3/4 Ton
 3 1 Ton

7th Position - BODY TYPE

1 Hi-Cube & Cutaway Van
 3 Four Door Cab
 4 Two Door Cab
 5 Van
 6 Suburban
 8 Utility (Jimmy)
 9 Stake

8th Position - ENGINE TYPE

C 8-379 (6.2) Diesel
 E 4-151 (2.5) TBI
 H 8-305 (5.0) 4BC
 J 8-379 (6.2) Diesel
 K 8-350 (5.7) TBI/LPG
 M 8-350 (5.7) 4BC
 N 8-454 (7.4) TBI
 R 6-173 (2.8) TBI
 W 8-454 (7.4) 4BC
 Z 6-262 (4.3) TBI

9th Position - CHECK DIGIT**10th Position - MODEL YEAR**

H 1987

11th Position - ASSEMBLY PLANT**12th thru 17th Positions - SEQUENCE NUMBER**

A sequential number assigned by the manufacturer.

1988-89 GMC TRUCK**1st, 2nd & 3rd Positions - DIVISION**

1GT GMC Truck

4th Position - GVW/BRAKE SYSTEM

B 3,001 - 4,000/Hyd
 C 4,001 - 5,000/Hyd
 D 5,001 - 6,000/Hyd
 E 6,001 - 7,000/Hyd
 F 7,001 - 8,000/Hyd
 G 8,001 - 9,000/Hyd
 H 9,001 - 10,000/Hyd
 J 10,001 - 14,000/Hyd

5th Position - CHASSIS TYPE

C 4X2 (GMT-400)
 D GMC Incomplete
 G Van
 J GMC Bus
 K 4X4 (GMT-400), GMC MPV
 M Van (Safari)
 R 4X2
 S 4X2 (S-15)
 T 4X4 (S-15), GM Truck
 V 4X4

6th Position - SERIES

1 1/2 Ton
 2 3/4 Ton
 3 1 Ton

7th Position - BODY TYPE

1 Hi-Cube & Cutaway Van
 3 Four Door Cab
 4 Two Door Cab
 5 Van
 6 Suburban
 8 Utility (Jimmy)
 9 Stake

8th Position - ENGINE TYPE

C 8-379 (6.2) Diesel
 E 4-151 (2.5) TBI
 H 8-305 (5.0) TBI
 J 8-379 (6.2) Diesel
 K 8-350 (5.7) TBI
 M 8-350 (5.7) 4BC
 N 8-454 (7.4) TBI
 R 6-173 (2.8) TBI
 T 6-292 (4.8) 1BC
 W 8-454 (7.4) 4BC
 Z 6-262 (4.3) TBI

9th Position - CHECK DIGIT**10th Position - MODEL YEAR**

J 1988
 K 1989

11th Position - ASSEMBLY PLANT**12th thru 17th Positions - SEQUENCE NUMBER**

A sequential number assigned by the manufacturer.

1990-98 GMC/OLDS/PONT**1st, 2nd & 3rd Positions - DIVISION**

1GH Oldsmobile MPV
 1GM Pontiac MPV
 1GT GMC Truck

4th Position - GVW/BRAKE SYSTEM

A 1,000 - 3,000/Hyd
 B 3,001 - 4,000/Hyd
 C 4,001 - 5,000/Hyd
 D 5,001 - 6,000/Hyd
 E 6,001 - 7,000/Hyd
 F 7,001 - 8,000/Hyd
 G 8,001 - 9,000/Hyd
 H 9,001 - 10,000/Hyd
 J 10,001 - 14,000/Hyd
 K 14,001 - 16,000/Hyd

5th Position - CHASSIS TYPE

C 4x2 (GMT-400)
 G Van
 K 4x4 (GMT-400)
 L Van (Safari 4x4)
 M Van (Safari 4x2)
 R 4x2
 S 4x2
 Jimmy
 Sonoma
 S-15 (90-93)

T 4x4
 Bravada
 Envoy
 Jimmy
 Sonoma
 S-15 (90-93)

U All Purpose Vehicle (Silhouette,
 Trans Sport)

V 4x4

6th Position - SERIES

0 MPV
 1 1/2 Ton
 2 3/4 Ton
 3 1 Ton

7th Position - BODY TYPE

1 Hi-Cube & Cutaway Van
 3 Four Door Cab
 4 Two Door Cab
 5 Van/Cargo Van
 6 Suburban/All Purpose Vehicle
 8 Utility (Jimmy)
 9 Stake

8th Position - ENGINE TYPE

A 4-151 (2.5) TBI
 B 6-262 (4.3) TBI
 C 8-379 (6.2) Diesel
 D 6-189 (3.1) TBI
 E 4-151 (2.5) TBI
 E 6-207 (3.4) SFI
 F 8-397 (6.5) Turbo Diesel
 H 8-305 (5.0) TBI
 J 8-379 (6.2) Diesel
 J 8-454 (7.4) SFI
 K 8-350 (5.7) TBI
 L 6-231 (3.8) SPFI
 M 8-305 (5.0) SFI
 N 8-454 (7.4) TBI
 P 8-395 (6.5) Diesel
 R 6-173 (2.8) TBI
 R 8-350 (5.7) SFI
 S 8-395 (6.5) Turbo Diesel
 T 6-292 (4.8) 1BC
 W 8-454 (7.4) 4BC
 W 6-262 (4.3) CPI
 X 6-262 (4.3) CPI
 Y 8-395 (6.5) Diesel
 Z 6-262 (4.3) TBI
 4 4-134 (2.2) PFI

9th Position - CHECK DIGIT**10th Position - MODEL YEAR**

L 1990 S 1995
 M 1991 T 1996
 N 1992 V 1997
 P 1993 W 1998
 R 1994

11th Position - ASSEMBLY PLANT**12th - 17th Positions - SEQUENCE NUMBER**

A sequential number assigned by the manufacturer.

1999-2004**GMC/BUICK/CAD/OLDS/PONT****1st, 2nd & 3rd Positions - DIVISION**

1GH Oldsmobile MPV
 1GM Pontiac MPV
 1GT GMC Truck
 1GY Cadillac Truck
 3G5 Buick APV
 3G7 Pontiac APV

4th Position - GVW/BRAKE SYSTEM

A 1,000 - 3,000/Hyd
 B 3,001 - 4,000/Hyd
 C 4,001 - 5,000/Hyd
 D 5,001 - 6,000/Hyd
 E 6,001 - 7,000/Hyd
 F 7,001 - 8,000/Hyd
 G 8,001 - 9,000/Hyd
 H 9,001 - 10,000/Hyd
 J 10,001 - 14,000/Hyd
 K 14,001 - 16,000/Hyd

VEHICLE IDENTIFICATION

VIN DECODING

GENERAL MOTORS

**1999-2004 GMC/BUICK/
CAD/OLDS/PONT (Cont.)****5th Position - CHASSIS TYPE**

A Rendezvous SRV 4x2
Rendezvous SRV 4x4
B Aztec SRV 4x2
Aztec SRV 4x4
C 4x2
E SRX
G Van
K 4x4
L Van (Safari 4x4)
M Van (Safari 4x2)
S 4x2
Bravada
Canyon
Envoy
Envoy XL
Jimmy
Rainier
Sonoma
T 4x4
Bravada
Canyon
Envoy
Envoy XL
Jimmy
Rainier
Sonoma
U All Purpose Vehicle (Aztek, Montana,
Rendezvous, Silhouette)

6th Position - SERIES

0 MPV
1 1/2 Ton
2 3/4 Ton
3 1 Ton
6 1/2 Ton Luxury
7 3/4 Ton Luxury
8 1 Ton Luxury

7th Position - BODY TYPE

1 Hi-Cube & Cutaway Van
3 Four Door Cab
4 Two Door Cab
5 Van/Cargo Van
6 Yukon XL, Suburban/All Purpose Vehicle
8 Utility (Bravada, Envoy, Envoy XL, Jimmy,
Canyon)
9 Extended Cab

8th Position - ENGINE TYPE

A 8-279 (4.6) MFI
E 6-207 (3.4) SFI
F 8-397 (6.5) Turbo Diesel
G 8-496 (8.1) MFI
J 8-454 (7.4) SFI
M 8-305 (5.0) SFI
N 8-365 (6.0) MFI
P 8-325 (5.3) MFI
R 8-350 (5.7) SFI
S 6-254 (4.2) MFI
T 8-323 (5.3) SFI
U 8-364 (6.0) SFI
V 8-294 (4.8) MFI
W 6-262 (4.3) SFI
X 6-262 (4.3) SFI
Z 8-325 (5.3) MFI
1 8-403 (6.6) Turbo Diesel
2 8-403 (6.6) Turbo Diesel
4 4-134 (2.2) PFI
5 4-262 (2.2) MFI
6 5-211 (3.5) MFI
7 6-217 (3.6) MFI
8 4-169 (2.8) MFI

9th Position - CHECK DIGIT**10th Position - MODEL YEAR**

X - 1999 1 - 2001 3 - 2003
Y - 2000 2 - 2002 4 - 2004

11th Position - ASSEMBLY PLANT**12th - 17th Positions - SEQUENCE NUMBER**

A sequential number assigned by the manufacturer.

**2005 - 2007
GMC/BUICK/CAD/OLDS/PONT
(except SRX, Terraza, SV6 & Torrent)****1st Position - COUNTRY OF ORIGIN**

1 Mexico (Rendezvous, Aztek)
2 Canada
1,4 USA

2nd Position - MANUFACTURER

G General Motors

3rd Position - MAKE

C Chevrolet Truck, GMC Truck, Cadillac Truck
D GMC Incomplete
K GMC MPV
M Pontiac (Montana)
T GMC Truck
1 Buick/Pontiac Rendezvous/Aztek
8 GMC (Acadia)

4th Position - GVWR/BRAKE SYSTEM

B 3,001 - 4,000/Hyd
C 4,001 - 5,000/Hyd
D 5,001 - 6,000/Hyd
E 6,001 - 7,000/Hyd
F 7,001 - 8,000/Hyd
G 8,001 - 9,000/Hyd
H 9,001 - 10,000/Hyd
J 10,001 - 14,000/Hyd
K 14,001 - 16,000/Hyd

5th Position - TRUCK LINE/CHASSIS TYPE

A Rendezvous SRV 4x2
A Rendezvous SRV 4x4
B Aztek SRV 4x2
B Rendezvous SRV 4x4 (06)
B Aztek SRV 4x4
C 4x2
G Van 4x2, Chevrolet Express, GMC Savana
K 4x4
L Small Van - AWD
M Small Van - 4x2
R/1 FWD
S Small Conventional Cab 4x2
T Small Conventional Cab 4x4
U/0 Montana APV 4x2
U/1 FWD
U/1 Montana APV 4x2 Luxury
U/2 Montana APV 4x2 Economy
V/0 Montana APV 4x4
V/1 Montana APV 4x4 Luxury
V/2 Montana APV 4x4 Economy
X/0 Montana APV 4x2 EXT W/B
X/1 Montana APV 4x2 Luxury EXT W/B
X/2 Montana APV 4x2 Economy EXT W/B

6th Position - SERIES

0 Base (Montana)
0 All Purpose Vehicle
1 1/2 Ton Nominal
1 Luxury (Montana)
2 3/4 Ton Nominal
2 Economy (Montana)
3 1 Ton Nominal
6 1/2 Ton Luxury
7 3/4 Ton Luxury
8 1 Ton Luxury
7th Position - BODY TYPE
1 Hi-Cube & Cutaway Van
2 Sport Utility Truck (Avalanche, Escalade EXT,
Escalade EXT Platinum)
3 Four Door Utility or Crew Cab
3 GMT 305
3 GMT 360
4 Two Door Cab
5 Van
6 GMT 370
6 (Suburban, Yukon XL, Denali XL, Escalade ESV,
Escalade ESV Platinum)
8 Two Door Utility
9 Two Door Extended Cab, Extended Van

8th Position - ENGINE TYPE

-- 2.8 L L4 MFI LK5
B 5.3 L V8 SFI L33 Alum. HO
E 3.4 L V6 MFI LA1 RPO HO Gas
G 8.1 L V8 MFI L18
H 6.0 L V8 SFI LS2 GM
K 6.0 L V8 w/DoD

M 5.3L V8 SFI LH6 GM (Rainier, Envoy 06)
N 6.0 L V8 MFI LQ9
P 5.3 L V8 SFI LM4 GM
S 4.2 L L6 MFI LL8 GM
T 5.3 L V8 MFI LM7 (Sierra, Escalade, Yukon)
T 5.3 L V8 MFI LQ4 IORN
U 6.0 L V8 MFI LM7 IORN
U 6.0 L V8 MFI LQ4 (Sierra, Escalade, Yukon)
V 4.8 L V8 MFI LR4 IORN
W 6.6 L V8 90° LLY
X 4.3 L V6 EFI LU3
X 4.3 L V6 MFI LU3 IORN (Savana)
Y 6.0 L V8 MFI L76
Z 5.3 L V8 MFI L59
2 3.5 L 5 Cyl MFI L52 LS Alum. DOHC
2 6.6 L V8 DSL LLY
7 3.6 L V6 SFI LY7 RPO Alum., 60°
8 3.5 L V6 60° LY7 (Rendezvous)
8 3.5 L V6 60° LY9 (Rendezvous)
8 2.8 L L4 MFI LK5 (Cayon 06)
8 6.2 L V8 MFI L92
8 6.2 L V8 SFI L92

9th Position - CHECK DIGIT**10th Position - MODEL YEAR**

5 2005 6 - 2006 7 - 2007

11th Position - PLANT LOCATION**12th - 17th Positions - SEQUENCE NUMBER**

A sequential number assigned by the manufacturer.

SRX**1st Position - COUNTRY OF ORIGIN**

1 USA

2nd Position - MANUFACTURER

G General Motors

3rd Position - MAKE

Y Cadillac

4th Position - GVWR/BRAKE SYSTEM

E 6001 - 7000/Hyd

5th Position - LINE/SERIES

E SRX
6 RHD

6th Position - BODY STYLE

SUV 4 Dr

7th Position - RESTRAINT SYSTEM

3 Active Manual Belts w/Driver & Passenger
Supplemental Inflatable Restraint Front & Side

8th Position - ENGINE TYPE

A 4.6L V6 SFI RPO LH2
7 3.6L V6 SFI RPO LY7 HO DOHC

9th Position - CHECK DIGIT**10th Position - MODEL YEAR**

5 2005 6 2006 7 - 2007

11th Position - PLANT LOCATION**12th - 17th Positions - SEQUENCE NUMBER**

A sequential number assigned by the manufacturer.

Terraza, Montana SV6 & Torrent**1st Position - COUNTRY OF ORIGIN**

1 USA
2 Canada

2nd Position - MANUFACTURER

C CAMI
G General Motors

3rd Position - DIVISION

2 Pontiac
4 Buick

4th Position - GVWR/BRAKE SYSTEM

-- 5,070/Hyd
D 5,001 - 6,000 Brake System/Hyd

**5th & 6th Position - LINE/CAR LINE/
CHASSIS/SERIES**

U1 Pontiac Reg Wheelbase FWD (Montana SV6)
U1 Pontiac Ext Wheelbase FWD (Montana SV6)
U1 Buick Ext Wheelbase FWD (Terraza)
X1 Buick Ext Wheelbase AWD (Terraza)
X1 Pontiac Ext Wheelbase AWD (Montana SV6)
1LF FWD 6 Cyl Automatic
1LG AWD 6 Cyl Automatic
U0 Montana SV6 RWB 4x2 (1/2 Ton) (US/Canada
& SAU1/Mexico 1SB) (06)

Cont.

2005 - 2007**GMC/BUICK/CAD/OLDS/PONT****Terraza, Montana SV6 & Torrent (Cont.)****5th & 6th Position - LINE/CAR LINE/ CHASSIS/SERIES (Cont.)**

U2 Montana SV6 RWB 4x2 (1/2 Ton) (US/Canada & SAU2/Mexico 1SC) (06)
 U3 Montana SV6 RWB 4x2 (1/2 Ton) (US/Canada & SAU3/Mexico 1SE) (06)
 V0 Montana SV6 EWB 4x2 (1/2 Ton) 1SA Mexico 1SB) (06)
 V1 Buick Terraza EXT Mobility Incomplete (1/2 Ton) (06-07)
 V1 Montana SV6 EWB Mobility Incomplete (1/2 Ton) 1SA (06)
 V2 Buick Terraza EXT EWB-CX (1/2 Ton) (06-07)
 V2 Montana SV6 EWB 4x2 (1/2 Ton) (US/Canada 1SB, Mexico 1SC) (06)
 V3 Buick Terraza EXT CXL (1/2 Ton) (06)
 V3 Montana SV6 EWB (1/2 Ton) (1SB Domestic) (06)
 V3 Montana SV6 EWB 4x2 (1/2 Ton) (US/Canada 1SB, Mexico 1SC) (06)
 X2 Buick Terraza AWD EXT CX (1/2 Ton) (06)
 X2 Montana SV6 AWB (1/2 Ton) (US) (06)
 X3 Buick Terraza AWD EXT CXL (1/2 Ton) (06)

7th Position - BODY TYPE

3 Four Door, Cab/Utility
 5 Van

8th Position - ENGINE TYPE

F 3.4L V6 SFI RPO LNJ 60 Degree V
 L 3.5L 6 Cyl SFI LX9 V6
 1 3.9L V6 LZ9

9th Position - CHECK DIGIT**10th Position - MODEL YEAR**

5 2005 6 - 2006 7 - 2007

11th Position - PLANT LOCATION**12th - 17th Positions - SEQUENCE NUMBER**

A sequential number assigned by the manufacturer.

VIN DECODING

VEHICLE IDENTIFICATION

GEO

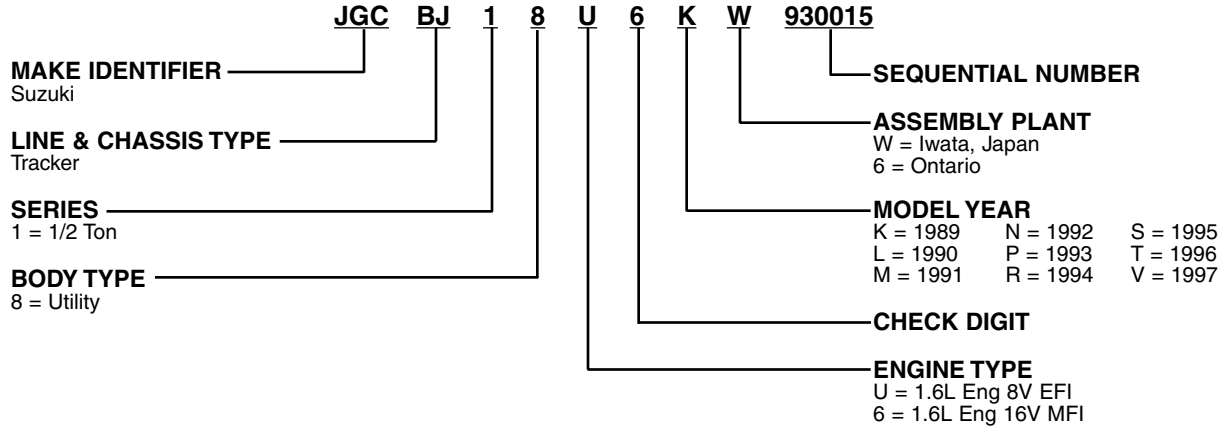
TRACKER

1989-97

IDENTIFICATION NUMBER OR PLATE LOCATION

Identification number is located on upper left side of dash panel, visible through windshield.

SAMPLE VIN:



ENGINE IDENTIFICATION NUMBER LOCATION

Engine number is stamped on flange for transaxle mounting, driver's side of vehicle.

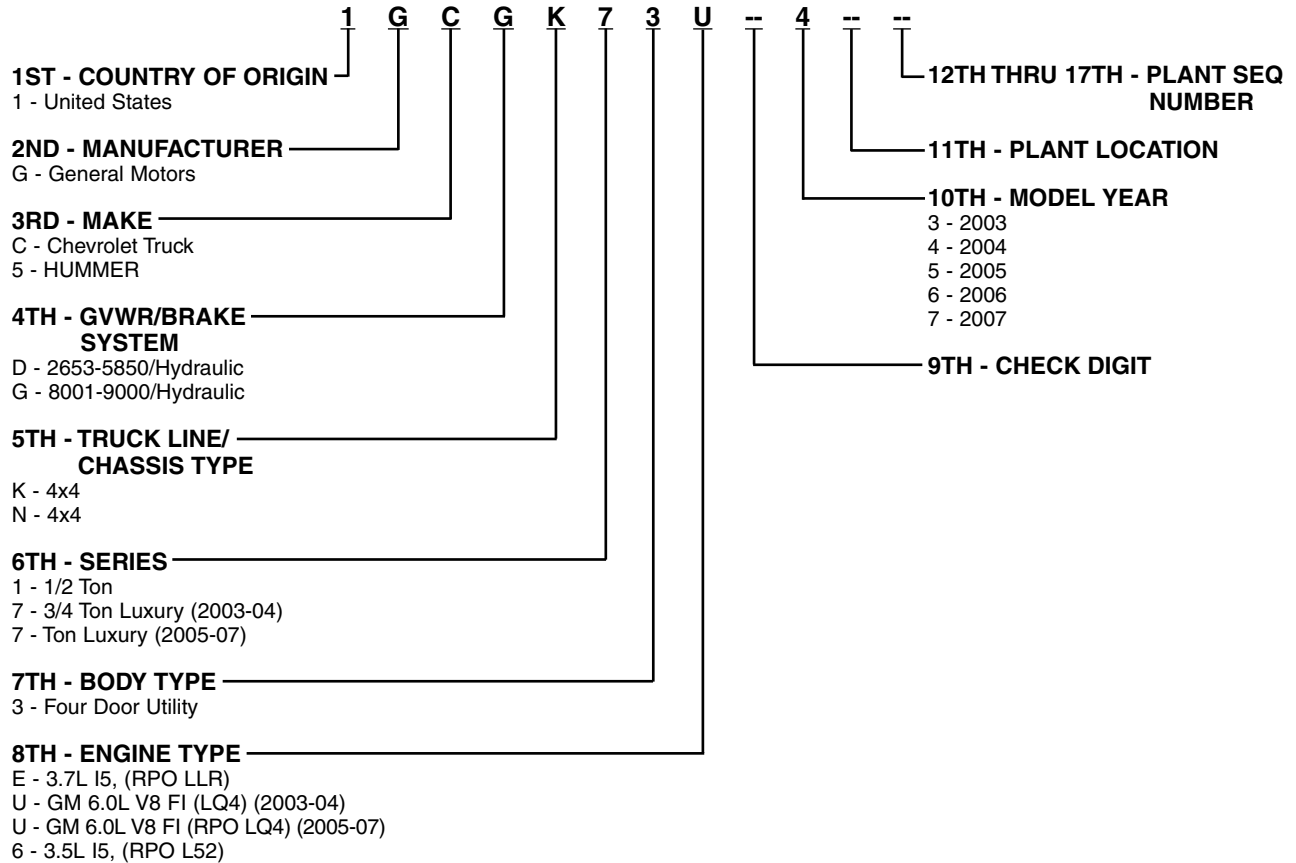
HUMMER

LOCATION: The Vehicle Identification Number is stamped on a metal plate. The plate is attached to the upper left corner of the instrument panel on all models.

SAMPLE VIN:

HUMMER

2003-2007



VEHICLE IDENTIFICATION

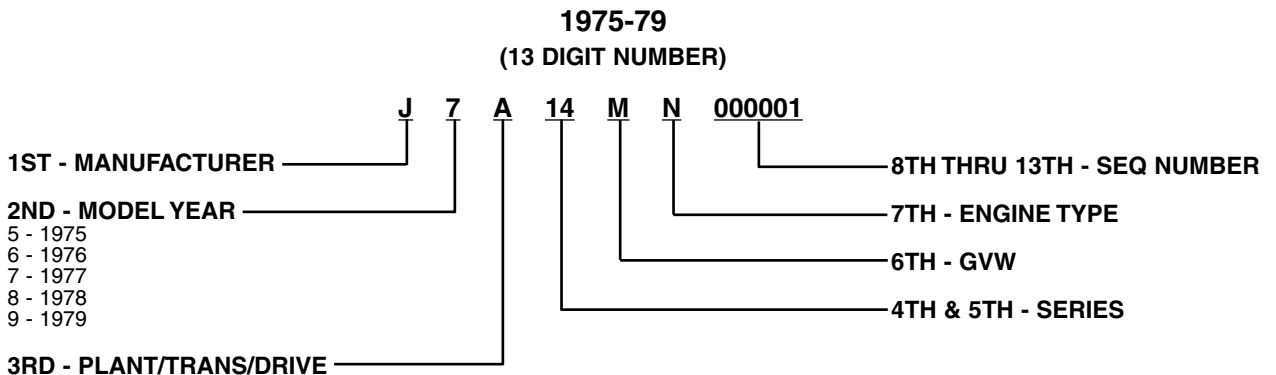
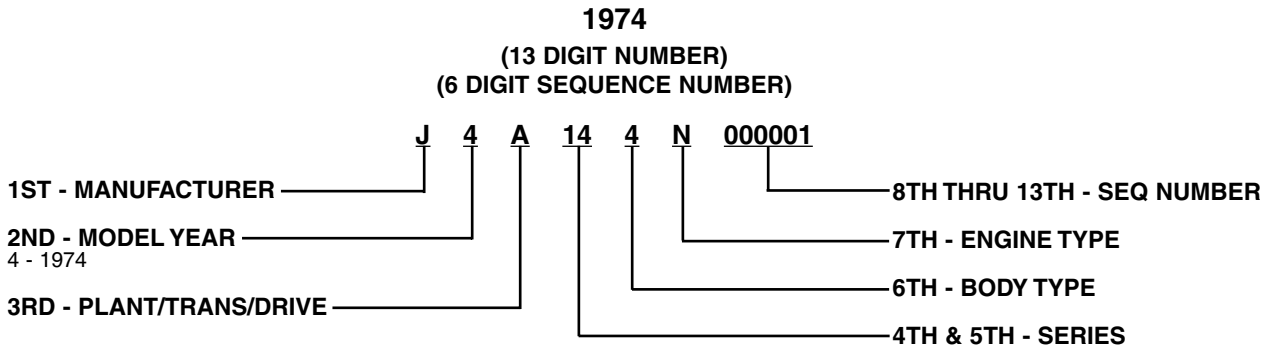
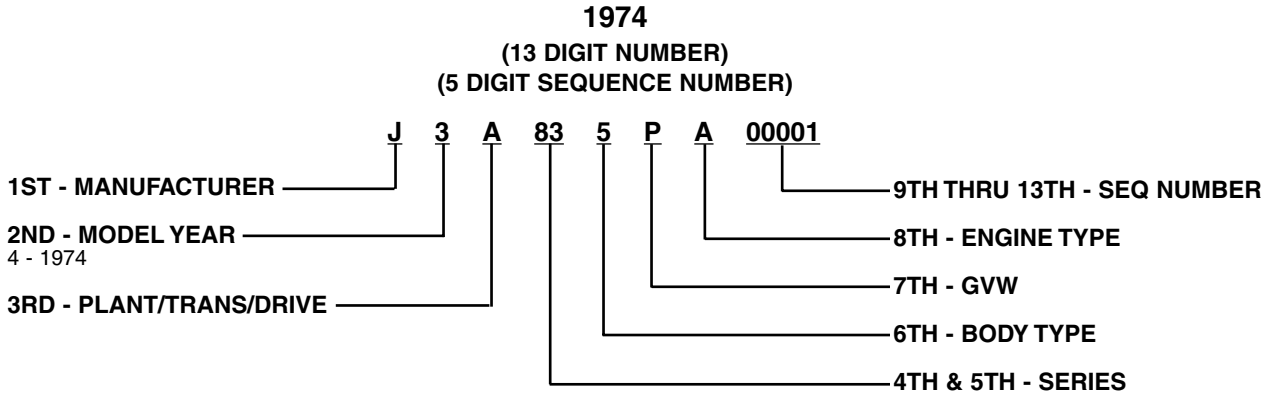
VIN DECODING

JEEP CORPORATION

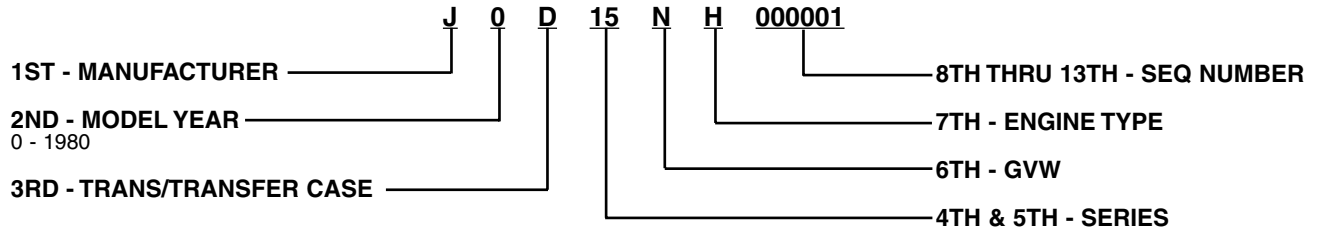
CHEROKEE, CJ SERIES, COMANCHE, COMMANDER, COMPASS, GRAND CHEROKEE,
GRAND WAGONEER, J10/20, LIBERTY, PATRIOT, WAGONEER & WRANGLER

LOCATION: The vehicle identification number is located on a metal plate attached to upper left corner of the firewall inside the engine compartment and/or on the left front door pillar. On later vehicles it can also be found on the left side of the instrument panel visible through the windshield.

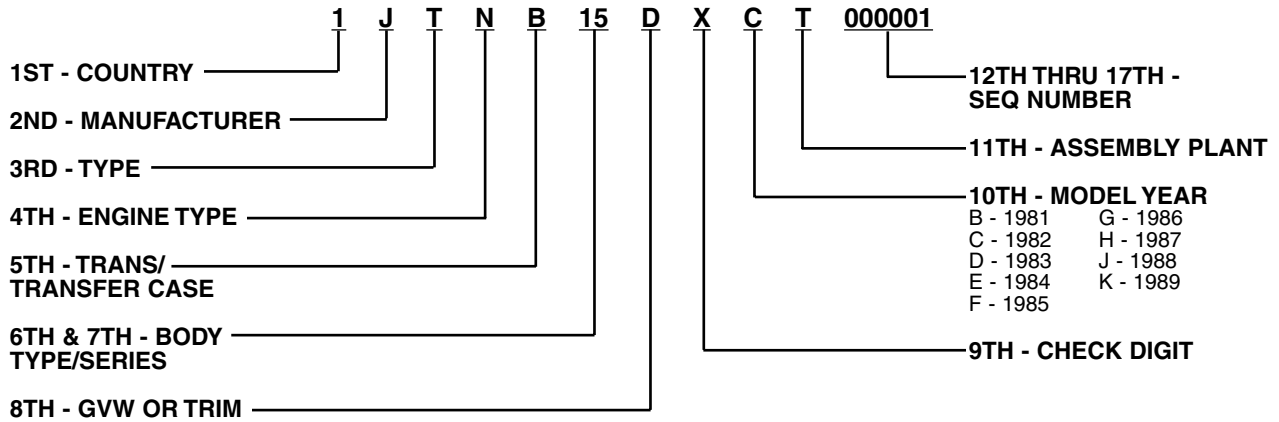
SAMPLE VIN:



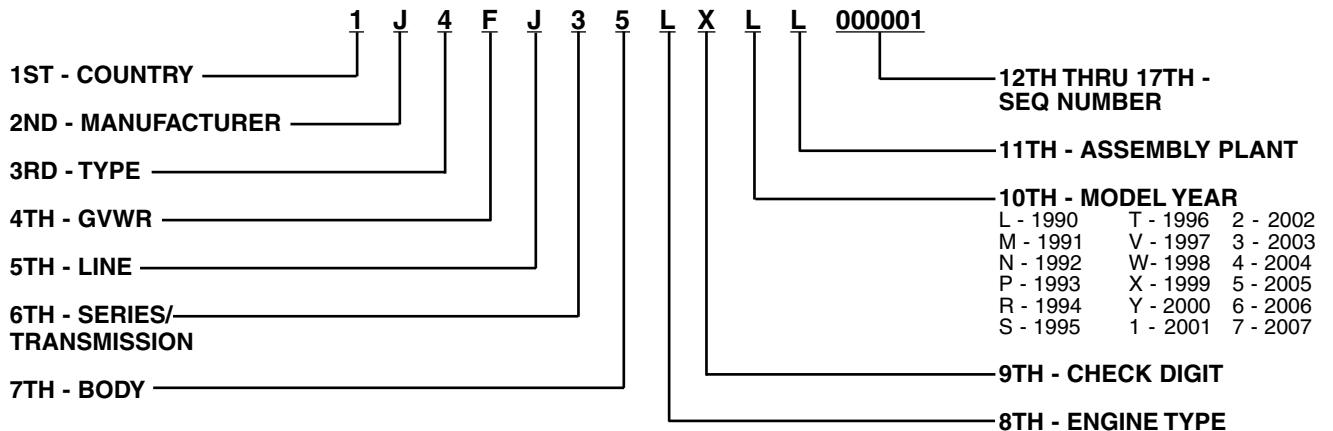
1980
(13 DIGIT NUMBER)



1981-89
(17 DIGIT NUMBER)



1990-2007
(17 DIGIT NUMBER)



VEHICLE IDENTIFICATION

VIN DECODING

1974 JEEP

1st Position - MANUFACTURER

J Jeep

2nd Position - MODEL YEAR

4 1974

3rd Position - PLANT/TRANSMISSION/DRIVE

A Toledo - Auto - LHD
F Toledo - 3 Spd - LHD
G Toledo - 3 Spd - RHD
M Toledo - 4 Spd - LHD
N Toledo - 4 Spd - RHD

4th & 5th Positions - SERIES

14 Wagoneer
15 Custom Wagoneer
16 Cherokee
17 Cherokee "S"
25 Pickup - J10 (119" WB)
45 Pickup - J10 (131" WB)
46 Pickup - J20 (131" WB)
83 CJ5 (84" WB)
84 CJ6 (104" WB)

6th Position - BODY TYPE

F Full Cab
H Half Cab
1 Pickup (Thrifftside)
2 Pickup (Townside)
4 Station Wagon (4 Door)
5 Open Body
6 Pickup (Cab & Chassis)
7 Station Wagon (2 Door)
8 Stripped Chassis

7th Position - GVW

C 5,600 (Wagon, Pickup - J10)
E 6,000 (Wagon)
K 7,200 (Pickup - J20)
M 6,500 (Pickup - J20)
P 4,200 (CJ6)
R 4,750 (CJ6)
S 4,500 (CJ5)
T 3,750 (CJ5)
V 3,900 (CJ6)
W 5,200 (Pickup - J10)
Z 8,000 (Pickup - J20)

8th Position - ENGINE TYPE

A 6-258 1BC
E 6-232 1BC
H 8-304 2BC
N 8-360 2BC
P 8-360 4BC
Z 8-401 4BC

9th thru 13th Positions - SEQUENCE NUMBER

A sequential number assigned by the manufacturer.

6 DIGIT SEQUENCE NUMBER

1st Position - MANUFACTURER

J Jeep

2nd Position - MODEL YEAR

4 1974

3rd Position - PLANT/TRANSMISSION/DRIVE

A Toledo - Auto - LHD
F Toledo - 3 Spd - LHD
G Toledo - 3 Spd - RHD
M Toledo - 4 Spd - LHD
N Toledo - 4 Spd - RHD

4th & 5th Positions - SERIES

14 Wagoneer
15 Custom Wagoneer
16 Cherokee
17 Custom "S" Cherokee
25 Pickup - J10 (119" WB)
45 Pickup - J10 (131" WB)
46 Pickup - J20 (131" WB)

6th Position - BODY TYPE

F Full Cab
H Half Cab
1 Pickup (Thrifftside)
2 Pickup (Townside)
4 Station Wagon (4 Door)
5 Open Body

6 Pickup (Cab & Chassis)
7 Station Wagon (2 Door)
8 Stripped Chassis

7th Position - ENGINE TYPE

A 6-258 1BC
E 6-232 1BC
H 8-304 2BC
N 8-360 2BC
P 8-360 4BC
Z 8-401 4BC

8th thru 13th Positions - SEQUENCE NUMBER

A sequential number assigned by the manufacturer.

1975 JEEP

1st Position - MANUFACTURER

J Jeep

2nd Position - MODEL YEAR

5 1975

3rd Position - PLANT/TRANSMISSION/DRIVE

A Toledo - Auto - LHD
F Toledo - Auto - LHD
G Toledo - 3 Spd - RHD
M Toledo - 4 Spd - LHD
N Toledo - 4 Spd - RHD

4th & 5th Positions - SERIES

14 Wagoneer
15 Custom Wagoneer
16 Cherokee
17 Custom "S" Cherokee
25 Pickup - J10 (119" WB)
45 Pickup - J10 (131" WB)
46 Pickup - J20 (131" WB)
83 CJ5 (84" WB)
84 CJ6 (104" WB)

6th Position - GVW

A 3,750 (CJ5)
B 4,000 (CJ6)
C 4,500 (CJ5)
D 4,750 (CJ6)
M 6,025 (Wagon, Pickup - J10)
N 6,500 (Pickup - J20)
R 7,200 (Pickup - J20)
X 8,000 (Pickup - J20)

7th Position - ENGINE TYPE

A 6-258 1BC
E 6-232 1BC
H 8-304 2BC
N 8-360 2BC
P 8-360 4BC
Z 8-401 4BC

8th thru 13th Positions - SEQUENCE NUMBER

A sequential number assigned by the manufacturer.

1976 JEEP

1st Position - MANUFACTURER

J Jeep

2nd Position - MODEL YEAR

6 1976

3rd Position - PLANT/TRANSMISSION/DRIVE

A Toledo - Auto - LHD
F Toledo - 3 Spd - LHD
G Toledo - 3 Spd - RHD
M Toledo - 4 Spd - LHD

4th & 5th Positions - SERIES

14 Wagoneer
15 Custom Wagoneer
16 Cherokee
17 Custom "S" Cherokee
25 Pickup - J10 (119" WB)
45 Pickup - J10 (131" WB)
46 Pickup - J20 (131" WB)
83 CJ5 (84" WB)
84 CJ6 (104" WB)
93 CJ7 (94" WB)

6th Position - GVW

A 3,750 (CJ5, CJ6, CJ7)
E 4,150 (CJ5, CJ6, CJ7)
M 6,025 (Wagon, Pickup - J10)
N 6,500 (Pickup - J20)

R 7,200 (Pickup - J20)
X 8,000 (Pickup - J20)

7th Position - ENGINE TYPE

A 6-258 1BC
E 6-232 1BC
H 8-304 2BC
N 8-360 2BC
P 8-360 4BC
Z 8-401 4BC

8th thru 13th Positions - SEQUENCE NUMBER

A sequential number assigned by the manufacturer.

1977-78 JEEP

1st Position - MANUFACTURER

J Jeep

2nd Position - MODEL YEAR

7 1977
8 1978

3rd Position - PLANT/TRANSMISSION/DRIVE

A Toledo - Auto - LHD
B Toledo - Auto - RHD
F Toledo - 3 Spd - LHD
G Toledo - 3 Spd - RHD
M Toledo - 4 Spd - LHD
N Toledo - 4 Spd - RHD

4th & 5th Positions - SERIES

15 Custom Wagoneer
16 Cherokee
17 Cherokee Chief (2 Door Wide Track & "S" Custom)
18 Cherokee (4 Door)
25 Pickup - J10 (119" WB)
45 Pickup - J10 (131" WB)
46 Pickup - J20 (131" WB)
83 CJ5 (84" WB)
93 CJ7 (94" WB)

6th Position - GVW

A 3,750 (CJ5, CJ7)
E 4,150 (CJ5, CJ7)
M 6,025 (Wagon, Pickup - J10)
N 6,200 (Wagon, Pickup - J10)
P 6,800 (Pickup - J20)
S 7,600 (Pickup - J20)
Y 8,400 (Pickup - J20)

7th Position - ENGINE TYPE

A 6-258 1BC
C 6-258 2BC
E 6-232 1BC
H 8-304 2BC
N 8-360 2BC
P 8-360 4BC
Z 8-401 4BC

8th thru 13th Positions - SEQUENCE NUMBER

A sequential number assigned by the manufacturer.

1979 JEEP

1st Position - MANUFACTURER

J Jeep

2nd Position - MODEL YEAR

9 1979

3rd Position - PLANT/TRANSMISSION/DRIVE

A Toledo - Auto - LHD
B Toledo - Auto - RHD
F Toledo - 3 Spd - LHD
G Toledo - 3 Spd - RHD
M Toledo - 4 Spd - LHD
N Toledo - 4 Spd - RHD

4th & 5th Positions - SERIES

15 Custom Wagoneer
16 Cherokee (2 Door)
17 Cherokee Chief (2 Door Wide Track)
18 Cherokee (4 Door)
25 Pickup - J10 (119" WB)
45 Pickup - J10 (131" WB)
46 Pickup - J20 (131" WB)
83 CJ5 (84" WB)
93 CJ7 (94" WB)

1979 JEEP (Cont.)

6th Position - GVW

A 3,750 (CJ5, CJ7)
 E 4,150 (CJ5, CJ7)
 N 6,200 (Wagon, Pickup - J10)
 P 6,800 (Pickup - J20)
 S 7,600 (Pickup - J20)
 Y 8,400 (Pickup - J20)

7th Position - ENGINE TYPE

A 6-258 1BC
 B 4-151 2BC
 C 6-258 2BC
 H 8-304 2BC
 N 8-360 2BC

8th thru 13th Positions - SEQUENCE NUMBER

A sequential number assigned by the manufacturer.

1980 JEEP

1st Position - MANUFACTURER

J Jeep

2nd Position - MODEL YEAR

0 1980

3rd Position - TRANSMISSION/TRANSFER CASE

D Auto - Part Time 4WD
 E Auto - Full Time 4WD
 M 4 Spd - Part Time 4WD

4th & 5th Positions - SERIES

15 Custom Wagoneer
 16 Cherokee (2 Door)
 17 Cherokee (2 Door Wide Track)
 18 Cherokee (4 Door)
 25 Pickup - J10 (119" WB)
 45 Pickup - J10 (131" WB)
 46 Pickup - J20 (131" WB)
 83 CJ5 (84" WB)
 93 CJ7 (94" WB)

6th Position - GVW

A 3,750 (CJ5, CJ7)
 E 4,150 (CJ5, CJ7)
 N 6,200 (Wagon, Pickup - J10)
 P 6,800 (Pickup - J20)
 S 7,600 (Pickup - J20)
 Y 8,400 (Pickup - J20)

7th Position - ENGINE TYPE

A 6-258 (4.2) 1BC
 B 4-151 (2.5) 2BC
 C 6-258 (4.2) 2BC
 H 8-304 (5.0) 2BC
 N 8-360 (5.9) 2BC

8th thru 13th Positions - SEQUENCE NUMBER

A sequential number assigned by the manufacturer.

1981-83 JEEP

1st Position - COUNTRY

1 US
 2 Canada

2nd Position - MANUFACTURER

B AMC Canada
 J Jeep

3rd Position - TYPE

C Multipurpose Vehicle
 D Incomplete Vehicle
 T Truck

4th Position - ENGINE TYPE

B 4-151 (2.5) 2BC (GM Built)
 C 6-258 (4.2) 2BC
 H 8-304 (5.0) 2BC
 N 8-360 (5.9) 2BC
 U 4-150 (2.5) 1BC (AMC Built)

5th Position - TRANSMISSION/TRANSFER CASE

A Auto Column Shift - Full Time 4X4
 B Auto Floor Shift - Part Time 4X4
 C Auto Floor Shift - Full Time 4X4
 E Auto Column Shift - Part Time 4X4
 F 5 Spd Floor Shift - Part Time 4X4
 G 4 Spd Floor Shift - Full Time 4X4
 H 4 Spd Floor Shift - Part or Full Time 4X4
 J Auto Column Shift - Part or Full Time 4X4

K Auto Floor Shift - Part or Full Time 4X4
 L 5 Spd Floor Shift - Part Time 4X4
 M 4 Spd Floor Shift - Part Time 4X4
 N 5 Spd Floor Shift - Part Time 4X4
 P 5 Spd Floor Shift - Full Time 4X4
 W 5 Spd Floor Shift - 4X2
 X Part Time

6th & 7th Positions - BODY TYPE/SERIES

15 Wagoneer
 16 Cherokee (2 Door)
 17 Cherokee (2 Door)
 18 Cherokee (4 Door)
 25 Pickup - J10 (119" WB)
 26 Pickup - J10 (131" WB)
 27 Pickup - J20 (131" WB)
 85 CJ5 Open Body
 87 CJ7 Open Body
 88 CJ8 Open Body

8th Position - GVW

A 3,750 - 5,975 - 6,200
 C 6,200
 D 5,975 - 6,200
 E 4,150
 L 5,975
 N 5,975 - 6,200
 P 6,800
 S 7,600
 U 6,200
 Y 8,400

9th Position - CHECK DIGIT

10th Position - MODEL YEAR

B 1981
 C 1982
 D 1983

11th Position - ASSEMBLY PLANT

12th thru 17th Positions - SEQUENCE NUMBER

A sequential number assigned by the manufacturer.

1984-85 JEEP

1st Position - COUNTRY

1 US
 2 Canada

2nd Position - MANUFACTURER

B AMC Canada
 J Jeep

3rd Position - TYPE

C Multipurpose Vehicle
 D Incomplete Vehicle
 T Truck

4th Position - ENGINE TYPE

B 4-126 (2.1) Turbo Diesel
 C 6-258 (4.2) 2BC
 N 8-360 (5.9) 2BC
 U 4-150 (2.5) 1BC
 W 6-173 (2.8) 2BC

5th Position - TRANSMISSION/TRANSFER CASE

A Auto Column Shift - Full Time 4X4
 B Auto Floor Shift - Part Time 4X4
 C Auto Floor Shift - Full Time 4X4
 D Auto Floor Shift - 4X2
 E Auto Column Shift - Part Time 4X4
 F 5 Spd Floor Shift - Part Time 4X4
 G 4 Spd Floor Shift - Part Time 4X4
 H 4 Spd Floor Shift - Full Time 4X4
 J Auto Column Shift - Full Time 4X4
 K Auto Floor Shift - Full or Part Time 4X4
 L 5 Spd Floor Shift - Part Time 4X4
 M 4 Spd Floor Shift - Part Time 4X4
 N 5 Spd Floor Shift - Full or Part Time 4X4
 P 5 Spd Floor Shift - Full Time 4X4
 S 4 Spd Floor Shift - 4X2
 W 5 Spd Floor Shift - 4X2
 X 4 Spd Floor Shift - Part Time 4X4

6th & 7th Positions - BODY TYPE/SERIES

15 Grand Wagoneer 4 Door (109" WB)
 25 Pickup - J10 (119" WB)
 26 Pickup - J10 (131" WB)
 27 Pickup - J20 (131" WB)
 73 Cherokee 2 Door (101" WB) 4X2
 74 Cherokee 4 Door (101" WB) 4X2
 75 Wagoneer 4 Door (101" WB) 4X4

77 Cherokee 2 Door (101" WB) 4X4
 78 Cherokee 4 Door (101" WB) 4X4
 87 CJ7 Open Body
 88 CJ8 Open Body

8th Position - GVW AND/OR TRIM

A 3,750 - 5,975 - 6,200
 C 6,200
 D 5,975 - 6,200
 E 4,150
 L 5,975
 N 5,975 - 6,200
 P 6,800
 S 7,600
 U 6,200
 Y 8,400

1 Cherokee "Base"
 2 Cherokee "Pioneer"
 3 Cherokee "Chief"
 4 Cherokee "Laredo"
 5 Wagoneer "Base"
 6 Wagoneer "Limited"

9th Position - CHECK DIGIT

10th Position - MODEL YEAR

E 1984
 F 1985

11th Position - ASSEMBLY PLANT

12th thru 17th Positions - SEQUENCE NUMBER

A sequential number assigned by the manufacturer.

1986 JEEP

1st Position - COUNTRY

1 US
 2 Canada

2nd Position - MANUFACTURER

B AMC Canada
 J Jeep

3rd Position - TYPE

C Multipurpose Vehicle
 D Incomplete Vehicle
 T Truck

4th Position - ENGINE TYPE

B 4-126 (2.1) Turbo Diesel
 C 6-258 (4.2) 2BC
 H 4-150 (2.5) TBI
 N 8-360 (5.9) 2BC
 U 4-150 (2.5) 1BC
 W 6-173 (2.8) 2BC

5th Position - TRANSMISSION/TRANSFER CASE

A Auto Column Shift - Full Time 4X4
 B Auto Floor Shift - Part Time 4X4
 C Auto Floor Shift - Full Time 4X4
 D Auto Floor Shift - 4X2
 E Auto Column Shift - Part Time 4X4
 F 5 Spd Floor Shift - Part Time 4X4
 G 4 Spd Floor Shift - Part Time 4X4
 H 4 Spd Floor Shift - Full Time 4X4
 J Auto Column Shift - Full Time 4X4
 K Auto Floor Shift - Full or Part Time 4X4
 L 5 Spd Floor Shift - Part Time 4X4
 M 4 Spd Floor Shift - Part Time 4X4
 N 5 Spd Floor Shift - Full or Part Time 4X4
 P 5 Spd Floor Shift - Full Time 4X4
 S 4 Spd Floor Shift - 4X2
 W 5 Spd Floor Shift - 4X2
 X 4 Spd Floor Shift - Part Time 4X4

6th & 7th Positions - BODY TYPE/SERIES

15 Grand Wagoneer 4 Door (109" WB)
 25 Pickup - J10 (119" WB)
 26 Pickup - J10 (131" WB)
 27 Pickup - J20 (131" WB)
 63 Pickup - Comanche 4X4 (6 Ft Bed)
 64 Pickup - Comanche 4X2 (6 Ft Bed)
 65 Pickup - Comanche 4X4 (7 Ft Bed)
 66 Pickup - Comanche 4X2 (7 Ft Bed)
 73 Cherokee 2 Door 4X2 (101" WB)
 74 Cherokee 4 Door 4X2 (101" WB)
 75 Wagoneer 4 Door 4X4 (101" WB)
 77 Cherokee 2 Door 4X4 (101" WB)
 78 Cherokee 4 Door 4X4 (101" WB)
 87 CJ7 Open Body

VEHICLE IDENTIFICATION

VIN DECODING

1986 JEEP (Cont.)

8th Position - GVW AND/OR TRIM

- A 3,750 - 5,975 - 6,200
- C 6,200
- D 5,975 - 6,200
- E 4,150
- F Comanche "Custom" (Metric Ton)
- G Comanche "X" (Metric Ton)
- H Comanche "Sport" or "XL" (Metric Ton)
- J Comanche "XLS" (Metric Ton)
- K 3,001 - 4,000 Cherokee "Base"
- L 5,975
- M 3,001 - 4,000 Cherokee "Pioneer"
- N 3,001 - 4,000 Cherokee "Laredo"
- P 6,800
- S 7,600
- U 6,200
- Y 8,400
- 1 4,001 - 5,000 Cherokee "Base"
- 2 Comanche "Custom" (Std Payload)
- 1 4,001 - 5,000 Cherokee "Pioneer"
- 3 4,001 - 5,000 Cherokee "Chief"
- 4 4,001 - 5,000 Cherokee "Laredo"
- 5 Wagoneer "Base"
- 6 Wagoneer "Limited"
- 7 Comanche "X" (Std Payload)
- 8 Comanche "Sport" or "XL" (Std Payload)

9th Position - CHECK DIGIT

10th Position - MODEL YEAR

- G 1986

11th Position - ASSEMBLY PLANT

12th thru 17th Positions - SEQUENCE NUMBER

A sequential number assigned by the manufacturer.

1987 JEEP

1st Position - COUNTRY

- 1 US
- 2 Canada

2nd Position - MANUFACTURER

- B AMC Canada
- J Jeep

3rd Position - TYPE

- C Multipurpose Vehicle
- D Incomplete Vehicle
- T Truck

4th Position - ENGINE TYPE

- B 4-126 (2.1) Turbo Diesel
- C 6-258 (4.2) 2BC
- H 4-150 (2.5) TBI
- M 6-242 (4.0) EFI
- N 8-360 (5.9) 2BC

5th Position - TRANSMISSION/TRANSFER CASE

- A Auto (3 Spd) Column Shift - 4X2
- B Auto (3 Spd) - Floor Shift - Part Time 4X4
- C Auto (3 Spd) - Floor Shift - Full Time 4X4
- D Auto (3 Spd) - Floor Shift - 4X2
- E Auto (3 Spd) - Column Shift - Part Time 4X4 (NP207)
- F 5 Spd - Floor Shift - 4X2
- G Auto (4 Spd) - Column Shift - 4X2
- H 4 Spd - Floor Shift - Full Time 4X4
- J Auto (3 Spd) - Column Shift - Full Time 4X4
- L 5 Spd - Floor Shift - Part Time 4X4 (NP207)
- M 4 Spd - Floor Shift - Part Time 4X4 (NP207)
- N 5 Spd - Floor Shift - Full Time 4X4
- P Auto (4 Spd) - Column Shift - Part Time 4X4
- R Auto (4 Spd) - Floor Shift - Part Time 4X4
- S 4 Spd - Floor Shift - 4X2
- T Auto (4 Spd) - Floor Shift - Full Time 4X4
- U Auto (4 Spd) - Floor Shift - 4X2
- V 5 Spd - Floor Shift - (NP231)
- W 5 Spd - Floor Shift - 4X2
- X 4 Spd - Floor Shift - Part Time 4X4
- Y 4 Spd - Floor Shift - (NP231)
- Z Auto - (NP231)

6th & 7th Positions - BODY TYPE/SERIES

- 15 Grand Wagoneer 4 Door (109" WB)
- 25 Pickup - J10 (119" WB)
- 26 Pickup - J10 (131" WB)
- 27 Pickup - J20 (131" WB)

- 63 Pickup - Comanche 4X4 (6 Ft Bed)
- 64 Pickup - Comanche 4X2 (6 Ft Bed)
- 65 Pickup - Comanche 4X4 (7 Ft Bed)
- 66 Pickup - Comanche 4X2 (7 Ft Bed)
- 73 Cherokee 2 Door 4X2 (101" WB)
- 74 Cherokee 4 Door 4X2 (101" WB)
- 75 Wagoneer 4 Door 4X4 (101" WB)
- 77 Cherokee 2 Door 4X4 (101" WB)
- 78 Cherokee 4 Door 4X4 (101" WB)
- 81 Wrangler - YJS 2 Door (93" WB)

8th Position - GVW AND/OR TRIM

- F Comanche "Custom" (Metric Ton)
- J 3,001 - 4,000 Cherokee "Base"
- J 3,001 - 4,000 Wrangler "Base"
- K 3,001 - 4,000 Cherokee "Pioneer"
- K 3,001 - 4,000 Wrangler "Sport"
- L 3,001 - 4,000 Cherokee "Laredo"
- L 3,001 - 4,000 Wrangler "Laredo"
- M 4,001 - 5,000 Wrangler (All Models)
- N 5,001 - 6,000 Pickup - J10
- N 5,001 - 6,000 Grand Wagoneer
- P Comanche "Pioneer" (Std Payload)
- P 6,001 - 7,000 Pickup - J20
- R Comanche "Pioneer" (Metric Ton)
- S Comanche "Chief" (Std Payload)
- S 7,001 - 8,000 Pickup - J20
- T Comanche "Laredo" (Std Payload)
- U Comanche "Laredo" (Metric Ton)
- U 6,001 - 7,000 Pickup - J10
- U 6,001 - 7,000 Grand Wagoneer
- Y 8,001 - 9,000 Pickup - J20
- 1 4,001 - 5,000 Cherokee, Wagoneer "Base"
- 1 Comanche "Base" (Std Payload)
- 1 4,001 - 5,000 Wrangler "Base"
- 2 4,001 - 5,000 Cherokee "Pioneer"
- 3 4,001 - 5,000 Cherokee "Chief"
- 3 4,001 - 5,000 Wrangler "Sport"
- 4 4,001 - 5,000 Cherokee "Laredo"
- 4 4,001 - 5,000 Wagoneer "Limited"
- 4 4,001 - 5,000 Wrangler "Laredo"

9th Position - CHECK DIGIT

10th Position - MODEL YEAR

- H 1987

11th Position - ASSEMBLY PLANT

12th thru 17th Positions - SEQUENCE NUMBER

A sequential number assigned by the manufacturer.

1988-89 JEEP

1st Position - COUNTRY

- 1 US
- 2 Canada

2nd Position - MANUFACTURER

- J Jeep

3rd Position - TYPE

- C Multipurpose Vehicle
- D Incomplete Vehicle
- T Truck

4th Position - ENGINE TYPE

- C 6-258 (4.2) 2BC
- H 4-150 (2.5) TBI
- M 6-242 (4.0) EFI
- N 8-360 (5.9) 2BC

5th Position - TRANSMISSION/TRANSFER CASE

- E Auto (3 Spd) - Column Shift - Part Time 4X4 (NP207)
- F 5 Spd - Floor Shift - 4X2
- G Auto (4 Spd) - Column Shift - 4X2
- J Auto (3 Spd) - Column Shift - Full Time 4X4
- L 5 Spd - Floor Shift - Part Time 4X4 (NP207)
- M 4 Spd - Floor Shift - Part Time 4X4 (NP207)
- P Auto (4 Spd) - Column Shift - Part Time 4X4
- R Auto (4 Spd) - Floor Shift - Part Time 4X4
- S 4 Spd - Floor Shift - 4X2
- T Auto (4 Spd) - Floor Shift - Full Time 4X4
- U Auto (4 Spd) - Floor Shift - 4X2
- V 5 Spd - Floor Shift - (NP231)
- W 5 Spd - Floor Shift - 4X2
- X 4 Spd - Floor Shift - Part Time 4X4
- Y 4 Spd - Floor Shift - (NP231)
- Z Auto - (NP231)

6th & 7th Positions - BODY TYPE/SERIES

- 15 Grand Wagoneer 4 Door (109" WB)
- 63 Pickup - Comanche 4X4 (6 Ft Bed)
- 64 Pickup - Comanche 4X2 (6 Ft Bed)
- 65 Pickup - Comanche 4X4 (7 Ft Bed)
- 66 Pickup - Comanche 4X2 (7 Ft Bed)
- 73 Cherokee 2 Door 4X2 (101" WB)
- 74 Cherokee 4 Door 4X2 (101" WB)
- 75 Wagoneer 4 Door 4X4 (101" WB)
- 77 Cherokee 2 Door 4X4 (101" WB)
- 78 Cherokee 4 Door 4X4 (101" WB)
- 79 Cherokee 2 Door 4X4 (Commercial)
- 81 Wrangler - YJS 2 Door (93" WB)
- 82 Wrangler - YJL 2 Door (103" WB)

8th Position - GVW AND/OR TRIM

- F Comanche "Custom" (Metric Ton)
- J 3,001 - 4,000 Cherokee "Base"
- J 3,001 - 4,000 Wrangler "Base"
- K 3,001 - 4,000 Cherokee "Pioneer"
- K 3,001 - 4,000 Wrangler "Sport"
- L 3,001 - 4,000 Cherokee "Laredo"
- L 3,001 - 4,000 Wrangler "Laredo"
- M 4,001 - 5,000 Wrangler (All Models)
- N 5,001 - 6,000 Grand Wagoneer
- P Comanche "Pioneer" (Std Payload)
- R Comanche "Pioneer" (Metric Ton)
- S Comanche "Chief" (Std Payload)
- T Comanche "Laredo" (Std Payload)
- U Comanche "Laredo" (Metric Ton)
- U 6,001 - 7,000 Grand Wagoneer
- 1 4,001 - 5,000 Cherokee, Wagoneer "Base"
- 1 Comanche "Base" (Std Payload)
- 1 4,001 - 5,000 Wrangler "Base"
- 2 4,001 - 5,000 Cherokee "Pioneer"
- 3 4,001 - 5,000 Cherokee "Chief"
- 3 4,001 - 5,000 Wrangler "Sport"
- 4 4,001 - 5,000 Cherokee "Laredo"
- 4 4,001 - 5,000 Wagoneer "Limited"
- 4 4,001 - 5,000 Wrangler "Laredo"

9th Position - CHECK DIGIT

10th Position - MODEL YEAR

- J 1988
- K 1989

11th Position - ASSEMBLY PLANT

12th thru 17th Positions - SEQUENCE NUMBER

A sequential number assigned by the manufacturer.

1990 JEEP

1st Position - COUNTRY

- 1 US
- 2 Canada

2nd Position - MANUFACTURER

- B Jeep Canada
- J Jeep U.S.A.

3rd Position - TYPE

- 4 MPV
- 7 Truck
- 6 Incomplete Vehicle

4th Position - GVWR

- E 3001 - 4000 GVW
- F 4001 - 5000 GVW
- G 5001 - 6000 GVW
- H 6001 - 7000 GVW

5th Position - LINE

- J Cherokee or Comanche - 4WD
- N Wagoneer - 4WD
- T Cherokee or Comanche - 2WD
- S Grand Wagoneer - 4WD
- Y Wrangler - 4WD

6th Position - SERIES/TRANSMISSION

- 1 "S"
- 2 Base
- 3 Pioneer/Islander
- 4 Sahara
- 5 Laredo/Grand
- 6 Eliminator
- 7 Limited

7th Position - BODY

- 6 Truck
- 7 2 Door Sport Utility
- 8 4 Door Sport Utility
- 9 Open Body

1990 JEEP (Cont.)

8th Position - ENGINE TYPE

D 2.5 Litre, I-4
E 2.5 Litre, I-6
L 4.0 Litre, I-6
M 4.2 Litre, I-6
T 4.2 Litre, I-6
7 5.9 Litre, V-8

9th Position - CHECK DIGIT

10th Position - MODEL YEAR
L 1990

11th Position - ASSEMBLY PLANT

J Brampton
L Toledo #1
P Toledo #2

12th thru 17th Position - SEQUENCE

A sequential number assigned by the manufacturer.

1991-99 JEEP

1st Position - COUNTRY

1 US
2 Canada

2nd Position - MANUFACTURER

J Jeep

3rd Position - TYPE

4 MPV
7 Truck
6 Incomplete Vehicle

4th Position - GVWR

E 3001 - 4000 GVW
F 4001 - 5000 GVW
G 5001 - 6000 GVW
H 6001 - 7000 GVW

5th Position - LINE

2,7 Grand Cherokee - 2WD
J Cherokee or Comanche - 4WD
N Cherokee Briarwood
S Grand Wagoneer
T Cherokee or Comanche - 2WD
W Grand Cherokee - 4WD
X Grand Cherokee - 2WD
Y Wrangler - 4WD
Z Grand Cherokee - 4WD

6th Position - SERIES/TRANSMISSION

1 "S"
2 Base
3 Pioneer/Islander
4 Sahara
5 Renegade/Grand/Laredo
6 Eliminator/Sport
7 Briarwood/Limited
8 Grand Wagoneer

7th Position - BODY

6 Truck
7 2 Door Sport Utility
8 4 Door Sport Utility
9 Open Body

8th Position - ENGINE TYPE

N 4.7 Litre, V-8
P 2.5 Litre, I-4
S 4.0 Litre, I-6
Y 5.2 Litre, V-8
7 5.9 Litre, V-8

9th Position - CHECK DIGIT

10th Position - MODEL YEAR
M 1991 R 1994 V 1997
N 1992 S 1995 W 1998
P 1993 T 1996 X 1999

11th Position - ASSEMBLY PLANT

C Jefferson
J Brampton
L Toledo #1
P Toledo #2

12th thru 17th Position - SEQUENCE

A sequential number assigned by the manufacturer.

2000-05 JEEP

1st Position - COUNTRY

1 US
2 Canada

2nd Position - MANUFACTURER

B Jeep Canada
J Jeep USA

3rd Position - TYPE

4 MPV

4th Position - GVWR

E 3001 - 4000 GVW
F 4001 - 5000 GVW
G 5001 - 6000 GVW

5th Position - LINE

2 Grand Cherokee - 2WD LHD
4 Wrangler - 4WD RHD
7 Grand Cherokee - 2WD RHD
8 Grand Cherokee - 4WD RHD
A Wrangler - 4WD LHD
B Cherokee - 2WD RHD
C Grand Cherokee - 4x4 LHD
D Grand Cherokee - 4x4 RHD
F Cherokee - 4WD LHD
J Cherokee - 4WD RHD
K Liberty - 4X2 LHD
L Liberty - 4X4 LHD
N Cherokee - 4WD RHD
R Grand Cherokee - 4x4
S Grand Cherokee - 4x2
T Cherokee - 2WD LHD
W Grand Cherokee - 4WD LHD

6th Position - SERIES/TRANSMISSION

Cherokee, Liberty
2 SE
3 Renegade
4 Sport
5 Classic
6 Limited
7 Country
Grand Cherokee
4 Laredo
5 Limited
6 Overland
E 5 Speed Auto
Wrangler
2 SE
3 X
4 Sport
5 Sahara
6 Rubicon

7th Position - BODY

7 2 Door Sport Utility
8 4 Door Sport Utility
9 Open Body

8th Position - ENGINE TYPE

J 4.7 Litre V-8 P 2.5 Litre, I-4
K 3.7 Litre, V-6 S 4.0 Litre, I-6
N 4.7 Litre, V-8 1 2.4 Litre I-4

9th Position - CHECK DIGIT

10th Position - MODEL YEAR
Y - 2000 2 - 2002 4 - 2004
1 - 2001 3 - 2003 5 - 2005

11th Position - ASSEMBLY PLANT

C Jefferson
L Toledo #1
Y Steyer Assembly

12th thru 17th Position - SEQUENCE

A sequential number assigned by the manufacturer.

2006-07 JEEP

1st Position - COUNTRY

1 Manufactured by Daimler Chrysler Corporation

2nd Position - MANUFACTURER/MAKE

J Jeep

3rd Position - TYPE

4 MPV w/o Side Air Bags
8 MPV w/Side Air Bags

4th Position - GVWR

E 3001 - 4000 GVW
F 4001 - 5000 GVW
G 5001 - 6000 GVW
H 6001 - 7000 GVW

5th Position - LINE

A Wrangler - 4WD LHD
B Wrangler 4x2 LHD
C Grand Cherokee - 4x4 LHD Vehicle Line (WH)
D Grand Cherokee - 4x4 RHD Vehicle Line (WH)
E Wrangler 4x4 RHD
F Compass, Patriot LHD (AWD)
G Commander 4x4 LHD Vehicle Line (XK)
H Commander 4x2 LHD Vehicle Line (XK)
J Cherokee - 4WD RHD
K Liberty - 4X2 LHD
L Liberty - 4X4 LHD w/o ABB
R Grand Cherokee - 4x4 Vehicle Line (WK)
S Grand Cherokee - 4x2 Vehicle Line (WK)
T Compass, Patriot LHD (FWD)
1 Grand Cherokee, Commander 4x4 RHD Vehicle Line (XH)
3 Grand Cherokee, Commander 4x4 LHD Vehicle Line (XH)
4 Wrangler 4x4 (RHD)
7 Compass, Patriot RHD (AWD)

6th Position - SERIES/TRANSMISSION

B 4 Spd Auto
C 6 Spd Std
E 5 Spd Auto
F Continuously Variable
G Continuously Variable Off Road Crawl
N 5 Spd Std
2 Compass, Patriot, Wrangler, L (Low Line)
3 Wrangler M (Medium)
3 Liberty/Renegade
4 Commander, Liberty Sport, Cherokee Sport
4 Compass, Liberty, Patriot, Wrangler H (High Line)
5 Commander Limited, Cherokee Limited
5 Premium
6 Sport
7 Special
7 Compass, Patriot RHD (AWD)

7th Position - BODY STYLE

4 Extended Open Body
7 Hatchback Tall
8 4 Dr Sport Utility
9 Open Body

8th Position - ENGINE TYPE

K 3.7 L V-6 MPI Gas
M 3.0 L V6 Turbo Diesel
N 4.7 L V-8 MPI Gas
S 4.0 L, I6 Gas
W 2.4 L I4 SFI Gas
0 2.0 L I4 SFI Gas
1 2.4 L I4 MPI Gas
2 5.7 L V8 Hemi Multiple Displacement Gas
3 6.1 L V8 SRT Hemi SMPI Gas
5 2.8 L I4 Diesel

9th Position - CHECK DIGIT

10th Position - MODEL YEAR
6 - 2006 7 - 2007

11th Position - ASSEMBLY PLANT

C Jefferson North Assembly
D Belvidere Assembly
L Toledo South Assembly
P Toledo #2
W Toledo North Assembly Plant
Y Chrysler Steyer Assembly

12th thru 17th Position - SEQUENCE NUMBER

A sequential number assigned by the manufacturer.

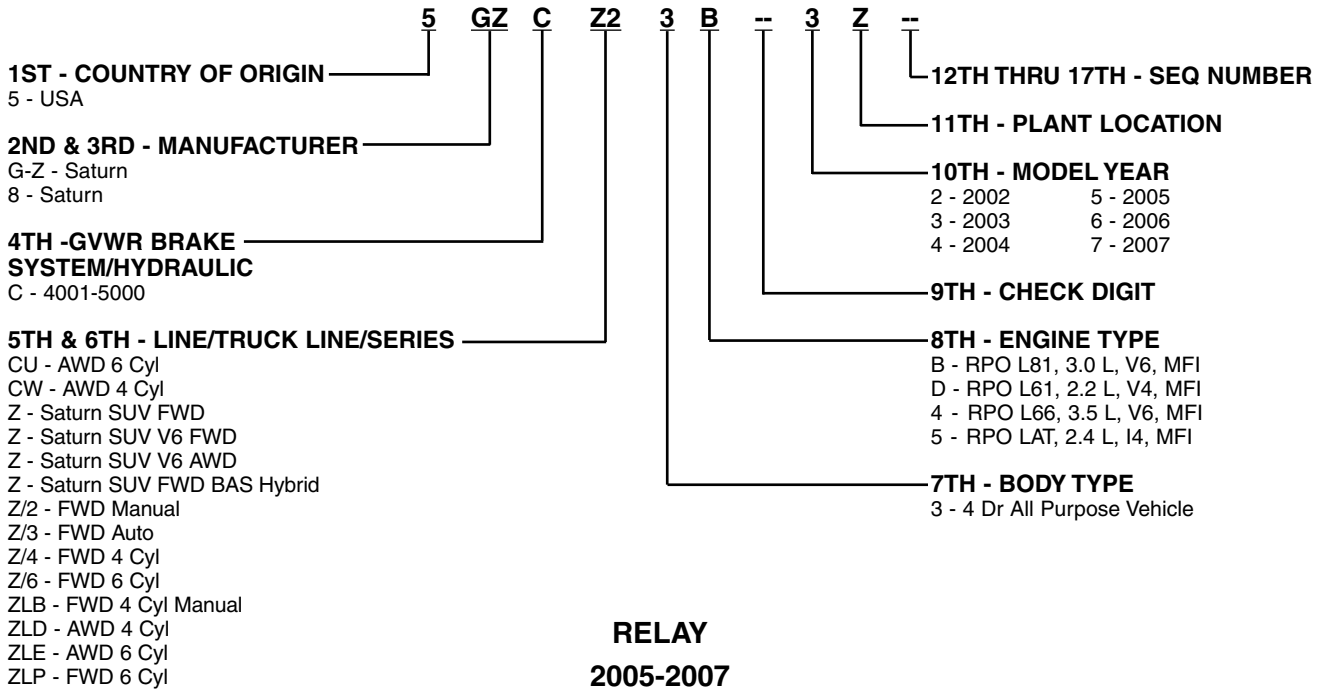
SATURN

IDENTIFICATION NUMBER OR PLATE LOCATION

Identification number is located on upper left side of dash panel, visible through windshield.

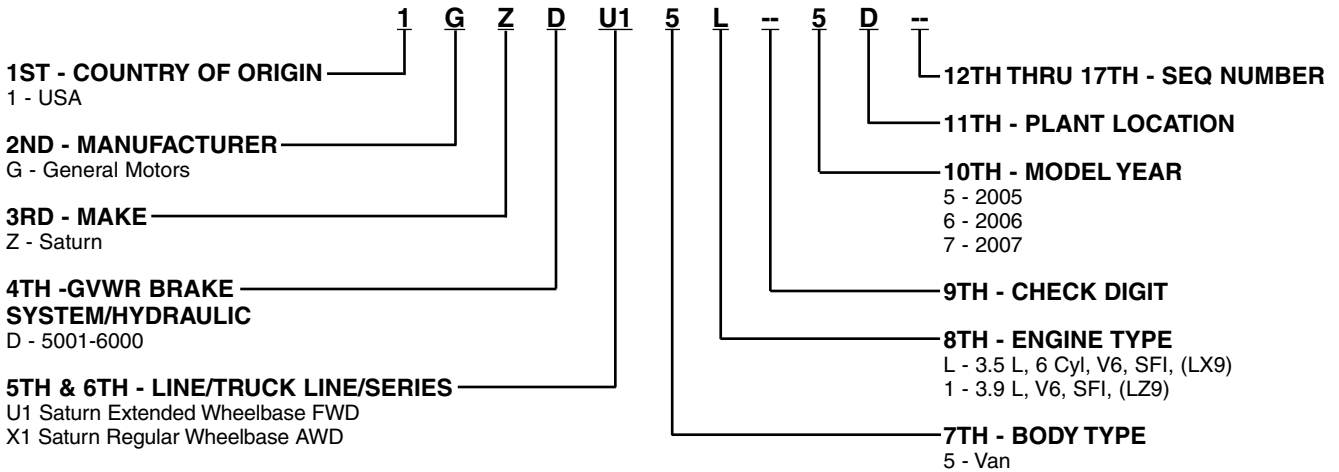
VUE

2002-2007



RELAY

2005-2007



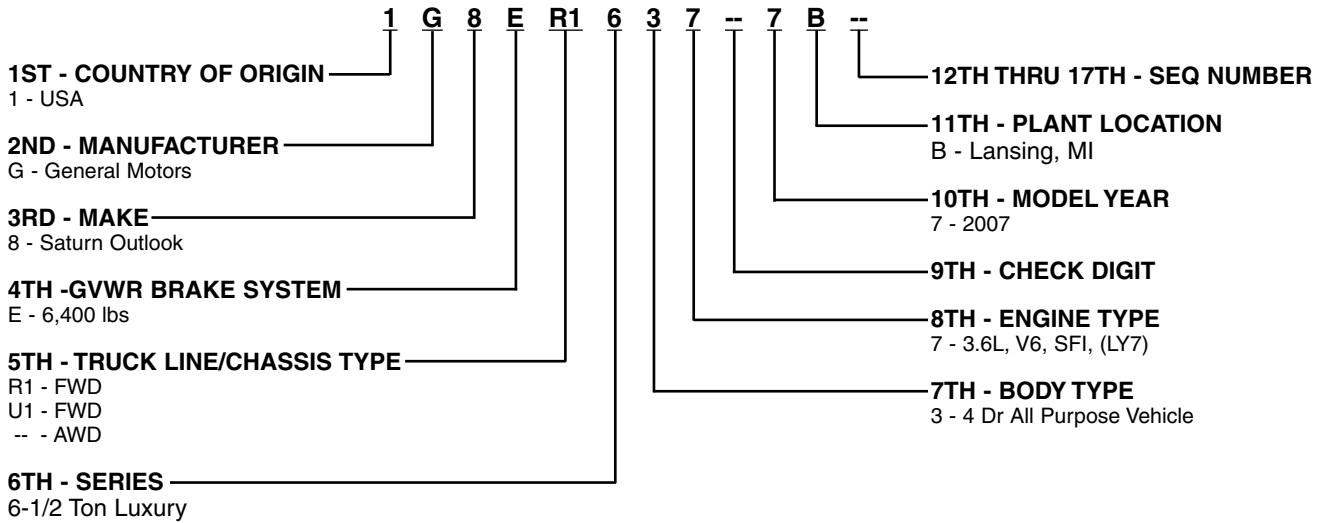
SATURN

IDENTIFICATION NUMBER OR PLATE LOCATION

Identification number is located on upper left side of dash panel, visible through windshield.

OUTLOOK

2007



ENGINE IDENTIFICATION NUMBER LOCATION

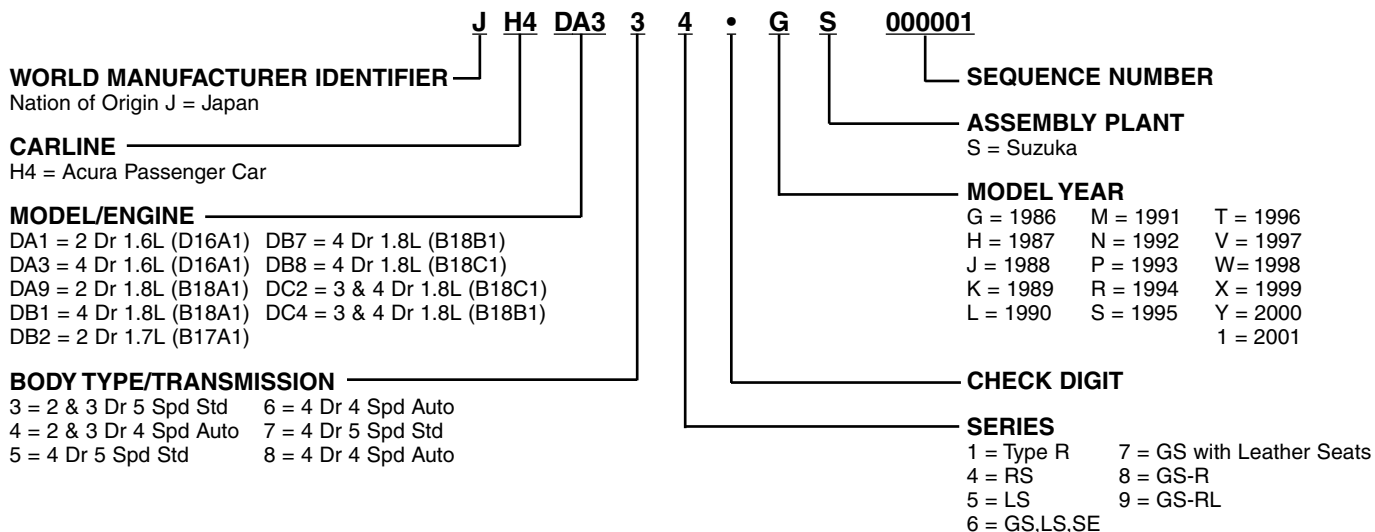
Four - Engine number consists of five digits and is stamped on the left side of cylinder block.
VG - N.A.

IDENTIFICATION

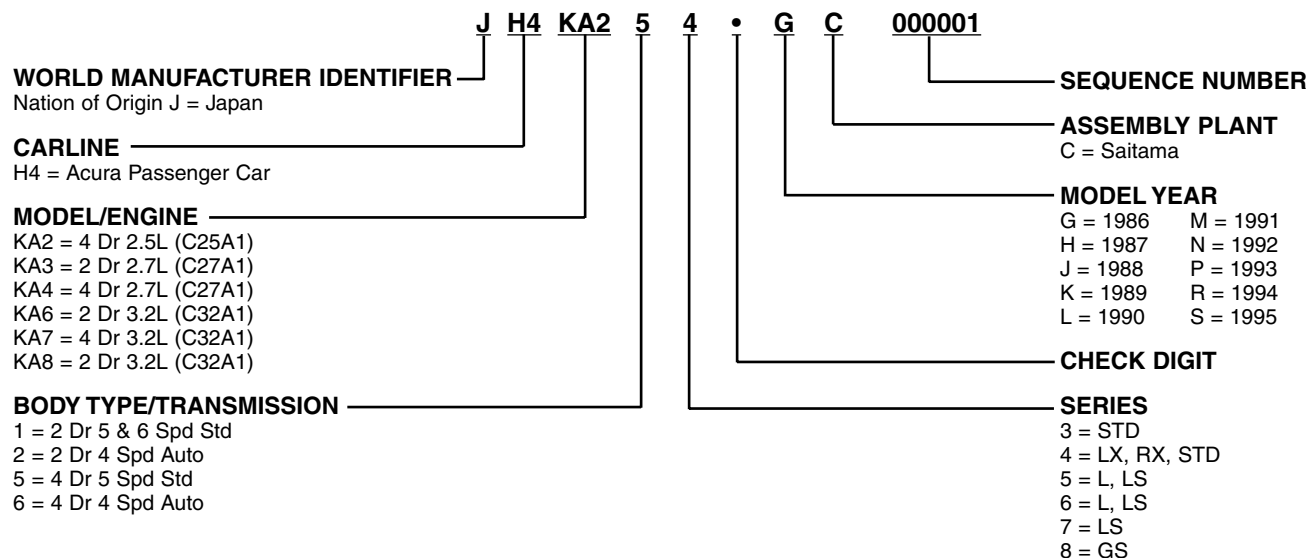
IDENTIFICATION NUMBER OR PLATE LOCATION

Identification number is located on upper left side of dash panel, visible through windshield.

INTEGRA 1986-2001



LEGEND 1986-95



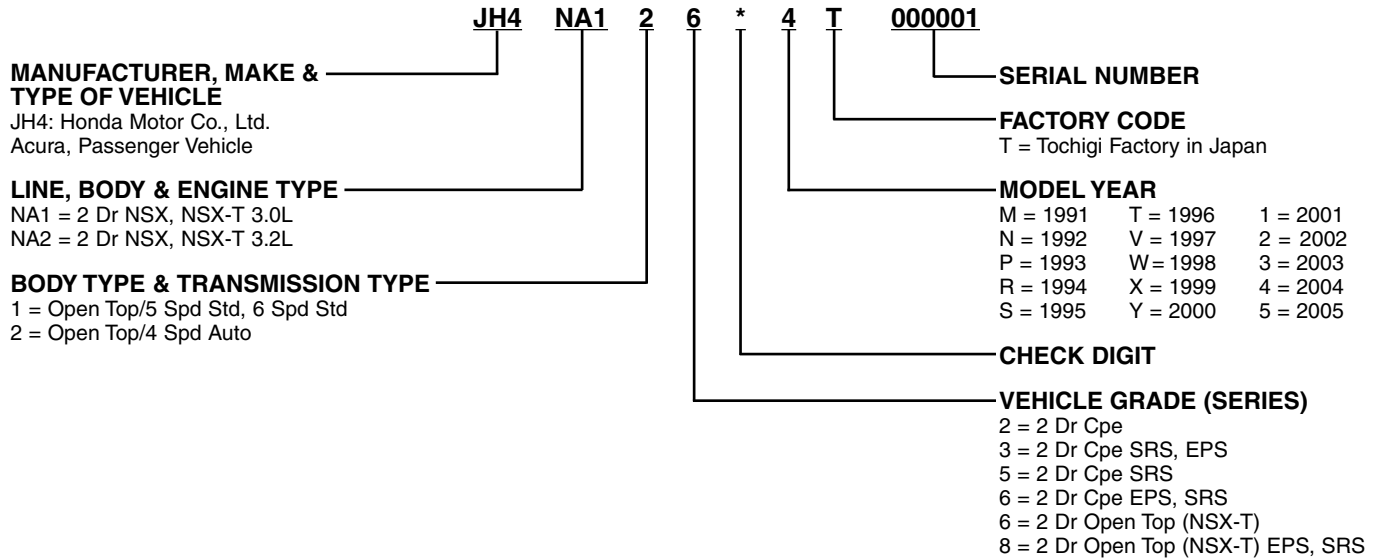
IDENTIFICATION

IDENTIFICATION NUMBER OR PLATE LOCATION

Identification number is located on upper left side of dash panel, visible through windshield.

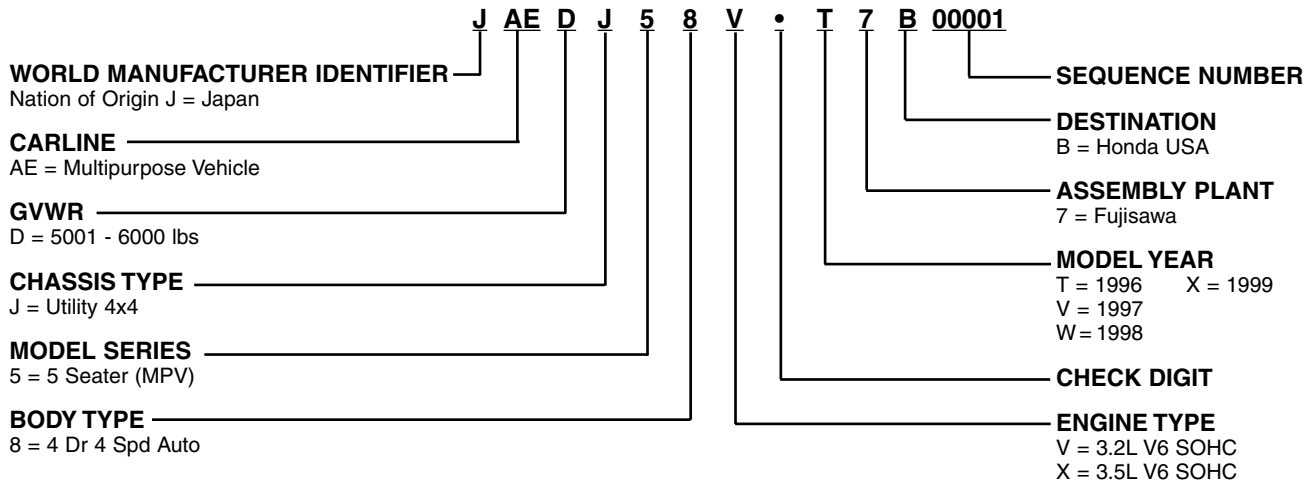
NSX, NSX-T

1991-2005



SLX

1996-99



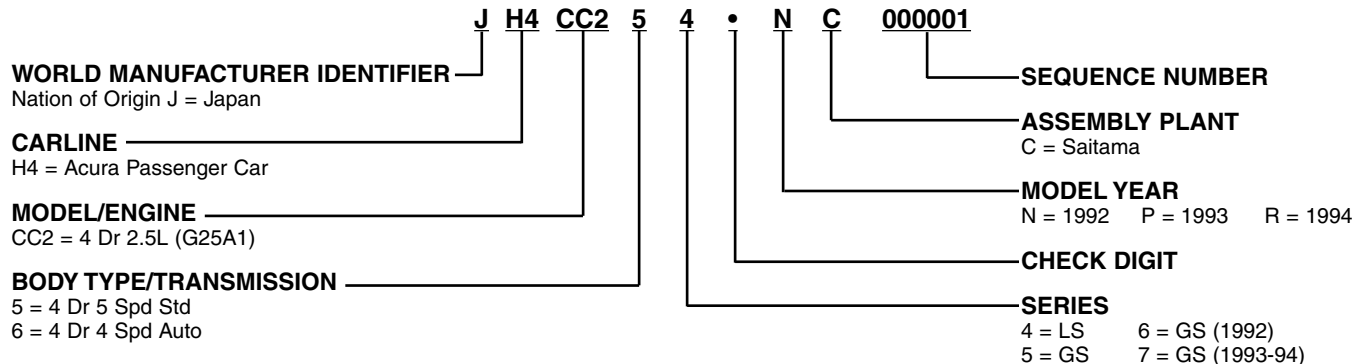
IDENTIFICATION

IDENTIFICATION NUMBER OR PLATE LOCATION

Identification number is located on upper left side of dash panel, visible through windshield.

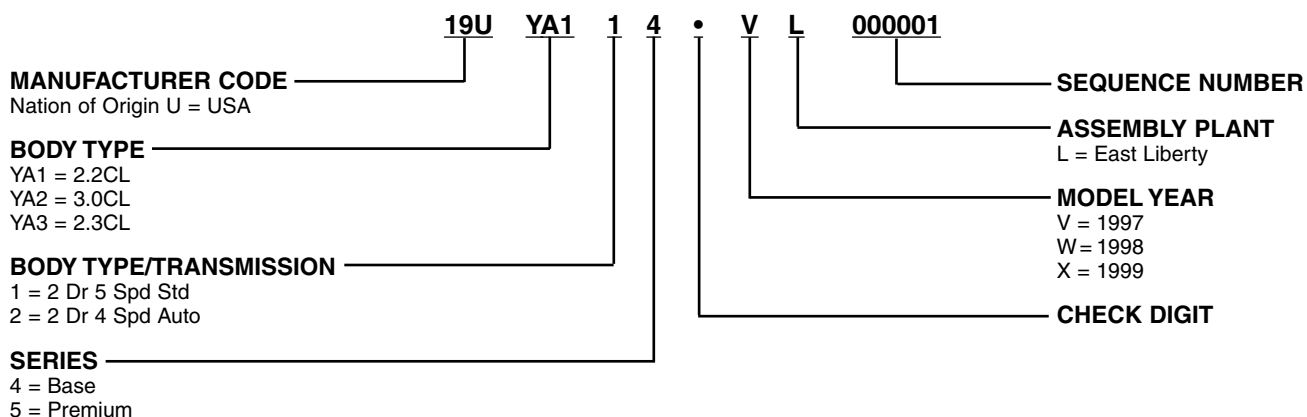
VIGOR

1992-94



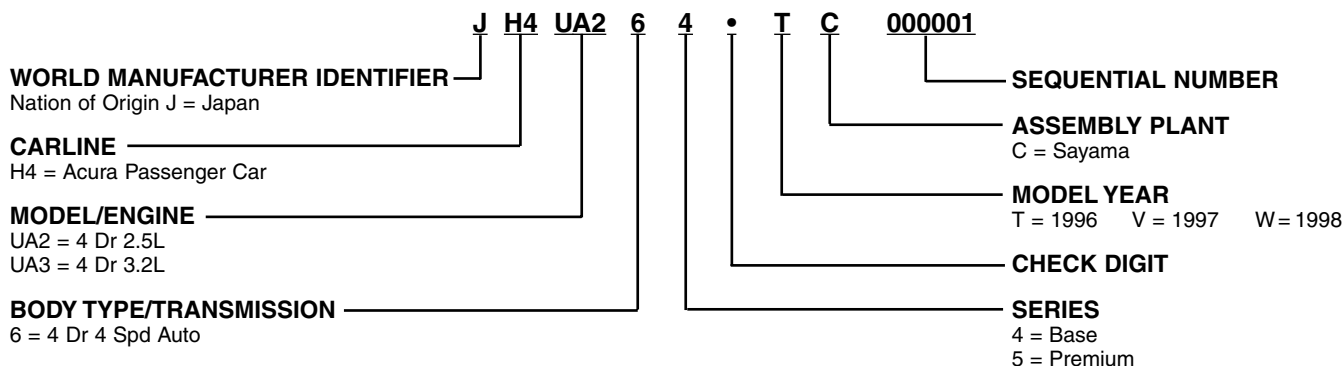
2.2CL, 2.3CL, 3.0CL

1997-99



2.5TL, 3.2TL

1996-98

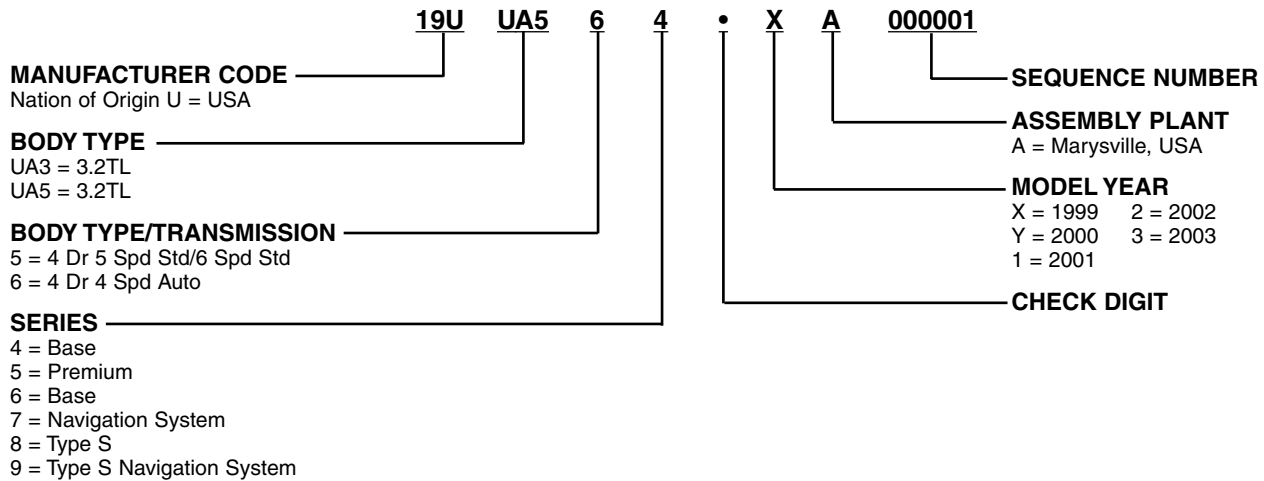


IDENTIFICATION

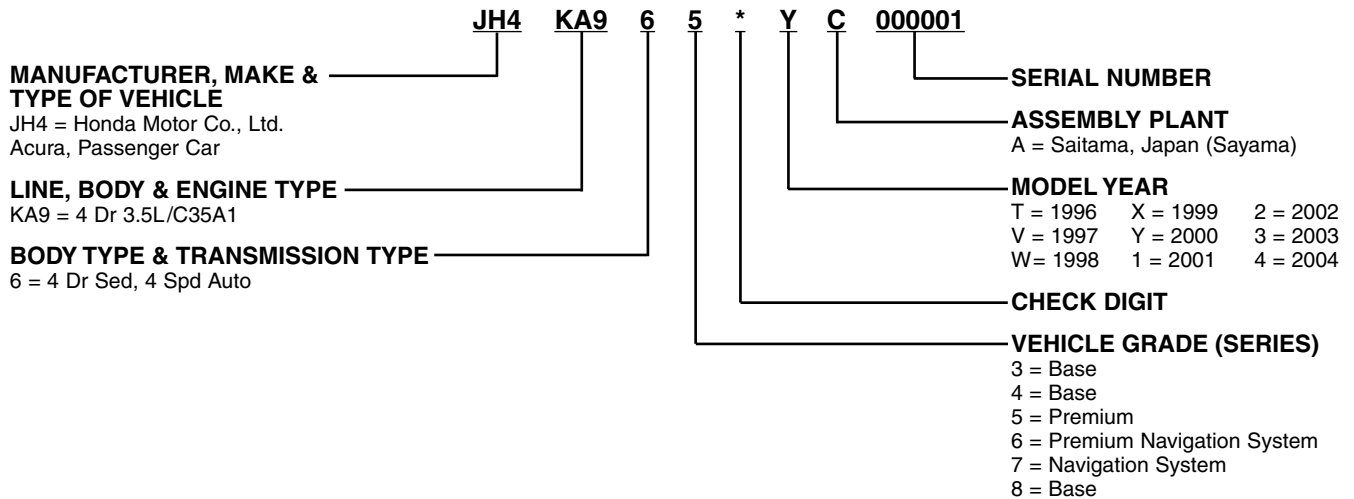
IDENTIFICATION NUMBER OR PLATE LOCATION

Identification number is located on upper left side of dash panel, visible through windshield.

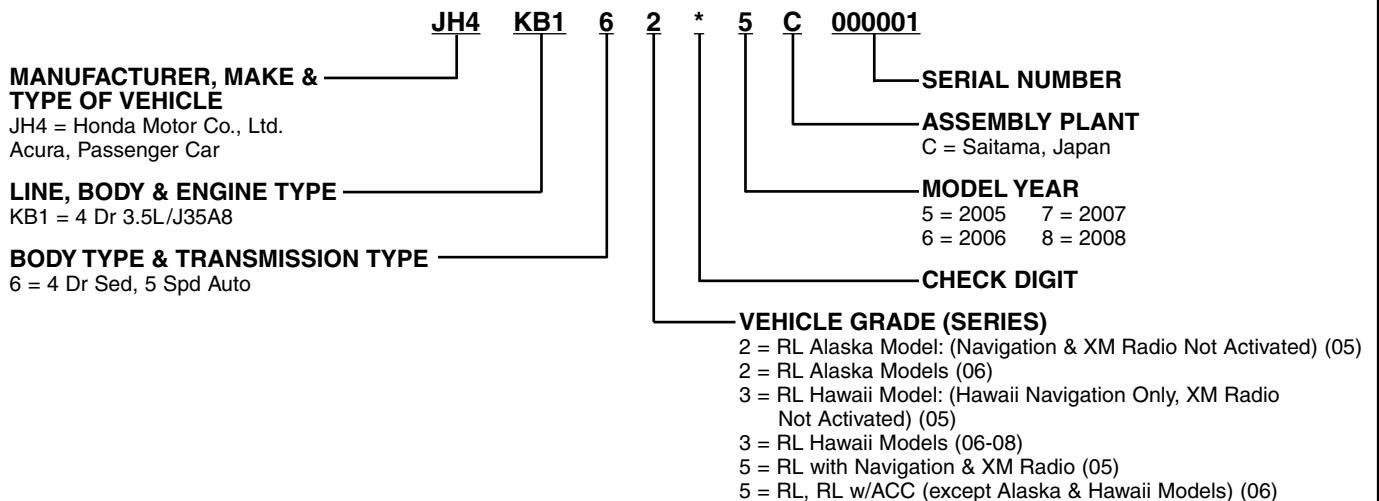
3.2TL 1999-2003



3.5RL 1996-2004



RL 2005-2008



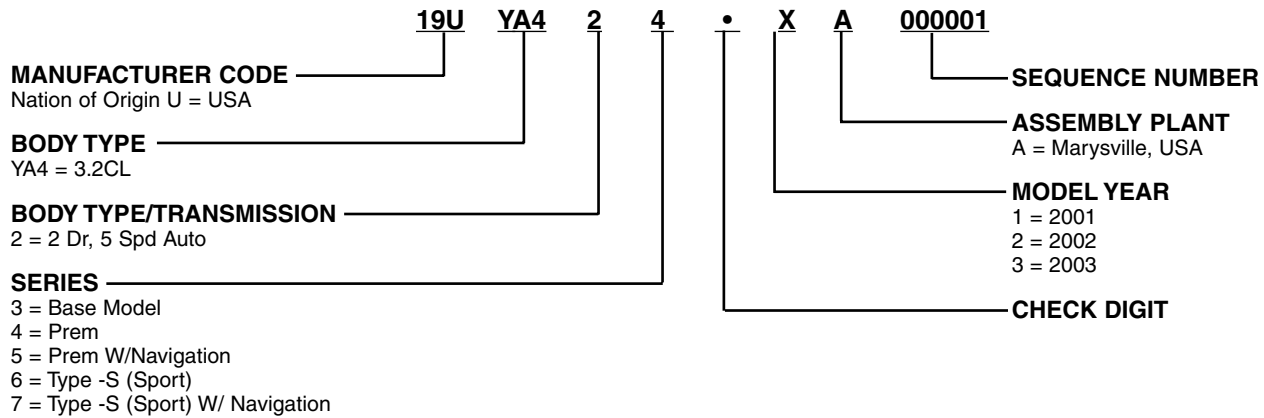
IDENTIFICATION

IDENTIFICATION NUMBER OR PLATE LOCATION

Identification number is located on upper left side of dash panel, visible through windshield.

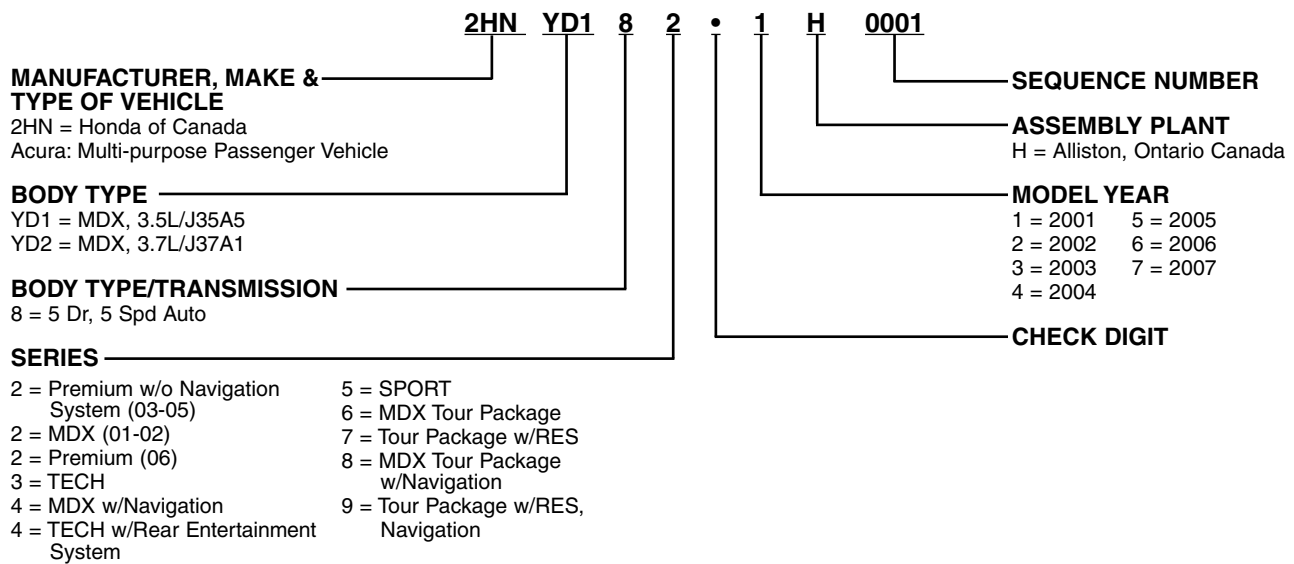
3.2CL

2001 - 2003



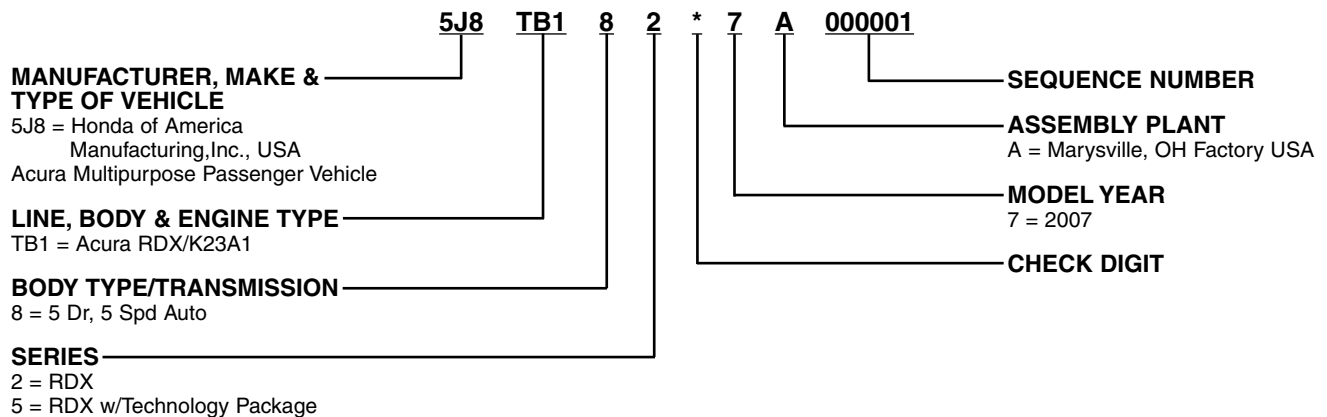
MDX

2001 - 2007



RDX

2007



IDENTIFICATION

IDENTIFICATION NUMBER OR PLATE LOCATION

Identification number is located on upper left side of dash panel, visible through windshield.

RSX
2002 - 2006

JH4 DC5 3 0 • 2 C 0001

MANUFACTURER, MAKE & TYPE OF VEHICLE

JH4 = Honda Motor Co., Ltd.
Acura Passenger Vehicle

LINE, BODY & ENGINE TYPE

DC5 = Acura RSX/K20A2, K20A3 (02-04)
DC5 = Acura RSX/K20Z1, K20A3 (05-06)

BODY TYPE/TRANSMISSION

3 = 2 Dr/5 Speed Std
2 Dr/6 Speed Std
4 = 2 Dr/5 Speed Auto

SERIES

0 = Type S
8 = Base

SEQUENCE NUMBER

ASSEMBLY PLANT

C = Saitama, Japan
S = Suzuka, Japan

MODEL YEAR

2 = 2002
3 = 2003
4 = 2004
5 = 2005
6 = 2006

CHECK DIGIT

TL

2004 - 2006

19U UA6 5 5 * 4 A 000001

MANUFACTURER, MAKE & TYPE OF VEHICLE

19U = Honda of America Mfg., Inc., USA
Acura Passenger Vehicle

LINE, BODY & ENGINE TYPE

UA6 = Acura TL/J32A3
UA7 = Acura TL/35A8

BODY TYPE & TRANSMISSION TYPE

5 = 4 Dr Sedan 6 Spd Std
6 = 4 Dr Sedan 5 Spd Auto

SERIAL NUMBER

ASSEMBLY PLANT

A = Marysville, Ohio USA

MODEL YEAR

4 = 2004
5 = 2005
6 = 2006
7 = 2007

CHECK DIGIT

VEHICLE GRADE (SERIES)

2 = TL w/5 Spd Auto
5 = TL w/6 Spd Std
5 = TL Type-S w/5 Spd Auto (07)
6 = TL w/6 Spd Std &
Hi-Performance Summer Tire
6 = TL Type-S w/6 Spd Std (07)

TSX

2004-2008

JH4 CL9 5 8 * 4 C 000001

MANUFACTURER, MAKE & TYPE OF VEHICLE

JH4 = Honda Motor Co., Ltd.
Acura, Passenger Car

LINE, BODY & ENGINE TYPE

CL9 = Acura TSX/K24A2

BODY TYPE & TRANSMISSION TYPE

5 = 4 Dr Sedan 6 Spd Std
6 = 4 Dr Sedan 5 Spd Auto

SERIAL NUMBER

ASSEMBLY PLANT

C = Saitama, Japan

MODEL YEAR

4 = 2004 7 = 2007
5 = 2005 8 = 2008
6 = 2006

CHECK DIGIT

VEHICLE GRADE (SERIES)

8 = TSX
9 = TSX with Navigation System

IDENTIFICATION

ALFA ROMEO

ALFA ROMEO

LOCATION: The Vehicle Identification Number (VIN) is located on the upper left side of dash panel visible through windshield.

1973-82

Information not available.

1983-95

Z AR DA5582 2 L 1 001953

MANUFACTURE COUNTRY

Z = Italy

MAKE

AR = Alfa Romeo

MODEL

- AA669 = GTV6, 2.5L Eng Man Trans
- BA541 = 83-87 Spider Veloce
- 85-87 Graduate
- 86-87 Quadrifoglio
- BB32N = 91-94 Spider Veloce (Federal) Man Trans
- BB42G = 91-92 Spider (Calif) Auto Trans
- BB43G = 92-93 Spider Base Auto Trans
- BB42N = 91-92 Spider (Calif) Std Trans
- BB32G = 91-94 Spider (Federal) Man Trans
- BC556 = 88-90 Quadrifoglio
- BC558 = 88-90 Spider Veloce
- BA564 = 88-90 Graduate
- DA114 = Milano Silver Sedan
- DA116 = Milano Gold Sedan
- 87 Milano Silver Sedan
- 87 Milano Platinum Sedan
- DA124 = 88-89 Milano Verde Sedan
- DA136 = 87 Milano Verde Sedan
- 88-89 Milano Platinum Sedan
- DA138 = Milano Silver
- DB140 = Milano Gold
- DB142 = Milano Platinum
- EA33A = 91-93 164 Base Man Trans
- EA43A = 91-93 164 Base Auto Trans
- EA33L = 91-93 164 Luxury Man Trans
- EA43L = 91-93 164 Luxury Auto Trans
- EA33E = 91-93 164 Sport Man Trans
- ED33A = 94 164 Base Man Trans
- ED33E = 94-95 164S Luxury Man Trans
- ED33R = 94-95 164 Sport Man Trans
- ED34E = 94 164S Luxury Auto Trans
- ED43A = 94 164 Base Auto Trans
- ED43E = 95 164S Luxury Auto Trans

SEQUENCE NUMBER

ASSEMBLY PLANT

- 1 = Arese
- 2 = Naples

YEAR

- D = 1983 L = 1990
- E = 1984 M = 1991
- F = 1985 N = 1992
- G = 1986 P = 1993
- H = 1987 R = 1994
- J = 1988 S = 1995
- K = 1989

CHECK DIGIT

IDENTIFICATION

**AUDI
IDENTIFICATION NUMBER OR PLATE LOCATION**

Identification number is located on top of the instrument panel (driver's side) or in the engine compartment firewall above the windshield washer container and on the right side of the water drain tray for 100 series.

MODEL REFERENCE

YEAR & MODEL	CHASSIS NUMBER	YEAR & MODEL	CHASSIS NUMBER
1973 Fox 100 Series	32000001 thru 32198264 31000001 thru 31157161	1987 Coupe 4000 4000 Quattro 5000, 5000 Quattro	85H000001 & Up 81H000001 & Up 85H000001 & Up 44H000001 & Up
1974 Fox 100 Series	42025143 thru 42202220 41000051 thru 41125174	1988 80,80 Quattro 90,90 Quattro 5000,5000 Quattro	89J000001 & Up 89J000001 & Up 44J000001 & Up
1975 Fox 100 Series	52019054 thru 52905755 51000081 thru 51082104	1989 80,80 Quattro 90,90 Quattro 100,100 Quattro 200,200 Quattro	89K000001 & Up 89K000001 & Up 44K000001 & Up 44K000001 & Up
1976 Fox 100 Series	62014185 thru 62908444 61000051 thru 61077763	1990 Coupe Quattro V8 Quattro 80,80 Quattro 90,90 Quattro 100,100 Quattro 200,200 Quattro	8BL000001 & Up 44L000001 & Up 8AL000001 & Up 8AL000001 & Up 44L000001 & Up 44L000001 & Up
1977 Fox 100 Series	72000001 thru 72902367 71000051 thru 71006350	1991 Coupe Quattro V8 Quattro 80,80 Quattro 90,90 Quattro 100,100 Quattro 200,200 Quattro	8BM000001 & Up 44M000001 & Up 8AM000001 & Up 8AM000001 & Up 44M000001 & Up 44M000001 & Up
1978 Fox 5000	82000001 thru 82903669 4382000001 & Up	1992 V8 Quattro S4 80, 80 Quattro 100, 100 Quattro	4CN000001 & Up 4AN000001 & Up 8AN000001 & Up 4AN000001 & Up
1979 Fox 5000	92000001 thru 92900956 4392000001 & Up	1993 V8 Quattro S4 90, 90 Quattro 100, 100 Quattro	4CP000001 & Up 4AP000001 & Up 8CP000001 & Up 4AP000001 & Up
1980 4000 Sed 5000	81A0000001 & Up 43A0000001 & Up	1994 Cabriolet V8 Quattro S4 90, 90 Quattro 100, 100 Quattro	8GR015001 & Up 4CR000001 & Up 4AR000001 & Up 8CR000001 & Up 4AR000001 & Up
1981 Coupe 4000 Sed 5000	85B000001 & Up 81B000001 & Up 43B000001 & Up	1995 A6, A6 Quattro Cabriolet S6 90, 90 Quattro	4AS000001 & Up 8GS000001 & Up 4AS000001 & Up 8CS000001 & Up
1982 Coupe 4000 5000	85C013211 & Up 81C000001 & Up 43C000001 & Up	1996 A4, A4 Quattro A6, A6 Quattro Cabriolet	8DT000001 & Up 4AT000001 & Up 8GT000001 & Up
1983 Coupe 4000 5000	85D9019464 & Up 81D000001 & Up 43D000001 & Up		
1984 Coupe 4000 5000	85E007059 & Up 81E000001 & Up 44E000001 & Up		
1985 Coupe 4000 4000 Quattro 5000	85F000001 & Up 81F000001 & Up 85F000001 & Up 44F000001 & Up		
1986 Coupe 4000 4000 Quattro 5000, 5000 Turbo Quattro	85G000001 & Up 81G000001 & Up 85G000001 & Up 44G000001 & Up		

IDENTIFICATION

YEAR & MODEL	CHASSIS NUMBER
1997	
A4, A4 Quattro	8DV000001 & Up
A6, A6 Quattro	4AV000001 & Up
A8, A8 Quattro	4DV000001 & Up
Cabriolet	8GV000001 & Up
1998	
A4, A4 Quattro	8DW000001 & Up
A6, A6 Quattro	4BW000001 & Up
A8, A8 Quattro	4DW000001 & Up
Cabriolet	8GW000001 & Up
1999	
A4, A4 Quattro	8DX000001 & Up
A6, A6 Quattro	4BX000001 & Up
A8, A8 Quattro	4DX000001 & Up
2000	
A4, A4 Quattro	8DY000001 & Up
A6, A6 Quattro	4BY000001 & Up
A8, A8 Quattro	4DY000001 & Up
S4 Quattro	8DY000001 & Up
TT, TT Quattro	8NY000001 & Up
2001	
A4, A4 Quattro	8D1000001 & Up
A6, A6 Quattro	4B1000001 & Up
A8, A8 Quattro	4D1000001 & Up
S4 Quattro	8D1000001 & Up
S8	4D1000001 + Up
TT, TT Quattro	8N1000001 & Up
Allroad Quattro	4B1000001 & Up
2002-2003	
A4, A4 Quattro	N.A.
A6, A6 Quattro	4B2000001 & Up
A8 Quattro	4D2000001 & Up
S4 Quattro	N.A.
S6 Quattro	4B2000001 & Up
S8 Quattro	4D2000001 & Up
TT, TT Quattro	8N2000001 & Up
Allroad Quattro	4B2000001 & Up

IDENTIFICATION

IDENTIFICATION NUMBER OR PLATE LOCATION

Fox - Code is on the left side of the engine block above the fuel pump.

Coupe, 4000, 4000 Quattro, 5000, 5000 Turbo Quattro - Code is on the left side of the engine block near the distributor.

100 Series - Code is on the rear of the engine block near the firewall.

YEAR & MODEL	ENGINE TYPE	ENGINE NUMBER
1973		
Fox		
Std Trans	Four 89.7 C.I. (1471cc)	ZD002006 thru ZD002049
Auto Trans	Four 89.7 C.I. (1471cc)	ZE002005 thru ZE002023
100 Series		
Std Trans	Four 114.2 C.I. (1871cc)	ZL017975 thru ZL026471
Auto Trans	Four 114.2 C.I. (1871cc)	ZW000001 thru ZW024039
1974		
Fox		
Std Trans		
w/Calif E.C.S.	Four 89.7 C.I. (1471cc)	XZ000057 thru XZ009779
w/o Calif E.C.S.	Four 89.7 C.I. (1471cc)	XW000090 thru XW027405
Auto Trans		
w/Calif E.C.S.	Four 89.7 C.I. (1471cc)	XY000052 thru XY009746
w/o Calif E.C.S.	Four 89.7 C.I. (1471cc)	XV000123 thru XY009746
100 Series		
Std Trans		
w/Calif E.C.S.	Four 114.2 C.I. (1871cc)	XT Series
w/o Calif E.C.S.	Four 114.2 C.I. (1871cc)	ZG Series
Auto Trans		
w/Calif E.C.S.	Four 114.2 C.I. (1871cc)	XU Series
w/o Calif E.C.S.	Four 114.2 C.I. (1871cc)	ZH Series
1975		
Fox		
Std Trans	Four 97 C.I. (1588cc)	YG006311 thru YG014198
Auto Trans	Four 97 C.I. (1588cc)	YH005037 thru YH011697
100 Series		
Std Trans		
w/Calif E.C.S.	Four 114.2 C.I. (1871cc)	YC Series
w/o Calif E.C.S.	Four 114.2 C.I. (1871cc)	YA Series
Auto Trans		
w/Calif E.C.S.	Four 114.2 C.I. (1871cc)	YD Series
w/o Calif E.C.S.	Four 114.2 C.I. (1871cc)	YB Series
1976		
Fox		
w/Calif E.C.S.	Four 97 C.I. (1588cc)	YK002184 thru YK029375
w/o Calif E.C.S.		
Std Trans	Four 97 C.I. (1588cc)	YG015648 thru YG018618
Auto Trans	Four 97 C.I. (1588cc)	YH013419 thru YH035452
100 Series	Four 114.2 C.I. (1871cc)	N.A.
100 Series	Four 114.2 C.I. (1871cc)	N.A.
1977		
Fox		
Std Trans	Four 97 C.I. (1588cc)	YG033719 thru YG047699
Auto Trans	Four 97 C.I. (1588cc)	YH035752 thru YH058635
100 Series	Four 114.2 C.I. (1871cc)	N.A.
1978		
Fox		
Std Trans	Four 97 C.I. (1588cc)	YG054644 thru YG087708
Auto Trans	Four 97 C.I. (1588cc)	YH058867 thru YH084858
5000		
w/Calif E.C.S.	Five 130.8 C.I. (2144cc)	WE003748 thru WE014504
w/o Calif E.C.S.	Five 130.8 C.I. (2144cc)	WD000646 thru WD018546

IDENTIFICATION

YEAR & MODEL	ENGINE TYPE	ENGINE NUMBER
1979		
Fox		
Std Trans	Four 97 C.I. (1588cc)	YG087788 thru YG090831
Auto Trans	Four 97 C.I. (1588cc)	YH084034 thru YH090040
5000		
Diesel	Five 121.2 C.I. (1986cc)	CN008518 thru CN022321
Gas		
w/Calif E.C.S.	Five 130.8 C.I. (2144cc)	WE014505 thru WE025221
w/o Calif E.C.S.	Five 130.8 C.I. (2144cc)	WD018547 thru WD039459
1980		
4000	Four 97 C.I. (1588cc)	N.A.
	Five 130.8 C.I. (2144cc)	WE000001 thru WE034428
5000		
Diesel	Five 121.2 C.I. (1986cc)	CN022322 thru CN050530
Gas		
w/Turbocharger	Five 130.8 C.I. (2144cc)	WK000001 thru WK004645
w/o Turbocharger		
w/Calif E.C.S.	Five 130.8 C.I. (2144cc)	WE025222 thru WE039428
w/o Calif E.C.S.	Five 130.8 C.I. (2144cc)	WD039460 thru WD053263
1981		
Coupe	Five 130.8 C.I. (2144cc)	WE039429 & Up
4000 Sed	Four 105 C.I. (1715cc)	WT000001 & Up
	Five 130.8 C.I. (2144cc)	WE039429 & Up
5000		
Diesel	Five 121.2 C.I. (1986cc)	CN050531 & Up
Gas		
w/Turbocharger	Five 130.8 C.I. (2144cc)	WK004646 & Up
w/o Turbocharger		
w/Calif E.C.S.	Five 130.8 C.I. (2144cc)	WE039429 & Up
w/o Calif E.C.S.	Five 130.8 C.I. (2144cc)	WD053264 & Up
1982		
Coupe	Five 130.8 C.I. (2144cc)	WE050907 & Up
4000		
Diesel	Four 97 C.I. (1600cc)	CR274754 & Up
Gas	Four 105 C.I. (1715cc)	WT023210 & Up
5000		
Diesel	Five 121.2 C.I. (1986cc)	CN072199 & Up
Gas		
w/Turbocharger	Five 130.8 C.I. (2144cc)	WK011331 & Up
w/o Turbocharger		
w/Calif E.C.S.	Five 130.8 C.I. (2144cc)	WE050907 & Up
w/o Calif E.C.S.	Five 130.8 C.I. (2144cc)	WD068654 & Up
1983		
Coupe	Five 130.8 C.I. (2144cc)	WE065131 & Up
4000		
Diesel		
w/Turbocharger	Four 97 C.I. (1600cc)	CY013597 & Up
w/o Turbocharger	Four 97 C.I. (1600cc)	JK038102 & Up
Gas	Four 105 C.I. (1715cc)	WT054010 & Up
5000		
Diesel		
w/Turbocharger	Five 121.2 C.I. (1986cc)	DE000001 & Up
w/o Turbocharger	Five 121.2 C.I. (1986cc)	CN079923 & Up
Gas		
w/Turbocharger	Five 130.8 C.I. (2144cc)	WK015406 & Up
w/o Turbocharger		
w/Calif E.C.S.	Five 130.8 C.I. (2144cc)	WE065131 & Up
w/o Calif E.C.S.	Five 130.8 C.I. (2144cc)	WD088935 & Up

IDENTIFICATION

YEAR & MODEL	ENGINE TYPE	ENGINE NUMBER
1984		
Coupe	Five 130.8 C.I. (2144cc)	KX000001 & Up
4000	Four 109 C.I. (1786 cc)	JN000001 & Up
5000	Five 130.8 C.I. (2144cc)	KH000001 & Up
1985		
Coupe	Five 136 C.I. (2226cc)	KX009706 & Up
4000	Four 109 C.I. (1786cc)	MG000001 & Up
4000 Quattro	Five 136 C.I. (2226cc)	JT000001 & Up
5000		
w/Turbocharger	Five 131 C.I. (2144cc)	KH009568 & Up
w/o Turbocharger	Five 136 C.I. (2226cc)	KZ025351 & Up
1986		
Coupe	Five 136 C.I. (2226cc)	KX019765 & Up
4000	Four 109 C.I. (1780cc)	MG023783 & Up
4000 Quattro	Five 136 C.I. (2226cc)	JT010477 & Up
5000		
w/Turbocharger	Five 136 C.I. (2226cc)	MC000997
w/o Turbocharger	Five 136 C.I. (2226cc)	KZ055201
5000 Turbo Quattro	Five 136 C.I. (2226cc)	MC000997
1987		
Coupe	Five 136 C.I. (2226cc)	KX019265 & Up
4000	Five 136 C.I. (2226cc)	JT020391 & Up
4000 Quattro	Five 136 C.I. (2226cc)	JT020391 & Up
5000		
w/Turbocharger	Five 136 C.I. (2226cc)	MC016385 & Up
w/o Turbocharger		
Eng #KZ	Five 136 C.I. (2226cc)	KZ106188 & Up
Eng #NF	Five 136 C.I. (2226cc)	NF023610 & Up
5000 Turbo Quattro	Five 136 C.I. (2226cc)	MC016385 & Up
1988		
80	Four 121 C.I. (2000cc)	3A002070 & Up
80 Quattro	Five 141 C.I. (2300cc)	NG011660 & Up
90	Four 121 C.I. (2000cc)	3A002070 & Up
90	Five 141 C.I. (2300cc)	NG011660 & Up
90 Quattro	Five 141 C.I. (2300cc)	NG011660 & Up
5000		
w/Turbocharger	Five 136 C.I. (2200cc)	MC030350 & Up
w/o Turbocharger	Five 141 C.I. (2300cc)	NF032624 & Up
5000 Quattro		
w/Turbocharger	Five 136 C.I. (2200cc)	MC030350 & Up
w/o Turbocharger	Five 141 C.I. (2300cc)	NF032624 & Up
1989		
80	Four 121 C.I. (2000cc)	3A014911 & Up
80 Quattro	Five 141 C.I. (2300cc)	NG032129 & Up
90	Four 121 C.I. (2000cc)	3A014911 & Up
90	Five 141 C.I. (2300cc)	NG032129 & Up
90 Quattro	Five 141 C.I. (2300cc)	NG032129 & Up
100	Five 141 C.I. (2300cc)	NF0625642 & Up
100 Quattro	Five 141 C.I. (2300cc)	NF062564 & Up
200	Five 136 C.I. (2230cc)	MC040447 & Up
200 Quattro	Five 136 C.I. (2230cc)	MC038994 & Up
1990		
Coupe Quattro	Five 141 C.I. (2300cc)	7A005643 & Up
V8 Quattro	Eight 220 C.I. (3600cc)	PT000001 & Up
80	Four 121 C.I. (2000cc)	3A000001 & Up
80 Quattro	Five 141 C.I. (2300cc)	NG056136 & Up
90	Five 141 C.I. (2300cc)	NG056136 & Up
90 Quattro	Five 141 C.I. (2300cc)	7A007517 & Up
100,100 Quattro	Five 141 C.I. (2300cc)	NF108890 & Up
200,200 Quattro	Five 136 C.I. (2230cc)	MC050472 & Up

IDENTIFICATION

YEAR & MODEL	ENGINE TYPE	ENGINE NUMBER
1991		
Coupe Quattro	Five 141 C.I. (2300cc)	7A014956 & Up
V8 Quattro	Eight 220 C.I. (3600cc)	PT019590 & Up
80	Five 141 C.I. (2300cc)	NG080636 & Up
80 Quattro	Five 141 C.I. (2300cc)	NG080926 & Up
90	Five 141 C.I. (2300cc)	NG080636 & Up
90 Quattro	Five 141 C.I. (2300cc)	7A014879 & Up
100,100 Quattro	Five 141 C.I. (2300cc)	NF153347 & Up
200,200 Quattro	Five 136 C.I. (2230cc)	3B005185 & Up
1992		
V8 Quattro	Eight 254 C.I. (4172cc)	ABH001774 & Up
S4	Five 136 C.I. (2230cc)	AAN003572 & Up
80	Five 141 C.I. (2300cc)	NG099765 & Up
80 Quattro	Five 141 C.I. (2300cc)	N.A.
100	Six 169 C.I. (2771cc)	AAH079185 & Up
100 Quattro	Six 169 C.I. (2771cc)	AAH111520 & Up
1993		
V8 Quattro	Eight 254 C.I. (4172cc)	ABH007607 & Up
S4	Five 136 C.I. (2230cc)	AAN008615 & Up
90	Six 169 C.I. (2771cc)	AAH111520 & Up
90 Quattro	Six 169 C.I. (2771cc)	AAH129060 & Up
100	Six 169 C.I. (2771cc)	AAH162099 & Up
100 Quattro	Six 169 C.I. (2771cc)	AAH171722 & Up
1994		
Cabriolet	Six 169 C.I. (2771cc)	N.A.
V8 Quattro	Eight 254 C.I. (4172cc)	N.A.
S4	Five 136 C.I. (2230cc)	N.A.
90	Six 169 C.I. (2771cc)	N.A.
90 Quattro	Six 169 C.I. (2771cc)	N.A.
100	Six 169 C.I. (2771cc)	N.A.
100 Quattro	Six 169 C.I. (2771cc)	N.A.
1995		
A6	Six 169 C.I. (2771cc)	N.A.
A6 Quattro	Six 169 C.I. (2771cc)	N.A.
Cabriolet	Six 169 C.I. (2771cc)	N.A.
S6	Five 136 C.I. (2230cc)	N.A.
90	Six 169 C.I. (2771cc)	N.A.
90 Quattro	Six 169 C.I. (2771cc)	N.A.
1996		
A4	Six 169 C.I. (2771cc)	N.A.
A4 Quattro	Six 169 C.I. (2771cc)	N.A.
A6	Six 169 C.I. (2771cc)	N.A.
A6 Quattro	Six 169 C.I. (2771cc)	N.A.
Cabriolet	Six 169 C.I. (2771cc)	N.A.
1997-98		
A4	Four 107 C.I. (1781cc)	N.A.
	Six 169 C.I. (2771cc)	N.A.
A4 Quattro	Four 107 C.I. (1781cc)	N.A.
	Six 169 C.I. (2771cc)	N.A.
A6	Six 169 C.I. (2771cc)	N.A.
A6 Quattro	Six 169 C.I. (2771cc)	N.A.
A8	Eight 226 C.I. (3697cc)	N.A.
A8 Quattro	Eight 255 C.I. (4172cc)	N.A.
Cabriolet	Six 169 C.I. (2771cc)	N.A.
1999		
A4	Four 107 C.I. (1781cc)	N.A.
	Six 169 C.I. (2771cc)	N.A.
A4 Quattro	Four 107 C.I. (1781cc)	N.A.
	Six 169 C.I. (2771cc)	N.A.
A6	Six 169 C.I. (2771cc)	N.A.
A6 Quattro	Six 169 C.I. (2771cc)	N.A.
A8	Eight 226 C.I. (3697cc)	N.A.
A8 Quattro	Eight 255 C.I. (4172cc)	N.A.

IDENTIFICATION

YEAR & MODEL	ENGINE TYPE	ENGINE NUMBER
2000		
A4	Four 107 C.I. (1781cc)	N.A.
	Six 169 C.I. (2771cc)	N.A.
A4 Quattro	Four 107 C.I. (1781cc)	N.A.
	Six 169 C.I. (2771cc)	N.A.
A6	Six 169 C.I. (2771cc)	N.A.
A6 Quattro	Six 163 C.I. (2671cc)	N.A.
	Six 169 C.I. (2771cc)	N.A.
	Eight 255 C.I. (4272cc)	N.A.
A8 Quattro	Eight 255 C.I. (4172cc)	N.A.
S4 Quattro	Six 163 C.I. (2671cc)	N.A.
TT	Four 107 C.I. (1781cc)	N.A.
TT Quattro	Four 107 C.I. (1781cc)	N.A.
2001		
A4	Four 107 C.I. (1781cc)	N.A.
	Six 169 C.I. (2771cc)	N.A.
A4 Quattro	Four 107 C.I. (1781cc)	N.A.
	Six 169 C.I. (2771cc)	N.A.
A6	Six 169 C.I. (2771cc)	N.A.
A6 Quattro	Six 163 C.I. (2671cc)	N.A.
	Six 169 C.I. (2771cc)	N.A.
	Eight 255 C.I. (4272cc)	N.A.
A8 Quattro	Eight 255 C.I. (4172cc)	N.A.
S4 Quattro	Six 163 C.I. (2671cc)	N.A.
S8	N.A.	
TT	Four 107 C.I. (1781cc)	N.A.
TT Quattro	Four 107 C.I. (1781cc)	N.A.
Allroad Quattro	N.A.	
2002		
A4	Four 107 C.I. (1781cc)	N.A.
	Six 182 C.I. (2976cc)	N.A.
A4 Quattro	Four 107 C.I. (1781cc)	N.A.
	Six 182 C.I. (2976cc)	N.A.
A6	Six 182 C.I. (2976cc)	N.A.
A6 Quattro	Six 163 C.I. (2671cc)	N.A.
	Six 182 C.I. (2976cc)	N.A.
	Eight 255 C.I. (4172cc)	N.A.
A8 Quattro	Eight 255 C.I. (4172cc)	N.A.
S4 Quattro	Six 163 C.I. (2671cc)	N.A.
S6 Quattro	Eight 255 C.I. (4172cc)	N.A.
S8 Quattro	Eight 255 C.I. (4172cc)	N.A.
TT	Four 107 C.I. (1781cc)	N.A.
TT Quattro	Four 107 C.I. (1781cc)	N.A.
Allroad Quattro	Six 163 C.I. (2671cc)	N.A.

YEAR & MODEL	ENGINE TYPE	TRANSMISSION
2003		
A4	1.8L Inline 4	5 Spd Std, 5 Spd Auto, CVT Auto
	3.0L V-6	6 Spd Std, 5 Spd Auto, CVT Auto
A6	2.7L V-6	6 Spd Std, 5 Spd Auto
	3.0L V-6	5 Spd Auto, CVT Auto
	4.2L V-8	5 Spd Auto
A8	4.2L V-8	5 Spd Auto
Allroad	2.7L V-6	6 Spd Std, 5 Spd Auto
	4.2L V-8	5 Spd Auto
RS6	4.2L V-8	5 Spd Auto
S6	4.2L V-8	5 Spd Auto
S8	4.2L V-8	5 Spd Auto
TT	1.8L Inline 4	6 Spd Std, 6 Spd Auto

IDENTIFICATION

YEAR & MODEL	ENGINE	TRANSMISSION
2004		
A4	1.8L Inline 4 3.0L V-6	6 Spd Std, 5 Spd Std, 5 Spd Auto, 1 Spd CVT Auto 6 Spd Std, 5 Spd Auto, 1 Spd CVT Auto
A6	2.7L V-6 3.0L V-6 4.2L V-8	6 Spd Std, 5 Spd Auto 5 Spd Auto, 1 Spd CVT Auto 5 Spd Auto
A8	4.2L V-8	6 Spd Auto
Allroad	2.7L V-6 4.2L V-8	6 Spd Std, 5 Spd Auto 5 Spd Auto
S4	4.2L V-8	6 Spd Std, 6 Spd Auto
TT	1.8L Inline 4 3.2L V-6	6 Spd Std, 6 Spd Auto 6 Spd Std
2005		
A4	1.8L Inline 4 2.0L Inline 4 3.0L V-6 3.2L V-6	6 Spd Std, 5 Spd Std, 5 Spd Auto, 1 Spd CVT Auto 6 Spd Std, 6 Spd Auto, 1 Spd CVT Auto 6 Spd Std, 5 Spd Auto, 1 Spd CVT Auto 6 Spd Auto
A6	3.2L V-6 4.2L V-8	6 Spd Auto 6 Spd Auto
A8	4.2L V-8 6.0L W-12	6 Spd Auto 6 Spd Auto
Allroad	2.7L V-6 4.2L V-8	6 Spd Std, 5 Spd Auto 5 Spd Auto
S4	4.2L V-8	6 Spd Std, 6 Spd Auto
TT	1.8L Inline 4 3.2L V-6	6 Spd Std, 6 Spd Auto 6 Spd Auto
2006-07		
A3	2.0L Inline 4 3.2L V-6	6 Spd Std, 6 Spd Auto 6 Spd Auto
A4	1.8L Inline 4 2.0L Inline 4 3.0L V-6 3.2L V-6	1 Spd CVT Auto 6 Spd Std, 6 Spd Auto, 1 Spd CVT Auto 6 Spd Auto 6 Spd Std, 6 Spd Auto, 1 Spd CVT Auto
A6	3.2L V-6 4.2L V-8	6 Spd Auto, 1 Spd CVT Auto 6 Spd Auto
A8	4.2L V-8 6.0L W-12	6 Spd Auto 6 Spd Auto
Q7	3.6L V-6 4.2L V-8	6 Spd Auto 6 Spd Auto
RS4	4.2L V-8	6 Spd Std
S4	4.2L V-8	6 Spd Std, 6 Spd Auto
S6	5.2L V-10	6 Spd Auto
S8	5.2L V-10	6 Spd Auto
TT	1.8L Inline 4 3.2L V-6	6 Spd Std, 6 Spd Auto 6 Spd Auto

IDENTIFICATION

IDENTIFICATION NUMBER OR PLATE LOCATION

1973-2007

Identification number (chassis number) plate is located on upper right front fender skirt, steering column housing or driver's door.

Date of manufacture is located on driver's door chassis identification plate.

MODEL REFERENCE

YEAR	MODEL	BODY STYLE	ENGINE	TRANSMISSION	PRODUCTION DATE
1973	2002	2 Dr	Four 2.0 Litre	4 Spd Std, 3 Spd Auto	9-72 thru 8-73
	2002tii	2 Dr	Four 2.0 Litre	4 Spd Std	9-72 thru 8-73
	3.0 Bavaria	4 Dr	Six 3.0 Litre	4 Spd Std, 3 Spd Auto	9-72 thru 7-73
	3.0CS	2 Dr	Six 3.0 Litre	4 Spd Std, 3 Spd Auto	N.A.
	3.0S	4 Dr	Six 3.0 Litre	4 Spd Std, 3 Spd Auto	N.A.
1974	2002	2 Dr	Four 2.0 Litre	4 Spd Std, 3 Spd Auto	9-73 thru 7-74
	2002tii	2 Dr	Four 2.0 Litre	4 Spd Std	9-73 thru 12-74
	3.0 Bavaria	4 Dr	Six 3.0 Litre	4 Spd Std	9-73 thru 7-74
		4 Dr	Six 3.0 Litre	3 Spd Auto	9-73 thru 6-74
	3.0CS	2 Dr	Six 3.0 Litre	4 Spd Std, 3 Spd Auto	N.A.
	3.0S	4 Dr	Six 3.0 Litre	4 Spd Std, 3 Spd Auto	9-73 thru 7-74
1975	2002	2 Dr	Four 2.0 Litre	4 Spd Std	7-74 thru 7-75
		2 Dr	Four 2.0 Litre	3 Spd Auto	8-74 thru 6-75
	3.0Si	4 Dr	Six 3.0 Litre	4 Spd Std, 3 Spd Auto	9-74 thru 7-75
	530i	4 Dr	Six 3.0 Litre	4 Spd Std, 3 Spd Auto	10-74 thru 7-75
1976	2002	2 Dr	Four 2.0 Litre	4 Spd Std, 3 Spd Auto	9-75 thru 7-76
	3.0Si	4 Dr	Six 3.0 Litre	4 Spd Std, 3 Spd Auto	9-75 thru 7-76
	530i	4 Dr	Six 3.0 Litre	4 Spd Std, 3 Spd Auto	9-75 thru 7-76
1977	320i	2 Dr	Four 2.0 Litre	4 Spd Std, 3 Spd Auto	7-76 thru 9-77
	530i	4 Dr	Six 3.0 Litre	4 Spd Std, 3 Spd Auto	9-76 thru 7-77
	630CSi	2 Dr	Six 3.0 Litre	4 Spd Std, 3 Spd Auto	9-76 thru 7-77
1978	320i	2 Dr	Four 2.0 Litre	4 Spd Std, 3 Spd Auto	9-77 thru 7-78
	530i	4 Dr	Six 3.0 Litre	4 Spd Std, 3 Spd Auto	9-77 thru 7-78
	633CSi	2 Dr	Six 3.2 Litre	4 Spd Std, 3 Spd Auto	12-77 thru 7-78
	733i	4 Dr	Six 3.2 Litre	4 Spd Std, 3 Spd Auto	12-77 thru 7-78
1979	320i	2 Dr	Four 2.0 Litre	4 Spd Std, 3 Spd Auto	9-78 thru 7-79
	528i	4 Dr	Six 2.8 Litre	4 Spd Std, 3 Spd Auto	9-78 thru 7-79
	633CSi	2 Dr	Six 3.2 Litre	4 Spd Std, 3 Spd Auto	9-78 thru 5-79
	733i	4 Dr	Six 3.2 Litre	4 Spd Std, 3 Spd Auto	9-78 thru 7-79
1980	320i	2 Dr	Four 1.8 Litre	5 Spd Std, 3 Spd Auto	9-79 & Up
	528i	4 Dr	Six 2.8 Litre	5 Spd Std, 3 Spd Auto	9-79 & Up
	633CSi	2 Dr	Six 3.2 Litre	4 Spd Std, 3 Spd Auto	9-79 & Up
	733i	4 Dr	Six 3.2 Litre	4 Spd Std, 3 Spd Auto	9-79 & Up
1981	320i	2 Dr	Four 1.8 Litre	5 Spd Std, 3 Spd Auto	9-80 & Up
	528i	4 Dr	Six 2.8 Litre	5 Spd Std, 3 Spd Auto	9-80 & Up
	633CSi	2 Dr	Six 3.2 Litre	5 Spd Std, 3 Spd Auto	9-80 & Up
	733i	4 Dr	Six 3.2 Litre	5 Spd Std, 3 Spd Auto	9-80 & Up
1982	320i	2 Dr	Four 1.8 Litre	5 Spd Std, 3 Spd Auto	9-81 & Up
	528e	4 Dr	Six 2.7 Litre	5 Spd Std, 3 Spd Auto	9-81 & Up
	633CSi	2 Dr	Six 3.2 Litre	5 Spd Std, 3 Spd Auto	9-81 & Up
	733i	4 Dr	Six 3.2 Litre	5 Spd Std, 3 Spd Auto	9-81 & Up
1983	320i	2 Dr	Four 1.8 Litre	5 Spd Std, 3 Spd Auto	9-82 thru 12-82
	528e	4 Dr	Six 2.7 Litre	5 Spd Std, 3 Spd Auto	9-82 & Up
				4 Spd Auto	
	533i	4 Dr	Six 3.2 Litre	5 Spd Std, 3 Spd Auto	9-82 & Up
				4 Spd Auto	
	633CSi	2 Dr	Six 3.2 Litre	5 Spd Std, 3 Spd Auto	9-82 & Up
			4 Spd Auto		
	733i	4 Dr	Six 3.2 Litre	5 Spd Std, 3 Spd Auto	9-82 & Up
			4 Spd Auto		
1984	318i	2 Dr	Four 1.8 Litre	5 Spd Std, 3 Spd Auto	8-83 & Up
	325e	2 Dr	Six 2.7 Litre	5 Spd Std,	
				4 Spd Auto	4-84 & Up
	528e	4 Dr	Six 2.7 Litre	5 Spd Std, 4 Spd Auto	9-83 & Up
	533i	4 Dr	Six 3.2 Litre	5 Spd Std, 4 Spd Auto	9-83 & Up
	633CSi	2 Dr	Six 3.2 Litre	5 Spd Std, 4 Spd Auto	9-83 & Up
	733i	4 Dr	Six 3.2 Litre	5 Spd Std, 4 Spd Auto	9-83 & Up

IDENTIFICATION

MODEL REFERENCE (Cont.)

YEAR	MODEL	BODY STYLE	ENGINE	TRANSMISSION	PRODUCTION DATE
1985	318i	2 Dr	Four 1.8 Litre	5 Spd Std, 4 Spd Auto	9-84 & Up
	318i	4 Dr	Four 1.8 Litre	5 Spd Std, 4 Spd Auto	9-84 & Up
	325e	2 Dr	Six 2.7 Litre	5 Spd Std, 4 Spd Auto	9-84 & Up
	325e	4 Dr	Six 2.7 Litre	5 Spd Std, 4 Spd Auto	9-84 & Up
	524td	4 Dr	Six 2.4 Litre	4 Spd Auto	1-85 & Up
	528e	4 Dr	Six 2.7 Litre	5 Spd Std, 4 Spd Auto	9-84 & Up
	535i	4 Dr	Six 3.5 Litre	5 Spd Std, 4 Spd Auto	9-84 & Up
	635CSi	2 Dr	Six 3.5 Litre	5 Spd Std, 4 Spd Auto	9-84 & Up
	735i	4 Dr	Six 3.5 Litre	5 Spd Std, 4 Spd Auto	9-84 & Up
	1986	325	2 Dr	Six 2.7 Litre	5 Spd Std, 4 Spd Auto
325		4 Dr	Six 2.7 Litre	5 Spd Std, 4 Spd Auto	9-85 & Up
325e		4 Dr	Six 2.7 Litre	5 Spd Std, 4 Spd Auto	9-85 & Up
325es		2 Dr	Six 2.7 Litre	5 Spd Std, 4 Spd Auto	9-85 & Up
524td		4 Dr	Six 2.4 Litre	4 Spd Auto	9-85 & Up
528e		4 Dr	Six 2.7 Litre	5 Spd Std, 4 Spd Auto	9-85 & Up
535i		4 Dr	Six 3.5 Litre	5 Spd Std, 4 Spd Auto	9-85 & Up
635CSi		2 Dr	Six 3.5 Litre	5 Spd Std, 4 Spd Auto	9-85 & Up
735i		4 Dr	Six 3.5 Litre	5 Spd Std, 4 Spd Auto	9-85 & Up
1987		325	2 Dr	Six 2.7 Litre	5 Spd Std, 4 Spd Auto
	325	4 Dr	Six 2.7 Litre	5 Spd Std, 4 Spd Auto	9-86 & Up
	325i	Conv	Six 2.5 Litre	5 Spd Std, 4 Spd Auto	9-86 & Up
	325i	4 Dr	Six 2.5 Litre	5 Spd Std, 4 Spd Auto	9-86 & Up
	325is	2 Dr	Six 2.5 Litre	5 Spd Std, 4 Spd Auto	9-86 & Up
	528e	4 Dr	Six 2.7 Litre	5 Spd Std, 4 Spd Auto	9-86 & Up
	535i	4 Dr	Six 3.5 Litre	5 Spd Std, 4 Spd Auto	9-86 & Up
	535is	4 Dr	Six 3.5 Litre	5 Spd Std, 4 Spd Auto	9-86 & Up
	635CSi	2 Dr	Six 3.5 Litre	5 Spd Std, 4 Spd Auto	9-86 & Up
	735i	4 Dr	Six 3.5 Litre	4 Spd Auto	9-86 & Up
	L6	2 Dr	Six 3.5 Litre	4 Spd Auto	9-86 & Up
	L7	4 Dr	Six 3.5 Litre	4 Spd Auto	9-86 & Up
	M3	2 Dr	Four 2.3 Litre	5 Spd Std	9-86 & Up
	M5	4 Dr	Six 3.5 Litre	5 Spd Std	1-87 & Up
	M6	2 Dr	Six 3.5 Litre	5 Spd Std	12-86 & Up
1988	325	2 Dr	Six 2.7 Litre	5 Spd Std, 4 Spd Auto	9-87 & Up
	325	4 Dr	Six 2.7 Litre	5 Spd Std, 4 Spd Auto	9-87 & Up
	325i	4 Dr	Six 2.5 Litre	5 Spd Std, 4 Spd Auto	9-87 & Up
	325iC	Conv	Six 2.5 Litre	5 Spd Std, 4 Spd Auto	9-87 & Up
	325is	2 Dr	Six 2.5 Litre	5 Spd Std, 4 Spd Auto	9-87 & Up
	325iX	2 Dr 4x4	Six 2.5 Litre	5 Spd Std	9-87 & Up
	325iX	4 Dr 4x4	Six 2.5 Litre	5 Spd Std	9-87 & Up
	528e	4 Dr	Six 2.7 Litre	5 Spd Std, 4 Spd Auto	9-87 & Up
	535i	4 Dr	Six 3.5 Litre	5 Spd Std, 4 Spd Auto	9-87 & Up
	535is	4 Dr	Six 3.5 Litre	5 Spd Std, 4 Spd Auto	9-87 & Up
	635CSi	2 Dr	Six 3.5 Litre	4 Spd Auto	9-87 & Up
	735i	4 Dr	Six 3.5 Litre	4 Spd Auto	9-87 & Up
	750iL	4 Dr	V-12 5.0 Litre	4 Spd Auto	12-87 & Up
	M3	2 Dr	Four 2.3 Litre	5 Spd Std	9-87 & Up
	M5	4 Dr	Six 3.5 Litre	5 Spd Std	9-87 & Up
	M6	2 Dr	Six 3.5 Litre	5 Spd Std	9-87 & Up
1989	325i	2 Dr	Six 2.5 Litre	5 Spd Std, 4 Spd Auto	9-88 & Up
	325i	4 Dr	Six 2.5 Litre	5 Spd Std, 4 Spd Auto	9-88 & Up
	325iC	Conv	Six 2.5 Litre	5 Spd Std, 4 Spd Auto	9-88 & Up
	325is	2 Dr	Six 2.5 Litre	5 Spd Std, 4 Spd Auto	9-88 & Up
	325iX	2 Dr 4x4	Six 2.5 Litre	5 Spd Std, 4 Spd Auto	9-88 & Up
	325iX	4 Dr 4x4	Six 2.5 Litre	5 Spd Std, 4 Spd Auto	9-88 & Up
	525i	4 Dr	Six 2.5 Litre	4 Spd Auto	6-88 & Up
	535i	4 Dr	Six 3.5 Litre	4 Spd Auto	6-88 & Up
	635CSi	2 Dr	Six 3.5 Litre	4 Spd Auto	9-88 & Up
	735i	4 Dr	Six 3.5 Litre	4 Spd Auto	9-88 & Up
	735iL	4 Dr	Six 3.5 Litre	4 Spd Auto	9-88 & Up
	750iL	4 Dr	V-12 5.0 Litre	4 Spd Auto	9-88 & Up
	M3	2 Dr	Four 2.3 Litre	5 Spd Std	9-88 & Up

IDENTIFICATION

MODEL REFERENCE (Cont.)

YEAR	MODEL	BODY STYLE	ENGINE	TRANSMISSION	PRODUCTION DATE	
1990	325i	2 Dr	Six 2.5 Litre	5 Spd Std	9-89 & Up	
	325i	4 Dr	Six 2.5 Litre	5 Spd Std	9-89 & Up	
	325iC	Conv	Six 2.5 Litre	5 Spd Std	9-89 & Up	
	325iS	2 Dr	Six 2.5 Litre	5 Spd Std	9-89 & Up	
	325iX	2 Dr 4x4	Six 2.5 Litre	5 Spd Std	9-89 & Up	
	325iX	4 Dr 4x4	Six 2.5 Litre	5 Spd Std	9-89 & Up	
	525i	4 Dr	Six 2.5 Litre	4 Spd Auto	9-89 & Up	
	535i	4 Dr	Six 3.5 Litre	4 Spd Auto	9-89 & Up	
	735i	4 Dr	Six 3.5 Litre	4 Spd Auto	9-89 & Up	
	735iL	4 Dr	Six 3.5 Litre	4 Spd Auto	9-89 & Up	
	750iL	4 Dr	V-12 5.0 Litre	4 Spd Auto	9-89 & Up	
	M3	2 Dr	Four 2.3 Litre	5 Spd Std	9-89 & Up	
	1991	M3	2 Dr	Four 2.3 Litre	5 Spd Std	9-90 & Up
		M5	4 Dr	Six 3.6 Litre	5 Spd Std	9-90 & Up
		318i	4 Dr	Four 1.8 Litre	5 Spd Std	9-90 & Up
318iC		Conv	Four 1.8 Litre	5 Spd Std	9-90 & Up	
318iS		2 Dr	Four 1.8 Litre	5 Spd Std	9-90 & Up	
325i		2 Dr	Six 2.5 Litre	5 Spd Std, 4 Spd Auto	9-90 & Up	
325i		4 Dr	Six 2.5 Litre	5 Spd Std, 4 Spd Auto	9-90 & Up	
325iC		Conv	Six 2.5 Litre	5 Spd Std, 4 Spd Auto	9-90 & Up	
325iX		2 Dr 4x4	Six 2.5 Litre	5 Spd Std, 4 Spd Auto	9-90 & Up	
325iX		4 Dr 4x4	Six 2.5 Litre	5 Spd Std, 4 Spd Auto	9-90 & Up	
525i		4 Dr	Six 2.5 Litre	5 Spd Std, 4 Spd Auto	9-90 & Up	
535i		4 Dr	Six 3.5 Litre	5 Spd Std, 4 Spd Auto	9-90 & Up	
735i		4 Dr	Six 3.5 Litre	5 Spd Std, 4 Spd Auto	9-90 & Up	
735iL		4 Dr	Six 3.5 Litre	4 Spd Auto	9-90 & Up	
750iL		4 Dr	V-12 5.0 Litre	4 Spd Auto	9-90 & Up	
850i		2 Dr	V-12 5.0 Litre	6 Spd Std, 4 Spd Auto	9-90 & Up	
1992		M5	4 Dr	Six 3.6 Litre	5 Spd Std	9-91 & Up
	318i	4 Dr	Four 1.8 Litre	5 Spd Std, 4 Spd Auto	9-91 & Up	
	318iC	Conv	Four 1.8 Litre	5 Spd Std, 4 Spd Auto	9-91 & Up	
	318iS	2 Dr	Four 1.8 Litre	5 Spd Std, 4 Spd auto	9-91 & Up	
	325i	4 Dr	Six (DOHC) 2.5 Litre	5 Spd Std, 4 Spd Auto	9-91 & Up	
	325iC	Conv	Six (SOHC) 2.5 Litre	5 Spd Std, 4 Spd Auto	9-91 & Up	
	325iS	2 Dr	Six (SOHC) 2.5 Litre	5 Spd Std, 4 Spd Auto	9-91 & Up	
	525i	4 Dr	Six 2.5 Litre	5 Spd Std	9-91 & Up	
	535i	4 Dr	Six 3.5 Litre	5 Spd Std, 4 Spd Auto	9-91 & Up	
	735i	4 Dr	Six 3.5 Litre	5 Spd Std, 4 Spd Auto	9-91 & Up	
	735iL	4 Dr	Six 3.5 Litre	5 Spd Std, 4 Spd Auto	9-91 & Up	
	750iL	4 Dr	V-12 5.0 Litre	4 Spd Auto	9-91 & Up	
	850i	2 Dr	V-12 5.0 Litre	6 Spd Std, 4 Spd Auto	9-91 & Up	
	1993	M5	4 Dr	Six 3.6 Litre	5 Spd Std	9-92 & Up
		318i	4 Dr	Four 1.8 Litre	5 Spd Std, 4 Spd Auto	9-92 & Up
318iS		2 Dr	Four 1.8 Litre	5 Spd Std, 4 Spd Auto	9-92 & Up	
325i		4 Dr	Six (DOHC) 2.5 Litre	5 Spd Std, 4 Spd Auto	9-92 & Up	
325iC		Conv	Six (SOHC) 2.5 Litre	5 Spd Std, 4 Spd Auto	9-92 & Up	
325iS		2 Dr	Six (DOHC) 2.5 Litre	5 Spd Std, 4 Spd Auto	9-92 & Up	
525i		Sed	Six 2.5 Litre	5 Spd Std	9-92 & Up	
525i Tour		S/W	Six 2.5 Litre	4 Spd Auto	9-92 & Up	
535i		4 Dr	Six 3.5 Litre	5 Spd Std, 4 Spd Auto	9-92 & Up	
740i		4 Dr	V-8 4.0 Litre	5 Spd Auto	9-92 & Up	
740iL		4 Dr	V-8 4.0 Litre	5 Spd Auto	9-92 & Up	
750iL		4 Dr	V-12 5.0 Litre	4 Spd Auto	9-92 & Up	
850Ci		2 Dr	V-12 5.0 Litre	6 Spd Std, 4 Spd Auto	9-92 & Up	

IDENTIFICATION

MODEL REFERENCE (Cont.)

YEAR	MODEL	BODY STYLE	ENGINE	TRANSMISSION	PRODUCTION DATE	
1994	318i	4 Dr	Four 1.8 Litre	5 Spd Std, 4 Spd Auto	9-93 & Up	
	318iC	Conv	Four 1.8 Litre	5 Spd Std, 4 Spd Auto	9-93 & Up	
	318iS	2 Dr	Four 1.8 Litre	5 Spd Std, 4 Spd Auto	9-93 & Up	
	325i	4 Dr	Six 2.5 Litre	5 Spd Std, 4 Spd Auto	9-93 & Up	
	325iC	Conv	Six 2.5 Litre	5 Spd Std, 4 Spd Auto	9-93 & Up	
	325iS	2 Dr	Six 2.5 Litre	5 Spd Std, 4 Spd Auto	9-93 & Up	
	525i	Sed	Six 2.5 Litre	5 Spd Std	9-93 & Up	
	525i Tour	S/W	Six 2.5 Litre	4 Spd Auto	9-93 & Up	
	530i	Sed	V-8 3.0 Litre	5 Spd Std, 5 Spd Auto	9-93 & Up	
	530i Tour	S/W	V-8 3.0 Litre	5 Spd Auto	9-93 & Up	
	540i	4 Dr	V-8 4.0 Litre	5 Spd Auto	9-93 & Up	
	740i	4 Dr	V-8 4.0 Litre	5 Spd Auto	9-93 & Up	
	740iL	4 Dr	V-8 4.0 Litre	5 Spd Auto	9-93 & Up	
	750iL	4 Dr	V-12 5.0 Litre	4 Spd Auto	9-93 & Up	
	840Ci	2 Dr	V-8 4.0 Litre	5 Spd Auto	9-93 & Up	
	850Ci	2 Dr	V-12 5.0 Litre	4 Spd Auto	9-93 & Up	
	850CSi	2 Dr	V-12 5.0 Litre	6 Spd Std	9-93 & Up	
	1995	M3	2 Dr	Six 3.0 Litre	5 Spd Std, 5 Spd Auto	10-94 & Up
		318i	4 Dr	Four 1.8 Litre	5 Spd Std, 4 Spd Auto	10-94 & Up
		318iC	Conv	Four 1.8 Litre	5 Spd Std, 4 Spd Auto	10-94 & Up
318iS		2 Dr	Four 1.8 Litre	5 Spd Std, 4 Spd Auto	10-94 & Up	
318ti		2 Dr	Four 1.8 Litre	5 Spd Std, 4 Spd Auto	10-94 & Up	
325i		4 Dr	Six 2.5 Litre	5 Spd Std, 4 Spd Auto	10-94 & Up	
325iC		Conv	Six 2.5 Litre	5 Spd Std, 4 Spd Auto	10-94 & Up	
325iS		2 Dr	Six 2.5 Litre	5 Spd Std, 4 Spd Auto	10-94 & Up	
525i		Sed	Six 2.5 Litre	5 Spd Std	10-94 & Up	
525i Tour		S/W	Six 2.5 Litre	4 Spd Auto	10-94 & Up	
530i		Sed	V-8 3.0 Litre	5 Spd Std, 5 Spd Auto	10-94 & Up	
530i Tour		S/W	V-8 3.0 Litre	5 Spd Auto	10-94 & Up	
540i		4 Dr	V-8 4.0 Litre	6 Spd Std, 5 Spd Auto	10-94 & Up	
740i		4 Dr	V-8 4.0 Litre	5 Spd Auto	10-94 & Up	
740iL		4 Dr	V-8 4.0 Litre	5 Spd Auto	10-94 & Up	
750iL		4 Dr	V-12 5.4 Litre	5 Spd Auto	10-94 & Up	
840Ci		2 Dr	V-8 4.0 Litre	5 Spd Auto	10-94 & Up	
850Ci		2 Dr	V-12 5.4 Litre	5 Spd Auto	10-94 & Up	
850CSi		2 Dr	V-12 5.6 Litre	6 Spd Std	10-94 & Up	
1996		M3	2 Dr	Six 3.2 Litre	5 Spd Std	10-95 & Up
	Z3	Conv	Four 1.9 Litre	5 Spd Std, 4 Spd Auto	10-95 & Up	
	318i	4 Dr	Four 1.9 Litre	5 Spd Std, 4 Spd Auto	10-95 & Up	
	318iC	Conv	Four 1.9 Litre	5 Spd Std, 4 Spd Auto	10-95 & Up	
	318iS	2 Dr	Four 1.9 Litre	5 Spd Std, 4 Spd Auto	10-95 & Up	
	318ti	2 Dr	Four 1.9 Litre	5 Spd Std, 4 Spd Auto	10-95 & Up	
	328i	4 Dr	Six 2.8 Litre	5 Spd Std, 4 Spd Auto	10-95 & Up	
	328iC	Conv	Six 2.8 Litre	5 Spd Std, 4 Spd Auto	10-95 & Up	
	328iS	2 Dr	Six 2.8 Litre	5 Spd Std, 4 Spd Auto	10-95 & Up	
	740iL	4 Dr	V-8 4.4 Litre	5 Spd Auto	10-95 & Up	
	750iL	4 Dr	V-12 5.4 Litre	5 Spd Auto	10-95 & Up	
	840Ci	2 Dr	V-8 4.4 Litre	5 Spd Auto	10-95 & Up	
	850Ci	2 Dr	V-12 5.4 Litre	5 Spd Auto	10-95 & Up	
	1997	M3	2 Dr	Six 3.2 Litre	5 Spd Std	10-96 & Up
		4 Dr	Six 3.2 Litre	5 Spd Std	10-96 & Up	
Z3		Conv	Four 1.9 Litre	5 Spd Std, 4 Spd Auto	10-96 & Up	
			Six 2.8 Litre	5 Spd Std, 4 Spd Auto	10-96 & Up	
318i		4 Dr	Four 1.9 Litre	5 Spd Std, 4 Spd Auto	10-96 & Up	
318iC		Conv	Four 1.9 Litre	5 Spd Std, 4 Spd Auto	10-96 & Up	
318iS		2 Dr	Four 1.9 Litre	5 Spd Std, 4 Spd Auto	10-96 & Up	
318ti		2 Dr	Four 1.9 Litre	5 Spd Std, 4 Spd Auto	10-96 & Up	
328i		4 Dr	Six 2.8 Litre	5 Spd Std, 4 Spd Auto	10-96 & Up	
328iC		Conv	Six 2.8 Litre	5 Spd Std, 4 Spd Auto	10-96 & Up	
328iS		2 Dr	Six 2.8 Litre	5 Spd Std, 4 Spd Auto	10-96 & Up	
528i		4 Dr	Six 2.8 Litre	5 Spd Std, 4 Spd Auto	10-96 & Up	
540i		4 Dr	V-8 4.4 Litre	6 Spd Std, 5 Spd Auto	10-96 & Up	
740i		4 Dr	V-8 4.4 Litre	5 Spd Auto	10-96 & Up	
740iL		4 Dr	V-8 4.4 Litre	5 Spd Auto	10-96 & Up	
750iL		4 Dr	V-12 5.4 Litre	5 Spd Auto	10-96 & Up	
840Ci		2 Dr	V-8 4.4 Litre	5 Spd Auto	10-96 & Up	
850Ci		2 Dr	V-12 5.4 Litre	5 Spd Auto	10-96 & Up	

Cont.

IDENTIFICATION

MODEL REFERENCE (Cont.)

YEAR	MODEL	BODY STYLE	ENGINE	TRANSMISSION	PRODUCTION DATE	
1998	M Roadster	Conv	Six 3.2 Litre	5 Spd Std	10-97 & Up	
		Conv	Six 3.2 Litre	5 Spd Std	10-97 & Up	
	M3	2 Dr	Six 3.2 Litre	5 Spd Std	10-97 & Up	
		4 Dr	Six 3.2 Litre	5 Spd Std, 4 Spd Auto	10-97 & Up	
	Z3	Conv	Four 1.9 Litre	5 Spd Std, 4 Spd Auto	10-97 & Up	
			Six 2.8 Litre	5 Spd Std, 4 Spd Auto	10-97 & Up	
	318i	4 Dr	Four 1.9 Litre	5 Spd Std, 4 Spd Auto	10-97 & Up	
	318ti	2 Dr	Four 1.9 Litre	5 Spd Std, 4 Spd Auto	10-97 & Up	
	323i	Conv	Six 2.5 Litre	5 Spd Std, 4 Spd Auto	10-97 & Up	
	323iS	2 Dr	Six 2.5 Litre	5 Spd Std, 4 Spd Auto	10-97 & Up	
	328i	Conv	Six 2.8 Litre	5 Spd Std, 4 Spd Auto	10-97 & Up	
	328i	4 Dr	Six 2.8 Litre	5 Spd Std, 4 Spd Auto	10-97 & Up	
	328iS	2 Dr	Six 2.8 Litre	5 Spd Std, 4 Spd Auto	10-97 & Up	
	528i	4 Dr	Six 2.8 Litre	5 Spd Std, 4 Spd Auto	10-97 & Up	
	540i	4 Dr	V-8 4.4 Litre	6 Spd Std, 5 Spd Auto	10-97 & Up	
	740i	4 Dr	V-8 4.4 Litre	5 Spd Auto	10-97 & Up	
	740iL	4 Dr	V-8 4.4 Litre	5 Spd Auto	10-97 & Up	
	750iL	4 Dr	V-12 5.4 Litre	5 Spd Auto	10-97 & Up	
	1999	M Coupe	2 Dr	Six 3.2 Litre	5 Spd Std	10-98 & Up
		M Roadster	Conv	Six 3.2 Litre	5 Spd Std	10-98 & Up
			Conv	Six 3.2 Litre	5 Spd Std, 5 Spd Auto	10-98 & Up
M3		2 Dr	Six 3.2 Litre	5 Spd Std	10-98 & Up	
		4 Dr	Six 3.2 Litre	5 Spd Std, 5 Spd Auto	10-98 & Up	
Z3		Conv	Six 2.5 Litre	5 Spd Std, 4 Spd Auto	10-98 & Up	
			Six 2.8 Litre	5 Spd Std, 4 Spd Auto	10-98 & Up	
		2 Dr	Six 2.8 Litre	5 Spd Std, 4 Spd Auto	10-98 & Up	
318ti		2 Dr	Four 1.9 Litre	5 Spd Std, 4 Spd Auto	10-98 & Up	
323i		Conv	Six 2.5 Litre	5 Spd Std, 4 Spd Auto	10-98 & Up	
323i		4 Dr	Six 2.5 Litre	5 Spd Std, 5 Spd Auto	10-98 & Up	
323iS		2 Dr	Six 2.5 Litre	5 Spd St., 4 Spd Auto	10-98 & Up	
328i		Conv	Six 2.8 Litre	5 Spd Std, 4 Spd Auto	10-98 & Up	
328i		4 Dr	Six 2.8 Litre	5 Spd Std, 4 Spd Auto	10-98 & Up	
328iS		2 Dr	Six 2.8 Litre	5 Spd Std, 4 Spd Auto	10-98 & Up	
528i		4 Dr Sed	Six 2.8 Litre	5 Spd Std, 4 Spd Auto	10-98 & Up	
528i		4 Dr S/W	Six 2.8 Litre	5 Spd Std, 4 Spd Auto	10-98 & Up	
540i		4 Dr Sed	V-8 4.4 Litre	6 Spd Std, 5 Spd Auto	10-98 & Up	
540i		4 Dr S/W	V-8 4.4 Litre	5 Spd Auto	10-98 & Up	
740i		4 Dr	V-8 4.4 Litre	5 Spd Auto	10-98 & Up	
740iL		4 Dr	V-8 4.4 Litre	5 Spd Auto	10-98 & Up	
750iL		4 Dr	V-12 5.4 Litre	5 Spd Auto	10-98 & Up	
2000		M Coupe	2 Dr	Six 3.2 Litre	5 Spd Std	N.A.
		M Roadster	Conv	Six 3.2 Litre	5 Spd Std	N.A.
			Conv	Six 3.2 Litre	5 Spd Std	N.A.
		M5	4Dr	V8 5.0 Litre	6 Spd Std	N.A.
		X5	4 Dr SUV	V8 4.4 Litre	5 Spd Auto	N.A.
	Z3	Conv	Six 2.5 Litre	5 Spd Std, 4 Spd Auto	N.A.	
			Six 2.8 Litre	5 Spd Std, 4 Spd Auto	N.A.	
		2 Dr	Six 2.8 Litre	5 Spd Std, 4 Spd Auto	N.A.	
	Z8	Conv	V8 5.0 Litre	6 Spd Std	N.A.	
	323i	4 Dr Sed	Six 2.5 Litre	5 Spd Std, 5 Spd Auto	N.A.	
	323i	4 Dr S/W	Six 2.5 Litre	5 Spd Std, 5 Spd Auto	N.A.	
	323Ci	2 Dr	Six 2.5 Litre	5 Spd St., 5 Spd Auto	N.A.	
		Conv	Six 2.5 Litre	5 Spd Std, 5 Spd Auto	N.A.	
	328i	4 Dr	Six 2.8 Litre	5 Spd Std, 5 Spd Auto	N.A.	
	328Ci	2 Dr	Six 2.8 Litre	5 Spd Std, 5 Spd Auto	N.A.	
	528i	4 Dr Sed	Six 2.8 Litre	5 Spd Std, 5 Spd Auto	N.A.	
	528iT	4 Dr S/W	Six 2.8 Litre	5 Spd Std, 5 Spd Auto	N.A.	
	540i	4 Dr Sed	V-8 4.4 Litre	6 Spd Std, 5 Spd Auto	N.A.	
	540iT	4 Dr S/W	V-8 4.4 Litre	5 Spd Auto	N.A.	
	740i	4 Dr	V-8 4.4 Litre	5 Spd Auto	N.A.	
	740iL	4 Dr	V-8 4.4 Litre	5 Spd Auto	N.A.	
	750iL	4 Dr	V-12 5.4 Litre	5 Spd Auto	N.A.	

IDENTIFICATION

MODEL REFERENCE (Cont.)

YEAR	MODEL	BODY STYLE	ENGINE	TRANSMISSION	
2001	325Ci	2 Dr Conv	Six 2.5 Litre	5 Spd Auto, 5 Spd Std	
		2 Dr Coupe	Six 2.5 Litre	5 Spd Auto, 5 Spd Std	
	325i	4 Dr Sedan	Six 2.5 Litre	5 Spd Auto, 5 Spd Std	
		4 Dr Wagon	Six 2.5 Litre	5 Spd Auto, 5 Spd Std	
	325Xi	4 Dr Sedan	Six 2.5 Litre	5 Spd Auto, 5 Spd Std	
		4 Dr Wagon	Six 2.5 Litre	5 Spd Auto, 5 Spd Std	
	330Ci	2 Dr Conv	Six 3.0 Litre	5 Spd Auto, 5 Spd Std	
		2 Dr Coupe	Six 3.0 Litre	5 Spd Auto, 5 Spd Std	
	330i	4 Dr Sedan	Six 3.0 Litre	5 Spd Auto, 5 Spd Std	
	330Xi	4 Dr Sedan	Six 3.0 Litre	5 Spd Auto, 5 Spd Std	
	525i	4 Dr Sedan	Six 2.5 Litre	5 Spd Auto, 5 Spd Std	
		4 Dr Wagon	Six 2.5 Litre	5 Spd Auto, 5 Spd Std	
	530i	4 Dr Sedan	Six 3.0 Litre	5 Spd Auto, 5 Spd Std	
	540i	4 Dr Sedan	V-8 4.4 Litre	5 Spd Auto, 6 Spd Std	
		4 Dr Wagon	V-8 4.4 Litre	5 Spd Auto	
	740i	4 Dr Sedan	V-8 4.4 Litre	5 Spd Auto	
	740iL	4 Dr Sedan	V-8 4.4 Litre	5 Spd Auto	
	750iL	4 Dr Sedan	V-12 5.4 Litre	5 Spd Auto	
	M Coupe	2 Dr Coupe	Six 3.2 Litre	5 Spd Std	
	M Roadster	2 Dr Conv	Six 3.2 Litre	5 Spd Std	
	M3	2 Dr Conv	Six 3.2 Litre	6 Spd Std	
		2 Dr Coupe	Six 3.2 Litre	6 Spd Std	
	M5	4 Dr Sedan	V-8 5.0 Litre	6 Spd Std	
	X5	4 Dr Utility	Six 3.0 Litre	5 Spd Auto, 5 Spd Std	
		4 Dr Utility	V-8 4.4 Litre	5 Spd Auto	
	Z3	2 Dr Conv	Six 2.5 Litre	5 Spd Auto, 5 Spd Std	
		2 Dr Conv	Six 3.0 Litre	5 Spd Auto, 5 Spd Std	
		2 Dr Coupe	Six 2.5 Litre	5 Spd Auto, 5 Spd Std	
		2 Dr Coupe	Six 3.0 Litre	5 Spd Auto, 5 Spd Std	
	Z8	2 Dr Conv	V-8 5.0 Litre	6 Spd Std	
	2002	325Ci	2 Dr Conv	Six 2.5 Litre	5 Spd Auto, 5 Spd Std
			2 Dr Coupe	Six 2.5 Litre	5 Spd Auto, 5 Spd Std
		325i	4 Dr Sedan	Six 2.5 Litre	5 Spd Auto, 5 Spd Std
4 Dr Wagon			Six 2.5 Litre	5 Spd Auto, 5 Spd Std	
325Xi		4 Dr Sedan	Six 2.5 Litre	5 Spd Auto, 5 Spd Std	
		4 Dr Wagon	Six 2.5 Litre	5 Spd Auto, 5 Spd Std	
330Ci		2 Dr Conv	Six 3.0 Litre	5 Spd Auto, 5 Spd Std	
		2 Dr Coupe	Six 3.0 Litre	5 Spd Auto, 5 Spd Std	
330i		4 Dr Sedan	Six 3.0 Litre	5 Spd Auto, 5 Spd Std	
330Xi		4 Dr Sedan	Six 3.0 Litre	5 Spd Auto, 5 Spd Std	
525i		4 Dr Sedan	Six 2.5 Litre	5 Spd Auto, 5 Spd Std	
		4 Dr Wagon	Six 2.5 Litre	5 Spd Auto, 5 Spd Std	
530i		4 Dr Sedan	Six 3.0 Litre	5 Spd Auto, 5 Spd Std	
540i		4 Dr Sedan	V-8 4.4 Litre	5 Spd Auto, 6 Spd Std	
		4 Dr Wagon	V-8 4.4 Litre	5 Spd Auto	
745i		4 Dr Sedan	V-8 4.4 Litre	6 Spd Auto	
745iL		4 Dr Sedan	V-8 4.4 Litre	6 Spd Auto	
M Coupe		2 Dr Coupe	Six 3.2 Litre	5 Spd Std	
M Roadster		2 Dr Conv	Six 3.2 Litre	5 Spd Std	
M3		2 Dr Conv	Six 3.2 Litre	6 Spd Std	
		2 Dr Coupe	Six 3.2 Litre	6 Spd Std	
M5		4 Dr Sedan	V-8 5.0 Litre	6 Spd Std	
X5		4 Dr Utility	Six 3.0 Litre	5 Spd Auto, 5 Spd Std	
		4 Dr Utility	V-8 4.4 Litre	5 Spd Auto	
Z3		4 Dr Utility	V-8 4.6 Litre	5 Spd Auto	
		2 Dr Conv	Six 2.5 Litre	5 Spd Auto, 5 Spd Std	
		2 Dr Conv	Six 3.0 Litre	5 Spd Auto, 5 Spd Std	
		2 Dr Coupe	Six 2.5 Litre	5 Spd Auto, 5 Spd Std	
Z8		2 Dr Coupe	Six 3.0 Litre	5 Spd Auto, 5 Spd Std	
		2 Dr Conv	V-8 5.0 Litre	6 Spd Std	

Cont.

IDENTIFICATION

MODEL REFERENCE (Cont.)

YEAR	MODEL	BODY STYLE	ENGINE	TRANSMISSION	
2003	325Ci	2 Dr Conv	Six 2.5 Litre	5 Spd Auto, 5 Spd Std	
		2 Dr Coupe	Six 2.5 Litre	5 Spd Auto, 5 Spd Std	
	325i	4 Dr Sedan	Six 2.5 Litre	5 Spd Auto, 5 Spd Std	
		4 Dr Wagon	Six 2.5 Litre	5 Spd Auto, 5 Spd Std	
	325Xi	4 Dr Sedan	Six 2.5 Litre	5 Spd Auto, 5 Spd Std	
		4 Dr Wagon	Six 2.5 Litre	5 Spd Auto, 5 Spd Std	
	330Ci	2 Dr Conv	Six 3.0 Litre	5 Spd Auto, 5 Spd Std	
		2 Dr Coupe	Six 3.0 Litre	5 Spd Auto, 5 Spd Std	
	330i	4 Dr Sedan	Six 3.0 Litre	5 Spd Auto, 5 Spd Std	
	330Xi	4 Dr Sedan	Six 3.0 Litre	5 Spd Auto, 5 Spd Std	
	525i	4 Dr Sedan	Six 2.5 Litre	5 Spd Auto, 5 Spd Std	
		4 Dr Wagon	Six 2.5 Litre	5 Spd Auto, 5 Spd Std	
	530i	4 Dr Sedan	Six 3.0 Litre	5 Spd Auto, 5 Spd Std	
	540i	4 Dr Sedan	V-8 4.4 Litre	5 Spd Auto, 6 Spd Std	
		4 Dr Wagon	V-8 4.4 Litre	5 Spd Auto	
	745i	4 Dr Sedan	V-8 4.4 Litre	6 Spd Auto	
	745Li	4 Dr Sedan	V-8 4.4 Litre	6 Spd Auto	
	760Li	4 Dr Sedan	V-12 6.0 Litre	6 Spd Auto	
	M3	2 Dr Conv	Six 3.2 Litre	6 Spd Std	
		2 Dr Coupe	Six 3.2 Litre	6 Spd Std	
	M5	4 Dr Sedan	V-8 5.0 Litre	6 Spd Std	
		4 Dr Utility	Six 3.0 Litre	5 Spd Auto, 5 Spd Std	
	X5	4 Dr Utility	V-8 4.4 Litre	5 Spd Auto	
		4 Dr Utility	V-8 4.6 Litre	5 Spd Auto	
	Z4	2 Dr Conv	Six 2.5 Litre	5 Spd Auto, 5 Spd Std	
		2 Dr Conv	Six 3.0 Litre	5 Spd Auto, 6 Spd Std	
	Z8	2 Dr Conv	V-8 4.8 Litre	5 Spd Auto	
		2 Dr Conv	V-8 5.0 Litre	6 Spd Std	
	2004	325Ci	2 Dr Conv	Six 2.5 Litre	5 Spd Auto, 5 Spd Std, 6 Spd Std
			2 Dr Coupe	Six 2.5 Litre	5 Spd Auto, 5 Spd Std, 6 Spd Std
		325i	4 Dr Sedan	Six 2.5 Litre	5 Spd Auto, 5 Spd Std, 6 Spd Std
			4 Dr Wagon	Six 2.5 Litre	5 Spd Auto, 5 Spd Std, 6 Spd Std
325Xi		4 Dr Sedan	Six 2.5 Litre	5 Spd Auto, 5 Spd Std	
		4 Dr Wagon	Six 2.5 Litre	5 Spd Auto, 5 Spd Std	
330Ci		2 Dr Conv	Six 3.0 Litre	5 Spd Auto, 6 Spd Std	
		2 Dr Coupe	Six 3.0 Litre	5 Spd Auto, 6 Spd Std	
330i		4 Dr Sedan	Six 3.0 Litre	5 Spd Auto, 6 Spd Std	
330Xi		4 Dr Sedan	Six 3.0 Litre	5 Spd Auto, 6 Spd Std	
525i		4 Dr Sedan	Six 2.5 Litre	5 Spd Auto, 5 Spd Std, 6 Spd Std	
		4 Dr Sedan	Six 2.5 Litre	6 Spd Auto, 6 Spd Std	
530i		4 Dr Sedan	Six 3.0 Litre	6 Spd Auto, 6 Spd Std	
545i		4 Dr Sedan	V-8 4.4 Litre	6 Spd Auto, 6 Spd Std	
645Ci		2 Dr Conv	V-8 4.4 Litre	6 Spd Auto, 6 Spd Std	
		2 Dr Coupe	V-8 4.4 Litre	6 Spd Auto, 6 Spd Std	
745i		4 Dr Sedan	V-8 4.4 Litre	6 Spd Auto	
745Li		4 Dr Sedan	V-8 4.4 Litre	6 Spd Auto	
760i		4 Dr Sedan	V-12 6.0 Litre	6 Spd Auto	
760Li		4 Dr Sedan	V-12 6.0 Litre	6 Spd Auto	
M3		2 Dr Conv	Six 3.2 Litre	6 Spd Std	
		2 Dr Coupe	Six 3.2 Litre	6 Spd Std	
X3		4 Dr Utility	Six 2.5 Litre	5 Spd Auto, 6 Spd Std	
		4 Dr Utility	Six 3.0 Litre	5 Spd Auto, 6 Spd Std	
X5		4 Dr Utility	Six 3.0 Litre	5 Spd Auto, 6 Spd Std	
		4 Dr Utility	V-8 4.4 Litre	6 Spd Auto	
Z4		4 Dr Utility	V-8 4.8 Litre	6 Spd Auto	
		2 Dr Conv	Six 2.5 Litre	5 Spd Auto, 5 Spd Std, 6 Spd Std	
			2 Dr Conv	Six 3.0 Litre	5 Spd Auto, 6 Spd Std

IDENTIFICATION

MODEL REFERENCE (Cont.)

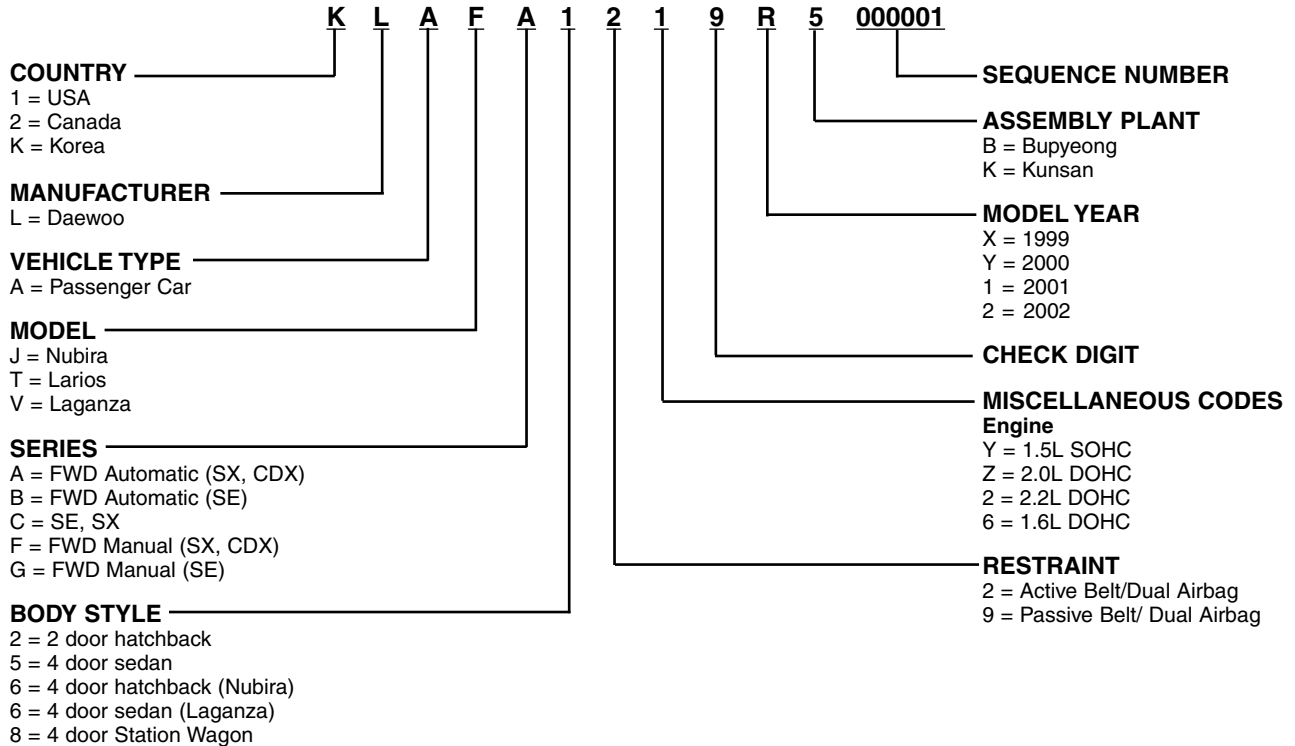
YEAR	MODEL	BODY STYLE	ENGINE	TRANSMISSION	
2005	325Ci	2 Dr Conv	Six 2.5 Litre	5 Spd Auto, 5 Spd Std	
		2 Dr Coupe	Six 2.5 Litre	5 Spd Auto, 5 Spd Std	
	325i	4 Dr Sedan	Six 2.5 Litre	5 Spd Auto, 5 Spd Std	
		4 Dr Wagon	Six 2.5 Litre	5 Spd Auto, 5 Spd Std	
	325Xi	4 Dr Sedan	Six 2.5 Litre	5 Spd Auto, 5 Spd Std	
		4 Dr Wagon	Six 2.5 Litre	5 Spd Auto, 5 Spd Std	
	330Ci	2 Dr Conv	Six 3.0 Litre	5 Spd Auto, 6 Spd Std	
		2 Dr Coupe	Six 3.0 Litre	5 Spd Auto, 6 Spd Std	
	330i	4 Dr Sedan	Six 3.0 Litre	5 Spd Auto, 6 Spd Std	
	330Xi	4 Dr Sedan	Six 3.0 Litre	5 Spd Auto, 6 Spd Std	
	525i	4 Dr Sedan	Six 2.5 Litre	6 Spd Auto, 6 Spd Std	
	530i	4 Dr Sedan	Six 3.0 Litre	6 Spd Auto, 6 Spd Std	
	545i	4 Dr Sedan	V-8 4.4 Litre	6 Spd Auto, 6 Spd Std	
	645Ci	2 Dr Conv	V-8 4.4 Litre	6 Spd Auto, 6 Spd Std	
		2 Dr Coupe	V-8 4.4 Litre	6 Spd Auto, 6 Spd Std	
	745i	4 Dr Sedan	V-8 4.4 Litre	6 Spd Auto	
	745Li	4 Dr Sedan	V-8 4.4 Litre	6 Spd Auto	
	760i	4 Dr Sedan	V-12 6.0 Litre	6 Spd Auto	
	760Li	4 Dr Sedan	V-12 6.0 Litre	6 Spd Auto	
	M3	2 Dr Conv	Six 3.2 Litre	6 Spd Std	
		2 Dr Coupe	Six 3.2 Litre	6 Spd Std	
	X3	4 Dr Utility	Six 2.5 Litre	5 Spd Auto, 6 Spd Std	
		4 Dr Utility	Six 3.0 Litre	5 Spd Auto, 6 Spd Std	
	X5	4 Dr Utility	Six 3.0 Litre	5 Spd Auto, 6 Spd Std	
		4 Dr Utility	V-8 4.4 Litre	6 Spd Auto	
	Z4	4 Dr Utility	V-8 4.8 Litre	6 Spd Auto	
		2 Dr Conv	Six 2.5 Litre	5 Spd Auto, 5 Spd Std	
			2 Dr Conv	Six 3.0 Litre	5 Spd Auto, 6 Spd Std
	2006-07	325Ci	2 Dr Conv	Six 2.5 Litre	5 Spd Auto, 5 Spd Std
			2 Dr Coupe	Six 2.5 Litre	5 Spd Auto, 5 Spd Std
		325i	4 Dr Sedan	Six 3.0 Litre	6 Spd Auto, 6 Spd Std
		325Xi	4 Dr Sedan	Six 3.0 Litre	6 Spd Auto, 6 Spd Std
			4 Dr Wagon	Six 3.0 Litre	6 Spd Auto, 6 Spd Std
		328i	2 Dr Coupe	Six 3.0 Litre	6 Spd Auto, 6 Spd Std
4 Dr Sedan			Six 3.0 Litre	6 Spd Auto, 6 Spd Std	
328xi		4 Dr Wagon	Six 3.0 Litre	6 Spd Auto, 6 Spd Std	
		2 Dr Coupe	Six 3.0 Litre	6 Spd Auto, 6 Spd Std	
330Ci		4 Dr Sedan	Six 3.0 Litre	6 Spd Auto, 6 Spd Std	
		4 Dr Wagon	Six 3.0 Litre	6 Spd Auto, 6 Spd Std	
330i		2 Dr Conv	Six 3.0 Litre	5 Spd Auto, 6 Spd Std	
		2 Dr Coupe	Six 3.0 Litre	5 Spd Auto, 6 Spd Std	
330Xi		4 Dr Sedan	Six 3.0 Litre	6 Spd Auto, 6 Spd Std	
335i		4 Dr Sedan	Six 3.0 Litre	6 Spd Auto, 6 Spd Std	
		4 Dr Wagon	Six 3.0 Litre	6 Spd Auto, 6 Spd Std	
525i		2 Dr Coupe	Six 3.0 Litre	6 Spd Auto, 6 Spd Std	
525Xi		4 Dr Sedan	Six 3.0 Litre	6 Spd Auto, 6 Spd Std	
530i		4 Dr Sedan	Six 3.0 Litre	6 Spd Auto, 6 Spd Std	
530Xi		4 Dr Sedan	Six 3.0 Litre	6 Spd Auto, 6 Spd Std	
		4 Dr Wagon	Six 3.0 Litre	6 Spd Auto, 6 Spd Std	
550i		4 Dr Sedan	V-8 4.8 Litre	6 Spd Auto, 6 Spd Std	
650i		4 Dr Sedan	V-8 4.8 Litre	6 Spd Auto, 6 Spd Std	
		2 Dr Conv	V-8 4.8 Litre	6 Spd Auto, 6 Spd Std	
750i		2 Dr Coupe	V-8 4.8 Litre	6 Spd Auto, 6 Spd Std	
750Li		4 Dr Sedan	V-8 4.8 Litre	6 Spd Auto	
760i		4 Dr Sedan	V-12 6.0 Litre	6 Spd Auto	
760Li		4 Dr Sedan	V-12 6.0 Litre	6 Spd Auto	
M Coupe		2 Dr Coupe	I6 3.2 Litre	6 Spd Std	
M Roadster		2 Dr Conv	Six 3.2 Litre	6 Spd Std	
M3		2 Dr Conv	Six 3.2 Litre	6 Spd Std	
		2 Dr Coupe	Six 3.2 Litre	6 Spd Std	
M5		4 Dr Sedan	V-10 5.0 Litre	7 Spd Std	
M6		2 Dr Coupe	V-10 5.0 Litre	7 Spd Std	
X3		4 Dr Utility	Six 3.0 Litre	5 Spd Auto, 6 Spd Std ('06)	
		4 Dr Utility	Six 3.0 Litre	6 Spd Auto, 6 Spd Std ('07)	
X5		4 Dr Utility	Six 3.0 Litre	5 Spd Auto, 6 Spd Std ('06)	
		4 Dr Utility	Six 3.0 Litre	6 Spd Auto ('07)	
Z4		4 Dr Utility	V-8 4.4 Litre	6 Spd Auto	
		4 Dr Utility	V-8 4.8 Litre	6 Spd Auto	
Z4		2 Dr Conv	Six 3.0 Litre	6 Spd Auto, 6 Spd Std	
		2 Dr Coupe	Six 3.0 Litre	6 Spd Auto, 6 Spd Std	

IDENTIFICATION

IDENTIFICATION NUMBER OR PLATE LOCATION

The Vehicle Identification Number (V.I.N.) is stamped on a metal plate. The plate is attached to the upper left corner of the instrument panel and is visible from outside the vehicle through the windshield. The number can also be found on a plate located on the top ledge of the firewall under the hood.

1999-2002



VEHICLE CERTIFICATION LABEL

The Vehicle Certification label is affixed to the left-hand door jamb. The upper half of the label contains the name of the manufacturer, day, month, and year of manufacture, Gross Vehicle Weight Rating (GVWR), Gross Axle Weight Rating (GAWR), and the certification statement. The Vehicle Certification Label also contains the Vehicle Identification Number (VIN). Following the VIN is the vehicle type, exterior paint color, body type, vinyl roof code, moulding color, interior trim color, tape stripe code, radio type, sunroof/moonroof code, transaxle ratio, transaxle type.

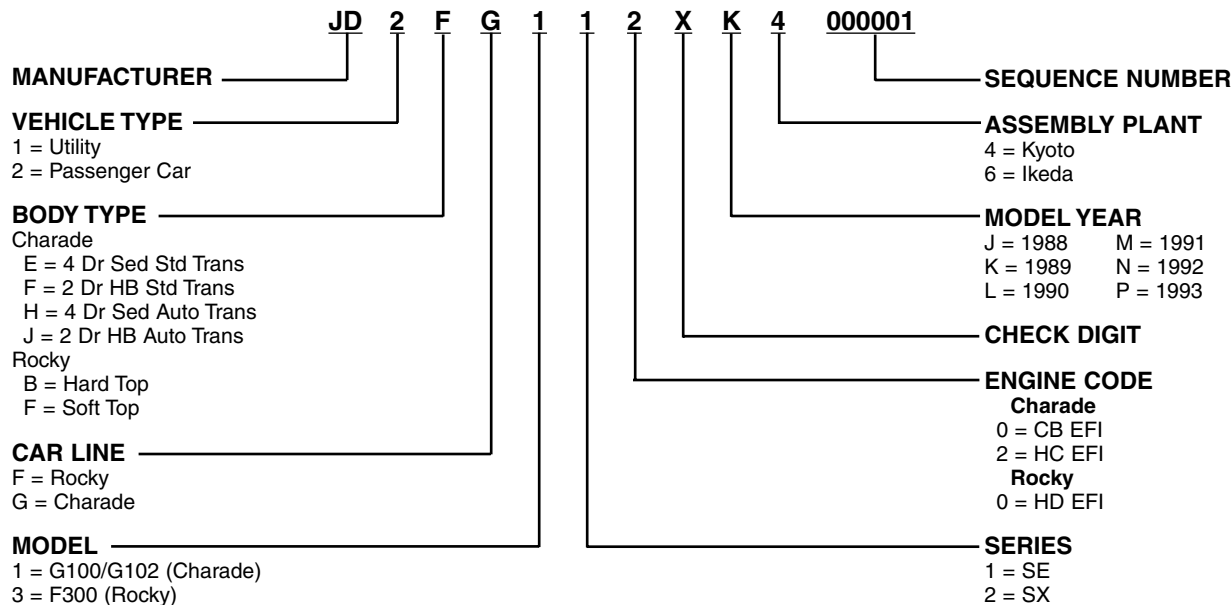
IDENTIFICATION

DAIHATSU

IDENTIFICATION NUMBER OR PLATE LOCATION

Identification number is visible through windshield on left top of dash panel and on the front cowl of engine compartment.

1988-93



MODEL REFERENCE

YEAR	MODEL	BODY STYLE	ENGINE
1988-89	Charade	2 Dr Hatchback	Three 1.0 Litre
1990-93	Charade	2 Dr Hatchback	Three 1.0 Litre
		4 Dr Sedan	Four 1.3 Litre
	Rocky	Utility	Four 1.3 Litre Four 1.6 Litre

ENGINE IDENTIFICATION NUMBER LOCATION

Charade
 3 Cyl - Engine serial number is stamped on the front side of the cylinder head.
 4 Cyl - Engine serial number is stamped on transaxle side of cylinder block.
Rocky - Engine serial number is stamped on left rear of cylinder block.

ENGINE IDENTIFICATION CODES

DISPLACEMENT	ENGINE CODE
1.0 Litre 993cc	CB
1.3 Litre 1295cc	HC
1.6 Litre 1589cc	HD

IDENTIFICATION

IDENTIFICATION NUMBER OR PLATE LOCATION

Identification plate is located on the left front pillar or on the left side of the dash panel.

MODEL & YEAR	CHASSIS IDENTIFICATION CODES
1973 (Civic 1200)	1007001 thru 110000
1974 (Civic 1200)	2100001 thru 230000
1975 (Civic)	
CVCC	1000001 thru 2000000
1200	3300001 thru 4000000
1976	
Accord	1000001 thru 1018956
Civic	
CVCC	2000001 thru 3000000
1200	4000001 thru 5000000
1977	
Accord	2000001 & Up
Civic	
CVCC	3000001 thru 4000000
1200	5000001 thru 6000000
1978	
Accord	2000001 & Up
Civic	
CVCC	4000001 thru 5000000
1200	6000001 thru 7000000
1979	
Accord	2000001 & Up
Civic	
CVCC	5000001 thru 6000000
1200	7000001 thru 8000000
Prelude	1000001 thru 2000000
1980	
Accord	2000001 & Up
Civic	
1300	1000001 thru 2000000
1500	1000001 & Up
Prelude	2000001 & Up
1981	
Accord,Prelude	BC000001 & Up
Civic	BS000001 & Up
1982	
Accord,Civic	CC000001 & Up
Prelude	C00000 & Up
1983	
Accord,Prelude	DC000001 & Up
Civic	DS000001 & Up
1984	
Accord	EA,EA1,EC000001 & Up
Civic	
1300	ES000001 & Up
1500	EC,ES000001 & Up
Prelude	EC000001 & Up
1985	
Accord	
Ohio Plant	FA000001 & Up
Japan Plant	FC000001 & Up
Civic	
2 Door	FS000001 & Up
4 Door	
Sed	FS000001 & Up
S/W	FC000001 & Up
Prelude	FC000001 & Up
1986	
Accord	
Ohio Plant	GA000001 & Up
Japan Plant	GC000001 & Up
Civic	
2 Door	GS000001 & Up
4 Door	
Sed	GS000001 & Up
S/W	GC000001 & Up
Prelude	GC000001 & Up

IDENTIFICATION

IDENTIFICATION NUMBER OR PLATE LOCATION (Cont.)

MODEL & YEAR	CHASSIS IDENTIFICATION CODES
1987	
Accord	
Ohio Plant	HA000001 & Up
Japan Plant	HC000001 & Up
Civic	
2 Door	HS000001 & Up
4 Door	
Sed	HS000001 & Up
S/W	HC000001 & Up
Prelude	HC000001 & Up
1988	
Accord	
Ohio Plant	JA000001 & Up
Japan Plant	JC000001 & Up
Civic, CRX	
2 Door	JS000001 & Up
3 Door	
Canada Plant	JH5000001 & Up
Japan Plant	JS000001 & Up
4 Door	
Sed	
Ohio Plant	JA000001 & Up
Japan Plant	JS000001 & Up
S/W	JS000001 & Up
Prelude	JC000001 & Up
1989	
Accord	
Ohio Plant	KA000001 & Up
Japan Plant	KC000001 & Up
Civic, CRX	
Canada Plant	KH000001 & Up
Japan Plant	KC000001 & Up
Ohio Plant	KA000001 & Up
Prelude	KC000001 & Up
1990	
Accord	
Ohio Plant	LA000001 & Up
Japan Plant	LC000001 & Up
Civic, CRX	
Canada Plant	LH000001 & Up
Japan Plant	LS000001 & Up
Ohio Plant	
(East Liberty)	LL000001 & Up
(Marysville)	LA000001 & Up
Prelude	LC000001 & Up
1991	
Accord	
Ohio Plant	MA000001 & Up
Japan Plant	MC000001 & Up
Civic, CRX	
Canada Plant	MH000001 & Up
Japan Plant	MS000001 & Up
Ohio Plant	ML000001 & Up
Prelude	MC000001 & Up
1992	
Accord	
Ohio Plant	NA000001 & Up
Japan Plant	NC000001 & Up
Civic	
Canada Plant	NH5000001 & Up
Ohio Plant	NL000001 & Up
Japan Plant	NS000001 & Up
Prelude	NC000001 & Up
1993	
Accord	
Ohio Plant	PA000001 & Up
Japan Plant	PC000001 & Up
Civic, del Sol	
Ohio Plant	PL000001 & Up
Japan Plant	PS000001 & Up
Prelude	PC000001 & Up

IDENTIFICATION

IDENTIFICATION NUMBER OR PLATE LOCATION (Cont.)

MODEL & YEAR	CHASSIS IDENTIFICATION CODES
1994	
Accord	
Japan Plant	RC000001 & UP
Ohio Plant	RA000001 & Up
Civic, del Sol	
Canada Plant	RH500001 & Up
Japan Plant	RS000001 & Up
Ohio Plant	RL000001 & Up
Passport	R4400001 & Up
Prelude	RC000001 & Up
1995	
Accord	
Japan Plant	SC0000001 & UP
Ohio Plant	SA0000001 & Up
Civic	
Canada Plant	SH5000001 & Up
Japan Plant	SS000001 & Up
Ohio Plant	SL000001 & Up
del Sol	SS000001 & Up
Odyssey	SC000001 & Up
Passport	S4400001 & Up
Prelude	SC000001 & Up
1996	
Accord	
Japan Plant	TC0000001 & Up
Ohio Plant	TA0000001 & Up
Civic	
Canada Plant	
HB	TH100001 & Up
Sed	TH500001 & Up
Japan Plant	T5000001 & Up
Ohio Plant	TL0000001 & Up
del Sol	TS000001 & Up
Odyssey	TC000001 & Up
Passport	T4400001 & Up
Prelude	TC000001 & Up
1997	
Accord	VA0000001 & Up
Civic	
Coupe	VL000001 & Up
HB	VH100001 & Up
Sed	
Japan Plant	VS000001 & Up
Ohio Plant	VL000001 & Up
CR-V	VC000001 & Up
del Sol	VS000001 & Up
Odyssey	VC000001 & Up
Passport	V4400001 & Up
Prelude	VC000001 & Up
1998	
Accord	WA0000001 & Up
Civic	
Coupe	WL000001 & Up
HB	WH100001 & Up
Sed	
Japan Plant	WS000001 & Up
Ohio Plant	WL000001 & Up
CR-V	WC030001 & Up
Odyssey	WC000001 & Up
Passport	W4400001 & Up
Prelude	WC000001 & Up
1999	
Accord	XA000001 & Up
Civic	
Cpe,Sed	XL000001 & Up
HB	XH000001 & Up
CR-V	XC000001 & Up
Odyssey	XH500001 & Up
Passport	X4400001 & Up
Prelude	XC000001 & Up

IDENTIFICATION

IDENTIFICATION NUMBER OR PLATE LOCATION (Cont.)

MODEL & YEAR	CHASSIS IDENTIFICATION CODES
2000	
Accord	YA000001 & Up
Civic	
Cpe,Sed	YL000001 & Up
HB	YH000001 & Up
CR-V	YC000001 & Up
Odyssey	YH500001 & Up
Passport	Y4400001 & Up
Prelude	YC000001 & Up
Insight	YT000001 & Up
S-2000	YT000001 & Up
2001	
Accord	
Cpe	
Four Cyl	
w/Calif E.C.S.	F23A4-4000001 & Up
w/o Calif. E.C.S.	F23A1-4000001 & Up
V6	J30A1-4000001 & Up
Sed	
Japan Plant	
w/Calif E.C.S.	F23A4-4500001 & Up
w/o Calif. E.C.S.	F23A1-4500001 & Up
Ohio Plant	
Four Cyl	
DX Models	F23A5-4000001 & Up
EX, LX Models	
w/Calif E.C.S.	F23A4-4000001 & Up
w/o Calif E.C.S.	F23A1-4000001 & Up
V6	J30A1-4000001 & Up
Civic	
2 Door DX-LX	D17A1-14000001 & Up
2 Door EX	D17A2-14000001 & Up
2 Door HX	D17A6-14000001 & Up
4 Door DX-LX	D17A1-14000001 & Up
4 Door EX	D17A2-14000001 & Up
CRV	B20Z2-5000001 & Up
Insight	ECA1-1000001 & Up
Odyssey	J35A1-3000001 & Up
Passport	RLV
S2000	FC20CI-1010001 & Up
Prelude	
Base	H22A4-5000001 & Up
Si	H22A4-5000001 & Up

IDENTIFICATION

IDENTIFICATION NUMBER OR PLATE LOCATION (Cont.)

MODEL & YEAR	CHASSIS IDENTIFICATION CODES
2002-2003	
Accord	
Cpe	
Four Cyl	
w/Calif E.C.S.	F23A4-5000001 & Up
w/o Calif. E.C.S.	F23A1-5000001 & Up
V6	J30A1-5000001 & Up
Sed	
Japan Plant	
w/Calif E.C.S.	F23A4-5500001 & Up
w/o Calif. E.C.S.	F23A1-5500001 & Up
Ohio Plant	
Four Cyl	
DX Models	F23A5-5000001 & Up
EX, LX Models	
w/Calif E.C.S.	F23A4-5000001 & Up
w/o Calif E.C.S.	F23A1-5000001 & Up
V6	J30A1-5000001 & Up
Civic	
2 Door DX-LX	D17A1-10000001 & Up
2 Door EX	D17A2-10000001 & Up
2 Door HX	D17A6-10000001 & Up
4 Door DX-LX	D17A1-10000001 & Up
4 Door EX	D17A2-10000001 & Up
CRV	K24A1-15000001 & Up
Element	N.A.
Insight	ECA1-1020001 & Up
Odyssey	
US Plant	J35A4-1000001 & Up
Canada Plant	J35A4-15000001 & Up
Passport	W 24400001 & Up
Pilot	N.A.
S2000	FC20CI-1020001 & Up
2004-2007	
Information is not available	

IDENTIFICATION

MODEL REFERENCE

YEAR & MODEL	ENGINE	TRANS TYPE
1973-74 (Civic 1200)	Four 1157cc (71 C.I.)	4 Spd Std 2 Spd Auto
1975 (Civic) CVCC	Four 1488cc (91 C.I.)	4 & 5 Spd Std 2 Spd Auto
1200	Four 1223cc (75 C.I.) 2 Spd Auto	4 Spd Std
1976-78 Accord	Four 1597cc (98 C.I.)	5 Spd Std 2 Spd Auto
Civic CVCC	Four 1488cc (91 C.I.) 2 Spd Auto	4 & 5 Spd Std
1200	Four 1223 (75 C.I.)	4 Spd Std 2 Spd Auto
1979 Accord	Four 1597cc (98 C.I.)	5 Spd Std 2 Spd Auto
Civic CVCC	Four 1488cc (91 C.I.)	4 & 5 Spd Std 2 Spd Auto
1200	Four 1223cc (75 C.I.)	4 Spd Std 2 Spd Auto
Prelude	Four 1751cc (107 C.I.)	5 Spd Std 2 Spd Auto
1980 Accord	Four 1751cc (107 C.I.)	5 Spd Std 3 Spd Auto
Civic (CVCC) 1300	Four 1335cc (81 C.I.)	4 & 5 Spd Std
1500	Four 1488cc (91 C.I.)	4 & 5 Spd Std 2 Spd Auto
Prelude	Four 1751cc (107 C.I.)	5 Spd Std 3 Spd Auto
1981-82 Accord	Four 1751cc (107 C.I.)	5 Spd Std 3 Spd Auto
Civic (CVCC) 1300	Four 1335cc (81 C.I.)	4 & 5 Spd Std 3 Spd Auto
1500	Four 1488cc (91 C.I.)	5 Spd Std 3 Spd Auto
Prelude	Four 1751cc (107 C.I.)	5 Spd Std 3 Spd Auto
1983 Accord	Four 1751cc (107 C.I.)	5 Spd Std 4 Spd Auto
Civic (CVCC) 1300	Four 1335cc (79 C.I.)	4 & 5 Spd Std
1500	Four 1488cc (91 C.I.)	5 Spd Std 3 Spd Auto
Prelude	Four 1829cc (112 C.I.)	5 Spd Std 4 Spd Auto
1984 Accord	Four 1829cc (112 C.I.)	5 Spd Std 4 Spd Auto
Civic (CVCC), CRX 1300	Four 1342cc (82 C.I.)	4 Spd Std
1500	Four 1488cc (91 C.I.) 3 Spd Auto	5 Spd Std
Prelude	Four 1829cc (112 C.I.)	5 Spd Std 4 Spd Auto
1985 Accord	Four 1829cc (112 C.I.)	5 Spd Std 4 Spd Auto
Civic, CRX 1300	Four 1342cc (82 C.I.)	4 Spd Std
1500	Four 1488cc (91 C.I.)	5 Spd Std 6 Spd Std (4x4)
Prelude	Four 1829cc (112 C.I.)	3 Spd Auto 5 Spd Std 4 Spd Auto

IDENTIFICATION

MODEL REFERENCE (Cont.)

YEAR & MODEL	ENGINE	TRANS TYPE
1986-87		
Accord	Four 1955cc (119 C.I.)	5 Spd Std 4 Spd Auto
Civic, CRX		
1300	Four 1342cc (82 C.I.)	4 Spd Std
1500	Four 1488cc (91 C.I.)	5 Spd Std 6 Spd Std (4x4)
Prelude	Four 1829cc (112 C.I.)	4 Spd Auto 5 Spd Std
Prelude Si	Four 1955cc (119 C.I.)	4 Spd Auto 5 Spd Std 4 Spd Auto
1988		
Accord	Four 1955cc	5 Spd Std 4 Spd Auto
Civic, CRX		
1500	Four 1493cc	4 Spd Std
1600	Four 1590cc	5 Spd Std 6 Spd Std (4x4)
Prelude	Four 1958cc	4 Spd Auto 5 Spd Std 4 Spd Auto
1989		
Accord	Four 1955cc	5 Spd Std 4 Spd Auto
Civic, CRX	Four 1493cc Four 1590cc	4 Spd Auto, 5 Spd Std 5 Spd Std
Prelude	Four 1958cc	4 Spd Auto 5 Spd Std 4 Spd Auto
1990		
Accord	Four 2156cc	5 Spd Std 4 Spd Auto
Civic, CRX	Four 1493cc (8V) Four 1493cc (16V)	5 Spd Std 5 Spd Std 4 Spd Auto
Prelude	Four 1590cc Four 1958cc (16V) Four 1958cc (12V)	5 Spd Std 4 Spd Auto 5 Spd Std 4 Spd Auto 5 Spd Std 4 Spd Auto
1991		
Accord	Four 2.2L (16V)	5 Spd Std 4 Spd Auto
Civic, CRX	Four 1.5L (8V) Four 1.5L (16V) Four 1.6L (16V)	5 Spd Std 5 Spd Std 4 Spd Auto
Prelude	Four 2.0L (16V) Four 2.1L (16V)	5 Spd Std 4 Spd Auto 5 Spd Std 4 Spd Auto
1992-93		
Accord	Four 2.2L (16V)	5 Spd Std 4 Spd Auto
Civic, del Sol	Four 1.5L (8V) Four 1.5L (16V)	5 Spd Std 5 Spd Std 4 Spd Auto
Prelude	Four 1.5L (16V) VTEC-E Four 1.6L (16V) VTEC Four 1.6L (16V) Four 2.2L (16V) Four 2.2L (16V) VTEC Four 2.3L (16V)	5 Spd Std 5 Spd Std 5 Spd Std 4 Spd Auto 5 Spd Std 4 Spd Auto 4 Spd Auto 5 Spd Std 4 Spd Auto

IDENTIFICATION

MODEL REFERENCE (Cont.)

YEAR & MODEL	ENGINE	TRANS TYPE
1994		
Accord	Four 2.2L (16V)	5 Spd Std 4 Spd Auto
	Four 2.2L (16V) VTEC	5 Spd Std 4 Spd Auto
Civic, del Sol	Four 1.5L (8V)	5 Spd Std 4 Spd Auto
	Four 1.5L (16V)	5 Spd Std 4 Spd Auto
	Four 1.5L (16V) VTEC-E	5 Spd Std 4 Spd Auto
	Four 1.6L (16V)	5 Spd Std 4 Spd Auto
	Four 1.6L (16V) VTEC	5 Spd Std 4 Spd Auto
	Four 1.6L (16V) VTEC	5 Spd Std 4 Spd Auto
Passport	Four 2.6L (8V)	5 Spd Std
	V6 3.2L (24V)	5 Spd Std
Prelude	Four 2.2L (16V)	4 Spd Auto 5 Spd Std
	Four 2.2L (16V) VTEC	4 Spd Auto 5 Spd Std
	Four 2.3L (16V)	4 Spd Auto 5 Spd Std
1995		
Accord	Four 2.2L (16V)	5 Spd Std 4 Spd Auto
	Four 2.2L (16V) VTEC	5 Spd Std 4 Spd Auto
Civic, del Sol	V6 2.7L (24V)	4 Spd Auto
	Four 1.5L (8V)	5 Spd Std 4 Spd Auto
	Four 1.5L (16V)	5 Spd Std 4 Spd Auto
	Four 1.5L (16V) VTEC-E	5 Spd Std 4 Spd Auto
	Four 1.6L (16V)	5 Spd Std 4 Spd Auto
	Four 1.6L (16V) VTEC	5 Spd Std 4 Spd Auto
Odyssey Passport	Four 2.2L (16V)	4 Spd Auto
	Four 2.6L (8V)	5 Spd Std
Prelude	V6 3.2L (24V)	4 Spd Auto
	Four 2.2L (16V)	5 Spd Std 4 Spd Auto
	Four 2.2L (16V) VTEC	5 Spd Std 4 Spd Auto
Prelude	Four 2.3L (16V)	5 Spd Std 4 Spd Auto
	Four 2.3L (16V)	5 Spd Std 4 Spd Auto
	Four 2.3L (16V)	5 Spd Std 4 Spd Auto
1996		
Accord	Four 2.2L (16V)	5 Spd Std 4 Spd Auto
	Four 2.2L (16V) VTEC	5 Spd Std 4 Spd Auto
Civic, del Sol	V6 2.7L (24V)	4 Spd Auto
	Four 1.6L (16V)	5 Spd Std 4 Spd Auto
	Four 1.6L (16V) VTEC	5 Spd Std 4 Spd Auto
	Four 1.6L (16V) VTEC-E	5 Spd Std 4 Spd Auto
Odyssey Passport	Four 2.2L (16V)	4 Spd Auto
	Four 2.6L (8V)	5 Spd Std
	V6 3.2L (24V)	5 Spd Std
Prelude	Four 2.2L (16V)	4 Spd Auto 5 Spd Std
	Four 2.2L (16V) VTEC	4 Spd Auto 5 Spd Std
	Four 2.3L (16V)	4 Spd Auto 5 Spd Std

IDENTIFICATION

MODEL REFERENCE (Cont.)

YEAR & MODEL	ENGINE	TRANS TYPE
1997		
Accord	Four 2.2L (16V)	5 Spd Man 4 Spd Auto
	Four 2.2L (16V) VTEC	5 Spd Man 4 Spd Auto
Civic, del Sol	V6 2.7L (24V)	4 Spd Auto
	Four 1.6L (16V)	4 Spd Auto
	Four 1.6L (16V) VTEC	5 Spd Man 4 Spd Auto
	Four 1.6L (16V) VTEC-E	5 Spd Man 4 Spd Auto
CR-V	Four 2.0L (16V)	4 Spd Auto
Odyssey	Four 2.2L (16V)	4 Spd Auto
Passport	V6 3.2L (24V)	5 Spd Man 4 Spd Auto
	Four 2.2L (16V) VTEC	5 Spd Man 4 Spd Auto
Prelude	Four 2.2L (16V) VTEC	5 Spd Man 4 Spd Auto
1998		
Accord	Four 2.3L (16V)	5 Spd Man 4 Spd Auto
	V6 3.0L (24V)	4 Spd Auto
Civic	Four 1.6L (16V)	5 Spd Man 4 Spd Auto
	Four 2.0L (16V)	5 Spd Man 4 Spd Auto
CR-V	Four 2.0L (16V)	5 Spd Man 4 Spd Auto
Odyssey	Four 2.3L (16V)	4 Spd Auto
Passport	V6 3.2L (24V)	5 Spd Man 4 Spd Auto
	Four 2.2L (16V)	5 Spd Man 4 Spd Auto
Prelude	Four 2.2L (16V)	5 Spd Man 4 Spd Auto
1999		
Accord	Four 2.3L (16V)	5 Spd Man 4 Spd Auto
	V6 3.0L (24V)	4 Spd Auto
Civic	Four 1.6L (16V)	5 Spd Man 4 Spd Auto
	Four 2.0L (16V)	5 Spd Man 4 Spd Auto
CR-V	Four 2.0L (16V)	5 Spd Man 4 Spd Auto
Odyssey	V6 3.5L (24V)	4 Spd Auto
Passport	V6 3.2L (24V)	5 Spd Man 4 Spd Auto
	Four 2.2L (16V)	5 Spd Man 4 Spd Auto
Prelude	Four 2.2L (16V)	5 Spd Man 4 Spd Auto
2000		
Accord	Four 2.3L (16V)	5 Spd Man 4 Spd Auto
	V6 3.0L (24V)	4 Spd Auto
Civic	Four 1.6L (16V)	5 Spd Man 4 Spd Auto
	Four 2.0L (16V)	5 Spd Man 4 Spd Auto
CRV	Four 2.0L (16V)	5 Spd Man 4 Spd Auto
Odyssey	V6 3.5L (24V)	4 Spd Auto
Passport	V6 3.2L (24V)	5 Spd Man 4 Spd Auto
	Four 2.2L (16V)	5 Spd Man 4 Spd Auto
Prelude	Four 2.2L (16V)	5 Spd Man 4 Spd Auto
Insight	Three 1.0 (12 Valve)	5 Spd Man
	Four 2.0 (16 Valve)	6 Spd Man

IDENTIFICATION

YEAR & MODEL	ENGINE	TRANS TYPE
2001		
Accord	Four 2.3L (16V)	5 Spd Man 4 Spd Auto
	V6 3.0L (24V)	4 Spd Auto
Civic	Four 1.7L (16V)	5 Spd Man 4 Spd Auto CVT Auto
	Four 2.0L (16V)	5 Spd Man 4 Spd Auto
CRV	Four 2.0L (16V)	5 Spd Man 4 Spd Auto
Odyssey	V6 3.5L (24V)	4 Spd Auto
Passport	V6 3.2L (24V)	5 Spd Man 4 Spd Auto
Prelude	Four 2.2L (16V)	5 Spd Man 4 Spd Aut
Insight	Three 1.0 (12 Valve)	5 Spd Man
S2000	Four 2.0 (16 Valve)	6 Spd Man
2002		
Accord	Four 2.3L (16V)	5 Spd Man 4 Spd Auto
	V6 3.0L (24V)	4 Spd Auto
Civic	Four 1.7L (16V)	5 Spd Man 4 Spd Auto CVT Auto
	Four 2.0L (16V)	5 Spd Man 4 Spd Auto
CRV	Four 2.0L (16V)	5 Spd Man 4 Spd Auto
Odyssey	V6 3.5L (24V)	4 Spd Auto
Passport	V6 3.2L (24V)	5 Spd Man 4 Spd Auto
Prelude	Four 2.2L (16V)	5 Spd Man 4 Spd Auto
Insight	Three 1.0 (12 Valve)	5 Spd Man
S2000	Four 2.0 (16 Valve)	6 Spd Man
2003		
Accord	Four 2.4 (16V) V6 3.0 (24V)	5 Spd Auto, 5 Spd Std 5 Spd Auto, 6 Spd Std
Civic	Four 1.3 (16V) Four 1.7 (16V)	5 Spd Std, CVT Auto 5 Spd Auto CVT Auto, 5 Spd Std
	Four 2.0 (16V)	5 Spd Std
CRV	Four 2.4 (16V)	4 Spd Auto, 5 Spd Std
Element	Four 2.4 (16V)	4 Spd Auto, 5 Spd Std
Insight	Three 1.0 (12V)	CVT Auto, 5 Spd Std
Odyssey	V6 3.5 (24V)	5 Spd Auto
Pilot	V6 3.5 (24V)	5 Spd Auto
S2000	Four 2.0 (16V)	6 Spd Std
2004		
Accord	Four 2.4 (16V) CM5/K24A4	5 Spd Auto, 5 Spd Std
	Four 2.4 (16V) CM7/K24A4	5 Spd Auto, 5 Spd Std
	V6 3.0 (24V) CM6/J30A4	5 Spd Auto
	V6 3.0 (24V) CM8/J30A4	5 Spd Auto, 6 Spd Std
Civic	Four 1.3 (16V) ES9/LDA1	5 Spd Std, 1 Spd CVT Auto
	Four 1.7 (16V) EM2/D17A1	4 Spd Auto, 5 Spd Std
	Four 1.7 (16V) EM2/D17A6	1 Spd CVT Auto, 4 Spd Auto, 5 Spd Std
	Four 1.7 (16V) EN2/D17A7	1 Spd CVT Auto
	Four 1.7 (16V) ES1/D17A1	4 Spd Auto, 5 Spd Std
	Four 1.7 (16V) ES2/D17A2	4 Spd Auto, 5 Spd Std
	Four 2.0 (16V) EP3/K20A3	5 Spd Std
	Four 2.4 (16V) RD6/K24A1	4 Spd Auto
CRV	Four 2.4 (16V) RD7/K24A1	4 Spd Auto, 5 Spd Std
	Four 2.4 (16V) YH1/K24A4	4 Spd Auto, 5 Spd Std
Element	Four 2.4 (16V) YH1/K24A4	4 Spd Auto, 5 Spd Std
	Four 2.4 (16V) YH2/K24A4	4 Spd Auto, 5 Spd Std
Insight	Three 1.0 (12V) ZE1/ECA1	1 Spd CVT Auto, 5 Spd Std
Odyssey	V6 3.5 (24V) RL1/J35A4	5 Spd Auto
Pilot	V6 3.5 (24V) YF1/J35A4	5 Spd Auto
S2000	Four 2.2 (16V) AP2/F22C1	6 Spd Std

IDENTIFICATION

MODEL REFERENCE (Cont.)

YEAR & MODEL	ENGINE	TRANS TYPE
2005		
Accord	Four 2.4 (16V) CM5/K24A4	5 Spd Auto, 5 Spd Std
	Four 2.4 (16V) CM7/K24A4	5 Spd Auto, 5 Spd Std
	V6 3.0 (24V) CM6/J30A4	5 Spd Auto
	V6 3.0 (24V)CM8/J30A4	5 Spd Auto, 6 Spd Std
	V6 3.0 (24V)CN3/JNA1	5 Spd Auto
Civic	Four 1.3 (16V) ES9/LDA1	5 Spd Std, 1 Spd CVT Auto
	Four 1.7 (16V) EM2/D17A1	4 Spd Auto, 5 Spd Std
	Four 1.7 (16V) EM2/D17A6	1 Spd CVT Auto, 4 Spd Auto, 5 Spd Std
	Four 1.7 (16V) EN2/D17A7	1 Spd CVT Auto
	Four 1.7 (16V) ES1/D17A1	4 Spd Auto, 5 Spd Std
	Four 1.7 (16V) ES2/D17A2	4 Spd Auto, 5 Spd Std
	Four 2.0 (16V) EP3/K20A3	5 Spd Std
CRV	Four 2.4 (16V) RD6/K24A1	5 Spd Auto
	Four 2.4 (16V) RD7/K24A1	5 Spd Auto, 5 Spd Std
Element	Four 2.4 (16V) YH1/K24A4	4 Spd Auto, 5 Spd Std
	Four 2.4 (16V) YH2/K24A4	4 Spd Auto, 5 Spd Std
	Three 1.0 (12V) ZE1/ECA1	1 Spd CVT Auto, 5 Spd Std
Odyssey	V6 3.5 (24V) RL3/J35A6	5 Spd Auto
	V6 3.5 (24V) RL3/J35A7	5 Spd Auto
	V6 3.5 (24V) YF1/J35A6	5 Spd Auto
Pilot	V6 3.5 (24V) YF1/J35A6	5 Spd Auto
S2000	Four 2.2 (16V) AP2/F22C1	6 Spd Std
2006-07		
Accord	Four 2.4 (16V) CM5/K24A4	5 Spd Auto, 5 Spd Std
	Four 2.4 (16V) CM7/K24A4	5 Spd Auto, 5 Spd Std
	V6 3.0 (24V) CM6/J30A5	5 Spd Auto, 6 Spd Std
	V6 3.0 (24V)CM8/J30A5	5 Spd Auto, 6 Spd Std
	V6 3.0 (24V)CN3/JNA1	5 Spd Auto
Civic	Four 1.3 (16V) ES9/LDA1	5 Spd Std, 1 Spd CVT Auto
	Four 1.8 (16V) FA1/R18A1	5 Spd Auto, 5 Spd Std
	Four 1.8 (16V) FG1/R18A1	5 Spd Auto, 5 Spd Std
	Four 2.0 (16V) EP3/K20A3	6 Spd Std (06)
	Four 2.0 (16V) FG2/K20Z3	6 Spd Std (07)
CRV	Four 2.4 (16V) RD6/K24A1	5 Spd Auto
	Four 2.4 (16V) RD7/K24A1	5 Spd Auto, 5 Spd Std (06)
	Four 2.4 (16V) RD7/K24A1	5 Spd Auto (07)
Element	Four 2.4 (16V) YH1/K24A1	4 Spd Auto, 5 Spd Std
	Four 2.4 (16V) YH2/K24A1	4 Spd Auto, 5 Spd Std
Fit	Four 1.5 (16V) GD3/L15A1	5 Spd Auto, 5 Spd Std
Odyssey	Three 1.0 (12V) ZE1/ECA1	1 Spd CVT Auto, 5 Spd Std
	V6 3.5 (24V) RL3/J35A6	5 Spd Auto
	V6 3.5 (24V) RL3/J35A7	5 Spd Auto
Pilot	V6 3.5 (24V) YF1/J35A9	5 Spd Auto
	V6 3.5 (24V) YF1/J35Z1	5 Spd Auto
	V6 3.5 (24V) YK1/J35A9	5 Spd Auto
Ridgeline	V6 3.5 (24V) YK1/J35A9	5 Spd Auto
S2000	Four 2.2 (16V) AP2/F22C1	6 Spd Std

IDENTIFICATION

ENGINE IDENTIFICATION CODES (Cont.)

ENGINE IDENTIFICATION NUMBER LOCATION

Identification plate is located on the right rear of the engine near the distributor 1973-93.
Identification plate is located on front of engine near motor mount 1994-2007.

MODEL & YEAR	ENGINE IDENTIFICATION CODES	MODEL & YEAR	ENGINE IDENTIFICATION CODES
1973 (Civic 1200)	EB1-100000 thru 1069000	1984 (Cont.)	
1974 (Civic 1200)	EB2-1000001 thru 1076643	w/o Hi Alt'd E.C.S.	EV1-1500001 & Up
1975		1500	
Civic		w/Calif E.C.S.	EW1-1000001 & Up
CVCC	1000001 thru 2000000	w/o Calif E.C.S.	EW1-1500001 & Up
1200	EB2-2000001 thru 3000000	Prelude	
1976		w/Calif E.C.S.	ET2-1000001 & Up
Accord	1000001 thru 1019068	w/o Calif E.C.S.	ET2-1500001 & Up
Civic		1985	
CVCC	2000001 thru 3000000	Accord	
1200	N.A.	Ohio Plant	
1977		w/Fuel Injection	ES3-1200001 & Up
Accord	2000001 & Up	w/o Fuel Injection	ES2-2200001 & Up
Civic		Japan Plant	
CVCC	3000001 thru 4000000	w/Fuel Injection	
1200	N.A.	w/Calif E.C.S.	ES3-1000001 & Up
1978		w/o Calif E.C.S.	ES3-1500001 & Up
Accord		w/o Fuel Injection	
exc LX	2000001 & Up	w/Calif E.C.S.	ES2-2000001 & Up
LX	EK1-2500001 & Up	w/o Calif E.C.S.	
Civic		w/Hi Alt'd E.C.S.	ES2-2900001 & Up
CVCC	4000001 thru 5000000	w/o Hi Alt'd E.C.S.	ES2-2500001 & Up
1200	EB3-1000001 thru 2000000	Civic, CRX	
1979		1300	
Accord		w/Calif E.C.S.	EV1-2000001 & Up
exc LX	2000001 & Up	w/o Calif E.C.S.	
LX	EK1 - 2500001 & Up	w/Hi Alt'd E.C.S.	EV1-2900001 & Up
Civic		w/o Hi Alt'd E.C.S.	EV1-2500001 & Up
CVCC	5000001 & Up	1500	
1200	EB3-2000001 & Up	w/Fuel Injection	
Prelude	EK1-1000001 & Up	w/Calif E.C.S.	EW3-2000001 & Up
1980		w/o Calif E.C.S.	EW3-2500001 & Up
Accord		w/o Fuel Injection	
exc LX	2000001 & Up	w/Calif E.C.S.	EW1-2000001 & Up
LX	EK1-2500001 & Up	w/o Calif E.C.S.	
Civic		w/Hi Alt'd E.C.S.	EW1-2900001 & Up
1300	EJ1-1500001 & Up	w/o Hi Alt'd E.C.S.	EW1-2500001 & Up
1500	EM1-1000001 & Up	Prelude	
Prelude	EK1-2000001 & Up	w/Calif E.C.S.	ET-2000004 & Up
1981		w/o Calif E.C.S.	ET2-2500008 & Up
Accord,Prelude	EK1-3000001 & Up	1986	
Civic		Accord	
1300	EJ1-2000001 & Up	Ohio Plant	
1500	EM1-2000001 & Up	w/Fuel Injection	BT-2200001 & Up
1982		w/o Fuel Injection	BS-1200001 & Up
Accord,Prelude	EK1-4000001 & Up	Japan Plant	
Civic		w/Fuel Injection	
1300	EJ1-2100001 & Up	w/Calif E.C.S.	BT-2000001 & Up
1500	EM1-3100001 & Up	w/o Calif E.C.S.	BT-2500001 & Up
1983		w/o Fuel Injection	
Accord	EK1-5000001 & Up	w/Calif E.C.S.	BS-1000001 & Up
Civic		w/o Calif E.C.S.	BS-1500001 & Up
1300	EJ1-2400001 & Up	Civic, CRX	
1500	EM1-4000001 & Up	1300	
Prelude	ES1-1000001 & Up	w/Calif E.C.S.	EV1-3000001 & Up
1984		w/o Calif E.C.S.	
Accord		w/Hi Alt'd E.C.S.	EV1-3900001 & Up
Calif	ES2-10000001 & Up	w/o Hi Alt'd E.C.S.	EV1-3500001 & Up
Ohio	ES2-12000001 & Up	1500	
All Other States		w/Fuel Injection	
w/Hi Alt'd E.C.S.	ES2-19000001 & Up	w/Calif E.C.S.	EW4-1000001 & Up
w/o Hi Alt'd E.C.S.	ES2-15000001 & Up	w/o Calif E.C.S.	EW4-1500001 & Up
Civic, CRX		w/o Fuel Injection	
1300		w/Calif E.C.S.	EW1-3000001 & Up
w/Calif E.C.S.	EV1-1000001 & Up	w/o Calif E.C.S.	
w/o Calif E.C.S.	EV1-19000001 & Up	w/Hi Alt'd E.C.S.	EW1-3900001 & Up
w/Hi Alt'd E.C.S.		w/o Hi Alt'd E.C.S.	EW1-3500001 & Up

IDENTIFICATION

ENGINE IDENTIFICATION CODES (Cont.)

MODEL & YEAR	ENGINE IDENTIFICATION CODES
1986 (Cont.)	
Prelude	
w/Fuel Injection	
w/Calif E.C.S.	BT-2900001 & Up
w/o Calif E.C.S.	BT-2700001 & Up
w/o Fuel Injection	
w/Calif E.C.S.	ET2-3000001 & Up
w/o Calif E.C.S.	ET2-3500001 & Up
1987	
Accord	
Ohio Plant	
w/Fuel Injection	A20A3-1200001 & Up
w/o Fuel Injection	A20A1-1200001 & Up
Japan Plant	
w/Fuel Injection	
w/Calif E.C.S.	A20A3-1000001 & Up
w/o Calif E.C.S.	A20A3-1500001 & Up
w/o Fuel Injection	
w/Calif E.C.S.	A20A1-1000001 & Up
w/o Calif E.C.S.	A20A1-1500001 & Up
Civic, CRX	
1300	
w/Calif E.C.S.	D13A2-1000001 & Up
w/o Calif E.C.S.	
w/Hi Alt'd E.C.S.	D13A2-1900001 & Up
w/o Hi Alt'd E.C.S.	D13A2-1000001 & Up
1500	
w/Fuel Injection	
w/Calif E.C.S.	D15A3-1000001 & Up
w/o Calif E.C.S.	D15A3-1200001 & Up
w/o Fuel Injection	
w/Calif E.C.S.	D15A2-1000001 & Up
w/o Calif E.C.S.	
Ohio Plant	
w/Hi Alt'd E.C.S.	D15A2-1900001 & Up
w/o Hi Alt'd E.C.S.	D15A2-1700001 & Up
Japan Plant	
D15A2-1200001 & Up	
Prelude	
w/Fuel Injection	
w/Calif E.C.S.	A20A3-1900001 & Up
w/o Calif E.C.S.	A20A3-1600001 & Up
w/o Fuel Injection	
w/Calif E.C.S.	A18A1-1000001 & Up
w/o Calif E.C.S.	A18A1-1500001 & Up
1988	
Accord	
Ohio Plant	
w/Fuel Injection	
w/Calif E.C.S.	A20A3-3100001 & Up
w/o Calif E.C.S.	A20A3-3500001 & Up
w/o Fuel Injection	
w/Calif E.C.S.	A20A1-3100001 & Up
w/o Calif E.C.S.	A20A1-3500001 & Up
Japan Plant	
w/Fuel Injection	
w/Calif E.C.S.	A20A3-3000001 & Up
w/o Calif E.C.S.	A20A3-3300001 & Up
w/o Fuel Injection	
w/Calif E.C.S.	A20A1-3000001 & Up
w/o Calif E.C.S.	A20A1-3300001 & Up
Civic, CRX	
1500	
Ohio Plant	
w/Calif E.C.S.	D15B2-1100001 & Up
w/o Calif E.C.S.	D15B2-1500001 & Up
Canada Plant	
w/Calif E.C.S.	
Std Trans	
4 Spd	D15B1-1200001 & Up
5 Spd	D15B2-1000001 & Up
Auto Trans	D15B2-1000001 & Up
w/o Calif E.C.S.	

MODEL & YEAR	ENGINE IDENTIFICATION CODES
1988 (Cont.)	
Std Trans	
4 Spd	D15B1-1450001 & Up
5 Spd	D15B2-1300001 & Up
Auto Trans	D15B2-1300001 & Up
Japan Plant	
w/Calif E.C.S.	
Std Trans	
4 Spd	D15B1-1000001 & Up
5 Spd	D15B2-1000001 & Up
Auto Trans	D15B2-1000001 & Up
w/o Calif E.C.S.	
Std Trans	
4 Spd	D15B1-1300001 & Up
5 Spd	D15B2-1300001 & Up
Auto Trans	D15B2-1300001 & Up
1600	
w/Calif E.C.S.	D16A6-1000001 & Up
w/o Calif E.C.S.	D16A6-1300001 & Up
Prelude	
w/Fuel Injection	
w/Calif E.C.S.	B20A5-1000001 & Up
w/o Calif E.C.S.	B20A5-1500001 & Up
w/o Fuel Injection	
w/Calif E.C.S.	B20A3-1000001 & Up
w/o Calif E.C.S.	B20A3-1500001 & Up
1989	
Accord	
Ohio Plant	
w/Fuel Injection	
w/Calif E.C.S.	A20A3-4100001 & Up
w/o Calif E.C.S.	A20A3-4500001 & Up
w/o Fuel Injection	
w/Calif E.C.S.	A20A1-4100001 & Up
w/o Calif E.C.S.	A20A1-4500001 & Up
Japan Plant	
w/Fuel Injection	
w/Calif E.C.S.	A20A3-4000001 & Up
w/o Calif E.C.S.	A20A3-4300001 & Up
w/o Fuel Injection	
w/Calif E.C.S.	A20A1-4000001 & Up
w/o Calif E.C.S.	A20A1-4300001 & Up
Civic, CRX	
1500	
Ohio Plant	
w/Calif E.C.S.	D15B2-2100001 & Up
w/o Calif E.C.S.	D15B2-2500001 & Up
Canada Plant	
w/Calif E.C.S.	
Std Trans	
4 Spd	D15B1-2200001 & Up
5 Spd	D15B2-2000001 & Up
Auto Trans	D15B2-2000001 & Up
w/o Calif E.C.S.	
Std Trans	
4 Spd	D15B1-2450001 & Up
5 Spd	D15B2-2300001 & Up
Auto Trans	D15B2-2300001 & Up
Japan Plant	
w/Calif E.C.S.	
Std Trans	
4 Spd	D15B1-2000001 & Up
5 Spd	
exc CRX HF	D15B2-2000001 & Up
CRX HF	D15B6-200000 & Up
Auto Trans	D15B2-2000001 & Up
w/o Calif E.C.S.	
Std Trans	
4 Spd	D15B1-2300001 & Up
5 Spd	
exc CRX HF	D15B2-2300001 & Up
CRX HF	D15B6-2300001 & Up

IDENTIFICATION

ENGINE IDENTIFICATION CODES (Cont.)

MODEL & YEAR	ENGINE IDENTIFICATION CODES
1989 (Cont.)	
Auto Trans	D15B2-2300001 & Up
1600	
w/Calif E.C.S.	D16A6-2000001 & Up
w/o Calif E.C.S.	D16A6-2300001 & Up
Prelude	
w/Fuel Injection	
w/Calif E.C.S.	B20A5-2000001 & Up
w/o Calif E.C.S.	B20A5-2500001 & Up
w/o Fuel Injection	
w/Calif E.C.S.	B20A3-2000001 & Up
w/o Calif E.C.S.	B20A3-2500001 & Up
1990	
Accord	
Ohio Plant	
S.O.H.C.	
w/Calif E.C.S.	F22A1-1200001 & Up
w/o Calif E.C.S.	F22A1-1400001 & Up
D.O.H.C.	
w/Calif E.C.S.	F22A4-1300001 & Up
w/o Calif E.C.S.	F22A4-1500001 & Up
Japan Plant	
S.O.H.C.	
w/Calif E.C.S.	F22A1-1000001 & Up
w/o Calif E.C.S.	F22A1-1830001 & Up
D.O.H.C.	
w/Calif E.C.S.	F22A4-1100001 & Up
w/o Calif E.C.S.	F22A4-1860001 & Up
Civic, CRX	
1500	
Ohio Plant	
w/Calif E.C.S.	D1B2-3200001 & Up
w/o Calif E.C.S.	D15B2-3500001 & Up
Canada Plant	
w/Calif E.C.S.	
Std Trans	
4 Spd	D15B1-3200001 & Up
5 Spd	D15B2-3000001 & Up
Auto Trans	D15B2-3000000 & Up
w/o Calif E.C.S.	
Std Trans	
4 Spd	D15B1-3450001 & Up
5 Spd	D15B2-3300001 & Up
Auto Trans	D15B2-3300001 & Up
Japan Plant	
w/Calif E.C.S.	
Std Trans	
4 Spd	D15B1-3000001 & Up
5 Spd	
exc CRX HF	D15B2-3000001 & Up
CRX HF	D15B6-3000001 & Up
Auto Trans	D15B2-3000001 & Up
w/o Calif E.C.S.	
Std Trans	
4 Spd	D15B1-3300001 & Up
5 Spd	
exc CRX HF	D15B2-3300001 & Up
CRX HF	D15B6-3300001 & Up
Auto Trans	D15B2-3300001 & Up
1600	
w/Calif E.C.S.	D16A6-3000001 & Up
w/o Calif E.C.S.	D16A6-3300001 & Up
Prelude	
Ohio Plant	
w/Fuel Injection	
S.O.H.C.	
w/Calif E.C.S.	B20A5-3000001 & Up
w/o Calif E.C.S.	B20A5-3500001 & Up
D.O.H.C.	
w/Calif E.C.S.	B21A1-3000001 & Up
w/o Calif E.C.S.	B21A1-3500001 & Up
w/o Fuel Injection	

MODEL & YEAR	ENGINE IDENTIFICATION CODES
1990 (Cont.)	
w/Calif E.C.S.	B20A3-3000001 & Up
w/o Calif E.C.S.	B20A3-3500001 & Up
Japan Plant	
D.O.H.C.	
2.0L Eng	B20A5-3600001 & Up
2.1L Eng	B21A1-3700001 & Up
1991	
Accord	
DX, LX Models	
w/Calif E.C.S.	F22A1-2200001 & Up
w/o Calif E.C.S.	F22A1-2500001 & Up
EX Model	
w/Calif E.C.S.	F22A4-2200001 & Up
w/o Calif E.C.S.	F22A4-2500001 & Up
SE Model	
w/Calif E.C.S.	F22A6-1000001 & Up
w/o Calif E.C.S.	F22A6-1300001 & Up
Civic	
HB	
w/Calif E.C.S.	D15B1-4200001 & Up
w/o Calif E.C.S.	D15B1-4600001 & Up
Sed	
DX, LX Models	
w/Calif E.C.S.	D15B2-4200001 & Up
w/o Calif E.C.S.	D15B2-4600001 & Up
EX Model	
w/Calif E.C.S.	D16A6-4200001 & Up
w/o Calif E.C.S.	D16A6-4600001 & Up
Si Model	
w/Calif E.C.S.	D16A6-4200001 & Up
w/o Calif E.C.S.	D16A6-4600001 & Up
S/W	
4x2	
w/Calif E.C.S.	D15B2-4200001 & Up
w/o Calif E.C.S.	D15B2-4600001 & Up
4x4	
1500	
w/Calif E.C.S.	D15B2-4000001 & Up
w/o Calif E.C.S.	D15B2-4300001 & Up
1600	
w/Calif E.C.S.	D16A6-4000001 & Up
w/o Calif E.C.S.	D16A6-4300001 & Up
CRX	
HF Model	
w/Calif E.C.S.	D15B6-4000001 & Up
w/o Calif E.C.S.	D15B6-4300001 & Up
Si Model	
w/Calif E.C.S.	D16A6-4000001 & Up
w/o Calif E.C.S.	D16A6-4300001 & Up
Std Model	
w/Calif E.C.S.	D15B2-4000001 & Up
w/o Calif E.C.S.	D15B2-4300001 & Up
Prelude	
2000	
w/Calif E.C.S.	B20A5-4000001 & Up
w/o Calif E.C.S.	B20A5-4500001 & Up
2100	
w/Calif E.C.S.	B21A1-4000001 & Up
w/o Calif E.C.S.	B21A1-4500001 & Up
1992-93	
Accord	
Ohio Plant	
w/Calif E.C.S.	
DX, LX Models	F22A1-3200001 & Up
EX Models	F22A6-3200001 & Up
w/o Calif E.C.S.	
DX, LX Models	F22A1-3500001 & Up
EX Models	F22A6-2500001 & Up
Japan Plant	
w/Calif E.C.S.	

Cont.

IDENTIFICATION

ENGINE IDENTIFICATION CODES (Cont.)

MODEL & YEAR	ENGINE IDENTIFICATION CODES
1992-93 (Cont.)	
DX, LX Models	F22A1-3000001 & Up
EX Models	F22A6-2000001 & Up
w/o Calif E.C.S.	
DX, LX Models	F22A1-3300001 & Up
EX Models	F22A6-2300001 & Up
Civic, del Sol	
Canada Plant	
1.5L (8V)	
w/Calif E.C.S.	D15B8-1200001 & Up
w/o Calif E.C.S.	D15B8-1600001 & Up
1.5L (16V)	
w/Calif E.C.S.	D15B7-1200001 & Up
w/o Calif E.C.S.	D15B7-1500001 & Up
1.5L (16) VTEC-E	
w/Calif E.C.S.	D15Z1-1000001 & Up
w/o Calif E.C.S.	D15Z1-1300001 & Up
1.6L (16V)	
w/Calif E.C.S.	D16Z6-1100001 & Up
w/o Calif E.C.S.	D16Z6-1500001 & Up
Ohio Plant	
1.5L (16V)	
w/Calif E.C.S.	D15B7-1200001 & Up
w/o Calif E.C.S.	D15B7-1500001 & Up
Japan Plant	
1.5L (16V)	
w/Calif E.C.S.	D15B7-1000001 & Up
w/o Calif E.C.S.	D15B7-1300001 & Up
1.6L (16V) VTEC	
w/Calif E.C.S.	D16Z6-1000001 & Up
w/o Calif E.C.S.	D16Z6-1300001 & Up
Prelude	
2.2L Eng	
w/Calif E.C.S.	F22A1-9100001 & Up
w/o Calif E.C.S.	F22A1-9130001 & Up
2.2L Eng VTEC	
w/Calif E.C.S.	H22A1-1000001 & Up
w/o Calif E.C.S.	H22A1-1300001 & Up
2.3L Eng	
w/Calif E.C.S.	H23A1-1000001 & Up
w/o Calif E.C.S.	H23A1-1300001 & Up
1994	
Accord	
Ohio Plant	
w/Calif E.C.S.	
DX, LX Models	F22B2-1100001 & Up
EX Models	F22B1-1100001 & Up
w/o Calif E.C.S.	
DX, LX Models	F22B2-1400001 & Up
EX Models	F22B1-1400001 & Up
Japan Plant	
w/Calif E.C.S.	
EX Models	F22B1-1000001 & Up
LX Models	F22B2-1000001 & Up
w/o Calif E.C.S.	
EX Models	F22B1-1200001 & Up
LX Models	F22B2-1200001 & Up
Civic	
Canada Plant	
1.5L (8V)	
w/Calif E.C.S.	D15B8-3200001 & Up
w/o Calif E.C.S.	D15B8-3600001 & Up
1.5L (16V)	
w/Calif E.C.S.	D15B7-3200001 & Up
w/o Calif E.C.S.	D15B7-3500001 & Up
1.5L (16V) VTEC-E	
w/Calif E.C.S.	D15Z1-3000001 & Up
w/o Calif E.C.S.	D15Z1-3300001 & Up
1.6L (16V) VTEC	
w/Calif E.C.S.	D16Z6-3200001 & Up
w/o Calif E.C.S.	D16Z6-3600001 & Up

MODEL & YEAR	ENGINE IDENTIFICATION CODES
1994 (Cont.)	
Japan Plant	
1.5L (16V)	
w/Calif E.C.S.	D15B7-3000001 & Up
w/o Calif E.C.S.	D15B7-3300001 & Up
1.6L (16V) VTEC	
w/Calif E.C.S.	D16Z6-3000001 & Up
w/o Calif E.C.S.	D16Z6-3300001 & Up
Ohio Plant	
1.5L (16V)	
w/Calif E.C.S.	D15B7-3200001 & Up
w/o Calif E.C.S.	D15B7-3500001 & Up
1.6L (16V) VTEC	
w/Calif E.C.S.	D16Z6-3200001 & Up
w/o Calif E.C.S.	D16Z6-3600001 & Up
del Sol	
1.5L (16V)	
w/Calif E.C.S.	D15B7-3000001 & Up
w/o Calif E.C.S.	D15B7-3300001 & Up
1.6L (16V) SOHC	
w/Calif E.C.S.	D16Z6-3000001 & Up
w/o Calif E.C.S.	D16Z6-3300001 & Up
1.6L (16V) DOHC	
w/Calif E.C.S.	B16A3-2000001 & Up
w/o Calif E.C.S.	B16A3-2300001 & Up
Passport	
2.6L Four	RLJ
3.2L V6	RLU
Prelude	
2.2L Eng	
w/Calif E.C.S.	F22A1-9300001 & Up
w/o Calif E.C.S.	F22A1-9330001 & Up
2.2L Eng VTEC	
w/Calif E.C.S.	H22A1-2000001 & Up
w/o Calif E.C.S.	H22A1-2300001 & Up
2.3L Eng	
w/Calif E.C.S.	H23A1-3000001 & Up
w/o Calif E.C.S.	H23A1-3300001 & Up
1995	
Accord	
Ohio Plant	
Four Cyl	
w/Calif E.C.S.	
DX, LX Models	F22B2-2100001 & Up
EX Models	F22B1-2100001 & Up
w/o Calif E.C.S.	
DX, LX Models	F22B2-2400001 & Up
EX Models	F22B1-2400001 & Up
V6	
w/Calif E.C.S.	C27A4-1000001 & Up
w/o Calif E.C.S.	C27A4-1200001 & Up
Japan Plant	
w/Calif E.C.S.	
EX Models	F22B1-1000001 & Up
LX Models	F22B2-1000001 & Up
w/o Calif E.C.S.	
EX Models	F22B1-1200001 & Up
LX Models	F22B2-1200001 & Up
Civic	
Canada Plant	
1.5L (8V)	
w/Calif E.C.S.	D15B8-4200001 & Up
w/o Calif E.C.S.	D15B8-4600001 & Up
1.5L (16V)	
w/Calif E.C.S.	D15B7-4500001 & Up
1.5L (16V) VTEC	
w/Calif E.C.S.	D15Z1-4000001 & Up
w/o Calif E.C.S.	D15Z1-4300001 & Up
1.6L (16V) VTEC	
w/ABS	D16Z6-4850001 & Up
w/o ABS	D16Z6-4600001 & Up

IDENTIFICATION

ENGINE IDENTIFICATION CODES (Cont.)

MODEL & YEAR ENGINE IDENTIFICATION CODES

MODEL & YEAR	ENGINE IDENTIFICATION CODES
1995 (Cont.)	
Japan Plant	
1.5L (16V)	D15B7-4300001 & Up
1.6L (16V) VTEC	D16Z6-4300001 & Up
Ohio Plant	
1.5L (16V)	D15B7-4500001 & Up
1.6L (16V) VTEC	D16Z6-4600001 & Up
del Sol	
1.5L (16V)	D15B7-4300001 & Up
1.6L (16V)	D16Z6-4300001 & Up
1.6L (16V) VTEC	B16A3-3300001 & Up
Odyssey	
2.2L (16V)	
w/Calif E.C.S.	F22B6-1000001 & Up
w/o Calif E.C.S.	F22B6-1300001 & Up
Passport	
2.6L (8V)	RLJ
3.2L (24V)	RLU
Prelude	
2.2L Eng	
w/Calif E.C.S.	F22A1-9400001 & Up
w/o Calif E.C.S.	F22A1-9430001 & Up
2.2L Eng VTEC	
w/Calif E.C.S.	H22A1-3000001 & Up
w/o Calif E.C.S.	H22A1-3300001 & Up
2.3L Eng	
w/Calif E.C.S.	H23A1-4000001 & Up
w/o Calif E.C.S.	H23A1-4300001 & Up
1996	
Accord	
Ohio Plant	
Four Cyl	
w/Calif E.C.S.	
DX,LX Models	F22B2-3100001 & Up
EX Models	F22B1-3100001 & Up
w/Calif E.C.S.	
DX,LX Models	F22B2-3400001 & Up
EX Models	F22B2-3400001 & Up
V6	
w/Calif E.C.S.	C27A4-2000001 & Up
w/o Calif E.C.S.	C27A4-2200001 & Up
Japan Plant	
EX Models	F22B1-3200001 & Up
LX Models	F22B2-3200001 & Up
Civic	
1.6L (16V)	D16Y7-1500001 & Up
1.6L (16V) VTEC	D16Y8-1500001 & Up
1.6L (16V) VTEC-E	D16Y5-1300001 & Up
del Sol	
S Models	D16Y7-1300001 & Up
Si Models	D16Y8-1300001 & Up
VTEC Models	B16A2-2300001 & Up
Odyssey	F22B6-2300001 & Up
Passport	
Four	RLJ
V6	RLU
Prelude	
2.2L Eng	
w/Calif E.C.S.	F22A1-9500001 & Up
w/o Calif E.C.S.	F22A1-9530001 & Up
2.2L Eng VTEC	
w/Calif E.C.S.	H22A1-4000001 & Up
w/o Calif E.C.S.	H22A1-4300001 & Up
2.3L Eng	
w/Calif E.C.S.	H23A1-5000001 & Up
w/o Calif E.C.S.	H23A1-5300001 & Up
1997	
Accord	
Four Cyl	
w/Calif E.C.S.	
DX,LX Models	F22B2-4100001 & Up
EX Models	F22B1-4100001 & Up

MODEL & YEAR ENGINE IDENTIFICATION CODES

MODEL & YEAR	ENGINE IDENTIFICATION CODES
1997 (Cont.)	
w/o Calif E.C.S.	
DX,LX Models	F22B2-4400001 & Up
EX Models	F22B1-4400001 & Up
V6	
w/Calif E.C.S.	C27A4-3000001 & Up
w/o Calif E.C.S.	C27A4-3200001 & Up
Civic	
Cpe, HB	
1.6L (16V)	D16Y7-2500001 & Up
1.6L (16V) VTEC	D16Y8-2500001 & Up
1.6L (16V) VTEC-E	D16Y5-2300001 & Up
Sed	
1.6L	
Ohio Plant	D16Y7-2500001 & Up
Japan Plant	D16Y7-2300001 & Up
1.6L (16V) VTEC	D16Y8-2300001 & Up
CR-V	B20B4-2000001 & Up
del Sol	
S Models	D16Y7-2300001 & Up
Si Models	D16Y8-2300001 & Up
VTEC Models	B16A2-3300001 & Up
Odyssey	F22B6-3300001 & Up
Passport	
Four	RLJ
V6	RLU
Prelude	H22A1-1000001 & Up
1998	
Accord	
Cpe	
Four Cyl	
w/Calif E.C.S.	F23A4-1000001 & Up
w/o Calif E.C.S.	F23A1-1000001 & Up
V6	J30A1-1300001 & Up
Sed	
Four Cyl	
w/Calif E.C.S.	
DX Models	F23A5-1000001 & Up
EX Models	F23A4-1000001 & Up
w/o Calif E.C.S.	
DX Models	F23A5-1000001 & Up
EX,LX Models	F23A1-1000001 & Up
V6	J30A1-1300001 & Up
Civic	
Cpe, HB	
CX,DX Models	D16Y7-3500001 & Up
EX Models	D16Y8-3500001 & Up
HX Models	D16Y5-3300001 & Up
Sed	
Japan Plant	
DX,LX Models	D16Y7-3300001 & Up
EX Models	D16Y8-3300001 & Up
Ohio Plant	
DX,LX Models	D16Y7-3500001 & Up
EX Models	D16Y8-3500001 & Up
CR-V	B20B4-3000001 & Up
Odyssey	F23A7-1000001 & Up
Passport	RLV
Prelude	
Base Models	H22A4-2000001 & Up
Type SH Models	H22A4-2500001 & Up
1999	
Accord	
Cpe	
Four Cyl	
w/Calif E.C.S.	F23A4-2000001 & Up
w/o Calif E.C.S.	F23A1-2000001 & Up
V6	J30A1-1400001 & Up
Sed	
Japan Plant	
w/Calif E.C.S.	F23A4-2500001 & Up
w/o Calif E.C.S.	F23A1-2500001 & Up

IDENTIFICATION

ENGINE IDENTIFICATION CODES (Cont.)

MODEL & YEAR ENGINE IDENTIFICATION CODES

MODEL & YEAR	ENGINE IDENTIFICATION CODES
1999 (Cont.)	
Ohio Plant	
Four Cyl	
DX Models	F23A5-2000001 & Up
EX, LX Models	
w/Calif E.C.S.	F23A4-2000001 & Up
w/o Calif E.C.S.	F23A1-2000001 & Up
V6	J30A1-1400001 & Up
Civic	
Cpe, HB	
CX,DX Models	D16Y7-4500001 & Up
EX Models	D16Y8-4500001 & Up
HX Models	D16Y5-4300001 & Up
Si Models	B16A2-4300001 & Up
Sed	
DX,LX Models	D16Y7-4500001 & Up
EX Models	D16Y8-4500001 & Up
CR-V	B20Z2-1000001 & Up
Odyssey	J35A1-1000001 & Up
Passport	RLV
Prelude	
Base Models	H22A4-3000001 & Up
Type SH Models	H22A4-3500001 & Up
2000	
Accord	
Cpe	
Four Cyl	
w/Calif E.C.S.	F23A4-3000001 & Up
w/o Calif E.C.S.	F23A1-3000001 & Up
V6	J30A1-3000001 & Up
Sed	
Japan Plant	
w/Calif E.C.S.	F23A4-3500001 & Up
w/o Calif E.C.S.	F23A1-3500001 & Up
Ohio Plant	
Four Cyl	
DX Models	F23A5-3000001 & Up
EX, LX Models	
w/Calif E.C.S.	F23A4-3000001 & Up
w/o Calif E.C.S.	F23A1-3000001 & Up
V6	J30A1-3000001 & Up

MODEL & YEAR ENGINE IDENTIFICATION CODES

MODEL & YEAR	ENGINE IDENTIFICATION CODES
2000 (Cont.)	
Civic	
Cpe, HB	
CX,DX Models	D16Y7-5500001 & Up
EX Models	D16Y8-5500001 & Up
HX Models	D16Y5-5300001 & Up
Si Models	B16A2-5300001 & Up
Sed	
DX,LX Models	D16Y7-5500001 & Up
EX Models	D16Y8-5500001 & Up
CR-V	B20Z2-2000001 & Up
Odyssey	J35A1-3000001 & Up
Passport	RLV
Prelude	
Base Models	H22A4-4000001 & Up
Type SH Models	H22A4-4500001 & Up
Insight	ECA1-1000001 & Up
S-2000	F20C1-1000001 & Up
2001-02	
Accord	
2 Door	A000001 & Up
4 Door USA	1A000001 & Up
4 Door Japan	1C000001 & Up
Civic	
2 Door	1L000001 & Up
4 Door USA	1L000001 & Up
4 Door Canada	1H000001 & Up
4 Door Japan	1S000001 & Up
CRV	1C000001 & Up
Insight	YT000001 & Up
Odyssey	1H5000001 & Up
Passport	14400001 & Up
S2000	1T000001 & Up
Prelude	1C000001 & Up
2003-07	
Information is not available	

IDENTIFICATION

IDENTIFICATION NUMBER OR PLATE LOCATION

1986-2002

Located on upper dash panel visible through windshield.

KMH B A 2 2 P 9 K U 000001

MANUFACTURING COUNTRY

KMH = Korea
2MH = Canada

DRIVE TYPE

B = Sonata Left Hand Drive (88-94)
C = Sonata Left Hand Drive (95-98)
C = Accent Left Hand Drive (01-02)
D = Elantra Left Hand Drive (01-02)
F = XG300, XG350 Left Hand Drive
J = Elantra, Tiburon, Left Hand Drive
S = Sante Fe
V = Accent, Excel, Scoupe, Left Hand Drive
W = Sonata Left Hand Drive (99-02)

BODY TYPE

A = 4 Dr Hatchback
D = 2 Dr Hatchback
E = 2 Dr Sedan
F = 4 Dr Sedan
G = 2 Dr Coupe
W = 4 Dr S/Wagon

SERIES

1 = Base
2 = GL, LS
3 = GLS, GLX, GS, SE

RESTRAINT SYSTEM

0 = Non-Seat Belt
1 = 3 Point Seat Belt
2 = Passive Belt
3 = Drivers Side Air Bag
Passenger Side Active Belt
4 = Drivers Side, Passenger
Side Air Bag
5 = Depowered Air Bags

SEQUENCE NUMBER

PLANT CODE

A = Asan (Korea)
B = Bromont (Canada)
U = Ulsan (Korea)

PRODUCT YEAR

G = 1986	P = 1993	Y = 2000
H = 1987	R = 1994	1 = 2001
J = 1988	S = 1995	2 = 2002
K = 1989	T = 1996	
L = 1990	V = 1997	
M = 1991	W = 1998	
N = 1992	X = 1999	

CHECK DIGIT

ENGINE DISPLACEMENT

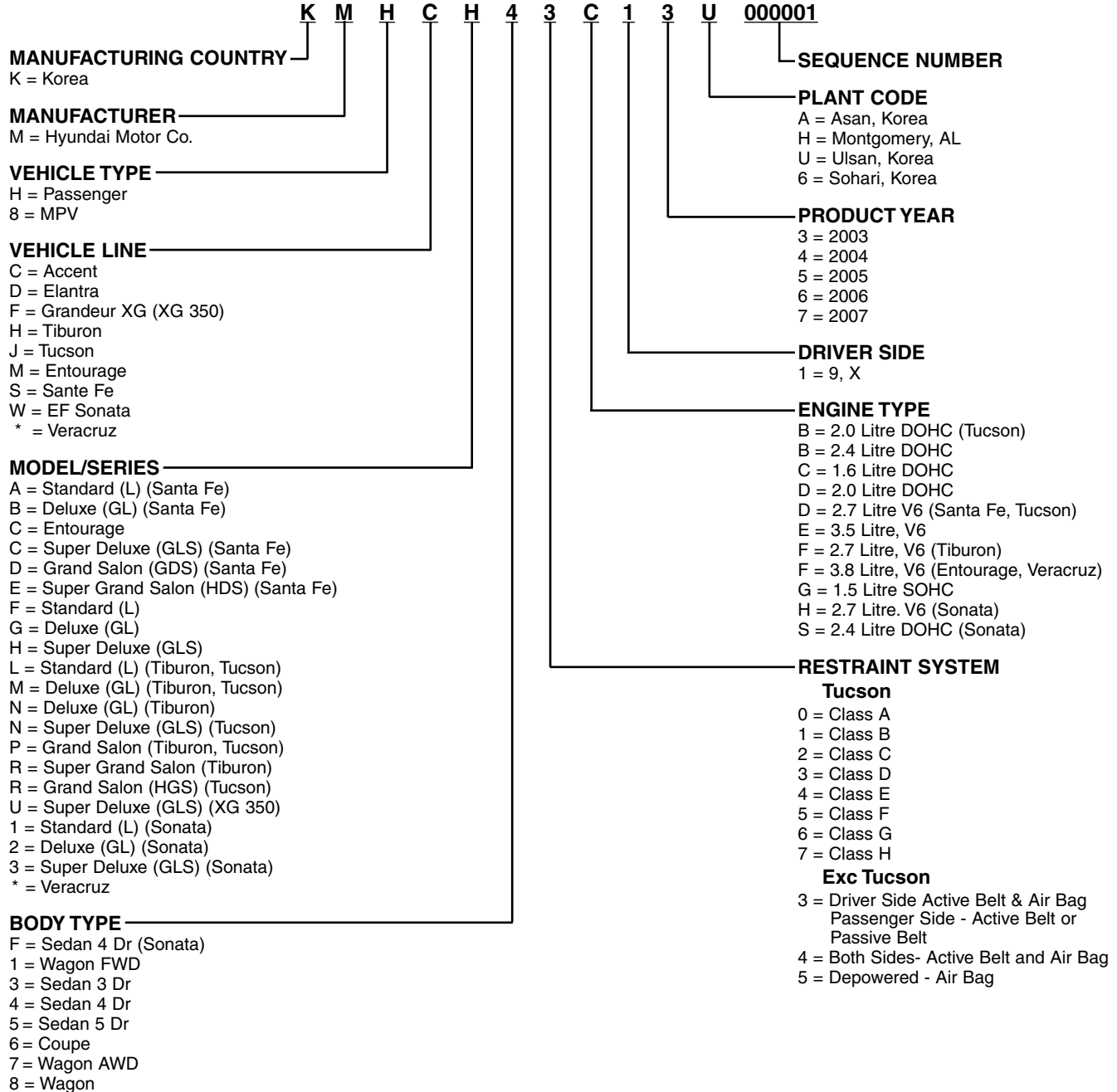
B = 2.4 Litre (01-02)
C = 1.6 Litre
D = 1.8 Litre
D = 2.0 Litre
D = 2.7 Litre V-6 (01-02)
E = 3.5 Litre
F = 2.0 Litre
F = 2.7 Litre
G = 1.5 Litre
H = 2.7 Litre
J = 1.5 Litre
M = 1.8 Litre
N = 1.5 Litre
Accent
Scoupe (Turbo)
P = 2.0 Litre
R = 1.6 Litre
S = 2.4 Litre
T = 3.0 Litre
V = 2.5 Litre

IDENTIFICATION

IDENTIFICATION NUMBER OR PLATE LOCATION

2003-2007

Located on upper dash panel visible through windshield.



ENGINE IDENTIFICATION NUMBER LOCATION

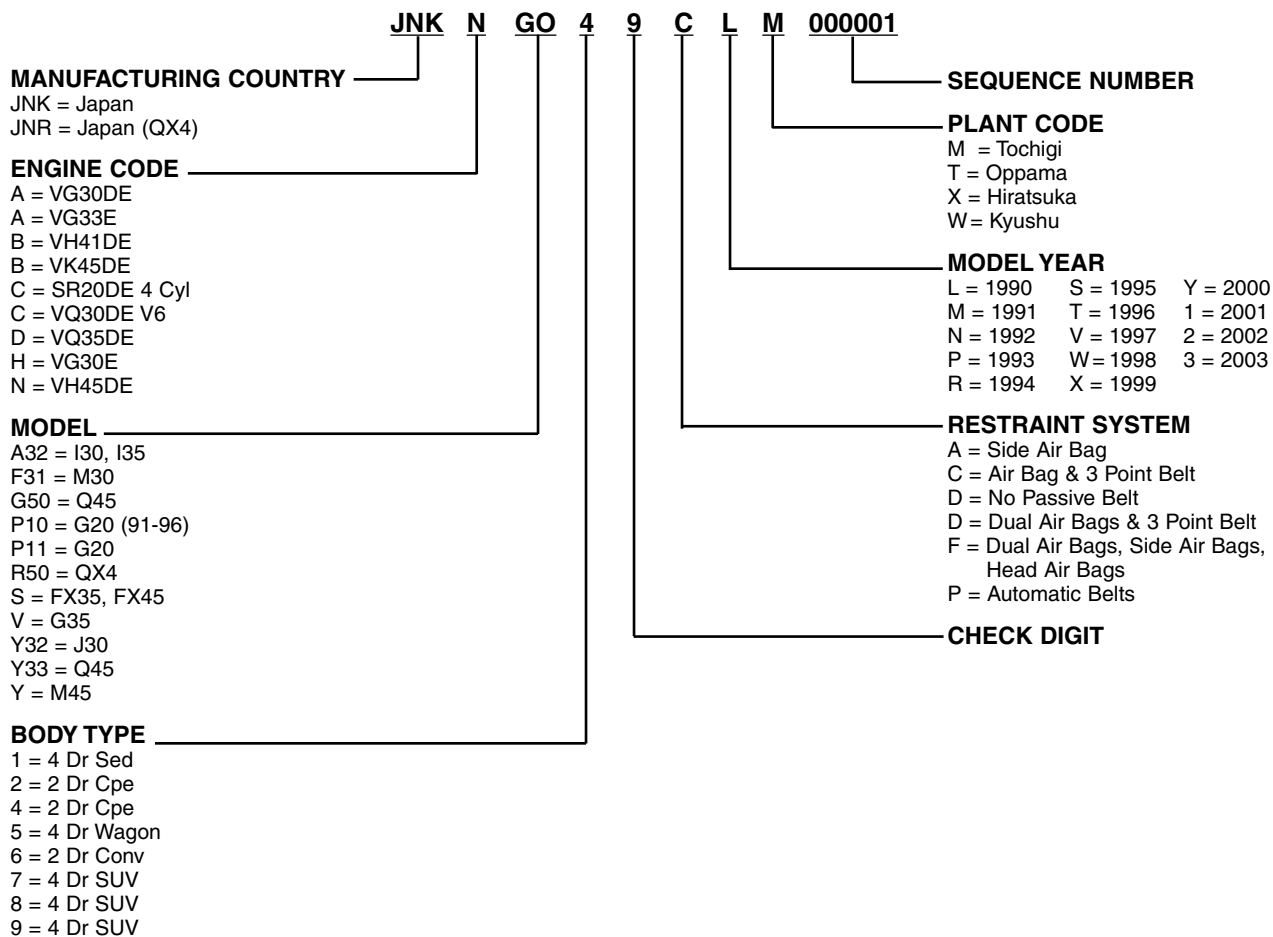
Engine identification number is stamped on a plate located at the right front side on the top edge of the cylinder head.

IDENTIFICATION

IDENTIFICATION NUMBER OR PLATE LOCATION

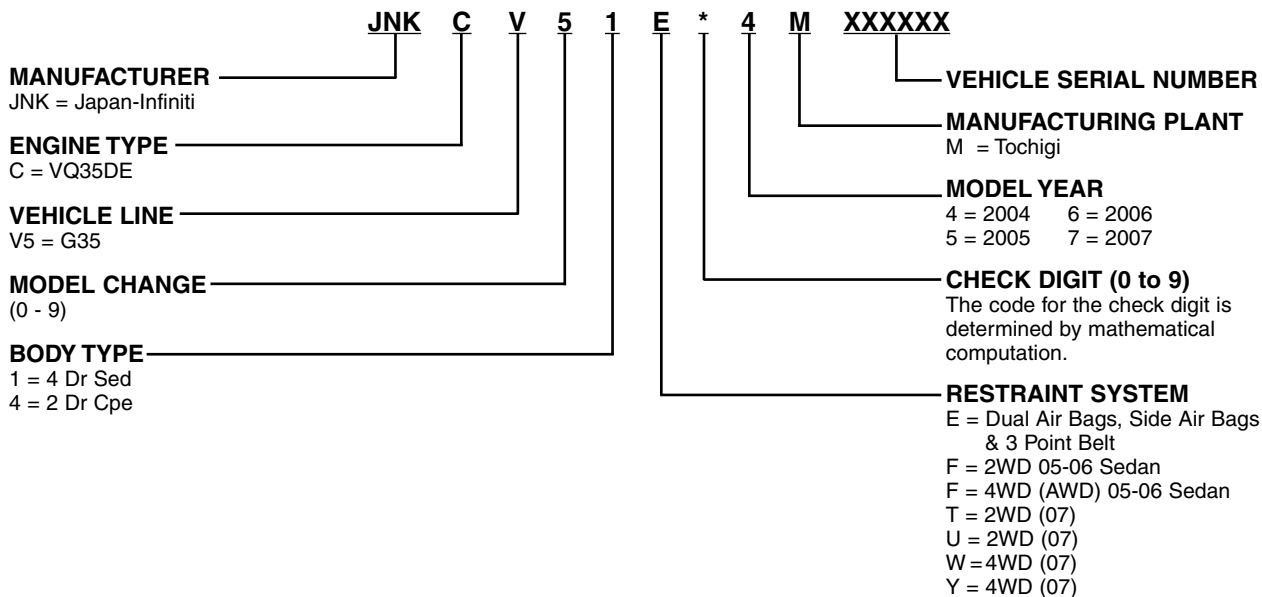
Located on left upper dash panel, visible through windshield.

1990-2003



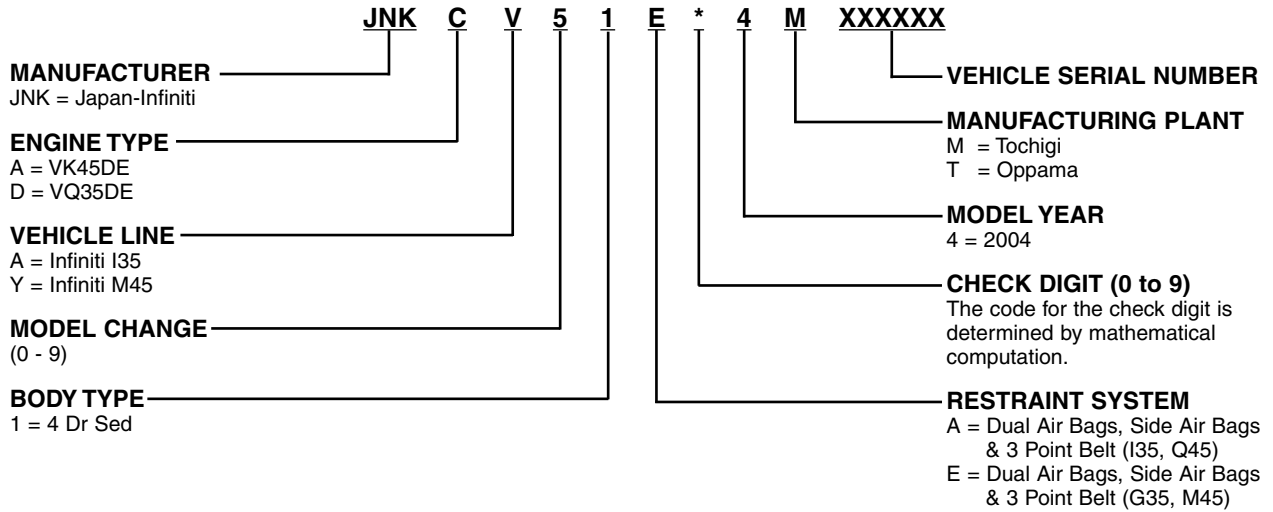
2004-2007

G35

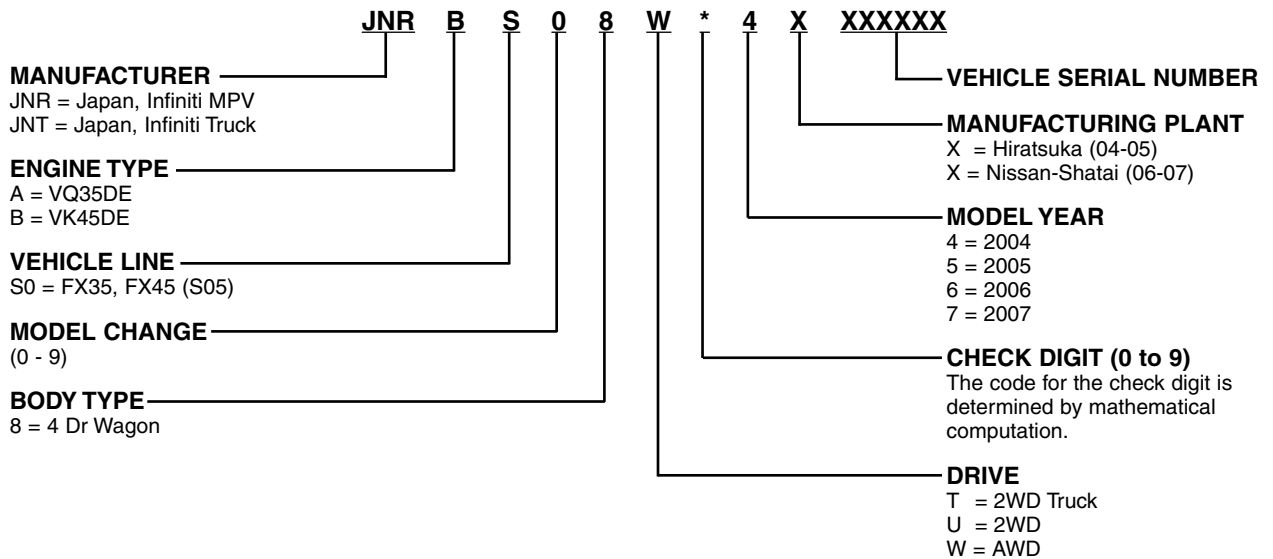


IDENTIFICATION

I35 and M45

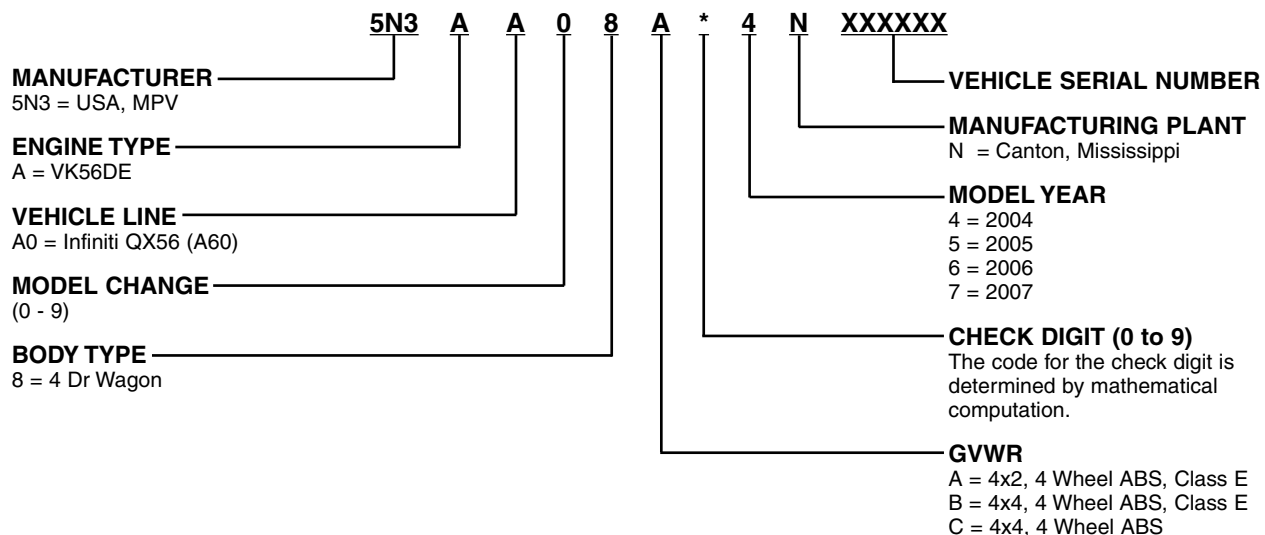


FX35, FX45

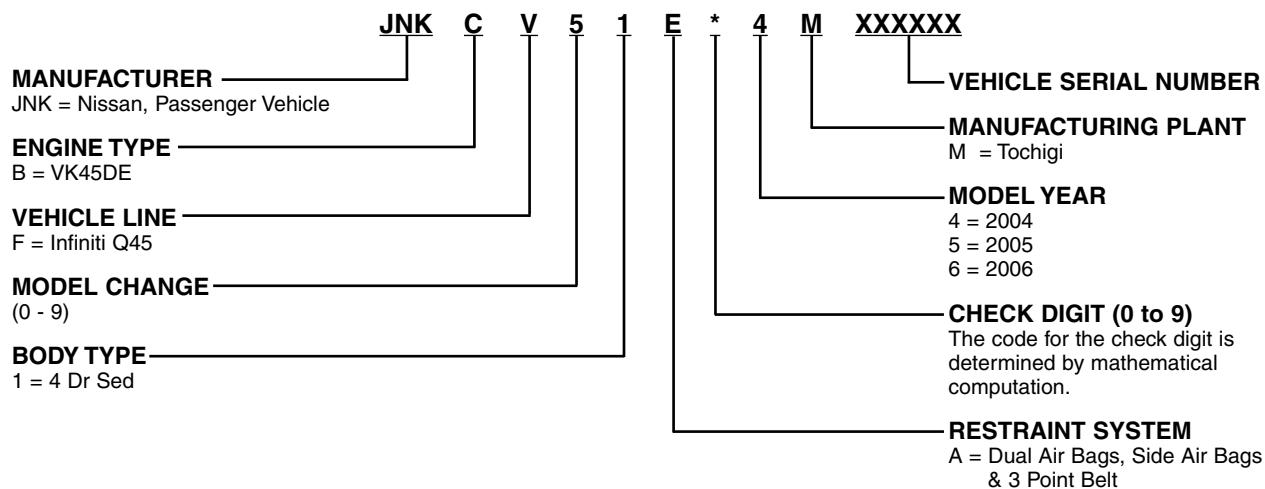


IDENTIFICATION

QX56



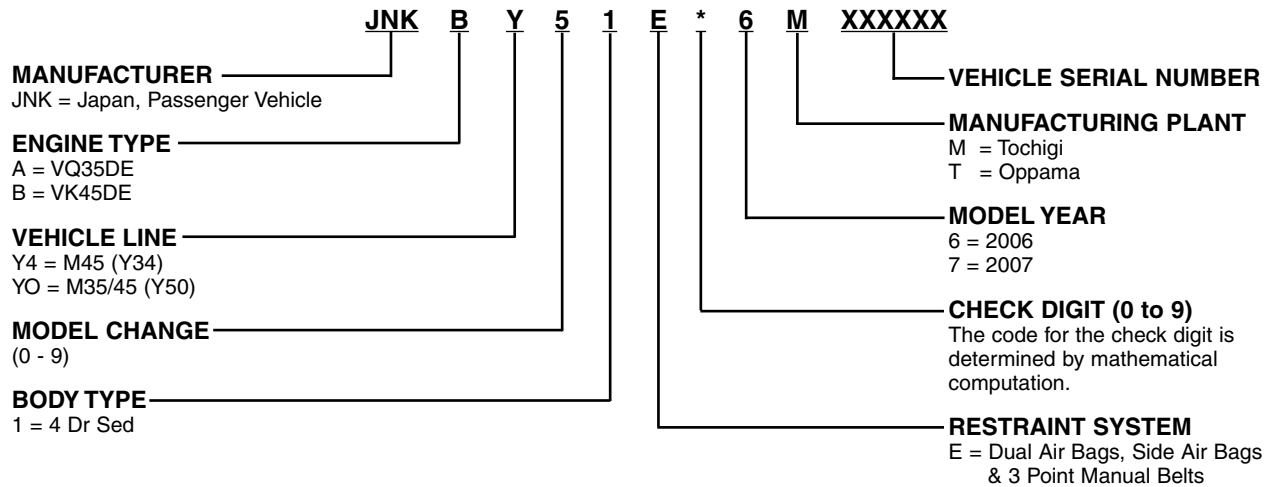
Q45



IDENTIFICATION

2006-07

M35 and M45



ENGINE IDENTIFICATION NUMBER LOCATION

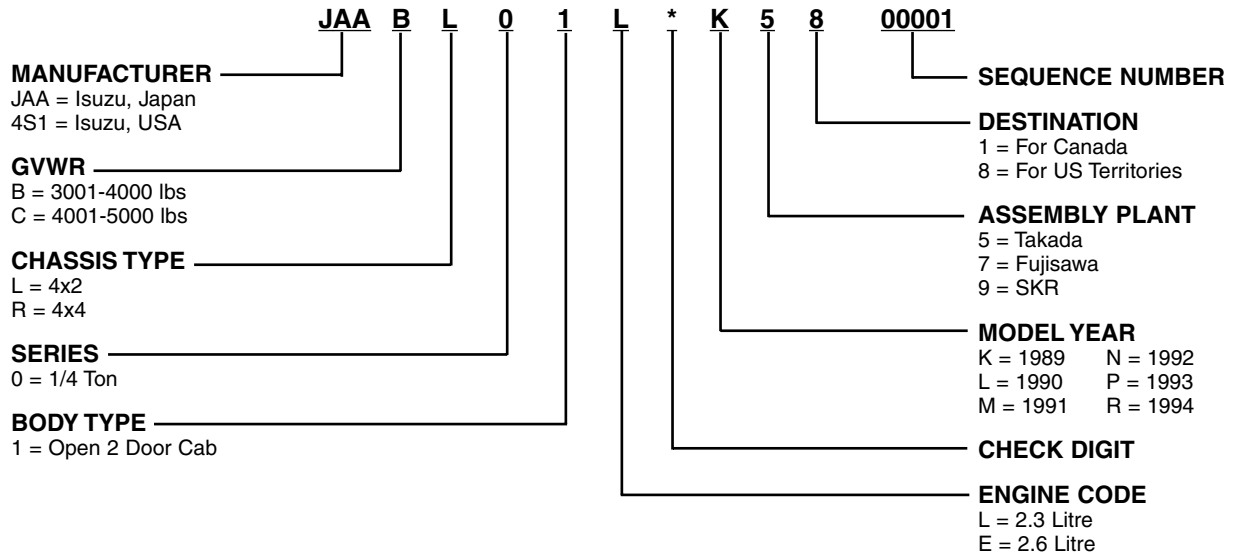
- FX35 - Code is on the rear of the engine block, center, near the flywheel.
 - FX45 - Code is on the rear of the engine block, center, near the flywheel.
 - G20 - Code is on the rear of the engine block, left side, near the flywheel.
 - G35 - Code is on the rear of the engine block, right side, near the flywheel.
 - I30 - Code is on the rear of the engine block, left side, near the flywheel.
 - I35 - Code is on the rear of the engine block, right side, near the flywheel.
 - J30 - Code is on the rear of the engine block, center, near the flywheel.
 - M30 - Code is on the rear of the engine block, passenger side, near the flywheel.
 - M45 - Code is on the rear of the engine block, right side, near the flywheel.
 - QX4, Q45 - Code is on the rear of the engine block, center, near the flywheel.
 - QX56 - N/A
-

IDENTIFICATION

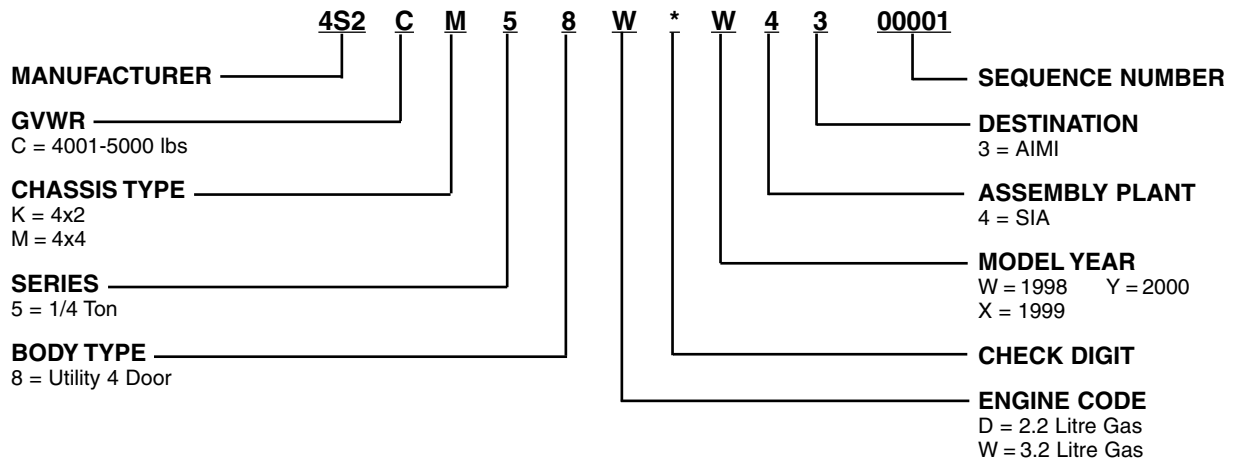
IDENTIFICATION NUMBER OR PLATE LOCATION

Located on left upper dash panel, visible through windshield.

AMIGO 1989-94

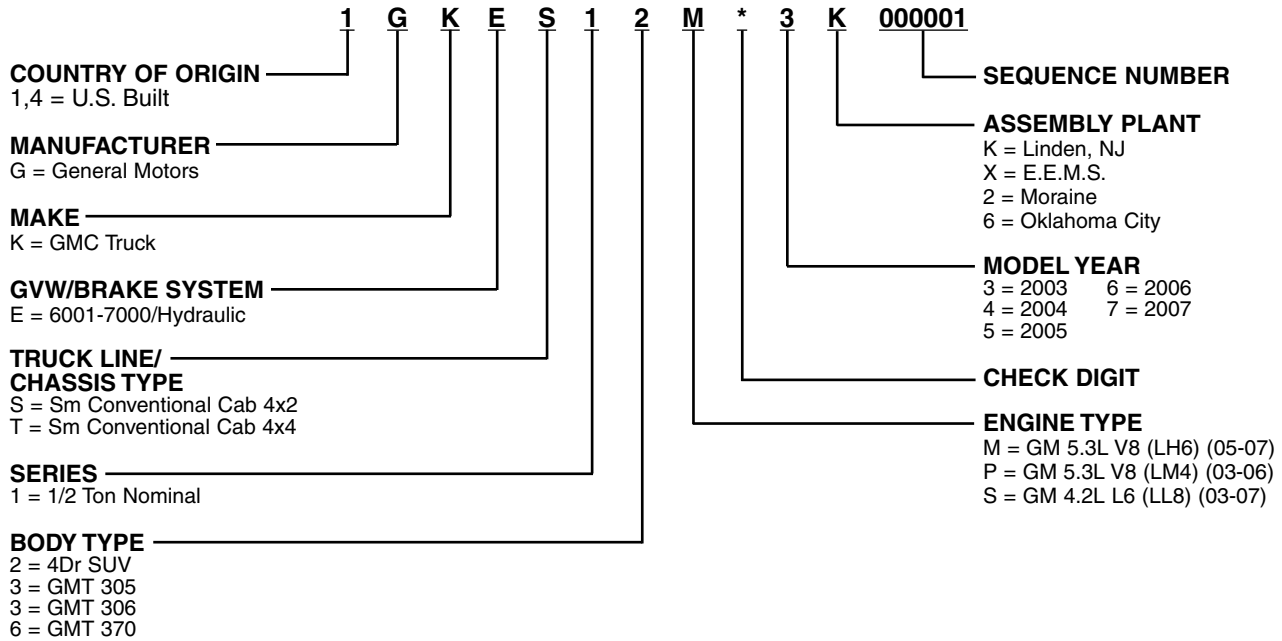


AMIGO 1998-2000

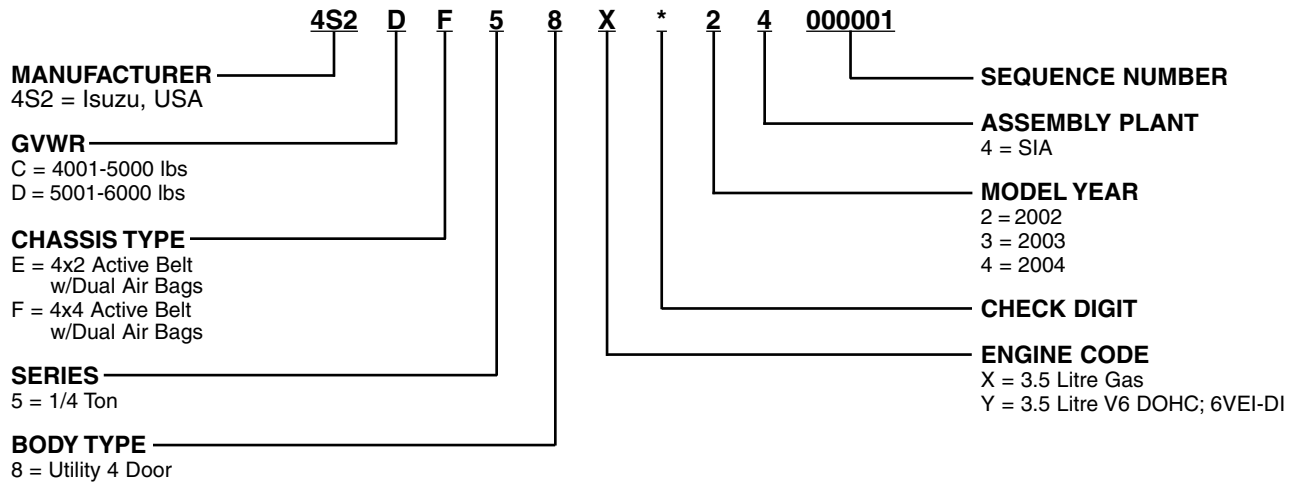


IDENTIFICATION

ASCENDER 2003-2007

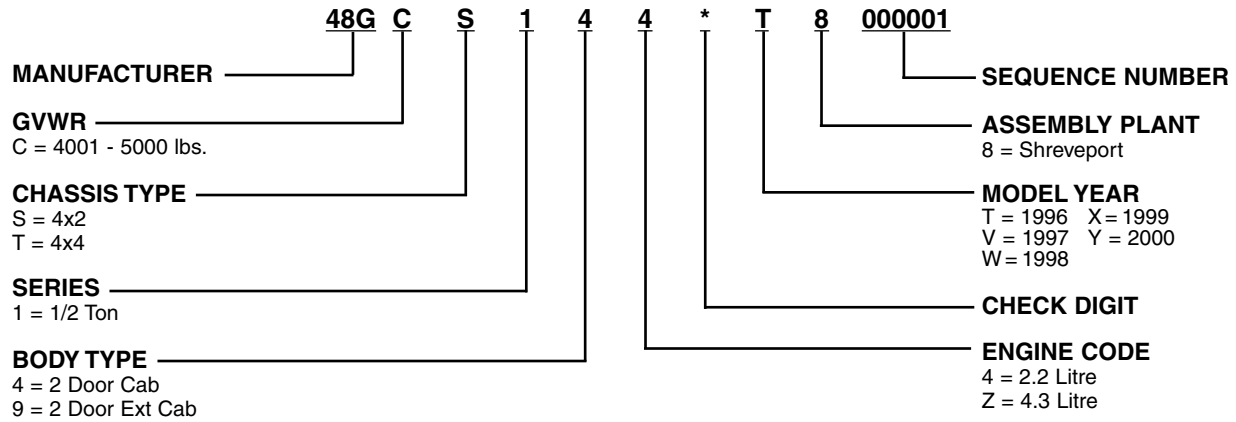


AXIOM 2002-2004

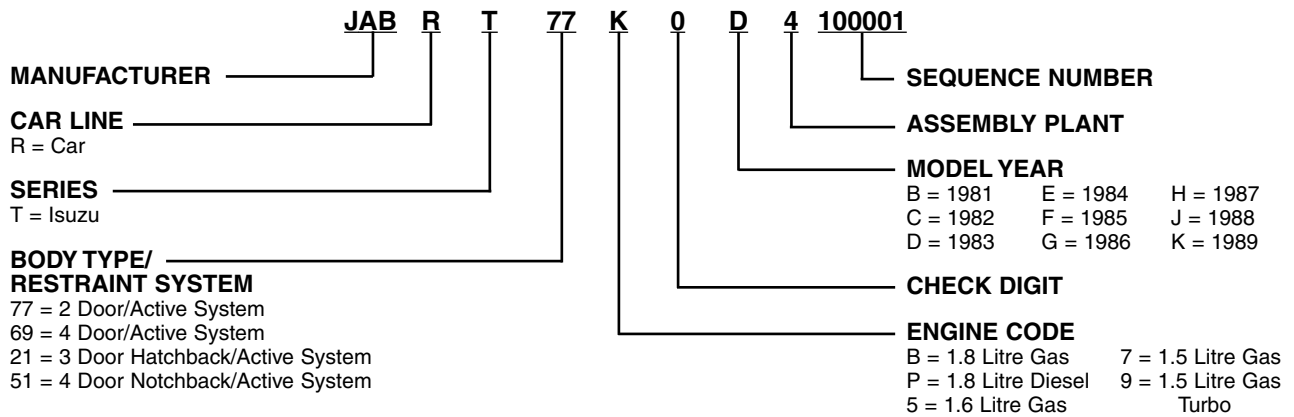


IDENTIFICATION

HOMBRE
1996-2000

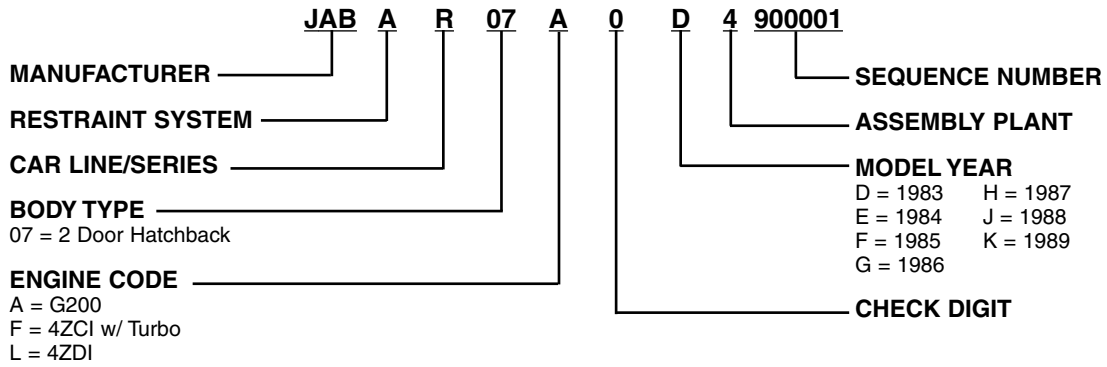


I-MARK
1981-85 R.W.D.
1986-89 F.W.D.

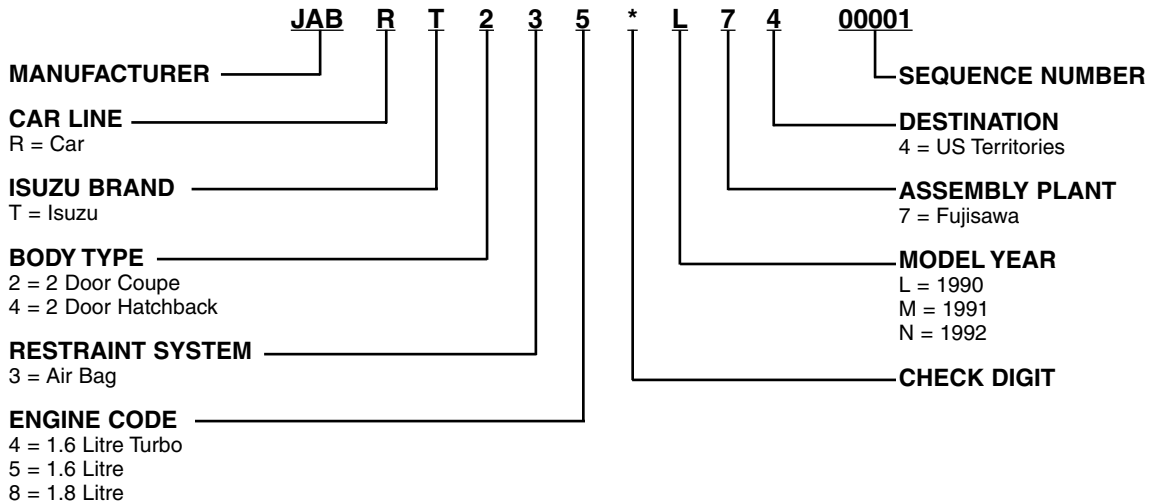


IDENTIFICATION

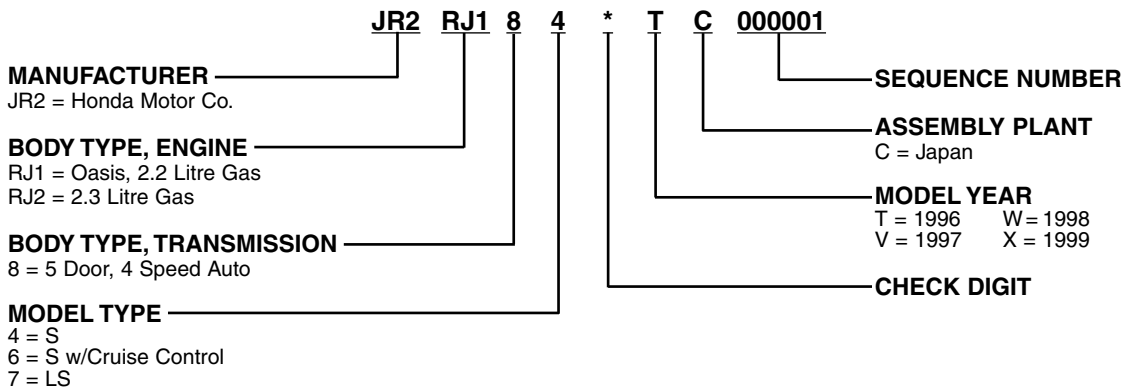
IMPULSE 1983-89



IMPULSE 1990-92

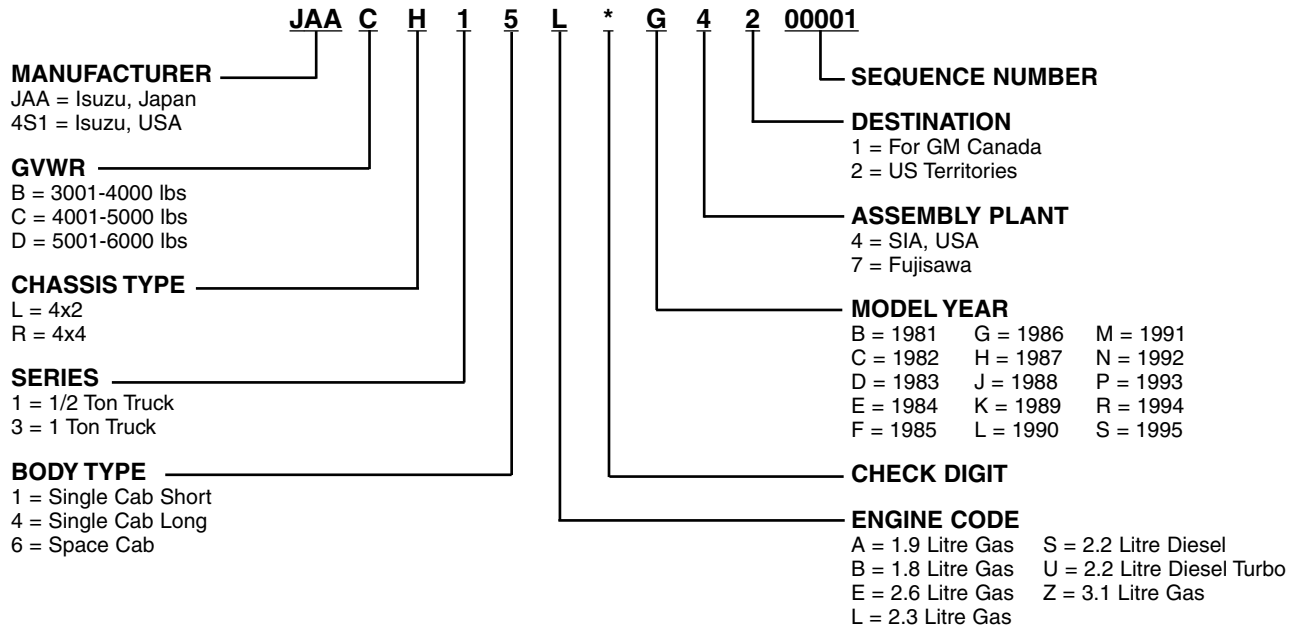


OASIS 1996-1999

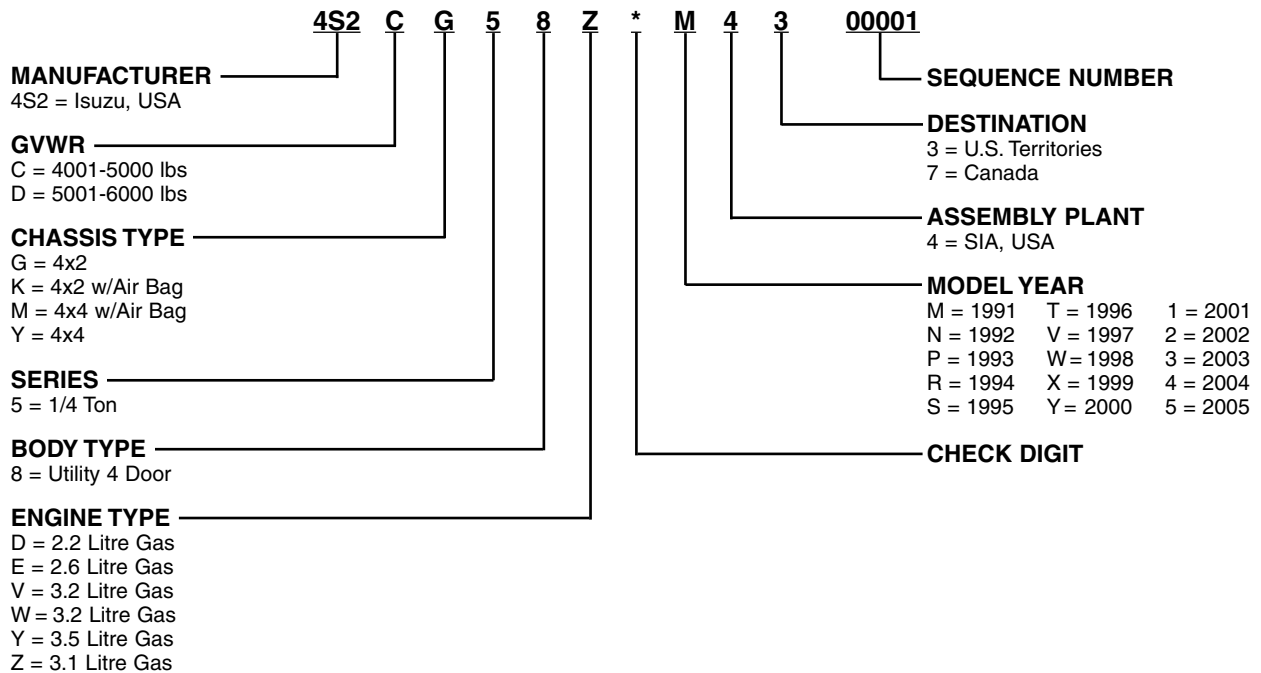


IDENTIFICATION

PICKUP 1981-95

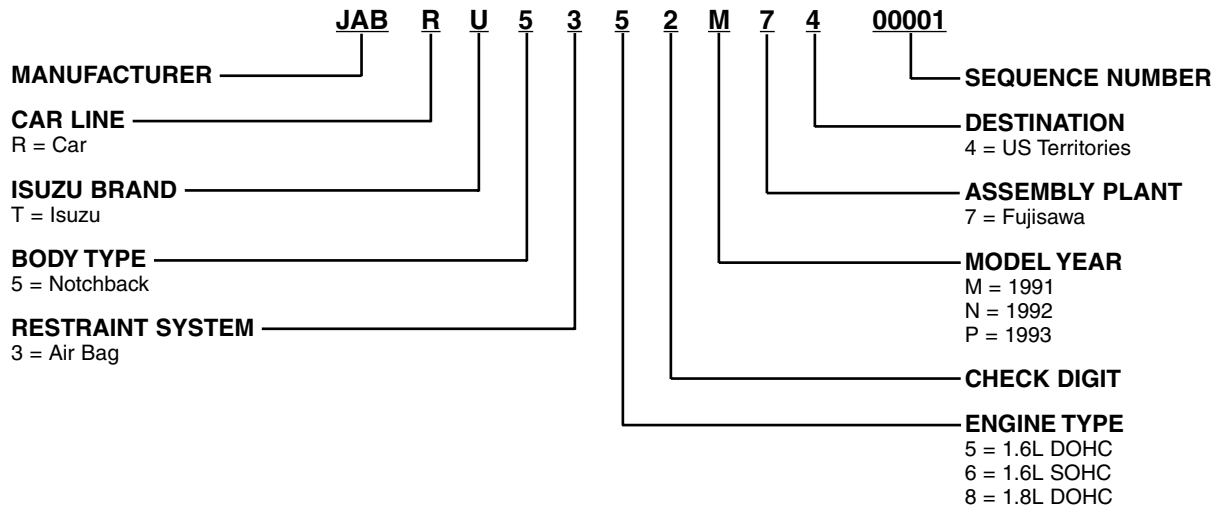


RODEO 1991-2005, Rodeo Sport 2003

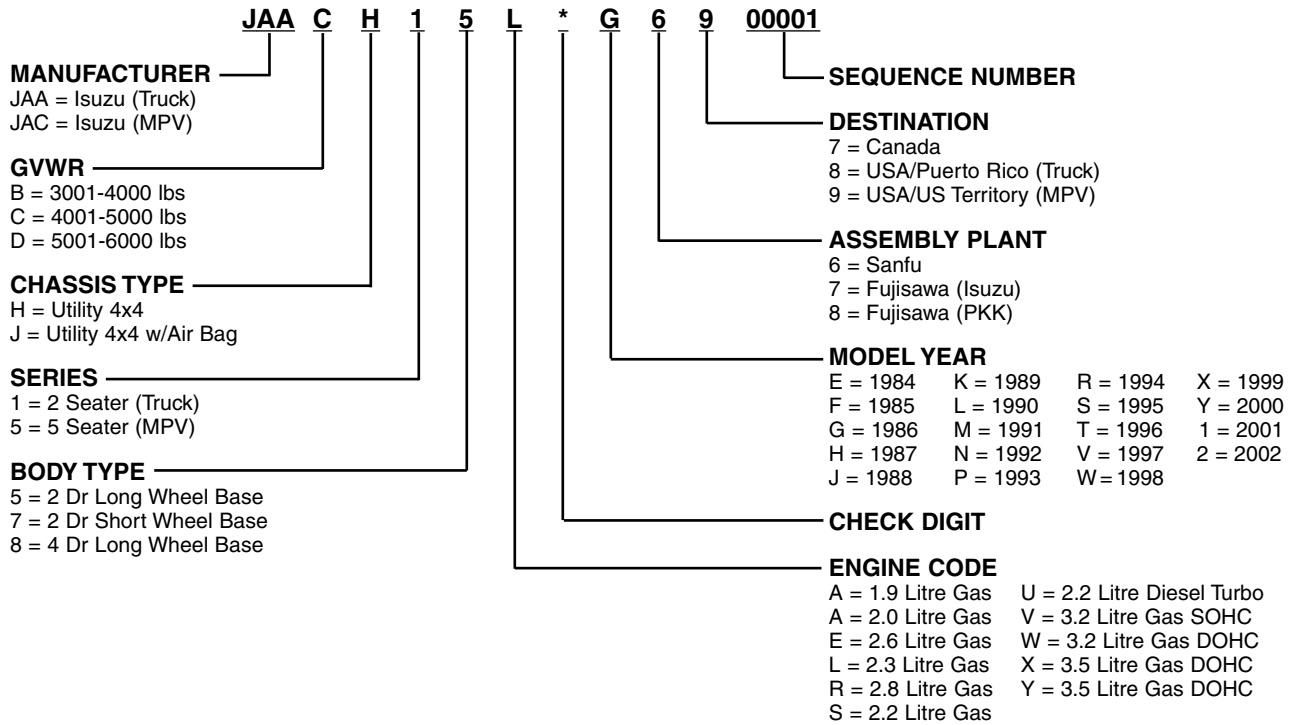


IDENTIFICATION

STYLUS 1991-93

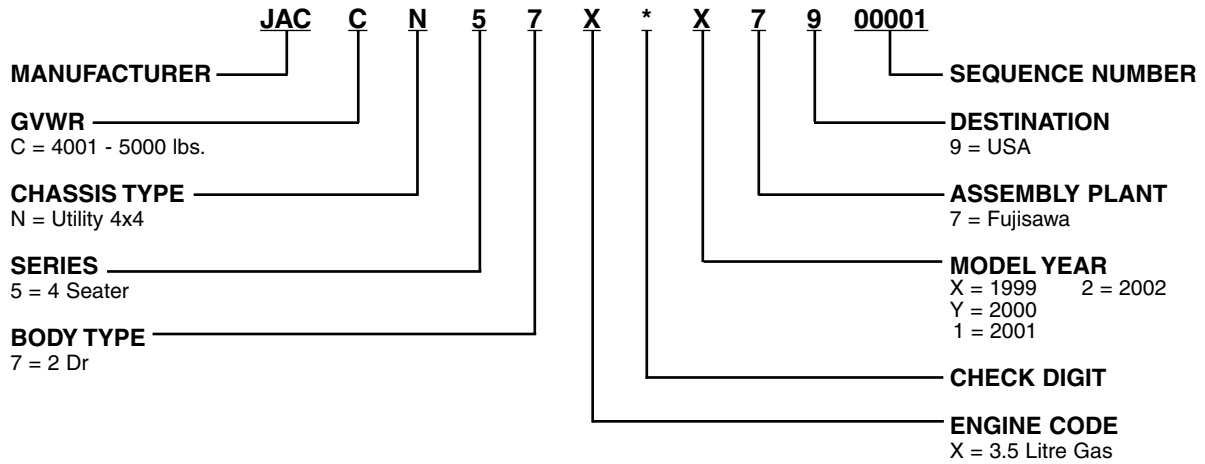


TROOPER 1984-2002 & TROOPER II 1984-1999

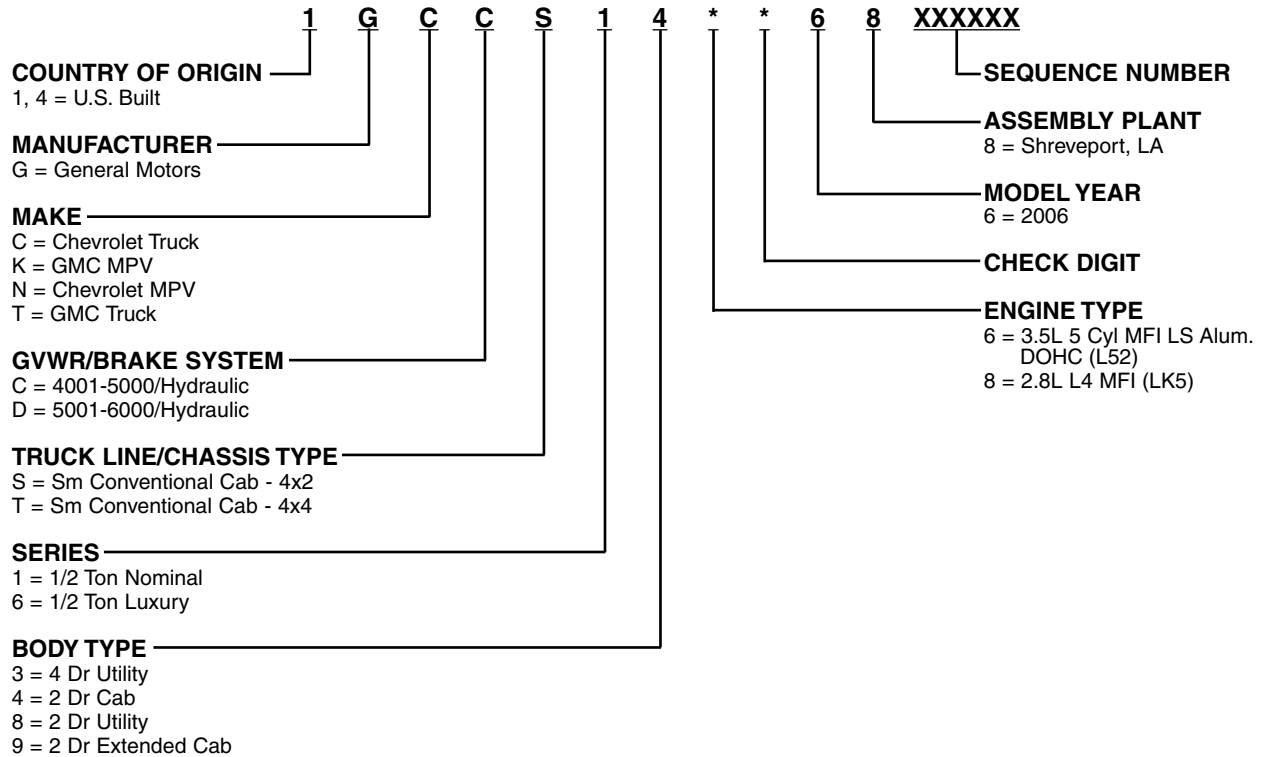


IDENTIFICATION

VehiCROSS 1999-2002

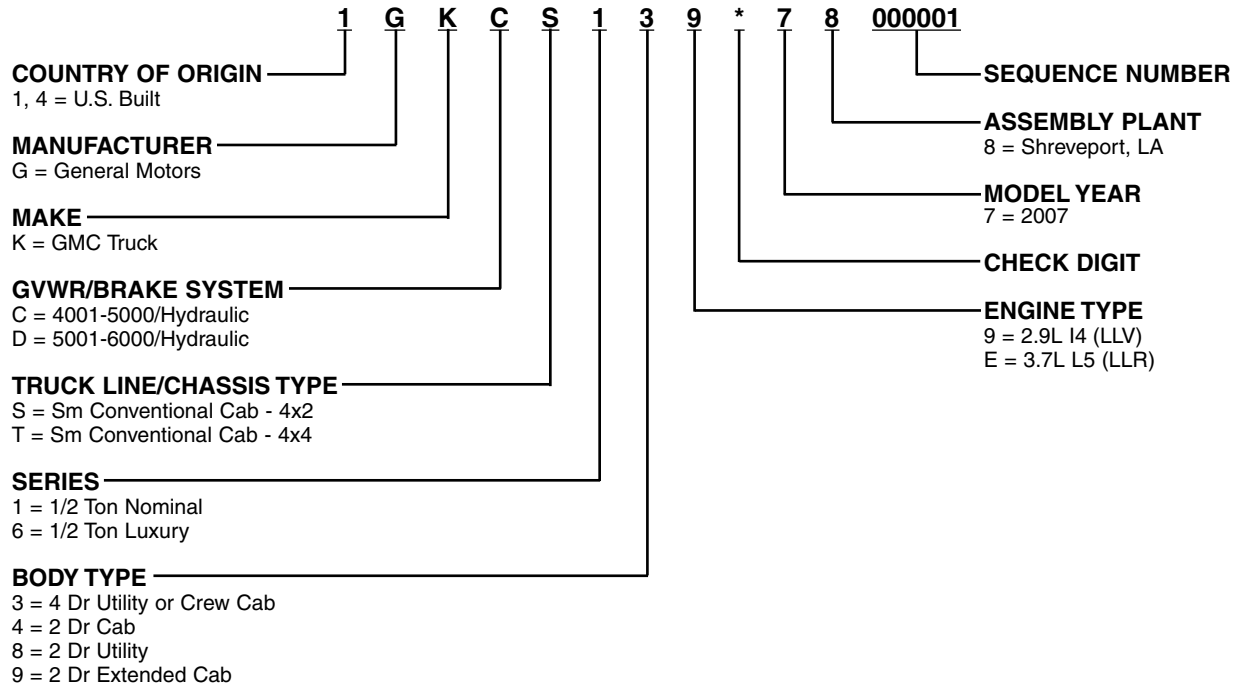


i-280, i-350 2006



IDENTIFICATION

i-290, i-370 2007



IDENTIFICATION

MODEL REFERENCE

YEAR & MODEL	MODEL CODE	ENGINE DISPLACEMENT	BODY TYPE	TRANSMISSION	CHASSIS SEQUENCE NUMBER		
1981	I-Mark	PF60ZLD	1.8 Litre Gas	2 Dr Cpe, Deluxe	5 Speed	0800046-0819122	
		PF60ZLS	1.8 Litre Gas	2 Dr Cpe, Sport	5 Speed	0800046-0819122	
		PF60ZLTD	1.8 Litre Gas	2 Dr Cpe, Deluxe	Auto Trans	0800046-0819122	
		PF60ZLTS	1.8 Litre Gas	2 Dr Cpe, Sport	Auto Trans	0800046-0819122	
		PF60LD	1.8 Litre Gas	4 Dr Sed, Deluxe	5 Speed	0800046-0819122	
		PF60LTD	1.8 Litre Gas	4 Dr Sed, Deluxe	Auto Trans	0800046-0819122	
		PFD60ZL	1.8 Litre Diesel	2 Dr Cpe, Std	4 Speed	0800046-0819122	
		PFD60ZLD	1.8 Litre Diesel	2 Dr Cpe, Deluxe	5 Speed	0800046-0819122	
		PFD60ZLS	1.8 Litre Diesel	2 Dr Cpe, Sport	5 Speed	0800046-0819122	
		PFD60ZLTD	1.8 Litre Diesel	2 Dr Cpe, Deluxe	Auto Trans	0800046-0819122	
		PFD60ZLTS	1.8 Litre Diesel	2 Dr Cpe, Sport	Auto Trans	0800046-0819122	
		PFD60LD	1.8 Litre Diesel	4 Dr Sed, Deluxe	5 Speed	0800046-0819122	
		PFD60LTD	1.8 Litre Diesel	4 Dr Sed, Deluxe	Auto Trans	0800046-0819122	
		Pickup	KB31	1.8 Litre Gas	6 Ft Bed, Std	4 Speed	B0700001 & Up
			KB31T	1.8 Litre Gas	6 Ft Bed, Std	Auto Trans	B0700001 & Up
			KB31D	1.8 Litre Gas	6 Ft Bed, Deluxe	4 Speed	B0700001 & Up
			KB31TD	1.8 Litre Gas	6 Ft Bed, Deluxe	Auto Trans	B0700001 & Up
	KB36		1.8 Litre Gas	7[1/2] Ft Bed, Std	4 Speed	B0700001 & Up	
	KB36T		1.8 Litre Gas	7[1/2] Ft Bed, Std	Auto Trans	B0700001 & Up	
	KB36D		1.8 Litre Gas	7[1/2] Ft Bed, Deluxe	4 Speed	B0700001 & Up	
	KB36TD		1.8 Litre Gas	7[1/2] Ft Bed, Deluxe	Auto Trans	B0700001 & Up	
	KB51		1.8 Litre Gas	4x4, Std	4 Speed	B0700001 & Up	
	KB51D		1.8 Litre Gas	4x4, Deluxe	4 Speed	B0700001 & Up	
	KBD31		2.2 Litre Diesel	6 Ft Bed, Std	5 Speed	B0700001 & Up	
	KBD31D	2.2 Litre Diesel	6 Ft Bed, Deluxe	5 Speed	B0700001 & Up		
	KBD36	2.2 Litre Diesel	7[1/2] Ft Bed, Std	5 Speed	B0700001 & Up		
	KBD36D	2.2 Litre Diesel	7[1/2] Ft Bed, Deluxe	5 Speed	B0700001 & Up		
	KBD51	2.2 Litre Diesel	4x4, Std	4 Speed	B0700001 & Up		
KBD51D	2.2 Litre Diesel	4x4, Deluxe	4 Speed	B0700001 & Up			
1982	I-Mark	PF60ZLD	1.8 Litre Gas	2 Dr Cpe, Deluxe	5 Speed	0819123 & Up	
		PF60ZLS	1.8 Litre Gas	2 Dr Cpe, Sport	5 Speed	0819123 & Up	
		PF60ZLTD	1.8 Litre Gas	2 Dr Cpe, Deluxe	Auto Trans	0819123 & Up	
		PF60ZLTS	1.8 Litre Gas	2 Dr Cpe, Sport	Auto Trans	0819123 & Up	
		PF60LD	1.8 Litre Gas	4 Dr Sed, Deluxe	5 Speed	0819123 & Up	
		PF60LTD	1.8 Litre Gas	4 Dr Sed, Deluxe	Auto Trans	0819123 & Up	
		PF60LS	1.8 Litre Gas	4 Dr Sed, Sport	5 Speed	0819123 & Up	
		PF60LTS	1.8 Litre Gas	4 Dr Sed, Sport	Auto Trans	0819123 & Up	
		PFD60ZL	1.8 Litre Diesel	2 Dr Cpe, Std	4 Speed	0819123 & Up	
		PFD60ZLD	1.8 Litre Diesel	2 Dr Cpe, Deluxe	5 Speed	0819123 & Up	
		PFD60ZLS	1.8 Litre Diesel	2 Dr Cpe, Sport	5 Speed	0819123 & Up	
		PFD60ZLTD	1.8 Litre Diesel	2 Dr Cpe, Deluxe	Auto Trans	0819123 & Up	
		PFD60ZLTS	1.8 Litre Diesel	2 Dr Cpe, Sport	Auto Trans	0819123 & Up	
		PFD60LD	1.8 Litre Diesel	4 Dr Sed, Deluxe	5 Speed	0819123 & Up	
		PFD60LTD	1.8 Litre Diesel	4 Dr Sed, Deluxe	Auto Trans	0819123 & Up	
		PFD60LS	1.8 Litre Diesel	4 Dr Sed, Sport	5 Speed	0819123 & Up	
		PFD60LTS	1.8 Litre Diesel	4 Dr Sed, Sport	Auto Trans	0819123 & Up	
		Pickup	KB31	1.8 Litre Gas	6 Ft Bed, Std	4 & 5 Speed	C0700001 & Up
			KB31T	1.8 Litre Gas	6 Ft Bed, Std	Auto Trans	C0700001 & Up
	KB31D		1.8 Litre Gas	6 Ft Bed, Deluxe	4 & 5 Speed	C0700001 & Up	
	KB31TD		1.8 Litre Gas	6 Ft Bed, Deluxe	Auto Trans	C0700001 & Up	
	KB36		1.8 Litre Gas	7[1/2] Ft Bed, Std	4 & 5 Speed	C0700001 & Up	
	KB36T		1.8 Litre Gas	7[1/2] Ft Bed, Std	Auto Trans	C0700001 & Up	
	KB36D		1.8 Litre Gas	7[1/2] Ft Bed, Deluxe	4 & 5 Speed	C0700001 & Up	
	KB36TD		1.8 Litre Gas	7[1/2] Ft Bed, Deluxe	Auto Trans	C0700001 & Up	
	KB51		1.8 Litre Gas	4x4, Std	4 Speed	C0700001 & Up	
	KB51D		1.8 Litre Gas	4x4, Deluxe	4 Speed	C0700001 & Up	
	KBD31		2.2 Litre Diesel	6 Ft Bed, Std	5 Speed	C0700001 & Up	
	KBD31D		2.2 Litre Diesel	6 Ft Bed, Deluxe	5 Speed	C0700001 & Up	
	KBD36		2.2 Litre Diesel	7[1/2] Ft Bed, Std	5 Speed	C0700001 & Up	
	KBD36D		2.2 Litre Diesel	7[1/2] Ft Bed, Deluxe	5 Speed	C0700001 & Up	
	KBD51	2.2 Litre Diesel	4x4, Std	4 Speed	C0700001 & Up		
	KBD51D	2.2 Litre Diesel	4x4, Deluxe	4 Speed	C0700001 & Up		

IDENTIFICATION

MODEL REFERENCE (Cont.)

YEAR & MODEL	MODEL CODE	ENGINE DISPLACEMENT	BODY TYPE	TRANSMISSION	CHASSIS SEQUENCE NUMBER		
1983	I-Mark	PF60ZLD	1.8 Litre Gas	2 Dr Cpe, Deluxe	5 Speed	D0800001 & Up	
		PF60ZLS	1.8 Litre Gas	2 Dr Cpe, Sport	5 Speed	D0800001 & Up	
		PF60ZLTD	1.8 Litre Gas	2 Dr Cpe, Deluxe	Auto Trans	D0800001 & Up	
		PF60ZLTS	1.8 Litre Gas	2 Dr Cpe, Sport	Auto Trans	D0800001 & Up	
		PF60LD	1.8 Litre Gas	4 Dr Sed, Deluxe	5 Speed	D0800001 & Up	
		PF60LTD	1.8 Litre Gas	4 Dr Sed, Deluxe	Auto Trans	D0800001 & Up	
		PF60LS	1.8 Litre Gas	4 Dr Sed, Sport	5 Speed	D0800001 & Up	
		PG60LTS	1.8 Litre Gas	4 Dr Sed, Sport	Auto Trans	D0800001 & Up	
		PFD60ZL	1.8 Litre Diesel	2 Dr Cpe, Std	4 Speed	D0800001 & Up	
		PFD60ZLD	1.8 Litre Diesel	2 Dr Cpe, Deluxe	5 Speed	D0800001 & Up	
		PFD60ZLS	1.8 Litre Diesel	2 Dr Cpe, Sport	5 Speed	D0800001 & Up	
		PFD60ZLTD	1.8 Litre Diesel	2 Dr Cpe, Deluxe	Auto Trans	D0800001 & Up	
		PFD60ZLTS	1.8 Litre Diesel	2 Dr Cpe, Sport	Auto Trans	D0800001 & Up	
		PFD60LD	1.8 Litre Diesel	4 Dr Sed, Deluxe	5 Speed	D0800001 & Up	
		PFD60LTD	1.8 Litre Diesel	4 Dr Sed, Deluxe	Auto Trans	D0800001 & Up	
		PFD60LS	1.8 Litre Diesel	4 Dr Sed, Sport	5 Speed	D0800001 & Up	
		PFD60LTS	1.8 Litre Diesel	4 Dr Sed, Sport	Auto Trans	D0800001 & Up	
		Impulse	JR130UMSL	2.0 Litre Gas	2 Dr Cpe	5 Speed	D0900101 & Up
			JR130UTSL	2.0 Litre Gas	2 Dr Cpe	Auto Trans	D0900101 & Up
		Pickup	KB32	2.0 Litre Gas	6 Ft Bed, Std	4 Speed	D0700001 & Up
			KB32M	2.0 Litre Gas	6 Ft Bed, Deluxe	5 Speed	D0700001 & Up
	KB32TM		2.0 Litre Gas	6 Ft Bed, Deluxe	Auto Trans	D0700001 & Up	
	KB32D		2.0 Litre Gas	6 Ft Bed, Sport	5 Speed	D0700001 & Up	
	KB37		2.0 Litre Gas	7[1/2] Ft Bed, Std	4 Speed	D0700001 & Up	
	KB37M		2.0 Litre Gas	7[1/2] Ft Bed, Deluxe	5 Speed	D0700001 & Up	
	KB37TM		2.0 Litre Gas	7[1/2] Ft Bed, Deluxe	Auto Trans	D0700001 & Up	
	KB37D		2.0 Litre Gas	7[1/2] Ft Bed, Sport	5 Speed	D0700001 & Up	
	KB52M		2.0 Litre Gas	4x4, Deluxe	4 Speed	D0700001 & Up	
	KB52D		2.0 Litre Gas	4x4, Sport	4 Speed	D0700001 & Up	
	KBD31		2.2 Litre Diesel	6 Ft Bed, Std	4 & 5 Speed	D0700001 & Up	
	KBD31M		2.2 Litre Diesel	6 Ft Bed, Deluxe	5 Speed	D0700001 & Up	
	KBD36		2.2 Litre Diesel	7[1/2] Ft Bed, Std	5 Speed	D0700001 & Up	
	KBD36M		2.2 Litre Diesel	7[1/2] Ft Bed, Deluxe	5 Speed	D0700001 & Up	
KBD36D	2.2 Litre Diesel		7[1/2] Ft Bed, Sport	5 Speed	D0700001 & Up		
KBD51M	2.2 Litre Diesel	4x4, Deluxe	4 Speed	D0700001 & Up			
KBD51D	2.2 Litre Diesel	4x4, Sport	4 Speed	D0700001 & Up			
1984-85	I-Mark	PF60LD	1.8 Litre Gas	4 Dr Sed, Deluxe	5 Speed	E0800001 & Up	
		PF60LTD	1.8 Litre Gas	4 Dr Sed, Deluxe	Auto Trans	E0800001 & Up	
		JTU69M79	1.5 Litre Gas	4 Dr Notchback	5 Speed	100001 & Up	
		JTU69RMC	1.5 Litre Gas	4 Dr Notchback	Auto Trans	100001 & Up	
		JTU77M79	1.5 Litre Gas	2 Dr Hatchback	5 Speed	100001 & Up	
		JTU77RMC	1.5 Litre Gas	2 Dr Hatchback	Auto Trans	100001 & Up	
		PFD60LD	1.8 Litre Diesel	4 Dr Sed, Deluxe	5 Speed	E0800001 & Up	
		PFD60LTD	1.8 Litre Diesel	4 Dr Sed, Deluxe	Auto Trans	E0800001 & Up	
		PFD60ZL	1.8 Litre Diesel	2 Dr Cpe, Std	4 Speed	E0800001 & Up	
		Impulse	JR130UMSL	2.0 Litre Gas	2 Dr Cpe	5 Speed	E0900001 & Up
			JR130UTSL	2.0 Litre Gas	2 Dr Cpe	Auto Trans	E0900001 & Up
	Pickup	KB32	1.9 Litre Gas	6 Ft Bed, Std	4 Speed	E0700001 & Up	
		KB32M	1.9 Litre Gas	6 Ft Bed, Deluxe	5 Speed	E0700001 & Up	
		KB32TM	1.9 Litre Gas	6 Ft Bed, LS	5 Speed	E0700001 & Up	
		KB37	1.9 Litre Gas	7[1/2] Ft Bed, Std	4 Speed	E0700001 & Up	
		KB37M	1.9 Litre Gas	7[1/2] Ft Bed, Deluxe	5 Speed	E0700001 & Up	
		KB37TM	1.9 Litre Gas	7[1/2] Ft Bed, Deluxe	Auto Trans	E0700001 & Up	
		KB37D	1.9 Litre Gas	7[1/2] Ft Bed, LS	5 Speed	E0700001 & Up	
		KB52D	1.9 Litre Gas	6 Ft Bed, 4x4, LS	4 Speed	E0700001 & Up	
		KB52M	1.9 Litre Gas	6 Ft Bed, 4x4, Deluxe	4 Speed	E0700001 & Up	
		KB57	1.9 Litre Gas	7[1/2] Ft Bed, 4x4, Std	4 Speed	E0700001 & Up	
		KB57D	1.9 Litre Gas	7[1/2] Ft Bed, 4x4, LS	4 Speed	E0700001 & Up	
		KB57M	1.9 Litre Gas	7[1/2] Ft Bed, 4x4, Deluxe	4 Speed	E0700001 & Up	
		KBD31	2.2 Litre Diesel	6 Ft Bed, Std	4 & 5 Speed	E0700001 & Up	
		KBD31M	2.2 Litre Diesel	6 Ft Bed, Deluxe	5 Speed	E0700001 & Up	
		KBD31TM	2.2 Litre Diesel	6 Ft Bed, Deluxe	Auto Trans	E0700001 & Up	
		KBD36	2.2 Litre Diesel	7[1/2] Ft Bed, Std	5 Speed	E0700001 & Up	
		KBD36D	2.2 Litre Diesel	7[1/2] Ft Bed, LS	5 Speed	E0700001 & Up	
		KBD36M	2.2 Litre Diesel	7[1/2] Ft Bed, Deluxe	5 Speed	E0700001 & Up	
		KBD36TM	2.2 Litre Diesel	7[1/2] Ft Bed, Deluxe	Auto Trans	E0700001 & Up	

IDENTIFICATION

MODEL REFERENCE (Cont.)

YEAR & MODEL	MODEL CODE	ENGINE DISPLACEMENT	BODY TYPE	TRANSMISSION	CHASSIS SEQUENCE NUMBER
1984-85 (Cont.)					
Pickup (Cont.)	KBD510	2.2 Litre Diesel	6 Ft Bed, 4x4, LS	4 Speed	E0700001 & Up
	KBD51M	2.2 Litre Diesel	6 Ft Bed, 4x4, Deluxe	4 Speed	E0700001 & Up
	KBD56	2.2 Litre Diesel	7[1/2] Ft Bed, 4x4, Std	4 Speed	E0700001 & Up
	KBD56D	2.2 Litre Diesel	7[1/2] Ft Bed, 4x4, LS	4 Speed	E0700001 & Up
	KBD56M	2.2 Litre Diesel	7[1/2] Ft Bed, 4x4, Deluxe	4 Speed	E0700001 & Up
Trooper II	-	2.0 Litre Gas	4x4	4 Speed	8E5400001 & Up
1986					
I-Mark	JTU69M79	1.5 Litre Gas	4 Dr Notchback	5 Speed	111154 & Up
	JTU69RMC	1.5 Litre Gas	4 Dr Notchback	Auto Trans	111154 & Up
	JTU77M79	1.5 Litre Gas	2 Dr Hatchback	5 Speed	111154 & Up
	JTU77RMC	1.5 Litre Gas	2 Dr Hatchback	Auto Trans	111154 & Up
Impulse	JRU07LR9	2.0 Litre Gas Turbo	2 Dr Hatchback	5 Speed	900107 & Up
	JRU07LR9	2.0 Litre Gas Turbo	2 Dr Hatchback	Auto Trans	900107 & Up
	JRU07LY3	2.0 Litre Gas	2 Dr Hatchback	5 Speed	900107 & Up
	JRU07LY3	2.0 Litre Gas	2 Dr Hatchback	Auto Trans	900107 & Up
Pickup	KB32	1.9 Litre Gas	6 Ft Bed, Std	4 Speed	G0700001
	KB33D	2.3 Litre Gas	6 Ft Bed, LS	5 Speed	G0700001
	KB33M	2.3 Litre Gas	6 Ft Bed, Deluxe	5 Speed	G0700001
	KB33T	2.3 Litre Gas	6 Ft Bed, Std	Auto Trans	G0700001
	KB38	2.3 Litre Gas	7 Ft Bed, Std	5 Speed	G0700001
	KB38M	2.3 Litre Gas	7 Ft Bed, Deluxe	5 Speed	G0700001
	KB38SD	2.3 Litre Gas	7 Ft Bed, LS, Space	5 Speed	G0700001
	KB38SM	2.3 Litre Gas	7 Ft Bed, Deluxe, Space	5 Speed	G0700001
	KB53D	2.3 Litre Gas	6 Ft Bed, 4x4, LS	5 Speed	G0700001
	KB53M	2.3 Litre Gas	6 Ft Bed, 4x4, Deluxe	5 Speed	G0700001
	KB58M	2.3 Litre Gas	7 Ft Bed, 4x4, Deluxe	5 Speed	G0700001
	KB58SD	2.3 Litre Gas	7 Ft Bed, 4x4, LS, Space	5 Speed	G0700001
	KB58SM	2.3 Litre Gas	7 Ft Bed, 4x4, Deluxe, Space	5 Speed	G0700001
	KBD31	2.2 Litre Diesel	6 Ft Bed, Std, w/ Calif E.C.S.	5 Speed	G0700001
	KBD31	2.2 Litre Diesel	6 Ft Bed, Std, w/o Calif E.C.S.	4 Speed	G0700001
	KBD31T	2.2 Litre Diesel	6 Ft Bed, Std	Auto Trans	G0700001
	KBD36	2.2 Litre Diesel	7 Ft Bed, Std	5 Speed	G0700001
	KBD36JM	2.2 Litre Diesel	7 Ft Bed, Deluxe	5 Speed	G0700001
	KBD36SJD	2.2 Litre Diesel	7 Ft Bed, LS, Space	5 Speed	G0700001
	KBD36SJM	2.2 Litre Diesel	7 Ft Bed, Deluxe, Space	5 Speed	G0700001
	KBD51JM	2.2 Litre Diesel	6 Ft Bed, 4x4, Deluxe	5 Speed	G0700001
	KBD56JM	2.2 Litre Diesel	7 Ft Bed, 4x4, Deluxe	5 Speed	G0700001
	KBD56SJM	2.2 Litre Diesel	7 Ft Bed, 4x4, Deluxe	5 Speed	G0700001
Trooper II	-	2.3 Litre Gas	4x4, Deluxe	5 Speed	8G5400001
	-	2.3 Litre Gas	4x4, LS	5 Speed	8G5400001
	-	2.3 Litre Diesel	4x4, Deluxe	5 Speed	8G5400001
	-	2.3 Litre Diesel	4x4, LS	5 Speed	8G5400001
1987					
I-Mark	JTU69M79	1.5 Litre Gas	4 Dr Notchback	5 Speed	H4100001 & Up
	JTU69RMC	1.5 Litre Gas	4 Dr Notchback	Auto Trans	H4100001 & Up
	JTU77M79	1.5 Litre Gas	2 Dr Hatchback	5 Speed	H4100001 & Up
	JTU77RMC	1.5 Litre Gas	2 Dr Hatchback	Auto Trans	H4100001 & Up
	JTU69M79	1.5 Litre Gas Turbo	4 Dr Notchback	5 Speed	H4100001 & Up
	JTU77M79	1.5 Litre Gas Turbo	2 Dr Hatchback	5 Speed	H4100001 & Up
Impulse	JRU07LY3	2.0 Litre Gas	2 Dr Hatchback	5 Speed	H0900001 & Up
	JRU07LY3	2.0 Litre Gas	2 Dr Hatchback	Auto Trans	H0900001 & Up
	JRU07LR9	2.0 Litre Gas Turbo	2 Dr Hatchback	5 Speed	H0900001 & Up
	JRU07LR9	2.0 Litre Gas Turbo	2 Dr Hatchback	Auto Trans	H0900001 & Up
Pickup	TFB7SF	1.9 Litre Gas	7 Ft Bed 4x2	Auto Trans	H0700001 & Up
	TFB7SC	2.3 Litre Gas	6 Ft Bed 4x2	5 Speed	H0700001 & Up
	TFB7SC	2.3 Litre Gas	6 Ft Bed 4x2	Auto Trans	H0700001 & Up
	TFB7SC	2.2 Litre Diesel	6 Ft Bed 4x2	4 Speed	H0700001 & Up
	TFB7SC	2.2 Litre Diesel	6 Ft Bed 4x2	5 Speed	H0700001 & Up
	TFB7SF	2.3 Litre Gas	7 Ft Bed 4x2	5 Speed	H0700001 & Up
	TFB7SF	2.3 Litre Gas	7 Ft Bed 4x2	Auto Trans	H0700001 & Up
	TFB7SF	2.2 Litre Diesel	7 Ft Bed 4x2	5 Speed	H0700001 & Up
	TFB7CF	2.3 Litre Gas	Space Cab 4x2	5 Speed	H0700001 & Up
	TFB7CF	2.3 Litre Gas	Space Cab 4x2	Auto Trans	H0700001 & Up
	TFB7CF	2.2 Litre Diesel Turbo	Space Cab 4x2	5 Speed	H0700001 & Up
	TFS7SC	2.3 Litre Gas	6 Ft Bed 4x4	5 Speed	H0700001 & Up
	TFS7SC	2.2 Litre Diesel Turbo	6 Ft Bed 4x4	5 Speed	H0700001 & Up
	TFS7SF	2.2 Litre Diesel Turbo	7 Ft Bed 4x4	5 Speed	H0700001 & Up
	TFS7CF	2.3 Litre Gas	Space Cab 4x4	5 Speed	H0700001 & Up

Cont.

IDENTIFICATION

MODEL REFERENCE (Cont.)					
YEAR & MODEL	MODEL CODE	ENGINE DISPLACEMENT	BODY TYPE	TRANSMISSION	CHASSIS SEQUENCE NUMBER
1987 (Cont.)					
Trooper II	UBS7VF	2.3 Litre Gas	2 Dr 4x4	5 Speed	H7800100 & Up
	UBS7VF	2.3 Litre Gas	4 Dr 4x4	5 Speed	H7800100 & Up
	UBS7VF	2.2 Litre Diesel Turbo	2 Dr 4x4	5 Speed	H7800100 & Up
	UBS7VF	2.2 Litre Diesel Turbo	4 Dr 4x4	5 Speed	H7800100 & Up
1988					
I-Mark	JTU69M79	1.5 Litre Gas	4 Dr Notchback	5 Speed	J7400001 & Up
	JTU69RMC	1.5 Litre Gas	4 Dr Notchback	Auto Trans	J7400001 & Up
	JTU77M79	1.5 Litre Gas	2 Dr Hatchback	5 Speed	J7400001 & Up
	JTU77RMC	1.5 Litre Gas	2 Dr Hatchback	Auto Trans	J7400001 & Up
	JTU69M79	1.5 Litre Gas Turbo	4 Dr Notchback	5 Speed	J7400001 & Up
	JTU77M79	1.5 Litre Gas Turbo	2 Dr Hatchback	5 Speed	J7400001 & Up
	Impulse	JRU07LW3	2.3 Litre Gas	2 Dr Hatchback	5 Speed
JRU07LW3		2.3 Litre Gas	2 Dr Hatchback	Auto Trans	J7300100 & Up
JRU07LR9		2.0 Litre Gas Turbo	2 Dr Hatchback	5 Speed	J7300100 & Up
JRU07LR9		2.0 Litre Gas Turbo	2 Dr Hatchback	Auto Trans	J7300100 & Up
Pickup	TFB7SC	2.3 Litre Gas	6 Ft Bed 4x2	5 Speed	J7200001 & Up
	TFB7SC	2.6 Litre Gas	6 Ft Bed 4x2	5 Speed	J7200001 & Up
	TFB7SC	2.6 Litre Gas	6 Ft Bed 4x2	Auto Trans	J7200001 & Up
	TFB7SF	2.3 Litre Gas	7 Ft Bed 4x2	5 Speed	J7200001 & Up
	TFB7SF	2.6 Litre Gas	7 Ft Bed 4x2	5 Speed	J7200001 & Up
	TFB7SF	2.6 Litre Gas	7 Ft Bed 4x2	Auto Trans	J7200001 & Up
	TFB7CF	2.6 Litre Gas	Space Cab 4x2	5 Speed	J7200001 & Up
	TFB7CF	2.6 Litre Gas	Space Cab 4x2	Auto Trans	J7200001 & Up
	TFS7SC	2.6 Litre Gas	6 Ft Bed 4x4	5 Speed	J7200001 & Up
	TFS7SC	2.6 Litre Gas	6 Ft Bed 4x4	Auto Trans	J7200001 & Up
	TFS7SF	2.6 Litre Gas	7 Ft Bed 4x4	5 Speed	J7200001 & Up
	TFS7SF	2.6 Litre Gas	7 Ft Bed 4x4	Auto Trans	J7200001 & Up
	TFS7CF	2.6 Litre Gas	Space Cab 4x4	5 Speed	J7200001 & Up
	TFS7CF	2.6 Litre Gas	Space Cab 4x4	Auto Trans	J7200001 & Up
	Trooper II	UBS7VF	2.6 Litre Gas	2 Dr 4x4	5 Speed
UBS7VF		2.6 Litre Gas	4 Dr 4x4	5 Speed	J8000001 & Up
UBS7VF		2.6 Litre Gas	4 Dr 4x4	Auto Trans	J8000001 & Up
1989					
Amigo	UCB7SC	2.3 Litre Gas	2 Dr 4x2	5 Speed	K5800001 & Up
	UCS7SC	2.6 Litre Gas	2 Dr 4x4	5 Speed	K5800001 & Up
	UC7SC	2.6 Litre Gas	2 Dr 4x4	5 Speed	K5800001 & Up
I-Mark	JTU69	1.5 Litre Gas	2 Dr Hatchback	5 Speed	K7400001 & Up
	JTU69	1.5 Litre Gas	2 Dr Hatchback	Auto	K7400001 & Up
	JTU77	1.6 Litre Gas	4 Dr Notchback	5 Speed	K7400001 & Up
Impulse	JRU07	2.0 Litre Gas Turbo	2 Dr Hatchback	5 Speed	K7300001 & Up
	JRU07	2.0 Litre Gas Turbo	2 Dr Hatchback	Auto	K7300001 & Up
	JRU07	2.3 Litre Gas	2 Dr Hatchback	5 Speed	K7300001 & Up
	JRU07	2.3 Litre Gas	2 Dr Hatchback	Auto	K7300001 & Up
Pickup	TFB7SC	2.3 Litre Gas	6 Ft. Bed 4x2	5 Speed	K7200001 & Up
	TFB7SC	2.6 Litre Gas	6 Ft. Bed 4x2	5 Speed	K7200001 & Up
	TFB7SC	2.6 Litre Gas	6 Ft. Bed 4x2	Auto	K7200001 & Up
	TFB7SF	2.3 Litre Gas	7 Ft. Bed 4x2	5 Speed	K7200001 & Up
	TSB7SF	2.6 Litre Gas	7 Ft. Bed 4x4	5 Speed	K7200001 & Up
	TFB7SF	2.6 Litre Gas	7 Ft. Bed 4x2	Auto	K7200001 & Up
	TFB7CF	2.6 Litre Gas	Space Cab 4x2	5 Speed	K7200001 & Up
	TFB7CF	2.6 Litre Gas	Space Cab 4x2	Auto	K7200001 & Up
	TFS7SC	2.6 Litre Gas	6 Ft Bed 4x4	5 Speed	K7200001 & Up
	TFS7SC	2.6 Litre Gas	6 Ft. Bed 4x4	Auto	K7200001 & Up
	TFS7SF	2.6 Litre Gas	7 Ft. Bed 4x4	5 Speed	K7200001 & Up
	TFS7SF	2.6 Litre Gas	7 Ft. Bed 4x4	Auto	K7200001 & Up
	TFS7CF	2.6 Litre Gas	Space Cab 4x4	5 Speed	K7200001 & Up
	TFS7CF	2.6 Litre Gas	Space Cab 4x4	Auto	K7200001 & Up
	Trooper	UBS7VF	2.6 Litre Gas	2 Dr 4x4	5 Speed
UBS7VF		2.6 Litre Gas	4 Dr 4x4	5 Speed	K8900001 & Up
UBS7VF		2.6 Litre Gas	4 Dr 4x4	Auto	K8900001 & Up
V6		2.8 Litre Gas	2 Dr 4x4	5 Speed	K8800001 & Up
V6		2.8 Litre	4 Dr 4x4	5 Speed	K8900001 & Up
V6		2.8 Litre	4 Dr 4x4	Auto	K8900001 & Up
1990					
Amigo	UCB7SC	2.3 Litre Gas	2 Dr 4x2	5 Speed	L5800001 & Up
	UCS7SC	2.6 Litre Gas	2 Dr 4x4	5 Speed	L5800001 & Up
Impulse	JTU07	1.6 Litre Gas	2 Dr Coupe	5 Speed	L7400001 & Up
	JTU77	1.6 Litre Gas	2 Dr Coupe	Auto	L7400001 & Up

IDENTIFICATION

MODEL REFERENCE (Cont.)

YEAR & MODEL	MODEL CODE	ENGINE DISPLACEMENT	BODY TYPE	TRANSMISSION	CHASSIS SEQUENCE NUMBER	
1990 (Cont.)						
Pickup	TFB7SC	2.3 Litre Gas	6 Ft. Bed 4x2	5 Speed	L7200001 & Up	
	TFB7SC	2.6 Litre Gas	6 Ft. Bed 4x2	5 Speed	L7200001 & Up	
	TFB7SC	2.6 Litre Gas	6 Ft. Bed 4x2	Auto	L7200001 & Up	
	TFB7SF	2.3 Litre Gas	7 Ft. Bed 4x2	5 Speed	L7200001 & Up	
	TFB7SF	2.6 Litre Gas	7 Ft. Bed 4x4	5 Speed	L7200001 & Up	
	TFB7SF	2.6 Litre Gas	7 Ft. Bed 4x2	Auto	L7200001 & Up	
	TFB7CF	2.6 Litre Gas	Space Cab 4x2	5 Speed	L7200001 & Up	
	TFB7CF	2.6 Litre Gas	Space Cab 4x2	Auto	L7200001 & Up	
	TFS7SC	2.6 Litre Gas	6 Ft. Bed 4x4	5 Speed	L7200001 & Up	
	TFS7SF	2.6 Litre Gas	7 Ft. Bed 4x4	5 Speed	L7200001 & Up	
	TFS7CF	2.6 Litre Gas	Space Cab 4x4	5 Speed	L7200001 & Up	
	Trooper	UBS7VC	2.6 Litre Gas	2 Dr 4x4	5 Speed	L8800001 & Up
		UBS7VF	2.6 Litre Gas	4 Dr 4x4	5 Speed	L8900001 & Up
		UBS7VF	2.8 Litre Gas	4 Dr 4x4	5 Speed	L8900001 & Up
UBS7VF		2.8 Litre Gas	4 Dr 4x4	Auto	L8900001 & Up	
UBS7VC		2.8 Litre Gas	2 Dr 4x4	5 Speed	L8800001 & Up	
UBS7VC		2.8 Litre Gas	2 Dr 4x4	Auto	L8800001 & Up	
1991-92						
Amigo	UCB7SC	2.3 Litre Gas	2 Dr 4x2	5 Speed	800001 & Up	
	UCS7SC	2.6 Litre Gas	2 Dr 4x4	5 Speed	800001 & Up	
Impulse	JTU07	1.6 Litre Gas	2 Dr Coupe	5 Speed	400001 & Up	
	JTU77 (91)	1.6 Litre Gas	2 Dr HB	Auto	400001 & Up	
	JTU77 (92)	1.8 Litre Gas	2 Dr HB	Auto	400001 & Up	
Pickup	TFB7SC	2.3 Litre Gas	6 Ft. Bed 4x2	5 Speed	400001 & Up	
	TFB7SC	2.6 Litre Gas	6 Ft. Bed 4x2	5 Speed	400001 & Up	
	TFB7SC	2.6 Litre Gas	6 Ft. Bed 4x2	Auto	400001 & Up	
	TFB7SF	2.3 Litre Gas	7 Ft. Bed 4x2	5 Speed	400001 & Up	
	TFB7SF	2.6 Litre Gas	7 Ft. Bed 4x2	Auto	400001 & Up	
	TFB7SF	2.6 Litre Gas	7 Ft. Bed 4x2 1 Ton	5 Speed	400001 & Up	
	TFB7CF	2.6 Litre Gas	Space Cab 4x2	5 Speed	400001 & Up	
	TFB7CF	2.6 Litre Gas	Space Cab 4x2	Auto	400001 & Up	
	TFS7SC	2.6 Litre Gas	6 Ft. Bed 4x4	5 Speed	400001 & Up	
	TFS7CF	2.6 Litre Gas	Space Cab 4x4	5 Speed	400001 & Up	
	TFS7SC	3.1 Litre Gas	6 Ft. Bed 4x4	5 Speed	400001 & Up	
	Rodeo	UCB7VF	2.6 Litre Gas	4 Dr 4x2	5 Speed	400001 & Up
		UCB7VF	3.1 Litre Gas	4 Dr 4x2	5 Speed	400001 & Up
UCB7VF		3.1 Litre Gas	4 Dr 4x2	Auto	400001 & Up	
UCS7VF		3.1 Litre Gas	4 Dr 4x4	5 Speed	400001 & Up	
UCS7VF		3.1 Litre Gas	4 Dr 4x4	Auto	400001 & Up	
Stylus	JTU69	1.6 Litre Gas (SOHC)	4 Dr Notchback	5 Speed	400001 & Up	
	JTU69	1.6 Litre Gas (SOHC)	4 Dr Notchback	Auto	400001 & Up	
	JTU69	1.6 Litre Gas (DOHC)	4 Dr Notchback	5 Speed	400001 & Up	
	JTU69	1.8 Litre Gas (DOHC)	4 Dr Notchback	5 Speed	400001 & Up	
Trooper	UBS7VC	2.6 Litre Gas	2 Dr 4x4	5 Speed	800001 & Up	
	UBS7VF	2.6 Litre Gas	4 Dr 4x4	5 Speed	900001 & Up	
	UBS7VF	2.8 Litre Gas	4 Dr 4x4	5 Speed	900001 & Up	
	UBS7VF	2.8 Litre Gas	4 Dr 4x4	Auto	900001 & Up	
	UBS7VC	2.8 Litre Gas	2 Dr 4x4	5 Speed	800001 & Up	
	UBS7VC	2.8 Litre Gas	2 Dr 4x4	Auto	800001 & Up	
	UBS7VF	3.2 Litre Gas (SOHC)	4 Dr 4x4	5 Speed	900001 & Up	
	UBS7VF	3.2 Litre Gas (DOHC)	4 Dr 4x4	Auto	900001 & Up	

IDENTIFICATION

MODEL REFERENCE (Cont.)					
YEAR & MODEL	MODEL CODE	ENGINE DISPLACEMENT	BODY TYPE	TRANSMISSION	CHASSIS SEQUENCE NUMBER
1993-94					
Amigo	UCB7SC	2.3 Litre Gas	2 Dr 4x2	5 Speed	800001 & Up
	UCB7SC	2.6 Litre Gas	2 Dr 4x2	5 Speed	800001 & Up
Pickup	UCB7SC	2.6 Litre Gas	2 Dr 4x2	Auto	800001 & Up
	UCS7SC	2.6 Litre Gas	2 Dr 4x4	5 Speed	800001 & Up
	TFB7CF	2.6 Litre Gas	Space Cab 4x2	5 Speed	200001 & Up
	TFB7SC	2.3 Litre Gas	6 Ft. Bed 4x2	5 Speed	200001 & Up
	TFB7SC	2.6 Litre Gas	6 Ft. Bed 4x2	Auto	200001 & Up
	TFB7SF	2.3 Litre Gas	7.5 Ft. Bed 4x2	5 Speed	200001 & Up
	TFS7SC	2.6 Litre Gas	6 Ft. Bed 4x4	5 Speed	200001 & Up
	TFS7SC	3.1 Litre Gas	6 Ft. Bed 4x4	5 Speed	200001 & Up
Rodeo	UCB7VF	2.6 Litre Gas	4 Dr 4x2	5 Speed	300001 & Up
	UCB7VF	3.2 Litre Gas	4 Dr 4x2	5 Speed	300001 & Up
	UCB7VF	3.2 Litre Gas	4 Dr 4x2	Auto	300001 & Up
	UCS7VF	3.2 Litre Gas	4 Dr 4x4	5 Speed	300001 & Up
	UCS7VF	3.2 Litre Gas	4 Dr 4x4	Auto	300001 & Up
Stylus	JTU69	1.6 Litre Gas (SOHC)	4 Dr Notchback	5 Speed	400001 & Up
	JTU69	1.6 Litre Gas (SOHC)	4 Dr Notchback	Auto	400001 & Up
Trooper	UBS7VC	3.2 Litre Gas (DOHC)	2 Dr 4x4	5 Speed	900001 & Up
	UBS7VC	3.2 Litre Gas (DOHC)	2 Dr 4x4	Auto	900001 & Up
	UBS7VF	3.2 Litre Gas (SOHC)	4 Dr 4x4	5 Speed	900001 & Up
	UBS7VF	3.2 Litre Gas (SOHC)	4 Dr 4x4	Auto	900001 & Up
	UBS7VF	3.2 Litre Gas (DOHC)	4 Dr 4x4	5 Speed	900001 & Up
	UBS7VF	3.2 Litre Gas (DOHC)	4 Dr 4x4	Auto	900001 & Up
1995					
Pickup	TFB7SC	2.3 Litre Gas	6 Ft. Bed 4x2	5 Speed	200001 & Up
	TFB7SF	2.3 Litre Gas	7.5 Ft. Bed 4x2	5 Speed	200001 & Up
	TFS7SC	2.6 Litre Gas	6 Ft. Bed 4x4	5 Speed	200001 & Up
Rodeo	UCB7VF	2.6 Litre Gas	4 Dr 4x2	5 Speed	300001 & Up
	UCB7VF	3.2 Litre Gas	4 Dr 4x2	5 Speed	300001 & Up
	UCB7VF	3.2 Litre Gas	4 Dr 4x2	Auto	300001 & Up
	UCS7VF	3.2 Litre Gas	4 Dr 4x4	5 Speed	300001 & Up
	UCS7VF	3.2 Litre Gas	4 Dr 4x4	Auto	300001 & Up
	UCS7VF	3.2 Litre Gas	4 Dr 4x4	Auto	300001 & Up
Trooper	UBS7VC	3.2 Litre Gas (DOHC)	2 Dr 4x4	5 Speed	900001 & Up
	UBS7VC	3.2 Litre Gas (DOHC)	2 Dr 4x4	Auto	900001 & Up
	UBS7VF	3.2 Litre Gas (SOHC)	4 Dr 4x4	5 Speed	900001 & Up
	UBS7VF	3.2 Litre Gas (SOHC)	4 Dr 4x4	Auto	900001 & Up
	UBS7VF	3.2 Litre Gas (DOHC)	4 Dr 4x4	5 Speed	900001 & Up
	UBS7VF	3.2 Litre Gas (DOHC)	4 Dr 4x4	Auto	900001 & Up
	UBS7VF	3.2 Litre Gas (DOHC)	4 Dr 4x4	Auto	900001 & Up
1996-97					
Hombre	03,53	2.2 Litre Gas	2 Dr 4x2	5 Speed	000001 & Up
Oasis	DI	2.2 Litre Gas	4 Dr 4x2	Auto	000001 & Up
Rodeo	UCS7VF	2.6 Litre Gas	4 Dr 4x2	5 Speed	300001 & Up
	UCS7VF	3.2 Litre Gas	4 Dr 4x2	5 Speed	300001 & Up
	UCS7VF	3.2 Litre Gas	4 Dr 4x2	Auto	300001 & Up
	UCS7VF	3.2 Litre Gas	4 Dr 4x4	5 Speed	300001 & Up
	UCS7VF	3.2 Litre Gas	4 Dr 4x4	Auto	300001 & Up
	UCS7VF	3.2 Litre Gas	4 Dr 4x4	Auto	300001 & Up
	UCS7VF	3.2 Litre Gas	4 Dr 4x4	Auto	300001 & Up
Trooper	UBS7VF	3.2 Litre Gas	2 Dr 4x4	5 Speed	900001 & Up
	UBS7VF	3.2 Litre Gas	2 Dr 4x4	Auto	900001 & Up
	UBS7VF	3.2 Litre Gas	4 Dr 4x4	5 Speed	900001 & Up
	UBS7VF	3.2 Litre Gas	4 Dr 4x4	Auto	900001 & Up
	UBSZ7VF	3.2 Litre Gas	4 Dr 4x4	Auto	900001 & Up
1998					
Amigo	UEB7ZC	2.2 Litre Gas	4 Dr 4x2	5 Speed	00001 & Up
	UEB7ZC	3.2 Litre Gas	4 Dr 4x2	5 Speed	00001 & Up
	UES7ZC	3.2 Litre Gas	4 Dr 4x4	5 Speed	00001 & Up
	UES7ZC	3.2 Litre Gas	4 Dr 4x4	5 Speed	00001 & Up
Hombre	03,53	2.2 Litre Gas	2 Dr 4x2	5 Speed	000001 & Up
	03,53	4.3 Litre Gas	2 Dr 4x4	Auto	000001 & Up
Oasis	DI	2.3 Litre Gas	4 Dr 4x2	Auto	000001 & Up
Rodeo	UEB7VF	2.2 Litre Gas	4 Dr 4x2	5 Speed	00001 & Up
	UEB7VF	3.2 Litre Gas	4 Dr 4x2	5 Speed	00001 & Up
	UEB7VF	3.2 Litre Gas	4 Dr 4x2	Auto	00001 & Up
	UES7VF	3.2 Litre Gas	4 Dr 4x4	5 Speed	00001 & Up
	UES7VF	3.2 Litre Gas	4 Dr 4x4	Auto	00001 & Up
	UES7VF	3.2 Litre Gas	4 Dr 4x4	Auto	00001 & Up
	UES7VF	3.2 Litre Gas	4 Dr 4x4	Auto	00001 & Up
Trooper	UBS7VF	3.5 Litre Gas	4 Dr 4x4	5 Speed	00001 & Up
	UBS7VF	3.5 Litre Gas	4 Dr 4x4	Auto	00001 & Up

IDENTIFICATION

MODEL REFERENCE (Cont.)

YEAR & MODEL	MODEL CODE	ENGINE DISPLACEMENT	BODY TYPE	TRANSMISSION	CHASSIS SEQUENCE NUMBER
1999					
Amigo	UEB7ZC	2.2 Litre Gas	4 Dr 4x2	5 Speed	00001 & Up
	UEB7ZC	3.2 Litre Gas	4 Dr 4x2	5 Speed	00001 & Up
	UES7ZC	3.2 Litre Gas	4 Dr 4x4	5 Speed	00001 & Up
	UEB7VC	3.2 Litre Gas	4 Dr 4x4	Auto	00001 & Up
Hombre	03.53	2.2 Litre Gas	2 Dr 4x2	5 Speed	000001 & Up
	03.53	4.3 Litre Gas	2 Dr 4x4	Auto	000001 & Up
Oasis	DI	2.3 Litre Gas	4 Dr 4x2	Auto	000001 & Up
Rodeo	UEB7VF	2.2 Litre Gas	4 Dr 4x2	5 Speed	00001 & Up
	UEB7VF	3.2 Litre Gas	4 Dr 4x2	5 Speed	00001 & Up
	UEB7VF	3.2 Litre Gas	4 Dr 4x2	Auto	00001 & Up
	UES7VF	3.2 Litre Gas	4 Dr 4x4	5 Speed	00001 & Up
Trooper	UES7VF	3.2 Litre Gas	4 Dr 4x4	Auto	00001 & Up
	UBS7VF	3.5 Litre Gas	4 Dr 4x4	5 Speed	00001 & Up
	UBS7VF	3.5 Litre Gas	4 Dr 4x4	Auto	00001 & Up
VehiCROSS	UGS7VC	3.5 Litre Gas	2 Dr 4x4	Auto	00001 & Up
2000-2003					
Amigo	UEB7ZC	2.2 Litre Gas	4 Dr 4x2	5 Speed	00001 & Up
	UEB7ZC	3.2 Litre Gas	4 Dr 4x2	5 Speed	00001 & Up
	UES7ZC	3.2 Litre Gas	4 Dr 4x4	5 Speed	00001 & Up
	UEB7VC	3.2 Litre Gas	4 Dr 4x4	Auto	00001 & Up
Ascender	N.A.	4.2 Litre Gas	4 Dr 4x4, 4x2	Auto	00001 & Up
	N.A.	5.3 Litre Gas	4 Dr 4x4, 4x2	Auto	00001 & Up
Axiom	UPB7VF	3.5 Litre Gas	4 Dr 4x2	Auto	00001 & Up
	UPS7VF	3.5 Litre Gas	4 Dr 4x4	Auto	00001 & Up
Hombre	03.53	2.2 Litre Gas	2 Dr 4x2	5 Speed	000001 & Up
	03.53	4.3 Litre Gas	2 Dr 4x4	Auto	000001 & Up
Rodeo, Rodeo Sport	UEB7VF	2.2 Litre Gas	4 Dr 4x2	5 Speed	00001 & Up
	UEB7VF	3.2 Litre Gas	4 Dr 4x2	5 Speed	00001 & Up
	UEB7VF	3.2 Litre Gas	4 Dr 4x2	Auto	00001 & Up
	UES7VF	3.2 Litre Gas	4 Dr 4x4	5 Speed	00001 & Up
	UES7VF	3.2 Litre Gas	4 Dr 4x4	Auto	00001 & Up
Trooper	UBS7VF	3.5 Litre Gas	4 Dr 4x4	5 Speed	00001 & Up
	UBS7VF	3.5 Litre Gas	4 Dr 4x4	Auto	00001 & Up
	UGS7VC	3.5 Litre Gas	2 Dr 4x4	Auto	00001 & Up
2004					
Ascender	N.A.	4.2 Litre Gas	4 Dr 4x4, 4x2	4 Spd Auto	
	N.A.	5.3 Litre Gas	4 Dr 4x4, 4x2	4 Spd Auto	
Axiom	N.A.	3.5 Litre Gas	4 Dr 4x4, 4x2	4 Spd Auto	
Rodeo	N.A.	3.2 Litre Gas	4 Dr 4x4, 4x2	5 Spd Std, 4 Spd Auto	
	N.A.	3.5 Litre Gas	4 Dr 4x4, 4x2	4 Spd Auto	
2005					
Ascender	N.A.	4.2 Litre Gas	4 Dr 4x4, 4x2	4 Spd Auto	
	N.A.	5.3 Litre Gas	4 Dr 4x4, 4x2	4 Spd Auto	
2006-07					
Ascender	N.A.	4.2 Litre Gas	4 Dr 4x4, 4x2	4 Spd Auto	
	N.A.	5.3 Litre Gas	4 Dr 4x4, 4x2	4 Spd Auto	
i-280	N.A.	2.8 Litre Gas	4 Dr 4x2	5 Spd Std, 4 Spd Auto	
i-290	N.A.	2.9 Litre Gas	4 Dr 4x2	5 Spd Std, 4 Spd Auto	
i-350	N.A.	3.5 Litre Gas	4 Dr 4x4	4 Spd Auto	
i-370	N.A.	3.7 Litre Gas	4 Dr 4x4	4 Spd Auto	

IDENTIFICATION

ENGINE IDENTIFICATION NUMBER LOCATION

Diesel - On left rear corner of engine block.
Gas - On top right front corner of engine block.

ENGINE IDENTIFICATION CODE

CODE	ENGINE	TYPE
C223	2.2L (2200cc)	Diesel
CPC	3.1L (3100cc)	Gas
G180Z	1.8L (1800cc)	Gas
G200Z	2.0L (2000cc)	Gas
ISZ	3.2L (3200cc)	Gas
LF6	4.3L (4300cc)	Gas
LH6	5.3L (5300cc)	Gas
LL8	4.2L (4200 cc)	Gas
LLR	3.7L (3700 cc)	Gas
LLV	2.9L (2900 cc)	Gas
LK5	2.8L (2800cc)	Gas
LM7	5.3L (5300 cc)	Gas
LN2	2.2L (2200cc)	Gas
L52	3.5L (3500cc)	Gas
RJ1	2.2L (2200cc)	Gas
RJ2	2.3L (2300cc)	Gas
X22SE	2.2L (2200cc)	Gas
4FB1	1.8L (1800cc)	Diesel
4XC1	1.5L (1500cc)	Gas
4XE1	1.6L (1600cc)	Gas-Turbo
4XF1	1.8L (1800cc)	Gas
4ZC1	2.0L (2000cc)	Gas-Turbo
4ZD1	2.3L (2300cc)	Gas
4ZE1	2.6L (2600cc)	Gas
6VD1	3.2L (3200cc)	Gas
6VE1	3.5L (3500cc)	Gas

IDENTIFICATION

JAGUAR

IDENTIFICATION NUMBER OR PLATE LOCATION

- “E” TYPE** – Chassis number is stamped on the inclined face of the bulkhead in the engine compartment adjacent to the heater.
- “S” TYPE** – The VIN number is stamped on a metal plate and fastened to the instrument panel. It is positioned close on the left-hand side of the vehicle and is visible from the outside. It is also located on the vehicle certification label.
- “X” TYPE** – The VIN number is stamped on a metal plate and fastened to the instrument panel. It is positioned close on the left-hand side of the vehicle and is visible from the outside. The vehicle identification number is also located on a vehicle certification label or vin plate which is mounted on the bottom of the ‘B’ Post.
- XK Series** – The VIN number is displayed on a label located on the left-hand door post above the striker plate. For certain markets, the VIN appears on the bar code label referred to as the Certification Label and additionally carries the month and year of manufacture, vehicle weight data and paint and trim codes. The VIN is also displayed on the plate visible through the windshield.
- XJ6, XJ12, XJR** – Chassis number is stamped on the right-hand cross member above the hydraulic damper mounting.
- XJ Series** – The VIN number is stamped on a metal plate and fastened to the instrument panel. It is positioned close on the left-hand side of the vehicle and is visible from the outside. It is also located on the vehicle certification label.
- XJRS** – N.A.
- XJS** – Chassis number is stamped on the fender inner panel in the engine compartment.
- NOTE:** Suffix “DN” added to the chassis number indicates that an overdrive unit is fitted.

IDENTIFICATION

MODEL REFERENCE			
YEAR & MODEL	DISPLACEMENT	BODY TYPE	CHASSIS/V.I.N.
1973			
E Series III	12 Cyl-5.3 Litre	Conv (Open Car) Cpe (2+2)	1S20001 & Up 1S70001 & Up
XJ6 Series I	6 Cyl-4.2 Litre	4 Dr Sed	1L50001 & Up
XJ12 Series I	12 Cyl-5.3 Litre	4 Dr Sed	1P50153 & Up
1974			
E Series III	12 Cyl-5.3 Litre	Conv (Open Car)	1S20001 & Up
XJ6 Series II	6 Cyl-4.2 Litre	4 Dr Sed-SWB 4 Dr Sed-LWB	2N50001 & Up 2T50001 & Up
XJ12 Series II	12 Cyl-5.3 Litre	4 Dr Sed	2R50001 & Up
1975			
XJ6 Series II	6 Cyl-4.2 Litre	2 Dr Cpe 4 Dr Sed	2J50001 & Up 2T50001 & Up
XJ12 Series II	12 Cyl-5.3 Litre	2 Dr Cpe 4 Dr Sed	2G50001 & Up 2G50001 & Up 2R50001 & Up 2R50001 & Up
1976			
XJS	12 Cyl-5.3 Litre	2 Dr Cpe	2W50001 & Up
XJ6 Series II	6 Cyl-4.2 Litre	2 Dr Cpe 4 Dr Sed	2J50001 & Up 2T50001 & Up
XJ12 Series II	12 Cyl-5.3 Litre	2 Dr Cpe 4 Dr Sed	2G50001 & Up 2G50001 & Up 2R50001 & Up 2R50001 & Up
1977			
XJS	12 Cyl-5.3 Litre	2 Dr Cpe	2W50001 & Up
XJ6 Series II	6 Cyl-4.2 Litre	2 Dr Cpe 4 Dr Sed	2J50001 & Up 2T50001 & Up
XJ12 Series II	12 Cyl-5.3 Litre	4 Dr Sed	2R50001 & Up 2R50001 & Up
1978			
XJS	12 Cyl-5.3 Litre	2 Dr Cpe	2W50001 & Up
XJ6 Series II	6 Cyl-4.2 Litre	4 Dr Sed	2T50001 & Up
XJ12 Series II	12 Cyl-5.3 Litre	4 Dr Sed	2R50001 & Up 2R50001 & Up
1979			
XJS	12 Cyl-5.3 Litre	2 Dr Cpe	JNVEX49C100234 & Up
XJ6 Series II	6 Cyl-4.2 Litre	4 Dr Sed	JAVLN49C100749- 310675 & Up
XJ12 Series II w/Calif E.C.S. w/o Calif E.C.S.	12 Cyl-5.3 Litre	4 Dr Sed 4 Dr Sed	JBVLX49C100770 & Up JBVLV49C100770 & Up
1980			
XJS	12 Cyl-5.3 Litre	2 Dr Cpe	JNVEX4AC104236 & Up
XJ6 Series III	6 Cyl-4.2 Litre	4 Dr Sed	JAVLN4AC310676 & Up
1981			
XJ6 Series III	6 Cyl-4.2 Litre	4 Dr Sed	SAJAV134BC320092 & Up
1982			
XJS	12 Cyl-5.3 Litre	2 Dr Cpe	SAJNV584CC105338 & Up
XJ6 Series III	6 Cyl-4.2 Litre	4 Dr Sed	SAJAV134CC330273 & Up
Vanden Plas	6 Cyl-4.2 Litre	4 Dr Sed	SAJAY134CC330273 & Up
1983			
XJS	12 Cyl-5.3 Litre	2 Dr Cpe	SAJNV584DC107988 & Up
XJ6 Series III	6 Cyl-4.2 Litre	4 Dr Sed	SAJAV134DC346688 & Up
Vanden Plas	6 Cyl-4.2 Litre	4 Dr Sed	SAJAY134DC346688 & Up
1984			
XJS	12 Cyl-5.3 Litre	2 Dr Cpe	SAJNV584EC112232 & Up
XJ6 Series III	6 Cyl-4.2 Litre	4 Dr Sed	SAJAV134EC366290 & Up
Vanden Plas	6 Cyl-4.2 Litre	4 Dr Sed	SAJAY134EC366290 & Up
1985			
XJS	12 Cyl-5.3 Litre	2 Dr Cpe	SAJNV584FC117339 & Up
XJ6 Series III	6 Cyl-4.2 Litre	4 Dr Sed	SAJAV134FC389879 & Up
Vanden Plas	6 Cyl-4.2 Litre	4 Dr Sed	SAJAY134FC389879 & Up

IDENTIFICATION

MODEL REFERENCE (Cont.)

YEAR & MODEL	DISPLACEMENT	BODY TYPE	CHASSIS/V.I.N.
1986			
XJS	12 Cyl-5.3 Litre	2 Dr Cpe	SAJNV584GC125020 & Up
XJ6			
Series III	6 Cyl-4.2 Litre	4 Dr Sed	SAJAV134GC431604 & Up
Vanden Plas	6 Cyl-4.2 Litre	4 Dr Sed	SAJAY134GC431604 & Up
1987			
XJS	12 Cyl-5.3 Litre	2 Dr Cpe	
		w/Active Restraint	SAJNV584HC134286 & Up
		w/Passive Restraint	SAJNA584HC134286 & Up
XJSC	12 Cyl-5.3 Litre	2 Dr Conv	
		w/Active Restraint	SAJNV584JC134286 & Up
		w/Passive Restraint	SAJNA384HC134286 & Up
XJ6			
Series III	6 Cyl-4.2 Litre	4 Dr Sed	SAJAV134HC461709 & Up
Vanden Plas	6 Cyl-4.2 Litre	4 Dr Sed	SAJAY134HC461709 & Up
1988			
XJS	12 Cyl-5.3 Litre	2 Dr Cpe	
		w/Active Restraint	SAJNV584JC139052 & Up
		w/Passive Restraint	SAJNA584JC139052 & Up
XJSC	12 Cyl-5.3 Litre	2 Dr Conv	
		w/Active Restraint	SAJNV384JC139052 & Up
		w/Passive Restraint	SAJNA384JC139052 & Up
XJ6 Vanden Plas	6 Cyl-3.6 Litre	4 Dr Sed	SAJAY134JC500001 & Up
1989			
XJS	12 Cyl-5.3 Litre	2 Dr Cpe	SAJNY584KC148782 & Up
XJS-Conv	12 Cyl-5.3 Litre	2 Dr Conv	SAJNV484KC150852 & Up
XJ6 Vanden Plas	6 Cyl-3.6 Litre	4 Dr Sed	SAJKY154K553357 & Up
1990-91			
XJS	12 Cyl-5.3 Litre	2 Dr Cpe	SAJNW584LC165791 & Up
XJS-Conv	12 Cyl-5.3 Litre	2 Dr Conv	SAJNW484LC165791 & Up
XJ6	6 Cyl-4.0 Litre	4 Dr Sed	SAJFY174LC594576 & Up
1992			
XJS	12 Cyl-5.3 Litre	2 Dr Cpe	SAJNW584NC179737 & Up
XJS-Conv	12 Cyl-5.3 Litre	2 Dr Conv	SAJNW484NC179737 & Up
XJ6	6 Cyl-4.0 Litre	4 Dr Sed	SAJFY174NC649175 & Up
XJ6 Majestic	6 Cyl-4.0 Litre	4 Dr Sed	SAJMY174NC649175 & Up
XJ6 Sovereign	6 Cyl-4.0 Litre	4 Dr Sed	SAJHY174NC649175 & Up
XJ6 Vanden Plas	6 Cyl-4.0 Litre	4 Dr Sed	SAJKY174NC649175 & Up
1993			
XJRS	12 Cyl-6.0 Litre	2 Dr	N.A.
XJS	6 Cyl-4.0 Litre	2 Dr Cpe	SAJNW584PC185820 & Up
XJS-Conv	6 Cyl-4.0 Litre	2 Dr Conv	SAJNW484PC185820 & Up
XJ6	6 Cyl-4.0 Litre	4 Dr Sed	SAJHW174PC667829 & Up
XJ6 Vanden Plas	6 Cyl-4.0 Litre	4 Dr Sed	SAJKW174PC667829 & Up
1994			
XJS	6 Cyl-4.0 Litre	2 Dr Cpe	SAJNX574RC
	6 Cyl-4.0 Litre	2 Dr Conv	SAJNX474RC
	12 Cyl-6.0 Litre	2 Dr Cpe	SAJNX534RC
	12 Cyl-6.0 Litre	2 Dr Conv	SAJNX434RC
XJ6	6 Cyl-4.0 Litre	4 Dr Sed	SAJHX174RC
XJ6 Vanden Plas	6 Cyl-4.0 Litre	4 Dr Sed	SAJWX174RC
XJ12	12 Cyl-6.0 Litre	4 Dr Sed	SAJMW174RC
1995			
XJS	6 Cyl-4.0 Litre	2 Dr Cpe	SAJJNWED4
	6 Cyl-4.0 Litre	2 Dr Conv	SAJJNWDD4
	12 Cyl-6.0 Litre	2 Dr Cpe	N.A.
	12 Cyl-6.0 Litre	2 Dr Conv	N.A.
XJ6	6 Cyl-4.0 Litre	4 Dr Sed	SAJFXLD4
XJ12	12 Cyl-6.0 Litre	4 Dr Sed	SAJFXLS4
XJR	6 Cyl-4.0 Litre Supercharged	4 Dr Sed	SAJFXLF4
1996			
XJS	6 Cyl-4.0 Litre	2 Dr Conv	SAJN274TC222632 & Up
XJ6	6 Cyl-4.0 Litre	4 Dr Sed	SAJH174TC754304 & Up
XJ6 Vanden Plas	6 Cyl-4.0 Litre	4 Dr Sed	SAJK674TC754307 & Up
XJ12	12 Cyl-6.0 Litre	4 Dr Sed	SAJM634TC754307 & UP
XJR	6 Cyl-4.0 Litre Supercharged	4 Dr Sed	SAJP114TC754304 & Up
1997			
XJ6	6 Cyl-4.0 Litre	4 Dr Sed	SAJFFALD4VC787954 & Up
XJR	6 Cyl-4.0 Litre Supercharged	4 Dr Sed	SAJJPALF4VC787954 & Up
XK8	8 Cyl-4.0 Litre	2 Dr Coupe	SAJJGXED4VW000001 & Up
XK8	8 Cyl-4.0 Litre	2 Dr Conv	SAJJGXF4VW000001 & Up

IDENTIFICATION

MODEL REFERENCE (Cont.)

YEAR & MODEL	DISPLACEMENT	BODY TYPE	CHASSIS/V.I.N.
1998			
XJ8	8 Cyl-4.0 Litre	4 Dr Sed	SAJJFXND4WD812317 & Up
XJR	8 Cyl-4.0 Litre Supercharged	4 Dr Sed	SAJJPXNF4WF812317 & Up
XK8	8 Cyl-4.0 Litre	2 Dr Coupe	SAJJGXED4WW000001 & Up
XK8	8 Cyl-4.0 Litre	2 Dr Conv	SAJJGXFD4WW000001 & Up
1999			
XJ8	8 Cyl-4.0 Litre	4 Dr Sed	SAJJFXND4XD853936 & Up
XJR	8 Cyl-4.0 Litre Supercharged	4 Dr Sed	SAJJPXNF4XF853936 & Up
XK8	8 Cyl-4.0 Litre	2 Dr Coupe	SAJJGXED4XW031303 & Up
XK8	8 Cyl-4.0 Litre	2 Dr Conv	SAJJGXFD4XW031303 & Up

YEAR & MODEL	DISPLACEMENT	BODY TYPE	TRANSMISSION
2000-2003			
S-Type	6 Cyl-3.0 Litre	4 Dr Sed	5 Spd Std, 6 Spd Auto
S-Type	8 Cyl-4.0 Litre	4 Dr Sed	6 Spd Auto
X-Type	6 Cyl-2.5 Litre	4 Dr Sed	5 Spd Std, 5 Spd Auto
X-Type	6 Cyl-3.0 Litre	4 Dr Sed	5 Spd Std, 5 Spd Auto
XJ	8 Cyl-4.0 Litre	4 Dr Sed	5 Spd Auto
XJ	8 Cyl-4.0 Litre Supercharged	4 Dr Sed	5 Spd Auto
XJ8	8 Cyl-4.0 Litre	4 Dr Sed	6 Spd Auto
XJR	8 Cyl-4.0 Litre Supercharged	4 Dr Sed	6 Spd Auto
XK8	8 Cyl-4.0 Litre	2 Dr Coupe	6 Spd Auto
XK8	8 Cyl-4.0 Litre	2 Dr Conv & Coupe	6 Spd Auto
XKR	8 Cyl-4.0 Litre Supercharged	2 Dr Conv	6 Spd Auto
XKR	8 Cyl-4.0 Litre Supercharged	2 Dr Coupe	6 Spd Auto
2004			
S-Type	V-6 3.0 Litre	4 Dr Sed	5 Spd Std, 6 Spd Auto
	V-8 4.2 Litre	4 Dr Sed	6 Spd Auto
X-Type	V-6 2.5 Litre	4 Dr Sed	5 Spd Std, 5 Spd Auto
	V-6 3.0 Litre	4 Dr Sed	5 Spd Std, 5 Spd Auto
XJ8	V-8 4.2 Litre	4 Dr Sed	6 Spd Auto
XJR	V-8 4.2 Litre	4 Dr Sed	6 Spd Auto
XK8	V-8 4.2 Litre	2 Dr Conv & Coupe	6 Spd Auto
XKR	V-8 4.2 Litre	2 Dr Coupe	6 Spd Auto
2005			
S-Type	V-6 3.0 Litre	4 Dr Sed	6 Spd Auto
	V-8 4.2 Litre	4 Dr Sed	6 Spd Auto
X-Type	V-6 2.5 Litre	4 Dr Sed	5 Spd Auto, 5 Spd Std
	V-6 3.0 Litre	4 Dr Sed	5 Spd Auto, 5 Spd Std
	V-6 3.0 Litre	4 Dr Wagon	5 Spd Auto
XJ8	V-8 4.2 Litre	4 Dr Sed	6 Spd Auto
XJR	V-8 4.2 Litre	4 Dr Sed	6 Spd Auto
XK8	V-8 4.2 Litre	2 Dr Conv	6 Spd Auto
	V-8 4.2 Litre	2 Dr Coupe	6 Spd Auto
XKR	V-8 4.2 Litre	2 Dr Conv	6 Spd Auto
	V-8 4.2 Litre	2 Dr Coupe	6 Spd Auto
2006-07			
S-Type	V-6 3.0 Litre	4 Dr Sed	6 Spd Auto
	V-8 4.2 Litre	4 Dr Sed	6 Spd Auto
X-Type	V-6 3.0 Litre	4 Dr Sed	5 Spd Auto
	V-6 3.0 Litre	4 Dr Wagon	5 Spd Auto
XJ8	V-8 4.2 Litre	4 Dr Sed	6 Spd Auto
XJR	V-8 4.2 Litre	4 Dr Sed	6 Spd Auto
XK8	V-8 4.2 Litre	2 Dr Conv	6 Spd Auto
	V-8 4.2 Litre	2 Dr Coupe	6 Spd Auto
XKR	V-8 4.2 Litre	2 Dr Conv	6 Spd Auto
	V-8 4.2 Litre	2 Dr Coupe	6 Spd Auto

IDENTIFICATION

ENGINE IDENTIFICATION NUMBER LOCATION

“E” TYPE - Stamped on the crankcase at the rear between the cylinder heads.

“S” Type

3.0L Engine

The engine number is contained on a bar code label on the front cover and is also stamped in the cylinder block casting on the left-hand side of the engine below the engine mounting.

4.2L Engine & 4.2L Supercharged Engine

The serial number is stamped on an engine web on the left-hand side of the cylinder block behind the engine mounting.

XJ6, XJ8, XJ12, XJR - Stamped on the right-hand side of the cylinder block above the oil filter and at the front of the cylinder head casting. The number 8 or 9 following the engine number denotes the compression ratio.

XJRS - N.A.

XJ Series - The engine number is stamped on an engine web on the left-hand side of the cylinder block behind the engine mounting.

XJS - 6 Cyl stamped right side of cylinder block above oil filter and at the front of cylinder head casting.

12 Cyl stamped on the crankcase at the rear between the cylinder heads.

XJSC - Stamped on the fender inner panel in the engine compartment.

XK8 - Stamped on the rear of engine block.

“X” Type - The engine number is stamped on an engine web on the right-hand side of the cylinder block behind the engine mounting.

XK Series - The engine number is stamped on a raised pad on the front of the engine block near the thermostat housing.

TRANSMISSION IDENTIFICATION NUMBER LOCATION

1973-03

Std Trans - Stamped on a shoulder at the left-hand rear corner of the gearbox casing and on the top cover.

NOTE: On XJS models with the letter “N” at the end of the prefix letters indicates that an overdrive unit is fitted.

Auto Trans - Stamped on a plate attached to the unit.

2004-07

“S” Type

Automatic Transmission Number

The serial number of the transmission unit is displayed on a metal label or bar code (where equipped) attached to the transmission casing.

Manual Transmission Number

The serial number of the transmission unit is stamped into the bottom of the clutch housing.

“X” Type

Automatic Transmission Number

The serial number of the automatic transmission unit is displayed on a metal label or bar code (where equipped) attached to the transmission casing.

Manual Transmission Number

The serial number of the manual transmission unit is displayed on a metal label or bar code (where equipped) attached to the transmission casing.

XJ8, XJR

Automatic Transmission Number

The serial number of the transmission unit is displayed on a metal label or bar code (where equipped) attached to the transmission casing.

XK8, XKR

Automatic Transmission Number

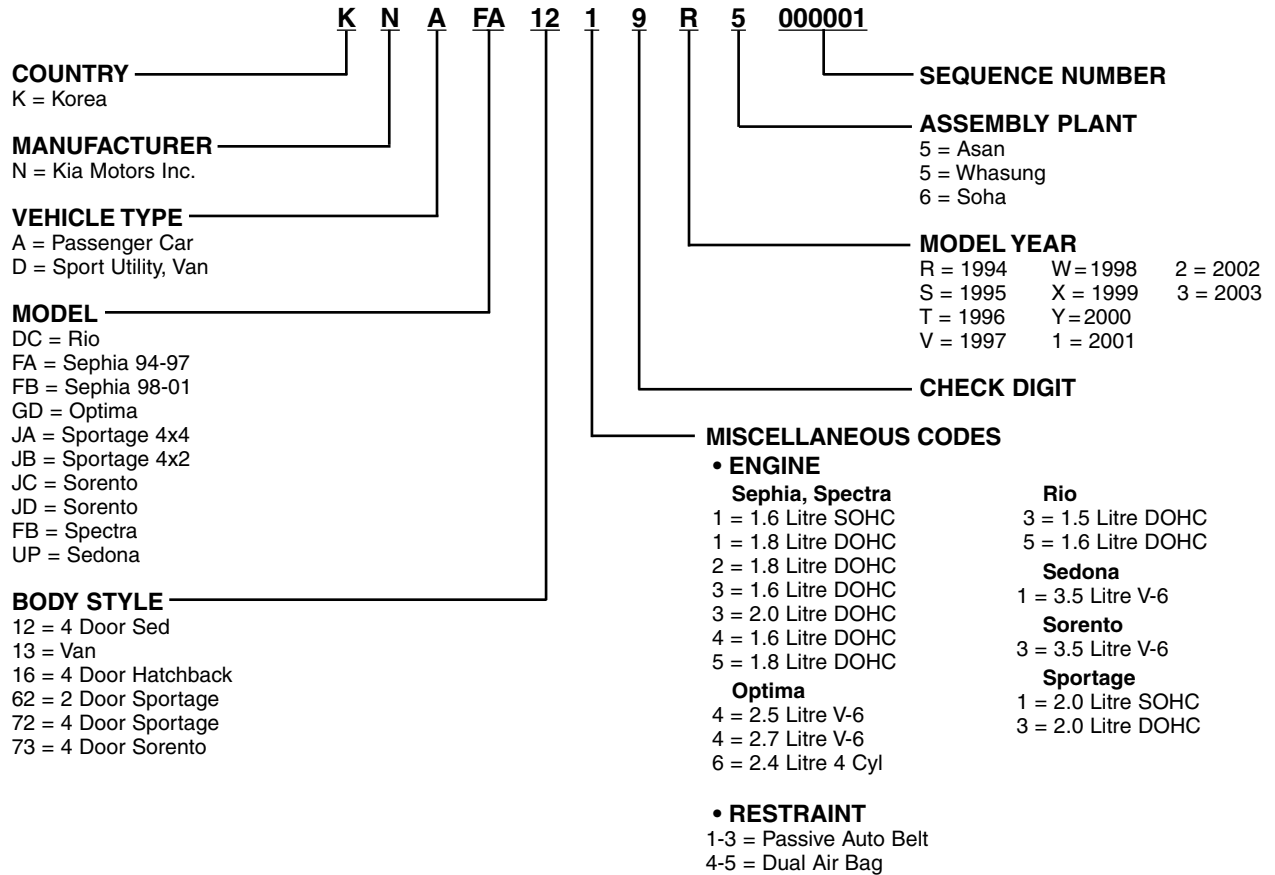
The serial number of the transmission unit is displayed on a metal or bar code label attached to the LH side of the transmission casing.

IDENTIFICATION

IDENTIFICATION NUMBER OR PLATE LOCATION

The Vehicle Identification Number (V.I.N.) is stamped on a metal plate. The plate is attached to the upper left corner of the instrument panel and is visible from outside the vehicle through the windshield. The number can also be found on a plate located on the top ledge of the firewall under the hood.

1994-2003

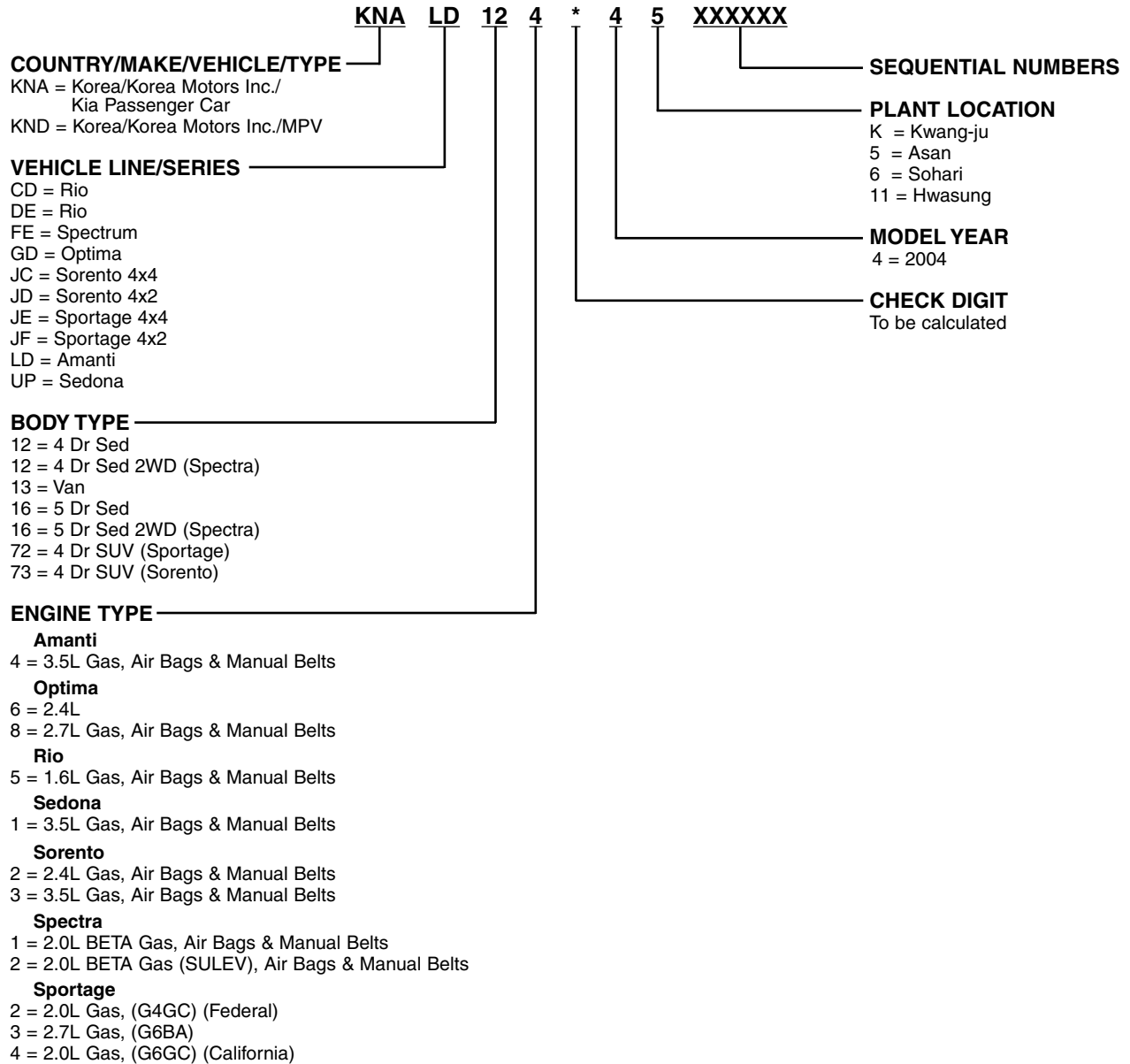


IDENTIFICATION

IDENTIFICATION NUMBER OR PLATE LOCATION

The Vehicle Identification Number (V.I.N.) is stamped on a metal plate. The plate is attached to the upper left corner of the instrument panel and is visible from outside the vehicle through the windshield. The number can also be found on a plate located on the top ledge of the firewall under the hood.

2004

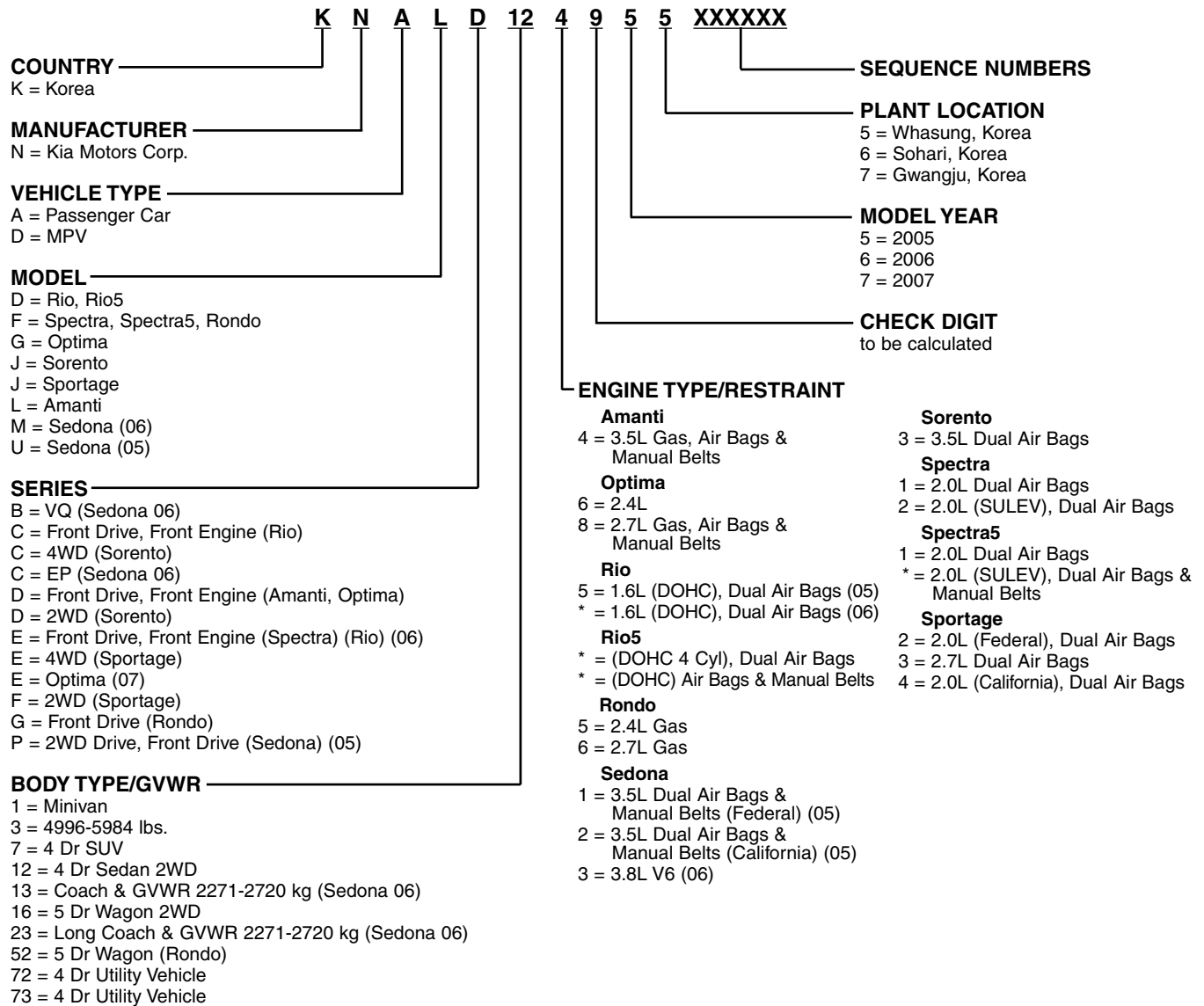


IDENTIFICATION

IDENTIFICATION NUMBER OR PLATE LOCATION

The Vehicle Identification Number (V.I.N.) is stamped on a metal plate. The plate is attached to the upper left corner of the instrument panel and is visible from outside the vehicle through the windshield. The number can also be found on a plate located on the top ledge of the firewall under the hood.

2005-2007



VEHICLE CERTIFICATION LABEL

The Vehicle Certification Label is affixed to the left-hand door jamb. The upper half of the label contains the name of the manufacturer, day, month and year of manufacture, Gross Vehicle Weight Rating (GVWR), Gross Axle Weight Rating (GAWR), and the certification statement. The Vehicle Certification Label also contains the Vehicle Identification Number (VIN). Following the VIN is the vehicle type, exterior paint color, body type, vinyl roof code, moulding color, interior trim color, tape stripe code, radio type, sunroof/moonroof code, transaxle ratio, transaxle type.

IDENTIFICATION

LAND ROVER

LOCATION: The Vehicle Identification Number (VIN) is located on the upper left side of dash panel visible through windshield.

1987-2004

SAL H V 1 2 4 3 L A 449532

WORLD MAKE IDENTIFIER

SAL = Land Rover, U.K.

CAR LINE

H = Range Rover
D = Defender 90
J = Discovery
N = Freelander

SERIES

C = Range Rover - 108" WB
H = Range Rover - 108" WB
Defender - 110" WB
NE = Freelander HSE
NY = Freelander SE
V = Range Rover - 100" WB
Defender - 90" WB
Y = Discovery - 100" WB

BODY TYPE

1 = 4-Door Utility/2 Door Utility
2 = 2 Door/4 Door Utility

ENGINE

1 = 3.5L Fuel Injection
1 = 4.4L SFI
2 = 2.5L V-6 SFI
2 = 3.9L, 4.0L Fuel Injection
3 = 4.2L Fuel Injection
4 = 4.6L Fuel Injection
5 = 4.0L V8 EFI-LEV
6 = 4.6L V8 EFI-LEV
9 = 4.6L V8

SERIAL NUMBER

Sequential Production Number

ASSEMBLY PLANT

A = Solihull, UK

VEHICLE MODEL YEAR

H = 1987 P = 1993 X = 1999
H = 1988 R = 1994 Y = 2000
K = 1989 S = 1995 1 = 2001
L = 1990 T = 1996 2 = 2002
M = 1991 V = 1997 3 = 2003
N = 1992 W = 1998 4 = 2004

VIN CHECK DIGIT

Manufacturer's Internal Code

TRANSMISSION TYPE

2 = 5-Speed Automatic
4 = Automatic LHS
8 = 5 Speed Manual

2005-2006

SAL AD 2 5 4 9 5 A 000646

WORLD MAKE IDENTIFIER

SAL = Land Rover, U.K.

CAR LINE/SERIES/GVWR

AD = LR3 SE, Class F
AF = LR3 HSE, Class F
LM = Range Rover
LS = Range Rover Sport
ME = Range Rover, HSE Class E,
Specification 1
MF = Range Rover, HSE Class E,
Specification 2
MH = Range Rover Westminster,
Class E Ltd Edition
NY = Freelander, SE, Class C

BODY TYPE

A = 4 Door (LR3) 06
A = 4 Door (Range Rover Sport) 06
M = 4 Door (Range Rover) 06
1 = 4 Door (Range Rover) 05
2 = 5 Door (Freelander, LR3) 05

ENGINE

1 = 4.4L V8 (Range Rover)
2 = 2.5L V6 (Freelander)
3 = 4.2L V8 (Range Rover Sport, Range Rover)
4 = 4.0L V6 (LR3)
5 = 4.4L V8 (LR3), (Range Rover Sport)

SERIAL NUMBER

ASSEMBLY PLANT

A = Solihull, UK

VEHICLE MODEL YEAR

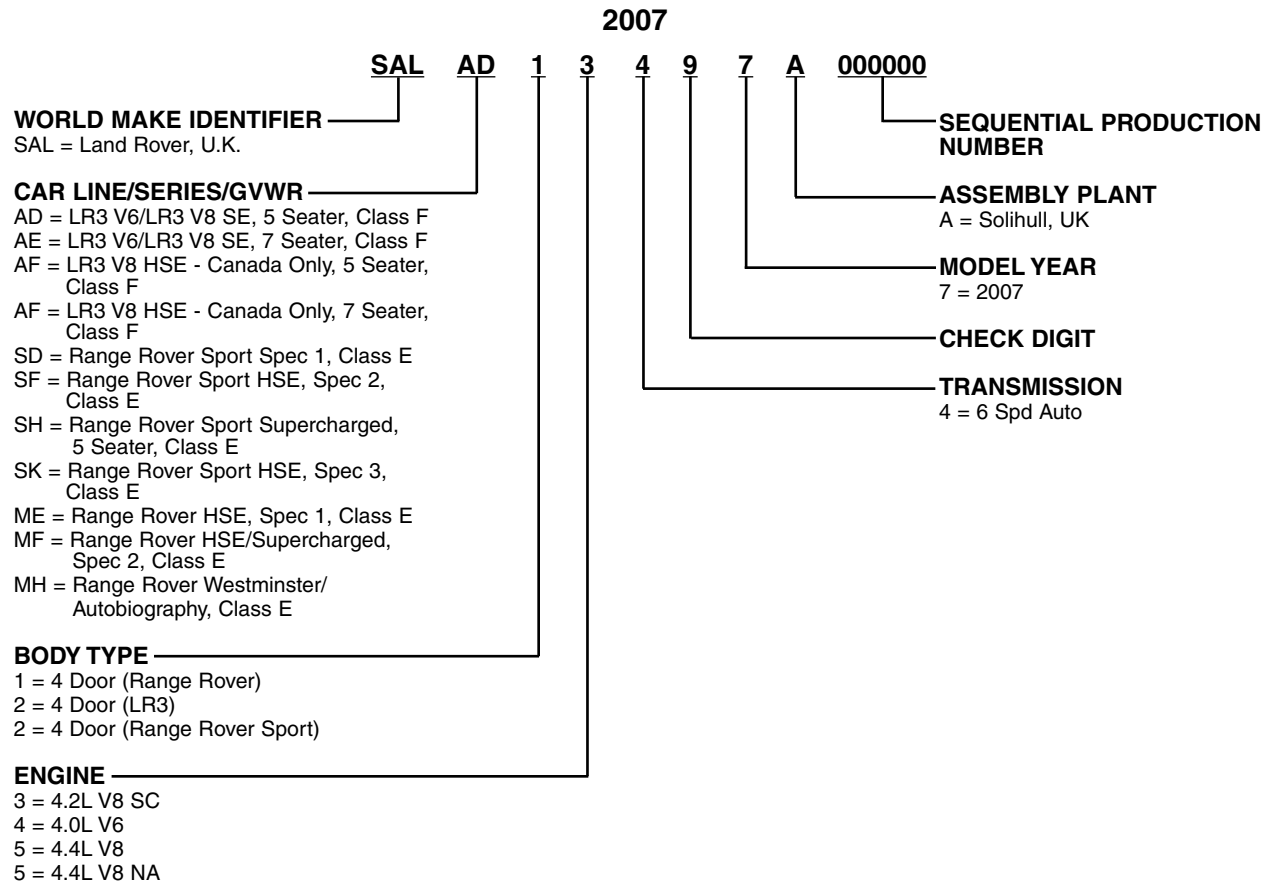
5 = 2005
6 = 2006

VIN CHECK DIGIT

TRANSMISSION

2 = 5 Spd Auto (Freelander)
3 = RHD 6 Spd Auto (LR3, Range Rover,
Range Rover Sport)
4 = 5 Spd Auto (Range Rover)
4 = LHD 6 Spd Auto (LR3, Range Rover,
Range Rover Sport)
4 = 6 Spd Auto (LR3)

LOCATION: The Vehicle Identification Number (VIN) is located on the upper left side of dash panel visible through windshield.



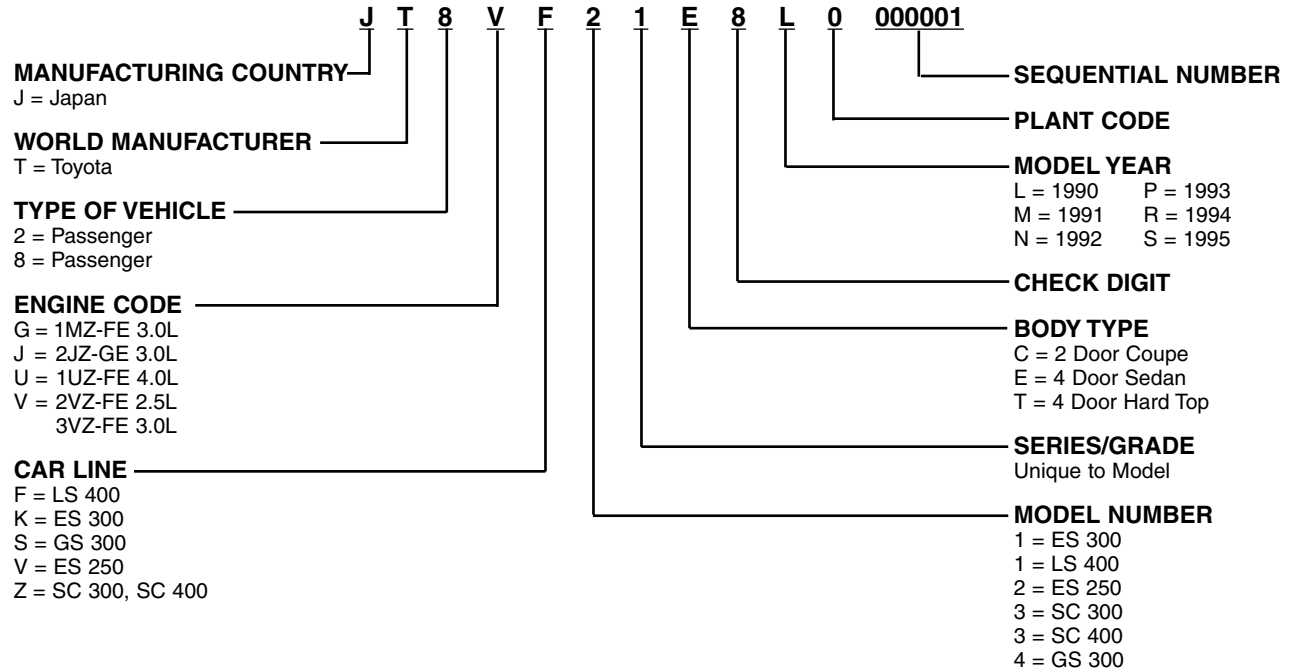
IDENTIFICATION

LEXUS

IDENTIFICATION NUMBER OR PLATE LOCATION

Located on left upper dash panel, visible through windshield.

1990-95

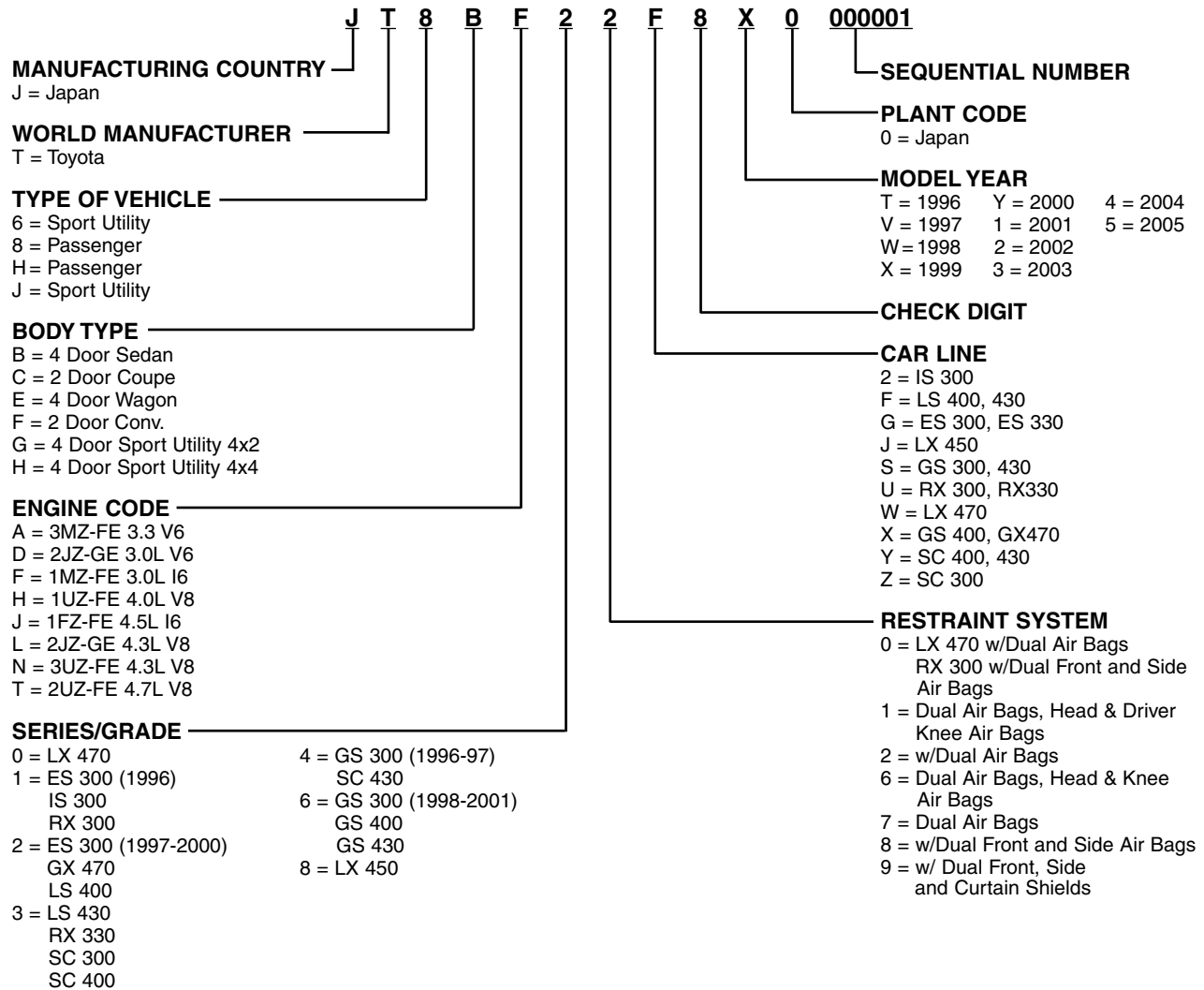


IDENTIFICATION

IDENTIFICATION NUMBER OR PLATE LOCATION

Located on left upper dash panel, visible through windshield.

1996-2005

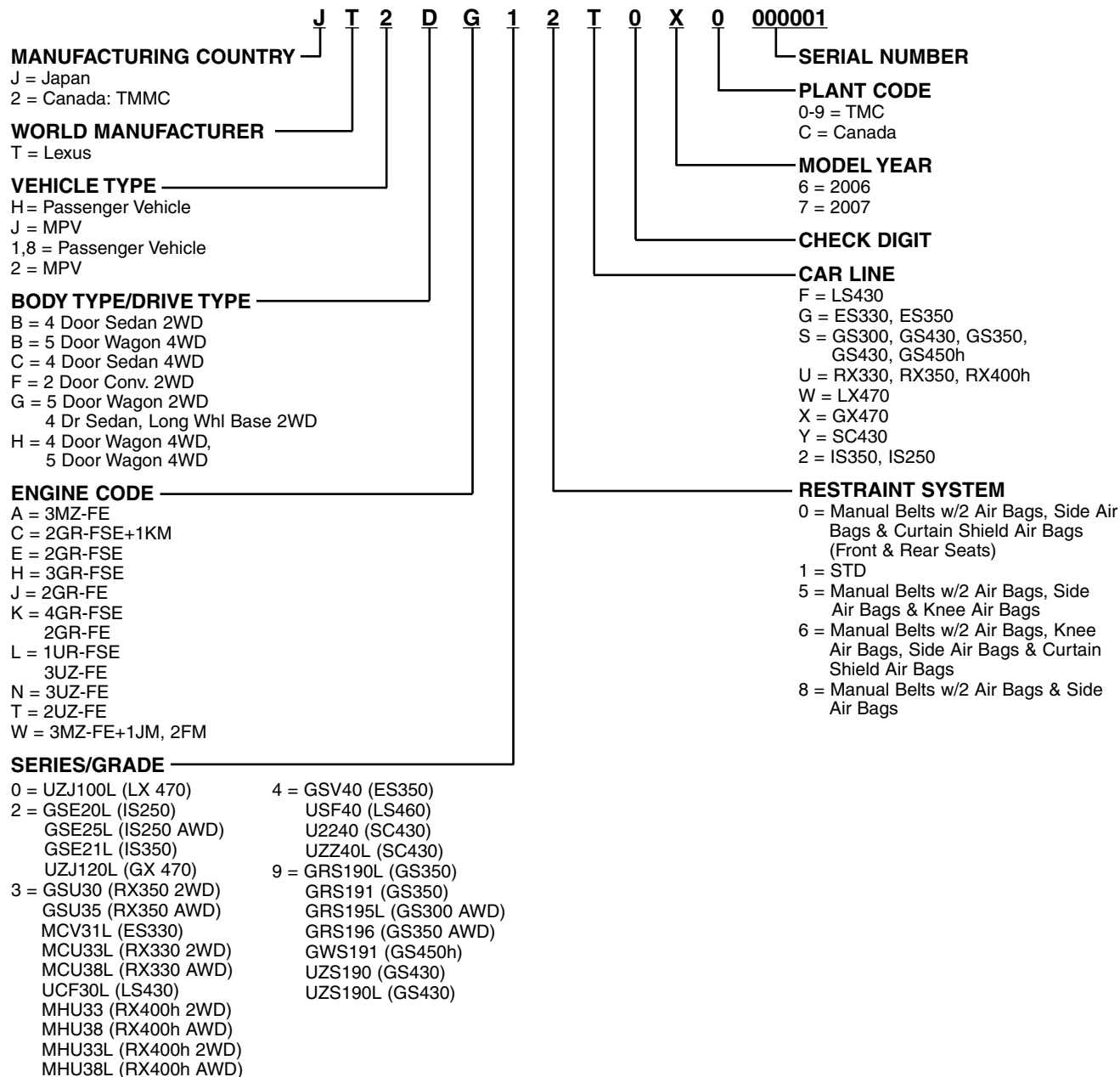


IDENTIFICATION

IDENTIFICATION NUMBER OR PLATE LOCATION

Located on left upper dash panel, visible through windshield.

2006-07



ENGINE IDENTIFICATION NUMBER LOCATION

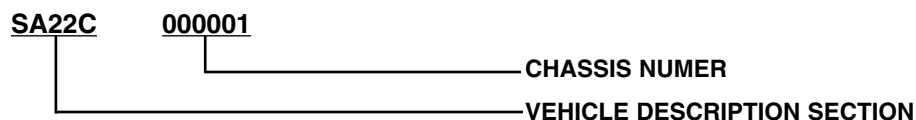
E 350 - Code is on the front left of the engine block.
ES 250 - Code is on the front left side of the engine block.
ES 300 - Code is on the front left side of the engine block.
ES 330 - Code is on the engine block.
ES 350 - Code is on the front left side of the engine block.
GS 300 - Code is on the front left side of the engine block. (96-03)
GS 300 - Code is on the engine block. (04-06)
GS 350 - Code is on the engine block.
GS 400 - Code is on the top, front, center of the engine block.
GS 430 - Code is on the engine block.
GS 450h - Code is on the engine block.
GX 470 - Code is on the center of the cylinder engine block.
IS 250 - Code is on the engine block.
IS 300 - Code is on the engine block.
IS 350 - Code is on the engine block.
LS 400 - Code is on the top, front, center of the engine block.
LS 430 - Code is on the center of the cylinder engine block.
LS 460 - Code is on the engine block.
LS 460L - Code is on the engine block.
LX 450 - Code is on the engine block.
LX 470 - Code is on the top, left center of the engine block. (98-03)
LX 470 - Code is on the engine block. (04-06)
RX 330 - Code is on the center of the cylinder engine block.
RX 350 - Code is on the engine block.
RX 400h - Code is on the engine block.
SC 300 - Code is on the left, lower, center of the engine block.
SC 400 - Code is on the top, front, center of the engine block.
SC 430 - Code is on the center of the cylinder engine block.

IDENTIFICATION

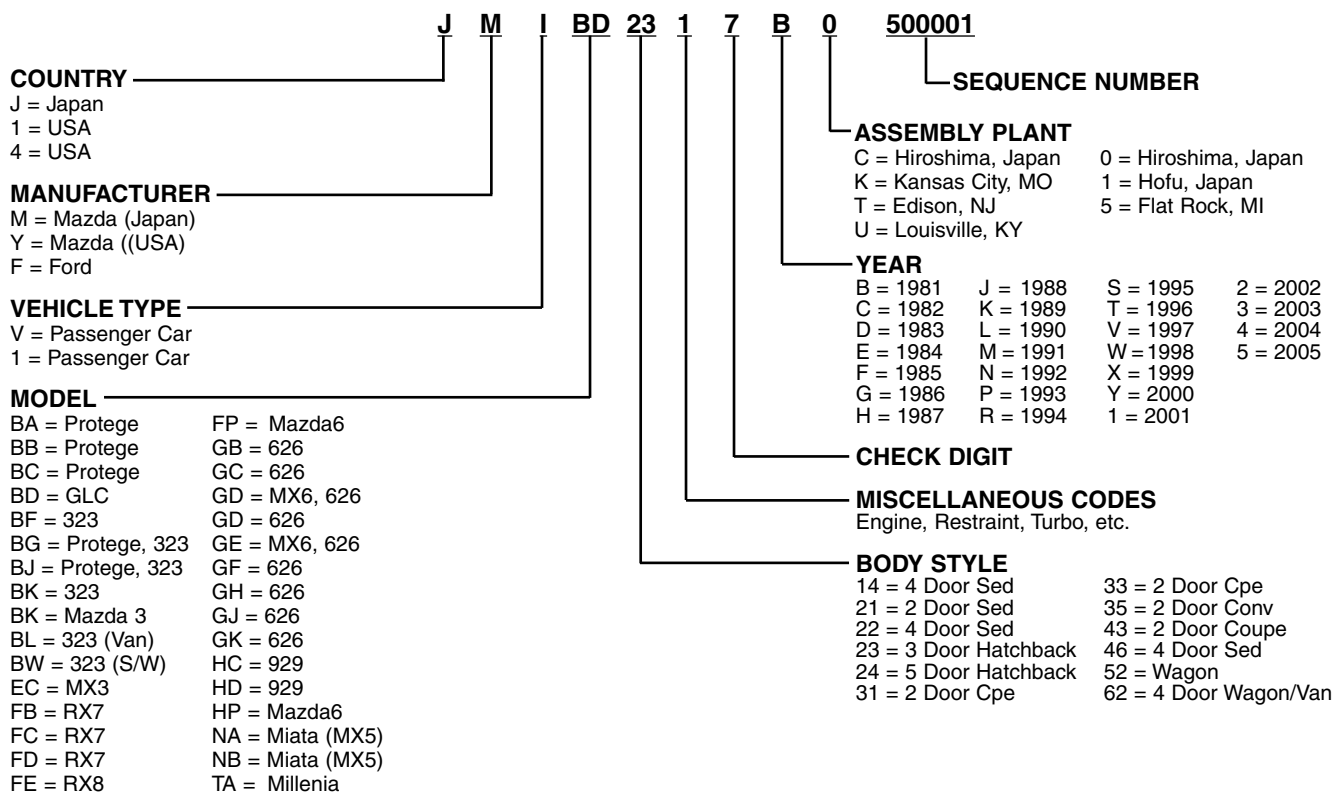
IDENTIFICATION NUMBER OR PLATE LOCATION

The Vehicle Identification Number (VIN) is stamped on a metal plate. The plate is riveted to the upper left corner of the instrument panel and is visible from outside the vehicle through the windshield. On some models the number can also be found on a plate located on the top ledge of the firewall under the hood.

PASSENGER CAR 1979-80

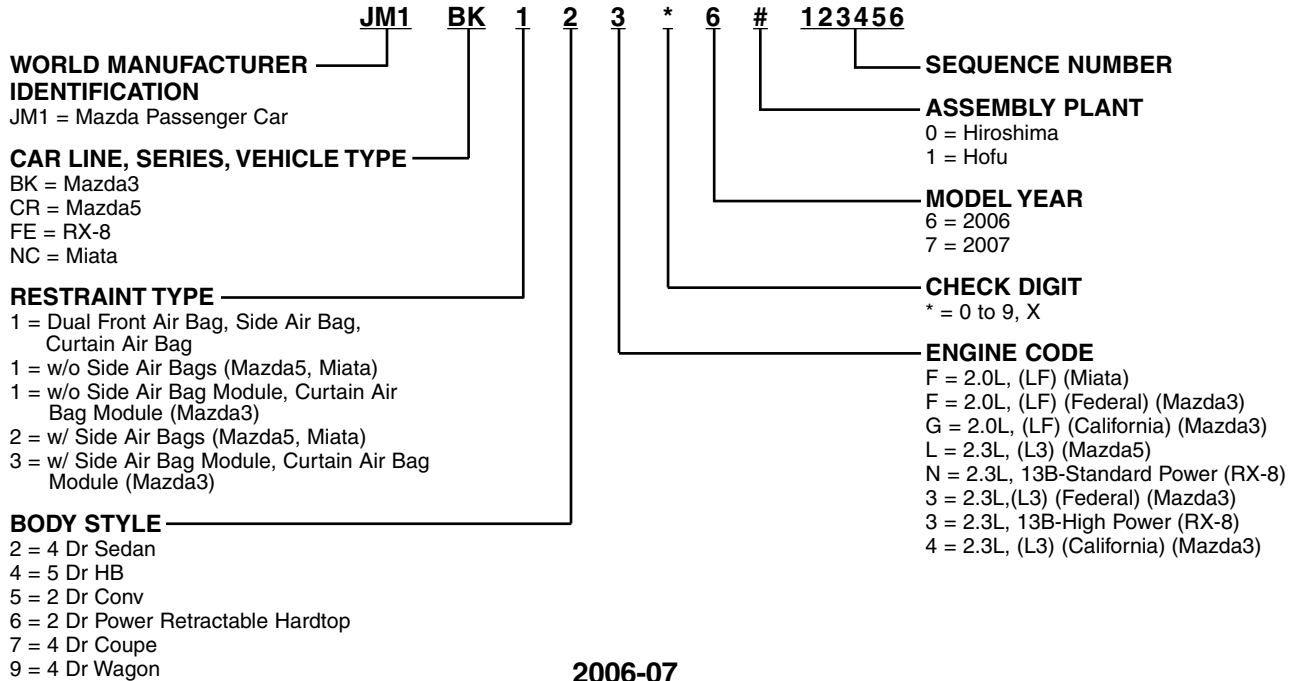


1981-2005

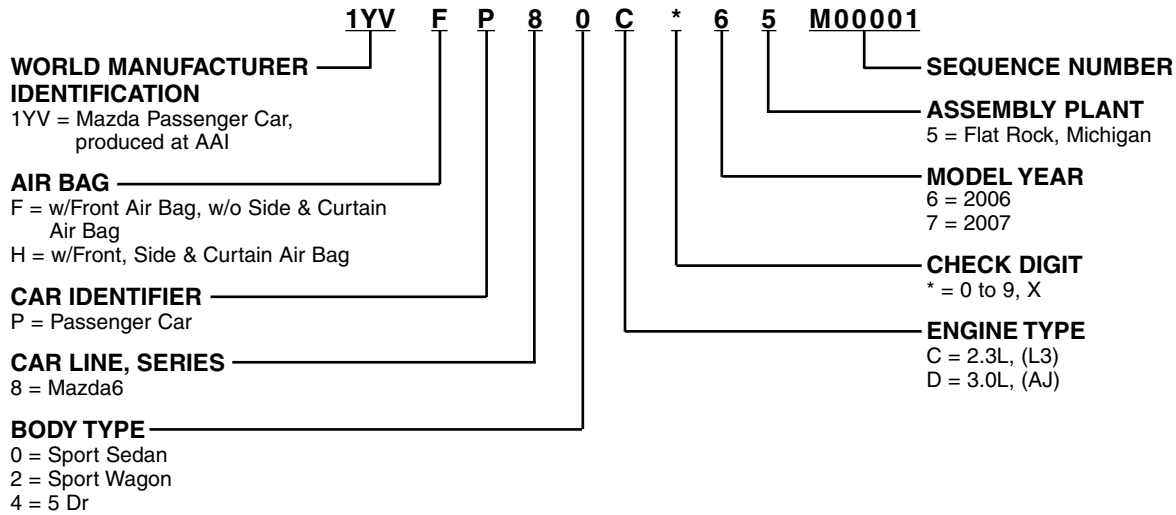


IDENTIFICATION

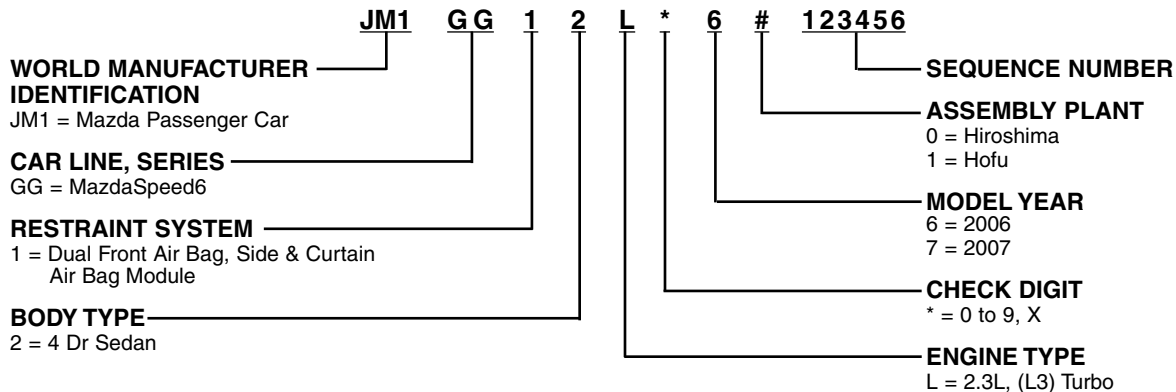
2006-07
Mazda3, Mazda5, RX8, Miata



2006-07
Mazda6

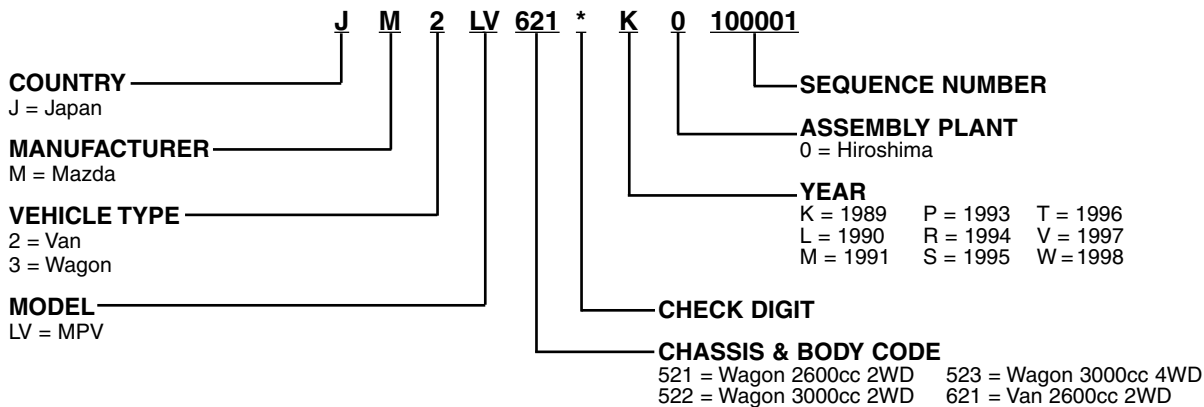


2006-07
MazdaSpeed6

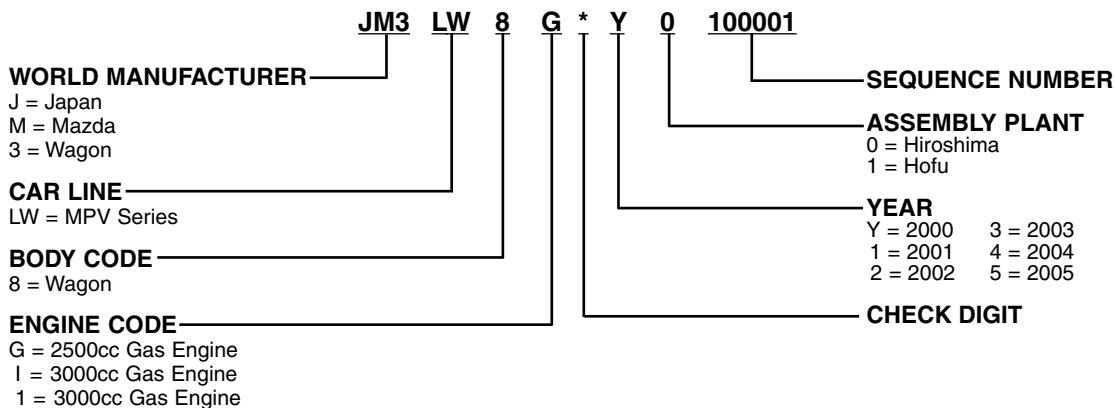


IDENTIFICATION

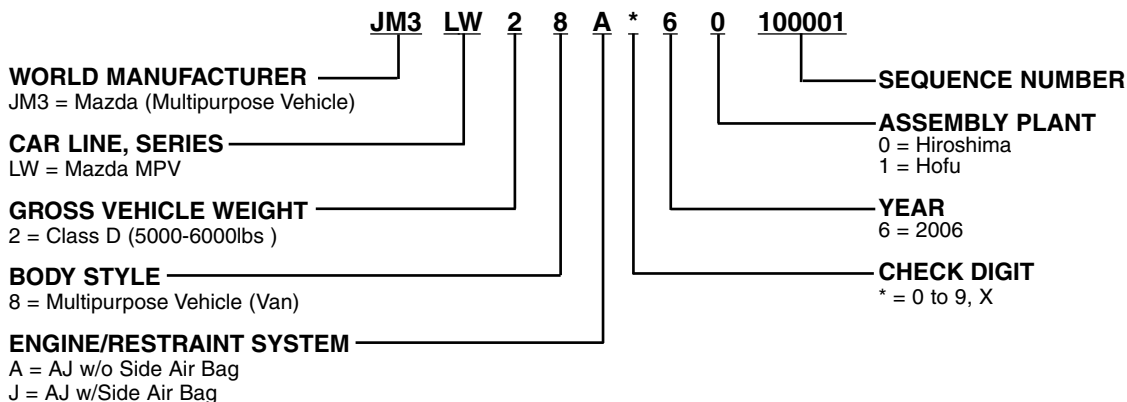
MPV
1989-98



MPV
2001-05

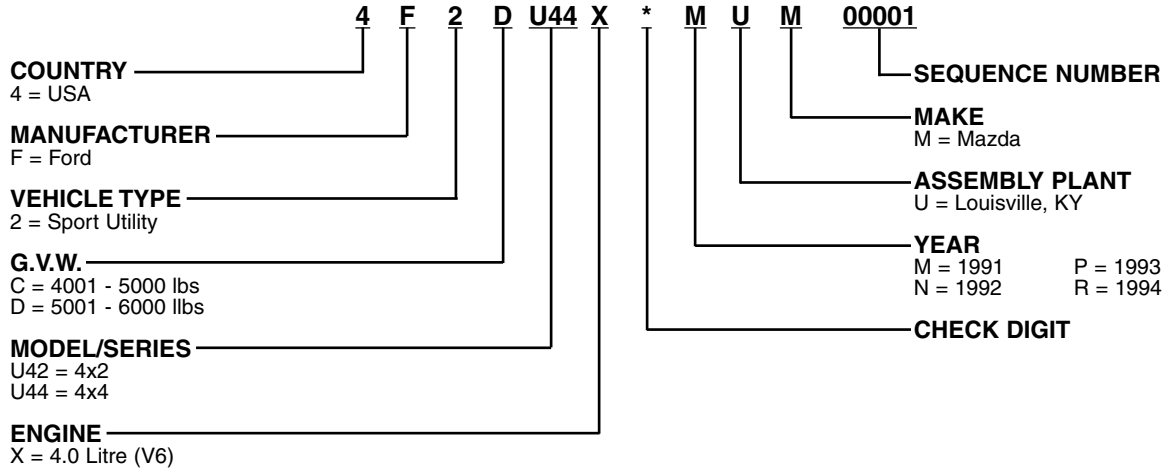


MPV
2006



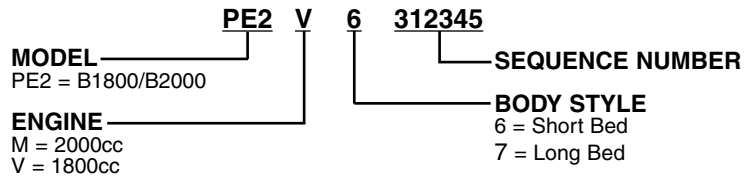
IDENTIFICATION

NAVAJO
1991-94



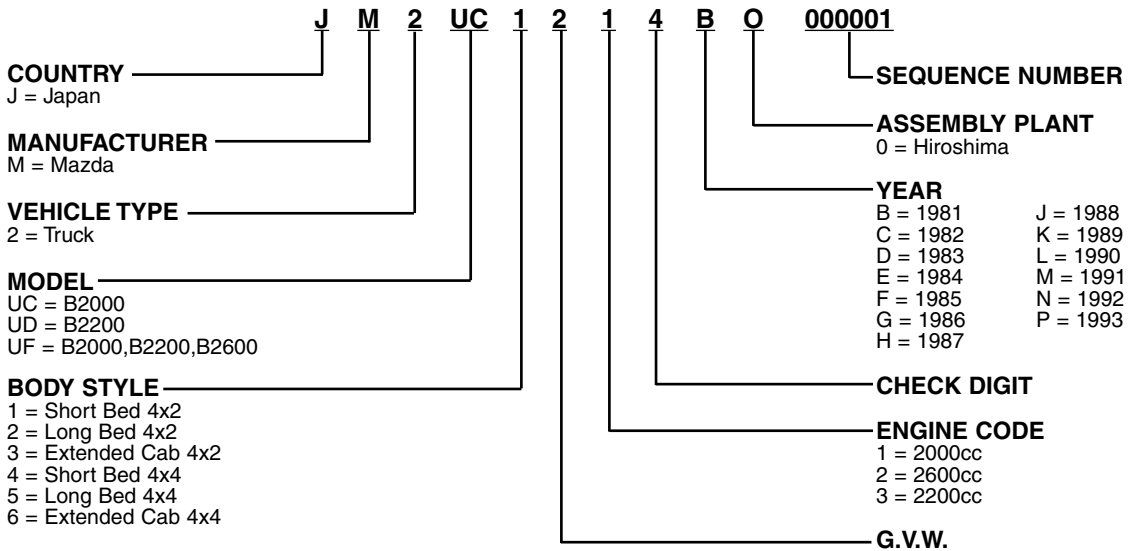
PICKUP
1979-80

B1800, B2000



1981-93

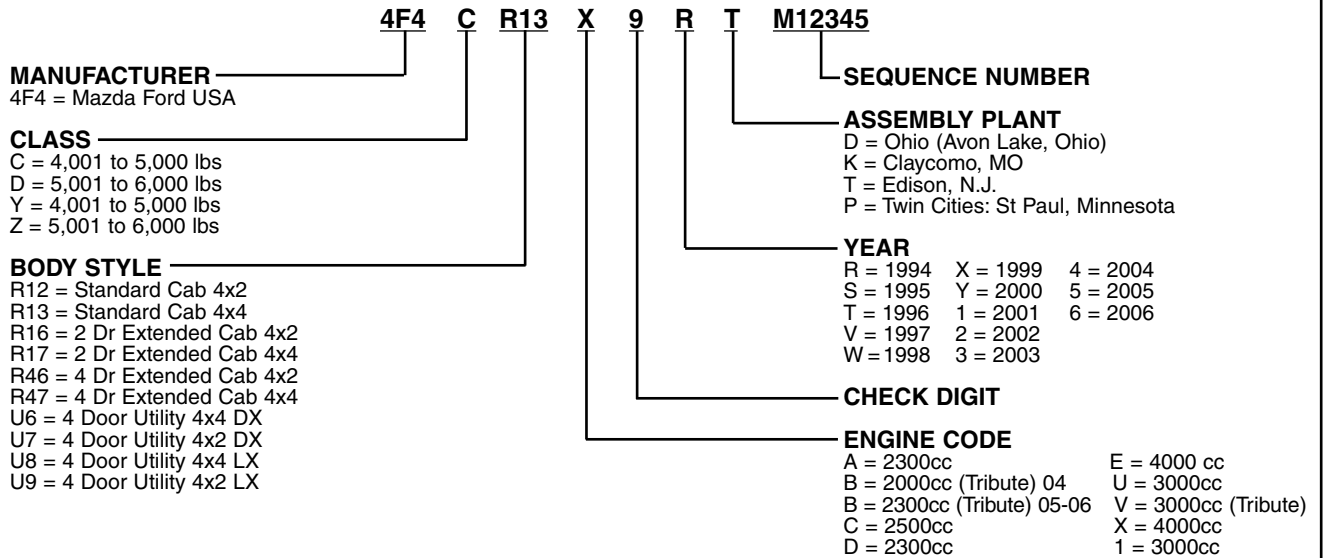
B2000, B2200, B2600



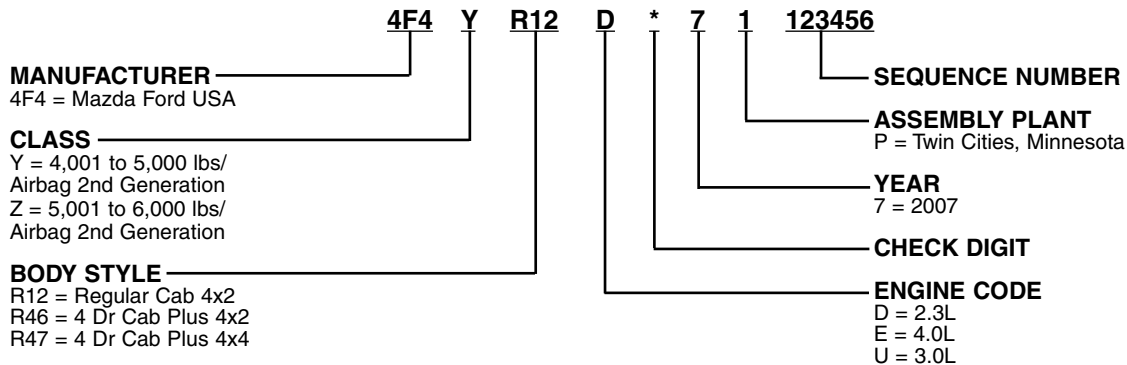
IDENTIFICATION

PICKUP (Cont.)
1994-2006

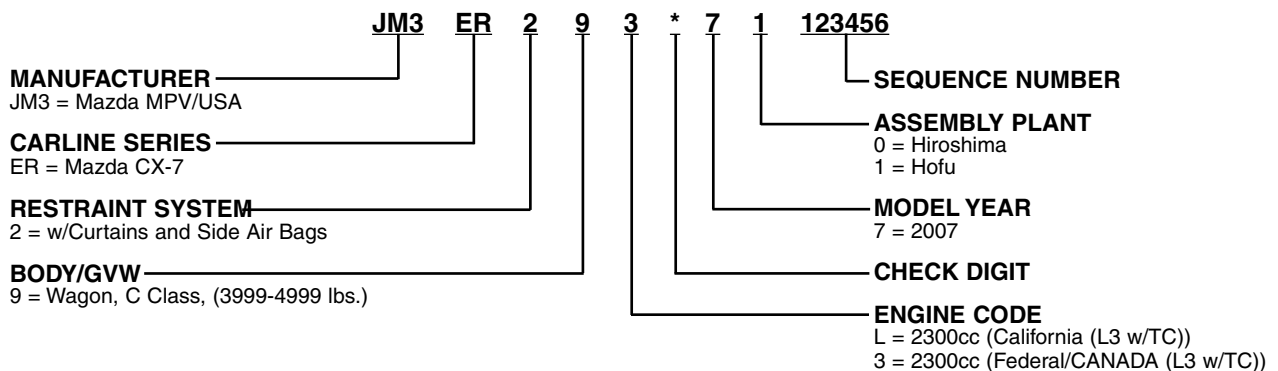
B2300, B2500, B3000, B4000, TRIBUTE



2007
B-SERIES

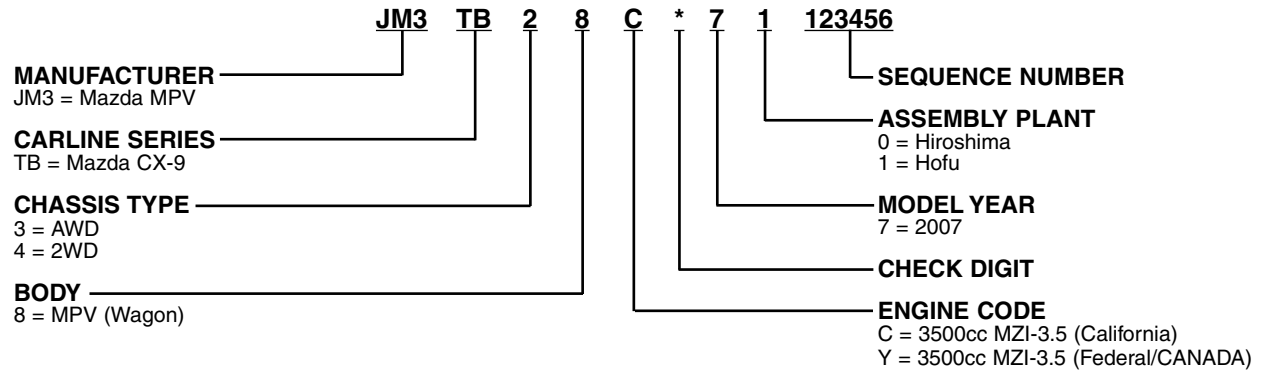


2007
CX-7



IDENTIFICATION

2007
CX-9



IDENTIFICATION

MODEL REFERENCE

YEAR	MODEL	ENGINE	CHASSIS NUMBERS
1979	B2000		
	6 Ft Bed	2000cc (2.0 Litre)	500001-502934
	7 Ft Bed	2000cc (2.0 Litre)	500001-502859
	GLC		
	Sed	1400cc (1.4 Litre)	506056-577103
	S/W	1400cc (1.4 Litre)	501911-530247
	RX7	Rotary	500025-568502
	626	2000cc (2.0 Litre)	500049-549357
1980	B2000		
	6 Ft Bed	2000cc (2.0 Litre)	502935 & Up
	7 Ft Bed	2000cc (2.0 Litre)	502860 & Up
	GLC		
	Sed	1400cc (1.4 Litre)	577104 & Up
	S/W	1400cc (1.4 Litre)	530248 & Up
	RX7	Rotary	568503 & Up
	626	2000cc (2.0 Litre)	549358 & Up
1981	B2000	2000cc (2.0 Litre)	500001 & Up
	GLC		
	Sed	1500cc (1.5 Litre)	500003 & Up
	S/W	1500cc (1.5 Litre)	500001 & Up
	RX7	Rotary	500001 & Up
	626	2000cc (2.0 Litre)	500005 & Up
1982	B2000		
	6 Ft Bed	2000cc (2.0 Litre)	550005 & Up
	7 Ft Bed	2000cc (2.0 Litre)	550017 & Up
	B2200 (Diesel)		
	6 Ft Bed	2200cc (2.2 Litre)	500001 & Up
	7 Ft Bed	2200cc (2.2 Litre)	500017 & Up
	GLC		
	Hatchback	1500cc (1.5 Litre)	600004 & Up
	Sed	1500cc (1.5 Litre)	600004 & Up
	S/W	1500cc (1.5 Litre)	600001 & Up
	RX7	Rotary	600001 & Up
	626	2000cc (2.0 Litre)	600001 & Up
1983	B2000	2000cc (2.0 Litre)	700001 & Up
	B2200 (Diesel)	2200cc (2.2 Litre)	700001 & Up
	GLC		
	Sed	1500cc (1.5 Litre)	700001 & Up
	S/W	1500cc (1.5 Litre)	700001 & Up
	RX7	Rotary	700001 & Up
	626	2000cc (2.0 Litre)	500001 & Up
	626 (Diesel)	2000cc (2.0 Litre)	600001 & Up
1984	B2000	2000cc (2.0 Litre)	800001 & Up
	B2200 (Diesel)	2200cc (2.2 Litre)	800001 & Up
	GLC	1500cc (1.5 Litre)	750001 & Up
	RX7 (Rotary)	1100cc (1.1 Litre)	800001 & Up
		1300cc (1.3 Litre)	800001 & Up
	626 (Diesel)	2000cc (2.0 Litre)	500001 & Up
	626 (Gas)	2000cc (2.0 Litre)	600001 & Up
	GLC	1500cc (1.5 Litre)	800001 & Up
1985		2000cc (2.0 Litre)	600001 & Up
	RX7 (Rotary)	1100cc (1.1 Litre)	850001 & Up
		1300cc (1.3 Litre)	850001 & Up
	626 (Diesel)	2000cc (2.0 Litre)	600001 & Up
	626 (Gas)	2000cc (2.0 Litre)	700001 & Up
		2000cc (2.0 Litre)	500001 & Up
	B2600 (87)	2600cc (2.6 Litre)	100001 & Up
	RX7	1300cc (1.3 Litre)	100001 & Up
1986-87	323	1600cc (1.6 Litre)	100001 & Up
	626 (86)	2000cc (2.0 Litre)	800001 & Up
	626 (87)	2000cc (2.0 Litre)	100001 & Up
	B2200	2200cc (2.2 Litre)	300001 & Up
	B2600	2600cc (2.6 Litre)	300001 & Up
	MX6 (Japan Built)	2200cc (2.2 Litre)	500001 & Up
	MX6 (U.S.A. Built)	2200cc (2.2 Litre)	100001 & Up
	RX7	1300cc (1.3 Litre)	100001 & Up
1988	323	1600cc (1.6 Litre)	100001 & Up
	626	2200cc (2.2 Litre)	500001 & Up
	929	3000cc (3.0 Litre)	100001 & Up

IDENTIFICATION

MODEL REFERENCE

YEAR	MODEL	ENGINE	CHASSIS NUMBERS	
1989	B2200	2200cc (2.2 Litre)	700001 & Up	
	B2600	2600cc (2.6 Litre)	700001 & Up	
	MPV	2600cc (2.6 Litre)	100001 & Up	
		3000cc (3.0 Litre)	100001 & Up	
	MX6 (Japan Built)	2200cc (2.2 Litre)	700001 & Up	
	MX6 (U.S.A. Built)	2200cc (2.2 Litre)	200001 & Up	
	RX7	1300cc (1.3 Litre)	700001 & Up	
	323	1600cc (1.6 Litre)	100001 & Up	
	626	2200cc (2.2 Litre)	700001 & Up	
	929	3000cc (3.0 Litre)	200001 & Up	
	1990	B2200	2200cc (2.2 Litre)	850001 & Up
		B2600	2600cc (2.6 Litre)	850001 & Up
		Miata (MX5)	1600cc (1.6 Litre)	100001 & Up
		MPV	2600cc (2.6 Litre)	100001 & Up
3000cc (3.0 Litre)			100001 & Up	
MX6 (Japan Built)		2200cc (2.2 Litre)	800001 & Up	
MX6 (U.S.A. Built)		2200cc (2.2 Litre)	100001 & Up	
Protege		1800cc (1.8 Litre)	100001 & Up	
RX7		1300cc (1.3 Litre)	700001 & Up	
323		1600cc (1.6 Litre)	100001 & Up	
626 (Japan Built)		2200cc (2.2 Litre)	800001 & Up	
626 (U.S.A. Built)		2200cc (2.2 Litre)	100001 & Up	
929		3000cc (3.0 Litre)	300001 & Up	
1991		B2200	2200cc (2.2 Litre)	100001 & Up
	B2600	2600cc (2.6 Litre)	100001 & Up	
	Miata (MX5)	1600cc (1.6 Litre)	200001 & Up	
	MPV	2600cc (2.6 Litre)	300001 & Up	
		3000cc (3.0 Litre)	300001 & Up	
	MX6 (Japan Built)	2200cc (2.2 Litre)	900001 & Up	
	MX6 (U.S.A. Built)	2200cc (2.2 Litre)	100101 & Up	
	Navajo	4000cc (4.0 Litre)	M00001 & Up	
	Protege	1800cc (1.8 Litre)	100001 & Up	
	RX7	1300cc (1.3 Litre)	900001 & Up	
	323	1600cc (1.6 Litre)	100001 & Up	
	626 (Japan Built)	2200cc (2.2 Litre)	900001 & Up	
	626 (U.S.A. Built)	2200cc (2.2 Litre)	100101 & Up	
	929	3000cc (3.0 Litre)	300001 & Up	
1992	B2200	2200cc (2.2 Litre)	250001 & Up	
	B2600	2600cc (2.6 Litre)	250001 & Up	
	Miata (MX5)	1600cc (1.6 Litre)	200001 & Up	
	MPV	2600cc (2.6 Litre)	400001 & Up	
		3000cc (3.0 Litre)	400001 & Up	
	MX3	1600cc (1.6 Litre)	100001 & Up	
		1800cc (1.8 Litre)	100001 & Up	
	MX6	2200cc (2.2 Litre)	100001 & Up	
	Navajo	4000cc (4.0 Litre)	M00001 & Up	
	Protege	1800cc (1.8 Litre)	400001 & Up	
	323	1600cc (1.6 Litre)	400001 & Up	
	1993	626	2200cc (2.2 Litre)	100001 & Up
		929	3000cc (3.0 Litre)	100001 & Up
		B2200	2200cc (2.2 Litre)	350001 & Up
B2600		2600cc (2.6 Litre)	350001 & Up	
Miata (MX5)		1600cc (1.6 Litre)	400001 & Up	
MPV		2600cc (2.6 Litre)	500001 & Up	
		3000cc (3.0 Litre)	500001 & Up	
MX3		1600cc (1.6 Litre)	200001 & Up	
		1800cc (1.8 Litre)	200001 & Up	
MX6		2000cc (2.0 Litre)	100001 & Up	
		2500cc (2.5 Litre)	100001 & Up	
Navajo		4000cc (4.0 Litre)	N.A.	
Protege		1800cc (1.8 Litre)	550001 & Up	
RX7		1300cc (1.3 Litre)	200001 & Up	
323	1600cc (1.6 Litre)	550001 & Up		
626	2000cc (2.0 Litre)	100001 & Up		
929	2500cc (2.5 Litre)	100001 & Up		
	3000cc (3.0 Litre)	200001 & Up		

IDENTIFICATION

MODEL REFERENCE

YEAR	MODEL	ENGINE	CHASSIS NUMBERS	
1994	B2300	2300cc (2.3 Litre)	N.A.	
	B3000	3000cc (3.0 Litre)	N.A.	
	B4000	4000cc (4.0 Litre)	N.A.	
	Miata (MX5)	1800cc (1.8 Litre)	500001 & Up	
	MPV	2600cc (2.6 Litre)	600001 & Up	
		3000cc (3.0 Litre)	600001 & Up	
	MX3	1600cc (1.6 Litre)	300001 & Up	
		1800cc (1.8 Litre)	300001 & Up	
	MX6	2000cc (2.0 Litre)	100001 & Up	
		2500cc (2.5 Litre)	100001 & Up	
	Navajo	4000cc (4.0 Litre)	N.A.	
	Protege	1800cc (1.8 Litre)	700001 & Up	
	RX7	1300cc (1.3 Litre)	300001 & Up	
	323	1600cc (1.6 Litre)	700001 & Up	
	626	2000cc (2.0 Litre)	100001 & Up	
		2500cc (2.5 Litre)	100001 & Up	
	929	3000cc (3.0 Litre)	300001 & Up	
	1995	B2300	2300cc (2.3 Litre)	N/A
		B3000	3000cc (3.0 Litre)	N/A
B4000		4000cc (4.0 Litre)	N/A	
Miata (MX5)		1800cc (1.8 Litre)	600001 & Up	
Millenia		2300cc (2.3 Litre)	100001 & Up	
		2500cc (2.5 Litre)	100001 & Up	
MPV		3000cc (3.0 Litre)	700001 & Up	
MX3		1600cc (1.6 Litre)	400001 & Up	
MX6		2000cc (2.0 Litre)	300001 & Up	
		2500cc (2.5 Litre)	300001 & Up	
Protege		1500cc (1.5 Litre)	100001 & Up	
		1800cc (1.8 Litre)	100001 & Up	
RX7		1300cc (1.3 Litre)	400001 & Up	
626		2000cc (2.0 Litre)	100001 & Up	
		2500cc (2.5 Litre)	100001 & Up	
929		3000cc (3.0 Litre)	400001 & Up	
1996	B2300	2300cc (2.3 Litre)	N/A	
	B3000	3000cc (3.0 Litre)	N/A	
	B4000	4000cc (4.0 Litre)	N/A	
	Miata (MX5)	1800cc (1.8 Litre)	700001 & Up	
	Millenia	2300cc (2.3 Litre)	200001 & Up	
		2500cc (2.5 Litre)	200001 & Up	
	MPV	3000cc (3.0 Litre)	800001 & Up	
	MX6,626	2000cc (2.0 Litre)	500001 & Up	
		2500cc (2.5 Litre)	500001 & Up	
	Protege	1500cc (1.5 Litre)	300001 & Up	
		1800cc (1.8 Litre)	300001 & Up	
	1997	B2300	2300cc (2.3 Litre)	N/A
		B4000	4000cc (4.0 Litre)	N/A
		Miata (MX5)	1800cc (1.8 Litre)	800001 & Up
Millenia		2300cc (2.3 Litre)	300001 & Up	
		2500cc (2.5 Litre)	300001 & Up	
MPV		3000cc (3.0 Litre)	900001 & Up	
MX6,626		2000cc (2.0 Litre)	N/A	
		2500cc (2.5 Litre)	N/A	
Protege		1500cc (1.5 Litre)	100001 & Up	
		1800cc (1.8 Litre)	100001 & Up	
1998	B2500	2500cc (2.5 Litre)	N/A	
	B3000	3000cc (3.0 Litre)	N/A	
	B4000	4000cc (4.0 Litre)	N/A	
	Millenia	2300cc (2.3 Litre)	400001 & Up	
		2500cc (2.5 Litre)	400001 & Up	
	MPV	3000cc (3.0 Litre)	816062 & Up	
	Protege	1500cc (1.5 Litre)	100001 & Up	
		1800cc (1.8 Litre)	100001 & Up	
626	2000cc (2.0 Litre)	687001 & Up		
	2500cc (2.5 Litre)	687001 & Up		

IDENTIFICATION

MODEL REFERENCE				
YEAR	MODEL	ENGINE	TRANSMISSION	
1999	B2500	2500cc (2.5 Litre)	N/A	
	B3000	3000cc (3.0 Litre)	N/A	
	B4000	4000cc (4.0 Litre)	N/A	
	Millenia	2300cc (2.3 Litre)	500001 & Up	
		2500cc (2.5 Litre)	500001 & Up	
	Miata (MX5)	1800cc (1.8 Litre)	100001 & Up	
	Protege	1600cc (1.6 Litre)	100001 & Up	
		1800cc (1.8 Litre)	100001 & Up	
	626	2000cc (2.0 Litre)	687001 & Up	
		2500cc (2.5 Litre)	687001 & Up	
	2000-2003	B2500	2500cc (2.5 Litre)	N/A
B3000		3000cc (3.0 Litre)	N/A	
B4000		4000cc (4.0 Litre)	N/A	
Mazda6		2300cc (2.3 Litre)	N/A	
Mazda6		3000cc (3.0 Litre)	N/A	
Millenia		2300cc (2.3 Litre)	500001 & Up	
		2500cc (2.5 Litre)	500001 & Up	
Miata (MX5)		1800cc (1.8 Litre)	100001 & Up	
Protege		1600cc (1.6 Litre)	100001 & Up	
		1800cc (1.8 Litre)	100001 & Up	
		2000cc (2.0 Litre)	N/A	
Protege5		2000cc (2.0 Litre)	N/A	
626		2000cc (2.0 Litre)	687001 & Up	
		2500cc (2.5 Litre)	687001 & Up	
		B2300	2300cc (2.3 Litre)	N/A
		Tribute	2000cc (2.0 Litre)	N/A
		3000cc (3.0 Litre)	N/A	
2004	Mazda3	2.0 Litre Inline 4	4 Spd Auto, 5 Spd Std	
		2.3 Litre Inline 4	4 Spd Auto, 5 Spd Std	
	Mazda6	2.3 Litre Inline 4	4 Spd Auto, 5 Spd Std	
		3.0 Litre V-6	4 Spd Auto, 5 Spd Std	
	B2300	2.3 Litre Inline 4	4 Spd Auto, 5 Spd Std	
	B3000	3.0 Litre V-6	4 Spd Auto, 5 Spd Std	
	B4000	4.0 Litre V-6	4 Spd Auto, 5 Spd Std	
	MPV	3.0 Litre V-6	5 Spd Auto	
	Miata (MX5)	1.8 Litre Inline 4	4 Spd Auto, 5 Spd Std, 6 Spd Std	
	RX-8	1.3 Litre Rotary 2	4 Spd Auto, 6 Spd Std	
	Tribute	2.0 Litre Inline 4	5 Spd Std	
		3.0 Litre V-6	4 Spd Auto	
	2005	Mazda3	2.0 Litre Inline 4	4 Spd Auto, 5 Spd Std
		2.3 Litre Inline 4	4 Spd Auto, 5 Spd Std	
Mazda6		2.3 Litre Inline 4	4 Spd Auto, 5 Spd Std	
		3.0 Litre V-6	5 Spd Auto, 6 Spd Std	
B2300		2.3 Litre Inline 4	5 Spd Auto, 5 Spd Std	
B3000		3.0 Litre V-6	5 Spd Auto, 5 Spd Std	
B4000		4.0 Litre V-6	5 Spd Auto, 5 Spd Std	
MPV		3.0 Litre V-6	5 Spd Auto	
Miata (MX5)		1.8 Litre Inline 4	4 Spd Auto, 5 Spd Std, 6 Spd Std	
RX-8		1.3 Litre Rotary 2	4 Spd Auto, 6 Spd Std	
Tribute		2.3 Litre Inline 4	4 Spd Auto, 5 Spd Std	
2006-07	CX-7	2.3 Litre Inline 4	4 Spd Auto	
	CX-9	3.5 Litre V6	6 Spd Auto	
	Mazda3	2.0 Litre Inline 4	4 Spd Auto, 5 Spd Std (06), (07)	
		2.3 Litre Inline 4	4 Spd Auto, 5 Spd Std (06)	
		2.3 Litre Inline 4	4 Spd Auto, 5 Spd Std, 6 Spd Std (07)	
	Mazda5	2.3 Litre Inline 4	4 Spd Auto, 5 Spd Std	
	Mazda6	2.3 Litre Inline 4	5 Spd Auto, 5 Spd Std, 6 Spd Std	
		3.0 Litre V-6	6 Spd Auto, 5 Spd Std	
	B2300	2.3 Litre Inline 4	5 Spd Auto, 5 Spd Std	
	B3000	3.0 Litre V-6	5 Spd Auto, 5 Spd Std	
	B4000	4.0 Litre V-6	5 Spd Auto, 5 Spd Std	
	MPV	3.0 Litre V-6	5 Spd Auto	
	Miata (MX5)	2.0 Litre Inline 4	6 Spd Auto, 5 Spd Std, 6 Spd Std	
	RX-8	1.3 Litre Rotary 2	6 Spd Std	
	Tribute	2.3 Litre Inline 4	4 Spd Auto, 5 Spd Std	
		3.0 Litre V-6	4 Spd Auto	

IDENTIFICATION

MERCEDES

IDENTIFICATION NUMBER OR PLATE LOCATION

1973-76 - Code is located on a tag in front engine compartment.

1977

230 - Code is located on a tag above the instrument panel visible through windshield.

240D,280E,280SE,300D - Code is located on a tag on left front window post visible through windshield and on the rear firewall in the engine compartment.

450SE,450SEL,450SL,450SLC - Code is located on a tag at the left side of the instrument panel visible through the windshield and in the engine compartment to the left of the hood latch.

6.9 - Code is located on a tag at left of the instrument panel visible through the windshield and in the engine compartment on the rear firewall.

1978-80

230 - Code is located on a tag left of the instrument panel visible through the windshield.

240D,300D,300CD,300SD,300TD - Code is located on a tag on the left front window post visible through the windshield and on the rear firewall in the engine compartment.

280CE,280E,280SE - Code is located on a tag above instrument panel visible through the windshield and on the rear firewall of the engine compartment.

450SE,450SEL,450SL,450SLC - Code is located on a tag at the left side of the instrument panel visible through the windshield and in the engine compartment to the left of the hood latch.

6.9 - Code is located on a tag at left of the instrument panel visible through the windshield and in the engine compartment on the rear firewall.

1981-07

Code is located on driver's door pillar visible through lower left hand corner of windshield.

MODEL REFERENCE

YEAR	MODEL	ENGINE	DISPLACEMENT	CHASSIS TYPE
1973	220	Four	2197cc	N.A.
	220D	Four (Diesel)	2197cc	115.110
	280	Six	2746cc	114.060
	280C	Six	2746cc	114.073
	450SE	V8	4520cc	116.032
	450SEL	V8	4520cc	116.033
	450SL	V8	4520cc	107.044
	450SLC	V8	4520cc	107.024
	1974	230/4	Four	2292cc
240D		Four (Diesel)	2399cc	115.117
280		Six	2746cc	114.060
280C		Six	2746cc	114.073
450SE		V8	4520cc	116.032
450SEL		V8	4520cc	116.033
450SL		V8	4520cc	107.044
450SLC		V8	4520cc	107.024
1975		230/4	Four	2292cc
	240D	Four (Diesel)	2399cc	115.117
	280	Six	2746cc	114.060
	280C	Six	2746cc	114.073
	280S	Six	2746cc	116.020
	300D	Five (Diesel)	2998cc	123.130
	450SE	V8	4520cc	116.032
	450SEL	V8	4520cc	116.033
	450SL	V8	4520cc	107.044
	450SLC	V8	4520cc	107.024
1976	230	Four	2292cc	114.015
	230/4	Four	2292cc	115.017
	240D	Four (Diesel)	2399cc	115.117
	280	Six	2746cc	114.060
	280C	Six	2746cc	114.073
	280S	Six	2746cc	116.020
	300D	Five (Diesel)	2998cc	123.130
	450SE	V8	4520cc	116.032
	450SEL	V8	4520cc	116.033
	450SL	V8	4520cc	107.044
	450SLC	V8	4520cc	107.024

IDENTIFICATION

MODEL REFERENCE

YEAR	MODEL	ENGINE	DISPLACEMENT	CHASSIS TYPE	
1977	230	Four	2292cc	114.015	
	240D	Four (Diesel)	2399cc	123.123	
	280E	Six	2746cc	123.033	
	280SE	Six	2746cc	116.024	
	300D	Five (Diesel)	2998cc	123.130	
	450SE	V8	4520cc	116.024	
	450SEL	V8	4520cc	116.033	
	450SL	V8	4520cc	107.044	
	450SLC	V8	4520cc	107.024	
	6.9	V8	6834cc	116.036	
	1978	230	Four	2292cc	114.015
		240D	Four (Diesel)	2399cc	123.123
		280CE	Six	2746cc	123.053
280E		Six	2746cc	123.033	
280SE		Six	2746cc	116.024	
300CD		Five (Diesel)	2998cc	123.150	
300D		Five (Diesel)	2998cc	123.130	
300SD		Five (Diesel)	2998cc	116.120	
450SE		V8	4520cc	116.032	
450SEL		V8	4520cc	116.033	
450SL		V8	4520cc	107.044	
450SLC		V8	4520cc	107.024	
6.9		V8	6834cc	116.036	
1979		240D	Four (Diesel)	2399cc	123.123
		280CE	Six	2746cc	123.053
	280E	Six	2746cc	123.033	
	280SE	Six	2746cc	116.024	
	300CD	Five (Diesel)	2998cc	123.150	
	300D	Five (Diesel)	2998cc	123.130	
	300SD	Five (Diesel)	2998cc	116.120	
	300TD	Five (Diesel)	2998cc	123.190	
	450SE	V8	4520cc	116.032	
	450SEL	V8	4520cc	116.033	
	450SL	V8	4520cc	107.044	
	450SLC	V8	4520cc	107.024	
	6.9	V8	6834cc	116.036	
	1980	240D	Four (Diesel)	2399cc	123.123
		280CE	Six	2746cc	123.053
280E		Six	2746cc	123.033	
280SE		Six	2746cc	116.024	
300CD		Five	2998cc	123.150	
300D		Five	2998cc	123.130	
300SD		Five	2998cc	116.120	
300TD		Five	2998cc	123.190	
450SE		V8	4520cc	116.032	
450SEL		V8	4520cc	116.033	
450SL		V8	4520cc	107.044	
450SLC		V8	4520cc	107.024	
1981		240D	Four (Diesel)	2399cc	123.123
		280CE	Six	2746cc	123.053
		280E	Six	2746cc	123.033
	300CD	Five (Diesel)	2998cc	123.150	
	300D	Five (Diesel)	2998cc	123.130	
	300SD	Five (Diesel)	2998cc	126.120	
	300TD	Five (Diesel)	2998cc	123.190	
	380SEL	V8	3839cc	126.033	
	380SL	V8	3839cc	107.045	
	380SLC	V8	3839cc	107.025	
1982-83	240D	Four (Diesel)	2399cc	123.123	
	300CD	Five (Diesel)	2998cc	123.150	
	300D	Five (Diesel)	2998cc	123.130	
	300SD	Five (Diesel)	2998cc	126.120	
	300TD	Five (Diesel)	2998cc	123.190	
	380SEC	V8	3839cc	126.043	
	380SEL	V8	3839cc	126.033	
	380SL	V8	3839cc	107.045	

IDENTIFICATION

MERCEDES

MODEL REFERENCE

YEAR	MODEL	ENGINE	DISPLACEMENT	CHASSIS TYPE	
1984-85	190D	Four (Diesel)	2197cc	201.122	
	190E	Four	2299cc	201.024	
	300CD	Five (Diesel)	2998cc	123.150	
	300D	Five (Diesel)	2998cc	123.130	
	300SD	Five (Diesel)	2998cc	126.120	
	300TD	Five (Diesel)	2998cc	123.190	
	380SE	V8	3839cc	126.032	
	380SL	V8	3839cc	107.045	
	500SEC	V8	4973cc	126.044	
	500SEL	V8	4973cc	126.037	
	1986	190D	Five (Diesel)	2.5L	201.126
		190E	Four 8 Valve	2.3L	201.024
		190E	Four 16 Valve	2.3L	201.034
		300D	Six (Diesel)	3.0L	124.133
300E		Six	3.0L	124.030	
300SDL		Six (Diesel)	3.0L	126.125	
420SEL		V8	4.2L	126.035	
560SEC		V8	5.6L	126.045	
560SEL		V8	5.6L	126.039	
560SL		V8	5.6L	107.048	
1987		190D	Five (Diesel)	2.5L	201.126
		190D	Five Turbo (Diesel)	2.5L	201.128
		190E	Four 8 Valve	2.3L	201.028
	190E	Four 16 Valve	2.3L	201.034	
	190E	Six	2.6L	201.029	
	260E	Six	2.6L	124.026	
	300D	Six Turbo (Diesel)	3.0L	124.133	
	300E	Six	3.0L	124.030	
	300SDL	Six Turbo (Diesel)	3.0L	126.125	
	300TD	Six Turbo (Diesel)	3.0L	124.193	
	420SEL	V8	4.2L	126.035	
	560SEC	V8	5.6L	126.045	
	560SEL	V8	5.6L	126.039	
	560SL	V8	5.6L	107.048	
	1988-89	190D	Five	2.5L	201.126
		190E (88)	Four	2.3L	201.028
		190E	Six	2.6L	201.029
260E		Six	2.6L	124.026	
300CE		Six	3.0L	124.050	
300E		Six	3.0L	124.030	
300SE		Six	3.0L	126.024	
300SEL		Six	3.0L	126.025	
300TE		Six	3.0L	124.090	
420SEL		V8	4.2L	126.035	
560SEC		V8	5.6L	126.045	
560SEL		V8	5.6L	126.039	
560SL		V8	5.6L	107.048	
1990-91		190E (91)	Four	2.3L	201.028
		190E	Six	2.6L	201.029
		300CE	Six	3.0L	124.050
		300D	Five (Turbo Diesel)	2.5L	124.133
	300E	Six	2.6L	124.030	
	300E	Six	3.0L	124.030	
	300E 4WD	Six	3.0L	124.230	
	300SE	Six	3.0L	126.024	
	300SEL	Six	3.0L	126.025	
	300SL	Six	3.0L	129.061	
	300TE	Six	3.0L	124.090	
	300TE 4WD	Six	3.0L	124.290	
	350SD	Six (Turbo Diesel)	3.5L	126.134	
	350SDL	Six (Turbo Diesel)	3.5L	126.135	
	420SEL	V8	4.2L	126.035	
	500SL	V8	5.0L	129.066	
	560SEC	V8	5.6L	126.045	
	560SEL	V8	5.6L	126.039	

Cont.

IDENTIFICATION

MODEL REFERENCE					
YEAR	MODEL	ENGINE	DISPLACEMENT	CHASSIS TYPE	
1992	190E	Four	2.3L	201.028	
	190E	Six	2.6L	201.029	
	300D	Five (Turbo Diesel)	2.5L	124.128	
	300E	Six	2.6L	124.030	
	300E	Six	3.0L	124.030	
	300E 4WD	Six	3.0L	124.030	
	300CE	Six	3.0L	124.050	
	300TE	Six	3.0L	124.090	
	300TE 4WD	Six	3.0L	124.290	
	300SD	Six (Turbo Diesel)	3.5L	140.134	
	300SE	Six	3.2L	140.032	
	300SL	Six	3.0L	129.061	
	400E	V8	4.2L	124.034	
	400SE	V8	4.2L	140.042	
	500E	V8	5.0L	124.036	
	500SL	V8	5.0L	129.066	
	500SEL	V8	5.0L	140.051	
	600SEL	V12	6.0L	140.057	
	1993	190E	Four	2.3L	201.028
		190E	Six	2.6L	201.029
		300D	Five (Turbo Diesel)	2.5L	124.128
		300E	Six	2.8L	124.028
		300E	Six	3.2L	124.032
		300E 4WD	Six	3.0L	124.230
		300CE	Six	3.2L	124.052
		300TE	Six	3.2L	124.092
300TE 4WD		Six	3.0L	124.290	
300SD		Six (Turbo Diesel)	3.5L	140.134	
300SE		Six	3.2L	140.032	
300SL		Six	3.2L	129.061	
400E		V8	4.2L	124.034	
400SEL		V8	4.2L	140.043	
500E		V8	5.0L	124.036	
500SL		V8	5.0L	129.067	
500SEC		V8	5.0L	140.070	
500SEL		V8	5.0L	140.051	
600SL		V12	6.0L	129.076	
600SEC		V12	6.0L	140.076	
600SEL		V12	6.0L	140.057	
1994		C220	Four	2.2L	202.022
		C280	Six	2.8L	202.028
		E320			
		Cabriolet	Six	3.2L	124.065
		Coupe	Six	3.2L	124.052
	Sedan	Six	3.2L	124.032	
	S/W	Six	3.2L	124.092	
	E420	V8	4.2L	124.034	
	E500	V8	5.0L	124.036	
	S320	Six	3.2L	140.032	
	S350	Six	3.5L	140.134	
	S420	V8	4.2L	140.043	
	S500				
	Coupe	V8	5.0L	140.070	
	Sedan	V8	5.0L	140.051	
	S600				
	Coupe	V12	6.0L	140.075	
	Sedan	V12	6.0L	140.057	
	SL320	Six	3.2L	129.063	
	SL500	V8	5.0L	129.067	
	SL600	V12	6.0L	129.076	

IDENTIFICATION

MODEL REFERENCE

YEAR	MODEL	ENGINE	DISPLACEMENT	CHASSIS TYPE	
1995	C36	Six	3.6L	202.028	
	C220	Four	2.2L	202.022	
	C280	Six	2.8L	202.028	
	E300	Six (Diesel)	3.0L	124.131	
	E320				
	Cabriolet	Six	3.2L	124.066	
	Coupe	Six	3.2L	124.052	
	Sedan	Six	3.2L	124.032	
	S/W	Six	3.2L	124.092	
	E420	V8	4.2L	124.034	
	S320	Six	3.2L	140.033	
	S350	Six (Turbo Diesel)	3.5L	140.134	
	S420	V8	4.2L	140.043	
	S500				
	Coupe	V8	5.0L	140.070	
	Sedan	V8	5.0L	140.051	
	S600				
	Coupe	V12	6.0L	140.076	
	Sedan	V12	6.0L	140.057	
	SL320	Six	3.2L	129.063	
	SL500	V8	5.0L	129.067	
	SL600	V12	6.0L	129.076	
	1996	C36	Six	3.6L	202.028
		C220	Four	2.2L	202.022
		C280	Six	2.8L	202.028
		E300	Six (Diesel)	3.0L	210.020
		E320	Six	3.2L	210.055
		S320	Six	3.2L	140.032
		S320 (LWB)	Six	3.2L	140.033
		S420	V8	4.2L	140.043
		S500			
		Coupe	V8	5.0L	140.070
Sedan		V8	5.0L	140.051	
S600					
Coupe		V12	6.0L	140.076	
Sedan		V12	6.0L	140.057	
SL320		Six	3.2L	129.063	
SL500		V8	5.0L	129.067	
SL600		V12	6.0L	129.076	
1997		C36	Six	3.6L	202.028
		C230	Four	2.3L	202.023
		C280	Six	2.8L	202.028
		E300	Six (Diesel)	3.0L	210.020
		E320	Six	3.2L	210.055
		S420	V8	4.2L	210.072
		S320	Six	3.2L	140.032
		S320 (LWB)	Six	3.2L	140.033
		S420	V8	4.2L	140.043
		S500			
		Coupe	V8	5.0L	140.070
		Sedan	V8	5.0L	140.051
		S600			
		Coupe	V12	6.0L	140.076
		Sedan	V12	6.0L	140.057
	SL320	Six	3.2L	129.063	
	SL500	V8	5.0L	129.067	
	SL600	V12	6.0L	129.076	

IDENTIFICATION

MODEL REFERENCE

YEAR	MODEL	ENGINE	DISPLACEMENT	CHASSIS TYPE	
1998-2000	C43	V8	4.3L	202.033	
	C230	Four	2.3L	202.023	
	C280	V6	2.8L	202.029	
	CL500	V8	5.0L	140.070	
	CL600	V12	6.0L	140.076	
	CLK320	V6	3.2L	208.365	
	CLK430	V8	4.3L	208.370	
	E55	V8	5.5L	210.074	
	E300	Six (Turbo Diesel)	3.0L	210.025	
	E320				
	Sed				
	RWD	V6	3.2L	210.065	
	4WD	V6	3.2L	210.082	
	S/W				
	RWD	V6	3.2L	210.265	
	4WD	V6	3.2L	210.282	
	E430	V8	4.3L	210.070	
	ML55	V8	5.5L	163.174	
	ML320	V6	3.2L	163.154	
	ML430	V8	4.3L	163.172	
	S320	Six	3.2L	140.032	
	S320 (LWB)	Six	3.2L	140.033	
	S420	V8	4.2L	140.043	
	S430	V8	4.3L	220.170	
	S500	V8	5.0L	140.051	
	S600	V12	6.0L	140.057	
	SL500	V8	5.0L	129.067	
	SL600	V12	6.0L	129.076	
	SLK230	Four (Supercharged)	2.3L	170.447	
	2001	C240	V6	2.6L	203.061
		C320	V6	3.2L	203.064
		CL500	V8	5.0L	215.375
		CL55	V8	5.5L	215.373
		CL600	V12	6.0L	215.378
		CLK320			
		Convertible	V6	3.2L	208.465
		Coupe	V6	3.2L	208.365
		CLK430			
		Convertible	V8	4.3L	208.470
		Coupe	V8	4.3L	208.370
		CLK55	V8	5.5L	208.374
		E320			
		Sedan			
		AWD	V6	3.2L	210.082
		RWD	V6	3.2L	210.055
S/W					
AWD		V6	3.2L	210.282	
RWD		V6	3.2L	210.265	
E430					
Sedan					
AWD		V8	4.3L	210.083	
RWD		V8	4.3L	210.070	
E55		V8	5.5L	210.074	
ML320		V6	3.2L	163.154	
ML430		V8	4.3L	163.172	
ML55		V8	5.5L	163.174	
S430		V8	4.3L	210.070	
S500		V8	5.0L	220.175	
S55		V8	5.5L	220.173	
S600		V12	6.0L	220.178	
SL500		V8	5.0L	129.068	
SL600		V12	6.0L	129.076	
SLK230		Four	2.3L Supercharged	170.449	
SLK320		V6	3.2L	170.465	

IDENTIFICATION

MODEL REFERENCE

YEAR	MODEL	ENGINE	DISPLACEMENT	CHASSIS TYPE	
2002	C230	I4	2.3L	203.747	
	C240	V6	2.6L	203.061	
	C32	V6	3.2L	203.065	
	C320				
	Sedan	V6	3.2L	203.064	
	S/W	V6	3.2L	203.264	
	CL500	V8	5.0L	215.375	
	CL55	V8	5.5L	215.373	
	CL600	V12	6.0L	215.378	
	CLK320				
	Convertible	V6	3.2L	208.465	
	Coupe	V6	3.2L	208.365	
	CLK430				
	Convertible	V8	4.3L	208.470	
	Coupe	V8	4.3L	208.370	
	CLK55				
	Convertible	V8	5.5L	208.474	
	Coupe	V8	5.5L	208.374	
	E320				
	Sedan				
	AWD	V6	3.2L	210.082	
	RWD	V6	3.2L	210.065	
	S/W				
	AWD	V6	3.2L	210.282	
	RWD	V6	3.2L	210.265	
	E430				
	AWD	V8	4.3L	210.083	
	RWD	V8	4.3L	210.070	
	E55	V8	5.5L	210.074	
	G500	V8	5.0L	463.249	
	ML320	V6	3.2L	163.154	
	ML500	V8	5.0L	163.175	
	ML55	V8	5.5L	163.174	
	S430	V8	4.3L	220.170	
	S500	V8	5.0L	220.175	
	S55	V8	5.5L	220.173	
	S600	V12	6.0L	220.178	
	SL500	V8	5.0L	129.068	
	SL600	V12	6.0L	129.076	
	SLK230	I4	2.3L	170.449	
	SLK32	V6	3.2L	170.466	
	SLK320	V6	3.2L	170.465	
	2003	C230			
		Coupe	I4	1.8L	203.740
		Sedan	I4	1.8L	203.040
		C240			
		Sedan			
		AWD	V6	2.6L	203.081
		RWD	V6	2.6L	203.061
		S/W			
		AWD	V6	2.6L	203.281
		RWD	V6	2.6L	203.261
		C32	V6	3.2L	203.065
		C320			
		Sedan			
		AWD	V6	3.2L	203.084
		RWD	V6	3.2L	203.064
		S/W			
		AWD	V6	3.2L	203.284
		RWD	V6	3.2L	203.264
CL500		V8	5.0L	215.375	
CL55		V8	5.5L	215.374	
CL600		V12	6.0L	215.376	
CLK320					
Convertible		V6	3.2L	208.465	
Coupe		V6	3.2L	208.365	
CLK430		V8	4.3L	208.370	
CLK500		V8	5.0L	209.375	
CLK55		V8	5.5L	209.376	

IDENTIFICATION

MODEL REFERENCE

YEAR	MODEL	ENGINE	DISPLACEMENT	CHASSIS TYPE
2003 (Cont.)	E320	V6	3.2L	211.065
	Sedan			
	S/W			
	AWD	V6	3.2L	210.282
	RWD	V6	3.2L	210.265
	E500	V8	5.0L	211.070
	E55	V8	5.5L	211.076
	G500	V8	5.0L	463.249
	G55	V8	5.5L	463.246
	ML320	V6	3.2L	163.154
	ML350	V6	3.7L	163.157
	ML500	V8	5.0L	163.175
	ML55	V8	5.5L	163.174
	S430			
	AWD	V8	4.3L	220.183
	RWD	V8	4.3L	220.170
	S500			
	AWD	V8	5.0L	220.184
	RWD	V8	5.0L	220.175
	S55	V8	5.5L	220.174
	S600	V12	6.0L	220.176
	SL500	V8	5.0L	230.475
	SL55	V8	5.5L	230.474
	SLK230	I4	2.3L	170.449
	SLK32	V6	3.2L	170.466
	SLK320	V6	3.2L	170.465

MODEL REFERENCE

YEAR & MODEL	ENGINE	TRANS TYPE
2004		
C230	I4 1.8L/271.948	6 Spd Std, 5 Spd Auto
C240	V6 2.6 L/112.912/6	5 Spd Auto
C32	V6 3.2 L/112.961	5 Spd Auto
C320	V6 3.2L/112.946/3	6 Spd Std, 5 Spd Auto
CL500	V8 5.0L/113.960	7 Spd Auto
CL55	V8 5.5 L/113.991	5 Spd Auto
CL600	V12 5.5 L/275.950	5 Spd Auto
CLK320	V6 3.2 L/112.955	5 Spd Auto
CLK500	V8 5.0 L/113.968	5 Spd Auto
CLK55	V8 5.5L/113.987	5 Spd Auto
E320	V6 3.2 L/112.954/9	5 Spd Auto
E500	V8 5.0 L/113.969/7	5 Spd Auto, 7 Spd Auto
E55	V8 5.5L/113.990	5 Spd Auto
G500	V8 5.0 L/113.962	5 Spd Auto
G55	V8 5.5 L/113.982	5 Spd Auto
ML350	V6 3.7 L/112.970	5 Spd Auto
ML500	V8 5.0 L/113.965	5 Spd Auto
S430	V8 4.3 L/113.948/1	5 Spd Auto, 7 Spd Auto
S500	V8 5.0 L/113.966/0	5 Spd Auto, 7 Spd Auto
S55	V8 5.5 L/113.992	5 Spd Auto
S600	V12 5.5 L/275.950	5 Spd Auto
SL500	V8 5.0 L/113.963	7 Spd Auto
SL55	V8 5.5 L/113.992	5 Spd Auto
SL600	V12 5.5 L/275.951	5 Spd Auto
SLK230	I4 2.3 L/111.983	6 Spd Std, 5 Spd Auto
SLK32	V6 3.2 L/112.960	5 Spd Auto
SLK320	V6 3.2 L/112.947	6 Spd Std, 5 Spd Auto

IDENTIFICATION

MODEL REFERENCE

YEAR & MODEL	ENGINE	TRANS TYPE
2005		
C230	I4 1.8 L/271.948	6 Spd Std, 5 Spd Auto
C240	V6 2.6 L/112.912/6	5 Spd Auto
C320	V6 3.2 L/112.946	5 Spd Auto, 6 Spd Std
CL500	V8 5.0 L/113.960	7 Spd Auto
CL55	V8 5.5 L/113.991	5 Spd Auto
CL600	V12 5.5 L/275.950	5 Spd Auto
CLK320	V6 3.2 L/112.955	5 Spd Auto
CLK500	V8 5.0 L/113.968	7 Spd Auto
CLK55	V8 5.5 L/113.987	5 Spd Auto
E320	Inline 6 3.2 L/648.961	5 Spd Auto
	V6 3.2 L/112.949/54	5 Spd Auto
E500	V8 5.0 L/113.969/7	5 Spd Auto, 7 Spd Auto
E55	V8 5.5 L/113.990	5 Spd Auto
G500	V8 5.0 L/113.962	5 Spd Auto
G55	V8 5.5 L/113.982	5 Spd Auto
ML350	V6 3.7 L/112.970	5 Spd Auto
ML500	V8 5.0 L/113.965	5 Spd Auto
S430	V8 4.3 L/113.948/1	5 Spd Auto, 7 Spd Auto
S500	V8 5.0 L/113.966/0	5 Spd Auto, 7 Spd Auto
S55	V8 5.5 L/113.991	5 Spd Auto
S600	V12 5.5 L/275.950	5 Spd Auto
SL500	V8 5.0 L/113.963	7 Spd Auto
SL55	V8 5.5 L/113.992	5 Spd Auto
SL65	V12 6.0 L/275.981	5 Spd Auto
SL600	V12 5.5 L/275.951	5 Spd Auto
SLK350	V6 3.5L L/279.963	7 Spd Auto, 6 Spd Std
SLK55	V8 5.5 L/113.989	7 Spd Auto
SLR	V8 5.5 L/155.980	5 Spd Auto
2006-07		
C230	V6 2.5 L/272.920	6 Spd Std, 7 Spd Auto
C280	V6 3.0 L/272.940	7 Spd Auto
	V6 3.0 L/272.941	5 Spd Auto
C350	V6 3.5L/272.056	7 Spd Auto, 6 Spd Std
	V6 3.5L/272.087	5 Spd Auto
C55	V8 5.5L/113.988	5 Spd Auto
CL500	V8 5.0 L/113.960	7 Spd Auto
CL55	V8 5.5 L/113.991	5 Spd Auto
CL550	V8 5.5 L/273.961	7 Spd Auto
CL600	V12 5.5 L/275.950	5 Spd Auto (06)
	V12 5.5 L/275.953	5 Spd Auto (07)
CL65	V12 6.0 L/275.981	5 Spd Auto
CLK350	V6 3.5L/272.960	7 Spd Auto
CLK500	V8 5.0 L/113.968	7 Spd Auto
CLK55	V8 5.5 L/113.988	5 Spd Auto
CLK550	V8 5.5 L/273.967	7 Spd Auto
CLK63	V8 6.3 L/156.982	7 Spd Auto
CLS500	V8 5.0 L/113.967	7 Spd Auto
CLS55	V8 5.5 L/113.990	5 Spd Auto
CLS550	V8 5.5 L/273.967	7 Spd Auto
CLS63	V8 6.3 L/156.983	7 Spd Auto
E320	Inline 6 3.2 L/648.961	5 Spd Auto (06)
	Inline 6 3.2 L/642.90	5 Spd Auto (07)
E350	V6 3.5 L/272.964	7 Spd Auto
	V6 3.5 L/272.972	5 Spd Auto
E500	V8 5.0 L/113.967	7 Spd Auto
	V8 5.0 L/113.969	5 Spd Auto
E55	V8 5.5 L/113.990	5 Spd Auto
E550	V8 5.5 L/273.960	7 Spd Auto
	V8 5.5 L/273.962	7 Spd Auto
E63	V8 6.3 L/156.983	7 Spd Auto
G500	V8 5.0 L/113.962	5 Spd Auto
	V8 5.0 L/113.962	7 Spd Auto
G55	V8 5.5 L/113.982	5 Spd Auto
	V8 5.5 L/113.993	5 Spd Auto
	V8 5.5 L/113.982	7 Spd Auto
	V8 5.5 L/113.993	7 Spd Auto
GL320	V6 3.0 L/642.940	7 Spd Auto

IDENTIFICATION

MODEL REFERENCE

YEAR & MODEL	ENGINE	TRANS TYPE
2006-07 (Cont.)		
ML320	V8 3.0 L/642.940	7 Spd Auto
ML350	V6 3.5 L/272.967	7 Spd Auto
ML500	V8 5.0 L/113.964	7 Spd Auto
	V8 5.0 L/113.971	7 Spd Auto
ML450	V8 4.6 L/273.923	7 Spd Auto
ML63	V8 6.3 L/156.980	7 Spd Auto
R320	V6 3.0 L/642.90	7 Spd Auto
R350	V6 3.5 L/272.967	7 Spd Auto
R500	V8 5.0 L/113.965	7 Spd Auto
R63	V8 6.3 L/156.980	7 Spd Auto
S350	V6 3.7 L/112.972	5 Spd Auto
S430	V8 4.3 L/113.941	7 Spd Auto
	V8 4.3 L/113.948	5 Spd Auto
S500	V8 5.0 L/113.960	7 Spd Auto
	V8 5.0 L/113.966	5 Spd Auto
S55	V8 5.5 L/113.991	5 Spd Auto
S550	V8 5.5 L/273.961	7 Spd Auto
	V8 5.5 L/273.968 (4 Matic)	7 Spd Auto
S600	V12 5.5 L/275.950	5 Spd Auto
S65	V12 5.5 L/275.980	5 Spd Auto
SL500	V6 5.0 L/113.963	7 Spd Auto
SL55	V8 5.5 L/113.992	5 Spd Auto
SL550	V8 5.5 L/273.965	7 Spd Auto
SL600	V12 5.5 L/275.951	5 Spd Auto
	V12 5.5 L/275.954	5 Spd Auto
SL65	V12 6.0 L/275.981	5 Spd Auto
SLK280	V6 3.0L L/272.942	7 Spd Auto, 6 Spd Std
SLK350	V6 3.5L L/272.963	7 Spd Auto, 6 Spd Std
SLK55	V8 5.5 L/113.988	7 Spd Auto
SLR	V8 5.5 L/155.980	5 Spd Auto

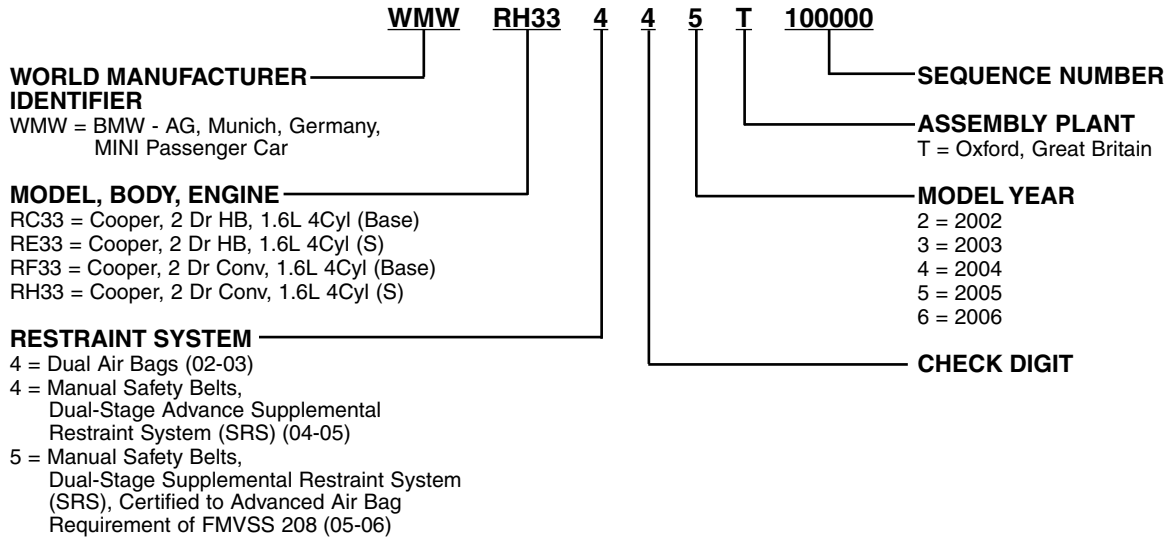
IDENTIFICATION

MINI

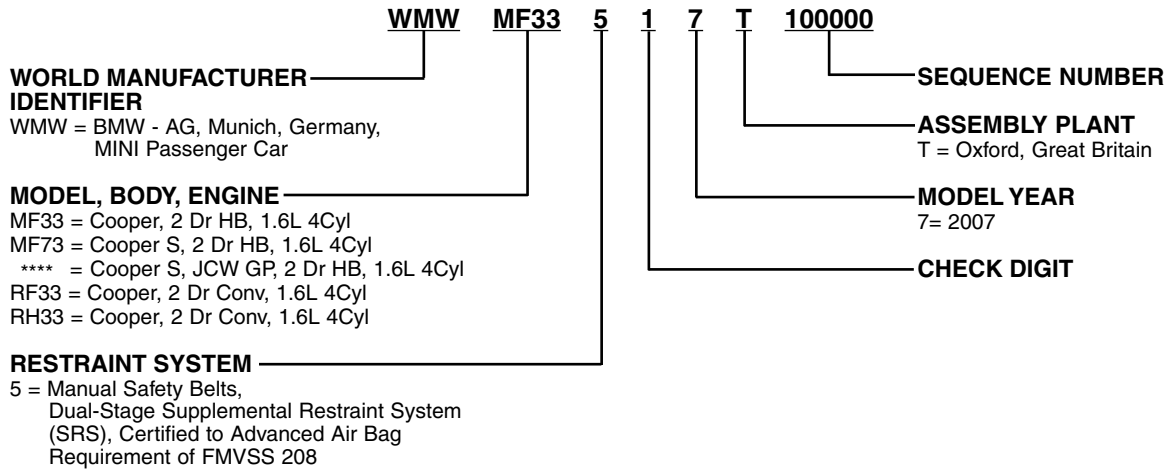
LOCATION: The Vehicle Identification Number is stamped on a metal plate. The plate is attached to the upper left corner of the instrument panel on all models.

SAMPLE VIN:

MINI 2002 - 2006



MINI 2007

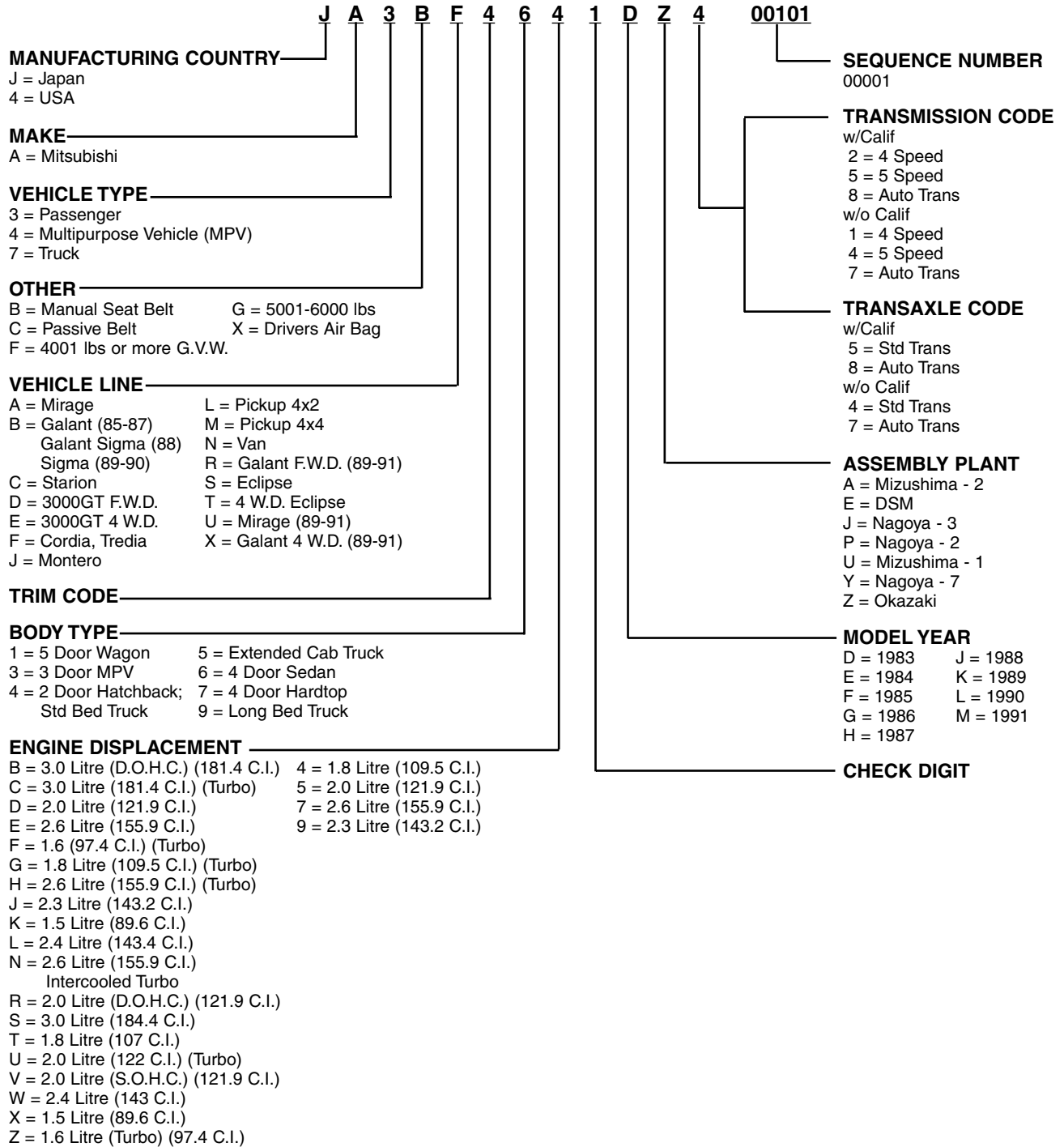


IDENTIFICATION NUMBER OR PLATE LOCATION

Model identification plates are located on left upper dash panel, visible through windshield.

1983-91

**CORDIA, ECLIPSE, GALANT, GALANT SIGMA, MIRAGE,
 MONTERO, PICKUP, SIGMA, STARION, TREDIA, VAN, 3000GT**



IDENTIFICATION

MITSUBISHI

PRECIS 1987-91

KMH V A 3 1 J 5 F U 000001

VEHICLE TYPE

KMH = Passenger Car (Thru 3-10-88)
KPH = Passenger Car (3-11-88 & Up)

DRIVE TYPE

V = Left Hand Drive
U = Right Hand Drive

BODY TYPE

A = 4 Door Hatchback
D = 2 Door Hatchback
F = 4 Door Sedan

SERIES

1 = Base
2 = RS, GL
3 = LS, GLS

SEQUENCE NUMBER
000001

PLANT CODE

U = Ulsan Plant
B = Bromont Plant

MODEL YEAR

H = 1987 L = 1990
J = 1988 M = 1991
K = 1989

CHECK DIGIT

ENGINE DISPLACEMENT

J = 1.5 Litre

RESTRAINT SYSTEM

0 = Non-Seat Belt
1 = 3 Point Seat Belt
2 = Passive Belt

1992

DIAMANTE, ECLIPSE, EXPO, EXPO LRV,
GALANT, MIRAGE, MONTERO, PICKUP, 3000GT

J A 7 F L 2 4 W 2 N P 000001

MANUFACTURING COUNTRY

J = Japan
4 = USA

MAKE

A = Mitsubishi

VEHICLE TYPE

3 = Passenger
4 = Multipurpose Vehicle (MPV)
7 = Truck

OTHER

B = Manual Seat Belt
C = Automatic Seat Belt
F = 4001 - 5000 lbs G.V.W.
G = 5001 - 6000 lbs G.V.W.
X = Driver Air Bag w/ Passenger Manual Seat Belt

VEHICLE LINE

A = Diamante	T = Eclipse 4 W.D.
D = 3000GT F.W.D.	U = Mirage
E = 3000GT 4 W.D.	V = Expo LRV F.W.D.
K = Montero	W = Expo LRV 4 W.D.
L = Pickup 4x2	X = Galant 4 W.D.
M = Pickup 4x4	Y = Expo F.W.D.
R = Galant F.W.D.	Z = Expo 4 W.D.
S = Eclipse F.W.D.	

TRIM CODE

1 = Economy	5 = Premium
2 = Low	6 = Special
3 = Medium	7 = Ultimate
4 = High	

SEQUENCE NUMBER
000001

ASSEMBLY PLANT

E = DSM
J = Nagoya - 3
P = Nagoya
U = Mizushima - 1
Y = Nagoya
Z = Okazaki

MODEL YEAR

N = 1992

CHECK DIGIT

ENGINE TYPE

A = 1.5L SOHC	T = 1.8L SOHC
B = 3.0L DOHC	U = 2.0L DOHC
C = 3.0L DOHC (Turbo)	V = 2.0L SOHC
D = 1.8L SOHC	W = 2.4L SOHC
R = 2.0L DOHC	Y = 1.6L DOHC
S = 3.0L SOHC	

BODY TYPE

0 = 4 Dr Wagon	6 = 4 Dr Sedan
1 = 5 Dr Wagon	7 = 4 Dr Hard Top
4 = 3 Dr Hatchback Std Cab - Short Bed	5 = 5 Dr Wagon; Std Cab - Long Bed
5 = Extended Cab	

IDENTIFICATION

**1992
 PRECIS**

KMH V A 3 1 J 5 F U 000001

VEHICLE TYPE

KMH = Passenger Car
 KPH = Passenger Car

DRIVE TYPE

V = Left Hand Drive
 U = Right Hand Drive

BODY TYPE

A = 4 Door Hatchback
 D = 2 Door Hatchback
 F = 4 Door Sedan

SERIES

1 = Base

SEQUENCE NUMBER
 000001

PLANT CODE

U = Ulsan Plant
 B = Bromont Plant

MODEL YEAR

N = 1992

CHECK DIGIT

ENGINE DISPLACEMENT

J = 1.5 Litre

RESTRAINT SYSTEM

0 = Non-Seat Belt
 1 = 3 Point Seat Belt
 2 = Passive Belt

1993

**DIAMANTE, ECLIPSE, EXPO, EXPO LRV,
 GALANT, MIRAGE, MONTERO, PICKUP, 3000GT**

J A 3 B P5 7 J 6 P Y 123456

MANUFACTURING COUNTRY

J = Japan
 4 = USA
 6 = Australia

MAKE

A = Mitsubishi
 M = Mitsubishi

VEHICLE TYPE

M = Passenger
 3 = Passenger
 4 = Multipurpose Vehicle (MPV)
 7 = Truck

**RESTRAINT SYSTEM (Car)/
 GVWR/BRAKE SYSTEM (Truck, MPV)**

B = Driver Air Bag, Passenger
 Manual Seat Belts
 C = Automatic Seat Belts
 D = Manual Seat Belts
 L = 4001 - 5000 Lbs/Hydraulic
 M = 5001 - 6000 Lbs/Hydraulic
 X = Driver Air Bag, Passenger
 Manual Seat Belts

CAR LINE and SERIES

A1 = Mirage S 2-Dr	G6 = Eclipse GSX 4 W.D. 2.0L D.O.H.C. Turbo Intercooled
A2 = Mirage S 4-Dr	H4 = Galant S 2.0L
A2 = Mirage ES 2-Dr	H5 = Galant ES 2.0L
A3 = Mirage ES 4-Dr	H5 = Galant LS 2.0L
A3 = Mirage LS 2-Dr	M5 = 3000GT Base 3.0L
A4 = Mirage LS 4-Dr	M6 = 3000GT SL 3.0L
B2 = Expo LRV Base 1.8L	N7 = 3000GT VR4 3.0L
B4 = Expo LRV Sport 2.4L	P4 = Diamante ES 3.0L
C2 = Expo LRV 4 W.D. 2.4L	P5 = Diamante LS 3.0L
C4 = Diamante Wagon	R3 = Montero Base 3.0L
D4 = Expo Base 2.4L	R4 = Montero RS 3.0L
D5 = Expo SP 2.4L	R4 = Montero LS 3.0L
E4 = Expo 4 W.D. 2.4L	R5 = Montero SR 3.0L
E5 = Expo 4 W.D. SP 2.4L	S2 = Truck 4x2 Std Cab
F3 = Eclipse Base 1.8L	S2 = Truck 4x2 Ext Cab
F4 = Eclipse GS 1.8L	T2 = Truck 4x4 Std Cab
F4 = Eclipse GS 2.0L D.O.H.C.	
F5 = Eclipse GS 2.0L D.O.H.C. Turbo Intercooled	

PLANT SEQUENCE NUMBER

PLANT

E = Bloomington, Illinois
 J = Nagoya - 3
 P = Nagoya - 2
 T = Tonsley Park, Australia
 U = Mizushima
 Y = Nagoya - 1
 Z = Okazaki

MODEL YEAR

P = 1993

CHECK DIGIT

ENGINE TYPE

A = 1.5L S.O.H.C. M.F.I. 3-Valve
 B = 1.8L S.O.H.C. M.F.I.
 C = 1.8L S.O.H.C. M.F.I. (4G93)
 D = 2.0L S.O.H.C. M.F.I. 4-Valve
 E = 2.0L D.O.H.C. M.F.I.
 F = 2.0L D.O.H.C. M.F.I.
 Turbo Intercooled
 G = 2.4L S.O.H.C. M.F.I.
 H = 3.0L S.O.H.C. M.F.I.
 J = 3.0L D.O.H.C. M.F.I.
 K = 3.0L D.O.H.C. M.F.I.
 Twin Turbo Intercooled

BODY TYPE

Passenger Car
 0 = 4 Dr Wagon
 1 = 2 Dr Sedan
 4 = 3 Dr Hatchback
 6 = 4 Dr Sedan
 7 = 4 Dr Pillared Hardtop
 9 = 5 Dr Wagon

Truck

1 = Std Cab - Short Bed
 2 = Std Cab - Long Bed
 3 = Ext Cab
MPV
 1 = 5 Dr Wagon (Montero)

IDENTIFICATION

MITSUBISHI

1993

PRECIS

KPH V D 1 2 J 6 P U 123456

KPH=Hyundai Motor Company Passenger Car Sold by Mitsubishi Motor Sales of America, Inc. as Precis Model.

DRIVE TYPE V=Left hand drive

BODY TYPE D=3 Dr Hatchback

SERIES 1=Base

RESTRAINT SYSTEM 2 = Passive Seat Belt

PLANT SEQUENCE NUMBER

PLANT U=Ulsan

MODEL YEAR P=1993

CHECK DIGIT

ENGINE J=1.5L MPI

1994-99

J A 3 B P 5 7 J 6 R Y 123456

MANUFACTURING COUNTRY J = Japan 4 = USA 6 = Australia

MAKE A = Mitsubishi M = Mitsubishi

VEHICLE TYPE M = Passenger 3 = Passenger 4 = Multipurpose Vehicle (MPV) 7 = Truck

RESTRAINT SYSTEM (Car)/ GVWR/BRAKE SYSTEM (Truck, MPV) A = Dual Air Bags B = Driver Air Bag, Passenger Manual Seat Belts C = Automatic Seat Belts E = Driver Air Bag, Passenger Automatic Seat Belts L = 4001 - 5000 Lbs/Hydraulic Brake M = 5001 - 6000 Lbs/Hydraulic Brake X = Driver Air Bag, Passenger Manual Seat Belts

CAR LINE A = Galant Mirage B = Expo LRV F.W.D. C = Diamante S/W D = Expo F.W.D. E = Expo 4 W.D. F = Eclipse F.W.D. G = Eclipse 4 W.D. J = Galant K = Eclipse F.W.D. L = Eclipse 4 W.D. M = 3000GT FWD N = 3000GT 4 W.D. P = Diamante Sedan R = Montero S = Montero Sport 4x2 T = Montero Sport 4x4 V = 3000GT Conv F.W.D. W = 3000GT Conv 4 W.D. X = Eclipse Spyder Y = Mirage

SEQUENCE NUMBER

PLANT E = Bloomington, Illinois J = Nagoya - 3 P = Nagoya - 2 T = Tonsley Park, Australia U = Mizushima Y = Nagoya - 1 Z = Okazaki

MODEL YEAR R = 1994 V = 1997 S = 1995 W = 1998 T = 1996 X = 1999

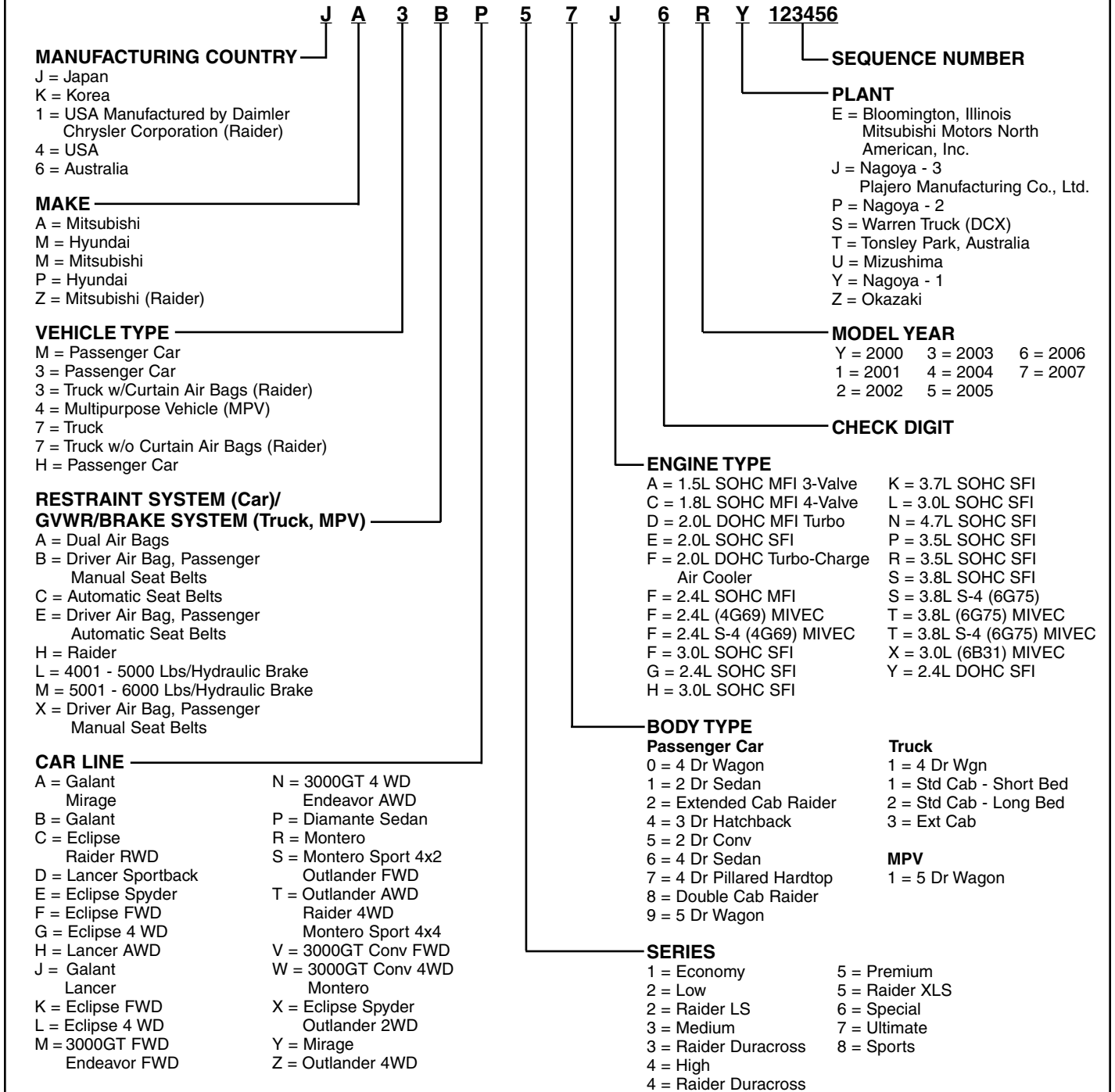
CHECK DIGIT

ENGINE TYPE A = 1.5L SOHC MFI 3-Valve B = 1.8L SOHC MFI C = 1.8L SOHC MFI 4-Valve E = 2.0L DOHC MFI F = 2.0L DOHC MFI Turbo G = 2.4L SOHC MFI H = 3.0L SOHC MFI J = 3.0L DOHC MFI K = 3.0L DOHC MFI Turbo L = 2.4L DOHC MFI M = 3.5L DOHC MFI P = 3.0L SOHC MFI R = 3.5L SOHC MFI S = 3.0L SOHC MFI Y = 2.0L DOHC MFI

BODY TYPE Passenger Car 0 = 4 Dr Wagon 1 = 2 Dr Sedan 4 = 3 Dr Hatchback 5 = 2 Dr Conv 6 = 4 Dr Sedan 7 = 4 Dr Pillared Hardtop 9 = 5 Dr Wagon Truck 1 = Std Cab - Short Bed 2 = Std Cab - Long Bed 3 = Ext Cab MPV 1 = 5 Dr Wagon

SERIES 1 = Economy 2 = Low 3 = Medium 4 = High 5 = Premium 6 = Special 7 = Ultimate 8 = Sports

2000-2007



ENGINE IDENTIFICATION CODES

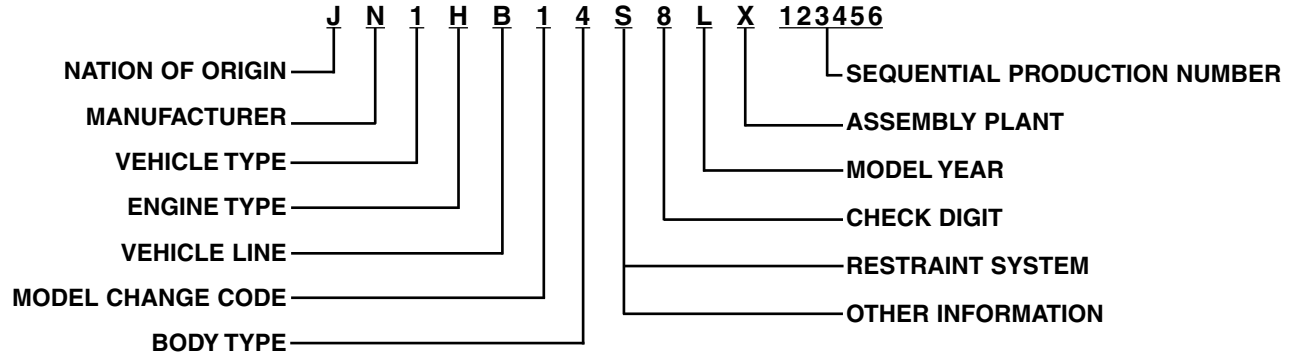
CODE	DISPLACEMENT	TYPE
EKG	226.0 C.I. 3.7L	Gas
EVA	287.0 C.I. 4.7L	Gas
G15B	89.6 C.I. 1.5L	Gas
G32B	97.4 C.I. 1.6L	Gas
G4AJ	89.6 C.I. 1.5L	Gas
G4DJ	89.6 C.I. 1.5L	Gas
G54B	155.9 C.I. 2.6L	Gas
G62B	109.5 C.I. 1.8L	Gas
G63B	121.9 C.I. 2.0L	Gas
G64B	146.4 C.I. 2.4L	Gas
4D55	143.2 C.I. 2.3L	Diesel
4G15	89.6 C.I. 1.5L	Gas
4G37	107.0 C.I. 1.8L	Gas
4G61	97.4 C.I. 1.6L	Gas
4G63	121.9 C.I. 2.0L	Gas
4G64	143.5 C.I. 2.4L	Gas
4G69	145.0 C.I. 2.4L	Gas
4G72	181.4 C.I. 3.0L	Gas
4G93	111.9 C.I. 1.8L	Gas
4G94	122 C.I. 2.0L	Gas
4G94-T	122 C.I. 2.0L	Gas
420A	121.8 C.I. 2.0L	Gas
6B31	182.0 C.I. 3.7L	Gas
6G72	181.4 C.I. 3.0L	Gas
6G73	153.0 C.I. 2.5L	Gas
6G74	213.4 C.I. 3.5L	Gas
6G75	234.0 C.I. 3.8L	Gas

NISSAN

LOCATION: The Vehicle Identification Number (VIN) is stamped on a metal plate. The plate is attached to the upper left corner of the instrument panel and is visible from outside the vehicle through the windshield. It can also be found on the Vehicle Certification Label located on the left front door lock face panel and/or door pillar.

SAMPLE VIN:

1983-90



NISSAN

VIN Position 1 = Nation of Origin

- J Japan
- 1 USA
- 3 Mexico

VIN Position 2 = Manufacturer

- N Nissan

VIN Position 3 = Vehicle Type

- 1 Passenger Car - Japan
- 4 Passenger Car - USA
- 6 Truck - Japan/USA
- 8 MPV - Japan

VIN Position 4 = Engine Type - Passenger Car

- C 1.8 L 4 Cyl (CA18ET) 1983-87
- C 1.8 L 4 Cyl (GA18DE) 1988-90
- C 2.8 L 6 Cyl (L28E) 1983
- C 2.8 L 6 Cyl (L28ET) 1983
- C 3.0 L V6 (VG30ET) 1983-89
- C 3.0 L V6 (VG30ETT) 1983-89
- E 1.6 L 4 Cyl (CA16DE) 1987
- F 2.0 L 4 Cyl (Z20) 1983-85
- F 2.4 L 4 Cyl (KA24) 1990
- G 1.6 L 4 Cyl (GA16i) 1989-90
- H 2.0 L 4 Cyl (CA20E) 1983-89
- H 2.4 L 4 Cyl (KA24E) 1989-90
- H 2.8 L 6 Cyl (L28E) 1983
- H 3.0 L V6 (VG30E) 1983-89
- H 3.0 L V6 (VG30i) 1989
- M 1.5 L 4 Cyl (E15S) 1983
- M 1.6 L 4 Cyl (E16) 1984-88
- N 2.4 L 4 Cyl (KA24E) 1990
- N 2.4 L 4 Cyl (Z24) 1983-89
- P 1.6 L 4 Cyl (E16S) 1983-88
- P 1.6 L 4 Cyl (E16i) 1987-89
- P 1.6 L 4 Cyl (E16S) 1987-89
- R 2.2 L 4 Cyl (Z22E) 1983
- R 3.0 L V6 (VG30) 1990
- S 1.7 L 4 Cyl Diesel (CD17) 1983-86
- S 2.4 L 4 Cyl (KA24E) 1983-89
- S 2.4 L 4 Cyl (Z24i) 1987-90
- S 2.8 L 6 Cyl (CA16DE) 1983-89
- S 2.8 L 6 Cyl Diesel (LD28) 1983

VIN Position 4 = Engine Type - Truck/Van/Pathfinder

- F 2.0 L 4 Cyl (Z20) 1984-87
- H 3.0 L V6 (VG30E) 1986-89
- H 3.0 L V6 (VG30i) 1989-90
- J 2.5 L 4 Cyl Diesel (SD25) 1983-87
- M 2.2 L 4 Cyl (Z22) 1983
- N 2.4 L 4 Cyl (Z24) 1984-87

- N 2.4 L 4 Cyl (Z24i) 1986-89
- S 2.4 L 4 Cyl (Z24) 1987-89
- S 2.4 L 4 Cyl (Z24i) 1990
- S 2.4 L 4 Cyl (KA24E) 1990

VIN Position 5 = Vehicle Line

- B Sentra 1983-90
- J Maxima 1989-90
- M Stanza Wagon 1986-89
- N Pulsar 1983-90
- S 200SX 1983-90
- S 240SX 1989-90
- T Stanza 1983-89
- U Stanza 1990
- U Maxima 1983-88
- Z 280ZX 1983
- Z 300ZX 1984-90

- D Truck/Pathfinder
- C Van
- M Axxess 1990

VIN Position 6 = Model Change Code

- 0 Stanza Wagon 1986-89
- 0 Maxima 1989-90
- 1 Maxima 1983-88
- 1 300ZX 1984-90
- 1 Axxess 1990
- 1 Sentra 1983-86
- 1 Stanza 1983-86
- 1 Truck/Pathfinder
- 2 Sentra 1987-90
- 2 Stanza 1987-90
- 2 Pulsar 1983-86
- 2 200SX 1983-88
- 3 Pulsar 1987-90
- 3 240SX 1989-90
- 2 Van 1987-88, 90

VIN Position 7 = Body Type - Passenger Car

- 1 4 Dr Sedan
- 2 2 Dr Sedan 1983-94
- 3 4 Dr Hardtop 1983-87
- 3 4 Dr Hatchback 1983-88
- 4 2 Dr Hardtop 1983-87
- 4 2 Dr Coupe
- 4 2 Dr Hatchback
- 5 4 Dr Wagon
- 6 2 Dr Hatchback 1988-90
- 6 2 Dr Coupe (2+2) 1990

VIN Position 7 = Body Type - Truck/Pathfinder

- 1 Pickup - Reg Bed
- 2 Pickup - Long Bed
- 3 Pickup - Double Cab
- 4 Van/Pathfinder
- 5 Cab & Chassis
- 6 King Cab - Wagon
- 6 Pathfinder

VIN Position 8 = Passenger Car - Restraint System

- A Passive Belt System - 3 Point
- B Air Bag Equipped
- C Air Bag Equipped
- J Passive - Motorized - 2 Point (4WD-AWD)
- P Passive - Motorized - 2 Point (FWD-RWD)

VIN Position 8 = Truck/Van/Utility - Drive Type/Other Info

- H Heavy Duty
- S Standard
- S FWD-RWD
- Y 4WD-AWD

VIN Position 9 = Check Digit

VIN Position 10 = Model Year

- D 1983 H 1987
- E 1984 J 1988
- F 1985 K 1989
- G 1986 L 1990

VIN Position 11 = Assembly Plant

- C Smyrna, Tennessee - USA
- H-M Tohigi, Japan
- K Mexico
- T Oppama, Japan
- U Zama, Japan
- W Kyushyu, Japan
- X Hiratsuka, Japan
- Z Kyoto, Japan
- 4 Nagoya, Japan
- 5 Murayama, Japan
- 9 Gunha, Japan
- 9 Fujijyu, Japan

VIN Position 12-17 = Sequential Production Number

VEHICLE IDENTIFICATION

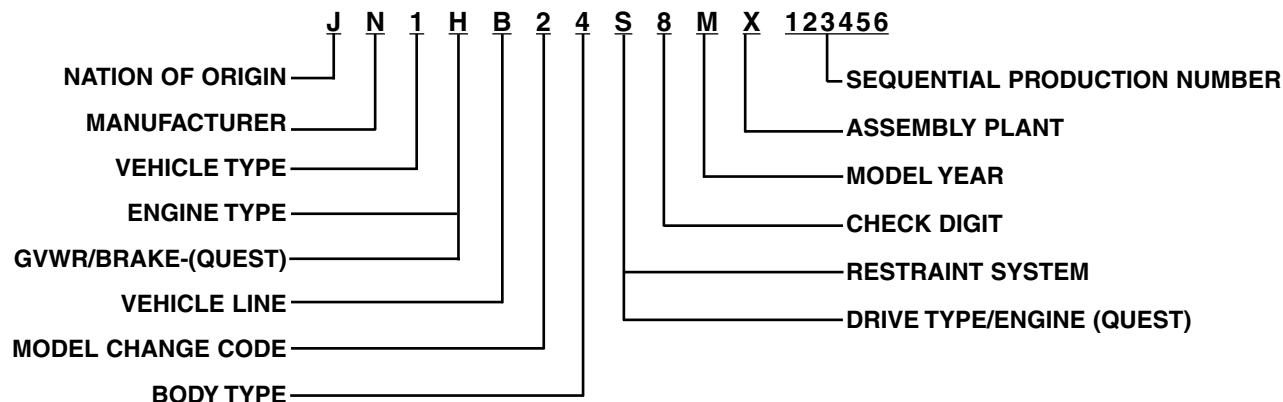
VIN DECODING

NISSAN

LOCATION: The Vehicle Identification Number (VIN) is stamped on a metal plate. The plate is attached to the upper left corner of the instrument panel and is visible from outside the vehicle through the windshield. It can also be found on the Vehicle Certification Label located on the left front door lock face panel and/or door pillar.

SAMPLE VIN:

1991-99



NISSAN

VIN Position 1 = Nation of Origin

- J Japan
- 1 USA
- 3 Mexico

VIN Position 2 = Manufacturer

- N Nissan

VIN Position 3 = Vehicle Type

- 1 Passenger Car - Japan
- 2 Quest (VAN)
- 3 Convertible - Japan
- 4 Passenger Car - USA
- 6 Truck - USA
- 8 Pathfinder (SUV)

VIN Position 4 = Engine Type - Passenger Car

- A 1.6 L 4 Cyl (GA16) 1995-98
- A 2.4 L 4 Cyl (KA24) 1995-98
- B 2.0 L 4 Cyl (SR20) 1994-99
- B 2.4 L 4 Cyl (KA24DE) 1994
- C 3.0 L V6 (VG30DET) 1991-94
- C 3.0 L V6 (VG30) 1995-96
- C 3.0 L V6 (VQ30) 1995-99
- D 2.4 L 4 Cyl (KA24) 1998-99
- E 1.6 L 4 Cyl (GA16DE) 1991-94
- E 3.0 L V6 (VE30DE) 1992-94
- F 2.4 L 4Cyl (KA24E) 1991-93
- G 2.0 L 4Cyl (SR20D) 1991-93
- H 2.4 L 4Cyl (KA24E) 1991
- H 3.0 L V6 (VG30E) 1991-94
- M 2.4 L 4Cyl (KA24DE) 1991-94
- R 3.0 L V6 (VG30DE) 1991-96

VIN Position 4 = Engine Type - Truck/Van/MPV

- A 3.3 L V6 (VG33) 1996-99
- D 3.0 L V6 (VG30E) 1993-94
- D 2.4 L 4 Cyl (KA24) 1998-99
- E 3.3 L V6 (VG33) 1999
- H 3.0 L V6 (VG30E) 1991-94
- H 3.0 L V6 (VG30) 1995-96
- S 2.4 L 4 Cyl (KA24E) 1991-94
- S 2.4 L 4 Cyl (KA24) 1995-98

VIN Position 4 = GVWR/Brake (Quest)

- D 5001 - 6000 lbs/Hydraulic (Quest)
- X 5001 - 6000 lbs/Hydraulic (Quest)
- Z 5001 - 6000 lbs/Hydraulic (Quest)

VIN Position 5 = Vehicle Line

- A Maxima 1995-99
- B 240SX 1995-98
- B NX Coupe 1991-93
- B Sentra 1991-99
- J Maxima 1991-94
- L Altima 1998-99
- S 240SX 1991-98
- U Altima 1995-97
- U Stanza 1991-92
- U Stanza/Altima 1993-94
- Z 300ZX 1991-96

- D Pathfinder 1995
- D Truck/Pathfinder 1991-94
- D Truck (Pickup) 1995-99
- N Quest 1993-99
- R Pathfinder 1996-99

VIN Position 6 = Model Change Code

- 0 Altima 1998-99
- 0 Maxima 1991-94
- 2 300ZX 1991-96
- 2 Maxima 1995-99
- 2 Stanza 1991-92
- 3 240SX 1991-94
- 3 NX Coupe 1991-93
- 3 Sentra 1991-94
- 3 Altima 1993-97
- 4 Sentra 1995-99
- 4 240SX 1995-98
- 4 200SX 1995-98

- 0 Pathfinder 1996-99
- 1 Pathfinder 1991-95
- 1 Pickup 1991-94
- 1 Pickup 1995-97
- 1 Quest 1993-99
- 2 Frontier Pickup 1998-99

VIN Position 7 = Body Type - Passenger Car

- 1 4 Dr Sedan 1991-99
- 1 2 Dr Coupe 1995-97
- 2 2 Dr Coupe 1998
- 2 2 Dr Sedan 1991-94
- 4 2 Dr Coupe 1991-94
- 4 2 Dr Hatchback 1991-94
- 4 2 Dr Coupe 1995-98
- 5 4 Dr Wagon 1991
- 6 2 Dr Coupe (2+2) 1991-96
- 6 2 Dr Convertible 1992-94

- 6 2 Dr Fastback 1993-94
- 6 2 Dr Coupe T-Bar 1993
- 7 2 Dr Convertible 1993-96

VIN Position 7 = Body Type - Truck/Pathfinder/MPV

- 1 Pickup - Regular Bed
- 1 Quest - Van 1993-99
- 1 Pickup - Long Bed 1991-96
- 4 Quest - Cargo Van 1994
- 5 Pathfinder 4 Dr 1996-99
- 6 Pickup - King Cab
- 7 Pathfinder 4 Dr 1991-95

VIN Position 8 = Passenger Car - Restraint System

- A Front Air Bags/Side Air Bags/Manual Belts
- A Passive Belt
- B Passive Motorized
- C Driver Air Bag/Driver & Pass. Side Air Bags
- D 2 Air Bags/Manual Belts
- F Driver Air Bag
- H Passive - Motorized 4WD-AWD
- J Passive - Motorized FWD-RWD
- S Manual Belts
- W 2 Air Bags & Motorized Restraint (Quest)

VIN Position 8 = Truck/Van/Utility - Drive Type/Engine

- 1 3.0 L V6 (VG30) (Quest)
- S FWD-RWD
- W 3.0 L V6 (VG30) (Quest)
- Y 3.0 L V6 (VG33) (Quest)
- Y 4WD-AWD

VIN Position 9 = Check Digit

VIN Position 10 = Model Year

- M 1991 T 1996
- N 1992 V 1997
- P 1993 W 1998
- R 1994 X 1999
- S 1995

VIN Position 11 = Assembly Plant

- C Smyrna, Tennessee - USA
- K Mexico
- L Mexico
- M Tochigi, Japan
- T Oppama, Japan
- U Zama, Japan
- W Kyushyu, Japan
- X Hiratsuka, Japan

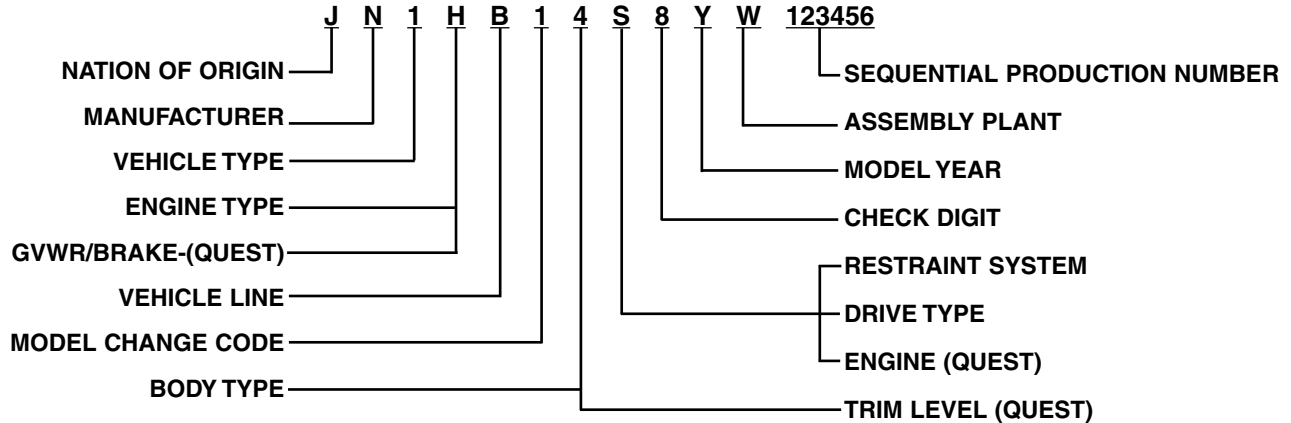
VIN Position 12-17 = Sequential Production Number

NISSAN

LOCATION: The Vehicle Identification Number (VIN) is stamped on a metal plate. The plate is attached to the upper left corner of the instrument panel and is visible from outside the vehicle through the windshield. It can also be found on the Vehicle Certification Label located on the left front door lock face panel and/or door pillar.

SAMPLE VIN:

2000-05



NISSAN

VIN Position 1 = Nation of Origin

- J Japan
- 1 USA
- 3 Mexico
- 5 USA

VIN Position 2 = Manufacturer

- N Nissan

VIN Position 3 = Vehicle Type

- 1 Xterra (SUV) - USA
- 1 Passenger Car - Japan
- 2 Quest (Van) - USA
- 3 Convertible - Japan
- 4 Passenger Car - USA
- 6 Truck - USA
- 8 Pathfinder/Murano (SUV) - USA

VIN Position 4 = Engine Type - Passenger Car

- A 2.5 L 4 Cyl (QR25DE)
- A 3.5 L V6 (VQ35DE) 2003-05
- B 2.0 L 4 Cyl (SR20DE) 2000-01
- B 3.5 L V6 (VQ35DE) 2002-05
- C 1.8 L 4 Cyl (QG18DE) 2000-03
- C 3.0 L V6 (VQ30DE) 2000-01
- D 1.8 L 4 Cyl (QG18DE)
- D 2.4 L 4 Cyl (KA24DE) 2000-01
- D 3.5 L V6 (VQ35DE) 2000-03

VIN Position 4 = Engine Type - Truck/Van/SUV

- A 3.3 L V6 (VG33E) 2000
- A 3.5 L V6 (VQ35DE) 2003-05
- A 4.0 L V8 (VQ40DE) 2005
- A 5.6 L V8 (VK56DE) 2004-05
- B 3.5 L V6 (VQ35DE) 2004-05
- D 2.4 L 4 Cyl (KA24DE) 2000-04
- D 3.5 L V6 (VQ35DE) 2001-04
- E 3.3 L V6 (VG33E) 2000-04
- M 3.3 L V6 (VG33ER) 2001-04

VIN Position 4 = GVWR (Quest)

- X 5001 - 6000 lbs/Hydraulic (Quest)
- Z 5001 - 6000 lbs/Hydraulic (Quest)

VIN Position 5 = Vehicle Line

- A Maxima 2000-05
- B Sentra 2000-05
- L Altima 2000-05
- Z 350Z 2003-05

- A Pathfinder, Armada, Titan 2004-05
- D Frontier, Xterra 2000-04
- N Quest 2000-02
- R Pathfinder 2000-05
- V Quest 2004-05
- Z Murano 2003-05

VIN Position 6 = Model Change Code

- 0 Altima 2000-01
- 3 Maxima 2000-03
- 3 350Z 2003-05
- 4 Maxima 2004-05
- 5 Sentra 2000-05

- 0 Pathfinder 2000-04
- 0 Murano 2003-05
- 0 Frontier 2005
- 0 Xterra 2005
- 1 Quest 2000-02
- 1 Pathfinder 2005
- 2 Frontier, Xterra 2000-04
- 2 Quest 2004-05

VIN Position 7 = Body Type - Passenger Car

- 1 4 Dr Sedan 2000-05
- 4 2 Dr Coupe (350Z) 2003-05
- 5 4 Dr Wagon 2000-02
- 6 2 Dr Convertible (350Z) 2004-05

VIN Position 7 = Body Type - Truck/Van/Util. Vehicle

- 1 Pickup (Std Cab) 2000-01
- 1 Quest (Van) 2000
- 6 Pickup (King Cab) 2 Dr 2000-05
- 7 Pickup (Crew Cab) 4 Dr Short Bed 2000-04
- 7 Pickup (Crew Cab) 4 Dr 2005
- 7 Pathfinder 4 Dr Utility 2000-01
- 8 Xterra, Murano, Quest 4 Dr 2000-03
- 8 Pathfinder, Armada, Murano, Xterra 4 Dr 2004-05
- 8 Quest 2004-05
- 9 Pickup (Crew Cab) 4 Dr Long Bed 2002-05
- 9 Pathfinder 4 Dr Utility

VIN Position 7 = Trim Level (Quest)

- 5 GXE 2001-02
- 6 SE 2001-02
- 7 GLE 2001-02

VIN Position 8 = Passenger Car - Restraint System

- A Driver/Passenger/Side Air Bags/Side Air Bags -Manual Belts
- A Driver/Passenger/Side Air Bags - FWD/RWD
- B Driver/Passenger/Side Air Bags - 4WD/AWD
- D Driver/Passenger Air Bags - Manual Belts
- E Driver/Passenger/Curtain Type AirBags -Manual Belts, FWD/RWD
- F Driver/Passenger/Curtain Type AirBags -Manual Belts, 4WD/AWD

VIN Position 8 = Truck/Van/Util. Vehicle - Drive Type

- A FWD-RWD (4 Wheel ABS)
- B 4WD-AWD (4 Wheel ABS)
- C 4WD-AWD (4 Wheel ABS)
- S FWD-RWD (Rear Wheel ABS)
- T FWD-RWD (4 Wheel ABS)
- X FWD-RWD
- Y 4WD-AWD
- W 4WD-AWD (4 Wheel ABS)
- U FWD-RWD

VIN Position 8 = Engine

- T 3.3L V6 (VG33E) 2000-02 (Quest)

VIN Position 9 = Check Digit

VIN Position 10 = Model Year

- Y 2000 3 2003
- 1 2001 4 2004
- 2 2002 5 2005

VIN Position 11 = Assembly Plant

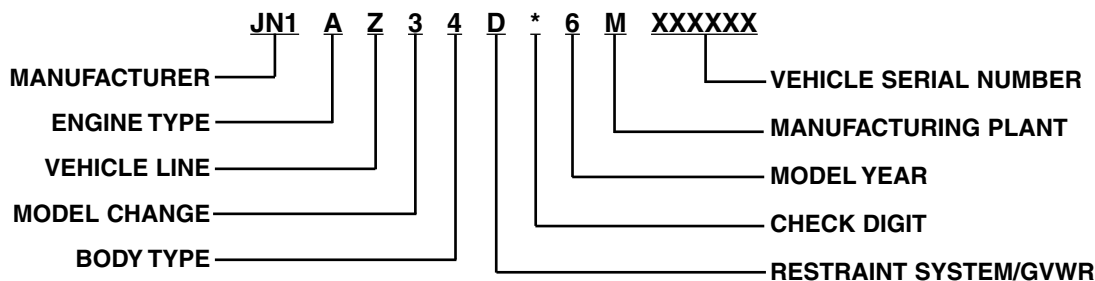
- 5 Kosai, Japan
- C Smyrna, Tennessee - USA
- D Avon Lake, Ohio - USA
- L Mexico
- N Canton, Mississippi - USA
- T Oppama, Japan
- W Kyushyu, Japan

VIN Position 12-17 = Sequential Production Number

VEHICLE IDENTIFICATION

VIN DECODING

2006-07



NISSAN

VIN Position 1 through 3 = Manufacturer

- JN1 Nissan, Passenger Vehicle (305Z)
- JN8 MPV (Murano)
- 1N4 USA Produced Passenger Vehicle (Altima, Maxima)
- 1N6 USA Produced MPV (Frontier, Titan)
- 1N6 USA Produced Truck (Quest)
- 3N1 Mexico (Sentra)
- 5N1 USA Produced MPV (Armada, Pathfinder, Quest, Xterra)

VIN Position 4 = Engine Type

- A VK56DE (Armada, Titan)
- A VQ40DE (Frontier, Pathfinder, Xterra)
- A VQ35DE (305Z, Murano)
- A QR25DE (Altima, Sentra)
- B VQ56DE (Titan) (Flexible Fuel Vehicle)
- B VQ35DE (Altima, Maxima, Quest)
- B QR25DE (Frontier)
- C QG18DE (Sentra)
- * QG18DE (Versa) (EZEVE)

VIN Position 5 = Vehicle Line

- A Nissan Armada, Titan, Maxima
- B Nissan Sentra
- C Versa
- D Nissan Frontier
- L Nissan Altima
- N Nissan Xterra
- R Nissan Pathfinder
- V Nissan Quest
- Z Nissan 305Z, Murano (Z50)

VIN Position 6 = Model Change

(0 to 9)

VIN Position 7 = Body Type

- 1 4 Dr Sedan (Altima, Maxima, Sentra, Versa)
- 3 4 Dr HB (Versa)
- 4 Coupe (305Z)
- 6 King Cab (Frontier, Titan)
- 6 Roadster (305Z)
- 7 Crew Cab (Frontier, Titan)
- 8 4 Dr Wagon (Armada, Murano, Pathfinder, Xterra)
- 8 4 Dr Wagon (Passenger Vehicle, 4 Dr Van (Cargo Van) (Quest)

VIN Position 8 = Restraint System/GVWR

- A Dual Front & Side Air Bags, 3-Point Manual Seat Belts (Sentra, Versa)
- A 2WD, 4-Wheel ABS, Class E (Armada, Titan)
- A D+ SRS Side Air Bags (305Z)
- B 4WD, 4-Wheel ABS, Class E (Armada, Titan)
- D Dual Front SRS Air Bags & 3-Point Manual Seat Belts (Altima, Versa)
- D Driver & Passenger SRS Air Bags (305Z)
- D Dual Front Air Bags & 3-Point Manual Seat Belts (Sentra, Versa)
- E Dual Front SRS Air Bags, SRS Side & Curtain Air Bags & 3-Point Manual Seat Belts (Altima, Maxima)
- E A+ SRS Curtain Air Bags (305Z)
- T 2WD (Murano)
- T 2WD, 4-Wheel ABS, Class C (Frontier)
- U 2WD, 4-Wheel ABS, Class D (Frontier, Pathfinder, Xterra)
- U Standard, 2WD, w/4-Wheel ABS, Class D (Quest)
- W 4WD, 4-Wheel ABS, Class D (Frontier, Pathfinder, Xterra)
- W AWD (Murano)

VIN Position 9 = Check Digit

(0 to 9 or x)

VIN Position 10 = Model Year

- 6 2006
- 7 2007

VIN Position 11 = Manufacturing Plant

- C Smyrna, Tennessee (Altima, Frontier, Maxima, Pathfinder, Xterra)
- L Aguascalientes, Mexico (Sentra)
- M Tochigi (305Z)
- N Canton, Mississippi (Altima, Armada, Quest, Titan)
- W Kyushyu (Murano)

VIN Position 12-17 = Vehicle Serial Number

IDENTIFICATION NUMBER OR PLATE LOCATION

Pickup (620, 720) - On right hand Frame Rail
Other Models - On Cowl Dash Panel

MODEL REFERENCE

YEAR & MODEL	ENGINE	DISPLACEMENT	YEAR & MODEL	ENGINE	DISPLACEMENT
1973			1982 Cont.		
Pickup (620)	L16	1595cc	Pickup (720)	SD22	2164cc
240Z	L24	2393cc		Z22	2181cc
610	L18	1770cc	Sentra	E15S	1488cc
1200	A12	1237cc	Stanza	CA20S	1974cc
1974			200SX	Z22E	2181cc
B210	A13	1288cc	210	A12A	1237cc
Pickup (620)	L18	1770cc		A14	1397cc
260Z	L26	2565cc		A15	1488cc
610	L20B	1952cc	280ZX	L28E,L28ET	2753cc
710	L18	1777cc	310	E15	1488cc
1975			1983		
B210	A14	1397cc	Maxima	LD28	2793cc
Pickup (620)	L20B	1952cc		L24E	2393cc
280Z	L28E	2753cc	Pickup (720)	SD25	2488cc
610, 710	L20B	1952cc		Z20	1952cc
1976				Z24	2389cc
B210, F10	A14	1397cc	Pulsar	E15T	1487cc
Pickup (620)	L20B	1952cc		E16	1597cc
280Z	L28E	2753cc	Sentra	CD17	1680cc
610,710	L20B	1952cc		E15S	1488cc
1977				E16	1597cc
B210, F10	A14	1397cc	Stanza	CA20S	1974cc
Pickup (620), 200SX	L20B	1952cc	200SX	Z22E	2187cc
280Z	L28E	2753cc	280ZX	L28E,L28ET	2753cc
710	L20B	1952cc	1984		
810	L24E	2393cc	Maxima	L24E	2393cc
1978			Pickup (720)	SD25	2488cc
B210, F10	A14	1397cc		Z20	1952cc
Pickup (620), 200SX	L20B	1952cc		Z24	2389cc
280Z	L28E	2753cc	Pulsar	E16	1597cc
510	L20B	1952cc	Sentra	CD17	1680cc
810	L24E	2393cc		E16	1597cc
1979			Stanza	CA20E	1974cc
Pickup (620), 200SX	L20B	1952cc	200SX	CA18ET	1809cc
210	A14	1397cc		CA20E	1974cc
	A15	1488cc	300ZX	VG30E,VG30ET	2960cc
280ZX	L28E	2753cc	1985		
310	A14	1397cc	Maxima	VG30E	2960cc
510	L20B	1952cc	Pickup (720)	SD25	2488cc
810	L24E	2393cc		Z20	1952cc
1980				Z24	2389cc
Pickup (720)	L20B	1952cc	Pulsar	E16	1597cc
200SX	Z20E	1952cc	Sentra	CD17	1680cc
210	A12A	1237cc		E16	1597cc
	A14	1397cc	Stanza	CA20E	1974cc
	A15	1488cc	200SX	CA18ET	1809cc
280ZX	L28E	2753cc		CA20E	1974cc
310	A14	1397cc	300ZX	VG30E,VG30ET	2960cc
510	Z20S	1952cc	1986		
810	L24E	2393cc	Maxima	VG30E	2960cc
1981			Pickup		
Maxima, 810	LD28	2753cc	D21 Ser	Z24i	2389cc
	L24E	2393cc		VG30i	2960cc
Pickup (720)	SD22	2164cc	720 Ser	SD25	2488cc
	Z22	2181cc		Z20	1952cc
200SX	Z20E	1952cc		Z24,Z24i	2389cc
210	A12A	1237cc	Pulsar	E16	1597cc
	A14	1397cc	Sentra	CD17	1680cc
	A15	1488cc		E16	1597cc
280ZX	L28E	2753cc	Stanza	CA20E	1974cc
310	A15	1488cc	200SX	CA18ET	1809cc
510	Z20S	1952cc		CA20E	1974cc
1982			300ZX	VG30E,VG30ET	2960cc
Maxima	LD28	2753cc	1987		
	L24E	2393cc	Maxima	VG30E	2960cc

MODEL REFERENCE (Cont.)

YEAR & MODEL	ENGINE	DISPLACEMENT	YEAR & MODEL	ENGINE	DISPLACEMENT
1987 Cont.			1992 Cont.		
Pathfinder, Pickup	Z24i	2389cc	300ZX	VG30DE, VG30DETT	2960cc
	VG30i	2960cc			
Pulsar	CA16DE	1598cc	1993		
	E16i	1597cc	Altima	KA24DE	2389cc
Sentra	E16i,E16S	1597cc	Maxima	VE30DE,VG30E	2960cc
Stanza	CA20E	1974cc	NX	GA16DE	1597cc
Van	Z24i	2389cc		SR20DE	1998cc
200SX	CA20E	1974cc	Pathfinder	VG30E	2960cc
	VG30E	2960cc	Pickup	KA24E	2389cc
300ZX	VG30E,VG30ET	2960cc		VG30E	2960cc
1988			Quest	VG30E	2960cc
Maxima	VG30E	2960cc	Sentra	GA16DE	1597cc
Pathfinder	VG30i	2960cc		SR20DE	1998cc
Pickup	Z24i	2389cc	240SX	KA24DE	2389cc
	VG30i	2960cc	300ZX	VG30DE,VG30DETT	2960cc
Pulsar	CA18DE	1809cc	1994-95		
	E16i	1597cc	Altima	KA24DE	2389cc
Sentra	E16i	1597cc	Maxima	VE30DE,VG30E	2960cc
Stanza	CA20E	1974cc	Pathfinder	VG30E	2960cc
Van	Z24i	2389cc	Pickup	KA24E	2389cc
200SX	CA20E	1974cc		VG30E	2960cc
	VG30E	2960cc	Quest	VG30E	2960cc
300ZX	VG30E,VG30ET	2960cc	Sentra, 200SX	GA16DE	1597cc
1989				SR20DE	1998cc
Maxima	VG30E	2960cc	240SX	KA24DE	2389cc
Pathfinder	VG30i	2960cc	300ZX	VG30DE, VG30DETT	2960cc
Pickup	Z24i	2389cc			
	VG30i	2960cc	1996		
Pulsar	CA18DE	1809cc	Altima	KA24DE	2389cc
	GA16i	1597cc	Maxima	VQ30DE	2960cc
Sentra	GA16i	1597cc	Pathfinder	VG33E	3300cc
Stanza	CA20E	1974cc	Pickup	KA24E	2389cc
Van	Z24i	2389cc	Quest	VG30E	2960cc
240SX	KA24E	2389cc	Sentra, 200SX	GA16DE	1597cc
300ZX	VG30E,VG30ET	2960cc		SR20DE	1998cc
1990			240SX	KA24DE	2389cc
Axxess	KA24E	2389cc	300ZX	VG30DE, VG30DETT	2960cc
Maxima	VG30E	2960cc			
Pathfinder	VG30E	2960cc	1997-99		
Pickup	KA24E	2389cc	Altima	KA24DE	2389cc
	VG30E	2960cc	Frontier	KA24DE	2389cc
Pulsar	GA16i	1597cc	Maxima	VQ30DE	2960cc
Sentra	GA16i	1597cc	Pathfinder	VG33E	3300cc
Stanza	KA24E	2389cc	Pickup	KA24E	2389cc
240SX	KA24E	2389cc	Quest	VG30E	2960cc
300ZX	VG30DE	2960cc	Sentra,	GA16DE	1597cc
	VG30DETT	2960cc		SR20DE	1998cc
1991			240SX	KA24DE	2389cc
Maxima	VG30E	2960cc	2000		
NX	GA16DE	1597cc	Altima	KA24DE	2389cc
	SR20DE	1998cc	Frontier	KA24DE	2389cc
Pathfinder	VG30E	2960cc	Maxima	VQ30DE	2960cc
Pickup	KA24E	2389cc	Pathfinder	VG33E	3300cc
	VG30E	2960cc	Pickup	KA24E	2389cc
Sentra	GA16E	1597cc	Quest	VG30E	2960cc
	SR20DE	1998cc	Sentra	GA16DE	1597cc
Stanza	KA24E	2389cc		SR20DE	1998cc
240SX	KA24DE	2389cc	Xterra	KA24DE	2389cc
300ZX	VG30DE	2960cc		VG33E	3300cc
	VG30DETT	2960cc	2001		
1992			Altima	KA24DE	2389cc
Maxima	VE30DE,VG30E	2960CC	Frontier	KA24DE	2389cc
NX	GA16DE	1597cc		VG33E	3300cc
	SR20DE	1998cc	Maxima	VQ30DE	2960cc
Pathfinder	VG30E	2960cc	Pathfinder	VQ35DE	3498cc
Pickup	KA24E	2389cc	Quest	VG33E	3300cc
	VG30E	2960cc	Sentra	QG18DE	1809cc
Sentra	GA16DE	1597cc		SR20DE	1998cc
	SR20DE	1998cc	Xterra	KA24DE	2389cc
Stanza	KA24E	2389cc		VG33E	3300cc
240SX	KA24DE	2389cc			

Cont.

MODEL REFERENCE

YEAR & MODEL	ENGINE	DISPLACEMENT	YEAR & MODEL	ENGINE	DISPLACEMENT
2002			2006-07		
Altima	QR25DE	2500cc	350Z	VQ35DE	3.5L
	VQ35DE	3498cc	Altima	QR25DE	2.5L
Frontier	KA24DE	2389cc		VQ35DE	3.5L
	VG33E	3300cc	Armada	VK56DE	5.6L
	VG33ER	3300cc	Frontier	QR25DE	2.5L
Maxima	VQ35DE	3498cc		VQ40DE	4.0L
Pathfinder	VQ35DE	3498cc	Maxima	VQ35DE	3.5L
Quest	VG33E	3300cc	Murano	VQ35DE	3.5L
Sentra	QG18DE	1809cc	Pathfinder	VQ40DE	4.0L
	QR25DE	2500cc	Quest	VQ35DE	3.5L
Xterra	KA24DE	2389cc	Sentra (06)	QG18DE	1.8L
	VG33E	3300cc		QR25DE	2.5L
	VG33ER	3300cc	Sentra (07)	MR20DE	2.0L
2003			Titan	VK56DE	5.6L
350Z	VQ35DE	3.5L	Versa	MR18DE	1.8L
Altima	QR25DE	2.5L	Xterra	VQ40DE	4.0L
	VQ35DE	3.5L			
Frontier	KA24DE	2.4L			
	VG33E	3.3L			
	VG33ER	3.3L			
Maxima	VQ35DE	3.5L			
Murano	VQ35DE	3.5L			
Pathfinder	VQ35DE	3.5L			
Sentra	QG18DE	1.8L			
	QR25DE	2.5L			
Xterra	KA24DE	2.4L			
	VG33E	3.3L			
	VG33ER	3.3L			
2004					
350Z	VQ35DE	3.5L			
Altima	QR25DE	2.5L			
	VQ35DE	3.5L			
Armada	VK56DE	5.6L			
Frontier	KA24DE	2.4L			
	VG33E	3.3L			
	VG33ER	3.3L			
Maxima	VQ35DE	3.5L			
Murano	VQ35DE	3.5L			
Pathfinder	VQ35DE	3.5L			
Quest	VQ35DE	3.5L			
Sentra	QG18DE	1.8L			
	QR25DE	2.5L			
Titan	VK56DE	5.6L			
Xterra	KA24DE	2.4L			
	VG33E	3.3L			
	VG33ER	3.3L			
2005					
350Z	VQ35DE	3.5L			
Altima	QR25DE	2.5L			
	VQ35DE	3.5L			
Armada	VK56DE	5.6L			
Frontier	QR25DE	2.5L			
	VQ40DE	4.0L			
Maxima	VQ35DE	3.5L			
Murano	VQ35DE	3.5L			
Pathfinder	VQ40DE	4.0L			
Quest	VQ35DE	3.5L			
Sentra	QG18DE	1.8L			
	QR25DE	2.5L			
Titan	VK56DE	5.6L			
Xterra	VQ40DE	4.0L			

ENGINE IDENTIFICATION NUMBER LOCATION

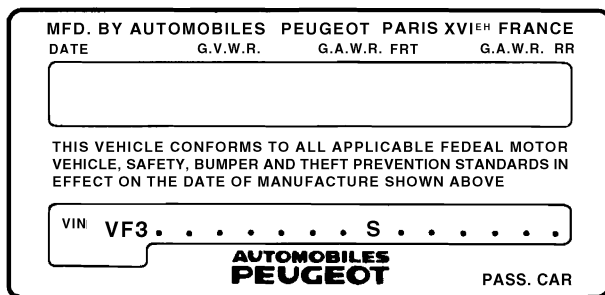
On right side of Cylinder Block.

IDENTIFICATION

IDENTIFICATION NUMBER OR PLATE LOCATION

405

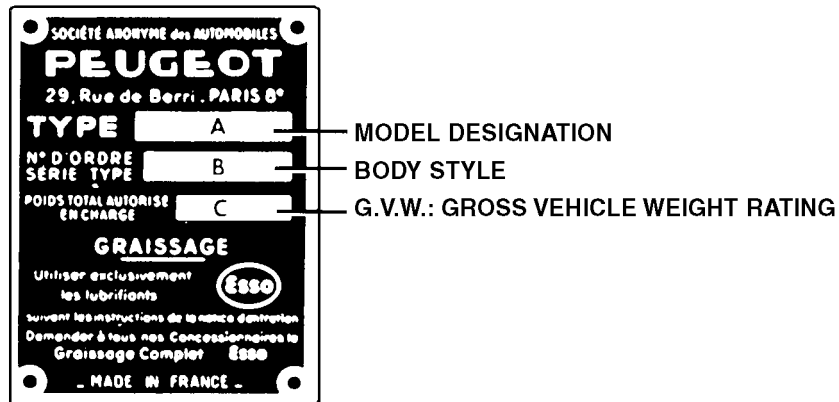
The Vehicle Identification Number is located on the certification plate attached to the driver's side door. The Vehicle Identification Number is also stamped on a metal plate that is attached to the left upper dash panel, visible through windshield.



70D03142

504, 505, 604

The Vehicle Identification Plate is located in the engine compartment on top of the right side fender panel.



70F03143

IDENTIFICATION

MODEL REFERENCE

YEAR	MODEL	ENGINE	FUEL SYSTEM
1973	504	Four Gas 1971cc (2.0 Litre)	Carburetion
1974-76	504	Four Diesel 2112cc (2.1 Litre)	Mech Fuel Injection
		Four Gas 1971cc (2.0 Litre)	Carburetion
1977	504	Four Diesel 2304cc (2.3 Litre)	Mech Fuel Injection
		Four Gas 1971cc (2.0 Litre)	Carburetion
	604	V6 Gas 2664cc (2.7 Litre)	Carburetion
1978-79	504	Four Diesel 2304cc (2.3 Litre)	Mech Fuel Injection
		Four Gas 2112cc (2.1 Litre)	Carburetion
	604	V6 Gas 2849cc (2.8 Litre)	Carburetion
1980-81	504	Four Diesel 2304cc (2.3 Litre)	Mech Fuel Injection
	505	Four Gas 1971cc (2.0 Litre)	K-Jetronic Fuel Injection
1982-83	504	Four Diesel 2304cc (2.3 Litre)	Mech Fuel Injection
	505	Four Diesel 2304cc (2.3 Litre)	Mech Fuel Injection
		Four Gas 1971cc (2.0 Litre)	K-Jetronic Fuel Injection
	604	Four Diesel 2304cc (2.3 Litre)	Mech Fuel Injection
1984	505	Four Diesel 2304cc (2.3 Litre)	Mech Fuel Injection
		Four Gas 1971cc (2.0 Litre)	K-Jetronic Fuel Injection
	604	Four Diesel 2304cc (2.3 Litre)	Mech Fuel Injection
1985-87	505	Four Diesel 2304cc (2.3 Litre)	Mech Fuel Injection
		Four Diesel 2498cc (2.5 Litre)	Mech Fuel Injection
		Four Gas 1971cc (2.0 Litre)	K-Jetronic Fuel Injection
		Four Gas 2155cc (2.2 Litre)	K-Jetronic Fuel Injection
1988	505	Four Gas 2165cc (2.2 Litre)	LU-Jetronic Fuel Injection
		V6 Gas 2849cc (2.8 Litre)	LH-Jetronic Fuel Injection
1989	405	Four 1.9 Litre 8 Valve	Motronic Fuel Injection
		Four 1.9 Litre 16 Valve	Motronic Fuel Injection
	505	Four 2.2 Litre	LU-Jetronic Fuel Injection
		V6 2.8 Litre	LH-Jetronic Fuel Injection
1990	405	Four 1.9 Litre 8 Valve	Motronic Fuel Injection
		Four 1.9 Litre 16 Valve	Motronic Fuel Injection
1991	405	Four 1.9 Litre 8 Valve	Motronic Fuel Injection
		Four 1.9 Litre 16 Valve	Motronic Fuel Injection
	505	Four 2.2 Litre 8 Valve	LU-Jetronic Fuel Injection

ENGINE IDENTIFICATION NUMBER LOCATION

405

Two plates riveted on cylinder block are used to identify the engine.

DFV = 8 Valve Eng
 DFW = 16 Valve Eng

504,505,604

Diesel - Number is stamped on left side of engine block below cylinder head.
 Gas - Number is stamped on camshaft tunnel near starter.

IDENTIFICATION

PORSCHE

PORSCHE 911, 912, 914 & 930

MODEL IDENTIFICATION NUMBER OR PLATE LOCATION

Carrera GT - N.A.

911 - 73-98 - Identification number is located on the driver's side windshield post. It can also be found inside the front luggage compartment under rug and to the right of the hood latch.

99-2005 - Identification number is located on the left windshield pillar.

912, 930 - Identification number is located on the driver's side windshield post. It can also be found inside the front luggage compartment under rug and to the right of the hood latch.

914 - Identification number is located on the driver's side windshield post. It can also be found inside the front luggage compartment on the right front wheel well and on the right headlamp housing.

MODEL REFERENCE

YEAR & MODEL	STARTING CHASSIS #	ENGINE	DISPLACEMENT	FUEL SYSTEM	TRANS TYPE
1973					
911E					
Coupe	9113200001	Six	2.4 Litre	Mech F.I.	4 & 5 Spd Std, Auto
Targa	9113210001	Six	2.4 Litre	Mech F.I.	4 & 5 Spd Std, Auto
911S					
Coupe	9113300001	Six	2.4 Litre	Mech F.I.	4 & 5 Spd Std, Auto
Targa	9113310001	Six	2.4 Litre	Mech F.I.	4 & 5 Spd Std, Auto
911T					
Coupe	9113100001	Six	2.4 Litre	Mech F.I., Continuous F.I. (Bosch K-Jetronic)	4 & 5 Spd Auto
Targa	9113110001	Six	2.4 Litre	Mech F.I., Continuous F.I. (Bosch K-Jetronic)	4 & 5 Spd Auto
914	4732900001	Four	1.7 Litre 2.0 Litre	Elect F.I. (Bosch D-Jetronic)	5 Spd Std
1974					
911					
Coupe	9114100001	Six	2.7 Litre	Continuous F.I. (Bosch K-Jetronic)	4 & 5 Spd Std, Auto
Targa	9114110001	Six	2.7 Litre	Continuous F.I. (Bosch K-Jetronic)	4 & 5 Spd Std, Auto
911 Carrera					
Coupe	9114400001	Six	2.7 Litre	Continuous F.I. (Bosch K-Jetronic)	4 & 5 Spd Std, Auto
Targa	9114410001	Six	2.7 Litre	Continuous F.I. (Bosch K-Jetronic)	4 & 5 Spd Std, Auto
911S					
Coupe	9114300001	Six	2.7 Litre	Continuous F.I. (Bosch K-Jetronic)	4 & 5 Spd Std, Auto
Targa	9114310001	Six	2.7 Litre	Continuous F.I. (Bosch K-Jetronic)	4 & 5 Spd Std, Auto
914	4742900001	Four	1.8 Litre 2.0 Litre	Continuous F.I. (Bosch L-Jetronic) Elect F.I. (Bosch D-Jetronic)	5 Spd Std 5 Spd Std
1975					
911 Carrera					
Coupe	9115400001	Six	2.7 Litre	Continuous F.I. (Bosch K-Jetronic)	5 Spd Std, Auto
Targa	9115410001	Six	2.7 Litre	Continuous F.I. (Bosch K-Jetronic)	5 Spd Std, Auto
911S					
Coupe	9115200001	Six	2.7 Litre	Continuous F.I. (Bosch K-Jetronic)	4 & 5 Spd Std, Auto
Targa	9115210001	Six	2.7 Litre	Continuous F.I. (Bosch K-Jetronic)	4 & 5 Spd Std, Auto
914	4752900001	Four	1.8 Litre 2.0 Litre	Continuous F.I. (Bosch L-Jetronic) Elect F.I. (Bosch D-Jetronic)	5 Spd Std 5 Spd Std
1976					
911S					
Coupe	9116200001	Six	2.7 Litre	Continuous F.I. (Bosch K-Jetronic)	5 Spd Std, Auto
Targa	9116210001	Six	2.7 Litre	Continuous F.I. (Bosch K-Jetronic)	5 Spd Std, Auto
912E	9126000001	Four	2.0 Litre	Continuous F.I. (Bosch L-Jetronic)	5 Spd Std
914	4762900001	Four	1.8 Litre 2.0 Litre	Continuous F.I. (Bosch L-Jetronic) Elect F.I. (Bosch D-Jetronic)	5 Spd Std 5 Spd Std
930	9306800001	Six	3.0 Litre	Continuous F.I. (Bosch K-Jetronic)	4 Spd Std
1977					
911S					
Coupe	9117200001	Six	2.7 Litre	Continuous F.I. (Bosch K-Jetronic)	5 Spd Std, Auto
Targa	9117210001	Six	2.7 Litre	Continuous F.I. (Bosch K-Jetronic)	5 Spd Std, Auto
930	9307800001	Six	3.0 Litre	Continuous F.I. (Bosch K-Jetronic)	5 Spd Std, Auto
930	9307800001	Six	3.0 Litre	Continuous F.I. (Bosch K-Jetronic)	4 Spd Std
1978					
911SC					
Coupe	9118200001	Six	3.0 Litre	Continuous F.I. (Bosch K-Jetronic)	5 Spd Std
Targa	9118210001	Six	3.0 Litre	Continuous F.I. (Bosch K-Jetronic)	5 Spd Std
930	9308800001	Six	3.3 Litre	Continuous F.I. (Bosch K-Jetronic)	4 Spd Std

Cont.

IDENTIFICATION

PORSCHE (Cont.)
MODEL REFERENCE (Cont.)

YEAR & MODEL	STARTING CHASSIS #	ENGINE	DISPLACEMENT	FUEL SYSTEM	TRANS TYPE
1979					
911SC					
Coupe	9119200001	Six	3.0 Litre	Continuous F.I. (Bosch K-Jetronic)	5 Spd Std
Targa	9119210001	Six	3.0 Litre	Continuous F.I. (Bosch K-Jetronic)	5 Spd Std
930	9309700001	Six	3.3 Litre	Continuous F.I. (Bosch K-Jetronic)	4 Spd Std
1980 (911SC)					
Coupe	91AO140001	Six	3.0 Litre	Continuous F.I. (Bosch K-Jetronic)	5 Spd Std
Targa	91AO140001	Six	3.0 Litre	Continuous F.I. (Bosch K-Jetronic)	5 Spd Std
1981 (911SC)					
Coupe	91BS120001	Six	3.0 Litre	Continuous F.I. (Bosch K-Jetronic)	5 Spd Std
Targa	91BS160001	Six	3.0 Litre	Continuous F.I. (Bosch K-Jetronic)	5 Spd Std
1982 (911SC)					
Coupe	91CS120001	Six	3.0 Litre	Continuous F.I. (Bosch K-Jetronic)	5 Spd Std
Targa	91CS160001	Six	3.0 Litre	Continuous F.I. (Bosch K-Jetronic)	5 Spd Std
1983 (911SC)					
Cabriolet	91DS170001	Six	3.0 Litre	Continuous F.I. (Bosch K-Jetronic)	5 Spd Std
Coupe	91DS120001	Six	3.0 Litre	Continuous F.I. (Bosch K-Jetronic)	5 Spd Std
Targa	91DS160001	Six	3.0 Litre	Continuous F.I. (Bosch K-Jetronic)	5 Spd Std
1984					
911 Carrera					
Cabriolet	91ES170001	Six	3.2 Litre	DME Bosch L-Jetronic	5 Spd Std
Coupe	91ES120001	Six	3.2 Litre	DME Bosch L-Jetronic	5 Spd Std
Targa	91ES160001	Six	3.2 Litre	DME Bosch L-Jetronic	5 Spd Std
1985					
911 Carrera					
Cabriolet	91FS170001	Six	3.2 Litre	DME Bosch L-Jetronic	5 Spd Std
Coupe	91FS120001	Six	3.2 Litre	DME Bosch L-Jetronic	5 Spd Std
Targa	91FS160001	Six	3.2 Litre	DME Bosch L-Jetronic	5 Spd Std
1986-87					
911 Carrera					
Cabriolet	91GS170001	Six	3.2 Litre	DME Bosch L-Jetronic	5 Spd Std
Coupe	91GS120001	Six	3.2 Litre	DME Bosch L-Jetronic	5 Spd Std
Targa	91GS160001	Six	3.2 Litre	DME Bosch L-Jetronic	5 Spd Std
911 Turbo	93GS050001	Six	3.3 Litre	Continuous F.I. (Bosch K-Jetronic)	4 Spd Std
1988					
911 Carrera					
Cabriolet	91JS170001	Six	3.2 Litre	DME Bosch L-Jetronic	5 Spd Std
Coupe	91JS120001	Six	3.2 Litre	DME Bosch L-Jetronic	5 Spd Std
Targa	91JS160001	Six	3.2 Litre	DME Bosch L-Jetronic	5 Spd Std
911 Turbo					
Cabriolet	93JS070001	Six	3.3 Litre	Continuous F.I. (Bosch K-Jetronic)	4 Spd Std
Coupe	93JS050001	Six	3.3 Litre	Continuous F.I. (Bosch K-Jetronic)	4 Spd Std
Targa	93JS060001	Six	3.3 Litre	Continuous F.I. (Bosch K-Jetronic)	4 Spd Std
1989					
911 Carrera					
Cabriolet	91KS170001	Six	3.2 Litre	DME Bosch L-Jetronic	5 Spd Std
Coupe	91KS120001	Six	3.2 Litre	DME Bosch L-Jetronic	5 Spd Std
Targa	91KS160001	Six	3.2 Litre	DME Bosch L-Jetronic	5 Spd Std
911 Carrera 4	96KS450061	Six	3.6 Litre	DME Bosch L-Jetronic	5 Spd, Std, 4 Spd Auto
911 Turbo					
Cabriolet	93KS070001	Six	3.3 Litre	Continuous F.I. (Bosch K-Jetronic)	5 Spd Std
Coupe	93KS050001	Six	3.3 Litre	Continuous F.I. (Bosch K-Jetronic)	5 Spd Std
Targa	93KS060001	Six	3.3 Litre	Continuous F.I. (Bosch K-Jetronic)	5 Spd Std
1990					
911 Carrera 2					
Cabriolet	96LS470001	Six	3.6 Litre	DME Bosch L-Jetronic	5 Spd Std
Coupe	96LS450001	Six	3.6 Litre	DME Bosch L-Jetronic	5 Spd Std
Targa	96LS460001	Six	3.6 Litre	DME Bosch L-Jetronic	5 Spd Std

IDENTIFICATION

PORSCHE

PORSCHE (Cont.)
MODEL REFERENCE (Cont.)

YEAR & MODEL	STARTING CHASSIS #	ENGINE	DISPLACEMENT	FUEL SYSTEM	TRANS TYPE
1990 (Cont.)					
911 Carrera 4					
Cabriolet	96LS470001	Six	3.6 Litre	DME Bosch L-Jetronic	5 Spd Std
Coupe	96LS450001	Six	3.6 Litre	DME Bosch L-Jetronic	5 Spd Std
Targa	96LS460001	Six	3.6 Litre	DME Bosch L-Jetronic	5 Spd Std
1991					
911 Carrera 2					
Cabriolet	96MS460001	Six	3.6 Litre	DME Bosch L-Jetronic	5 Spd Std,4 Spd Auto
Coupe	96MS410001	Six	3.6 Litre	DME Bosch L-Jetronic	5 Spd Std,4 Spd Auto
Targa	96MS440001	Six	3.6 Litre	DME Bosch L-Jetronic	5 Spd Std,4 Spd Auto
911 Carrera 4					
Cabriolet	96MS460001	Six	3.6 Litre	DME Bosch L-Jetronic	5 Spd Std
Coupe	96MS410001	Six	3.6 Litre	DME Bosch L-Jetronic	5 Spd Std
Targa	96MS440001	Six	3.6 Litre	DME Bosch L-Jetronic	5 Spd Std
911 Turbo	96MS480001	Six	3.3 Litre	Bosch K-Jetronic	5 Spd Std
1992					
911 Carrera 2					
Cabriolet	96NS460061	Six	3.6 Litre	DME Bosch L-Jetronic	5 Spd Std,4 Spd Auto
Coupe	96NS420061	Six	3.6 Litre	DME Bosch L-Jetronic	5 Spd Std,4 Spd Auto
RS	96NS490061	Six	3.6 Litre	DME Bosch L-Jetronic	5 Spd Std
911 Carrera 4					
Cabriolet	96NS460061	Six	3.6 Litre	DME Bosch L-Jetronic	5 Spd Std
Coupe	96NS420061	Six	3.6 Litre	DME Bosch L-Jetronic	5 Spd Std
Targa	96NS440061	Six	3.6 Litre	DME Bosch L-Jetronic	5 Spd Std
911 Turbo	96NS480061	Six	3.3 Litre	Bosch K-Jetronic	5 Spd Std
1993					
911 America	N.A.	Six	3.6 Litre	DME Bosch L-Jetronic	5 Spd Std,4 Spd Auto
911 Carrera 2					
Cabriolet	96PS460061	Six	3.6 Litre	DME Bosch L-Jetronic	5 Spd Std,4 Spd Auto
Coupe	96PS420061	Six	3.6 Litre	DME Bosch L-Jetronic	5 Spd Std,4 Spd Auto
Targa	96PS440061	Six	3.6 Litre	DME Bosch L-Jetronic	5 Spd Std,4 Spd Auto
911 Carrera 4					
Cabriolet	96PS460061	Six	3.6 Litre	DME Bosch L-Jetronic	5 Spd Std
Coupe	96PS420061	Six	3.6 Litre	DME Bosch L-Jetronic	5 Spd Std
Targa	96PS440061	Six	3.6 Litre	DME Bosch L-Jetronic	5 Spd Std
911 RS					
America	96PS419061	Six	3.6 Litre	DME Bosch L-Jetronic	5 Spd Std
1994					
911 Carrera 2					
Cabriolet	96RS460061	Six	3.6 Litre	DME Bosch L-Jetronic	5 Spd Std,4 Spd Auto
Coupe	96RS420061	Six	3.6 Litre	DME Bosch L-Jetronic	5 Spd Std,4 Spd Auto
RS America	96RS410061	Six	3.6 Litre	DME Bosch L-Jetronic	5 Spd Std
Speedster	96RS465061	Six	3.6 Litre	DME Bosch L-Jetronic	5 Spd Std,4 Spd Auto
911 Carrera 4	96RS420061	Six	3.6 Litre	DME Bosch L-Jetronic	5 Spd Std
911 Turbo	96RS480061	Six	3.6 Litre	DME Bosch L-Jetronic	5 Spd Std
1995					
911 Carrera 2					
Cabriolet	99SS330061	Six	3.6 Litre	DME Bosch L-Jetronic	6 Spd Std,4 Spd Auto
Coupe	99SS310061	Six	3.6 Litre	DME Bosch L-Jetronic	6 Spd Std,4 Spd Auto
911 Carrera 4					
Cabriolet	99SS330061	Six	3.6 Litre	DME Bosch L-Jetronic	6 Spd Std
Coupe	99SS310061	Six	3.6 Litre	DME Bosch L-Jetronic	6 Spd Std
1996					
911 Carrera 2					
Cabriolet	99TS330061	Six	3.6 Litre	DME Bosch L-Jetronic	6 Spd Std,4 Spd Auto
Coupe	99TS320061	Six	3.6 Litre	DME Bosch L-Jetronic	6 Spd Std,4 Spd Auto
Targa	99TS385061	Six	3.6 Litre	DME Bosch L-Jetronic	6 Spd Std,4 Spd Auto
911 Carrera 4					
Cabriolet	99TS330061	Six	3.6 Litre	DME Bosch L-Jetronic	6 Spd Std
Coupe	99TS320061	Six	3.6 Litre	DME Bosch L-Jetronic	6 Spd Std
Targa	99TS385061	Six	3.6 Litre	DME Bosch L-Jetronic	6 Spd Std
911 Turbo	99TS375061	Six	3.6 Litre	DME Bosce L-Jetronic	6 Spd Std

Cont.

IDENTIFICATION

**PORSCHE (Cont.)
MODEL REFERENCE (Cont.)**

YEAR & MODEL	STARTING CHASSIS #	ENGINE	DISPLACEMENT	FUEL SYSTEM	TRANS TYPE
1997					
911 Carrera 2					
Cabrio	99VS340061	Six	3.6 Litre	DME Bosch L-Jetronic	6 Spd Std, 4 Spd Auto
Coupe	99VS320061	Six	3.6 Litre	DME Bosch L-Jetronic	6 Spd Std, 4 Spd Auto
Targa	99VS385061	Six	3.6 Litre	DME Bosch L-Jetronic	6 Spd Std, 4 Spd Auto
911 Carrera 4					
Cabrio	99VS340061	Six	3.6 Litre	DME Bosch L-Jetronic	6 Spd Std
Coupe	99VS320061	Six	3.6 Litre	DME Bosch L-Jetronic	6 Spd Std
911 Turbo	99VS375061	Six	3.6 Litre	DME Bosch L-Jetronic	6 Spd Std
1998					
911 Carrera 2					
Cabrio	99WS340061	Six	3.6 Litre	DME Bosch L-Jetronic	6 Spd Std, 4 Spd Auto
Coupe	99WS320061	Six	3.6 Litre	DME Bosch L-Jetronic	6 Spd Std, 4 Spd Auto
Targa	99WS385061	Six	3.6 Litre	DME Bosch L-Jetronic	6 Spd Std, 4 Spd Auto
911 Carrera 4					
Cabrio	99WS340061	Six	3.6 Litre	DME Bosch L-Jetronic	6 Spd Std
Coupe	99WS320061	Six	3.6 Litre	DME Bosch L-Jetronic	6 Spd Std
1999-2003					
911 Carrera 2					
Cabrio	N.A.	Six	3.4 Litre	Bosch L-Jetronic	6 Spd Std, 5 Spd Auto
Coupe	N.A.	Six		Bosch L-Jetronic	6 Spd Std, 5 Spd Auto
911 Carrera 4					
Cabrio	N.A.	Six	3.4 Litre	Bosch L-Jetronic	6 Spd Std, 5 Spd Auto
Coupe	N.A.	Six	3.4 Litre	Bosch L-Jetronic	6 Spd Std, 5 Spd Auto
911 Carrera Turbo	N.A.	Six	3.6 Litre	Bosch ME-7.8	6 Spd Std, 5 Spd Auto
2004					
911		H6	3.6 Litre	Bosch ME-7.8	6 Spd Std, 5 Spd Auto
		H6	3.6 Litre	Bosch Motronic	6 Spd Std, 5 Spd Auto
		H6	3.6 Litre Turbo	Bosch ME-7.8	6 Spd Std, 5 Spd Auto
Carrera GT		Ten	5.7 Litre	Bosch ME-7	6 Spd Std
2005					
911		H6	3.6 Litre	Bosch ME-7.8	6 Spd Std, 5 Spd Auto
		H6	3.6 Litre	Bosch Motronic	6 Spd Std, 5 Spd Auto
		H6	3.8 Litre	Bosch Motronic	6 Spd Std
Carrera GT		Ten	5.7 Litre	Bosch ME-7.8	6 Spd Std
2006					
911		H6	3.6 Litre	Bosch Motronic	6 Spd Std, 5 Spd Auto
		H6	3.8 Litre	Bosch Motronic	6 Spd Std, 5 Spd Auto
2007					
911		H6	3.6 Litre	Bosch ME-7.8	6 Spd Std
		H6	3.8 Litre	Bosch Motronic	6 Spd Std, 5 Spd Auto

ENGINE IDENTIFICATION NUMBER LOCATION

- 911** - 73-98 - Identification number is located on the blower fan support.
99-2001 - Not available at time of publication.
- 912** - Identification number is located on the cylinder block below the generator support base.
- 914** - Identification number is located on the upper left side of the crankcase or on the upper part of the crankcase between the oil filler neck and blower housing.
- 930** - Identification number is located on the blower fan support.

IDENTIFICATION

ENGINE IDENTIFICATION CODES

YEAR & MODEL	ENGINE	STARTING ENGINE NUMBER
1973		
911E,911S,911T	Six 2.4 Litre	N.A.
914		
w/Calif E.C.S.	Four 1.7 Litre	EB0000001
w/o Calif E.C.S.	Four 1.7 Litre	EA0057001
	Four 2.0 Litre	GA0000001
1974		
911		
Std Trans	Six 2.7 Litre	6140001
Auto Trans	Six 2.7 Litre	6149001
911 Carrera,911S		
Std Trans	Six 2.7 Litre	6340001
Auto Trans	Six 2.7 Litre	6349001
914	Four 1.8 Litre	EC0000001
	Four 2.0 Litre	GA0006766
1975		
911 Carrera,911S		
Std Trans		
w/Calif E.C.S.	Six 2.7 Litre	6550001
w/o Calif E.C.S.	Six 2.7 Litre	6450001
Auto Trans		
w/Calif E.C.S.	Six 2.7 Litre	6559001
w/o Calif E.C.S.	Six 2.7 Litre	6459001
914	Four 1.8 Litre	EC0037552
	Four 2.0 Litre	GC0000001
1976		
911S		
Std Trans		
w/Calif E.C.S.	Six 2.7 Litre	6560001
w/o Calif E.C.S.	Six 2.7 Litre	6460001
Auto Trans		
w/Calif E.C.S.	Six 2.7 Litre	6569001
w/o Calif E.C.S.	Six 2.7 Litre	6469001
912E	Four 2.0 Litre	4060001
914	Four 1.8 Litre	EC0045073
	Four 2.0 Litre	GC0002925
930	Six 3.0 Litre	6860001
1977		
911S		
Std Trans	Six 2.7 Litre	6270001
Auto Trans	Six 2.7 Litre	6279001
930	Six 3.0 Litre	6870001
1978		
911SC		
w/Calif E.C.S.	Six 3.0 Litre	6580001
w/o Calif E.C.S.	Six 3.0 Litre	6280001
930		
w/Calif E.C.S.	Six 3.3 Litre	6881001
w/o Calif E.C.S.	Six 3.3 Litre	6880001
1979		
911SC		
w/Calif E.C.S.	Six 3.0 Litre	6590001
w/o Calif E.C.S.	Six 3.0 Litre	6290001
930		
w/Calif E.C.S.	Six 3.3 Litre	6891001
w/o Calif E.C.S.	Six 3.3 Litre	6890001
1980 (911SC)	Six 3.0 Litre	6400001
1981 (911SC)	Six 3.0 Litre	6410001
1982 (911SC)	Six 3.0 Litre	64C0001
1983 (911SC)	Six 3.0 Litre	64D0001
1984 (911 Carrera)	Six 3.2 Litre	64E00001
1985 (911 Carrera)	Six 3.2 Litre	64F00001
1986-87		
911 Carrera	Six 3.2 Litre	64G00001
911 Turbo	Six 3.3 Litre	68G00001

IDENTIFICATION

**PORSCHE (Cont.)
 ENGINE IDENTIFICATION CODES**

YEAR & MODEL	ENGINE	STARTING ENGINE NUMBER
1988		
911 Carrera	Six 3.2 Litre	64J00001
911 Turbo	Six 3.3 Litre	68J00001
1989		
911 Carrera 2	Six 3.2 Litre	64K00001
911 Carrera 4	Six 3.6 Litre	62K00501
911 Turbo	Six 3.3 Litre	68K00001
1990		
911 Carrera 2	Six 3.6 Litre	64L00001
911 Carrera 4	Six 3.6 Litre	64L00001
1991		
911 Carrera 2	Six 3.6 Litre	62M00001
911 Carrera 4	Six 3.6 Litre	62M00001
911 Turbo	Six 3.3 Litre	61M00001
1992		
911 Carrera 2	Six 3.6 Litre	62M00001
911 Carrera 4	Six 3.6 Litre	62M00001
911 Turbo	Six 3.3 Litre	61M00001
1993		
911 Carrera 2	Six 3.6 Litre	62P00001
911 Carrera 4	Six 3.6 Litre	62P00001
911 RS America	Six 3.6 Litre	62P00001
1994		
911 Carrera 2	Six 3.6 Litre	62R00501
911 Carrera 4	Six 3.6 Litre	62R00501
911 Turbo	Six 3.6 Litre	61R00501
1995		
911 Carrera 2	Six 3.6 Litre	63S00501
911 Carrera 4	Six 3.6 Litre	63S00501
1996		
911 Carrera 2	Six 3.2 Litre	64T00501
911 Carrera 4	Six 3.6 Litre	64T00501
911 Turbo	Six 3.6 Litre	61T00501
1997		
911 Carrera 2	Six 3.6 Litre	64V00501
911 Carrera 4	Six 3.6 Litre	64V00501
911 Turbo	Six 3.6 Litre	61V00501
1998		
911 Carrera 2	Six 3.6 Litre	64W00501
911 Carrera 4	Six 3.6 Litre	64W00501
1999		
911		
Std Trans	Six 3.4 Litre	66X00501
Auto Trans	Six 3.4 Litre	66X00501
2000-2003		
911		
Std Trans	Six 3.4 Litre	N.A.
Auto Trans	Six 3.4 Litre	N.A.
Auto Trans	Six 3.6 Litre Twin Turbo	N.A.

IDENTIFICATION

PORSCHE

**PORSCHE Boxster, Cayenne, Cayman, 924, 928, 944, 968
MODEL IDENTIFICATION NUMBER OR PLATE LOCATION**

Identification number is located on the left windshield pillar.

MODEL REFERENCE

YEAR & MODEL	STARTING CHASSIS #	ENGINE	DISPLACEMENT	FUEL SYSTEM	TRANS TYPE
1977 (924)	9247200001	Four	2.0 Litre	Continuous F.I. (Bosch K-Jetronic)	4 Spd Std, Auto
1978 924	9248200001	Four	2.0 Litre	Continuous F.I. (Bosch K-Jetronic)	4 Spd Std, Auto
928	9288200001	V8	4.5 Litre	Continuous F.I. (Bosch K-Jetronic)	5 Spd Std, Auto
1979 924	9249200001	Four	2.0 Litre	Continuous F.I. (Bosch K-Jetronic)	5 Spd Std, Auto
928	9289200001	V8	4.5 Litre	Continuous F.I. (Bosch K-Jetronic)	5 Spd Std, Auto
1980 924	92AO430001	Four	2.0 Litre	Continuous F.I. (Bosch K-Jetronic)	5 Spd Std, Auto
924 Turbo	93AO150001	Four	2.0 Litre	Continuous F.I. (Bosch K-Jetronic)	5 Spd
928	92AO810001	V8	4.5 Litre	Continuous F.I. (Bosch L-Jetronic)	5 Spd Std, Auto
1981 924	92BN450001	Four	2.0 Litre	Continuous F.I. (Bosch K-Jetronic)	5 Spd Std, Auto
924 Turbo	93BN150001	Four	2.0 Litre	Continuous F.I. (Bosch K-Jetronic)	5 Spd Std
928	92BS820001	V8	4.5 Litre	Continuous F.I. (Bosch L-Jetronic)	5 Spd Std, Auto
1982 924	92CN450001-9999	Four	2.0 Litre	Continuous F.I. (Bosch K-Jetronic)	5 Spd Std, Auto
924 Turbo	93CN150001-9999	Four	2.0 Litre	Continuous F.I. (Bosch K-Jetronic)	5 Spd Std
928	92CS820001-5000	V8	4.5 Litre	Continuous F.I. (Bosch L-Jetronic)	5 Spd Std, Auto
1983 928S	92DS820001	V8	4.7 Litre	Continuous F.I. (Bosch L-Jetronic)	5 Spd Std, Auto
944	94DN450001	Four	2.5 Litre	Continuous F.I. (Bosch L-Jetronic)	5 Spd Std, Auto
1984 928S	92ES840001	V8	4.7 Litre	Continuous F.I. (Bosch L-Jetronic)	5 Spd Std, Auto
944	94EN400001	Four	2.5 Litre	Continuous F.I. (Bosch L-Jetronic)	5 Spd Std, Auto
1985 928S	92FS860001	V8	5.0 Litre	Bosch LH-Jetronic	5 Spd Std, Auto
944	94FN450001	Four	2.5 Litre	DME Bosch L-Jetronic	5 Spd Std, Auto
1986-87 924S	92GN400001	Four	2.5 Litre	DME Bosch L-Jetronic	5 Spd Std, Auto
928S	92GS860001	V8	5.0 Litre	Bosch LH-Jetronic	5 Spd Std, Auto
928S4	92HS860001	V8	5.0 Litre	Bosch LH-Jetronic	5 Spd Std, 4 Spd Auto
944	94GN450001	Four	2.5 Litre	DME Bosch L-Jetronic	5 Spd Std, Auto
944 Turbo	95GN150001	Four	2.5 Litre	DME Bosch L-Jetronic	5 Spd Std
1988 924S	92JN450001	Four	2.5 Litre	DME Bosch L-Jetronic	5 Spd Std, Auto
928S4	92JS860001	V8	5.0 Litre	Bosch LH-Jetronic	5 Spd Std, Auto
944	94JN470001	Four	2.5 Litre	DME Bosch L-Jetronic	5 Spd Std, Auto
944 Turbo	95JN150001	Four	2.5 Litre	DME Bosch L-Jetronic	5 Spd Std
944S	94JN450001	Four	2.5 Litre	DME Bosch L-Jetronic	5 Spd Std
1989 928S4	92KS860001	V8	5.0 Litre	Bosch LH-Jetronic	5 Spd Std, Auto
944	94KN450001	Four	2.7 Litre	DME Bosch L-Jetronic	5 Spd Std, Auto
944 Turbo	95KN150001	Four	2.5 Litre	DME Bosch L-Jetronic	5 Spd Std
944S Cabriolet	94KN480001	Four	3.0 Litre	DME Bosch L-Jetronic	5 Spd Std
Coupe	94KN450001	Four	3.0 Litre	DME Bosch L-Jetronic	5 Spd Std

Cont.

IDENTIFICATION

**PORSCHE (Cont.)
MODEL REFERENCE (Cont.)**

YEAR & MODEL	STARTING CHASSIS #	ENGINE	DISPLACEMENT	FUEL SYSTEM	TRANS TYPE
1990					
928S4	92LS860001	V8	5.0 Litre	Bosch LH-Jetronic	5 Spd Std, Auto
944S2					
Cabriolet	94LN480001	Four	3.0 Litre	DME Bosch L-Jetronic	5 Spd Std
Coupe	94LN450001	Four	3.0 Litre	DME Bosch L-Jetronic	5 Spd Std
1991					
928GT	92MS810001	V8	5.0 Litre	Bosch LH-Jetronic	5 Spd Std
928S4	92MS810001	V8	5.0 Litre	Bosch LH-Jetronic	4 Spd Auto
944S2					
Cabriolet	94MN440001	Four	3.0 Litre	DME Bosch L-Jetronic	5 Spd Std
Coupe	94MN410001	Four	3.0 Litre	DME Bosch L-Jetronic	5 Spd Std
1992					
968					
Cabriolet	96NS840061	Four	3.0 Litre	DME LH-Jetronic	6 Spd Std, 4 Spd Auto
Coupe	96NS820061	Four	3.0 Litre	DME LH-Jetronic	6 Spd Std, 4 Spd Auto
1993					
928GTS	92PS820061	V8	5.4 Litre	Bosch LH-Jetronic	5 Spd Std, 4 Spd Auto
968					
Cabriolet	96PS840061	Four	3.0 Litre	DME LH-Jetronic	6 Spd Std, 4 Spd Auto
Coupe	96PS820061	Four	3.0 Litre	DME LH-Jetronic	6 Spd Std, 4 Spd Auto
1994					
928GTS	92RS800061	V8	5.4 Litre	Bosch LH-Jetronic	5 Spd Std, 4 Spd Auto
968					
Cabriolet	96RS840061	Four	3.0 Litre	DME LH-Jetronic	6 Spd Std, 4 Spd Auto
Coupe	96RS820061	Four	3.0 Litre	DME LH-Jetronic	6 Spd Std, 4 Spd Auto
1995					
928GTS	92SS820061	V8	5.4 Litre	Bosch LH-Jetronic	5 Spd Std, 4 Spd Auto
968					
Cabriolet	96SS840061	Four	3.0 Litre	DME LH-Jetronic	6 Spd Std, 4 Spd Auto
Coupe	96SS820061	Four	3.0 Litre	DME LH-Jetronic	6 Spd Std, 4 Spd Auto
1997					
Boxster	98VS600061	H6	2.5 Litre	DME LH-Jetronic	5 Spd Std, 5 Spd Auto
1998					
Boxster	98WS600061	H6	2.5 Litre	DME LH-Jetronic	5 Spd Std, 5 Spd Auto
1999					
Boxster	98XS600061	H6	2.5 Litre	DME LH-Jetronic	5 Spd Std, 5 Spd Auto
2000-2003					
Boxster	98YS600061	H6	2.7 Litre	DME LH-Jetronic	5 Spd Std, 5 Spd Auto
	98YS600061	H6	3.2 Litre	DME LH-Jetronic	6 Spd Std, 5 Spd Auto
2004-2005					
Boxster	N.A.	H6	2.7 Litre	DME LH-Jetronic	5 Spd Std, 5 Spd Auto
	N.A.	H6	3.2 Litre	DME LH-Jetronic	6 Spd Std, 5 Spd Auto
Cayenne	N.A.	H6	3.2 Litre	Bosch Motronic SFI	6 Spd Std, 6 Spd Auto
	N.A.	Eight	4.5 Litre	Bosch	6 Spd Auto
2006					
Boxster	N.A.	H6	2.7 Litre	Bosch Motronic SFI	5 Spd Auto, 5 Spd Std
	N.A.	H6	3.2 Litre	Bosch Motronic SFI	5 Spd Auto, 6 Spd Std
Cayenne	N.A.	H6	3.2 Litre	Bosch Motronic SFI	6 Spd Auto, 6 Spd Std
	N.A.	V8	4.5 Litre	Bosch	6 Spd Auto
Cayman	N.A.	H6	3.4 Litre	Bosch Motronic SFI	5 Spd Auto, 6 Spd Std
2007					
Boxster	N.A.	H6	2.7 Litre	Bosch Motronic SFI	5 Spd Auto, 5 Spd Std
	N.A.	H6	3.2 Litre	Bosch Motronic SFI	6 Spd Std
Cayman	N.A.	H6	2.7 Litre	Bosch Motronic SFI	5 Spd Auto, 6 Spd Std
	N.A.	H6	2.7 Litre	Bosch Motronic SFI	5 Spd Auto, 5 Spd Std
	N.A.	H6	3.4 Litre	Bosch Motronic SFI	5 Spd Auto, 6 Spd Std

IDENTIFICATION

ENGINE IDENTIFICATION NUMBER LOCATION

Boxster - Not available at time of publication.

924,944 - Identification number is stamped on the left side of the engine block near the clutch housing.

928 - Identification number is stamped on the front reinforcing rib in the top half of the engine block.

968 - Not available at time of publication.

ENGINE IDENTIFICATION CODES

YEAR & MODEL	ENGINE	STARTING ENGINE NUMBER
1977		
924		
Std Trans		
w/Calif E.C.S.	Four 2.0 Litre	XF Series
	Four 2.0 Litre	XE Series
w/o Calif E.C.S.	Four 2.0 Litre	XH Series
	Four 2.0 Litre	XG Series
Auto Trans		
w/Calif E.C.S.	Four 2.0 Litre	XE Series
w/o Calif E.C.S.	Four 2.0 Litre	XG Series
1978		
924		
w/Calif E.C.S.	Four 2.0 Litre	XE Series
w/o Calif E.C.S.	Four 2.0 Litre	XG Series
928		
Std Trans	V8 4.5 Litre	8280001
Auto Trans	V8 4.5 Litre	8289001
1979		
924		
w/Calif E.C.S.	Four 2.0 Litre	XE Series
w/o Calif E.C.S.	Four 2.0 Litre	XG Series
928		
Std Trans	V8 4.5 Litre	8290001
Auto Trans	V8 4.5 Litre	8295001
1980		
924	Four 2.0 Litre	V.C. Series
924 Turbo	Four 2.0 Litre	V.C. Series
928		
Std Trans	V8 4.5 Litre	8100001
Auto Trans	V8 4.5 Litre	8105001
1981		
924	Four 2.0 Litre	V.C. Series
924 Turbo	Four 2.0 Litre	V.C. Series
928		
Std Trans	V8 4.5 Litre	8110001
Auto Trans	V8 4.5 Litre	8115001
1982		
924	Four 2.0 Litre	V.C. Series
924 Turbo	Four 2.0 Litre	V.C. Series
928		
Std Trans	V8 4.5 Litre	81C0001
Auto Trans	V8 4.5 Litre	81C5001
1983		
928S		
Std Trans	V8 4.7 Litre	81D0001
Auto Trans	V8 4.7 Litre	81D5001
944		
Std Trans	Four 2.5 Litre	43D0001
Auto Trans	Four 2.5 Litre	43D5001

IDENTIFICATION

PORSCHE (Cont.)
ENGINE IDENTIFICATION CODES (Cont.)

YEAR & MODEL	ENGINE	STARTING ENGINE NUMBER
1984		
928S		
Std Trans	V8 4.7 Litre	81E00001
Auto Trans	V8 4.7 Litre	81E05001
944		
Std Trans	Four 2.5 Litre	43E00001
Auto Trans	Four 2.5 Litre	H3E20001
1985		
928S		
Std Trans	V8 5.0 Litre	81F00001
Auto Trans	V8 5.0 Litre	81F05001
944		
Std Trans	Four 2.5 Litre	43F00001
Auto Trans	Four 2.5 Litre	43F20001
1986-87		
924S		
Std Trans	Four 2.5 Litre	43G00001
Auto Trans	Four 2.5 Litre	43G60001
928S		
Std Trans	V8 5.0 Litre	81G00001
Auto Trans	V8 5.0 Litre	81G05001
928S4		
Std Trans	V8 5.0 Litre	81H00001
Auto Trans	V8 5.0 Litre	81H05001
944		
Std Trans	Four 2.5 Litre	43G00001
Auto Trans	Four 2.5 Litre	43G60001
944 Turbo	Four 2.5 Litre	45G00001
1988		
924S		
Std Trans	Four 2.5 Litre	46J00001
Auto Trans	Four 2.5 Litre	46J60001
928S4		
Std Trans	V8 5.0 Litre	81J00001
Auto Trans	V8 5.0 Litre	81J05001
944		
Std Trans	Four 2.5 Litre	46J00001
Auto Trans	Four 2.5 Litre	46J60001
944S	Four 2.5 Litre	42J00001
944 Turbo	Four 2.5 Litre	45J00001
1989		
928S4	V8 5.0 Litre	81K00001
944		
Std Trans	Four 2.7 Litre	46K00001
Auto Trans	Four 2.7 Litre	46K60001
944S	Four 3.0 Litre	42K00001
944 Turbo	Four 2.5 Litre	47K00001
1990		
928S4	V8 5.0 Litre	81L50001
944S2	Four 3.0 Litre	42L00001
1991		
928GT	V8 5.0 Litre	85M00001
928S4	V8 5.0 Litre	81M50001
944S2	Four 3.0 Litre	42M00001
944S2 Turbo	Four 3.0 Litre	47M00001
1992		
928GTS		
Std Trans	V8 5.4 Litre	85N00501
Auto Trans	V8 5.4 Litre	81N50501
968		
Std Trans	Four 3.0 Litre	42N00501
Auto Trans	Four 3.0 Litre	42N50501

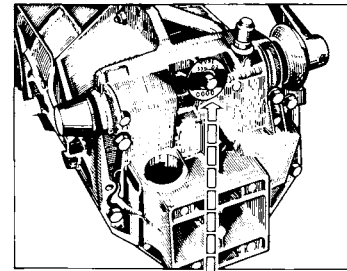
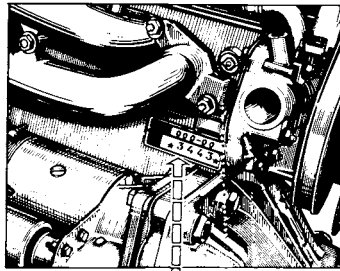
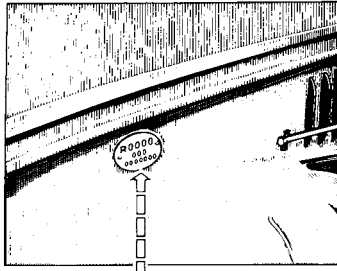
IDENTIFICATION

PORSCHE (Cont.)
ENGINE IDENTIFICATION CODES (Cont.)

YEAR & MODEL	ENGINE	STARTING ENGINE NUMBER
1993		
928GTS		
Std Trans	V8 5.4 Litre	85P00501
Auto Trans	V8 5.4 Litre	81P50501
968		
Std Trans	Four 3.0 Litre	42P00501
Auto Trans	Four 3.0 Litre	42P50501
1994		
928GTS		
Std Trans	V8 5.4 Litre	85R00501
Auto Trans	V8 5.4 Litre	81R50501
968		
Std Trans	Four 3.0 Litre	42R00501
Auto Trans	Four 3.0 Litre	42R50501
1995		
928GTS		
Std Trans	V8 5.4 Litre	85S00501
Auto Trans	V8 5.4 Litre	81S50501
968		
Std Trans	Four 3.0 Litre	42S00501
Auto Trans	Four 3.0 Litre	42S50501
1997		
Boxster		
Std Trans	Six 2.5 Litre	65V00501
Auto Trans	Six 2.5 Litre	65V00501
1998		
Boxster		
Std Trans	Six 2.5 Litre	65W00501
Auto Trans	Six 2.5 Litre	65W00501
1999		
Boxster		
Std Trans	Six 2.5 Litre	65X00501
Auto Trans	Six 2.5 Litre	65X00501
2000-2003		
Boxster		
Std Trans	Six 2.7 Litre	65Y00501
	Six 3.2 Litre	65Y00501
Auto Trans	Six 2.7 Litre	65Y00501
	Six 3.2 Litre	65Y00501
2004-2005		
Boxster	H6 2.7 Litre	N.A.
	H6 3.2 Litre	N.A.
Cayenne	H6 3.2 Litre	N.A.
	Eight 4.5 Litre	N.A.
2006		
Boxster	H6 2.7 Litre	N.A.
	H6 3.2 Litre	N.A.
Cayenne	H6 3.2 Litre	N.A.
	V8 4.5 Litre	N.A.
Cayman	H6 3.4 Litre	N.A.
2007		
Boxster	H6 2.7 Litre	N.A.
	H6 3.2 Litre	N.A.
Cayman	H6 2.7 Litre	N.A.
	H6 3.4 Litre	N.A.

IDENTIFICATION

IDENTIFICATION NUMBER OR PLATE LOCATION



R 0000 — 1 Vehicle Type
 000 — 2 Version Number
 0000000 — 3 Manufacturing Number

X . . . 4

Unit & Manufacturing Number

X . . . 4

70A03145

MODEL REFERENCE

MODEL	BODY STYLE	ENGINE	TRANSMISSION
1973-75			
R12			
1174	4 Dr Sed	843-10 1647cc (1.6 Litre)	4 Spd Std
		843-11 1647cc (1.6 Litre)	Auto Trans
1178	4 Dr Sed	841-10 1647cc (1.6 Litre)	4 Spd Std
		841-11 1647cc (1.6 Litre)	Auto Trans
1332	4 Dr S/W	841-10 1647cc (1.6 Litre)	4 Spd Std
		841-11 1647cc (1.6 Litre)	Auto Trans
1334	4 Dr S/W	843-10 1647cc (1.6 Litre)	4 Spd Std
		843-11 1647cc (1.6 Litre)	Auto Trans
R15			
1304	2 Dr Cpe	841-15 1647cc (1.6 Litre)	4 Spd Std
		841-16 1647cc (1.6 Litre)	Auto Trans
1308	2 Dr Cpe	843-15 1647cc (1.6 Litre)	4 Spd Std
		843-16 1647cc (1.6 Litre)	Auto Trans
R17			
1313	2 Dr	807-13 (1565cc)	4 Spd Std
		807-13 (1565cc)	5 Spd Std
1314	2 Dr	841-15 1647cc (1.6 Litre)	4 Spd Std
		841-16 1647cc (1.6 Litre)	Auto Trans
1316	2 Dr	843-13 1647cc (1.6 Litre)	5 Spd Std
1318	2 Dr	843-15 1647cc (1.6 Litre)	5 Spd Std
		843-16 1647cc (1.6 Litre)	Auto Trans
1323	2 Dr	807-13 (1565cc)	5 Spd Std
1324	2 Dr	841-15 1647cc (1.6 Litre)	4 Spd Std
		841-16 1647cc (1.6 Litre)	Auto Trans
1326	2 Dr	843-13 1647cc (1.6 Litre)	5 Spd Std
1328	2 Dr	843-15 1647cc (1.6 Litre)	4 Spd Std
		843-16 1647cc (1.6 Litre)	Auto Trans
		843S-55 1647cc (1.6 Litre)	5 Spd Std
1976-79			
R5 (Le Car)			
1228	2 Dr	810-28 (1289cc)	4 Spd Std
R12			
1174	4 Dr Sed	843-10 1647cc (1.6 Litre)	4 Spd Std
		843-11 1647cc (1.6 Litre)	Auto Trans
1334	4 Dr S/W	843-10 1647cc (1.6 Litre)	4 Spd Std
		843-11 1647cc (1.6 Litre)	Auto Trans
R15			
1308	2 Dr Cpe	843-15 1647cc (1.6 Litre)	4 Spd Std
		843-16 1647cc (1.6 Litre)	Auto Trans
R17			
1316	2 Dr	843-13 1647cc (1.6 Litre)	5 Spd Std
1318	2 Dr	843-15 1647cc (1.6 Litre)	5 Spd Std
		843-16 1647cc (1.6 Litre)	Auto Trans

IDENTIFICATION

MODEL REFERENCE (Cont.)

MODEL	BODY STYLE	ENGINE	TRANSMISSION
1980-83			
Fuego	2 Dr	843-18 1647cc (1.6 Litre) 843-19 1647cc (1.6 Litre) AL7-23 1647cc (1.6 Litre)	5 Spd Std Auto Trans 5 Spd Std
R5 (Le Car)			
1229	2 Dr	847-25 1397cc (1.4 Litre)	4 Spd Std
1399	4 Dr	-	-
18i			
1348	4 Dr Sed	843-18 1647cc (1.6 Litre) 843-18 1647cc (1.6 Litre) 843-19 1647cc (1.6 Litre)	4 Spd Std 5 Spd Std Auto Trans
1358	4 Dr S/W	843-18 1647cc (1.6 Litre) 843-18 1647cc (1.6 Litre) 843-19 1647cc (1.6 Litre)	4 Spd Std 5 Spd Std Auto Trans
1984-86			
Fuego			
136A	2 Dr	1.6 Litre Turbo	5 Spd Std
136B	2 Dr	2.2 Litre	5 Spd Std,Auto Trans
Sportwagon	4 Dr	2.2 Litre	5 Spd Std,Auto Trans
1987-89			
For Alliance, Encore and Medallion information refer to AMC/EAGLE tab in our Domestic Car Publications.			

IDENTIFICATION

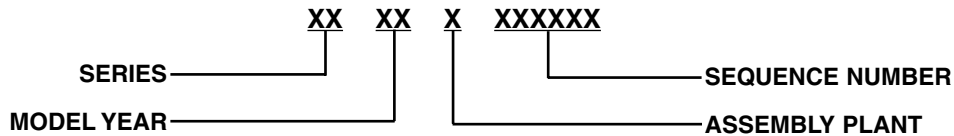
IDENTIFICATION NUMBER OR PLATE LOCATION

Identification number is located on the upper left dash panel, visible through windshield;
and/or located on the right side of the rear crossmember in the luggage compartment.

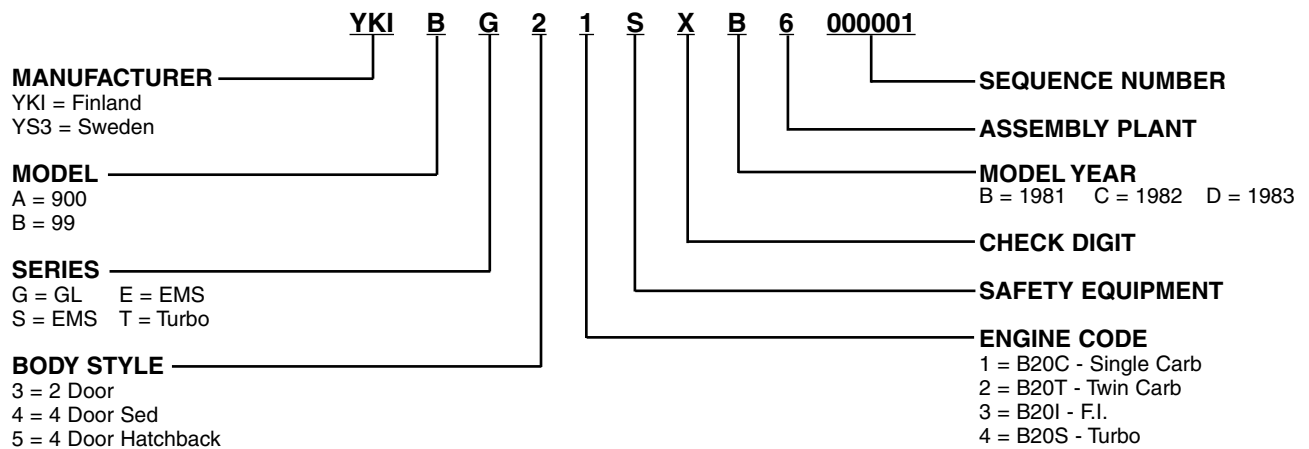
1973-74

Information not available.

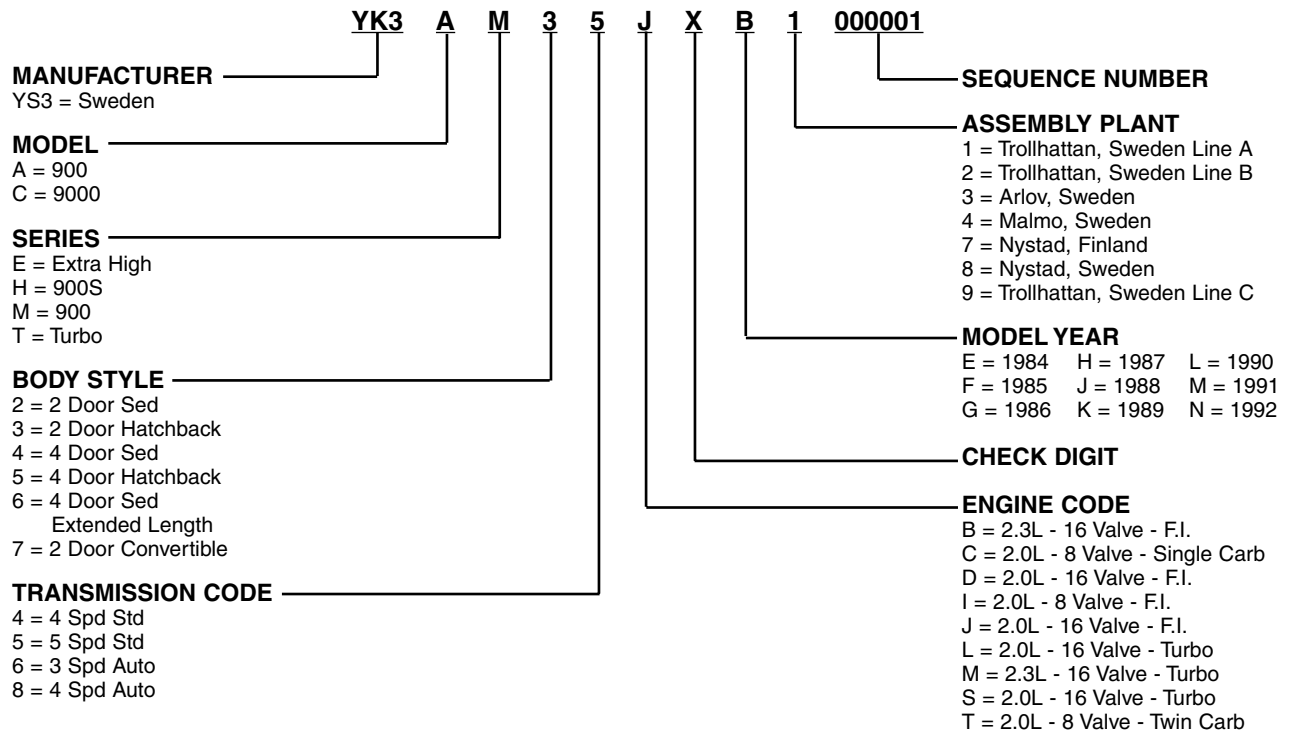
1975-80



1981-83

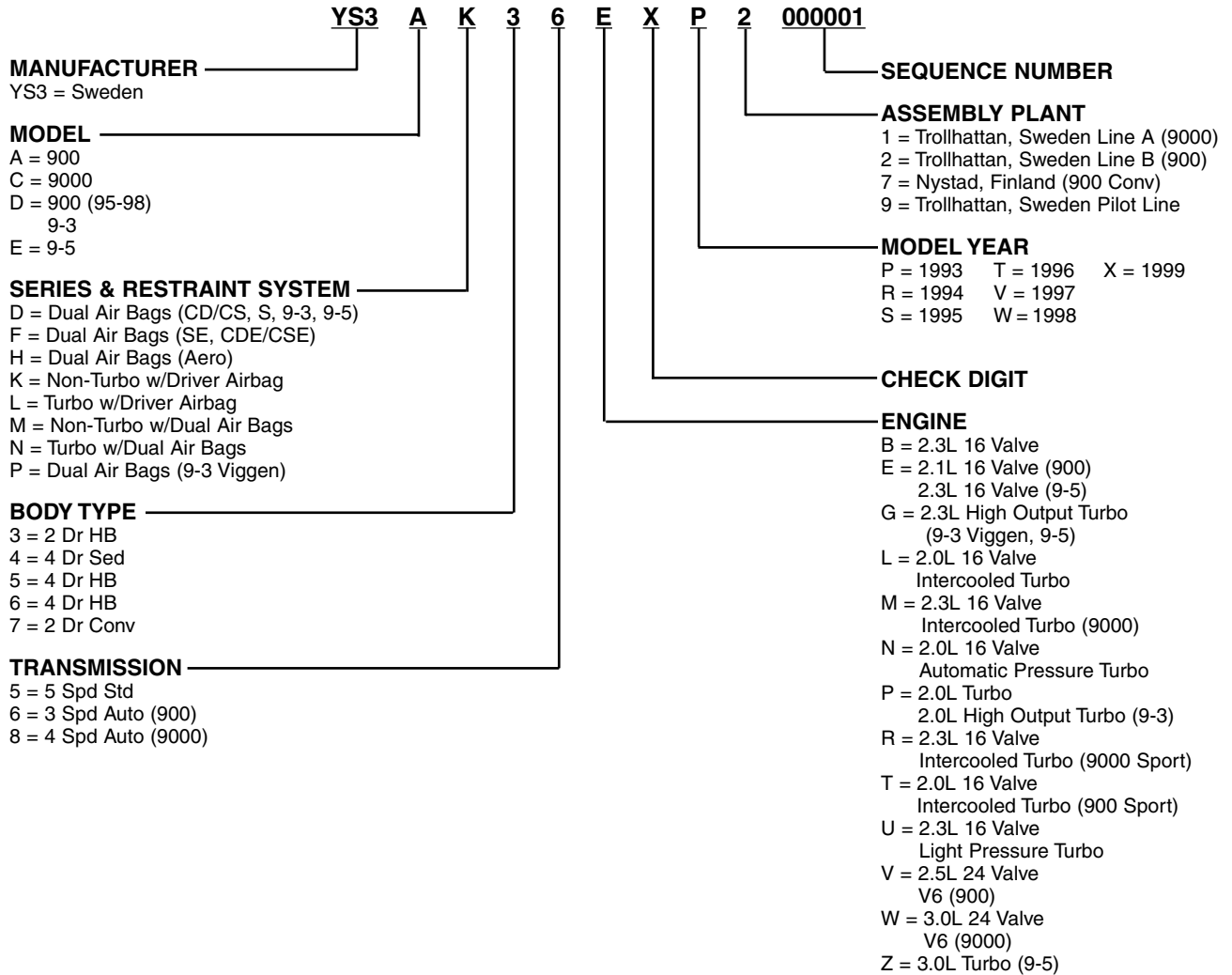


1984-92



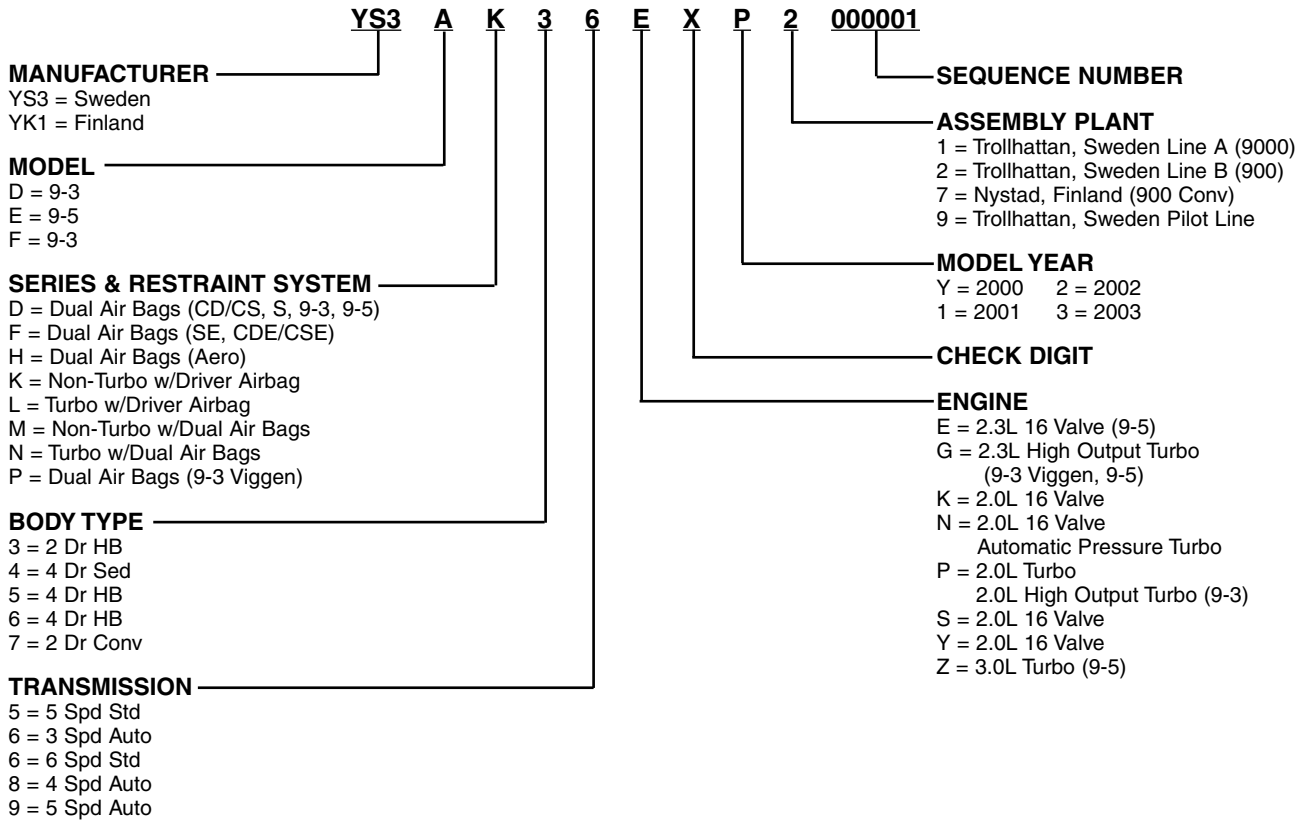
IDENTIFICATION

1993-99

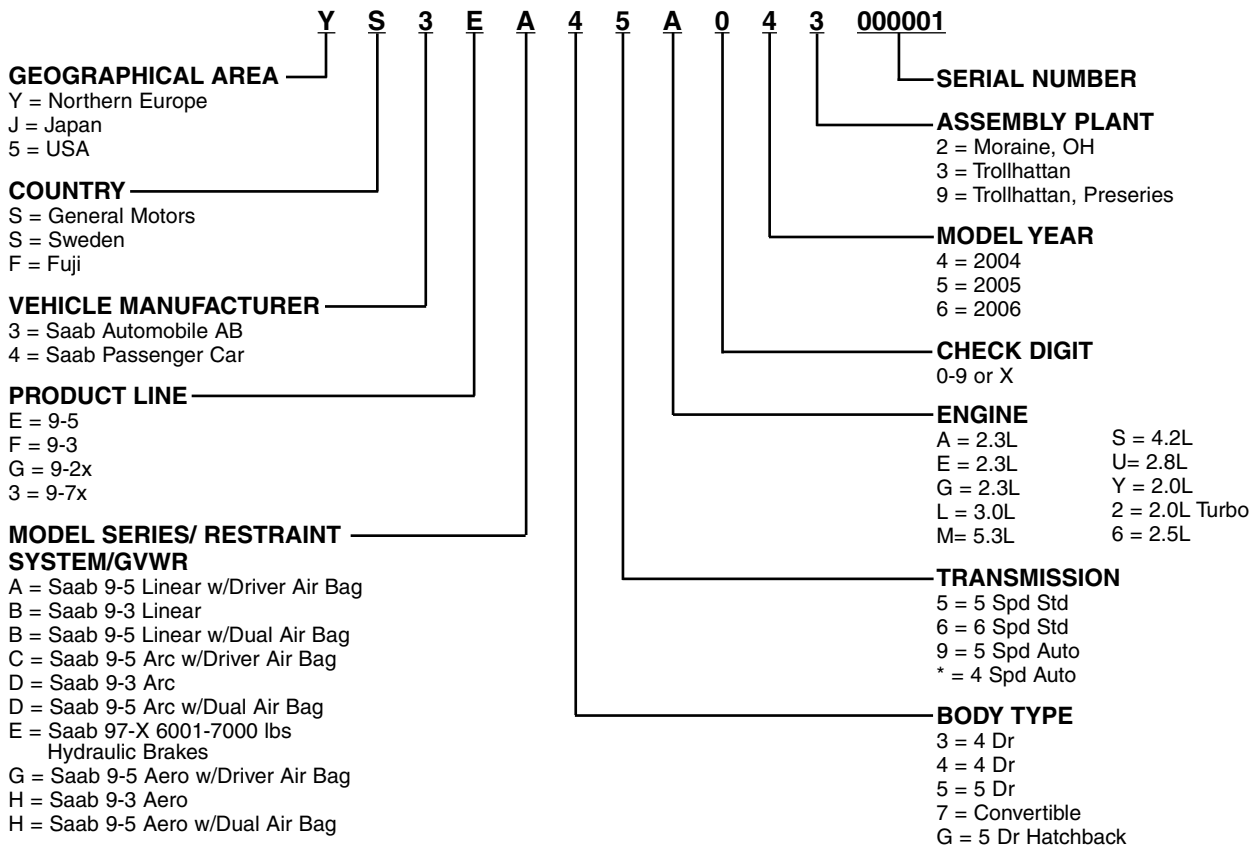


IDENTIFICATION

2000-03

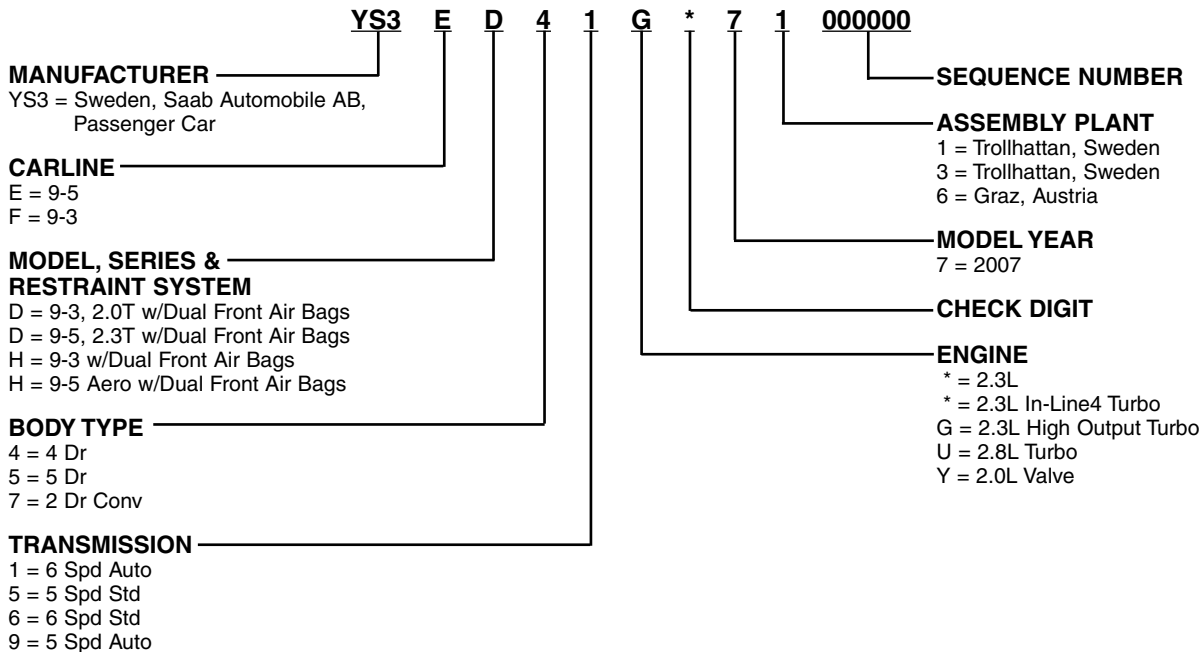


2004-06

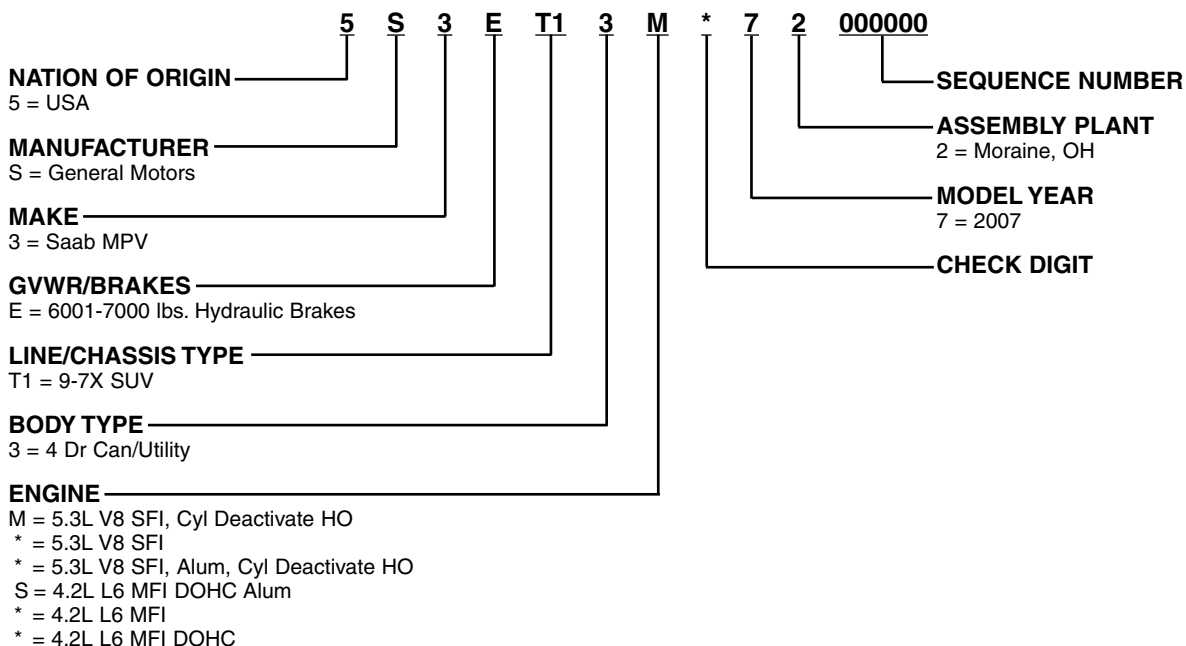


IDENTIFICATION

2007
9-3 & 9-5



2007
9-7X



IDENTIFICATION

MODEL REFERENCE

YEAR	MODEL	ENGINE	CHASSIS NUMBERS
1973	Sonett	V4 1700cc (1.7 Litre)	9773-5000001 9773-5002300
	95	V4 1700cc (1.7 Litre)	9573-2000001 9573-2007767
	96	V4 1700cc (1.7 Litre)	9673-2000001 9673-2023028
	99	Four 2000cc (2.0 Litre)	9973-2000001 9973-2041390
1974	Sonett	V4 1700cc (1.7 Litre)	9774-5000001 & Up
	99	Four 2000cc (2.0 Litre)	9974-2000001 9974-2038672
1975	99	Four 2000cc (2.0 Litre)	9975-2000001 9975-2041733
1976	99	Four 2000cc (2.0 Litre)	9976-2000001 9976-2040165
1977	99	Four 2000cc (2.0 Litre)	9977-1000001 9977-2008024
1978	99	Four 2000cc (2.0 Litre)	9978-1000001 9978-2011345
1979	99	Four 2000cc (2.0 Litre)	9979-1000001 9979-2006401
	900	Four 2000cc (2.0 Litre)	9079-1000001 9979-604675
1980	99	Four 2000cc (2.0 Litre)	9980-1000001 & Up
	900	Four 2000cc (2.0 Litre)	9080-1000001 & Up
1981	900	Four 2000cc (2.0 Litre)	B1000001 & Up
1982	900	Four 2000cc (2.0 Litre)	C1000001 & Up
1983	900	Four 2000cc (2.0 Litre)	D1000001 & Up
1984	900	Four 2000cc (2.0 Litre)	E1000001 & Up
1985	900	Four 2000cc (2.0 Litre)	F1000001 & Up
		w/ Turbo (16 Valve) w/o Turbo (8 Valve)	
1986	900	Four 2000cc (2.0 Litre) (8 Valve)	G2000001 & Up
	900S	Four 2000cc (2.0 Litre) (16 Valve)	G7000001 & Up
	900 Turbo	Four 2000cc (2.0 Litre) (16 Valve)	G3000001 & Up
	9000	Four 2000cc (2.0 Litre) (16 Valve Turbo)	G1000001 & Up
	9000S	Four 2000cc (2.0 Litre) (16 Valve)	G1000001 & Up
1987	900	Four 2000cc (2.0 Litre) (8 Valve)	H2000001 & Up
	900S	Four 2000cc (2.0 Litre) (16 Valve)	H7000001 & Up
	900 Turbo	Four 2000cc (2.0 Litre) (16 Valve Turbo)	H3000001 & Up
	9000	Four 2000cc (2.0 Litre) (16 Valve Turbo)	H1000001 & Up
	9000S	Four 2000cc (2.0 Litre) (16 Valve)	H1000001 & Up
1988	900	Four 2.0 Litre 8 Valve	J3000001 & Up
	900S	Four 2.0 Litre 16 Valve	J5000001 & Up
	900 Turbo	Four 2.0 Litre 16 Valve Turbo	J7000001 & Up
	9000	Four 2.0 Litre 16 Valve Turbo	J1000001 & Up
	9000S	Four 2.0 Litre 16 Valve	J8000001 & Up
1989	900	Four 2.0 Litre 16 Valve	K3000001 & Up
	900S	Four 2.0 Litre 16 Valve	K5000001 & Up
	900 Turbo	Four 2.0 Litre 16 Valve Turbo	K7000001 & Up
	9000	Four 2.0 Litre 16 Valve Turbo	K1000001 & Up
	9000CD	Four 2.0 Litre 16 Valve Turbo	K4000001 & Up
1990	9000S	Four 2.0 Litre 16 Valve	K8000001 & Up
	900	Four 2.0 Litre 16 Valve	L3000001 & Up
	900S	Four 2.0 Litre 16 Valve	L5000001 & Up
	900 Turbo	Four 2.0 Litre 16 Valve Turbo	L7000001 & Up
	9000	Four 2.0 Litre 16 Valve Turbo	L1000001 & Up
1991	9000CD	Four 2.3 Litre 16 Valve	L2000001 & Up
	9000CD Turbo	Four 2.3 Litre 16 Valve Turbo	L8000001 & Up
	9000S	Four 2.0 Litre 16 Valve	L1000001 & Up
	9000S	Four 2.3 Litre 16 Valve	L1000001 & Up
	900	Four 2.1 Litre 16 Valve	M3000001 & Up
1991	900S	Four 2.1 Litre 16 Valve	M5000001 & Up
	900 Turbo	Four 2.0 Litre 16 Valve Turbo	M7000001 & Up
	9000	Four 2.3 Litre 16 Valve	M1000001 & Up
	9000CD	Four 2.3 Litre 16 Valve	M2000001 & Up
	9000CD Turbo	Four 2.3 Litre 16 Valve Turbo	M2000001 & Up
	9000S	Four 2.3 Litre 16 Valve	M1000001 & Up

IDENTIFICATION

MODEL REFERENCE

YEAR	MODEL	ENGINE	CHASSIS NUMBERS	
1992	900	Four 2.1 Litre 16 Valve	000001 & Up	
	900S	Four 2.1 Litre 16 Valve	000001 & Up	
	900 Turbo	Four 2.0 Litre 16 Valve Turbo	000001 & Up	
	9000	Four 2.3 Litre 16 Valve	000001 & Up	
	9000CD	Four 2.3 Litre 16 Valve	000001 & Up	
	9000CD Turbo	Four 2.3 Litre 16 Valve Turbo	000001 & Up	
	9000 Turbo	Four 2.3 Litre 16 Valve Turbo	000001 & Up	
	9000S	Four 2.3 Litre 16 Valve	000001 & Up	
	1993	900S	2.1 Litre	000001 & Up
		900 Turbo	2.0 Litre Turbo	000001 & Up
9000 Aero		2.3 Litre Turbo	000001 & Up	
9000CD		2.3 Litre	000001 & Up	
9000CDE		2.3 Litre	000001 & Up	
9000CS		2.3 Litre	000001 & Up	
9000CSE		2.3 Litre	000001 & Up	
1994		900S	Four 2.3 Litre	000001 & Up
		900SE	(Inc: 900SE Turbo)	
			Four 2.0 Litre	000001 & Up
		V6 2.5 Litre	000001 & Up	
	900 Turbo	Four 2.0 Litre	000001 & Up	
	9000 Aero	Four 2.3 Litre Turbo	000001 & Up	
	9000CDE	Four 2.3 Litre	000001 & Up	
	9000CS	Four 2.3 Litre	000001 & Up	
	9000CSE	Four 2.3 Litre	000001 & Up	
	1995	900S	Four 2.3 Litre	000001 & Up
900SE		(Inc: 900SE Turbo)		
		Four 2.0 Litre Turbo	000001 & Up	
		V6 2.5 Litre	000001 & Up	
9000 Aero		Four 2.3 Litre Turbo	000001 & Up	
9000 Aero		Four 2.3 Litre H.O. Turbo	000001 & Up	
9000CDE		V6 3.0 Litre	000001 & Up	
9000CS		Four 2.3 Litre Turbo	000001 & Up	
9000CSE		Four 2.3 Litre Turbo	000001 & Up	
		V6 3.0 Litre	000001 & Up	
1996	900S	Four 2.3 Litre	000001 & Up	
	900SE	(Inc: 900SE Turbo)		
		Four 2.0 Litre Turbo	000001 & Up	
		V6 2.5 Litre	000001 & Up	
	9000 Aero	Four 2.3 Litre H.O. Turbo	000001 & Up	
	9000CS	Four 2.3 Litre Turbo	000001 & Up	
1997	9000CSE	Four 2.3 Litre Turbo	000001 & Up	
		V6 3.0 Litre	000001 & Up	
	900S	Four 2.3 Litre 16 Valve	000001 & Up	
	900SE	(Inc: 900SE Turbo)		
		Four 2.0 Litre Turbo	000001 & Up	
		V6 2.5 Litre	000001 & Up	
1998	9000 Aero	Four 2.3 Litre H.O. Turbo	000001 & Up	
	9000CS	Four 2.3 Litre Turbo	000001 & Up	
	9000CSE	Four 2.3 Litre Turbo	000001 & Up	
		V6 3.0 Litre	000001 & Up	
	900S	Four 2.0 Litre 16 Valve Turbo	000001 & Up	
	900S	Four 2.3 Litre 16 Valve	000001 & Up	
1999	900SE	Four 2.0 Litre 16 Valve Turbo	000001 & Up	
	9000CSE	Four 2.3 Litre 16 Valve Turbo	000001 & Up	
	9-3	Four 2.0 Litre 16 Valve Turbo	000001 & Up	
	9-3SE	Four 2.0 Litre 16 Valve Turbo	000001 & Up	
	9-3SE	Four 2.0 Litre 16 Valve H.O. Turbo	000001 & Up	
	9-5	Four 2.3 Litre 16 Valve Turbo	000001 & Up	
	9-5	V6 3.0 Litre 24 Valve Turbo	000001 & Up	
	9-5SE	Four 2.3 Litre 16 Valve Turbo	000001 & Up	
	9-5SE	V6 3.0 Litre 24 Valve Turbo	000001 & Up	
	2000	9-3	Four 2.0 Litre 16 Valve Turbo	000001 & Up
9-3SE		Four 2.0 Litre 16 Valve Turbo	000001 & Up	
9-3SE		Four 2.0 Litre 16 Valve H.O. Turbo	000001 & Up	
9-5		Four 2.3 Litre 16 Valve Turbo	000001 & Up	
9-5		V6 3.0 Litre 24 Valve Turbo	000001 & Up	
9-5SE		Four 2.3 Litre 16 Valve Turbo	000001 & Up	
9-5SE		V6 3.0 Litre 24 Valve Turbo	000001 & Up	

IDENTIFICATION

MODEL REFERENCE

YEAR	MODEL	ENGINE	CHASSIS NUMBERS
2001	9-3	Four 2.0 Litre 16 Valve Turbo	000001 & Up
	9-3SE	Four 2.0 Litre 16 Valve H. O. Turbo	000001 & Up
	9-3 Viggen	Four 2.3 Litre 16 Valve H. O. Turbo	000001 & Up
	9-5	Four 2.3 Litre 16 Valve Turbo	000001 & Up
	9-5SE	V6 3.0 Litre 24 Valve Turbo	000001 & Up
2002	9-5Aero	Four 2.3 Litre 16 Valve H. O. Turbo	000001 & Up
	9-3SE	Four 2.0 Litre 16 Valve Turbo	000001 & Up
	9-3 Viggen	Four 2.3 Litre 16 Valve H.O. Turbo	000001 & Up
2003	9-5 Linear	Four 2.0 Litre 16 Valve Turbo	000001 & Up
	9-5 Arc	V6 3.0 Litre 24 Valve Turbo	000001 & Up
	9-5 Aero	Four 2.3 Litre 16 Valve H. O. Turbo	000001 & Up
	9-3 Arc	Four 2.0 Litre (Vin Y)	000001 & Up
	9-3 Linear	Four 2.0 Litre (Vin S)	000001 & Up
	9-3 SE	Four 2.0 Litre (Vin K)	000001 & Up
	9-3 Vector	Four 2.0 Litre (Vin Y)	000001 & Up
2004	9-5 Aero	Four 2.3 Litre (Vin G)	000001 & Up
	9-5 Arc	V-6 3.0 Litre (Vin Z)	000001 & Up
	9-5 Linear	Four 2.3 Litre (Vin E)	000001 & Up
	9-3 Aero	Four 2.0 Litre (Vin Y)	000001 & Up
	9-3 Arc	Four 2.0 Litre (Vin Y)	000001 & Up
	9-3 Linear	Four 2.0 Litre (Vin S)	000001 & Up
2005	9-5 Aero	Four 2.3 Litre (Vin G)	000001 & Up
	9-5 Arc	Four 2.3 Litre (Vin A)	000001 & Up
	9-5 Linear	Four 2.3 Litre (Vin E)	000001 & Up
	9-2X Aero	H4 2.0 Litre (Vin 2)	000001 & Up
	9-2X Linear	H4 2.5 Litre (Vin 6)	000001 & Up
	9-3 Aero	Four 2.0 Litre (Vin Y)	000001 & Up
	9-3 Arc	Four 2.0 Litre (Vin Y)	000001 & Up
	9-3 Linear	Four 2.0 Litre (Vin S)	000001 & Up
	9-5 Aero	Four 2.3 Litre (Vin G)	000001 & Up
	9-5 Arc	Four 2.3 Litre (Vin A)	000001 & Up
2006	9-5 Linear	Four 2.3 Litre (Vin E)	000001 & Up
	9-7X Arc	V8 5.3 Litre (Vin M)	000001 & Up
	9-7X Linear	Six 4.2 Litre (Vin S)	000001 & Up
	9-2X 2.5i	H4 2.5 Litre (Vin 6)	000001 & Up
	9-2X Aero	H4 2.0 Litre (Vin 2)	000001 & Up
	9-3 2.0T	Four 2.0 Litre (Vin Y)	000001 & Up
	9-3 Aero	Six 2.8 Litre (Vin U)	000001 & Up
	9-5	Four 2.3 Litre (Vin G)	000001 & Up
	9-7X 4.2i	Six 4.2 Litre (Vin S)	000001 & Up
	9-7X 5.3i	V8 5.3 Litre (Vin M)	000001 & Up
2007	9-3 2.0T	Four 2.0 Litre (Vin Y)	000001 & Up
	9-3 Aero	Six 2.8 Litre (Vin U)	000001 & Up
	9-5	Four 2.3 Litre (Vin G)	000001 & Up
	9-7X 4.2i	Six 4.2 Litre (Vin S)	000001 & Up
	9-7X 5.3i	V8 5.3 Litre (Vin M)	000001 & Up

ENGINE VIN IDENTIFICATION LOCATION

Identification number is located on left front of engine.

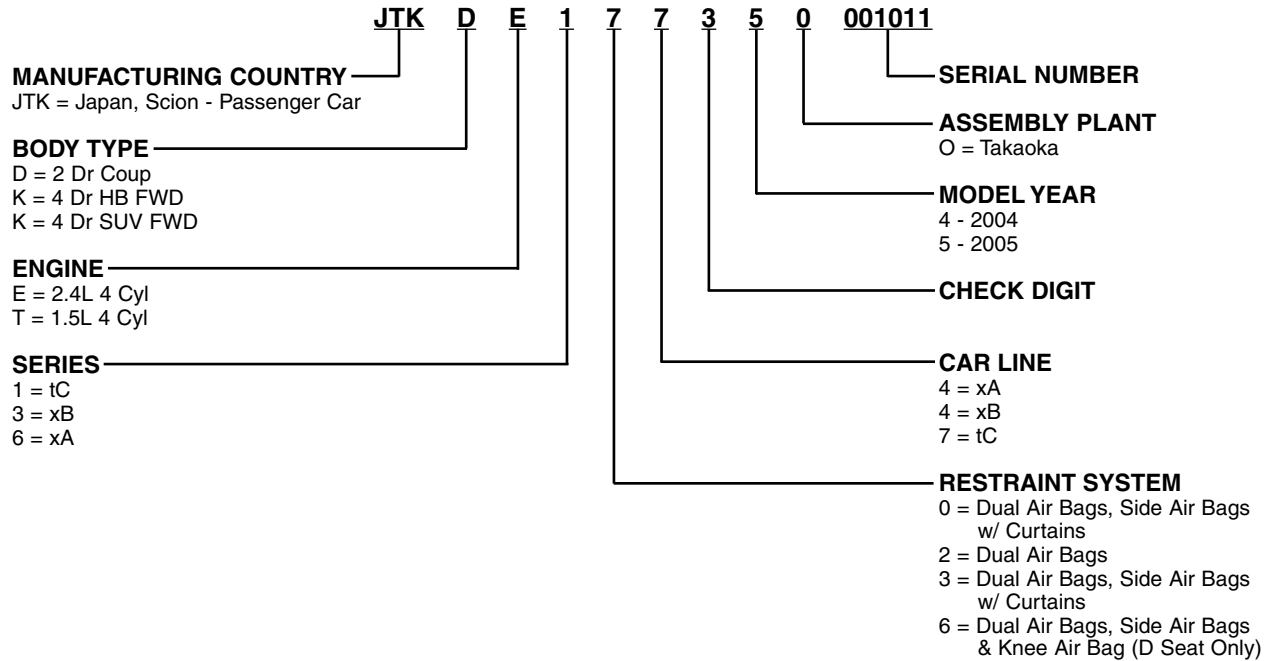
IDENTIFICATION

SCION

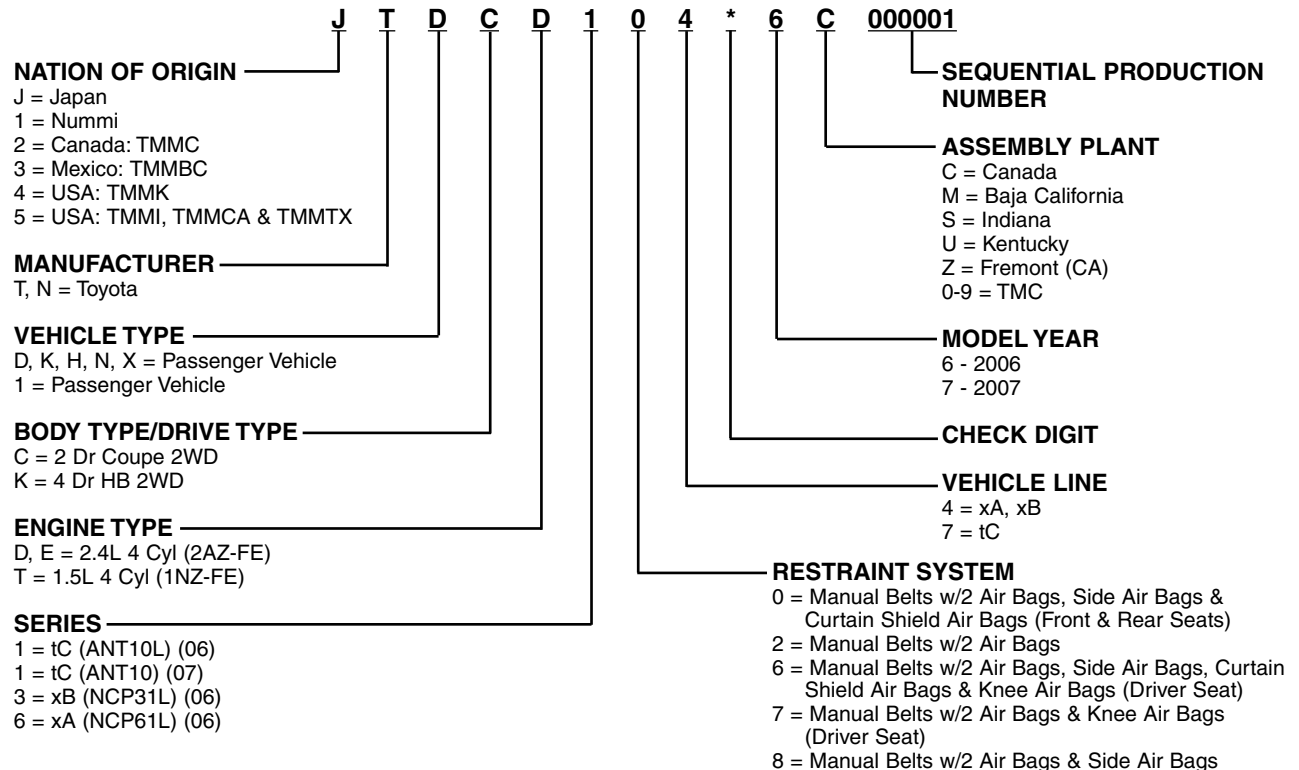
LOCATION: The Vehicle Identification Number is stamped on a metal plate. The plate is attached to the upper left corner of the instrument panel on all models.

SAMPLE VIN:

Scion 2004 - 2005



Scion 2006-07

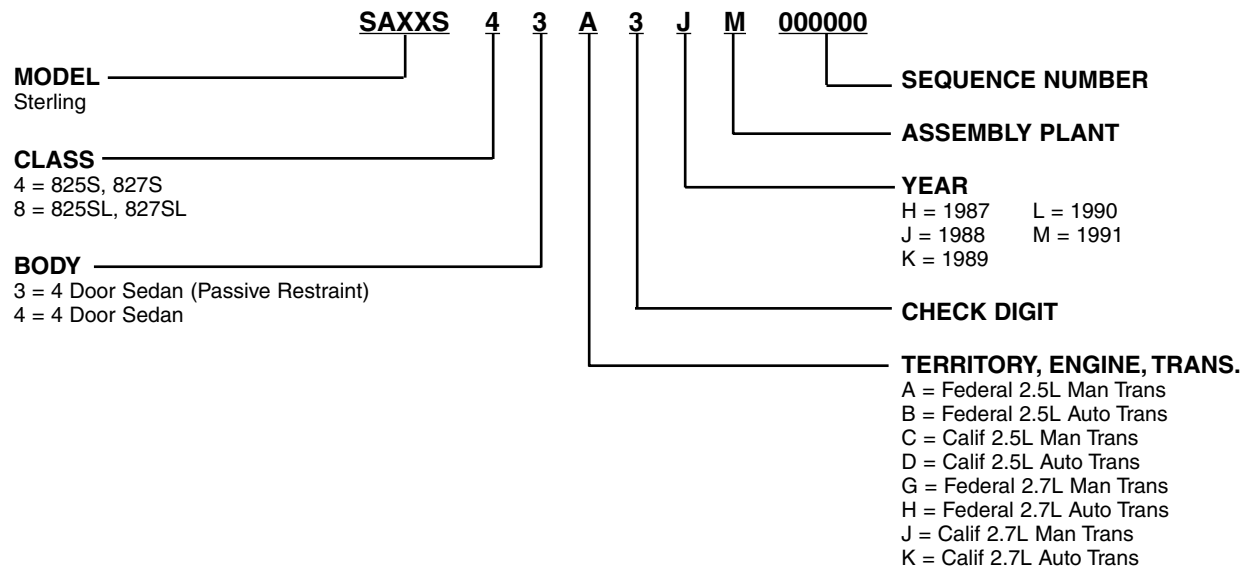


IDENTIFICATION

IDENTIFICATION NUMBER OR PLATE LOCATION

Located on the lower left-hand center door pillar.

1987-91



IDENTIFICATION

IDENTIFICATION NUMBER OR PLATE LOCATION

Die cast numbers are located on left side firewall in compartment, near ignition coil, or on left side of instrument panel, at windshield.

MODEL REFERENCE

1973-89

YEAR	CHASSIS NUMBERS	MODEL	BODY STYLE	ENGINE	TRANSAXLE		
1973	Stage I	A22L-700001 to A22L-701102	GL	2 Dr Cpe	1400cc (1.4 Litre)	4 Speed	
		A22L-800001 to A22L-801000	DL	4 Dr Sed			
		A22L-900001 to A22L-900800	DL	2 Dr Sed			
	Stage II	A62L-700001 to A62L-701200	DL	4 Dr S/W			
		A22L-701103 to A22L-704200	GL	2 Dr Cpe			
		A22L-801001 to A22L-804108	DL	4 Dr Sed			
	Stage III	A22L-900701 to A22L-902700	DL	2 Dr Sed			
		A62L-701201 to A62L-703505	DL	4 Dr S/W			
		A22L-704201 to A22L-711000	GL	2 Dr Cpe			
	1974	A22L-804109 to A22L-807000	DL	4 Dr Sed			
		A22L-902701 to A22L-908000	DL	2 Dr Sed			
		A62L-703506 to A62L-708000	DL	4 Dr S/W			
A22L-711001 to A22L-726000		GL	2 Dr Cpe				
1975	A22L-807001 to A22L-819000	DL	4 Dr Sed				
	A22L-908001 to A22L-923000	DL	2 Dr Sed				
	A62L-708001 to A62L-725000	DL	4 Dr S/W				
	A22L-002001 to A22L-005060	DL	2 Dr H.T.	1400cc (1.4 Litre)	5 Speed		
		A22L-020001 & Up	DL			2 Dr H.T.	
	A22L-102001 to A22L-106000	DL	2 Dr Sed			Auto	
	A22L-202001 & Up	GL	2 Dr Cpe				
	A22L-302001 to A22L-305000	DL	2 Dr H.T.			Auto	
	A22L-402001 to A22L-404000	GL	2 Dr Cpe			5 Speed	
	A22L-602001 to A22L-605000	DL	4 Dr Sed			Auto	
	A22L-726001 & Up	GL	2 Dr Cpe			4 Speed	
	A22L-819001 to A22L-819500	DL	4 Dr Sed			4 Speed	
	A22L-923001 to A22L-924000	DL	2 Dr Sed			4 Speed	
	A62L-602001 to A62L-604000	DL	4 Dr S/W			Auto	
	A62L-725001 to A62L-725500	DL	4 Dr S/W			4 Speed	
	A64L-802001 to A64L-806000	DL	4 Dr S/W 4x4			4 Speed	
1976	A22L-005001 & Up	GF	2 Dr H.T.			1400cc (1.4 Litre)	5 Speed
	A22L-404001 & Up	DL	2 Dr Cpe			1400cc (1.4 Litre)	5 Speed
	A22L-726501 & Up	DL	2 Dr Sed			1400cc (1.4 Litre)	4 Speed
	A22L-819501 & Up	DL	4 Dr Sed	1400cc (1.4 Litre)	4 Speed		
	A22L-924001 & Up	Std	2 Dr Sed	1400cc (1.4 Litre)	4 Speed		
	A26L-106001 & Up	DL	2 Dr Sed	1600cc (1.6 Litre)	Auto		
	A26L-305001 & Up	GF	2 Dr H.T.	1600cc (1.6 Litre)	Auto		
	A26L-605001 & Up	DL	4 Dr Sed	1600cc (1.6 Litre)	Auto		
	A62L-725501 & Up	DL	4 Dr S/W	1400cc (1.4 Litre)	4 Speed		
	A64L-806001 & Up	Std	4 Dr S/W 4x4	1400cc (1.4 Litre)	4 Speed		
	A66L-604001 & Up	DL	4 Dr S/W	1600cc (1.6 Litre)	Auto		
	1977	Stage I	A26L-205001 to A26L-209000	Std	2 Dr Cpe	1600cc (1.6 Litre)	4 Speed
			A26L-309001 to A26L-310000	GF	2 Dr H.T.		
A26L-405001 to A26L-409000			DL	2 Dr Sed			
A26L-505001 to A26L-507000			DL	4 Dr Sed			
A26L-610001 to A26L-612000			DL	4 Dr Sed			
A26L-730001 to A26L-732000			DL	2 Dr Sed			
A26L-805001 to A26L-808000			GF	2 Dr H.T.			
A26L-905001 to A26L-909000			DL	2 Dr Cpe			
A66L-609001 to A66L-612000			DL	4 Dr S/W			
A66L-705001 to A66L-710000			DL	4 Dr S/W			
A67L-002001 to A67L-010000			Std	4 Dr S/W 4x4			
Stage II			A26L-209001 to A26L-211108	Std	2 Dr Sed		
		A26L-310001 to A26L-311167	GF	2 Dr H.T.			
		A26L-409001 to A26L-412216	DL	2 Dr Sed			
		A26L-507001 to A26L-508787	DL	4 Dr Sed			
		A26L-612001 to A26L-613684	DL	4 Dr Sed			
		A26L-662001 to A26L-664335	DL	4 Dr Sed			
		A26L-732001 to A26L-733716	DL	2 Dr Sed			
		A26L-808001 to A26L-810329	GF	2 Dr H.T.			
		A26L-909001 to A26L-911391	DL	2 Dr Cpe			
		A66L-302001 to A66L-305250	DL	4 Dr S/W			
		A66L-612001 to A66L-614099	DL	4 Dr S/W			
		A66L-710001 to A66L-713104	DL	4 Dr S/W			
		A67L-010001 to A67L-021446	Std	4 Dr S/W 4x4			

Cont.

IDENTIFICATION

MODEL REFERENCE (Cont.)

YEAR	CHASSIS NUMBERS	MODEL	BODY STYLE	ENGINE	TRANSAXLE		
1978	A26L-211109 to A26L-215000	Std	2 Dr Sed	1600cc (1.6 Litre)	4 Speed		
	A26L-311168 to A26L-314500	GF	2 Dr H.T.		Auto		
	A26L-412217 to A26L-419000	DL	2 Dr Sed		4 Speed		
	A26L-508788 to A26L-511000	DL	4 Dr Sed		4 Speed		
	A26L-613685 to A26L-618500	DL	4 Dr Sed		Auto		
	A26L-664336 to A26L-670000	DL	4 Dr Sed		5 Speed		
	A26L-733717 to A26L-739000	DL	2 Dr Sed		Auto		
	A26L-810330 to A26L-816500	GF	2 Dr H.T.		5 Speed		
	A26L-911392 to A26L-915500	DL	2 Dr Cpe		5 Speed		
	A26L-960001 to A26L-963500	FE	2 Dr Cpe		5 Speed		
	A66L-305251 to A66L-313000	DL	4 Dr S/W		5 Speed		
	A66L-614100 to A66L-619000	DL	4 Dr S/W		Auto		
	A66L-713105 to A66L-716500	DL	4 Dr S/W		4 Speed		
	A67L-021447 to A67L-047000	DL	4 Dr S/W 4x4		4 Speed		
	A69L-002001 to A69L-026000	Std	2 Dr Brat 4x4		4 Speed		
	1979	A26L-215001 & Up	Std		2 Dr Sed	1600cc (1.6 Litre)	4 Speed
		A26L-314501 & Up	GF		2 Dr H.T.		Auto
A26L-419001 & Up		DL	2 Dr Sed	4 Speed			
A26L-511001 & Up		DL	4 Dr Sed	4 Speed			
A26L-618501 & Up		DL	4 Dr Sed	Auto			
A26L-670001 & Up		DL	4 Dr Sed	5 Speed			
A26L-739001 & Up		DL	2 Dr Sed	Auto			
A26L-816501 & Up		GF	2 Dr H.T.	5 Speed			
A26L-915501 & Up		DL	2 Dr Cpe	5 Speed			
A26L-963501 & Up		FE	2 Dr Cpe	5 Speed			
A66L-313001 & Up		DL	4 Dr S/W	5 Speed			
A66L-619001 & Up		DL	4 Dr S/W	Auto			
A66L-716501 & Up		DL	4 Dr S/W	4 Speed			
A67L-047001 & Up		DL	4 Dr S/W 4x4	4 Speed			
A67L-502001 & Up		GL	4 Dr S/W 4x4	4 Speed			
A69L-026001 to A69L-041000		DL	2 Dr Brat 4x4	4 Speed			
A69L-505001 to A69L-515000		GL	2 Dr Brat 4x4	4 Speed			
1980	A69L-041001 & Up	DL	2 Dr Brat 4x4	1600cc (1.6 Litre)	4 Speed		
	A69L-515001 & Up	GL	2 Dr Brat 4x4		4 Speed		
	JF1 AB21FXAG002001 & Up	DL	4 Dr Sed		1600cc (1.6 Litre)	4 Speed	
	JF1 AB21FXAG202001 & Up	GL	4 Dr Sed		1600cc (1.6 Litre)	5 Speed	
	JF1 AB21FXAG802001 & Up	DL	4 Dr Sed		1600cc (1.6 Litre)	4 Speed	
	JF1 AB41FXAG502001 & Up	GL	4 Dr Sed		1800cc (1.8 Litre)	Auto	
	JF1 AF21FXAG002001 & Up	Std	2 Dr H.B.		1600cc (1.6 Litre)	4 Speed	
	JF1 AF21FXAG202001 & Up	DL	2 Dr H.B.		1600cc (1.6 Litre)	5 Speed	
	JF1 AF21FXAG402001 & Up	DL	2 Dr H.B.		1600cc (1.6 Litre)	5 Speed	
	JF1 AF21FXAG802001 & Up	Std	2 Dr H.B.		1600cc (1.6 Litre)	4 Speed	
	JF1 AF41FXAG502001 & Up	DL	2 Dr H.B.		1800cc (1.8 Litre)	Auto	
	JF1 AM21FXAG002001 & Up	DL	4 Dr S/W		1600cc (1.6 Litre)	4 Speed	
	JF1 AM21FXAG202001 & Up	GL	4 Dr S/W		1600cc (1.6 Litre)	5 Speed	
	JF1 AM41FXAG502001 & Up	GL	4 Dr S/W		1800cc (1.8 Litre)	Auto	
	JF1 AW21FXAG202001 & Up	GLF	2 Dr H.T.		1600cc (1.6 Litre)	5 Speed	
	JF1 AW21FXAG402001 & Up	DL	2 Dr H.T.		1600cc (1.6 Litre)	5 Speed	
	JF1 AW21FXAG502001 & Up	DL	2 Dr H.T.		1600cc (1.6 Litre)	5 Speed	
	JF1 AW41FXAG502001 & Up	GLF	2 Dr H.T.		1800cc (1.8 Litre)	Auto	
	JF2 AF31FXAG702001 & Up	Std,DL	2 Dr H.B. 4x4		1600cc (1.6 Litre)	4 Speed	
	JF2 AM31FXAG702001 & Up	DL,GL	4 Dr S/W 4x4		1600cc (1.6 Litre)	4 Speed	
1981	JF1AB22BXBA200001 & Up	DL	4 Dr Sed	1600cc (1.6 Litre)	4 Speed		
	JF1AB22BxBB200001 & Up	DL	4 Dr Sed		5 Speed		
	JF1AB43BxBB200001 & Up	GL	4 Dr Sed		1800cc (1.8 Litre)	5 Speed	
	JF1AB43BXC200001 & Up	GL	4 Dr Sed		1800cc (1.8 Litre)	Auto	
	JF1AF21BXBA100001 & Up	Std	2 Dr H.B.		1600cc (1.6 Litre)	4 Speed	
	JF1AF22BxBB100001 & Up	DL	2 Dr H.B.		1600cc (1.6 Litre)	5 Speed	
	JF1AF43BxBB100001 & Up	GL	2 Dr H.B.		1800cc (1.8 Litre)	5 Speed	
	JF1AF43BXC100001 & Up	GL	2 Dr H.B.		1800cc (1.8 Litre)	Auto	
	JF1AM42BXBA400001 & Up	DL	4 Dr S/W		1800cc (1.8 Litre)	4 Speed	
	JF1AM42BxBB400001 & Up	DL	4 Dr S/W		1800cc (1.8 Litre)	5 Speed	
	JF1AM43BxBB400001 & Up	GL	4 Dr S/W		1800cc (1.8 Litre)	5 Speed	
	JF1AM43BXC400001 & Up	GL	4 Dr S/W		1800cc (1.8 Litre)	Auto	
	JF1AW22BXBA300001 & Up	DL	2 Dr H.T.		1600cc (1.6 Litre)	4 Speed	
	JF1AW22BxBB300001 & Up	DL	2 Dr H.T.		1600cc (1.6 Litre)	5 Speed	
	JF1AW44BxBB300001 & Up	GLF	2 Dr H.T.		1800cc (1.8 Litre)	5 Speed	
	JF1AW44BXC300001 & Up	GLF	2 Dr H.T.		1800cc (1.8 Litre)	Auto	
	JF2AF51BXBD100001 & Up	Std	2 Dr H.B. 4x4		1800cc (1.8 Litre)	4 Speed	
	JF2AF52BXBD100001 & Up	DL	2 Dr H.B. 4x4		1800cc (1.8 Litre)	4 Speed	
	JF2AF53BXBE100001 & Up	GL	2 Dr H.B. 4x4		1800cc (1.8 Litre)	4 Speed, Dual Range	

IDENTIFICATION

MODEL REFERENCE (Cont.)

YEAR	CHASSIS NUMBERS	MODEL	BODY STYLE	ENGINE	TRANSAXLE	
1981 (Cont.)	JF2AM52BXBD400001 & Up	DL	4 Dr S/W 4x4	1800cc (1.8 Litre)	4 Speed	
	JF2AM53BXBE400001 & Up	GL	4 Dr S/W 4x4	1800cc (1.8 Litre)	4 Speed, Dual Range	
	JF2AR52BXBD500001 & Up	DL	2 Dr Brat 4x4	1800cc (1.8 Litre)	4 Speed	
1982	JF2AR53BXBE500001 & Up	GL	2 Dr Brat 4x4	1800cc (1.8 Litre)	4 Speed, Dual Range	
	JF1AB22BXCA200001 & Up	DL	4 Dr Sed	1600cc (1.6 Litre)	4 Speed	
	JF1AB22BXC200001 & Up	DL	4 Dr Sed	1600cc (1.6 Litre)	5 Speed	
	JF1AB43BXC200001 & Up	GL	4 Dr Sed	1800cc (1.8 Litre)	5 Speed	
	JF1AB43BXCC200001 & Up	GL	4 Dr Sed	1800cc (1.8 Litre)	Auto	
	JF1AF21BXCA100001 & Up	Std	2 Dr H.B.	1600cc (1.6 Litre)	4 Speed	
	JF1AF22BXC100001 & Up	DL	2 Dr H.B.	1600cc (1.6 Litre)	5 Speed	
	JF1AF43BXC100001 & Up	GL	2 Dr H.B.	1800cc (1.8 Litre)	5 Speed	
	JF1AF43BXCC100001 & Up	GL	2 Dr H.B.	1800cc (1.8 Litre)	Auto	
	JF1AM42BXCA400001 & Up	DL	4 Dr S/W	1800cc (1.8 Litre)	4 Speed	
	JF1AM42BXC400001 & Up	DL	4 Dr S/W	1800cc (1.8 Litre)	5 Speed	
	JF1AM43BXC400001 & Up	GL	4 Dr S/W	1800cc (1.8 Litre)	5 Speed	
	JF1AM43BXCC400001 & Up	GL	4 Dr S/W	1800cc (1.8 Litre)	Auto	
	JF1AW22BXCA300001 & Up	DL	2 Dr H.T.	1600cc (1.6 Litre)	4 Speed	
	JF1AW22BXC300001 & Up	DL	2 Dr H.T.	1600cc (1.6 Litre)	5 Speed	
	JF1AW44BXC300001 & Up	GLF	2 Dr H.T.	1800cc (1.8 Litre)	5 Speed	
	JF1AW44BXCC300001 & Up	GLF	2 Dr H.T.	1800cc (1.8 Litre)	Auto	
	JF2AF51BXCD100001 & Up	Std	2 Dr H.B. 4x4	1800cc (1.8 Litre)	4 Speed	
	JF2AF52BXCD100001 & Up	DL	2 Dr H.B. 4x4	1800cc (1.8 Litre)	4 Speed	
	JF2AF53BXCE100001 & Up	GL	2 Dr H.B. 4x4	1800cc (1.8 Litre)	4 Speed, Dual Range	
	JF2AM52BXCD400001 & Up	DL	4 Dr S/W 4x4	1800cc (1.8 Litre)	4 Speed	
	JF2AM53BXCE400001 & Up	GL	4 Dr S/W 4x4	1800cc (1.8 Litre)	4 Speed, Dual Range	
	JF2AT52BXCD500001 & Up	DL	2 Dr Brat 4x4	1800cc (1.8 Litre)	4 Speed	
	JF2AT53BXCE500001 & Up	GL	2 Dr Brat 4x4	1800cc (1.8 Litre)	4 Speed, Dual Range	
	1983	JF1AB22BXDB200001 & Up	DL	4 Dr Sed	1600cc (1.6 Litre)	5 Speed
		JF1AB43BXDB200001 & Up	GL	4 Dr Sed	1800cc (1.8 Litre)	5 Speed
		JF1AB43BXDC200001 & Up	GL	4 Dr Sed	1800cc (1.8 Litre)	Auto
JF1AF21BXDA100001 & Up		Std	2 Dr H.B.	1600cc (1.6 Litre)	4 Speed	
JF1AF22BXDB100001 & Up		DL	2 Dr H.B.	1600cc (1.6 Litre)	5 Speed	
JF1AF43BXDB100001 & Up		GL	2 Dr H.B.	1800cc (1.8 Litre)	5 Speed	
JF1AF43BXDC100001 & Up		GL	2 Dr H.B.	1800cc (1.8 Litre)	Auto	
JF1AM42BXDB400001 & Up		DL	4 Dr S/W	1800cc (1.8 Litre)	5 Speed	
JF1AM43BXDB400001 & Up		GL	4 Dr S/W	1800cc (1.8 Litre)	5 Speed	
JF1AM43BXDC400001 & Up		GL	4 Dr S/W	1800cc (1.8 Litre)	Auto	
JF1AW22BXDB300001 & Up		DL	2 Dr H.T.	1600cc (1.6 Litre)	5 Speed	
JF1AW43BXDB300001 & Up		GL	2 Dr H.T.	1800cc (1.8 Litre)	5 Speed	
JF1AW43BXDC300001 & Up		GL	2 Dr H.T.	1800cc (1.8 Litre)	Auto	
JF2AF51BXDD100001 & Up		Std	2 Dr H.B. 4x4	1800cc (1.8 Litre)	4 Speed	
JF2AF53BXDE100001 & Up		GL	2 Dr H.B. 4x4	1800cc (1.8 Litre)	4 Speed, Dual Range	
JF2AM52BXDD400001 & Up		DL	4 Dr S/W 4x4	1800cc (1.8 Litre)	4 Speed	
JF2AM53BXDE400001 & Up		GL	4 Dr S/W 4x4	1800cc (1.8 Litre)	4 Speed, Dual Range	
JF2AM53BXDF400001 & Up		GL	4 Dr S/W 4x4	1800cc (1.8 Litre)	Auto	
JF2AT52BXDD500001 & Up		DL	2 Dr Brat 4x4	1800cc (1.8 Litre)	4 Speed	
JF2AT53BXDE500001 & Up		GL	2 Dr Brat 4x4	1800cc (1.8 Litre)	4 Speed, Dual Range	
JF2AT53BXDF500001 & Up		GL	2 Dr Brat 4x4	1800cc (1.8 Litre)	Auto	
1984		JF1AB22BXEB200001 & Up	DL	4 Dr Sed	1600cc (1.6 Litre)	5 Speed
		JF1AB43BXEB200001 & Up	GL	4 Dr Sed	1800cc (1.8 Litre)	5 Speed
		JF1AB43BXEC200001 & Up	GL	4 Dr Sed	1800cc (1.8 Litre)	Auto
		JF1AF21BXEA100001 & Up	Std	2 Dr H.B.	1600cc (1.6 Litre)	4 Speed
		JF1AF22BXEB100001 & Up	DL	2 Dr H.B.	1600cc (1.6 Litre)	5 Speed
		JF1AF43BXEB100001 & Up	GL	2 Dr H.B.	1800cc (1.8 Litre)	5 Speed
	JF1AF43BXEC100001 & Up	GL	2 Dr H.B.	1800cc (1.8 Litre)	Auto	
	JF1AM42BXEB400001 & Up	DL	4 Dr S/W	1800cc (1.8 Litre)	5 Speed	
	JF1AM43BXEB400001 & Up	GL	4 Dr S/W	1800cc (1.8 Litre)	5 Speed	
	JF1AM43BXEC400001 & Up	GL	4 Dr S/W	1800cc (1.8 Litre)	Auto	
	JF1AW22BXEB300001 & Up	DL	2 Dr H.T.	1600cc (1.6 Litre)	5 Speed	
	JF1AW43BXEB300001 & Up	GL	2 Dr H.T.	1800cc (1.8 Litre)	5 Speed	
	JF1AW43BXEC300001 & Up	GL	2 Dr H.T.	1800cc (1.8 Litre)	Auto	
	JF2AB53BXEF200001 & Up	GL	4 Dr Sed 4x4	1800cc (1.8 Litre)	Auto	
	JF2AF53BXEE100001 & Up	GL	2 Dr H.B. 4x4	1800cc (1.8 Litre)	4 Speed, Dual Range	
	JF2AM52BXED400001 & Up	DL	4 Dr S/W 4x4	1800cc (1.8 Litre)	4 Speed	
	JF2AM53BXEE400001 & Up	GL	4 Dr S/W 4x4	1800cc (1.8 Litre)	4 Speed, Dual Range	
	JF2AM53BXEF400001 & Up	GL	4 Dr S/W 4x4	1800cc (1.8 Litre)	Auto	
	JF2AM55BXEF400001 & Up	GL	4 Dr S/W 4x4	1800cc (1.8 Litre)	Auto, Turbo	
	JF2AT53BXEE500001 & Up	GL	2 Dr Brat 4x4	1800cc (1.8 Litre)	4 Speed, Dual Range	
	JF2AT53BXEF500001 & Up	GL	2 Dr Brat 4x4	1800cc (1.8 Litre)	Auto	
	JF2AT55BXEF500001 & Up	GL	2 Dr Brat 4x4	1800cc (1.8 Litre)	Auto, Turbo	
	JF2AW55BXEF300001 & Up	GL	2 Dr H.T. 4x4	1800cc (1.8 Litre)	Auto, Turbo	

Cont.

IDENTIFICATION

MODEL REFERENCE (Cont.)

YEAR	CHASSIS NUMBERS	MODEL	BODY STYLE	ENGINE	TRANSAXLE	
1985	JF1AC42BXFA200001 & Up	DL	4 Dr Sed	1800cc (1.8 Litre) O.H.C.	4 Speed	
	JF1AC42BXFB200001 & Up	DL	4 Dr Sed	1800cc (1.8 Litre) O.H.C.	5 Speed	
	JF1AC43BXFB200001 & Up	GL	4 Dr Sed	1800cc (1.8 Litre) O.H.C.	5 Speed	
	JF1AC43BXFC200001 & Up	GL	4 Dr Sed	1800cc (1.8 Litre) O.H.C.	Auto	
	JF1AC44BXFB200001 & Up	GL-10	4 Dr Sed	1800cc (1.8 Litre) O.H.C.	5 Speed	
	JF1AC44BXFC200001 & Up	GL-10	4 Dr Sed	1800cc (1.8 Litre) O.H.C.	Auto	
	JF1AF21BXFA100001 & Up	Std	2 Dr Sed H.B.	1600cc (1.6 Litre) O.H.V.	4 Speed	
	JF1AF43BXFB100001 & Up	GL	2 Dr Sed H.B.	1800cc (1.8 Litre) O.H.V.	5 Speed	
	JF1AF43BXFC100001 & Up	GL	2 Dr Sed H.B.	1800cc (1.8 Litre) O.H.V.	Auto	
	JF1AN42BXFB400001 & Up	DL	4 Dr S/W	1800cc (1.8 Litre) O.H.C.	5 Speed	
	JF1AN43BXFB400001 & Up	GL	4 Dr S/W	1800cc (1.8 Litre) O.H.C.	5 Speed	
	JF1AN43BXFC400001 & Up	GL	4 Dr S/W	1800cc (1.8 Litre) O.H.C.	Auto	
	JF1AN44BXFB400001 & Up	GL-10	4 Dr S/W	1800cc (1.8 Litre) O.H.C.	5 Speed	
	JF1AN44BXFC400001 & Up	GL-10	4 Dr S/W	1800cc (1.8 Litre) O.H.C.	Auto	
	JF1AN53BXFE400001 & Up	GL	4 Dr S/W 4x4	1800cc (1.8 Litre) O.H.C.	5 Speed, Dual Range	
	JF1AN53BXFF400001 & Up	GL	4 Dr S/W 4x4	1800cc (1.8 Litre) O.H.C.	Auto	
	JF1AX42BXFB300001 & Up	DL	2 Dr Cpe XT	1800cc (1.8 Litre) O.H.C.	5 Speed	
	JF1AX43BXFB300001 & Up	GL	2 Dr Cpe XT	1800cc (1.8 Litre) O.H.C.	5 Speed	
	JF1AX43BXFC300001 & Up	GL	2 Dr Cpe XT	1800cc (1.8 Litre) O.H.C.	Auto	
	JF1AX45BXFB300001 & Up	GL-10	2 Dr Cpe XT	1800cc (1.8 Litre) O.H.C.	5 Speed, Turbo	
	JF1AX45BXFC300001 & Up	GL-10	2 Dr Cpe XT	1800cc (1.8 Litre) O.H.C.	Auto, Turbo	
	JF2AC53BXFF200001 & Up	GL	4 Dr Sed 4x4	1800cc (1.8 Litre) O.H.C.	Auto	
	JF2AC56BXFE200001 & Up	RX	4 Dr Sed 4x4	1800cc (1.8 Litre) O.H.C.	5 Spd, Dual Range, Turbo	
	JF2AC75BXFE200001 & Up	Turbo	4 Dr Sed 4x4	1800cc (1.8 Litre) O.H.C.	5 Spd, Dual Range, Turbo	
	JF2AC75BXFF200001 & Up	Turbo	4 Dr Sed 4x4	1800cc (1.8 Litre) O.H.C.	Auto Turbo	
	JF2AF53BXFE100001 & Up	GL	2 Dr Sed H.B. 4x4	1800cc (1.8 Litre) O.H.C.	4 Speed, Dual Range	
	JF2AN52BXFD400001 & Up	DL	4 Dr S/W 4x4	1800cc (1.8 Litre) O.H.C.	5 Speed, Single Range	
	JF2AN55BXFF400001 & Up	Turbo	4 Dr S/W 4x4	1800cc (1.8 Litre) O.H.C.	Auto, Turbo	
	JF2AT53BXFE500001 & Up	GL	2 Dr Brat 4x4	1800cc (1.8 Litre) O.H.V.	4 Speed, Dual Range	
	JF2AT53BXFF500001 & Up	GL	2 Dr Brat 4x4	1800cc (1.8 Litre) O.H.V.	Auto	
	JF2AX75BXFD300001 & Up	GL-10	2 Dr Cpe XT 4x4	1800cc (1.8 Litre) O.H.C.	5 Spd, Single Range, Turbo	
	JF2AX75BXFF300001 & Up	GL-10	2 Dr Cpe XT 4x4	1800cc (1.8 Litre) O.H.C.	Auto, Turbo	
	1986-87	JF1AC42BXGB200001 & Up	DL	4 Dr Sed	1800cc (1.8 Litre) O.H.C.	5 Speed
		JF1AC43BXGB200001 & Up	DL	4 Dr Sed	1800cc (1.8 Litre) O.H.C.	5 Speed
		JF1AC43BXGC200001 & Up	GL	4 Dr Sed	1800cc (1.8 Litre) O.H.C.	Auto
		JF1AC44BXGC200001 & Up	GL-10	4 Dr Sed	1800cc (1.8 Litre) O.H.C.	Auto
		JF1AC45BXGB200001 & Up	GL-10	4 Dr Sed	1800cc (1.8 Litre) O.H.C.	5 Speed, Turbo
		JF1AC45BXGC200001 & Up	GL-10	4 Dr Sed	1800cc (1.8 Litre) O.H.C.	Auto, Turbo
		JF1AF21BXGA100001 & Up	Std	2 Dr Sed H.B.	1600cc (1.6 Litre) O.H.V.	4 Speed
		JF1AF23BXGB100001 & Up	GL	2 Dr Sed H.B.	1600cc (1.6 Litre) O.H.V.	5 Speed
JF1AF43BXGB100001 & Up		GL	2 Dr Sed H.B.	1800cc (1.8 Litre) O.H.V.	5 Speed	
JF1AF43BXGC100001 & Up		GL	2 Dr Sed H.B.	1800cc (1.8 Litre) O.H.V.	Auto	
JF1AG42BXGB800001 & Up		DL	2 Dr Cpe H.B.	1800cc (1.8 Litre) O.H.C.	5 Speed	
JF1AG43BXGB800001 & Up		GL	2 Dr Cpe H.B.	1800cc (1.8 Litre) O.H.C.	5 Speed	
JF1AG43BXGC800001 & Up		GL	2 Dr Cpe H.B.	1800cc (1.8 Litre) O.H.C.	Auto	
JF1AW42BXGB400001 & Up		DL	4 Dr S/W	1800cc (1.8 Litre) O.H.C.	5 Speed	
JF1AN43BXGB400001 & Up		GL	4 Dr S/W	1800cc (1.8 Litre) O.H.C.	5 Speed	
JF1AN43BXGC400001 & Up		GL	4 Dr S/W	1800cc (1.8 Litre) O.H.C.	Auto	
JF1AN44BXGC400001 & Up		GL-10	4 Dr S/W	1800cc (1.8 Litre) O.H.C.	Auto	
JF1AN45BXGB400001 & Up		GL-10	4 Dr S/W	1800cc (1.8 Litre) O.H.C.	5 Speed, Turbo	
JF1AN45BXGC400001 & Up		GL-10	4 Dr S/W	1800cc (1.8 Litre) O.H.C.	Auto, Turbo	
JF1AX42BXGB300001 & Up		DL	2 Dr Cpe XT	1800cc (1.8 Litre) O.H.C.	5 Speed	
JF1AX43BXGB300001 & Up		GL	2 Dr Cpe XT	1800cc (1.8 Litre) O.H.C.	5 Speed	
JF1AX43BXGC300001 & Up		GL	2 Dr Cpe XT	1800cc (1.8 Litre) O.H.C.	Auto	
JF1AX45BXGB300001 & Up		GL-10	2 Dr Cpe XT	1800cc (1.8 Litre) O.H.C.	5 Speed, Turbo	
JF1AX45BXGC300001 & Up		GL-10	2 Dr Cpe XT	1800cc (1.8 Litre) O.H.C.	Auto, Turbo	
JF2AC53BXGE200001 & Up		GL	4 Dr Sed 4x4	1800cc (1.8 Litre) O.H.C.	5 Speed, Dual Range	
JF2AC53BXGF200001 & Up		GL	4 Dr Sed 4x4	1800cc (1.8 Litre) O.H.C.	Auto	
JF2AC56BXGE200001 & Up		RX	4 Dr Sed 4x4	1800cc (1.8 Litre) O.H.C.	5 Speed, Single Range, Turbo	
JF2AC75BXGD200001 & Up		Turbo	4 Dr Sed 4x4	1800cc (1.8 Litre) O.H.C.	5 Speed, Single Range, Turbo	
JF2AC75BXGF200001 & Up		Turbo	4 Dr Sed 4x4	1800cc (1.8 Litre) O.H.C.	Auto, Turbo	
JF2AF53BXGB100001 & Up		GL	2 Dr Sed H.B. 4x4	1800cc (1.8 Litre) O.H.V.	4 Speed, Dual Range	
JF2AG53BXGE800001 & Up		GL	2 Dr Cpe H.B. 4x4	1800cc (1.8 Litre) O.H.C.	5 Speed, Dual Range	

IDENTIFICATION

MODEL REFERENCE (Cont.)

YEAR	CHASSIS NUMBERS	MODEL	BODY STYLE	ENGINE	TRANSAXLE
1986-87 (Cont.)	JF2AG53BXGF800001 & Up	GL	2 Dr Cpe H.B. 4x4	1800cc (1.8 Litre) O.H.C.	Auto
	JF2AG55BXGE800001 & Up	Turbo 4x4	2 Dr Cpe H.B.	1800cc (1.8 Litre) O.H.C.	Auto, Turbo
	JF2AN52BXGD400001 & Up	DL	4 Dr S/W 4x4	1800cc (1.8 Litre) O.H.C.	5 Speed, Single Range
	JF2AN53BXGE400001 & Up	GL	4 Dr S/W 4x4	1800cc (1.8 Litre) O.H.C.	5 Speed, Dual Range
	JF2AN53BXGF400001 & Up	GL	4 Dr S/W 4x4	1800cc (1.8 Litre) O.H.C.	Auto, Dual Range
	JF2AN55BXGD400001 & Up	Turbo	4 Dr S/W 4x4	1800cc (1.8 Litre) O.H.C.	5 Speed, Single Range, Turbo
	JF2AN55BXGF400001 & Up	Turbo	4 Dr S/W 4x4	1800cc (1.8 Litre) O.H.C.	Auto, Turbo
	JF2AX75BXGD300001 & Up	Turbo	2 Dr Cpe XT 4x4	1800cc (1.8 Litre) O.H.C.	5 Speed, Single Range, Turbo
	JF2AX75BXGF300001 & Up	Turbo	2 Dr Cpe XT 4x4	1800cc (1.8 Litre) O.H.C.	Auto, Turbo
	JF3AU53BXGE500001 & Up	GL	2 Dr Brat 4x4	1800cc (1.8 Litre) O.H.V.	4 Speed, Dual Range
1988	JF1AC42BXJB200001 & Up	DL	4 Dr Sed	1800cc (1.8 Litre) O.H.C.	5 Speed
	JF1AC42BXJC200001 & Up	DL	4 Dr Sed	1800cc (1.8 Litre) O.H.C.	Auto
	JF1AC43BXJB200001 & Up	GL	4 Dr Sed	1800cc (1.8 Litre) O.H.C.	5 Speed
	JF1AC432XJC200001 & Up	GL	4 Dr Sed	1800cc (1.8 Litre) O.H.C.	Auto
	JF1AC43BXJC200001 & Up	GL	4 Dr Sed	1800cc (1.8 Litre) O.H.C.	Auto
	JF1AC442XJC200001 & Up	GL-10	4 Dr Sed	1800cc (1.8 Litre) O.H.C.	Auto
	JF1AC44BXJC200001 & Up	GL-10	4 Dr Sed	1800cc (1.8 Litre) O.H.C.	Auto
	JF1AC45BXJB200001 & Up	GL-10 Turbo	4 Dr Sed	1800cc (1.8 Litre) O.H.C.	5 Speed
	JF1AC452XJC200001 & Up	GL-10 Turbo	4 Dr Sed	1800cc (1.8 Litre) O.H.C.	Auto
	JF1AC45BXJC200001 & Up	GL-10 Turbo	4 Dr Sed	1800cc (1.8 Litre) O.H.C.	Auto
	JF1AF21BXJB100001 & Up	Std	2 Dr Sed	1600cc (1.6 Litre) O.H.V.	5 Speed
	JF1AF43BXJB100001 & Up	GL	2 Dr Sed	1800cc (1.8 Litre) O.H.V.	5 Speed
	JF1AF43BXJC100001 & Up	GL	2 Dr Sed	1800cc (1.8 Litre) O.H.V.	Auto
	JF1AG42BXJB800001 & Up	DL	3 Dr	1800cc (1.8 Litre) O.H.C.	5 Speed
	JF1AG42BXJC800001 & Up	DL	3 Dr	1800cc (1.8 Litre) O.H.C.	Auto
	JF1AG43BXJB800001 & Up	GL	3 Dr	1800cc (1.8 Litre) O.H.C.	5 Speed
	JF1AG43BXJC800001 & Up	GL	3 Dr	1800cc (1.8 Litre) O.H.C.	Auto
	JF1AN42BXJB400001 & Up	DL	4 Dr S/W	1800cc (1.8 Litre) O.H.C.	5 Speed
	JF1AN42BXJC400001 & Up	DL	4 Dr S/W	1800cc (1.8 Litre) O.H.C.	Auto
	JF1AN43BXJB400001 & Up	GL	4 Dr S/W	1800cc (1.8 Litre) O.H.C.	5 Speed
	JF1AN432XJC400001 & Up	GL	4 Dr S/W	1800cc (1.8 Litre) O.H.C.	Auto
	JF1AN442XJC400001 & Up	GL-10	4 Dr S/W	1800cc (1.8 Litre) O.H.C.	Auto
	JF1AN44BXJC400001 & Up	GL-10	4 Dr S/W	1800cc (1.8 Litre) O.H.C.	Auto
	JF1AN45BXJB400001 & Up	GL-10 Turbo	4 Dr S/W	1800cc (1.8 Litre) O.H.C.	5 Speed
	JF1AN452XJC400001 & Up	GL-10 Turbo	4 Dr S/W	1800cc (1.8 Litre) O.H.C.	Auto
	JF1AN45BXJC400001 & Up	GL-10 Turbo	4 Dr S/W	1800cc (1.8 Litre) O.H.C.	Auto
	JF1AX422XJB300001 & Up	DL	2 Dr Cpe XT	1800cc (1.8 Litre) O.H.C.	5 Speed
	JF1AX432XJB300001 & Up	GL	2 Dr Cpe XT	1800cc (1.8 Litre) O.H.C.	5 Speed
	JF1AX432XJC300001 & Up	GL	2 Dr Cpe XT	1800cc (1.8 Litre) O.H.C.	4 Speed Auto
	JF1AX732XJD300001 & Up	GL	2 Dr Cpe XT 4x4	1800cc (1.8 Litre) O.H.C.	4 Speed, Single Range
	JF1AX73BXJD300001 & Up	GL	2 Dr Cpe XT 4x4	1800cc (1.8 Litre) O.H.C.	4 Speed, Single Range
	JF1AX732XJF300001 & Up	GL	2 Dr Cpe XT 4x4	1800cc (1.8 Litre) O.H.C.	Full Time, Auto
	JF1AX842XJC300001 & Up	XT6	2 Dr Cpe XT	2700cc (2.7 Litre) O.H.C.	4 Speed Auto
	JF1AX942XJG300001 & Up	XT6	2 Dr Cpe XT 4x4	2700cc (2.7 Litre) O.H.C.	Full Time, Single Range
	JF1AX942XJH300001 & Up	XT6	2 Dr Cpe XT 4x4	2700cc (2.7 Litre) O.H.C.	Full Time, Auto
	JF1KA72AXJB700001 & Up	DL	3 Dr Justy	1200cc (1.2 Litre) O.H.C.	5 Speed
	JF1KA73AXJB700001 & Up	GL	3 Dr Justy	1200cc (1.2 Litre) O.H.C.	5 Speed
	JF2AC53BXJE200001 & Up	GL	4 Dr Sed 4x4	1800cc (1.8 Litre) O.H.C.	5 Speed, Single Range
	JF2AC53BXJF200001 & Up	GL	4 Dr Sed 4x4	1800cc (1.8 Litre) O.H.C.	Full Time, Auto
	JF2AC56BXJG200001 & Up	RX Turbo	4 Dr Sed 4x4	1800cc (1.8 Litre) O.H.C.	Full Time, Dual Range
	JF2AC75BXJG200001 & Up	GL-10 Turbo	4 Dr Sed 4x4	1800cc (1.8 Litre) O.H.C.	Full Time, Single Range
	JF2AC75BXJH200001 & Up	GL-10 Turbo	4 Dr Sed 4x4	1800cc (1.8 Litre) O.H.C.	Full Time, Auto
	JF2AF51BXJ4100001 & Up	Std	2 Dr 4x4	1600cc (1.6 Litre) O.H.V.	5 Speed, Single Range
	JF2AF53BXJE100001 & Up	GL	2 Dr 4x4	1800cc (1.8 Litre) O.H.V.	5 Speed, Dual Range
	JF2AG53BXJE800001 & Up	GL	3 Dr 4x4	1800cc (1.8 Litre) O.H.C.	5 Speed, Dual Range
	JF2AG53BXJF800001 & Up	GL	3 Dr 4x4	1800cc (1.8 Litre) O.H.C.	Auto
	JF2AG56BXJG800001 & Up	RX Turbo	3 Dr 4x4	1800cc (1.8 Litre) O.H.C.	Full Time, Dual Range
	JF2AN52BXJD400001 & Up	DL	4 Dr S/W 4x4	1800cc (1.8 Litre) O.H.C.	Full Time, Single Range
	JF2AN53BXJE400001 & Up	GL	4 Dr S/W 4x4	1800cc (1.8 Litre) O.H.C.	Full Time, Dual Range
	JF2AN53BXJF400001 & Up	GL	4 Dr S/W 4x4	1800cc (1.8 Litre) O.H.C.	Auto
JF2AN55BXJG400001 & Up	GL-10 Turbo	4 Dr S/W 4x4	1800cc (1.8 Litre) O.H.C.	Full Time, Single Range	
JF2AN57BXJD400001 & Up	GL Turbo	4 Dr S/W 4x4	1800cc (1.8 Litre) O.H.C.	Full Time, Single Range	
JF2AN75BXJH400001 & Up	GL-10 Turbo	4 Dr S/W 4x4	1800cc (1.8 Litre) O.H.C.	Full Time, Auto	
JF2AX73BXJF300001 & Up	GL	2 Dr Cpe XT 4x4	1800cc (1.8 Litre) O.H.C.	Full Time, Auto	
JF2AX94BXJG300001 & Up	XT6	2 Dr Cpe XT 4x4	2700cc (2.7 Litre) O.H.C.	Full Time, Single Range	
JF2AX94BXJH300001 & Up	XT6	2 Dr Cpe XT 4x4	2700cc (2.7 Litre) O.H.C.	Full Time Auto	
JF2KA83AXJD700001 & Up	GL	3 Dr Justy 4x4	1200cc (1.2 Litre) O.H.C.	5 Speed	
JF3AU53BXJE500001 & Up	GL	2 Dr Brat 4x4	1800cc (1.8 Litre) O.H.V.	5 Speed, Dual Range	

Cont.

IDENTIFICATION

MODEL REFERENCE (Cont.)

YEAR	CHASSIS NUMBERS	MODEL	BODY STYLE	ENGINE	TRANSAXLE
1989	JF1AC42BXKB200001 & Up	DL	4 Dr Sed	1800cc (1.8 Litre) O.H.C.	5 Speed
	JF1AC42BXKC200001 & Up	DL	4 Dr Sed	1800cc (1.8 Litre) O.H.C.	Auto
	JF1AC43BXKB200001 & Up	GL	4 Dr Sed	1800cc (1.8 Litre) O.H.C.	5 Speed
	JF1AC43BXKC200001 & Up	GL	4 Dr Sed	1800cc (1.8 Litre) O.H.C.	Auto
	JF1AC432XKC200001 & Up	GL	4 Dr Sed	1800cc (1.8 Litre) O.H.C.	Auto
	JF1AC44BXKC200001 & Up	GL-10	4 Dr Sed	1800cc (1.8 Litre) O.H.C.	Auto
	JF1AC442XKC200001 & Up	GL-10	4 Dr Sed	1800cc (1.8 Litre) O.H.C.	Auto
	JF1AC452XKC200001 & Up	GL-10 Turbo	4 Dr Sed	1800cc (1.8 Litre) O.H.C.	Auto
	JF1AG42BXKB800001 & Up	DL	3 Dr	1800cc (1.8 Litre) O.H.C.	5 Speed
	JF1AG42BXKC800001 & Up	DL	3 Dr	1800cc (1.8 Litre) O.H.C.	Auto
	JF1AG43BXKB800001 & Up	GL	3 Dr	1800cc (1.8 Litre) O.H.C.	5 Speed
	JF1AG43BXKC800001 & Up	GL	3 Dr	1800cc (1.8 Litre) O.H.C.	Auto
	JF1AK43BXKB002001 & Up	GL	Touring Wagon	1800cc (1.8 Litre) O.H.C.	5 Speed
	JF1AK43BXKC002001 & Up	GL	Touring Wagon	1800cc (1.8 Litre) O.H.C.	Auto
	JF1AK44BXKC002001 & Up	GL-10	Touring Wagon	1800cc (1.8 Litre) O.H.C.	Auto
	JF1AK45BXKC002001 & Up	GL-10 Turbo	Touring Wagon	1800cc (1.8 Litre) O.H.C.	Auto
	JF1AN42BXKB400001 & Up	DL	4 Dr S/W	1800cc (1.8 Litre) O.H.C.	5 Speed
	JF1AN42BXKC400001 & Up	DL	4 Dr S/W	1800cc (1.8 Litre) O.H.C.	Auto
	JF1AN43BXKB400001 & Up	GL	4 Dr S/W	1800cc (1.8 Litre) O.H.C.	5 Speed
	JF1AN432XKC400001 & Up	GL	4 Dr S/W	1800cc (1.8 Litre) O.H.C.	Auto
	JF1AN44BXKC400001 & Up	GL-10	4 Dr S/W	1800cc (1.8 Litre) O.H.C.	Auto
	JF1AN442XKC400001 & Up	GL-10	4 Dr S/W	1800cc (1.8 Litre) O.H.C.	Auto
	JF1AN452XKC400001 & Up	GL-10 Turbo	4 Dr S/W	1800cc (1.8 Litre) O.H.C.	Auto
	JF1AN53BXKE400001 & Up	GL	4 Dr S/W 4x4	1800cc (1.8 Litre) O.H.C.	5 Speed Dual Range
	JF1AN53BXKF400001 & Up	GL	4 Dr S/W 4x4	1800cc (1.8 Litre) O.H.C.	Auto
	JF1AX842XKC300001 & Up	XT6	2 Dr Cpe	2700cc (2.7 Litre) O.H.C.	Auto
	JF1AX942XKG300001 & Up	XT6	2 Dr Cpe 4x4	2700cc (2.7 Litre) O.H.C.	Full Time, Single Range
	JF1AX942XKH300001 & Up	XT6	2 Dr Cpe 4x4	2700cc (2.7 Litre) O.H.C.	Auto
	JF1KA72AXKB700001 & Up	Justy DL	3 Dr	1200cc (1.2 Litre) O.H.C.	5 Speed
	JF1KA73AXKB700001 & Up	Justy GL	3 Dr	1200cc (1.2 Litre) O.H.C.	5 Speed
	JF1KA73AXKC700001 & Up	Justy GL	3 Dr	1200cc (1.2 Litre) O.H.C.	Auto
	JF2AC53BXKE200001 & Up	GL	4 Dr Sed 4x4	1800cc (1.8 Litre) O.H.C.	5 Speed, Dual Range
	JF2AC53BXKF200001 & Up	GL	4 Dr Sed 4x4	1800cc (1.8 Litre) O.H.C.	Auto
	JF2AC56BXJG200001 & Up	RX Turbo	4 Dr Sed 4x4	1800cc (1.8 Litre) O.H.C.	Full Time, Dual Range
	JF2AC75BXKG200001 & Up	GL-10 Turbo	4 Dr Sed 4x4	1800cc (1.8 Litre) O.H.C.	5 Speed, Single Range
	JF2AC75BXKH200001 & Up	GL-10 Turbo	4 Dr Sed 4x4	1800cc (1.8 Litre) O.H.C.	Auto
	JF2AF94BXKG300001 & Up	XT6	2 Dr 4x4	2700cc (2.7 Litre) O.H.C.	Full Time, Single Range
	JF2AG53BXKE800001 & Up	GL	3 Dr 4x4	1800cc (1.8 Litre) O.H.C.	5 Speed, Dual Range
	JF2AG53BXKF800001 & Up	GL	3 Dr 4x4	1800cc (1.8 Litre) O.H.C.	Auto
	JF2AG56BXJG800001 & Up	RX Turbo	2 Dr 4x4	1800cc (1.8 Litre) O.H.C.	5 Speed, Dual Range
	JF2AK53BXKE002001 & Up	GL	Touring Wagon 4x4	1800cc (1.8 Litre) O.H.C.	5 Speed, Dual Range
	JF2AK53BXKF002001 & Up	GL	Touring Wagon 4x4	1800cc (1.8 Litre) O.H.C.	Auto
	JF2AK57BXKD002001 & Up	GL Turbo	Touring Wagon 4x4	1800cc (1.8 Litre) O.H.C.	5 Speed, Single Range
	JF2AN57BXKD400001 & Up	GL Turbo	4 Dr S/W 4x4	1800cc (1.8 Litre) O.H.C.	5 Speed, Single Range
	JF2AX94BXKH300001 & Up	XT6	2 Dr Coupe 4x4	2700cc (2.7 Litre) O.H.C.	Auto
JF2KA83AXKD700001 & Up	Justy GL	3 Dr 4x4	1200cc (1.2 Litre) O.H.C.	5 Speed, Single Range	

MODEL REFERENCE
1990-2002

YEAR	MODEL	BODY STYLE	ENGINE	TRANSAXLE
1990	Justy DL	3 Dr	1200cc (1.2 Litre) O.H.C.	5 Speed
	Justy GL	3 Dr	1200cc (1.2 Litre) O.H.C.	5 Speed, ECVT
	Justy GL	3 Dr 4x4	1200cc (1.2 Litre) O.H.C.	5 Speed, ECVT
	Justy GL	5 Dr 4x4	1200cc (1.2 Litre) O.H.C.	5 Speed, ECVT
	Legacy	4 Dr Sed	2200cc (2.2 Litre) O.H.C.	5 Speed, Auto
	Legacy	4 Dr S/W	2200cc (2.2 Litre) O.H.C.	5 Speed, Auto
	Legacy L	4 Dr Sed	2200cc (2.2 Litre) O.H.C.	5 Speed, Auto
	Legacy L	4 Dr Sed 4x4	2200cc (2.2 Litre) O.H.C.	5 Speed, Auto
	Legacy L	4 Dr S/W	2200cc (2.2 Litre) O.H.C.	5 Speed, Auto
	Legacy L	4 Dr S/W 4x4	2200cc (2.2 Litre) O.H.C.	5 Speed, Auto
	Legacy L	Touring Wagon	2200cc (2.2 Litre) O.H.C.	5 Speed, Auto
	Legacy L	Touring Wagon 4x4	2200cc (2.2 Litre) O.H.C.	5 Speed, Auto

IDENTIFICATION

MODEL REFERENCE (Cont.)

YEAR	MODEL	BODY STYLE	ENGINE	TRANSAXLE	
1990 (Cont.)	Legacy LS	4 Dr Sed	2200cc (2.2 Litre) O.H.C.	5 Speed, Auto	
	Legacy LS	4 Dr Sed 4x4	2200cc (2.2 Litre) O.H.C.	5 Speed, Auto, Full Time	
	Legacy LS	4 Dr S/W	2200cc (2.2 Litre) O.H.C.	5 Speed, Auto	
	Legacy LS	4 Dr S/W 4x4	2200cc (2.2 Litre) O.H.C.	5 Speed, Auto, Full Time	
	Legacy LS	Touring Wagon	2200cc (2.2 Litre) O.H.C.	5 Speed, Auto	
	Legacy LS	Touring Wagon 4x4	2200cc (2.2 Litre) O.H.C.	5 Speed, Auto, Full Time	
	Legacy LS-D	4 Dr Sed 4x4	2200cc (2.2 Litre) O.H.C.	5 Speed, Auto, Full Time	
	Legacy LS-D	4 Dr S/W 4x4	2200cc (2.2 Litre) O.H.C.	5 Speed, Auto, Full Time	
	Legacy LS-D	Touring Wagon 4x4	2200cc (2.2 Litre) O.H.C.	5 Speed, Auto, Full Time	
	Loyale DL	3 Dr	1800cc (1.8 Litre) O.H.C.	5 Speed, Auto	
	Loyale DL	3 Dr 4x4	1800cc (1.8 Litre) O.H.C.	5 Speed, Auto	
	Loyale DL	4 Dr Sed	1800cc (1.8 Litre) O.H.C.	5 Speed, Auto	
	Loyale DL Turbo	4 Dr Sed	1800cc (1.8 Litre) O.H.C.	Auto	
	Loyale DL	4 Dr Sed 4x4	1800cc (1.8 Litre) O.H.C.	5 Speed, Auto	
	Loyale DL Turbo	4 Dr Sed 4x4	1800cc (1.8 Litre) O.H.C.	Auto	
	Loyale DL	4 Dr S/W	1800cc (1.8 Litre) O.H.C.	5 Speed, Auto	
	Loyale DL Turbo	4 Dr S/W	1800cc (1.8 Litre) O.H.C.	Auto	
	Loyale DL	4 Dr S/W 4x4	1800cc (1.8 Litre) O.H.C.	5 Speed, Auto	
	Loyale DL Turbo	4 Dr S/W 4x4	1800cc (1.8 Litre) O.H.C.	Auto	
	Loyale RS	3 Dr 4x4	1800cc (1.8 Litre) O.H.C.	5 Speed, Auto	
	Loyale RS Turbo	3 Dr 4x4	1800cc (1.8 Litre) O.H.C.	Auto	
	XT GL	2 Dr Cpe	1800cc (1.8 Litre) O.H.C.	5 Speed, Auto	
	XT GL	2 Dr Cpe 4x4	1800cc (1.8 Litre) O.H.C.	5 Speed, Auto, Full Time	
	XT-6	2 Dr Cpe	2700cc (2.7 Litre) O.H.C.	Auto	
	XT-6	2 Dr Cpe 4x4	2700cc (2.7 Litre) O.H.C.	5 Speed, Full Time	
	XT-6	2 Dr Cpe 4x4	2700cc (2.7 Litre) O.H.C.	Auto, Full Time	
	1991	Justy DL	3 Dr	1200cc (1.2 Litre) O.H.C.	5 Speed
		Justy GL	3 Dr	1200cc (1.2 Litre) O.H.C.	5 Speed, ECVT
		Justy GL	3 Dr 4x4	1200cc (1.2 Litre) O.H.C.	5 Speed, ECVT
		Justy GL	5 Dr 4x4	1200cc (1.2 Litre) O.H.C.	5 Speed, ECVT
		Legacy L	4 Dr Sed	2200cc (2.2 Litre) O.H.C.	5 Speed, Auto
		Legacy L	4 Dr Sed 4x4	2200cc (2.2 Litre) O.H.C.	5 Speed, Auto
Legacy L		4 Dr S/W	2200cc (2.2 Litre) O.H.C.	5 Speed, Auto	
Legacy L		4 Dr S/W 4x4	2200cc (2.2 Litre) O.H.C.	5 Speed, Auto	
Legacy LS		4 Dr Sed	2200cc (2.2 Litre) O.H.C.	5 Speed, Auto	
Legacy LS		4 Dr Sed 4x4	2200cc (2.2 Litre) O.H.C.	5 Speed, Auto	
Legacy LS		4 Dr S/W	2200cc (2.2 Litre) O.H.C.	5 Speed, Auto	
Legacy LS		4 Dr S/W 4x4	2200cc (2.2 Litre) O.H.C.	5 Speed, Auto	
Legacy Turbo		4 Dr Sed	2200cc (2.2 Litre) O.H.C.	Auto	
Legacy Turbo		4 Dr Sed 4x4	2200cc (2.2 Litre) O.H.C.	5 Speed, Auto	
Loyale DL		4 Dr Sed	1800cc (1.8 Litre) O.H.C.	5 Speed, Auto	
Loyale DL		4 Dr Sed 4x4	1800cc (1.8 Litre) O.H.C.	5 Speed, Auto	
Loyale DL		4 Dr S/W	1800cc (1.8 Litre) O.H.C.	5 Speed, Auto	
Loyale DL		4 Dr S/W 4x4	1800cc (1.8 Litre) O.H.C.	5 Speed, Auto	
XT GL		2 Dr Cpe	1800cc (1.8 Litre) O.H.C.	5 Speed, Auto	
XT-6		2 Dr Cpe	2700cc (2.7 Litre) O.H.C.	Auto	
XT-6		2 Dr Cpe 4x4	2700cc (2.7 Litre) O.H.C.	5 Speed, Auto	
1992		Justy DL	3 Dr	1200cc (1.2 Litre) O.H.C.	5 Speed
		Justy GL	3 Dr	1200cc (1.2 Litre) O.H.C.	5 Speed, ECVT
		Justy GL	3 Dr 4x4	1200cc (1.2 Litre) O.H.C.	5 Speed, ECVT
		Justy GL	5 Dr 4x4	1200cc (1.2 Litre) O.H.C.	5 Speed, ECVT
		Legacy L	4 Dr Sed	2200cc (2.2 Litre) O.H.C.	5 Speed, Auto
		Legacy L	4 Dr Sed 4x4	2200cc (2.2 Litre) O.H.C.	5 Speed, Auto
		Legacy L	4 Dr S/W	2200cc (2.2 Litre) O.H.C.	5 Speed, Auto
		Legacy L	4 Dr S/W 4x4	2200cc (2.2 Litre) O.H.C.	5 Speed, Auto
		Legacy LS	4 Dr Sed	2200cc (2.2 Litre) O.H.C.	5 Speed, Auto
		Legacy LS	4 Dr Sed 4x4	2200cc (2.2 Litre) O.H.C.	5 Speed, Auto
		Legacy LS	4 Dr S/W	2200cc (2.2 Litre) O.H.C.	5 Speed, Auto
	Legacy LS	4 Dr S/W 4x4	2200cc (2.2 Litre) O.H.C.	5 Speed, Auto	
	Legacy Turbo	4 Dr Sed 4x4	2200cc (2.2 Litre) O.H.C.	5 Speed, Auto	
	Loyale DL	4 Dr Sed	1800cc (1.8 Litre) O.H.C.	5 Speed, Auto	
	Loyale DL	4 Dr Sed 4x4	1800cc (1.8 Litre) O.H.C.	5 Speed, Auto	
	Loyale DL	4 Dr S/W	1800cc (1.8 Litre) O.H.C.	5 Speed, Auto	
	Loyale DL	4 Dr S/W 4x4	1800cc (1.8 Litre) O.H.C.	5 Speed, Auto	
	SVX LS	2 Dr Cpe 4x4	3300cc (3.3 Litre) D.O.H.C.	Auto	
	SVX LS-L	2 Dr Cpe 4x4	3300cc (3.3 Litre) D.O.H.C.	Auto	

IDENTIFICATION

MODEL REFERENCE (Cont.)

YEAR	MODEL	BODY STYLE	ENGINE	TRANSAXLE	
1993-94	Impreza	4 Dr Sed	1800cc (1.8 Litre) O.H.C.	5 Speed	
	Impreza L	4 Dr Sed	1800cc (1.8 Litre) O.H.C.	5 Speed, Auto	
	Impreza L	4 Dr S/W	1800cc (1.8 Litre) O.H.C.	5 Speed, Auto	
	Impreza LS	4 Dr Sed	1800cc (1.8 Litre) O.H.C.	Auto	
	Impreza LS	4 Dr S/W	1800cc (1.8 Litre) O.H.C.	Auto	
	Justy DL	3 Dr	1200cc (1.2 Litre) O.H.C.	5 Speed	
	Justy GL	3 Dr	1200cc (1.2 Litre) O.H.C.	Auto	
	Justy GL	3 Dr 4x4	1200cc (1.2 Litre) O.H.C.	Auto	
	Justy GL	5 Dr 4x4	1200cc (1.2 Litre) O.H.C.	5 Speed, Auto	
	Legacy L	4 Dr Sed	2200cc (2.2 Litre) O.H.C.	5 Speed, Auto	
	Legacy L	4 Dr Sed 4x4	2200cc (2.2 Litre) O.H.C.	5 Speed, Auto	
	Legacy L	4 Dr S/W	2200cc (2.2 Litre) O.H.C.	5 Speed, Auto	
	Legacy L	4 Dr S/W 4x4	2200cc (2.2 Litre) O.H.C.	5 Speed, Auto	
	Legacy LS	4 Dr Sed	2200cc (2.2 Litre) O.H.C.	Auto	
	Legacy LS	4 Dr Sed 4x4	2200cc (2.2 Litre) O.H.C.	Auto	
	Legacy LS	4 Dr S/W	2200cc (2.2 Litre) O.H.C.	Auto	
	Legacy LS	4 Dr S/W 4x4	2200cc (2.2 Litre) O.H.C.	Auto	
	Legacy LSi	4 Dr Sed 4x4	2200cc (2.2 Litre) O.H.C.	Auto	
	Legacy LSi	4 Dr S/W 4x4	2200cc (2.2 Litre) O.H.C.	Auto	
	Legacy Turbo	4 Dr Sed 4x4	2200cc (2.2 Litre) O.H.C.	5 Speed, Auto	
	Legacy Turbo	4 Dr S/W 4x4	2200cc (2.2 Litre) O.H.C.	Auto	
	Loyale DL	4 Dr Sed	1800cc (1.8 Litre) O.H.C.	5 Speed, Auto	
	Loyale DL	4 Dr Sed 4x4	1800cc (1.8 Litre) O.H.C.	5 Speed, Auto	
	Loyale DL	4 Dr S/W	1800cc (1.8 Litre) O.H.C.	5 Speed, Auto	
	Loyale DL	4 Dr S/W 4x4	1800cc (1.8 Litre) O.H.C.	5 Speed, Auto	
	SVX	2 Dr Cpe	3300cc (3.3 Litre) D.O.H.C.	Auto	
	1995	Impreza	2 Dr Cpe	1800cc (1.8 Litre) O.H.C.	5 Speed
		Impreza	4 Dr Sed	1800cc (1.8 Litre) O.H.C.	5 Speed
		Impreza L	2 Dr Cpe	1800cc (1.8 Litre) O.H.C.	5 Speed, Auto
		Impreza L	4 Dr Sed	1800cc (1.8 Litre) O.H.C.	5 Speed, Auto
		Impreza L	4 Dr S/W	1800cc (1.8 Litre) O.H.C.	5 Speed, Auto
		Impreza LE	4 Dr Sed	1800cc (1.8 Litre) O.H.C.	5 Speed, Auto
Impreza LE		4 Dr S/W	1800cc (1.8 Litre) O.H.C.	5 Speed, Auto	
Impreza LS		4 Dr Sed	1800cc (1.8 Litre) O.H.C.	5 Speed, Auto	
Impreza LS		4 Dr S/W	1800cc (1.8 Litre) O.H.C.	5 Speed, Auto	
Impreza LX		2 Dr Cpe	2200cc (2.2 Litre) O.H.C.	5 Speed, Auto	
Impreza LX		4 Dr Sed	2200cc (2.2 Litre) O.H.C.	5 Speed, Auto	
Impreza LX		4 Dr S/W	2200cc (2.2 Litre) O.H.C.	5 Speed, Auto	
Legacy		4 Dr Sed	2200cc (2.2 Litre) O.H.C.	5 Speed	
Legacy L		4 Dr Sed	2200cc (2.2 Litre) O.H.C.	5 Speed, Auto	
Legacy L		4 Dr S/W	2200cc (2.2 Litre) O.H.C.	5 Speed, Auto	
Legacy LS		4 Dr Sed	2200cc (2.2 Litre) O.H.C.	Auto	
Legacy LS		4 Dr S/W	2200cc (2.2 Litre) O.H.C.	Auto	
Legacy Brighton		4 Dr S/W	2200cc (2.2 Litre) O.H.C.	5 Speed, Auto	
SVX L		2 Dr Cpe	3300cc (3.3 Litre) D.O.H.C.	Auto	
SVX LS		2 Dr Cpe	3300cc (3.3 Litre) D.O.H.C.	Auto	
SVX LSi		2 Dr Cpe	3300cc (3.3 Litre) D.O.H.C.	Auto	
1996		Impreza L	2 Dr Cpe	1800cc (1.8 Litre) O.H.C.	Auto
		Impreza L	2 Dr Cpe	2200cc (2.2 Litre) O.H.C.	5 Speed, Auto
		Impreza L	4 Dr Sed	1800cc (1.8 Litre) O.H.C.	Auto
		Impreza L	4 Dr S/W	2200cc (2.2 Litre) O.H.C.	5 Speed, Auto
		Impreza LX	2 Dr Cpe	2200cc (2.2 Litre) O.H.C.	5 Speed, Auto
		Impreza LX	4 Dr Sed	2200cc (2.2 Litre) O.H.C.	Auto
	Impreza LX	4 Dr S/W	2200cc (2.2 Litre) O.H.C.	Auto	
	Impreza Brighton	2 Dr Cpe	1800cc (1.8 Litre) O.H.C.	5 Speed	
	Impreza Outback	4 Dr S/W	2200cc (2.2 Litre) O.H.C.	5 Speed, Auto	
	Legacy GT	4 Dr Sed	2500cc (2.5 Litre) O.H.C.	Auto	
	Legacy GT	4 Dr S/W	2500cc (2.5 Litre) O.H.C.	Auto	
	Legacy L	4 Dr Sed	2200cc (2.2 Litre) O.H.C.	5 Speed, Auto	
	Legacy L	4 Dr S/W	2200cc (2.2 Litre) O.H.C.	5 Speed, Auto	
	Legacy LS	4 Dr Sed	2200cc (2.2 Litre) O.H.C.	Auto	
	Legacy LS	4 Dr S/W	2200cc (2.2 Litre) O.H.C.	Auto	
	Legacy LSi	4 Dr Sed	2500cc (2.5 Litre) O.H.C.	Auto	
	Legacy LSi	4 Dr S/W	2500cc (2.5 Litre) O.H.C.	Auto	
	Legacy Brighton	4 Dr S/W	2200cc (2.2 Litre) O.H.C.	5 Speed, Auto	
	Legacy Outback	4 Dr/S/W	2200cc (2.2 Litre) O.H.C.	5 Speed	
	Legacy Outback	4 Dr S/W	2500cc (2.5 Litre) O.H.C.	Auto	
	SVX L	2 Dr Cpe	3300cc (3.3 Litre) O.H.C.	Auto	
	SVX LSi	2 Dr Cpe	3300cc (3.3 Litre) O.H.C.	Auto	

IDENTIFICATION

MODEL REFERENCE (Cont.)

YEAR	MODEL	BODY STYLE	ENGINE	TRANSAXLE	
1997	Impreza L	2 Dr Cpe	2200cc (2.2 Litre) O.H.C.	5 Speed, Auto	
	Impreza L	4 Dr Sed	2200cc (2.2 Litre) O.H.C.	5 Speed, Auto	
	Impreza L	4 Dr Wgn	2200cc (2.2 Litre) O.H.C.	5 Speed, Auto	
	Impreza Brighton	2 Dr Cpe	1800cc (1.8 Litre) O.H.C.	5 Speed, Auto	
	Impreza Brighton	4 Dr Wgn	1800cc (1.8 Litre) O.H.C.	5 Speed	
	Impreza Outback	4 Dr Wgn	2200cc (2.2 Litre) O.H.C.	5 Speed, Auto	
	Legacy GT	4 Dr Sed	2500cc (2.5 Litre) O.H.C.	5 Speed, Auto	
	Legacy GT	4 Dr Wgn	2500cc (2.5 Litre) O.H.C.	5 Speed, Auto	
	Legacy L	4 Dr Sed	2200cc (2.2 Litre) O.H.C.	5 Speed, Auto	
	Legacy L	4 Dr Wgn	2200cc (2.2 Litre) O.H.C.	5 Speed, Auto	
	Legacy LS	4 Dr Sed	2200cc (2.2 Litre) O.H.C.	Auto	
	Legacy LS	4 Dr Wgn	2200cc (2.2 Litre) O.H.C.	Auto	
	Legacy LSi	4 Dr Sed	2500cc (2.5 Litre) O.H.C.	Auto	
	Legacy LSi	4 Dr Wgn	2500cc (2.5 Litre) O.H.C.	Auto	
	Legacy Brighton	4 Dr Wgn	2200cc (2.2 Litre) O.H.C.	5 Speed, Auto	
	Legacy Outback	4 Dr Wgn	2500cc (2.5 Litre) O.H.C.	5 Speed, Auto	
	SVX L	2 Dr Cpe	3300cc (3.3 Litre) O.H.C.	Auto	
	SVX LSi	2 Dr Cpe	3300cc (3.3 Litre) O.H.C.	Auto	
	1998	Forester	4 Dr 4x4	2500cc (2.5 Litre) O.H.C.	5 Speed, Auto
		Forester L	4 Dr 4x4	2500cc (2.5 Litre) O.H.C.	5 Speed, Auto
		Forester S	4 Dr 4x4	2500cc (2.5 Litre) O.H.C.	5 Speed, Auto
Impreza L		2 Dr Cpe	2200cc (2.2 Litre) O.H.C.	5 Speed, Auto	
Impreza L		4 Dr Sed	2200cc (2.2 Litre) O.H.C.	5 Speed, Auto	
Impreza L		4 Dr S/W	2200cc (2.2 Litre) O.H.C.	5 Speed, Auto	
Impreza Outback		4 Dr S/W	2200cc (2.2 Litre) O.H.C.	5 Speed, Auto	
Impreza RS		2 Dr Cpe	2500cc (2.5 Litre) O.H.C.	5 Speed, Auto	
Legacy GT		4 Dr Sed	2500cc (2.5 Litre) O.H.C.	5 Speed, Auto	
Legacy GT		4 Dr S/W	2500cc (2.5 Litre) O.H.C.	5 Speed, Auto	
Legacy L		4 Dr Sed	2200cc (2.2 Litre) O.H.C.	5 Speed, Auto	
Legacy L		4 Dr S/W	2200cc (2.2 Litre) O.H.C.	5 Speed, Auto	
Legacy Brighton		4 Dr S/W	2200cc (2.2 Litre) O.H.C.	5 Speed, Auto	
Legacy Outback		4 Dr S/W	2500cc (2.5 Litre) O.H.C.	5 Speed, Auto	
1999		Forester	4 Dr 4x4	2500cc (2.5 Litre) O.H.C.	5 Speed, Auto
		Forester L	4 Dr 4x4	2500cc (2.5 Litre) O.H.C.	5 Speed, Auto
		Forester S	4 Dr 4x4	2500cc (2.5 Litre) O.H.C.	5 Speed, Auto
		Impreza L	2 Dr Cpe	2200cc (2.2 Litre) O.H.C.	5 Speed, Auto
		Impreza L	4 Dr Sed	2200cc (2.2 Litre) O.H.C.	5 Speed, Auto
	Impreza L	4 Dr S/W	2200cc (2.2 Litre) O.H.C.	5 Speed, Auto	
	Impreza Outback	4 Dr S/W	2200cc (2.2 Litre) O.H.C.	5 Speed, Auto	
	Impreza RS	2 Dr Cpe	2500cc (2.5 Litre) O.H.C.	5 Speed, Auto	
	Legacy GT	4 Dr Sed	2200cc (2.2 Litre) O.H.C.	5 Speed, Auto	
	Legacy GT	4 Dr S/W	2200cc (2.2 Litre) O.H.C.	5 Speed, Auto	
	Legacy L	4 Dr Sed	2200cc (2.2 Litre) O.H.C.	5 Speed, Auto	
	Legacy L	4 Dr S/W	2200cc (2.2 Litre) O.H.C.	5 Speed, Auto	
	Legacy Brighton	4 Dr S/W	2200cc (2.2 Litre) O.H.C.	5 Speed, Auto	
	Legacy Outback	4 Dr Sed	2500cc (2.5 Litre) O.H.C.	5 Speed, Auto	
	Legacy Outback	4 Dr S/W	2500cc (2.5 Litre) O.H.C.	5 Speed, Auto	
2000-2002	Legacy SUS	4 Dr Sed	2500cc (2.5 Litre) O.H.C.	5 Speed, Auto	
	Forester	4 Dr 4x4	2500cc (2.5 Litre) O.H.C.	5 Speed, Auto	
	Forester L	4 Dr 4x4	2500cc (2.5 Litre) O.H.C.	5 Speed, Auto	
	Forester S	4 Dr 4x4	2500cc (2.5 Litre) O.H.C.	5 Speed, Auto	
	Impreza L	2 Dr Cpe	2200cc (2.2 Litre) O.H.C.	5 Speed, Auto	
	Impreza L	4 Dr Sed	2200cc (2.2 Litre) O.H.C.	5 Speed, Auto	
	Impreza L	4 Dr S/W	2200cc (2.2 Litre) O.H.C.	5 Speed, Auto	
	Impreza Outback	4 Dr S/W	2200cc (2.2 Litre) O.H.C.	5 Speed, Auto	
	Impreza RS	2 Dr Cpe	2500cc (2.5 Litre) O.H.C.	5 Speed, Auto	
	Legacy GT	4 Dr Sed	2200cc (2.2 Litre) O.H.C.	5 Speed, Auto	
	Legacy GT	4 Dr S/W	2200cc (2.2 Litre) O.H.C.	5 Speed, Auto	
	Legacy L	4 Dr Sed	2200cc (2.2 Litre) O.H.C.	5 Speed, Auto	
	Legacy L	4 Dr S/W	2200cc (2.2 Litre) O.H.C.	5 Speed, Auto	
	Legacy Brighton	4 Dr S/W	2200cc (2.2 Litre) O.H.C.	5 Speed, Auto	
	Legacy Outback	4 Dr Sed	2500cc (2.5 Litre) O.H.C.	5 Speed, Auto	
Legacy Outback	4 Dr S/W	2500cc (2.5 Litre) O.H.C.	5 Speed, Auto		

Cont.

IDENTIFICATION

MODEL REFERENCE (Cont.)

YEAR	MODEL	BODY STYLE	ENGINE	TRANSAXLE	
2003	Baja	4 Dr Utility Pickup	2500cc (2.5 Litre) OHC	5 Speed Auto	
	Forester	4 Dr Utility	2500cc (2.5 Litre) OHC	5 Speed Auto	
	Impreza WRX	4 Dr Sed	2000cc (2.0 Litre) OHC	5 Speed Auto	
	Impreza WRX	4 Dr S/W	2000cc (2.0 Litre) OHC	5 Speed Auto	
	Impreza Outback Sport	4 Dr S/W	2500cc (2.5 Litre) OHC	5 Speed Auto	
	Impreza RS	4 Dr Sed	2500cc (2.5 Litre) OHC	5 Speed Auto	
	Impreza TS	4 Dr S/W	2500cc (2.5 Litre) OHC	5 Speed Auto	
	Legacy GT	4 Dr Sed	2500cc (2.5 Litre) OHC	5 Speed Auto	
	Legacy GT	4 Dr S/W	2500cc (2.5 Litre) OHC	5 Speed Auto	
	Legacy L	4 Dr Sed	2500cc (2.5 Litre) OHC	5 Speed Auto	
	Legacy L	4 Dr S/W	2500cc (2.5 Litre) OHC	5 Speed Auto	
	Outback Base	4 Dr S/W	2500cc (2.5 Litre) OHC	5 Speed Auto	
	Outback Base	4 Dr Sed	3000cc (3.0 Litre) OHC	5 Speed Auto	
	Outback LL Bean	4 Dr S/W	3000cc (3.0 Litre) OHC	5 Speed Auto	
	Outback Limited	4 Dr Sed	2500cc (2.5 Litre) OHC	Auto	
	Outback Limited	4 Dr S/W	2500cc (2.5 Litre) OHC	5 Speed Auto	
	Outback VDC	4 Dr Sed	3000cc (3.0 Litre) OHC	Auto	
	Outback VDC	4 Dr S/W	3000cc (3.0 Litre) OHC	Auto	
	2004	Baja (Base & Turbo)	4 Dr Utility Pickup	2500cc (2.5 Litre) OHC	4 Spd Auto, 5 Spd Std
		Forester (X, XS, XT)	4 Dr Utility	2500cc (2.5 Litre) OHC	4 Spd Auto, 5 Spd Std
		Impreza (WRX)	4 Dr S/W	2000cc (2.0 Litre) OHC	4 Spd Auto, 5 Spd Std
Impreza (WRX, STi)		4 Dr Sed	2000cc (2.5 Litre) OHC	6 Speed Std	
Impreza (RS, Outback Sport, TS)		4 Dr S/W	2000cc (2.5 Litre) OHC	4 Spd Auto, 5 Spd Std	
Legacy (GT & L)		4 Dr S/W	2500cc (2.5 Litre) OHC	4 Spd Auto, 5 Spd Std	
Outback (Base)		4 Dr Wagon	2500cc (2.5 Litre) OHC	4 Spd Auto, 5 Spd Std	
Outback (Base)		4 Dr Sed	3000cc (3.0 Litre) OHC	4 Spd Auto	
Outback (LL Bean)		4 Dr Wagon	3000cc (3.0 Litre) OHC	4 Speed Auto	
Outback (Limited)		4 Dr Sed	2500cc (2.5 Litre) OHC	4 Speed Auto	
Outback (Limited)		4 Dr Wagon	2500cc (2.5 Litre) OHC	4 Spd Auto, 5 Spd Std	
Outback (VDC)		4 Dr Sed	3000cc (3.0 Litre) OHC	4 Spd Auto	
Outback (VDC)		4 Dr Wagon	3000cc (3.0 Litre) OHC	4 Spd Auto	
2005		Baja (Base & Turbo)	4 Dr Utility Pickup	2500cc (2.5 Litre) OHC	4 Spd Auto, 5 Spd, Std
		Forester (X, XS, SX LL Bean, XT)	4 Dr Utility	2500cc (2.5 Litre) OHC	4 Spd Auto, 5 Spd Std
	Impreza (WRX)	4 Dr S/W	2000cc (2.0 Litre) OHC	4 Spd Auto, 5 Spd Std	
	Impreza (WRX, STi)	4 Dr Sed	2500cc (2.5 Litre) OHC	6 Spd Std	
	Impreza (RS, Outback Sport)	4 Dr S/W	2500cc (2.5 Litre) OHC	4 Spd Auto, 5 Spd Std	
	Legacy (Base, Limited)	4 Dr S/W	2500cc (2.5 Litre) OHC	4 Spd Auto, 5 Spd Std	
	Legacy (GT, GT Limited)	4 Dr S/W	2500cc (2.5 Litre) OHC	5 Spd Auto, 5 Spd Std	
	Outback (Base, Limited)	4 Dr Wagon	2500cc (2.5 Litre) OHC	4 Spd Auto, 5 Spd Std	
	Outback (LL Bean)	4 Dr Wagon	3000cc (3.0 Litre) OHC	4 Spd Auto	
	Outback (VDC)	4 Dr Sed	3000cc (3.0 Litre) OHC	4 Spd Auto	
	Outback (VDC)	4 Dr Wagon	3000cc (3.0 Litre) OHC	4 Spd Auto	
	Outback (R)	4 Dr Sed	3000cc (3.0 Litre) OHC	5 Spd Auto	
	Outback (R LL Bean, R VDC Limited)	4 Dr Wagon	3000cc (3.0 Litre) OHC	5 Spd Auto	
	Outback (XT, XT Limited)	4 Dr Wagon	2500cc (2.5 Litre) OHC	5 Spd Auto, 5 Spd Std	
	2006	B9 Tribeca (Base, Limited)	4 Dr Utility Wagon	3000cc (3.0 Litre) OHC-DOHC	5 Spd Auto
Baja		4 Dr Utility Pickup	2500cc (2.5 Litre) OHC-DOHC	4 Spd Auto	
		4 Dr Utility Pickup	2500cc (2.5 Litre) OHC-SOHC	5 Spd Std	
Forester		4 Dr Utility	2500cc (2.5 Litre) OHC-DOHC	4 Spd Auto, 5 Spd Std	
		4 Dr Utility	2500cc (2.5 Litre) OHC-SOHC	4 Spd Auto, 5 Spd Std	
Impreza		4 Dr Sed	2500cc (2.5 Litre) OHC-DOHC	4 Spd Auto, 5 Spd Std, 6 Spd Std	
		4 Dr Sed	2500cc (2.5 Litre) OHC-SOHC	4 Spd Auto, 5 Spd Std	
		4 Dr Wagon	2500cc (2.5 Litre) OHC-SOHC & DOHC	4 Spd Auto, 5 Spd Std	
Legacy		4 Dr Sed	2500cc (2.5 Litre) OHC-DOHC	5 Spd Auto, 5 Spd Std	
		4 Dr Sed	2500cc (2.5 Litre) OHC-SOHC	4 Spd Auto, 5 Spd Std	
		4 Dr Wagon	2500cc (2.5 Litre) OHC-DOHC	5 Spd Auto, 5 Spd Std	
		4 Dr Wagon	2500cc (2.5 Litre) OHC-SOHC	5 Spd Std	
Outback		4 Dr Sed	2500cc (2.5 Litre) OHC-SOHC	4 Spd Auto, 5 Spd Std	
		4 Dr Sed	3000cc (3.0 Litre) OHC-DOHC	5 Spd Auto	
		4 Dr Wagon	2500cc (2.5 Litre) OHC-DOHC	5 Spd Auto, 5 Spd Std	
	4 Dr Wagon	2500cc (2.5 Litre) OHC-SOHC	4 Spd Auto, 5 Spd Std		
	4 Dr Wagon	3000cc (3.0 Litre) OHC-DOHC	5 Spd Auto		

IDENTIFICATION

MODEL REFERENCE (Cont.)

2007	B9 Tribeca	4 Dr Utility Wagon	3000cc (3.0 Litre) OHC-DOHC	5 Spd Auto
		Forester	4 Dr Utility	2500cc (2.5 Litre) OHC-DOHC
	Impreza	4 Dr Utility	2500cc (2.5 Litre) OHC-SOHC	4 Spd Auto, 5 Spd Std
		4 Dr Sed	2500cc (2.5 Litre) OHC-DOHC	4 Spd Auto, 5 Spd Std, 6 Spd Std
		4 Dr Sed	2500cc (2.5 Litre) OHC-SOHC	4 Spd Auto, 5 Spd Std
	Outback	4 Dr Wagon	2500cc (2.5 Litre) OHC-DOHC	4 Spd Auto, 5 Spd Std
		4 Dr Wagon	2500cc (2.5 Litre) OHC-SOHC	4 Spd Auto, 5 Spd Std
		4 Dr Sed	2500cc (2.5 Litre) OHC-SOHC	4 Spd Auto, 5 Spd Std
		4 Dr Sed	3000cc (3.0 Litre) OHC-DOHC	5 Spd Auto
		4 Dr Wagon	2500cc (2.5 Litre) OHC-DOHC	5 Spd Auto, 5 Spd Std
		4 Dr Wagon	2500cc (2.5 Litre) OHC-SOHC	4 Spd Auto, 5 Spd Std
		4 Dr Wagon	3000cc (3.0 Litre) OHC-DOHC	5 Spd Auto

ENGINE IDENTIFICATION NUMBER LOCATION

Engine number is stamped on top of block behind distributor.

IDENTIFICATION

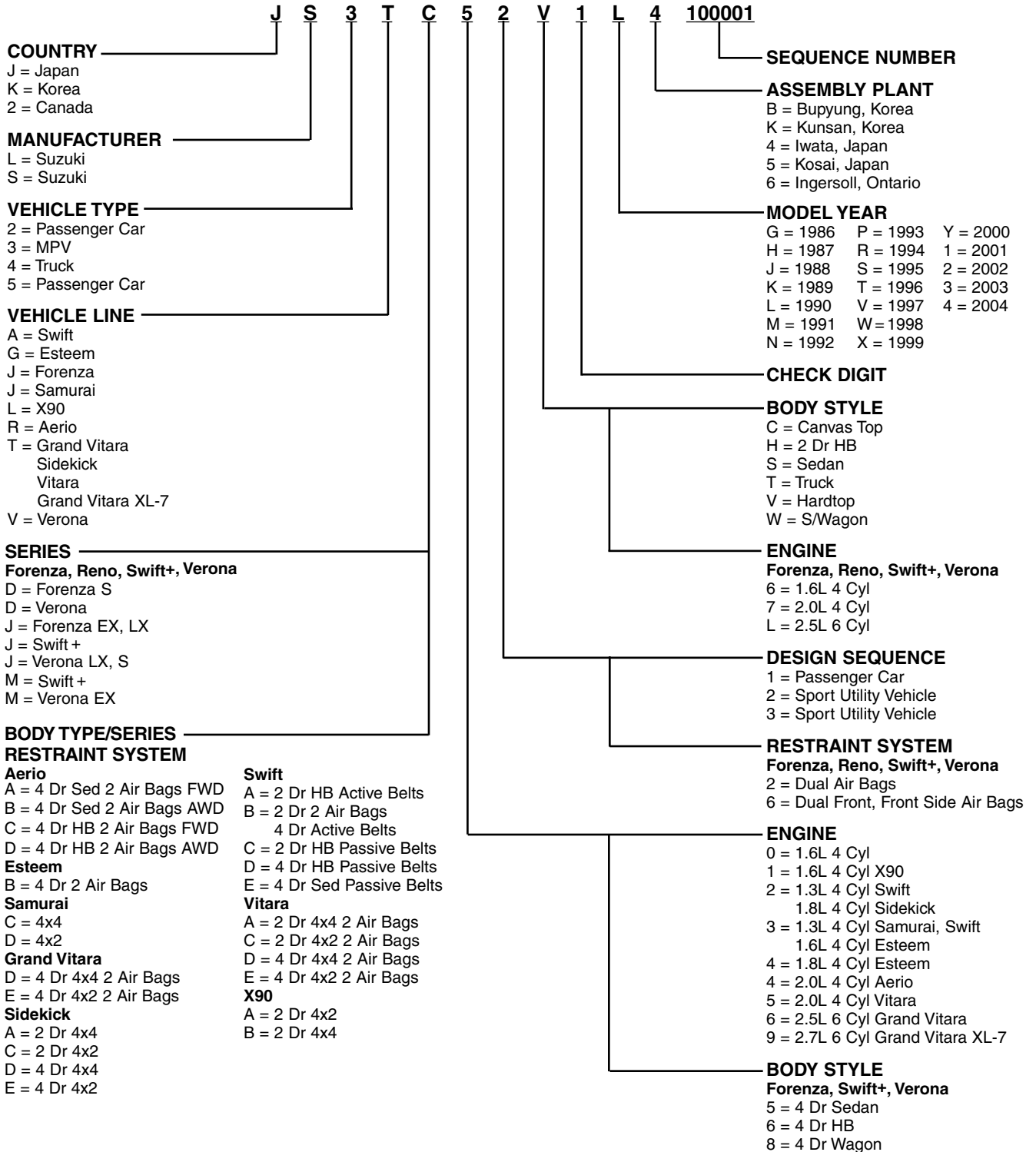
IDENTIFICATION NUMBER OR PLATE LOCATION

1986-87

Identification number is located on the left front pillar.

1988-2004

Identification number is located on the left side of the dash panel.

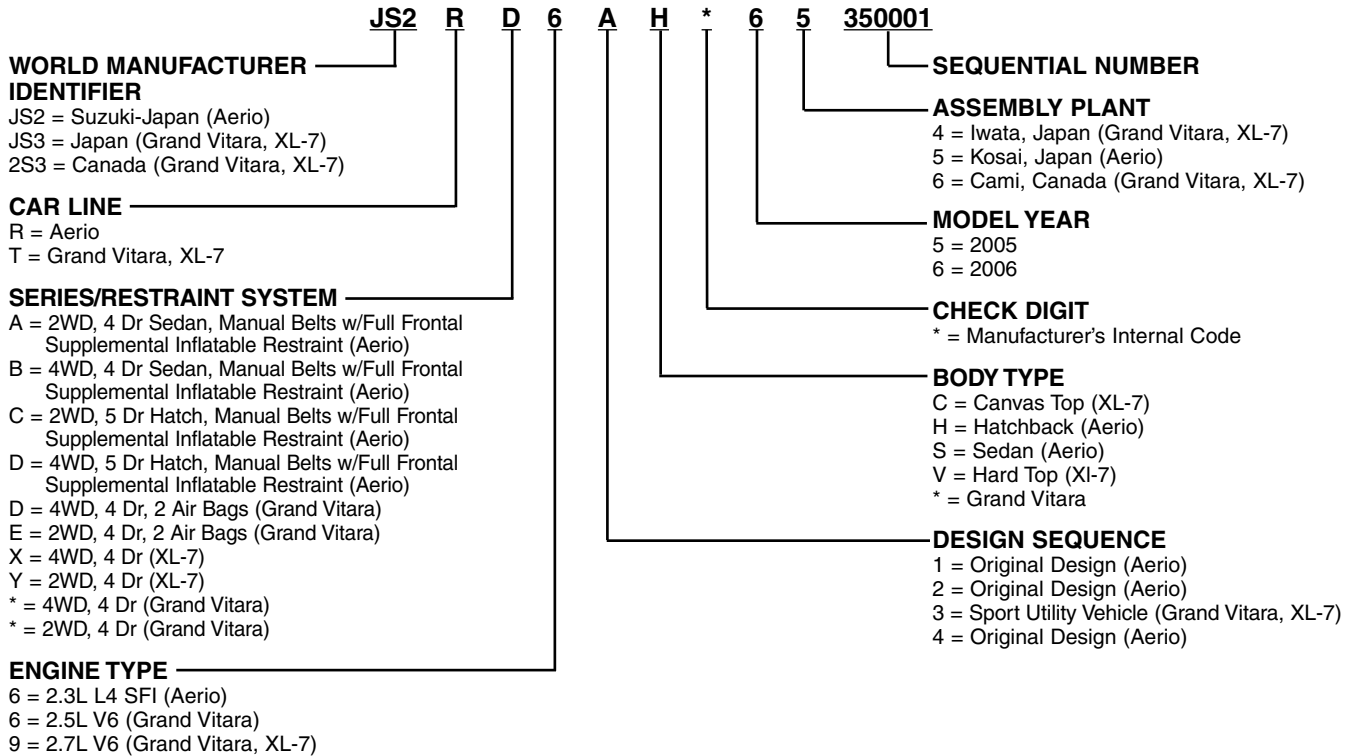


IDENTIFICATION

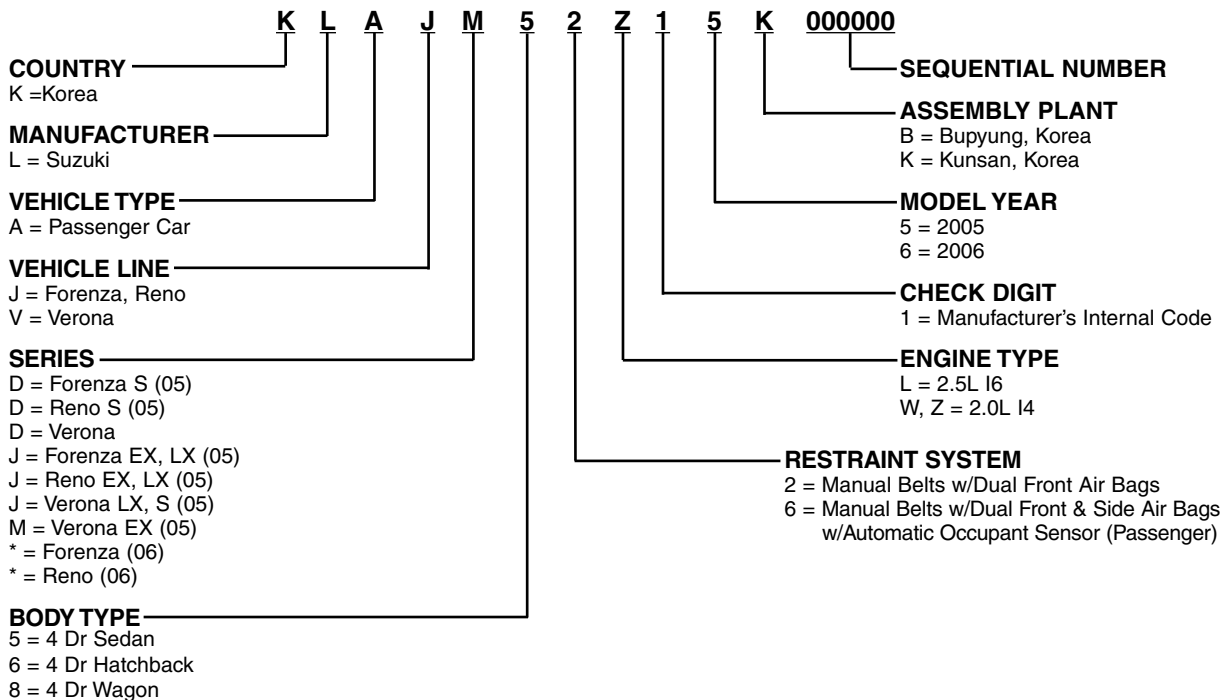
2005-2006

Identification number is located on the left side of the dash panel.

AERIO, GRAND VITARA, XL-7



FORENZA, RENO, VERONA

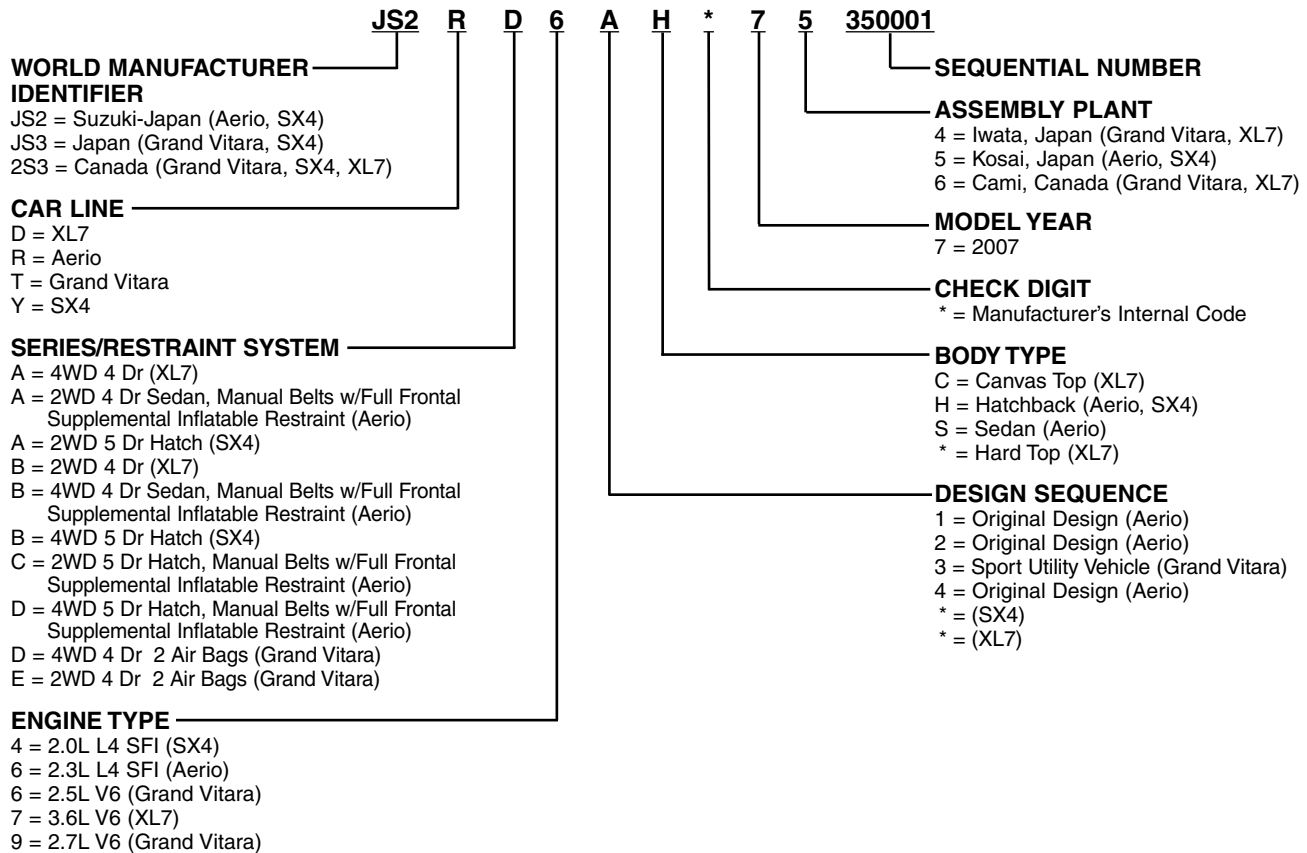


IDENTIFICATION

2007

Identification number is located on the left side of the dash panel.

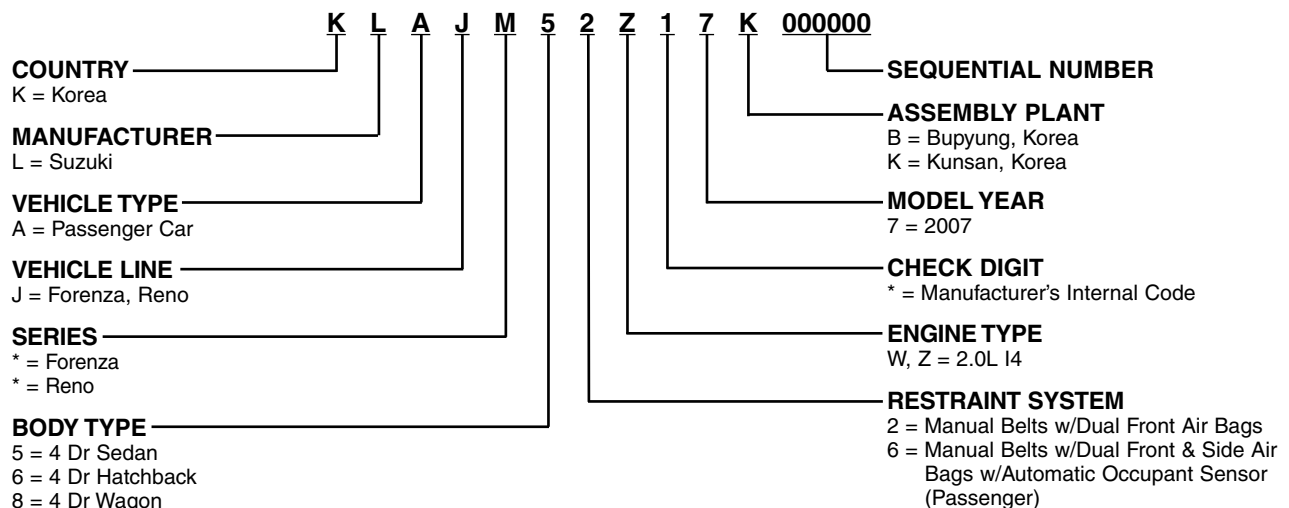
AERIO, GRAND VITARA, SX4, XL7



2007

Identification number is located on the left side of the dash panel.

FORENZA & RENO



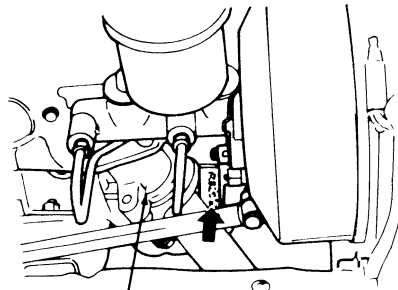
IDENTIFICATION

MODEL REFERENCE

YEAR	MODEL	ENGINE
1986-88	Samurai	Four 1.3 Litre
	1989	Samurai
1990-94	Sidekick	Four 1.3 Litre
	Swift	Four 1.6 Litre
	Samurai	Four 1.3 Litre
	Sidekick	Four 1.6 Litre
	Swift	Four 1.3 Litre
1995	Esteem	Four 1.6 Litre
	Samurai	Four 1.3 Litre
	Sidekick	Four 1.6 Litre
	Swift	Four 1.3 Litre
1996-98	Esteem	Four 1.6 Litre
	Sidekick	Four 1.6 Litre
	Swift	Four 1.8 Litre
1999	X90	Four 1.3 Litre
	Esteem	Four 1.6 Litre
	Grand Vitara	Four 1.6 Litre
	Swift	Four 1.8 Litre
	Vitara	V6 2.5 Litre
2000, 2001	Vitara	Four 1.3 Litre
	Esteem	Four 1.6 Litre
	Swift	Four 2.0 Litre
	Grand Vitara	Four 1.8 Litre
2002	Grand Vitara XL-7	Four 1.3 Litre
	Aerio	Four 2.0 Litre
	Esteem	Four 1.6 Litre
	Grand Vitara	Four 1.8 Litre
	Vitara	V6 2.5 Litre
	XL-7	Four 2.0 Litre
2003	Aerio	V6 2.5 Litre
	Grand Vitara	Four 2.0 Litre
	Vitara	V6 2.7 Litre
2004	XL-7	Four 2.0 Litre
	Aerio	V6 2.5 Litre
	Forenza	Four 2.3 Litre
	Grand Vitara	Four 2.0 Litre
	Verona	V6 2.5 Litre
2005- 2007	Vitara	Six 2.5 Litre
	XL-7	V6 2.5 Litre
	Aerio	V6 2.7 Litre
	Forenza	Four 2.0 Litre
	Grand Vitara (05)	Four 2.3 Litre
	Grand Vitara (06-07)	Four 2.0 Litre
	Reno	V6 2.5 Litre
	SX4	V6 2.7 Litre
	Verona	Four 2.0 Litre
	XL-7	Six 2.5 Litre
XL-7	V6 2.7 Litre	
	XL-7	V6 3.6 Litre

ENGINE IDENTIFICATION NUMBER LOCATION

Engine number is punched on the rear portion of the left hand skirt part of cylinder block.



Exhaust Manifold 70C03146

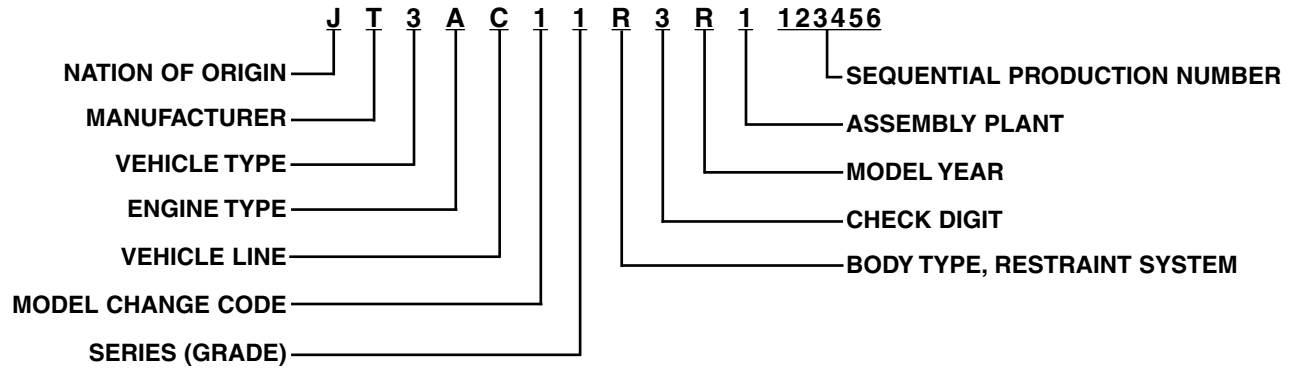
LOCATION OF ENGINE NO.

TOYOTA

LOCATION: The Vehicle Identification Number (VIN) is stamped on a metal plate. The plate is attached to the upper left corner of the instrument panel and is visible from outside the vehicle through the windshield. It can also be found on the Vehicle Certification Label located on the left front door lock face panel and/or door pillar.

SAMPLE VIN:

1983-95 Passenger Cars



TOYOTA - Passenger Car

VIN Position 1 = Nation of Origin

- 1 USA
- 2 Canada
- 4 USA
- J Japan

VIN Position 2 = Manufacturer

- N USA - New United Motor Mfg., Inc.
- T Toyota

VIN Position 3 = Vehicle Type

- 1 Passenger Car - USA
- 2 Passenger Car - Japan
- 5 Passenger Car - Celica Convertible
- X Passenger Car - USA

VIN Position 4 = Engine Type

- A 1.5 L 4 Cyl (3A-C) 1983-88
- A 1.6 L 4 Cyl (4A-C) 1983-87
- A 1.6 L 4 Cyl (4A-F) Carb 1988-90
- A 1.6 L 4 Cyl (4A-FE) 1989-95
- A 1.6 L 4 Cyl (4A-GE) 1988
- A 1.6 L 4 Cyl (4A-GEC) 1985-87
- A 1.6 L 4 Cyl (4A-GELC) Turbo 1987
- A 1.6 L 4 Cyl (4A-LC) Turbo 1985-87
- A 1.6 L 4 Cyl (4A-GZE) 1988-89
- A 1.8 L 4 Cyl (7A-FE) 1993-95
- C 1.8 L 4 Cyl (1C-LC) Diesel 1984-85
- C 1.8 L 4 Cyl (1C-TLC) Turbo 1984-86
- E 1.5 L 4 Cyl (3-E) Turbo Carb 1987-90
- E 1.5 L 4 Cyl (3-E-E) EFI 1990-94
- E 1.5 L 4 Cyl (5E-FE) 1992-95
- K 1.3 L 4 Cyl (4K-C) Carb 1983
- K 1.3 L 4 Cyl (4K-E) EFI 1983-84
- M 2.8 L 6 Cyl (5M-GE) 1983-88
- M 3.0 L 6 Cyl (7M-GE) 1987-92
- M 3.0 L 6 Cyl (7M-GET) Turbo 1987-92
- R 2.4 L 4 Cyl (22-RE) 1983-84
- S 2.0 L 4 Cyl (2S-ELC) 1983-86
- S 2.0 L 4 Cyl (3S-FE) 1987-91
- S 2.0 L 4 Cyl (3S-GE) 1988-89
- S 2.0 L 4 Cyl (3S-GEC) 1986-87
- S 2.0 L 4 Cyl (3S-GELC) Turbo 1987-95
- S 2.0 L 4 Cyl (3S-GTE) 1988-90
- S 2.2 L 4 Cyl (5S-FE) 1990-95
- V 2.5 L V6 (2VZ-FE) 1989-91
- V 3.0 L V6 (3VZ-FE) 1992-93

VIN Position 5 = Vehicle Line

- A Celica 1983-85
- A Supra 1984-95
- B Avalon 1995
- E Corolla 1983-95
- K Camry 1992-95

- L Tercel 1983-95
- L Paseo 1992-95
- P Starlet 1983-84
- T Celica 1986-95
- V Camry 1983-91
- W MR2 1985-89, 91-95
- X Cressida 1983-90

VIN Position 6 = Model Change Code

- 0 Celica 1994-95
- 0 Corolla 1993-95
- 1 Avalon 1995
- 1 Camry 1992-95
- 1 Camry 1983-86
- 1 MR2 1985-89
- 2 MR2 1991-95
- 2 Camry 1987-91
- 3 Tercel 1983-90
- 4 Paseo 1992-95
- 4 Tercel 1991-94
- 5 Tercel 1995
- 6 Celica 1983-89
- 6 Starlet 1983-84
- 6 Supra 1983-86
- 7 Supra 1986-92
- 7 Cressida 1985-89
- 7 Corolla 1983
- 8 Corolla 1984-88
- 8 Celica 1990-93
- 8 Cressida 1990-92
- 8 Supra 1993-95
- 9 Corolla 1988-92

VIN Position 7 = Series (Grade)

- 0 Avalon-XL 1995
- 0 Celica-ST 1994-95
- 0 Corolla-LE 1993-95
- 0 Supra 1986-92
- 1 Avalon-XLS 1995
- 1 Camry-Deluxe 1987-95
- 1 Corolla-Standard 1990-92
- 1 MR2-Standard 1991-95
- 1 Starlet-Standard 1987-91
- 1 Supra-Standard 1983-84
- 1 Supra-Turbo 1990-92
- 1 Tercel-Standard 1984-90
- 2 Camry-Deluxe 1984-86
- 2 Camry-LE 1987-95
- 2 Corolla-Deluxe 1984-90
- 2 Corolla-SR5 1983
- 2 Celica-GT Convertible 1987-89
- 2 Cressida-LE Wagon 1983-87
- 2 MR2-Turbo 1991-95
- 2 Supra-Turbo 1993-95
- 2 Tercel-Deluxe 1984-90

- 3 Camry-XLE 1992-95
- 3 Celica-ST 1983-87
- 3 Corolla-LE 1984-88
- 3 Cressida-LE Sedan 1983-90
- 3 Cressida 1991-92
- 3 Tercel-Deluxe 1991-94
- 4 Camry-Standard 1988-91
- 4 Camry-SE 1992-95
- 4 Celica-GT 1983-86
- 4 Corolla-LE Limited 1985-86
- 4 Corolla-Standard 1993-95
- 4 Corolla-Deluxe 1990-92
- 4 Tercel-LE 1991-94
- 5 Celica-GT-S 1983-93
- 5 Corolla-SR5(Sport) 1988-89
- 5 MR2 1985-89
- 5 Paseo 1992-95
- 5 Tercel-Standard 1995
- 5 Tercel-SR5 1983-88
- 6 Celica-ST 1988-93
- 6 Corolla-SR5 1984-87, 1990-91
- 6 MR2-Supercharged 1988-89
- 6 Tercel-Standard 1991-94
- 6 Tercel-EZ 1987-90
- 6 Tercel-Deluxe 1995
- 7 Celica-Supra 1983-85
- 7 Celica-GT 1987-95
- 7 Celica-GT Convertible 1990-93
- 7 Celica-GT Convertible 1995
- 7 Corolla-FX16 1987-88
- 7 Corolla-LE 1990-92
- 8 Celica - All-Trac AWD Turbo 1988-93
- 8 Corolla-GTS Sport 1985-91
- 8 Corolla-GTS 1985-91
- 9 Corolla - GTS-FX16 1987-88
- 9 Corolla-Deluxe 1993-95
- 0 Corolla-LE 1993-94
- 0 Celica-ST 1994-95

VIN Position 8 = Body Type, Restraint System

• **Body Type**

- A 4 Dr Sedan - Corolla 1990-92
- A 4 Dr Sedan - Tercel 1991-92
- B 2 Dr Sedan - Tercel 1991-92
- B 4 Dr Sedan - Corolla All-Trac AWD 1990
- B 4 Dr Sedan - Corolla 1995
- C 2 Dr Coupe - Camry 1994-95
- C 2 Dr Coupe - MR2 1985-89
- C 2 Dr Coupe - Celica 1983-89
- C 2 Dr Coupe - Corolla Sport 1984-86, 88-89
- D 2 Dr Sedan - Corolla, Tercel 1983
- D 2 Dr Coupe - Tercel All-Trac 4WD 1988-89
- D 2 Dr Sedan - Tercel 1995
- E 4 Dr Sedan - Avalon 1995

VEHICLE IDENTIFICATION

VIN DECODING

VIN Position 8 = Body Type, Restraint System

• Body Type (Cont.)

E	4 Dr Sedan - Camry	1983-95
E	2 Dr Sedan - Corolla	1983-88,93-94
E	4 Dr Sedan - Cressida	1983-92
F	2 Dr Coupe Celica	1990-95
F	2 Dr Coupe Paseo	1992
F	2 Dr Coupe - Tercel	1990
G	2 Dr Hatchback - Corolla FX16	1987-88
G	2 Dr Hatchback - Starlet	1983-84
G	2 Dr Hatchback - Tercel	1983-89
H	4 Dr Hatchback - Camry	1983-87
H	4 Dr Hatchback - Tercel	1983-89
J	2 Dr Coupe Corolla	1990-91
J	2 Dr Coupe - MR2	1987-89
J	2 Dr Hatchback - Supra	1987-89, 93-95
J	4 Dr Sedan - Camry All-Trac AWD	1988-91
K	2 Dr Convertible - Celica	1985, 87-93
K	2 Dr Convertible - Celica	1995
K	4 Dr Wagon - Corolla	1990-92
L	2 Dr Hatchback - Corolla	1983
L	2 Dr Hatchback - Celica	1983-89
L	2 Dr Hatchback - Supra	1983-90
L	2 Dr Hatchback - Supra	1993-95

L	4 Dr Hatchback - Corolla	1984-87
M	2 Dr Hatchback - Celica AWD	1988-89
M	2 Dr Hatchback - Tercel	1990
M	2 Dr Hatchback - Supra	1990-92
M	2 Dr Coupe - MR2	1991-95
N	2 Dr Coupe - MR2 (w/T-Bar Roof)	1992-95
N	2 Dr Hatchback - Celica	1990-91, 93-95
N	2 Dr Hatchback - Supra	1990-92
	(w/Sport Roof)	
P	2 Dr Hatchback - Celica Turbo	1990-93
	All-Trac AWD	
S	2 Dr Coupe - Tercel	1993-94
S	2 Dr Hardtop - Corolla	1983
S	2 Dr Coupe - Corolla Sport	1984-87
T	4 Dr Sedan - Tercel	1993-94
U	2 Dr Coupe - Paseo	1993-95
V	4 Dr Wagon - Tercel	1985-87
V	4 Dr Wagon - Corolla	1995
V	4 Dr Wagon - Corolla All-Trac AWD	1989-92
W	4 Dr Wagon - Tercel 4WD	1983-88
W	4 Dr Wagon - Corolla	1983, 88-89, 93-94
W	4 Dr Wagon - Cressida	1983-87
W	4 Dr Wagon - Camry	1987-95
Z	2 Dr Hatchback - Tercel EZ	1987-89

• Restraint System

1	Inflatable (Air Bag)
2	Inflatable (2 Air Bags)
8	Inflatable (4 Air Bags)
M	Motorized Passive
P	Passive

VIN Position 9 = Check Digit

VIN Position 10 = Model Year

D	1983	L	1990
E	1984	M	1991
F	1985	N	1992
G	1986	P	1993
H	1987	R	1994
J	1988	S	1995
K	1989		

VIN Position 11 = Assembly Plant

0-9	Japan
C	Ontario - Canada
U	Georgetown, Kentucky - USA
Z	Fremont, California - USA

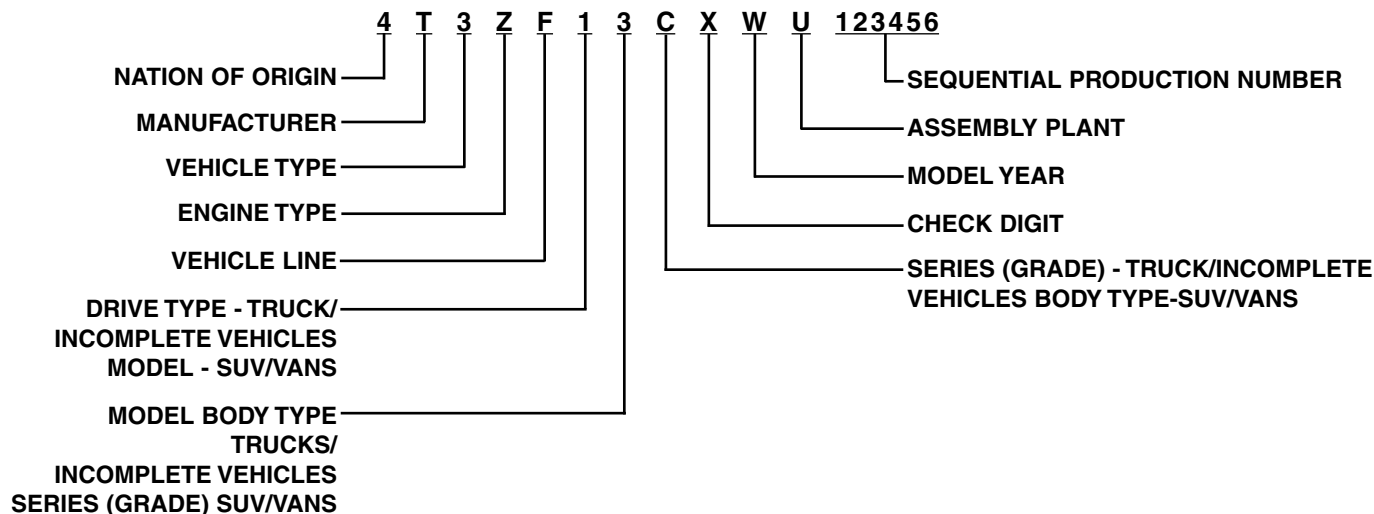
VIN Position 12-17 = Sequential Production Number

TOYOTA

LOCATION: The Vehicle Identification Number (VIN) is stamped on a metal plate. The plate is attached to the upper left corner of the instrument panel and is visible from outside the vehicle through the windshield. It can also be found on the Vehicle Certification Label located on the left front door lock face panel and/or door pillar.

SAMPLE VIN:

1983-95 Trucks/Vans/SUVs



TOYOTA - Trucks/Vans/SUVs

VIN Position 1 = Nation of Origin

4	USA
J	Japan

VIN Position 2 = Manufacturer

T	Toyota
---	--------

VIN Position 3 = Vehicle Type

3	SUV
4	Truck
5	Incomplete Vehicle

VIN Position 4 = Engine Type

A	2.4 L	4 Cyl	(2TZ)	1991-94
D	4.5 L	6 Cyl	(1FZ)	1993-95
F	4.2 L	6 Cyl	(2F)	1983-87
F	4.0 L	6 Cyl	(3F-E)	1988-92
L	2.2 L	4 Cyl	(L) Diesel	1983
L	2.4 L	4 Cyl	(2L) Diesel	1984-85
L	2.4 L	4 Cyl	(2LT) Turbo Diesel	1985
R	2.4 L	4 Cyl	(22R)	1983-95

R	2.4 L	4 Cyl	(22R-EC)	1984-90
R	2.4 L	4 Cyl	(22R-ET) Turbo	1985-88
S	2.0 L	4 Cyl	(3S-GTE) Turbo	1990-93
S	2.0 L	4 Cyl	(3S-GELC)	1987
S	2.0 L	4 Cyl	(3S-FE)	1988-89
S	2.2 L	4 Cyl	(5S-FE)	1990-93
U	2.4 L	4 Cyl	(2RZ)	1995
U	2.7 L	4 Cyl	(3RZ)	1994-95
V	3.0 L	V6	(3VZ-E)	1988-95
Y	2.0 L	6 Cyl	(3Y-EZ)	1984-85
Y	2.2 L	6 Cyl	(4Y-EC)	1986-89

VIN Position 5 = Vehicle Line

A	Celica (Incomplete)	1985
C	Previa (Van)	1991-95
D	Pickup (T100)	1993-95
J	Land Cruiser (SUV)	1983-95
N	Pickup (Tacoma)	1995
N	Pickup, Incomplete Vehicle	1983-95
N	4Runner (SUV)	1984-95
R	Van, Cargo Van	1984-89

VIN Position 6 = Drive Type-Trucks/Incomplete Vehicles

0	4WD - Truck	1989-95
1	RWD - T100	1993-95
1	4WD - Truck (XtraCab)	1989-95
2	4WD - Truck T100	1993-95
4	RWD - Truck Tacoma (Reg. Cab)	1995
5	RWD - Truck Tacoma (XtraCab)	1995
6	4WD - Truck Tacoma (Reg. Cab)	1995
7	4WD - Truck Tacoma (XtraCab)	1995
7	RWD - Truck (XLWB)	1986-88
7	RWD - Truck (XLWB-DRW)	1986-88
8	RWD - Truck (Compact)	1989-95
8	RWD - Truck Cab & Chassis (SWB)	1990
8	RWD - Truck Cab & Chassis (SWB-DRW)	1989-93
8	RWD - Truck Cab & Chassis (LWB)	1989-90
9	RWD - Truck (XtraCab)	1990-94
9	RWD-Truck Cab & Chassis (XLWB-DRW)	1989-93

**VIN Position 6 = Model - SUV/Vans
(Multi-Purpose Vehicle)**

1	RWD - Previa Van	1991-95
2	AWD - Previa Van	1991-95
2	RWD - Cargo Van	1985-89
2	RWD - 4Runner	1990-95
3	4WD - Cargo Van	1987-89
3	4WD - 4Runner	1990-95
6	4WD - 4Runner	1984-89
6	4WD - Van (LE)	1987-89
6	RWD - Van	1984-89
6	4WD - Land Cruiser	1983-91
8	AWD - Land Cruiser	1992-95

**VIN Position 7 = Model Body Type - Trucks/
Incomplete Vehicles**

0	Truck - T100 (Long Bed)
0	Truck - T100 (Std Cab)
1	Truck - T100 (Std Cab)
1	Truck - (Short Bed) (SWB)
2	Truck - T100 (XtraCab)
2	Truck Cab & Chassis (LWB)
2	Truck Cab & Chassis (112" WB)
3	Truck - (Short Bed) (XtraCab)
3	Truck - Compact (XtraCab)
3	Truck - (XtraCab) Short Bed
3	Truck - (XtraCab) (LWB)
3	Truck - 4WD (SWB)
4	Truck Cab & Chassis (137" WB)
4	Truck - 4WD (LWB)
5	Cab & Chassis (Incomplete Vehicle) (XLWB)
5	Truck - (LWB)
6	Truck - (XtraCab) Short Bed (LWB)
7	Truck - (XtraCab) 4WD (LWB)

VIN Position 7 = Series/Grade - SUV/Vans

0	(Land Cruiser)	1991-92
0	Deluxe (Land Cruiser)	1985-86
1	(Land Cruiser)	1993-95
1	Deluxe (Previa Van)	1991-95
2	Deluxe (Van)	1985-88
2	LE (Previa Van)	1991-95
2	Deluxe (Land Cruiser)	1987-90
2	Deluxe (4Runner)	1985
3	Deluxe (4Runner)	1986-88
4	SR5 (4Runner)	1986-87
4	Cargo Van (4WD)	1987-89
5	SR5 (4Runner)	1985
6	SR5 (4Runner)	1987-88
6	LE (Van)	1985-88
7	SR5 (4Runner)	1989-95
8	Cargo Van (Panel)	1986-89
9	SR5 (4Runner) V6	1989-95
9	Cargo Van (Window)	1986-89

**VIN Position 8 = Series (Grade) - Trucks/
Incomplete Vehicles**

A	Standard	1988-95
B	Standard 1 Ton (T100)	1993-95
B	Standard Turbo 4WD	1986-87
C	Standard V6	1988
C	SR5 1/2 Ton (T100)	1993-94
D	Deluxe	1983-95
D	4 Cyl	1995
E	Standard 1 Ton	1986-88
E	Deluxe 1 Ton	1985
E	Standard 3/4 Ton	1983-84
E	V6	1995
G	SR5 - V6/Turbo	1986-95
M	SR5 - V6	1988

N	Deluxe V6	1988
N	Deluxe 1 Ton V6	1990-92
P	Deluxe 4 Cyl	1986-95
P	Deluxe 4WD Long Bed	1986-88
R	Cab & Chassis	1990
R	Standard V6	1989
S	SR5	1983-90
T	Cab & Chassis DRW	1990-93
T	Standard DRW	1986-89

VIN Position 8 = Body Type - SUV/Vans

G	Land Cruiser	1983-90
J	4Runner 2 Dr (4WD)	1990-91
R	Previa Van	1991-95
S	Previa Van (All-Trac AWD)	1991-95
V	Van (Cargo)	1983-89
V	Land Cruiser	1984-87
V	4Runner 4 Dr	1990-95
V	4Runner 2 Dr (RWD)	1990
W	4Runner 4 Dr (4WD)	1990-95
W	Land Cruiser	1991-95

VIN Position 9 = Check Digit

VIN Position 10 = Model Year

D	1983	L	1990
E	1984	M	1991
F	1985	N	1992
G	1986	P	1993
H	1987	R	1994
J	1988	S	1995
K	1989		

VIN Position 11 = Assembly Plant

0-9	Japan
U	Georgetown, Kentucky - USA
Z	Fremont, California - USA

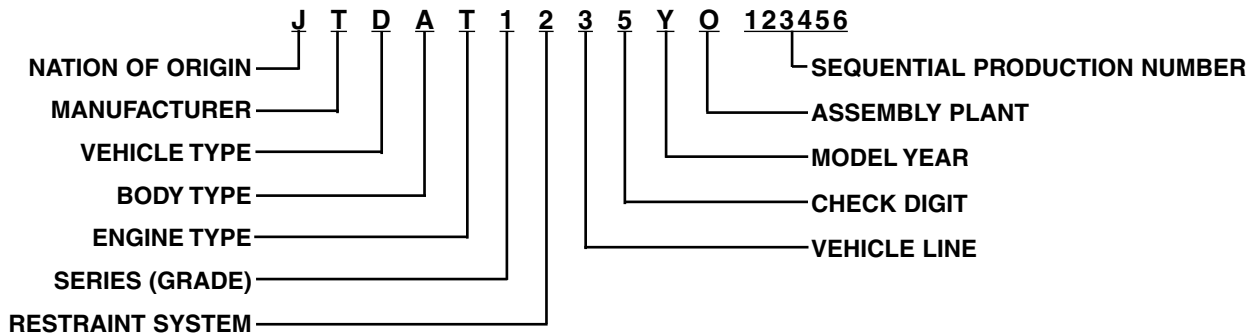
VIN Position 12-17 = Sequential Production Number

TOYOTA

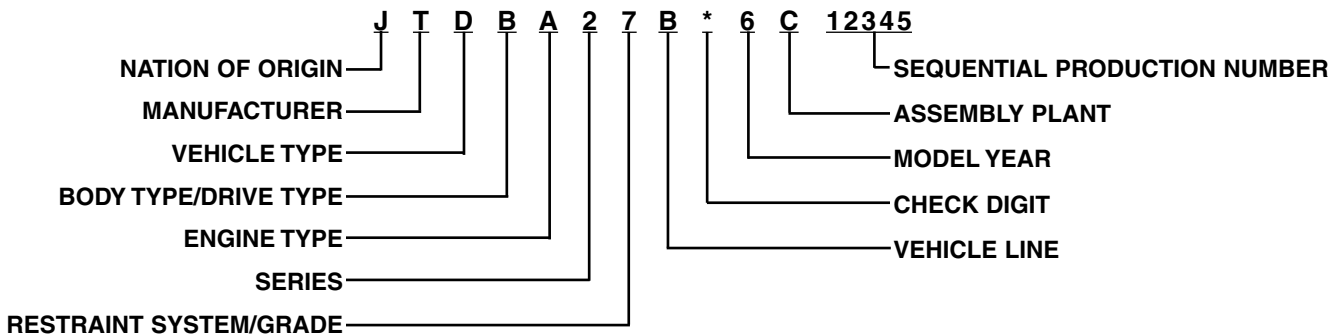
LOCATION: The Vehicle Identification Number (VIN) is stamped on a metal plate. The plate is attached to the upper left corner of the instrument panel and is visible from outside the vehicle through the windshield. It can also be found on the Vehicle Certification Label located on the left front door lock face panel and/or door pillar.

SAMPLE VIN:

1996-05 Passenger Cars



2006-07 Passenger Cars



VEHICLE IDENTIFICATION

VIN DECODING

TOYOTA

1996-2005 TOYOTA

VIN Position 1 = Nation of Origin

1 USA
2 Canada
4 USA
J Japan

VIN Position 2 = Manufacturer

N USA - New United Motor Mfg., Inc.
T Toyota

VIN Position 3 = Vehicle Type

1 Passenger Car
2 Passenger Car
5 Passenger Car - Celica Convertible
D Passenger Car
X Passenger Car

VIN Position 4 = Body Type

A 2 Dr Sedan - Echo 2000-05
A 2 Dr Sedan - Tercel 1996-98 (USA)
A 2 Dr Sedan - Tercel 1995-99 (Canada)
B 4 Dr Sedan - Echo 2000-05
B 4 Dr Sedan - Avalon 1996-05
B 4 Dr Sedan - Camry 1996-05
B 4 Dr Sedan - Corolla 1996-05
B 4 Dr Sedan - Tercel 1996-98 (USA)
B 4 Dr Sedan - Tercel 1995-99 (Canada)
C 2 Dr Coupe - Camry 1996
C 2 Dr Coupe - Celica 1996-97
C 2 Dr Coupe - Paseo 1996-97 (USA)
C 2 Dr Coupe - Paseo 1996-99 (Canada)
C 2 Dr Coupe - Camry Solara 1999-05 (Canada)
D 2 Dr Hatchback - Celica 1996-05
D 2 Dr Hatchback - Supra 1996-98
D 2 Dr Hatchback - Supra w/Sport Roof 1996-98
E 4 Dr Wagon - Camry 1996
E 4 Dr Wagon - Corolla 1996
F 2 Dr Convertible - Solara 2000-05
F 2 Dr Convertible - Celica 1996-99
F 2 Dr Convertible - Paseo 1996-99
F 2 Dr Convertible - Spyder 2000-05
K 4 Dr Wagon - Matrix, 2WD 2003-05
K 4 Dr Hatchback - Prius 2001-05
L 4 Dr Wagon - Matrix, 4WD 2003-05

VIN Position 5 = Engine Type

A 3.3 L V6 (3MZ) 2004-05
A 1.6 L 4 Cyl (4A) 1996-97
B 1.8 L 4 Cyl (7A) 1996-97
B 1.5 L 4 Cyl (1NZ) 2004-05
C 1.5 L 4 Cyl (5E) 1996-99
D 3.0 L 6 Cyl (2JZ) 1996-98
E 3.0 L 6 Cyl (2JZ) Turbo 1996-98
E 2.4 L 4 Cyl (2AZ) 2002-05
E 2.4 L 4 Cyl (2AZ) 2002-05
F 3.0 L V6 (1MZ) 1996-2005
G 2.2 L 4 Cyl (5S) 1996-2001
K 1.5 L 4 Cyl (1NS) 2001-03
L 1.8 L 4 Cyl (5S) 1998-99
N 2.3 L 4 Cyl (5S) 2000
R 1.8 L 4 Cyl (1ZZ) 1998-2005
T 1.2 L 4 Cyl (2ZZ) 2000-05
Y 1.8 L 4 Cyl (2ZZ) 2000-05

VIN Position 6 = Series (Grade)

0 Celica 1998-99
0 Celica-Convertible 1998-99
0 Celica-ST 1996-97
0 Corolla-Standard 1996-97
0 Celica-GT Convertible 1996-97
0 Celica-GT 1996-97
0 Corolla-Deluxe 1996-97
1 Echo 2000-05
1 Corolla-LE 1998-2002
1 Corolla-CE 1998-2002
1 Corolla-VE 1998-2000
1 Corolla-S 2001-02
1 Prius 2001-03
1 Avalon-XL 1996-99
1 Avalon-XLS 1996-99
1 Camry-LE 1996
1 Camry-XLE 1996
1 Camry-DX/Deluxe 1996
1 Camry-SE 1996
2 Solara-SLE 2000-02
2 Avalon-XL 2000-02

2 Avalon-XLS 2000-02
2 Avalon 2003-04
2 Prius 2004-05
2 Camry-LE 1997-2001
2 Camry-XLE 1997-2001
2 Camry-CE 1997-2001
2 Camry-CNG 2001
2 Solara-SE 1999-2002
2 Camry Solara-SLE 2001-02
2 Camry Solara 2003
3 Avalon 2005
3 Camry 2003-05
3 Camry-LE 2002
3 Camry-XLE 2002
3 Camry-SE 2002
3 Celica 2003-05
3 Celica-GT 2000-02
3 Celica-GTS 2000-02
3 Corolla 2003-05
3 Corolla-Matrix 2003-05
3 MR2-Spyder 2000-05
3 Solara 2003-05
5 Tercel-Deluxe 1996
5 Paseo 1996-99
5 Tercel 1996-99
8 Supra 1996-98
8 Supra-Turbo 1996-98

VIN Position 7 = Restraint System

0 2 Front Air Bags w/Manual Belts,
2 Side Air Bags & Side Curtain Air Bags- 2005
0 2 Front Air Bags w/Manual Belts,
2 Side Air Bags, Side Curtain Air Bags Front
& Rear- 2002-2005
2 2 Front Air Bags w/Manual Belts- 1996-2005
3 1 Front Air Bags-Driver Only-2000
6 2 Front Air Bags w/Manual Belts,
2 Side Air Bags & Side Curtain Air Bags
1 Knee Air Bags-Driver Only-2005
8 2 Front Air Bags w/Manual Belts,
2 Side Air Bags
9 2 Front Air Bags w/Manual Belts,
2 Side Air Bags & Side Curtain Air Bags -
Front Only

VIN Position 8 = Vehicle Line

0 MR2 Spyder 2000-05
3 Echo 2000-05
A Supra 1996-98
B Avalon 1996-2005
E Corolla 1996-2005
E Corolla-Matrix 2003-05
H Paseo 1996-99
K Camry 1996-2005
L Tercel 1996-99
P Camry Solara 1999-2005
T Celica 1996-2005
U Prius 2001-05

VIN Position 9 = Check Digit

VIN Position 10 = Model Year

T 1996 1 2001
V 1997 2 2002
W 1998 3 2003
X 1999 4 2004
Y 2000 5 2005

VIN Position 11 = Assembly Plant

0-9 Japan
C Cambridge, Ontario - Canada
U Georgetown, Kentucky - USA
Z Fremont, California - USA

VIN Position 12-17 = Sequential Production Number

2006-07 TOYOTA

VIN Position 1 = Nation of Origin

J Japan
1 Nummi
2 Canada: TMMC
3 Mexico: TMMBC
4 USA: TMMK
5 USA: TMMI, TMMCA & TMMTX

VIN Position 2 = Manufacturer

T, N Toyota

VIN Position 3 = Vehicle Type

D, K, H, N, X Passenger Vehicle
1 Passenger Vehicle

VIN Position 4 = Body Type/Drive Type

B 4 Dr Sedan 2WD
C 2 Dr Coupe 2WD
D 3 Dr Coupe 2WD
F 2 Dr Convertible 2WD
J Liftback 2WD
K 5 Dr Sedan 2WD
4 Dr HB 2WD
L 5 Dr Sedan 4WD

VIN Position 5 = Engine Type

B 1.5 L 4 Cyl (1NZ-FXE)
D, E 2.4 L 4 Cyl (2AZ-FE)
F 3.0 L V6 (1MZ-FE)
K 3.5 L V6 (2GR-FE)
P 3.3 L V6 (3MZ-FE)
R 1.8 L 4 Cyl (1ZZ-FE)
Y 1.8 L 4 Cyl (2ZZ-GE)

VIN Position 6 = Series

2 Prius (NHW20L) (NHW20)
3 Camry Solara (ACV30L) (ACV30)
3 Camry Solara (MCV31L) (MCV31)
3 Avalon (GSX30L) (GSX30)
3 Corolla (ZZE130L) (ZZE130)
3 Corolla (ZZE131L) (ZZE131)
3 Camry (MCV30L) (MCV30)
3 Matrix (ZZE132L) (ZZE132)
3 Matrix (ZZE133L) (ZZE133)
3 Matrix (ZZE134L) (ZZE134)
9 Yaris (NCP91)
(NCP93)

VIN Position 7 = Restraint System/Grade

0 Manual Belts w/2 Air Bags, Side Air Bags &
Curtains Shield Air Bags (Front & Rear Seats)
2 Manual Belt w/2 Air Bags
6 Manual Belt w/2 Air Bags, Side Air Bags,
Curtains Shield Air Bags & Knee Air Bags
(Driver Seat)
7 Manual Belt w/2 Air Bags & Knee Air Bags
(Driver Seat)
8 Manual Belt w/2 Air Bags & Side Air Bags

VIN Position 8 = Vehicle Line

B Avalon
E Corolla, Matrix
K Camry
P Camry Solara
U Prius
3 Yaris

VIN Position 9 = Check Digit

VIN Position 10 = Model Year

6 2006 7 2007

VIN Position 11 = Assembly Plant

C Canada
M Baja, California
S Indiana
U Kentucky
Z Fremont, California
0-9 TMC

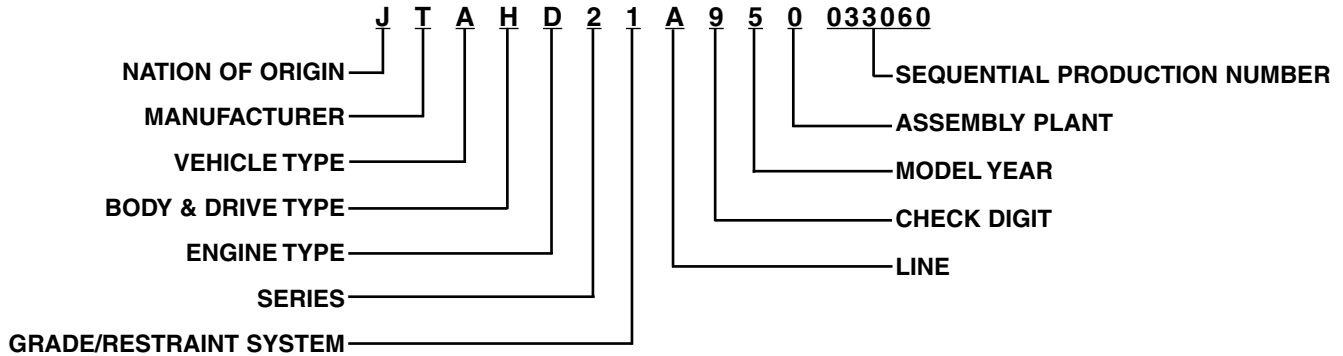
VIN Position 12-17 = Sequential Production Number

TOYOTA

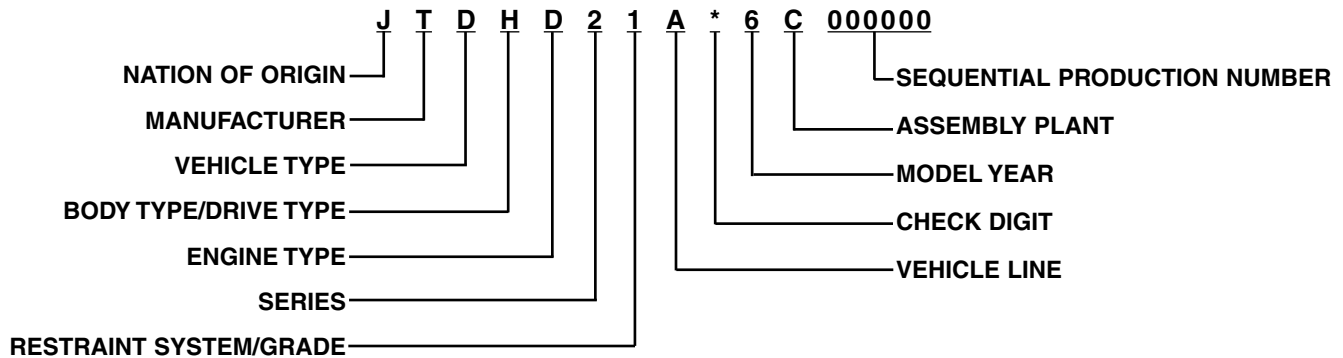
LOCATION: The Vehicle Identification Number (VIN) is stamped on a metal plate. The plate is attached to the upper left corner of the instrument panel and is visible from outside the vehicle through the windshield. It can also be found on the Vehicle Certification Label located on the left front door lock face panel and/or door pillar.

SAMPLE VIN:

1996-2005 - Trucks/Vans/SUVs



2006-07 - Trucks/Vans/SUVs



1996-2005 TOYOTA

VIN Position 1 = Nation of Origin

- J Japan
- 3 Mexico
- 4 USA
- 5 USA

VIN Position 2 = Manufacturer

- T Toyota

VIN Position 3 = Vehicle Type

- 3 SUV
- 3 Van
- 4 Truck-T100
- A Truck-Tacoma
- B Truck-Tundra
- D Multi-Purpose Vehicle

VIN Position 4 = Body & Drive Type

- B Tundra Access Cab 4WD 2000-05
- B Sequoia SUV 4WD 2001-05
- B 4Runner SUV 4WD 2003-05
- B Sienna Van Pass AWD 2004-05
- C Tundra Access Cab (Stepside) 4WD 2003-05
- D Highlander 4 Dr FWD 2004-05
- D Highlander 4 Dr Hybrid FWD 2005
- D Tundra Dbl Cab (LWB) 4WD 2004-05
- E Tundra Dbl Cab (LWB) RWD 2004-05
- E Highlander 4 Dr AWD 2004-05
- E Highlander 4 Dr Hybrid FWD 2005
- G Rav4 SUV 4 Dr FWD 1996-2005
- G Tacoma Dbl Cab RWD 2001-05
- G Highlander 4 Dr FWD 2001-05
- G Highlander 4 Dr Hybrid FWD 2005

- G Sienna Van Pass FWD 1998
- G Previa Van Pass RWD 1996-97
- G 4Runner SUV RWD 1996-2000
- H 4Runner SUV 4WD 1996-2002
- H Previa Van Pass AWD 1996-97
- H Rav4 4 Dr AWD 1996-2005
- H Land Cruiser SUV AWD 1996-2005
- H Tacoma Dbl Cab 4WD 2001-04
- J Tundra Reg Cab RWD 2000-05
- J Tacoma Dbl Cab (LWB) RWD 2005
- J T100 Truck Reg Cab RWD 1996-98
- K Tundra Reg Cab 4WD 2000-05
- K T100 Truck Reg Cab 4WD 1996
- K Tacoma Dbl Cab (LWB) RWD 2005
- L T100 Truck Reg Cab (1 Ton) RWD 1996

VIN Position 4 = Body & Drive Type (Cont.)

- L Tacoma Dbl Cab (LWB) 4WD 2005
- M Tacoma Dbl Cab Super (LWB) 4WD 2005
- M Sienna Van Cargo FWD 2004-05
- M Sienna Van Cargo FWD 1999-2000
- N Tacoma Reg Cab RWD 1996-2005
- N Tacoma Reg Cab (Pre-Runner) RWD 1990-2000
- P Tacoma Reg Cab 4WD 1996-2005
- R Tundra Access Cab RWD 2001-05
- S Tundra Access Cab (Stepside) RWD 2003-04
- S Tacoma XTRA CAB (Pre-Runner) RWD 1998-2000
- S Tacoma XTRA CAB RWD 2001-04
- T T100 XTRA CAB RWD 1996-98
- T Tacoma XTRA CAB (LWB) RWD 2005
- U T100 XTRA CAB 4WD 1996-98
- U Tacoma XTRA CAB (LWB) 4WD 2005
- V Tacoma XTRA CAB RWD 1996-2004
- W Tacoma XTRA CAB 4WD 1996-2004

- X Rav4 2 Dr FWD 1996-2000
- Y Rav4 2 Dr AWD 1996-2000
- Z Sienna Van Pass FWD 1996-2005
- Z Sequoia SUV RWD 2001-05
- Z 4Runner SUV RWD 2003-2005

VIN Position 5 = Engine Type

- A 3.3 L V6 (3MZ) 2004-05
- D 2.4 L 4 Cyl (2AZ) 2001-05
- F 3.0 L V6 (1MZ) 1998-2003
- H 2.0 L 4 Cyl (1AZ) 2001-03
- J 4.5 L 6 Cyl (1FZ) 1996-97
- L 2.4 L 6 Cyl (2RZ) 1996-2004
- M 2.7 L 4 Cyl (3RZ) 1996-2004
- N 3.4 L V6 (5VZ) 1996-2004
- P 2.2 L 4 Cyl (3S) 1996-2000
- P 3.3 L V6 (3MZ) 2005
- S Electric Motor (IBM) 1998-2003
- T 4.7 L V8 (2UZ) 1998-2005
- U 4.0 L V6 (1GR) 2003-05
- W 3.3 L V6 (3MZ) 2005
- X 2.7 L 4 Cyl (2TR) 2005

VIN Position 6 = Series

- 0 Land Cruiser 1998-2005
- 1 Previa RWD 1996-97
- 1 Rav4 1996-2003
- 1 T100 Truck RWD 1996-98
- 1 Sienna 1998-2003
- 1 4Runner 2003-05
- 2 Previa AWD 1996-97
- 2 T100 Truck 4WD 1996-98
- 2 Rav4 2001-05
- 2 Highlander 2001-05

VEHICLE IDENTIFICATION

VIN DECODING

VIN Position 6 = Series (Cont.)

2	Highlander Hybrid	2005
2	Sienna	2004-05
2	Tacoma	2005
3	Tundra	2000-05
3	Sequoia	2001-05
4	Sequoia	2001-05
4	Tacoma Reg Cab	1996-2005
4	Tundra	2000-05
5	Tacoma XTRA CAB	1996-2005
6	Tacoma Reg Cab 4WD	1996-2005
7	Tacoma XTRA CAB 4WD	1996-2005
8	4Runner	1996-2002
9	Tacoma XTRA CAB RWD	1998-2004

VIN Position 7 = Grade

0	Rav4	2001-05
1	Standard-Highlander	2001-05
1	Standard-Highlander Hybrid	2005
2	DX Tundra	2001-05
2	Tundra	2003-04
2	Deluxe Tacoma	2001-05
3	LE Sienna	2001-05
3	XLE Sienna	2001
3	XLE Sienna	2004-05
3	CE Sienna	2004
4	SR5-4Runner	2003-05
4	4Runner	2001-02
4	SR5-Sequoia	2001-05
4	SR5 Tundra	2001-05
5	VX Land Cruiser	2001-05
6	SR5-4Runner	2001-02
7	Limited 4Runner	2001-05
8	Limited Sequoia	2001-05
8	Limited Tundra	2001-05
9	CE Sienna	2001-05

VIN Position 7 = Grade/Restraint System

1	T100	1 Air Bag	1996-98
2	DX Previa	2 Air Bags	1996-97
2	T100	1 Air Bag	1997-98
2	DX T100	1 Air Bag	1996
2	Deluxe Tacoma	2 Air Bags	1998-2000
2	Tacoma	1 Air Bag	1996-97
2	DX Tundra	2 Air Bags	2000
3	LE Previa	2 Air Bags	1997
3	LX Previa	2 Air Bags	1996
3	LE Sienna	2 Air Bags	1998-2000
3	XLE Sienna	2 Air Bags	1998-2000
4	SR5 Tacoma	2 Air Bags	1998-2000
4	SR5 Tacoma	1 Air Bag	1996-97
4	SR5 Tundra	2 Air Bags	2000
4	SR5 T100	1 Air Bag	1996-98
4	4Runner	2 Air Bags	1996-2000
5	Land Cruiser	2 Air Bags	1996-2000
6	SR5 4Runner	2 Air Bags	1996-2000
7	Limited 4Runner	2 Air Bags	1996-2000
8	Limited Tundra	2 Air Bags	2000
9	CE Sienna	2 Air Bags	1998-2000
0	Rav4	2 Air Bags	1996-2000

1 Air Bag = Driver Side
2 Air Bags = Driver & Passenger Side

VIN Position 8 = Line

A	Highlander	2001-05
A	Highlander Hybrid	2005
A	Sequoia	2001-05
C	Sienna	1998-2005
D	T100 Truck	1996-98
J	Land Cruiser	1996-2005
M	Previa Van Pass	1996-97
N	Tacoma	1996-2005
R	4Runner	1996-2005

V	Rav4	1996-2005
Y	Rav4 EV	1998-2003
1	Tundra	2000-2005

VIN Position 9 = Check Digit

VIN Position 10 = Model Year

T	1996	1	2001
V	1997	2	2002
W	1998	3	2003
X	1999	4	2004
Y	2000	5	2005

VIN Position 11 = Assembly Plant

0-9	Japan
M	Mexico
S	Princeton, IN - USA
U	Georgetown, KY - USA
Z	Fremont, CA - USA

VIN Position 12-17 = Sequential Production Number

2006-07 TOYOTA

VIN Position 1 = Nation of Origin

J	Japan
1	Nummi
2	Canada: TMMC
3	Mexico: TMMBC
4	USA: TMMK
5	USA: TMMI, TMMCA & TMMTX

VIN Position 2 = Manufacturer

T, N	Toyota
------	--------

VIN Position 3 = Vehicle Type

D, E, J, L, M	MPV
B, E, F, M	Truck

VIN Position 4 = Body Type/Drive Type

Multipurpose Vehicle:

B, E, H	5 Dr Wagon 4WD
D, G, K, Z	5 Dr Wagon 2WD
H	4 Dr Wagon 4WD
M	5 Dr Van 2WD

Truck:

Standard Wheel Base (Tundra)	
B	Large Cab 4WD
J	Std Cab 2WD
K	Std Cab 4WD
R	Large Cab 2WD
Short Wheel Base (Tacoma, Tundra)	
N	Std Cab 1/2 Ton 2WD
P	Std Cab 1/2 Ton 4WD
Extra Long Wheel Base (Tundra)	
D	Double Cab 4WD
E	Double Cab 2WD
Long Wheel Base (Tacoma)	
J	Double Cab 2WD
L	Double Cab 4WD
T	Extra Cab/Access 2WD
U	Extra Cab/Access 4WD
Super Long Wheel Base (Tacoma)	
K	Double Cab 2WD
M	Double Cab 4WD

VIN Position 5 = Engine Type

A	3.3 L	V6	(3MZ-FE)
D	2.4 L	4 Cyl	(2AZ-FE)
K	3.5 L	V6	(2GR-FE)
T	4.7 L	V8	(2UZ-FE)
U	4.0 L	V6	(1GR-FE)
X	2.7 L	4 Cyl	(2TR-FE)

VIN Position 6 = Series

0	Land Cruiser	(UZJ100L)
1	FJ Cruiser	(GSJ10) (GSJ15)
1	4Runner	(GNR210L) (GNR210)
1	4Runner	(GNR215L) (GNR215)
1	4Runner	(UZN210L) (UZN210)
1	4Runner	(UZN215L) (UZN215)
2	Highlander	(ACU20L) (ACU20)
2	Highlander	(ACU25L) (ACU25)
2	Highlander	(MCU23L) (MCU23)
2	Highlander	(MCU28L) (MCU28)
2	Highlander HB	(MHU23L) (MHU23)
2	Highlander HB	(MHU28L) (MHU28)
2	Sienna	(MCL20L) (MCL20)
2	Sienna	(MCL23L) (MCL23)
2	Sienna	(MCL25L) (MCL25)
2	Tacoma	(TRN220L) (TRN220)
2	Tacoma	(TRN225L) (TRN225)
2	Tacoma	(GRN225L) (GRN225)
3	RAV4	(ACA33L) (ACA33)
3	RAV4	(ACA38L) (ACA38)
3	RAV4	(GSA33L) (GSA33)
3	RAV4	(GSA38L) (GSA38)
3	Tundra	(GSK30L) (GSA30)
3	Tundra	(UCK30L) (UCK30)
3	Tundra	(UCK31L) (UCK31)
3	Sequoia	(UCK35L) (UCK35)
4	Tacoma	(GRN245L) (GRN245)
4	Tacoma	(TRN240L) (TRN240)
4	Tacoma	(TRN245L) (TRN245)
4	Tundra	(UCK40L) (UCK40)
4	Tundra	(UCK41L) (UCK41)
4	Sequoia	(UCK45L) (UCK45)
5	Tacoma	(GRN250L) (GRN250)
6	Tacoma	(TRN260L) (TRN260)
6	Tacoma	(TRN265L) (TRN265)
6	Tacoma	(GRN265L) (GRN265)
7	Tacoma	(GRN270L) (GRN270)

VIN Position 7 = Restraint System/Grade

1	Std, High (w/o 3rd Seat)
2	DLX, DX, XLE, Sports
3	LE, XLE, Std (w/o 3rd Seat)
4	SR5, High (w/3rd Seat)
5	VX, Std (w/3rd Seat)
7	Limited (4Runner)
8	Limited (Sequoia)
9	CE

VIN Position 8 = Line

A	Highlander, Sequoia
C	Sienna
F	FJ Cruiser
J	Land Cruiser
N	Tacoma
R	4Runner
V	Rav4
1	Tundra

VIN Position 9 = Check Digit

VIN Position 10 = Model Year

6	2006	7	2007
---	------	---	------

VIN Position 11 = Assembly Plant

C	Canada
M	Baja, California
S	Indiana
U	Kentucky
Z	Fremont, California
0-9	TMC

VIN Position 12-17 = Sequential Production Number

IDENTIFICATION

MODEL REFERENCE

NOTE: 1980-82 Corolla includes Tercel thru 1982. See Tercel for 1983.

YEAR & MODEL	MODEL NUMBER	BODY STYLE	ENGINE	DISPLACEMENT	TRANSMISSION
1973					
Carina	TA12	2 Dr Sed	Four 2TC	1588cc	A30,T40
Celica	RA21	2 Dr H.T.	Four 18RC	1968cc	A30,A40,T40
Corolla	KE20	2 Dr Sed	Four 3KC	1166cc	K40
	TE21	2 & 4 Dr Sed	Four 2TC	1588cc	A20,A40,T40
	TE27	2 Dr Cpe	Four 2TC	1588cc	A20,A40,T40,T50
	TE28	2 Dr S/W	Four 2TC	1588cc	A20,A40,T40
Corona	MX13	4 Dr Sed	Six 4M	2563cc	A30,W40
	MX23	2 Dr H.T.	Six 4M	2563cc	A30,W40
	MX29	4 Dr S/W	Six 4M	2563cc	A30,W40
	RT85	4 Dr Sed	Four 18RC	1968cc	A30,A40,W40
	RT89	4 Dr S/W	Four 18RC	1968cc	A30,A40,W40
	RT95	2 Dr H.T.	Four 18RC	1968cc	A30,A40,W40
Land Cruiser	FJ40	Hard & Soft Top	Six F	3878cc	J30
	FJ55	4 Dr S/W	Six F	3878cc	J30
Pickup	RN22	1/2 Ton 6ft Bed 4x2	Four 18RC	1968cc	A30,L40
	RN27	1/2 Ton 7ft Bed 4x2	Four 18RC	1968cc	A30,L40
1974					
Celica	RA21	2 Dr H.T.	Four 18RC	1968cc	A30,A40,L40
Corolla	KE20	2 Dr Sed	Four 3KC	1166cc	K40
	TE21	2&4 Dr Sed	Four 2TC	1588cc	A20,A40,T40
	TE27	2 Dr Cpe	Four 2TC	1588cc	A20,A40,T40,T50
	TE28	2 Dr S/W	Four 2TC	1588cc	A20,A40,T40
Corona	MX13	4 Dr Sed	Six 4M	2563cc	A30,W40
	MX23	2 Dr H.T.	Six 4M	2563cc	A30,W40
	MX29	4 Dr S/W	Six 4M	2563cc	A30,W40
	RT104	2&4 Dr Sed	Four 18RC	1968cc	A40,W40
	RT114	2 Dr H.T.	Four 18RC	1968cc	A40,W40,W50
	RT118	4 Dr S/W	Four 18RC	1968cc	A30,W40
Land Cruiser	FJ40	Hard & Soft Top	Six F	3878cc	J30
			Six 2F	4230cc	H41
	FJ55	4 Dr S/W	Six F	3878cc	J30
			Six 2F	4230cc	H41
Pickup	RN22	1/2 Ton 6ft Bed 4x2	Four 18RC	1968cc	A30,L40
	RN27	1/2 Ton 7ft Bed 4x2	Four 18RC	1968cc	A30,L40
1975					
Celica	RA22	2 Dr H.T.	Four 20R	2189cc	A30,W40,W50
Corolla	KE30	2&4 Dr Sed	Four 3KC	1156cc	K40
	TE31	2&4 Dr Sed	Four 2TC	1588cc	A40,T40,T50
	TE37	2 Dr H.T.	Four 2TC	1588cc	A40,T40,T50
	TE38	2&4 Dr S/W	Four 2TC	1588cc	A40,T50,T50
Corona	MX13	4 Dr Sed	Six 4M	2563cc	A30,W40
	MX23	2 Dr H.T.	Six 4M	2563cc	A30,W40
	MX29	4 Dr S/W	Six 4M	2563cc	A30,W40
	RT105	2&4 Dr Sed	Four 20R	2189cc	A40,W40,W50
	RT115	2 Dr H.T.	Four 20R	2189cc	A40,W40,W50
	RT119	4 Dr S/W	Four 20R	2189cc	A40,W40
Land Cruiser	FJ40	Hard & Soft Top	Six F	3878cc	J30,H41
	FJ55	4 Dr S/W	Six F	3878cc	J30,H41
Pickup	RN23	1/2 ton 6ft Bed 4x2	Four 20R	2189cc	A30,A40,L40,W50
	RN28	1/2 Ton 7ft Bed 4x2	Four 20R	2189cc	A30,A40,L40
1976					
Celica	RA24	2 Dr H.T.	Four 20R	2189cc	A40,W40,W50
	RA29	2 Dr H.B.	Four 20R	2189cc	A40,W50
Corolla	KE30	2&4 Dr Sed	Four 3KC	1166cc	K40,K50
	TE31	2&4 Dr Sed	Four 2TC	1588cc	A40,T40,T50
	TE37	2 Dr H.T.	Four 2TC	1588cc	A40,T40,T50
	TE38	2&4 Dr S/W	Four 2TC	1588cc	A40,T40
	TE51	2 Dr Cpe & H.B.	Four 2TC	1588cc	A40,T40,T50
Corona	MX13	4 Dr Sed	Six 4M	2563cc	A30,W40
	MX23	2 Dr H.T.	Six 4M	2563cc	A30,W40
	MX29	4 Dr S/W	Six 4M	2563cc	A30,W40
	RT105	2&4 Dr Sed	Four 20R	2189cc	A40,W40,W50
	RT115	2 Dr H.T.	Four 20R	2189cc	A40,W40,W50
	RT119	4 Dr S/W	Four 20R	2189cc	A40,W40,W50
Land Cruiser	FJ40	Hard & Soft Top	Six 2F	4230cc	H41
	FJ55	4 Dr S/W	Six 2F	4230cc	H41
Pickup	RN23	1/2 Ton 6ft Bed 4x2	Four 20R	2189cc	A30,A40,L40,W50
	RN28	1/2 Ton 7ft Bed 4x2	Four 20R	2189cc	A30,A40,L40,W50

IDENTIFICATION

MODEL REFERENCE (Cont.)

YEAR & MODEL	MODEL NUMBER	BODY STYLE	ENGINE	DISPLACEMENT	TRANSMISSION
1977					
Celica	RA24	2 Dr H.T.	Four 20R	2189cc	A40,W40,W50
	RA29	2 Dr H.B.	Four 20R	2189cc	A40,W50
Corolla	KE30	2&4 Dr Sed	Four 3KC	1166cc	K40,K50
	TE31	2&4 Dr Sed	Four 2TC	1588cc	A40,T40,T50
	TE37	2 Dr H.T.	Four 2TC	1588cc	A40,T40,T50
	TE38	4 Dr S/W	Four 2TC	1588cc	A40,T40,T50
	TE51	2 Dr Cpe & H.B.	Four 2TC	1588cc	A40,T40,T50
Corona	RT105	2&4 Dr Sed	Four 20R	2189cc	A40,W40,W50
	RT115	2 Dr H.T.	Four 20R	2189cc	A40,W50
	RT119	4 Dr S/W	Four 20R	2189cc	A40,W40,W50
Land Cruiser	FJ40	Hard & Soft Top	Six 2F	4230cc	H41
	FJ55	4 Dr S/W	Six 2F	4230cc	H41
Pickup	RN23	1/2 Ton 6ft Bed 4x2	Four 20R	2189cc	A30,A40,L40,W50
	RN28	1/2 Ton 7ft Bed 4x2	Four 20R	2189cc	A30,A40,L43,W50
1978					
Celica	RA42	2 Dr Cpe & H.B.	Four 20R	2189cc	A40,W40,W50
Corolla	KE30	2&4 Dr Sed	Four 3KC	1166cc	K40,K50
	TE31	2&4 Dr Sed	Four 2TC	1588cc	A40,T40,T50
	TE37	2 Dr H.T.	Four 2TC	1588cc	T50
	TE38	4 Dr S/W	Four 2TC	1588cc	A40,T40,T50
	TE51	2 Dr Cpe	Four 2TC	1588cc	A40,W40,W50
Corona	RT105	2&4 Dr Sed	Four 20R	2189cc	A40,W40,W50
	RT115	2 Dr H.T.	Four 20R	2189cc	A40,W50
	RT119	4 Dr S/W	Four 20R	2189cc	A40,W40,W50
Cressida	MX32	4 Dr Sed	Six 4M	2563cc	A40D
	MX36	4 Dr S/W	Six 4M	2563cc	A40D
Land Cruiser	FJ40	Hard & Soft Top	Six 2F	4230cc	H41
	FJ55	4 Dr S/W	Six 2F	4230cc	H41
Pickup	RN23	1/2 Ton 6ft Bed 4x2	Four 20R	2189cc	A30,A40,L43,W50
	RN28	1/2 Ton 7ft Bed 4x2	Four 20R	2189cc	A30,A40,L43,W50
1979					
Celica	RA42	2 Dr Cpe & H.B.	Four 20R	2189cc	A40,W40,W50
Corolla	KE30	2 Dr Sed	Four 3KC	1166cc	K40,K50
	TE31	2&4 Dr Sed	Four 2TC	1588cc	A40,T40,T50
	TE37	2 Dr H.T.	Four 2TC	1588cc	T50
	TE38	4 Dr S/W	Four 2TC	1588cc	A40,T40,T50
	TE51	2 Dr Cpe & H.B.	Four 2TC	1588cc	A40,T40,T50
Corona	RT105	2&4 Dr Sed	Four 20R	2189cc	A40,W40,W50
	RT115	2 Dr H.T.	Four 20R	2189cc	A40,W50
	RT119	4 Dr S/W	Four 20R	2189cc	A40,W40,W50
	RT134	4 Dr H.B,Sed,S/W	Four 20R	2189cc	A40,W40,W50
Cressida	MX32	4 Dr Sed	Six 4M	2563cc	A40D
	MX36	4 Dr S/W	Six 4M	2563cc	A40D
Land Cruiser	FJ40	Hard & Soft Top	Six 2F	4230cc	H41
	FJ55	4 Dr S/W	Six 2F	4230cc	H41
Pickup	RN32	1/2 Ton 6ft Bed 4x2	Four 20R	2189cc	A30,L43,W50
	RN37	1/2 Ton 6ft Bed 4x4	Four 20R	2189cc	L43
	RN42	1/2,3/4 Ton 7ft Bed 4x2	Four 20R	2189cc	A40,L43,W50
	RN47	1/2 Ton 7ft Bed 4x4	Four 20R	2189cc	L43
Supra	MA46	2 Dr H.B.	Six 4ME	2563cc	A40D,W50
1980					
Celica	RA42	2 Dr Cpe & H.B.	Four 20R	2189cc	A40,W40,W50
Corolla					
exc Tercel	TE72	2&4 Dr	Four 3TC	1770cc	A40,T40,T50
Tercel	AL10	2 Dr	Four 1AC	1452cc	A55,Z41,Z51
Corona	RT134	4 Dr	Four 20R	2189cc	A40,W40,W50
Cressida	MX32	4 Dr Sed	Six 4ME	2563cc	A40D
	MX36	4 Dr S/W	Six 4ME	2563cc	A40D
Land Cruiser	FJ40	Hard & Soft Top	Six 2F	4230cc	H41
	FJ55	4 Dr S/W	Six 2F	4230cc	H41
Pickup	RN32	1/2 Ton 6ft Bed 4x2	Four 20R	2189cc	A40,L43,W50
	RN37	1/2 Ton 6ft Bed 4x4	Four 20R	2189cc	A40
	RN42	1/2 Ton 7ft Bed 4x2	Four 20R	2189cc	A40,L43,W50
	RN47	1/2 Ton 7ft Bed 4x4	Four 20R	2189cc	L43
Supra	MA46	2 Dr H.B.	Six 4ME	2563cc	A43D,W50

Cont.

IDENTIFICATION

MODEL REFERENCE (Cont.)

YEAR & MODEL	MODEL NUMBER	BODY STYLE	ENGINE	DISPLACEMENT	TRANSMISSION
1981					
Celica	RA43	2 Dr Cpe, H.B.	Four 22R	2367cc	A40D,W55
Corolla					
exc Tercel	TE72	2 Dr & 4 Dr	Four 3TC	1770cc	A40,T40,T50
Tercel	AL12	2 Dr	Four 3AC	1452cc	A40,Z41,Z51
Corona	RT135	4 Dr	Four 22R	2367cc	A40D,W55
Cressida	MX62	4 Dr Sed, S/W	Six 5ME	2759cc	A43D
Land Cruiser	FJ40	exc 4 Dr S/W	Six 2F	4230cc	H42
	FJ60	4 Dr S/W	Six 2F	4230cc	H42
Pickup	LN40	1/2 Ton 7ft Bed 4x2	Four L(Dsl)	2188cc	G52
	RN34	1/2 Ton 6ft Bed 4x2	Four 22R	2367cc	A43,L48,W50
	RN38	1/2 Ton 7ft Bed 4x4	Four 22R	2367cc	L45,L52
	RN44	1/2, 3/4 Ton 6ft Bed 4x2	Four 22R	2367cc	A43,L48,W50
	RN48	1/2 Ton 7ft Bed 4x4	Four 22R	2367cc	L45,L52
Starlet	KP61	2 Dr H.B.	Four 4KC	1290cc	K51
Supra	MA47	2 Dr H.B.	Six 5ME	2759cc	A43D,W50
1982					
Celica	RA64	2 Dr Cpe, H.B.	Four 22R	2367cc	A40D,W58
Corolla					
exc Tercel	TE72	2 Dr & 4 Dr	Four 3TC	1770cc	A40,A40D,T40,50
Tercel	AL12	2 Dr	Four 3AC	1452cc	A55,Z42,Z51
Corona	RT135	4 Dr	Four 22R	2367cc	A40D,W55
Cressida	MX62	4 Dr Sed, S/W	Six 5ME	2759cc	A43D
Land Cruiser	FJ40	H.T.	Six 2F	4230cc	H42
	FJ60	4 Dr S/W	Six 2F	4230cc	H42
Pickup	LN40	1/2 Ton 7ft Bed 4x2	Four L(Dsl)	2188cc	G52
	RN34	1/2 Ton 6ft Bed 4x2	Four 22R	2367cc	A40D,L48,W50
	RN38	1/2 Ton 7ft Bed 4x5	Four 22R	2367cc	L45,L52
	RN44	1/2, 3/4 Ton 7ft Bed 4x2	Four 22R	2367cc	A43D,L48,W50
	RN48	1/2 Ton 7ft Bed 4x4	Four 22R	2367cc	L45,L52
Starlet	KP61	2 Dr H.B.	Four 4KC	1290cc	K51
Supra	MA61	2 Dr H.B.	Six 5MGE	2759cc	A43DL,W58
1983					
Camry	SV11	4 Dr Sed, 5 Dr H.B.	Four 2SELCL	1995cc	A140E,S51
Celica	RA64,65	2 Dr Cpe, H.B.	Four 22REC	2366cc	A40D,W58
Corolla	AE71	2 Dr & 4 Dr	Four 4AC	1587cc	A41,A40D,T41,T50
Cressida	MX62	4 Dr S/W	Six 5MGE	2759cc	A43DE
	MX63	4 Dr Sed	Six 5MGE	2759cc	A43DE,W58
Land Cruiser	FJ40	H.T.	Six 2F	4230cc	H42
	FJ60	4 Dr S/W	Six 2F	4230cc	H42
Pickup	LN40	1/2 Ton 7ft Bed 4x2	Four L(Dsl)	2188cc	G52
	RN34	1/2 Ton 6ft Bed 4x2	Four 22R	2367cc	A43D,W42,52
	RN38	1/2 Ton 7ft Bed 4x4	Four 22R	2367cc	L45,L52
	RN44	1/2 Ton 6ft Bed 4x2	Four 22R	2367cc	A43D,W42,52
	RN48	1/2, 3/4 Ton 7ft Bed 4x2			
	RN48	1/2 Ton 7ft Bed 4x4	Four 22R	2367cc	L45,L52
Starlet	KP61	2 Dr H.B.	Four 4KE	1290cc	K40,K51
Supra	MA61	2 Dr H.B.	Six 5MGE	2759cc	A43DE,W58
Tercel	AL21	2, 4 Dr Sed	Four 3AC	1452cc	A55,Z44,Z52
	AL25	4 Dr S/W 4x4	Four 3AC	1452cc	Z52F
1984					
Camry	CV10	4 Dr Sed	Four 1CTLC (Dsl)	1839cc	A140L
	SV11	4 Dr Sed, 5 Dr H.B.	Four 2SELCL	1995cc	A140E,S51
Celica	RA64,65	2 Dr Cpe, H.B.	Four 22REC	2366cc	A40D,W58
Corolla	AE82(F.W.D.)	4 Dr Sed, H.B.	Four 4ALC	1587cc	A131L,C51
	AE86 (R.W.D.)	2 Dr Cpe, H.B.	Four 4AC	1587cc	A42DL,T50
	CE80(F.W.D.)	4 Dr Sed, H.B.	Four 1CLC(Dsl)	1839cc	A130L,S50
Cressida	MX62	4 Dr S/W	Six 5MGE	2759cc	A43DE
	MX63	4 Dr Sed	Six 5MGE	2759cc	A43DE,W58
Land Cruiser	FJ60	4 Dr S/W	Six 2F	4230cc	H42
Pickup	LN51	1/2 Ton 6ft Bed 4x2	Four 2L(Dsl)	2446cc	G40
	LN56	1/2 Ton 7ft Bed 4x2	Four 2L(Dsl)	2446cc	G52
	LN65	1/2 Ton 7ft Bed 4x4	Four 2L(Dsl)	2446cc	G52
	RN55	1/2, 3/4 Ton 7ft Bed 4x2	Four 22R	2366cc	A43D,W42,W52
	RN60	1/2 Ton 6ft Bed 4x4	Four 22R	2366cc	G52
	RN65	1/2 Ton 7ft Bed 4x4	Four 22R	2366cc	G52
Starlet	KP-61	2 Dr H.B.	Four 4KE	1290cc	K40,K51
Supra	MA61	2 Dr H.B.	Six 5MGE	2759cc	A43DE,W58

IDENTIFICATION

MODEL REFERENCE (Cont.)

YEAR & MODEL	MODEL NUMBER	BODY STYLE	ENGINE	DISPLACEMENT	TRANSMISSION
1984 (Cont.)					
Tercel	AL21	exc S/W 4x4	Four 3AC	1452cc	A55,Z44,52
	AL25	4 Dr S/W 4x4	Four 3AC	1452cc	A55F,Z52F
Van	YR21	Pass Van	Four 3YEC	1998cc	A44DL,G53
	YR27	Cargo Van	Four 3YEC	1998cc	A44DL,G53
4Runner	RN60	2,5 Pass 4x4	Four 22R Four 22REC	2366cc	G52
1985					
Camry	CV10	4 Dr Sed	Four 1CTLC (Dsl)	1839cc	A140L
	SV11	4 Dr Sed, H.B.	Four 2SELC	1995cc	A140E,S51
Celica	RA64,65	2 Dr Conv, Cpe, H.B.	Four 22REC	2366cc	A40D,W58
Corolla	AE82(F.W.D.)	4 Dr Sed, H.B.	Four 4ALC	1587cc	A131L,A240L,C51
	AE86(R.W.D.)	2 Dr Cpe, H.B.	Four 4AC 4AGEC	1587cc	A42DL,T50
	CE80(F.W.D.)	4 Dr Sed, H.B.	Four 1CLC (Dsl)	1839cc	A130L,S50
Cressida	MX72	4 Dr S/W	Six 5MGE	2759cc	A43DE
	MX73	4 Dr Sed	Six 5MGE	2759cc	A43DE,W58
Land Cruiser	FJ60	4 Dr S/W	Six 2F	4230cc	H42
MR2	AW11	2 Dr Cpe	Four 4AGELC	1587cc	C52
Pickup	LN51	1/2 Ton 6ft Bed 4x2	Four 2L(Dsl)	2446cc	G52
	LN56	1/2 Ton 7ft Bed 4x2	Four 2L(Dsl)	2446cc	G52
	LN65	1/2 Ton 7ft Bed 4x4	Four 2LT(Dsl)	2446cc	W56
	RN50	1/2 Ton 6ft Bed 4x2	Four 22R Four 22REC	2366cc	W56 A43D,W46,W56
	RN55	1/2-1 Ton 7ft Bed 4x2	Four 22R Four 22REC Four 22RTEC	2366cc	A340E,W46,W56
	RN60	1/2 Ton 6ft Bed 4x4	Four 22R Four 22REC	2366cc 2366cc	G52 W56
	RN65	1/2 Ton 7ft Bed 4x4	Four 22R Four 22REC	2366cc 2366cc	A340H,W56
Supra	MA61	2 Dr H.B.	Six 5MGE	2759cc	A43DE,W58
Tercel	AL21	exc 4 Dr S/W 4x4	Four 3AC	1452cc	A55,Z46,53
	AL25	4 Dr S/W 4x4	Four 3AC	1452cc	A55F,Z54F
Van	YR21	Pass Van	Four 3YEC	1998cc	A44DL,G53
	YR27	Cargo Van	Four 3YEC	1998cc	A44DL,G53
4Runner	RN60	2,5 Pass 4x4	Four 22REC	2366cc	A340H,W56
1986					
Camry	CV11	4 Dr Sed	Four 2CTLC	1974cc	A140L
	SV11	4 Dr Sed, H.B.	Four 2SELC	1995cc	A140E,S51
Celica	ST161	2 Dr Cpe, H.B.	Four 2SELC	1995cc	A140L,S53
	ST162	2 Dr Cpe, H.B.	Four 3SGELC	1998cc	A140E,S53
Corolla	AE82(F.W.D.)	4 Dr Sed, H.B.	Four 4ALC	1587cc	A131L,A240L,C51
	AE86(R.W.D.)	2 Dr Cpe, H.B.	Four 4AC Four 4AGEC	1587cc 1587cc	A42DL,T50
Cressida	MX72	4 Dr S/W	Six 5MGE	2759cc	A43DE
	MX73	4 Dr Sed	Six 5MGE	2759cc	A43DE,W58
Land Cruiser	FJ60	4 Dr S/W	Six 2F	4230cc	H42
MR2	AW11	2 Dr Cpe	Four 4AGELC	1587cc	A141E,C52
Pickup	RN50	1/2 Ton 6ft Bed 4x2	Four 22R Four 22REC	2366cc 2366cc	A43D,W46,56
	RN55	1/2-1 Ton 7ft Bed 4x2	Four 22R Four 22REC Four 22RTEC	2366cc 2366cc 2366cc	A43D,W56 A43D,W56 A340E,R150
	RN61	1/2 Ton 6ft Bed 4x2	Four 22R Four 22REC Four 22RTEC	2366cc 2366cc 2366cc	G52 W56 R151F
	RN66	1/2 Ton 7ft Bed 4x4	Four 22R Four 22REC Four 22RTEC	2366cc 2366cc 2366cc	G52 A340H,W56 A340H,R151F
	RN70	1/2 Ton Cab & Chassis 4x2	Four 22R	2366cc	A43D,W56
	RN75	Hvy Dty Cab & Chassis 4x2	Four 22REC	2366cc	A43D,W46
Supra	MA61	2 Dr H.B.	Six 5MGE	2759cc	A43DE,W58
	MA70	2 Dr H.B.	Six 7MGE	2954cc	A340E,W58
Tercel	AL21	exc 4x4 S/W	Four 3AC	1452cc	A55,Z46,53
	AL25	4x4 S/W	Four 3AC	1452cc	A55F,Z54F

IDENTIFICATION

MODEL REFERENCE (Cont.)

YEAR & MODEL	MODEL NUMBER	BODY STYLE	ENGINE	DISPLACEMENT	TRANSMISSION
1986 (Cont.)					
Van	YR22	Pass Van	Four 4YEC	2237cc	A44DL,G53
	YR29	Pass Van	Four 4YEC	2237cc	A44DL,G53
4Runner	RN61	2,5 Pass 4x4	Four 22REC Four 22RTEC	2366cc	A340H,R151F
1987					
Camry	SV21	4 Dr Sed, S/W	Four 3SFE	1998cc	A140E,S51
Celica	ST162	2 Dr Cpe, H.B.	Four 3SFE	1998cc	A140L,S53
			Four 3SGELC	1998cc	A140E,S53
Corolla	AE82(F.W.D.)	2 Dr (FX-16 Models)	Four 4AGELC	1587cc	A240E,C52
		4 Dr H.B.	Four 4ALC	1587cc	A131L,A240L,C51
	AE86(R.W.D.)	2 Dr Cpe, H.B.	Four 4AC	1587cc	A42DL,T50
			Four 4AGEC	1587cc	
Cressida	MX72	4 Dr S/W	Six 5MGE	2759cc	A340E
	MX73	4 Dr Sed	Six 5MGE	2759cc	A340E,W58
Land Cruiser	FJ60	4 Dr S/W	Six 2F	4230cc	H42
MR2	AW11	2 Dr Cpe	Four 4AGELC	1587cc	A240E,C52
Pickup	RN50	1/2 Ton 6ft Bed 4x2	Four 22R	2366cc	A43D,W46,56
	RN55	1/2-1 Ton 7ft Bed 4x2	Four 22R	2366cc	A43D,W56
			Four 22REC	2366cc	
	RN61	1/2 Ton 6ft Bed 4x4	Four 22R	2366cc	G52
			Four 22REC	2366cc	W56
			Four 22RTEC	2366cc	R151F
	RN66	1/2 Ton 7ft Bed 4x4	Four 22R	2366cc	G52
			Four 22REC	2366cc	A340H,W56
			Four 22RTEC	2366cc	R151F
	RN70	1/2 Ton Cab & Chassis 4x2	Four 22R	2366cc	A43D,W56
	RN75	Hvy Dty Cab & Chassis 4x2	Four 22REC	2366cc	A43D,W56
Supra	MA70	2 Dr H.B.	Six 7MGE	2954cc	A340E,W58
			Six 7MGTE	2954cc	A340E,R154
Tercel	AL21	exc 4x4 S/W	Four 3AC	1452cc	A55,Z46,53
	AL25	4x4 S/W	Four 3AC	1452cc	A55F,Z54F
	EL31	3,5 Dr Sed	Four 3E	1456cc	A132L,C140,141,150
Van	YR22,29	Pass Van 4x2	Four 4YEC	2237cc	A45DL,G53
	YR31,32	Pass Van 4x4	Four 4YEC	2237cc	A45DF,G53
4Runner	RN61	2,5 Pass 4x4	Four 22REC	2366cc	A340H,W56
		2,5 Pass 4x4	Four 22RTEC	2366cc	R151F
1988-89					
Camry	SV21	4 Dr Sed, S/W	Four 3SFE	1998cc	A140E,S51
	VZV21	4 Dr Sed, S/W	V6 2VZFE	2507cc	A541E
	SV25	4 Dr Sed A.W.D.	Four 3SFE	1998cc	E56F5
Celica	ST162	2 Dr Cpe, H.B.	Four 3SFE	1998cc	A140L,S53
			Four 3SGELC	1998cc	A140E,S53
Corolla	ST165	H.B. A.W.D.	Four 3SGTE	1998cc	E50F2
	AE82	2 Dr (FX,FX-16)	Four 4AGELC	1587cc	A240E,C52
			Four 4ALC	1587cc	A131L,C51
	AE92	2 Dr Cpe, 4 Dr Sed, S/W	Four 4AF	1587cc	A131L,A240L,C50,C52
		2 Dr Cpe	Four 4AGE	1587cc	C52
	AE95	S/W A.W.D.	Four 4AFE	1587cc	A241H,E57F5
Cressida	MX73	4 Dr Sed	Six 5MGE	2759cc	A340E
	MX83	4 Dr Sed	Six 7MGE	2954cc	A340E
Land Cruiser	FJ62	4 Dr S/W	Six 3FE	4230cc	A440F
MR2	AW11	2 Dr Cpe	Four 4AGELC	1587cc	A240E,C52
			Four 4AGZE	1587cc	A241E,E51
Pickup	RN50	1/2 Ton 6ft Bed 4x2	Four 22R	2366cc	G40,G57,W46,W55
			Four 22REC	2366cc	A43D
	RN55	1/2-1 Ton 7ft Bed 4x2	Four 22R	2366cc	A43D,G57,W46,W55
			Four 22REC	2366cc	A43D,G57,W46,W55,W56
			Four 22RTEC	2366cc	R150
	RN61	1/2 Ton 6ft Bed 4x4	Four 22REC	2366cc	W56
	RN66	1/2 Ton 7ft Bed 4x4	Four 22REC	2366cc	A340H,W56
	RN70	1/2 Ton Cab & Chassis 4x2	Four 22R	2366cc	A43D,G57,W55
			Four 22REC	2366cc	A43D
	RN75	Hvy Dty Cab & Chassis 4x2	Four 22REC	2366cc	A43D,W46
	VZN61	1/2 Ton 6ft Bed 4x4	V6 3VZE	2958cc	R150F
	VZN66	1/2 Ton 7ft Bed 4x4	V6 3VZE	2958cc	A340H,R150F

IDENTIFICATION

MODEL REFERENCE (Cont.)

YEAR & MODEL	MODEL NUMBER	BODY STYLE	ENGINE	DISPLACEMENT	TRANSMISSION
1988-89 (Cont.)					
Supra	MA70	2 Dr H.B.	Six 7MGE	2954cc	A340E,W58
			Six 7MGTE	2954cc	A340E,R154
Tercel	AL25	S/W A.W.D.	Four 3AC	1452cc	A55F,Z54F
	EL31	2 Dr Cpe, 3 & 5 Dr Sed	Four 3E	1456cc	A132L,C140,C141,C150
Van	YR22,29	Van 4x2	Four 4YEC	2237cc	A45DL,G53
	YR31,32	Van 4x4	Four 4YEC	2237cc	A45DL,G53
4Runner	RN61	2,5 Pass 4x4	Four 22REC	2366cc	A340H,W56
	VZN61	2,5 Pass 4x4	V6 3VZE	2958cc	A340H,R150F
1990-91					
Camry	SV21	4 Dr Sed, S/W	Four 3SFE	1998cc	A140E,A140L,S51
	VZV21	4 Dr Sed, S/W	V6 2VZFE	2507cc	A540E,E52
	SV25	4 Dr Sed A.W.D.	Four 3SFE	1998cc	A540H,E56F5
Celica	AT180	2 Dr Cpe	Four 4AFE	1587cc	A243L,C52
	ST184	2 Dr Cpe, H.B.	Four 5SFE	2164cc	A2H1E,A241L,S53
	ST185	H.B. A.W.D.	Four 3SGTE	1998cc	E150F
Corolla	AE92	2 Dr Cpe, 4Dr Sed, S/W	Four 4AFE	1587cc	A131L,A240L,C50,C52
		2 Dr Cpe	Four 4AGE	1587cc	C50,C52
	AE95	4 Dr Sed, S/W A.W.D.	Four 4AFE	1587cc	A241H,E55F5,E57F5
Cressida	MX83	4 Dr Sed	Six 7MGE	2954cc	A340E
Land Cruiser	FJ62	4 Dr S/W	Six 3FE	3956cc	A440F,A442F
	FJ80	4 Dr S/W	Six 3FE	3956cc	A440F
MR2	SW20	2 Dr Cpe	Four 3SGTE	1998cc	E153
	SW21	2 Dr Cpe	Four 5SFE	2164cc	A241E,S51
Pickup	RN80	1/2 Ton 6ft Bed 4x2	Four 22R	2366cc	G40,G57
			Four 22RE	2366cc	A43D,W46,W55
	RN85	1/2 Ton 7ft Bed 4x2	Four 22R	2366cc	G57
			Four 22RE	2366cc	A43D,W55
	RN90	1/2 Ton Xtra Cab 4x2	Four 22R	2366cc	G57
			Four 22RE	2366cc	A43D,W55
	RN101	1/2 Ton 6ft Bed 4x4	Four 22RE	2366cc	A340F,W56
	RN106	1/2 Ton 7ft Bed 4x4	Four 22RE	2366cc	A340F,W56
	RN110	1/2 Ton Xtra Cab 4x4	Four 22RE	2366cc	A340F,W56
	VZN85	1/2 Ton 7ft Bed 4x2	V6 3VZE	2958cc	A340E,R150
	VZN90	1/2 Ton Xtra Cab 4x2	V6 3VZE	2958cc	A340E,R150
	VZN95	1/2 Ton Cab & Chassis 4x2	V6 3VZE	2958cc	A340E,R150
	VZN100	1/2 Ton 6ft Bed 4x4	V6 3VZE	2958cc	R150F
	VZN105	1/2 Ton 7ft Bed 4x4	V6 3VZE	2958cc	A340H,R150F
	VZN110	1/2 Ton Xtra Cab 4x4	V6 3VZE	2958cc	A340H,R150F
Previa	TCR10	Pass Van 4x2	Four 2TZFE	2438cc	A46DE,G59
	TCR20	Pass Van 4x4	Four 2TZFE	2438cc	A46DF,G57
Supra	MA70	2 Dr Cpe	Six 7MGE	2954cc	A340E,W58
			Six 7MGTE	2954cc	A340E,R154
Tercel	EL31	2 & 4 Dr Sed	Four 3E	1456cc	A132L,C140,C141,C150
	EL42	2 & 4 Dr	Four 3EE	1456cc	A132L,C150
4Runner	RN120	2,5 Pass 4x2	Four 22RE	2366cc	A44D
	RN130	2,5 Pass 4x4	Four 22RE	2366cc	A340F,A340H,G58,W56
	VZN120	2,5 Pass 4x2	V6 3VZE	2958cc	A340E
	VZN130	2,5 Pass 4x4	V6 3VZE	2958cc	A340H,R150F
1992					
Camry	SXV10	4 Dr Sed, S/W	Four 5SFE	2164cc	A140E,S51
	VCV10	4 Dr Sed, S/W	V6 3VZFE	2959cc	A540E,E53
Celica	AT180	2 Dr Cpe	Four 4AFE	1587cc	A243L,C52
	ST184	2 Dr Cpe, H.B.	Four 5SFE	2164cc	A241E,S53
	ST185	H.B. A.W.D.	Four 3SGTE	1998cc	E150F
Corolla	AE92	4 Dr Sed, S/W	Four 4AFE	1587cc	A131L,A240L,C50
	AE95	S/W A.W.D.	Four 4AFE	1587cc	A241H,E57F5
Cressida	MX83	4 Dr Sed	Six 7MGE	2954cc	A340E
Land Cruiser	FJ80	4Dr S/W	Six 3FE	3956cc	A440F
MR2	SW20	2 Dr Cpe	Four 3SGTE	1998cc	E153
	SW21	2 Dr Cpe	Four 5SFE	2164cc	A241E,S54
Paseo	EL44	2 Dr Cpe	Four 5EFE	1456cc	A244E,C150
Pickup	RN80	1/2 Ton 6ft Bed 4x2	Four 22RE	2367cc	A43D,W55
	RN85	1/2 Ton 7ft Bed 4x2	Four 22RE	2367cc	A43D,W55
	RN90	1/2 Ton Xtra Cab 4x2	Four 22RE	2367cc	A43D,W55
	RN101	1/2 Ton 6ft Bed 4x4	Four 22RE	2367cc	A340E,G58,W56
	RN106	1/2 Ton 7ft Bed 4x4	Four 22RE	2367cc	G58,W56
	RN110	1/2 Ton Xtra Cab 4x4	Four 22RE	2367cc	A340F,G58,W56
	V2N90	1/2 Ton Xtra Cab 4x2	V6 3VZE	2959cc	A340E,R150
	VZN95	1/2 Ton Cab & Chassis 4x2	V6 3VZE	2959cc	A340E,R150

IDENTIFICATION

MODEL REFERENCE (Cont.)

YEAR & MODEL	MODEL NUMBER	BODY STYLE	ENGINE	DISPLACEMENT	TRANSMISSION
1992 (Cont.)					
Pickup (Cont.)	VZN100	1/2 Ton 6ft Bed 4x4	V6 3VZE	2959cc	R150F
	VZN105	1/2 Ton 7ft Bed 4x4	V6 3VZE	2959cc	R150F
	VZN110	1/2 Ton Xtra Cab 4x4	V63VZE	2959cc	A340H,R150F
Previa	TCR10	Pass Van 4x2	Four 2TZFE	2438cc	A46DE,G59
	TCR20	Pass Van 4x4	Four 2TZFE	2438cc	A46DF,G57
Supra	MA70	2 Dr H.B.	Six 7MGE	2954cc	A340E,W58
			Six 7MGTE	2954cc	A340E,R154
Tercel	EL42	2 & 4 Dr Sed	Four 3EE	1457cc	A132L,C141,C150
4Runner	RN130	2,5 Pass 4x4	Four 22RE	2367cc	A340H,G58,W56
	VZN120	2,5 Pass 4x2	V6 3VZE	2959cc	A340E
	VZN130	2,5 Pass 4x4	V6 3VZE	2959cc	A340H,R150F
1993-95					
Avalon	MCX10	4 Dr Sed	V6 1MZFE	2995cc	A541E
Camry	SXV10	4 Dr Sed, S/W	Four 5SFE	2164cc	A140E,S51
	MCV10	4 Dr Sed, S/W	V6 1MZFE	2995cc	A541E
Celica	AT200	2 Dr Cpe	Four 7AFE	1762cc	C52,A246E
	ST204	2 Dr Cpe, H.B.	Four 5SFE	2164cc	S54,A140E
Corolla	AE101	4 Dr Sed.	Four 4AFE	1587cc	A131L,C50
	AE102	4 Dr Sed, S/W	Four 7AFE	1762cc	A245E,C52
Land Cruiser	FZJ80	4Dr S/W	Six 1FZFE	4477cc	A442F
MR2	SW20	2 Dr Cpe	Four 3SGTE	1998cc	E153
	SW21	2 Dr Cpe	Four 5SFE	2164cc	A241E,S54
Paseo	EL44	2 Dr Cpe	Four 5EFE	1456cc	A244E,C150
Pickup	RN80	1/2 Ton 6ft Bed 4x2	Four 22RE	2367cc	A43D,W55
	RN85	1/2 Ton 7ft Bed 4x2	Four 22RE	2367cc	A43D,W55
	RN90	1/2 Ton Xtra Cab 4x2	Four 22RE	2367cc	A43D,W55
	RN101	1/2 Ton 6ft Bed 4x4	Four 22RE	2367cc	A340E,G58,W56
	RN106	1/2 Ton 7ft Bed 4x4	Four 22RE	2367cc	G58,W56
	RN110	1/2 Ton Xtra Cab 4x4	Four 22RE	2367cc	A340F,G58,W56
	VZN85	1 Ton 7ft Bed 4x2,	V6 3VZE	2959cc	A340E,R150
		1/2 Ton Cab & Chassis 4x2			
	V2N90	1/2 Ton Xtra Cab 4x2	V6 3VZE	2959cc	A340E,R150
	VZN95	1/2 Ton Cab & Chassis 4x2	V6 3VZE	2959cc	A340E,R150
	VZN100	1/2 Ton 6ft Bed 4x4	V6 3VZE	2959cc	R150F
	VZN105	1/2 Ton 7ft Bed 4x4	V6 3VZE	2959cc	R150F
	VZN110	1/2 Ton Xtra Cab 4x4	V6 3VZE	2959cc	A340H,R150F
Previa	TCR10	Pass Van 4x2	Four 2TZFE	2438cc	A46DE,G59
	TCR20	Pass Van 4x4	Four 2TZFE	2438cc	A46DF,G57
Supra	JZA80	2 Dr H.B.	Six 2JZGE	2959cc	W58,A340E
			Six 2JZGTE	2959cc	V160,A340E
Tacoma	RZN140L	1/2 Ton 6ft Bed 4x2	Four 2RZFE	2438cc	A43D,W59
	RZN150L	1/2 Ton Xtra Cab 4x2	Four 2RZFE	2438cc	A43D,W59
	RZN161L	1/2 Ton 6ft Bed 4x4	Four 3RZFE	2693cc	A340F,W59
	RZN171L	1/2 Ton Xtra Cab 4x4	Four 3RZFE	2693cc	A340F,W59
	VZN150L	1/2 Ton 6ft Bed 4x2	V6 5VZFE	3378cc	A340E,R150
	VZN160L	1/2 Ton 6ft Bed 4x4	V6 5VZFE	3378cc	A340F,R150F
	VZN170L	1/2 Ton Xtra Cab 4x4	V6 5VZFE	3378cc	A340F,R150F
Tercel	EL42	2 & 4 Dr Sed	Four 3EE	1457cc	A132L,C141,C150
	EL53	2 & 4 Dr Sed	Four 5EFE	1456cc	A132L,A242L,C141,C151
T100	VCK10	1/2 Ton 8ft Bed 4x2	V6 3VZE	2958cc	A340E,R150
	VCK10	1/2 Ton 8ft Bed 4x4	V6 3VZE	2958cc	A340E,R150
	VCK20	1 Ton 8ft Bed 4x2	V6 3VZE	2958cc	R150
4Runner	RN130	2,5 Pass 4x4	Four 22RE	2367cc	A340H,G58,W56
	VZN120	2,5 Pass 4x2	V6 3VZE	2959cc	A340E
	VZN130	2,5 Pass 4x4	V6 3VZE	2959cc	A340H,R150F
1996-99					
Avalon	MCX10	4 Dr Sed	V6 1MZFE	2995cc	AS41E
Camry	SXV10	4 Dr Sed,Cpe,S/W	Four 5SFE	2164cc	A140E,S51
	MCV10		V6 1MZFE	2995cc	A 541E
Celica	AT200	2 Dr Cpe, Conv	Four 7AFE	1762cc	A246E,C52
	ST204		Four 5SFE	2164cc	A140E,S54
Corolla	AE101	4 Dr Sed	Four 4AFE	1587cc	A131L, C50
	AE102	4 Dr Sed, S/W	Four 7AFE	1762cc	A245E, C52
	ZZE110	4 Dr Sed	Four 1ZZFE	1762cc	A131L, A245E, C59
Land Cruiser	FZJ80	4 Dr S/W	Six 1ZFTE	4477cc	A343F
	UZJ100	4 Dr S/W	V8 2UZFE	4690cc	A343F
Paseo	EL54	2 Dr Cpe	Four 5EFE	1456cc	A244E, C150
Previa	TCR10	Pass Van 4x2	Four 2TZFZE	2438cc	A340E
	TCR20	4x4	Four 2TZFZE	2438cc	A340F

IDENTIFICATION

MODEL REFERENCE (Cont.)

YEAR & MODEL	MODEL NUMBER	BODY STYLE	ENGINE	DISPLACEMENT	TRANSMISSION
1996-99 (Cont.)					
RAV4	SXA10	2 Dr	Four 3SFE	1998cc	A241E, E250
	SXA11	4 Dr	Four 3SFE	1998cc	A540H, 3250F
Sienna	MCL10	Van 4 Dr, 5 Dr	V6 1MZFE	2959cc	A540E
Supra	JZA80	2 Dr H.B.	Six 2JZGE	2959cc	A340E, W58
			Six 2JZTE	2959cc	A340E
Tacoma	RZN140L	1/2 Ton 6ft Bed 4x2	Four 2RZFE	2438cc	A43D, W59
	RZN150L	1/2 Ton Xtra Cab 4x2	Four 2RZFE	2438cc	A43D, W59
	RZN161L	1/2 Ton 6ft Bed 4x4	Four 3RZFE	2693cc	A340F, W59
	RZN171L	1/2 Ton Xtra Cab 4x4	Four 3RZFE	2693cc	A340F, R150F
	VZN150L	1/2 Ton 6ft Bed 4x2	V6 5VZFE	3378cc	A340E, R150
	VZN160L	1/2 Ton 6ft Bed 4x4	V6 5VZFE	3378cc	A340F, R150F
	VZN170L	1/2 Ton Xtra Cab 4x4	V6 5VZFE	3378cc	A340F, R150F
Tercel	EL53	2 Dr & 4 Dr Sed	Four 5EFE	1456cc	A132L, A242L, C141, C151
T100	RCK10	1/2 Ton 4x2	Four 3RZFE	2693cc	A340E, W59
	VCK11	1/2 Ton 4x2	V6 SVZFE	3378cc	A340E, R150
	VCK21	1/2 Ton 4x4	V6 5VZFE	3378cc	A340F, R150F
4Runner	RZN180	2,5 Pass 4x2	Four 3RZFE	2693cc	A340E, W59
	RZN185	2,5 Pass 4x4	Four 3RZFE	2693cc	A340F, W59
	VZN180	2,5 Pass 4x2	V6 5VZFE	3378cc	A340E
	VZN185	2,5 Pass 4x4	V6 5VZFE	3378cc	A340F, R150F
2000					
Avalon	MCX10	4 Dr Sed	V6 1MZFE	2995cc	A541E
Camry	SXV10	4 Dr Sed	Four 5SFE	2164cc	A140E, S51
	MCV10		V6 1MZFE	2995cc	A 541E
Camry Solara	SXV20	2 Dr Cpe, Conv	Four 5SFE	2164cc	A140E, S51
	MCV20	2 Dr Cpe, Conv	V6 1MZFE	2995cc	A541E, EI53
Celica	ZZT23	2 Dr Hatchback	Four 1ZZFE	1794cc	U341E, C56
	ZZT23	2 Dr Hatchback	Four 2ZZGE	1796cc	U240E, C60
Corolla	ZZE110	4 Dr Sed	Four 1ZZFE	1794cc	A131L, A245E, C59
Echo	NCP12	2 Dr Sed	Four 1NZFE	1497cc	U340E, C150
		4 Dr Sed	Four 1NZFE	1497cc	U340E, C150
Land Cruiser	UZJ100	4 Dr Utility	V8 2UZFE	2995cc	U140E, U140F
MR2	ZZW30	2 Dr Conv	Four 1ZZFE	1749cc	C56
RAV4	SXA	4 Dr FWD Utility	Four 3SFE	1998cc	A247E, E250
		4 Dr AWD Utilit	Four 3SFE	1998cc	A540H, E250F
Sienna	MCL10	Van	V6 1MZFE	2995cc	A540E
Tacoma	RZN	Pick-up	Four 2RZFE	2366cc	A43D, W59
	RZN	Pick-up	Four 3RZFE	2693cc	A340E, A340F, W59
	VZN	Pick-up	V6 5VZFE	3378cc	A340E, R150,
					A340F, R150F
Tundra	UCK	Pick-up	V6 5VZFE	3378cc	A340F, R150F
	VCK	Pick-up	V8 2UZFE	4663cc	A340E, A340F
4Runner	RZN	4 Dr Utility	Four 3RZFE	2693cc	A340E, W59
	VZN		V6 5VZFE	3378cc	A340E, A340F, R150F
2001-02					
Avalon	MCX10, 20	4 Dr Sed	V6 1MZFE	2995cc	A541E
Camry	SXV10, ACV30	4 Dr Sed	Four 5SFE, 2AZFE	2164cc, 2362cc	A140E, S51, E351, U241E
	MCV10, 30		V6 1MZFE	2995cc	A 541E, U140E
Camry Solara	SXV20, ACV20	2 Dr Cpe, Conv	Four 5SFE, 2AZFE	2164cc, 2362cc	A140E, S51, E351, U241E
	MCV20	2 Dr Cpe, Conv	V6 1MZFE	2995cc	A541E, EI53
Celica	ZZT230	2 Dr Hatchback	Four 1ZZFE	1794cc	U341E, C56
	ZZT231	2 Dr Hatchback	Four 2ZZGE	1796cc	U240E, C60
Corolla	ZZE110	4 Dr Sed	Four 1ZZFE	1794cc	A131L, A245E, C59
Echo	NCP12	2 Dr Sed	Four 1NZFE	1497cc	U340E, C150
		4 Dr Sed	Four 1NZFE	1497cc	U340E, C150
Highlander	ACU, MCU	4 Dr Utility	Four 2AZFE	2362cc	U140F, U241E
			V6 1MZFE	2995cc	U140E, U140F
Land Cruiser	UZJ100	4 Dr Utility	V8 2UZFE	3663cc	A343F
MR2	ZZW30	2 Dr Conv	Four 1ZZFE	1749cc	C56, C56M
Prius	NWH11	4 Dr Sedan	Four 1NZFXE	1497cc	P111
RAV4	SXA	4 Dr FWD Utility	Four 1AZFE	1998cc	E352, U241E
		4 Dr AWD Utility	Four 1AZFE	1998cc	E352, U140F
Sequoia	UCK35, 45	4 Dr Utility	V8 2UZFE	4663cc	A340E, A340F
Sienna	MCL10	Van	V6 1MZFE	2995cc	A540E, A541E
Tacoma	RZN	Pick-up	Four 2RZFE	2366cc	A44D, W59
	RZN	Pick-up	Four 3RZFE	2693cc	A340E, A340F, W59
	VZN	Pick-up	V6 5VZFE	3378cc	A340E, R150,
					A340F, R150F
Tundra	UCK	Pick-up	V6 5VZFE	3378cc	A340E, A340F, R150, R150F
	VCK	Pick-up	V8 2UZFE	4663cc	A340E, A340F
4Runner	RZN	4 Dr Utility	Four 3RZFE	2693cc	A340E, W59
	VZN		V6 5VZFE	3378cc	A340E, A340F, R150F

Cont.

IDENTIFICATION

MODEL REFERENCE (Cont.)

YEAR & MODEL	BODY STYLE	ENGINE	TRANSMISSION
2003-2004			
4-Runner	4 Dr Utility	4.0L (1GR-FE) V-6	A340E, A340F
	4 Dr Utility	4.7L (2UZ-FE) V-8	A750E, A750F
Avalon	4 Dr Sed	3.0L (1MZ-FE) V-6	A541E
Camry	4 Dr Sed	2.4L (2AZ-FE) V-6	E351, U241E
		3.0L (1MZ-FE) V-6	U140E, U151E
Camry Solara		3.3L (3MZ-FE)	U151E
	2 Dr Cpe, Conv	2.4L (2AZ-FE) Four	E351, U241E
	2 Dr Cpe, Conv	3.0L (1MZ-FE) V-6	A541E
Celica		3.3L (3MZ-FE) V-6	U151E
	2 Dr HB	1.8L (Vin R) (1ZZ-FE) Four	C56, U341E
	2 Dr HB	1.8L (Vin Y) (2ZZ-6E) Four	C60, U240E
Corolla	4 Dr Sed	1.8L (1ZZ-FE) Four	A245E, C59
Echo	2 Dr Sed, 4 Dr Sed	1.5L (1NZ-FE) Four	C150, U340E
Highlander	4 Dr Utility	2.4L (2AZ-FE) Four	U140F, U241E
		3.0L (1MZ-FE) V-6	U140E, U140F
		3.3L (3MZ-FE) V-6	U151E, U151F
Land Cruiser	4 Dr Utility	4.7L (2UZ-FE) V-8	A750F
	4 Dr Wgn	1.8L (Vin R) (1ZZ-FE) Four	C59, U341F, A246E
Matrix		1.8L (Vin Y) (2ZZ-FE) Four	U240E, C60
MR2	2 Dr Conv	1.8L (1ZZ-FE) Four	C65M, C56
Prius	4 Dr Hatchback	1.5L (1NZ-FXE) Four	P11, P12
RAV4	4 Dr Utility	2.0L (1AZ-FE) Four	E352, E352F, U140F, U241E
		2.4L (2AZ-FE) Four	E352, E359F, U140F, U241E
Sequoia	4 Dr Utility	4.7L (2UZ-FE) V-8	A340E, A340F
Sienna	Van	3.0L (1MZ-FE) V-6	A541E
		3.3L (3MZ-FE) V-6	U151E, U151F
Tacoma	Pick-up	2.4L (2RZ-FE) Four	W59, A44D
	Pick-up	2.7L (3RZ-FE) Four	W59, A340E, A340F
Tundra	Pick-up	3.4L (5VZ-FE) V-6	R150, R150F, A340E, A340F
	Pick-up	3.4L (5VZ-FE) V-6	R150F, R150, A340E, A340F
	Pick-up	4.7L (2UZ-FE) V-8	A340E, A340F
2005-2007			
4-Runner	4 Dr Utility	4.0L (1GR-FE) V-6	A750E, A750F
	4 Dr Utility	4.7L (2UZ-FE) V-8	A750E, A750F
Avalon	4 Dr Sed	3.5L (2GR-FE) V-6	U151E
Camry	4 Dr Sed	2.4L (2AZ-FE) Four	E351, U250E
		3.0L (1MZ-FE) V-6	U151E
		3.3L (3MZ-FE) V-6	U151E
		2.4L (Vin E) (2AZ-FE) Four	E351, U250E (07)
		2.4L (Vin K) (2AZ-FXE) Four	P311 (07)
Camry Solara		3.5L (2GR-FE) V-6	U660E (07)
	2 Dr Conv	3.3L (3MZ-FE) V-6	U151E
	2 Dr Cpe	2.4L (2AZ-FE) Four	E351, U241E (05), E351, U250E (06)
Celica		3.3L (3MZ-FE) V-6	U151E
	2 Dr HB	1.8L (Vin R) (1ZZ-FE) Four	C56, U341E
Corolla	2 Dr HB	1.8L (Vin Y) (2ZZ-GE) Four	C60, U240E
	4 Dr Sed	1.8L (Vin R) (1ZZ-FE) Four	A245E, C59
Echo		1.8L (Vin Y) (2ZZ-GE) Four	C60
	2 Dr Sed	1.5L (1NZ-FE) Four	C150, U340E
FJ Cruiser	4 Dr Sed	1.5L (1NZ-FE) Four	C150, U340E
	2 Dr Utility	4.0L (1GR-FE) V-6	A750E, A750F, RA60F
Highlander	4 Dr Utility	2.4L (2AZ-FE) Four	U140F, U241E
		3.3L (3MZ-FE) V-6	U151E, U151F, P310 (06)
Land Cruiser	4 Dr Utility	4.7L (2UZ-FE) V-8	A750F
	4 Dr Wgn	1.8L (Vin R) (1ZZ-FE) Four	A246E, C59, U341F
Matrix		1.8L (Vin Y) (2ZZ-GE) Four	C60
MR2	2 Dr Conv	1.8L (1ZZ-FE) Four	C56, C65M
Prius	4 Dr Hatchback	1.5L (1NZ-FXE) Four	P112
RAV4 (05)	4 Dr Utility	2.4L (2AZ-FE) Four	E352, E359F, U140F, U241E
RAV4 (06)	4 Dr Utility	2.4L (2AZ-FE) Four	U140F, U241E
	4 Dr Utility	3.5L (2GR-FE) V-6	U151E, U151F, U241E
Sequoia	4 Dr Utility	4.7L (2UZ-FE) V-8	A750E, A750F
Sienna	Van	3.3L (3MZ-FE) V-6	U151E, U151F
	Van	3.5L (2GR-FE) V-6	U151E, U151F
Tacoma	2 Dr Pick-up	2.7L (2TR-FE) Four	A340E, R155, R155F
	4 Dr Pick-up	4.0L (1GR-FE) V-6	A750E, A750F, RA60F
	4 Dr Pick-up Extra Cab	2.7L (2TR-FE) Four	A340E, R155, R155F
	4 Dr Pick-up Extra Cab	4.0L (1GR-FE) V-6	A750E, A750F, RA60, RA60F

IDENTIFICATION

MODEL REFERENCE (Cont.)

YEAR & MODEL	BODY STYLE	ENGINE	TRANSMISSION	
2005-2007 (Cont.)	Tundra	2 Dr Pick-up	4.0L (1GR-FE) V-6	A750E, RA60
			4.0L (1GR-FE) V-6	A750E (07)
			4.7L (2UZ-FE) V-8	A750E, A750F (07)
		4 Dr Pick-up	5.7L (3UZ-FE) V-8	AB60E, AB60F (07)
			4.7L (2UZ-FE) V-8	A750E, A750F
			4.0L (1GR-FE) V-6	A750E (07)
	4 Dr Pick-up Extra Cab	4.7L (2UZ-FE) V-8	A750E, A750F (07)	
		5.7L (3UZ-FE) V-8	AB60E, AB60F (07)	
		4.0L (1GR-FE) V-6	A750E, RA60	
		4.7L (2UZ-FE) V-8	A750E, A750F (07)	
	Yaris	2 Dr Hatchback	5.7L (3UZ-FE) V-8	AB60E, AB60F (07)
			1.5L (1NZ-FE) Four	C50, U340E
		4 Dr Sed	1.5L (1NZ-FE) Four	C50, U340E

IDENTIFICATION

TRANSMISSION REFERENCE CHART

A30	3 Spd Auto	C50	5 Spd Std	RA60F	6 Spd Std
A40	3 Spd Auto	C51	5 Spd Std	R150	5 Spd Std
A40D	4 Spd Auto	C52	5 Spd Std	R150F	5 Spd Std
A41	3 Spd Auto	C56,C56M	5 Spd Std	R151F	5 Spd Std
A42DL	4 Spd Auto	C59	5 Spd	R154	5 Spd Std
A43	3 Spd Auto	C60	6 Spd Std	R155	5 Spd Std
A43D	4 Spd Auto	C65M	6 Spd Std	R155F	5 Spd Std
A43DE	4 Spd Auto	C140	4 Spd Std	S50	5 Spd Std
A43DL	4 Spd Auto	C141	4 Spd Std	S51	5 Spd Std
A44D	4 Spd Auto	C150	5 Spd Std	S53	5 Spd Std
A44DL	4 Spd Auto	C151	5 Spd Std	S54	5 Spd Std
A45DF	4 Spd Auto	E50F2	5 Spd Std	T40	4 Spd Std
A45DL	4 Spd Auto	E51	5 Spd Std	T41	4 Spd Std
A46DE	4 Spd Auto	E52	5 Spd Std	T50	5 Spd Std
A46DF	4 Spd Auto	E53	5 Spd Std	U140E	4 Spd Auto
A55	3 Spd Auto	E55F5	5 Spd Std	U140F	4 Spd Auto
A55F	3 Spd Auto	E56F5	5 Spd Std	U151E	5 Spd Auto
A130L	3 Spd Auto	E57F5	5 Spd Std	U151F	5 Spd Auto
A131L	3 Spd Auto	E150F	5 Spd Std	U240E	4 Spd Auto
A132L	4 Spd Auto	E153	5 Spd Std	U241E	4 Spd Auto
A140E	4 Spd Auto	E250	5 Spd Std	U250E	5 Spd Auto
A140L	4 Spd Auto	E250F	5 Spd Std	U340E	4 Spd Auto
A141E	4 Spd Auto	E351	5 Spd Std	U341E	4 Spd Auto
A240E	4 Spd Auto	E352	5 Spd Std	U341F	4 Spd Auto
A240L	4 Spd Auto	E359F	5 Spd Std	U151F	5 Spd Auto
A241E	4 Spd Auto	G40	4 Spd Std	U660E	6 Spd Auto
A241H	4 Spd Auto	G52	5 Spd Std	V160	6 Spd
A241L	4 Spd Auto	G53	5 Spd Std	W40	4 Spd Std
A242L	4 Spd Auto	G57	5 Spd Std	W42	4 Spd Std
A243L	4 Spd Auto	G58	5 Spd Std	W46	4 Spd Std
A244E	4 Spd Auto	G59	5 Spd Std	W50	5 Spd Std
A245E	4 Spd Auto	H41	5 Spd Std	W52	5 Spd Std
A246E	4 Spd Auto	H42	5 Spd Std	W55	5 Spd Std
A340E	4 Spd Auto	K40	4 Spd Std	W56	5 Spd Std
A340F	4 Spd Auto	K50	5 Spd Std	W58	5 Spd Std
A340H	4 Spd Auto	K51	5 Spd Std	W59	5 Spd Std
A343F	4 Spd Auto	L40	4 Spd Std	Z41	4 Spd Std
A440F	4 Spd Auto	L43	4 Spd Std	Z42	4 Spd Std
A442F	4 Spd Auto	L45	4 Spd Std	Z44	4 Spd Std
A540E	4 Spd Auto	L48	4 Spd Std	Z46	4 Spd Std
A540H	4 Spd Auto	L52	5 Spd Std	Z51	5 Spd Std
A541E	4 Spd Auto	P11	CVT Auto	Z52	5 Spd Std
A750E	5 Spd Auto	P112	CVT Auto	Z52F	5 Spd Std
A750F	5 Spd Auto	P310	CVT Auto	Z53	5 Spd Std
AB60E	6 Spd Auto	P311	CVT Auto	Z54F	5 Spd Std
AB70F	6 Spd Auto	RA60	6 Spd Std		

IDENTIFICATION

VOLKSWAGEN

AIR COOLED BEETLE & KARMANN GHIA
MODEL IDENTIFICATION NUMBER OR PLATE LOCATION

Chassis Number - On frame tunnel under rear seat.

Model Number - In front compartment behind spare wheel.

MODEL	BODY STYLE
Std Beetle, Ghia	
111	2 Dr Sedan Std w/o Sliding Roof
113	2 Dr Sedan Deluxe w/o Sliding Roof
115	2 Dr Sedan Std w/Sliding Roof
117	2 Dr Sedan Deluxe w/Sliding Roof
151	2 Dr Convertible 4 Seater
141	2 Seat Convertible Ghia
143	2 Seat Coupe Ghia
Super Beetle	
113	2 Dr Sedan Deluxe w/o Sliding Roof
117	2 Dr Sedan Deluxe w/Sliding Roof
151	2 Dr Convertible Four Seater

YEAR MODEL & STARTING CHASSIS SERIAL NUMBER

YEAR MODEL	PRODUCTION DATE	CHASSIS NUMBER
1973		
Bug (Std Beetle)	8-72	113 2000 001
	12-72	113 2438 833
	7-72	113 3200 000
Super Beetle	8-72	133 2000 001
	12-72	133 2438 833
	7-73	133 3200 000
Ghia	8-72	143 2000 001
	12-72	143 2401 301
	7-73	143 3200 000
1974		
Bug (Std Beetle)	8-73	114 2000 001
	12-73	114 2423 795
	7-74	114 2999 000
Super Beetle	8-73	134 2000 001
	12-73	134 2423 795
	7-74	134 2999 000
Ghia	8-73	144 2000 001
	7-74	144 2999 000
1975		
Bug (Std Beetle)	8-74	115 2000 001
	12-74	115 2143 743
	7-75	115 2600 000
Super Beetle	8-74	135 2000 001
	12-74	135 2143 743
	7-75	135 2600 000
1976		
Bug (Std Beetle)	8-75	116 2000 001
	12-75	116 2068 454
Super Beetle	8-75	156 2000 001
	12-75	156 2068 454
1977		
Bug (Std Beetle)	8-76	117 2000 001
	12-76	117 2063 700
Super Beetle	8-76	157 2000 001
	12-76	157 2060 038
1978		
Super Beetle (Conv)	8-77	158 2000 001
1979		
Super Beetle (Conv)	8-78	159 2000 001
1980		
Super Beetle (Conv)	8-79	159 2036 063

Cont.

IDENTIFICATION

AIR COOLED BEETLE & KARMANN GHIA (Cont.)

ENGINE IDENTIFICATION NUMBER LOCATION

On or near generator support flange.

ENGINE SERIAL NUMBER LISTING

NOTE 1: Serial numbers listed are from start to finish of engines produced each year.

NOTE 2: Horsepowers listed are DIN BHP.

MODEL YEAR	ENGINE NUMBER	HORSEPOWER
1973	AE0917264 thru AE1000000	48
	AK0000001 thru AK0239364	48
1974	AH0101889 thru AH0500000	48
	AK0239365 thru AK0239493	48
1975	AJ0000001 thru AJ0059664	50
1976	AJ0059665 thru AJ0095936	50
1977	AJ0095936 thru AJ0119687	50
1978	AJ0119688 thru AJ0132850	50
1979	AJ0132851 thru AJ0143096	50
1980	AJ0143097 thru AJ0149567	50

VW WATER COOLED & VANAGON

YEAR MODEL	PRODUCTION DATE	CHASSIS NUMBER	
1974 Dasher	5-73	3242000001	
	7-73	3242011946	
	8-73	3242011947	
	11-73	3242070237	
	12-73	3242119990	
	7-74	3242500000	
1975 Dasher Rabbit	8-74	3252000001	
	5-74	1753001592	
	7-74	1753025867	
	8-74	1753025868	
	Scirocco	2-74	5342000001
		5-74	5342004118
7-74		5342014530	
1976 Dasher Rabbit Scirocco	8-74	5352000001	
	8-75	3262000001	
	8-75	1763000001	
1977 Dasher Rabbit Scirocco	8-75	5362000001	
	8-76	3272000001	
	8-76	1773000001	
1978 Dasher Rabbit Scirocco	7-76	5372000001	
	8-77	3282000001	
	8-77	1783000001	
1979 Dasher Rabbit Diesel Gas Scirocco	8-77	5382000001	
	8-78	3292000001	
	8-78	1793000001	
	5-78	1793750050	
1980 Dasher Jetta Pickup Rabbit Conv Sed Scirocco Vanagon	8-78	5392000001	
	8-79	32A0000001	
	8-79	16A0000001	
	8-79	17A0750001	
	8-79	15A080001	
	8-79	17A0750001	
	8-79	53A0000001	
8-79	24A000001		

IDENTIFICATION

VOLKSWAGEN

VW WATER COOLED & VANAGON (Cont.)

YEAR MODEL	PRODUCTION DATE	CHASSIS NUMBER
1981		
Dasher	8-80	32B900001
Jetta	8-80	16B000001
Pickup	9-80	17B000001
Rabbit		
Conv	8-80	15B000001
Sed	9-80	17B000001
Scirocco	8-80	53B000001
Vanagon	8-80	24B000001
1982		
Jetta	8-81	16C000001
Pickup	9-81	17C000001
Quantum		
Diesel	12-81	32C131890
Gas	8-81	32C000001
Rabbit		
Conv	8-81	15C000001
Sed	9-81	17C000001
Scirocco	8-81	53C000001
Vanagon	8-81	24C000001
1983		
Jetta	8-82	16D000001
Pickup	9-82	17D000001
Quantum	8-82	32D000001
Rabbit		
Conv	8-82	15D000001
Sed	N.A.	17D000001
Scirocco	8-82	53D000001
Vanagon	1-82	24D000001
1984		
Jetta	8-83	16E010001
Quantum	8-83	32E000001
Rabbit		
Conv	8-83	15E000001
Sed	8-83	17E000001
Scirocco	8-83	53E000001
Vanagon	8-83	24E000001
1985		
Cabriolet	8-84	15F000001
Golf	7-84	17F000001
Jetta	8-84	16F000001
Quantum	8-84	32F000001
Scirocco	8-84	53F000001
Vanagon	8-84	24F000001
1986		
Cabriolet	8-85	15G000001
Golf	8-85	17G000001
Jetta	8-85	16G000001
Quantum		
4x2	8-85	32G000001
4x4	8-85	33G000001
Scirocco	8-85	53G000001
Vanagon	8-85	24G000001
1987		
Cabriolet	8-86	15H000001
Fox	8-86	30H000001
Golf	8-86	17H000001
Jetta	8-86	16H000001
Quantum		
4x2	8-86	32H000001
4x4	8-86	33H000001
Scirocco	8-86	53H000001
Vanagon	8-86	24H000001
1988		
Cabriolet	8-87	15J000001
Fox	8-87	30J000001
Golf	8-87	17J000001
Jetta	8-87	16J000001
Quantum		
4x2	8-87	32J000001
4x4	8-87	33J000001
Scirocco	8-87	53J000001
Vanagon	8-87	24J000001

Cont.

IDENTIFICATION

VW WATER COOLED & VANAGON (Cont.)

YEAR MODEL	PRODUCTION DATE	CHASSIS NUMBER
1989		
Cabriolet	8-88	15K000001
Fox	8-88	30K000001
Golf	8-88	17K000001
Jetta	8-88	16K000001
Vanagon	8-88	24K000001
1990		
Cabriolet	8-89	15L000001
Corrado	8-89	50L000001
Fox	8-89	30L000001
Golf	8-89	1GLM000001
Jetta	8-89	1GLW000001
Passat	8-89	31L000001
Vanagon	8-89	24L000001
1991		
Cabriolet	8-90	15M000001
Corrado	8-90	50M000001
Fox	8-90	30M000001
Golf	8-90	1GMM000001
Jetta		
Germany Built	8-90	1GMM000001
Mexico Built	8-90	1GMW000001
Passat	8-90	31M000001
Vanagon	8-90	24M000001
1992		
Cabriolet	8-91	15N000001
Corrado	8-91	50N000001
Fox	8-91	30N000001
Golf	8-91	1HNM000001
Jetta		
Germany Built	8-91	1HNM000001
Mexico Built	8-91	1HNW000001
Passat	8-91	31NE000001
1993		
Cabriolet	8-92	15P000001
Corrado	8-92	50P000001
Eurovan	8-92	70A000001
Fox	2-92	-
Golf (Includes Golf III)	4-92	1HPM000001
Jetta (Includes Jetta III)	4-92	1HPM000001
Passat	8-92	31PE000001
1994		
Corrado	8-93	50R000000
Golf (Includes Golf III)	1-93	1HRM000001
Jetta (Includes Jetta III)	1-93	1HRM000001
Passat	8-93	-
1995		
Cabrio	1-94	1ES000001
EuroVan	7-94	70S000001
Golf	4-94	1HSM000094
GTI	4-94	1HSM000094
Jetta	4-94	1HSM000094
Passat	1-94	3ASB000001
1996		
Cabrio	7-95	1ET000001
EuroVan	7-95	70T000001
Golf	8-95	1HTM000001
GTI	8-95	1HTM000001
Jetta	8-95	1HTM000001
Passat	8-95	3ATB000001
1997		
Cabrio	8-96	1EV800984
Golf	8-96	1HVM000001
GTI	8-96	1HVM000001
Jetta	8-96	1HVM000001
Passat	5-96	3AVE000001
1998		
New Beetle	1-98	9CW000001
Cabrio	8-97	1EW800001
Golf	8-97	1HWM100001
GTI	8-97	1HWM100001
Jetta	8-97	1HWM100001
Passat	9-97	3BWE210001

IDENTIFICATION

VOLKSWAGEN

VW WATER COOLED & VANAGON (Cont.)

YEAR MODEL	PRODUCTION DATE	CHASSIS NUMBER
1999		
Cabrio	3-98	1EX806130
EuroVan	1-98	70X000001
Golf	8-98	1HXM20001
GTI	8-98	1HXM20001
Jetta	8-98	1HXM20001
New Beetle	1-99	1CX060000
Passat	1-98	3BX000001
2000		
Cabrio	8-99	1EY800001
EuroVan	1-2000	7OY135000
Golf	1-2000	1JY660000
GTI	1-2000	1JY660000
Jetta	1-99	9MY012499
New Beetle	1-2000	1CY090000
Passat	1-2000	3BY450000
2001		
Cabrio	6-2000	1V1800001
EuroVan	5-2000	7O1108000
Golf	1-2001	1J1720000
GTI	1-2001	1J1720000
Jetta	9-2000	9M1075840
New Beetle	1-2001	1C1470000
Passat	N.A.	N.A.
2002		
Cabrio	6-2001	1V1800001
EuroVan	5-2001	7O2000001
Golf	7-2001	1J2000001
GTI	7-2001	1J2000001
Jetta	6-2001	9M2000001
New Beetle	6-2001	1C2400000
Passat	5-2001	3B2000001

YEAR & MODEL	ENGINE	ENGINE CODE	FUEL TYPE
2003			
Eurovan	2.8L V-6	AXK	Gas
Golf	1.9L Four	ALH	Diesel
	2.0L Four	AVH	Gas
GTI	2.0L Four	AZG	Gas
	1.8L Four	AWP	Gas
Jetta	2.8L V-6	BDF	Gas
	1.8L Four	AWP	Gas
	1.9L Four	ALH	Diesel
	2.0L Four (Vin K)	AZG	Gas
	2.0L Four (Vin A)	AZG	Gas
New Beetle	2.8L V-6	BDF	Gas
	1.8L Four (Vin E)	AWP	Gas
	1.8L Four (Vin D)	AWV	Gas
	1.9L Four	ALH	Diesel
Passat	2.0L Four	AVH	Gas
	1.8L Four	AWM	Gas
	2.8L V-6	ATQ	Gas
	4.0L W-8	BDP	Gas
2004			
Golf	1.9L Four	ALH	Diesel
	1.9L Four	BEW	Diesel
	2.0L Four	BBW	Gas
	2.0L Four	BEV	Gas
GTI	1.8L Four	AWP	Gas
	2.8L V-6	BDF	Gas
Jetta	1.8L Four	AWP	Gas
	1.8L Four	AWW	Gas
	1.9L Four	ALH	Diesel
	1.9L Four	BEW	Diesel
	2.0L Four	AVH	Gas
	2.0L Four	AZG	Gas
	2.0L Four	BBW	Gas
	2.0L Four	BEV	Gas
2.8L V-6	BDF	Gas	

Cont.

IDENTIFICATION

VW WATER COOLED & VANAGON (Cont.)

YEAR & MODEL	ENGINE	ENGINE CODE	FUEL TYPE	
2004 (Cont.)				
New Beetle	1.8L Four	AWP	Gas	
	1.8L Four	AWV	Gas	
	1.9L Four	ALH	Diesel	
	1.9L Four	BEW	Diesel	
	2.0L Four	AVH	Gas	
	2.0L Four	AZG	Gas	
	2.0L Four	BDC	Gas	
	2.0L Four	BEV	Gas	
	2.0L Four	BGD	Gas	
	Passat	1.8L Four	AWM	Gas
		2.0L Four (VIN E)	BHW	Diesel
	Phaeton	2.8L V-6	ATQ	Gas
		4.2L V-8 (VIN F)	BGH	Gas
6.0L W-12 (VIN H)		BAP	Gas	
R32	3.2L V-6 (VIN G)	BJS	Gas	
Touareg	3.2L V-6	BAA	Gas	
	4.2L V-8	BHX	Gas	
	5.0L V-10	BKW	Diesel	
2005				
Golf	1.9L Four	ALH, BEW	Diesel	
	2.0L Four	BBW, BEV	Gas	
GTI	1.8L Four	AWP	Gas	
	2.8L V-6	BDF	Gas	
Jetta	1.8L Four	AWP, AWW	Gas	
	1.9L Four	ALH, BEW, BRM	Diesel	
	2.0L Four	AVH, AZG, BBW, BEV	Gas	
	2.5L Five	BGP, BGQ	Gas	
New Beetle	1.8L Four	AWV	Gas	
	1.9L Four	ALH, BEW	Diesel	
	2.0L Four	AVH, AZG, BDC, BEV, BGD	Gas	
Passat	1.8L Four	AWV	Gas	
	2.0L Four	BHW	Diesel	
	2.8L V-6	AMX, ATQ	Gas	
Phaeton	4.2L V-8	BGH	Gas	
	6.0L W-12	BAP	Gas	
Touareg	3.2L V-6	BAA, BMX	Gas	
	4.2L V-8	AXQ	Gas	
2006-07				
Eos	2.0L Four	BPY	Gas	
	3.2 L V-6	BUB	Gas	
Golf	1.9L Four	ALH, BEW	Diesel	
	2.0L Four	BBW, BEV	Gas	
GTI	1.8L Four	AWP	Gas	
	2.0L Four	BPY	Gas	
Jetta	1.9L Four	BRM	Diesel	
	2.0L Four	BPY	Gas	
	2.5L Five	BGP, BGQ	Gas	
New Beetle	1.9L Four	ALH, BEW	Diesel	
	2.5L Five	BGP, BGQ	Gas	
Passat	2.0L Four	BPY	Gas	
	3.6L V-6	BLV	Gas	
Phaeton	4.2L V-8	BGH	Gas	
	6.0L W-12	BAP	Gas	
Rabbit	2.5L Five	BGP, BGQ	Gas	
Touareg	3.2L V-6	BAA, BMX	Gas	
	3.6L V-6	BHL	Gas	
	4.2L V-8	AXQ	Gas	

IDENTIFICATION

VOLKSWAGEN

VW WATER COOLED & VANAGON (Cont.)

ENGINE IDENTIFICATION CODES

NOTE: Codes listed are first characters of engine serial number.

AAA....Corrado, Jetta, Passat 1992-99 2.8 Litre V6 E.F.I. 178HP GTI 1995-99 2.8 Litre V6 E.F.I. 178HP	Pickup 81-83 4-105 (1715cc) 1.7 Litre F.I. 74HP Rabbit (Conv) 81-84 4-97 (1715cc) 1.7 Litre F.I. 77HP Rabbit (Sed) 81-83 4-105 (1715cc) 1.7 Litre F.I. 74HP	PF....Golf 88-90 4-109 (1800cc) 1.8 Litre E.F.I. 105HP Jetta 87-92 4-109 (1800cc) 1.8 Litre E.F.I. 105HP
AAF....Eurovan 1993, 1995-96 2.5 Litre 5 Cyl	EO.....Dasher 75 4-89 (1457cc) 1.5 Litre 2BC 75HP	PG...Corrado 90-93 (1800cc) 1.8 Litre E.F.I.
ABA....Cabrio 95-99 (1,984cc) 2.0 Litre 115HP Golf 93-95-99 (1,984cc) 2.0 Litre 115HP Jetta 93-99 (1,984cc) 2.0 Litre 115HP Passat 1996 (1,984cc) 2.0 Litre 115HP	ET....Dasher 76-78 4-89 (1457cc) 1.5 Litre F.I. 75HP FC...Rabbit 74-75 4-89 (1457cc) 1.5 Litre 2BC 70HP Scirocco 74-75 4-89 (1457cc) 1.5 Litre 2BC 70HP	PL....Golf GTI 87-89 4-109 (1781cc) 1.8 Litre E.F.I. 123HP (16 Valves) Jetta 88-89 4-109 (1781cc) 1.8 Litre E.F.I. 123HP (16 Valves) Scirocco 86-88 4-109 (1781cc) 1.8 Litre E.F.I. 123 HP (16 Valves)
ABG...Fox 91-93 1.8 Litre E.F.I. 83HP	FG...Rabbit 74-75 4-89 (1457cc) 1.5 Litre 2BC 70HP Scirocco 74-75 4-89 (1457cc) 1.5 Litre 2BC 70HP	RD...Golf GTI 86-87 4-109 (1800cc) 1.8 Litre E.F.I. 105HP Jetta GLI 86-87 4-109 (1800cc) 1.8 Litre E.F.I. 105HP
AEB....Passat 98-99 Four (1781cc) 1.8 Litre	FN...Rabbit 76 4-89 (1457cc) 1.5 Litre F.I. 70HP Scirocco 76 4-89 (1457cc) 1.5 Litre F.I. 70HP	RV...Golf 88-89 4-109 (1800cc) 1.8 Litre E.F.I. 100HP Jetta 88-93 4-109 (1800cc) 1.8 Litre E.F.I. 100HP
AEG...Beetle 98-99 Four (1984cc) 2.0 Litre 115HP	FX....Pickup 80 4-97 (1588cc) 1.6 Litre F.I. 76HP Rabbit 80 4-97 (1588cc) 1.6 Litre F.I. 76HP	UM...Fox 87-89 4-109 (1800cc) 1.8 Litre E.F.I. 105HP
AHA...Passat 98-99 V6 2.8 Litre	GX...Golf 85-87 4-109 (1800cc) 1.8 Litre E.F.I. 85HP Jetta 85-87 4-109 (1800cc) 1.8 Litre E.F.I. 85HP	WE...Quantum 83 5-131 (2200cc) 2.2 Litre F.I. 100HP
AHH...Passat 98-99 Four 1.9 Litre Diesel	HT...Golf GTI 85-86 4-109 (1800cc) 1.8 Litre E.F.I. 100HP Jetta GLI 85 4-109 (1800cc) 1.8 Litre E.F.I. 105HP	WT...Quantum 82-83 4-105 (1715cc) 1.7 Litre F.I. 74HP
AHU...Golf 99 Four (1896cc) 1.9 Litre Diesel 90HP	JF....Rabbit 82-84 4-97 (1715cc) 1.7 Litre 2BC 65HP	XH...Dasher 76 4-89 (1457cc) 1.5 Litre F.I. 75HP
AHU...Jetta 98-99 Four (1896cc) 1.9 Litre Diesel 90HP	JH....Cabriolet 85-87 4-109 (1800cc) 1.8 Litre E.F.I. 95HP Pickup 83 4-105 (1700cc) 1.7 Litre Rabbit 83-84 4-109 (1800cc) 1.8 Litre F.I. 90HP Jetta 84 4-109 (1800cc) 1.8 Litre Scirocco 84-88 4-109 (1800cc) 1.8 Litre E.F.I. 95HP	XK...Dasher 77-78 4-89 (1457cc) 1.5 Litre F.I. 78HP
ALH....Beetle 98-99 Four 1.9 Litre Diesel 90HP	JK....Jetta 83-84 4-97 (1600cc) 1.6 Litre F.I. 68HP Pickup 83 4-97 (1600cc) 1.6 Litre F.I. 52HP Rabbit 83-84 4-97 (1600cc) 1.6 Litre F.I. 52HP	XR...Dasher 75 4-89 (1457cc) 1.5 Litre 2BC 75HP
CK.....Dasher 79-80 4-97 (1588cc) 1.6 Litre Diesel F.I. 48HP Jetta 80 4-105 (1588cc) 1.6 Litre Diesel F.I. 76HP Pickup 80 4-97 (1588cc) 1.6 Litre Diesel F.I. 76HP Rabbit 77-80 4-97 (1588cc) 1.6 Litre Diesel F.I. 48HP	JN....Quantum 84-85 4-109 (1800cc) 1.8 Litre E.F.I. 90HP Fox 87-90 4-109 (1800cc) 1.8 Litre E.F.I. 90HP	XS...Dasher 75 4-89 (1457cc) 1.5 Litre 2BC 75HP
CR.....Dasher 81 4-97 (1588cc) 1.6 Litre Diesel F.I. 48HP Jetta 81-82 4-105 (1588cc) 1.6 Litre Diesel F.I. 76HP Pickup 81-82 4-97 (1588cc) 1.6 Litre Diesel F.I. 76HP Rabbit 81-82 4-97 (1588cc) 1.6 Litre Diesel F.I. 48HP	JT....Quantum (Syncro) 86-88 5-140 (2300cc) 2.3 Litre E.F.I. 115HP	XV...Dasher 74 4-89 (1457cc) 1.5 Litre 2BC 75HP
CS.....Vanagon 83 Diesel 50HP	KM...Quantum 84 5-131 (2200cc) 2.2 Litre F.I. 100HP	XW...Dasher 74 4-89 (1457cc) 1.5 Litre 2BC 75HP
CY.....Jetta 83-84 4-97 (1588cc) 1.6 Litre Turbo Diesel F.I. 68HP Quantum 82-84 4-97 (1588cc) 1.6 Litre Turbo-Diesel F.I. 68HP Rabbit 83-84 4-97 (1588cc) 1.6 Litre Turbo Diesel	KX...Quantum 85-88 5-140 (2300cc) 2.3 Litre E.F.I. 115HP	XY...Dasher 74 4-89 (1457cc) 1.5 Litre 2BC 75HP
DH.....Vanagon 84-85 (2000cc) 2.0 Litre 70HP	MD...Quantum 85 4-97 (1600cc) 1.6 Litre Turbodiesel 70HP	XZ....Dasher 74 4-89 (1457cc) 1.5 Litre 2BC 75HP
EE.....Rabbit 76-77 4-97 (1588cc) 1.6 Litre F.I. 48HP Scirocco 76-77 4-89 (1457cc) 1.5 Litre F.I. 70HP	ME...Golf 85-87 4-97 (1588cc) 1.6 Litre Diesel 52HP Jetta 85-87 4-97 (1588cc) 1.6 Litre Diesel 52HP	YG...Dasher 75 4-89 (1457cc) 1.5 Litre 2BC 75HP Dasher 77-80 4-89 (1457cc) 1.5 Litre F.I. 78HP
EH.....Rabbit 78-79 4-89 (1457cc) 1.5 Litre F.I. 70HP Scirocco 78-79 4-89 (1457cc) 1.5 Litre F.I. 70HP	MF...Jetta 85-87 4-97 (1588cc) 1.6 Litre Turbodiesel 70HP	YH...Dasher 75 4-89 (1457cc) 1.5 Litre 2BC 75HP Dasher 77-80 4-89 (1457cc) 1.5 Litre F.I. 78HP
EJ.....Jetta 80 4-105 (1588cc) 1.6 Litre F.I. 76HP Rabbit 78-80 4-89 (1457cc) 1.5 Litre F.I. 70HP Scirocco 78-80 4-97 (1715cc) 1.7 Litre F.I. 78HP	MV...Vanagon 86-91 (2100cc) 2.1 Litre 95HP	YK...Dasher 77-80 4-89 (1457cc) 1.5 Litre 2BC 75HP
EN.....Dasher 74 4-89 (1457cc) 1.5 Litre 2BC 75HP Jetta 81-84 4-97 (1715cc) 1.7 Litre F.I. 77HP		ZS....Dasher 74 4-89 (1457cc) 1.5 Litre 2BC 75HP
		ZW...Dasher 74 4-89 (1457cc) 1.5 Litre 2BC 75HP
		1Z....Golf 1996-97 1.5 Litre Diesel 115HP Jetta 1996-97 1.9 Litre Diesel 115HP Passat 1996-97 1.9 Litre Diesel 115 HP
		2H....Cabriolet 90-93 (1800cc) 1.8 Litre
		9A....Golf GTI 90-92 (2000cc) 2.0 Litre 134HP Jetta 90-92 (2000cc) 2.0 Litre 134HP Passat 90-93 (2000cc) 2.0 Litre 134HP

IDENTIFICATION

IDENTIFICATION NUMBER OR PLATE LOCATION

1973-80

Identification number plate is located on the left firewall for the 140, 160 and 180 series and on the right front fender well for the 240 and 260.

1981-2007

Identification number is located on the upper left corner of the instrument panel, visible through windshield.

CHASSIS IDENTIFICATION CODES

YEAR & MODEL	BODY STYLE	CHASSIS NUMBER
1973		
140 Series		
142 Model	2 Dr Sed	323401 thru 393949
144 Model	4 Dr Sed	340101 thru 427999
145 Model	S/W	153731 thru 210049
160 Series	4 Dr Sed	74450 thru 102949
180 Series	3 Dr	3070 & Up
1974		
140 Series		
142 Model	2 Dr Sed	393950 & Up
144 Model	4 Dr Sed	428000 & Up
145 Model	S/W	210050 & Up
160 Series	4 Dr Sed	102950 thru 132566
1975		
160 Series	4 Dr Sed	132567 thru 153179
240 Series		
242 Model	2 Dr Sed	Thru 53864
244 Model	4 Dr Sed	Thru 82979
245 Model	S/W	Thru 54709
1976		
240 Series		
242 Model	2 Dr Sed	53865 thru 99679
244 Model	4 Dr Sed	82980 thru 174909
245 Model	S/W	54710 thru 115349
260 Series		
262 Model	2 Dr Cpe	Thru 2429
264 Model	4 Dr Sed	Thru 34469
265 Model	S/W	Thru 8114
1977		
240 Series		
242 Model	2 Dr Sed	99680 thru 122894
244 Model	4 Dr Sed	174910 thru 274964
245 Model	S/W	115350 thru 163834
260 Series		
262 Model	2 Dr Cpe	2430 thru 2659
264 Model	4 Dr Sed	34470 thru 46514
265 Model	S/W	8115 thru 10919
1978		
240 Series		
242 Model	2 Dr Sed	122895 thru 142124
244 Model	4 Dr Sed	274965 thru 364649
245 Model	S/W	163835 thru 211324
260 Series		
262 Model	2 Dr Cpe	2660 thru 4329
264 Model	4 Dr Sed	46515 thru 62104
265 Model	S/W	10920 thru 15734
1979		
240 Series		
242 Model	2 Dr Sed	142125 thru 165569
244 Model	4 Dr Sed	364650 thru 482504
245 Model	S/W	211325 thru 264754
260 Series		
262 Model	2 Dr Cpe	4330 thru 6449
264 Model	4 Dr Sed	62105 thru 83054
265 Model	S/W	15735 thru 21774

IDENTIFICATION

CHASSIS IDENTIFICATION CODES (Cont.)

YEAR & MODEL	BODY STYLE	CHASSIS NUMBER
1980		
240 Series		
242 Model (DL,GT)	2 Dr Sed	165570 thru 189179
244 Model (DL,GL)	4 Dr Sed	482505 thru 492109
245 Model (DL)	S/W	264755 thru 317939
260 Series		
262 Model (Bertone)	2 Dr Cpe	6450 thru 8374
264 Model (GLE)	4 Dr Sed	83055 thru 107609
265 Model (GLE)	S/W	21775 thru 28319
1981		
240 Series		
242 Model (DL,GL,GLT)	2 Dr Sed	189180 thru 206790
244 Model (DL,GL)	4 Dr Sed	592110 thru 686099
245 Model (DL,GLT)	S/W	317940 thru 368309
260 Series		
262 Model (Bertone)	2 Dr Cpe	8375 & Up
264 Model (GLE)	4 Dr Sed	107610 thru 125109
265 Model (GLE)	S/W	28320 thru 30679
1982		
240 Series		
242 Model (DL,GLT)	2 Dr Sed	206791 thru 223939
244 Model (DL,GL,GLT)	4 Dr Sed	686100 thru 812609
245 Model (DL,GL,GLT)	S/W	368310 thru 434459
260 Series		
264 Model (GLE)	4 Dr Sed	125110 thru 131509
265 Model (GLE)	S/W	30680 thru 33009
1983		
240 Series		
242 Model (DL,Turbo)	2 Dr Sed	223940 thru 237369
244 Model (DL,GL,Turbo)	4 Dr Sed	812610 thru 939339
245 Model (DL,GL,Turbo)	S/W	434460 thru 506269
760 Series (GLE)	4 Dr Sed	3800 thru 33719
1984		
240 Series		
242 Model (DL,Turbo)	2 Dr Sed	237370 thru 72449
244 Model (DL,GL,Turbo)	4 Dr Sed	939340 thru 999999, 1 thru 72449
245 Model (DL,GL,Turbo)	S/W	506270 thru 591999, 592215 thru 592283
760 Series (GLE)	4 Dr Sed	33720-81679
1985		
240 Series		
244 Model (DL,GL,Turbo)	4 Dr Sed	72450 thru 145709
245 Model (DL,GL,Turbo)	S/W	592000 thru 592214, 592284 thru 660379
740,760 Series (GLE,Turbo)	4 Dr Sed S/W	81680 & Up 1 & Up
1986		
240 Series		
244 Model (DL,GL)	4 Dr Sed	145710 & Up
245 Model (DL,GL)	S/W	660380 & Up
740, 760 Series		
744,764 Models (GLE,Turbo)	4 Dr Sed	1 & Up
745 Model (GLE,Turbo)	S/W	6970 & Up
765 Model (GLE,Turbo)	S/W	1000 & Up
1987		
240 Series		
244 Model (DL,GL)	4 Dr Sed	215300 & Up
245 Model (DL,GL)	S/W	718700 & Up
740, 760, 780 Series		
744 Model (GLE,Turbo)	4 Dr Sed	90200 & Up
745 Model (GLE,Turbo)	S/W	62100 & Up
764 Model (GLE,Turbo)	4 Dr Sed	17000 & Up
765 Model (GLE,Turbo)	S/W	8500 & Up
782 Model	Cpe	1200 & Up

IDENTIFICATION

CHASSIS IDENTIFICATION CODES (Cont.)

YEAR & MODEL	BODY STYLE	CHASSIS NUMBER
1988		
240 Series		
244 Model (DL,GL)	4 Dr Sed	278400 & Up
245 Model (DL,GL)	S/W	766600 & Up
740, 760, 780 Series		
744 Model (GLE,Turbo)	4 Dr Sed	190700 & Up
745 Model (GLE,Turbo)	S/W	116100 & Up
764 Model (GLE,Turbo)	4 Dr Sed	37400 & Up
765 Model (GLE,Turbo)	S/W	16300 & Up
782 Model	Cpe	3300 & Up
1989		
240 Series		
244 Model (DL,GL)	4 Dr Sed	334100 & Up
245 Model (DL,GL)	S/W	809000 & Up
740, 760, 780 Series		
744 Model (GLE,Turbo)	4 Dr Sed	294100 & Up
745 Model (GLE,Turbo)	S/W	176800 & Up
764 Model (GLE,Turbo)	4 Dr Sed	58500 & Up
765 Model (GLE,Turbo)	S/W	23500 & Up
782 Model	Cpe	6500 & Up
1990		
240 Series		
244 Model (DL)	4 Dr Sed	386700 & Up
245 Model (DL)	S/W	846100 & Up
740, 760, 780 Series		
744 Model (GL,GLE,Turbo)	4 Dr Sed	397000 & Up
745 Model (GL,GLE,Turbo)	S/W	242700 & Up
764 Model (GLE,Turbo)	4 Dr Sed	76900 & Up
765 Model (GLE,Turbo)	S/W	31200 & Up
782 Model (GLE,Turbo)	Cpe	9000 & Up
1991		
Coupe	Cpe	11300 & Up
240 Series		
244 Model (S,SE)	4 Dr Sed	429800 & Up
245 Model (S,SE)	S/W	883200 & Up
740 Series		
744 Model (S,SE,Turbo)	4 Dr Sed	499200 & Up
745 Model (S,SE,Turbo)	S/W	316300 & Up
940 Series		
944 Model (SLE,SE,Turbo)	4 Dr Sed	100000 & Up
945 Model (GLE,SE,Turbo)	S/W	100000 & Up
1992		
240 Series		
244 Model	4 Dr Sed	457500 & Up
245 Model	S/W	910500 & Up
740 Series		
744 Model	4 Dr Sed	531000 & Up
745 Model	S/W	342700 & Up
940 Series		
944 Model	4 Dr Sed	52900 & Up
945 Model	S/W	28000 & Up
960 Series		
964 Model	4 Dr Sed	14900 & Up
965 Model	S/W	4700 & Up
1993		
240 Series		
	4 Dr Sed	478400 & Up
	4 Dr S/W	939100 & Up
850 Series	4 Dr Sed	27726 & Up
940 Series	4 Dr Sed	103400 & Up
	4 Dr S/W	58050 & Up
960 Series	4 Dr Sed	27100 & Up
	4 Dr S/W	10000 & Up
1994		
850 Series		
	4 Dr Sed	100400 & Up
	5 Dr S/W	11800 & Up
940 Series	4 Dr Sed	145700 & Up
	5 Dr S/W	93400 & Up
960 Series	4 Dr Sed	36600 & Up
	5 Dr S/W	14700 & Up

Cont.

IDENTIFICATION

CHASSIS IDENTIFICATION CODES (Cont.)

YEAR & MODEL	BODY STYLE	CHASSIS NUMBER
1995		
850 Series	4 Dr Sed	175000 & Up
	5 Dr S/W	78000 & Up
940 Series	4 Dr Sed	190300 & Up
	5 Dr S/W	132400 & Up
960 Series	4 Dr Sed	48300 & Up
	5 Dr S/W	18100 & Up
1996		
850 Series	4 Dr Sed	267000 & Up
	5 Dr S/W	171000 & Up
960 Series	4 Dr Sed	76200 & Up
	5 Dr S/W	28100 & Up
1997		
850 Series	4 Dr Sed	355000 & Up
	5 Dr S/W	275000 & Up
960 Series	4 Dr Sed	104505 & Up
	5 Dr S/W	38900 & Up
1998		
C70	2 Dr Cpe	N.A.
S70	4 Dr Sed	N.A.
V70	5 Dr S/W	N.A.
S90	4 Dr Sed	N.A.
V90	5 Dr S/W	N.A.
1999		
C70	2 Dr Cpe/Conv	N.A.
S70	4 Dr Sed	N.A.
V70	5 Dr S/W	N.A.
S80	4 Dr Sed	N.A.
2000-2001		
C70	2 Dr Cpe/Conv	N.A.
S40	4 Dr Sed	N.A.
S70	4 Dr Sed	N.A.
S80	4 Dr Sed	N.A.
V40	4 Dr S/W	N.A.
V70, S60	4 Dr S/W	N.A.
2002		
C70	2 Dr Cpe/Conv	N.A.
S40	4 Dr Sed	N.A.
S60	4 Dr Sed	N.A.
S80	4 Dr Sed	N.A.
V40	4 Dr S/W	N.A.
V70	4 Dr S/W	N.A.
2003-2004		
C70	2 Dr Conv	N.A.
S40	4 Dr Sed	N.A.
S60	4 Dr Sed	N.A.
S80	4 Dr Sed	N.A.
V40	4 Dr S/W	N.A.
V70	4 Dr S/W	N.A.
XC70	4 Dr S/W	N.A.
XC90	4 Dr Util Wagon	N.A.
2005		
S40	4 Dr Sed	N.A.
S60	4 Dr Sed	N.A.
S80	4 Dr Sed	N.A.
V50	4 Dr S/W	N.A.
V70	4 Dr S/W	N.A.
XC70	4 Dr S/W	N.A.
XC90	4 Dr Util Wagon	N.A.
2006-07		
C70	2 Dr Conv	N.A.
S40	4 Dr Sed	N.A.
S60	4 Dr Sed	N.A.
S80	4 Dr Sed	N.A.
V50	4 Dr Wagon	N.A.
V70	4 Dr Wagon	N.A.
XC70	4 Dr Wagon	N.A.
XC90	4 Dr Util Wagon	N.A.

IDENTIFICATION

MODEL REFERENCE			
YEAR & MODEL	ENGINE	DISPLACEMENT	TRANSMISSION
1973			
140 Series	Four-B20F	121 C.I. (2000cc)	3 Spd Auto (BW35) 4 Spd Std (M40, M41)
160 Series	Six-B30F	182 C.I. (2980cc)	3 Spd Auto (BW35) 4 Spd Std (M400, M410)
180 Series	Four-B20F	121 C.I. (2000cc)	3 Spd Auto (BW35) 4 Spd Std (M41, M410)
1974			
140 Series	Four-B20F	121 C.I. (2000cc)	3 Spd Auto (BW35) 4 Spd Std (M40, M41)
160 Series	Six (Inline)-B30F	182 C.I. (2980cc)	3 Spd Auto (BW35) 4 Spd Std (M400, M410)
1975			
160 Series	Six (Inline)-B30F	182 C.I. (2980cc)	3 Spd Auto (BW35) 4 Spd Std (M400, M410)
240 Series	Four-B20F	121 C.I. (2000cc)	3 Spd Auto (BW35) 4 Spd Std (M40, M41)
1976-79			
240 Series	Four-B21F	130 C.I. (2127cc)	3 Spd Auto (AW55, BW55) 4 Spd Std (M45, M46)
260 Series	V6-B27F	163 C.I. (2673cc)	3 Spd Auto (BW55) 4 Spd Std (M46)
1980			
240 Series	Four-B21F	130 C.I. (2127cc)	3 Spd Auto (AW55, BW55) 4 Spd Std (M45, M46)
	Six Diesel-D24	145 C.I. (2383cc)	3 Spd Auto (BW55) 4 Spd Std (M46)
260 Series	V6 Gas-B28F	163 C.I. (2673cc)	3 Spd Auto (BW55) 4 Spd Std (M45, M46)
1981			
240 Series	Four-B21F	130 C.I. (2127cc)	3 Spd Auto (AW55, BW55) 4 Spd Std (M45, M46)
	Four-B21F (Turbo)	130 C.I. (2127cc)	4 Spd Std (M45, M46)
	Six Diesel-D24	145 C.I. (2383cc)	3 Spd Auto (BW55) 4 Spd Std (M46)
260 Series	V6 Gas-B28F	163 C.I. (2673cc)	3 Spd Auto (BW55) 4 Spd Std (M45, M46)
1982			
240 Series	Four-B21F	130 C.I. (2127cc)	4 Spd Auto w/Overdrive (AW70) 4 Spd Std w/Overdrive (M46)
	Four-B21F (Turbo)	130 C.I. (2127cc)	4 Spd Auto w/Overdrive (AW71) 4 Spd Std w/Overdrive (M46)
	Six Diesel-D24	145 C.I. (2383cc)	3 Spd Auto (BW55) 4 Spd Std w/Overdrive (M46)
260 Series	V6 Gas-B28F	163 C.I. (2673cc)	3 Spd Auto (BW55)
1983			
240 Series	Four-B23F	141 C.I. (2310cc)	4 Spd Auto w/Overdrive (AW70) 4 Spd Std w/Overdrive (M46)
	Four-B21F (Turbo)	130 C.I. (2127cc)	4 Spd Auto w/Overdrive (AW71) 4 Spd Std w/Overdrive (M46)
	Six Diesel-D24	145 C.I. (2383cc)	3 Spd Auto (BW55) 4 Spd Std w/Overdrive (M46)
760 Series	V6 Gas-B28F Six Diesel-D24T (Turbo)	163 C.I. (2673cc) 145 C.I. (2383cc)	4 Spd Auto w/Overdrive (AW71) 4 Spd Std w/Overdrive (M46)
1984			
240 Series	Four-B23F-LH	141 C.I. (2310cc)	4 Spd Std w/Overdrive (M46) 4 Spd Auto w/Overdrive (AW70)
	Four-B21FT (Turbo)	130 C.I. (2127cc)	4 Spd Std w/Overdrive (M46) 4 Spd Auto w/Overdrive (AW71)
	Six Diesel-D24	145 C.I. (2383cc)	4 Spd Std w/Overdrive (M46) 3 Spd Auto (BW55)
760 Series	V6 Gas B28F Four-B23FT (Turbo)	163 C.I. (2849cc) 141 C.I. (2310cc)	4 Spd Auto w/Overdrive (AW71) 4 Spd Std w/Overdrive (M46)
	Six Diesel-D24T (Turbo)	145 C.I. (2383cc)	4 Spd Auto w/Overdrive (M71) 4 Spd Std w/Overdrive (M46) 3 Spd Auto (BW55)

IDENTIFICATION

MODEL REFERENCE (Cont.)

YEAR & MODEL	ENGINE	DISPLACEMENT	TRANSMISSION
1985			
240 Series	Four-B230F-LH	141 C.I. (2315cc)	4 Spd Std w/Overdrive (M46) 4 Spd Auto w/Overdrive (AW70)
	Four-B21FT (Turbo)	130 C.I. (2127cc)	4 Spd Std w/Overdrive ((M46) 4 Spd Auto w/Overdrive (AW71)
740 Series	Four-B230F-LH	141 C.I. (2315cc)	4 Spd Std w/Overdrive (M46) 4 Spd Auto (ZF22)
	Four-B230FT (Turbo)	141 C.I. (2315cc)	4 Spd Std w/Overdrive (M46) 4 Spd Auto w/Overdrive (AW71)
	Six-D24T (Turbo)	145 C.I. (2383cc)	4 Spd Std w/Overdrive (M46) 4 Spd Auto (ZF22)
760 Series	Four-B230FT (Turbo)	141 C.I. (2315cc)	4 Spd Std w/Overdrive (M46) 4 Spd Auto w/Overdrive (AW71)
	Six-D24T (Turbo)	145 C.I. (2383cc)	4 Spd Std w/Overdrive (M46) 4 Spd Auto (ZF22)
	V6 Gas-B28F	163 C.I. (2849cc)	4 Spd Auto w/Overdrive (AW71)
1986			
240 Series	Four-B230F-LH	141 C.I. (2315cc)	4 Spd Std w/Overdrive (M46) 4 Spd Auto w/Overdrive (AW70)
740 Series	Four-B230F-LH	141 C.I. (2315cc)	4 Spd Std w/Overdrive (M46) 4 Spd Auto (ZF22)
	Four-B230FT (Turbo)	141 C.I. (2315cc)	4 Spd Std w/Overdrive (M46) 4 Spd Auto w/Overdrive (AW71)
	Six-D24T (Turbo)	145 C.I. (2383cc)	4 Spd Std w/Overdrive (M46) 4 Spd Auto (ZF22)
760 Series	Four-B230FT (Turbo)	141 C.I. (2315cc)	4 Spd Std w/Overdrive (M46) 4 Spd Auto w/Overdrive (AW71)
	Six-D24T (Turbo)	145 C.I. (2383cc)	4 Spd Std w/Overdrive (M46) 4 Spd Auto (ZF22)
	V6 Gas-B28F	163 C.I. (2849cc)	4 Spd Auto w/Overdrive (AW71)
1987			
240 Series	Four-B230F-LH	141 C.I. (2315cc)	5 Spd Std (M47) 4 Spd Auto w/Overdrive (AW70)
740 Series	Four-B230F-LH	141 C.I. (2315cc)	4 Spd Std w/Overdrive (M46) 4 Spd Auto (AW70L) 4 Spd Auto (ZF22)
	Four-B230FT (Turbo)	141 C.I. (2315cc)	4 Spd Std w/Overdrive (M46) 4 Spd Auto w/Overdrive (AW71)
760 Series	Four-B230FT (Turbo)	141 C.I. (2315cc)	4 Spd Std w/Overdrive (M46) 4 Spd Auto w/Overdrive (AW71)
	V6-B280F	174 C.I. (2850cc)	4 Spd Auto w/Overdrive (AW71)
780 Series	V6-B280F	174 C.I. (2850cc)	4 Spd Auto w/Overdrive (AW71)
1988			
240 Series	Four-B230F-LH	141 C.I. (2315cc)	5 Spd Std (M47) 4 Spd Auto w/Overdrive (AW70)
740 Series	Four-B230F-LH	141 C.I. (2315cc)	5 Spd Std (M47) 4 Spd Auto w/Overdrive (AW70L) 4 Spd Auto w/Overdrive (ZF22)
	Four-B230FT (Turbo)	141 C.I. (2315cc)	4 Spd Std w/Overdrive (M46) 4 Spd Auto w/Overdrive (AW71)
760 Series	Four-B230FT (Turbo)	141 C.I. (2315cc)	4 Spd Auto w/Overdrive (AW71)
	V6-B280F	174 C.I. (2850cc)	4 Spd Auto w/Overdrive (AW71)
780 Series	V6-B280F	174 C.I. (2850cc)	4 Spd Auto w/Overdrive (AW71)
1989			
240 Series	Four-B230F-LH	141 C.I. (2315cc)	5 Spd Std (M47) 4 Spd Auto w/Overdrive (AW70,71)
740 Series	Four-B230F-LH	141 C.I. (2315cc)	5 Spd Std (M47) 4 Spd Auto w/Overdrive (AW70) 4 Spd Auto w/Overdrive (ZF22)
	Four-B230FT (Turbo)	141 C.I. (2315cc)	4 Spd Std w/Overdrive (M46) 4 Spd Auto w/Overdrive (AW71)
	Four-B234F	141 C.I. (2315cc)	5 Spd Std (M47) 4 Spd Auto w/Overdrive (AW70,71,72)
760 Series	Four-B230FT (Turbo)	141 C.I. (2315cc)	4 Spd Auto w/Overdrive (ZF22) 4 Spd Auto w/Overdrive (AW71)
	V6-B280F	174 C.I. (2850cc)	4 Spd Auto w/Overdrive (AW71)
780 Series	Four-B230FT (Turbo)	141 C.I. (2315cc)	4 Spd Auto w/Overdrive (AW71)
	V6-B280F	174 C.I. (2850cc)	4 Spd Auto w/Overdrive (AW71)

Cont.

IDENTIFICATION

MODEL REFERENCE (Cont.)

YEAR & MODEL	ENGINE	DISPLACEMENT	TRANSMISSION
1990			
240 Series	Four-B230F	141 C.I. (2315cc)	5 Spd Std (M47) 4 Spd Auto w/Overdrive (AW70)
740 Series	Four-B230F	141 C.I. (2315cc)	5 Spd Std (M47) 4 Spd Auto w/Overdrive (AW70L)
	Four-B230FT (Turbo)	141 C.I. (2315cc)	5 Spd Std (M46) 4 Spd Auto w/Overdrive (AW71)
	Four-B234F	141 C.I. (2315cc)	5 Spd Std (M46) 4 Spd Auto w/Overdrive (AW72L)
760 Series	Four-B230FT (Turbo)	141 C.I. (2315cc)	4 Spd Auto w/Overdrive (AW71)
	V6-B280F	174 C.I. (2850cc)	4 Spd Auto w/Overdrive (AW71)
780 Series	Four-B230FT (Turbo)	141 C.I. (2315cc)	4 Spd Auto w/Overdrive (AW71)
	V6-B280F	174 C.I. (2315cc)	4 Spd Auto w/Overdrive (AW71)
1991			
Coupe	Four-B230FT (Turbo)	141 C.I. (2315cc)	4 Spd Auto w/Overdrive (AW70)
240 Series	Four-B230F	141 C.I. (2315cc)	5 Spd Std (M47) 4 Spd Auto w/Overdrive (AW70)
	Four-B230F	141 C.I. (2315cc)	5 Spd Std (M47) 4 Spd Auto w/Overdrive (AW70L)
740 Series	Four-B230F	141 C.I. (2315cc)	5 Spd Std (M47) 4 Spd Auto w/Overdrive (AW70L)
	Four-B230FT (Turbo)	141 C.I. (2315cc)	5 Spd Std (M46) 4 Spd Auto w/Overdrive (AW71)
940 Series	Four-B234F	141 C.I. (2315cc)	4 Spd Auto w/Overdrive (AW72L)
	Four-B230FT (Turbo)	141 C.I. (2315cc)	4 Spd Auto w/Overdrive (AW71)
1992			
240 Series	Four-B230F	141 C.I. (2315cc)	4 Spd Auto w/Overdrive (AW70) 5 Spd Std (M47)
740 Series	Four-B230F	141 C.I. (2315cc)	4 Spd Auto w/Overdrive (AW70L)
	Four-B230FT (Turbo)	141 C.I. (2315cc)	4 Spd Auto w/Overdrive (AW71L)
940 Series	Four-B230F	141 C.I. (2315cc)	4 Spd Auto w/Overdrive (AW70L)
960 Series	Four-B230FT (Turbo)	141 C.I. (2315cc)	4 Spd Auto w/Overdrive (AW71L)
	Six-B6304	178 C.I. (2922cc)	4 Spd Auto w/Overdrive, Elec Cont (AW40)
1993			
240 Series	Four-B230F	141 C.I. (2315cc)	4 Spd Auto (AW70) 5 Spd Std (M47)
850 Series	Five-B5254FS	149 C.I. (2435cc)	4 Spd Auto (AW42) 5 Spd Std (M56)
940 Series	Four-B230F	141 C.I. (2315cc)	4 Spd Auto (AW71)
	Four-B230FT (Turbo)	141 C.I. (2315cc)	4 Spd Auto (AW71)
960 Series	Six-B6304FS	178 C.I. (2922cc)	4 Spd Auto (AW40)
1994-95			
850 Series	Five-B5254FS	149 C.I. (2435cc)	5 Spd Auto (AW42)
	Five B5234FT (Turbo)	149 C.I. (2435cc)	5 Spd Std (M56)
940 Series	Four-B230F	141 C.I. (2315cc)	4 Spd Auto (AW71)
960 Series	Four-B230FT (Turbo)	141 C.I. (2315cc)	4 Spd Auto (AW71)
	Six-B6304FS	178 C.I. (2922cc)	4 Spd Auto (AW40)
1996-97			
850 Series	Five-B5254FS	149 C.I. (2435cc)	5 Spd Auto (AW42)
	Five B5234FT (Turbo)	149 C.I. (2435cc)	5 Spd Std (M56)
960 Series	Six-B6304FS	178 C.I. (2922cc)	4 Spd Auto (AW40)
1998-99			
C70	Five B5254T (Turbo)	149 C.I. (2435cc)	4 Spd Auto (AW42LE) 5 Spd Std (M56)
S70	Five-B5254S	149 C.I. (2435cc)	4 Spd Auto (AW42LE) 5 Spd Std (M56)
	Five-B5254T (Turbo)	149 C.I. (2435cc)	4 Spd Auto (AW42LE) 5 Spd Std (M56)
V70	Five-B5254S	149 C.I. (2435cc)	4 Spd Auto (AW42LE) 5 Spd Std (M56)
	Five-B5254T (Turbo)	149 C.I. (2435cc)	4 Spd Auto AWD (AW42LE AWD) FWD (AW42LE)
S80	Six-B6284T (Turbo)	178 C.I. (2922cc)	5 Spd Std (M56)
S90	Six-B6304S	170 C.I. (2800cc)	4 Spd Auto (4T65EV-GT)
	Six-B6304FS	178 C.I. (2922cc)	4 Spd Auto (4T65EV)
V90	Six-B6304FS	178 C.I. (2922cc)	4 Spd Auto (AW43LE)
	Six-B6304FS	178 C.I. (2922cc)	4 Spd Auto (AW43LE)

IDENTIFICATION

MODEL REFERENCE (Cont.)

YEAR & MODEL	ENGINE	DISPLACEMENT	TRANSMISSION
2000-2002			
C70	Five B5234T3 (Turbo)	141 C.I. (2315cc)	4 Spd Auto (AW50-42) 5 Spd Std (M56)
S40	Five B5254T (Turbo)	149 C.I. (2435cc)	4 Spd Auto (AW50-42)
S70	Four B4204T2 (Turbo)	119 C.I.	4 Spd Auto (AW50-42)
	Five B5234T3 (Turbo)	141 C.I. (2315cc)	4 Spd Auto (AW50-42) 5 Spd Std (M56)
	Five B5254S	149 C.I. (2435cc)	4 Spd Auto (AW50-42) 5 Spd Std (M56)
	Five B5254T (Turbo)	149 C.I. (2435cc)	4 Spd Auto AWD (AW50-42 AWD) FWD (AW50-42)
S80	Six B6284T (Turbo)	170 C.I. (2800cc)	5 Spd Std (M56)
	Six B6304S	178 C.I. (2922cc)	4 Spd Auto (4T65EV)
V40	Four B4204T2 (Turbo)	119 C.I.	4 Spd Auto (4T65EV-GT)
V70, S60	Five B5234T6 (Turbo)	141 C.I. (2315cc)	4 Spd Auto (AW50-42)
	Five B5254S	149 C.I. (2435cc)	4 Spd Auto (AW50-42 AWD) 4 Spd Auto (AW50-42) 5 Spd Std (M56)
	Five B5254T (Turbo)	149 C.I. (2435cc)	4 Spd Auto AWD (AW50-42 AWD) FWD (AW50-42) 5 Spd Std (M56)

YEAR & MODEL	ENGINE	TRANSMISSION
2003		
C70	Five 2.3L B5234T9	5 Spd Std, 5 Spd Auto
	Five 2.4L B5244T7	5 Spd Auto
S40	Four 1.9L B4204T3	5 Spd Auto
S60	Five 2.5L B5254T2	5 Spd Auto
	Five 2.3L B5234T3	5 Spd Std, 5 Spd Auto
	Five 2.4L B5244S, B5244T3	5 Spd Std, 5 Spd Auto
S80	Six 2.9L B6294S2, B6294T	4 Spd Auto
V40	Four 1.9L B4204T3	5 Spd Auto
V70	Five 2.4L 58/B5244T3	5 Spd Auto
	Five 2.4L 61/B5244S	5 Spd Std, 5 Spd Auto
	Five 2.4L 64/B5244S6	5 Spd Auto
	Five 2.5L 59/B5254T2	5 Spd Auto
	Five 2.3L 53/B5234T3	5 Spd Std, 5 Spd Auto
XC70	Five 2.5L 59/B5254T2	5 Spd Auto
XC90	Five 2.5L B5254T2	5 Spd Auto
	Six 2.9L B6294T	5 Spd Auto
2004		
C70	Five 2.3L B5234T9	5 Spd Std, 5 Spd Auto
	Five 2.4L B5244T7	5 Spd Auto
S40	Four 1.9L B4204T4	5 Spd Auto
	Five 2.4L B5244S4	5 Spd Std, 5 Spd Auto
	Five 2.5L B5254T3	6 Spd Std, 5 Spd Auto
S60	Five 2.3L B5234T3	5 Spd Std, 5 Spd Auto
	Five 2.4L (VIN 61) B5244S	5 Spd Std, 5 Spd Auto
	Five 2.4L (VIN 64) B5244S6	5 Spd Auto
	Five 2.5L (VIN 52) B5254T3	6 Spd Std
	Five 2.5L (VIN 59) B5254T2	5 Spd Auto
S80	Five 2.5L B5254T2	5 Spd Auto
	Six 2.9L (VIN 91) B6294T	4 Spd Auto
	Six 2.9L (VIN 92) B6294S2	4 Spd Auto
V40	Four 1.9L B4204T4	5 Spd Auto
V70	Five 2.3L B5234T3	5 Spd Std, 5 Spd Auto
	Five 2.4L (VIN 61) B5244S	5 Spd Std, 5 Spd Auto
	Five 2.4L (VIN 64) B5244S6	5 Spd Auto

IDENTIFICATION

MODEL REFERENCE (Cont.)

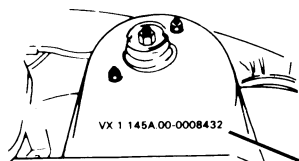
YEAR& MODEL	ENGINE	TRANSMISSION
2005		
S40	Five 2.4L B5244S4 Five 2.5L B5254T3	5 Spd Std, 5 Spd Auto 5 Spd Std, 5 Spd Auto
S60	Five 2.4L (VIN 58) B5244T3 Five 2.4L (VIN 61) B5244S Five 2.4L (VIN 64) B5244S6 Five 2.5L (VIN 52) B5254T3 Five 2.5L (VIN 59) B5254T2	6 Spd Std, 5 Spd Auto 6 Spd Std, 5 Spd Auto 5 Spd Auto 6 Spd Std 5 Spd Auto
S80	Five 2.5L B5254T2 Six 2.9L B6294T	5 Spd Auto 4 Spd Auto
V50	Five 2.4L B5244S4 Five 2.5L B5254T3	5 Spd Auto 6 Spd Std, 5 Spd Auto
V70	Five 2.4L (VIN 58) B5244T3 Five 2.4L (VIN 61) B5244S Five 2.4L (VIN 64) B5244S6 Five 2.5L B5254T2 Five 2.5L B5254T4	5 Spd Std, 5 Spd Auto 5 Spd Std, 5 Spd Auto 5 Spd Auto 6 Spd Std, 5 Spd Auto 6 Spd Std, 5 Spd Auto
XC70	Five 2.5L B5254T2	5 Spd Auto
XC90	Five 2.5L B5254T2 Six 2.9L B6294T Eight 4.4L B8444S	5 Spd Auto 4 Spd Auto 6 Spd Auto
2006		
C70	Five 2.5L B5254T2	6 Spd Std, 5 Spd Auto
S40	Five 2.4L B5244S4 Five 2.5L B5254TS	5 Spd Std, 5 Spd Auto 6 Spd Std, 5 Spd Auto
S60	Five 2.4L B5244T5 Five 2.5L B5254T2 Five 2.5L B5254T4	6 Spd Std, 5 Spd Auto 5 Spd Auto 6 Spd Std, 6 Spd Auto
S80	Five 2.5L B5254T2	5 Spd Auto
V50	Five 2.4L B5244S4 Five 2.5L B5254T3	5 Spd Auto 6 Spd Std, 5 Spd Auto
V70	Five 2.4L B5244S Five 2.4L B5244S6 Five 2.5L B5254T2 Five 2.5L B5254T4	5 Spd Std, 5 Spd Auto 5 Spd Auto 5 Spd Auto 6 Spd Std, 6 Spd Auto
XC70	Five 2.5L B5254T2	5 Spd Auto
XC90	Five 2.5L B5254T2 Eight 4.4L B8444S	5 Spd Auto 6 Spd Auto
2007		
C70	Five 2.5L B5254T2	6 Spd Std, 5 Spd Auto
S40	Five 2.4L B5244S4, B5244S7 Five 2.5L B5254T3	5 Spd Std, 5 Spd Auto 6 Spd Std, 5 Spd Auto
S60	Five 2.4L B5244T5 Five 2.5L B5254T2 Five 2.5L B5254T4	6 Spd Std, 5 Spd Auto 5 Spd Auto 6 Spd Std, 6 Spd Auto
S80	Six 3.2L B6324S Eight 4.4L B8444S	6 Spd Auto 6 Spd Auto
V50	Five 2.4L B5244S4 Five 2.4L B5244S7 Five 2.5L B5254T3	5 Spd Auto 5 Spd Auto 6 Spd Std, 5 Spd Auto
V70	Five 2.4L B5244S Five 2.4L B5244S6 Five 2.5L B5254T2 Five 2.5L B5254T4	5 Spd Std, 5 Spd Auto 5 Spd Auto 5 Spd Auto 6 Spd Std, 6 Spd Auto
XC70	Five 2.5L B5254T2	5 Spd Auto
XC90	Six 3.2L B6324S Eight 4.4L B8444S	6 Spd Auto 6 Spd Auto

IDENTIFICATION

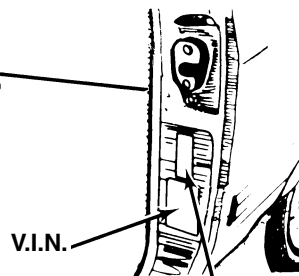
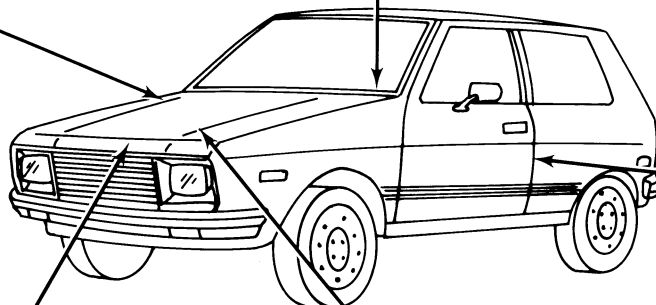
IDENTIFICATION NUMBER OR PLATE

1986-91

VX 1BA 1217 HK 337445



BODY TYPE & NUMBER



V.I.N.

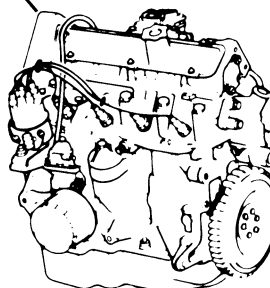
EMISSION CONTROL

CHASSIS NUMBER

ENGINE NUMBER

ZAVODI CRVENA ZASTAVA	
* VX 1145A00 *	*
1220 kg	
2020 kg	
620 kg	
620 kg	
MOT-ENG. 128.064 *	** *
VERZ.VERS.145AB.164	
BR REZ D - N° FOR SPAR	

CAR & ENGINE DATA



ENGINE TYPE & NUMBER

70H03144