



PAPÉ KENWORTH - COBURG (P256)
 91195 COBURGIndustr. WAY
 COBURG, Oregon 97408

SUPER PRODUCTS LLC
 17000 W CLEVELAND AVENUE
 NEW BERLIN, Wisconsin 53151
 United States of America

Ryan Hilliard
 Phone: 503-997-9004
 Email: rhilliard@papekenworth.com

Micheal Perkins
 Phone: 262-796-5925
 Email:

Vehicle Summary

	Unit		Chassis	
Model:	T400 Series Conventional.	Fr Axle Load (lbs):		12000
Type:	FULL TRUCK	Rr Axle Load (lbs):		24020
Description 1:	T440	G.C.W. (lbs):		40000
Description 2:	Clone of Chassis 427618 T400 Series Conventional.			
	Application	Road Conditions:		
Intended Serv.:	Local pickup & delivery: Vehicles which	Class A (Highway)		90
Commodity:	Asphalt.	Class B (Hwy/Mtn)		10
	Body	Class C (Off-Hwy)		0
Type:	Tank.	Class D (Off-Road)		0
Length (ft):	11	Maximum Grade:		6
Height (ft):	12	Wheelbase (in):		195
Max Laden Weight (lbs):	4000	Overhang (in):		39
		Fr Axle to BOC (in):		67.4
		Cab to Axle (in):		127.6
		Cab to EOF (in):		166.6
No. of Trailer Axles:	0	Overall Comb. Length (in):		306.5
Type:				
Length (ft):	0			
Height (ft):	0	Special Req.		
Kingpin Inset (in):	0	U.S. Domestic registry, 50-state.		
Corner Radius (in):	0			
	Restrictions			
Length (ft):	75			
Width (in):	102			
Height (ft):	13.5			

Approved by: _____

Date: _____

Note: All sales are F.O.B. designated plant of manufacture.



Sales Code	Std/Opt	Description	\$ List	Weight
Model				
0000410	S	T400 Series Conventional.	121,638	11,518
0070071	O	T470 4x2 Medium Duty	0	0
0080075	O	Dealer/Customer declines engine w/CARB Idle Emissions Reduction Feature.	0	0
0090063	O	T470 4x2 Medium Duty	0	0
Engine & Equipment				
0129569	O	PACCAR PX-9 370 2017 370@2000 365@2100 1250@1400 Includes turbo exhaust brake, no code is used. Diagnostic Plug for data link, Oil Cooler, Aluminum Flywheel Housing. N09260 P14 64....Max Vehicle Speed in Top Gea N09440 P11 YES...Engine Protection Shtdwn N09460 P06 NO....Gear Down Protection N09300 P19 64....Max Cruise Control Speed N09720 P230 YES...Enable Hot Ambient Automatic N09500 P02 NO....Cruise Control Auto Resume N09520 P04 NO....Auto Engine Brake in Cruise N09480 P26 1400..Max PTO Speed N09580 P32 5.....Idle Shtdwn Time N09680 P33 NO....Idle Shtdwn Override N09560 P520 NO....Enable Idle Shutdown Park Br N09600 P233 YES...Enable Impending Shutdown Wa N09780 P47 80....High Ambient Temperature Thr N09740 P46 0.....Low Ambient Temperature Thre N09200 N205 120...Standard Maximum Speed Limit N09620 P234 30....Timer For Impending Shutdown N09360 N203 252...Reserve Speed Function Reset N09640 P516 0.....Engine Load Threshold N09400 N206 10....Maximum Active Distance (N20 N09420 N201 0.....Reserve Speed Limit Offset (N09760 P56 60....Intermediate Ambient Tempera N09380 N202 0.....Maximum Cycle Distance (N202 N09220 N207 0.....Expiration Distance (N207) N09540 N209 0.....Expiration Distance (N209)	9,002	0
1000151	S	PremierSpec	0	0
1000170	O	Enable engine regeneration in PTO mode Cummins	0	0
1000684	O	Effective VSL Setting NA	0	0
1000858	O	Engine Idle Shutdown Timer Disabled	0	0
1000891	O	Eff EIST NA Expiration Miles Use only with MX and Cummins engines	0	0
1002060	S	Air compressor: Cummins 18.7 CFM For Cummins And	0	0

Price Level: January 1, 2019

Deal: T440

Printed On: 11/26/2019 4:08:18 PM

Date: November 26, 2019

Quote Number: QUO-463716-H5D4T8

Sales Code	Std/Opt	Description	\$ List	Weight
		PACCAR PX engines.		
1051092	S	Engine mount Powercore air cleaner. w/constant torque SS clamps, pop-up air restriction indicator. Pop-up indicator is standard.	0	0
1105230	O	Fan Hub: Horton 2-Speed for ISL9, ISL-G, PX-8 or PX-9	378	0
1121200	O	Cooling module: 1000 square inches T170/T270/T370/T470. Includes metal surge tank on T170/T270/T370.	-429	0
1160205	O	Bug screen: Front of grille on C500 ,T800, T880, and W900. Behind grille on T680 and T300 (Medium Duty).	229	2
1247166	O	Exhaust: 2017 EPA RH Under DPF/SCR w/ RH side of cab vertical tailpipe w/ daycabs, extended daycabs, or modular sleepers.	0	0
1290124	O	Tailpipe: 5 in. single 24 in. 45 degree curved.	-58	-3
1321145	O	Fuel Filter:Fleetguard FS1003 Fuel/Water Separator for PX-9	0	0
1321200	O	Run Aid:None *For Fuel Filter	0	0
1321305	O	Start Aid:12V Heat *For Fuel Filter	67	1
1500029	S	Kenworth Fuel Cooler Required for Cummins engines with a single fuel tank. Required for PACCAR MX-13 engine with a single fuel tank and stationary use: High RPM, low vehicle speed, sustained for longer than 1 hour. Optional for all other applications.	0	0
1504006	O	Block heater, PACCAR 750 watt 120V for PX-6 and PX-7, 1000 watt for PX-8 and PX-9 or ISL9 engines .	120	2
1700149	O	Retarder Jacobs for PX-8/9 ISL w/ 3-way switch.. Replaces the standard turbo brake for PX-8 engines.	2,347	57
1816260	S	Alternator: PACCAR 160 amp, brush type	0	0
1825612	O	Batteries: 2 Optima 31A Threaded post (900) 1800 CCA.	624	6
1836106	S	Mitsubishi 105P55 12V Starter with Cummins and PX PACCAR 12 volt electrical system. W/ centralized power distribution incorporating plug-in style relays. Circuit protection for serviceability, 12-volt light system w/circuit protection circuits number & color coded. Only for Cummins or PX engines.	0	0
1900082	O	Multi-function engine connector for body builder interface for Cummins.	57	0
1900996	O	Jump start terminals under hood.	217	12
Transmission & Clutch				
2011203	O	Transmission: Allison 3000RDS 5-speed w/PTO drive gear. 5th Gen Controls. Includes heat exchanger & oil level sensor. Rugged Duty Series for vocational applications. Transynd transmission fluid is standard on all Allison 1000, 2000, 3000 & 4000	14,198	291

Sales Code	Std/Opt	Description	\$ List	Weight
		series transmissions. Requires a push button shift control code. Oil temperature gauge is standard on class 8 models.		
2406453	O	Driveline: 2 Dana SPL250XL 1 centerbearing requires 3500057 interaxle driveline. Low maintenance offering from Spicer. On-highway 350K mi first service interval, 100K mi subsequent service interval on U-joint, splines lubed for life, quick disconnect end caps.	470	0
2410018	O	Torque converter included w/Allison Transmission.	0	0
2410151	O	Pushbutton control center console mounted. Class 8 with Allison Transmission.	0	0
2410204	O	Delete Allison Fuel Sense	0	0
2410311	O	Decline Allison Neutral at Stop Stand-Alone	0	0
2429100	O	Chassis will be fitted w/ LH transmission PTO. (Prevents ECU F/Interfering w/ PTO Only).	0	0
2429358	O	Rear transmission support springs for transmission PTO applications are required to ensure that engine flywheel housings are not overloaded when transmission PTO's are installed.	79	0
Front Axle & Equipment				
2512042	S	Meritor MFS12E PLUS 12.5K 3.5in. drop standard track	0	0
2607001	S	Front Brakes: 14.6K Bendix air disc brakes lube free.	0	0
2690024	S	Splined rotor for front air disc brakes for use with aluminum hubs.	0	0
2690028	S	Integral Knuckle for Air Disc Brake, for use on Meritor MFS PLUS Steer Axle	0	0
2707050	S	Front Hub: 14,600 lbs. aluminum hub pilot 10-bolt, 11-1/4 in. bolt circle .	0	0
2741970	S	ConMet PreSet Plus Hub package; front axle.	0	0
2750001	S	Hubcap: front vented.	0	0
2769000	S	Slack Adjusters included w/ front axle or brake. Also use w/ disc brakes.	0	0
2863012	S	Front Springs: Taperleaf 12K w/ shock absorbers w/ maintenance-free elastomer spring pin bushings. Standard with rubber pins except for C500 which has threaded pins. Not available on W900L.	0	0
2893651	O	Single power steering gear: 13.2K TRW TAS65.	86	-1
2899336	O	Power Steering Cooler:Radiator Mounted Air-to-Oil	315	11
2900615	O	Threaded bushings for taperleaf springs	44	0

Sales Code	Std/Opt	Description	\$ List	Weight
		12K - 14.6K replacing rubber: T6/T8, W900B, W990. W9L gets as standard: code not required. Not available with W9S. 13K - 14.6K for T370.		
Rear Axle & Equipment				
3061190	O	Single Dana Spicer S26-190 rear axle; 26K capacity rated at 26K. Single rear axle.	1,268	208
3200430	O	Rear Axle Ratio - 4.30.	0	0
3330004	S	Single Rear Brakes 16-1/2x7 in. Bendix ES- extended service S-cam.	0	0
3392001	O	Single rear heavy duty Brake Drums: cast. Use HD Gunite Drum when single axle with GAWR over 23,000 lbs is selected.	100	0
3403220	O	Single Rear Hubs: Iron hub pilot 11-1/4 in. bolt circle.	-31	52
3441971	S	ConMet PreSet Plus Hub package; single rear axle.	0	0
3465001	S	Single Rear axle automatic slack adjusters.	0	0
3485007	S	Spring Brake: 3030 long stroke single 3 in. travel. Helps keep brakes in adjustment longer.	4	2
3495226	S	Bendix 4S/4M anti-lock brake system.	0	0
3531001	O	Wheel Differential Lock for Dana Spicer Axles S21-170/172, S21-190, S23-170/172, S23-190, S26-190 & S30-190; adds D to the end of the axle part number.	1,211	28
3646416	O	Rear suspension: single Reyco 79KB 26K. Steel crossmembers, gussets & multileaf spring w/helper. Unladen Height: 10.8 in. Laden Height: 8.1 in. Not available with shocks or swaybars.	526	120
Tires & Wheels				
4010002	O	Front Tires: Michelin X Works Z 11R22.5 16PR	386	42
4217218	O	Rear Tires: Michelin XWorks XDY 11R22.5 16PR 41.9 in. diameter, drive. in. 19.7 SLR. Code is priced per pair of tires	782	84
4900004	O	Rear Tire Quantity: 4	0	0
5045162	O	Front Wheel: Alcoa 88367 22.5x8.25 aluminum with Lv One [TM] finish, hub-pilot mount. 7,400 lb. maximum rating. Air disc brake compatible.	454	-44
5245162	O	Rear Wheel: Alcoa 88367 22.5x8.25 aluminum with Level One [TM] finish, hub-pilot mount. 7400 lb. maximum rating. Air disc brake compatible. Code is priced per pair of wheels.	844	-88
5900004	O	Rear Wheel/Rim Quantity: 4	0	0
Frame & Equipment				
6056400	O	Frame Rails: 10-3/4 x 3-1/2 x 3/8in. Steel 285in.	436	288

Sales Code	Std/Opt	Description	\$ List	Weight
		to 336 in. Truck frame weight is 3.48 lb.-in. per pair of rails. Section modulus is 17.80, RBM is 2,132,000 in-lbs per rail. Frame rail availability may be restricted based upon application, axle/suspension capacity, fifth wheel setting, or component/dimensional specifications. The results of the engineering review may result in a change to the requested frame rail. If a change is required Kenworth Application Engineering will advise the dealer of the appropriate material specification for a substitute rail.		
6141200	O	Full Steel Insert: for 10-5/8 in. or 10-3/4 in. Steel to 284 in. or 2nd insert for 11-5/8 in. steel frame. Adds 1,149,000 lb.-in. to main rail RBM. Truck insert weight is 2.05 lb.-in. per pair of rails. Full frame insert length is equal to wheelbase plus rear frame cutoff plus dimension forward of front axle by model: T660, T680, T800, T880 = 21.26 in.; C500B = bumper setting minus 0.79 in.; W900B = 5.27 in., W900L = 1.50 in., W900S = 3.27 in.; T440/T470 50 in. bumper setting = 21.26 in., T470 73 in. bumper setting = 72.3 in.	1,434	523
6302461	O	Bumper: Tapered chrome steel channel. Requires a bumper setting code.	700	5
6319073	O	73 in. Bumper setting. Requires a bumper code.	0	0
6390033	O	T470 W/ extended front frame rail. Must code for rail separately.	0	0
6390103	S	Front mudflaps.	0	0
6391201	O	Custom Frame Layout: one chassis CFL A/D: MOUNT R/H INSIDE BOC	1,380	0
6405000	O	In-cab steel battery box: under rider seat or in stand alone box. Requires appropriate AGM battery code, which varies by model, and appropriate rider seat code be selected prior to entering the workscreen. Includes 1 battery disconnect switch.	1,934	-9
6409906	O	In-Cab battery box location: Under rider seat.	0	0
6451112	O	T470,C5, T6, T8 non-polished DPF/SCR or CNG cover, diamond plate with cab access step and polished end plates. For use with 2017 or later RH under exhaust systems. For T8, use extended length non-polished battery box on opposite rail to match the length of under cab components. For use with frame paint color other than standard black. The cover will be unpolished diamond-plate and the end plates will be polished.	140	0
6721102	S	Rear mudflap arms: Betts B-25 standard-duty, straight. Includes B1732 mounting brackets as standard.	0	0
6722000	S	Rear mudflap shields: White plastic antisail w/ Kenworth logo.	0	0
6742009	S	Square end-of-frame w/o crossmember; non-towing.	0	0
Fuel Tanks & Equip				
7210075	O	Fuel Tank: 75 US gallon 24.5in. aluminum under replace. Class 8 fuel tanks w/o locking caps include an anti-siphon device on the filler neck.	235	-33
7722005	O	DEF tank 6.9 clear BOC [CBOC], requires LH under	91	-23

Sales Code	Std/Opt	Description	\$ List	Weight
		cab fuel tank. This tank has 6.9 gallons of usable volume. The tank will be located inboard of the LH under cab fuel tank. There is no frame space required to locate this tank. Not for use on sleeper chassis. Standard capacity is calculated by fuel capacity of the vehicle and will accommodate two diesel fill-ups for every DEF fill-up. For 1:1 DEF fuel fill ratio, add 7889204.		
7889203	S	DEF to fuel fill ratio 2:1 or greater.	0	0
7889604	S	DEF tank location is LH.	0	0
7920075	O	Location: 75 gal fuel tank LH under cab	0	0
Cab & Equipment				
8024310	S	Cab: Curved Glass Conventional. Cab Includes aluminum & fiberglass fully hucked cab w/ all aluminum bulkhead doors & continuous stainless steel piano-style door hinges. Single electric horn standard. Incandescent exterior lights include diagnosable bulb detection and warning. Trailer cable on tractors includes integrity detection. Standard features include multiplex wiring for interior lights, automated pre-trip inspection (excluding T3 series), short and open check diagnostics. Warning alarm will sound when lights are left on.	0	0
8080137	O	Cab door bearing blocks, top & bottom.	30	0
8090410	O	Hood: T470 Sloped Hood for straight rail. Includes radiator mounted grille, split fenders, mudflaps, & separate bumper.	686	0
8108010	S	Cab heater: W/integral defrosters & A/C 45,000 btu cab heater. No sleeper heater/AC. Includes 5 mode rotary control. T660 include filter media.	0	0
8201013	S	Steering wheel: 18 in. 4-spoke.	0	0
8201200	S	Adjustable telescoping tilt steering column.	372	10
8203060	O	5 sets of keys. Replaces standard 2 sets of keys.	29	0
8208495	O	Two spare switches: Wired to power.	85	0
8220106	O	Gauge: Dash mounted air filter restriction gauge.	132	0
8222712	O	Gauge: Fuel filter restriction gauge.	132	0
8225626	O	Gauge: Axle oil temperature gauge. Single drive axle or forward rear axle w/integral warning light.	186	0
8282004	S	KW Driver Information Center: Includes fuel economy, RPM display, trip information, truck information, diagnostics, gear display, alarm clock.	0	0
8282009	S	Instrument package: Includes speedometer, tachometer, fuel gauge, engine coolant temperature gauge, engine oil pressure, voltmeter. Class 8 also includes primary & secondary air	0	0

Sales Code	Std/Opt	Description	\$ List	Weight
		reservoir gauges & an air application gauge. DEF level gauge and warning lamp are included with 2010+ engines. Engine hour meter and outside air temperature readouts are standard. Primary read out will be MPH. Add 8240620 to switch primary scale to KPH in Canada.		
8282107	S	Large flat panel on dash For customer-installed controls. Reduces gauge count by 6.	0	0
8331140	S	Cab Interior: Summit. T440/T470 Only. Includes smooth upholstered side & back panels w/stitched accent lines, upholstered door pads, full vinyl headliner, black dash panels & black rubber floor mats.	0	0
8343304	S	Interior color: Slate Gray w/trim Dark Slate Gray	0	0
8410492	O	Driver Seat: Kenworth Air Cushion Premium Plus HB Mordura. Standard features includes 7 in. fore and aft slide adjustment w/isolator, 6-58 degree recline, air suspension w/ cover, dual armrests, and triple chamber air lumbar support. Cushion and back include air adjustment. Seat cushion is 20 inches wide w/ 2-position tilt and 6-position front cushion support. Seat material has a horizontal stitch pattern and is 2-tone in color. Standard storage includes a side bolster pocket and a hanging pocket. Seat back is carpeted, and high back seats include a storage pocket. Seat is manufactured by National. Includes inside visor and retractable 3-point matching seat belts. Grey seat belts.	431	0
8450470	O	Rider seat: Kenworth Plus battery box LB Mordura Standard features include fixed base and backrest, fixed seat base and backrest, and dual armrests. Seat cushion is 19.5 inches. Seat material has a horizontal stitch pattern and is 2-tone in color. Seat back is carpeted. Seat is manufactured by National. Includes inside visor and retractable 3-point matching seat belts. Grey seat belts.	-62	-39
8490170	O	Seat color: All Jet Black.	0	0
8498552	O	Delete dual rider armrests.	0	0
8601422	O	Kenworth Radio with AM/FM/WB/CD/USB and Bluetooth	526	4
8601881	O	CB Radio: Cobra 29. W/header mounted quick release. Includes transceiver & separate speaker remote-mounted in headliner & dual CB antennas. Includes sound tracker & illuminated panel.	490	11
8699147	O	Solid post antenna: Mounted on LH cowl. Replaces top-of-cab antenna. Recommended for dump trucks, loggers, & where overcab clearance is limited.	25	0
8699514	O	Speakers: Four 4 in. x 6 in. high performance. Adds 2 speakers to the Panasonic standard 2. Located in cab header & rear cab corners.	101	0
8700101	O	Black dash: Replacing trim color dash. W/Diamond trim the dash top, area by the glovebox & lower dash will be black. The trim around the main dash area, above the glove box, the header spear & trim on the doors will be woodgrain.	31	0
8700108	O	Under dash center console: Includes one cupholder & two 12V outlets. For use w/Autoshift, Ultrashift, & Allison Gen IV only.	26	0

Sales Code	Std/Opt	Description	\$ List	Weight
8700168	S	Non-self cancelling turn signal: W/column-mounted headlight dimmer switch & intermittent wiper control.	0	0
8700186	S	Electric LH & RH door locks.	0	0
8800200	S	Cab access contoured grabhandles, LH/RH.	0	0
8800400	S	Grabhandle: LH inside door frame above dash.	0	0
8800401	S	Grabhandle: RH inside door frame above dash.	0	0
8832115	S	Daylite Door: LH/RH includes RH peeper window	0	0
8841618	O	Dual rectangular air horn 23 in. LH & RH top of roof. Includes air horn covers.	204	4
8850300	S	Look-Down, Pass. Door, Stainless 8.5x4.4	0	0
8863570	O	Dual convex heated mirror 8.5 inch w/ offset mounting below regular mirror.	80	11
8866102	O	Mirror: Dual Prutsman Lighted Mirrors 7 in. x 16 in. Polished Stainless Steel, Thermostatically Controlled & Lighted. Switch Located On Door Pad.	55	0
8869005	S	Mirror brackets 8-1/2 ft load width.	0	0
8871438	S	Rear Cab Stationary Window 17 in. x 36 in.	0	0
8879200	S	Manual LH & electric-powered RH door window. Switch located on door.	0	0
8890100	S	One-piece windshield, w/ curved glass.	0	0
8890135	O	Exterior stainless steel sunvisor.	592	11
8890869	O	Severe service reinforcements for aluminum cab sill.	159	17
8890898	O	Link Cabmate suspension.	616	22
8891000	O	Quiet Cab Package: For Non-VIT Interiors. Includes Firewall Insulation & Floor Covering w/ Sound Deadening Materials and Cowl Blanket	177	77
Lights & Instruments				
9010801	S	Headlamps: Halogen Projector Low Beam, Halogen Complex Reflector High Beam	0	0
9022137	O	Marker Lights: Five, rectangular, LED	105	0
9030010	S	Turn Signal Lights: Mounted on fender	0	0
9070138	S	Combination Stop, Tail, Turn & Backup Lights RH & LH.	0	0
9080201	O	Switch & Wiring: Customer-installed beacon lights	123	0

Price Level: January 1, 2019

Deal: T440

Printed On: 11/26/2019 4:08:18 PM

Date: November 26, 2019

Quote Number: QUO-463716-H5D4T8

Sales Code	Std/Opt	Description	\$ List	Weight
		mounted on non-Aerodynamic mirrors.		
9090039	S	Marker Lights: Interrupter Switch. Included in Turn Signal For All Models Except T3. The T3 Switch Is In The Dash.	0	0
9090049	O	Omit Brake Light with Engine Brake. Can only be selected when chassis also has engine brake. Cannot be used with options to delete engine brake.	0	0
9090845	O	Circuit Breakers: Replacing fuses. Does not apply to any 5-amp fuse box position. Brakers include stop/brake/turn, tail lamp, high & low beams, marker/clearance lamps, horn, fuel heat, gauges, air dryer, HVAC controls, panel lamps. Some circuits will remain fuses.	39	0
Air Equipment				
9101215	S	Air Dryer Bendix AD-IS heated Puraguard	0	0
9108001	S	Moisture ejection valve w/ pull cable drain.	0	0
9110020	O	Full truck kit: Gladhands mounted at end-of- frame. Seven-way female receptacle mounted at end-of-frame in taillamp bracket. Kit includes dash mounted trailer air supply valve, trailer hand control valve, and hoses/fittings for the valves. Dash mounted parking brake valve, tractor protection valve, and spring brake inversion/relay valves are standard.	632	15
9140020	S	Nylon air tubing in frame & cab, excluding hoses subject to excessive heat or flexing.	0	0
9140328	O	Trailer ABS electric supply through SAE J560 7-pin connector per TMC RP137).	0	0
Extended Warranty				
9200002	O	Base Warranty - Severe Service 12 months / 50,000 miles / 80,000 km.	0	0
9200008	O	Base Warranty - PACCAR PX-9 Engine 24 months / 250,000 miles / 402,336 km / 6250 hours.	0	0
Miscellaneous				
9400076	O	Local PDI then Ship to Spec. Address	0	0
9409852	O	GHG Secondary Manufacturer: Does Not Apply	0	0
9490003	O	Additional lead time required for off highway & /or specialty component truck.	0	0
9490206	O	Warning triangle reflector kit: Shipped loose. Kit consists of 3 triangles in plastic carrying case. Not floor mounted.	44	4
Promotions				
Paint				



Sales Code	Std/Opt	Description	\$ List	Weight
9700000	O	Paint color number(s). N9702 A - L0006 WHITE N9720 FRAME N0001 BLACK	0	0
9943004	O	Bumper Unpainted	-82	0
9943050	O	Day Cab Standard Paint	0	0
9944820	O	1 - Color Paint - Day Cab Color will be White if no other color is specified.	0	0
9965510	S	Base coat/clear coat. The Kenworth Color Selector contains additional instructions, as well as information on Kenworth paint guidelines and surface finish applications. Kenworth is standard with Dupont Imron Elite paint.	0	0

Order Comments

Total Weight

13,192

Prices and Specifications Subject to Change Without Notice.

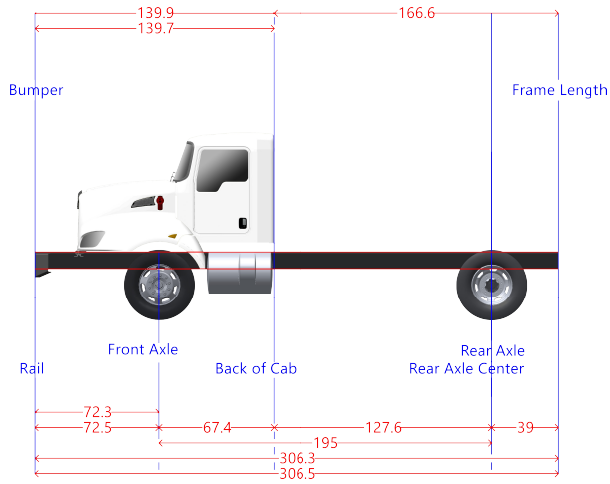
Unpublished options may require review/approval.

Dimensional and performance data for unpublished options may vary from that displayed in CRM.

PRICING DISCLAIMER

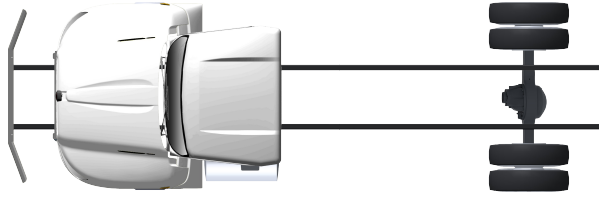
While we make every effort to maintain the web site to preserve pricing accuracy, prices are subject to change without notice. Although the information in this price list is presented in good faith and believed to be correct at the time of printing, we make no representations or warranties as to the completeness or accuracy of this information. We reserve the right to change, delete or otherwise modify the pricing information which is represented herein without any prior notice. We carefully check pricing specifications, but occasionally errors can occur, therefore we reserve the right to change such prices without notice. We disclaim all liability for any errors or omissions in the materials. In no event will we be responsible for any damages of any nature whatsoever from the reliance upon information from these materials. Please check your order prebills to confirm your pricing information

HORIZONTAL DIMENSIONS



Dimension	Measurement	Start	End
Axle Spacing	0	195	195
Bumper to Back of Cab	139.9	-72.5	67.4
Bumper to Front Axle	72.5	-72.5	0
Bumper to Front Frame	0.2	-72.5	-72.3
Cab to End of Frame	166.6	67.4	234
Cab to Rear Axle	127.6	67.4	195
Effective Bumper to Back Of Cab	139.9	-72.5	67.4
Frame Length	306.3	-72.3	234
Front Axle to Back of Cab	67.4	0	67.4
Front of Frame to Axle	72.3	-72.3	0
Load Space	166.6	67.4	234
Overall Length	306.5	-72.5	234
Overhang	39	195	234
Pusher Offset #1	0	195	195
Pusher Offset #2	0	195	195
Pusher Offset #3	0	195	195
Tag Offset	0	195	195
Wheelbase	195	0	195

FRAME LAYOUT



Note: Optional content may be displayed. The order has not yet received an engineering review. The actual arrangement of components may not be exactly as pictured. Additional changes may be made to the layout by Kenworth. Add a Custom Frame Layout code if an exact layout is required.

Selected Options (Wheelbase: 195)

Sales Code	Description	Length	Side
7722005	DEF tank 6.9 clear BOC [CBOC], requires LH under	20	Left
6405000	In-cab steel battery box: under rider seat or in	20	Center
7210075	Fuel Tank: 75 US gallon 24.5in. aluminum under	38.5	Left