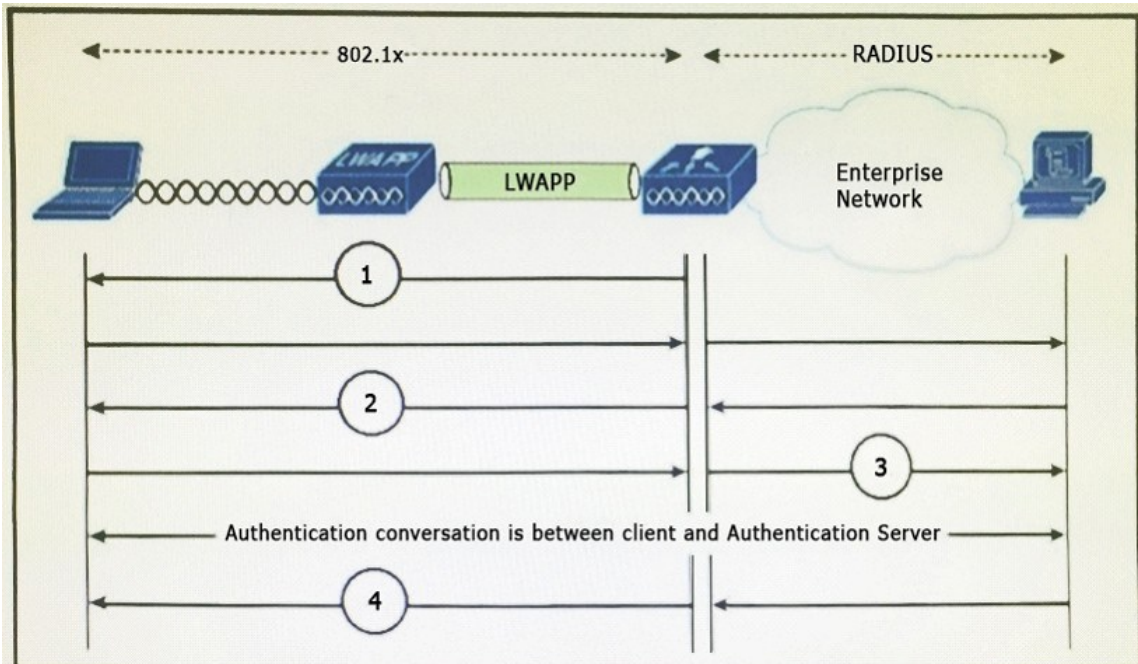


- **Vendor: Cisco**
- **Exam Code: 400-351**
- **Exam Name: CCIE Wireless Written Exam, v3.1**
- **Question 151 – End**

[Visit PassLeader and Download Full Version 400-351 Exam Dumps](#)

QUESTION 151

Drag and Drop Question
Refer to the exhibit.



Drag and drop steps of the 802.1x authentication process on the left to the corresponding number on the right.

EAP Identity Request	1
EAPOL Key Sessions	2
EAPOL-start	3
EAP Response - EAP Type	4
EAP Success	
EAP Request - EAP Type	

Answer:

EAP Identity Request	EAP Request - EAP Type
EAPOL Key Sessions	EAPOL-start
EAPOL-start	EAP Response - EAP Type
EAP Response - EAP Type	EAPOL Key Sessions
EAP Success	
EAP Request - EAP Type	

QUESTION 152

Drag and Drop Question

You need to troubleshoot an easily reproduced issue using WCS. In what order you need do perform below tasks to successfully be able to troubleshoot the issue?

Click Download from the Download Log File section.	Step 1
From the Message Level drop-down list, choose Trace .	Step 2
Choose Administration > Logging .	Step 3
After you have retrieved the logs, select Information from the Message Level drop-down list.	Step 4
Return to the Logging Options page.	Step 5
Select each check box to enable all log modules.	Step 6
Reproduce the current problem.	Step 7

Answer:

You need to troubleshoot an easily reproduced issue using WCS. In what order you need do perform below tasks to successfully be able to troubleshoot the issue?

Click Download from the Download Log File section.	Choose Administration > Logging .
From the Message Level drop-down list, choose Trace .	From the Message Level drop-down list, choose Trace .
Choose Administration > Logging .	Select each check box to enable all log modules.
After you have retrieved the logs, select Information from the Message Level drop-down list.	Reproduce the current problem.
Return to the Logging Options page.	Return to the Logging Options page.
Select each check box to enable all log modules.	Click Download from the Download Log File section.
Reproduce the current problem.	After you have retrieved the logs, select Information from the Message Level drop-down list.

QUESTION 153

Drag and Drop Question

Drag and drop the characteristic on the left to the appropriate EAP type on the right.

Uses one-time password such as tokens	LEAP
Vulnerable to dictionary attacks	PEAP
Requires a client and server side certificate	EAP TLS
Uses a protected access credential to establish a TLS tunnel	EAP GTC
Uses MSCHAPv2 inside a TLS tunnel	EAP FAST





Answer:

Uses one-time password such as tokens	Vulnerable to dictionary attacks
Vulnerable to dictionary attacks	Uses one-time password such as tokens
Requires a client and server side certificate	Uses MSCHAPv2 inside a TLS tunnel
Uses a protected access credential to establish a TLS tunnel	Requires a client and server side certificate
Uses MSCHAPv2 inside a TLS tunnel	Uses a protected access credential to establish a TLS tunnel

QUESTION 154

Drag and Drop Question

What do these icons represent on a WCS floor map? Drag each icon on the left to its corresponding meaning on the right.

	a chokepoint
	an 802.11 tag
	a client
	an AP

Answer:

What do these icons represent on a WCS floor map? Drag each icon on the left to its corresponding meaning on the right.

QUESTION 155

Drag and Drop Question

Regarding mesh access points, map the bridge group name characteristics on the left to the maximum BGN length and BGN of an out-of-the-box AP on the right.

10 characters	maximum BGN length
32 characters	Target
DEFAULT	BGN of an out-of-the-box AP
NULL	Target

Answer:

Regarding mesh access points, map the bridge group name characteristics on the left to the maximum BGN length and BGN of an out-of-the-box AP on the right.

10 characters	maximum BGN length
32 characters	10 characters
DEFAULT	BGN of an out-of-the-box AP
NULL	NULL

QUESTION 156

Drag and Drop Question

When a client associates to an H-REAP access point, the access point sends all authentication messages to the controller and either switches the client data packets locally (locally switched) or sends them to the controller (centrally switched), depending on the WLAN configuration. With respect to client authentication and data packets, the WLAN can be in any one of the following states, depending on the configuration and state of controller connectivity. Map the states on the left to the correct description on the right.

central authentication, central switching	In this state, the WLAN rejects any new clients trying to authenticate, but it continues sending beacon and probe responses to keep existing clients alive.
central authentication, local switching	This state is useful where you cannot maintain the criteria for a remote office setup with a minimum bandwidth of 128 kb/s, roundtrip latency no greater than 100 ms, and MTU no smaller than 500 bytes.
local authentication, local switching	In this state, the controller handles client authentication, and all client data tunnels back to the controller.
authentication down, switching down	In this state, the controller handles client authentication, and the H-REAP access point switches data packets locally. This state is applicable only in connected mode.
authentication down, local switching	In this state, the WLAN disassociates existing clients and stops sending beacon and probe responses.

Answer:

When a client associates to an H-REAP access point, the access point sends all authentication messages to the controller and either switches the client data packets locally (locally switched) or sends them to the controller (centrally switched), depending on the WLAN configuration. With respect to client authentication and data packets, the WLAN can be in any one of the following states, depending on the configuration and state of controller connectivity. Map the states on the left to the correct description on the right.

central authentication, central switching	authentication down, local switching
central authentication, local switching	local authentication, local switching
local authentication, local switching	central authentication, central switching
authentication down, switching down	central authentication, local switching
authentication down, local switching	authentication down, switching down

QUESTION 157

Which two options are benefits of moving the application development workload to the cloud? (Choose two.)

- A. it provides you full control over the software packages and vendor used
- B. The application availability is not affected by the loss of a single virtual machine
- C. The workload can be moved or replicated easily
- D. It provides a more secure environment
- E. High availability and redundancy is handled by the hypervisor

Answer: BC

QUESTION 158

In a typical three-node OpenStack deployment, which two components are part of the controller node? (Choose two.)

- A. Neutron Layer 3 agent
- B. Neutron DHCP agent
- C. Identity service
- D. Neutron Layer 2 agent
- E. Neutron server plugin

Answer: CE

QUESTION 159

In a Cisco ACI environment, which option best describes "contracts"?

- A. a set of interaction rules between endpoint groups
- B. a Layer 3 forwarding domain
- C. to determine endpoint group membership status
- D. named groups of related endpoints

Answer: A

QUESTION 160

Which two characteristics of an IoT network are true? (Choose two.)

- A. The transmission rate in an IoT network is consistent.
- B. IoT networks must be designed for low-powered devices.
- C. IoT networks use IS-IS for routing.
- D. IoT networks are 100% reliable.
- E. IoT networks are bandwidth constrained.

Answer: BE

QUESTION 161

Which option is the common primary use case for tools such as Puppet, Chef, Ansible, and Salt?

- A. network function visualization
- B. policy assurance
- C. Configuration management
- D. network orchestration

Answer: C

QUESTION 162

Which two statements about the various types of DevOps tools are true? (Choose two.)

- A. Puppet requires the installation of a master (server) and agents (clients) architecture for configuring systems.
- B. Salt cannot communicate with clients through general SSH, it uses minions client agents only.
- C. Puppet and Chef are written in Python, Python skills are a must to operate these two.
- D. Ansible does not require agent node installation and uses SSH for performing all tasks.
- E. Chef and Puppet are much more attuned to the needs of system administrators.

Answer: AD

QUESTION 163

Which two platforms provide hypervisor virtualization? (Choose two.)

- A. DevStack
- B. Docker
- C. KVM
- D. OpenStack
- E. Xen

Answer: CE

QUESTION 164

Which two effects does TSPEC-based admission control have as it relates to WMM clients? (Choose two.)

- A. Deny clients access to the WLAN that do not support WMM.
- B. Allow access only for VOWLAN traffic when interference is detected.

- C. Enforce airtime entitlement for wireless voice applications.
- D. Ensure that call quality does not degrade for existing VoWLAN calls.
- E. Deny clients access to the WLAN if they do not comply with the TERP standard.

Answer: BE

QUESTION 165

On a Cisco autonomous AP, the maximum number of attempts to send a packet (packet retries) is set to 32 by default. Which statement about the result when the AP has tried to send a packet for that number of attempts and no response is received from the client is true?

- A. The access point drops the packet.
- B. The client MAC address is excluded for 60 seconds.
- C. The access point resets the radio interface.
- D. The access point disassociates the client.

Answer: A

QUESTION 166

Which option describes the function of the Intercloud Fabric Extender?

- A. It provides the network overlay functionality between the used clouds or cloud models.
- B. It establishes a secure site-to-site tunnel to the intercloud fabric agent in the private cloud.
- C. It applies network policies and collects and reports VEM-related intercloud statistics.
- D. It establishes a secure site-to-site tunnel to the intercloud fabric switch in the provider cloud.

Answer: D

QUESTION 167

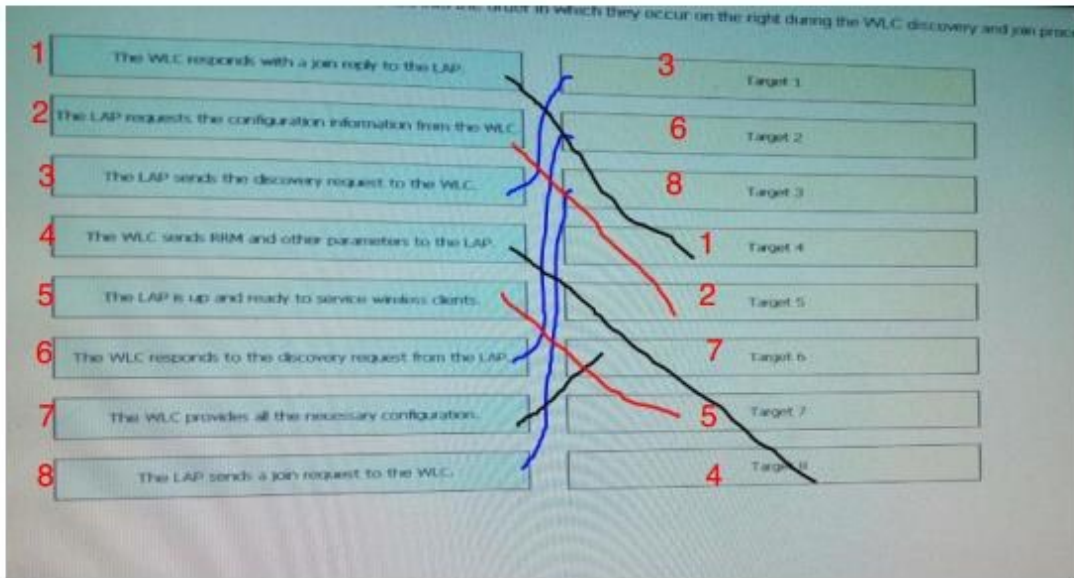
Drag and Drop Question

Drag and drop the CAPWAP events on the left into the order in which they occur on the right during the WLC discovery and join processes.

The WLC responds with a join reply to the LAP.	Target 1
The LAP requests the configuration information from the WLC.	Target 2
The LAP sends the discovery request to the WLC.	Target 3
The WLC sends RRM and other parameters to the LAP.	Target 4
The LAP is up and ready to service wireless clients.	Target 5
The WLC responds to the discovery request from the LAP.	Target 6
The WLC provides all the necessary configuration.	Target 7
The LAP sends a join request to the WLC.	Target 8

Answer:

Answer



QUESTION 168

Which two effects does TSPEC-based admission control have as it relates to WMM clients? (Choose two.)

- A. Deny clients access to the WLAN that do not support WMM.
- B. Allow access only for VoWLAN traffic when interference is detected.
- C. Enforce airtime entitlement for wireless voice applications.
- D. Ensure that call quality does not degrade for existing VoWLAN calls.
- E. Deny clients access to the WLAN if they do not comply with the TERP standard.

Answer: CD

QUESTION 169

Which four options are the HTTP methods supported by a reset API?

- A. RETRIEVE
- B. GET
- C. PUT
- D. DELETE
- E. COPY
- F. POST
- G. SET

Answer: BCDF

QUESTION 170

Which mechanism incorporates the channel capacity into the CAC determination and gives a much more accurate assessment of the current call carrying capacity of the AP?

- A. Static CAC.
- B. Reserved roaming bandwidth(%).

- C. Expedited bandwidth.
- D. Metrics collection.
- E. Load-based AC.
- F. Max RF bandwidth(%).
- G. Admission control.

Answer:

[Visit PassLeader and Download Full Version 400-351 Exam Dumps](#)