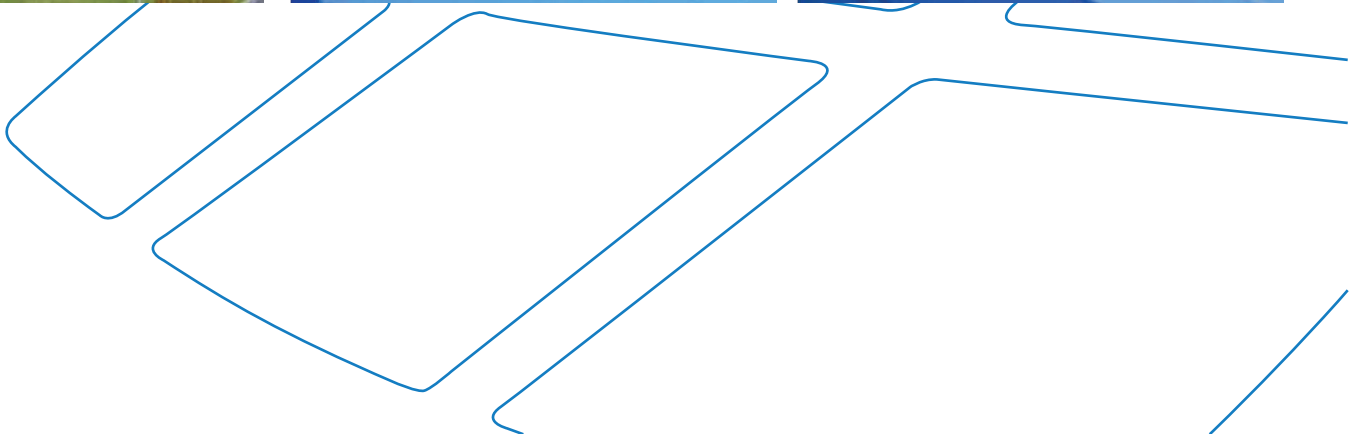




VERSACOURT ADJUSTABLE NET SYSTEM INSTALLATION INSTRUCTIONS





Installation Instructions

VN-ADJSTL-F

VN-ADJSTL-G

VN-ADJSTL-LG

Adjustable Net System – Steel Standards

-Parts List:

-	A*	(2)	12' x 3 ½" square net poles	VN-ADJSTLPOL
-	B	(1)	Collar with reel	VN-ADJSTLCOL-R
-	C	(1)	Multi-Game Net with Cable	VN-NET
-	D	(4)	Bungee cords	VF-REBBUNG
-	E*	(2)	Pole Caps 3.5"	VL-LITVVSQ30
-	F	(4)	D-ring	VN-DRING
-	G	(1)	Collar w/eyebolt	VN-ADJSTLCOL-E
-	H	(1)	Collar w/pulley	VN-ADJSTLCOL-P
-	J*	(2)	Aluminum ground sleeves (SGS-42)	VN-ADJALGS-42
-	K	(10)	¼" Screws	VN-SCREW-1/4
-	L	(1)	7/32" Drill bit	VN-DRILLBIT-7/32
-	M	(1)	Spring Link	VN-SPRINGLINK

*Quantity will vary when installing with a light pole as one of the net standards or if installing with a goal post as one of the net standards.

-Tools Required:

-	Level	Shovel	Post hole digger / auger
-	Concrete	9/16" wrench	¼" allen wrench
-	Duct tape	Tape Measure	Power drill / ¼" hex driver bit

-Ground Sleeve Installation Instructions:

-PLEASE READ BEFORE YOU BEGIN DIGGING-

IMPORTANT - Contacting buried utilities may cause serious injury or death. Before you start digging, always contact your local One-Call system to help prevent personal injury, interruption of services, environmental accidents or job delays. Electrical lines can shock or electrocute. Gas lines can rupture causing explosion or fire. Laser light in fiber optic cable can cause blindness. If you do not know the number for the local One-Call in your area, call the National One-Call at 1-888-258-0808 for this information.



IMPORTANT – When preparing for the ground sleeve, allow at least 10” from all sides of ground sleeve to wall of hole to allow for sufficient concrete fill around anchor.

- Location of the net poles will be determined by the length and type of net being used. Please follow dimensions on the drawing supplied by VersaCourt or contact your VersaCourt Salesperson for assistance.
- Hole to be 2’ minimum diameter and 4’6” minimum depth (See Illustration). Use an auger or post-hole digger to dig hole.
- Distance from bottom of ground sleeve to bottom of hole to be no less than 12”.
- Plug both ends of the aluminum ground sleeve with duct tape to prevent concrete from filling the sleeve.
- Position sleeve and fill hole with concrete mix – For best results, do not fully fill the hole with concrete mix before positioning the sleeve. Instead, fill base of hole with concrete mix, lower the ground sleeve into the hole, position it and then finish filling with concrete mix.
- Top of ground sleeve to be ½” above playing surface.
- IMPORTANT – As hole is filled with concrete mix, periodically place a level on top of sleeve and check that it is level front-to-back and left-to-right. Also, check that the top of the sleeve is at the correct height.

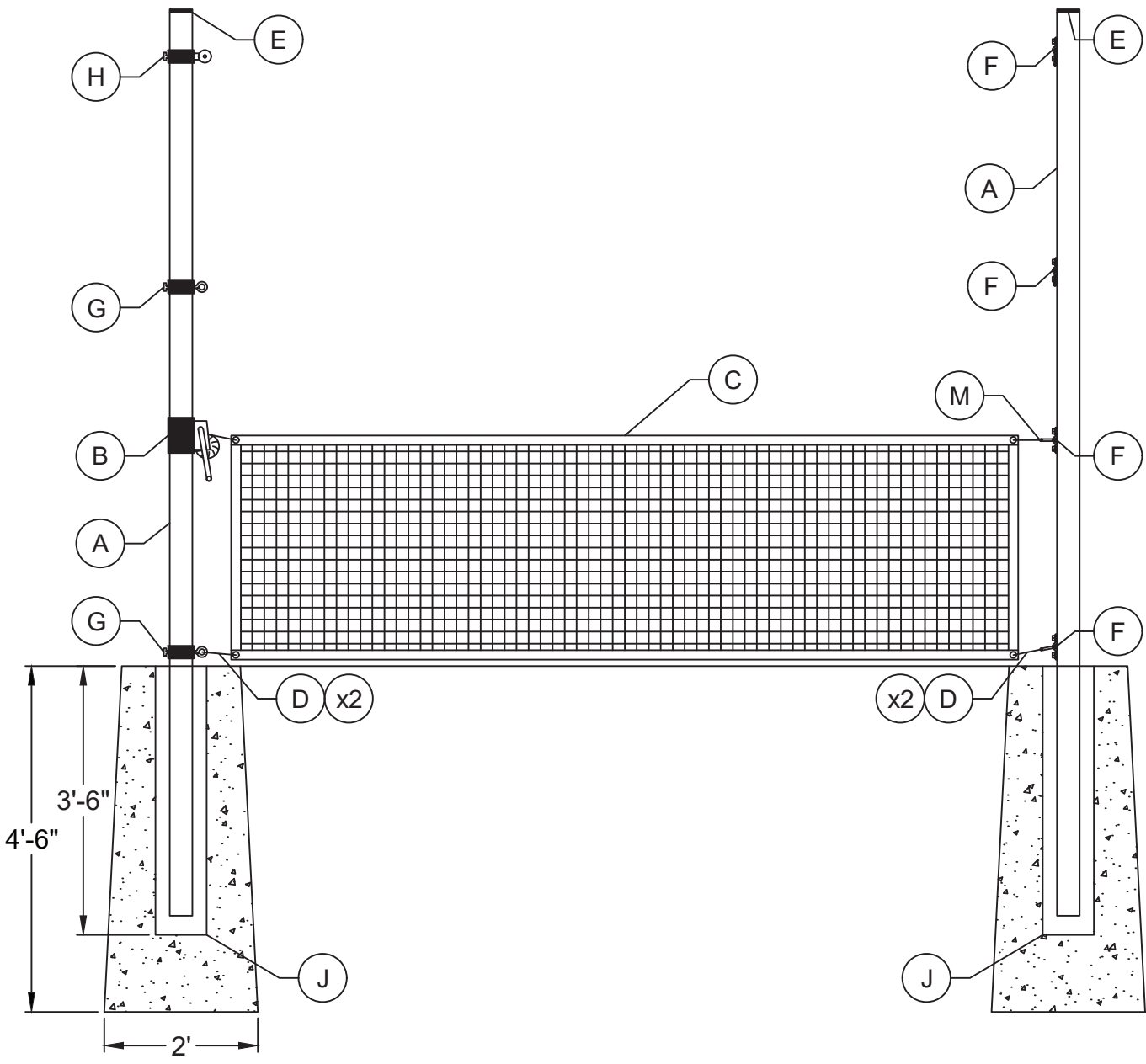
-Net Hardware Installation Instructions:

After concrete has cured (5-6 days) remove duct tape and insert square net poles into ground sleeves. Slip all collars and braces over the top of the poles as shown (See Illustration). Set collars and braces according to the height adjustment of the game you want to play. Finish by placing the pole caps on each pole.

INSTALLATION INSTRUCTIONS

Height Adjustment Options

Adjustable Net System - Steel Standards

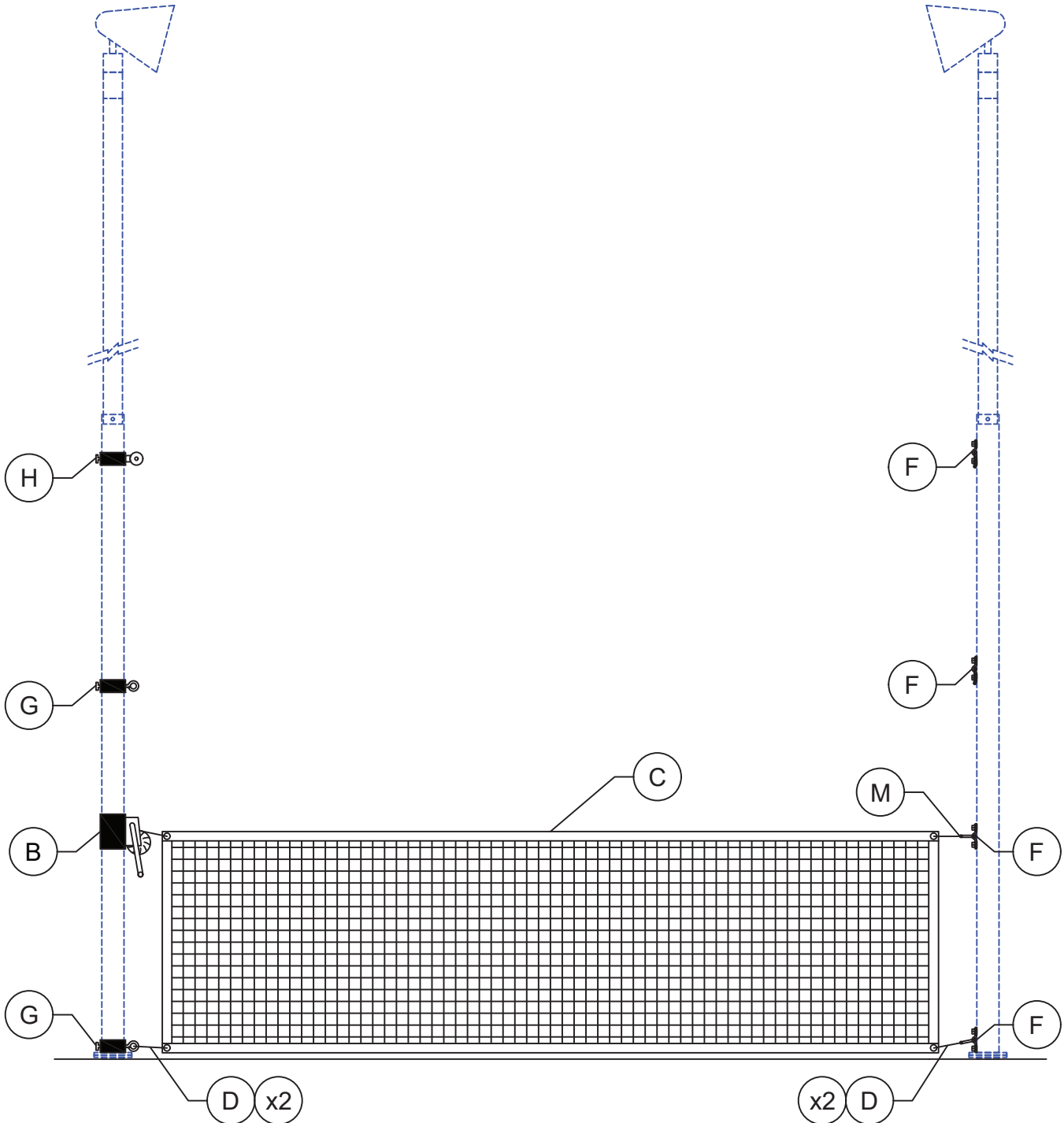


INSTALLATION INSTRUCTIONS

Height Adjustment Options

Adjustable Net System - Steel Standards

One or both net standards may be substituted for light poles. All net hardware must be assembled prior to completing light pole assembly. See Light Installation Instructions for light pole assembly.

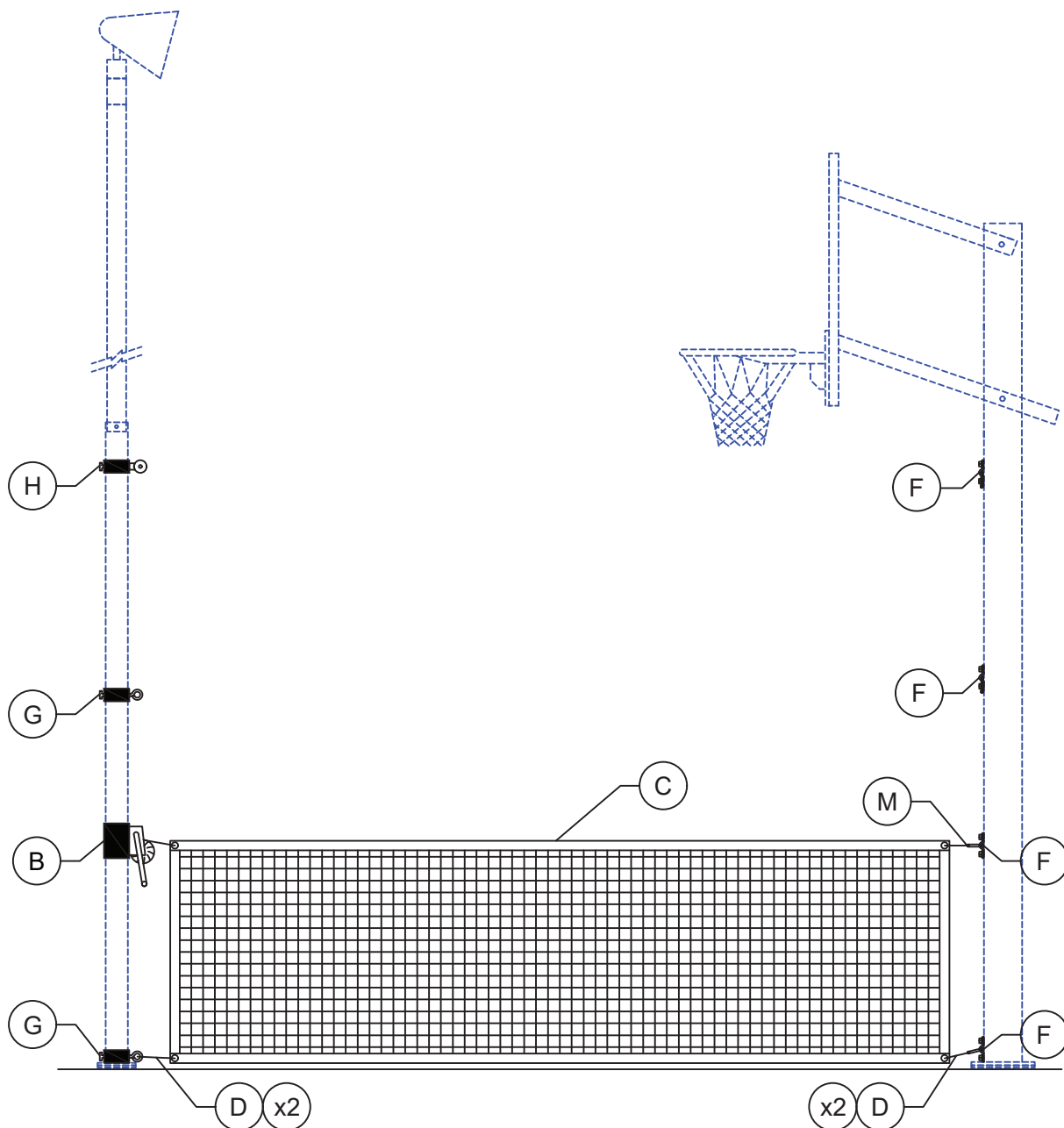


INSTALLATION INSTRUCTIONS

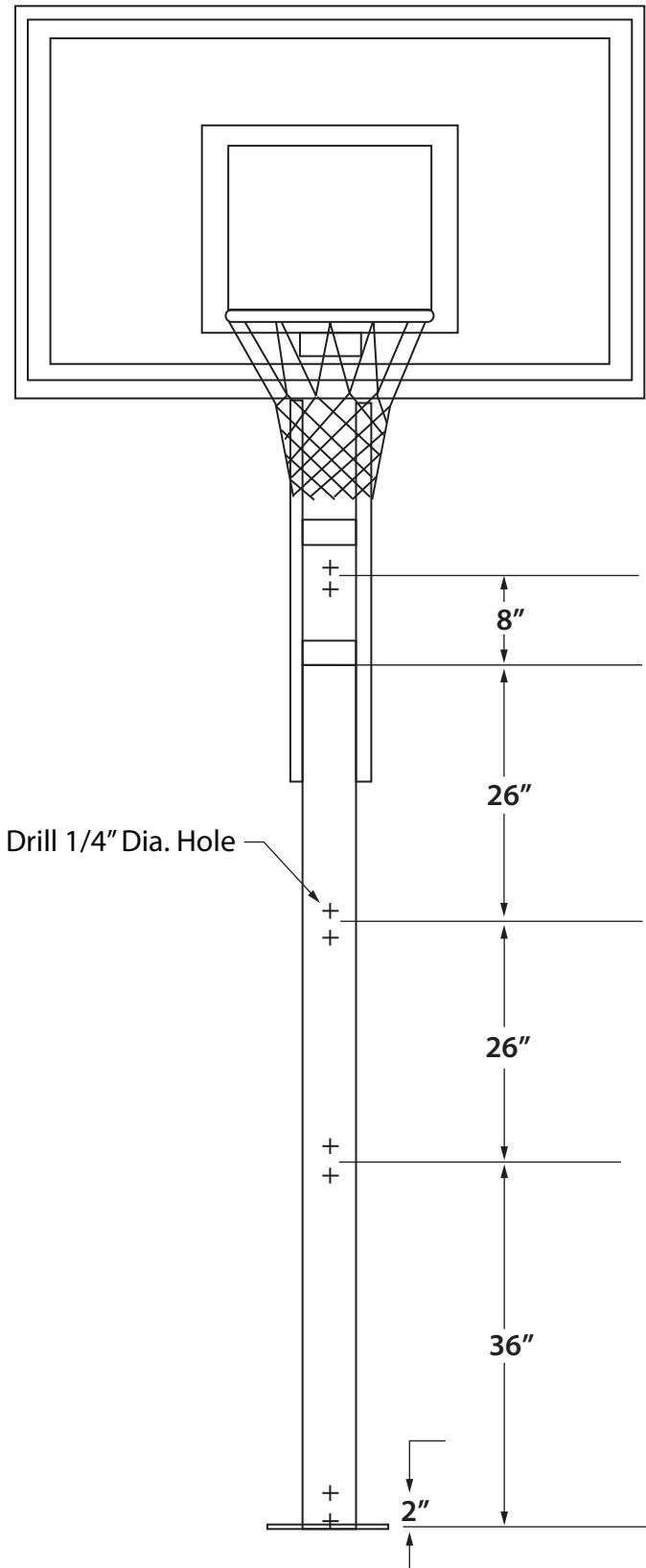
Height Adjustment Options

Adjustable Net System - Steel Standards

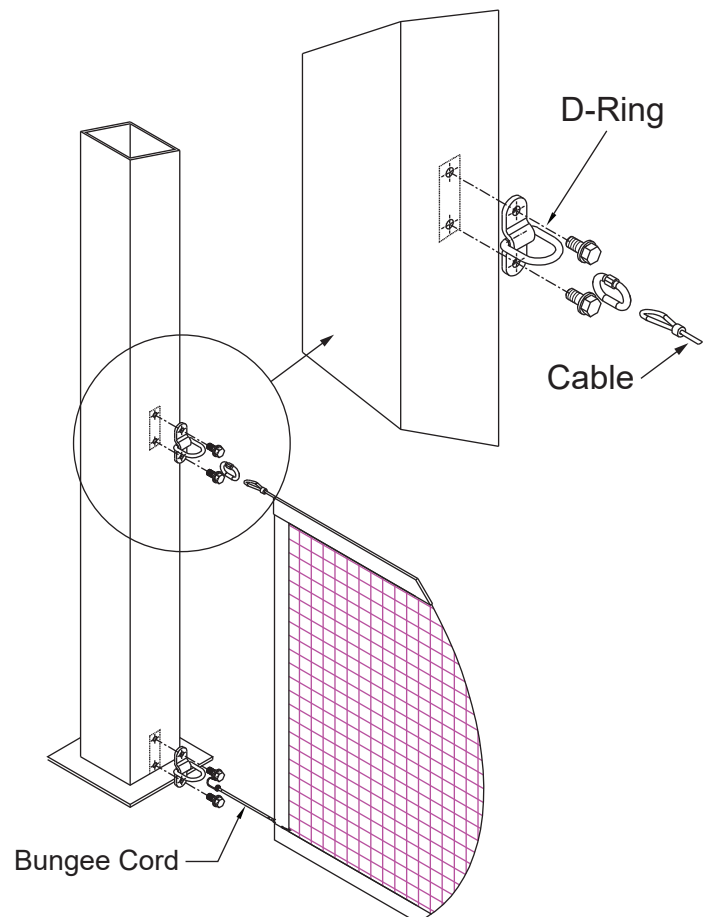
One net standard or one light pole may be used with goal post for net installation. When utilizing light pole, all net hardware must be assembled prior to completing light pole assembly. See Goal Net Adapter drawing for goal net adapter installation.
See Light Installation Instructions for light pole assembly.
See Goal Installation Instructions for goal assembly.



ASSEMBLY INSTRUCTIONS



1. Drill two pilot holes for each D-Ring installation. The center of the D-Ring should be at the desired heights.
2" from bottom of post for bungee to attach.
36" Tennis
59" for bottom of Volleyball
(Optional 62" for Badminton,
Extra set of D-Rings needed)
93" Volleyball
2. Attach D-Rings to the post using 1/4" screws provided.
3. Connect D-Ring at desired height to cable with link.
4. Use bungee cord to attach bottom of net to closest D-Ring.





Adjustable Net Systems with MegaSlam Goal Post

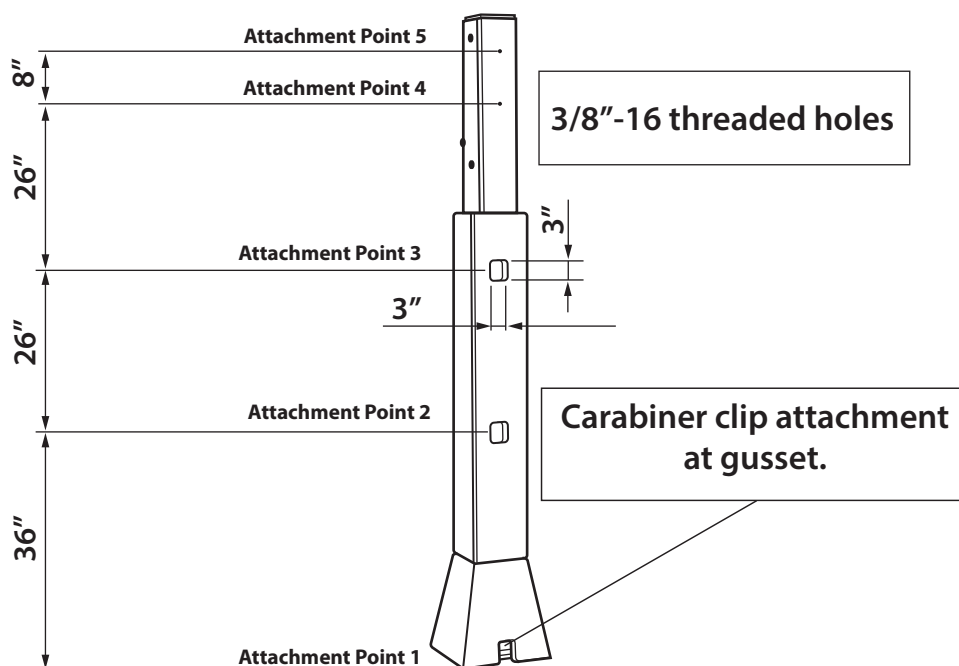
The MegaSport goal system has five attachment point locations that can be utilized with our Adjustable Net Systems. In the hardware kit included with your purchase, you will find two 3/8" eyebolts and one carabiner that are used on the MegaSport goal post. Depending on the sport you are playing (Tennis, Badminton or Volleyball), the eyebolts will be utilized on attachment points 2-5. The carabiner will be used for attachment point 1.

- For Tennis: Attachment point 1 and 2.
- For Badminton: Attachment point 2 and 3.
- For Volleyball: Attachment point 3 and 4 or 5.

See diagram below.

MULTI-SPORT POLE SPECIFICATIONS

MegaSlam



How to install an adjustable net using a MegaSport basketball goal post ONLY.

1. Determine the appropriate attachment point locations for the sport you are wanting to play.
2. Using the 3/8" eyebolts provided, screw in an eyebolt into the two appropriate attachment point locations. (If using Attachment Point 1 - you will use a carabiner instead of an eyebolt). Tighten by inserting a screwdriver into the eyebolt hole and turning it clockwise. Be sure not to over tighten.
3. Attach hook cable of net with link.
4. Fasten hook to pole in desired attachment point location.
5. Attach bottom of net using bungee cord to desired attachment point location.