

VicFlex™ Sprinkler Fittings

Series AH1, AH2 and AH4 Braided Flexible Hose Assemblies



Approvals/Listings:



See Victaulic Publication 10.01 for more details.

Product Description:

VicFlex sprinkler fittings provide sprinkler installation on suspended ceiling grids, wood or metal stud/joist or hat furring channel hard-lid ceilings utilizing a flexible, stainless steel hose and steel bracket assembly. Refer to the Installation Manual for all applicable ASTM ceiling material and installation standards.

System Components

• Hoses:

Series AH1 Braided Hose

Series AH2 Braided Hose

Series AH4 Braided Hose

Assembly lengths: 31, 36, 48, 60, 72"/790, 914, 1220, 1525, 1830mm. Note: length includes branch-line nipple and 5.75"/140mm straight reducer.

• **Sprinkler Reducers:** ½" and ¾"/15 and 20 mm sprinkler connections and 5.75"/140mm, 9"/230mm, 13"/330mm straight lengths and short, long 90° elbows. Note: The short 90° elbow is typically used with concealed sprinklers while the long 90° elbow is typically used in the installation of recessed pendent sprinklers.

• **Branch Connections:** 1"/25mm NPT or BSPT branch line nipples for attaching to rigid pipe. ¾"/20mm NPT or BSPT available for VdS.

• Brackets:

Style AB1 for suspended and hard-lid ceilings, allows installation before ceiling tiles in place

Style AB2 for hard-lid ceilings, allows for vertical sprinkler adjustment

Style AB4 for hard-lid ceilings with hat furring channel grid systems, allows for vertical sprinkler adjustment

Style AB7 for suspended ceilings and hard-lid ceilings

Style AB7 Adjustable for suspended and hard-lid ceilings

Style AB8 for hard-lid ceilings (regionally available)

Style AB9 for hard-lid ceilings with hat furring channel grid systems

Style AB10 for Armstrong® TechZone™ ceilings

Job/Owner

System No.	
Location	

Contractor

Submitted By	
Date	

Engineer

Spec Section	
Paragraph	
Approved	
Date	

Technical Specifications:

Maximum Working Temperature: 225°F/107°C

Maximum Working Pressure:

- 200 psi/1375 kPa (FM Approval)
- 175 psi/1206 kPa (cULus Listed -Series AH1 and AH2 only)
- 1600 kPa/232 psi (VdS/LPCB Approved)

Connections:

To branch line (inlet) via 1"/25.4 mm NPT or BSPT male thread

OR

To branch line (inlet) via ¾"/20 mm BSPT male thread (VdS only)

To sprinkler head (outlet) via ½" or ¾"/15 mm or 20 mm NPT or BSPT female thread

Minimum Bend Radius:

- 7"/178 mm (FM Approval)
- 2"/51 mm (cULus Listed - Series AH2 only)
- 3"/76.2 mm (cULus Listed - Series AH1 only)
- 3"/76.2 mm (VdS/LPCB Approved)

Maximum Allowable Sprinkler K-Factors:

- FM (½"/15mm reducer) K5.6/8,1 (S.I.)
(¾"/20mm reducer) K14.0/20,2 (S.I.)
- cULus (½"/15mm reducer) K8.0/11,5 (S.I.)
(¾"/20mm reducer) K14.0/20,2 (S.I.)
- VdS/LPCB (½"/15mm reducer) K5.6/8,1 (S.I.)
(¾"/20mm reducer) K8.0/11,5 (S.I.)

Material Specifications:

• **Series AH1**

Flexible Hose: 300-series Stainless Steel

Collar/Weld Fitting: 300-series Stainless Steel

Gasket Seal: Victaulic EPDM

Isolation Ring: Nylon

Nut and Nipple: Carbon Steel, Zinc Plated

Reducers (½ or ¾"): Carbon Steel, Zinc-Plated

• **Series AH2**

Flexible Hose: 300-series Stainless Steel

Collar/Weld Fitting: 300-series Stainless Steel

Gasket Seal: Victaulic EPDM

Isolation Ring: Nylon

Nut and Nipple: Carbon Steel, Zinc Plated

Reducers (½ or ¾"): Carbon Steel, Zinc-Plated

• **Series AH4**

Flexible Hose: 300-series Stainless Steel

Collar/Weld Fitting: 300-series Stainless Steel

Gasket Seal: EPDM per ASTM D2000

Isolation Ring: N/A

Nut and Nipple: Carbon Steel, Zinc-Plated

Reducers (½ or ¾"): Carbon Steel, Zinc-Plated

- **Brackets:** Carbon Steel, Zinc-Plated



FRICITION LOSS DATA:
-Series AH2 Braided Hose with Straight 5.75" Reducers
-Style AB1 and AB10 Brackets

Length of Stainless Steel Flexible Hose inches	Outlet Size inches/type	Series AH2 Hose	
		Equivalent Length of 1"/33.7mm Sch. 40 Pipe (C=120) feet/meters	Maximum Number of 90° Bends at 2"/51mm Bend Radius
31	1/2"/Straight	16/4.9	4
	3/4"/Straight	17/5.2	4
36	1/2"/Straight	21/6.4	5
	3/4"/Straight	23/7.0	5
48	1/2"/Straight	32/9.8	8
	3/4"/Straight	37/11.3	8
60	1/2"/Straight	46/14.0	10
	3/4"/Straight	46/14.0	10
72	1/2"/Straight	55/16.8	12
	3/4"/Straight	53/16.2	12

Series AH2 Braided Hose Equivalent Length Design Guide

Equivalent length values at various numbers of 90 degree bends at 2"/51mm center line bend radius

Length of Stainless Steel Flexible Hose inches	Outlet Size inches	1 Bend	2 Bends	3 Bends	4 Bends	5 Bends	6 Bends	7 Bends	8 Bends	9 Bends	10 Bends	11 Bends	12 Bends
		31	1/2"	8.5/2.6	11.0/3.4	13.0/4.0	16.0/4.9	N.A	N.A	N.A	N.A	N.A	N.A
	3/4"	10.0/3.0	12.5/3.8	14.0/4.3	17.0/5.2	N.A	N.A	N.A	N.A	N.A	N.A	N.A	N.A
36	1/2"	13.5/4.1	16.0/4.9	18.0/5.5	19.0/5.8	21.0/6.4	N.A	N.A	N.A	N.A	N.A	N.A	N.A
	3/4"	14.0/4.3	17.0/5.2	19.5/5.9	20.0/6.1	23.0/7.0	N.A	N.A	N.A	N.A	N.A	N.A	N.A
48	1/2"	15.5/4.7	17.0/5.2	19.5/5.9	20.0/6.1	21.0/6.4	22.0/6.7	28.0/8.5	32.0/9.8	N.A	N.A	N.A	N.A
	3/4"	17.0/5.2	19.0/5.8	21.5/6.6	24.5/7.5	26.0/7.9	27.0/8.2	30.0/9.1	37.0/11.3	N.A	N.A	N.A	N.A
60	1/2"	21.5/6.6	24.0/7.3	27.0/8.2	28.5/8.7	30.0/9.1	31.0/9.4	37.0/11.3	42.0/12.8	44.0/13.4	46.0/14.0	N.A	N.A
	3/4"	23.0/7.0	24.0/7.3	28.0/8.5	29.5/9.0	30.5/9.3	31.0/9.4	38.0/11.6	42.0/12.8	44.0/13.4	46.0/14.0	N.A	N.A
72	1/2"	30.0/9.1	32.0/9.8	36.5/11.1	37.5/11.4	40.5/12.5	41.0/12.8	42.0/12.8	46.0/14.0	49.0/14.9	52.0/15.8	54.0/16.5	55.0/16.8
	3/4"	32.0/9.8	32.5/9.9	35.0/10.7	35.5/10.8	40.0/12.3	40.5/12.3	41.0/12.5	46.0/14.0	50.0/15.2	51.0/15.5	52.0/15.8	53.0/16.2

Note: Values for use with 5.75" straight reducers.

How to use this Design Guide:

- 1 For some systems, it may be advantageous for the designer to calculate the system hydraulics using shorter equivalent lengths associated with fewer than the maximum allowable number of bends. In this case, the designer may select a design number of bends for the job and use the associated equivalent length from the design guide to determine the system hydraulics.
- 2 It is possible that the actual installed condition of some of the flexible drops may have more bends than the designer selected. When this happens, the design guide may be used to find equivalent lengths based on the actual installed number of bends for particular sprinkler installations. The system hydraulics can be recalculated using actual equivalent lengths to verify the performance of the system.





FRICITION LOSS DATA:
-Series AH1 Braided Hose with Straight 5.75" Reducers
-Style AB1 and AB10 Brackets

Length of Stainless Steel Flexible Hose inches	Outlet Size inches/type	Series AH1 Hose	
		Equivalent Length of 1"/33.7mm Sch. 40 Pipe (C=120) feet/meters	Maximum Number of 90° Bends at 3"/76.2mm Bend Radius
		31	1/2"/Straight
	3/4"/Straight	55/16.8	3
36	1/2"/Straight	63/19.2	4
	3/4"/Straight	66/20.1	4
48	1/2"/Straight	78/23.8	4
	3/4"/Straight	80/24.4	4
60	1/2"/Straight	88/26.8	4
	3/4"/Straight	90/27.4	4
72	1/2"/Straight	112/34.1	5
	3/4"/Straight	118/36.0	5

Series AH1 Braided Hose Equivalent Length Design Guide

Equivalent length values at various numbers of 90 degree bends at 3"/75mm center line bend radius

Length of Stainless Steel Flexible Hose inches	Outlet Size inches	1 Bend	2 Bends	3 Bends	4 Bends	5 Bends
		31	1/2"	32	42	52
	3/4"	33	44	55	N.A	N.A
36	1/2"	33	43	53	63	N.A
	3/4"	36	46	56	66	N.A
48	1/2"	46	57	68	78	N.A
	3/4"	51	60	71	80	N.A
60	1/2"	56	67	77	88	N.A
	3/4"	58	69	80	90	N.A
72	1/2"	69	79	91	102	112
	3/4"	73	84	95	106	118

Note: Values for use with 5.75" straight reducers.

How to use this Design Guide:

- 1 For some systems, it may be advantageous for the designer to calculate the system hydraulics using shorter equivalent lengths associated with fewer than the maximum allowable number of bends. In this case, the designer may select a design number of bends for the job and use the associated equivalent length from the design guide to determine the system hydraulics.
- 2 It is possible that the actual installed condition of some of the flexible drops may have more bends than the designer selected. When this happens, the design guide may be used to find equivalent lengths based on the actual installed number of bends for particular sprinkler installations. The system hydraulics can be recalculated using actual equivalent lengths to verify the performance of the system.



FRICION LOSS DATA:
-Series AH1, AH2 and AH4 Braided Hose
-Various brackets specific to hose

Length of Stainless Steel Flexible Hose*	Sprinkler K-Factor	Outlet Size	Series AH1 Hose		Series AH2 Hose		Series AH4 Hose	
			For use with Style AB1, AB2, AB4, AB7, AB7 Adj., AB8, AB9 and AB10 VicFlex Brackets		For use with Style AB1, AB2, AB4, AB7, AB7 Adj., AB8, AB9 and AB10 VicFlex Brackets		For use with Style AB1, AB7, AB8, and AB9 VicFlex Brackets	
			Equivalent Length of 1"/33.7mm Sch. 40 Pipe	Maximum Number of 90° Bends at 7"/178mm Bend Radius	Equivalent Length of 1"/33.7mm Sch. 40 Pipe	Maximum Number of 90° Bends at 7"/178mm Bend Radius	Equivalent Length of 1"/33.7mm Sch. 40 Pipe	Maximum Number of 90° Bends at 7"/178mm Bend Radius
inches	Imperial/S.I.	inches/type	feet/meters		feet/meters		feet/meters	
31	5.6/8.1	1/2" /Straight	53.8/16.4	2	23.5/7.1	2	20.6/6.3	2
		1/2" /90° Elbow	53.8/16.4		23/7.0		21.7/6.6	
36	5.6/8.1	1/2" /Straight	63.7/19.4	2	27.8/8.5	2	29.7/9.0	2
		1/2" /90° Elbow	63.1/19.2		27.7/8.4		29.8/9.0	
48	5.6/8.1	1/2" /Straight	87.9/26.8	3	38.2/11.6	3	27.5/8.3	3
		1/2" /90° Elbow	85.8/26.1		37.4/11.4		29.2/8.9	
60	5.6/8.1	1/2" /Straight	112.2/34.1	4	42.4/12.9	4	35.7/10.9	4
		1/2" /90° Elbow	108.4/33.0		43/13.1		37.2/11.3	
72	5.6/8.1	1/2" /Straight	136.5/41.6	4	46.6/14.2	4	45.9/14.0	4
		1/2" /90° Elbow	131.1/39.9		48.5/14.7		47.5/14.5	
31	8.0/11.5	3/4" /Straight	44.4/13.5	2	20.7/6.3	2	13.3/4.0	2
		3/4" /90° Elbow	47.6/14.5		20.5/6.2		14.6/4.4	
36	8.0/11.5	3/4" /Straight	55.6/16.9	2	25.0/7.6	2	21.7/6.6	2
		3/4" /90° Elbow	57.5/17.5		24.6/7.5		22.4/6.8	
48	8.0/11.5	3/4" /Straight	82.8/25.2	3	35.5/10.8	3	21.2/6.4	3
		3/4" /90° Elbow	81.7/24.9		34.7/10.6		22.2/6.7	
60	8.0/11.5	3/4" /Straight	110.1/33.5	4	39.6/12.1	4	27.9/8.5	4
		3/4" /90° Elbow	105.9/32.2		40.1/12.2		28.9/8.8	
72	8.0/11.5	3/4" /Straight	137.3/41.8	4	43.5/13.2	4	38.8/11.8	4
		3/4" /90° Elbow	130.2/39.7		45.2/13.7		39.4/12.0	
31	11.2/16.1	3/4" /Straight	45.5/13.8	2	17.8/5.4	2	16.4/5.0	2
		3/4" /90° Elbow	47.1/14.3		18/5.5		19.9/6.1	
36	11.2/16.1	3/4" /Straight	66.3/20.2	2	22.2/6.7	2	21.7/6.6	2
		3/4" /90° Elbow	57.5/17.5		22.1/6.7		24.2/7.4	
48	11.2/16.1	3/4" /Straight	82.7/25.2	3	32.9/10.0	3	28.5/8.7	3
		3/4" /90° Elbow	82.8/25.2		32.1/9.8		29.9/9.1	
60	11.2/16.1	3/4" /Straight	109.1/33.2	4	36.8/11.2	4	34.7/10.5	4
		3/4" /90° Elbow	108.1/32.9		37.1/11.3		30.3/9.2	
72	11.2/16.1	3/4" /Straight	135.5/41.3	4	40.5/12.3	4	38.6/11.6	4
		3/4" /90° Elbow	133.4/40.6		41.9/12.7		38.6/11.7	
31	14.0/20.2	3/4" /Straight	44.3/13.5	2	14.9/4.5	2	16.3/5.0	2
		3/4" /90° Elbow	46.4/14.1		15.5/4.72		19.9/6.1	
36	14.0/20.2	3/4" /Straight	55.5/16.9	2	19.4/5.9	2	21.8/6.7	2
		3/4" /90° Elbow	56.7/17.3		19.6/5.9		24.2/7.4	
48	14.0/20.2	3/4" /Straight	83.0/25.3	3	30.3/9.2	3	28.3/8.6	3
		3/4" /90° Elbow	82.1/25.0		29.5/8.9		29.9/9.1	
60	14.0/20.2	3/4" /Straight	110.4/33.6	4	33.9/10.3	4	34.9/10.6	4
		3/4" /90° Elbow	107.5/32.7		34.1/10.4		30.3/9.2	
72	14.0/20.2	3/4" /Straight	137.9/42.0	4	37.5/11.4	4	41.5/12.6	4
		3/4" /90° Elbow	132.8/40.4		38.6/11.7		38.6/11.7	

FM Notes:

Series AH1, AH2 and AH4 have been tested and Approved by FM Global for use in wet, dry and preaction systems per NFPA 13, 13R, and 13D and FM data sheets 2-0, 2-5, and 2-8. FM 1637 and Vds standards for safety include, but are not limited to, pressure cycling, corrosion resistance, flow characteristics, vibration resistance, leakage, mechanical and hydrostatic strength.

Differences in equivalent lengths are due to varying test methods, per FM 1637 and VdS standards. Refer to these standards for additional information regarding friction loss test methods.

EXAMPLE: A 48-inch hose installed with two 30° bends and two 90° bends at a 7-inch bend radius is permitted and considered equivalent to the data in the table shown above. In this example, the total number of degrees is 240°, which is less than the allowable 270°.





FRICION LOSS DATA:

- Series AH1, AH2 and AH4 Braided Hose
- Style AB1, AB2, AB4, AB7, AB7 Adj., AB8, AB9, and AB10 Brackets

Length of Stainless Steel Flexible Hose mm/inches	Outlet Size mm/inches type	Series AH1 Hose	Series AH2 Hose	Series AH4 Hose	Maximum Number of 90° Bends at 3"/76.2mm Bend Radius
		Equivalent Length of steel pipe according to EN 10255 DN 20 (26,9 x 2,65) and relating to a flow velocity of 5 m/s meters/feet	Equivalent Length of steel pipe according to EN 10255 DN 25 (33,7 x 3,25) and relating to a flow velocity of 5 m/s meters/feet	Equivalent Length of steel pipe according to EN 10255 DN 25 (33,7 x 3,25) and relating to a flow velocity of 5 m/s meters/feet	
790/31	15mm / 1/2" / Straight	4.0/12.9	5.5/18.0	5.5/18.0	3
	20 mm / 3/4" / Straight				
915/36	15mm / 1/2" / Straight	4.6/15.0	6.4/21.0	6.4/21.0	3
	20 mm / 3/4" / Straight				
1220/48	15mm / 1/2" / Straight	6.1/20.0	8.5/27.9	8.5/27.9	3
	20 mm / 3/4" / Straight				
1525/60	15mm / 1/2" / Straight	7.6/25.0	10.7/35.1	10.7/35.1	4
	20 mm / 3/4" / Straight				
1830/72	15mm / 1/2" / Straight	9.2/30.0	12.8/42.0	12.8/42.0	4
	20 mm / 3/4" / Straight				

VdS Ceiling Manufacturers List

AB1, AB2, AB7, AB10

1. AMF
2. Armstrong
3. Chicago Metallic
4. Dipling
5. Durlum
6. Geipel
7. Gema-Armstrong
8. Hilti
9. Knauf
10. Lafarge
11. Linder
12. Odenwald
13. Richter
14. Rigips
15. Rockfon Pagos
16. Suckow & Fischer
17. USG Donn

AB4/9

No specific approval

AB8

1. Hilti
2. Knauf
3. Lafarge
4. Lindner
5. Rigips



FRICION LOSS DATA:

- Series AH2 Braided Hose
- Style AB1 Bracket

Length of Stainless Steel Flexible Hose mm/inches	Outlet Size mm/inches/type	Series AH2 Hose	Maximum Number of 90° Bends at 3"/76.2mm Bend Radius
		Equivalent Length of steel pipe according to EN 10255 DN 20 (26,9 x 2,65) and relating to a flow velocity of 5 m/s meters/feet	
790/31	15mm / 1/2" / Straight	12.65/41.5	2
	20 mm / 3/4" / Straight		
915/36	15mm / 1/2" / Straight	14.8/48.6	3
	20 mm / 3/4" / Straight		
1220/48	15mm / 1/2" / Straight	15/49.2	3
	20 mm / 3/4" / Straight		
1525/60	15mm / 1/2" / Straight	15.3/50.2	3
	20 mm / 3/4" / Straight		
1830/72	15mm / 1/2" / Straight	17.5/57.4	3
	20 mm / 3/4" / Straight		

Length of Stainless Steel Flexible Hose mm/inches	Outlet Size mm/inches/type	Series AH2 Hose	Maximum Number of 90° Bends at 3"/76.2mm Bend Radius
		Equivalent Length of steel pipe according to EN 10255 DN 25 (33,7 x 3,25) and relating to a flow velocity of 5 m/s meters/feet	
790/31	15mm / 1/2" / 90° Elbow	14.4/47.2	2
	20 mm / 3/4" / 90° Elbow		
915/36	15mm / 1/2" / 90° Elbow	14.3/46.9	3
	20 mm / 3/4" / 90° Elbow		
1220/48	15mm / 1/2" / 90° Elbow	15.3/50.2	3
	20 mm / 3/4" / 90° Elbow		
1525/60	15mm / 1/2" / 90° Elbow	16.0/52.5	3
	20 mm / 3/4" / 90° Elbow		
1830/72	15mm / 1/2" / 90° Elbow	17.1/56.1	3
	20 mm / 3/4" / 90° Elbow		

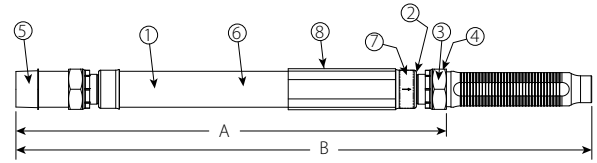


Product Details - Series AH1 Braided Hose

Series AH2 Braided Hose

Series AH4 Braided Hose

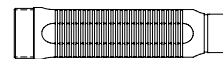
Item	Description
1	Flexible Hose
2	Isolation Ring (Series AH1 and AH2 only)
3	Gasket
4	Nut
5	Branch Line Nipple
6	Braid
7	Collar/Weld Fitting
8	Sleeve (AH2 Only)



Hose Length Dimensions

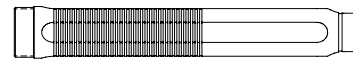
Hose Length inches mm	A inches mm	B inches mm
31/790	25.25	31/790
36/915	31.25	36/915
48/1220	42.25	48/1220
60/1525	54.25	60/1525
72/1830	66.25	72/1830

Standard



5.75"/140 mm straight reducer

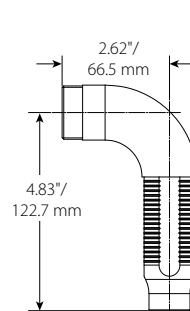
Optional



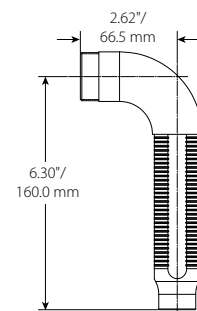
9.0"/229 mm straight reducer



13.0"/330 mm straight reducer



Short 90° elbow reducer



Long 90° elbow reducer

Note: The Short 90° elbow reducer is typically used with concealed sprinklers while the longer 90 elbow is typically used in the installation of recessed pendent sprinklers.

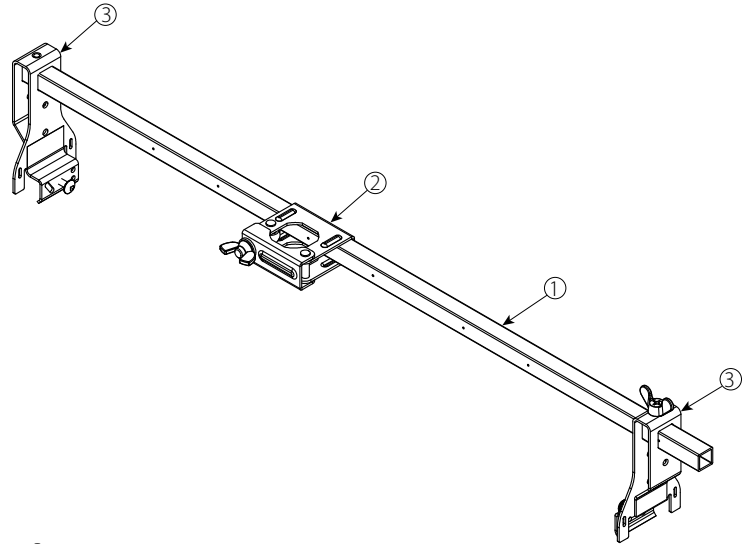
VicFlex Brackets

Style AB1

- Suspended Ceilings
- Hard-Lid Ceilings (FM Only)

Item	Description
1	24"/610mm or 48"/1219mm Square Bar*
2	Patented 1-Bee ² ® Center Bracket
3	End Bracket

*Both sizes FM/VdS/LPCB approved, cULus listed



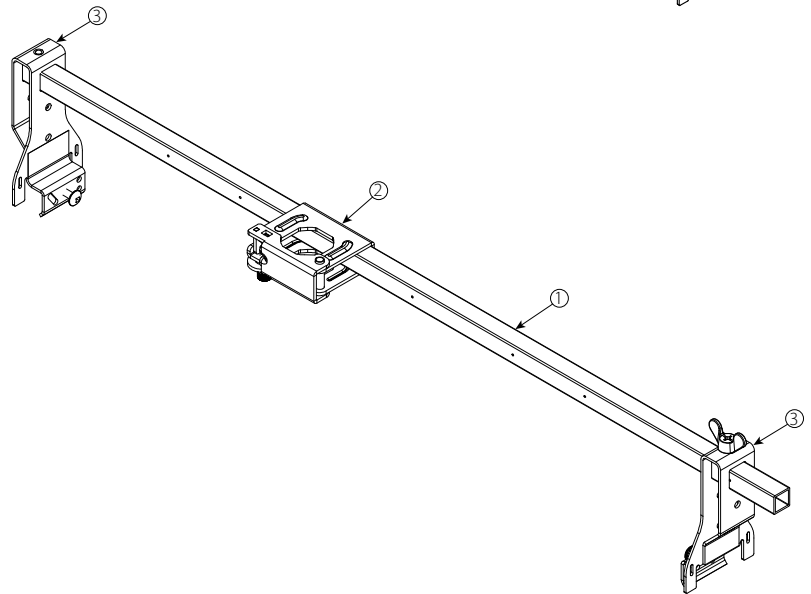
Style AB2

- Hard-Lid Ceilings

Item	Description
1	24"/610mm or 48"/1219mm Square Bar*
2	Patent-Pending adjustable Center bracket
3	End Bracket

*Both sizes FM/VdS approved.

Note: 5/32" / 4mm hex key required for adjustment



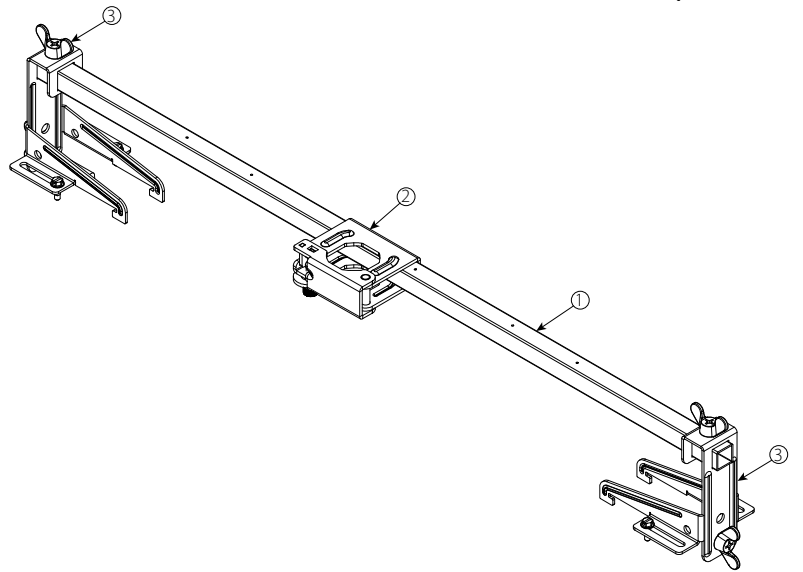
Style AB4

- Hard-Lid Ceilings with Hat furring channel grid system

Item	Description
1	24"/610mm or 48"/1219mm Square Bar*
2	Patent-Pending adjustable Center bracket
3	End Bracket for Hat Furring Channel

*Both sizes FM/VdS approved.

Note: 5/32" / 4mm hex key required for adjustment

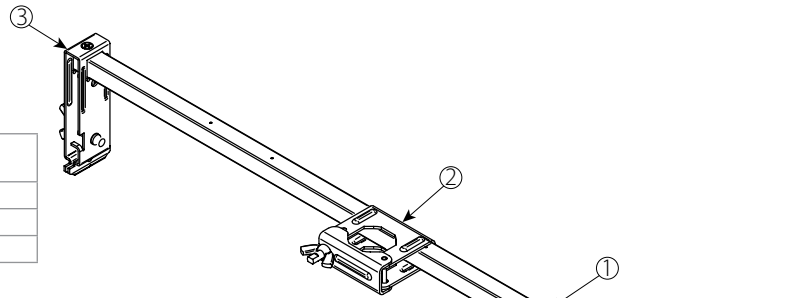


VicFlex Brackets
Style AB7

- Suspended Ceilings
- Hard-Lid Ceilings

Item	Description
1	24"/610mm or 48"/1219mm Square Bar*
2	Patented 1-Bee ² ® Center Bracket
3	End Bracket

*Both sizes FM/VdS approved.

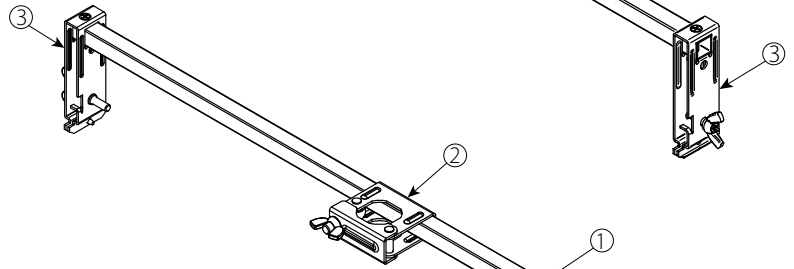


Style AB7 Adjustable

- Suspended Ceilings
- Hard-Lid Ceilings

Item	Description
1	700mm or 1400mm Square Bar*
2	Patented 1-Bee ² ® Center Bracket
3	End Bracket (adjustable)

*Both sizes FM and VDS approved.

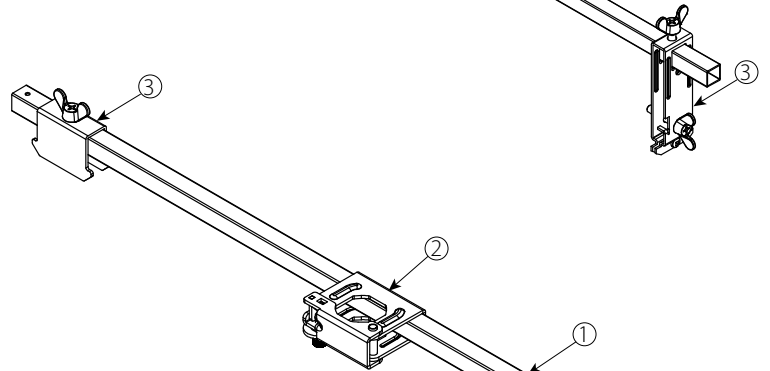


Style AB8

- Hard-Lid Ceilings

Item	Description
1	700mm or 1400mm Square Bar*
2	Patented 1-Bee ² ® Center Bracket
3	End Bracket (adjustable)

*Both sizes FM/VdS approved.

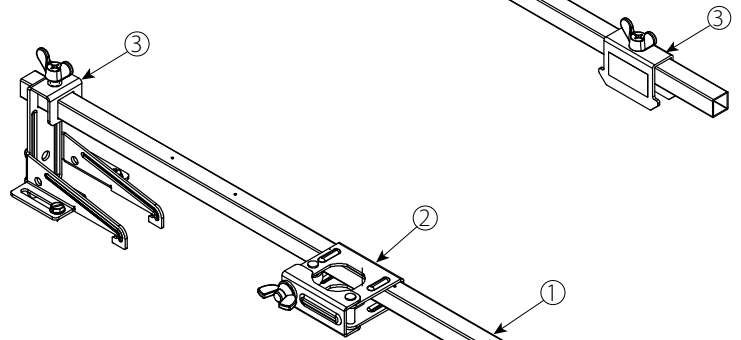


Style AB9

- Hard-Lid ceilings with Hat furring channel grid system

Item	Description
1	24"/610mm or 48"/1219mm Square Bar*
2	Patented 1-Bee ² ® Center Bracket
3	End Bracket for Hat Furring Channel

*Both sizes FM/VdS approved.

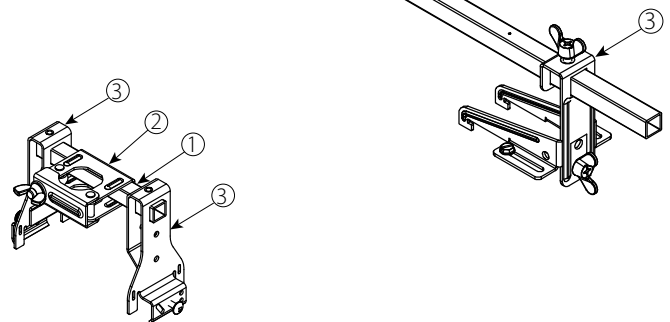


Style AB10

- Suspended ceilings
- Armstrong® TechZone™

Item	Description
1	6"/152mm Square Bar*
2	Patented 1-Bee ² ® Center Bracket
3	End Bracket

*FM/VdS approved, cULus listed.

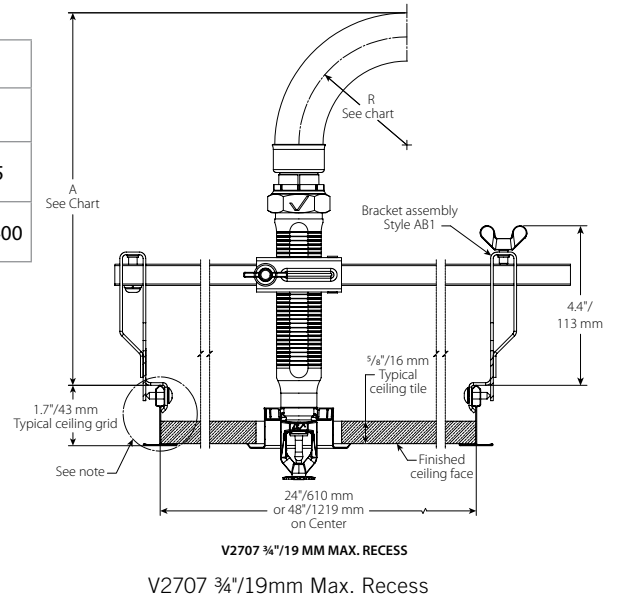


Braided Hose Assembly

Suspended Ceiling Grid with Recessed Sprinkler

- Clearances above ceiling tile at various center-line bend radii

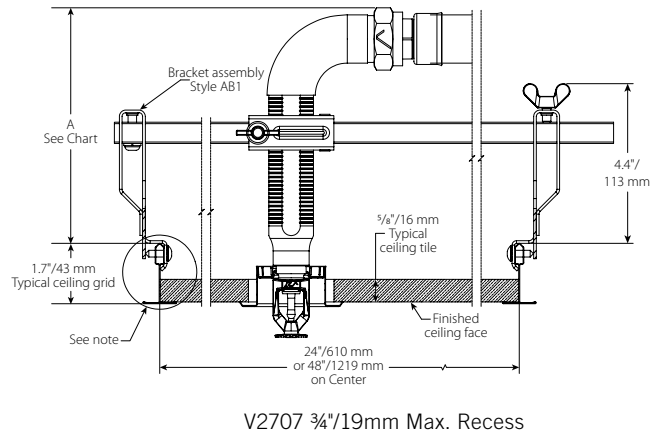
Hose Clearance Chart						
Dimension	inches/mm					
Minimum Bend Radius "R"	2/50	3/80	4/100	5/125	6/150	7/175
Minimum "A"	10.75/273	11.75/298.5	12.75/324	13.75/349	14.75/375	15.75/400



Suspended Ceiling Grid with 90°Elbow (Long)

Hose Clearance Chart		
Dimension		inches/mm
A	Min.	8/200

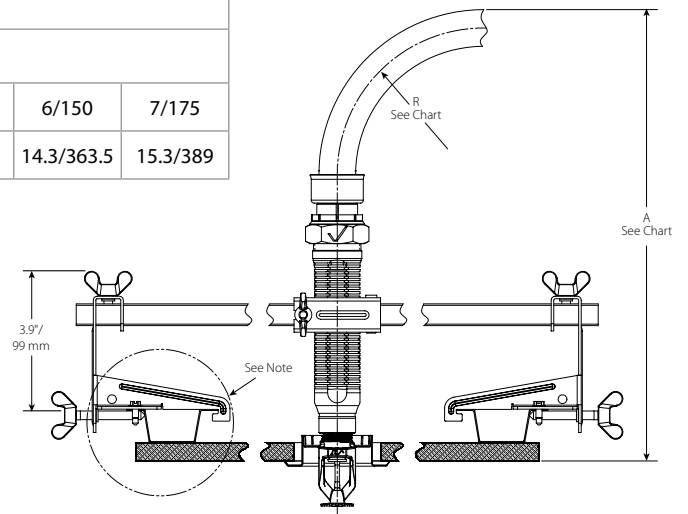
Note: Style AB1 and Series AH2 figures shown. Variations of ceiling grids, sprinkler heads, brackets, and hoses are permitted but may result in clearance differences from the figures above.



Series AQB Braided Hose Assembly

Suspended Ceiling Grid with Hat Furring Channel

Hose Clearance Chart						
Dimension	inches/mm					
Minimum Bend Radius "R"	2/50	3/80	4/100	5/125	6/150	7/175
Minimum "A"	10.3/262	11.3/287	12.3/313	13.3/338	14.3/363.5	15.3/389

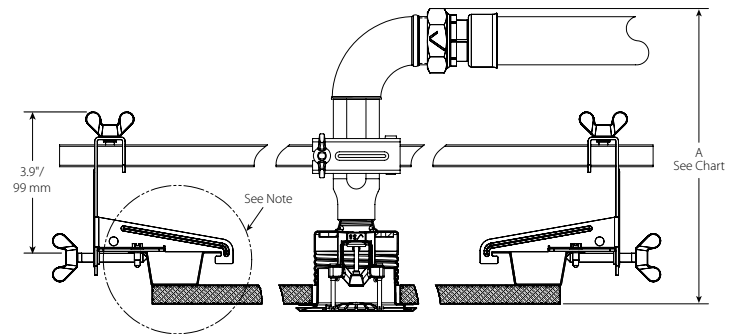


V2708 1/2"/12.7mm Max. Recess

Suspended Ceiling Grid with 90°Elbow (Short)

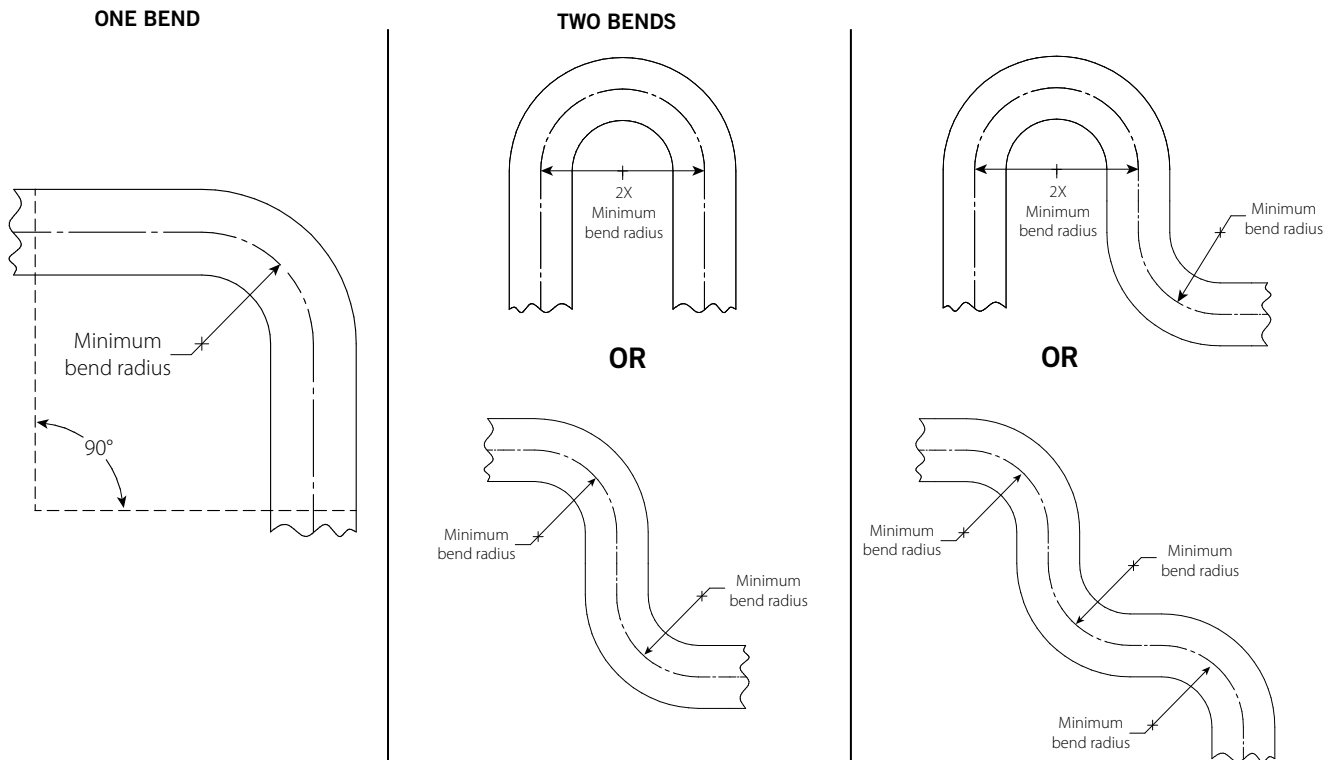
Hose Clearance Chart		
Dimension		inches/mm
A	Min.	8/200

Note: Style AB9 and Series AH2 figures shown. Variations of ceiling grids, sprinkler heads, brackets, and hoses are permitted but may result in clearance differences from the figures above.



V3802 1/2"/12.7mm Max. Recess

Flexible Hose In-Plane Bend Characteristics



Note: For out-of-plane (three-dimensional) bends: care must be taken to avoid imparting torsional stress on the hose

Model Number Correlation

VicFlex™ Designation Series AH4 Hose Assembly	Outlet Size inches	AquaFlex® Designation	
		Series AQB Hose Assembly	Series AFB Hose Assembly
AH4-31	1/2	AQB31HLD	AFB31HLD
	3/4	AQB31TLD	AFB31TLD
AH4-36	1/2	AQB36HLD	AFB36HLD
	3/4	AQB36TLD	AFB36TLD
AH4-48	1/2	AQB48HLD	AFB48HLD
	3/4	AQB48TLD	AFB48TLD
AH4-60	1/2	AQB60HLD	AFB60HLD
	3/4	AQB60TLD	AFB60TLD
AH4-72	1/2	AQB72HLD	AFB72HLD
	3/4	AQB72TLD	AFB72TLD

WARNING

- It is the responsibility of the system designer to verify suitability of 300-series stainless steel flexible hose for use with the intended fluid media within the piping system and external environments.**
- The effect of chemical composition, pH level, operating temperature, chloride level, oxygen level, and flow rate on 300-series stainless steel flexible hose must be evaluated by the material specifier to confirm system life will be acceptable for the intended service.**

Failure to follow these instructions could cause product failure, resulting in serious personal injury and/or property damage.

Installation

Reference should always be made to I-VICFLEX-AB1-AB2-AB10, I-VICFLEX-AB4-AB9, I-VICFLEX-AB7, or I-VICFLEX-AB8 for the product you are installing. Handbooks are included with each shipment of Victaulic products for complete installation and assembly data, and are available in PDF format on our website at www.victaulic.com.

Warranty

Refer to the Warranty section of the current Price List or contact Victaulic for details.

Note

This product shall be manufactured by Victaulic or to Victaulic specifications. All products to be installed in accordance with current Victaulic installation/assembly instructions. Victaulic reserves the right to change product specifications, designs and standard equipment without notice and without incurring obligations.

Trademarks

Victaulic and VicFlex are registered trademarks of Victaulic Company.