



### Standard Features & Accessories

#### All models include

- Capacity—accommodates up to 150 full-size bottles
  - 84"H./24"D.
- **Exclusive** TriTemp™ storage system
  - Three independent temperature zones
  - Settings are adjustable in each zone from 43°F (6.1°C) – 65°F (18.3°C)
  - Electronic control center maintains set temperature within 1.5°F (0.83°C)
- **Exclusive** glass control pad
- Versatile shelving system stores standard, magnum, and half-size bottles
- Two convertible wine shelves adjust to allow for bottle display
- Solid maple wood facings provide additional ultraviolet protection, and may be finished to coordinate with surrounding cabinetry
- Coated wine shelves reduce vibration and hold bottles in place
- Shelves are fully removable for easy cleaning
- Ultraviolet-resistant tempered glass and black interior protect wine from harmful light
- Low-intensity lighting displays wine with minimal heat and light output
- Lower zone with raised wood facings
- High temperature alarm
- Door open alarm
- Home security system connection
- Dual magnet and spring assist door closure mechanism
- Keyed door lock
- Adjustable door stays standard—90°, 110°, or 120°
- Power interruption switch
- Top-mounted and front-venting sealed refrigeration system
- Lower kickplate
- Must be ordered right or left hinge. (As you face unit, RIGHT has hinge on right side and handle on left side; LEFT has hinge on left side and handle on right side.)

### Model Options



**VCWB300**  
Professional

#### FINISH DETAILS FOR VCWB MODEL

- Clear and fluted glass doors
- Stainless Steel (SS)—stainless steel frame around large window door, stainless steel handle with chrome-plated brackets, and black interior.
- Brass Accent Option (BR)—nameplate and handle endcaps. Brass components have a durable protective coating for maintenance-free normal use.



**DDWB301**  
Designer

#### FINISH DETAILS FOR DDWB MODEL

- Clear and fluted glass doors
- Stainless Steel (SS)—stainless steel frame around large window door, stainless steel handle, and black interior.



**DFWB300**  
Custom Panel

#### FINISH DETAILS FOR DFWB MODEL

- Black interior
- Handle not included—opt for custom handle, or purchase a Viking Professional Series or Designer Series handle kit (see **Installation Notes & Accessories**).
- Accepts 3/4"-thick custom panel—no visible trim
- See **Custom Panels** section for more information and additional specifications.

#### ORDERING INSTRUCTIONS

First specify model number. If ordering special fluted or solid door ("F" for fluted or "D" for solid), specify immediately after model number (VCWB300**F**). Next, specify hinge preference ("R" for right or "L" for left), and then color code (VCWB300**FRSS**). If ordering optional brass accent, specify code at end (VCWB300**FRSSBR**).





★ Please see Installation Notes & Accessories for important information, including panel and handle kits.



ALL MODELS  
Star-K Kosher Certification for use on the Jewish Sabbath or Jewish holidays

### Dimensions & Specifications

#### PRODUCT DIMENSIONS



**VCWB300**  
Professional

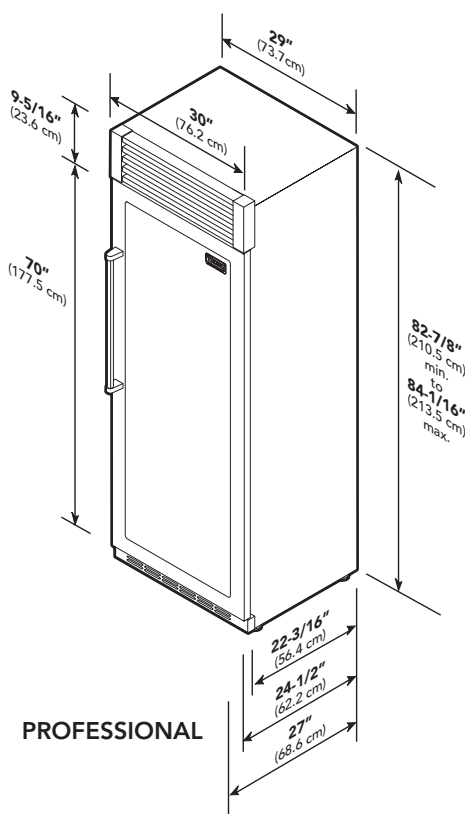


**DDWB301**  
Designer

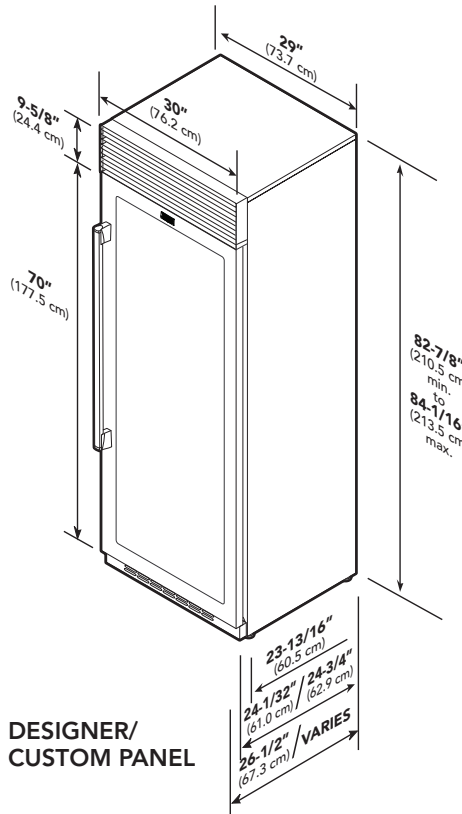


**DFWB300**  
Custom Panel

See Custom Panels section for more information and additional specifications.



**PROFESSIONAL**



**DESIGNER/  
CUSTOM PANEL**

	<b>VCWB300</b>	<b>DDWB301</b>	<b>DFWB300</b>
Overall width		<b>30" (76.2 cm)</b>	
Overall height (from bottom)		<b>82-7/8" (210.5 cm) min. to 84-1/16" (213.5 cm) max.</b>	
Overall depth (from rear)			
To front edge of side trim	22-3/16" (56.4 cm)	23-13/16" (60.5 cm)	23-13/16" (60.5 cm)
To front of top grille	24-1/2" (62.2 cm)	24-1/32" (61.0 cm)	24-3/4" (62.9 cm)
To front of handle	27" (68.6 cm)	26-1/2" (67.3 cm)	Varies
Approx. ship weight		<b>560 lbs. (252.0 kg)</b>	



### Dimensions & Specifications

#### DOOR SWING

- Adjustable door stops standard—90°, 110°, or 120° swing



**VCWB300**  
Professional

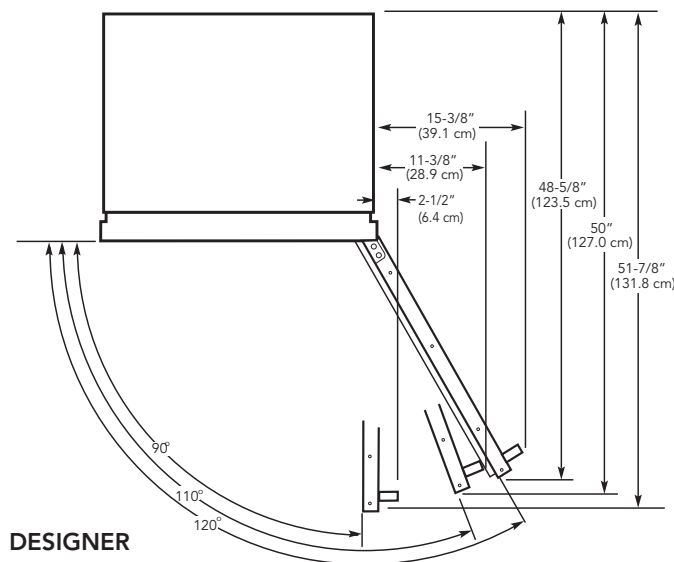
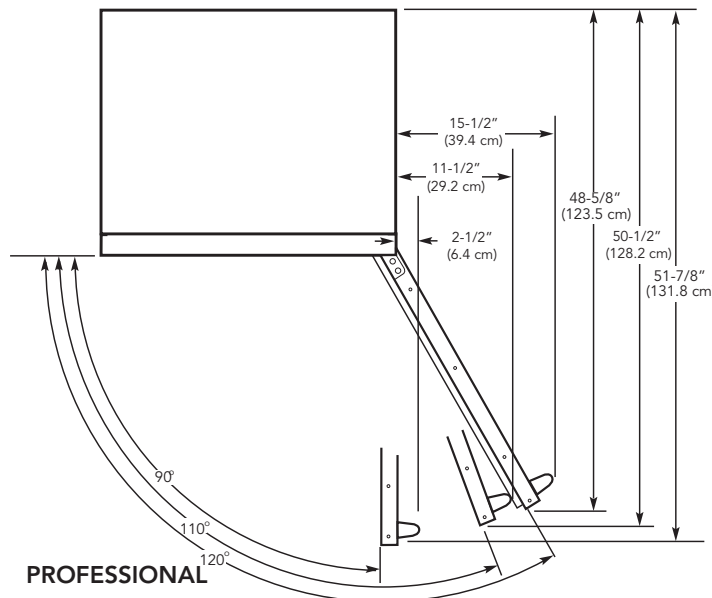


**DDWB301**  
Designer



**DFWB300**  
Custom Panel

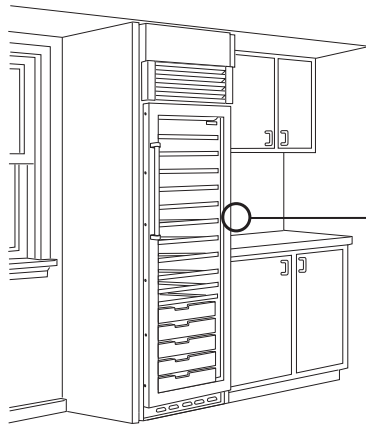
See **Custom Panels** section for more information and additional specifications.



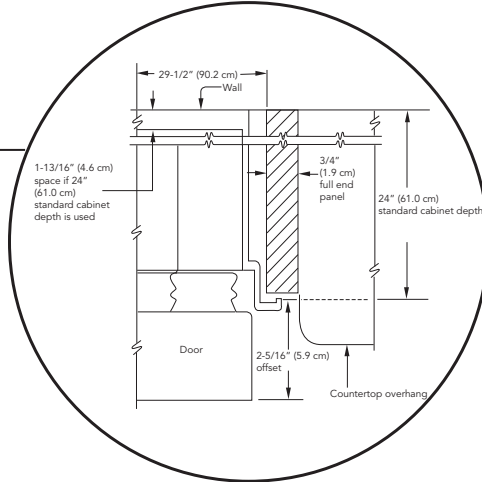


## Dimensions & Specifications

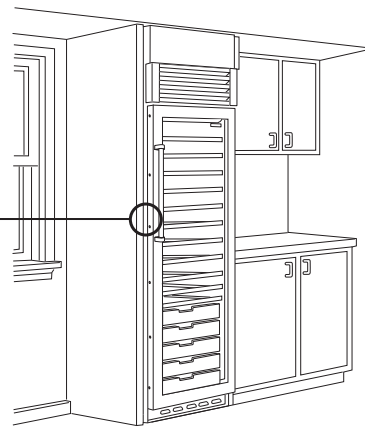
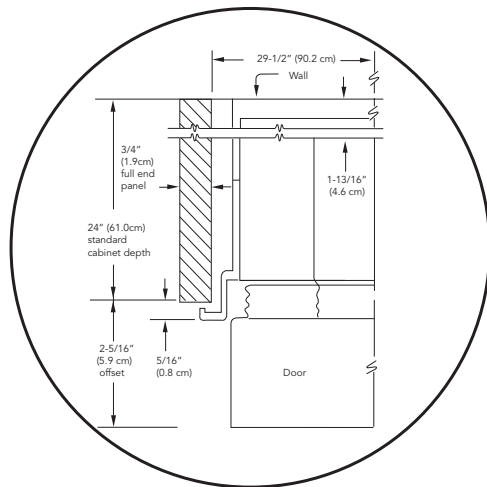
### CLEARANCE DIMENSIONS—PROFESSIONAL



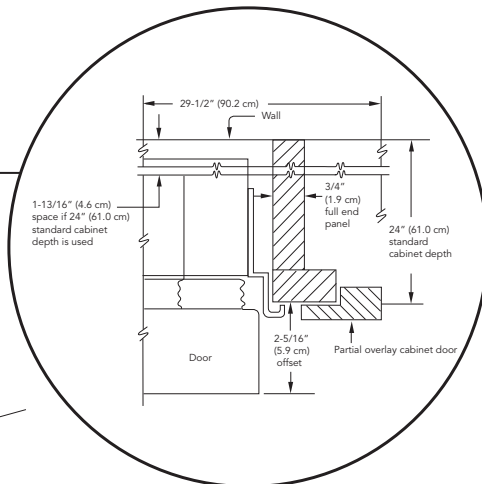
**TOP VIEW**



**TOP VIEW**



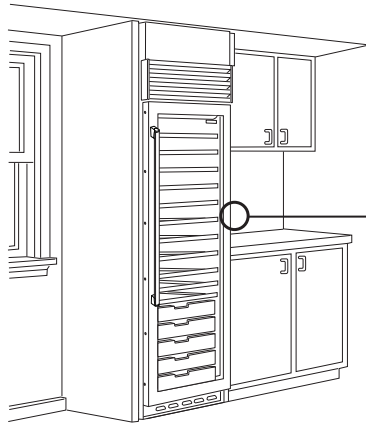
**TOP VIEW**



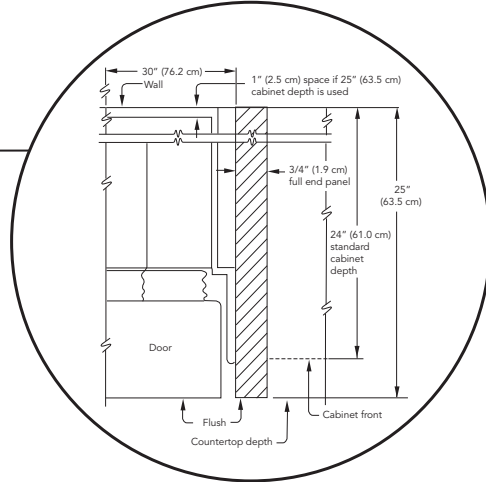


## Dimensions & Specifications

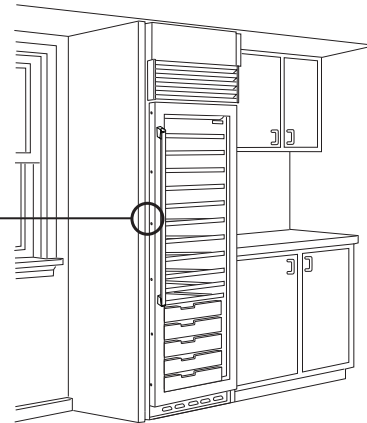
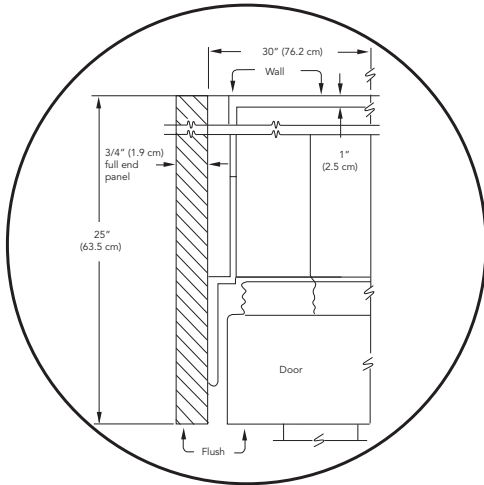
### CLEARANCE DIMENSIONS—DESIGNER



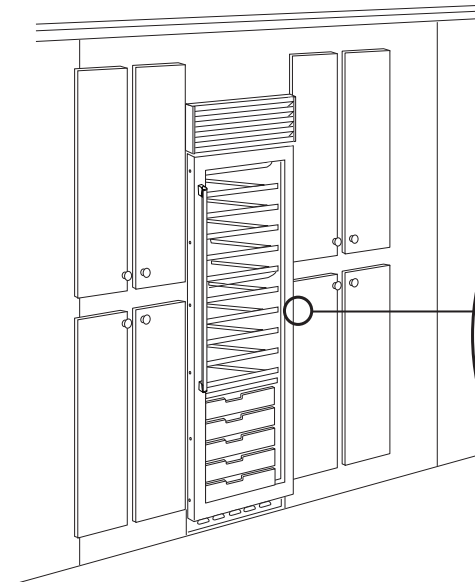
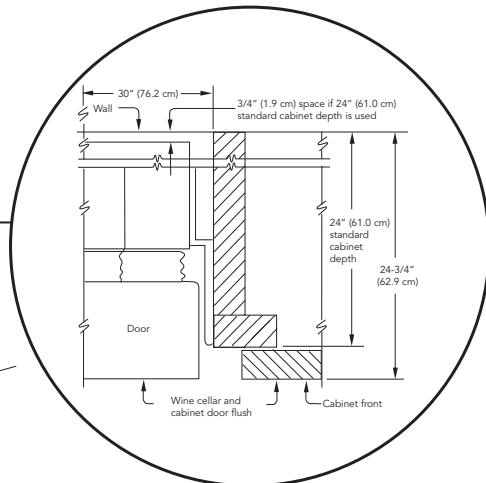
**TOP VIEW**



**TOP VIEW**



**TOP VIEW**





### UTILITY REQUIREMENTS



**GAS**  
Not applicable



- ELECTRICAL**
- Three-wire cord with grounded three-prong plug attached to product
  - 115 VAC/60 Hz; 15 amp dedicated circuit
  - Maximum amp usage—2.0



**PLUMBING**  
Not applicable

## Installation Requirements

### ACCESS REQUIREMENTS



**VCWB300**  
Professional

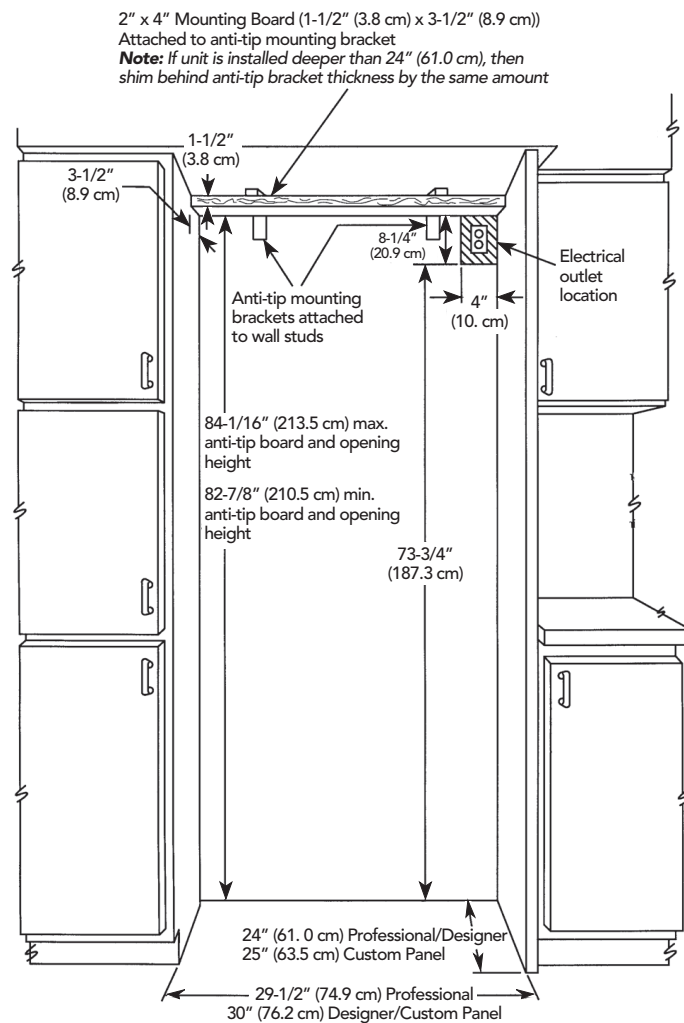


**DDWB301**  
Designer



**DFWB300**  
Custom Panel

See **Custom Panels** section for more information and additional specifications.



	<b>VCWB300</b>	<b>DDWB301</b>	<b>DFWB300</b>
Cutout width	29-1/2" (74.9 cm)	30" (76.2 cm)	30" (76.2 cm)
Cutout height	82-7/8" (210.5 cm) min. to 84-1/16" (213.5 cm) max.		
Cutout depth	24" (61.0 cm)	24" (61.0 cm)	25" (63.5 cm)*

\*Can be installed in 24"-deep (61.0 cm) openings; door faces and top grille will protrude 3/4" (1.9 cm) into room.



## ★ Installation Notes & Accessories

### Side Panel Kits

- Stainless Steel (SS)
- Panels provide finished freestanding look; unit must still be secured to the wall
- Kit includes one panel and installation hardware

Model	Description	Approx. ship wt. lbs. (kg)
PSSPL2	Professional side panel left	45 (20.2)
PSSPR2	Professional side panel right	45 (20.2)
DSSPL2	Designer side panel left	45 (20.2)
DSSPR2	Designer side panel right	45 (20.2)

### Side Panel Hardware Kit

- For use with Designer built-in refrigerator/freezers
- Hardware allows installation of custom side panels
- Kit includes brackets, screws, and installation instructions to mount panels on left and right side

Model	Description	Approx. ship wt. lbs. (kg)
SPHKDS	Side panel hardware	3 (1.4)

### Top Panel Kit

- Stainless Steel (SS)
- Panel provides finished freestanding look; unit must still be secured to the wall
- Kit includes one panel and installation hardware

Model	Description	Approx. ship wt. lbs. (kg)
TOP-30	30"W. top panel	21 (9.5)

### Handle Kits

- For use with custom panel wine cellars
- For use on locally supplied custom panels
- Handles allow wine cellar with custom panels to coordinate with other Professional & Designer products
- Kit includes one handle and installation hardware

Model	Description	Approx. ship wt. lbs. (kg)
PHK28-SS	Professional handle (Stainless Steel)	7 (3.2)
DDHK41-SS	Designer handle (Stainless Steel)	7 (3.2)

### Compliance Information



### WARRANTY SUMMARY\*

- Two-year full warranty—complete unit
- Six-year full warranty—sealed refrigeration system (includes compressor, condenser, dryer/strainer, evaporator, and connecting tubing)
- Twelve-year limited warranty—sealed refrigeration system
- Ninety-day limited warranty—cosmetic parts such as glass, painted items, and decorative items

\*For complete warranty see *Use & Care Guide*. Warranty valid on Viking products shipped within the United States and Canada.

