

element™

AIR + STEAM HUMIDIFIER

MODEL ELEMENT SA



we expect  
this product  
to be **PERFECT**

if it's not,  
**WE** will make  
it right

vornado.com  
800.234.0604  
help@vornado.com

# CONTENTS

Important Safety Instructions .....	3
Getting Started .....	6
Features .....	8
Controls.....	10
How to Use .....	12
Cleaning .....	16
Mineral Build-Up .....	21
Troubleshooting .....	23
Warranty.....	26

# READ AND SAVE THESE INSTRUCTIONS

## IMPORTANT SAFETY INSTRUCTIONS

This owner's guide and any additional inserts are considered part of the product. They contain important information about safety, use and disposal. Before using the product, please familiarize yourself with all operating and safety instructions. Please keep all documents for future reference and pass these documents on, together with the product, to any future owner. See our website to view, download and print the most current version of this owner's guide.

**INTENDED USE:** This product is intended to humidify and circulate the air in indoor living spaces only in the United States and Canada. This product is not intended for commercial or industrial use. The manufacturer assumes no responsibility for damage or injury due to unauthorized use or product modification. Failure to follow these directions will void the product warranty.

### **WARNING: Risk to Children and Impaired Persons**

- Supervision is required during the installation, operation, cleaning and maintenance of this product by children under age 12 and anyone with reduced physical, sensory or mental capabilities. Children should be supervised to ensure that they do not play with the appliance, its parts and packaging material.

### **INSTALLATION WARNING—To reduce risk of fire, electrical shock and injury to persons, observe the following:**

- No part of this product (the appliance, power cord, plug, packaging, etc.) should be placed near furnaces, fireplaces, stoves or other high temperature heat sources. Do not use in a window, on an uneven or unstable surface, or near water.
- The appliance, power supply, power cord and plug cannot come into contact with water. Do not use this product on wet surfaces. Do not use this product in a bathtub or shower or position product where it may fall into a bathtub, laundry, swimming pool or other water container. Do not use this product outdoors or expose it to weather or elements.
- Do not run cord under carpeting. Do not cover cord with throw rugs, runners, or similar coverings. Do not route under furniture or appliances. Arrange cord away from traffic area and where it will not be tripped over. The cord should not hang over edges of counters or be placed where it can be crimped or closed in doors. Place appliance near an easily accessible outlet so the product can be unplugged quickly during an emergency.

**SAFE USE WARNING—To reduce risk of fire, electrical shock and injury to persons, observe the following:**

- **WARNING:** To reduce likelihood of circuit overload, fire and electric shock, do not operate with a solid state speed device, such as a dimmer control switch.
- Do not operate unit if the unit has been dropped or damaged. Do not use this product if it has a damaged power cord or plug. To avoid risk of electrical shock, do not attempt to repair or replace parts. Only original replacement parts may be used. If the power cord is damaged, it must be replaced by the manufacturer, its service agent, or similarly qualified persons in order to avoid a hazard. Contact Vornado Consumer Service at 1-800-234-0604 (phone) or consumerservice@vornado.com (email) for further instructions about replacement and repair.
- Risk of fire. Your appliance may be equipped with a detachable power supply or a cord/plug with a safety device such as a fuse. Use only the power cord and plug provided.
- Before plugging power cord into electrical outlet, be sure that all electrical information on the rating label, including voltage, is compatible with your outlet's power supply.
- Never use the cord as a handle or otherwise yank, strain or stretch the power cord.
- While the product is plugged in, do not insert or allow foreign objects to enter any input or output opening as this may cause risk of electric shock or fire, or damage the product.
- A loose fit between wall outlet (receptacle) and plug may cause overheating and distortion of the plug. Discontinue use of the product in this outlet. Contact a qualified electrician to replace loose or worn outlets.
- This appliance has a polarized plug (one blade is wider than the other.) To reduce the risk of electrical shock, this plug is intended to fit in a polarized outlet only one way. If the plug does not fit fully in the outlet, reverse the plug. If it still does not fit, contact a qualified electrician. Do not attempt to defeat this safety feature.
- The product may be hot when in use. To avoid burns, do not let bare skin touch hot surfaces. Always allow appliance to cool at least 30 minutes before moving, refilling or emptying it. Empty all water and dry unit before storing.
- Before filling with water, moving, repositioning, servicing, cleaning and when not in use, use the product controls to turn off the power and then unplug. To disconnect from outlet, grasp and pull only the plug. Also, power off and unplug if the product will be left unattended for an extended period of time or during electrical storms.
- Electric shock can occur when liquid comes in contact with electricity. Be careful when removing the water tank and refilling to avoid electric shock. Do not pour water through the top Outlet Air Grill on the power head.
- Turn the humidifier off if the relative humidity exceeds 60%. Humidity levels above 60% may allow

moisture to build up indoors and condense on surfaces, where microorganisms can settle and grow. For accurate readings, use a hygrometer which is available at most hardware stores and home centers.

**SERVICING WARNING—To reduce risk of fire, electrical shock and injury to persons, observe the following:**

- Clean your product regularly, only as is instructed in this manual. Prior to cleaning, turn off the power on your product and unplug. Do not use gasoline, thinners, solvents, ammonias or other chemicals for cleaning. Refer to the CLEANING instructions provided.
- Do not open appliance housing while product is plugged in. To avoid risk of shock, all service and/or repairs must be done by a Vornado Authorized Service Center.
- Protect against the growth of mold, mildew and other microorganisms by emptying the water tank immediately after each use. If water is left in the tank for longer than 8 hours, thoroughly clean and disinfect the unit as described in the section of this Owner's Guide referenced as "CLEANING".

**DISPOSAL WARNING**

**To reduce waste and environmental harm, observe the following:**



**PACKAGE RECYCLING:** The packaging protects the appliance from transport damage. The packaging materials are selected from the point of view of their environmental friendliness and disposal technology and are therefore recyclable. Dispose of all packaging materials in an environmentally responsible manner.

**FCC Consumer Advisement**

This equipment may generate, use and/or radiate radio frequency energy that may cause harmful interference to radio communications. If this equipment does cause harmful interference to radio or television reception, which can be determined by turning the equipment off and on, the user is encouraged to contact Vornado Consumer Service at 1-800-234-0604. Changes or modifications to this unit not expressly approved by the party responsible for compliance could void the user's authority to operate the equipment.

# GETTING STARTED

Before operating, **ALWAYS** lift from the bottom by using the handles located on the base. Lifting the water tank handle on the water tank will cause the tank to detach from the humidifier.

Check appliance for visible damage. **DO NOT USE** if there is evidence of damage. If any damage is found, contact Vornado Air, LLC at 1-800-234-0604.

**CAUTION:** When removing water tank lift vertically, do not twist tank while still in base or cap may disengage and leak.

**WARNING:** To avoid overfilling the base, remove the water tank before the power head to avoid water displacement.



## CHECK FOR LEAKS

Damage due to shipping may cause leaks in base or water tank. A visual inspection may not reveal hairline fractures.

1. Place humidifier on a water-resistant surface.
2. Fill water tank with water to inspect for leaks.
3. Pour several cups of water into base to inspect for leaks.

### Not Leaking?

Empty water from base and install full water tank.

### Leaking?

In the slight chance your humidifier has leaks, contact Consumer Service and we will immediately replace damaged parts.

Note: Be gentle handling water tank when refilling to prevent any damage.



# SimpleTank™ System

Easy to carry, fill and install. Clearly better.



After filling the water tank, ensure the Cap is fully tightened before you replace it in the humidifier. Ensure gasket, the rubber ring around the Water Tank, is properly positioned. Insert the Cap into the grooves of the tank and turn clockwise until tightened. When Cap is fully tightened the arrows on the tank will align with the indicator lines on the Cap.

# FEATURES

- 1 SIMPLETANK™ SYSTEM**  
This water tank is easy to carry, fill, install, clean and view water level. 0.75-gallon capacity.
- 2 OUTLET GRILL**  
Emits humidity throughout the whole room.
- 3 BUILT-IN AROMATHERAPY SCENT CUP**  
Aromatherapy ready; just add essential oils.
- 4 POWER HEAD**
- 5 CARRY HANDLES**  
Integrated handles on sides of base for lifting and carrying.
- 6 BASE**  
Durable and easy to clean.



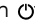

# CONTROLS

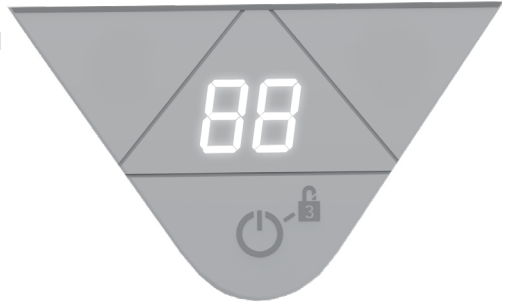
- 1 POWER ON/OFF/CONTROL LOCK**  
Turn the humidifier On/Off. Lock in desired settings.
- 2 HUMIDITY**  
Control humidity level at 30%–70%.
- 3 STEAM TEMPERATURE SETTINGS**  
Customize your steam experience with cool, warm or hot steam settings.
- 4 DIGITAL DISPLAY**  
Easy-to-use touch controls.
- 5 STEAM SETTING INDICATOR**  
Color indicator illuminates steam setting:  
Cool steam (purple), warm steam (pink) and hot steam (orange-red).




# HOW TO USE

## CONTROLS

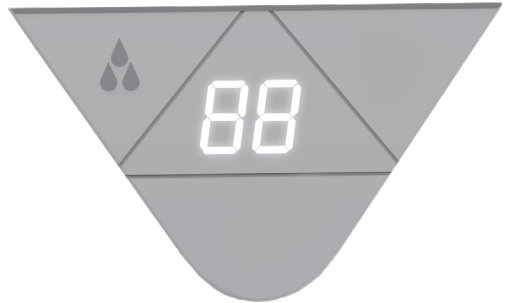
1. Touch  to power on. All control panel LED's will illuminate white to indicate the unit is powered on. When the humidifier is powered off, only  will illuminate white.




2. Set humidity level by touching . The humidity settings will increase in increments of 5%. Once set humidity is reached, Element will turn off until the humidity level drops below the selected setting.



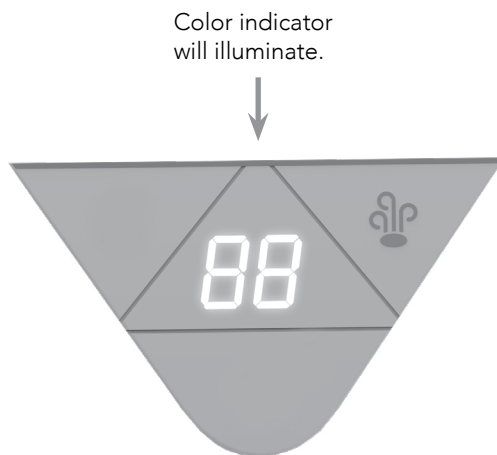
The humidifier will evaporate 4 gallons of water (+/- 10%) in 24 hours of continuous operation. (This assumes room conditions of 70° F and 30% relative humidity.)



3. Touch  to select desired steam setting. A color indicator will illuminate for cool steam (purple), warm steam (pink) and hot steam (orange-red).

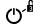
Depending on selected steam setting, the temperature of the mist at the outlet grill may be hot.

**WARNING! After using the humidifier, if you disassemble the unit for any reason the boil chamber will contain hot water! The heat element will also be extremely HOT! Cool down at least 30 minutes before touching these components.**



# HOW TO USE

## CONTROL LOCK

Element features an option to lock in your desired settings during operation. To lock press and hold  for 3 seconds, then repeat to unlock. All control panel LED's will flash 1 time to indicate it is locked, 2 times when unlocked and attention code **LC** will also flash.

While this feature is engaged you will not be able to change the settings or power off. If you try to change settings while locked, the control panel LED's will flash 3 times and attention code **LC** will also flash.

When the humidifier is powered off you may still use the control lock feature. Follow the instructions above to lock and unlock. The control panel will flash **LC** 1 time to indicate the controls are locked, 2 times when unlocked and 3 times when the controls are locked and you attempt to change the settings.

If Element is unplugged while locked, the lock setting will not be saved.

## BUILT-IN AROMATHERAPY SCENT CUP



Element is aromatherapy ready; just add your favorite essential oils. The steam will heat the oil and the fragrances will be released via evaporation ensuring the therapeutic properties are not damaged or altered. Follow the essential oils usage instructions as directed. Clean the integrated scent cup and removable lid periodically even if using the same oil repeatedly. If using different blends or fragrances, clean between each use. **Do not overfill the scent cup or put any oils directly into the water tank, outlet grill or base. Avoid transferring oils to the control panel as decolorization or a reaction to the surface may occur.**



## ATTENTION CODES



**A1:** Power head is not attached to the base. If you detach the power head while the humidifier is running, or if power head is not properly attached to the base, the humidifier will power off. Control panel LED's flash and display A1. Power button illuminates orange until power head is attached and aligned with the base correctly and Element is powered back on.



**CH:** When the water tank runs out of water, a "CH" auto refill notification code will flash for 5 seconds on the control panel every 15 seconds until the tank is refilled. Once water is added "CH" code will clear after a short period of time. Unit does not need to be powered on as it will automatically resume operation once water is added. Note: When tank is out of water, there will be no visible steam.



**CL:** When the heat element has accumulated mineral scale and cleaning is needed, a "CL" cleaning notification code will flash for 5 seconds on the control panel every 15 seconds until cleaned. Once clean, "CL" code will clear. The unit will continue running and will not turn off due to "CL" code. Note: If the unit is used for an extended period of time after being notified of "CL" code but still has not been cleaned, a decrease in visible steam plume may be noticeable. This indicates diminished performance.

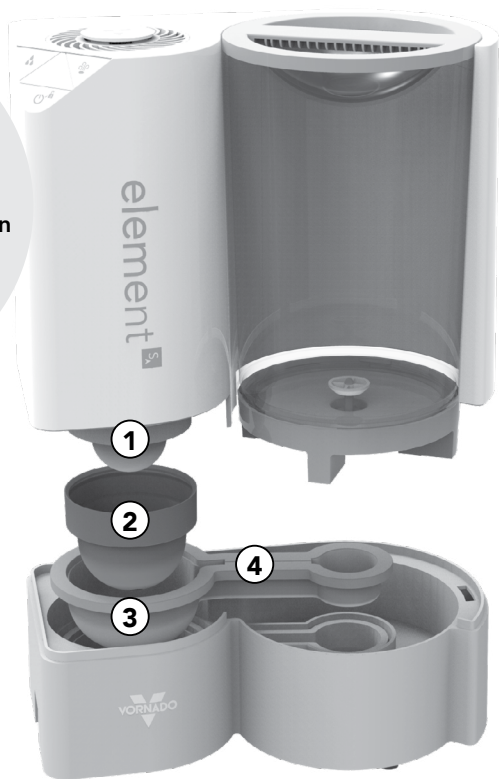
# CLEANING

Proper cleaning is essential to the air quality and performance of your humidifier. The frequency in which your humidifier will need to be cleaned will vary depending on use, water hardness and outside environmental factors. It is recommended to thoroughly clean the unit once a week or when Attention Code "CL" appears on control panel.

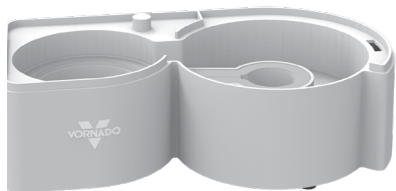
- 1 HEAT ELEMENT**  
Heats water in boil chamber to generate steam.
- 2 HEAT ELEMENT COVER**  
Silicone cover seals steam compartment and provides protection for heat element.
- 3 BOIL CHAMBER**  
Silicone chamber holds water heated by heat element.
- 4 RESERVOIR**  
Silicone reservoir feeds water from water tank to boil chamber.

### GENERAL CLEANING:

To clean the exterior of the humidifier, wipe down with a soft, damp cloth. **Do not submerge power head in water.** Clean the grill with a soft, damp cloth or with a can of compressed air.



# CLEANING



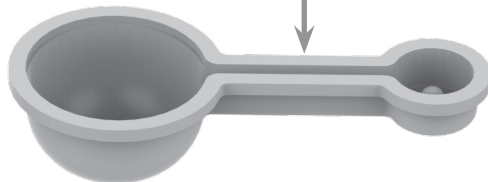
## CLEAN SCENT CUP & LID:

Clean with warm water and a mild detergent. Rinse and dry with a clean cloth or paper towel. Clean the scent cup and lid periodically even if using the same oil repeatedly.

If using different blends or fragrances, clean between each use.



The silicone parts are dishwasher safe (place on the top rack of dishwasher only). Warm water and a mild detergent may also be used for cleaning these parts.



The water tank and base are not dishwasher safe. Do not use gasoline, thinners, solvents or other chemicals for cleaning.

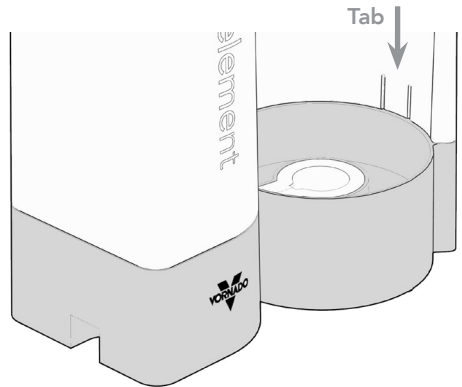
## CLEANING THE BASE

1. Turn humidifier off and unplug.

**Note:** Be sure you are near a sink or an area that will not be damaged by water. Excess water will flush from heat element cover when disassembling.

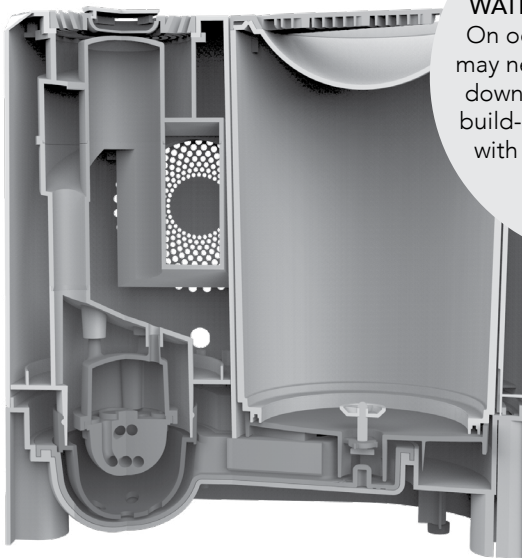
2. Disassemble humidifier:
  - Remove water tank first.
  - Remove power head by pushing in on the tab and lifting up. The tab is located on the right side of the housing where it meets the base.
  - Remove all silicone parts. **WARNING: Do not grasp outlet grill while removing power head, it may be hot.**
3. Clean base and silicone parts with warm water and a mild detergent. Rinse and dry.

4. Reassemble humidifier:
  - Ensure the silicone parts are back in place.
  - WARNING: Do not run humidifier without the silicone parts.**
  - Position power head so it is aligned with the base. Insert the tab into the slot in the base until it latches.
  - Replace water tank and resume operation.





Let humidifier dry completely before storing. Do not store with water inside water tank, base or around the heat element.



**WATER TANK IMPURITIES:**  
On occasion the water tank may need to be gently wiped down or cleaned to remove build-up of impurities. Clean with a mild detergent and cool water.



If the humidifier is turned off with water in base for 8 hours or longer, or if humidifier is not cleaned as recommended, you may experience some growth of algae or bacteria. These microorganisms may become airborne.

# MINERAL BUILD-UP

The best way to minimize mineral build-up is to use distilled or de-mineralized water when using your Element Steam Humidifier. It is recommended the heat element and silicone parts be cleaned weekly or when Attention Code "CL" appears on control panel in order to remove any deposits that form. This will help to extend the life of the product and keep it functioning at its maximum potential.



**Note:** Do not use hard brushes, steel wool or other abrasives on heat element to avoid damage.

**WARNING:** Allow unit to cool (30 minutes for complete cooling) before cleaning heat element. Do not allow heat element to touch other objects as it cools.

## REMOVE MINERAL BUILD-UP

The Element Steam Humidifier includes a packet of Vornado Cleaner & Descaler (placed inside of the owner's guide). Consisting of citric acid, this agent is used to loosen and remove mineral build-up on the heat element. It is easy-to-use and safe for all Vornado Steam Humidifiers.

1. Turn off humidifier, unplug and let cool before cleaning. Do not run unit at any time during the cleaning process. Disassemble humidifier as outlined in CLEANING.
2. Empty any water in base and silicone boil chamber & reservoir.
3. Combine granules from the cleaning packet and mix with 6 oz. of water in a measuring cup (not included) until completely dissolved. Pour mixture into the silicone boil chamber and

reservoir in base. If using more than 6 oz. of water, some will flow into the base. This will not hurt base but it is not needed.

4. Set power head on base and attach (without silicone heat element cover attached). This will submerge heat element directly into the mixture. Soak for 30 minutes to an hour or longer depending on amount of build-up. You may scrub the heat element with a soft bristle brush as particles begin to loosen. Avoid hard brushes or steel wool as they can damage the heat element.

5. Once clean, thoroughly rinse base, silicone parts and heat element with cool tap water to ensure all residue is gone before using.

**NOTE:** Undiluted white vinegar may also be used for cleaning the heat element, however, citric acid is recommended.

For replacement packets (MD1-0037), call Vornado Consumer Service at 800-234-0604.



**Cleaner & Descaler**  
for Vornado Steam Humidifiers and Steamers

Use to dissolve and remove mineral buildup for all Vornado steam humidifiers and steamers. For detailed cleaning instructions and recommended frequency for cleaning which varies by model, refer to the owner's manual. For replacement packets contact Vornado Consumer Service at 800-234-0604 and reference Part # MD1-0037.

**WARNING:** Harmful if swallowed. Irritating to eyes and skin. Keep out of reach of children and pets. Do not breath dust. After contact with skin, rinse affected area immediately with plenty of water. In case of contact with eyes, rinse immediately with plenty of water and seek medical advice. If swallowed, seek medical advice immediately and show this label. Ingredients: Citric acid.

1 oz (28g)  
Made in China



# TROUBLESHOOTING

## PROBLEM

## POSSIBLE CAUSE AND SOLUTION

Unit fails to power on.

Unit is not plugged in. Plug power cord into electrical outlet.

Household circuit breaker/ground fault circuit interrupter has tripped or blown fuse. Reset circuit breaker/ground fault circuit interrupter, or replace fuse. For assistance, contact licensed electrician.

Unit is damaged or in need of repair. Cease usage and unplug. Contact Consumer Service for assistance.

If unit is sitting on a metal cabinet or surface, interference can occur with the permanently affixed magnet located on the base. Do not place unit on metal surfaces during operation.

Unit emits a slight buzzing when plugged in before powering unit on.

This is normal and is power being provided to the unit.

Unit makes bubbling or gurgling sound.

This is normal. Water is being dispensed into base. You may periodically see bubbles in the tank, which is normal. This is the water tank feeding water from the reservoir to the boil chamber.

## PROBLEM

Unit is not producing desired amount of humidity.

## POSSIBLE CAUSE AND SOLUTION

Water level in tank is empty or too low. Refill tank with clean, cool water.

Unit has reached its set point. When set humidity level is reached, the fan and heat element will turn off until humidity level in room drops below humidity set point.

Airflow is blocked. Remove obstruction.

Unit settings are too low. Set to hot steam setting for maximum humidity output.

Unit is not emitting steam.

The water tank has run out of water and "CH" code is flashing on control panel. Refill tank with clean, cool water.

Unit's internal thermostat is turning heat element off and on (cycling) to ensure proper operating conditions. Cycling can occur if heat element needs cleaning. The heat element may turn off for approximately 30-45 seconds before turning back on. While heat element is off unit may not emit steam. "CL" code will flash on control panel. Clean heat element and resume operation. See CLEANING.

Unit has a decrease in visible steam plume.

Mineral scale has accumulated on heat element and "CL" code is flashing on control panel. Clean heat element and resume operation. See CLEANING.

## PROBLEM

## POSSIBLE CAUSE AND SOLUTION

My unit has accumulated mineral scale. How do I remove it?

See MINERAL BUILD-UP for best practices on how to remove.

Attention Code LC

Unit is locked and settings can't be changed. See HOW TO USE – CONTROL LOCK.

Attention Code A1

Power head is not attached to the base; does not have proper power connection. See HOW TO USE – ATTENTION CODES.

Attention Code A3

Unit has malfunctioned and will no longer operate. Contact Vornado Consumer Service toll-free at 800.234.0604.

Attention Code CH

When the water tank runs out of water, "CH" code will flash on the control panel until the tank is refilled. Once water is added, "CH" code clears and unit continues normal operation. See HOW TO USE – ATTENTION CODES.

Attention Code CL

When the heat element has accumulated mineral scale and cleaning is needed, "CL" code will flash on the control panel until cleaned. Once clean, "CL" code will clear. See HOW TO USE – ATTENTION CODES.



# WARRANTY

We expect this product to be perfect. If you're not satisfied with this product, let us know.

**We're Here to Help**  
**800.234.0604**  
**vornado.com**  
**help@vornado.com**

Vornado Air LLC ("Vornado") warrants to the original consumer or purchaser this Vornado® Element Steam Humidifier ("Product") is free from defects in material or workmanship for a period of five (5) years from the date of purchase. If any such defect is discovered within the warranty period, Vornado, at its discretion, will repair or replace the Product at no cost.

### **For warranty or repair service:**

Call 1-800-234-0604 or email [help@vornado.com](mailto:help@vornado.com) to obtain a Return Authorization ("RA") form. Please have or include your Product's model number and serial number, as well as your name, address, city, state, Zip code and phone number when contacting Vornado for warranty service.

### **After receiving the RA form, ship your Product to:**

Vornado Air LLC Attn: Warranty & Repair 415 East 13th Street, Andover, KS 67002. For your convenience, please have your model number and serial number when contacting Vornado with service inquiries. To ensure proper handling, packages must be clearly marked with the RA number. Packages not clearly marked with the RA number may be refused at the receiving dock. Please allow 1–2 weeks for repair and return of your Product after the Product is received.

Repairs not covered by the warranty or outside the warranty period will require a fee to cover the cost of materials, labor, handling and shipping.

This warranty does not apply to defects resulting from abuse of the Product, modification, alteration, mishandling, improper maintenance, commercial use or repair or service of the Product by anyone other than Vornado; damages which occur in shipment or are attributed to acts of God. Improper product use, which includes using an external device that alters or

converts the voltage or frequency of electricity, or shipping a Vornado product to a country not intended for use will void all warranties. Any unauthorized product modification, repair by unauthorized repair center or use of non-approved replacement parts is not recommended and any consequences will not be covered by support services or product warranties. The product warranty will be honored only on models that are being used in the country intended. REPAIR OR REPLACEMENT AS PROVIDED UNDER THIS WARRANTY IS THE EXCLUSIVE REMEDY OF THE CONSUMER. VORNADO SHALL NOT BE LIABLE FOR ANY INCIDENTAL OR CONSEQUENTIAL DAMAGES FOR BREACH OF ANY EXPRESS OR IMPLIED WARRANTY ON THIS PRODUCT. EXCEPT TO THE EXTENT PROHIBITED BY APPLICABLE LAW, ANY IMPLIED WARRANTY OF MERCHANTABILITY OR FITNESS FOR A PARTICULAR PURPOSE ON THIS PRODUCT IS LIMITED IN DURATION TO THE DURATION OF THIS WARRANTY. Some states do not allow the exclusion or limitation of incidental or consequential damages, or allow limitations on how long an implied warranty lasts, so the above limitations or exclusions may not apply to you. This warranty gives you specific legal rights, and you may have other rights that vary from state to state. The manufacturer assumes no responsibility for damage or injury caused by failure to follow these instructions, improper product use or unauthorized product modifications. Any such actions will invalidate the product warranty.

All company names and product names are trademarks of their respective owners. ©All rights reserved. All technical information, data and instructions for the installation, connection and operation contained in these instructions for use correspond to the latest available information at time of printing. The contents of this manual may differ slightly from the actual product. Observe any additional supplements.



Designed, engineered and supported in USA.

© 2021 Vornado Air LLC Andover, KS 67002 U.S. Patent pending. Specifications subject to change without notice. Vornado® is a trademark owned by Vornado Air LLC.



vornado.com