

# WÜRTH

# KITCHEN AND BEDROOM WORKSHOP



**OVER 20,000  
PRODUCTS**

**ONLINE-SHOP**  
[www.wurth.ie](http://www.wurth.ie)



# WÜRTH ONLINE

## REGISTER TODAY AND AVAIL OF THE FOLLOWING BENEFITS:



### Over 20,000 Products:

Get access to over 20,000 products at your fingertips. Check stock, place orders or just browse through our range, wherever and whenever you want.



### Quick Delivery:

Our express delivery service ensures quick delivery direct to your doorstep. With our door to door delivery service no job will ever be delayed again.



### Favourites and Order Templates:

Frequently used products can be saved for quick access in your own favourites list or in your own order template.



### Special Offers:

All current promotional offers and our latest products at attractive prices that you can easily order on your tablet, laptop or smartphone.



### Invoices:

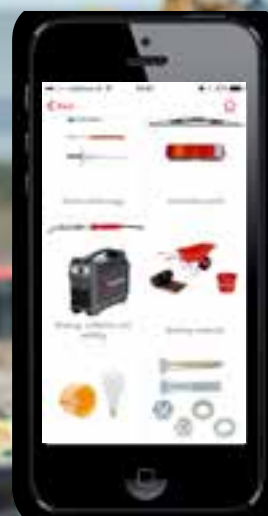
Download our offers and brochures as PDF's. Store invoices and orders in one easy to use location.



### 24/7 Ordering:

Our Online shop never closes, so you can view information and place orders around the clock, every day of the week.

## NEW MOBILE APP YOUR FASTEST WAY TO ORDER



### Order and Pick up – Click & Collect

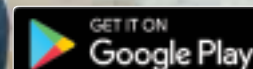
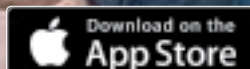
**Order in 60 seconds  
Pick it up in 60  
minutes**

From now on you can order quick and easy via the Würth App and pick it up 60 minutes later in a branch office of your choice.



**GO  
ONLINE**

**WWW.WURTH.IE  
ONLINE ORDERING**



# **PRE-ASSEMBLY AND SAFETY PRODUCTS**





**8m Tape Measure Metric / Imperial**

- Plastic housing
- Tape stop
- Extremely robust

P.Qty. 1

**Art.No.071464 567**



**Circular Saw Blade**

- For the construction site; makes clean cuts in the widest variety of materials

P.Qty. 1

**Art. No. 0611621 ...**



**Carpenter's Pencil**

- With flat lead
- Oval, pre sharpened

P.Qty. 6

**Art.No. 071564 01**

**NEW**



**Woodslide**

- For neutralising resin
- Neutralises resin - Prevents sticking and smearing with chips or wood dust.
- Cleaning effect - Cleans adjustment wheels, hand spindles and dimensional stops - Prevents corrosion, Ideal for use on bare machine tables, Displaces moisture
- Silicone and wax-free

**Notice**

**Woodslide must not be applied directly to the workpiece surface. Test product first for use on painted parts.**

P.Qty. 1

**Art.No. 0893070 - 5Ltr**

**Art.no.: 08930705 - 500ml**





**Disposable Breathing Mask FFP2 Cm 3000 With Valve**

- Complete protection and comfortable to wear thanks to special, soft filter materials
- Exhalation valve ensures a pleasant microclimate inside the mask
- Low breathing resistance
- Optimum fit and seal thanks to
- Pre-moulded design
- Nosepiece for a better grip
- Half-height sealing lip in the nose area
- Looped-through cotton head strap
- Use together with Würth safety glasses for optimum protection

P.Qty. 1

**Art.No. 0899110503**



**Disposable Masks**

- Ergonomic, cone shaped disposable ear plugs for use in extremely noisy environments
- Excellent voice recognition
- Very comfortable

P.Qty. 1

**Art.No. 0899132**



P.Qty. 100

**Ear Plugs x-100 Corded 37 dB Art.No. 0899300332**

- Ergonomic, cone shaped disposable ear plugs for use in extremely noisy environments
- Excellent voice recognition
- Very comfortable

P.Qty. 200

**Art.No. 0899300336**



**Exor Safety Glasses Clear**

- Provide a 180° field of vision
- Exceptionally light and comfortable
- Includes adjustable neck band

P.Qty. 1

**Art.No. 089910740**



**Eye Rinse Solution 500ml**

- As per DIN EN 15154-4
- Bottle with sterile sodium chloride solution (0.9%)

**MANDATORY  
UNDER HSE  
REGULATIONS**

P.Qty. 1/12

**Art.No. 0899511906**



**First Aid Kit Case, DIN 13157**

- Includes wall holder with 90° locking mechanism
- Easy to find what you need thanks to flexible interior compartments and Plexiglas cover
- High-strength ABS plastic
- Resistant to deformation, impact-proof, temperature-resistant
- Protected against dust and water spray thanks to rubber seal in the interior
- Dimensions (L x W x H): 280 x 220 x 110 mm

P.Qty. 1

**Art.No. 08995206**

<p><b>Sanding Disc, Red Perfect 21-Hole Pattern</b></p>  <p><b>Art.No. 0581353***</b></p>	<p><b>Wood Sandpaper Roll, Yellow Aluminium Oxide 115mm x 50m</b></p>  <p><b>Art.No. 0581415***</b></p>	<p><b>Sps Wood Sandpaper Roll 115mm x 50m</b></p>  <p><b>Art.No. 0582115***</b></p>
<p><b>Wood Sandpaper roll KPC/ KPE 115mm x 50m</b></p>  <p><b>Art.No. 0583115***</b></p>	<p><b>Sanding Disc</b></p>  <p><b>Art.No. 0583550***</b></p>	<p><b>Waterproof Silicone Carbide Sandpaper</b></p>  <p><b>Art.No. 058411***</b></p>
<p><b>Nylon Sanding Fleece 152 X230mm</b></p>  <p><b>Art.No. 058545***</b></p>	<p><b>Abrasive Pad</b></p>  <p><b>Art.No. 058702***</b></p> <p><b>Sanding Sponge G100</b></p>  <p><b>Art.No. 058701***</b></p>	<p><b>Dry Sandpaper Roll Arizona® Perfect 15mm x 25m</b></p>  <p><b>Art.No. 5506471***</b></p>
<p><b>Arizona Perfect Vehicle Sand- paper Roll 115mm x 25m</b></p>  <p><b>Art.No. 5506247***</b></p>	<p><b>Floor Pad for Rotary Disc Sander 406 X 10mm</b></p>  <p><b>Art.No. 0675***</b></p>	<p><b>Sanding Sheets Net-Perfect -P80 70mm X 198mm</b></p>  <p><b>Art.No. 5506199**</b></p>
<p><b>Velcro Net Perfect Discs</b></p>  <p><b>Art.No.5506393**</b></p>	<p><b>Wide sanding belt</b></p>  <ul style="list-style-type: none"> <li>• Wide sanding belts available upon request</li> </ul> <p><b>Art.No. 0583260***</b></p>	<p><b>Sanding Belt For Hand Sanders</b></p>  <p><b>Art.No. 0675040610</b></p>

**D3 Cold Wood Glue - 500g**



- For particularly demanding wood bonding in indoor and outdoor applications
- High level of resistance to water and heat
- Simple dispensing design

**Art.No. 089210016**

**Pur Glue, Polyurethane**



- One component moisture curing polyurethane glue with D4 Adhesive qualities to EN204
- Weight of content- 1 kg
- Chemical basis-Polyurethane
- Density- 1.45 g/cm<sup>3</sup>
- Colour - Brown
- Min. film forming temperature -10 °C
- Viscosity - 5000 mPas
- Min./max. temperature resistance of the hardened material -30 to 100 °C

**Art.No. 0892100170**

**1-component D4 cold wood glue - 5kg**



- For gluing all types of wood. Fulfills stress group D4 in accordance with DIN EN 204 and the requirements of DIN EN14257 (WATT91).

**Art.No. 0892100225**

**Superglue Set**



- Reaction accelerator for the hardening of Würth cyan-acrylic-based adhesives

**Art.No. 0893099051  
089330120**

**Spray Adhesive**



- SMART TACK is an advanced spray bonding system that outperforms and outdates conventional contact adhesives providing significant performance and time saving application benefits. Based on new technology resins, SMART TACK is applied by spray providing very fine strands of "high solids" adhesive that forms a web type pattern on application. SMART TACK finds a multitude of uses in the Shopfitting, furniture manufacture, laminating, joinery and exhibition industries.

**Art.No.  
0893100037 - Clear 17kg  
0893100038 - Blue 17kg  
0893100018 - Clear 500ml**

**Extra Universal Contact Adhesive**



- Neoprene-based contact adhesive
- Wide range of applications

**Art.No. 0893100099**

**Cold Wood Glue B3/B4**



- Especially formulated for all wood bonding where a fast set, high bond strength and excellent water resistance are required.
- Suitable for use with virtually all woods, wood decoratives and high-pressure decorative laminates.
- Extended opening time.
- Modified mix provides higher performance with pine.
- Additive is only effective for 24 hours.
- One part modified polyvinyl alcohol stabilised vinyl acetate homopolymer
- emulsion, containing coalescing solvent.
- May be used with hot or cold presses.
- May be cured by radio frequency bonding.
- Conforms to the wear resistance requirements of DIN 68602 to Category B.
- Conforms to BS 4071 in respect of bond strength resistance to sustained load and freeze thaw stability.

**Art.No. 089210097  
089210098  
089210099**

**STANDARD DEFINITIONS OF TERMS RELATING TO ADHESIVES**

<b>B1 or D1</b>	Suitable for indoor use, with wood moisture remaining below 15%.
<b>B2 or D2</b>	Suitable for indoor use with occasional short-term water or condensation, where the maximum moisture content is 18%.
<b>B3 or D3</b>	Suitable for indoor use with frequent short-term water effects or higher humidity. Suitable for outdoor use without exposure to direct weathering.
<b>B4 or D4</b>	Suitable for indoor use with frequent and prolonged exposure to draining water or condensation. Outdoors and weather exposed with adequate surface protection

**Knock in Shelf Studs**



Art.No. 0683305 \*\*\*

**Adjustable Legs**



Art.No. 0683360880

**Angle Brackets**



Art.No. 0451121918

**Modesty blocks**



Art.No. 0683201...

**Worktop Connector**



Art.No. 0683241

**Shelf Peg**



Art.No. 0683321

**Corner Connectors With Cover**



Art.No. 06832013

**Shelf Support**



Art.No. 0683302

**Pull Out Larder**



Art.No. 5966140

**Range of Edging**



Art.No. 0676024...

**Cutlery Trays**



Art.No. 068360...

**Magnetic Snap Catch**



Art.No. 0683439 \*\*\*

**Pull Out Baskets**



Art.No. 0684901  
0684901



**NEW**

## WÜPOFAST® 2 SCREW

### Pozidrive

- Most popular drive
- Improved tolerances
- Better connection with bits
- Good centering

### Milling pockets head

- Part threaded screws and full threaded screws from dia. 5.0 - 6.0 mm, L > 50mm
- Suitable for woods as well as fittings application
- Minimal damage to laminated wood surfaces
- Fewer chips on the surface

### End mill

- From dia. 5.0 - 6.0 mm, L > 70mm
- Minimizes the screw-in force

P.Qty. 100

Art. No. 01986 ...

**\* OTHER SIZES AVAILABLE**

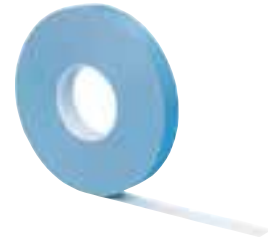


## Wardrobe Rail



Art.No. 0683554900

## Mirror Tape



Art.No. 0894918\*\*\*

## Brackets



Art.No. 0683554904



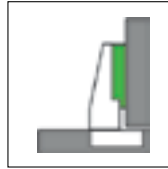
The star in your cabinet

# HINGES





full overlay



## Impresso 110°

**Hinge with tool-less quick mounting technology.**

**Art. No. F014072473**

Pack/Qty.: 50

### Description

- All metal hinge, nickel plated.
- Opening angle 110°.
- Suitable mounting plate for 3-way assembly.
- Self-closing.

### Features

- Minimal cup depth of 11.5mm.
- Closed cup bottom.
- Optimal door movement.

### Advantages

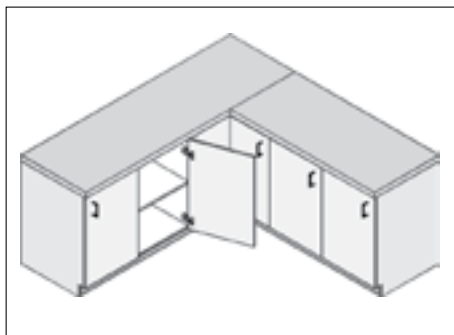
- Suitable for thin doors and soft-formed doors.
- Ideal for innovative design solutions.
- Suitable for door thicknesses of up to 20mm.

## Cranking 00



Hinge arm: steel, nickel plated.  
Hinge cup: zinc diecast, nickel plated.

### Application



## Impresso 125°

**Art. No. F014072497**

Pack/Qty.: 1

**DIRECT DELIVERY**

### Recommended Backplates

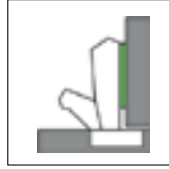
See Backplate Section Pgs 27-32

Art. No.	Description	
<b>F061073232</b>	Clip on mounting plate 0mm 2 CAM euro	
<b>F061073233</b>	Clip on mounting plate 2mm 2 CAM euro	<b>DD</b>
<b>F061073214</b>	Clip on mounting plate 0mm 2 CAM	
<b>F061073215</b>	Clip on mounting plate 2mm 2 CAM	
<b>F061073218</b>	2 CAM Adjustable Backplate 8mm	
<b>F060073144</b>	Simple clip on mounting plate 0mm	
<b>F060073145</b>	Simple clip on mounting plate 2mm	
<b>F060073179</b>	Simple clip on mounting plate 0mm euro	
<b>F060073180</b>	Simple clip on mounting plate 2mm euro	<b>DD</b>
<b>F060073133</b>	Dowel-in 2 CAM narrow plate	<b>DD</b>





**full overlay**



## Impresso 170°

**Hinge with tool-less quick mounting technology.**

**F014072477**

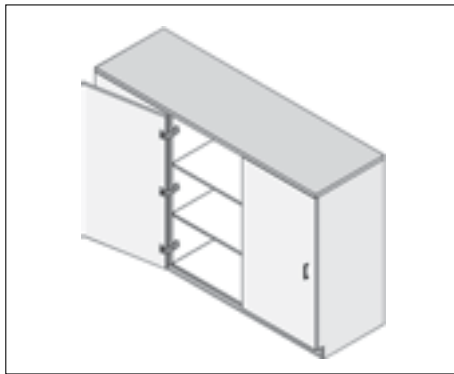
Pack/Qty.: 25

## Cranking 00



Hinge arm: zinc diecast, nickel plated.  
Hinge cup: zinc diecast, nickel plated.

### Application



Finger protection

### Description

- All metal wide angle opening hinge, nickel plated.
- Opening angle 170°.
- Suitable mounting plate for 3-way adjustment.
- Self-closing.
- Opening angle can be restricted to 120°.

### Features

- Shallow hinge cup of 11 mm.
- 100% finger protection.
- Zero cranking.

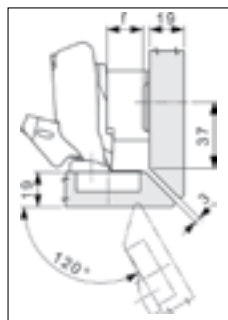
### Advantages

- For door thicknesses of up to 26mm. A trial application is recommended for doors thicker than 24mm.
- Child proof.
- Zero protrusion at a 90 degree door opening angle in 00 cranking and with 00 mounting plate thickness.

### Angle reduction clip



Angle reduction clip for 120° opening  
**Art. No.** on request.



Drilling distance 3mm.

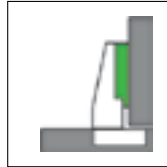
## Recommended Backplates

See Backplate Section Pgs 27-32

Art. No.	Description	
<b>F061073232</b>	Clip on mounting plate 0mm 2 CAM euro	
<b>F061073233</b>	Clip on mounting plate 2mm 2 CAM euro	<b>DD</b>
<b>F061073214</b>	Clip on mounting plate 0mm 2 CAM	
<b>F061073215</b>	Clip on mounting plate 2mm 2 CAM	
<b>F061073218</b>	2 CAM Adjustable Backplate 8mm	
<b>F060073144</b>	Simple clip on mounting plate 0mm	
<b>F060073145</b>	Simple clip on mounting plate 2mm	
<b>F060073179</b>	Simple clip on mounting plate 0mm euro	
<b>F060073180</b>	Simple clip on mounting plate 2mm euro	<b>DD</b>
<b>F060073133</b>	Dowel-in 2 CAM narrow plate	<b>DD</b>



full overlay



## Impresso 110° Blum Boring Pattern

**Hinge with tool-less quick mounting technology.**

**Art. No. F014072520**

Pack/Qty.: 50

**DIRECT DELIVERY**

### Cranking 00



Hinge arm: steel, nickel plated.  
Hinge cup: zinc diecast, nickel plated.

#### Description

- All metal hinge, nickel plated.
- Opening angle 110°.
- Suitable mounting plate for 3-way assembly.
- Self-closing.

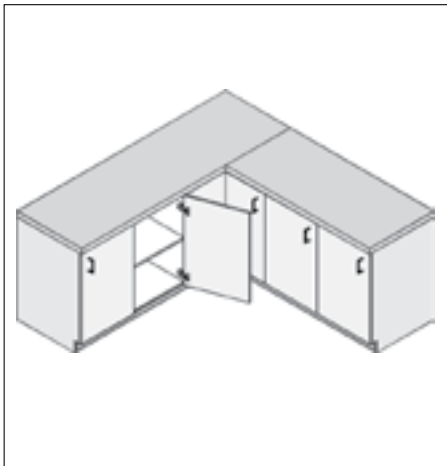
#### Features

- Minimal cup depth of 11.5mm.
- Closed cup bottom.
- Optimal door movement.

#### Advantages

- Suitable for thin doors and soft formed doors.
- Ideal for innovative design solutions.
- Suitable for door thicknesses of up to 20mm.

#### Application



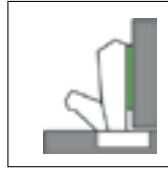
### Recommended Backplates

See Backplate Section Pgs 27-32

Art. No.	Description
<b>F061073232</b>	Clip on mounting plate 0mm 2 CAM euro
<b>F061073233</b>	Clip on mounting plate 2mm 2 CAM euro <b>DD</b>
<b>F061073214</b>	Clip on mounting plate 0mm 2 CAM
<b>F061073215</b>	Clip on mounting plate 2mm 2 CAM
<b>F061073218</b>	2 CAM Adjustable Backplate 8mm
<b>F060073144</b>	Simple clip on mounting plate 0mm
<b>F060073145</b>	Simple clip on mounting plate 2mm
<b>F060073179</b>	Simple clip on mounting plate 0mm euro
<b>F060073180</b>	Simple clip on mounting plate 2mm euro <b>DD</b>
<b>F060073133</b>	Dowel-in 2 CAM narrow plate <b>DD</b>



full overlay



**Cranking 00**

**Angle reduction clip**

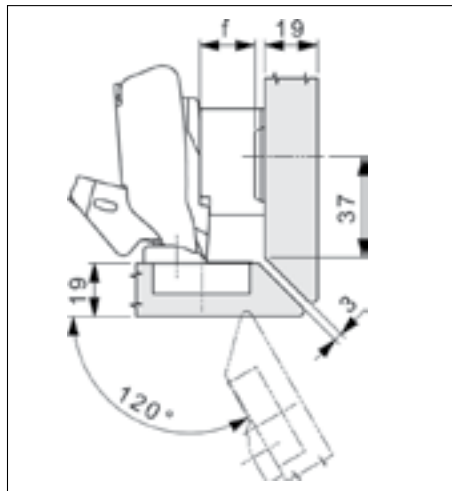
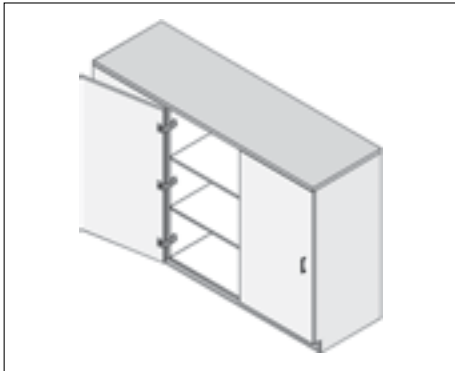


Hinge arm: zinc diecast, nickel plated.  
Hinge cup: zinc diecast, nickel plated.



Angle reduction clip for 120° opening  
**Art. No.** on request.

**Application**



Drilling distance 3mm.

**Impresso 170°  
Blum Boring  
Pattern**

**Hinge with tool-less quick mounting technology.**

**Art. No. F014072530**

Pack/Qty.: 50

**DIRECT DELIVERY**

**Description**

- All metal wide angle opening hinge, nickel plated.
- Opening angle 170°.
- Suitable mounting plate for 3-way adjustment.
- Self-closing.
- Opening angle can be restricted to 120°.

**Features**

- Shallow hinge cup of 11 mm.
- 100% finger protection.
- Zero cranking.

**Advantages**

- For door thicknesses of up to 26mm. A trial application is recommended for doors thicker than 24mm.
- Child proof.
- Zero protrusion at a 90 degree door opening angle in 00 cranking and with 00 mounting plate thickness.

**Recommended Backplates**

See Backplate Section Pgs 27-32

Art. No.	Description	
F061073232	Clip on mounting plate 0mm 2 CAM euro	
F061073233	Clip on mounting plate 2mm 2 CAM euro	DD
F061073214	Clip on mounting plate 0mm 2 CAM	
F061073215	Clip on mounting plate 2mm 2 CAM	
F061073218	2 CAM Adjustable Backplate 8mm	
F060073144	Simple clip on mounting plate 0mm	
F060073145	Simple clip on mounting plate 2mm	
F060073179	Simple clip on mounting plate 0mm euro	
F060073180	Simple clip on mounting plate 2mm euro	DD
F060073133	Dowel-in 2 CAM narrow plate	DD



Finger protection



**full overlay**



## Clip-on 110°

### Quick mounting hinge

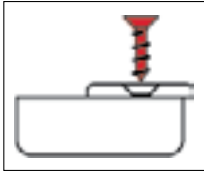
**Clip-on 110° screw-on**  
**Art. No. F015072691**  
 Pack/Qty.: 50

**Clip-on 110° dowel-in**  
**Art. No. F015072693**  
 Pack/Qty.: 50

## Cranking 00



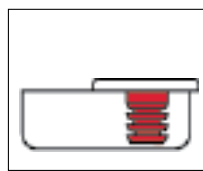
**screw-on**



Hinge arm: steel, nickel plated.  
 Hinge cup: steel, nickel plated.



**dowel-in**



Hinge arm: steel, nickel plated.  
 Hinge cup: steel, nickel plated.

### Description

- All metal hinge, nickel plated.
- Opening angle 110°.
- Suitable mounting plate for 3-way assembly.
- Self-closing.

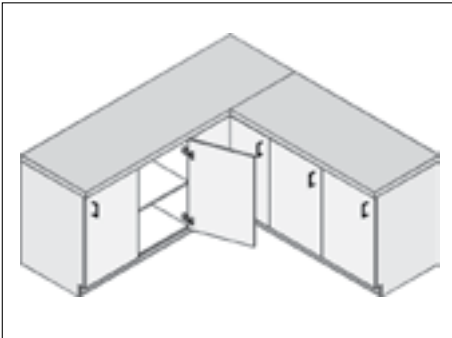
### Features

- Minimal cup depth of 11 mm.
- Closed cup bottom.
- Excellent door movement.

### Advantages

- For thin, soft-formed doors.
- Ideal for demanding design applications.
- Door thickness up to 20mm.

### Application



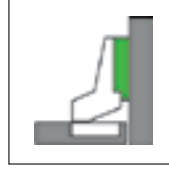
## Recommended Backplates

See Backplate Section Pgs 27-32

Art. No.	Description	
F061073232	Clip on mounting plate 0mm 2 CAM euro	
F061073233	Clip on mounting plate 2mm 2 CAM euro	DD
F061073214	Clip on mounting plate 0mm 2 CAM	
F061073215	Clip on mounting plate 2mm 2 CAM	
F061073218	2 CAM Adjustable Backplate 8mm	
F060073144	Simple clip on mounting plate 0mm	
F060073145	Simple clip on mounting plate 2mm	
F060073179	Simple clip on mounting plate 0mm euro	
F060073180	Simple clip on mounting plate 2mm euro	DD
F060073133	Dowel-in 2 CAM narrow plate	DD



**full overlay**



## Clip-on 125°

### Quick mounting hinge

**Clip-on 125° screw-on**  
**F015072700**

Pack/Qty.: 50

**Clip-on 125° dowel-in**  
**Art. No. F015072701**

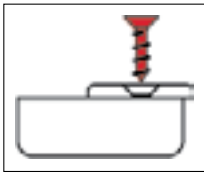
Pack/Qty.: 50

**DIRECT DELIVERY**

## Cranking 00



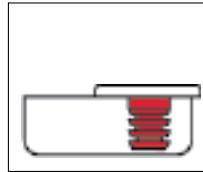
**screw-on**



Hinge arm: steel, nickel plated.  
Hinge cup: steel, nickel plated.

Hinge arm: steel, nickel plated.  
Hinge cup: steel, nickel plated.

**dowel-in**



### Description

- All metal hinge, nickel plated.
- Opening angle 125°.
- Suitable mounting plate for 3-way assembly.
- Self-closing.

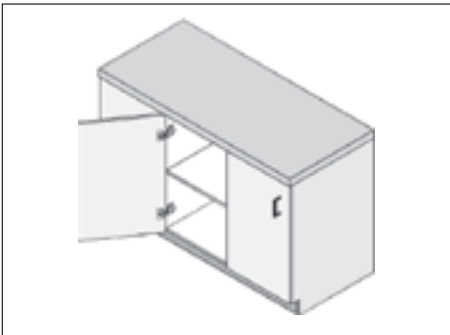
### Features

- Standard hinge has wide opening angle.
- Compact design.
- Door can be opened wide for easy cabinet access.

### Advantages

- An alternative solution for wide angle applications.
- Excellent design possibilities.
- Easy cabinet access.

### Application



## Recommended Backplates

See Backplate Section Pgs 27-32

Art. No.	Description	
<b>F061073232</b>	Clip on mounting plate 0mm 2 CAM euro	
<b>F061073233</b>	Clip on mounting plate 2mm 2 CAM euro	<b>DD</b>
<b>F061073214</b>	Clip on mounting plate 0mm 2 CAM	
<b>F061073215</b>	Clip on mounting plate 2mm 2 CAM	
<b>F061073218</b>	2 CAM Adjustable Backplate 8mm	
<b>F060073144</b>	Simple clip on mounting plate 0mm	
<b>F060073145</b>	Simple clip on mounting plate 2mm	
<b>F060073179</b>	Simple clip on mounting plate 0mm euro	
<b>F060073180</b>	Simple clip on mounting plate 2mm euro	<b>DD</b>
<b>F060073133</b>	Dowel-in 2 CAM narrow plate	<b>DD</b>





**full overlay**



## Clip-on 170°

### Wide angle quick mounting hinge

**Clip-on 170° Screw-on**  
**F015072710**

Pack/Qty.: 25

**Clip-on 170° dowel-in**

**F015072708**

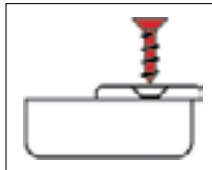
Pack/Qty.: 25

## Cranking 00



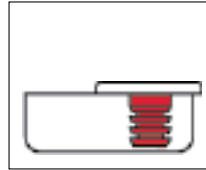
**screw-on**

Hinge arm: zinc diecast, nickel plated.  
Hinge cup: zinc diecast, nickel plated.



**dowel-in**

Hinge arm: zinc diecast, nickel plated.  
Hinge cup: zinc diecast, nickel plated.



### Description

- All metal wide angle opening hinge, nickel plated.
- Opening angle 170°.
- Suitable mounting plate for 3-way adjustment.
- Self-closing.
- Opening angle can be restricted to 120°.

### Features

- Shallow hinge cup of 11 mm.
- 100% finger protection.
- Zero cranking.

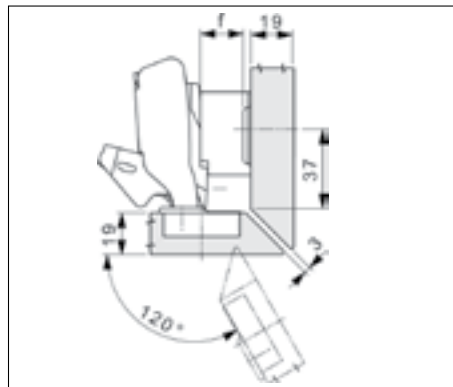
### Advantages

- For door thicknesses of up to 26mm. A trial application is recommended for doors thicker than 24mm.
- Child proof.
- Zero protrusion at a 90 degree door opening angle in 00 cranking and with 00 mounting plate thickness

## Angle reduction clip

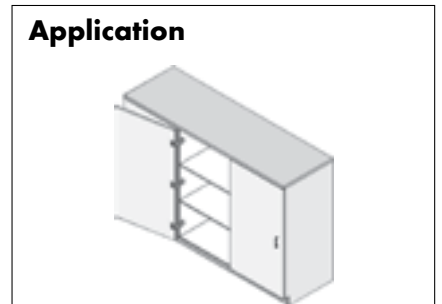


Angle reduction clip for 120° opening  
**Art. No.** on request.



Drilling distance 3mm.

### Application



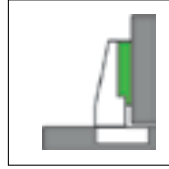
Finger protection

## Recommended Backplates See Backplate Section Pgs 27-32

Art. No.	Description	
<b>F061073232</b>	Clip on mounting plate 0mm 2 CAM euro	
<b>F061073233</b>	Clip on mounting plate 2mm 2 CAM euro	<b>DD</b>
<b>F061073214</b>	Clip on mounting plate 0mm 2 CAM	
<b>F061073215</b>	Clip on mounting plate 2mm 2 CAM	
<b>F061073218</b>	2 CAM Adjustable Backplate 8mm	
<b>F060073144</b>	Simple clip on mounting plate 0mm	
<b>F060073145</b>	Simple clip on mounting plate 2mm	
<b>F060073179</b>	Simple clip on mounting plate 0mm euro	
<b>F060073180</b>	Simple clip on mounting plate 2mm euro	<b>DD</b>
<b>F060073133</b>	Dowel-in 2 CAM narrow plate	<b>DD</b>



**full overlay**



## Clip-on 110° / Dowel-in: Blum Boring Pattern

**Quick mounting hinge**

**Art. No. F015072629**

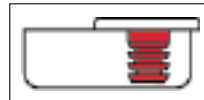
Pack/Qty.: 50

### Cranking 00



Hinge arm: steel,  
nickel plated  
Hinge cup: steel,  
nickel plated

**dowel-in**



#### Description

- All metal hinge, nickel plated.
- Opening angle 110°.
- Suitable mounting plate for 3-way assembly.
- Self-closing.

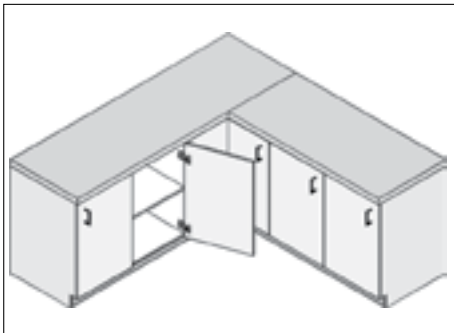
#### Features

- Minimum cup depth of 11mm.
- Closed cup bottom.
- Excellent door movement.

#### Advantages

- For thin, soft-formed doors.
- Ideal for demanding design applications.
- Door thicknesses up to 20mm.

#### Application



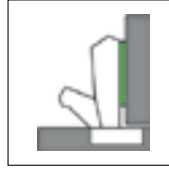
### Recommended Backplates

See Backplate Section Pgs 27-32

Art. No.	Description
<b>F061073232</b>	Clip on mounting plate 0mm 2 CAM euro
<b>F061073233</b>	Clip on mounting plate 2mm 2 CAM euro <b>DD</b>
<b>F061073214</b>	Clip on mounting plate 0mm 2 CAM
<b>F061073215</b>	Clip on mounting plate 2mm 2 CAM
<b>F061073218</b>	2 CAM Adjustable Backplate 8mm
<b>F060073144</b>	Simple clip on mounting plate 0mm
<b>F060073145</b>	Simple clip on mounting plate 2mm
<b>F060073179</b>	Simple clip on mounting plate 0mm euro
<b>F060073180</b>	Simple clip on mounting plate 2mm euro <b>DD</b>
<b>F060073133</b>	Dowel-in 2 CAM narrow plate <b>DD</b>



full overlay



## Clip-on 170° / Dowel-in: Blum Boring Pattern

**Wide angle quick mounting hinge**

**Art. No. F015072647**

**DIRECT DELIVERY**

Pack/Qty.: 25

### Cranking 00



Hinge arm: diecast, nickel plated  
Hinge cup: diecast, nickel plated

dowel-in



#### Description

- All metal wide angle opening hinge, nickel plated.
- Opening angle 170°.
- Suitable mounting plate for 3-way adjustment.
- Self-closing.
- Opening angle can be restricted to 120°.

#### Features

- Shallow hinge cup of 11 mm.
- 100% finger protection.
- Zero cranking.

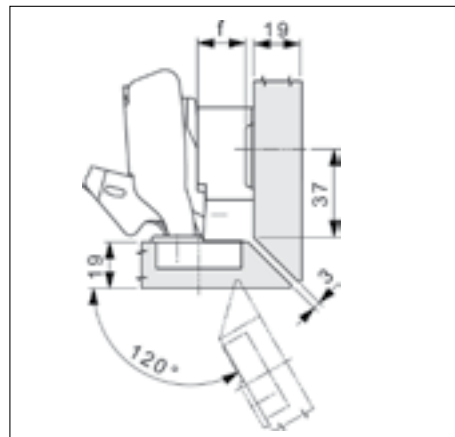
#### Advantages

- For door thicknesses of up to 26mm. A trial application is recommended for doors thicker than 24mm.
- Child proof.
- Zero protrusion at a 90 degree door opening angle in 00 cranking and with 00 mounting plate thickness.

### Angle reduction clip



Angle reduction clip for 120° opening  
**Art. No.** on request.



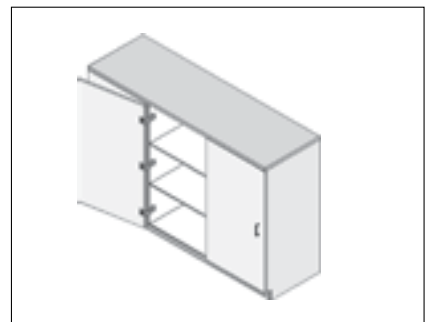
Drilling distance 3mm.

### Recommended Backplates

See Backplate Section Pgs 27-32

Art. No.	Description	
F061073232	Clip on mounting plate 0mm 2 CAM euro	
F061073233	Clip on mounting plate 2mm 2 CAM euro	DD
F061073214	Clip on mounting plate 0mm 2 CAM	
F061073215	Clip on mounting plate 2mm 2 CAM	
F061073218	2 CAM Adjustable Backplate 8mm	
F060073144	Simple clip on mounting plate 0mm	
F060073145	Simple clip on mounting plate 2mm	
F060073179	Simple clip on mounting plate 0mm euro	
F060073180	Simple clip on mounting plate 2mm euro	DD
F060073133	Dowel-in 2 CAM narrow plate	DD

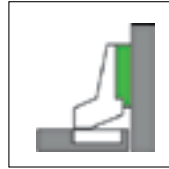
### Application



Finger protection



**inset**



## Dowel-in 100° 15mm Crank For Inset Door

**Quick mounting hinge**

**Art. No. F015072662**

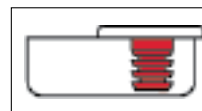
Pack/Qty.: 50

### Cranking 15

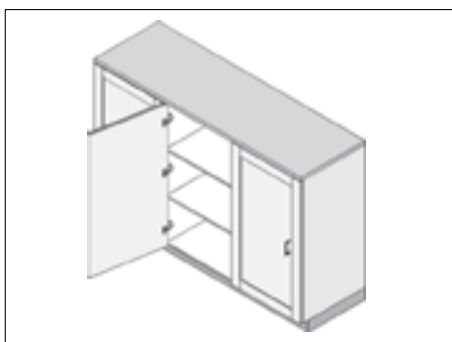


Hinge arm: steel, nickel plated  
Hinge cup: steel, nickel plated

**dowel-in**



### Application



#### Description

- All metal hinge, nickel plated.
- Opening angle 100°.
- Suitable mounting plate for 3-way assembly.
- Self-closing.

#### Features

- Minimal cup depth of 11 mm.
- Optimal kinematics.
- Closed cup bottom.

#### Advantages

- Designed for thin doors or profile doors.
- Excellent minimum gap requirements with door thicknesses up to 22mm.
- Ideal for demanding design applications.

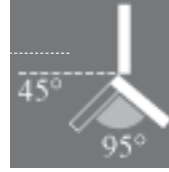
### Recommended Backplates

See Backplate Section Pgs 27-32

Art. No.	Description	
<b>F061073232</b>	Clip on mounting plate 0mm 2 CAM euro	
<b>F061073233</b>	Clip on mounting plate 2mm 2 CAM euro	<b>DD</b>
<b>F061073214</b>	Clip on mounting plate 0mm 2 CAM	
<b>F061073215</b>	Clip on mounting plate 2mm 2 CAM	
<b>F061073218</b>	2 CAM Adjustable Backplate 8mm	
<b>F060073144</b>	Simple clip on mounting plate 0mm	
<b>F060073145</b>	Simple clip on mounting plate 2mm	
<b>F060073179</b>	Simple clip on mounting plate 0mm euro	
<b>F060073180</b>	Simple clip on mounting plate 2mm euro	<b>DD</b>
<b>F060073133</b>	Dowel-in 2 CAM narrow plate	<b>DD</b>



**inset**



## Clip-on 45° Hinge

**Quick mounting hinge for 45° angle corner solutions**

**F015072673**

Pack/Qty.: 1

**Description**

- All metal corner hinge, nickel plated.
- For inset door applications.
- Opening angle 95°.
- Suitable mounting plate for 3-way assembly.

**Features**

- Angle hinge 45° for corner cabinets.
- For display cabinets.
- Variable mounting plate positions.

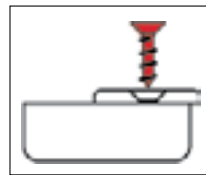
**Advantages**

- For angled corner cabinets and applications with a positive angle.
- Excellent minimum gap requirements with door thicknesses up to 30mm.
- Extremely well suited for variable cabinet sides.

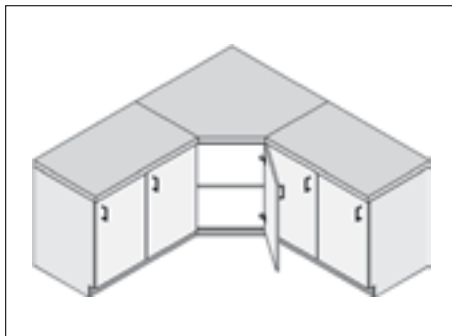


Hinge arm:  
zinc diecast, nickel plated  
Hinge cup:  
zinc diecast, nickel plated

**screw-on**



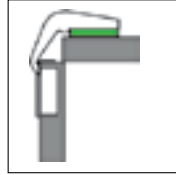
**Application**



**Recommended Backplates**

See Backplate Section Pgs 27-32

Art. No.	Description	
F061073232	Clip on mounting plate 0mm 2 CAM euro	
F061073233	Clip on mounting plate 2mm 2 CAM euro	DD
F061073214	Clip on mounting plate 0mm 2 CAM	
F061073215	Clip on mounting plate 2mm 2 CAM	
F061073218	2 CAM Adjustable Backplate 8mm	
F060073144	Simple clip on mounting plate 0mm	
F060073145	Simple clip on mounting plate 2mm	
F060073179	Simple clip on mounting plate 0mm euro	
F060073180	Simple clip on mounting plate 2mm euro	DD
F060073133	Dowel-in 2 CAM narrow plate	DD



## Clip-on-PCC Hinge

### Pie cut corner quick mounting hinge

**Art. No. F015072714**

Pack/Qty.: 1

#### Description

- All metal PCC hinge, nickel plated.
- Designed for use in corner cabinets with folding doors.
- Suitable mounting plate for 3-way adjustment.

#### Features

- Connects two corner cabinet doors.
- Gap adjustment possible by changing mounting plate position.
- Standard boring pattern for cup and mounting plate.

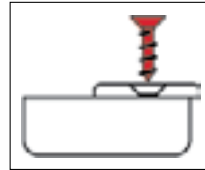
#### Advantages

- Ergonomical single hand operation.
- Used with door thicknesses from 14mm — 22mm.
- Efficient door assembly.

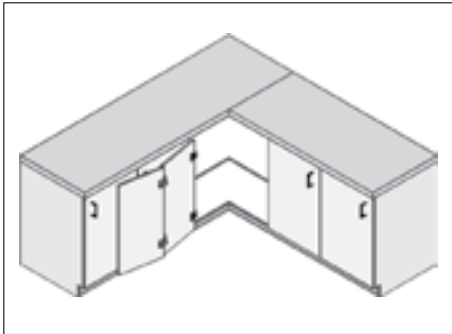


Hinge arm:  
zinc diecast, nickel plated.  
Hinge cup: zinc diecast, nickel plated.

#### screw-on



#### Application



#### Wood screw countersunk for hinge cup fixing,

Dia. 3.5 x 15mm

**Art. No. 198.35.15**

Pack/Qty.: 1000

## Recommended Backplates

See Backplate Section Pgs 27-32

Art. No.	Description	
<b>F061073232</b>	Clip on mounting plate 0mm 2 CAM euro	
<b>F061073233</b>	Clip on mounting plate 2mm 2 CAM euro	<b>DD</b>
<b>F061073214</b>	Clip on mounting plate 0mm 2 CAM	
<b>F061073215</b>	Clip on mounting plate 2mm 2 CAM	
<b>F061073218</b>	2 CAM Adjustable Backplate 8mm	
<b>F060073144</b>	Simple clip on mounting plate 0mm	
<b>F060073145</b>	Simple clip on mounting plate 2mm	
<b>F060073179</b>	Simple clip on mounting plate 0mm euro	
<b>F060073180</b>	Simple clip on mounting plate 2mm euro	<b>DD</b>
<b>F060073133</b>	Dowel-in 2 CAM narrow plate	<b>DD</b>

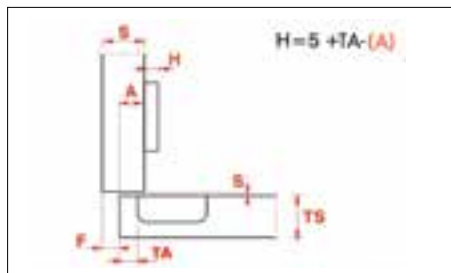
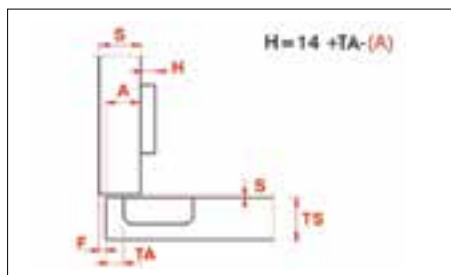


## Würth Hinge System Easyclick 10

- Opening angle 110°
- With integrated damping and automatic closing
- Door thickness 16–26 mm
- Depth adjustment via eccentric +3 mm, -1 mm
- Opening and closing movements: 80,000 cycles
- Material: Nickel-plated steel

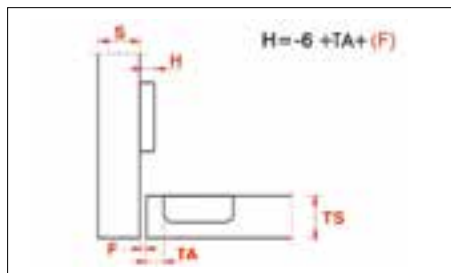
### Corner mounting (offset: 0)

Art. No.	P. qty.
<b>0683100451</b>	200



### Mid-wall mounting (offset: 9)

Art. No.	P. qty.	DD
<b>0683100452</b>	200	DD



### Flush mounting (offset: 18)

Art. No.	P. qty.	DD
<b>0683100453</b>	200	DD



## 180° Softclose Hinge

- Steel nickel plated
- Soft and gentle door closing
- Built in piston for slimline look
- Drilling diameter: 35mm
- Drilling pattern: 45mm
- Compatible with Würth Back plates

Art. No.	P. qty.
<b>0683138020</b>	50

## Würth Hinge System Easyclick 10



- EasyClick furniture hinges made of steel, nickel-plated
- **With integrated damping and automatic closing**
- **Tested at 80,000 cycles**
- Hinge pot
  - For screwing on
  - Low pot depth of 11.5 mm
  - With pot edge cover
- Adjustments via eccentric
- Installation and removal without using tools



Lateral adjustment



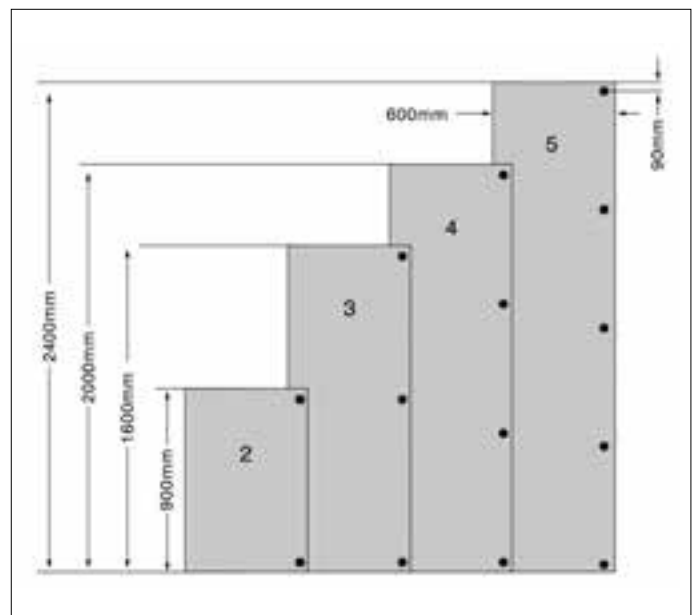
Depth adjustment



Height adjustment

### Instructions:

EasyClick is threaded onto the mounting plate from the front and is clicked into place by slight finger pressure. It can be removed by finger pressure on the unlocking button



The factors that decide the number of hinges are the door height, door weight, material quality, cup and mounting plate attachment. The stated loads and heights refer to standard widths of 600 mm. If in doubt, determine the number of hinges via a trial mounting.

### Technical information:





## Flap Fitting Kinvaro T-105

- Exceptionally easy to open thanks to power assisted opening mechanism
- Easy access to the interior
- Safely holds flap open in any position from 45°
- Further units can be installed above
- Opening angle: 105°
- Maintenance-free
- Material - Zamak
- Surface - Nickel-plated

### Application:

#### Perfect design

For kitchen, living room and office furniture

#### For flaps up to 1200 mm wide

#### Large adjustment range

For a wide range of flaps

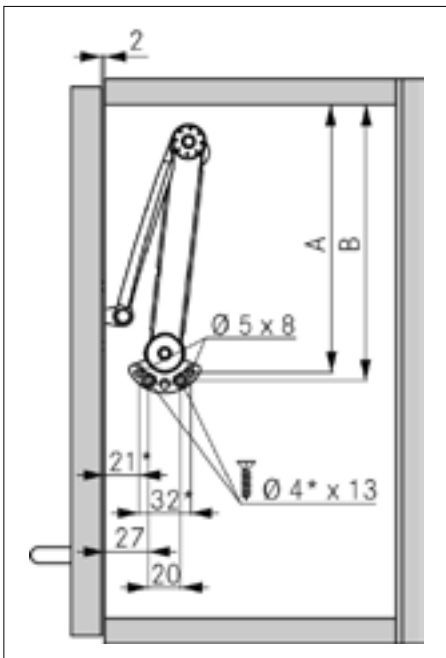
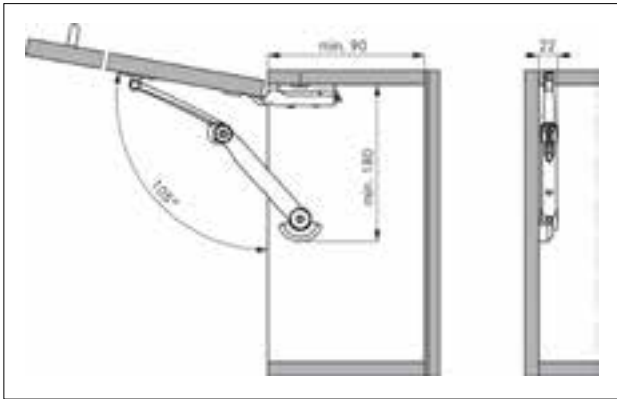
For wooden flaps, wooden frames

#### Broad application area

For flaps in various materials and weights, such as wood, MDF, glass with wide aluminium or wooden frames

OTHER SIZES  
AVAILABLE

Art. No.	P. qty.
F151145221	1



**Soft-Close CST**

**Impresso Range**

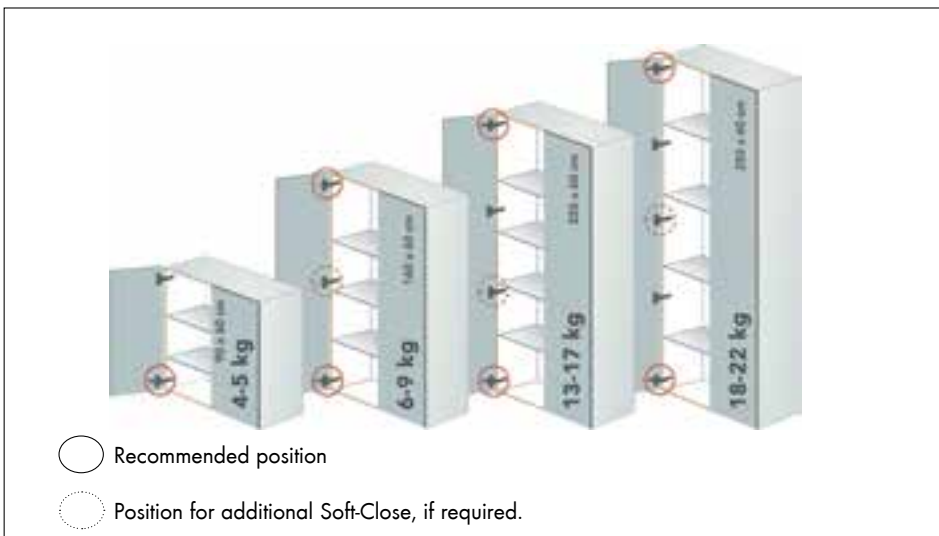
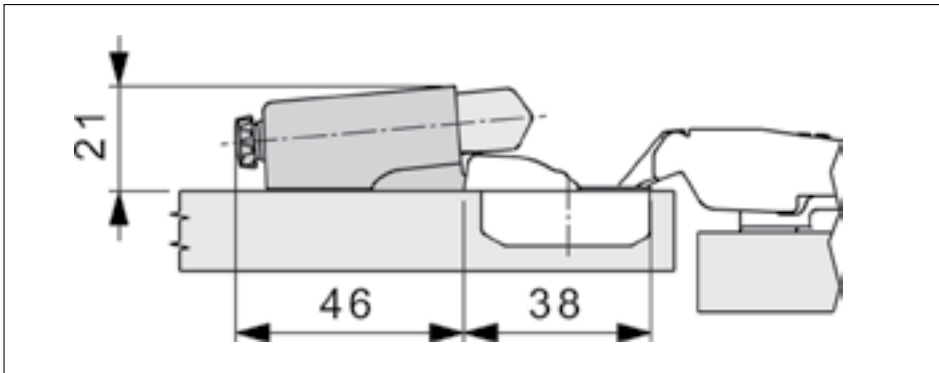
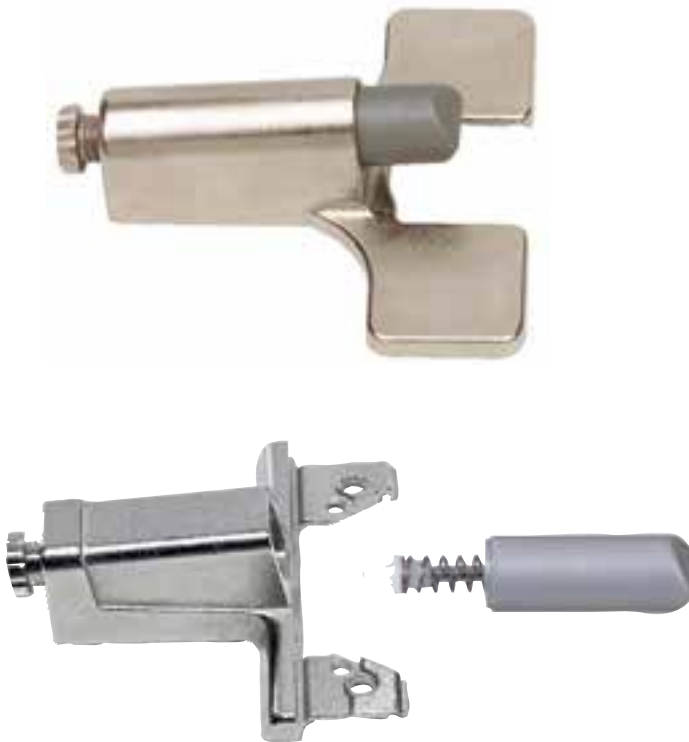
**Contents:**

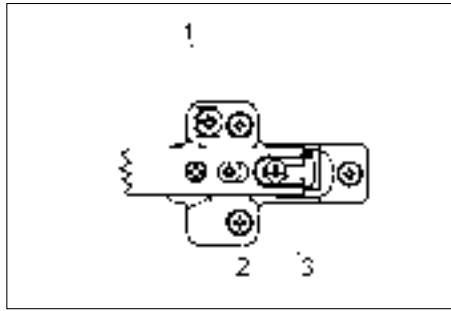
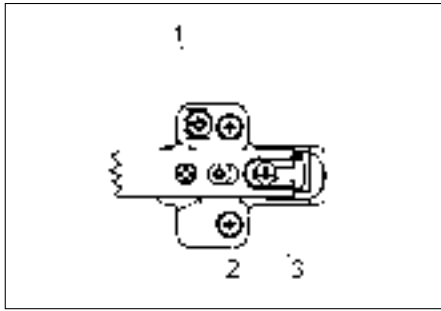
- 1 Soft Close
- 1 Soft Close Adapter

**Art. No. F0690723**

**Art. No. F0690715**

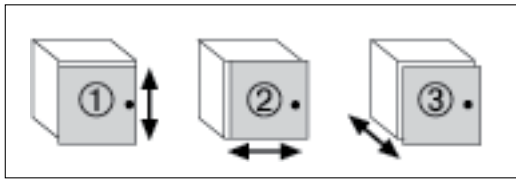
Pack/Qty. 10





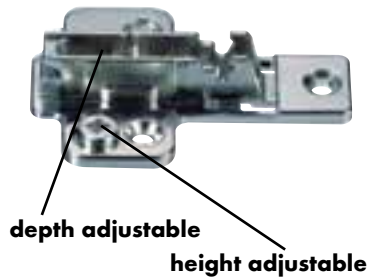
## Clip-on Mounting Plates

**2D-cross mounting plates, fixing distance 37mm, line boring 32mm**



All adjustments can be made independently.

**Eccentric plate for wood screw fixing, nickel plated. Fixing distance 37mm, line boring 32mm.**



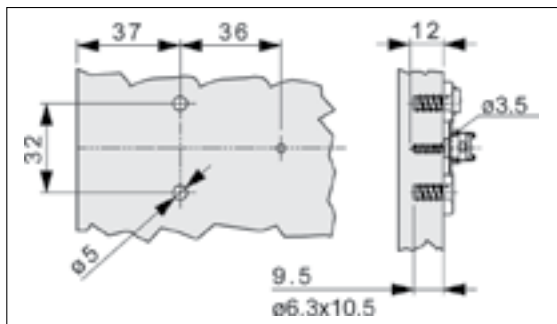
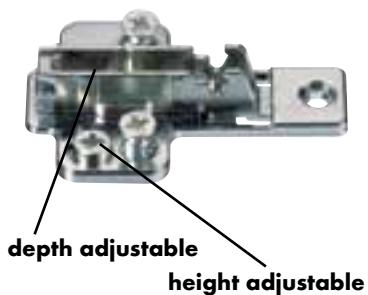
**Eccentric plate for wood screw fixing.**

**Back plate height: 0mm**  
**Art. No. F061073214**  
Pack/Qty.: 1

**Back plate height: 2mm**  
**Art. No. F061073215**  
Pack/Qty.: 1

**Back plate height: 8mm**  
**Art. No. F061073218**  
Pack/Qty.: 1

**Eccentric plate with pre-mounted Euro screws, nickel plated. Fixing distance 37mm, line boring 32mm.**



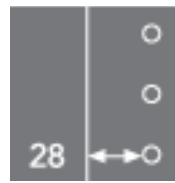
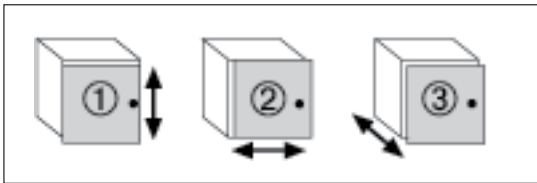
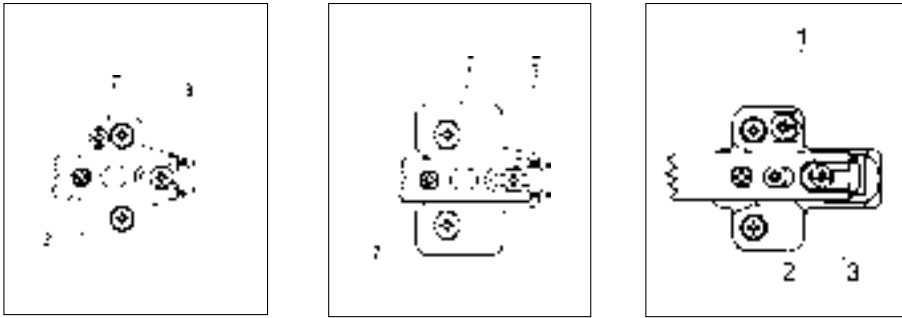
**Eccentric plate with pre-mounted Euro screws.**

**Back plate height: 0mm**  
**Art. No. F061073232**  
Pack/Qty.: 1

**Back plate height: 2mm**  
**Art. No. F061073233**  
Pack/Qty.: 1

**DIRECT DELIVERY**

### 2 Cam Dowel-in Narrow Plate



All adjustments can be made independently.

**Zinc diecast plate for wood screw fixing, fixing distance 37mm, line boring 32mm**

## CS Mounting plates

**Cross mounting plates, fixing distance 37mm, line boring 32mm**

**Zinc diecast plate for wood screw fixing.**

**Back plate height: 0mm**

**Art. No. F060073148**

Pack/Qty.: 50

**Back plate height: 4mm**

**Art. No. F060073151**

Pack/Qty.: 50

**Back plate height: 18mm**

**Art. No. F060073153**

Pack/Qty.: 50

With euro screws.

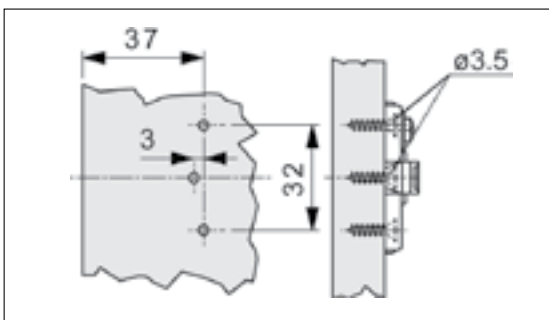
**Art. No. F060073171**

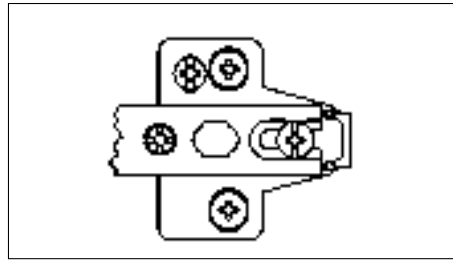
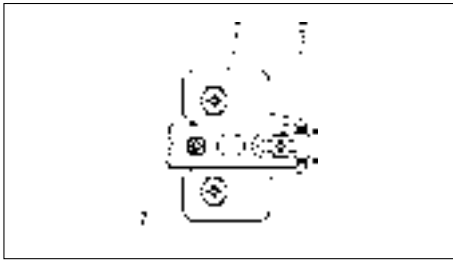
Pk. Qty. 50

**DIRECT DELIVERY**



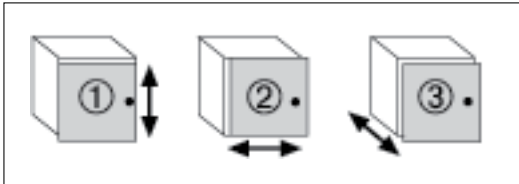
height adjustable





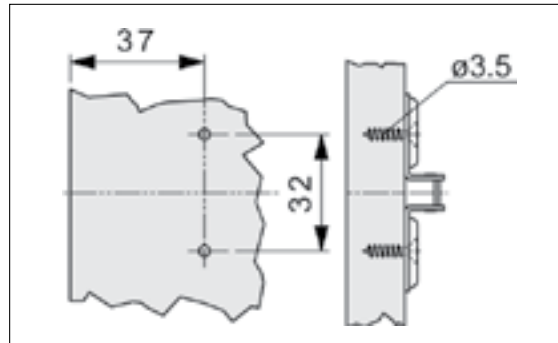
## Clip-on Mounting Plates

**Cross mounting plates, fixing distance 37mm, line boring 32mm**



All adjustments can be made independently.

**Steel plate for wood screw fixing, nickel plated. Fixing distance 37mm, line boring 32mm.**

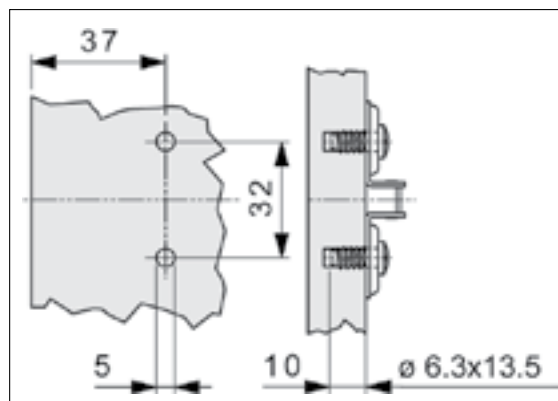


**Steel plate for wood screw fixing.**

**Back plate height: 0mm**  
**Art. No. F060073144**  
Pack/Qty.: 50

**Back plate height: 2mm**  
**Art. No. F060073145**  
Pack/Qty.: 50

**Steel plate with pre-mounted Euro screws, nickel plated. Fixing distance 37mm, line boring 32mm.**

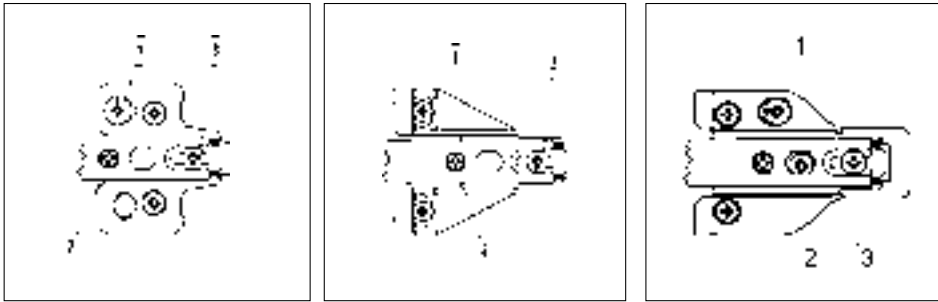


**Eccentric plate with pre-mounted Euro screws.**

**Back plate height: 0mm**  
**Art. No. F060073179**  
Pack/Qty.: 1

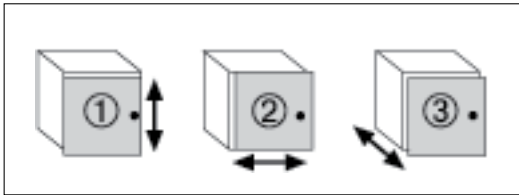
**Back plate height: 2mm**  
**Art. No. F060073180**  
Pack/Qty.: 1

**DIRECT DELIVERY**



## CS Mounting Plates

Special mounting plates, line boring 25mm, 20mm



All adjustments can be made independently.

Special excenter plate for face frame construction, nickel plated. For wood screw fixing, line boring 25mm, 20mm.

Special excenter plate for face frame construction.

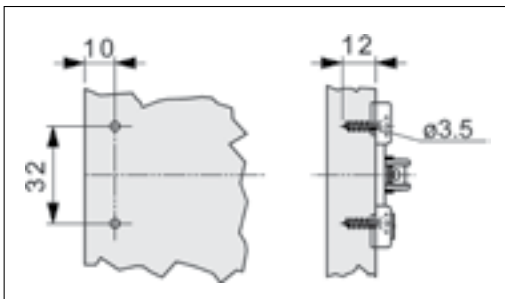
Back plate height: 2mm

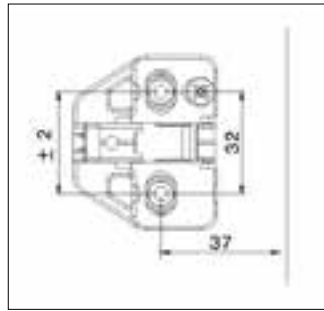
**Art. No. F061073280**

Pack/Qty.: 1



height adjustable

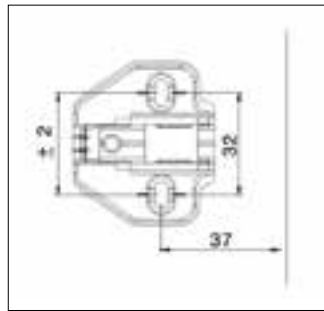




## Würth Mounting plates

- 3-point mounting\*
- Material: Steel, nickel-plated
- For Euro screw, head diameter 6.8 mm
- Height adjustment via eccentric  $\pm 2$  mm

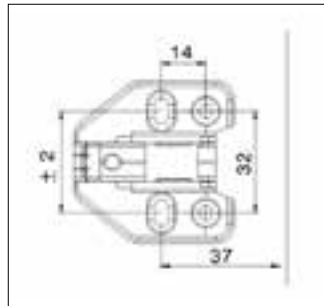
Height	Art. No. Mounting with Euro screws	P. qty.
0	<b>0683100401</b>	200
2	<b>0683100402</b>	
4	<b>0683100403</b> <b>DD</b>	



## Mounting plates

- 3-point mounting\*
- Material: Steel, nickel-plated
- For Euro screw, head diameter 6.8 mm
- Height adjustment via slot  $\pm 2$  mm

Height	Art. No. Mounting with Euro screws	P. qty.
0	<b>0683100406</b> <b>DD</b>	200
2	<b>0683100407</b> <b>DD</b>	
4	<b>0683100408</b> <b>DD</b>	



## Mounting plates

- 5-point mounting\*
- Material: Steel, nickel-plated
- For ASSY screws, dia 3.5 mm
- Height adjustment via slot  $\pm 2$  mm

Height	Art. No. Mounting with ASSY screws	P. qty.
0	<b>0683100411</b> <b>DD</b>	200
2	<b>0683100412</b> <b>DD</b>	
4	<b>0683100413</b> <b>DD</b>	

\* After height adjustment, use dia. 3 mm as securing screw

The star in your cabinet

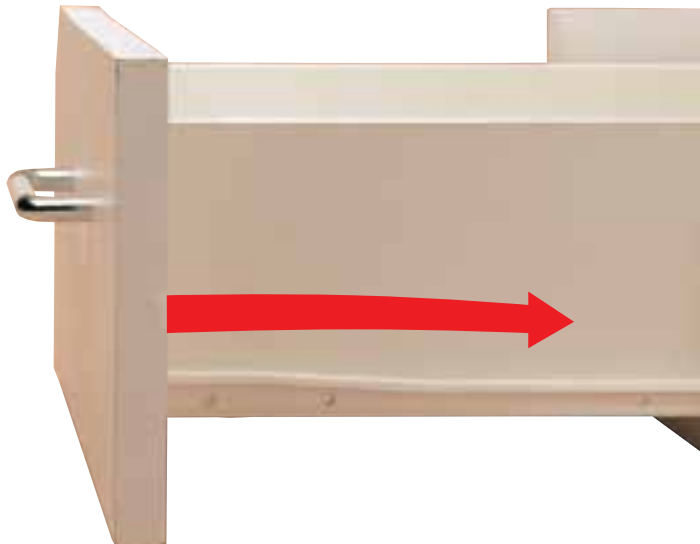
# **DRAWER SYSTEMS**





## Single Extension Drawer Runners

### ECO Slide



- Load bearing capacity: 25kg.
- Self closing from 60mm onwards.
- To fit 32mm system.
- Drilled as standard for dia. 3.5mm Wüpo as well as Euro screws.
- Bottle neck to assist insertion.
- Excellent running characteristics due to new type roller system.
- Height adjustment up to 3mm.
- Rear stop.
- Twin perforation for offset mounting.
- Great lateral stability due to positive guide on the right hand runner.
- Runners feature grooves at the side to prevent damage to the rollers.
- Fitted with 4 plastic rollers (Delrin). Self lubricating.
- Colours: Cream (RAL 9001), brown (RAL 8014), cream white and ivory.

Length mm	<b>Cream</b> <b>Art. No.</b>	<b>Brown</b> <b>Art. No.</b>	Pack/ Qty.
300	<b>F080115256</b>		25

Length mm	<b>Cream white</b> <b>Art. No.</b>	<b>Ivory</b> <b>Art. No.</b>	Pack/ Qty.
350	<b>F080115257</b>		25
400		<b>F080115258</b>	
450	<b>F080115259</b> <b>DD</b>		
500		<b>F080115260</b>	1
550	<b>F080115261</b> <b>DD</b>		

## Pan Drawers



- Three heights: 86mm, 118mm, 150mm.
- Weight capacity: 30kg.
- Excellent running characteristics.
- Three way adjustable front clip.
- Complete with front brackets and cover caps.
- Colour: White (RAL 9010)
- Side clearance 31mm.
- Compatible with the 32mm euro system.

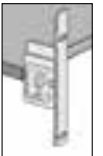
Length mm	Height mm	Art. No.	Pack Qty
450	86	<b>F084074960</b>	1
	118	<b>F084075135</b>	
	150	<b>F084075168</b>	

### Corresponding Clips

**Screw-on**  
**F084115230**  
Left hand clip



**F084115232**  
Right hand clip



**Click-on**  
**F084115240**  
Left hand clip

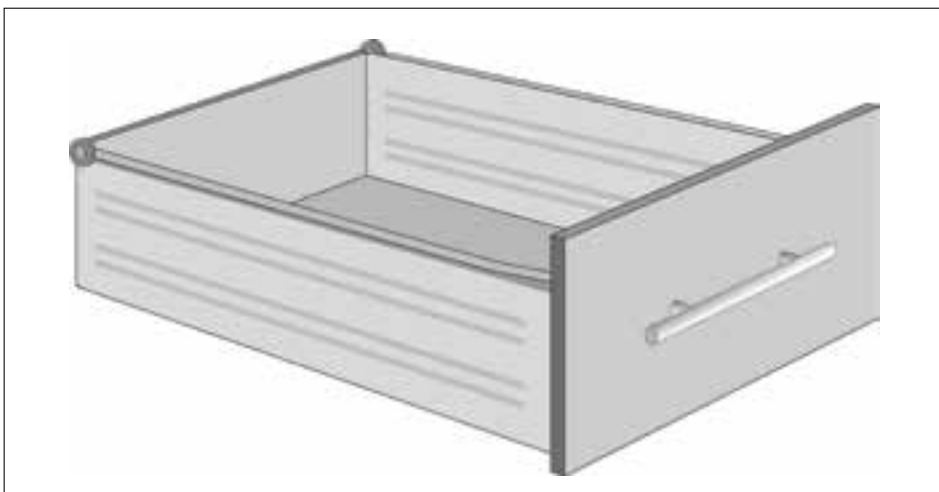
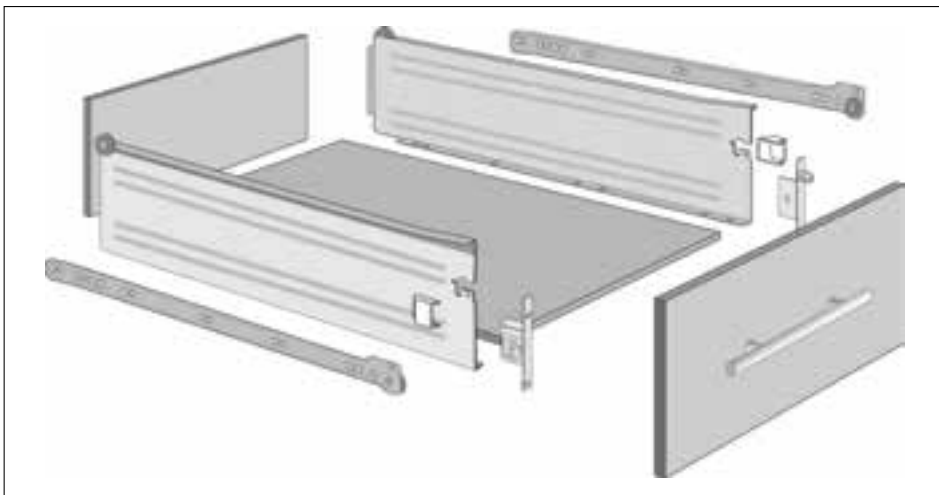
**F084115242**  
Right hand clip

**F084075179**  
Front fixing clips with dowels

**DIRECT DELIVERY**

**F084074810**  
Screw on railing set

**DIRECT DELIVERY**



### Fixing Clips

Left Front Fixing Internal Drawer  
**F084075178**

**DIRECT DELIVERY**

Right Front Fixing Internal Drawer  
**F084075179**

**DIRECT DELIVERY**

Screw On Front Fixing Left

**F084115230**

Screw On Front Fixing Right

**F084115232**

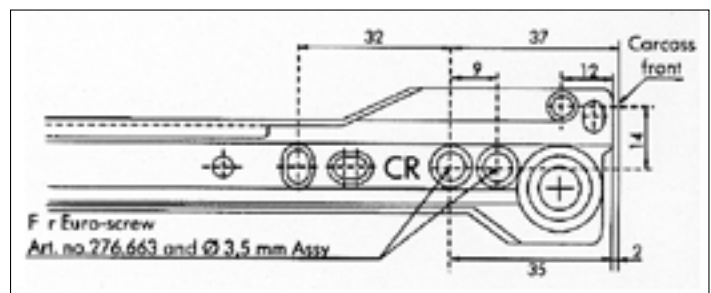
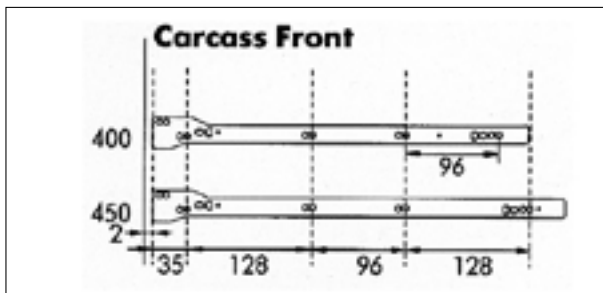
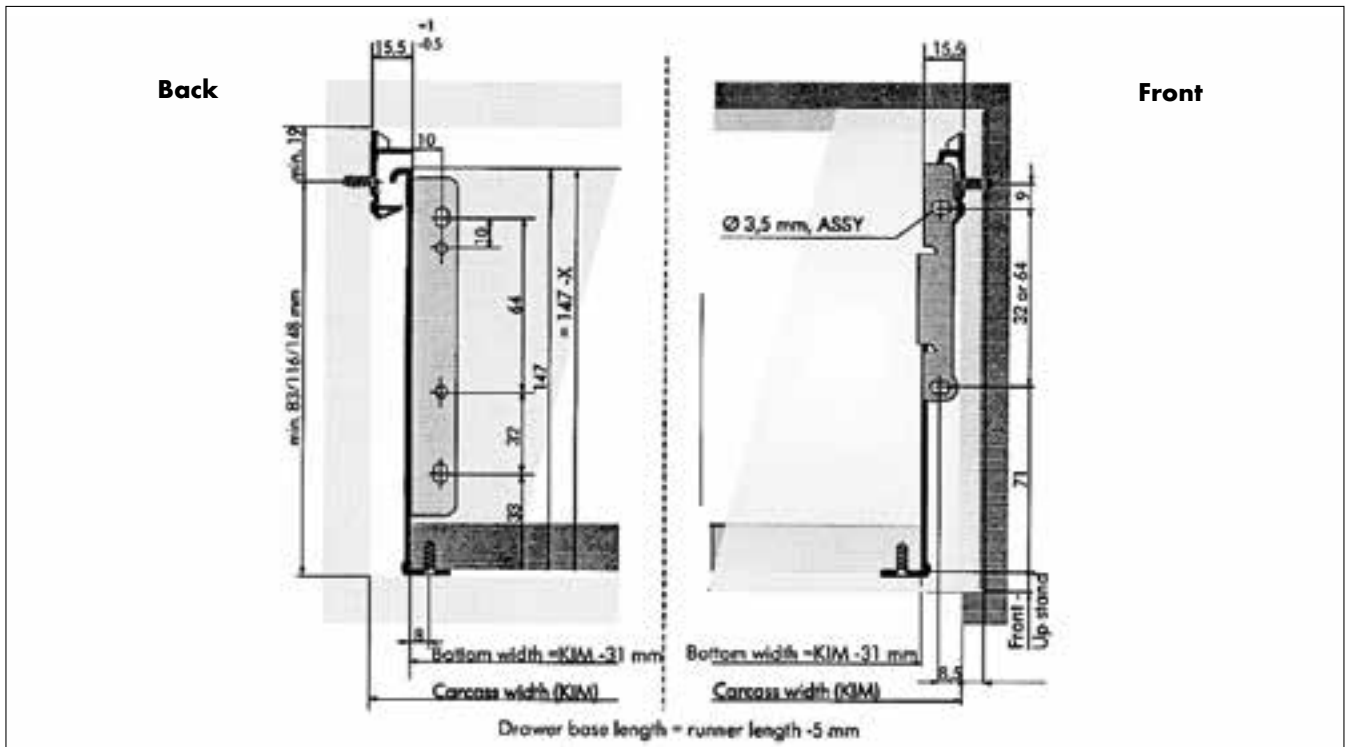
Click On Front Fixing Left

**F084115240**

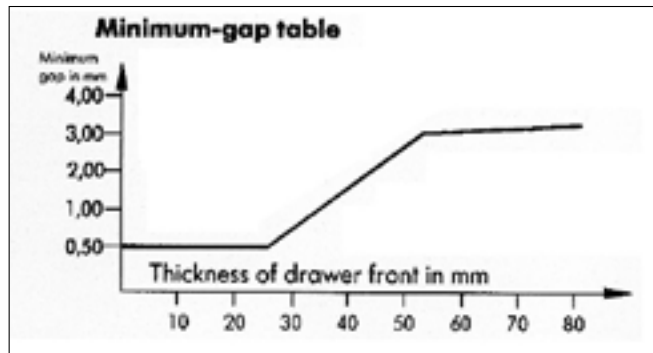
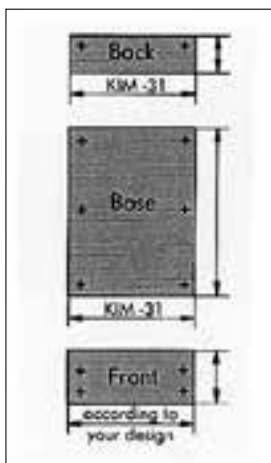
Click On Front Fixing Right

**F084115242**

**Pan Drawer System**

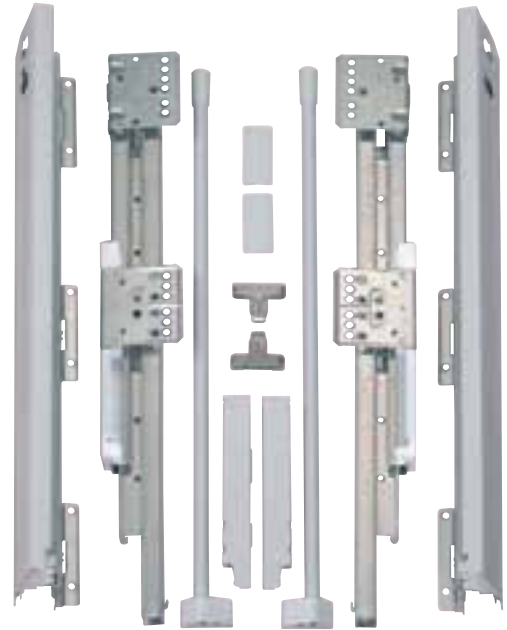
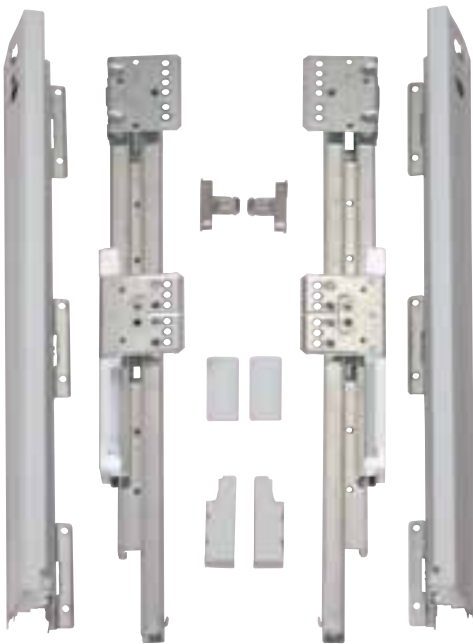


**Drawer Dimensions:**



## DWD XP Set-packing

### Drawer



- Uniform decoration for all models (40, 60, 80kg).
- Back mounting with screws and hammer-in claws.
- Rational, secure mounting without base preparation.
- Integrated removal and transport protection.
- Same width for base and rear wall - rational production, simple component cutting.
- Length - 450mm

- With adapter for high wooden drawer back and railing.
- Multiple organisation options.
- One profile for all applications (40, 60, 80 kg) and attachment systems.
- Back mounting with screws and hammer-in claws.
- Rational, secure mounting without floor preparation.
- Integrated removal and transport protection.
- Length - 450mm

### Standard Art No.:F090075398

**1 set consists of;**

Qty.	Description
1 pair	DWD XP Drawer sides H95
2 pieces	Cover caps
1 pair	Adapter for wooden drawer back H86
2 pieces	Screw-on front fixing
1 pair	Dynamic XP Full extension 40kg Soft-close
1	Mounting instruction

### Pot Art No.:F090075408

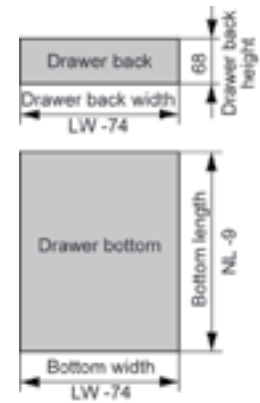
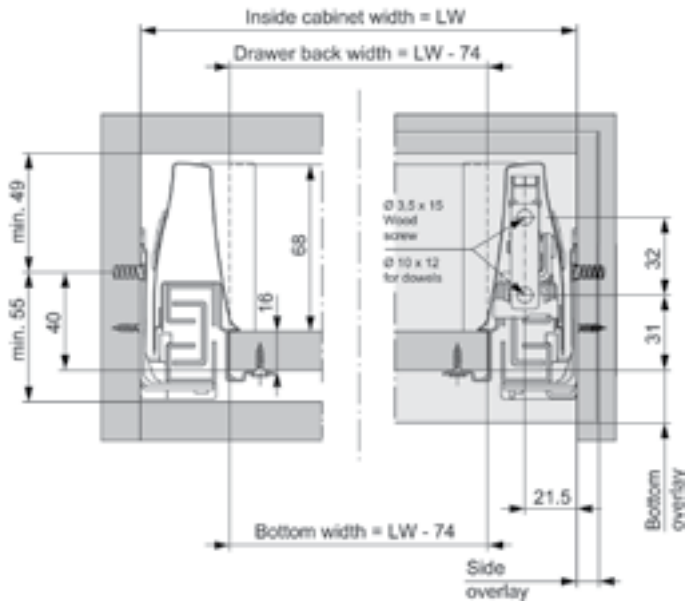
**1 set consists of;**

Qty.	Description
1 pair	DWD XP Drawer sides H95
2 pieces	Cover caps
1 pair	Adapter for wooden drawer back H182
2 pieces	Screw-on front fixing
1 pair	Screw-on railing
1 pair	Dynamic XP Full extension 40kg Soft-close
1	Mounting instruction

- Front fastening with die cast zinc.
- High load-bearing capacity.
- 2 dimensional front adjustment with height adjustment.
- Precise calibration of gap patterns.

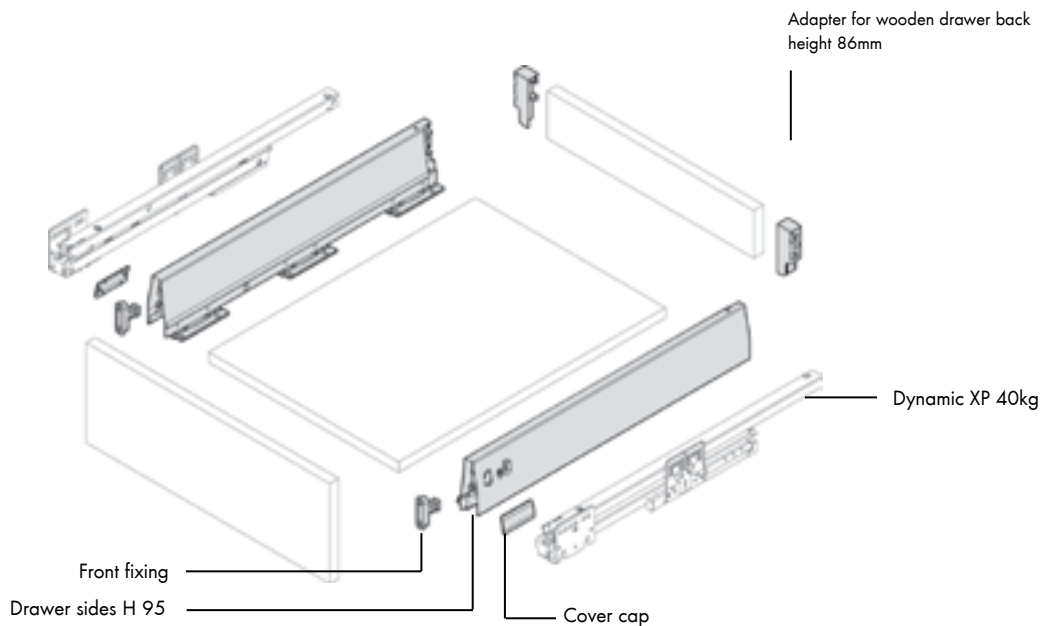
**Mounting positions**

**Cutting dimensions based on 16 mm particle board**



Minimum installation depth = NL  
NL = Nominal length of runner

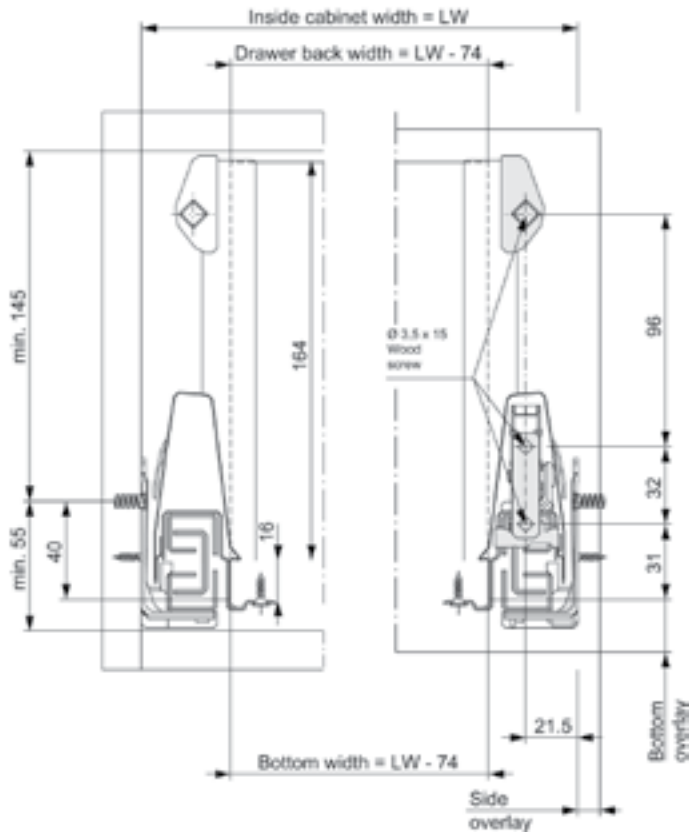
**Drawer with wooden drawer back**



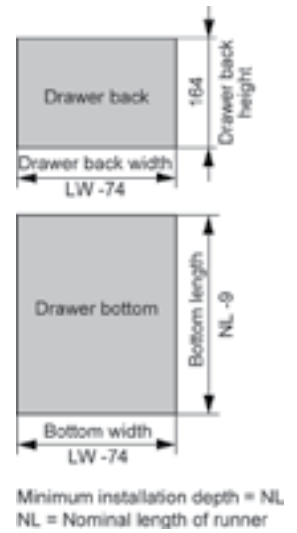
All measurements in millimeters.

- Front fastening with die cast zinc.
- High load-bearing capacity.
- 2 dimensional front adjustment with height adjustment.
- Precise calibration of gap patterns.
- Same width for floor and rear wall.
- Rational production, simple component cutting.

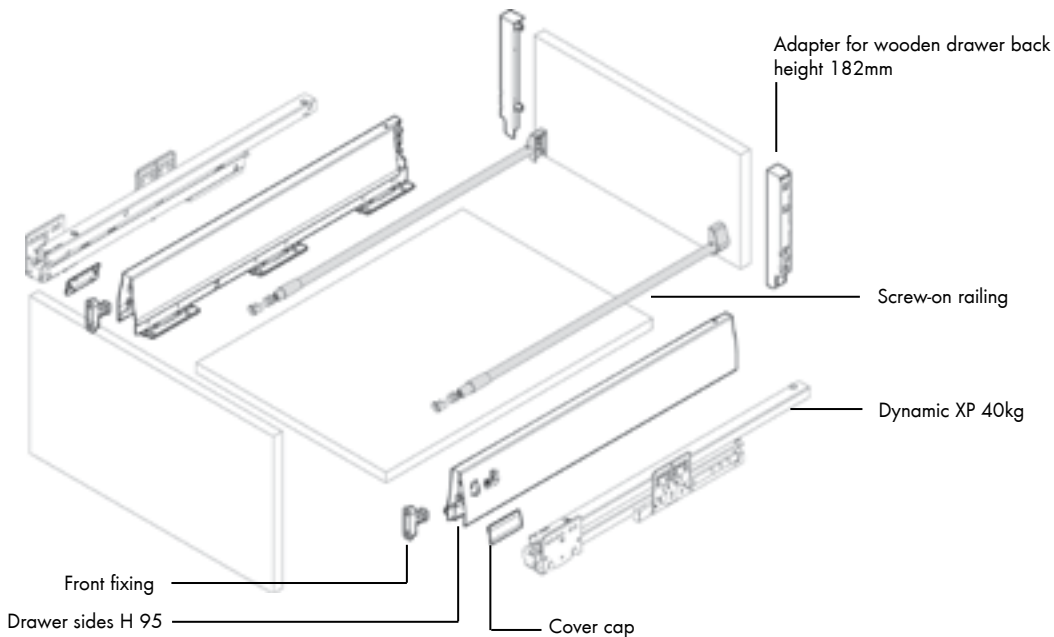
**Mounting positions**



**Cutting dimensions based on 16mm particle board**



**Drawer with wooden drawer back**



All measurements in millimeters.



**G\*GRASS®**

Nominal length (NL)	Load	locking system	Drawer	Art.-Nr.	Qty	DD
250 mm	30 kg	Soft-close	Full extension	<b>F130107760</b>	1/5	DD
270 mm	30 kg	Soft-close	Full extension	<b>F130107761</b>	1/5	
300 mm	30 kg	Soft-close	Full extension	<b>F130107764</b>	1/5	DD
320 mm	30 kg	Soft-close	Full extension	<b>F130107767</b>	1/5	DD
350 mm	30 kg	Soft-close	Full extension	<b>F130107768</b>	1/5	
380 mm	30 kg	Soft-close	Full extension	<b>F130107771</b>	1/5	DD
400 mm	30 kg	Soft-close	Full extension	<b>F130107772</b>	1/5	DD
420 mm	30 kg	Soft-close	Full extension	<b>F130107775</b>	1/5	DD
450 mm	30 kg	Soft-close	Full extension	<b>F130107776</b>	1/5	
480 mm	30 kg	Soft-close	Full extension	<b>F130107779</b>	1/5	DD
500 mm	30 kg	Soft-close	Full extension	<b>F130107780</b>	1/5	DD
520 mm	30 kg	Soft-close	Full extension	<b>F130107783</b>	1/5	DD
550 mm	30 kg	Soft-close	Full extension	<b>F130107784</b>	1/5	
600 mm	30 kg	Soft-close	Full extension	<b>F130107787</b>	1/5	

**Rastkupplung für Dynamoov**



<b>Art.-Nr.</b>	<b>F134101220</b>
<b>VE</b>	1/5/50
<b>Material</b>	Polyoxymethylene

## Dynamoov Soft-close Liquid 30 kg

**With Liquid Soft-close damping system**

**Excellent running, no stopping**

Through fully synchronized run-logs

**Light and precise running culture**

Through abrasion resistant plastic rollers

**High lateral stability**

Through width guide rails

**Smallest extracts**

Also suitable for small drawers

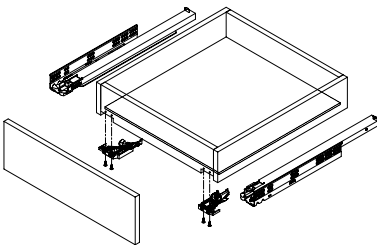
**Narrow jointing**

Thanks to integrated front support

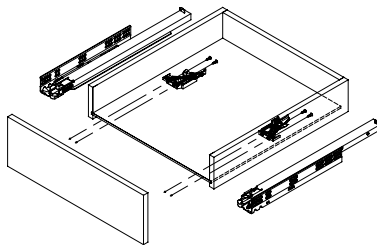
**Note**

A height adjustment of +3.5 mm is possible with the detent coupling.

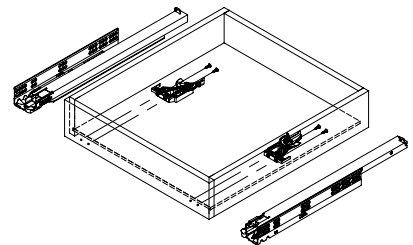
4-sided drawer



4-sided drawer



Inner drawer





**G\*GRASS®**

Nominal length (NL)	Load	locking system	locking system	Art.-Nr.	Qty	DD
250 mm	40 kg	Soft-close	Full extension	<b>F130107790</b>	1/5	<b>DD</b>
270 mm	40 kg	Soft-close	Full extension	<b>F130107793</b>	1/5	<b>DD</b>
300 mm	40 kg	Soft-close	Full extension	<b>F130107796</b>	1/5	<b>DD</b>
320 mm	40 kg	Soft-close	Full extension	<b>F130107799</b>	1/5	<b>DD</b>
350 mm	40 kg	Soft-close	Full extension	<b>F130107802</b>	1/5	<b>DD</b>
380 mm	40 kg	Soft-close	Full extension	<b>F130107805</b>	1/5	<b>DD</b>
400 mm	40 kg	Soft-close	Full extension	<b>F130107808</b>	1/5	<b>DD</b>
420 mm	40 kg	Soft-close	Full extension	<b>F130107811</b>	1/5	
450 mm	40 kg	Soft-close	Full extension	<b>F130107814</b>	1/5	
480 mm	40 kg	Soft-close	Full extension	<b>F130107817</b>	1/5	<b>DD</b>
500 mm	40 kg	Soft-close	Full extension	<b>F130107820</b>	1/5	<b>DD</b>
520 mm	40 kg	Soft-close	Full extension	<b>F130107823</b>	1/5	<b>DD</b>
550 mm	40 kg	Soft-close	Full extension	<b>F130107826</b>	1/5	<b>DD</b>
600 mm	40 kg	Soft-close	Full extension	<b>F130107829</b>	1/5	<b>DD</b>
450 mm	70 kg	Soft-close	Full extension	<b>F130107832</b>	1/5	<b>DD</b>
500 mm	70 kg	Soft-close	Full extension	<b>F130107838</b>	1/5	<b>DD</b>
520 mm	70 kg	Soft-close	Full extension	<b>F130107841</b>	1/5	<b>DD</b>
550 mm	70 kg	Soft-close	Full extension	<b>F130107844</b>	1/5	<b>DD</b>
580 mm	70 kg	Soft-close	Full extension	<b>F130107847</b>	1/5	<b>DD</b>
600 mm	70 kg	Soft-close	Full extension	<b>F130107850</b>	1/5	<b>DD</b>
650 mm	70 kg	Soft-close	Full extension	<b>F130107853</b>	1/5	<b>DD</b>
700 mm	50 kg	Soft-close	Full extension	<b>F130107856</b>	1/5	<b>DD</b>
750 mm	50 kg	Soft-close	Full extension	<b>F130107859</b>	1/5	

**3D ratchet coupling and adjustment adapter**



<b>Art.-Nr.</b>	<b>F134125074</b>
<b>VE</b>	1/50
<b>Material</b>	Zinc die-casting / plastic

**DIRECT DELIVERY**

**3D ratchet coupling and adjustment adapter**



<b>Art.-Nr.</b>	<b>F134117193</b>
<b>VE</b>	1/50
<b>Material</b>	Plastic

**DIRECT DELIVERY**

## DYNAPRO LIQUID SOFT-CLOSE

**With integral liquid soft-close damping system.**

**Full extension, synchronised**

**Dynapro soft-close can also be equipped with Tipmatic function. Optional Tipmatic unit**

- Mechanical opening system for handle-free fronts
- Tool-free assembly of the Tipmatic unit for Tipmatic soft-close function
- One unit for all nominal lengths and weight classes
- 3-stage adjustment of the ejection force
- Large trigger range through synchronisation bar
- Integrated, tool-free 4D adjustment option
- Height adjustment +3.5 mm
- Side adjustment +/-1.5 mm
- Angle adjustment +4 mm
- Front reveal adjustment -1/+3 mm

**Note**

Tipmatic unit suitable from NL 270 mm and body width min. 350 mm.

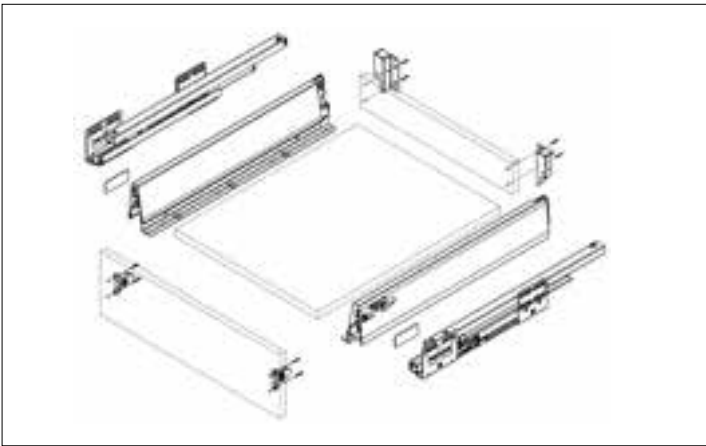
Specified dimensions not binding. Subject to technical changes!



## Würth H84 Drawer Slidebox



- **H84 Drawer set package**
- Full runner, load-bearing capacity: 35 kg
- Tested to 60,000 cycles
- With integrated damping system
- Integrated vertical adjustment of  $\pm 2$  mm and side adjustment of 1 mm



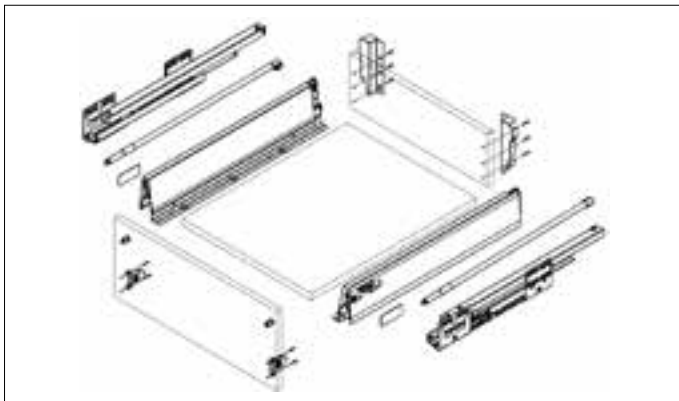
Nominal length	Min. installation depth of drawer in mm	Art. No. Gray set package	P. set
270	280	0684318101	DD
300	310	0684318102	DD
350	360	0684318103	DD
400	410	0684318104	DD
450	460	0684318105	1
500	510	0684318106	DD
550	560	0684318107	DD

Set package comprised of:  
 1 pair of H84 Frames, similar to RAL 7042  
 1 pair of rear wall holders  
 1 pair of full runners  
 1 pair of cover caps  
 1 pair of front attachments for screwing on



## Würth H135 Front Runner Slidebox

- **H135 Front Runner set package**
- Full runner, load-bearing capacity: 35 kg
- Tested to 60,000 cycles
- With integrated damping system
- Integrated vertical adjustment of  $\pm 2$  mm and side adjustment of 1 mm
- Rail for screwing on



Nominal length	Min. installation depth in mm	Art. No. Gray set package		P. set
270	280	<b>0684318108</b>	<b>DD</b>	1
300	310	<b>0684318109</b>	<b>DD</b>	
350	360	<b>0684318110</b>	<b>DD</b>	
400	410	<b>0684318111</b>	<b>DD</b>	
450	460	<b>0684318112</b>		
500	510	<b>0684318113</b>	<b>DD</b>	
550	560	<b>0684318114</b>	<b>DD</b>	

Set package comprised of:  
 1 pair of H84 Frames, similar to RAL 7042  
 1 pair of rear wall holders  
 1 pair of full runners  
 1 pair of cover caps  
 1 pair of front attachments for screwing on  
 1 pair of rails for screwing on



## Würth Ball-Bearing Guide, Full Extension, Unhinged 45kg

- Full extension guide
- Screw-on assembly
- Height 45 mm
- Certified for 50,000 cycles

**Art. No. 0684303** \* \* \*  
 Pack/Qty.: 1/10



## Würth Ball-Bearing Guide, Full Extension, Soft Close, 25 Kg

- Full extension guide
- Integrated dampening system
- Screw-on assembly
- Height 45 mm
- Certified for 50,000 cycles

**Art. No. 0684530** \* \* \*  
 Pack/Qty.: 1/10

The star in your cabinet

**HANDLES**  
**THE WÜRTH COLLECTION**



**Flat Top Knob**



<b>Black 33mm</b>	5997592315
<b>Nickle 33mm</b>	0685310951
<b>Bronze 33mm</b>	5997592316

**D Handle Black**



<b>128mm</b>	0685213901
--------------	------------

**D Handle Brushed Nickle**



<b>128mm</b>	0685213900
--------------	------------

**D Handle Bronze**



<b>128mm</b>	59975592317
--------------	-------------

**T- Bar**



<b>128mm</b>	0685237997
<b>160mm</b>	0685237921
<b>256mm</b>	0685237922
<b>352mm</b>	0685237998

**Bow Handle Brushed Nickle**



<b>128mm</b>	0685310960
--------------	------------

**Bow Handle Black**



<b>128mm</b>	5997592318
--------------	------------

**Bow Handle Bronze**



<b>128mm</b>	5997592319
--------------	------------

**Block Key Handle**



<b>160mm x 180mm</b>	5997592321
<b>209mm x 237mm</b>	5997592322
<b>309mm x 337mm</b>	5997592323

**Crystal Knob**



<b>35mm</b>	5997592320
-------------	------------

**Oxford Knob Gun Metal**



<b>38mm</b>	5997592211
-------------	------------

**Oxford Cup Handle Gun Metal**



<b>76mm</b>	599759314
-------------	-----------



**Oxford Knob Chrome**



**38mm** 5997592209

**Oxford Cup Handle Chrome**



**76mm** 5997592312

**Oxford Knob Satin Nickel**



**38mm** 5997592210

**Oxford Cup Handle Satin Nickel**



**76mm** 5997592313

**Paddle Handle Brushed Nickel**



**128mm** 5997592324

**Flat D Handle Brushed Nickel**



**128mm** 5997592325



**Amo Screws**



- For attachment in concrete and solid brickwork. With countersunk milling head for easy sinking in wood and plastic profiles.

**Art.No. 0234130 \*\*\***

**Jigsaw Blades**



- For sawing hard and soft woods, laminated fibreboards, plywood, bonded wood, particle boards

**Art.No. 060811591**

**Plasterboard Dowels**



- For secondary attachments in gypsum plasterboard/fibreboard panels and light building boards

**Art.No. 0903252**

**Soft Wax Assortment**



- 20 pieces, for filling smaller damaged areas that are not later exposed to major loads, in classic brown colours

**Art.No. 09648904**

**Twist Drill Bit HSS 12.5mm**



Cold formed drill bits for working in steel, timber and plastics.

- Tip angle 118°

**Art.No. 0625 ...**

**Masonry Bits**



- Noticeably quicker drilling
- Optimum drilling performance
- Precise drilling

**Art.No. 0648 ...**

**Safety Knife**



- Solid 3 component design with metal plastic handle and automatic blade locking
- Clamping wheel fixes the blade in the stainless steel guide.

**Art.No. 071566 013**

**18v Drill**



**Art.No. 5700...**

**Circular Saw**



**Art.No. 070022701**

**AW Bit 30 1/4"**

- Improved force transfer
- Length: 25 mm



**Art. No. 06145130**

**Pozi 2 Bit**

- Tip size - PZ2
- Drive type - Outer hexagon
- Length -25 mm



**Art. No. 0614176652**

**Magnetic Holder**



- Stainless steel sleeve, snap ring and permanent magnet

**Art.No. 0614176702**

**Painters Mate**



- High-quality acrylic sealant for expansion joints in indoor and outdoor areas

**NEW**

**Art.No. 08921611 /0892165**

**Multi Fit Gloves**



- Universal and robust
- Good resistance to many greases and oils in low quantities

**Art.No. 0899405** \* \* \* \*

**Folding Ruler**



- Fibreglass-reinforced, high-quality folding rule for the very toughest jobs

**Art.No. 071564 605**

**Wood filler**



- Polyester, styrene free
- Processing time: 30 min

**OTHER COLOURS AVAILABLE**

**Art.No. 0890301** \* \* \*

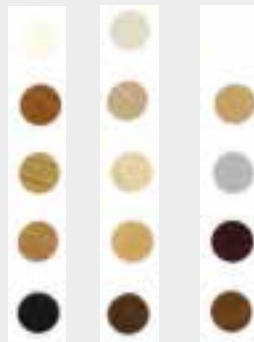
**High Visibility Vest, Class 2**



- Universal size. Can be adjusted to any size using a double ring fastener
- EN ISO 20471, class 2 standard

**Art.No. 0899078011**

**Cover Cap, Self-Adhesive**



**OTHER COLOURS AVAILABLE**

**Art.No. 0590218**

**Adhesive Door Buffers**



- For doors with catches or spring hinges
- Material - Polyurethane
- Diameter - 8 mm
- Height - 1.5 mm

**Art.No. 0683135**

**Screw Anchor WG-FIX, Raised Countersunk Head**

- Universal screw anchor for easy secondary fastening



**NEW**

P.Qty. 1

**Art. No. 0189306345**

**Light Metal Spirit Level 1m**



- Excellent readability and long service life
- No discolouration of liquid, maximum precision with temperature fluctuations
- Very smooth surface, therefore easy to clean
- High precision
- Other lengths available

**Art.No. 0714644** \* \* \*

**Distance Meter**



- Digital position finder for locating metal, wood and electrical cables

**NEW**

**Art.No. 5709300800**

**Screw Anchor WG-FIX, Pan Head**

- For fastening curtain rails, baseboards, picture frames, bathroom and kitchen accessories, etc



**NEW**

P.Qty. 1

**Art. No. 018936330**

**Laser Range Finder WDM 3-12**



- Highly precise distance measuring unit according to ISO standard 16331-1.
- Technical specifications (accuracy  $\pm 1.0$  mm, range 80 m) satisfies all the requirements of the new ISO Standard 16331-1
- Large illuminated display
- Cubic measurement function
- Extremely sturdy, handy device

P.Qty. 1

**Art.No. 5709300508**

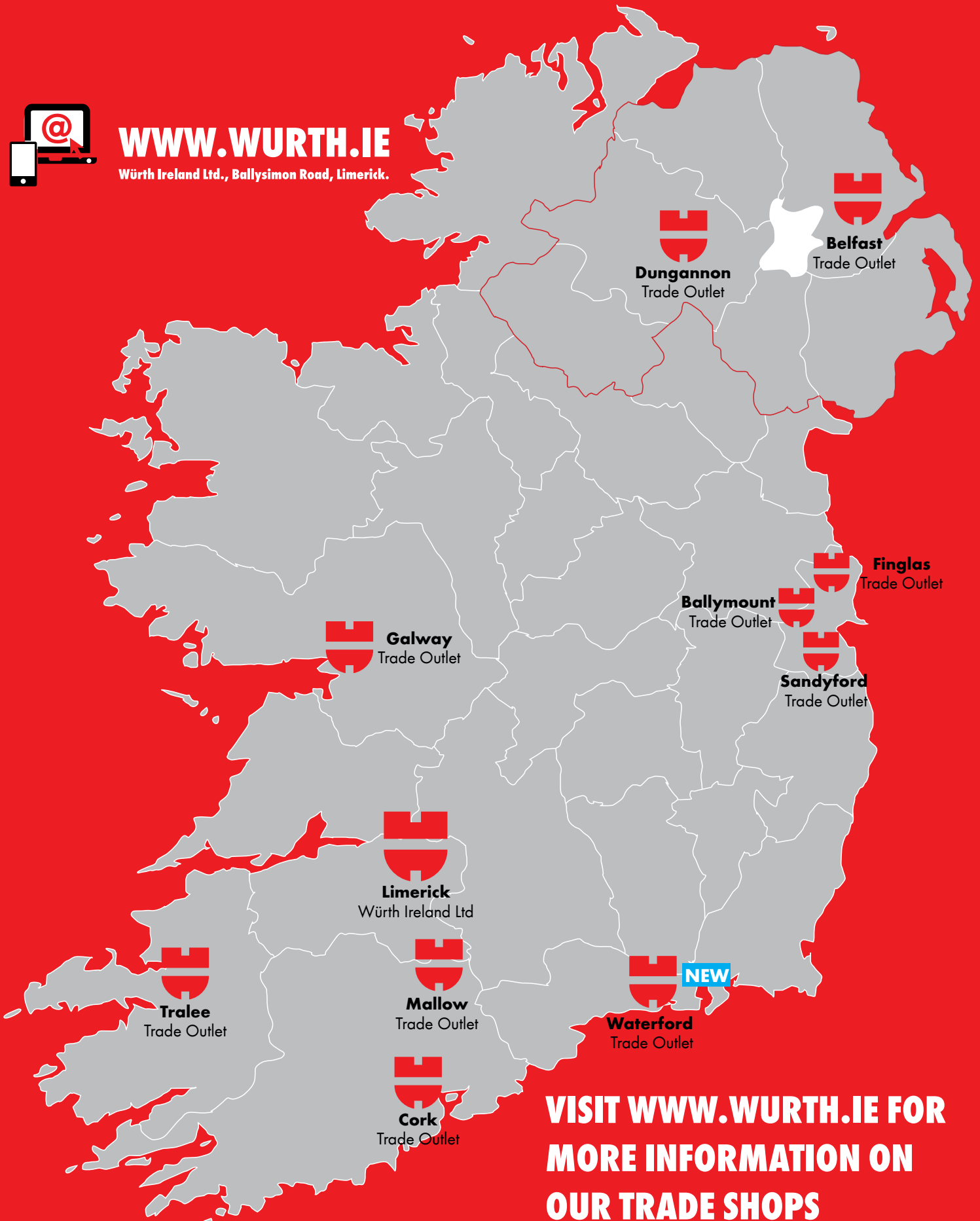
**NEW**

# WURTH TRADESHOPS AROUND IRELAND



**WWW.WURTH.IE**

Würth Ireland Ltd., Ballysimon Road, Limerick.



**VISIT WWW.WURTH.IE FOR  
MORE INFORMATION ON  
OUR TRADE SHOPS**