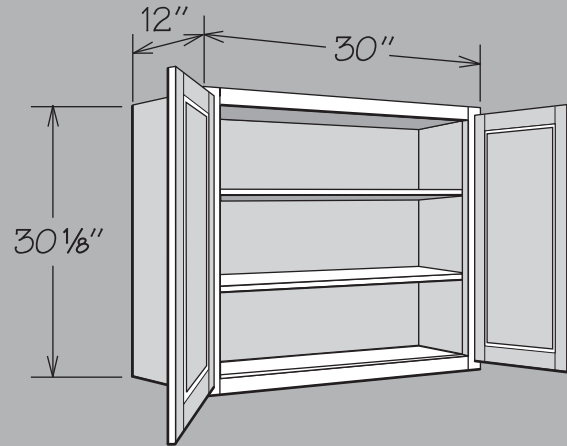


Wall Cabinets



Dimensions

Width	Height	Depth
9" to 48"	12" to 42"	Standard 12" or 24" (Increased Depth & Reduced Depth optional on select cabinets)

SKU Coding

W	30	30	BUTT
Cabinet Type (e.g., W=Wall)	Width in Inches	Height in Inches	Door Type

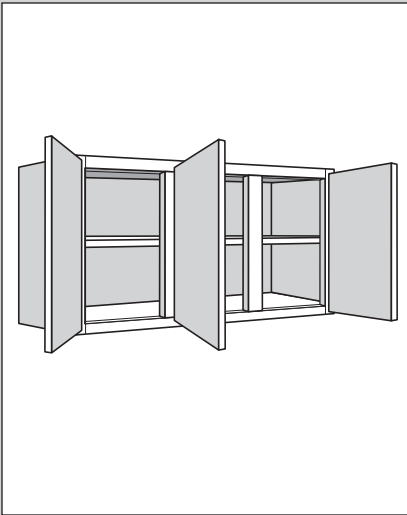
Construction Options & Modifications

APCAll Plywood Construction
CFO Cabinet Front Only
FE Furniture Ends
ID Increased Depth
MI Matching Interior
PE Plywood Ends
RD Reduced Depth
VDO Void Door Option

Specialty Door (SD) Cabinet Options

AFBA Aluminum Frame - Brushed Aluminum
AFVI Aluminum Frame - Vintage Iron
HFD Horizontal Frame Door
MFD Mullion Frame Door
OFD Open Frame Door
PFD Prairie Frame Door

Standard Wall Cabinets

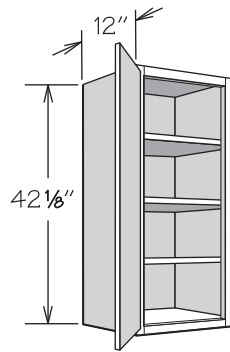


Standard Wall cabinets range from 9" to 48" wide, 12" to 42" high and are 12" deep.

Single door Wall cabinets must be ordered hinged left or right.

For Increased Depth cabinets, please refer to the installation notes listed in the Increased Depth Construction Option section.

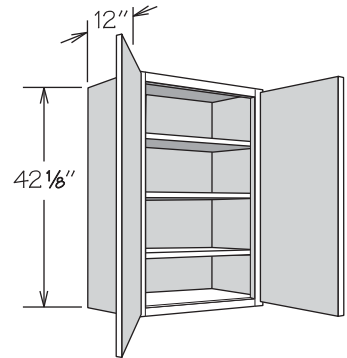
Wall Cabinet
42" High, 1 Door



- | | |
|---------|-------|
| ■ W942 | APC |
| ■ W1242 | CFO |
| ■ W1542 | FE |
| ■ W1842 | ID |
| ■ W2142 | ■ MI |
| | PE |
| | RD |
| | ■ VDO |
- W1242 SD
W1542 SD
W1842 SD
W2142 SD

- Three adjustable shelves

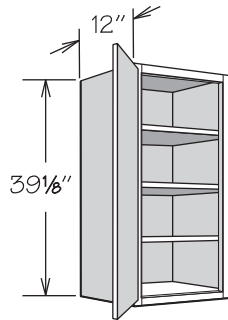
Wall Cabinet
42" High, 2 Butt Doors



- | | |
|--------------|-------|
| ■ W2442 BUTT | APC |
| ■ W2742 BUTT | CFO |
| ■ W3042 BUTT | FE |
| ■ W3342 BUTT | ID |
| ■ W3642 BUTT | ■ MI |
| | PE |
| | RD |
| | ■ VDO |
- W2442 BUTT SD
W2742 BUTT SD
W3042 BUTT SD
W3342 BUTT SD
W3642 BUTT SD

- Three adjustable shelves

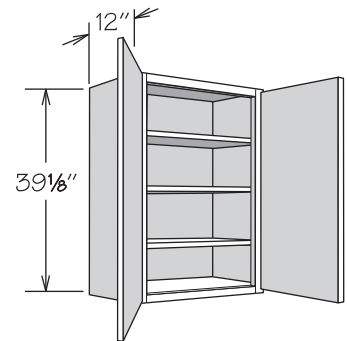
Wall Cabinet
39" High, 1 Door



- | | |
|---------|-------|
| ■ W939 | APC |
| ■ W1239 | CFO |
| ■ W1539 | FE |
| ■ W1839 | ID |
| ■ W2139 | ■ MI |
| | PE |
| | RD |
| | ■ VDO |
- W1239 SD
W1539 SD
W1839 SD
W2139 SD

- Three adjustable shelves

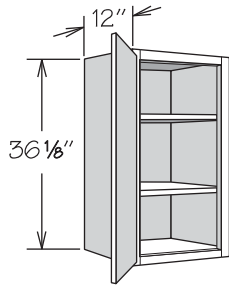
Wall Cabinet
39" High, 2 Butt Doors



- | | |
|--------------|-------|
| ■ W2439 BUTT | APC |
| ■ W2739 BUTT | CFO |
| ■ W3039 BUTT | FE |
| ■ W3339 BUTT | ID |
| ■ W3639 BUTT | ■ MI |
| | PE |
| | RD |
| | ■ VDO |
- W2439 BUTT SD
W2739 BUTT SD
W3039 BUTT SD
W3339 BUTT SD
W3639 BUTT SD

- Three adjustable shelves

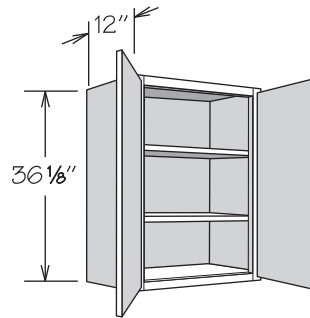
Wall Cabinet
36" High, 1 Door



- | | | | | | | | | | |
|---|--|-----|-----|----|----|------|----|----|-------|
| <ul style="list-style-type: none"> ■ W936 ■ W1236 ■ W1536 ■ W1836 ■ W2136 <p>W1236 SD
W1536 SD
W1836 SD
W2136 SD</p> | <table border="0"> <tr><td>APC</td></tr> <tr><td>CFO</td></tr> <tr><td>FE</td></tr> <tr><td>ID</td></tr> <tr><td>■ MI</td></tr> <tr><td>PE</td></tr> <tr><td>RD</td></tr> <tr><td>■ VDO</td></tr> </table> | APC | CFO | FE | ID | ■ MI | PE | RD | ■ VDO |
| APC | | | | | | | | | |
| CFO | | | | | | | | | |
| FE | | | | | | | | | |
| ID | | | | | | | | | |
| ■ MI | | | | | | | | | |
| PE | | | | | | | | | |
| RD | | | | | | | | | |
| ■ VDO | | | | | | | | | |

- Two adjustable shelves

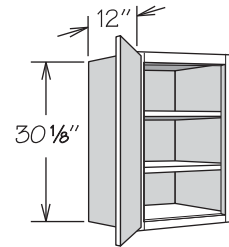
Wall Cabinet
36" High, 2 Butt Doors



- | | | | | | | | | | |
|---|--|-----|-----|----|----|------|----|----|-------|
| <ul style="list-style-type: none"> ■ W2436 BUTT ■ W2736 BUTT ■ W3036 BUTT ■ W3336 BUTT ■ W3636 BUTT <p>W2436 BUTT SD
W2736 BUTT SD
W3036 BUTT SD
W3336 BUTT SD
W3636 BUTT SD</p> | <table border="0"> <tr><td>APC</td></tr> <tr><td>CFO</td></tr> <tr><td>FE</td></tr> <tr><td>ID</td></tr> <tr><td>■ MI</td></tr> <tr><td>PE</td></tr> <tr><td>RD</td></tr> <tr><td>■ VDO</td></tr> </table> | APC | CFO | FE | ID | ■ MI | PE | RD | ■ VDO |
| APC | | | | | | | | | |
| CFO | | | | | | | | | |
| FE | | | | | | | | | |
| ID | | | | | | | | | |
| ■ MI | | | | | | | | | |
| PE | | | | | | | | | |
| RD | | | | | | | | | |
| ■ VDO | | | | | | | | | |

- Two adjustable shelves

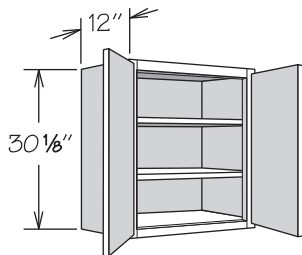
Wall Cabinet
30" High, 1 Door



- | | | | | | | | | | |
|--|--|-----|-----|----|----|------|----|----|-------|
| <ul style="list-style-type: none"> ■ W930 ■ W1230 ■ W1530 ■ W1830 ■ W2130 ■ W2430 <p>W1230 SD
W1530 SD
W1830 SD
W2130 SD</p> | <table border="0"> <tr><td>APC</td></tr> <tr><td>CFO</td></tr> <tr><td>FE</td></tr> <tr><td>ID</td></tr> <tr><td>■ MI</td></tr> <tr><td>PE</td></tr> <tr><td>RD</td></tr> <tr><td>■ VDO</td></tr> </table> | APC | CFO | FE | ID | ■ MI | PE | RD | ■ VDO |
| APC | | | | | | | | | |
| CFO | | | | | | | | | |
| FE | | | | | | | | | |
| ID | | | | | | | | | |
| ■ MI | | | | | | | | | |
| PE | | | | | | | | | |
| RD | | | | | | | | | |
| ■ VDO | | | | | | | | | |

- Two adjustable shelves

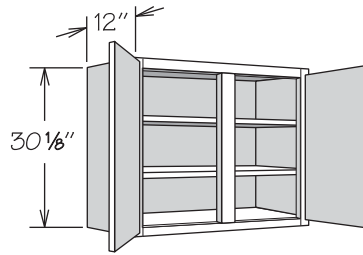
Wall Cabinet
30" High, 2 Butt Doors



- | | | | | | | | | | |
|---|--|-----|-----|----|----|------|----|----|-------|
| <ul style="list-style-type: none"> ■ W2430 BUTT ■ W2730 BUTT ■ W3030 BUTT ■ W3330 BUTT ■ W3630 BUTT <p>W2430 BUTT SD
W2730 BUTT SD
W3030 BUTT SD
W3330 BUTT SD
W3630 BUTT SD</p> | <table border="0"> <tr><td>APC</td></tr> <tr><td>CFO</td></tr> <tr><td>FE</td></tr> <tr><td>ID</td></tr> <tr><td>■ MI</td></tr> <tr><td>PE</td></tr> <tr><td>RD</td></tr> <tr><td>■ VDO</td></tr> </table> | APC | CFO | FE | ID | ■ MI | PE | RD | ■ VDO |
| APC | | | | | | | | | |
| CFO | | | | | | | | | |
| FE | | | | | | | | | |
| ID | | | | | | | | | |
| ■ MI | | | | | | | | | |
| PE | | | | | | | | | |
| RD | | | | | | | | | |
| ■ VDO | | | | | | | | | |

- Two adjustable shelves

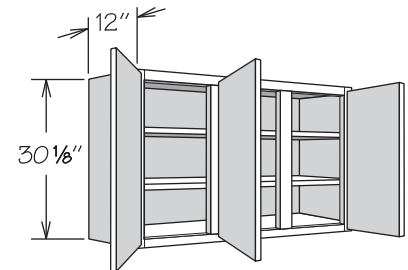
Wall Cabinet
30" High, 2 Doors



- | | | | | | | | | |
|--|---|-----|-----|----|------|----|----|-------|
| <ul style="list-style-type: none"> ■ W3930 ■ W4230 ■ W4830 <p>W3930 SD
W4230 SD</p> | <table border="0"> <tr><td>APC</td></tr> <tr><td>CFO</td></tr> <tr><td>FE</td></tr> <tr><td>■ MI</td></tr> <tr><td>PE</td></tr> <tr><td>RD</td></tr> <tr><td>■ VDO</td></tr> </table> | APC | CFO | FE | ■ MI | PE | RD | ■ VDO |
| APC | | | | | | | | |
| CFO | | | | | | | | |
| FE | | | | | | | | |
| ■ MI | | | | | | | | |
| PE | | | | | | | | |
| RD | | | | | | | | |
| ■ VDO | | | | | | | | |

- Two adjustable shelves

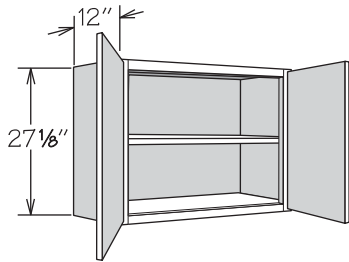
Wall Cabinet
30" High, 3 Doors



- | | | | | | | | | |
|---|---|-----|-----|----|------|----|----|-------|
| <ul style="list-style-type: none"> ■ W4530 <p>W4530 SD</p> | <table border="0"> <tr><td>APC</td></tr> <tr><td>CFO</td></tr> <tr><td>FE</td></tr> <tr><td>■ MI</td></tr> <tr><td>PE</td></tr> <tr><td>RD</td></tr> <tr><td>■ VDO</td></tr> </table> | APC | CFO | FE | ■ MI | PE | RD | ■ VDO |
| APC | | | | | | | | |
| CFO | | | | | | | | |
| FE | | | | | | | | |
| ■ MI | | | | | | | | |
| PE | | | | | | | | |
| RD | | | | | | | | |
| ■ VDO | | | | | | | | |

- Two adjustable shelves
- Hinged as shown

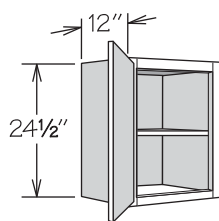
Wall Cabinet
27" High, 2 Butt Doors



<ul style="list-style-type: none"> ■ W3027 BUTT W3027 BUTT SD 	<table border="0"> <tr><td>■ APC</td></tr> <tr><td>■ CFO</td></tr> <tr><td>■ FE</td></tr> <tr><td>■ ID</td></tr> <tr><td>■ MI</td></tr> <tr><td>■ PE</td></tr> <tr><td>■ RD</td></tr> <tr><td>■ VDO</td></tr> </table>	■ APC	■ CFO	■ FE	■ ID	■ MI	■ PE	■ RD	■ VDO
■ APC									
■ CFO									
■ FE									
■ ID									
■ MI									
■ PE									
■ RD									
■ VDO									

- One adjustable shelf

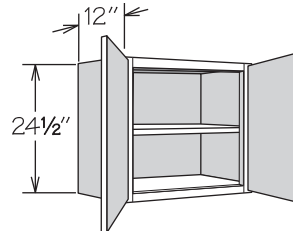
Wall Cabinet
24" High, 1 Door



<ul style="list-style-type: none"> ■ W1224 ■ W1524 ■ W1824 ■ W2124 W1224 SD W1524 SD W1824 SD W2124 SD 	<table border="0"> <tr><td>■ APC</td></tr> <tr><td>■ CFO</td></tr> <tr><td>■ FE</td></tr> <tr><td>■ ID</td></tr> <tr><td>■ MI</td></tr> <tr><td>■ PE</td></tr> <tr><td>■ RD</td></tr> <tr><td>■ VDO</td></tr> </table>	■ APC	■ CFO	■ FE	■ ID	■ MI	■ PE	■ RD	■ VDO
■ APC									
■ CFO									
■ FE									
■ ID									
■ MI									
■ PE									
■ RD									
■ VDO									

- One adjustable shelf

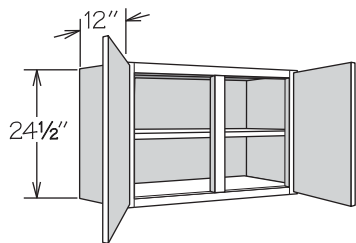
Wall Cabinet
24" High, 2 Butt Doors



<ul style="list-style-type: none"> ■ W2424 BUTT ■ W2724 BUTT ■ W3024 BUTT ■ W3324 BUTT ■ W3624 BUTT W2424 BUTT SD W2724 BUTT SD W3024 BUTT SD W3324 BUTT SD W3624 BUTT SD 	<table border="0"> <tr><td>■ APC</td></tr> <tr><td>■ CFO</td></tr> <tr><td>■ FE</td></tr> <tr><td>■ ID</td></tr> <tr><td>■ MI</td></tr> <tr><td>■ PE</td></tr> <tr><td>■ RD</td></tr> <tr><td>■ VDO</td></tr> </table>	■ APC	■ CFO	■ FE	■ ID	■ MI	■ PE	■ RD	■ VDO
■ APC									
■ CFO									
■ FE									
■ ID									
■ MI									
■ PE									
■ RD									
■ VDO									

- One adjustable shelf

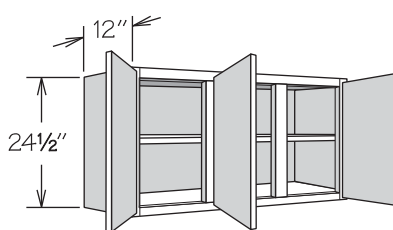
Wall Cabinet
24" High, 2 Doors



<ul style="list-style-type: none"> ■ W3924 ■ W4224 W3924 SD W4224 SD 	<table border="0"> <tr><td>■ APC</td></tr> <tr><td>■ CFO</td></tr> <tr><td>■ FE</td></tr> <tr><td>■ MI</td></tr> <tr><td>■ PE</td></tr> <tr><td>■ RD</td></tr> <tr><td>■ VDO</td></tr> </table>	■ APC	■ CFO	■ FE	■ MI	■ PE	■ RD	■ VDO
■ APC								
■ CFO								
■ FE								
■ MI								
■ PE								
■ RD								
■ VDO								

- One adjustable shelf

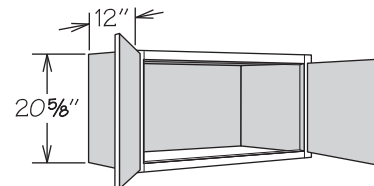
Wall Cabinet
24" High, 3 Doors



<ul style="list-style-type: none"> ■ W4524 W4524 SD 	<table border="0"> <tr><td>■ APC</td></tr> <tr><td>■ CFO</td></tr> <tr><td>■ FE</td></tr> <tr><td>■ MI</td></tr> <tr><td>■ PE</td></tr> <tr><td>■ RD</td></tr> <tr><td>■ VDO</td></tr> </table>	■ APC	■ CFO	■ FE	■ MI	■ PE	■ RD	■ VDO
■ APC								
■ CFO								
■ FE								
■ MI								
■ PE								
■ RD								
■ VDO								

- One adjustable shelf
- Hinged as shown

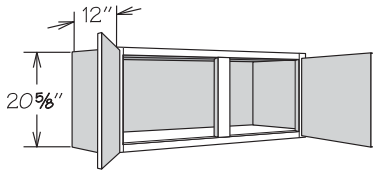
Wall Cabinet
21" High, 2 Butt Doors



<ul style="list-style-type: none"> ■ W3021 BUTT ■ W3321 BUTT ■ W3621 BUTT W3021 BUTT SD W3321 BUTT SD W3621 BUTT SD 	<table border="0"> <tr><td>■ APC</td></tr> <tr><td>■ CFO</td></tr> <tr><td>■ FE</td></tr> <tr><td>■ ID</td></tr> <tr><td>■ MI</td></tr> <tr><td>■ PE</td></tr> <tr><td>■ RD</td></tr> <tr><td>■ VDO</td></tr> </table>	■ APC	■ CFO	■ FE	■ ID	■ MI	■ PE	■ RD	■ VDO
■ APC									
■ CFO									
■ FE									
■ ID									
■ MI									
■ PE									
■ RD									
■ VDO									

- No shelf
- Not drilled for adjustable shelf

Wall Cabinet
21" High, 2 Doors

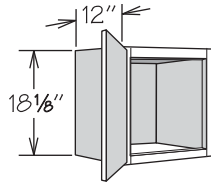


- W3921
- W3921 SD

APC
CFO
FE
■ MI
PE
RD
■ VDO

- No shelf
- Not drilled for adjustable shelf

Wall Cabinet
18" High, 1 Door

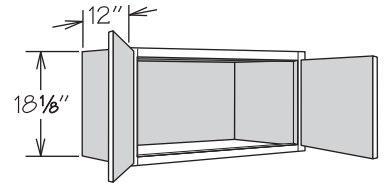


- W1218
- W1518
- W1818
- W2118
- W1218 SD
- W1518 SD
- W1818 SD
- W2118 SD

APC
CFO
FE
ID
■ MI
PE
RD
■ VDO

- No shelf
- Not drilled for adjustable shelf
- W1218 and W1518 are not available in legacy Hickory

Wall Cabinet
18" High, 2 Butt Doors

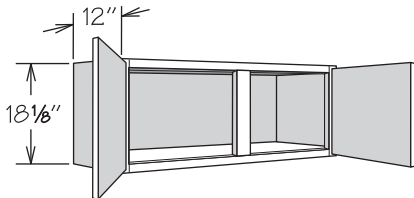


- W2418 BUTT
- W2718 BUTT
- W3018 BUTT
- W3318 BUTT
- W3618 BUTT
- W2418 BUTT SD
- W2718 BUTT SD
- W3018 BUTT SD
- W3318 BUTT SD
- W3618 BUTT SD

APC
CFO
FE
ID
■ MI
PE
RD
■ VDO

- No shelf
- Not drilled for adjustable shelf

Wall Cabinet
18" High, 2 Doors

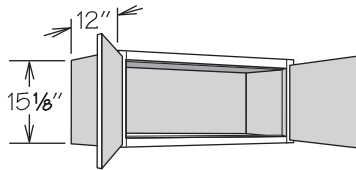


- W3918
- W4218
- W3918 SD
- W4218 SD

APC
CFO
FE
■ MI
PE
RD
■ VDO

- No shelf
- Not drilled for adjustable shelf

Wall Cabinet
15" High, 2 Butt Doors

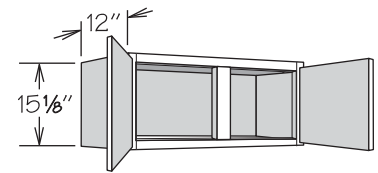


- W3015 BUTT
- W3315 BUTT
- W3615 BUTT
- W3015 BUTT SD
- W3315 BUTT SD
- W3615 BUTT SD

APC
CFO
FE
ID
■ MI
PE
RD
■ VDO

- No shelf
- Not drilled for adjustable shelf

Wall Cabinet
15" High, 2 Doors

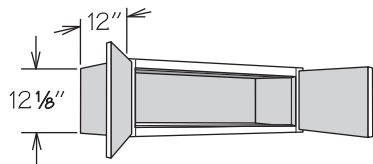


- W3915
- W3915 SD

APC
CFO
FE
■ MI
PE
RD
■ VDO

- No shelf
- Not drilled for adjustable shelf

Wall Cabinet
12" High, 2 Butt Doors

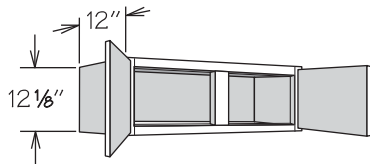


- W3012 BUTT
- W3312 BUTT
- W3612 BUTT
- W3012 BUTT SD
- W3312 BUTT SD
- W3612 BUTT SD

APC
CFO
FE
ID
■ MI
PE
RD
■ VDO

- No shelf
- Not drilled for adjustable shelf
- 12" High Specialty Door cabinets (SD) with the Prairie Frame Door Option (PFD) only available for Breckenridge, Breckenridge w/ DFO and Cottage door styles (excluding all Duraform door styles)

Wall Cabinet
12" High, 2 Doors

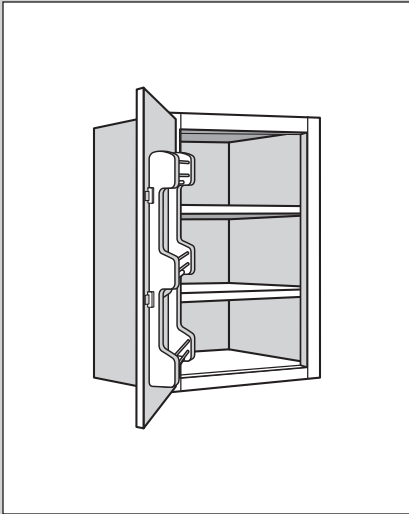


- W3912
- W3912 SD

APC
CFO
FE
■ MI
PE
RD
■ VDO

- No shelf
- Not drilled for adjustable shelf
- 12" High Specialty Door cabinets (SD) with the Prairie Frame Door Option (PFD) only available for Breckenridge, Breckenridge w/ DFO and Cottage door styles (excluding all Duraform door styles)

Wall Cabinets with Spice Rack

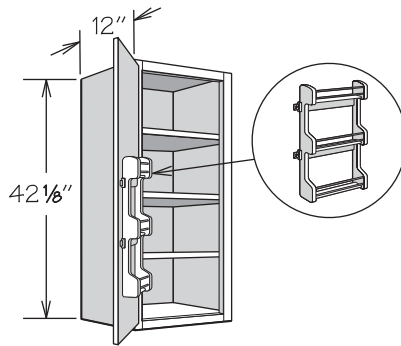


Wall cabinets with Spice Rack range from 15" to 21" wide, 30" to 42" high and are 12" deep.

Wall cabinets with Spice Rack must be ordered hinged left or right.

For Increased Depth cabinets, please refer to the installation notes listed in the Increased Depth Option Section.

Wall Cabinet
42" High, 1 Door with Spice Rack

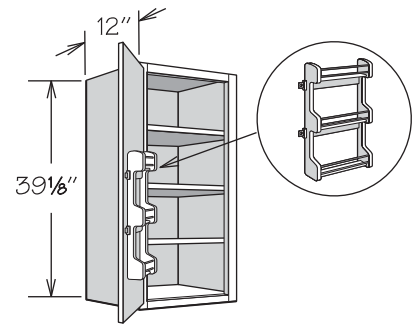


W1542 SR
W1842 SR
W2142 SR

APC
FE
ID
MI
PE

- Three adjustable shelves
- Spice Rack Kit packaged separately for field installation
- Position adjustable shelves prior to installation
- Kit in natural finish solid wood features chrome rails and three fixed shelves

Wall Cabinet
39" High, 1 Door with Spice Rack

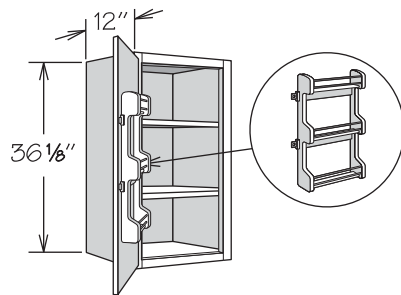


W1539 SR
W1839 SR
W2139 SR

APC
FE
ID
MI
PE

- Three adjustable shelves
- Spice Rack Kit packaged separately for field installation
- Position adjustable shelves prior to installation
- Kit in natural finish solid wood features chrome rails and three fixed shelves

Wall Cabinet
36" High, 1 Door with Spice Rack

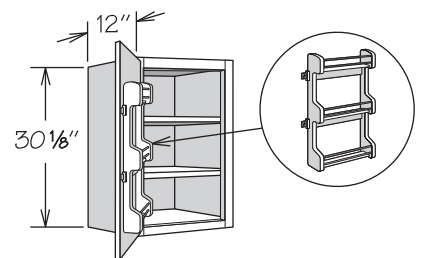


W1536 SR
W1836 SR
W2136 SR

APC
FE
ID
MI
PE

- Two adjustable shelves
- Spice Rack Kit packaged separately for field installation
- Position adjustable shelves prior to installation
- Kit in natural finish solid wood features chrome rails and three fixed shelves

Wall Cabinet
30" High, 1 Door with Spice Rack

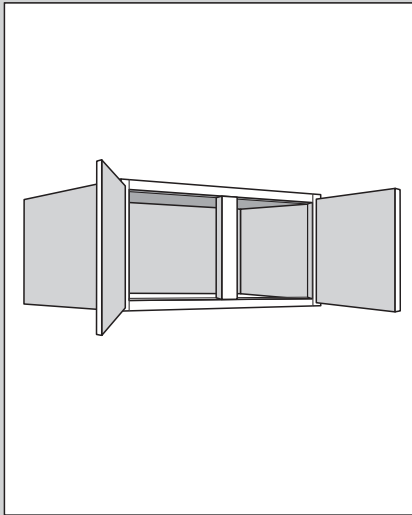


W1530 SR
W1830 SR
W2130 SR

APC
FE
ID
MI
PE

- Two adjustable shelves
- Spice Rack Kit packaged separately for field installation
- Position adjustable shelves prior to installation
- Kit in natural finish solid wood features chrome rails and three fixed shelves

Refrigerator Wall Cabinets



Refrigerator Wall cabinets range from 12" to 27" high and are 24" deep.

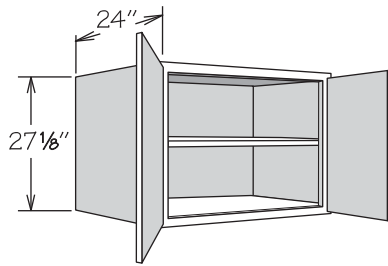


To ensure proper door function on a Refrigerator Wall cabinet, allow enough clearance for the top hinge(s) on the refrigerator door. Review refrigerator manufacturer's specifications for dimensions and clearance requirements.

When a 24" Deep Refrigerator Wall cabinet is used in a design, remember that each side of cabinet must be attached to a cabinet, wall or Refrigerator Return Panel.

Refrigerator Wall

27" High x 24" Deep
2 Butt Doors



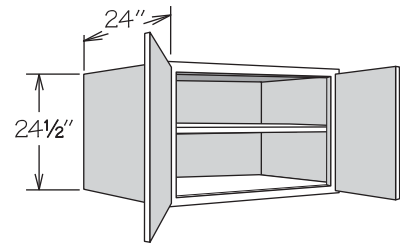
- W3027 X 24 DP BUTT
- W3027 X 24 DP BUTT SD

APC
CFO
FE
■ MI
PE
RD
■ VDO

- One full-depth adjustable shelf
- Each side of cabinet must be attached to a cabinet, wall or Refrigerator Return Panel

Refrigerator Wall

24" High x 24" Deep
2 Butt Doors



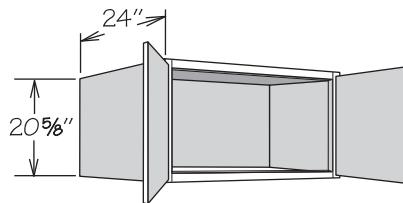
- W3024 X 24 DP BUTT
- W3324 X 24 DP BUTT
- W3624 X 24 DP BUTT
- W3024 X 24 DP BUTT SD
- W3324 X 24 DP BUTT SD
- W3624 X 24 DP BUTT SD

APC
CFO
FE
■ MI
PE
RD
■ VDO

- One full-depth adjustable shelf
- Each side of cabinet must be attached to a cabinet, wall or Refrigerator Return Panel

Refrigerator Wall

21" High x 24" Deep
2 Butt Doors



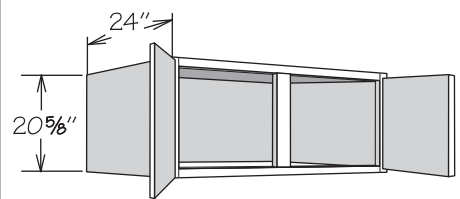
- W3021 X 24 DP BUTT
- W3321 X 24 DP BUTT
- W3621 X 24 DP BUTT
- W3021 X 24 DP BUTT SD
- W3321 X 24 DP BUTT SD
- W3621 X 24 DP BUTT SD

APC
CFO
FE
■ MI
PE
RD
■ VDO

- No shelf
- Not drilled for adjustable shelf
- Each side of cabinet must be attached to a cabinet, wall or Refrigerator Return Panel

Refrigerator Wall

21" High x 24" Deep
2 Doors



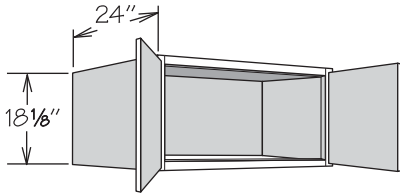
- W3921 X 24 DP
- W3921 X 24 DP SD

APC
CFO
FE
■ MI
PE
RD
■ VDO

- No shelf
- Not drilled for adjustable shelf
- Each side of cabinet must be attached to a cabinet, wall or Refrigerator Return Panel

Refrigerator Wall

18" High x 24" Deep
2 Butt Doors



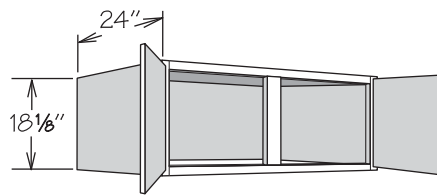
- W3018 X 24 DP BUTT
- W3318 X 24 DP BUTT
- W3618 X 24 DP BUTT
- W3018 X 24 DP BUTT SD
- W3318 X 24 DP BUTT SD
- W3618 X 24 DP BUTT SD

APC
CFO
FE
MI
PE
RD
VDO

- No shelf
- Not drilled for adjustable shelf
- Each side of cabinet must be attached to a cabinet, wall or Refrigerator Return Panel

Refrigerator Wall

18" High x 24" Deep
2 Doors



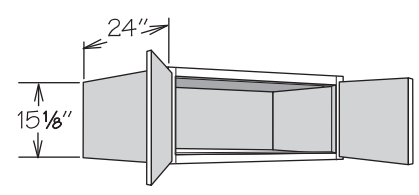
- W3918 X 24 DP
- W3918 X 24 DP SD

APC
CFO
FE
MI
PE
RD
VDO

- No shelf
- Not drilled for adjustable shelf
- Each side of cabinet must be attached to a cabinet, wall or Refrigerator Return Panel

Refrigerator Wall

15" High x 24" Deep
2 Butt Doors



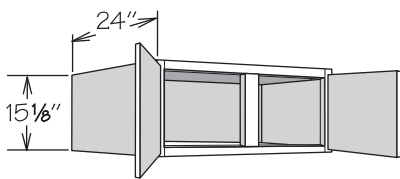
- W3015 X 24 DP BUTT
- W3315 X 24 DP BUTT
- W3615 X 24 DP BUTT
- W3015 X 24 DP BUTT SD
- W3315 X 24 DP BUTT SD
- W3615 X 24 DP BUTT SD

APC
CFO
FE
MI
PE
RD
VDO

- No shelf
- Not drilled for adjustable shelf
- Each side of cabinet must be attached to a cabinet, wall or Refrigerator Return Panel

Refrigerator Wall

15" High x 24" Deep
2 Doors



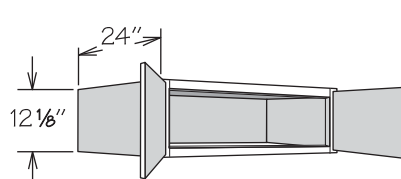
- W3915 X 24 DP
- W3915 X 24 DP SD

APC
CFO
FE
MI
PE
RD
VDO

- No shelf
- Not drilled for adjustable shelf
- Each side of cabinet must be attached to a cabinet, wall or Refrigerator Return Panel

Refrigerator Wall

12" High x 24" Deep
2 Butt Doors



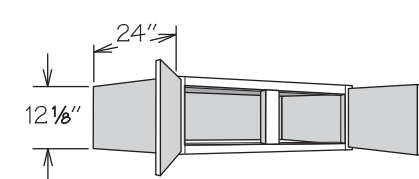
- W3012 X 24 DP BUTT
- W3312 X 24 DP BUTT
- W3612 X 24 DP BUTT
- W3012 X 24 DP BUTT SD
- W3312 X 24 DP BUTT SD
- W3612 X 24 DP BUTT SD

APC
CFO
FE
MI
PE
RD
VDO

- No shelf
- Not drilled for adjustable shelf
- Each side of cabinet must be attached to a cabinet, wall or Refrigerator Return Panel
- 12" High Specialty Door cabinets (SD) with the Prairie Frame Door Option (PFD) only available for Breckenridge, Breckenridge w/ DFO and Cottage door styles (excluding all Duraform door styles)

Refrigerator Wall

12" High x 24" Deep
2 Doors

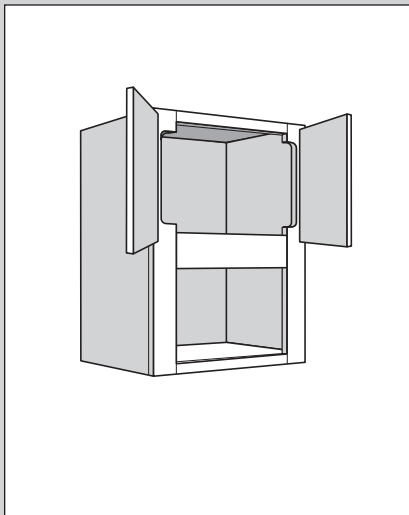


- W3912 X 24 DP
- W3912 X 24 DP SD

APC
CFO
FE
MI
PE
RD
VDO

- No shelf
- Not drilled for adjustable shelf
- Each side of cabinet must be attached to a cabinet, wall or Refrigerator Return Panel
- 12" High Specialty Door cabinets (SD) with the Prairie Frame Door Option (PFD) only available for Breckenridge, Breckenridge w/ DFO and Cottage door styles (excluding all Duraform door styles)

Microwave Cabinets

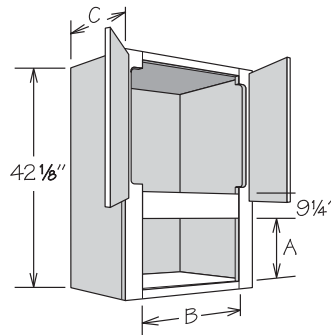


Microwave Wall cabinets range from 24" to 30" wide, 36" to 42" high and are 12", 18" or 21" deep.



When a Microwave Wall cabinet is used in a design, remember that each side of the cabinet must be attached to a cabinet or a wall. Review microwave manufacturer's specifications for dimensions and adequate clearances for venting requirements.

Microwave Wall
42" High, 2 Butt Doors

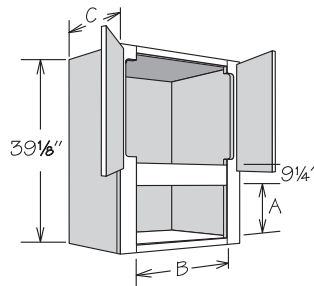


	A Actual	A Max. (FOL)	A Max. (SOL)	B Actual Opening	B Max. Opening	C Depth	Doors
WMC301842 BUTT	12 1/4"	19 1/2"	20"	23 3/4"	28"	18"	DR1521 BUTT
WMC302142 BUTT	12 1/4"	19 1/2"	20"	23 3/4"	28"	21"	DR1521 BUTT

WMC301842 BUTT WMC302142 BUTT	APC
	FE
	ID
	MI
	PE
	RD

- Each side of cabinet must be attached to a cabinet or a wall
- Designed to accommodate microwaves with trim kit
- A cutout exists in the door area where the 3/4" stiles are routed to 1 1/4"
- Not drilled for adjustable shelf
- Refer to appliance manufacturer's specifications for adequate clearances

Microwave Wall
39" High, 2 Butt Doors

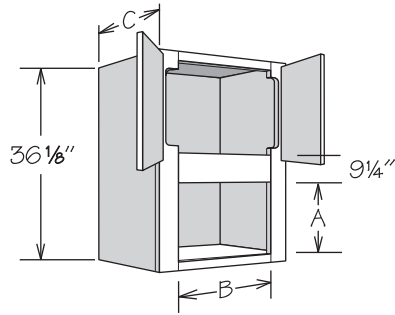


	A Actual	A Max. (FOL)	A Max. (SOL)	B Actual Opening	B Max. Opening	C Depth	Doors
WMC271839 BUTT	11 3/4"	19 1/2"	20"	20 3/4"	25"	18"	DR1318 BUTT
WMC272139 BUTT	11 3/4"	19 1/2"	20"	20 3/4"	25"	21"	DR1318 BUTT
WMC301839 BUTT	11 3/4"	19 1/2"	20"	23 3/4"	28"	18"	DR1518 BUTT
WMC302139 BUTT	11 3/4"	19 1/2"	20"	23 3/4"	28"	21"	DR1518 BUTT

WMC271839 BUTT WMC272139 BUTT WMC301839 BUTT WMC302139 BUTT	APC
	FE
	ID
	MI
	PE
	RD

- Each side of cabinet must be attached to a cabinet or a wall
- Designed to accommodate microwaves with trim kit
- A cutout exists in the door area where the 3/4" stiles are routed to 1 1/4"
- Not drilled for adjustable shelf
- Refer to appliance manufacturer's specifications for adequate clearances

Microwave Wall
36" High, 2 Butt Doors

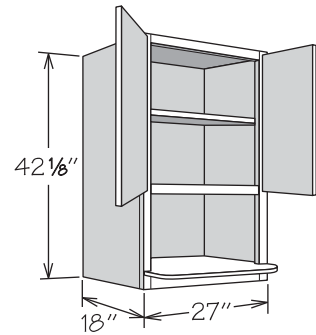


	A Actual	A Max. (FOL)	A Max. (SOL)	B Actual Opening	B Max. Opening	C Depth	Doors
WMC271836 BUTT	11 3/4"	19 1/2"	20"	20 3/4"	25"	18"	DR1315 BUTT
WMC272136 BUTT	11 3/4"	19 1/2"	20"	20 3/4"	25"	21"	DR1315 BUTT
WMC301836 BUTT	11 3/4"	19 1/2"	20"	23 3/4"	28"	18"	DR1515 BUTT
WMC302136 BUTT	11 3/4"	19 1/2"	20"	23 3/4"	28"	21"	DR1515 BUTT

WMC271836 BUTT	APC
WMC272136 BUTT	FE
WMC301836 BUTT	ID
WMC302136 BUTT	MI
	PE
	RD

- Each side of cabinet must be attached to a cabinet or a wall
- Designed to accommodate microwaves with trim kit
- A cutout exists in the door area where the 3/4" stiles are routed to 1/4"
- Not drilled for adjustable shelf
- Refer to appliance manufacturer's specifications for adequate clearances

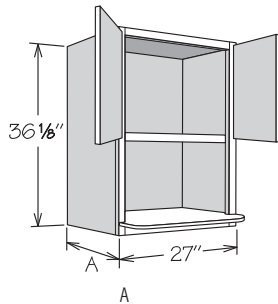
Wall Microwave
42" High, 2 Butt Doors



WMSC271842 BUTT	APC
	FE
	PE
	RD
	VDO

- Each side of cabinet must be attached to a cabinet or a wall
- Cabinet interior, microwave shelf opening and one adjustable shelf finished to match cabinet box exterior
- 3/4" plywood microwave shelf included for all construction types - not field trimmable
- Designed to accommodate countertop style microwave
- Lower frame opening (including shelf): 23 3/4" W x 15 1/4" H x 23 3/4" D
- Refer to appliance manufacturer's specifications for adequate clearances

Wall Microwave
36" High, 2 Butt Doors

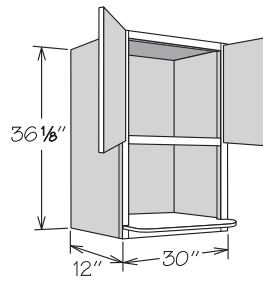


WMSC271236 BUTT	12"
WMSC271836 BUTT	18"

WMSC271236 BUTT	APC
WMSC271836 BUTT	FE
	PE
	RD
	VDO

- Each side of cabinet must be attached to a cabinet or a wall
- Cabinet interior and microwave shelf opening finished to match cabinet box exterior
- 3/4" plywood microwave shelf included for all construction types - not field trimmable
- Not drilled for adjustable shelf
- Designed to accommodate countertop style microwave
- Lower frame opening (including shelf):
WMSC271236 BUTT: 23 3/4" W x 18 5/8" H x 17 3/4" D
WMSC271836 BUTT: 23 3/4" W x 18 5/8" H x 23 3/4" D
- Refer to appliance manufacturer's specifications for adequate clearances

Wall Microwave
36" High, 2 Butt Doors

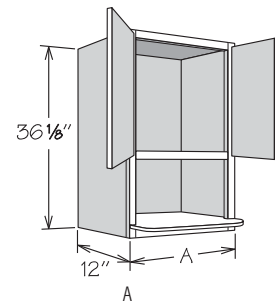


WMSC301236 BUTT

	APC
	FE
	PE
	RD
	VDO

- Each side of cabinet must be attached to a cabinet or a wall
- Cabinet interior and microwave shelf opening finished to match cabinet box exterior
- 3/4" plywood microwave shelf included for all construction types - not field trimmable
- Not drilled for adjustable shelf
- Designed to accommodate countertop style microwave
- Lower frame opening (including shelf):
26 3/4" W x 18 5/8" H x 17 3/4" D
- Refer to appliance manufacturer's specifications for adequate clearances

Wall Compact Microwave
36" High, 2 Butt Doors

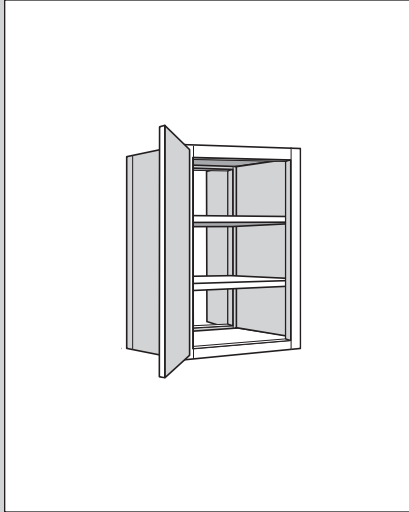


WCMSC241236 BUTT	24"
WCMSC271236 BUTT	27"

WCMSC241236 BUTT	APC
WCMSC271236 BUTT	FE
	PE
	RD
	VDO

- Each side of cabinet must be attached to a cabinet or a wall
- Cabinet interior and microwave shelf opening finished to match cabinet box exterior
- 3/4" plywood microwave shelf included for all construction types - not field trimmable
- Not drilled for adjustable shelf
- Designed to accommodate countertop style microwave
- Lower frame opening (including shelf):
WCMSC241236 BUTT: 20 3/4" W x 15 5/8" H x 17 3/4" D
WCMSC271236 BUTT: 23 3/4" W x 15 5/8" H x 17 3/4" D
- Refer to appliance manufacturer's specifications for adequate clearances

Peninsula Wall Cabinets



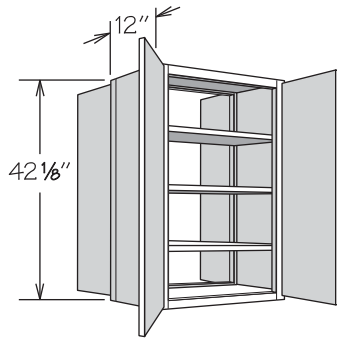
Peninsula Wall cabinets range in size from 12" to 42" wide, 18" to 42" high and are 12" deep with doors on both sides of the cabinet.

For Increased Depth cabinets, please refer to the installation notes listed in the Increased Depth Construction Option section.



When designing with Peninsula Wall cabinets, remember to include material such as Finished Shelving to cover the bottom of the cabinets.

Peninsula Wall
42" High, 4 Butt Doors

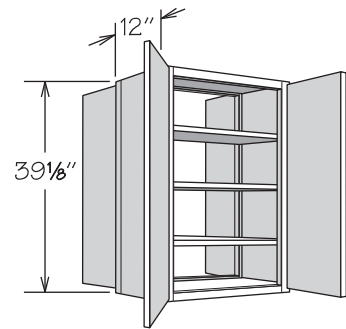


- PW2442 BUTT
- PW3042 BUTT
- PW3642 BUTT
- PW2442 BUTT SD
- PW3042 BUTT SD
- PW3642 BUTT SD

- APC
- FE
- ID
- MI
- PE
- RD
- VDO

- Three adjustable shelves

Peninsula Wall
39" High, 4 Butt Doors

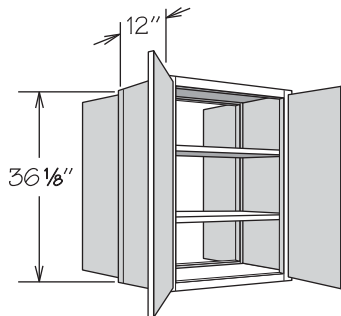


- PW2439 BUTT
- PW3039 BUTT
- PW3639 BUTT
- PW2439 BUTT SD
- PW3039 BUTT SD
- PW3639 BUTT SD

- APC
- FE
- ID
- MI
- PE
- RD
- VDO

- Three adjustable shelves

Peninsula Wall
36" High, 4 Butt Doors

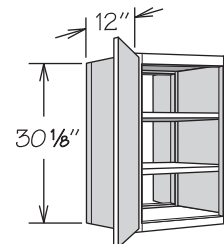


- PW2436 BUTT
- PW3036 BUTT
- PW3636 BUTT
- PW2436 BUTT SD
- PW3036 BUTT SD
- PW3636 BUTT SD

- APC
- FE
- ID
- MI
- PE
- RD
- VDO

- Two adjustable shelves

Peninsula Wall
30" High, 2 Doors

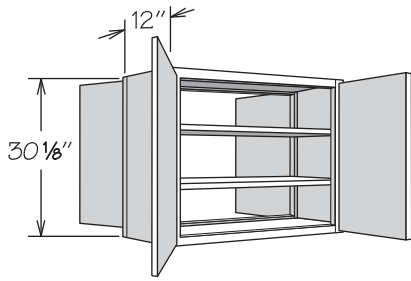


- PW1230
- PW1530
- PW1830
- PW2430
- PW1230 SD
- PW1530 SD
- PW1830 SD

- APC
- FE
- ID
- MI
- PE
- RD
- VDO

- Two adjustable shelves
- Hinged as shown

Peninsula Wall
30" High, 4 Butt Doors

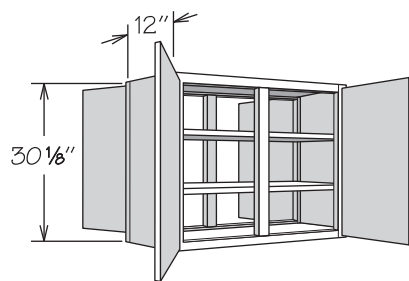


- PW2430 BUTT
- PW3030 BUTT
- PW3630 BUTT
- PW2430 BUTT SD
- PW3030 BUTT SD
- PW3630 BUTT SD

- | |
|-------|
| APC |
| FE |
| ID |
| ■ MI |
| PE |
| RD |
| ■ VDO |

- Two adjustable shelves

Peninsula Wall
30" High, 4 Doors

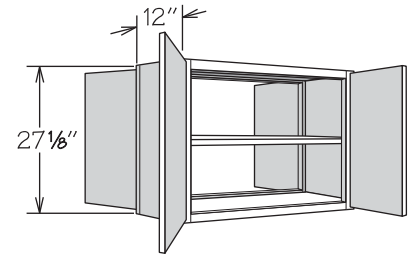


- PW4230
- PW4230 SD

- | |
|-------|
| APC |
| FE |
| ■ MI |
| PE |
| RD |
| ■ VDO |

- Two adjustable shelves

Peninsula Wall
27" High, 4 Butt Doors

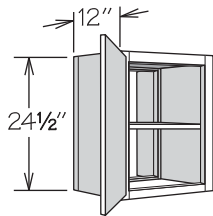


- PW3027 BUTT
- PW3027 BUTT SD

- | |
|-------|
| APC |
| FE |
| ID |
| ■ MI |
| PE |
| RD |
| ■ VDO |

- One adjustable shelf

Peninsula Wall
24" High, 2 Doors

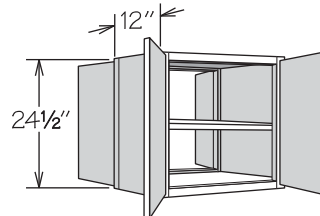


- PW1224
- PW1824
- PW1224 SD
- PW1824 SD

- | |
|-------|
| APC |
| FE |
| ID |
| ■ MI |
| PE |
| RD |
| ■ VDO |

- One adjustable shelf
- Hinged as shown

Peninsula Wall
24" High, 4 Butt Doors

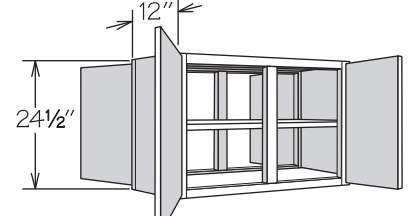


- PW2424 BUTT
- PW3024 BUTT
- PW3624 BUTT
- PW2424 BUTT SD
- PW3024 BUTT SD
- PW3624 BUTT SD

- | |
|-------|
| APC |
| FE |
| ID |
| ■ MI |
| PE |
| RD |
| ■ VDO |

- One adjustable shelf

Peninsula Wall
24" High, 4 Doors

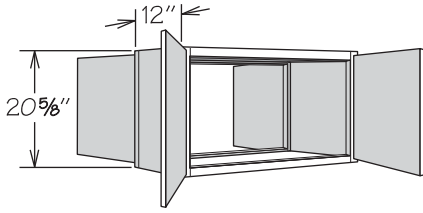


- PW4224
- PW4224 SD

- | |
|-------|
| APC |
| FE |
| ■ MI |
| PE |
| RD |
| ■ VDO |

- One adjustable shelf

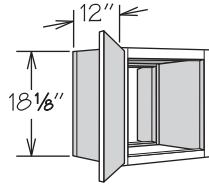
Peninsula Wall
21" High, 4 Butt Doors



■ PW3021 BUTT	APC
■ PW3621 BUTT	FE
	ID
■ PW3021 BUTT SD	■ MI
■ PW3621 BUTT SD	PE
	RD
	■ VDO

- No shelf
- Not drilled for adjustable shelf

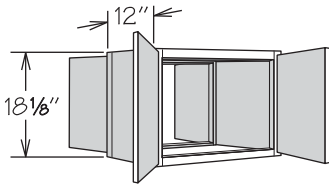
Peninsula Wall
18" High, 2 Doors



■ PW1818	APC
■ PW1818 SD	FE
	ID
	■ MI
	PE
	RD
	■ VDO

- No shelf
- Not drilled for adjustable shelf
- Hinged as shown

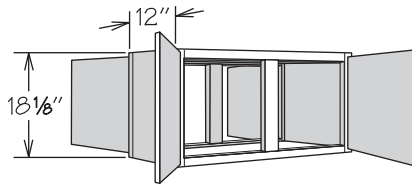
Peninsula Wall
18" High, 4 Butt Doors



■ PW2418 BUTT	APC
■ PW3018 BUTT	FE
■ PW3618 BUTT	ID
	■ MI
	PE
	RD
	■ VDO
PW2418 BUTT SD	
PW3018 BUTT SD	
PW3618 BUTT SD	

- No shelf
- Not drilled for adjustable shelf

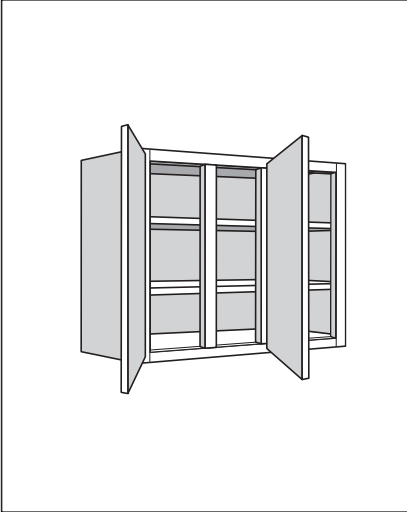
Peninsula Wall
18" High, 4 Doors



■ PW4218	APC
■ PW4218 SD	FE
	■ MI
	PE
	RD
	■ VDO

- No shelf
- Not drilled for adjustable shelf

Blind Wall Cabinets



Blind Wall cabinets range in width from 24" to 48" and in height from 24" to 42".

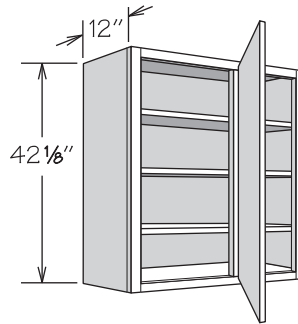
Single Door Blind Wall cabinets must be ordered hinged left or right.

For Increased Depth cabinets, please refer to the installation notes listed in the Increased Depth Construction Option section.



When a Blind Wall cabinet is used in a design, remember to include the appropriate filler. For a finished, decorative look add an Overlay Filler (Full Overlay door styles) to Universal Fillers or Decorative Blocks to a Fluted Beaded Filler.

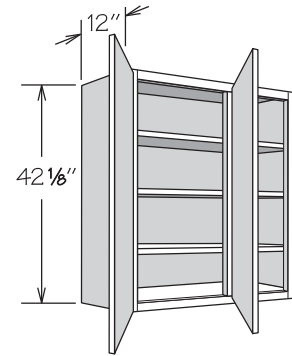
**Blind Wall
42" High, 1 Door**



■ BLW24/2742	APC
■ BLW30/3342	CFO
■ BLW33/3642	FE
	ID
BLW24/2742 SD	■ MI
BLW30/3342 SD	PE
BLW33/3642 SD	RD
	■ VDO

- Three adjustable shelves
- Cabinet shown as right indicating blind opening is on the right side of the cabinet (can be revised in the field)
- Includes 1/8" panel to cover blind opening (field trim and install)
- Refer to Blind Wall Cabinet Installation Chart for specifications
- Must order Universal Filler separately

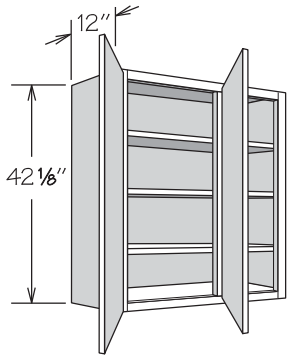
**Blind Wall
42" High, 2 Butt Doors**



■ BLW36/3942 BUTT	APC
BLW36/3942 BUTT SD	CFO
	FE
	ID
	■ MI
	PE
	RD
	■ VDO

- Three adjustable shelves
- Cabinet shown as right indicating blind opening is on the right side of the cabinet (can be reversed in the field)
- Includes 1/8" panel to cover blind opening (field trim and install)
- Refer to Blind Wall Cabinet Installation Chart for specifications
- Must order Universal Filler separately

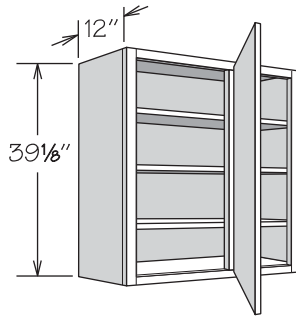
Blind Wall
42" High, 2 Butt Doors



■ BLW39/4242 BUTT	APC
■ BLW42/4542 BUTT	CFO
	FE
■ MI	MI
BLW39/4242 BUTT SD	PE
BLW42/4542 BUTT SD	RD
	■ VDO

- Three adjustable shelves
- Cabinet shown as right indicating blind opening is on the right side of the cabinet (can be reversed in the field)
- Includes 1/8" panel to cover blind opening (field trim and install)
- Refer to Blind Wall Cabinet Installation Chart for specifications
- Must order Universal Filler separately

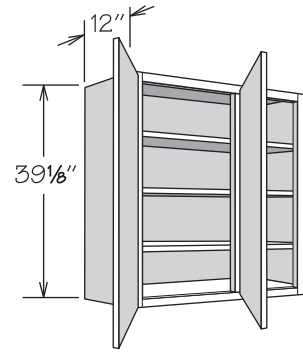
Blind Wall
39" High, 1 Door



■ BLW24/2739	APC
■ BLW30/3339	CFO
■ BLW33/3639	FE
	ID
	■ MI
BLW24/2739 SD	PE
BLW30/3339 SD	RD
BLW33/3639 SD	■ VDO

- Three adjustable shelves
- Cabinet shown as right indicating blind opening is on the right side of the cabinet (can be revised in the field)
- Includes 1/8" panel to cover blind opening (field trim and install)
- Refer to Blind Wall Cabinet Installation Chart for specifications
- Must order Universal Filler separately

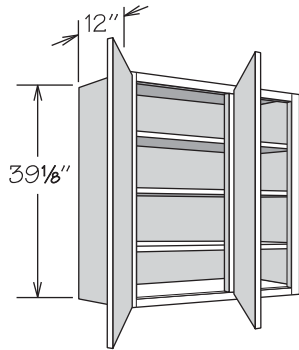
Blind Wall
39" High, 2 Butt Doors



■ BLW36/3939 BUTT	APC
BLW36/3939 BUTT SD	CFO
	FE
	ID
	■ MI
	PE
	RD
	■ VDO

- Three adjustable shelves
- Cabinet shown as right indicating blind opening is on the right side of the cabinet (can be reversed in the field)
- Includes 1/8" panel to cover blind opening (field trim and install)
- Refer to Blind Wall Cabinet Installation Chart for specifications
- Must order Universal Filler separately

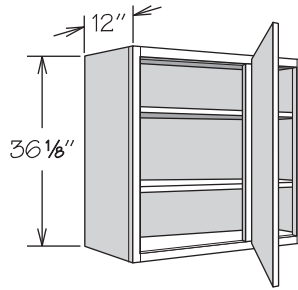
Blind Wall
39" High, 2 Butt Doors



■ BLW39/4239 BUTT	APC
■ BLW42/4539 BUTT	CFO
	FE
BLW39/4239 BUTT SD	■ MI
BLW42/4539 BUTT SD	PE
	RD
	■ VDO

- Three adjustable shelves
- Cabinet shown as right indicating blind opening is on the right side of the cabinet (can be reversed in the field)
- Includes 1/8" panel to cover blind opening (field trim and install)
- Refer to Blind Wall Cabinet Installation Chart for specifications
- Must order Universal Filler separately

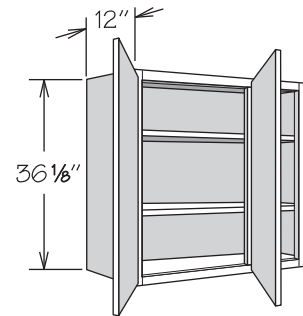
Blind Wall
36" High, 1 Door



■ BLW24/2736	APC
■ BLW30/3336	CFO
	FE
■ BLW33/3636	ID
	■ MI
BLW24/2736 SD	PE
BLW30/3336 SD	RD
BLW33/3636 SD	■ VDO

- Two adjustable shelves
- Cabinet shown as right indicating blind opening is on the right side of the cabinet (can be revised in the field)
- Includes 1/8" panel to cover blind opening (field trim and install)
- Refer to Blind Wall cabinet Installation Chart for specifications
- Must order Universal Filler separately

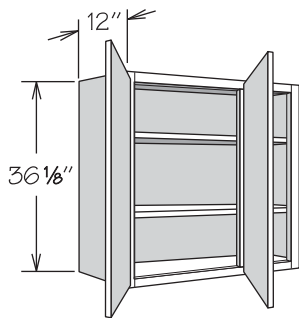
Blind Wall
36" High, 2 Butt Doors



■ BLW36/3936 BUTT	APC
BLW36/3936 BUTT SD	CFO
	FE
	ID
	■ MI
	PE
	RD
	■ VDO

- Two adjustable shelves
- Cabinet shown as right indicating blind opening is on the right side of the cabinet (can be reversed in the field)
- Includes 1/8" panel to cover blind opening (field trim and install)
- Refer to Blind Wall cabinet Installation Chart for specifications
- Must order Universal Filler separately

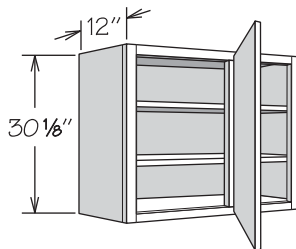
Blind Wall
36" High, 2 Butt Doors



■ BLW39/4236 BUTT	APC
■ BLW42/4536 BUTT	CFO
	FE
	MI
BLW39/4236 BUTT SD	PE
BLW42/4536 BUTT SD	RD
	VDO

- Two adjustable shelves
- Cabinet shown as right indicating blind opening is on the right side of the cabinet (can be reversed in the field)
- Includes 3/8" panel to cover blind opening (field trim and install)
- Refer to Blind Wall cabinet Installation Chart for specifications
- Must order Universal Filler separately

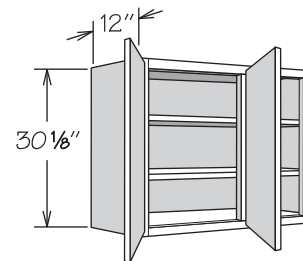
Blind Wall
30" High, 1 Door



■ BLW24/2730	APC
■ BLW27/3030	CFO
	FE
	ID
■ BLW30/3330	MI
■ BLW33/3630	PE
■ BLW36/3930	RD
	VDO
BLW24/2730 SD	
BLW27/3030 SD	
BLW30/3330 SD	
BLW33/3630 SD	

- Two adjustable shelves
- Cabinet shown as right indicating blind opening is on the right side of the cabinet (can be revised in the field)
- Includes 3/8" panel to cover blind opening (field trim and install)
- Refer to Blind Wall cabinet Installation Chart for specifications
- Must order Universal Filler separately

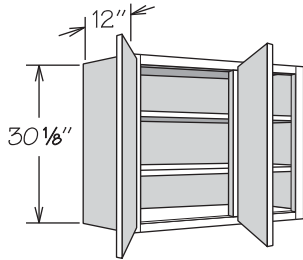
Blind Wall
30" High, 2 Butt Doors



■ BLW36/3930 BUTT	APC
BLW36/3930 BUTT SD	CFO
	FE
	ID
	MI
	PE
	RD
	VDO

- Two adjustable shelves
- Cabinet shown as right indicating blind opening is on the right side of the cabinet (can be reversed in the field)
- Includes 3/8" panel to cover blind opening (field trim and install)
- Refer to Blind Wall cabinet Installation Chart for specifications
- Must order Universal Filler separately

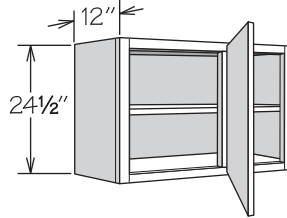
Blind Wall
30" High, 2 Butt Doors



- | | |
|-------------------|-----|
| ■ BLW39/4230 BUTT | APC |
| ■ BLW42/4530 BUTT | CFO |
| ■ BLW45/4830 BUTT | FE |
| ■ BLW48/5130 BUTT | MI |
| | PE |
| | RD |
| | VDO |
- BLW39/4230 BUTT SD
BLW42/4530 BUTT SD
BLW45/4830 BUTT SD
BLW48/5130 BUTT SD

- Two adjustable shelves
- Cabinet shown as right indicating blind opening is on the right side of the cabinet (can be reversed in the field)
- Includes 1/8" panel to cover blind opening (field trim and install)
- Refer to Blind Wall cabinet Installation Chart for specifications
- Must order Universal Filler separately

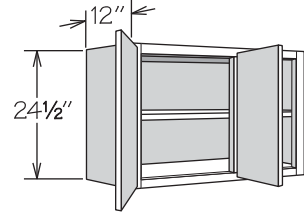
Blind Wall
24" High, 1 Door



- | | |
|--------------|-----|
| ■ BLW24/2724 | APC |
| ■ BLW27/3024 | CFO |
| ■ BLW30/3324 | FE |
| ■ BLW33/3624 | ID |
| | MI |
| | PE |
| | RD |
| | VDO |
- BLW24/2724 SD
BLW27/3024 SD
BLW30/3324 SD
BLW33/3624 SD

- One adjustable shelf
- Cabinet shown as right indicating blind opening is on the right side of the cabinet (can be revised in the field)
- Includes 1/8" panel to cover blind opening (field trim and install)
- Refer to Blind Wall cabinet Installation Chart for specifications
- Must order Universal Filler separately

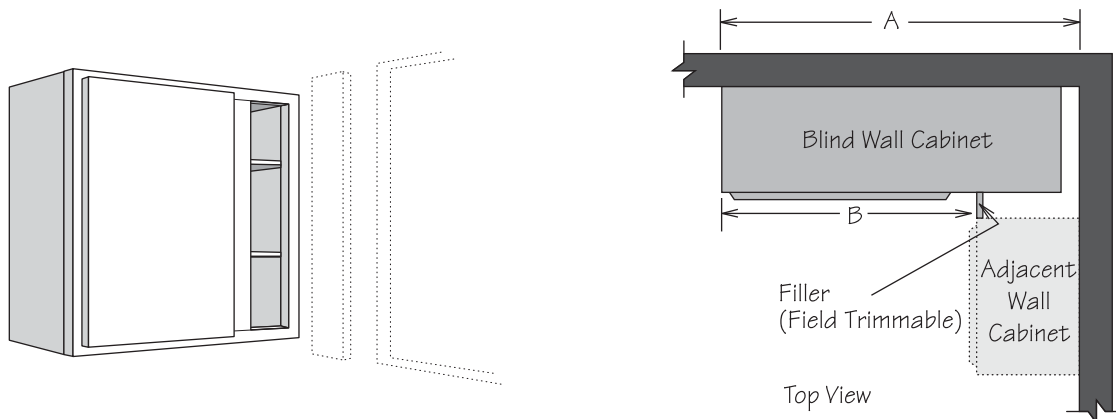
Blind Wall
24" High, 2 Butt Doors



- | | |
|--------------------|-----|
| ■ BLW36/3924 BUTT | APC |
| BLW36/3924 BUTT SD | CFO |
| | FE |
| | ID |
| | MI |
| | PE |
| | RD |
| | VDO |

- One adjustable shelf
- Cabinet shown as right indicating blind opening is on the right side of the cabinet (can be reversed in the field)
- Includes 1/8" panel to cover blind opening (field trim and install)
- Refer to Blind Wall cabinet Installation Chart for specifications
- Must order Universal Filler separately

Blind Wall Cabinet Installation Chart



Full Overlay (FOL) Door Styles

Full Overlay door styles require decorative hardware, which has been calculated into dimensions.
 *Dimension requirements do not include optional Overlay Fillers – add 1/8" if Overlay Fillers will be used.

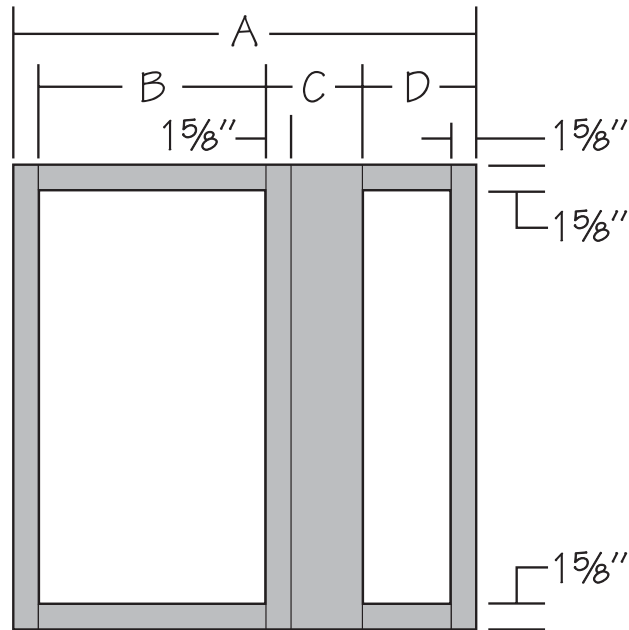
Cabinet	Actual Cabinet Width	Door Opening	Door(s)	Wall Space A			Exposed Frame B	
				Minimum Space*	Maximum Pull	Maximum Space	Minimum Space*	Maximum Space
BLW24/27 (SD)	24"	8 3/4"	DR12__	26 1/4"	1 1/4"	28"	14 1/4"	16"
BLW27/30 (SD)	27"	11 1/4"	DR15__	29 1/4"	1 1/4"	31"	17 1/4"	19"
BLW30/33 (SD)	30"	14 3/4"	DR18__	32 1/4"	1 1/4"	34"	20 1/4"	22"
BLW33/36 (SD)	33"	17 3/4"	DR21__	35 1/4"	1 1/4"	37"	23 1/4"	25"
BLW36/3930	36"	20 3/4"	DR2430	38 1/4"	1 1/4"	40"	26 1/4"	28"
BLW36/39 BUTT (SD)	36"	20 3/4"	DR12__BUTT (2)	38 1/4"	1 1/4"	40"	26 1/4"	28"
BLW39/42 BUTT (SD)	39"	23 3/4"	DR13__BUTT (2)	41 1/4"	1 1/4"	43"	29 1/4"	31"
BLW42/45 BUTT (SD)	42"	26 3/4"	DR15__BUTT (2)	44 1/4"	1 1/4"	46"	32 1/4"	34"
BLW45/48 BUTT (SD)	45"	29 3/4"	DR16__BUTT (2)	47 1/4"	1 1/4"	49"	35 1/4"	37"
BLW48/51 BUTT (SD)	48"	32 3/4"	DR18__BUTT (2)	50 1/4"	1 1/4"	52"	38 1/4"	40"

Standard Overlay (SOL) Door Styles

Wall Space A requirements include optional decorative hardware clearance.
 *1/4" may be deducted if decorative hardware is not used.

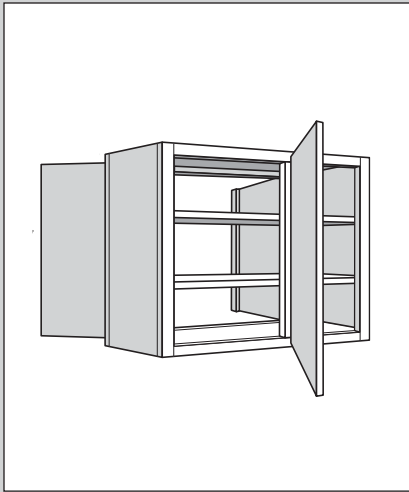
Cabinet	Actual Cabinet Width	Door Opening	Door(s)	Wall Space A			Exposed Frame B	
				Minimum Space*	Maximum Pull*	Maximum Space*	Minimum Space	Maximum Space
BLW24/27 (SD)	24"	8 3/4"	DR12__	25 3/8"	2 5/8"	28"	13 3/8"	16"
BLW27/30 (SD)	27"	11 1/4"	DR15__	28 3/8"	2 5/8"	31"	16 3/8"	19"
BLW30/33 (SD)	30"	14 3/4"	DR18__	31 3/8"	2 5/8"	34"	19 3/8"	22"
BLW33/36 (SD)	33"	17 3/4"	DR21__	34 3/8"	2 5/8"	37"	22 3/8"	25"
BLW36/3930	36"	20 3/4"	DR2430	37 3/8"	2 5/8"	40"	25 3/8"	28"
BLW36/39 BUTT (SD)	36"	20 3/4"	DR12__BUTT (2)	37 3/8"	2 5/8"	40"	25 3/8"	28"
BLW39/42 BUTT (SD)	39"	23 3/4"	DR13__BUTT (2)	40 3/8"	2 5/8"	43"	28 3/8"	31"
BLW42/45 BUTT (SD)	42"	26 3/4"	DR15__BUTT (2)	43 3/8"	2 5/8"	46"	31 3/8"	34"
BLW45/48 BUTT (SD)	45"	29 3/4"	DR16__BUTT (2)	46 3/8"	2 5/8"	49"	34 3/8"	37"
BLW48/51 BUTT (SD)	48"	32 3/4"	DR18__BUTT (2)	49 3/8"	2 5/8"	52"	37 3/8"	40"

Blind Wall Cabinet Dimensions



Cabinet	Cabinet	Door		
	Width	Opening	B	D
	A	B	C	D
BLW24/27 (SD)	24"	8 3/4"	6 1/4"	7 3/8"
BLW27/30 (SD)	27"	11 1/4"	6 1/4"	7 3/8"
BLW30/33 (SD)	30"	14 3/4"	6 1/4"	7 3/8"
BLW33/36 (SD)	33"	17 3/4"	6 1/4"	7 3/8"
BLW36/3930	36"	20 3/4"	6 1/4"	7 3/8"
BLW36/39 BUTT (SD)	36"	20 3/4"	6 1/4"	7 3/8"
BLW39/42 BUTT (SD)	39"	23 3/4"	6 1/4"	7 3/8"
BLW42/45 BUTT (SD)	42"	26 3/4"	6 1/4"	7 3/8"
BLW45/48 BUTT (SD)	45"	29 3/4"	6 1/4"	7 3/8"
BLW48/51 BUTT (SD)	48"	32 3/4"	6 1/4"	7 3/8"

Blind Peninsula Wall Cabinets

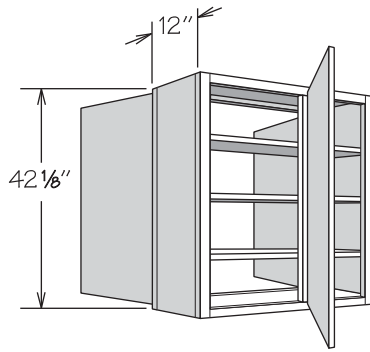


For Increased Depth cabinets, please refer to the installation notes listed in the Increased Depth Construction Option section.

Blind Peninsula Wall cabinets are 24" wide and range in height from 24" to 42".

Blind Peninsula Wall

42" High, 3 Doors



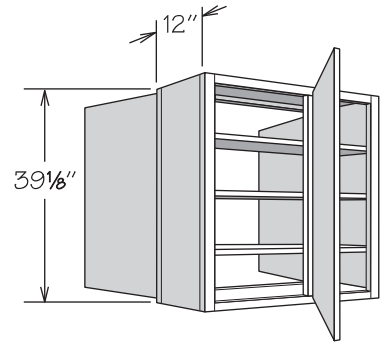
■ BLPW2442 BUTT
BLPW2442 BUTT SD

APC
FE
ID
■ MI
PE
RD
■ VDO

- Three adjustable shelves
- Cabinet shown as right indicating blind opening is on the right side of the cabinet (can be revised in the field)
- Includes 1/8" panel to cover blind opening (field trim and install)
- Refer to Blind Peninsula Wall Cabinet Installation Chart for specifications
- Must order Universal Fillers separately

Blind Peninsula Wall

39" High, 3 Doors



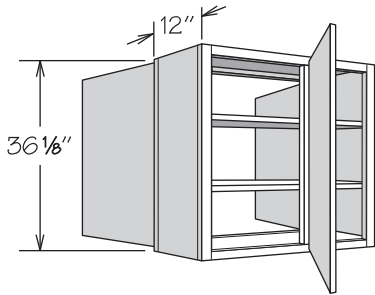
■ BLPW2439 BUTT
BLPW2439 BUTT SD

APC
FE
ID
■ MI
PE
RD
■ VDO

- Three adjustable shelves
- Cabinet shown as right indicating blind opening is on the right side of the cabinet (can be revised in the field)
- Includes 1/8" panel to cover blind opening (field trim and install)
- Refer to Blind Peninsula Wall cabinet Installation Chart for specifications
- Must order Universal Fillers separately

Blind Peninsula Wall

36" High, 3 Doors



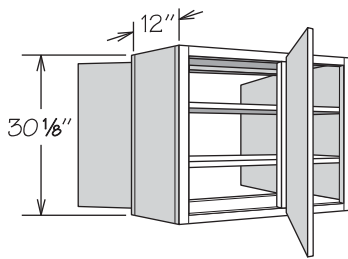
■ BLPW2436 BUTT
BLPW2436 BUTT SD

APC
FE
ID
■ MI
PE
RD
■ VDO

- Two adjustable shelves
- Cabinet shown as right indicating blind opening is on the right side of the cabinet (can be revised in the field)
- Includes 1/8" panel to cover blind opening (field trim and install)
- Refer to Blind Peninsula Wall cabinet Installation Chart for specifications
- Must order Universal Fillers separately

Blind Peninsula Wall

30" High, 3 Doors



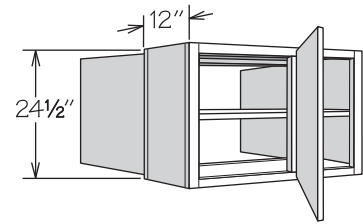
■ BLPW2430 BUTT
BLPW2430 BUTT SD

APC
FE
ID
■ MI
PE
RD
■ VDO

- Two adjustable shelves
- Cabinet shown as right indicating blind opening is on the right side of the cabinet (can be revised in the field)
- Includes 1/8" panel to cover blind opening (field trim and install)
- Refer to Blind Peninsula Wall cabinet Installation Chart for specifications
- Must order Universal Fillers separately

Blind Peninsula Wall

24" High, 3 Doors

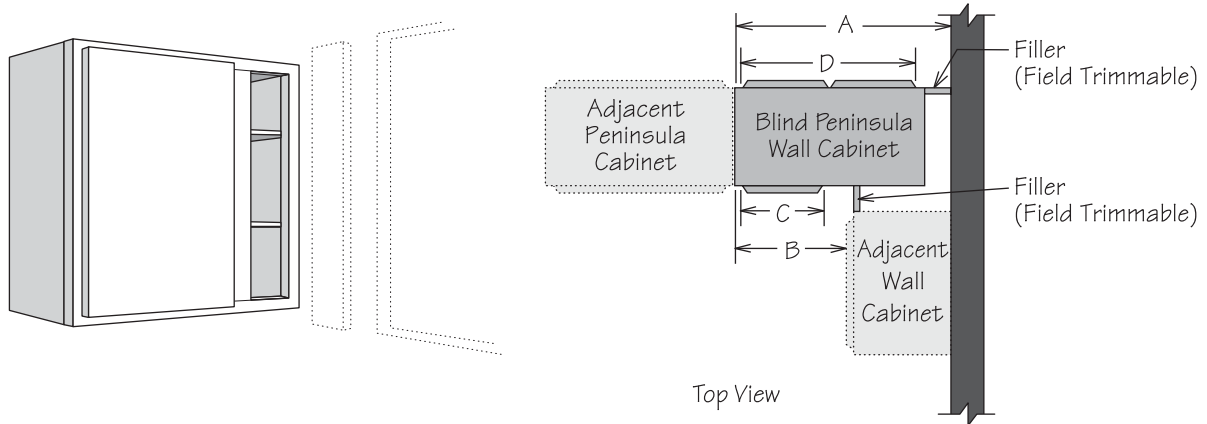


■ BLPW2424 BUTT
BLPW2424 BUTT SD

APC
FE
ID
■ MI
PE
RD
■ VDO

- One adjustable shelf
- Cabinet shown as right indicating blind opening is on the right side of the cabinet (can be revised in the field)
- Includes 1/8" panel to cover blind opening (field trim and install)
- Refer to Blind Peninsula Wall cabinet Installation Chart for specifications
- Must order Universal Fillers separately

Blind Peninsula Wall Cabinet Installation Chart



WALL CABINETS

Full Overlay (FOL) Door Styles

Full Overlay door styles require decorative hardware, which has been calculated into dimensions.
 *Must use these dimensions if optional Overlay Fillers will be used.

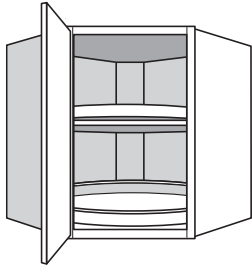
Cabinet	Actual Cabinet Width	Door Opening C	Door C	Door Opening D	Doors (2) D	Wall Space A			Exposed Frame B		Filler (at wall)	
						Minimum Space	Maximum Pull	Maximum Space*	Minimum Space	Maximum Space*	Minimum	Maximum*
BLPW2424 BUTT (SD)	24"	8 3/4"	DR1224	20 3/4"	DR1224 BUTT	26 1/4"	3/4"	27"	14 1/4"	15"	2 1/4"	3"
BLPW2430 BUTT (SD)	24"	8 3/4"	DR1230	20 3/4"	DR1230 BUTT	26 1/4"	3/4"	27"	14 1/4"	15"	2 1/4"	3"
BLPW2436 BUTT (SD)	24"	8 3/4"	DR1236	20 3/4"	DR1236 BUTT	26 1/4"	3/4"	27"	14 1/4"	15"	2 1/4"	3"
BLPW2439 BUTT (SD)	24"	8 3/4"	DR1239	20 3/4"	DR1239 BUTT	26 1/4"	3/4"	27"	14 1/4"	15"	2 1/4"	3"
BLPW2442 BUTT (SD)	24"	8 3/4"	DR1242	20 3/4"	DR1242 BUTT	26 1/4"	3/4"	27"	14 1/4"	15"	2 1/4"	3"

Standard Overlay (SOL) Door Styles

Wall Space A requirements include optional decorative hardware clearance.
 *1/4" may be deducted if decorative hardware is not used.

Cabinet	Actual Cabinet Width	Door Opening C	Door C	Door Opening D	Doors (2) D	Wall Space A			Exposed Frame B		Filler (at wall)	
						Minimum Space*	Maximum Pull*	Maximum Space*	Minimum Space	Maximum Space	Minimum	Maximum
BLPW2424 BUTT (SD)	24"	8 3/4"	DR1224	20 3/4"	DR1224 BUTT	25 3/8"	1 1/8"	27"	13 3/8"	15"	1 3/8"	3"
BLPW2430 BUTT (SD)	24"	8 3/4"	DR1230	20 3/4"	DR1230 BUTT	25 3/8"	1 1/8"	27"	13 3/8"	15"	1 3/8"	3"
BLPW2436 BUTT (SD)	24"	8 3/4"	DR1236	20 3/4"	DR1236 BUTT	25 3/8"	1 1/8"	27"	13 3/8"	15"	1 3/8"	3"
BLPW2439 BUTT (SD)	24"	8 3/4"	DR1239	20 3/4"	DR1239 BUTT	25 3/8"	1 1/8"	27"	13 3/8"	15"	1 3/8"	3"
BLPW2442 BUTT (SD)	24"	8 3/4"	DR1242	20 3/4"	DR1242 BUTT	25 3/8"	1 1/8"	27"	13 3/8"	15"	1 3/8"	3"

Corner Wall Cabinets



Corner Wall cabinets range in height from 18" to 48".

Corner Wall cabinets must be ordered hinged left or right.

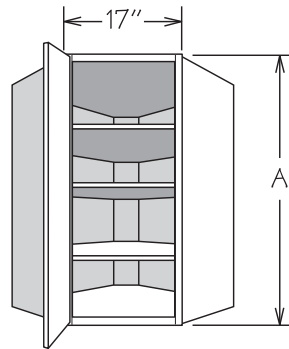
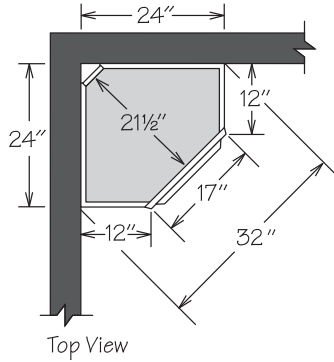


To ensure proper door function, cabinets or other design elements deeper than 12" should not be placed on either side of the Corner Wall cabinet.

If the Corner Wall cabinet is deeper than the adjacent cabinets, fillers are recommended for placement left and right of the Corner Wall to ensure proper door operation on standard depth wall cabinets.

For a finished, decorative look add Overlay Fillers (Full Overlay door styles) to Universal Fillers or Decorative Blocks to Fluted Beaded Fillers.

Corner Wall
24" Deep

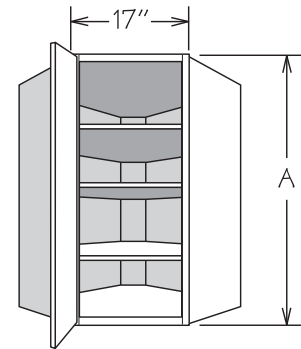
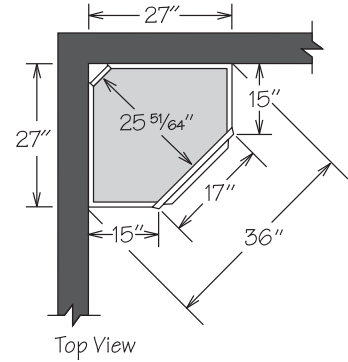


	A	Adj. Shelves
CW2418	18 1/8"	0
CW2424	24 1/2"	1
CW2430	30 3/8"	2
CW2436	36 1/4"	2
CW2439	39 1/8"	3
CW2442	42 1/2"	3

<ul style="list-style-type: none"> ■ CW2418 ■ CW2424 ■ CW2430 ■ CW2436 ■ CW2439 ■ CW2442 	APC
	FE
	■ MI
	PE
	■ VDO
<ul style="list-style-type: none"> CW2418 SD CW2424 SD CW2430 SD CW2436 SD CW2439 SD CW2442 SD 	

- Door opening is 11 3/4" wide
- Features a DR15___ door
- CW2418 (SD) are not available in legacy Hickory
- Shelf in CW2424 (SD) is adjustable, but non-removable

Corner Wall
27" Deep

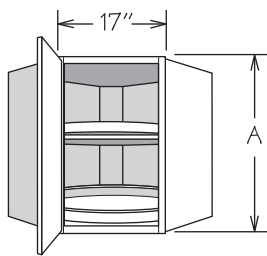
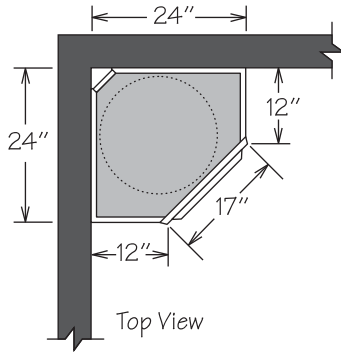


	A	Adj. Shelves
CW2718	18 1/8"	0
CW2724	24 1/2"	1
CW2730	30 3/8"	2
CW2736	36 1/4"	2
CW2739	39 1/8"	3
CW2742	42 1/2"	3

<ul style="list-style-type: none"> ■ CW2718 ■ CW2724 ■ CW2730 ■ CW2736 ■ CW2739 ■ CW2742 	APC
	FE
	■ MI
	PE
	■ VDO
<ul style="list-style-type: none"> CW2718 SD CW2724 SD CW2730 SD CW2736 SD CW2739 SD CW2742 SD 	

- Door opening is 11 3/4" wide
- Features a DR15___ door
- CW2718 (SD) are not available in legacy Hickory
- Shelf in CW2724 (SD) is adjustable, but non-removable - Glass Shelf Kit not available

**Corner Wall
With Wood Spin Units**

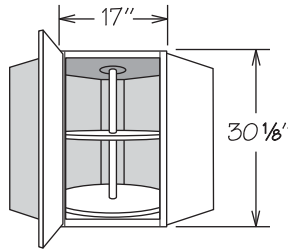
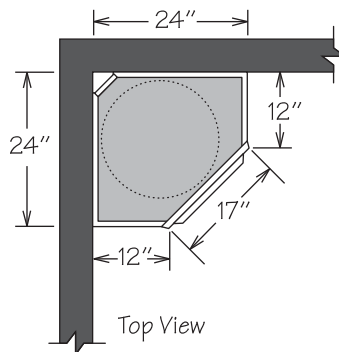


	A	Wood Spin Units
CWS2430 WD	30 1/8"	2
CWS2436 WD	36 1/8"	2
CWS2439 WD	39 1/8"	3
CWS2442 WD	42 1/8"	3

<ul style="list-style-type: none"> ■ CWS2430 WD ■ CWS2436 WD ■ CWS2439 WD ■ CWS2442 WD <p>CWS2430 WD SD CWS2436 WD SD CWS2439 WD SD CWS2442 WD SD</p>	<table border="1"> <tr><td>APC</td></tr> <tr><td>FE</td></tr> <tr><td>MI</td></tr> <tr><td>PE</td></tr> <tr><td>VDO</td></tr> </table>	APC	FE	MI	PE	VDO
APC						
FE						
MI						
PE						
VDO						

- Door opening is 11 3/4" wide
- Natural finish wood spin units feature 1" lip and are 18" in diameter
- One wood spin unit is mounted on cabinet floor and is not adjustable
- Remaining wood spin unit(s) attached to 3/4" adjustable shelf
- Features a DR15__ door

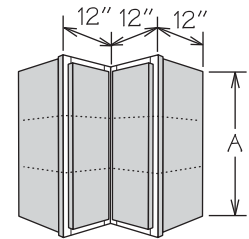
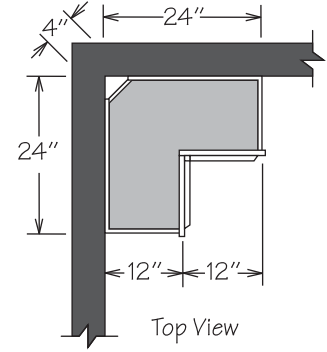
**Corner Wall
With Plastic Spin Shelves**



<ul style="list-style-type: none"> ■ CWS2430 CWS2430 SD 	<table border="1"> <tr><td>APC</td></tr> <tr><td>FE</td></tr> <tr><td>MI</td></tr> <tr><td>PE</td></tr> <tr><td>VDO</td></tr> </table>	APC	FE	MI	PE	VDO
APC						
FE						
MI						
PE						
VDO						

- Features two 18" diameter full round spin shelves with pole (top shelf adjustable)
- Shelves are white high-strength plastic
- Door opening is 11 3/4" wide
- Features a DR1530 door

Wall Easy Reach

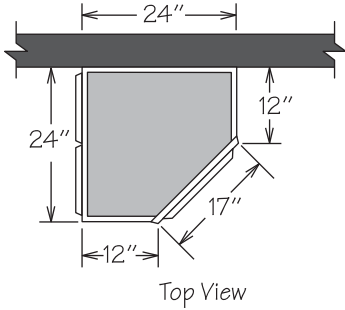


	A	Adj. Shelves
WER2430	30 1/8"	2
WER2436	36 1/8"	2
WER2439	39 1/8"	3
WER2442	42 1/8"	3

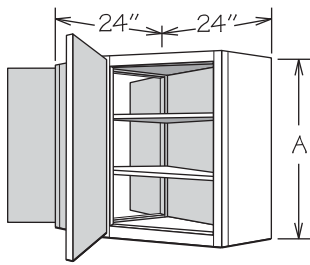
<ul style="list-style-type: none"> WER2430 WER2436 WER2439 WER2442 	<table border="1"> <tr><td>APC</td></tr> <tr><td>FE</td></tr> <tr><td>MI</td></tr> <tr><td>PE</td></tr> </table>	APC	FE	MI	PE
APC					
FE					
MI					
PE					

- Features a bi-fold door

Peninsula Corner Wall



Top View

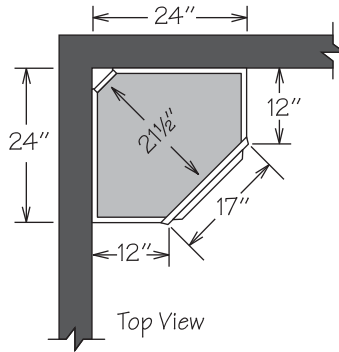


	A	Adj. Shelves
PWCW2430 BUTT	30 1/8"	2
PWCW2436 BUTT	36 1/8"	2
PWCW2439 BUTT	39 1/8"	3
PWCW2442 BUTT	42 1/8"	3

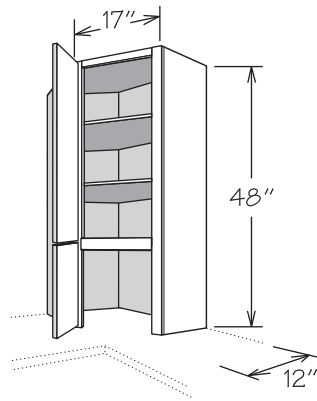
■ PWCW2430 BUTT	APC
■ PWCW2436 BUTT	FE
■ PWCW2439 BUTT	MI
■ PWCW2442 BUTT	PE
	VDO
PWCW2430 BUTT SD	
PWCW2436 BUTT SD	
PWCW2439 BUTT SD	
PWCW2442 BUTT SD	

- Two doors on peninsula side
- Recommend attachment to soffit or ceiling and to all adjacent cabinets

Corner Wall
With Appliance Garage



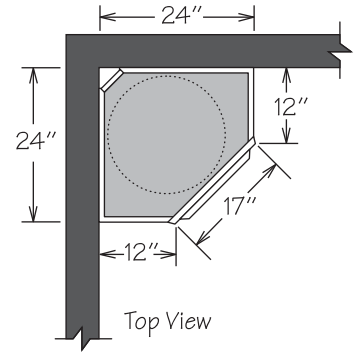
Top View



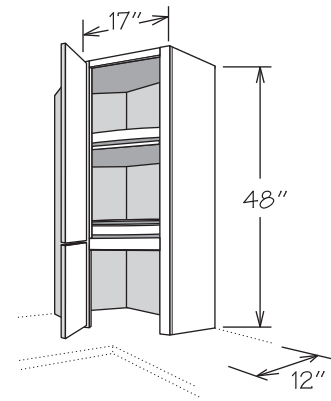
■ CWD2448	APC
CWD2448 SD	FE
	MI
	PE
	VDO

- Two adjustable shelves
- Features two doors:
 - (1) DR1530
 - (1) DR1518
- 11 3/4" wide x 26 7/8" high top door opening
- 11 3/4" wide x 16 1/4" high appliance garage opening
- Specialty door option only applies to top door - replacement DR1518 SD can be ordered separately for bottom door
- Not available in legacy Hickory

Corner Wall
With Appliance Garage
and Wood Spin Units



Top View

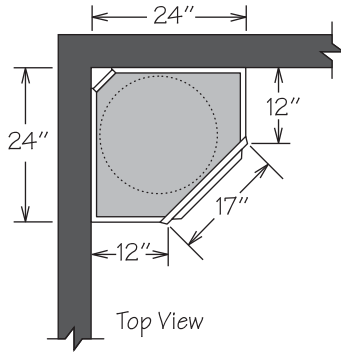


■ CWDS2448 WD	APC
CWDS2448 WD SD	FE
	MI
	PE
	VDO

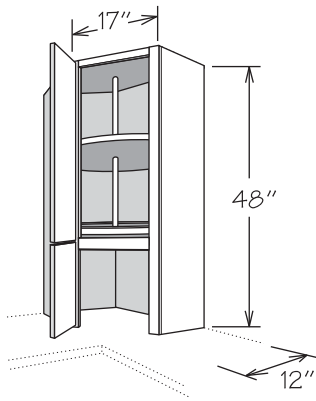
- Top section features:
 - One fixed wood spin unit mounted on cabinet floor
 - One wood spin unit attached to 3/4" adjustable shelf
- Natural finished wood spin units feature 1" lip and are 18" in diameter
- Features two doors:
 - (1) DR1530
 - (1) DR1518
- 11 3/4" wide x 26 7/8" high top door opening
- 11 3/4" wide x 16 1/4" high appliance garage opening
- Specialty door option only applies to top door - replacement DR1518 SD can be ordered separately for bottom door
- Not available in legacy Hickory

Corner Wall
With Appliance Garage
and Plastic Spin Units

FACTORY
 INSTALLED



Top View

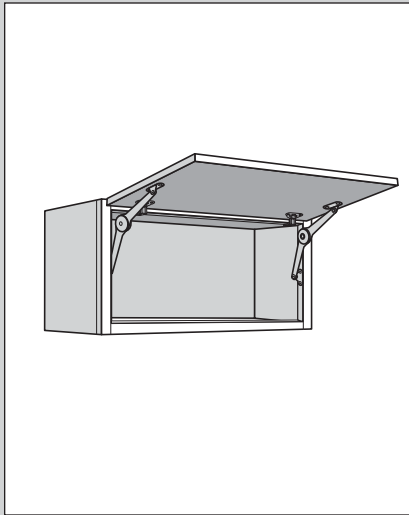


■ CWDS2448
 CWDS2448 SD

APC
FE
■ MI
PE
■ VDO

- Top section features two 18" diameter full round spin shelves with pole (top shelf adjustable)
- Shelves are white high-strength plastic
- Features two doors:
 - (1) DR1530
 - (1) DR1518
- 11 3/4" wide x 26 3/4" high top door opening
- 11 3/4" wide x 16 1/4" high appliance garage opening
- Specialty door option only applies to top door - replacement DR1518 SD can be ordered separately for bottom door
- Not available in legacy Hickory

Wall Top Hinge Cabinets

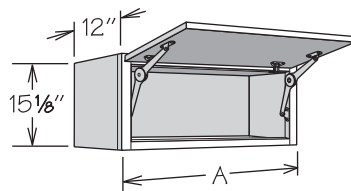


Wall Top Hinge cabinets are 30" or 36" wide, 15" or 18" high and 12" or 24" deep.

Sydney in Breeze, Cascade and Drift features a door with vertical grain direction. All other door styles use a standard wall door in horizontal orientation which causes rails, stiles and insert panel grain direction to differ from standard wall cabinets.

For Increased Depth cabinets, please refer to the installation notes listed in the Increased Depth Construction Option section.

Wall Top Hinge 15" High

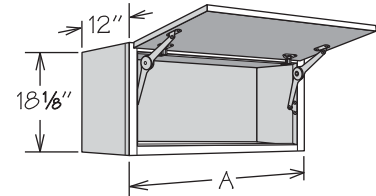


	A
WTH3015	30"
WTH3615	36"

■ WTH3015	APC
■ WTH3615	FE
WTH3015 SD	ID
WTH3615 SD	MI
	PE
	RD
	VDO

- No shelf
- Features one pair of factory-installed field-adjustable lid stays that supports door securely at any angle up to 105 degrees
- Not available for Cottage or Solana door styles
- Cabinet can be flipped to open downwards and lid stays can be adjusted to support door
- Wall Top Hinge SD cabinets not available with HFD, MFD or PFD selections
- Only available with RD-11 through RD-8

Wall Top Hinge 18" High

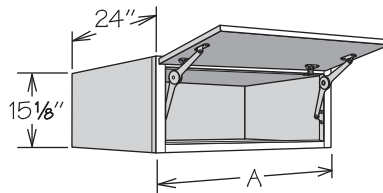


	A
WTH3018	30"
WTH3618	36"

■ WTH3018	APC
■ WTH3618	FE
WTH3018 SD	ID
WTH3618 SD	MI
	PE
	RD
	VDO

- No shelf
- Features one pair of factory-installed field-adjustable lid stays that supports door securely at any angle up to 105 degrees
- Not available for Cottage or Solana door styles
- Cabinet can be flipped to open downwards and lid stays can be adjusted to support door
- Wall Top Hinge SD cabinets not available with HFD, MFD or PFD selections
- Only available with RD-11 through RD-8

Wall Top Hinge 15" High x 24" Deep

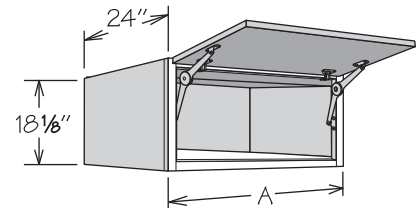


	A
WTH3015 X 24DP	30"
WTH3615 X 24DP	36"

■ WTH3015 X 24DP	APC
■ WTH3615 X 24DP	FE
WTH3015 X 24DP SD	MI
WTH3615 X 24DP SD	PE
	RD
	VDO

- No shelf
- Features one pair of factory-installed field-adjustable lid stays that supports door securely at any angle up to 105 degrees
- Not available for Cottage or Solana door styles
- Cabinet can be flipped to open downwards and lid stays can be adjusted to support door
- Each side of cabinet must be attached to a cabinet, wall or Refrigerator Return Panel
- Wall Top Hinge SD cabinets not available with HFD, MFD or PFD selections
- Only available with RD-23 through RD-8

Wall Top Hinge 18" High x 24" Deep

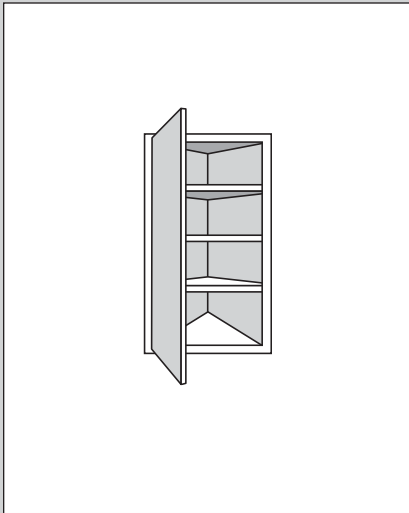


	A
WTH3018 X 24DP	30"
WTH3618 X 24DP	36"

■ WTH3018 X 24DP	APC
■ WTH3618 X 24DP	FE
WTH3018 X 24DP SD	MI
WTH3618 X 24DP SD	PE
	RD
	VDO

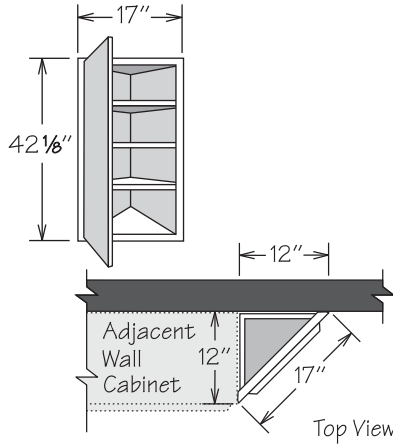
- No shelf
- Features one pair of factory-installed field-adjustable lid stays that supports door securely at any angle up to 105 degrees
- Not available for Cottage or Solana door styles
- Cabinet can be flipped to open downwards and lid stays can be adjusted to support door
- Each side of cabinet must be attached to a cabinet, wall or Refrigerator Return Panel
- Wall Top Hinge SD cabinets not available with HFD, MFD or PFD selections
- Only available with RD-23 through RD-8

Wall End Angle Cabinets



Wall End Angle cabinets must be ordered hinged left or right.

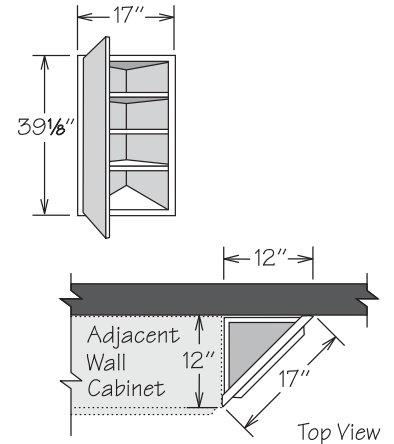
Wall End Angle
42" High



- WEA1242
 - WEA1242 SD
- | |
|-------|
| APC |
| ■ MI |
| ■ PE |
| ■ VDO |

- Requires 12" x 12" space
- Three adjustable shelves
- Features a DR1542 door

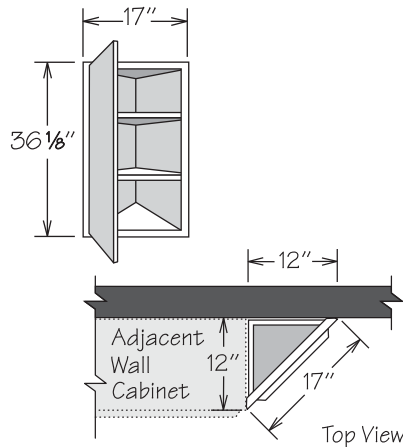
Wall End Angle
39" High



- WEA1239
 - WEA1239 SD
- | |
|-------|
| APC |
| ■ MI |
| ■ PE |
| ■ VDO |

- Requires 12" x 12" space
- Three adjustable shelves
- Features a DR1539 door

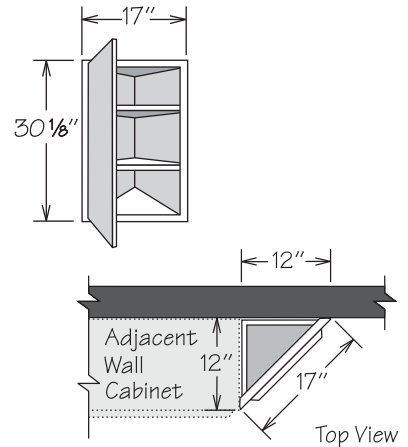
Wall End Angle
36" High



- WEA1236
 - WEA1236 SD
- | |
|-------|
| APC |
| ■ MI |
| ■ PE |
| ■ VDO |

- Requires 12" x 12" space
- Two adjustable shelves
- Features a DR1536 door

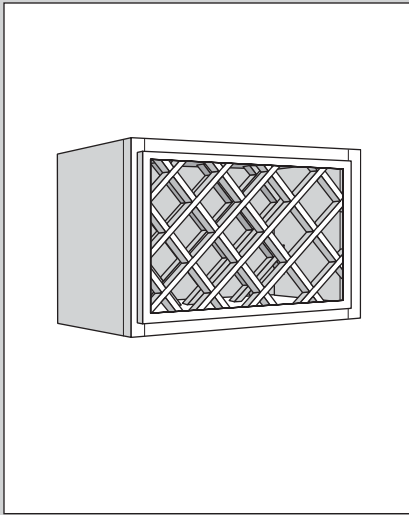
Wall End Angle
30" High



- WEA1230
 - WEA1230 SD
- | |
|-------|
| APC |
| ■ MI |
| ■ PE |
| ■ VDO |

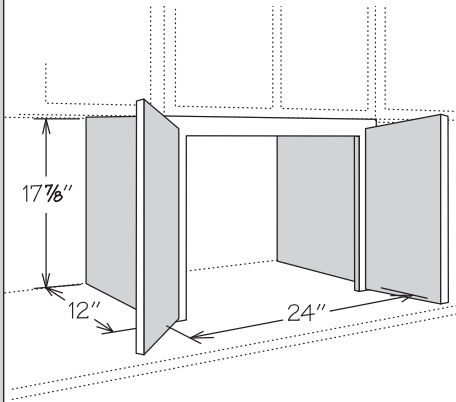
- Requires 12" x 12" space
- Two adjustable shelves
- Features a DR1530 door

Specialty Wall Cabinets

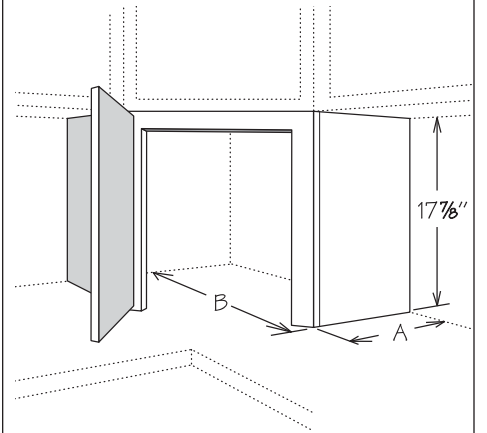


Specialty Wall Cabinets ordered in Duraform door styles are finished to match cabinet box exterior unless noted otherwise.

Straight Appliance Garage



Corner Appliance Garage



	A	B
AGD2418	12"	24"
AGD2718	15"	27"

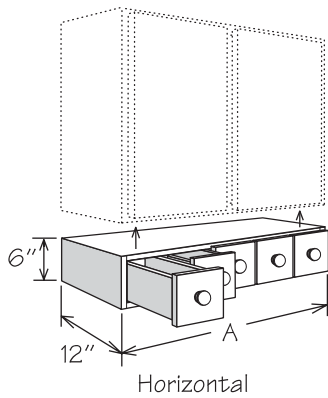
■ AGSD24 BUTT	APC
AGSD24 BUTT SD	FE
	ID
	■ MI
	PE
	RD
	■ VDO

- Features two DR1218 BUTT (SD) doors
- Installs below minimum 24" wide wall cabinet
- 20 1/4" wide x 16 1/2" high frame opening
- Shipped with side panels unattached

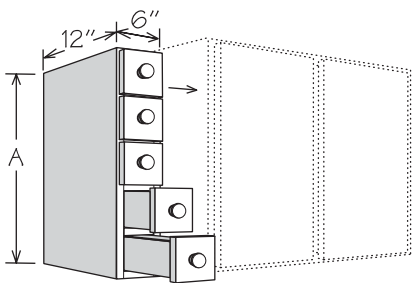
■ AGD2418	APC
■ AGD2718	FE
AGD2418 SD	■ MI
AGD2718 SD	PE
	■ VDO

- Features one DR1518 (SD) door
- Installs below CW and CWS corner wall cabinets
- 11 3/4" wide x 16 1/2" high frame opening
- Shipped with side panels unattached
- Not available in legacy Hickory

Spice Drawer Cabinet



Horizontal



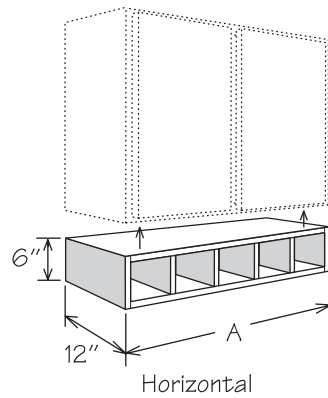
Vertical

	A	Number of Drawers
SDC18	18"	3
SDC24	24"	4
SDC30	30"	5
SDC36	36"	6

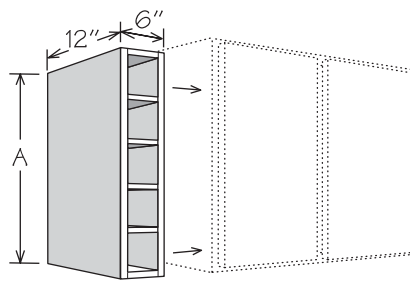
SDC18
SDC24
SDC30
SDC36

- Designed for horizontal or vertical installation
- Vertical installation may require the use of fillers and/ or molding which must be ordered separately
- Features veneered engineered wood with exterior only finished
- Drawer fronts are finished to match cabinet box exterior
- Flush sides
- All wood drawer body with dovetail construction
- Features 1/2" thick drawer fronts
- Breeze, Pewter Glaze and Linen (Duraform and Painted) finishes feature white porcelain knobs, all other finishes feature matching wood knobs

Storage Cube



Horizontal



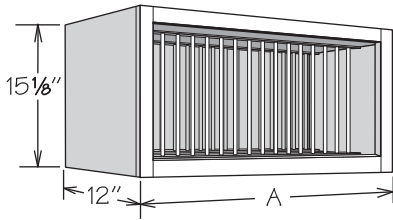
Vertical

	A	Number of Openings
SC30	30"	5
SC36	36"	6
SC42	42"	7

SC30
SC36
SC42

- Designed for horizontal or vertical installation
- Vertical installation may require the use of fillers and/ or molding which must be ordered separately
- Opening size is 5" wide x 4 1/2" high (horizontal) which will accommodate most wine bottles and various other storage needs
- Features 3/4" veneered engineered wood finished to match cabinet box exterior
- Interior finished to match cabinet box exterior
- Flush sides
- Cannot be retrofitted with Spice Drawer cabinet drawers

Wall China Cabinet

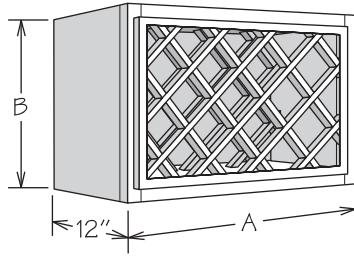


	A	Number of Plates
WCC2415	24"	9
WCC3015	30"	12
WCC3615	36"	15

WCC2415 WCC3015 WCC3615	APC
	FE
	PE

- Interior finished to match cabinet box exterior
- Use with 11½" diameter (or smaller) dinner plates
- Spindles can be removed for cleaning
- Spindles shipped separately for field installation
- Accent Molding recommended - order separately
- Use of Accent Molding will reduce available plate diameter to 11"

Wine Rack Cabinet

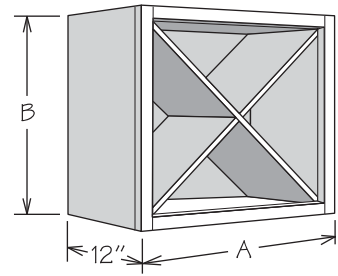


	A	B	Number of Bottles
WRC1530	15"	30½"	10
WRC1830	18"	30½"	11
WRC3015	30"	15½"	10
WRC3018	30"	18½"	11
WRC3615	36"	15½"	13

WRC1530 WRC1830 WRC3015 WRC3018 WRC3615	APC
	FE
	PE

- Interior finished to match cabinet box exterior
- Wine bottle opening is 4" x 4"
- Cabinet must be installed between two adjacent cabinets or one cabinet and wall

Wine Storage Cabinet

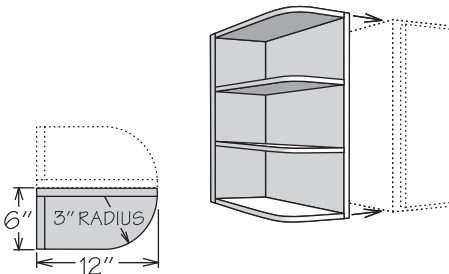


	A	B	Number of Bottles
WSC1818	18"	18½"	12
WSC2424	24"	24½"	30

WSC1818 WSC2424	APC
	FE
	PE

- Interior finished to match cabinet box exterior
- Standard cabinet sides are ½" engineered wood with TuffTech finish
- Features ¾" plywood partitions
- Cabinet must be installed between two adjacent cabinets or one cabinet and wall
- Accent Molding recommended - order separately

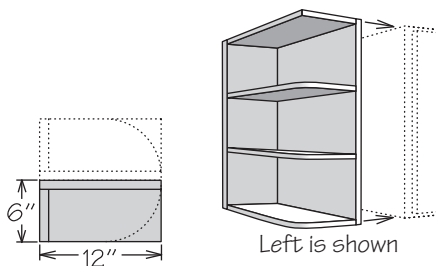
Shelf End Wall Round Top and Bottom



SEW30
SEW36
SEW39
SEW42

- Interior finished to match cabinet box exterior
- Invert for left or right
- Features ½" veneered engineered wood back and side
- Top, bottom and non-adjustable shelves are ¾" veneered engineered wood with 3" radius
- 30" and 36" high feature two shelves
- 39" and 42" high feature three shelves
- 1½" screw recommended from inside of adjacent cabinet for installation

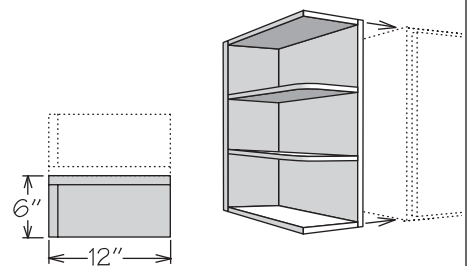
Shelf End Wall Square Top and Round Bottom



SEW30L SQT SEW39L SQT
SEW30R SQT SEW39R SQT
SEW36L SQT SEW42L SQT
SEW36R SQT SEW42R SQT

- Interior finished to match cabinet box exterior
- Must be ordered as right or left - NOT reversible
- Features ½" veneered engineered wood back and side
- Top, bottom and non-adjustable shelves are ¾" veneered engineered wood
- Bottom shelf features a 3" radius
- 30" and 36" high feature two shelves
- 39" and 42" high feature three shelves
- 1½" screw recommended from inside of adjacent cabinet for installation

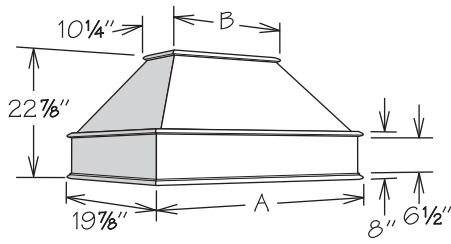
Shelf End Wall Square Top and Bottom



SEW30 SQTB
SEW36 SQTB
SEW39 SQTB
SEW42 SQTB

- Interior finished to match cabinet box exterior
- Invert for left or right
- Features ½" veneered engineered wood back and side
- Top, bottom and non-adjustable shelves are ¾" veneered engineered wood
- Intermediate shelves feature a 3" radius
- 30" and 36" high feature two shelves
- 39" and 42" high feature three shelves
- 1½" screw recommended from inside of adjacent cabinet for installation

Straight Valance Range Hood

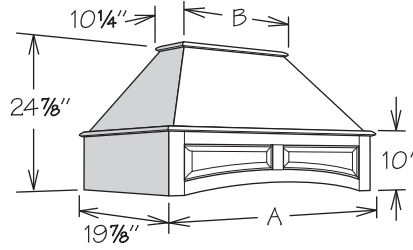


	A	B
RH3624 SV	37 3/4"	18 3/4"
RH4224 SV	43 3/4"	24 3/4"
RH4824 SV	49 3/4"	30 3/4"

RH3624 SV
RH4224 SV
RH4824 SV

- All door styles are finished to match cabinet box exterior
- Wall mounted installation only
- Silver metallic liner included
- Order range hood blower separately
- May be accessorized with Range Hood Chimney - order separately

Raised Panel Arched Valance Range Hood

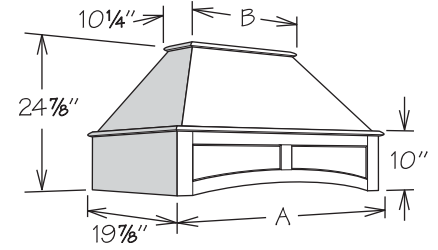


	A	B
RH3624 AV	37 3/4"	18 3/4"
RH4224 AV	43 3/4"	24 3/4"
RH4824 AV	49 3/4"	30 3/4"

RH3624 AV
RH4224 AV
RH4824 AV

- All door styles are finished to match cabinet box exterior
- Wall mounted installation only
- Silver metallic liner included
- Order range hood blower separately
- May be accessorized with Range Hood Chimney - order separately

Flat Panel Arched Valance Range Hood

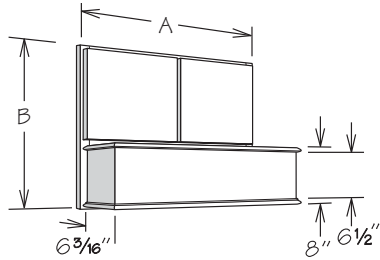


	A	B
RH3624 FV	37 3/4"	18 3/4"
RH4224 FV	43 3/4"	24 3/4"
RH4824 FV	49 3/4"	30 3/4"

RH3624 FV
RH4224 FV
RH4824 FV

- All door styles are finished to match cabinet box exterior
- Wall mounted installation only
- Silver metallic liner included
- Order range hood blower separately
- May be accessorized with Range Hood Chimney - order separately

Wall Range Hood Straight Valance

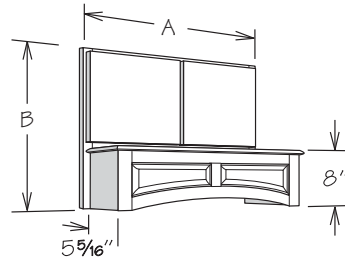


	A	B	Doors
WRH3024 SV	30"	24"	(2) DR1515 BUTT
WRH3624 SV	36"	24"	(2) DR1815 BUTT
WRH3027 SV	30"	27"	(2) DR1518 BUTT
WRH3627 SV	36"	27"	(2) DR1818 BUTT
WRH3030 SV	30"	30"	(2) DR1521 BUTT
WRH3630 SV	36"	30"	(2) DR1821 BUTT

WRH3024 SV WRH3030 SV
WRH3624 SV WRH3630 SV
WRH3027 SV
WRH3627 SV

- Must be installed between two wall cabinets
- Wall Range Hood features center stile behind BUTT doors
- Range hood doors will match door style ordered
- For Duraform door styles, only the doors will be Duraform, all other finished surfaces will match cabinet box exterior
- Door opens to allow for duct work installation and wiring
- Silver metallic liner included
- Order range hood blower separately
- Not for use with RHVENT 960

Wall Range Hood Raised Panel Arched Valance

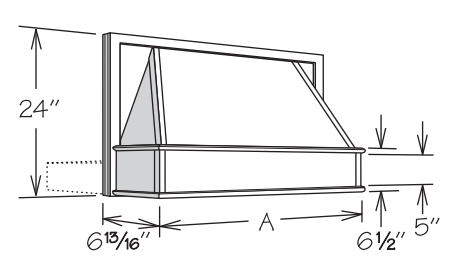


	A	B	Doors
WRH3024 AV	30"	24"	(2) DR1515 BUTT
WRH3624 AV	36"	24"	(2) DR1815 BUTT
WRH3027 AV	30"	27"	(2) DR1518 BUTT
WRH3627 AV	36"	27"	(2) DR1818 BUTT
WRH3030 AV	30"	30"	(2) DR1521 BUTT
WRH3630 AV	36"	30"	(2) DR1821 BUTT

WRH3024 AV WRH3030 AV
WRH3624 AV WRH3630 AV
WRH3027 AV
WRH3627 AV

- Must be installed between two wall cabinets
- Wall Range Hood features center stile behind BUTT doors
- Range hood doors will match door style ordered
- For Duraform door styles, only the doors will be Duraform, all other finished surfaces will match cabinet box exterior
- Door opens to allow for duct work installation and wiring
- Silver metallic liner included
- Order range hood blower separately
- Not for use with RHVENT 960

Tapered Range Hood

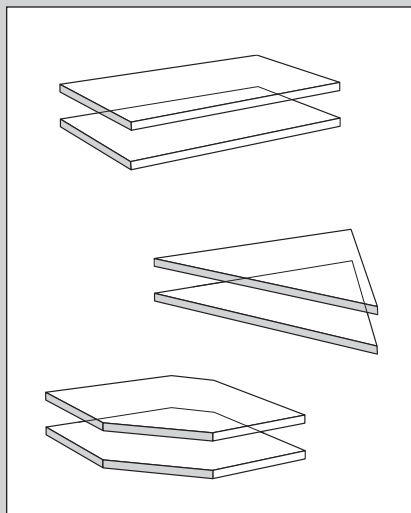


	A
RH3024 T	30"
RH3624 T	36"

RH3024 T
RH3624 T

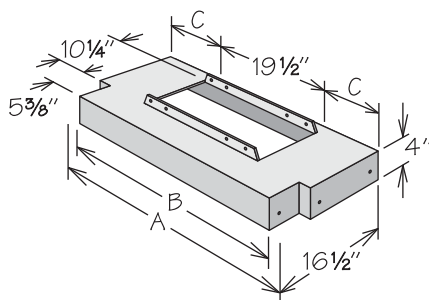
- All door styles are finished to match cabinet box exterior
- Must be installed between two wall cabinets
- Silver metallic liner included
- Order range hood blower separately
- Not for use with RHVENT 960

Accessories



Wall Accessories ordered in Duraform door styles are finished to match cabinet box exterior unless noted otherwise.

Tapered Hood Liner

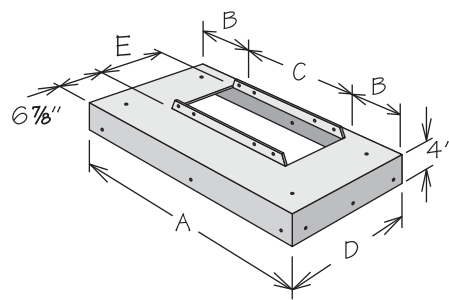


	A	B	C
RHLINER 30	29 5/16"	26 3/16"	5 7/32"
RHLINER 36	35 15/16"	32 3/16"	8 7/32"

RHLINER 30
RHLINER 36

- Liner is silver metallic powder-coated metal
- For use with RH__ T, WRH__ SV or WRH__ AV
- Liner included with range hood

Straight Valance Hood Liner

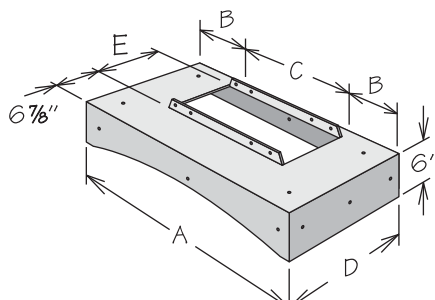


	A	B	C	D	E
RHLINER 36S	34 1/32"	7 7/16"	19 1/2"	18 1/4"	10 1/4"
RHLINER 42S	40 1/32"	10 3/16"	19 1/2"	18 1/4"	10 1/4"
RHLINER 48S	46 1/32"	13 3/16"	19 1/2"	18 1/4"	10 1/4"
RHLINER 36S SL1	34 1/32"	3 3/4"	26 3/16"	18 3/8"	12 7/16"
RHLINER 42S SL1	40 1/32"	6 3/4"	26 3/16"	18 3/8"	12 7/16"
RHLINER 48S SL1	46 1/32"	9 3/4"	26 3/16"	18 3/8"	12 7/16"

RHLINER 36S RHLINER 36S SL1
RHLINER 42S RHLINER 42S SL1
RHLINER 48S RHLINER 48S SL1

- Liner is silver metallic powder-coated metal
- For use with RH__ SV
- RHLINER __S SL1 must be used for RHVENT 960 blower
- Liner included with range hood

Arched Valance Hood Liner

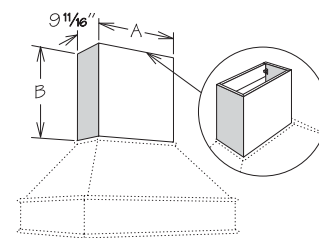


	A	B	C	D	E
RHLINER 36A	34 7/32"	7 7/32"	19 1/2"	18 1/4"	10 1/4"
RHLINER 42A	40 7/32"	10 13/32"	19 1/2"	18 1/4"	10 1/4"
RHLINER 48A	46 7/32"	13 3/32"	19 1/2"	18 1/4"	10 1/4"
RHLINER 36A SL1	34 7/32"	3 3/8"	26 3/16"	18 1/4"	12 7/16"
RHLINER 42A SL1	40 7/32"	6 7/8"	26 3/16"	18 1/4"	12 7/16"
RHLINER 48A SL1	46 7/32"	9 7/8"	26 3/16"	18 1/4"	12 7/16"

RHLINER 36A RHLINER 36A SL1
RHLINER 42A RHLINER 42A SL1
RHLINER 48A RHLINER 48A SL1

- Liner is silver metallic powder-coated metal
- Liner features front arch to correspond with the Raised or Flat Panel Arched Valance Range Hood
- For use with RH__ AV or RH__ FV
- RHLINER __A SL1 must be used for RHVENT 960 blower
- Liner included with range hood

Range Hood Chimney
Plain

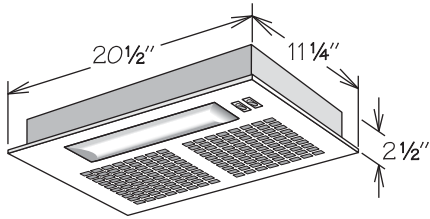


	A	B
RHC3623	17 3/8"	23 1/2"
RHC4223	23 3/8"	23 1/2"
RHC4823	29 3/8"	23 1/2"
RHC3631	17 3/8"	31 1/2"
RHC4231	23 3/8"	31 1/2"
RHC4831	29 3/8"	31 1/2"

RHC3623 RHC3631
RHC4223 RHC4231
RHC4823 RHC4831

- Field trimmable in height
- All door styles feature 3/4" solid wood finished to match cabinet box exterior
- Features two chimney mounting blocks with metal fasteners
- For use with Straight Valance, Raised Panel Arched Valance or Flat Panel Arched Valance Range Hoods
- All door styles are finished to match cabinet box exterior

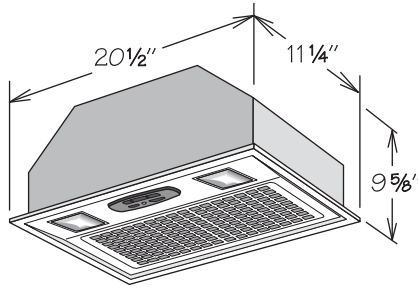
Range Hood Blower
250 CFM Vented



RHVENT 250

- Designed for vented installation where exhaust is vented to exterior of home
- Durable, powder-coated silver finish
- Features a two-speed motor and enclosed light controlled by rocker switches
- 6 3/8" fan provides 250 CFM air delivery and sound level of 8.0 Sones
- Includes one-piece washable aluminum mesh filter and two incandescent 40-watt candelabra bulbs
- Requires 7" round duct for venting to exterior (not included)
- Installation and care instructions included
- Liner not included

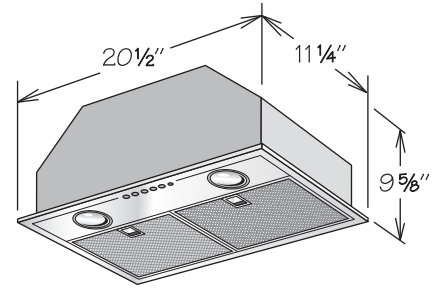
Range Hood Blower
390 CFM Vented



RHVENT 390

- Designed for vented installation where exhaust is vented to exterior of home
- Durable, powder-coated silver finish
- Features a multi-speed fan and enclosed light controlled by separate switches
- Centrifugal blower provides 390 CFM air delivery and sound level of 5.5 Sones
- Includes one-piece washable aluminum mesh filter and two incandescent 40-watt candelabra bulbs
- Requires 6" round duct for venting to exterior (not included)
- Installation and care instructions included
- Liner not included

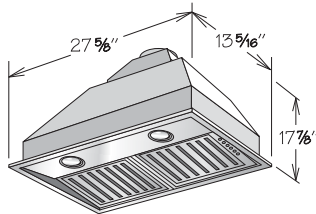
Range Hood Blower
500 CFM Vented



RHVENT 500

- Designed for vented installation where exhaust is vented to exterior of home
- Durable, stainless steel with brushed finish
- Features a multi-speed fan and enclosed light controlled by separate switches
- Centrifugal blower provides 500 CFM air delivery and sound level of 8.0 Sones
- Includes two 12V 20W halogen lamps
- Includes two washable filters with stainless steel covers
- Requires 6" round duct for venting to exterior (not included)
- Installation and care instructions included
- Liner not included

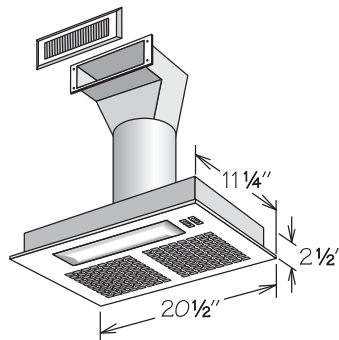
Range Hood Blower
960 CFM - Vented



RHVENT 960

- Designed for vented installation where exhaust is vented to exterior of home
- Durable stainless steel with brushed finish
- Features a 4-speed push-button control to offer greater CFM flexibility; 960 CFM, 660 CFM, 480 CFM and 300 CFM
- Centrifugal blower provides 960 CFM air delivery and sound level of 5.1 Sones on highest speed
- Includes two 4-watt 12V MR16 LED bulbs - Daylight
- Stainless baffle filters are easily removed for cleaning (dishwasher safe)
- 10 minute delay off timer
- Requires 7" round duct for venting to exterior (not included)
- Installation and care instructions included
- Not designed for use with the following:
 - Tapered Range Hood
 - Wall Range Hood Straight Valance
 - Wall Range Hood Arched Valance

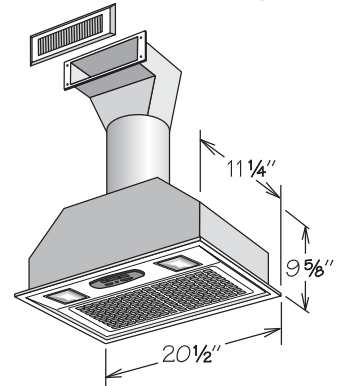
Range Hood Blower
250 CFM Recirculating



RHVENT 250R

- Designed for recirculating installation where exhaust is vented back into kitchen
- Includes ductwork, metal soffit air grille, charcoal filter(s) and clips
- Durable, powder-coated silver finish
- Features a two-speed motor and enclosed light controlled by rocker switches
- 6 3/8" fan provides 250 CFM air delivery and sound level of 8.0 Sones
- Includes one-piece washable aluminum mesh filter and two incandescent 40-watt candelabra bulbs
- Installation and care instructions included
- Metal grille measures 11 1/4" x 5 5/8"
- 10" x 3" cutout required for metal grille
- Liner not included

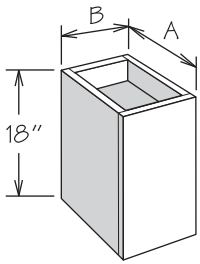
Range Hood Blower
390 CFM Recirculating



RHVENT 390R

- Designed for recirculating installation where exhaust is vented back into kitchen
- Includes ductwork, metal soffit air grille, charcoal filter(s) and clips
- Durable, powder-coated silver finish
- Features a multi-speed fan and enclosed light controlled by separate switches
- Centrifugal blower provides 390 CFM air delivery and sound level of 5.5 Sones
- Includes one-piece washable aluminum mesh filter and two incandescent 40-watt candelabra bulbs
- Installation and care instructions included
- Metal grille measures 11 1/4" x 5 5/8"
- 10" x 3" cutout required for metal grille
- Liner not included

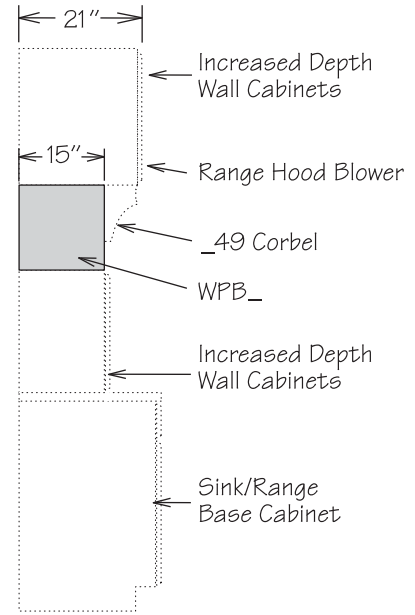
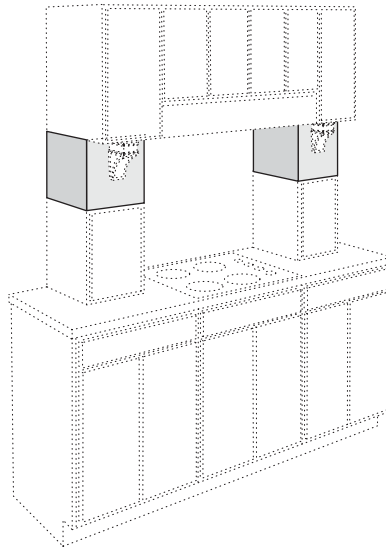
Wall Plain Box Filler



	A	B
WPB91815	15"	9"
WPB121815	15"	12"

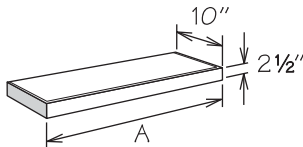
WPB91815
WPB121815

- All door styles finished to match cabinet box exterior
- Veneered engineered wood
- Features 1/4" side reveal
- Trimmable in height to 14 1/8" tall
- Reversible for left or right installation
- Recommend ordering end panels or molding to cover seams between stacked cabinets



WALL CABINETS

Floating Shelf



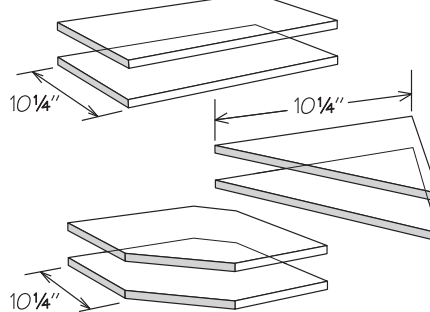
SKU	A	Max. Load
FLSH2410	24"	30 lbs.
FLSH3010	30"	37 lbs.
FLSH3610	36"	45 lbs.
FLSH4210	42"	52 lbs.
FLSH4810	48"	60 lbs.

FLSH2410
FLSH3010
FLSH3610
FLSH4210
FLSH4810

- Not trimmable
- Features veneered engineered wood top and bottom and solid wood front and sides
- Finished on all sides to match cabinet box exterior
- When installed between two cabinets, Furniture Ends (FE) is recommended for adjacent cabinets
- Must be secured to studs in wall
- Installation instructions, mounting brackets and screws included

Glass Shelf Kit

12" Deep

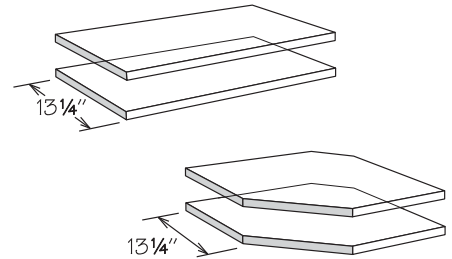


GSK12 GSK30
GSK15 GSK33
GSK18 GSK36
GSK21 GSKCW24
GSK24 GSKWEA12
GSK27

- For use in 12" deep wall cabinets
- Glass Shelf Kit includes two 1/4" high-strength tempered glass shelves
- Kit does not include shelf rests
- Refer to individual SKU box for number of shelves required and/or available
- Tempered glass cannot be field trimmed
- Glass Shelf Kits 12" - 24" wide have a 15 lb. per square foot load rating
- Glass Shelf Kits 27" - 36" wide have a 5 lb. per square foot load rating

Glass Shelf Kit

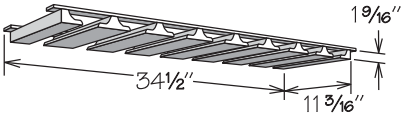
15" Deep



GSK12-15 GSK27-15
GSK15-15 GSK30-15
GSK18-15 GSK33-15
GSK21-15 GSK36-15
GSK24-15 GSKCW27

- For use in wall cabinets increased to 15" deep
- Glass Shelf Kit includes two 1/4" high-strength tempered glass shelves
- Kit does not include shelf rests
- Refer to individual SKU box for number of shelves required and/or available
- Tempered glass cannot be field trimmed
- Glass Shelf Kits 12" - 24" wide have a 15 lb. per square foot load rating
- Glass Shelf Kits 27" - 36" wide have a 5 lb. per square foot load rating

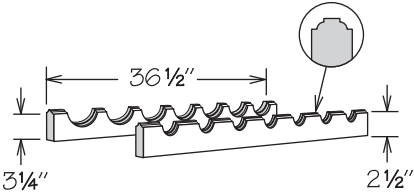
Stem Glass Holder



SGH36U

- For installation below 36" wide wall cabinet
- Field trimmable for installation below 30", 24" or 18" wide wall cabinets
- Features solid wood finished to match cabinet box exterior
- Maximum stem glass base is 3 1/2" in diameter
- Not sized to fit modified depth cabinets

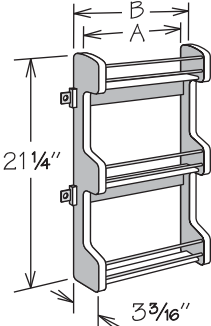
Wine Rack



WR36

- Accommodates seven bottles
- Field trimmable to 30" (six bottles) or 24" (five bottles)
- Features solid wood finished to match cabinet box exterior

Spice Rack Kit



	A	B
SRK15	9 1/2"	10 1/2"
SRK18	12 1/2"	13 1/2"
SRK21	15 1/2"	16 1/2"

SRK15
SRK18
SRK21

- Field installation accessory
- Kit features natural finish solid wood with chrome rails and three fixed shelves
- Position cabinet adjustable shelves prior to installation
- For wall cabinets 30" or higher
- SRK15 mounts to 15" or 16" wide door
- SRK18 mounts to 18" or 19" wide door
- SRK21 mounts to 21" wide door