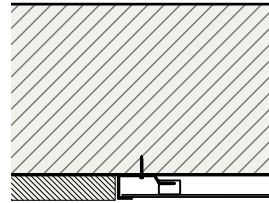
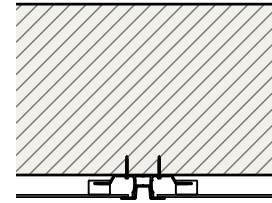


WALL DETAILS INDEX: HORIZONTAL SECTION

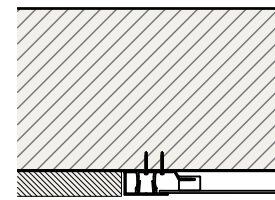
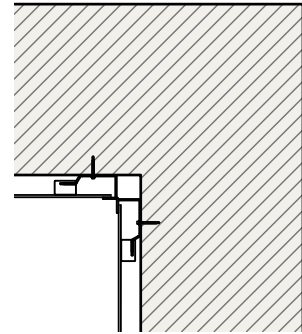
Detail 1a // Page 02
Scale 1"=8'-0"



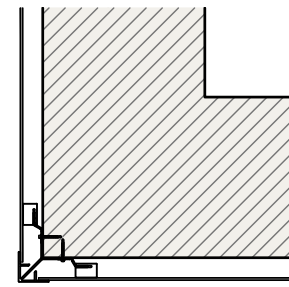
Detail 2 // Page 03
Scale 1"=8'-0"



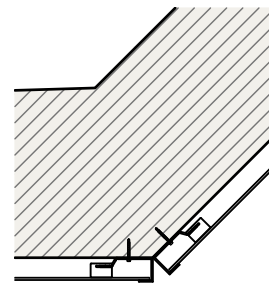
Detail 3 // Page 04
Scale 1"=8'-0"



Detail 1b // Page 02
Scale 1"=8'-0"

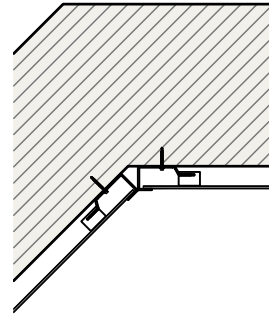


Detail 4 // Page 05
Scale 1"=8'-0"

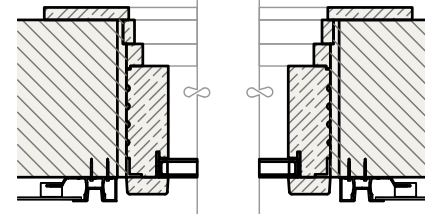


Detail 5 // Page 06
Scale 1"=8'-0"

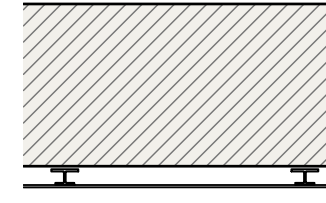
Detail 6 // Page 07
Scale 1"=8'-0"



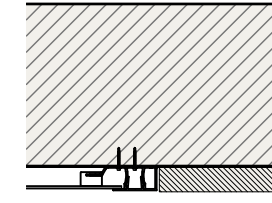
Detail 7 // Page 08
Scale 1"=8'-0"



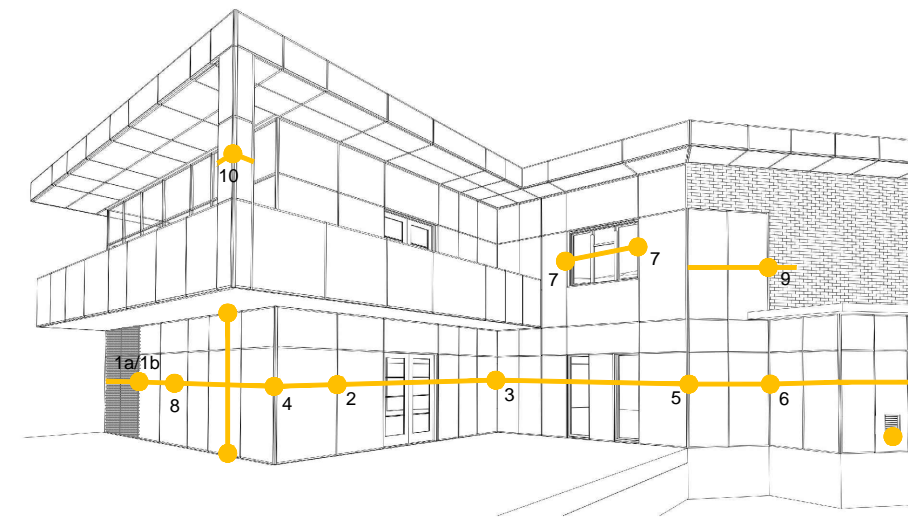
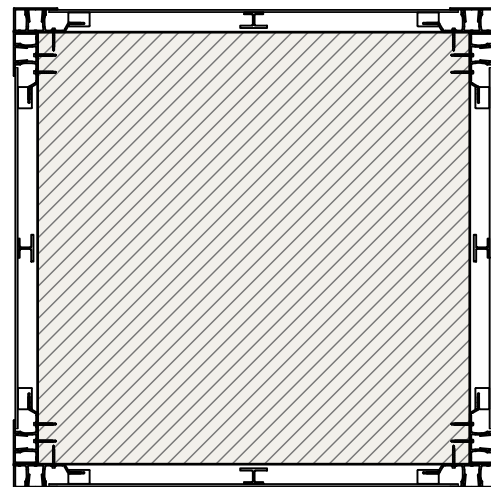
Detail 8 // Page 09
Scale 1"=8'-0"



Detail 9 // Page 10
Scale 1"=8'-0"



Detail 10 // Page 11
Scale 1"=8'-0"



NOTE:
Aluminum Association standard
tolerances to apply unless
otherwise stated.

The contractor / builder must
verify all dimensions on the job
and report any discrepancy to
the designer before proceeding
with the work. All drawings and
specifications are instruments of
service and the copyright
property of the designer and
must be returned upon request.

AL13® System Details

Panel System
3mm / 4mm ACM
Panels

DESCRIPTION:
**HORIZONTAL SECTION
WALL DETAILS**

SCALE:
--

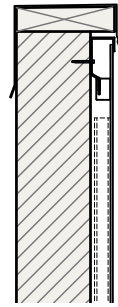
DATE:
01 June 2019

DRAWING
NUMBER:

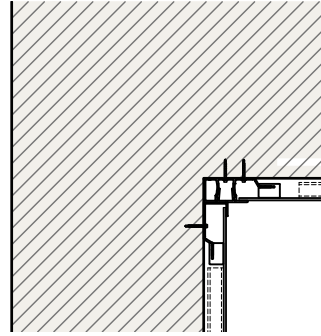
A

WALL DETAILS INDEX: VERTICAL SECTIONS

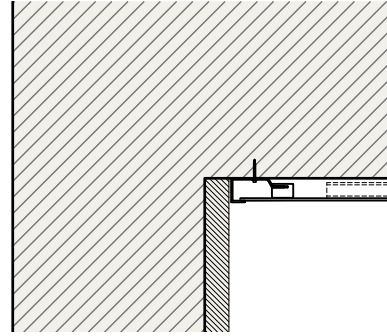
Detail 21 // Page 25
Scale 1"=8'-0"



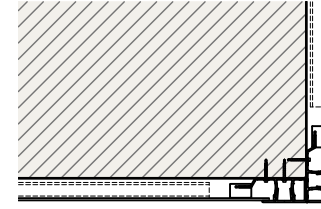
Detail 15b // Page 17
(Detail 15d alt.) // Page 19
Scale 1"=8'-0"



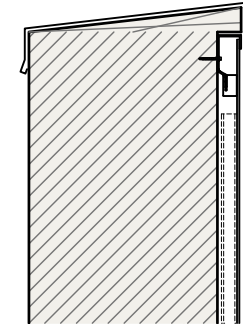
Detail 22 // Page 26
Scale 1"=8'-0"



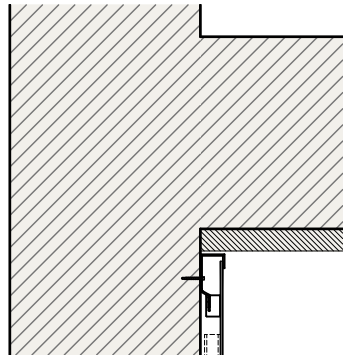
Detail 16b // Page 20
Scale 1"=8'-0"



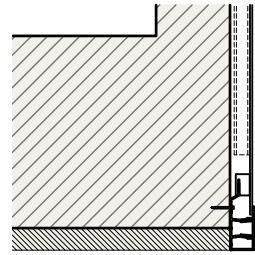
Detail 17 // Page 21
Scale 1"=8'-0"



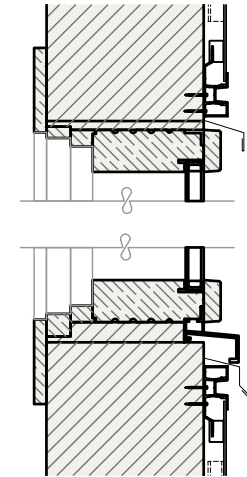
Detail 19 // Page 23
Scale 1"=8'-0"



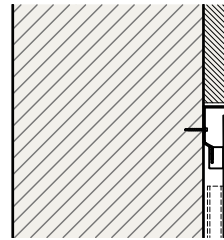
Detail 20 // Page 24
Scale 1"=8'-0"



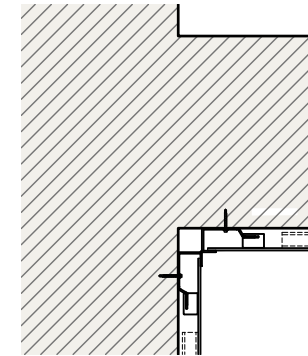
Detail 12a // Page 8
Scale 1"=8'-0"



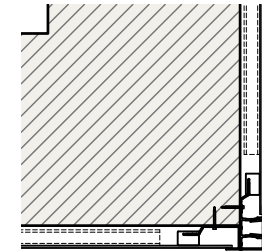
Detail 18 // Page 22
Scale 1"=8'-0"



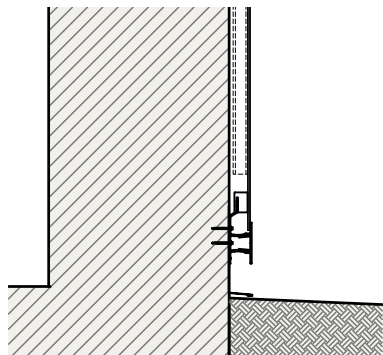
Detail 15a // Page 16
(Detail 15c alt.) // Page 18
Scale 1"=8'-0"



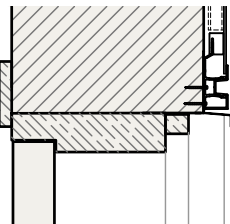
Detail 16a // Page 20
Scale 1"=8'-0"



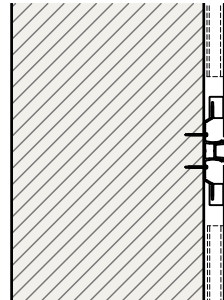
Detail 11a // Page 12
Scale 1"=8'-0"



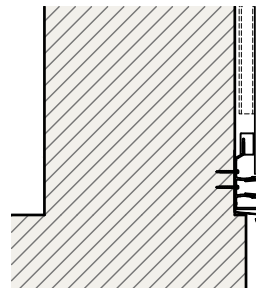
Detail 12b // Page 14
Scale 1"=8'-0"



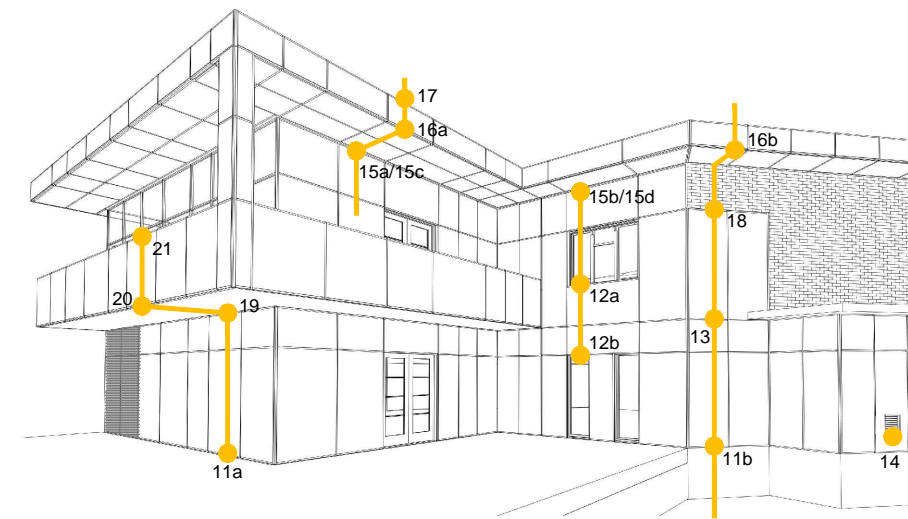
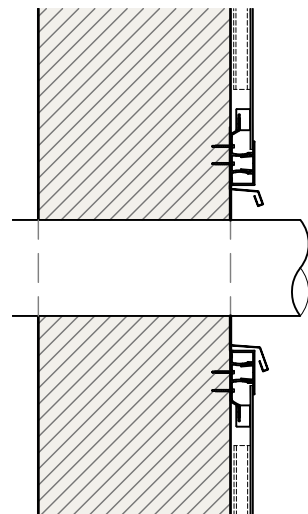
Detail 13 // Page 3
Scale 1"=8'-0"



Detail 11b // Page 13
Scale 1"=8'-0"



Detail 14 // Page 15
Scale 1"=8'-0"



1278 Cliveden Avenue, V6M
6G4 Delta, BC - Canada

TEL. +1(604) 428-2513
MAIL info@al13.com
www.al13.com

NOTE:
Aluminum Association standard tolerances to apply unless otherwise stated.

The contractor / builder must verify all dimensions on the job and report any discrepancy to the designer before proceeding with the work. All drawings and specifications are instruments of service and the copyright property of the designer and must be returned upon request.

AL13® System Details

Panel System
3mm / 4mm ACM
Panels

DESCRIPTION:
**VERTICAL SECTION
WALL DETAILS**

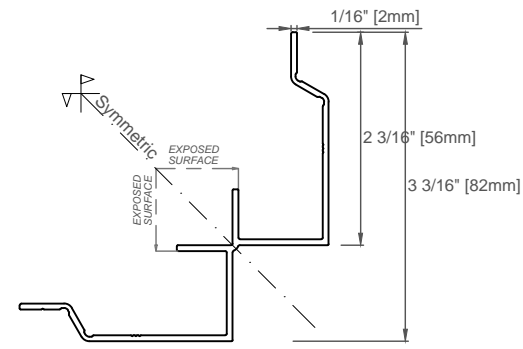
SCALE:
--

DATE:
01 June 2019

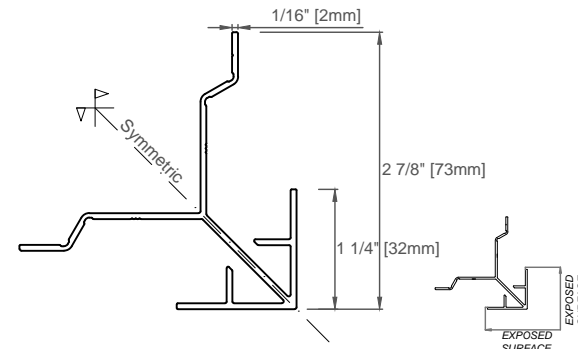
DRAWING
NUMBER:

B

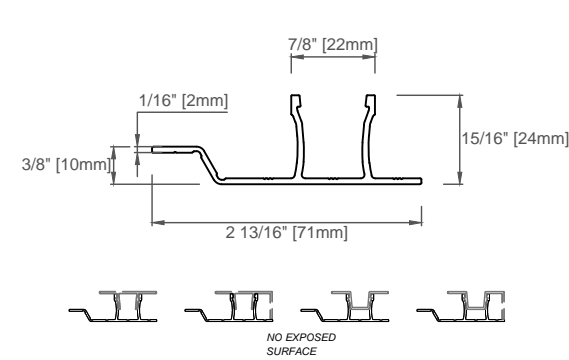
IC-8 - INSIDE CORNER



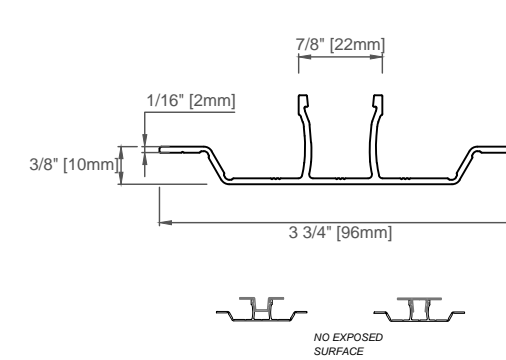
OC-8 - OUTSIDE CORNER



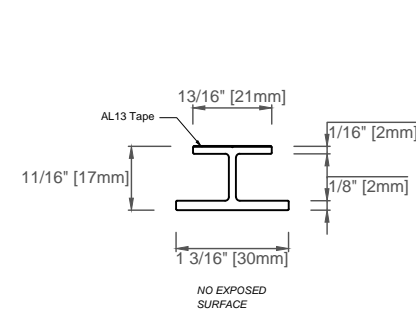
HB-8 - HALF BACK PLATE



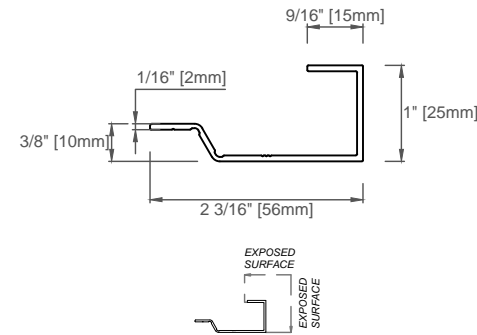
FB-8 - FULL BACK PLATE



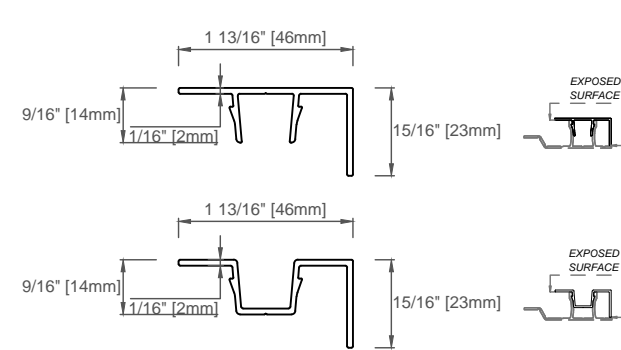
IB - I-BEAM



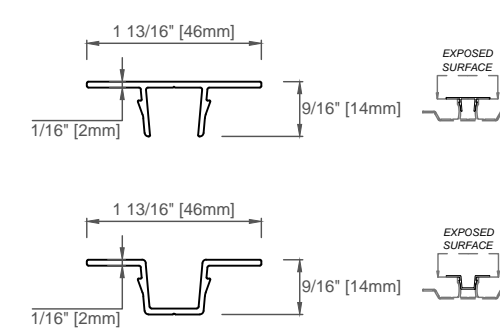
EF-8 - END FRAME



PF-8 - PERIMETER FLAT CAP & PR-8 - PERIMETER REVEAL CAP



FC-8 - FLAT CAP & RC-8 - REVEAL CAP

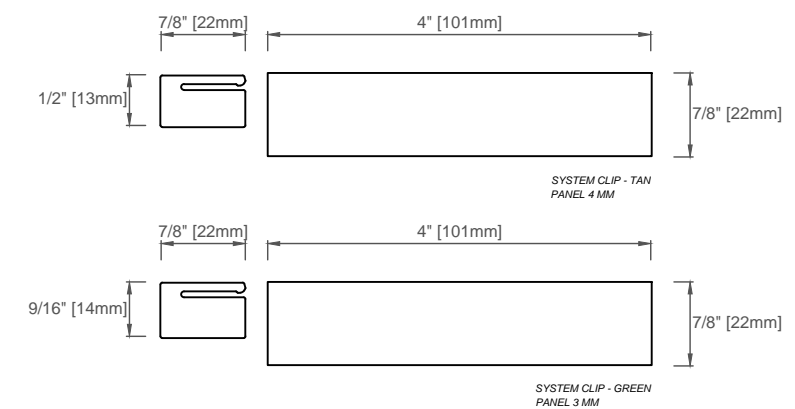


FASTENERS *

	WOOD	METAL	CONCRETE
Hex head	Low profile 5/16" with EPDM washer.	Low profile 5/16".	Low profile 5/16", 3/16" - 1 1/4" concrete fastener.
Size	#12 - 1 1/2" fastener with a mini drill point capable of drilling up to 16 gauge steel.	3/4" fastener with a drill point capable of drilling up to 16 gauge steel.	3/16" D fastener with a mini drill point capable of drilling up to 16 gauge steel.
Specification	AL13- 12-14 X 1-1/2 Tredecim Coated Wood Fastener.	AL13 - 10-16 X 3/4 Tredecim Coated Metal Fastener.	

*See Fasteners Manual for more information.

PLANK SYSTEM CLIP FOR 3MM AND 4 MM PANEL



NOTE:
Aluminum Association standard tolerances to apply unless otherwise stated.

The contractor / builder must verify all dimensions on the job and report any discrepancy to the designer before proceeding with the work. All drawings and specifications are instruments of service and the copyright property of the designer and must be returned upon request.

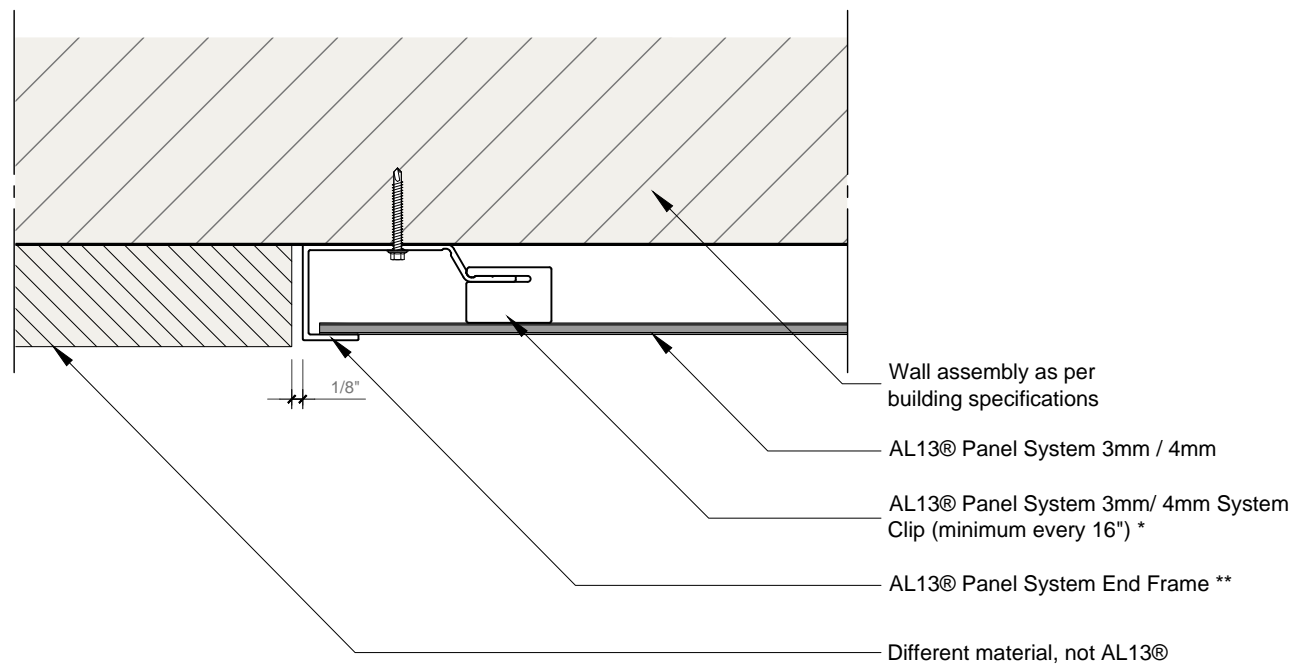
AL13® System Details

Panel System
3mm / 4mm ACM
Panels

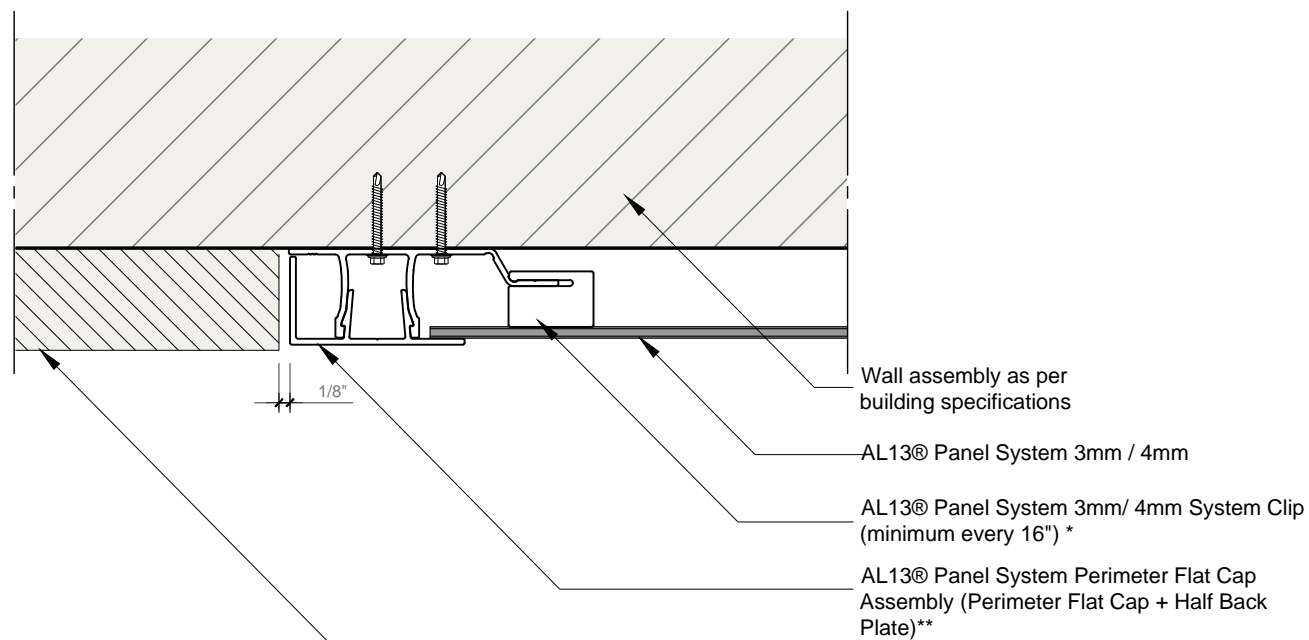
DESCRIPTION:
GENERIC DETAIL
EXTRUSIONS
AND CLIPS

SCALE:
--
DATE:
01 June 2019

DRAWING NUMBER:
01



1a End of the wall - Horizontal Transition (Option A)
Scale 2"=1'-0"

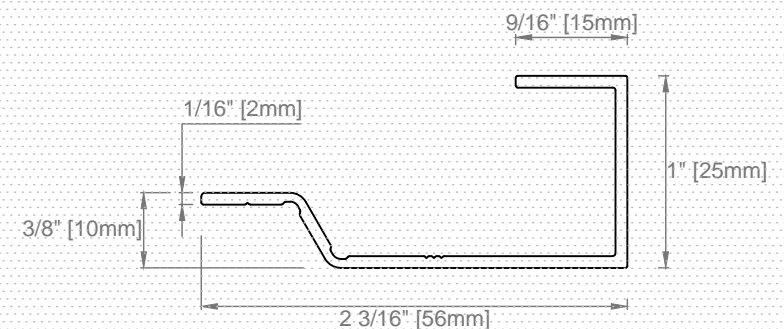


1b End of the wall - Horizontal Transition (Option B)
Scale 2"=1'-0"

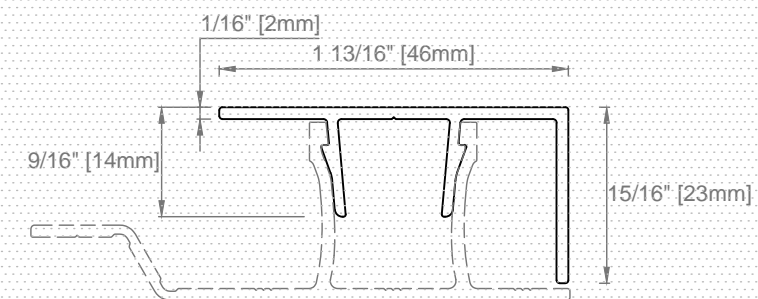
*Position system clips 6-8" away from corners and intersections.
**Minimum 1/8" gap to allow proper contraction and expansion of the extrusion.
See installation manual for more information.

*Position system clips 6-8" away from corners and intersections.
**Minimum 1/8" gap to allow proper contraction and expansion of the extrusion.
See installation manual for more information.

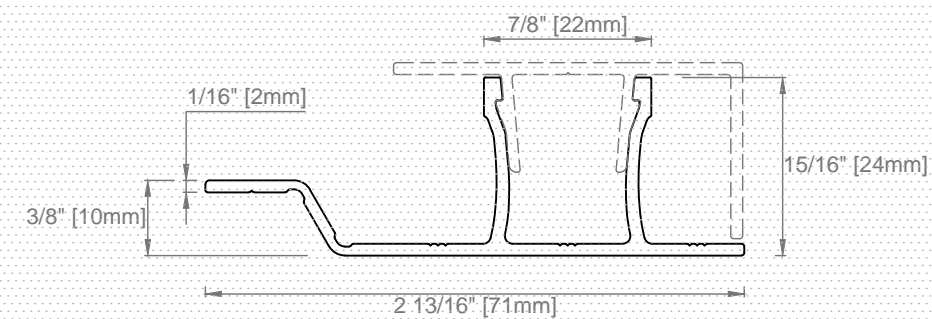
EXTRUSIONS USED IN THE EXAMPLE



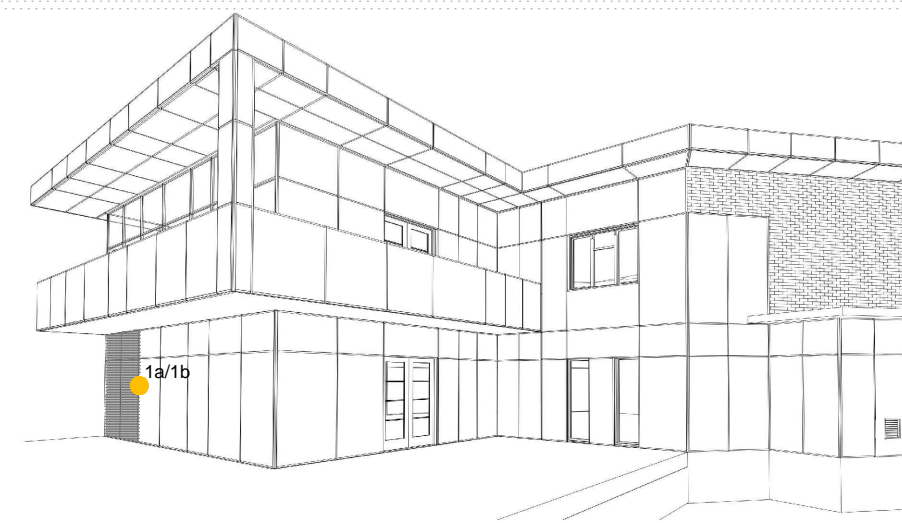
EF-8 Panel System End Frame
Scale 1"=1'-0"



FC-8 Panel System Perimeter Flat Cap
Scale 1"=1'-0"



HB-8 Panel System Half Back Plate
Scale 1"=1'-0"



NOTE:
Aluminum Association standard tolerances to apply unless otherwise stated.

The contractor / builder must verify all dimensions on the job and report any discrepancy to the designer before proceeding with the work. All drawings and specifications are instruments of service and the copyright property of the designer and must be returned upon request.

AL13® System
Details

Panel System
3mm / 4mm ACM
Panels

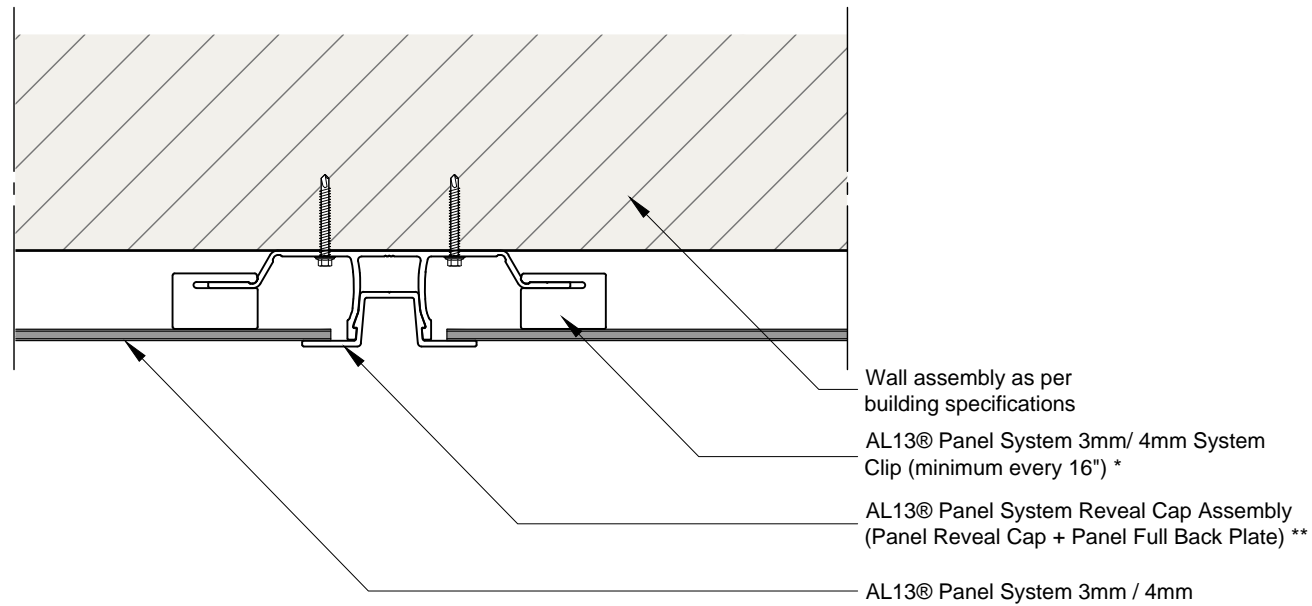
DESCRIPTION:
**GENERIC DETAIL
END OF THE WALL -
HORIZONTAL
TRANSITION**

SCALE:
--

DRAWING
NUMBER:

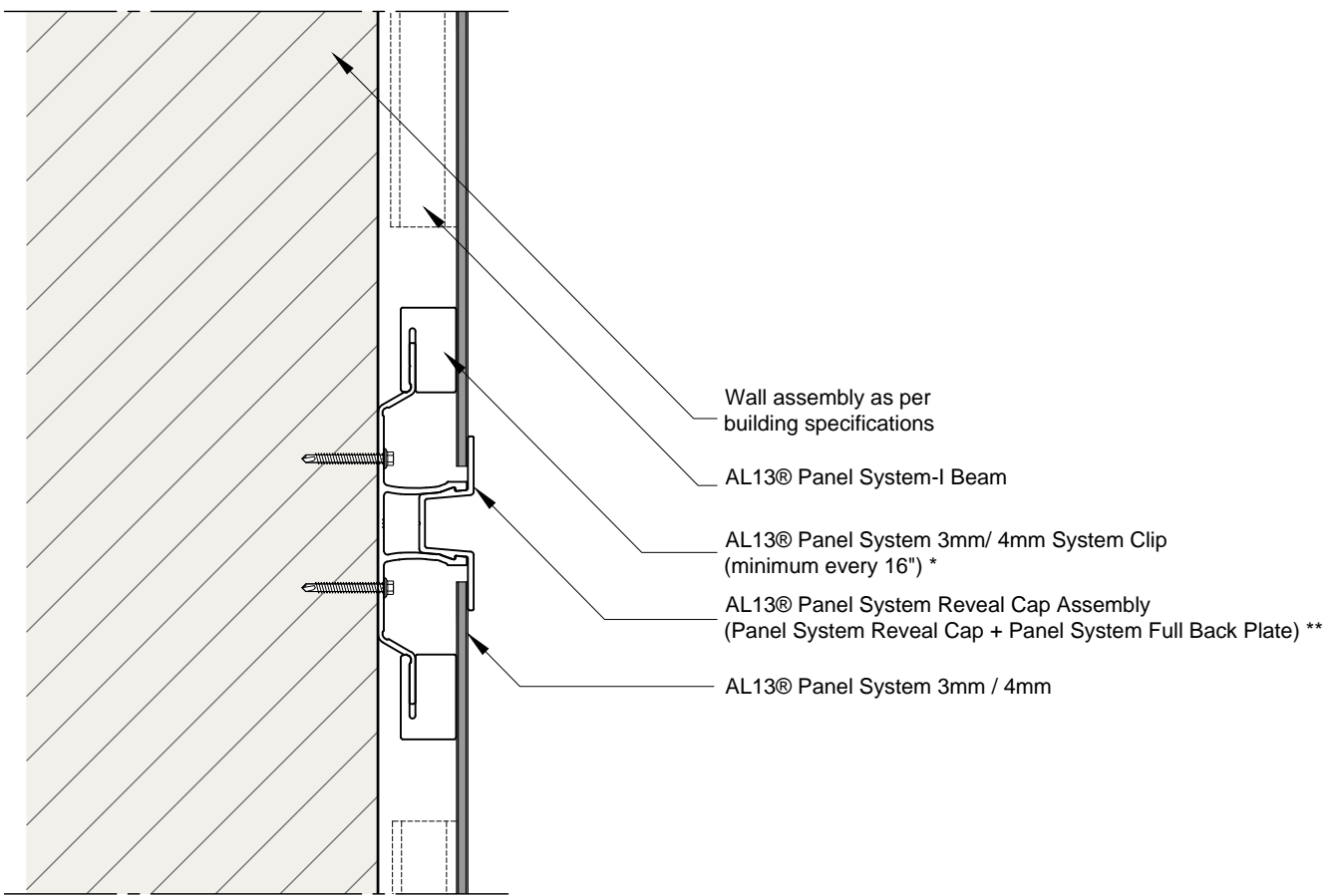
DATE:
01 June 2019

02



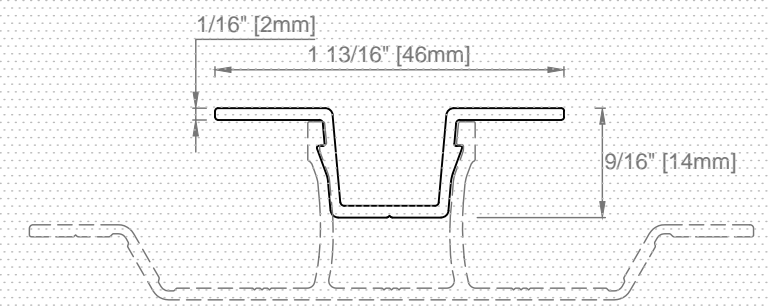
*Position system clips 6-8" away from corners and intersections.
 **Measure and cut horizontal Standard Back Plate in 3.2" segments and install them every 16"; for vertical Full Back Plate allow approximately 2" gap from horizontal upper and lower extrusions. See installation manual for more information.

2 Between Panels
Scale 2"=1'-0"

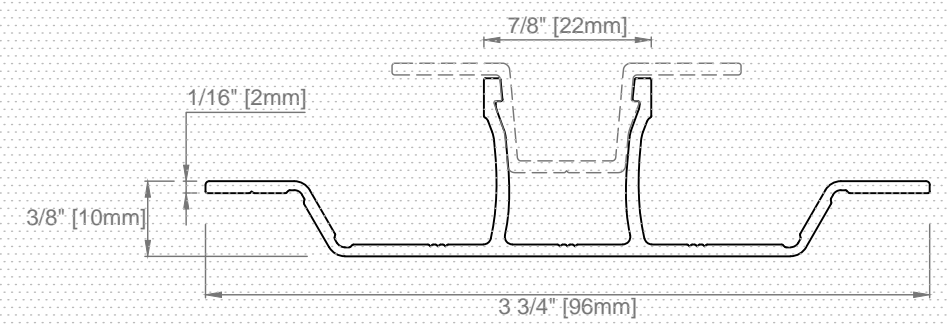


13 Between Panels
Scale 2"=1'-0"

EXTRUSIONS USED IN THE EXAMPLE



RC-8 Panel System Reveal Cap
Scale 1"=1'-0"



FB-8 Panel System Full Back Plate
Scale 1"=1'-0"



1278 Cliveden Avenue, V6M 6G4 Delta, BC - Canada
 TEL. +1(604) 428-2513
 MAIL info@al13.com
 www.al13.com

NOTE:
 Aluminum Association standard tolerances to apply unless otherwise stated.

The contractor / builder must verify all dimensions on the job and report any discrepancy to the designer before proceeding with the work. All drawings and specifications are instruments of service and the copyright property of the designer and must be returned upon request.

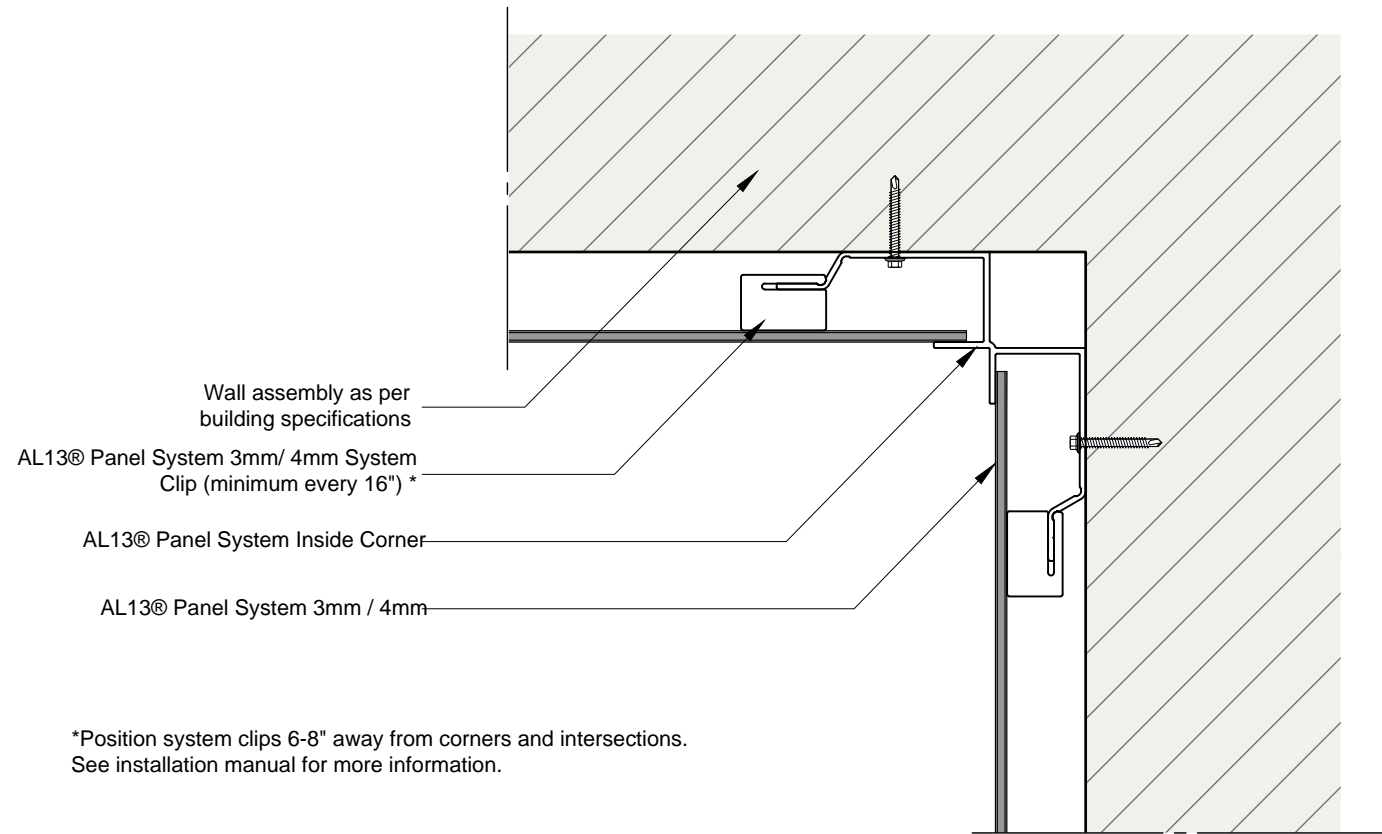
AL13® System Details

Panel System
 3mm / 4mm ACM
 Panels

DESCRIPTION:
**GENERIC DETAIL
 BETWEEN PANELS**

SCALE: --	DRAWING NUMBER: 03
DATE: 01 June 2019	

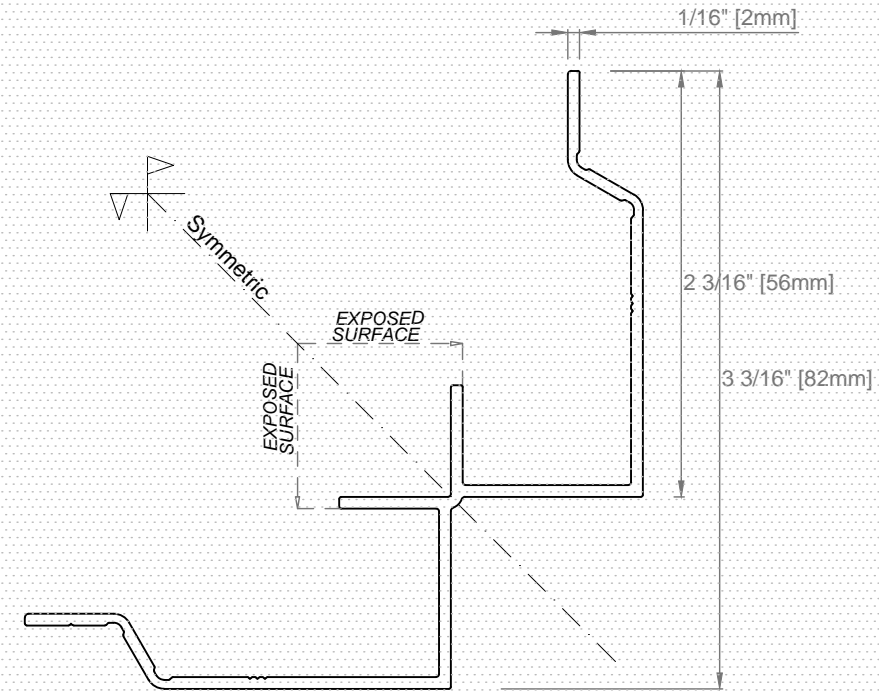




*Position system clips 6-8" away from corners and intersections. See installation manual for more information.

3 Panel System Inside Corner - 90°
Scale 2"=1'-0"

EXTRUSIONS USED IN THE EXAMPLE



IC-8 Panel System Inside Corner
Scale 1"=1'-0"



1278 Cliveden Avenue, V6M 6G4 Delta, BC - Canada

TEL. +1(604) 428-2513
MAIL info@al13.com
www.al13.com

NOTE:
Aluminum Association standard tolerances to apply unless otherwise stated.

The contractor / builder must verify all dimensions on the job and report any discrepancy to the designer before proceeding with the work. All drawings and specifications are instruments of service and the copyright property of the designer and must be returned upon request.

AL13® System Details

Panel System
3mm / 4mm ACM
Panels

DESCRIPTION:
**GENERIC DETAIL
INSIDE CORNER 90°**

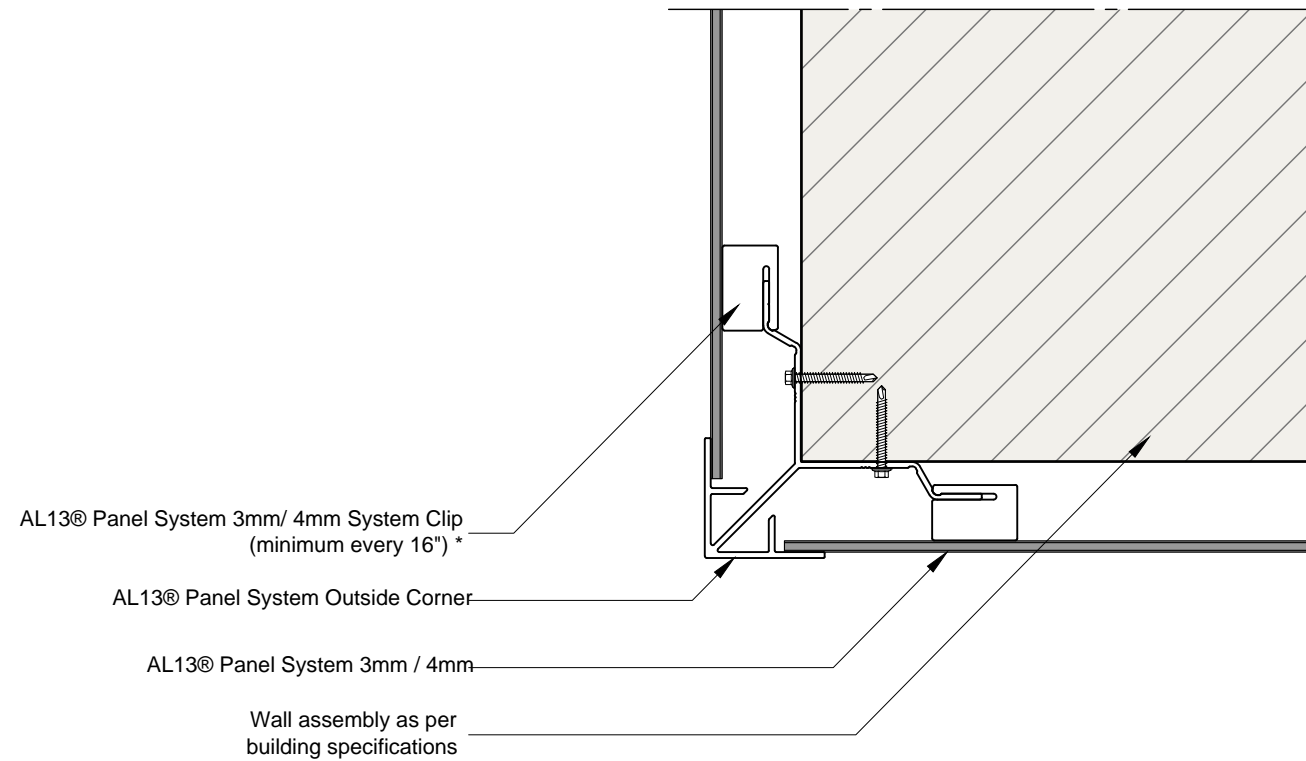
SCALE:
--

DRAWING
NUMBER:

DATE:
01 June 2019

04

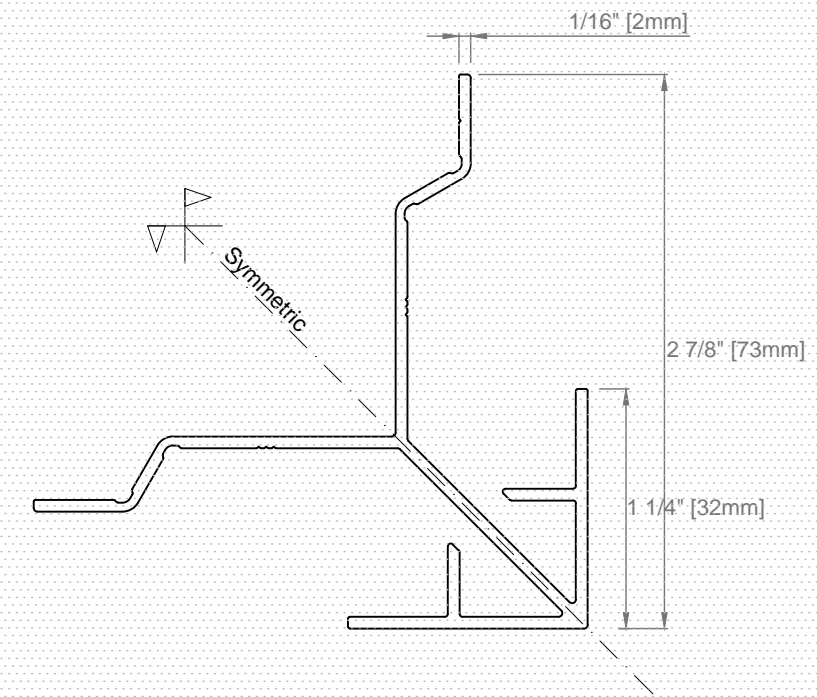




*Position system clips 6-8" away from corners and intersections. See installation manual for more information.

4 Panel System Outside Corner - 90°
Scale 2"=1'-0"

EXTRUSIONS USED IN THE EXAMPLE



OC-8 Panel System Outside Corner
Scale 1"=1'-0"



1278 Cliveden Avenue, V6M 6G4 Delta, BC - Canada
TEL. +1(604) 428-2513
MAIL info@al13.com
www.al13.com

NOTE:
Aluminum Association standard tolerances to apply unless otherwise stated.

The contractor / builder must verify all dimensions on the job and report any discrepancy to the designer before proceeding with the work. All drawings and specifications are instruments of service and the copyright property of the designer and must be returned upon request.

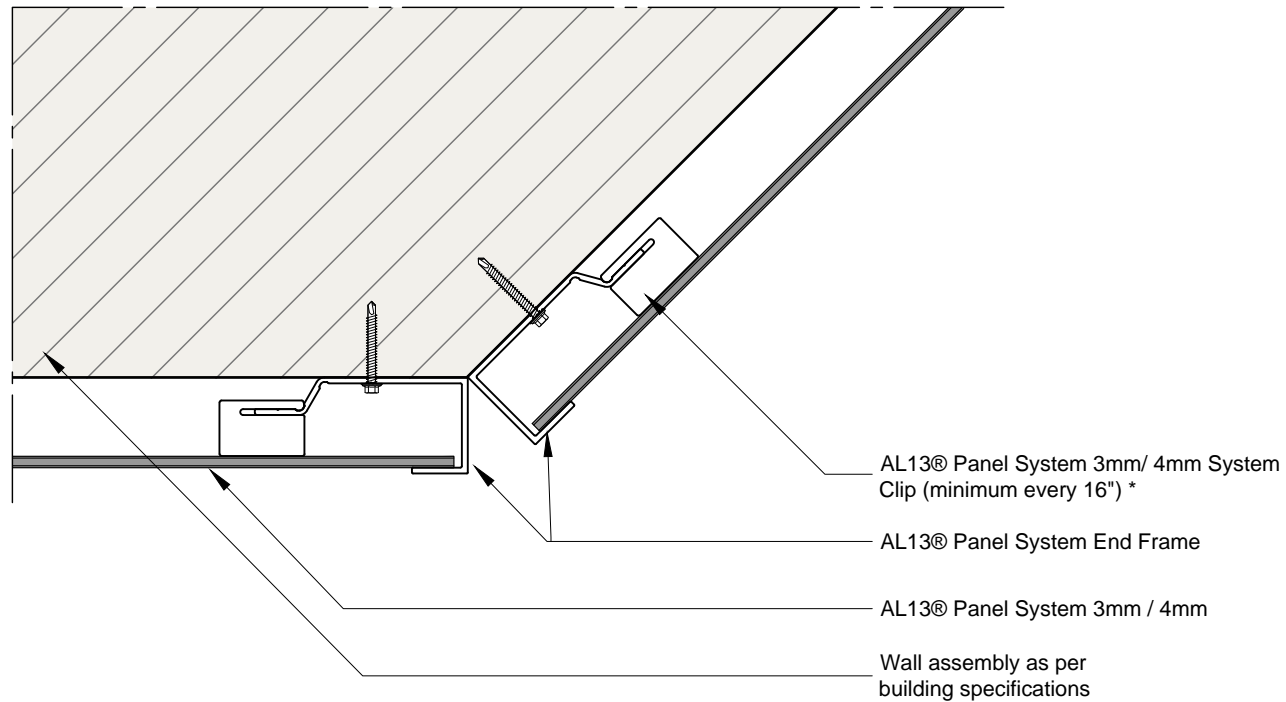
AL13® System Details

Panel System
3mm / 4mm ACM
Panels

DESCRIPTION:
**GENERIC DETAIL
OUTSIDE CORNER 90°**

SCALE: --	DRAWING NUMBER: 05
DATE: 01 June 2019	

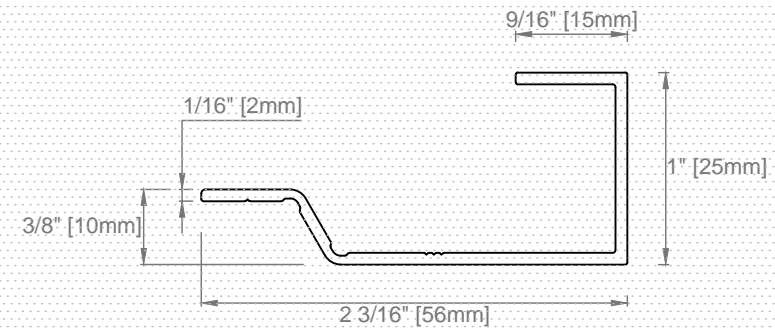




*Position system clips 6-8" away from corners and intersections. See installation manual for more information.

5 Panel System Outside Corner - Not 90°
Scale 2"=1'-0"

EXTRUSIONS USED IN THE EXAMPLE



EF-8 Panel System End Frame
Scale 1"=1'-0"



1278 Cliveden Avenue, V6M 6G4 Delta, BC - Canada

TEL. +1(604) 428-2513
MAIL info@al13.com
www.al13.com

NOTE:
Aluminum Association standard tolerances to apply unless otherwise stated.

The contractor / builder must verify all dimensions on the job and report any discrepancy to the designer before proceeding with the work. All drawings and specifications are instruments of service and the copyright property of the designer and must be returned upon request.

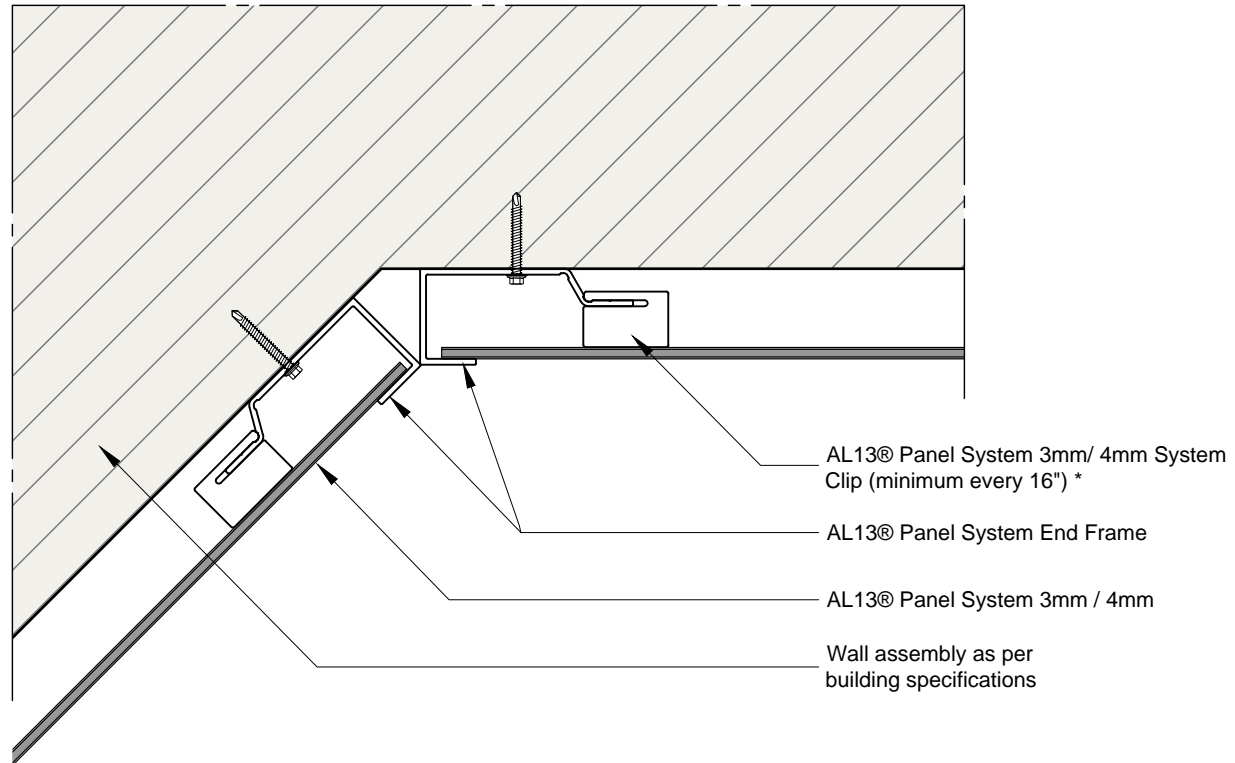
AL13® System Details

Panel System
3mm / 4mm ACM
Panels

DESCRIPTION:
**GENERIC DETAIL
OUTSIDE CORNER
NOT 90°**

SCALE: --	DRAWING NUMBER: 06
DATE: 01 June 2019	

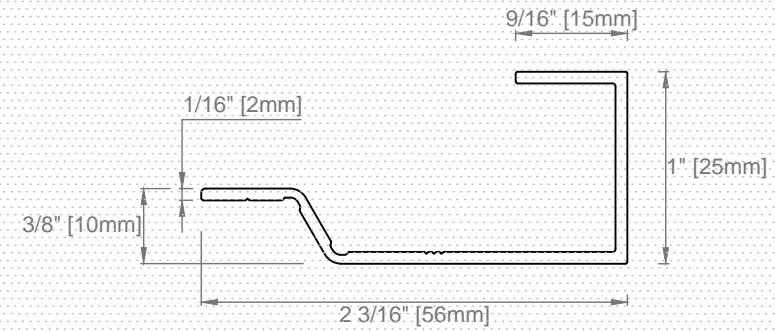




*Position system clips 6-8" away from corners and intersections. See installation manual for more information.

6 Panel System Inside Corner - Not 90°
Scale 2"=1'-0"

EXTRUSIONS USED IN THE EXAMPLE



EF-8 Panel System End Frame
Scale 1"=1'-0"



1278 Cliveden Avenue, V6M 6G4 Delta, BC - Canada

TEL. +1(604) 428-2513
MAIL info@al13.com
www.al13.com

NOTE:
Aluminum Association standard tolerances to apply unless otherwise stated.

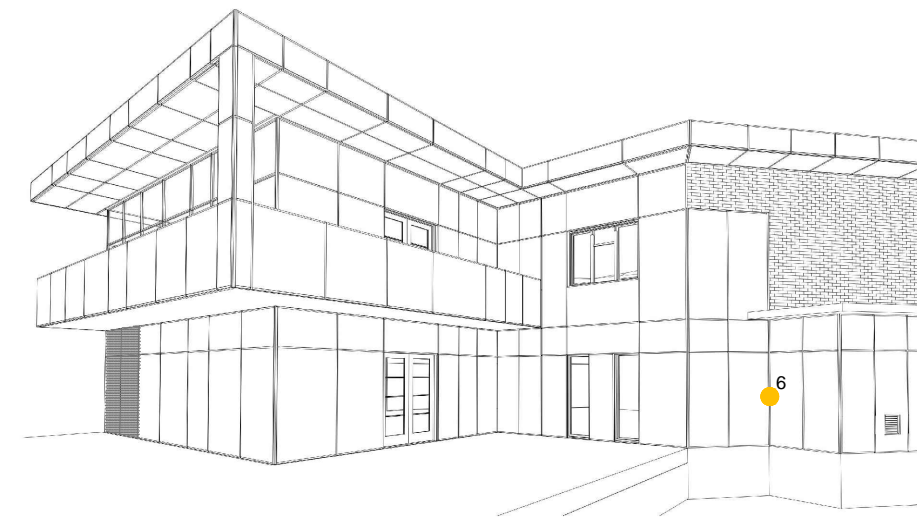
The contractor / builder must verify all dimensions on the job and report any discrepancy to the designer before proceeding with the work. All drawings and specifications are instruments of service and the copyright property of the designer and must be returned upon request.

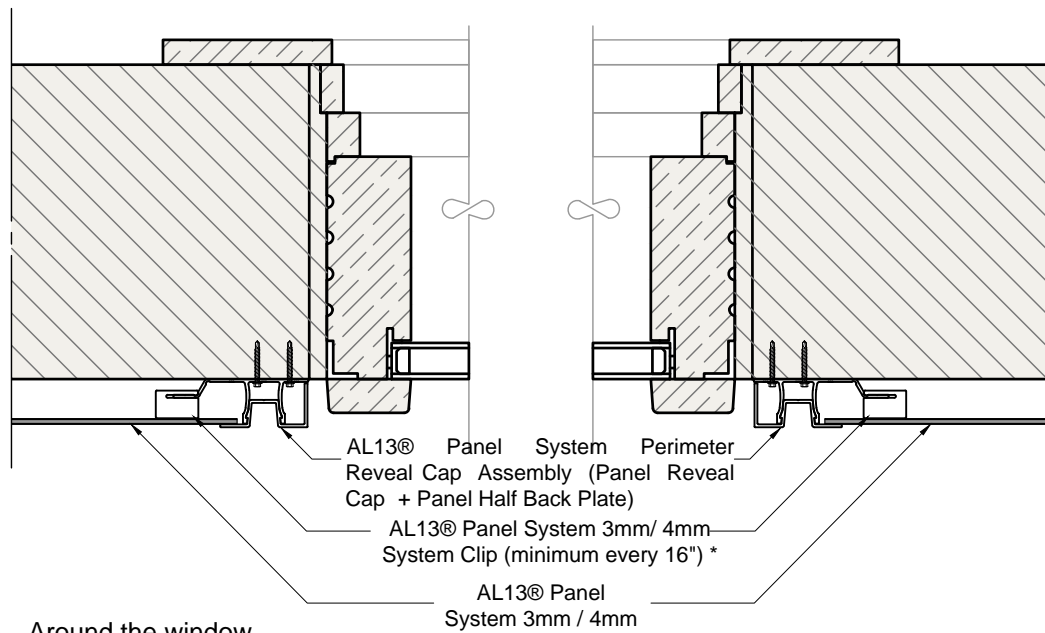
AL13® System Details

Panel System
3mm / 4mm ACM
Panels

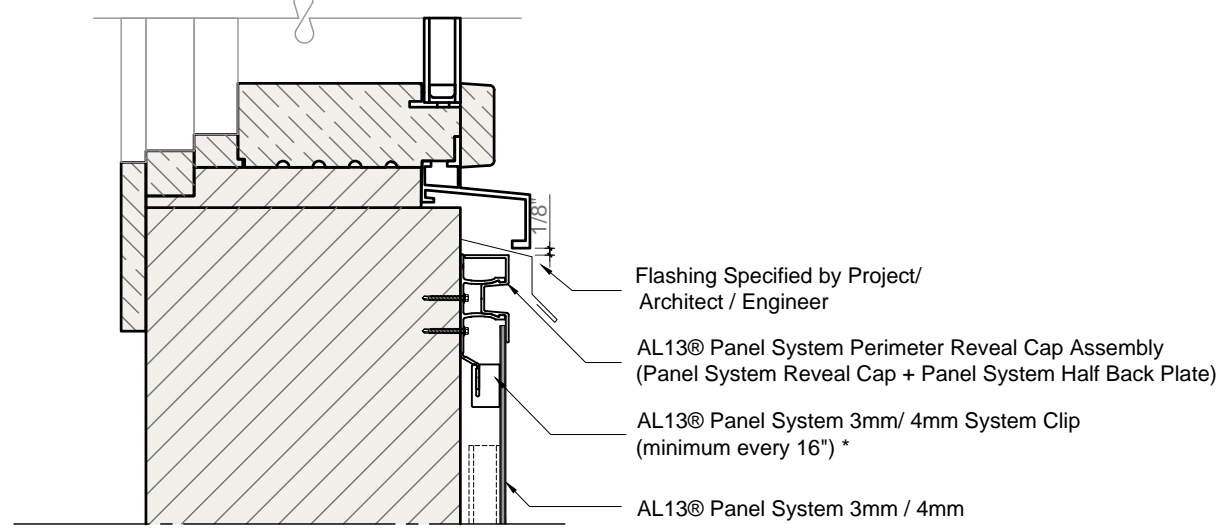
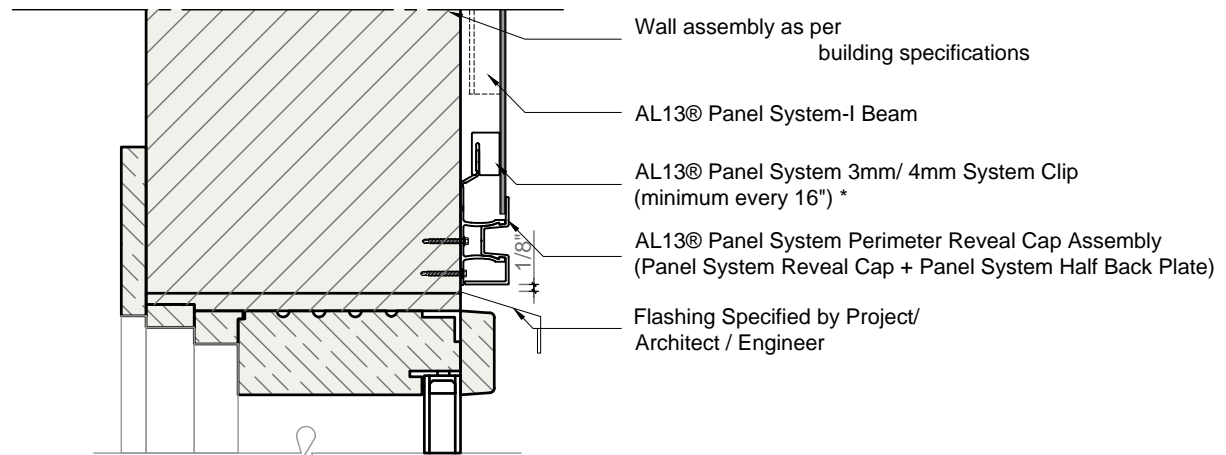
DESCRIPTION:
**GENERIC DETAIL
INSIDE CORNER
NOT 90°**

SCALE: --	DRAWING NUMBER: 07
DATE: 01 June 2019	





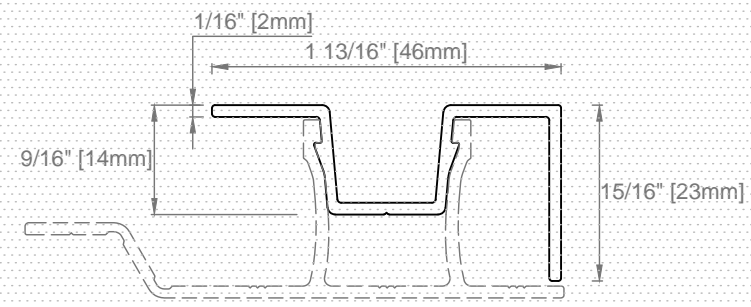
07 Around the window
Scale 4"=1'-0"



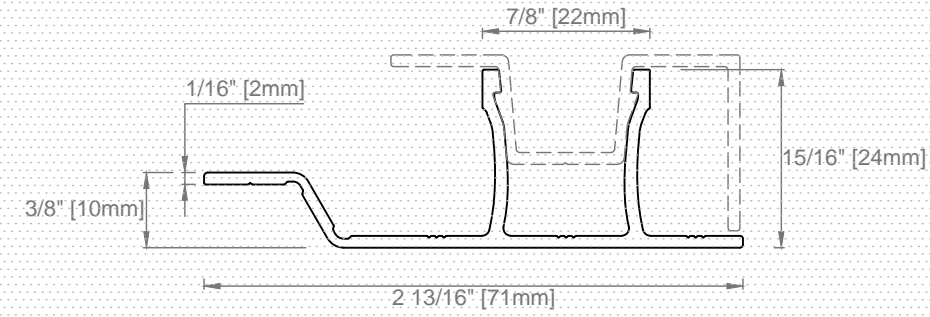
*Position system clips 6-8" away from corners and intersections. See installation manual for more information.

12a Around the window
Scale 4"=1'-0"

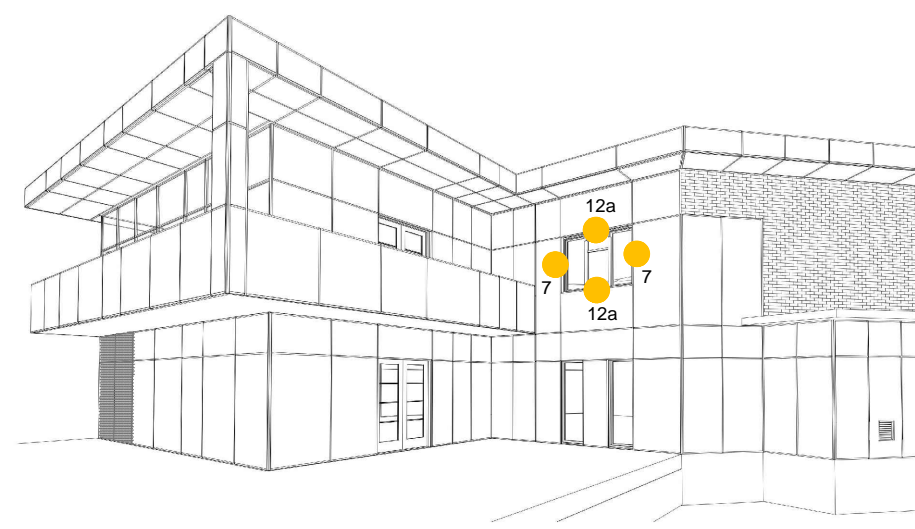
EXTRUSIONS USED IN THE EXAMPLE



PR-8 Panel System Perimeter Reveal Cap
Scale 1"=1'-0"



HB-8 Panel System Half Back Plate
Scale 1"=1'-0"



1278 Cliveden Avenue, V6M 6G4 Delta, BC - Canada

TEL. +1(604) 428-2513
MAIL info@al13.com
www.al13.com

NOTE:
Aluminum Association standard tolerances to apply unless otherwise stated.

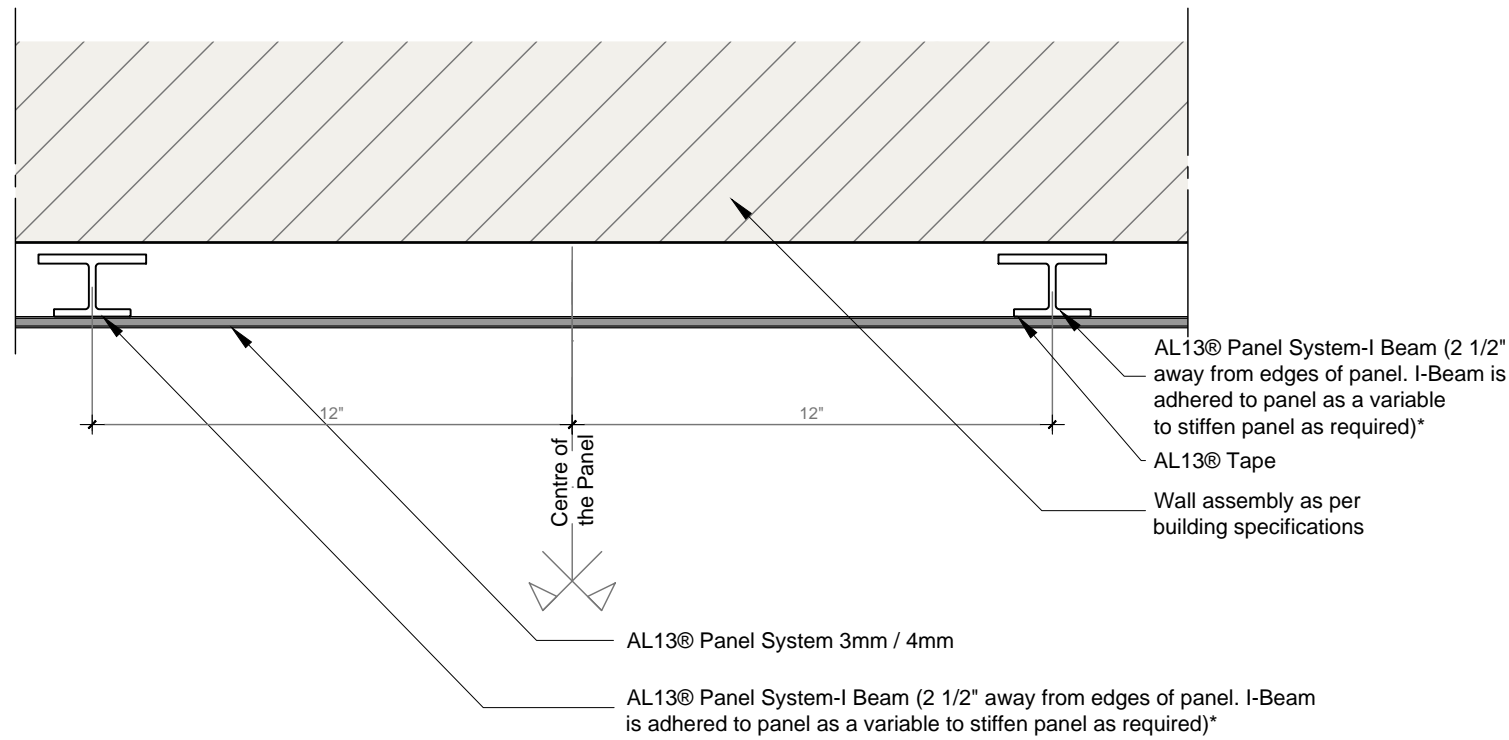
The contractor / builder must verify all dimensions on the job and report any discrepancy to the designer before proceeding with the work. All drawings and specifications are instruments of service and the copyright property of the designer and must be returned upon request.

AL13® System Details

Panel System
3mm / 4mm ACM
Panels

DESCRIPTION:
**GENERIC DETAIL
AROUND THE WINDOW**

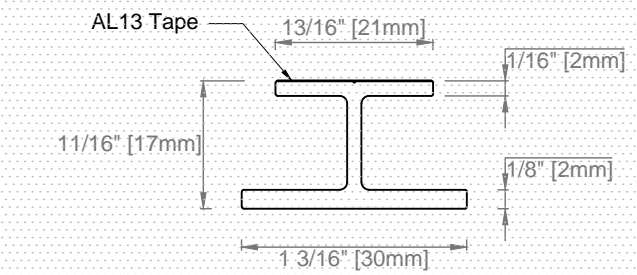
SCALE: --	DRAWING NUMBER: 08
DATE: 01 June 2019	



*See installation manual for more information.

8 Middle of the Panel
Scale 2"=1'-0"

EXTRUSIONS USED IN THE EXAMPLE



IB Panel System I-Beam
Scale 1"=1'-0"



1278 Cliveden Avenue, V6M 6G4 Delta, BC - Canada

TEL. +1(604) 428-2513
MAIL info@al13.com
www.al13.com

NOTE:
Aluminum Association standard tolerances to apply unless otherwise stated.

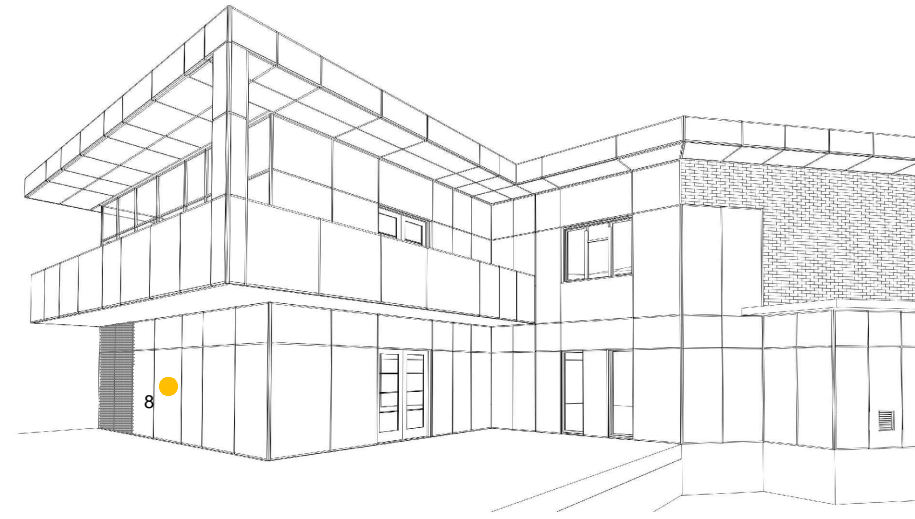
The contractor / builder must verify all dimensions on the job and report any discrepancy to the designer before proceeding with the work. All drawings and specifications are instruments of service and the copyright property of the designer and must be returned upon request.

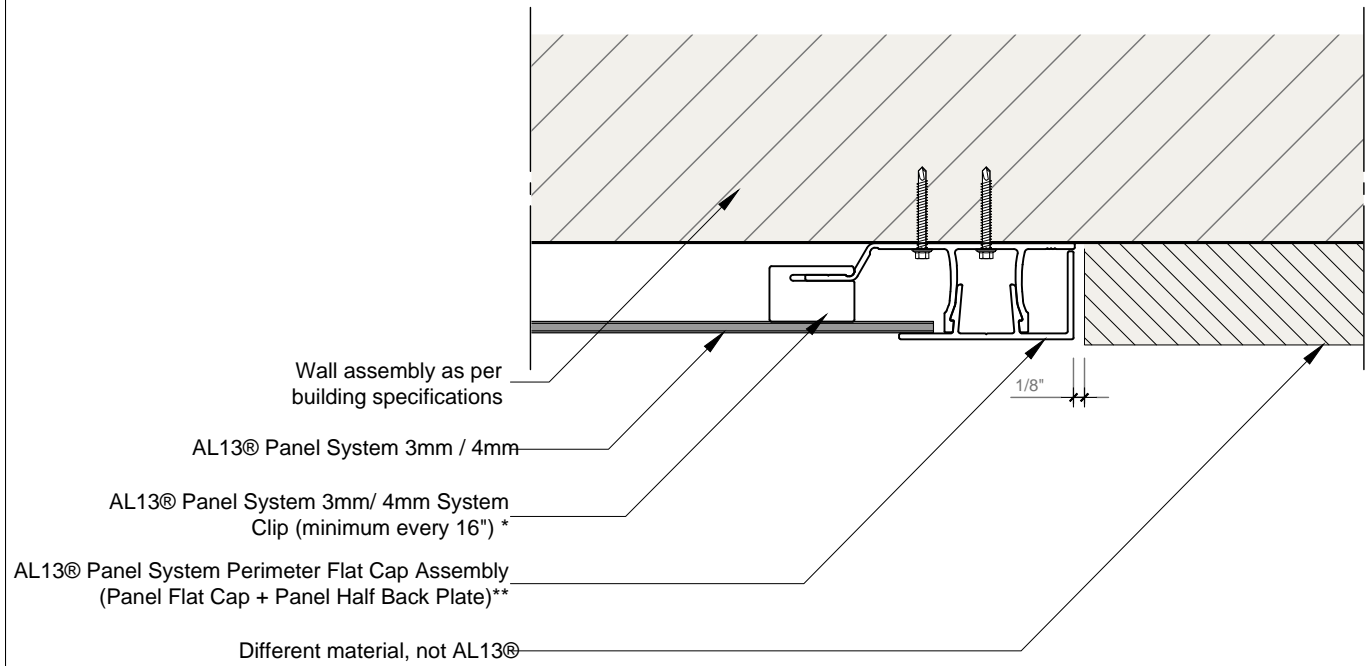
AL13® System Details

Panel System
3mm / 4mm ACM
Panels

DESCRIPTION:
**GENERIC DETAIL
MIDDLE OF THE
PANEL**

SCALE: --	DRAWING NUMBER: 09
DATE: 01 June 2019	

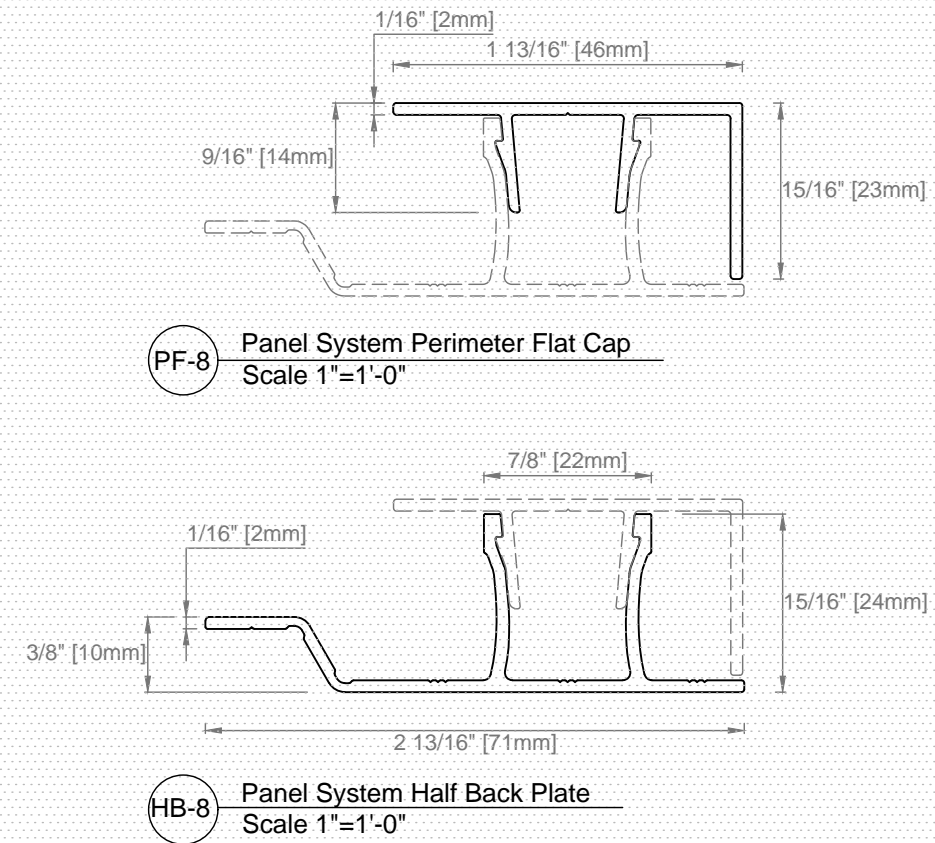




*Position system clips 6-8" away from corners and intersections.
 **Minimum 1/8" gap to allow proper contraction and expansion of the extrusion.
 See installation manual for more information.

9 End of the wall - Horizontal Transition
 Scale 2"=1'-0"

EXTRUSIONS USED IN THE EXAMPLE



PF-8 Panel System Perimeter Flat Cap
 Scale 1"=1'-0"

HB-8 Panel System Half Back Plate
 Scale 1"=1'-0"



1278 Cliveden Avenue, V6M 6G4 Delta, BC - Canada

TEL. +1(604) 428-2513
 MAIL info@al13.com
 www.al13.com

NOTE:
 Aluminum Association standard tolerances to apply unless otherwise stated.

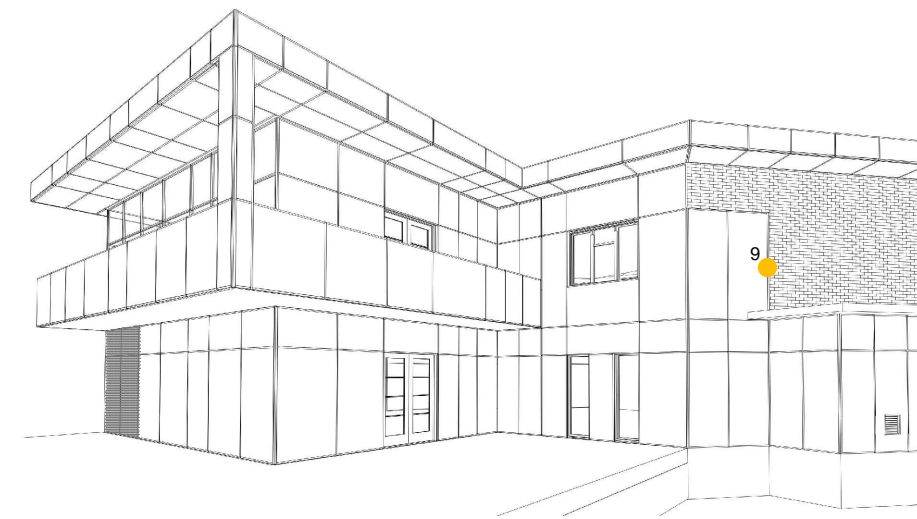
The contractor / builder must verify all dimensions on the job and report any discrepancy to the designer before proceeding with the work. All drawings and specifications are instruments of service and the copyright property of the designer and must be returned upon request.

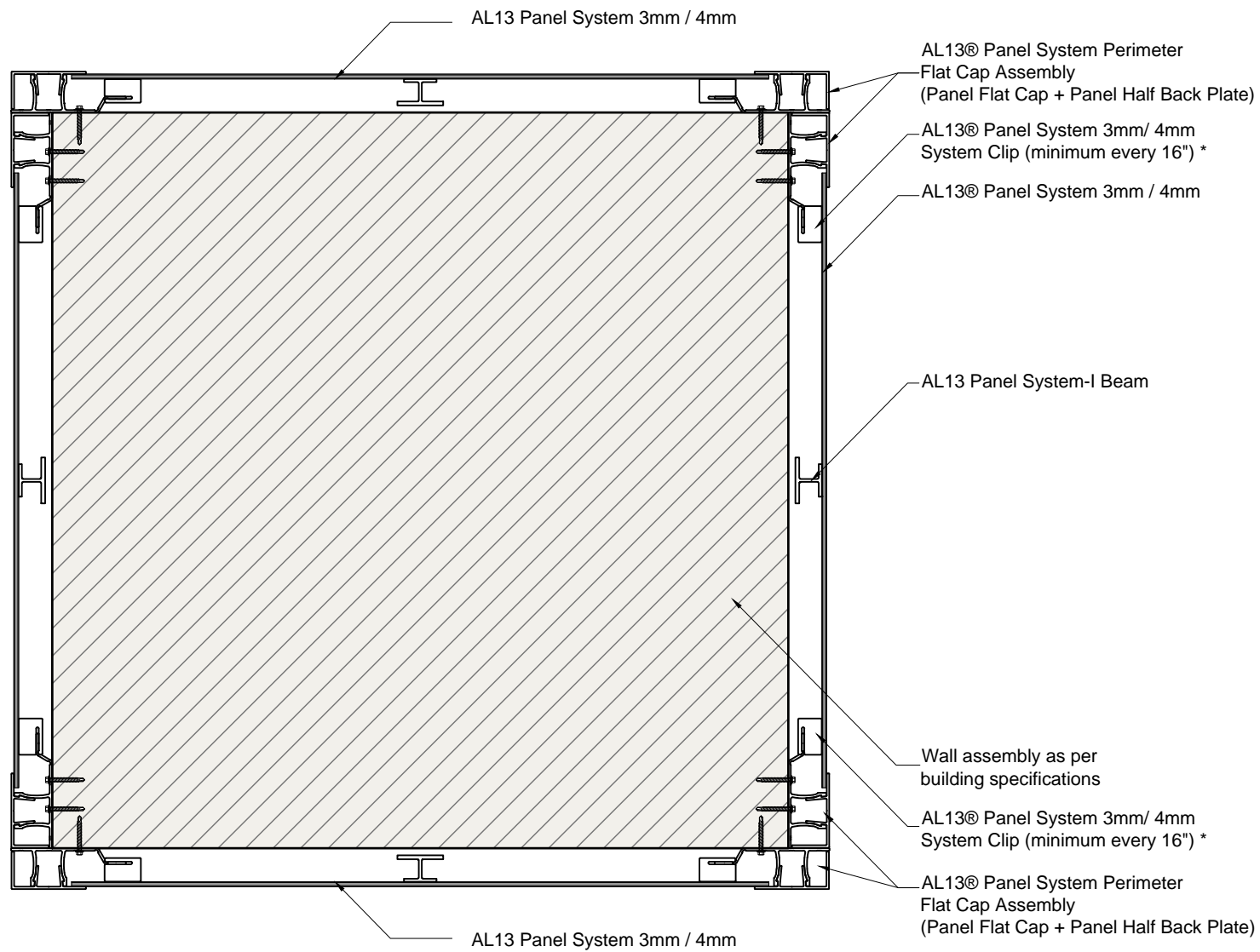
AL13® System Details

Panel System
 3mm / 4mm ACM
 Panels

DESCRIPTION:
GENERIC DETAIL
END OF THE WALL -
HORIZONTAL
TRANSITION

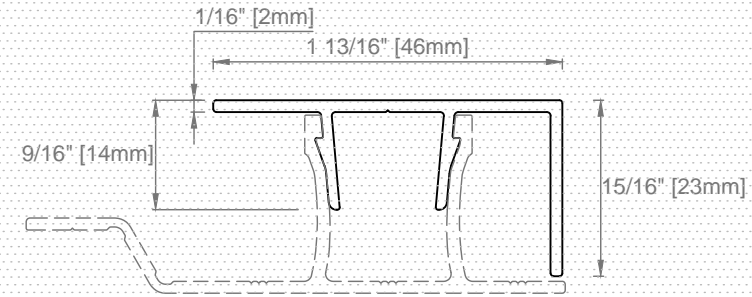
SCALE: --	DRAWING NUMBER: 10
DATE: 01 June 2019	



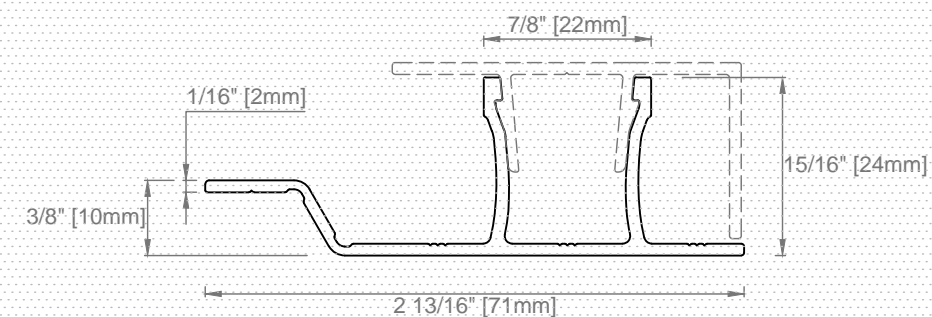


10 Column
Scale 4"=1'-0"

EXTRUSIONS USED IN THE EXAMPLE



PF-8 Panel System Perimeter Flat Cap
Scale 1"=1'-0"



HB-8 Panel System Half Back Plate
Scale 1"=1'-0"



1278 Cliveden Avenue, V6M 6G4 Delta, BC - Canada

TEL. +1(604) 428-2513
MAIL info@al13.com
www.al13.com

NOTE:
Aluminum Association standard tolerances to apply unless otherwise stated.

The contractor / builder must verify all dimensions on the job and report any discrepancy to the designer before proceeding with the work. All drawings and specifications are instruments of service and the copyright property of the designer and must be returned upon request.

AL13® System Details

Panel System
3mm / 4mm ACM
Panels

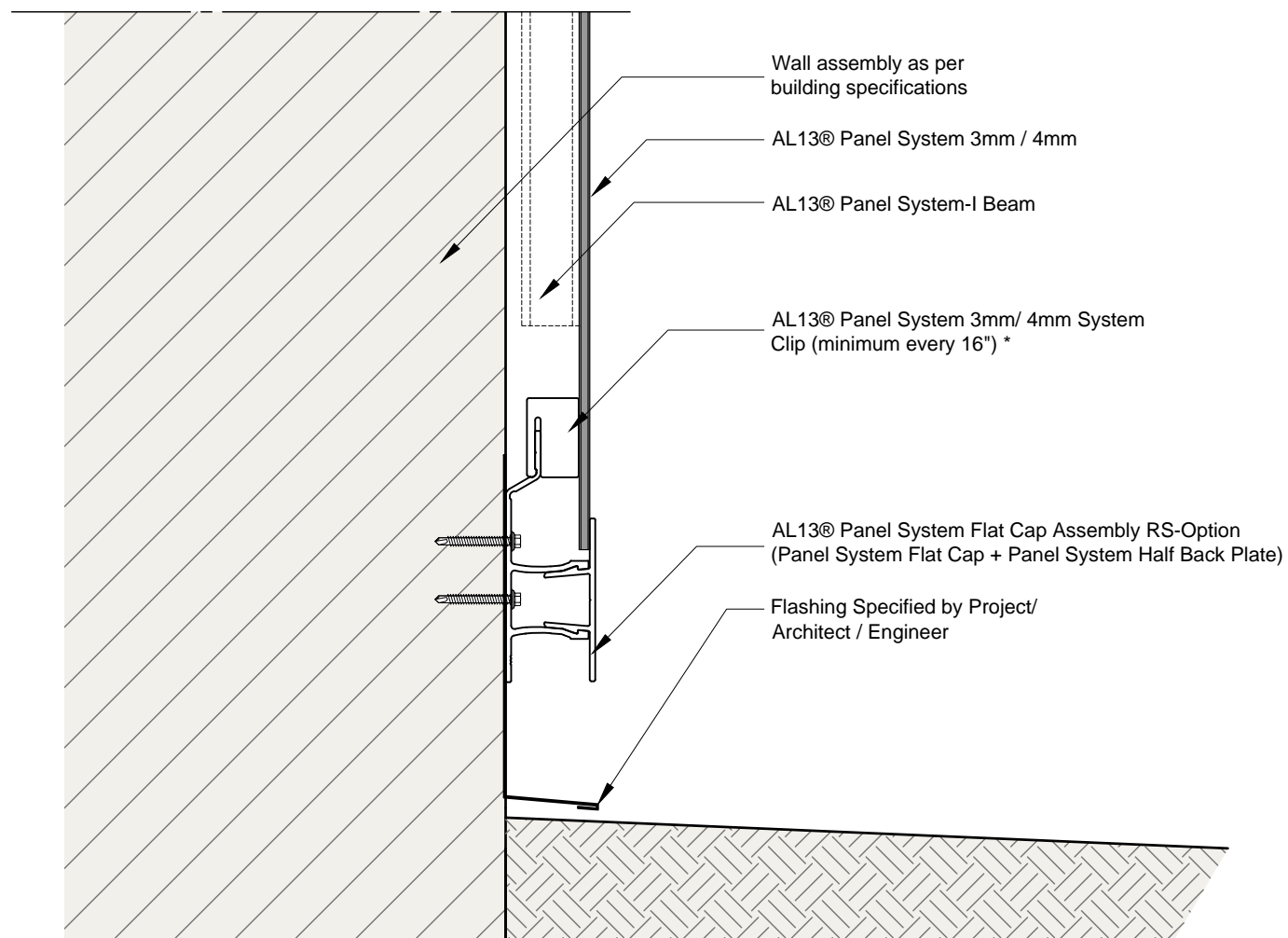
DESCRIPTION:
**GENERIC DETAIL
COLUMN**

SCALE:
--

DRAWING NUMBER:

DATE:
01 June 2019

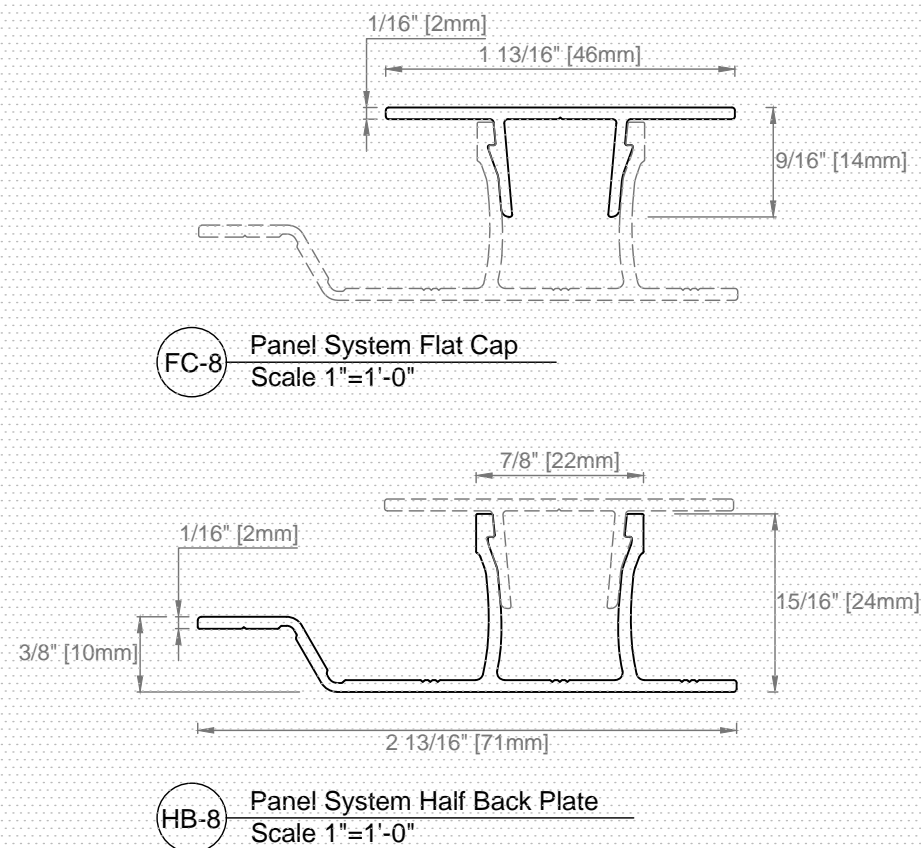
11



*Position system clips 6-8" away from corners and intersections. See installation manual for more information.

11a Bottom of the wall (Option A)
Scale 2"=1'-0"

EXTRUSIONS USED IN THE EXAMPLE



FC-8 Panel System Flat Cap
Scale 1"=1'-0"

HB-8 Panel System Half Back Plate
Scale 1"=1'-0"



1278 Cliveden Avenue, V6M 6G4 Delta, BC - Canada

TEL. +1(604) 428-2513
MAIL info@al13.com
www.al13.com

NOTE:
Aluminum Association standard tolerances to apply unless otherwise stated.

The contractor / builder must verify all dimensions on the job and report any discrepancy to the designer before proceeding with the work. All drawings and specifications are instruments of service and the copyright property of the designer and must be returned upon request.

AL13® System Details

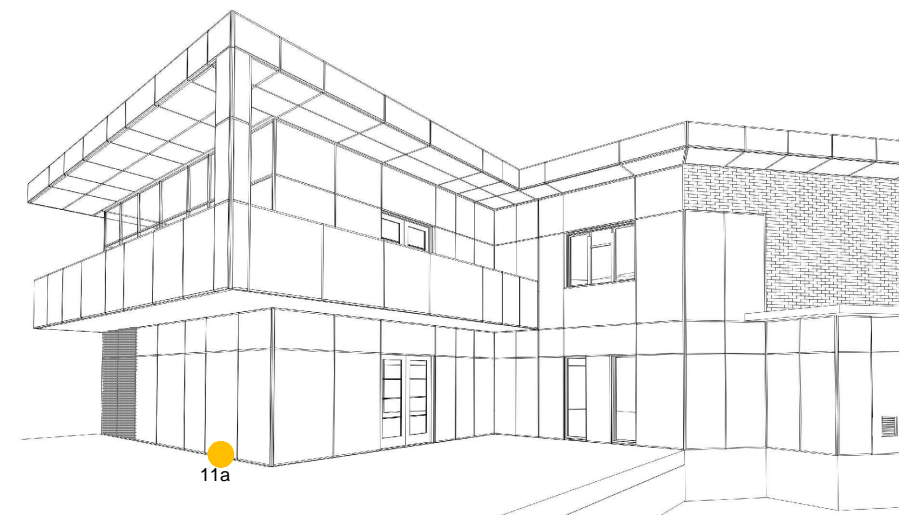
Panel System
3mm / 4mm ACM
Panels

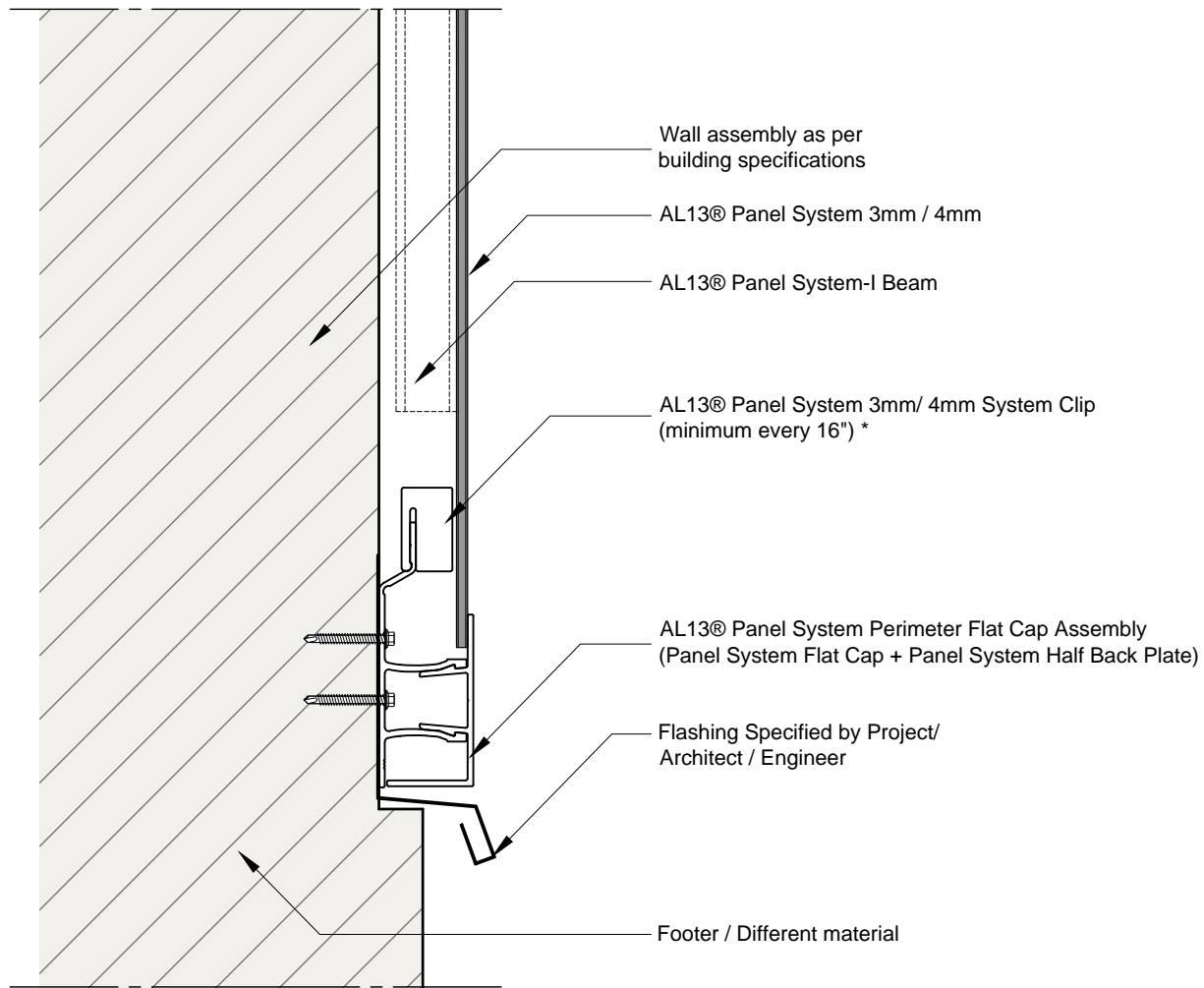
DESCRIPTION:
GENERIC DETAIL
BOTTOM OF THE WALL
OPTION A

SCALE:
-- DRAWING NUMBER:

DATE:
01 June 2019

12

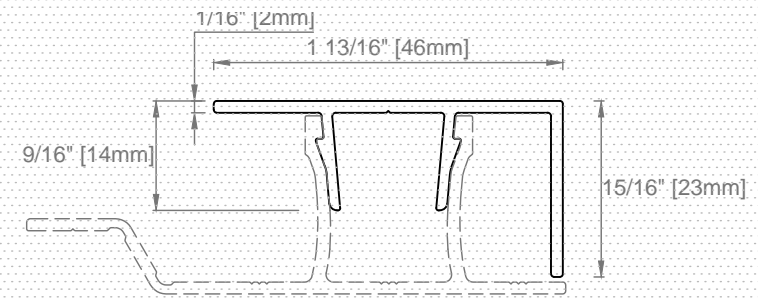




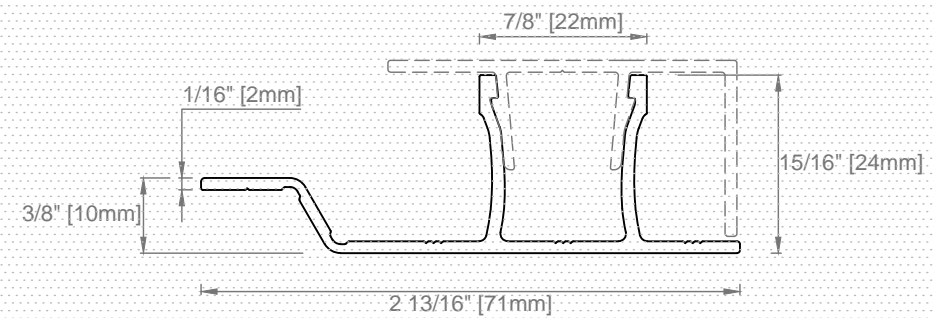
*Position system clips 6-8" away from corners and intersections. See installation manual for more information.

11b Bottom of the wall (Option B)
Scale 2"=1'-0"

EXTRUSIONS USED IN THE EXAMPLE



PF-8 Panel System Perimeter Flat Cap
Scale 1"=1'-0"



HB-8 Panel System Half Back Plate
Scale 1"=1'-0"



1278 Cliveden Avenue, V6M 6G4 Delta, BC - Canada

TEL. +1(604) 428-2513
MAIL info@al13.com
www.al13.com

NOTE:
Aluminum Association standard tolerances to apply unless otherwise stated.

The contractor / builder must verify all dimensions on the job and report any discrepancy to the designer before proceeding with the work. All drawings and specifications are instruments of service and the copyright property of the designer and must be returned upon request.

AL13® System Details

Panel System
3mm / 4mm ACM
Panels

DESCRIPTION:
**GENERIC DETAIL
BOTTOM OF THE WALL
OPTION B**

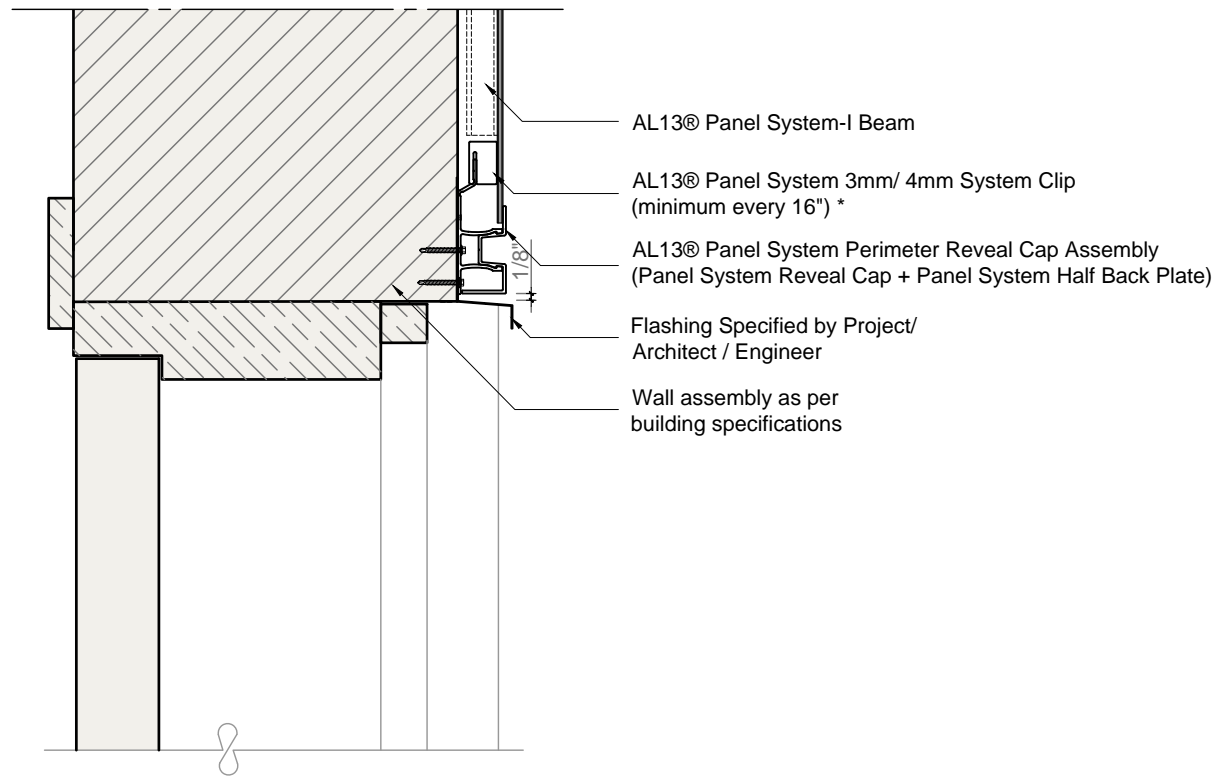
SCALE:
--

DRAWING
NUMBER:

DATE:
01 June 2019

13

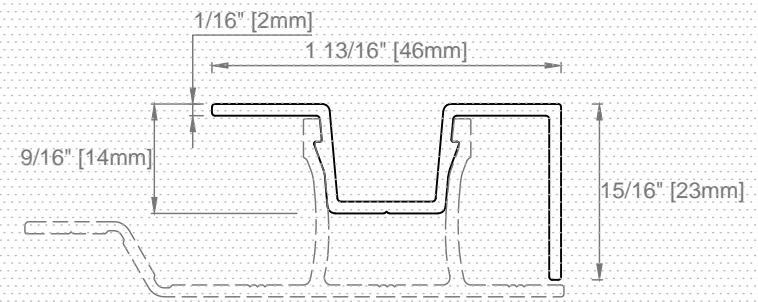




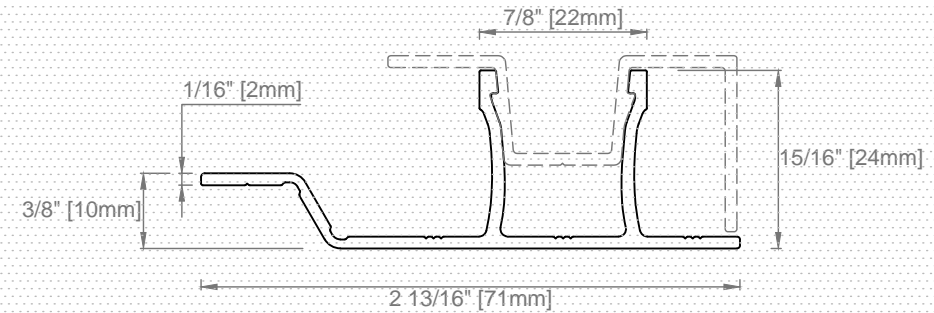
*Position system clips 6-8" away from corners and intersections.
See installation manual for more information.

12b Top of the Door
Scale 4"=1'-0"

EXTRUSIONS USED IN THE EXAMPLE



PR-8 Panel System Perimeter Reveal Cap
Scale 1"=1'-0"



HB-8 Panel System Half Back Plate
Scale 1"=1'-0"



1278 Cliveden Avenue, V6M
6G4 Delta, BC - Canada

TEL. +1(604) 428-2513
MAIL info@al13.com
www.al13.com

NOTE:
Aluminum Association standard
tolerances to apply unless
otherwise stated.

The contractor / builder must
verify all dimensions on the job
and report any discrepancy to
the designer before proceeding
with the work. All drawings and
specifications are instruments of
service and the copyright
property of the designer and
must be returned upon request.

**AL13® System
Details**

Panel System
3mm / 4mm ACM
Panels

DESCRIPTION:
**GENERIC DETAIL
TOP OF THE DOOR**

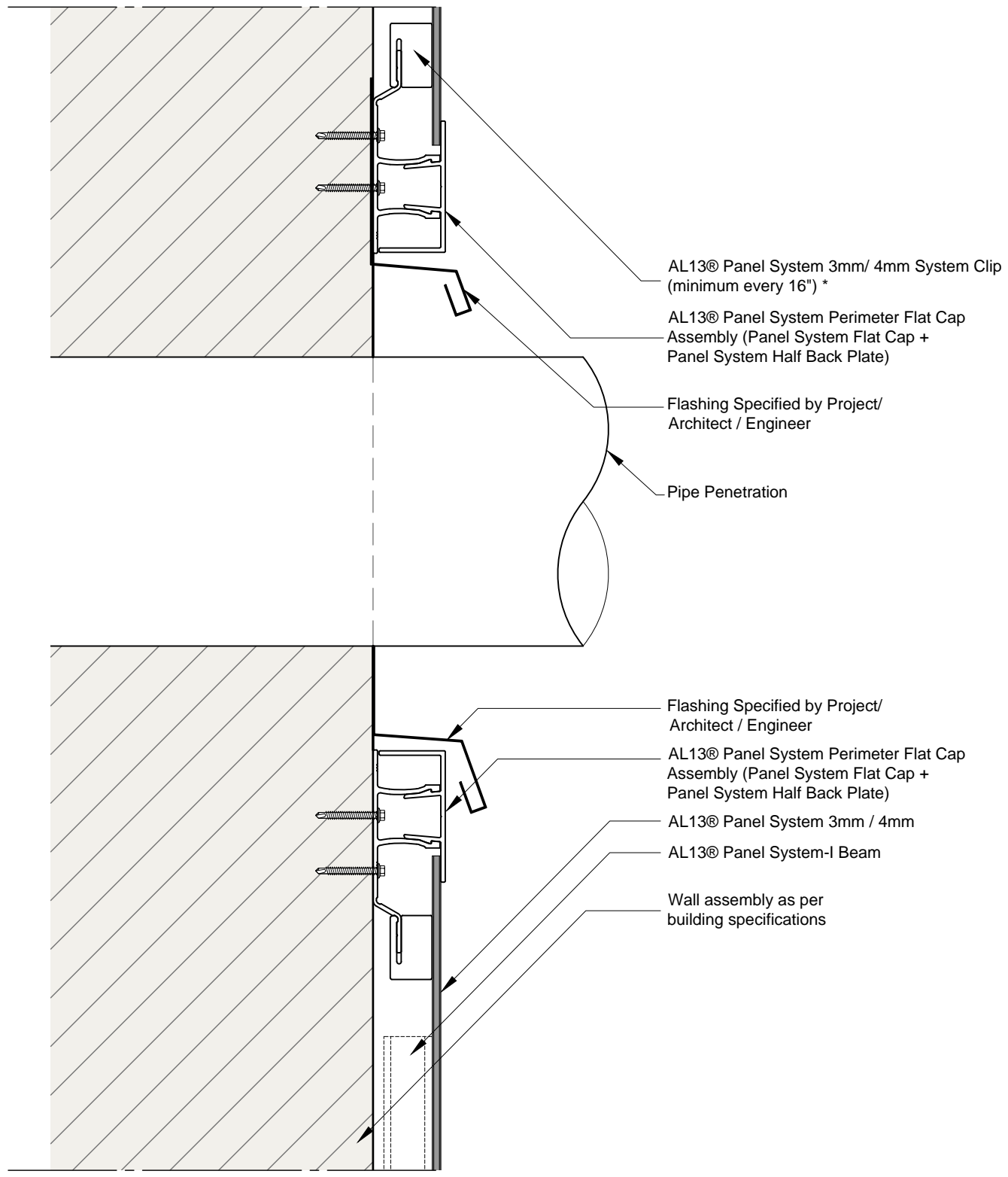
SCALE:
--

DRAWING
NUMBER:

DATE:
01 June 2019

14

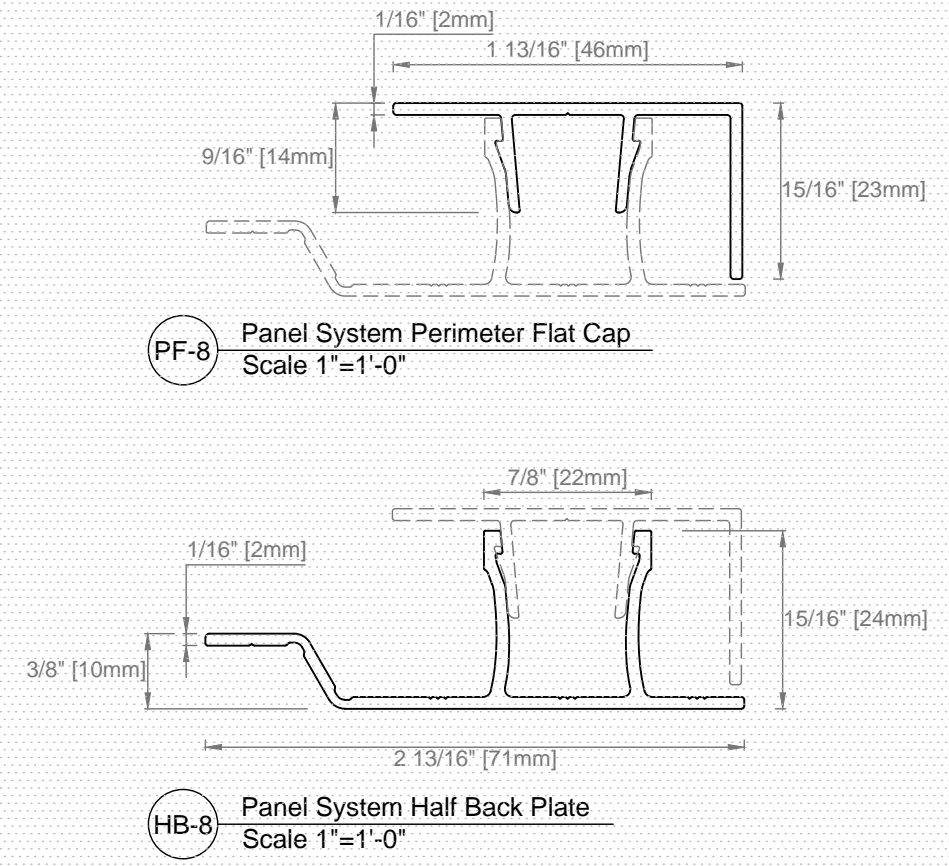




*Position system clips 6-8" away from corners and intersections. See installation manual for more information.

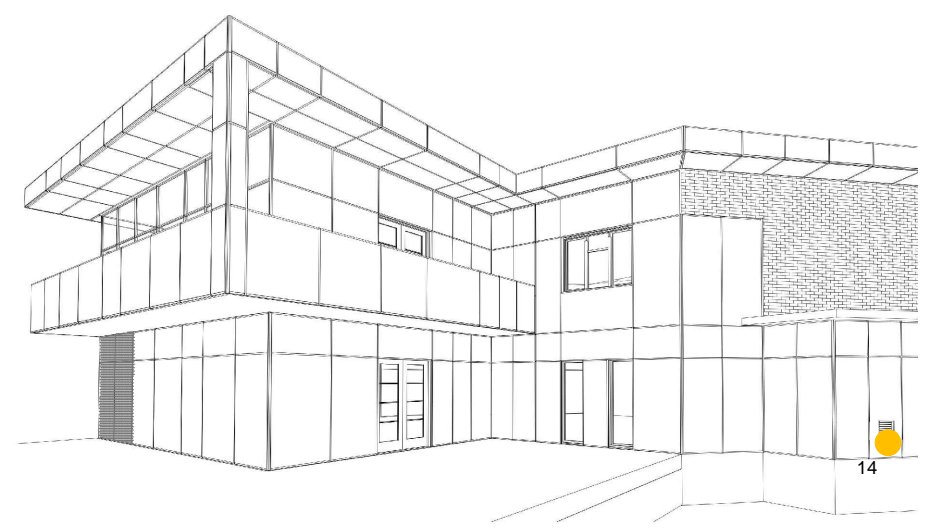
14 Around a Circular Opening
Scale 2"=1'-0"

EXTRUSIONS USED IN THE EXAMPLE



PF-8 Panel System Perimeter Flat Cap
Scale 1"=1'-0"

HB-8 Panel System Half Back Plate
Scale 1"=1'-0"



1278 Cliveden Avenue, V6M 6G4 Delta, BC - Canada
TEL. +1(604) 428-2513
MAIL info@al13.com
www.al13.com

NOTE:
Aluminum Association standard tolerances to apply unless otherwise stated.

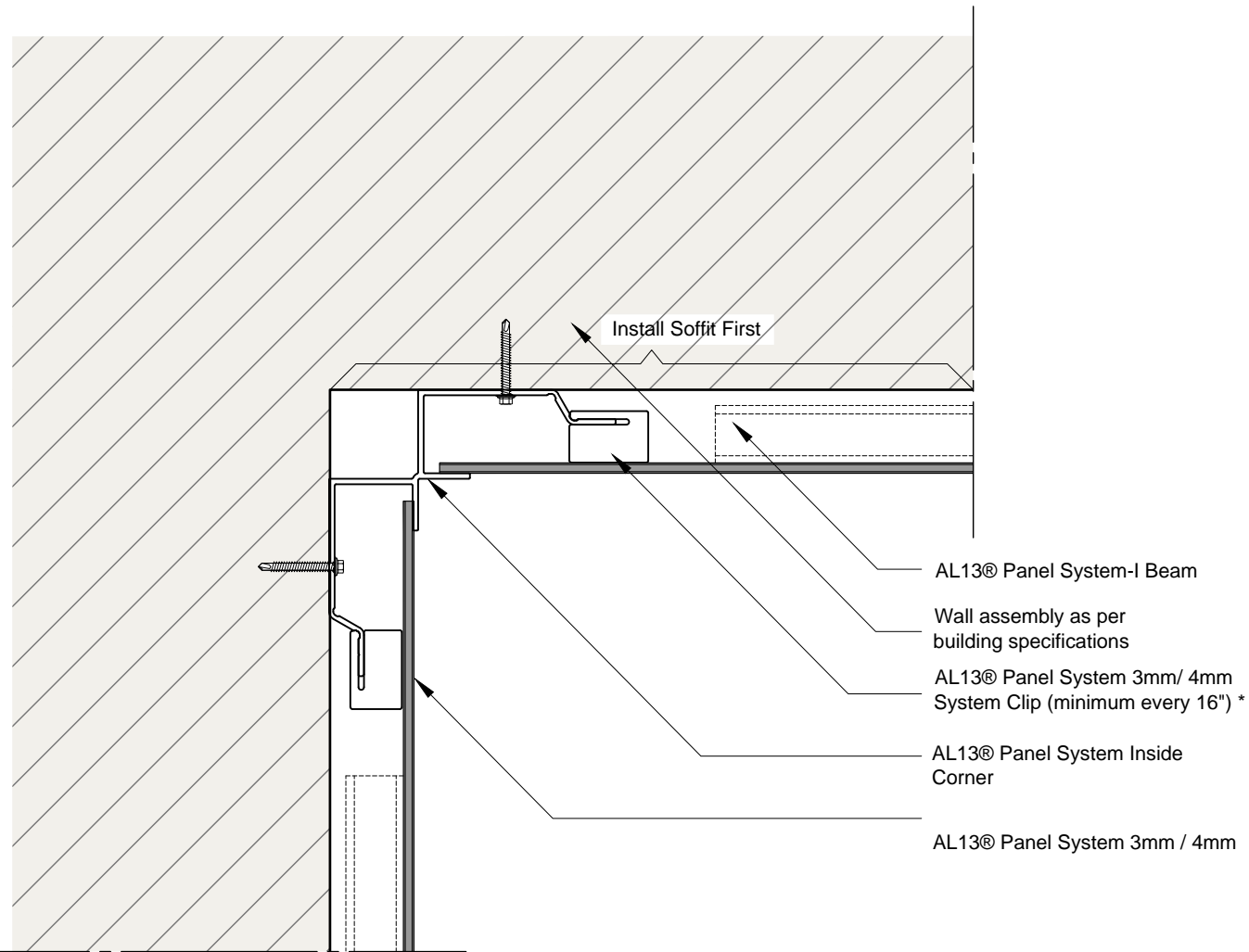
The contractor / builder must verify all dimensions on the job and report any discrepancy to the designer before proceeding with the work. All drawings and specifications are instruments of service and the copyright property of the designer and must be returned upon request.

AL13® System Details

Panel System
3mm / 4mm ACM
Panels

DESCRIPTION:
**GENERIC DETAIL
AROUND A CIRCULAR
OPENING**

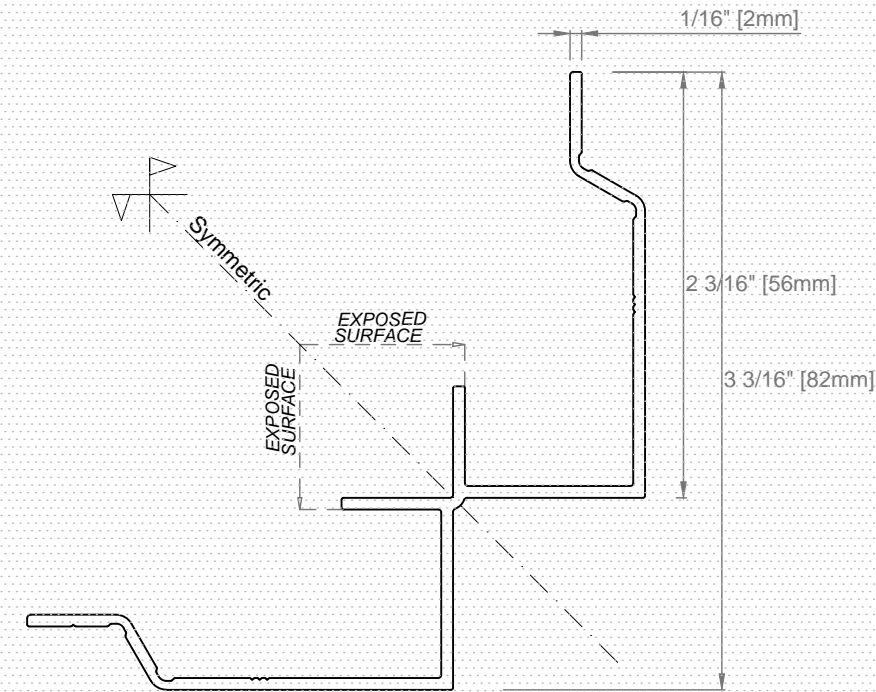
SCALE: --	DRAWING NUMBER: 15
DATE: 01 June 2019	



*Position system clips 6-8" away from corners and intersections. See installation manual for more information.

15a Wall and Soffit Connection (Option A)
Scale 2"=1'-0"

EXTRUSIONS USED IN THE EXAMPLE



IC-8 Panel System Inside Corner
Scale 1"=1'-0"



1278 Cliveden Avenue, V6M 6G4 Delta, BC - Canada

TEL. +1(604) 428-2513
MAIL info@al13.com
www.al13.com

NOTE:
Aluminum Association standard tolerances to apply unless otherwise stated.

The contractor / builder must verify all dimensions on the job and report any discrepancy to the designer before proceeding with the work. All drawings and specifications are instruments of service and the copyright property of the designer and must be returned upon request.

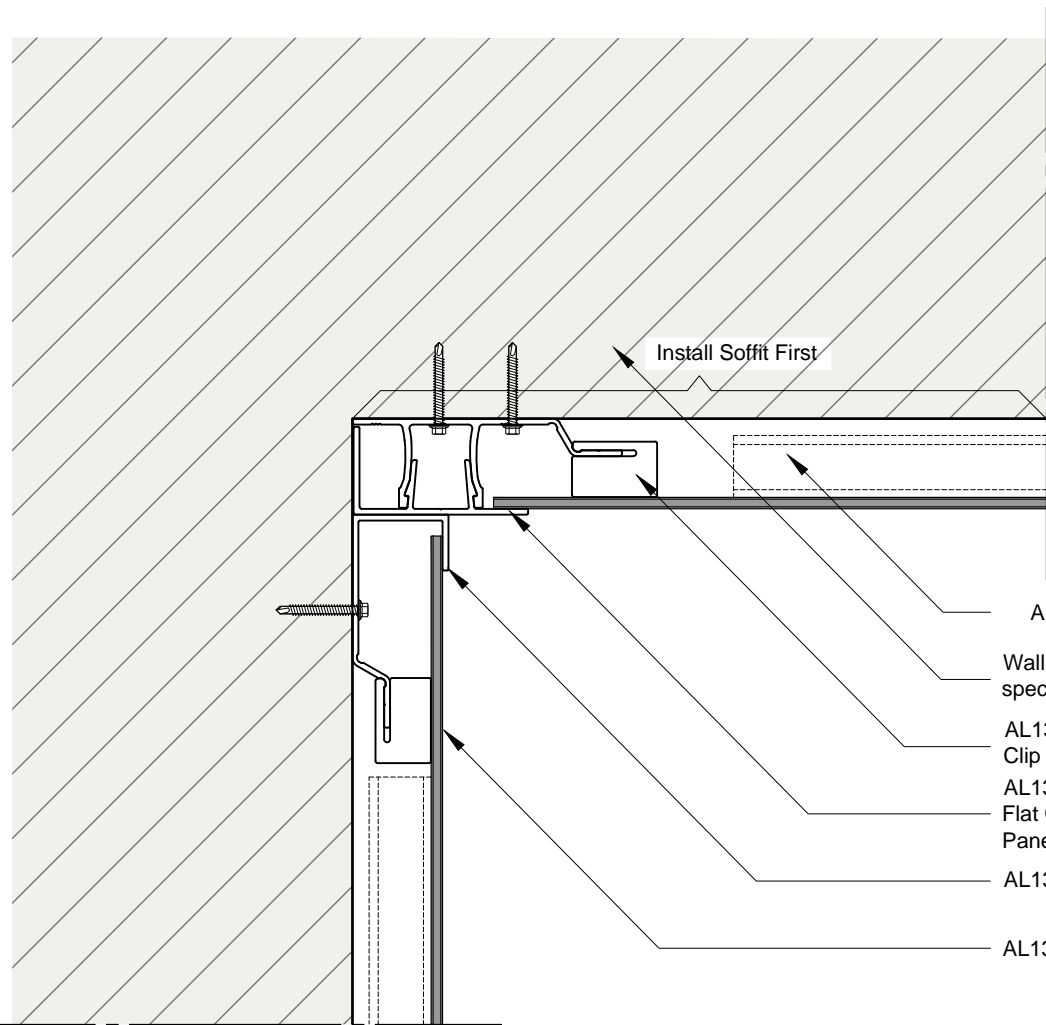
AL13® System Details

Panel System
3mm / 4mm ACM
Panels

DESCRIPTION:
**GENERIC DETAIL
WALL AND SOFFIT
CONNECTION
OPTION A**

SCALE: -- DRAWING NUMBER:

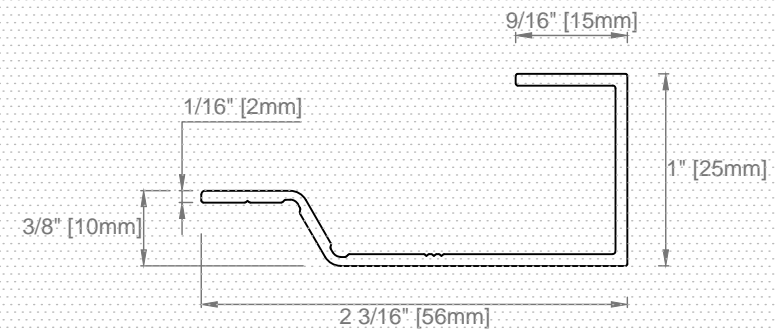
DATE: 01 June 2019 **16**



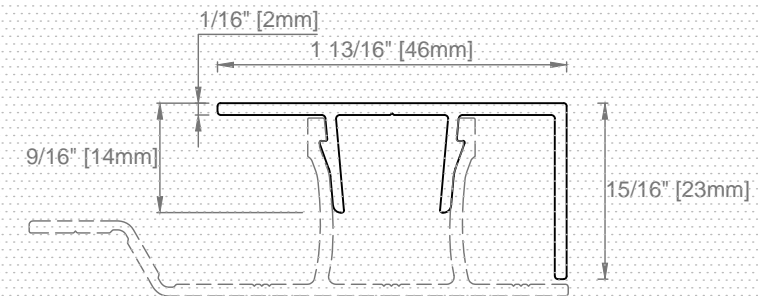
*Position system clips 6-8" away from corners and intersections. See installation manual for more information.

15b Wall and Soffit Connection (Option B)
Scale 2"=1'-0"

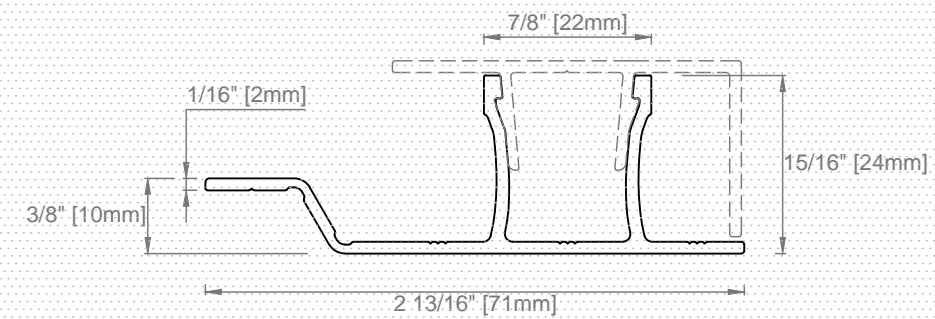
EXTRUSIONS USED IN THE EXAMPLE



EF-8 Panel System End Frame
Scale 1"=1'-0"



PF-8 Panel System Perimeter Flat Cap
Scale 1"=1'-0"



HB-8 Panel System Half Back Plate
Scale 1"=1'-0"



NOTE:
Aluminum Association standard tolerances to apply unless otherwise stated.

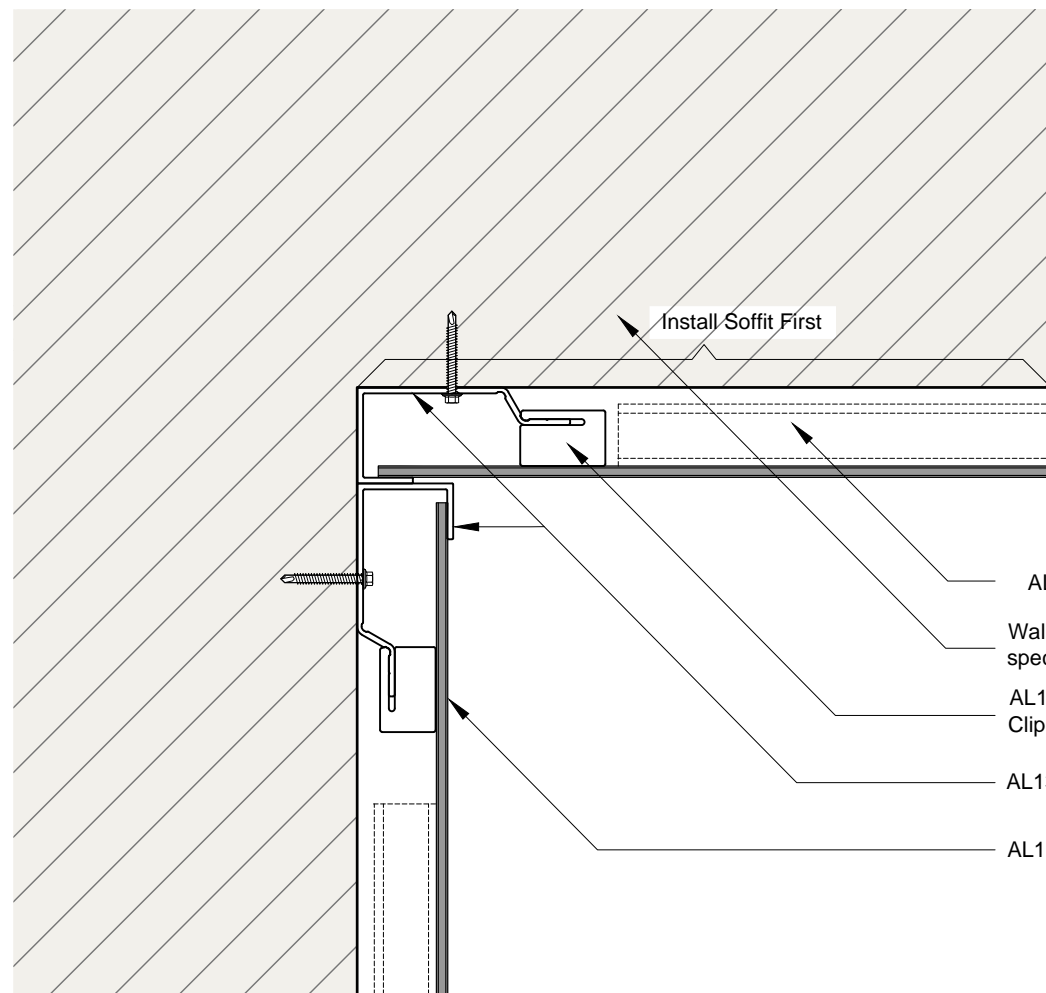
The contractor / builder must verify all dimensions on the job and report any discrepancy to the designer before proceeding with the work. All drawings and specifications are instruments of service and the copyright property of the designer and must be returned upon request.

AL13® System Details

Panel System
3mm / 4mm ACM
Panels

DESCRIPTION:
**GENERIC DETAIL
WALL AND SOFFIT
CONNECTION
OPTION B**

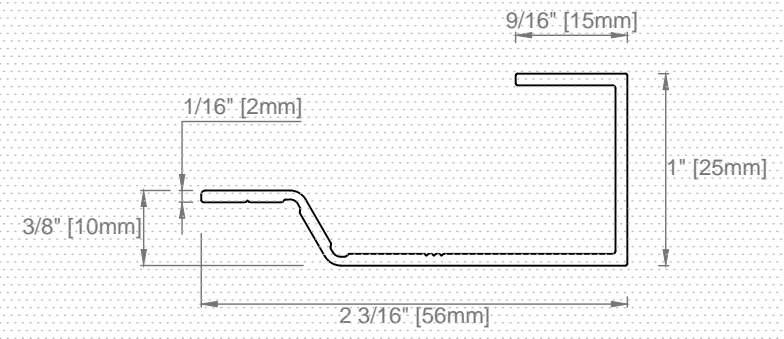
SCALE: --	DRAWING NUMBER:
DATE: 01 June 2019	17



*Position system clips 6-8" away from corners and intersections.
See installation manual for more information.

15b Wall and Soffit Connection (Option C)
Scale 2"=1'-0"

EXTRUSIONS USED IN THE EXAMPLE



EF-8 Panel System End Frame
Scale 1"=1'-0"



1278 Cliveden Avenue, V6M 6G4 Delta, BC - Canada

TEL. +1(604) 428-2513
MAIL info@al13.com
www.al13.com

NOTE:
Aluminum Association standard tolerances to apply unless otherwise stated.

The contractor / builder must verify all dimensions on the job and report any discrepancy to the designer before proceeding with the work. All drawings and specifications are instruments of service and the copyright property of the designer and must be returned upon request.

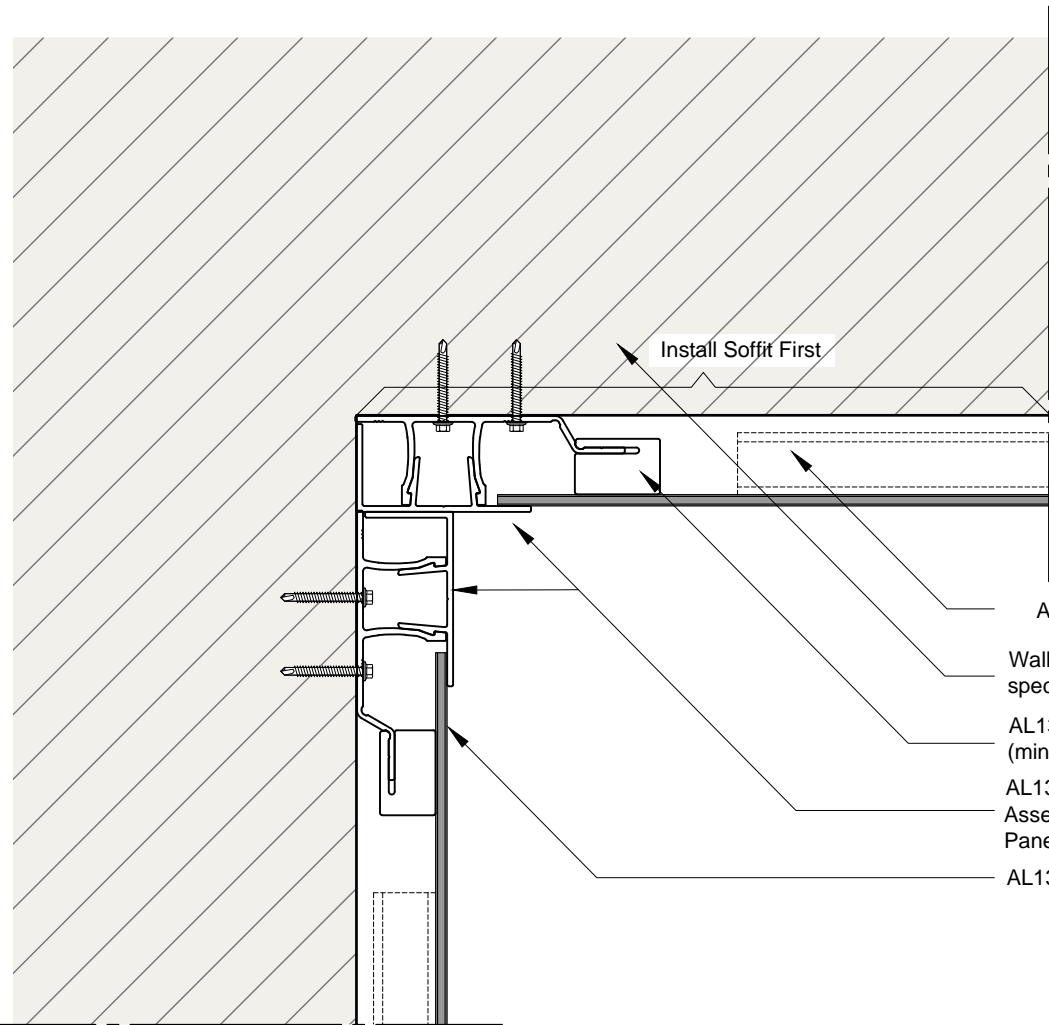
AL13® System Details

Panel System
3mm / 4mm ACM
Panels

DESCRIPTION:
**GENERIC DETAIL
WALL AND SOFFIT
CONNECTION
OPTION C**

SCALE: --	DRAWING NUMBER: 18
DATE: 01 June 2019	



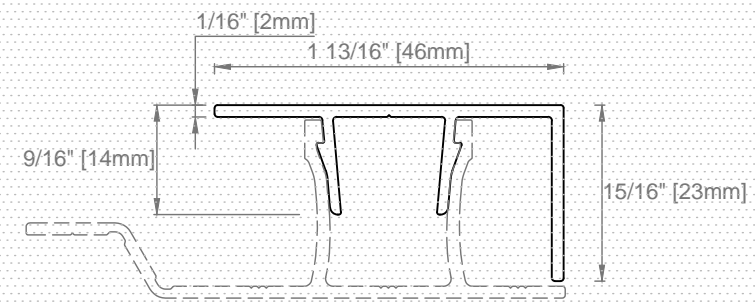


- AL13® Panel System-I Beam
- Wall assembly as per building specifications
- AL13® Panel System 3mm/ 4mm System Clip (minimum every 16") *
- AL13® Panel System Perimeter Flat Cap Assembly (Panel System Flat Cap + Panel System Half Back Plate)
- AL13® Panel System 3mm / 4mm

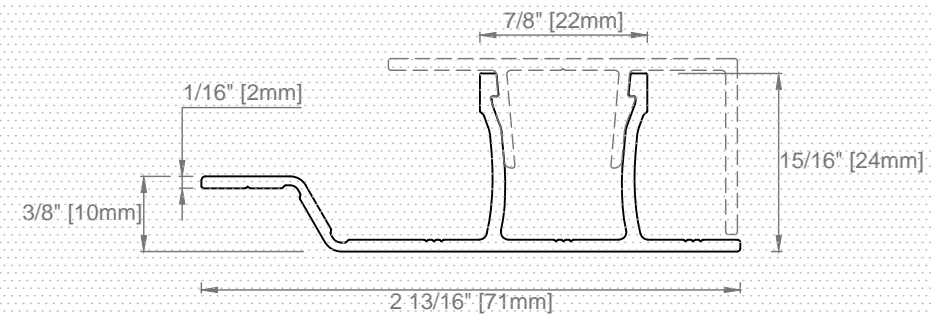
*Position system clips 6-8" away from corners and intersections. See installation manual for more information.

15d Wall and Soffit Connection (Option D)
Scale 2"=1'-0"

EXTRUSIONS USED IN THE EXAMPLE



PF-8 Panel System Perimeter Flat Cap
Scale 1"=1'-0"



HB-8 Panel System Half Back Plate
Scale 1"=1'-0"



1278 Cliveden Avenue, V6M 6G4 Delta, BC - Canada

TEL. +1(604) 428-2513
MAIL info@al13.com
www.al13.com

NOTE:
Aluminum Association standard tolerances to apply unless otherwise stated.

The contractor / builder must verify all dimensions on the job and report any discrepancy to the designer before proceeding with the work. All drawings and specifications are instruments of service and the copyright property of the designer and must be returned upon request.

AL13® System Details

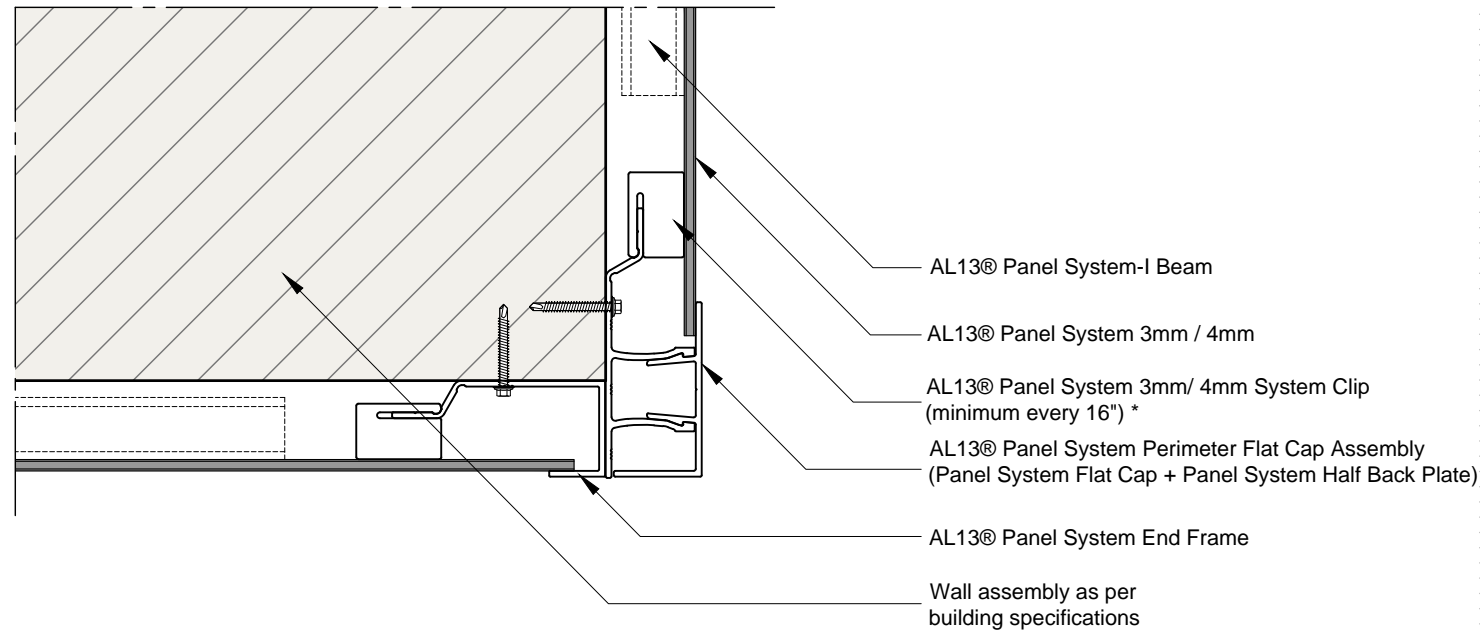
Panel System
3mm / 4mm ACM
Panels

DESCRIPTION:
**GENERIC DETAIL
WALL AND SOFFIT
CONNECTION
OPTION D**

SCALE: -- DRAWING NUMBER: --

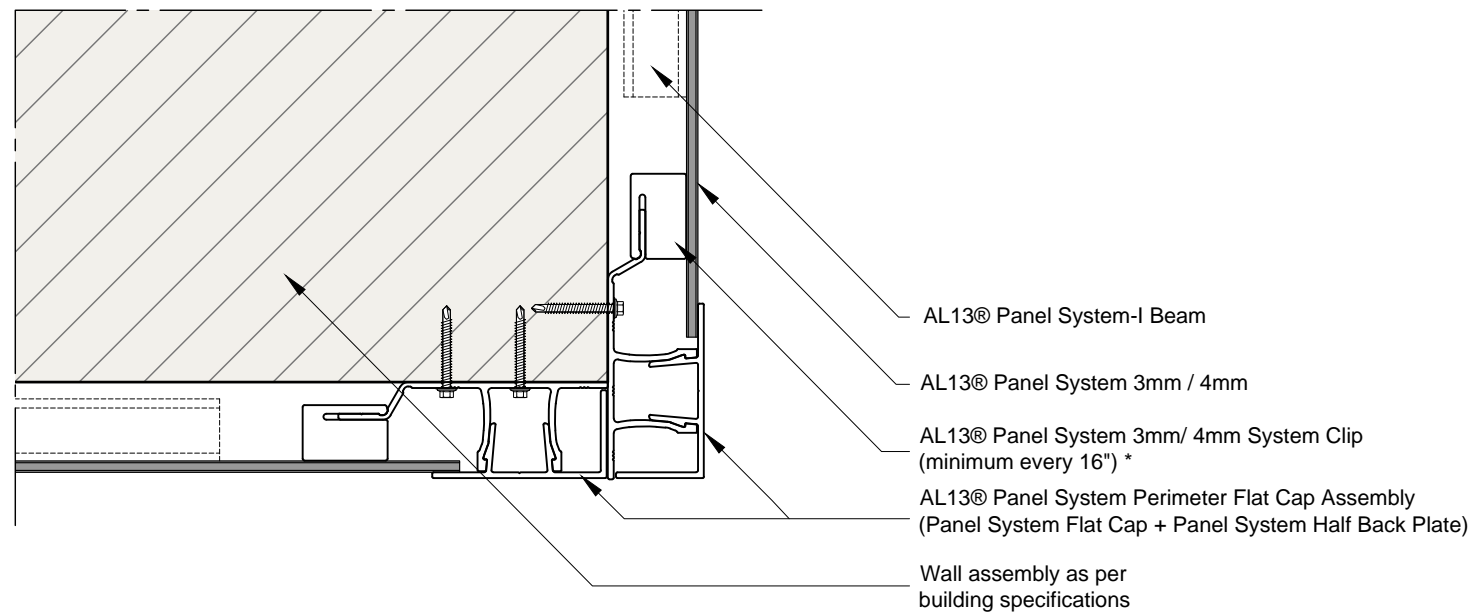
DATE: 01 June 2019 **19**





*Position system clips 6-8" away from corners and intersections. See installation manual for more information.

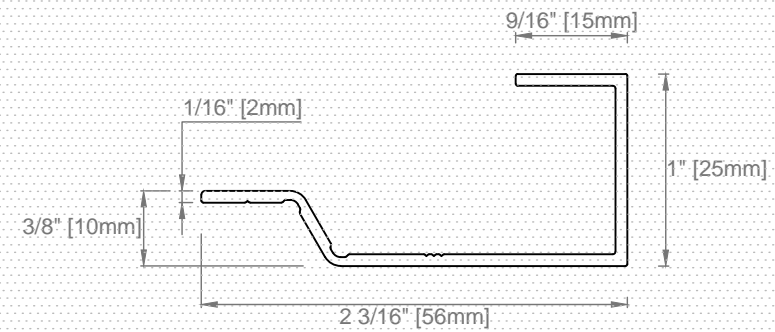
16a Fascia and Soffit Connection (Option A)
Scale 2"=1'-0"



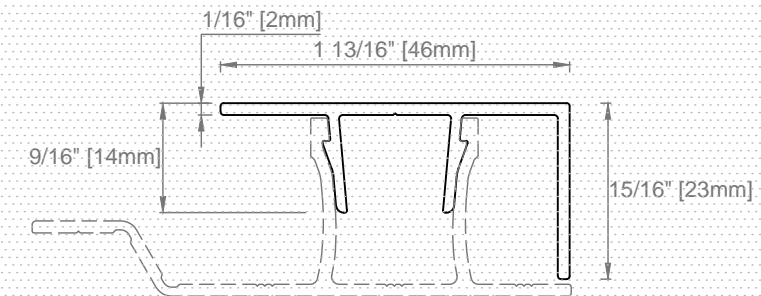
*Position system clips 6-8" away from corners and intersections. See installation manual for more information.

16b Fascia and Soffit Connection (Option B)
Scale 2"=1'-0"

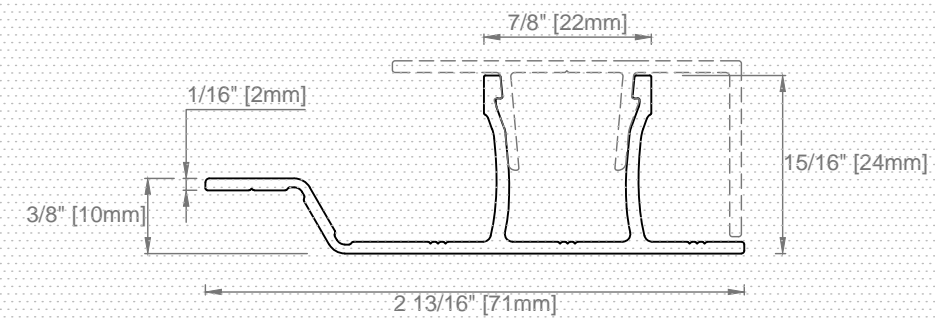
EXTRUSIONS USED IN THE EXAMPLE



EF-8 Panel System End Frame
Scale 1"=1'-0"



PF-8 Panel System Perimeter Flat Cap
Scale 1"=1'-0"



HB-8 Panel System Half Back Plate
Scale 1"=1'-0"



NOTE:
Aluminum Association standard tolerances to apply unless otherwise stated.

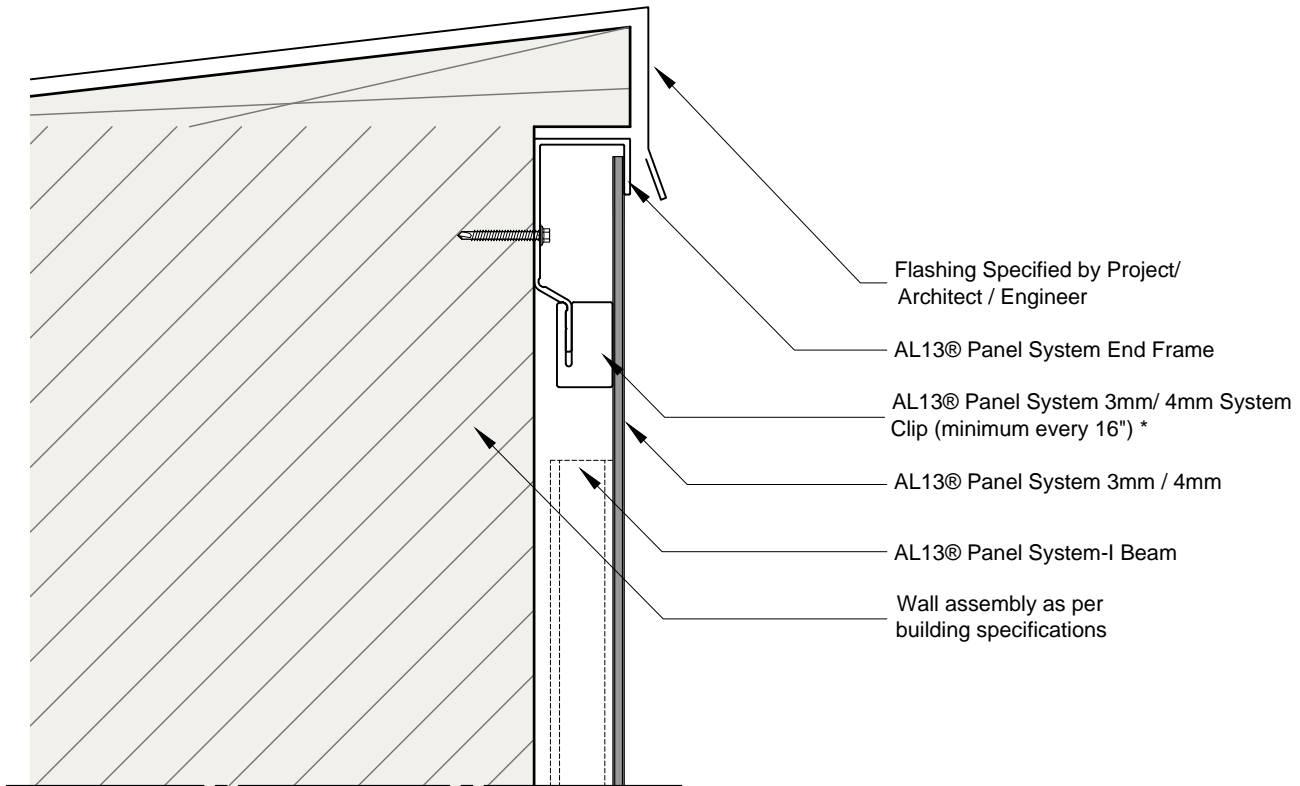
The contractor / builder must verify all dimensions on the job and report any discrepancy to the designer before proceeding with the work. All drawings and specifications are instruments of service and the copyright property of the designer and must be returned upon request.

AL13® System Details

Panel System
3mm / 4mm ACM
Panels

DESCRIPTION:
**GENERIC DETAIL
FASCIA AND SOFFIT
CONNECTION**

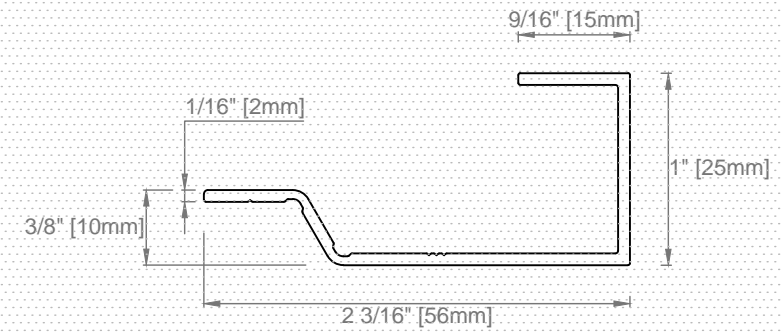
SCALE: --	DRAWING NUMBER: 20
DATE: 01 June 2019	



*Position system clips 6-8" away from corners and intersections.
See installation manual for more information.

17 Top of the Wall / Fascia
Scale 2"=1'-0"

EXTRUSIONS USED IN THE EXAMPLE



EF-8 Panel System End Frame
Scale 1"=1'-0"



1278 Cliveden Avenue, V6M
6G4 Delta, BC - Canada

TEL. +1(604) 428-2513
MAIL info@al13.com
www.al13.com

NOTE:
Aluminum Association standard
tolerances to apply unless
otherwise stated.

The contractor / builder must
verify all dimensions on the job
and report any discrepancy to
the designer before proceeding
with the work. All drawings and
specifications are instruments of
service and the copyright
property of the designer and
must be returned upon request.

AL13® System
Details

Panel System
3mm / 4mm ACM
Panels

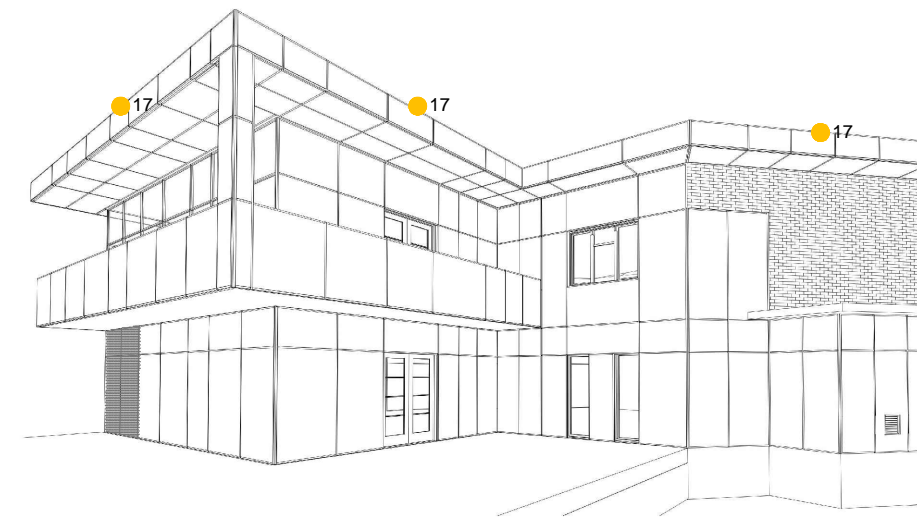
DESCRIPTION:
GENERIC DETAIL
**TOP OF THE
WALL / FASCIA**

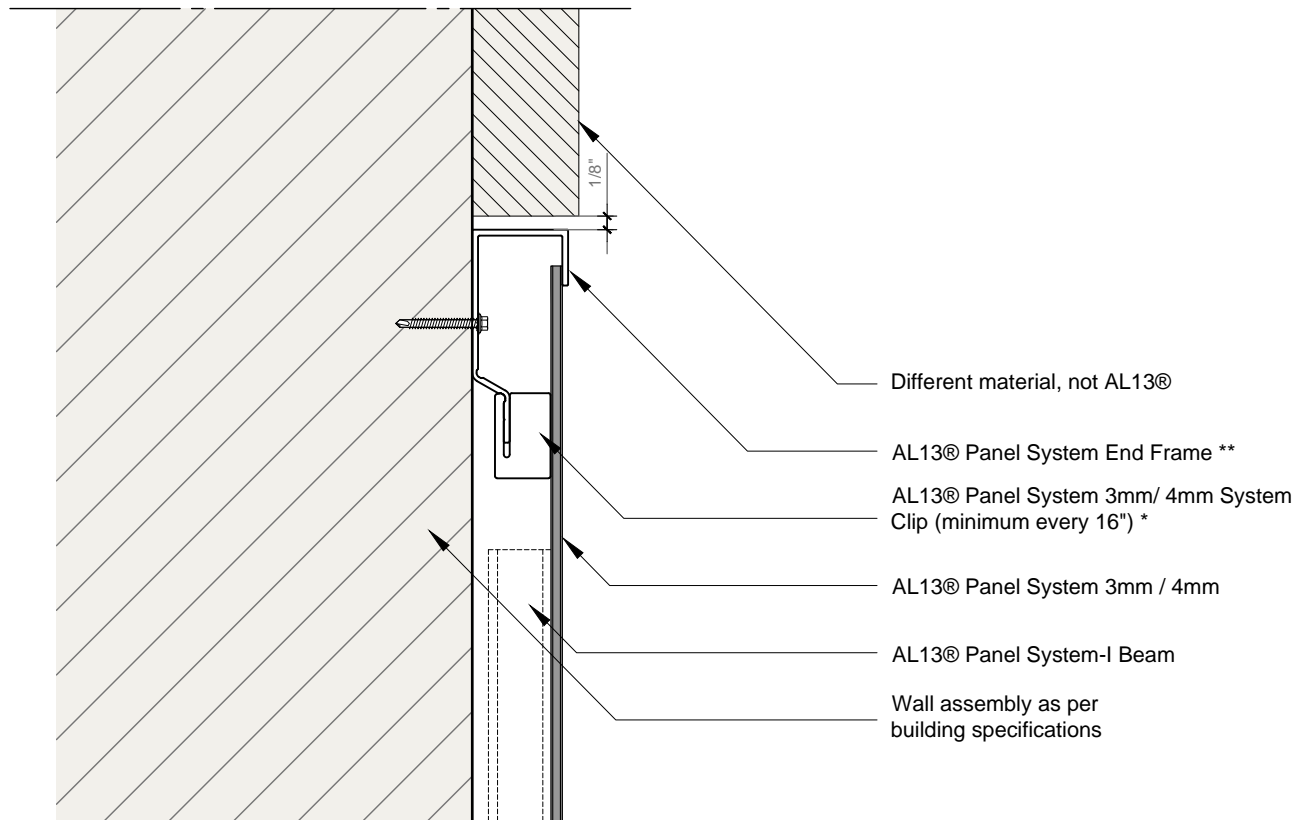
SCALE:
--

DRAWING
NUMBER:

DATE:
01 June 2019

21

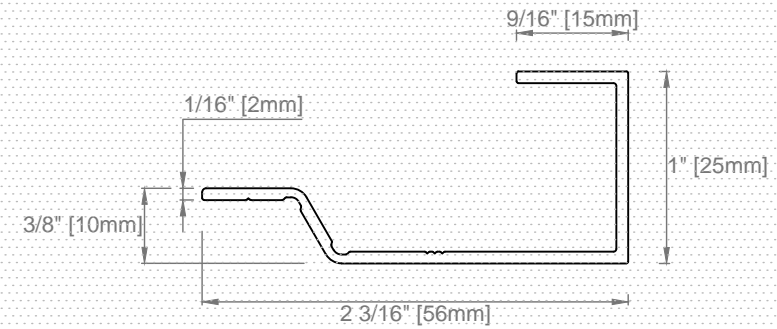




*Position system clips 6-8" away from corners and intersections.
 **Minimum 1/8" gap to allow proper contraction and expansion of the extrusion.
 See installation manual for more information.

18 Top of the Wall - Vertical Transition
 Scale 2"=1'-0"

EXTRUSIONS USED IN THE EXAMPLE



EF-8 Panel System End Frame
 Scale 1"=1'-0"



1278 Cliveden Avenue, V6M 6G4 Delta, BC - Canada

TEL. +1(604) 428-2513
 MAIL info@al13.com
 www.al13.com

NOTE:
 Aluminum Association standard tolerances to apply unless otherwise stated.

The contractor / builder must verify all dimensions on the job and report any discrepancy to the designer before proceeding with the work. All drawings and specifications are instruments of service and the copyright property of the designer and must be returned upon request.

AL13® System Details

Panel System
 3mm / 4mm ACM
 Panels

DESCRIPTION:
GENERIC DETAIL
TOP OF THE WALL
VERTICAL TRANSITION

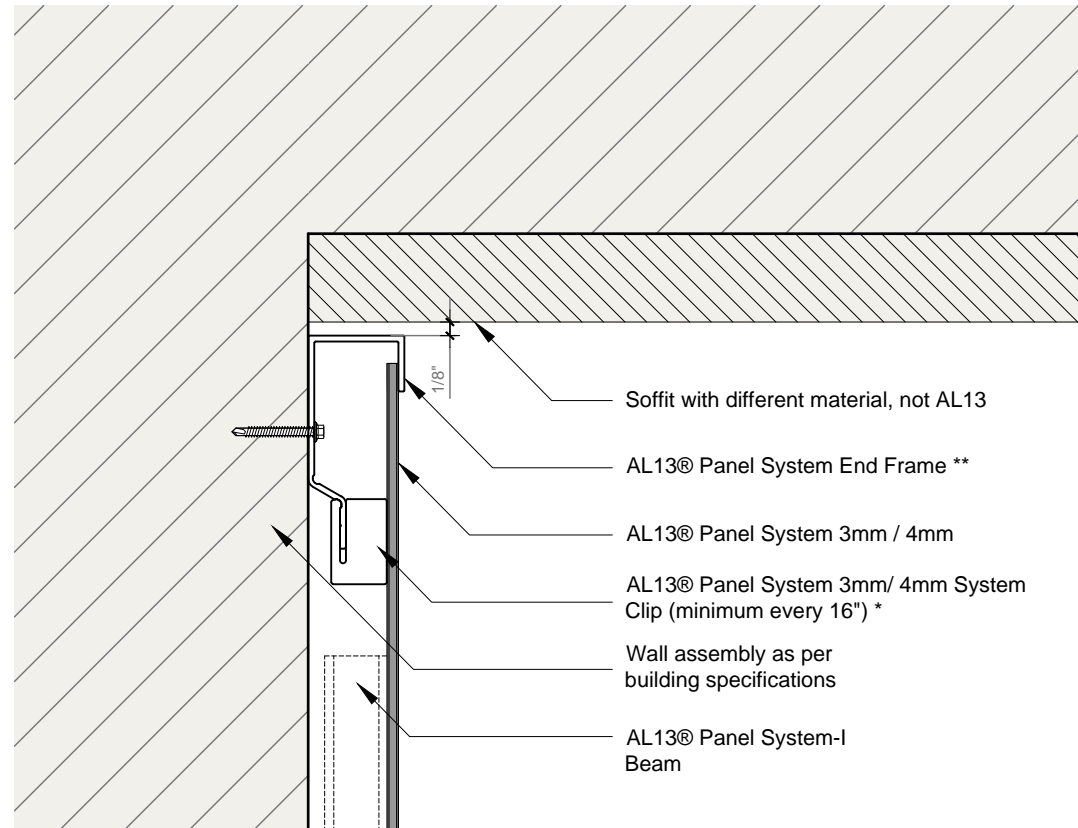
SCALE:
 --

DRAWING
 NUMBER:

DATE:
 01 June 2019

22

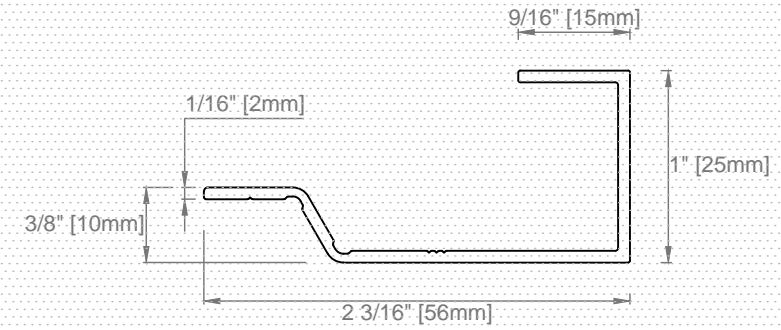




*Position system clips 6-8" away from corners and intersections.
 **Minimum 1/8" gap to allow proper contraction and expansion of the extrusion.
 See installation manual for more information.

19 End of the Wall - Transition with Soffit
 Scale 2"=1'-0"

EXTRUSIONS USED IN THE EXAMPLE



EF-8 Panel System End Frame
 Scale 1"=1'-0"



1278 Cliveden Avenue, V6M 6G4 Delta, BC - Canada

TEL. +1(604) 428-2513
 MAIL info@al13.com
 www.al13.com

NOTE:
 Aluminum Association standard tolerances to apply unless otherwise stated.

The contractor / builder must verify all dimensions on the job and report any discrepancy to the designer before proceeding with the work. All drawings and specifications are instruments of service and the copyright property of the designer and must be returned upon request.

AL13® System Details

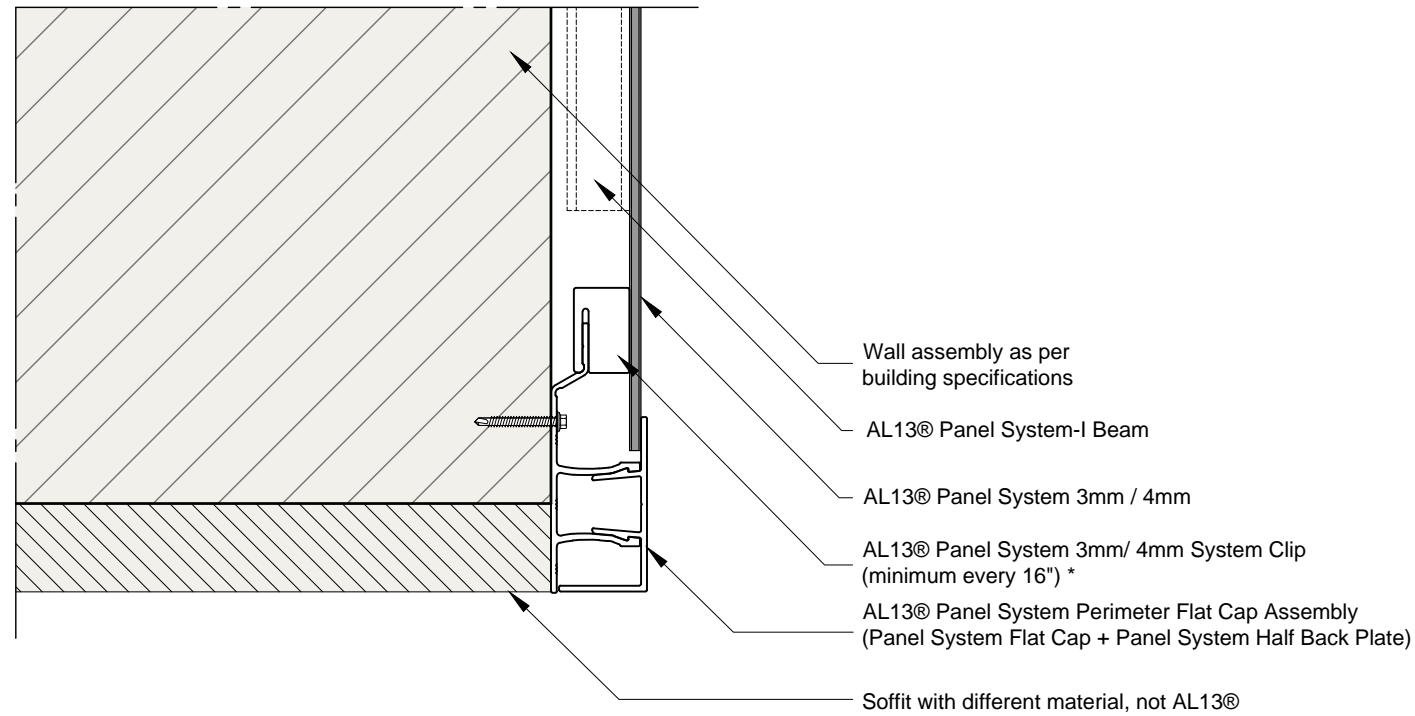
Panel System
 3mm / 4mm ACM
 Panels

DESCRIPTION:
GENERIC DETAIL
END OF THE WALL
TRANSITION WITH
SOFFIT

SCALE:
 -- DRAWING NUMBER:

DATE:
 01 June 2019 **23**

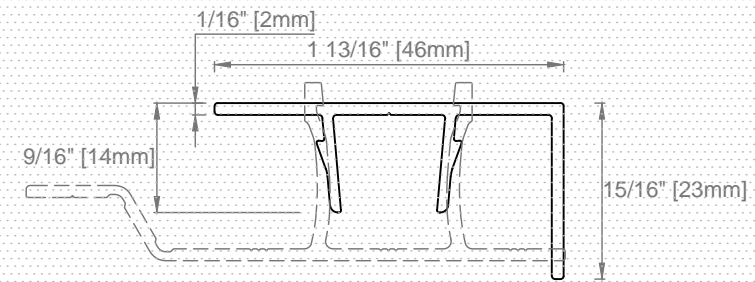




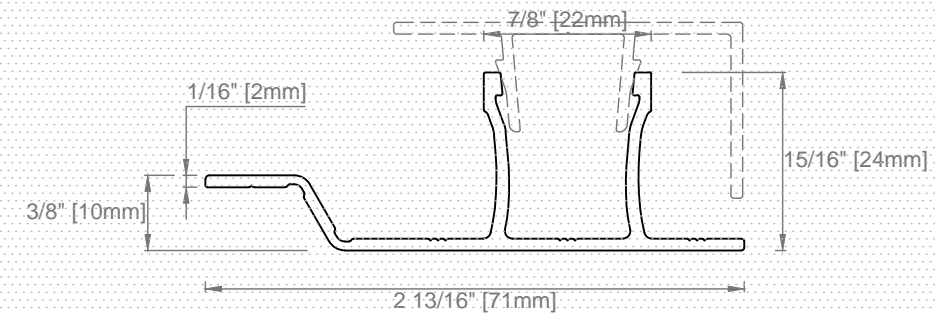
*Position system clips 6-8" away from corners and intersections. See installation manual for more information.

20 Soffit and Fascia Connection
Scale 2"=1'-0"

EXTRUSIONS USED IN THE EXAMPLE



PF-8 Panel System Perimeter Flat Cap
Scale 1"=1'-0"



HB-8 Panel System Half Back Plate
Scale 1"=1'-0"



1278 Cliveden Avenue, V6M 6G4 Delta, BC - Canada

TEL. +1(604) 428-2513
MAIL info@al13.com
www.al13.com

NOTE:
Aluminum Association standard tolerances to apply unless otherwise stated.

The contractor / builder must verify all dimensions on the job and report any discrepancy to the designer before proceeding with the work. All drawings and specifications are instruments of service and the copyright property of the designer and must be returned upon request.

AL13® System Details

Panel System
3mm / 4mm ACM
Panels

DESCRIPTION:
**GENERIC DETAIL
SOFFIT AND FASCIA
CONNECTION**

SCALE:
--

DRAWING
NUMBER:

DATE:
01 June 2019

24



NOTE:
Aluminum Association standard
tolerances to apply unless
otherwise stated.

The contractor / builder must
verify all dimensions on the job
and report any discrepancy to
the designer before proceeding
with the work. All drawings and
specifications are instruments of
service and the copyright
property of the designer and
must be returned upon request.

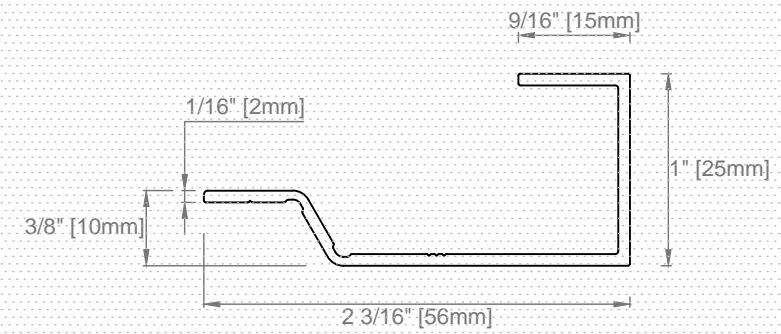
**AL13® System
Details**

Panel System
3mm / 4mm ACM
Panels

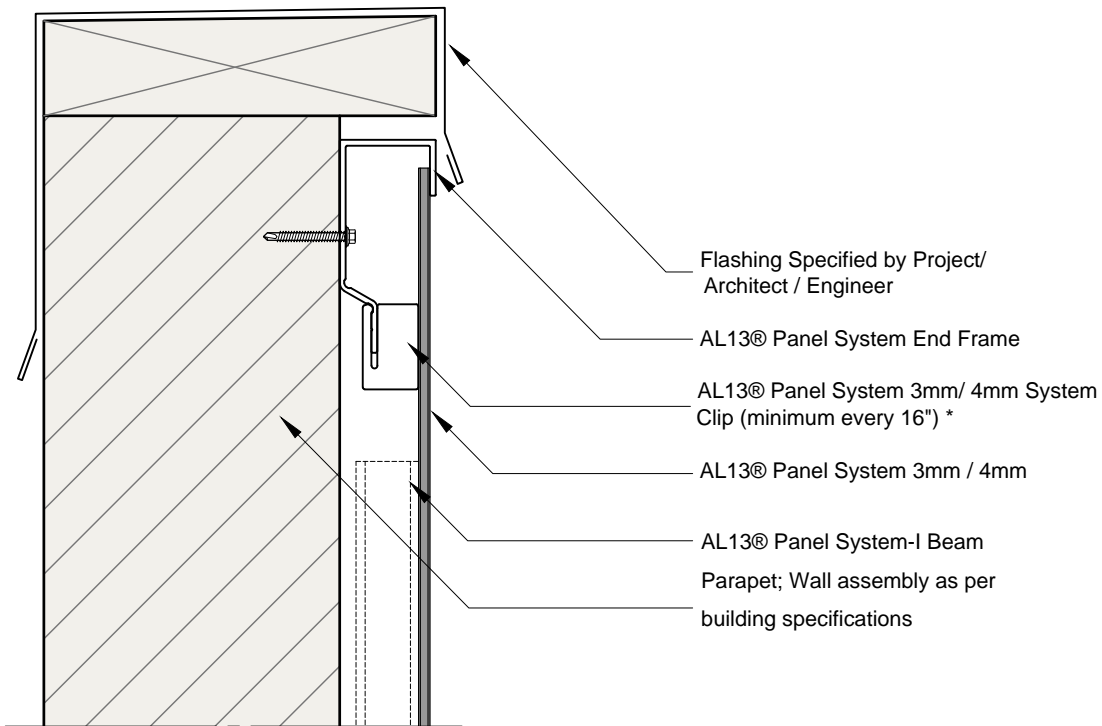
DESCRIPTION:
**GENERIC DETAIL
TOP OF PARAPET**

SCALE: --	DRAWING NUMBER: 25
DATE: 01 June 2019	

EXTRUSIONS USED IN THE EXAMPLE

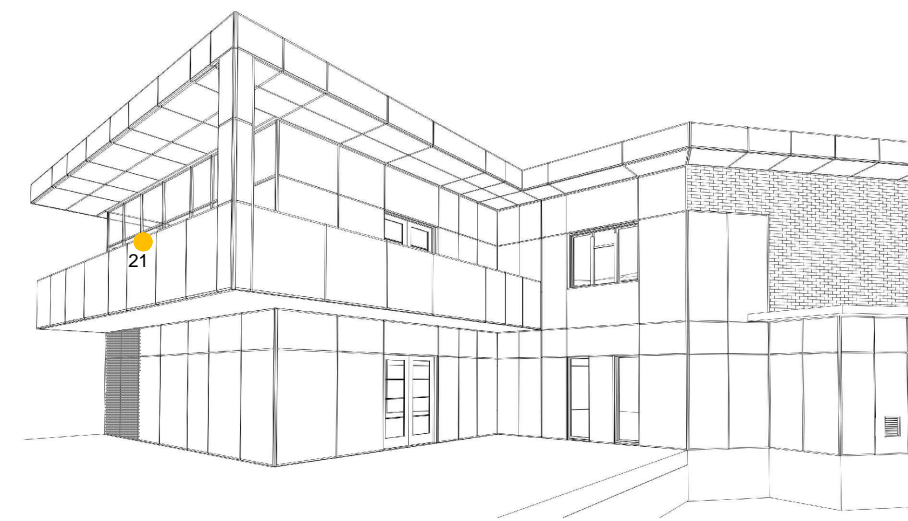


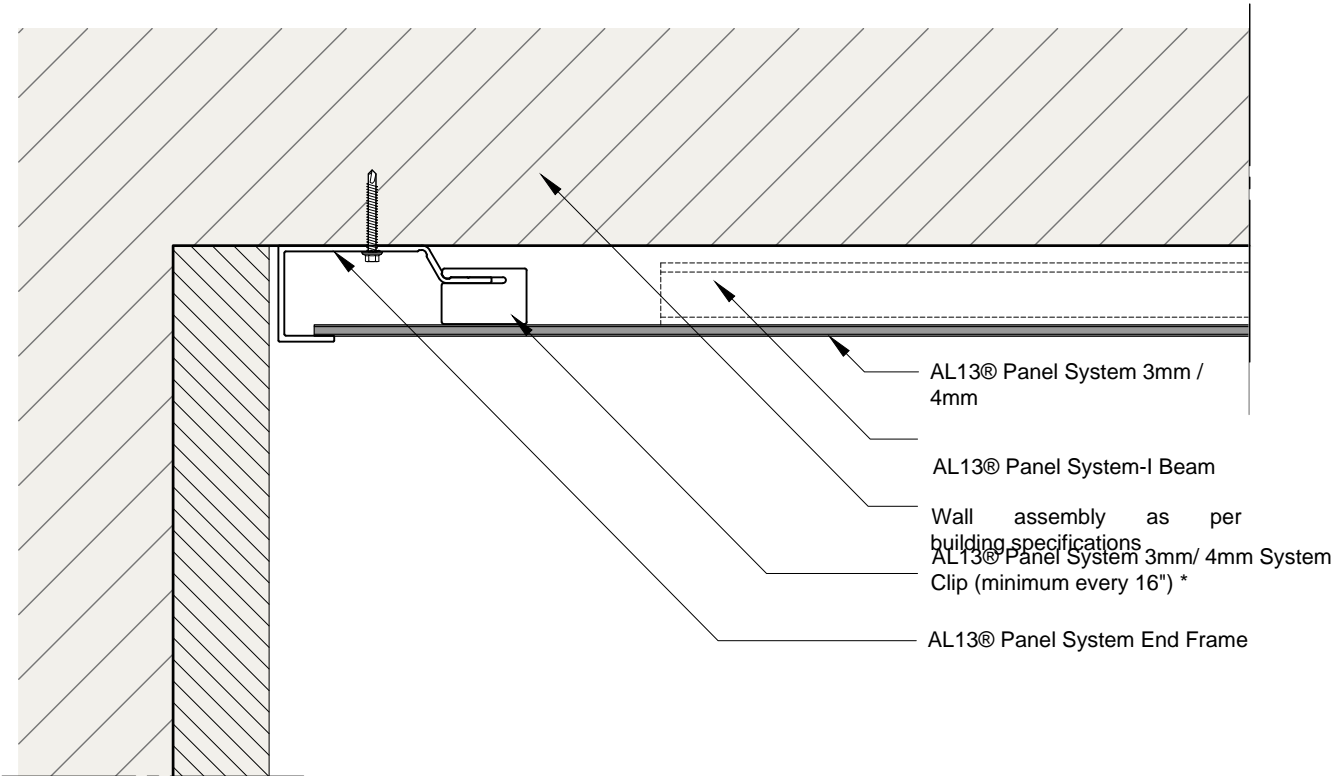
EF-8 Panel System End Frame
Scale 1"=1'-0"



*Position system clips 6-8" away from corners and intersections.
See installation manual for more information.

21 Top of parapet
Scale 2"=1'-0"

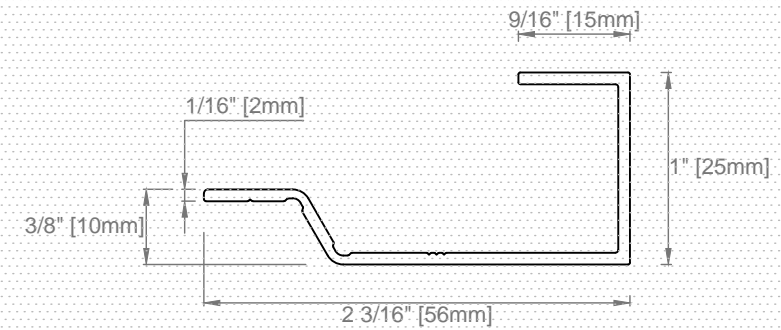




*Position system clips 6-8" away from corners and intersections.
See installation manual for more information.

22 End of the Wall - Transition with Soffit
Scale 2"=1'-0"

EXTRUSIONS USED IN THE EXAMPLE



EF-8 Panel System End Frame
Scale 1"=1'-0"



1278 Cliveden Avenue, V6M 6G4 Delta, BC - Canada

TEL. +1(604) 428-2513
MAIL info@al13.com
www.al13.com

NOTE:
Aluminum Association standard tolerances to apply unless otherwise stated.

The contractor / builder must verify all dimensions on the job and report any discrepancy to the designer before proceeding with the work. All drawings and specifications are instruments of service and the copyright property of the designer and must be returned upon request.

AL13® System Details

Panel System
3mm / 4mm ACM
Panels



DESCRIPTION:
GENERIC DETAIL
END OF THE WALL
TRANSITION WITH
SOFFIT

SCALE: --	DRAWING NUMBER: 26
DATE: 01 June 2019	