

Earthquake

Operator's Manual
Original Operating
Instructions

**Chainsaw
CS3814, CS3816,
CS4116**



⚠ WARNING

BEFORE USING OUR PRODUCTS, READ THIS MANUAL CAREFULLY TO UNDERSTAND THE PROPER USE OF YOUR UNIT.

INTRODUCTION

THANK YOU . . .

for purchasing a chainsaw from Earthquake®. We have worked to ensure that this chainsaw meets high standards for usability and durability. With proper care, your chainsaw will provide many years of service. Take the time to read this manual carefully to learn how to correctly operate and maintain your chainsaw. This manual should be considered a permanent part of your chainsaw. Due to continuous effort to perfect our product, certain procedures and specifications are subject to change without notice.

CONTENTS

Introduction 2
 Warnings and Safety Precautions.....3-10
 Features 11
 Specifications..... 12
 Assembly 13
 Operation 14-15
 Maintenance and Storage..... 16-19
 Troubleshooting and Repair..... 19-20
 Parts Breakdown..... 21-25
 Warranty 26-27

REGISTRATION, SERVICE AND MAINTENANCE LOG

Record the model number and serial number in the space provided for easy reference. Warranty is valid only if the completed registration is received by Ardisam within 30 days of purchase. You can register your warranty online by visiting www.getearthquake.com. If you do not have a computer, call our customer service department at (800) 345-6007 Mondays through Fridays from 8 a.m. to 5 p.m. CST.

serial number



OWNERSHIP RECORDS		
Owner's Name:		
Owner's Address:		
City:	State/Province:	Zip Code/Postal Code:
Model Number:	Serial Number:	
Date of Purchase:		
Notes:		

FEDERAL EMISSION INFORMATION

Earthquake® warrants to the retail purchaser, that this small, off-road engine was designed, built and equipped to conform at the time of initial sale to all applicable regulations of the U.S. Environmental Protection Agency (EPA). All weights, specifications, and features are approximate and are subject to change without notice. Due to continuous product improvements, product image may not be exact items.

This manual may contain information for several models. Read and keep this manual for future reference. This manual contains important information on SAFETY, ASSEMBLY, OPERATION, AND MAINTENANCE. The owner must be certain that all the product information is included with the unit. This information includes the MANUAL, the REPLACEMENT PARTS and the WARRANTIES. This information must be included to make sure state laws and other laws are followed. This manual should remain with the engine even if it is resold.

WARNINGS AND SAFETY PRECAUTIONS

OPERATOR'S RESPONSIBILITY

Accurate assembly and safe and effective use of the machine is the operator's responsibility.

- Read and follow all safety instructions.
- Carefully follow all assembly instructions.
- Maintain the machine according to directions and schedule included in this operator's manual.
- Ensure that anyone who uses the machine is familiar with all controls and safety precautions.


SPECIAL SAFETY MESSAGES

Your manual contains special messages to bring attention to potential safety concerns, machine damage as well as helpful operating and servicing information. Read all the information carefully to avoid injury and machine damage.


NOTE: General information is given throughout the manual that may help the operator in the operation or service of the machine.


 This symbol points out important safety instructions which if not followed could endanger your personal safety.


BEFORE OPERATING ENGINE:


 **WARNING**
READ ENTIRE OPERATING AND MAINTENANCE INSTRUCTIONS FOR THIS PRODUCT. FAILURE TO FOLLOW INSTRUCTIONS COULD RESULT IN SERIOUS INJURY OR DEATH. OPERATE THE ENGINE ACCORDING TO THE SAFETY INSTRUCTIONS OUTLINED HERE AND INSERTED THROUGHOUT THE TEXT. ANYONE WHO USES THIS PRODUCT MUST READ THE INSTRUCTIONS AND BE FAMILIAR WITH THE CONTROLS.

 **WARNING**
WARNING INDICATES A HAZARD WHICH, IF NOT AVOIDED, COULD RESULT IN DEATH OR SERIOUS INJURY AND/OR PROPERTY DAMAGE.

 **CAUTION**
CAUTION INDICATES YOU CAN BE HURT OR YOUR EQUIPMENT DAMAGED IF THE SAFETY INSTRUCTIONS THAT FOLLOW THIS SIGNAL WORD ARE NOT OBEYED.

 **IMPORTANT**
INDICATES HELPFUL INFORMATION FOR PROPER ASSEMBLY, OPERATION, OR MAINTENANCE OF YOUR EQUIPMENT.

 **WARNING**
CALIFORNIA PROPOSITION 65 WARNING
ENGINE EXHAUST FROM THIS PRODUCT CONTAINS CHEMICALS KNOWN TO THE STATE OF CALIFORNIA TO CAUSE CANCER, BIRTH DEFECTS, OR OTHER REPRODUCTIVE HARM.

 **WARNING**
YOU MUST READ, UNDERSTAND AND COMPLY WITH ALL SAFETY AND OPERATING INSTRUCTIONS IN THIS MANUAL BEFORE ATTEMPTING TO SETUP AND OPERATE YOUR MACHINE.
FAILURE TO COMPLY WITH ALL SAFETY AND OPERATING INSTRUCTIONS CAN RESULT IN LOSS OF MACHINE CONTROL, SERIOUS PERSONAL INJURY TO YOU AND/OR BYSTANDERS, AND RISK OF EQUIPMENT AND PROPERTY DAMAGE. THE TRIANGLE IN THE TEXT SIGNIFIES IMPORTANT CAUTIONS OR WARNINGS WHICH MUST BE FOLLOWED.

Intended Use / Foreseeable Misuse

This machine is a saw that utilizes a toothed, rotating chain powered by an IC engine to be used in the cutting of cordwood. This product shall not be used for any other purpose.

GENERAL SAFETY RULES

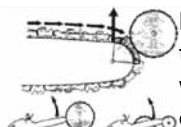
- Read, understand, and follow all instructions on the machine and in the manual(s). Be thoroughly familiar with the controls and the proper use of the machine before starting.
- Use this equipment for its intended purpose only.
- Familiarize yourself with all of the safety and operating decals on this equipment and on any of its attachments or accessories.
- Do not put hands or feet near or under rotating parts.
- Only allow responsible individuals who are familiar with the instructions to operate the machine. Do not allow children to operate this machine. Do not allow adults to operate the machine without proper instruction.
- Thoroughly inspect the area where the machine is to be used and remove all foreign objects. Your equipment can propel small objects at high speed causing personal injury or property damage. Stay away from breakable objects, such as house windows, automobiles, greenhouses, etc.
- Wear appropriate clothing such as a long-sleeved shirt or jacket. Also wear long trousers or slacks. Do not wear shorts. Never wear sandals, sneakers, or open shoes, and never operate the machine with bare feet.
- Do not wear loose clothing or jewelry. They can get caught in moving parts. Always keep hands, feet, hair and loose clothing away from any moving parts on engine and machine.
- Always wear safety goggles or safety glasses with side shields when operating the machine to protect your eyes from foreign objects which can be thrown from the unit. Always wear a protective hearing device.
- Always wear work gloves and sturdy footwear. Wear footwear that will improve footing on slippery surfaces. Leather work shoes or short boots work well for most people. These will protect the operator's ankles and shins from small sticks, splinters, and other debris.
- It is advisable to wear protective headgear to prevent the possibility of being struck by small flying particles, or being struck by low hanging branches, twigs, or other objects which may be unnoticed by the operator.
- Do not operate the machine without proper guards or other safety protective devices in place.
- See manufacturer's instructions for proper operation and installation of accessories. Only use accessories approved by the manufacturer.
- Operate only in daylight or good artificial light.
- Do not operate product when fatigued or under the influence of alcohol, drugs or other medication which can cause drowsiness or affect your ability to operate this machine safely.
- Never operate machine in wet grass. Always be sure of your footing; keep a firm hold on the handle and walk; never run.
- Watch for traffic whenever you are operating near, or when crossing roads.
- If the equipment should start to vibrate abnormally, stop the engine (motor), disconnect the spark plug wire and prevent it from touching the spark plug. Check immediately for cause. Vibration is generally a warning of trouble. If the noise or vibrations of the machine increase, stop immediately and perform an inspection.
- Never leave the machine unattended when the engine is running. Remove the wire from the spark plug.
- Regularly inspect the machine. Make sure parts are not bent, damaged or loose.
- Temperature of muffler and nearby areas may exceed 150° F (65° C). Allow muffler and engine areas to cool before touching. Never pick up or carry the machine while the engine is running.
- Prolonged exposure to noise and vibration from gasoline engine-powered equipment should be avoided. Take intermittent breaks and/or wear ear protection from engine noise as well as heavy work gloves to reduce vibration in the hands.
- Keep all screws, nuts and bolts tight.
- Do not transport the machine from one place to another with the engine running.
- When moving the packaged machine, always do so with a partner.
- Check local regulations for age restrictions on use of this machine.

PRODUCT-SPECIFIC SAFETY RULES

- After striking a foreign object, stop the engine. Remove the wire from the spark plug. Inspect the chainsaw for damage. If damaged, repair before starting and operating the chainsaw.
- The cutting chain of the chainsaw should not rotate when the engine is idling. If it does rotate when engine is idling, contact Earthquake® for instructions.
- If an object becomes lodged in the saw, turn engine off, remove the wire from the spark plug and secure, allow to cool before attempting to remove the foreign object.
- The clutch will transfer maximum power after about two hours of normal operation. During this break-in period clutch slippage may occur. The clutch should be kept free of oil or other moisture for efficient operation.
- Never cut in high wind, bad weather, when visibility is poor, or in very low temperatures. Always check the tree for dead branches that could fall during the felling operation.
- Never start cutting until you have a clear work area, secure footing and a planned retreat path away from the falling tree.

- Always hold the chainsaw firmly with both hands when the engine is running. Use a firm grip with thumb and fingers encircling the chainsaw handles.
- When carrying from one place to another, always stop the engine and hold the saw with the guide bar and saw chain behind you and the muffler away from your body.
- Always inspect the chainsaw for worn, loose, or damaged parts. Never operate a chainsaw that has been damaged, improperly adjusted, or is not completely and securely assembled.
- Use extreme caution when cutting small brush and saplings. Thinner material may be caught by the chain and could whip back toward you or pull you off balance.
- When cutting limbs under tension, stay alert for "spring back" so you are not struck when the tension in the wood fibers is released.
- Always shut off the engine before setting the chainsaw down.
- Keep the handles dry, clean, and free of lubricants, oils and fuel.

Kickback



Kickback may occur when the guide bar nose or tip comes into contact with a foreign object, or when the "saw kerf" (gap in the wood being cut) closes in on the bar and pinches the saw chain.



Tip contact in some cases may cause a lightning-fast reverse action, kicking the guide bar up and back toward the operator.



Pinching the saw chain along the top of the guide bar may push the guide bar and the saw unit backward toward the operator.



Either of these reactions may cause the operator to lose control of the chainsaw, which could result in serious personal injury or death.



Do not rely exclusively on the safety devices built into your saw. As a chainsaw user, it is your responsibility to understand the inherent dangers of chainsaw use and the precautions necessary to minimize those dangers.



Precautions to Avoid Kickback:

- Always grip the chainsaw firmly with both hands; the right hand on the rear handle, and the left hand on the forward grip.
- Make certain the area in which you are cutting is free from obstructions. Do not let the guide bar nose come into contact with a log, branch, rock or other objects while cutting. Such contact could result in a kickback.
- Always make cuts at high engine speeds.

- Do not over-reach or cut above shoulder height.
- Always maintain a sharp and clean saw chain. Follow manufacturer's sharpening and maintenance instructions for the saw chain.
- Only use replacement bars and chains specified by the manufacturer or an appropriate equivalent.

Sawing

- This saw is provided for the sole intended purpose of cutting wood. Do not cut other materials with this saw.
- Do not attach other tools or accessories to the output shaft of the power unit. Doing so will void the manufacturer's warranty.
- Do not apply excessive pressure to force the saw through the cut. Run the engine at full throttle and apply only light pressure.
- Always maintain a firm footing.
- Never cut from a stepladder or while in a tree.
- Never use the guide bar as a means to lift, pry, move or split objects.
- Never mount the chainsaw on a fixed stand.
- If the guide bar and saw chain become pinched in a cut, do not race the engine or pull the saw out of the cut by force. Use a wedge or lever to open the cut and pull the saw free.

Felling a Tree

Felling refers to the process of cutting down a standing tree. Numerous factors must be taken into consideration when felling a tree. First consider the environmental factors which will determine the felling direction:

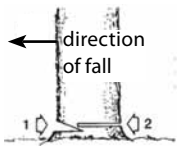
- Wind is a major determining factor of felling direction.
- Location and number of heavy branches and the lean of the tree.
- Ease of bucking and clean-up after felling
- Nearby standing timber in which the felled tree could hang up.
- Location of power, telephone and data utilities, buildings, roads, bodies of water, property lines, etc.
- Wood structure and condition (i.e. rotten heartwood or core).
- Keep all bystanders at least 2-1/2 tree lengths away from the base of the tree to be cut. This area is considered a danger zone and must be avoided before and during the felling operation.

Retreat Path

Plan two (2) retreat paths away from the felling direction of the tree. Do not retreat in the opposite direction from the falling tree. Instead, retreat at a 45-degree angle to either side.

- Clear the retreat paths of all obstacles.
- Place all excess tools and equipment a safe distance from the tree, but not in the retreat paths.

Felling Notch



The felling notch is the first cut when felling a tree. The notch will act as a hinge and will direct the tree to fall in the desired direction.

- 1) Begin the felling notch by lining up the guide bar perpendicular to the desired felling direction.
- 2) Make a downward cut at 45-degree to a depth of about 1/5 to 1/4 of the overall diameter of the tree.
- 3) Finish the notch by making a horizontal cut perpendicular to the desired felling direction.
- 4) Remove the resultant piece.

Felling Cut

Alert others in the area of imminent danger of the falling tree. Double check that no one has entered the area in the felling direction.

- 1) Begin the felling cut by making a horizontal cut perpendicular to the intended felling direction and approximately 1-2 inches above the bottom of the felling notch.
- 2) Leave approximately 1/10 of the tree's diameter uncut. This will form the hinge.
- 3) Drive plastic or wooden wedges into the felling cut to control the fall.
- 4) As the tree begins to fall, alert others and immediately evacuate the area around the tree.

Limbing a Felled Tree

"Limbing" refers to removing the limbs from a fallen tree. There is an extremely high danger of kickback during the limbing operation. Do not work with the nose of the guide bar, as this could cause a kickback. Use extreme caution and avoid contact between the nose of the bar and the log or other limbs. Do not stand on the log while limbing it as the log may roll as limbs are removed and the center of gravity shifts.

Start limbing by removing limbs from the top side of the log, leaving limbs on the bottom to support the log up off the ground. Limbs under tension may pinch the guide bar and saw chain. Shut off the engine and lift the limb to remove the bar safely.

Bucking a Log

"Bucking" is the cross-cut operation of cutting a log into usable sections. Do not stand on the log while bucking as it may roll. When bucking on a slope, stand uphill of the log in case it begins to roll unexpectedly. Cut only one log at a time.

- When bucking small logs, place them in a "V" shaped bucking horse to keep them at a working level. Never allow a bystander to hold the log. Never hold the log with your leg or foot.
- To buck a log on flat ground, make perpendicular cuts through about half of the diameter of the log. Roll the log and finish the cuts from the other side.

WARNING

INEXPERIENCED USERS SHOULD NEVER ATTEMPT TO CUT TREES WITH ROTTEN HEARTWOOD (THE CORE OF THE TREE). THERE IS AN INCREASED RISK THAT THE TREE COULD SNAP OR SPLIT UNEXPECTEDLY DURING THE CUT. ALSO CHECK FOR DEAD OR ROTTEN LIMBS PRIOR TO BEGINNING THE CUT. DEAD LIMBS CAN VIBRATE LOOSE FROM THE TREE AND FALL, STRIKING THE OPERATOR.

CAUTION

LOGS AND LIMBS UNDER TENSION CAN SPRING BACK WHEN CUT LOOSE. THIS LIGHTNING FAST ACTION COULD CAUSE A LOSS OF CONTROL OF THE CHAINSAW.

CAUTION

ONLY TRAINED AND EXPERIENCED PROFESSIONALS SHOULD FELL TREES NEAR OVERHEAD LINES AND BUILDINGS. A SLIGHT MISJUDGMENT OF WIND DIRECTION OR NATURAL LEAN OF A TREE COULD RESULT IN MAJOR PROPERTY DAMAGE.

CAUTION

DO NOT CUT THROUGH THE HINGE. CUTTING THROUGH THE HINGE INCREASES THE RISK OF LOSING CONTROL OF THE FELLING DIRECTION.

- To buck a pillowed or supported log, always make a relieving cut through about 1/3 the diameter of the log from the compressed side. Finish with a bucking cut from the tension side of the log.

Tip: When cutting firewood, make sure you know the optimum length of the finished firewood ahead of time. Use the guide bar as an approximate length gauge.

Pruning

Pruning is removing limbs from a standing tree, often for purposes of maintaining a tree's health or aesthetics. Always work with a firm footing. Never cut from a stepladder. **Do not over reach. Do not cut above shoulder height.**

- 1) Begin pruning by making a relief cut about 3 inches away from the trunk of the tree to a depth of about 1/3 the diameter of the branch.
- 2) Complete the cut from above, just inside of the initial relief cut.
- 3) Finish pruning by making a smooth even cut nearly flush to the trunk. It is recommended to only prune trees while they are dormant in the fall and winter to reduce the risk posed by disease or insects.

ENGINE SAFETY PRECAUTIONS

Warning Carbon Monoxide Poisoning

Engines give off carbon monoxide, an odorless, colorless, poisonous gas. Carbon monoxide may be present even if you do not smell or see any engine exhaust. Breathing carbon monoxide can cause nausea, fainting or death, in addition to drowsiness, dizziness and confusion. If you experience any of these symptoms, seek fresh air and medical attention immediately.

If your product comes with a separate engine manual, be sure to read and follow all safety and warning precautions outlined there, in addition to any in this manual.

Preventing Carbon Monoxide Poisoning

- Always start and run engine outdoors. Do not start or run engine in an enclosed area, even if doors or windows are open.
- Never try to ventilate engine exhaust indoors. Carbon monoxide can reach dangerous levels very quickly.
- Never run engine outdoors where exhaust fumes may be pulled into a building.
- Never run engine outdoors in a poorly ventilated area where the exhaust fumes may be trapped and not easily taken away. (Examples include: in a large hole or areas where hills surround your working area.)
- Never run engine in an enclosed or partially enclosed area. (Examples include: buildings that are enclosed on one or more sides, under tents, car ports or basements.)
- Always run the engine with the exhaust and muffler pointed in the direction away from the operator.
- Never point the exhaust muffler towards anyone. People should always be many feet away from the operation of the engine and its attachments.
- Do not change the engine governor settings or over-speed the engine.

Gasoline Fires and Handling Fuel Safely

Use extra care in handling gasoline and other fuels. They are flammable and vapors are explosive.

- When storing extra fuel be sure that it is in an appropriate container and away from any fire hazards.
- Prevent fire and explosion caused by static electric discharge. Use only nonmetal, portable fuel containers approved by the Underwriter's Laboratory (U.L.) or the American Society for Testing & Materials (ASTM).
- Always fill fuel tank outside in a well ventilated area. Never fill your fuel tank with fuel indoors. (Examples include: basement, garage, barn, shed, house, porch, etc.) Never fill tank near appliances with pilot lights, heaters, or other ignition sources.

WARNING

ENGINES GIVE OFF CARBON MONOXIDE, AN ODORLESS, COLORLESS, POISONOUS GAS. CARBON MONOXIDE MAY BE PRESENT EVEN IF YOU DO NOT SMELL OR SEE ANY ENGINE EXHAUST. BREATHING CARBON MONOXIDE CAN CAUSE NAUSEA, FAINTING OR DEATH, IN ADDITION TO DROWSINESS, DIZZINESS AND CONFUSION.

IF YOU EXPERIENCE ANY OF THESE SYMPTOMS, SEEK FRESH AIR AND MEDICAL ATTENTION IMMEDIATELY.

CAUTION

HOT GASES ARE A NORMAL BY-PRODUCT OF A FUNCTIONING CATALYTIC CONVERTER. FOLLOW ALL SAFETY INSTRUCTIONS TO PREVENT BURNS AND FIRES.

DO NOT ALTER/MODIFY ENGINE:

NEVER ALTER OR MODIFY THE ENGINE FROM THE FACTORY. SERIOUS INJURY OR DEATH MAY OCCUR IF ENGINE IS MODIFIED OR ALTERED.

WHEN WORKING ON OR REPLACING PARTS FOR THE ENGINE OR PRODUCT, YOU MUST ALWAYS DISCONNECT SPARK PLUG WIRE FROM THE SPARK PLUG AND KEEP IT AWAY FROM THE SPARK PLUG.

- If the fuel has to be drained, this should be done outdoors. The drained fuel should be stored in a container specifically designed for fuel storage or it should be disposed of carefully.
- Never remove the fuel cap or add fuel with the engine running. Stop engine and allow to cool before filling.
- Do not smoke.
- Never drain fuel from engine in an enclosed area.
- Always wipe up excess (spilled) fuel from engine before starting. Clean up spilled fuel immediately. If fuel is spilled, do not start the engine but move product and fuel container from area. Clean up spilled fuel and allow to evaporate and dry after wiping and before starting.
- Allow fuel fumes/vapors to escape from the area before starting engine.
- Test the fuel cap for proper installation before starting and using engine.
- Always run the engine with fuel cap properly installed on the engine.
- Never smoke while refilling engine fuel tank.
- Do not store engine with fuel in fuel tank indoors. Fuel and fuel vapors are highly explosive.

- Never pour fuel from engine fuel tank.
- Never siphon fuel by mouth to drain fuel tank.
- Always have an adult fill the fuel tank and never allow children to fill the engine.
- Never allow an adult or anyone under the influence of drugs or alcohol to fill engine.
- When storing gasoline or equipment with fuel in the tank, store away from furnaces, stoves, water heaters or other appliances that have a pilot light or other ignition source because they can ignite gasoline vapors.

BURNS AND FIRES

The muffler, muffler guard and other parts of the engine become extremely hot during the operation of the engine. These parts remain extremely hot after the engine has stopped.

Prevention of Burns and Fires

- Never remove the muffler guard from the engine.
- Never touch the muffler guard because it is extremely hot and will cause severe burns.
- Never touch parts of the engine that become hot after operation.
- Always keep materials and debris away from muffler guard and other hot parts of the engine to avoid fires.
- This engine is designed to operate using a catalytic converter which contributes to the engine's compliance with the EPA.

CHILDREN AND BYSTANDERS

Tragic accidents can occur if the operator is not alert to the presence of children and/or bystanders. Never assume that others will remain where you last saw them.

- Keep the area of operation clean of all persons, especially small children and pets. Keep children under the watchful care of a responsible adult.
- Be alert and turn machine off if children enter the area.
- Before and while moving backwards, look behind and down for small children.
- Never allow children to operate the machine.
- Use extra care when approaching blind corners, shrubs, trees, or other objects that may obscure vision.

SERVICE

- Always stop the engine whenever you leave the equipment, before cleaning, repairing or inspecting the unit. Engine should be turned off and cool, spark plug wire must be removed from spark plug before any repairs or adjustments are attempted. Never make adjustments or repairs with the engine (motor) running. Disconnect the spark plug wire, and keep the wire away from the plug to prevent accidental starting. Remove the ignition key if equipped with an electric start.
- Always wear eye protection when you make adjustments or repairs.
- Keep all nuts and bolts tight and keep equipment in good condition.
- Never tamper with safety devices. Check their proper operation regularly.
- When servicing or repairing the machine, do not tip the machine over or up unless specifically instructed to do so in this manual. Service and repair procedures can be done with the machine in an upright position. Some procedures will be easier if the machine is lifted on a raised platform or working surface.
- To reduce fire hazard, keep machine free of grass, leaves, or other debris build-up. Clean up oil or fuel spillage. Allow machine to cool before storing.
- Stop and inspect the equipment if you strike an object. Repair, if necessary, before restarting.
- Do not change the engine governor setting or over-speed the engine.
- Clean and replace safety and instruction decals as necessary.
- To guard against engine over-heating, always have engine debris filter mounted and clean.
- Inspect machine before storage. When not in use, disconnect spark plug lead and store indoors in a dry place locked or otherwise inaccessible to children.
- Use only original equipment parts from Earthquake, including all nuts and bolts.

SAFETY DECALS

Although reading this manual and the safety instructions it contains will provide you with the necessary basic knowledge to operate this equipment safely and effectively, we have placed several safety labels on the chainsaw to remind you of this important information while you are operating the unit.

These important safety labels are illustrated below, and are shown here to help familiarize you with the location and content of the safety messages you will see as you perform normal cutting operations. Review these labels now. If you have any questions regarding their meaning or how to comply with these instructions, reread the complete safety instruction text on the preceding pages, or contact your local dealer.

Should any of the safety labels become unreadable because of being worn, faded, or otherwise damaged during the use of your chainsaw, use the part number information provided to order a replacement label from your local authorized dealer.

The safety labels are easily applied, and will act as a constant visual reminder to you, and others who may use the equipment. Follow the safety instructions necessary for safe, effective operation of your chainsaw.



- (1) Read operator's instruction book before operating this machine.



- (8) Indicates the engine operation ON/OFF switch. Flipping the switch to the "O" position immediately stops the engine.

Location: Near the rear at the left side of the rear handle.



- (2) You must wear appropriate ear, eye, and head protection.



- (9) Indicates the choke knob location. Pull out the choke knob and the choke closes; push in the choke knob and the choke opens.

Location: Near the rear at the right side of the rear handle.



- (3) Use two hands when operating the chainsaw.



- (4) Warning! Danger of kickback.

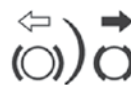


- (10) Indicates the oil pump adjustment location. Turn the rod using a screwdriver and follow the arrow to the MAX position to increase chain oil flow. Turning the rod to the MIN position decreases chain oil flow.

Location: Bottom of the power unit.



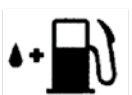
- (5) Read, understand and follow all warnings.



- (11) Indicates the directions that the chain break is released (white arrow) and activated (black arrow)

Location: Front of the chain cover.

For safe operation and maintenance, additional symbols are engraved on the machine.



- (6) Indicates the port for refueling the gas/oil mixture.

Location: Near the fuel cap.



- (12) Indicates the direction of the saw chain installation.

Location: Front of the chain cover.

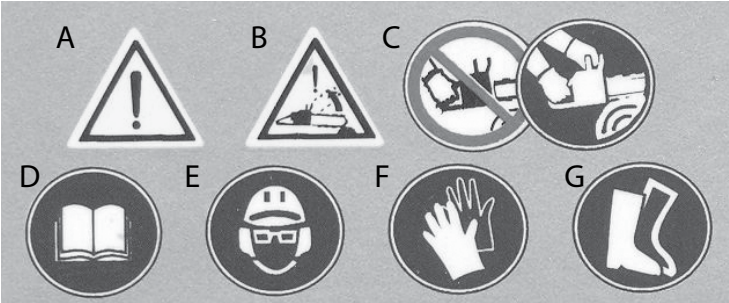


- (7) Indicates the port to refill the chain oil.

Location: Near the oil cap

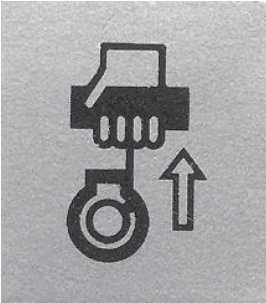
CE MODEL SAFETY WARNINGS AND MARKINGS (FOR EUROPEAN MODELS)

The following markings and labels are applied to the product, in addition to those shown in the original instructions.

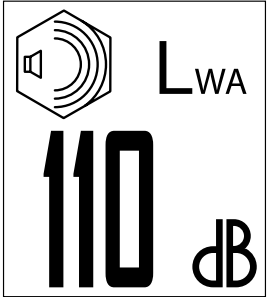


Decal Descriptions:

- A: WARNING!
- B: WARNING! Danger of kickback
- C: Use two hands while operating chainsaw
- D: Read operator instructions
- E: Always wear protective head, eye, and ear gear
- F: Always wear protective gloves when using product
- G: Always wear protective foot gear when operating unit

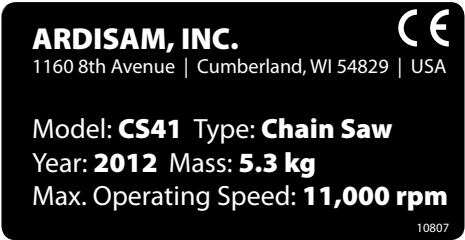
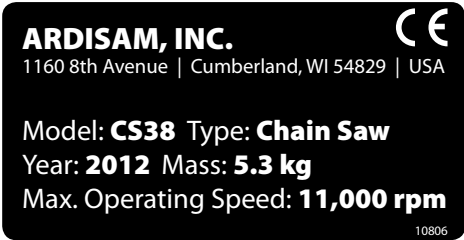


Decal Description:
 Pull recoil out slightly before giving a full arm pull.



Decal Description:
 Guaranteed noise level decal

NAMEPLATE DECALS



SAFETY FEATURES

This saw is equipped with certain safety features and devices to protect the user from harm in the event the saw reacts unexpectedly to external forces:

1. **Chain Brake:** The saw is equipped with a chain brake designed to stop the chain instantaneously upon activation. The chain brake can be activated in one of two ways:

- The forward hand guard doubles as an activation lever for the hand brake. It can be activated manually, or it may be activated by the user's arm if a kickback occurs.
- The saw is also equipped with an "Inertial Chain Break." The same mechanism as above is activated by the inertial force created when a counterweight under the forward hand guard accelerates toward the bar nose during a kickback.
- Proper cleaning and care of the chain brake system are required to ensure reliable operation in the field. You should also check your chain brake for proper operation regularly. To check your chain brake:

Manually activate the chain brake by pushing the forward hand guard toward the bar nose. There will be an audible click when the chain brake engages. If there is no audible click, the brake may already be engaged. Pull back on the forward hand guard to deactivate the brake. An audible click should be heard when the brake disengages. If there is still no audible click, the brake is not functioning properly. Remove the clutch cover, clean and reassemble, and re-test. If no audible click is heard, contact customer service for further assistance.

With the saw's engine shut off and the brake disengaged, firmly grasp both handles and hold the saw over a log or low stump. Swing the bar nose sharply down until it makes contact. This should create enough inertial force to automatically activate the chain brake. When the brake engages, an audible click should be heard. If no audible click is heard, the brake is not functioning properly. Remove the clutch cover, clean and reassemble, and re-test. If no audible click is heard, contact customer service for further assistance.

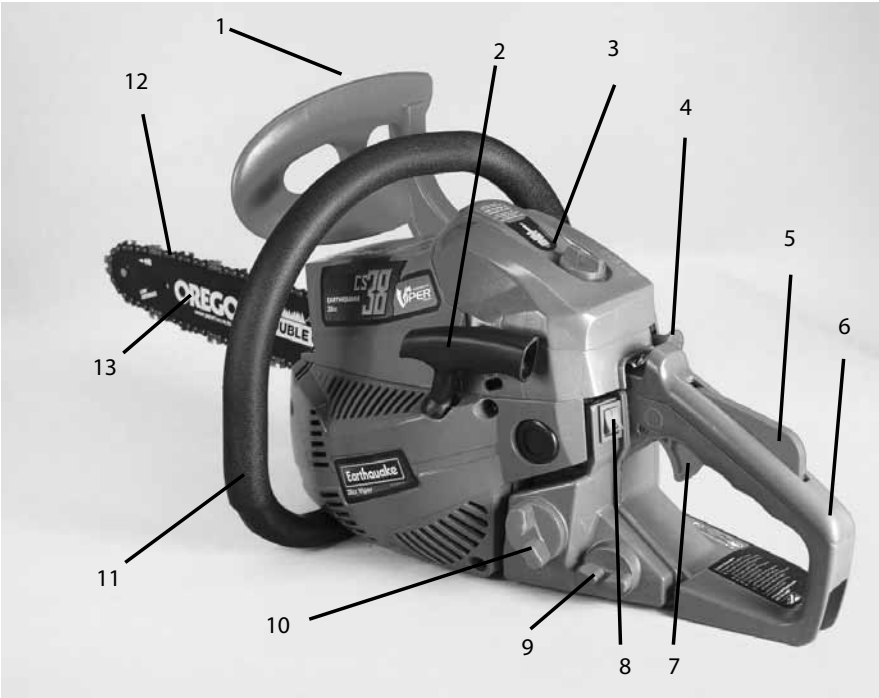
2. **Throttle Interlock:** This saw is equipped with a throttle interlock designed to prevent accidental engagement of the throttle control. The throttle interlock is disengaged by depressing the red tab on top of the rear handle. This is usually accomplished when the user grasps the rear handle to operate the saw.

3. **Chain Catcher:** Each saw is equipped with a chain catcher beneath the clutch cover. If the chain is ever thrown from the guide bar, or if the chain breaks, the chain catcher is designed to capture the chain and prevent it from whipping back toward the operator.

NOTE: Inspect the chain catcher before each use. Replace if missing or badly damaged.

4. **Kickback Reduction Guide Bar and Saw Chain:** This saw has been equipped with a Double Guard® 91 guide bar and 91P S-Series Low Kickback saw chain by Oregon®. The features of this bar and chain combination are design to reduce the risk of kickback. To maintain adequate kickback prevention, only use these components when replacing guide bar or saw chain. (Refer to the Maintenance section of this manual for full details.)

FEATURES



- | | | |
|-------------------------------|---------------------|-----------------|
| 1. Front hand guard and brake | 7. Throttle trigger | 13. Guide bar |
| 2. Starter handle | 8. Engine switch | 14. Primer Bulb |
| 3. Air filter cover | 9. Oil tank cap | |
| 4. Choke knob | 10. Fuel tank cap | |
| 5. Throttle trigger lock-out | 11. Front handle | |
| 6. Rear handle | 12. Saw chain | |

SPECIFICATIONS

SPECIFICATIONS	
Displacement	37.2cc (CS3814/CS3816) 40.1cc (CS4116)
Fuel	Mixture (Unleaded Gasoline, 50: two-cycle oil 1)
Fuel tank capacity	310 ml
Chain oil	Bar chain oil for proper season
Oil tank capacity	210 ml
Carburetor	Diaphragm type
Fuel consumption at maximum engine power	560 g/kw·h
Idling speed	3000 rpm max / rpm +/- 150
Maximum speed with cutting attachment	11,000 r/min
Ignition system	CDI with timing advance function
Spark Plug	Champion CJ7Y or equivalent
Oil feeding system	Mechanical plunger pump with adjuster
Sprocket Teeth x Pitch	6T x .375"
Dimensions (L x W x H)	710-76 x 235 x 240 mm 28" - 30" x 9.25" x 9.5"
Dry weight (without guide bar and chain, empty tanks)	9.26 lb
Guide Bar Type	Sprocket Nose
Guide Bar Size	14" (CS3814) 16" (CS3816/CS4116)
Saw Chain Type	Oregon® 91VG or 91P S52 (CS3814) Oregon® 91VG or 91P S57 (CS3816/4116)
Pitch	3/8" Low Profile
Gauge	.050"

Specifications are subject to change without notice.



SOUND AND VIBRATION LEVELS

Model	2006/42/EC Operator Ear L _{PA} (dBA)	2006/42/EC Sound Power Level L _{WA} (dBA)	2006/42/EC Hand/Arm Vibration Max m/s ²
CS38	100	110	10.5
CS41	100	110	10.5
CS45	102	110	12.5

Sound levels tested in accordance with ISO3744 & ISO 11201 - Grade 2 (Engineering) Method. Readings taken with engine at full throttle.
 EAV = Exposure Action Value, ELV = Exposure Limit Value

ASSEMBLY

The Earthquake® chainsaw carton includes the following

- Power Unit: Pre-assembled engine, handles, fuel tank, oil tank, and chain brake handle.
- Guide Bar: Oregon Double Guard 14" or 16", depending on the saw model.
- Saw Chain: Oregon 91P or 91VG S52 (14" models) or Oregon S57 (16" models)
- "Scwrench" Multi-tool: Combination plug/bar wrench and screwdriver
- Bar Scabbard: Plastic guard that fits over the guide bar and saw chain.

ASSEMBLING YOUR CHAINSAW

1. Carefully remove all items from the packaging. Place the power unit on a flat, stable work surface with the muffler facing to your right.
2. Pull back (toward the forward handle) on the brake lever to ensure that the chain brake is disengaged.
3. Using the "Scwrench" multi-tool, loosen and remove the bar nuts securing the clutch cover to the power unit. Set the clutch cover aside. Tip: If working in the field, place the bar nuts in the clutch cover to keep from losing them in grass or foliage.
4. Remove the plastic shipping spacer from the bar studs. The purpose of this spacer is to keep the clutch cover in the correct position when the guide bar is not installed on the power unit. **SEE FIGURE 1.**
5. Install the guide bar on the bar studs, and slide the bar back until it comes into contact with the drive sprocket.
6. Carefully remove the saw chain from its package. Stretch the chain out into a long horizontal loop. **The cutting teeth on the top length of chain should face away from the power unit.** The cutting teeth on the bottom length of the chain should face toward the power unit. Protective gloves should be used when handling the chain.
7. Wrap the chain around the drive sprocket first, and lay the drive links of the chain into the groove along the outer perimeter of the guide bar. Lay the chain over the nose (tip) of the guide bar.
8. Slide the bar forward until the bar mates with the tensioning tab. Make sure that the drive links of the chain are seated within the groove around the perimeter of the bar. If the bar will not slide forward far enough, use the screwdriver end of the Scwrench to turn the tension screw counter-clockwise. The tension screw is located on the front of the power unit, next to the guide bar.
9. Replace the clutch cover over the bar, and turn the bar nuts

WARNING

FAILURE TO PROPERLY TENSION THE CHAIN COULD RESULT IN DAMAGE TO THE UNIT OR SEVERE INJURY OR DEATH. OVERTENSIONING COULD CAUSE DAMAGE TO THE SAW'S POWER UNIT OR GUIDE BAR. LACK OF TENSION COULD CAUSE THE CHAIN TO DISENGAGE THE BAR COMPLETELY, ALLOWING IT TO WHIP BACK WHERE IT COULD CONTACT THE OPERATOR CAUSING SEVERE INJURY OR DEATH.



Figure 1

- onto the bar studs. Only finger tighten the bar nuts at this step.
10. Locate the tension screw on the front of the power unit next to the guide bar. Use the Scwrench to turn the tension screw clockwise. This will take the slack out of the saw chain. When properly tensioned, two conditions must be met:
 - The chain should not hang or droop away from the guide bar.
 - You should be able to pull the chain slightly away from the guide bar, but not so far as to be able to disengage the drive links from the groove around the perimeter of the bar.
11. Pull up on the guide bar's nose and use the Scwrench to tighten the bar nuts. Check that the chain spins freely around the bar by hand. If there is resistance, the chain may be too tight.
12. Place the bar scabbard over the guide bar and saw chain. This guard will help to protect the user from the sharp cutting teeth as well as help keep the cutting teeth sharp when the saw is not in use.
13. Check the tension of the saw chain frequently during use, especially during the first two hours of use on a new chain. Re-tension as needed.
14. Always release the tension in the chain after finishing work and before the saw chain and guide bar cool completely. As the saw chain heats up during operation, it will expand and stretch, requiring re-tensioning on occasion. As the saw cools down the saw chain will shrink, and if left tensioned, could cause severe and permanent damage to the guide bar or the power unit's drive components.

OPERATION

FILLING FUEL TANK

1. Shut off engine and allow engine to completely cool before refilling the fuel tank.
2. Move to a well-ventilated area, outdoors, away from flames and sparks.
3. Clean debris from area around the fuel cap.
4. Loosen fuel cap slowly.
5. Carefully add fuel without spilling.
6. Do not fill gas tank completely full; allow space for fuel to expand.
7. Immediately replace fuel cap and tighten. Wipe off spilled fuel and allow to dry before starting engine.

The saw chain needs to stay lubricated during operation of the unit. Aside from the fuel reservoir on the chainsaw, there is also a bar and chain oil reservoir. Use only oil that has been designed specifically for use with chainsaws. Bar and chain oil has chemical properties which allow it to adhere to the saw chain and provide better lubrication while the chain is in motion.

The saw is equipped with an adjustable automatic oiler. The oiler and oil reservoir are designed such that a full tank of fuel will run out before a full tank of oil. This ensures that the bar and chain will receive a constant flow of oil during operation. Always top off your oil reservoir when re-fueling.

FILLING THE BAR AND CHAIN OIL RESERVOIR

1. While the engine is cool for re-fueling, clean debris from area around the bar and chain oil cap.
2. Loosen oil cap slowly.
3. Carefully add bar and chain oil without spilling.
4. Do not fill oil reservoir completely full; allow space for oil to expand.
5. Replace cap and tighten. Wipe off any spilled oil before starting engine.

Note: Do not use waste or recycled oil. Waste or recycled oil could contain contaminants which will cause damage to the oil pump.

WARNING

CHAIN BRAKE WILL NOT PREVENT A KICKBACK. IN THE EVENT OF A KICKBACK, THE CHAIN BRAKE IS DESIGNED TO REDUCE THE RISK OF INJURY TO THE OPERATOR.

WARNING

DO NOT MODIFY OR ALTER THE FUNCTIONALITY OF THE THROTTLE INTERLOCK IN ANY WAY. DOING SO WILL ALLOW ACCIDENTAL ENGAGEMENT OF THE THROTTLE WHICH WILL RESULT AN UNEXPECTED OPERATION OF THE SAW CHAIN.

WARNING

CHAIN CATCHER IS INTENDED TO PREVENT INJURY IN THE EVENT OF A CHAIN MALFUNCTION. NEVER OPERATE A SAW WITHOUT A CHAIN CATCHER. REPLACE IF MISSING OR BADLY DAMAGED.

PRE-START INSPECTION

1. Check that all safety guards are in place and all nuts and bolts are secure.
2. Inspect air cleaner for cleanliness.
3. Check the fuel supply. Fill the fuel tank no closer than .5" from top of tank to provide space for expansion.
4. Check the bar and chain oil level.
5. Be sure spark plug wire is attached and spark plug is tightened securely.
6. Examine underneath and around engine for signs of oil or fuel leaks.
7. Inspect fuel hoses for tightness and fuel seepage.
8. Look for signs of engine damage.
9. Remove excessive debris from muffler area and recoil starter.

START-UP

Before starting the engine, inspect the immediate area. Check that there are no bystanders nearby. Make sure that you have a firm and stable footing and remove tripping hazards. Clear all objects that the saw chain could catch on and cause a pull-in, push-back, or kickback reaction.

There are two safe and approved positions for cold-starting the saw.

Starting on the ground:

1. Place saw on a flat, stable patch of ground free of vegetation and check that the saw chain is not in contact with the ground.
2. Place right foot on the base of the rear handle and firmly grip the forward handle with left hand.

Starting in a raised, standing position:

1. Place the rear handle between knees or thighs and firmly grip the forward handle with left hand.

COLD ENGINE START:

1. Grip the rear handle with right hand, depressing the throttle interlock with right palm, and pull the throttle control to check for smooth operation and to reset the choke to the run position.
2. Depress the primer (purge) bulb until it fills with fuel.
3. Pull the choke all the way out to the CHOKE position.

NOTE: This will close the choke and lock the throttle in the starting position.

4. Put the power unit's ignition switch in the ON position.

NOTE: Signified by a vertical line "I"

WARNING

DO NOT RUN A SAW THAT IS NOT PROVIDING PROPER OIL COVERAGE UNDER ANY CIRCUMSTANCES. DOING SO WILL RESULT IN PERMANENT DAMAGE TO THE GUIDE BAR AND SAW CHAIN.

5. Grasp the starter handle firmly with right hand and slowly pull until it provides resistance. Without letting the starter handle retract, pull rope with a rapid full arm stroke. Let it return to its original position very slowly until unit fires or runs. Repeat this step every time the starter rope is pulled.

NOTE: If engine fails to start after 5-6 pulls, push primer 1 time and pull starter rope again.

6. After engine starts running, place grasp rear handle with right hand and remove right foot from the base of the rear handle.
7. Depress throttle interlock with right palm and pull throttle control with right index finger.

NOTE: This will automatically reset the choke to the RUN position.

WARM ENGINE START:

1. Pull choke all the way out to the CHOKE position.
2. Continue with Step 4 of Cold engine starting

HOT ENGINE START:

1. Continue with Step 4 of Cold engine starting.
2. If engine does not fire, refer to Step 1 of Warm engine starting.

STOPPING THE ENGINE:

1. Let the saw idle for up to one minute to continue blowing air through the engine to aid the cool-down process. Doing so will help prolong the life of the saw.

NOTE: The engine is still running. Always maintain a firm, controlling grip on the unit while the engine is running.

2. Put the unit's ignition switch in the OFF position.

NOTE: Signified by an "O"

3. After the saw is off and has cooled down, remove tension from the chain.

MAINTENANCE AND STORAGE

Good maintenance is essential for safe, economical, and trouble-free operation. It will also help reduce air pollution. To help you properly care for your engine, the following pages include simple maintenance procedures using basic hand tools. Other service tasks that are more difficult, or require special tools, are best handled by professionals and are normally performed by a technician or other qualified mechanic.

Maintenance, replacement or repair of the emissions control devices and systems may be performed by any non-road engine repair establishment or individuals. However, items must be serviced by an authorized dealer to obtain “no charge” emissions control service.

The maintenance schedule applies to normal operating conditions. If you operate your engine under unusual conditions (such as sustained high-load or high-temperature operation) or use it in unusually wet or dusty conditions, consult your servicing dealer for recommendations applicable to your individual needs and use.

Maintenance Item		Every Refueling	Every 8 Hours	Every 20 Hours	Each Year
Check Engine and Check Hardware		X	X		
Air Filter (See Air Filter Section)	Check		X		
	Clean			X	
	Replace			X	X
Spark Plug (Gap .025" or 0,0635mm) See Spark Plug Section	Check/Adjust			X	
	Replace				X
Chain Tension	Check/Adjust	X			
Chain (See Chain Sharpening Section)	Check/Sharpen	X			
	Clean	X			
	Replace				X
Guide Bar (See Check Guide Bar Section)	Check	X			
	Clean		X		
Oiler Port	Clean		X		
Drive Sprocket (See Drive Sprocket Section)	Check/Clean	X	X		

BAR AND CHAIN OIL

The saw is equipped with an adjustable chain oiler. The oil pump, driven by the drive sprocket, will only pump oil when the engine is running at high enough speeds to engage the clutch and rotate the chain. Furthermore, the flow of oil is adjustable to accommodate variations in chain oil due to temperature.

To adjust the oil pump, insert a screwdriver in the small notch beneath the clutch and drive sprocket. To increase the flow of oil, turn the screwdriver counter-clockwise. To decrease the flow of oil, turn the screwdriver clockwise. For optimum performance, use a higher rate of flow with thicker oil or in colder temperatures, and a lower rate of flow with thinner oil or in warmer temperatures.

The guide bar and saw chain need to be well lubricated during operation to prevent permanent damage from friction and heat. Be sure to check the oil supply to the bar and chain before use.

1. After starting the engine, hold the saw up with the chain suspended in front of or above a test surface.
2. Run the engine at about half throttle.
3. Oil should be flung off of the rotating chain onto the test surface.

If the saw chain seems dry, but there is some oil present on the bar or test surface, the oil pump may be set too low. Increase the setting by turning the adjustment screw counter-clockwise. If the saw chain and guide bar are dry and there is no oil on the test surface, the oiler port and guide bar may need cleaning. Remove the clutch cover, bar, and chain, and clean under the clutch cover with a brush and clean the guide bar with a wire or small screwdriver.

Reassemble and retest for oil presence. If no oil is present after adjusting the oiler setting and cleaning the oiler port, the oil pump may not be functioning. Discontinue use of the unit and contact your local authorized service center or customer service for assistance.

In compliance with EPA regulations, any adjustments to the carburetor must be made by an authorized service center. An authorized service center is capable of troubleshooting carburetor problems, adjusting carburetors to perform correctly, and adjusting carburetors to compensate for altitude.

IMPORTANT NOTE: Carburetor is set at factory. Further adjustment must be performed by an authorized service center. Contact customer service for a list of authorized service centers.

ENGINE MAINTENANCE

COOLING FINS

Cooling fins, air inlets, and linkages must be free from any debris before each use.

AIR FILTER

Never run engine without air cleaner properly installed. Added wear and engine failure may occur if air cleaner is not installed on engine.

Service air cleaner every 3 months or after 20 hours of operation. Clean filter daily in extremely dusty conditions.

Steps for Cleaning Air Filter

1. Remove the air cleaner cover by turning the thumb screw on top of the power unit counter-clockwise and lifting the cover off.
2. To remove the filter, lift the filter element off of the threaded stud.
3. Larger surface dust and dirt particles can be removed from the filter element by lightly tapping a corner of the filter against a hard surface.
4. To clean finer dust trapped in the mesh screens, split the filter by inserting a flat screwdriver between the dogs on one corner of the filter element and twisting.
5. Using an air compressor at a low pressure or a store-bought compressed air duster, blow air through the mesh from the inside.
6. Press the two filter halves back together by squeezing around the rim. Do not place pressure on the mesh or a puncture could occur.
7. Place the filter back over the threaded rod, making sure to seat the filter on the O-ring on the carburetor.
8. Place the air cleaner cover back on the saw body and turn the thumb screw clockwise until finger tight.

SPARK PLUG

The recommended spark plug is a NGK BPM47A, Champion RJ7Y, or Torch L7RTC.

Steps for Removing the Spark Plug

1. Remove the air cleaner cover by turning the thumb screw on top of the power unit counter-clockwise and lifting the cover off.
2. Disconnect the spark plug cap and clean any debris from around the spark plug area.
3. Remove spark plug using the "Scwrench" multi-tool. Replace if any of the following occur; pitted electrodes, burned electrodes, cracked porcelain, or deposits around the electrodes.
4. After analysis, seat spark plug and turn by hand until finger tight.

Installing Spark Plug

1. Reinstall original spark plug, tighten additional 1/2 turn.
2. Installing new spark plug, adjust spark plug gap to .025" (0,635mm) and tighten additional 1/8 – 1/4 turn.

NOTE: Loose spark plug may overheat and damage engine. Over tightened spark plug may damage threads in the cylinder head.

CARBURETOR

Never tamper with the factory setting of the carburetor.

SAW CHAIN TENSION MAINTENANCE

Keeping the saw chain at the proper tension is necessary for safe operation and will help prolong the life of the saw chain and the guide bar.

1. Shut the power unit off and allow the saw to cool.
2. The saw chain should not hang down from the bottom edge of the guide bar.
3. Wearing protective gloves, hold the guide bar with one hand and pinch the chain with the free hand.
4. Pull down on the chain. It should pull away from the bar, but the drive links should not disengage the groove around the perimeter of the guide bar.
5. Add or remove tension as needed.
6. Hold up on the guide bar nose and tighten the bar nuts with the Scwrench.

Add tension at the beginning of every work session.

Check tension at every re-fueling.

Remove tension at the end of every work session.

SAW CHAIN MAINTENANCE

Keeping the saw chain sharp is a critical component to operating a chainsaw. A dull saw chain will drastically reduce cutting efficiency and can pose certain safety hazards.

- Avoid unintentionally striking foreign objects. This can cause a kickback, but will also reduce the sharpness or permanently damage the saw chain.
- Avoid cutting wood that has been drug on the ground. Sand, dirt, and mud stuck to the log will dull the saw chain.
- Avoid cutting wood that may contain metal such as nails, staples, or wire.
- Avoid cutting all the way through when bucking a log. This could allow the chain to come into contact with the soil below, dulling the saw chain.

Sharpening Saw Chain Cutters (Teeth)

The saw chain included with this saw is a 91VG Chamfer Chisel™ or 91P Chamfer Chisel™ and requires a 5/32 inch round file (included in the original packaging).

When to have your saw chain sharpened:

- Sawdust becomes powder-like
- You need to force the saw into the cut
- The saw tends to cut through at an angle instead of making a straight cut
- Vibration increases
- Fuel consumption increases

Always inspect your saw chain prior to sharpening. Check for the following:

- Bent or burred drive links
- Broken cutters or tie-straps
- Loose rivets or broken rivet heads

If broken components are found, discard the chain immediately.

To properly sharpen you saw chain:

1. Be sure to have the correct size file and file guide.
2. When hand filing it's important that 1/5, or 20 percent, of the file's diameter is always held above the cutter's top plate.
3. Keep the correct top-plate filing angle line on your file guide parallel with the chain.
4. Sharpen all cutters on one side of the chain first. Sharpen by filing from the inside of each cutter to the outside. After sharpening the first side, turn the saw around and repeat the process for cutters on the other side of the chain.
5. If the chrome surface of the top or side plates is damaged, file back until such damage is removed.
6. Keep all cutters at an equal length. Begin filing on the cutter with the most damage, and file all subsequent cutters to the same length.
7. DO NOT alter or file the tops of bumper tie strap links (between each cutter) on the 91VG chain.

8. File **ONLY** on the "Push" stroke, do not pull the file against any metal object as this will damage the file.

It is also important to maintain the depth gauge setting throughout the lifespan of the saw chain. 91VG and 91P chains use a depth setting of .025". This setting should be checked and corrected every third or fourth time the saw chain is sharpened.

1. Place the correct depth-gauge tool over the chain, with one depth gauge protruding through the slot in the tool.
2. If the depth gauge extends above the slot, use a flat file to bring the depth gauge flush with the top of the tool. Use only the push stroke of the file. Pulling the file will damage the file.
3. Make sure to round over the leading edge of the depth gauge to prevent kickbacks and tie strap breakage.

STORAGE

When storing the chainsaw for periods of three months or longer:

1. Empty and clean the fuel tank in a well-ventilated area.
2. Dispose of fuel properly. Local regulations may apply. Contact your local government or hazardous material service for instructions.
3. Run the engine until the carburetor is dry. This will draw the fuel out of the carburetor, preventing costly repairs to clean gummed fuel from the fuel system.
4. Remove the saw chain and guide bar. Clean them thoroughly and treat with a rust preventative before storing.
5. Thoroughly clean the chain saw. Remove sawdust and excess bar and chain oil from the clutch cover and the area surrounding the clutch. Pay close attention when cleaning the cylinder cooling fins and the air filter.
6. Store the unit in a dry location, out of the reach of children and other unauthorized users.

TROUBLESHOOTING & REPAIR

At Earthquake®, we build quality and durability into the design of our products; but no amount of careful design by us, and careful maintenance by you, can guarantee a repair-free life for your Earthquake® chainsaw. Most repairs will be minor, and easily fixed by following the suggestions in the troubleshooting guide in this section.

The guide will help you pinpoint the causes of common problems and identify remedies.

For more complicated repairs, you may want to rely on your retailer, an authorized service center or Earthquake®. A parts breakdown is located toward the end of this manual.

We will always be glad to answer any questions you have, or help you find suitable assistance. To order parts or inquire about warranty, call or e-mail us using the contact information found below.

ORDERING REPLACEMENT PARTS

Parts can be obtained from the store where the chainsaw was purchased or direct from the factory. To order parts visit www.getearthquake.com or call 1-800-345-6007.

For other general questions, you can e-mail us at info@ardisam.com.


Include the following information with your order:

- 1) Part numbers
- 2) Part description
- 3) Quantity
- 4) Model number and serial number

TROUBLESHOOTING AND REPAIR

TROUBLESHOOTING GUIDE

While normal care and routine maintenance will extend the life of your chainsaw, prolonged or constant use may eventually require that service be performed to allow it to continue operating properly. The troubleshooting guide below lists the most common problems, causes and remedies.

 **WARNING**

PRACTICE SAFETY AT ALL TIMES. ENGINE MUST BE TURNED OFF AND ALLOWED TO COOL, AND SPARK PLUG WIRE MUST BE DISCONNECTED AND SECURED BEFORE ATTEMPTING ANY MAINTENANCE OR REPAIR. FAILURE TO COMPLY WITH THIS SAFETY REQUIREMENT CAN RESULT IN SERIOUS PERSONAL INJURY TO YOU OR BYSTANDERS.

PROBLEM	CAUSE	REMEDY
Starting failure	<ul style="list-style-type: none"> • Check fuel for water or substandard mixture 	<ul style="list-style-type: none"> • Replace with proper fuel • Remove and dry the spark plug • Pull the starter again with no choke • Replace spark plug with a new plug
Lack of power / Poor acceleration / Rough idling	<ul style="list-style-type: none"> • Check for water or substandard mixture • Check air filter and fuel filter for clogging • Check carburetor for inadequate adjustment 	<ul style="list-style-type: none"> • Replace with proper fuel • Clean • Have an authorized service center adjust the carburetor.
Oil does not come out	<ul style="list-style-type: none"> • Check oil for substandard quality • Check oil passage and ports for clogging 	<ul style="list-style-type: none"> • Replace • Clean

If the unit seems to need further service, consult with an authorized service shop in your area.

CHAINSAW PARTS BREAKDOWN

FIGURE 1

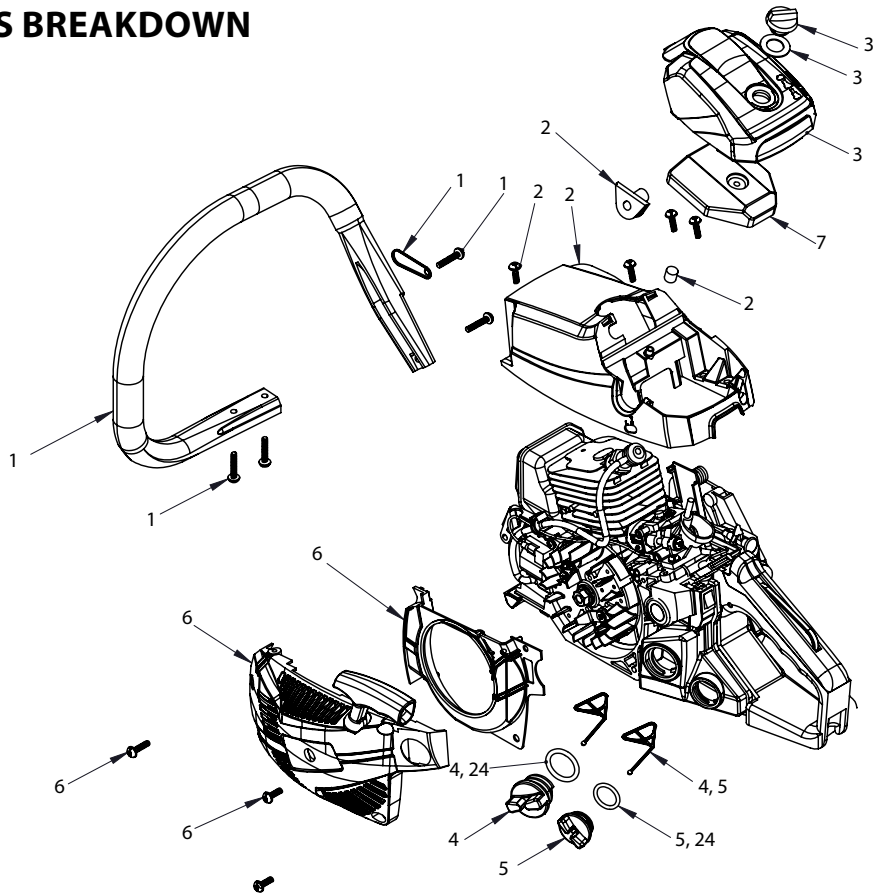


FIGURE 2

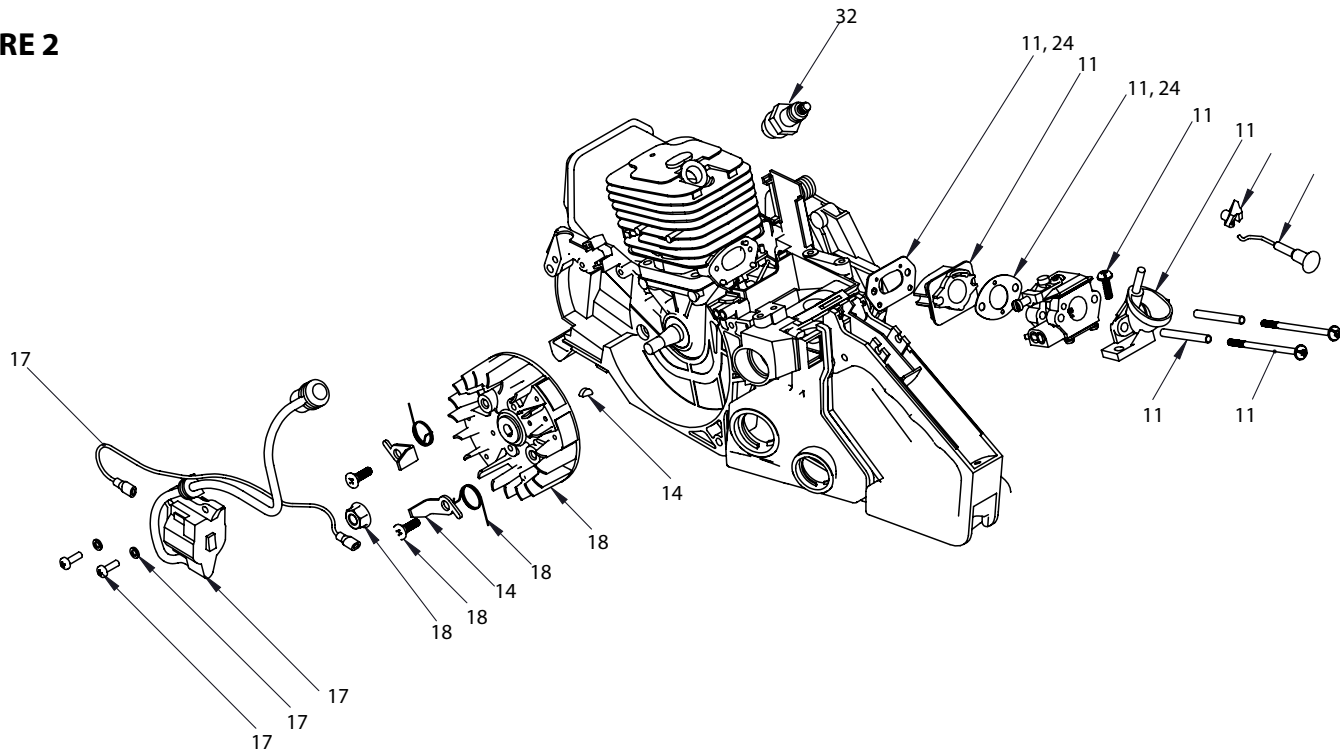


FIGURE 3

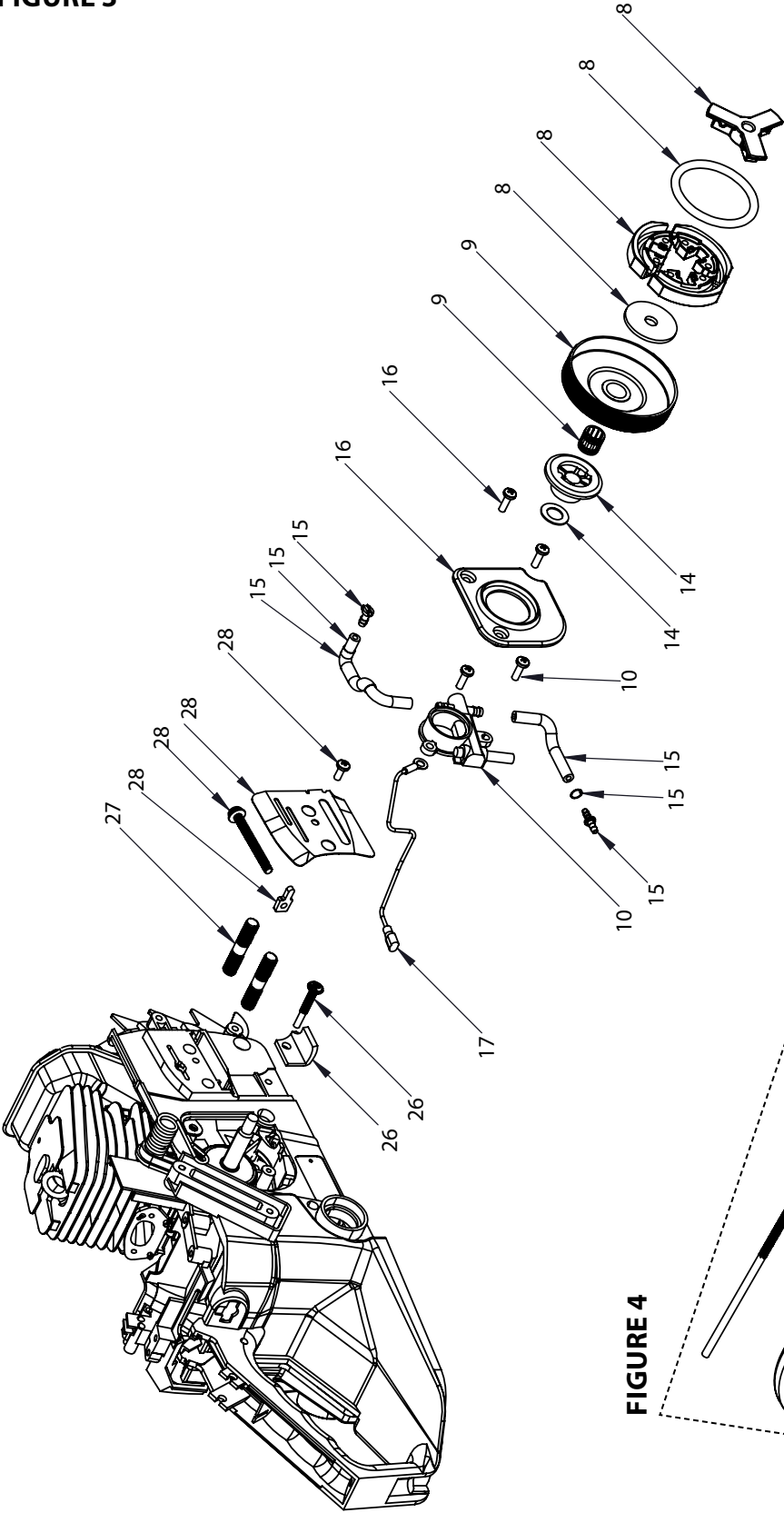


FIGURE 4

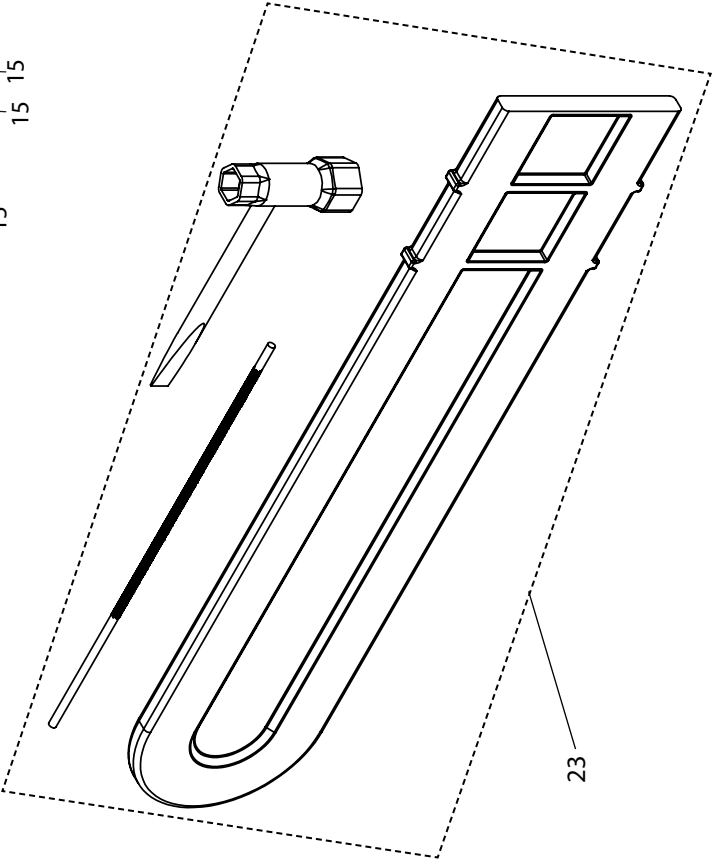


FIGURE 5

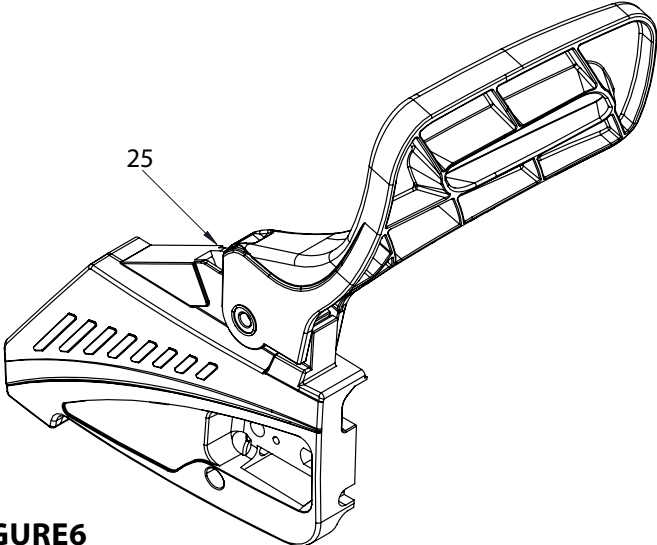
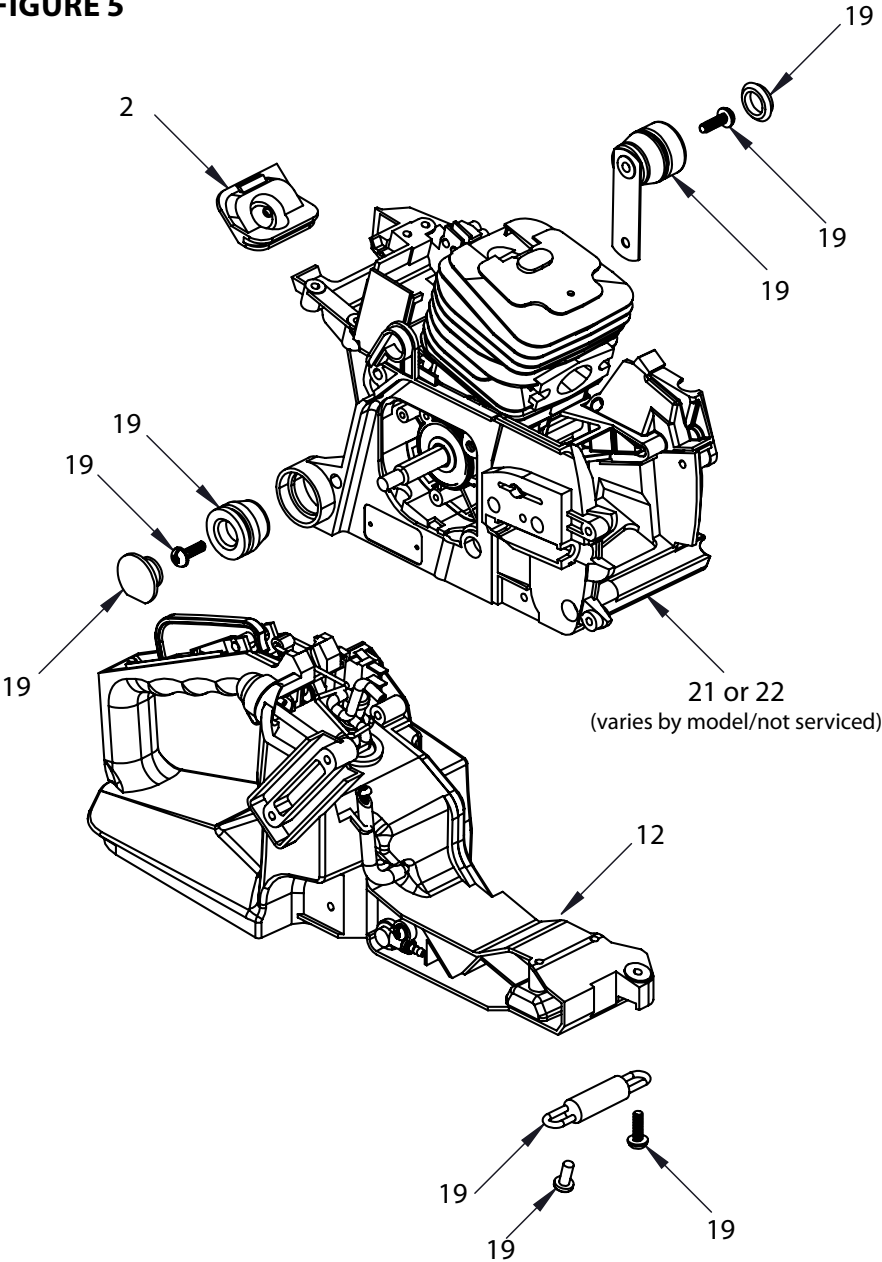


FIGURE 6

FIGURE 7

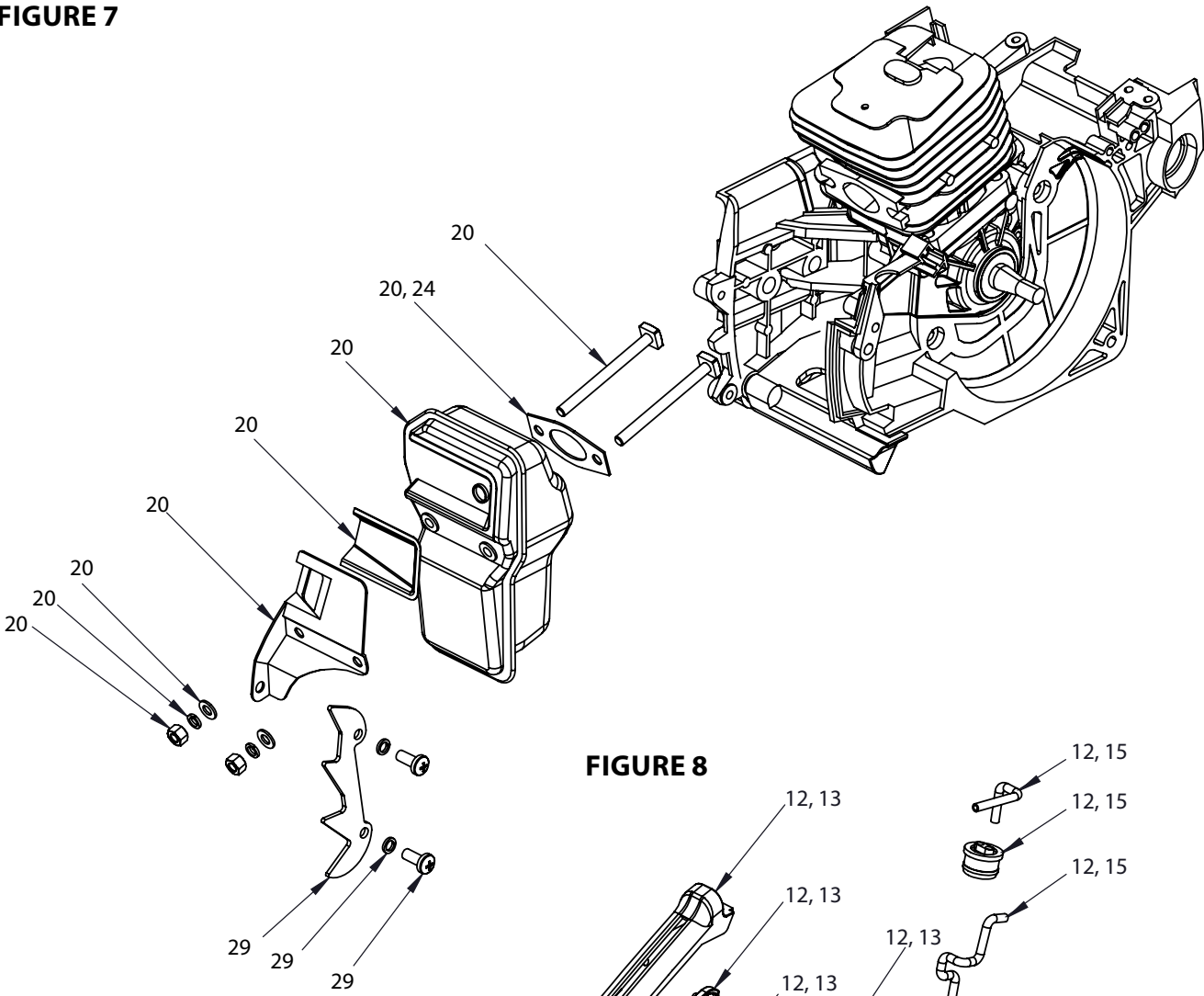
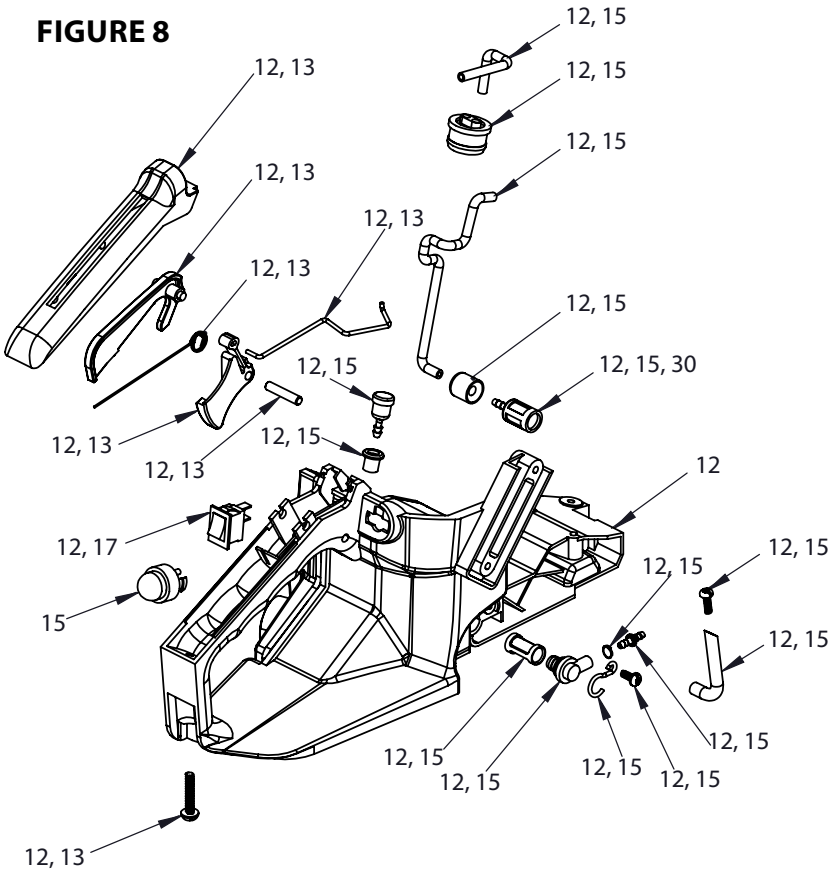


FIGURE 8



**PARTS BREAKDOWN
 CHAINSAW PARTS LIST**

KEY #	PART #	DESCRIPTION	QTY.
1	838108	KIT FORWARD HANDLE 38 AND 41CC	1
2	838106	ASSEMBLY CYLINDER SHROUD 38 AND 41CC	1
3	838136	KIT AIR CLEANER COVER 38 AND 41CC	1
4	838111	ASSEMBLY FUEL CAP 38 AND 41CC	1
5	838112	ASSEMBLY OIL CAP 38 AND 41CC	1
6	838107	KIT RECOIL CHAINSAW 38 AND 41 CC	1
7	838105	AIR FILTER CHAINSAW 38 AND 41 CC	1
8	838113	ASSEMBLY CLUTCH W/ WASHER 38 AND 41CC	1
9	838114	CLUTCH DRUM W/NEEDLE BEARING 38 AND 41CC	1
10	838116	KIT PUMP ADJUSTABLE OIL 38 AND 41CC	1
11	838118	KIT CARBURETOR REPLACEMENT 38 AND 41CC	1
12	3841CSKIT	KIT REPLACEMENT HANDLE AND TANK	1
13	838122	KIT TRIGGER ASSY 38 AND 41CC	1
14	838128	KIT WORM GEAR WITH SHIM 38 AND 41CC	1
15	838129	KIT COMPLETE OIL/FUEL LINES 38 AND 41CC	1
16	838130	KIT OILER COVER PLATE 38 AND 41CC	1
17	838132	KIT COMPLETE ELECTRICAL 38 AND 41CC	1
18	838133	KIT FLYWHEEL REPLACEMENT 38 AND 41CC	1
19	838134	KIT VIBRATION DAMPENING COMPLETE	1
20	838137	KIT MUFFLER COMPLETE 38 AND 41CC	1
21*	--	SHORT BLOCK 38CC CHAINSAW W/CHASIS	1
22*	--	SHORT BLOCK 41CC CHAINSAW W/CHASIS	1
23	10728	KIT CHAINSAW ACCESSORY PACK	1
24	10729	KIT CARBURETOR REPAIR AND ENGINE GASKETS	1
25	838100	ASSY CLUTCH COVER	1
26	838138	KIT CHAIN CATCHER 38 AND 41CC	1
27	838127	BAR STUDS	2
28	10825	KIT GUIDE BAR BASE	1
29	10573	KIT BUCKING SPIKE	1
30	FILTER	FUEL FILTER	1
31	838154	SCREW M4.8-1.6 TYPE B X 25 BLK OX	1
32	35906	SPARK PLUG L7RTC	1

* For ordering information, contact customer service for availability.

TO ORDER ANY REPLACEMENT PARTS, VISIT THE EARTHQUAKE® WEBSITE, WWW.GETEARTHQUAKE.COM.

CS_CE Declaration



EC DECLARATION OF CONFORMITY



Name and Address of the manufacturer: Ardisam Manufacturing Inc.
1690 Elm Street, Cumberland,
WI U.S.A 54829

Name and Address of person authorised to compile the technical file: Mr. C. Hindle, Ardisam Europe,
3 Appleyard Close, Swinton, Manchester. M27 8AZ
United Kingdom

Description of Equipment: Chain Saw

Model / Type: CS38, CS41, CS45

Serial No.: 00000000000000000000000000000000 - 50000000000000000000000000000000

Directives / Conformity Assessment Procedures: Machinery Directive (2006/42/EC) / Annex VIII
EMC Directive (2004/108/EC) / Art.10.1

Technical standards and specifications: EN ISO 11681-1

Declaration: The person signing below declares that the above named equipment fulfils all the relevant provisions of the stated directives.

Place of Declaration & Date: Ardisam Inc., Cumberland, WI. USA January 2012

Signed: 

Printed Name of Authorised Signatory: Robert Ruppel

Position in Company: Director of Engineering



EARTHQUAKE® CHAINSAWS

1-YEAR LIMITED WARRANTY

Terms and Conditions

PRODUCT WARRANTY: 1-YEAR LIMITED WARRANTY

Ardisam, Inc., a manufacturing company, warrants this **EARTHQUAKE® CHAINSAW** to be free from defects in the material or workmanship for a period of one year from the date of purchase. During the one-year warranty of this product, Ardisam will furnish, at their discretion, parts and labor to correct any defect caused by faulty material or workmanship. Any unit used in a commercial application is covered for a period of 90 days after purchase. This warranty applies to the original owner with a proof of purchase and is not transferable. For the warranty to be valid, the product must be registered online, or the warranty card must be filled out and received by Ardisam, Inc., within 30 days of purchase.

ENGINE WARRANTY: 2-YEAR LIMITED EMISSIONS CONTROL WARRANTY (SEE EXPLANATION OF EMISSIONS CONTROL WARRANTY PROVISIONS FOR DETAILS)

Ardisam, Inc., a manufacturing company warrants its Viper® Engines under a two-year limited warranty to be free from defects in materials and workmanship for the service life of the product not to exceed twenty four consecutive months from the date of purchase for consumer applications. As a Viper® small-engine owner, you are responsible for executing proper maintenance listed in your operating and maintenance instructions. The warranty period begins on the date of purchase by the first retail consumer or commercial end user, and continues for the period of time stated above.

* This warranty applies only to products which have not been subjected to negligent use, misuse, alteration, accident, unauthorized parts, failure to use proper fuel and oil, or if repairs have been performed at non-authorized service centers. This warranty supersedes all other warranties either expressed or implied and all other obligations or liabilities on our part. Ardisam, does not assume, and does not authorize any other person to assume for us, any liability in connection with the sale of our products. **To be at "No Charge," however, warranty work must be sent directly to Ardisam, Inc., or one of our authorized service centers and performed by them.**

To obtain warranty service and replacement instructions, you must contact our customer service department for warranty authorization. If you choose to ship your product to Ardisam for warranty repair, you must first have prior approval from Ardisam by calling our customer service department for a return material authorization number (RMA#). Under these circumstances, all items must be shipped prepaid. Ardisam will at no charge, repair or replace, at their discretion, any defective part which falls under the conditions stated above. Ardisam retains the right to change models, specifications and price without notice. This warranty applies to the original owner with a proof of purchase and is not transferable.

Explanation of Emissions Control Warranty Provisions

Viper® Engines are designed, built and equipped to meet all EPA requirements. It warrants that it is free from defects in material and workmanship that could cause failure to the warranted part; and that it is identical in all material respects to the engine described in the manufacturer's application for certification. When a warrantable condition exists, Ardisam will repair your engine at no cost to you, including parts and labor. The engine emissions label will indicate certification information. Purchasers located more than 100 miles from a Viper® authorized repair center in need of warrantable repair should contact customer service. If it is determined that warranted repair is indeed necessary, Ardisam, Inc., will cover the cost of shipping to an authorized Viper® repair center. All such requests must first be pre-approved by customer service prior to shipping.

Listed below are the parts covered by the emissions control systems warranty. Some parts listed below may require scheduled maintenance and are warranted up to the first scheduled replacement point for that part. See maintenance schedule in Maintenance and Storage section of manual for more details. Coverage under this warranty includes only the parts listed below (the emission and evaporation control systems) if so equipped:

- Air Filter Assembly (only to the first scheduled replacement point)
- Fuel Filter (only to the first scheduled replacement point)
- Carburetor
- Fuel Lines, Fuel Line Fittings and Clamps
- Fuel Metering Valve (if equipped)
- Evaporative System (if equipped)
 - Canister (if equipped)
 - Canister filter (if equipped)
 - Vapor hose (if equipped)
 - Orifice connector (if equipped)
 - Fuel tank
 - Fuel cap
 - Primer bulb canister (if equipped)
- Spark Plugs
- Magneto Ignition System
- Muffler Assembly

LIMITATIONS

The Emission Control Systems Warranty shall not cover any of the following:

- a) Repair or replacement required because of misuse or neglect, improper maintenance, repairs improperly performed or replacements not conforming to Ardisam, Inc., specifications that adversely affect performance and/or durability and alterations or modifications not recommended or approved in writing by Ardisam, Inc.
- b) Replacement of parts and other services and adjustments necessary for required maintenance at or after the first scheduled replacement point;
- c) Consequential damages such as loss of time, inconvenience, loss of use of the engine or equipment, etc.
- d) Diagnosis and inspection fees that do not result in eligible warranty service being performed; and
- e) Any add-on or modified part, or malfunction of authorized parts due to the use of add-on or modified parts.

These items will be covered for a period of **two years** from the date of the original purchase. Viper warrants that: the components are designed, built and equipped so as to conform with all applicable regulations adopted by the EPA; that they are free from defects in material and workmanship that could cause failure to the engine or other; and that the components used are identical in all material respects to the engine described in the manufacturer's application for certification. The warranty period begins on the date the engine is originally purchased.

MAINTENANCE AND REPAIR REQUIREMENTS

The owner is responsible for the proper use and maintenance of the engine. Ardisam, Inc. recommends that all receipts and records covering the performance of regular maintenance be retained in case questions arise. If the engine is resold during the warranty period, the maintenance records should be transferred to each subsequent owner. Ardisam, Inc. reserves the right to deny warranty coverage if the engine has not been properly maintained; however, Ardisam, Inc. may not deny warranty repairs solely because of failure to keep maintenance records.

Normal maintenance replacement or repair of emission control devices and systems may be performed by any repair establishment or individuals; however, warranty repairs must be performed by an Ardisam authorized service center. Any replacement parts or service that is equivalent in performance and durability may be used in non-warranty maintenance or repairs, and shall not reduce the warranty obligations of the engine manufacturer.

The warranty on emissions-related parts is as follows:

- Any warranted part that is not scheduled for replacement as required maintenance in the owner's manual supplied, is warranted for the warranty period stated above. If any such part fails during the period of warranty coverage, that part will be repaired or replaced at no charge to the owner. Any such part repaired or replaced under the warranty will be warranted for the remaining warranty period.
- Any warranted part that is scheduled only for regular inspection in the owner's manual supplied, is warranted for the warranty period. Any such part repaired or replaced under warranty will be warranted for the remaining warranty period.
- Any warranted part that is scheduled for replacement as required maintenance in the owner's manual supplied, is warranted for the period of time prior to the first scheduled replacement point for that part. If the part fails prior to the first scheduled replacement, the part will be repaired or replaced at no charge to the owner. Any such part repaired or replaced under warranty will be warranted for the remainder of the period prior to the first scheduled replacement point for the part.
- Add on or modified parts that are not exempted by the Air Resources Board may not be used. The use of any nonexempted add on or modified parts by the owner will be grounds for disallowing a warranty claim. The manufacturer will not be liable to warrant failures of warranted parts caused by the use of a nonexempted add on or modified part.



Earthquake®, Division of Ardisam, Inc.

1160 8th Avenue, PO Box 666

Cumberland, WI 54829

800-345-6007 | Fax 715-822-2223

E-mail: info@ardisam.com

All weights, specifications and features are approximate and are subject to change without notice. Due to continuous product improvements, product images may not be exact. Items used for props not included. Some assembly may be required.

Check for parts online at www.getearthquake.com or call 800-345-6007 M-F 8-5