

Warning, Offer of Sale

 **WARNING**

FAILURE OR IMPROPER SELECTION OR IMPROPER USE OF THE PRODUCTS AND/OR SYSTEMS DESCRIBED HEREIN OR RELATED ITEMS CAN CAUSE DEATH, PERSONAL INJURY AND PROPERTY DAMAGE.

This document and other information from Parker Hannifin Corporation, its subsidiaries and authorized distributors provide product and/or system options for further investigation by users having technical expertise. It is important that you analyze all aspects of your application including consequences of any failure, and review the information concerning the product or system in the current product catalog. Due to the variety of operating conditions and applications for these products or systems, the user, through its own analysis and testing, is solely responsible for making the final selection of the products and systems and assuring that all performance, safety and warning requirements of the application are met.

The products described herein, including without limitation, product features, specifications, designs, availability and pricing, are subject to change by Parker Hannifin Corporation and its subsidiaries at any time without notice.

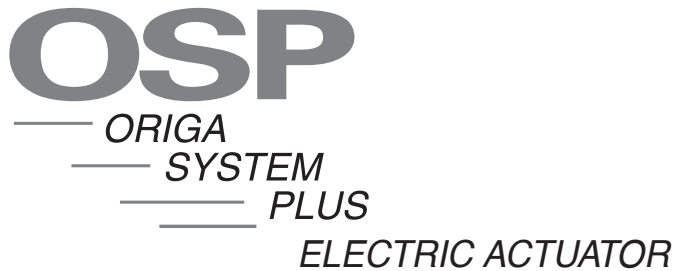
Offer of Sale

The items described in this document are hereby offered for sale by Parker Hannifin Corporation, its subsidiaries or its authorized distributors. This offer and its acceptance are governed by the provisions stated on the separate page of this document entitled "Offer of Sale".

© Copyright 2011, 2008 Parker Hannifin Corporation. All Rights Reserved



Parker Hannifin Corporation
Pneumatic Division
Wadsworth, Ohio
www.parker.com/pneumatics

Conversion Table

**2D & 3D
 CAD Drawings
 can be downloaded
 from website
www.parkeroriga.com**

ATTENTION!

Contact PARKER-ORIGA for sizing software
 and/or technical assistance

1-877-321-4736

Application Sheet on Page 162

All dimensions are in European-Standard.
 Please convert all in US-Standard.

Conversion Table

Multiply	By	To Obtain
Millimeters	.03937	Inches
Newtons	.2248	Lbs.(F)
Newton-Meters	8.8512	In-Lbs
Kilograms	2.205	Lbs.
Inches	25.4	Millimeters
Lbs.(F)	4.448	Newtons
In-Lbs	.113	Newtons-Meters
Lbs.	.45359	Kilograms

Notes



	Page
OSP Concept	2-3
Modular Components Overview	4-7
Applications for OSP-E Drives	8-9
Toothed Belt Driven	
– With Integrated Recirculating Ball Bearing Guide	
Series OSP-E..BHD 20, 25, 32, 50	
or integrated Roller Guide	11-14
Series OSP-E..BHD 25,32,50	15-24
– Vertical Linear Drive with Integrated Recirculating	
Ball Bearing Guide	25-28
Series OSP-E..BV 20, 25	25-34
– With Internal Plain Bearing Guide	35-38
Series OSP-E..B 25, 32, 50	39-46
Screw Driven	
– With Ball Screw Drive and	
Internal Plain Bearing Guide	47-50
Series OSP-E..SB 25, 32, 50	51-58
– With Trapezoidal Screw Drive	
and Internal Plain Bearing Guide	59-62
Series OSP-E..ST 25, 32, 50	63-68
Screw Driven with Piston Rod	
– With Ball Screw Drive and	
Internal Plain Bearing Guide	69-72
Series OSP-E..SBR 25, 32, 50	73-76
– With Trapezoidal Screw Drive	
and Internal Plain Bearing Guide	77-80
Series OSP-E..STR 25, 32, 50	81-84
Multi-Axis Systems	
Overview	85-88
Adapter Plates	89-97
Linear Guides	
Overview	99-100
Plain Bearing Guide SLIDELINE	101-102
Roller Guide POWERSLIDE	103-106
Aluminium-Roller Guide PROLINE	107-109
Heavy Duty - Guide HD	111-113
OSP-Accessories	
Overview	114
Motor Mountings	115
(Coupling Housing, Motor Flange, Motor Coupling)	
Series OSP-E..BHD	116
Series OSP-E..BV	117
Series OSP-E..B	118
Series OSP-E..SB, ..ST, ..SBR, ..STR	119
Motor Flange Configurator, Freely Selectable	120,121
Belt Gear, Freely Selectable	122
End Cap Mounting	
Series OSP-E..BHD	124,125
Series OSP-E..B, ..SB, ..ST	126
Series OSP-E..SBR, STR	127
End Cap Mounting for OSP-E with Guide	140, 141
Flange Mounting C	
Series OSP-E..SBR, ..STR	128
Profile Fastening for Multi-axis Systems	129
Mid-Section Support, Standard	
Series OSP-E..BHD	130
Series OSP-E..B, ..SB, ..ST, ..SBR, ..STR	131
Mid-Section Support for OSP-E with Guide	142
Profile Connection	
Mounting Rail OSP-E	132
T-Nut Profile OSP-E	133
Connection Profile OSP-E	134
Trunnion Mounting EN OSP-E..SBR, ..STR	135
Pivot Mounting EL OSP-E..SBR, ..STR	135
Clevis Mounting OSP-E..B, ..SB, ..ST	136
Clevis Mounting, Low Backlash	137
Inversion Mounting OSP-E..B, ..SB, ..ST	138
Piston Rod Mountings	
Piston Rod Eye	144
Piston Rod Clevis	144
Piston Rod Compensating Coupling	145
Magnetic Switches	148-151
SFI-plus Displacement Measuring System	152-154
Cable Cover	155
Gearboxes & Motor Mounts	157-159
Ordering Instructions	160-161
Application Sheet	162
GDL Aluminum Roller Guides	163-177
Safety Guide	180-181
Offer of Sale	182

The System Concept

Based on the concept of the rodless pneumatic cylinder, well proven worldwide, Parker-Origa now offers the complete solution for actuator systems. Developed for absolute reliability, high performance, easy handling and optimized design, ORIGA SYSTEM PLUS can master even the most difficult installation requirements.

ORIGA SYSTEM PLUS

is a completely modular concept, enabling pneumatic and electric actuators to be combined with guides and control modules for all kinds of applications.

The main system carriers are the actuators themselves, consisting of extruded aluminum profiles with double dovetail slots on three sides,

providing direct mounting for all modular options.




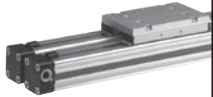
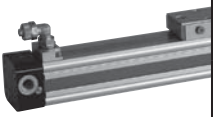


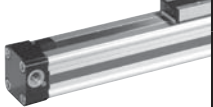


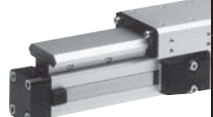

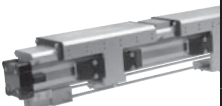



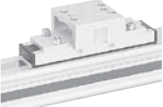
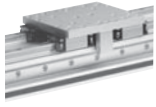


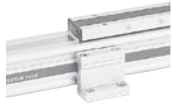

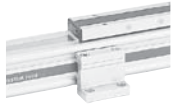

**MODULAR SYSTEM**

- **Electric Belt Actuator**
 - For applications with higher speeds and precise movement and positioning for longer travel.
- **Electric Screw Actuator**
 - For higher actuator power and precise movement and positioning.
- **Pneumatic Drive**
 - For a wide variety of applications with simple handling, combined with simple control possibilities and a broad power spectrum.
 - Ideal for fast, repetitive movements and simple positioning duties.
- 18 additional guide variants provide any required precision, performance and load capacity.
- Compact solutions, easy to install and simple to retrofit.
- Valves and control elements can be mounted directly on the pneumatic actuator.
- A wide range of mounting options provides great installation flexibility.

For additional information on rodless pneumatic actuators, please contact factory for OSP-P literature.

The System Concept

**OSP-E Series Electric Linear Drives and Guides
One Concept – Three Drive Options**

<p>Basic Actuator Standard Version</p> <ul style="list-style-type: none"> • Series OSP-P* • Series OSP-E Toothed Belt with internal Plain Bearing Guide Toothed Belt with Integrated Guides Vertical Toothed Belt with Integrated Recirculating Ball Bearing Guide • Series OSP-E Screw (Ball Screw, Trapezoidal Screw) 		<p>Inversion Mounting</p> <ul style="list-style-type: none"> • Series OSP-P* • Series OSP-E Belt • Series OSP-E Screw 	
<p>Air Connection on the End-face or both at One End</p> <ul style="list-style-type: none"> • Series OSP-P* 		<p>Duplex-Connection</p> <ul style="list-style-type: none"> • Series OSP-P* 	
<p>Clean Room Cylinder certified to DIN EN ISO 146644-1</p> <ul style="list-style-type: none"> • Series OSP-P* • Series OSP-E..SB 		<p>Multiplex-Connection</p> <ul style="list-style-type: none"> • Series OSP-P* 	
<p>Products in ATEX-Version Rodless Cylinders</p> 		<p>Linear Guides – SLIDELINE</p> <ul style="list-style-type: none"> • Series OSP-P* • Series OSP-E Screw 	
<p>Products in ATEX-Version Rodless Cylinders with Plain Bearing SLIDELINE</p> 		<p>Linear Guides – POWERSLIDE</p> <ul style="list-style-type: none"> • Series OSP-P* • Series OSP-E Belt • Series OSP-E Screw 	
<p>Cylinders for Synchronized Counter-rotation of the Cylinders</p> <ul style="list-style-type: none"> • Series OSP-P* 		<p>Linear Guides – PROLINE</p> <ul style="list-style-type: none"> • Series OSP-P • Series OSP-E Belt drive* • Series OSP-E Screw drive* 	
<p>Integrated 3/2-Way Valves</p> <ul style="list-style-type: none"> • Series OSP-P* 		<p>Linear Guides – STARLINE</p> <ul style="list-style-type: none"> • Series OSP-P* 	
<p>Clevis Mounting</p> <ul style="list-style-type: none"> • Series OSP-P* • Series OSP-E Belt • Series OSP-E Screw 		<p>Heavy Duty Guides – HD</p> <ul style="list-style-type: none"> • Series OSP-P* • Series OSP-E Screw 	
<p>End Cap Mounting</p> <ul style="list-style-type: none"> • Series OSP-P* • Series OSP-E Belt • Series OSP-E Screw 		<p>Brakes</p> <ul style="list-style-type: none"> • Active Brakes* • Passive Brakes* 	
<p>Mid-Section Support</p> <ul style="list-style-type: none"> • Series OSP-P* • Series OSP-E Belt • Series OSP-E Screw 		<p>Magnetic Switches</p> <ul style="list-style-type: none"> • Series OSP-P* • Series OSP-E Belt • Series OSP-E Screw 	
<p>SFI-Plus Displacement Measuring Systems</p> <ul style="list-style-type: none"> • Series OSP-P* • Series OSP-E Screw 		<p>SFI-Plus Displacement Measuring Systems</p> <ul style="list-style-type: none"> • Series OSP-P* • Series OSP-E Screw 	

* Information on Pneumatic Linear Drives, contact factory for literature

Overview

Drives	OSP-E20 -BHD ¹⁾	OSP-E25 -BHD ^{1),2)}	OSP-E32 -BHD ^{1),2)}	OSP-E50 -BHD ^{1),2)}	OSP-E20 -BV ³⁾	OSP-E25 -BV ³⁾	OSP-E25 -B ⁴⁾	OSP-E32 -B ⁴⁾	OSP-E50 -B ⁴⁾	
Effective action force F _A [N]	450 - 550	550 - 1070	1030 - 1870	1940 - 3120	450 - 650	1050 - 1490	50	100 - 150	300 - 425	
Max. Velocity v [m/s]	3.0	10.0 / 5	10.0 / 5	10.0 / 5	3.0	5.0	2.0	3.0	5.0	
Integrated Magnets	O	O	O	O	-	-	O	O	O	
Free choice of stroke length [mm] **	1 - 5760	1 - 7000	1 - 7000	1 - 7000	1 - 1000	1 - 1500	1 - 3000	1 - 5000	1 - 5000	
Temperature range [°C]	-30 - +80	-30 - +80	-30 - +80	-30 - +80	-30 - +80	-30 - +80	-30 - +80	-30 - +80	-30 - +80	
Tandem Version	O	O	O	O	O	O	O	O	O	
Bi-parting Version	O	O	O	O	-	-	O	O	O	
Stainless steel parts	X	X	X	X	X	X	X	X	X	
Integrated planetary gearbox LPB***	-	O	O	O	-	-	-	-	-	
Self-Guidance										
F [N]	1600	3000 / 986	10000 / 1348	15000 / 3704	1600	3000	160	300	850	
M _x [Nm]	21	50 / 11	120 / 19	180 / 87	20	50	2	8	16	
M _y [Nm]	150	500 / 64	1000 / 115	1800 / 365	100	200	12	25	80	
M _z [Nm]	150	500 / 64	1400 / 115	2500 / 365	100	200	8	16	32	
Slideline										
F [N]	-	-	-	-	-	-	-	-	-	
M _x [Nm]	-	-	-	-	-	-	-	-	-	
M _y [Nm]	-	-	-	-	-	-	-	-	-	
M _z [Nm]	-	-	-	-	-	-	-	-	-	
Proline										
F [N]	-	-	-	-	-	-	986	1348	3582	
M _x [Nm]	-	-	-	-	-	-	19	33	128	
M _y [Nm]	-	-	-	-	-	-	44	84	287	
M _z [Nm]	-	-	-	-	-	-	44	84	287	
Powerslide										
F [N]	-	-	-	-	-	-	910 - 1190	1400 - 2300	3000 - 4000	
M _x [Nm]	-	-	-	-	-	-	14 - 20	20 - 50	90 - 140	
M _y [Nm]	-	-	-	-	-	-	63 - 175	70 - 175	250 - 350	
M _z [Nm]	-	-	-	-	-	-	63 - 175	70 - 175	250 - 350	
HD-Guide (Heavy Duty)										
F [N]	-	-	-	-	-	-	-	-	-	
M _x [Nm]	-	-	-	-	-	-	-	-	-	
M _y [Nm]	-	-	-	-	-	-	-	-	-	
M _z [Nm]	-	-	-	-	-	-	-	-	-	
Accessories										
Multi-Axis System										
Connecting elements	O	O	O	O	O	O	O	O	O	
Connecting shaft	O	O	O	O	O	O	O	O	O	
Special Drives										
Clean Room Cylinders	X	X	X	X	X	X	X	X	X	
Mountings										
Clevis Mounting	X	X	X	X	X	X	O	O	O	
End Cap Mounting / Midsection Support	O	O	O	O	X	X	O	O	O	
Inversion Mounting	X	X	X	X	X	X	O	O	O	
Adapter Profile / T-Nut Profile	O	O	O	O	X	X	O	O	O	
Magnetic switches										
Reed Switches RS (NO, NC)	O	O	O	O	O	O	O	O	O	
Electronic Switches ES (PNP, NPN)	O	O	O	O	O	O	O	O	O	
Measuring systems										
SFI-plus Displacement Measuring System	X	X	X	X	X	X	X	X	X	
Motor package (stepper / servo)										
	O	O	O	O	O	O	O	O	O	
Gearbox										
Planetary gear and angular gear	O	O	O	O	O	O	-	-	-	

= Standard version
 = Option
 X = Currently not available
 * = other temperature ranges on request
 ** = exc. safety clearance from mechanical end position
 other stroke lengths on request
 *** = ratio i = 3, 5, 10

¹⁾ = Linear Drive with Toothed Belt and Integrated Recirculating Ball Bearing Guide
²⁾ = Linear Drive with Toothed Belt and Integrated Roller Guide
³⁾ = Vertical Linear Drive with Toothed Belt and Integrated Recirculating Ball Bearing Guide
⁴⁾ = Linear Drive with Toothed Belt and Internal Plain Bearing Guide
⁵⁾ = Linear Drive with Ball Screw Drive and Internal Plain Bearing Guide
⁶⁾ = Linear Drive with Trapezoidal Screw Drive and Internal Plain Bearing Guide
⁷⁾ = Linear Drive with Ball Screw Drive, Internal Plain Bearing Guide and Piston Rod
⁸⁾ = Linear Drive with Trapezoidal Screw Drive, Internal Plain Bearing Guide and Piston Rod

Overview

**OSP-E Series Electric Linear Drives and Guides
Modular Components**

	OSP-E25 -SB ⁵⁾	OSP-E32 -SB ⁵⁾	OSP-E50 -SB ⁵⁾	OSP-E25 -ST ⁶⁾	OSP-E32 -ST ⁶⁾	OSP-E50 -ST ⁶⁾	OSP-E25 -SBR ⁷⁾	OSP-E32 -SBR ⁷⁾	OSP-E50 -SBR ⁷⁾	OSP-E25 -STR ⁸⁾	OSP-E32 -STR ⁸⁾	OSP-E50 -STR ⁸⁾
	250	600	1500	600	1300	2500	260	900	1200	800	1600	3300
	0.25	0.5	1.25	0.1	0.1	0.15	0.25	0.5	1.25	0.075	0.1	0.125
	O	O	O	O	O	O	O	O	O	O	O	O
	1 - 1100	1 - 2000	1 - 3200	1 - 1100	1 - 2000	1 - 2500	1 - 500	1 - 500	1 - 500	1 - 500	1 - 500	1 - 500
	-20 +80	-20 +80	-20 +80	-20 +70	-20 +70	-20 +70	-20 +80	-20 +80	-20 +80	-20 +70	-20 +70	-20 +70
	O	O	O	O	O	O	-	-	-	-	-	-
	X	X	X	X	X	X	X	X	X	X	X	X
	-	-	-	-	-	-	-	-	-	-	-	-
	500	1200	3000	500	1000	1500	-	-	-	-	-	-
	2	8	16	2	6	13	-	-	-	-	-	-
	12	25	80	24	65	155	-	-	-	-	-	-
	8	16	32	7	12	26	-	-	-	-	-	-
	675	925	2000	675	925	2000	-	-	-	-	-	-
	14	29	77	14	29	77	-	-	-	-	-	-
	34	60	180	34	60	180	-	-	-	-	-	-
	34	60	180	34	60	180	-	-	-	-	-	-
	986	1348	3582	986	1348	3582	-	-	-	-	-	-
	19	33	128	19	33	128	-	-	-	-	-	-
	44	84	287	44	84	287	-	-	-	-	-	-
	44	84	287	44	84	287	-	-	-	-	-	-
	910-1190	1400-2300	3000-4000	900-1190	1400-2300	3000-4000	-	-	-	-	-	-
	14-20	20-50	90-140	14-20	20-50	90-140	-	-	-	-	-	-
	63-175	70-175	250-350	63-175	70-175	250-350	-	-	-	-	-	-
	63-175	70-175	250-350	63-175	70-175	250-350	-	-	-	-	-	-
	6000	6000	18000	6000	6000	18000	-	-	-	-	-	-
	320	475	1400	320	475	1400	-	-	-	-	-	-
	260	285	1100	260	285	1100	-	-	-	-	-	-
	320	475	1400	320	475	1400	-	-	-	-	-	-
	O	O	O	O	O	O	O	O	O	O	O	O
	O	O	O	O	O	O	O	O	O	O	O	O
	O	O	O	X	X	X	X	X	X	X	X	X
	O	O	O	O	O	O	-	-	-	-	-	-
	O	O	O	O	O	O	O	O	O	O	O	O
	O	O	O	O	O	O	-	-	-	-	-	-
	O	O	O	O	O	O	O	O	O	O	O	O
	O	O	O	O	O	O	O	O	O	O	O	O
	O	O	O	O	O	O	O	O	O	O	O	O
	O	O	O	O	O	O	O	O	O	O	O	O
	O	O	O	O	O	O	O	O	O	O	O	O
	O	O	O	O	O	O	O	O	O	O	O	O
	O	O	O	O	O	O	O	O	O	O	O	O
	O	O	O	O	O	O	O	O	O	O	O	O
	-	-	-	-	-	-	-	-	-	-	-	-



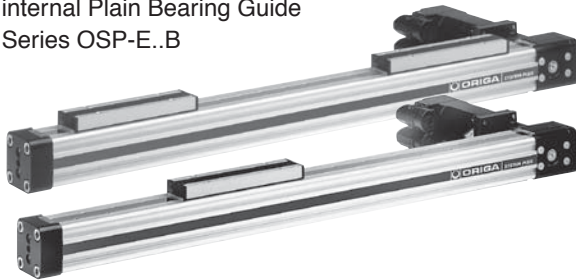
Drive Options

OSP-E Series Electric Linear Drives and Guides One System – Seven Drive Options

Linear Drive with Toothed Belt and integrated Recirculating Ball Bearing Guide or Roller Guide
Series OSP-E..BHD



Linear Drive with Toothed Belt and internal Plain Bearing Guide
Series OSP-E..B



Linear Drive with Ball Screw Drive and internal Plain Bearing Guide
Series OSP-E..SB



Linear Drive with Ball Screw Drive, internal Plain Bearing Guide and Piston Rod
Series OSP-E..SBR



Vertical Linear Drive with Toothed Belt and integrated Recirculating Ball Bearing Guide
Series OSP-E..BV







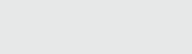
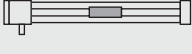
Linear Drive with Trapezoidal Screw Drive and internal Plain Bearing Guide
Series OSP-E..ST









Linear Drive with Trapezoidal Screw Drive, internal Plain Bearing Guide and Piston Rod
Series OSP-E..STR



Standard Versions

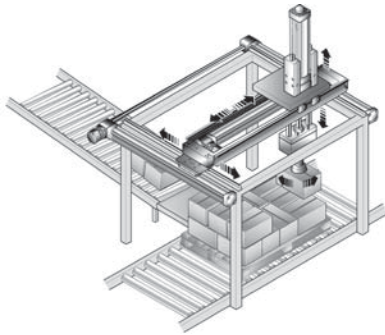
Description	Toothed Belt-Driven – Basic Versions		
	Toothed Belt-Driven with Integrated Guide 	Vertical Linear Drive with Toothed Belt 	Toothed Belt-Driven 
Standard Versions	 – Direction of motion – Position of the drive shaft	 – Position of the drive shaft	 – Position of the drive shaft
Options	– Tandem – Bi-directional – Integrated Planetary Gearbox	– Tandem	– Tandem – Bi-directional – Niro
Mountings			
Clevis Mounting	–	–	O
End Cap Mounting	O	–	O
Mid-Section Support	O	–	O
Inversion Mounting	–	–	O
Accessories			
Magnetic Switches	O	O	O
Motor Mountings	O	O	O
Linear Guides	–	–	O
Multi-Axis Connection System	O	O	O

Description	Screw-Driven – Basic Versions		
	Ball Screw -Driven 	Trapezoidal Screw- Driven 	Screw-Driven with extending Rod – with Trapezoidal Screw – with Ball Screw 
Standard Versions	 – Spindle pitch of the ball screws		
Options	– Clean room version – Displacement Measuring System SFI-plus	– Displacement Measuring System SFI-plus	
Mountings			
Clevis Mounting	O	O	–
End Cap Mounting	O	O	O
Mid-Section Support	O	O	O
Inversion Mounting	O	O	–
Accessories			
Magnetic Switches	O	O	O
Motor Mounting	O	O	O
Flansh Mounting	–	–	O
Trunnion Mounting	–	–	O
Piston Rod Mounting	–	–	O
Linear Guides	O	O	–
Multi-Axis Connection System	O	O	O

Features

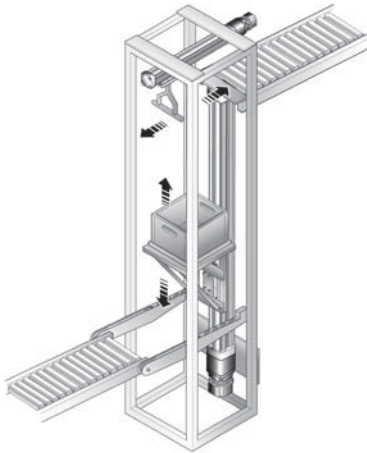
Auto Handling

- high speed pick and place movements



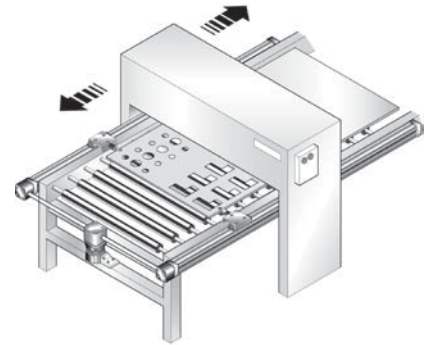
Material Handling Systems

- vertical and horizontal transfer movements



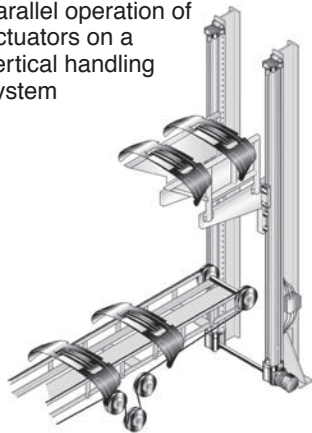
Punching Machines

- accurate feeding and positioning



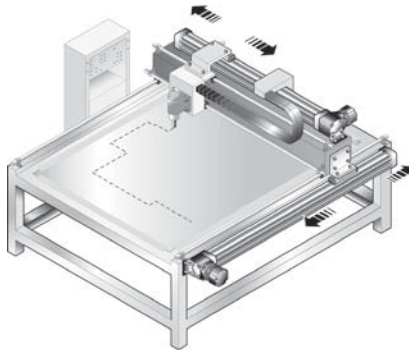
Mechanical Handling

- parallel operation of actuators on a vertical handling system



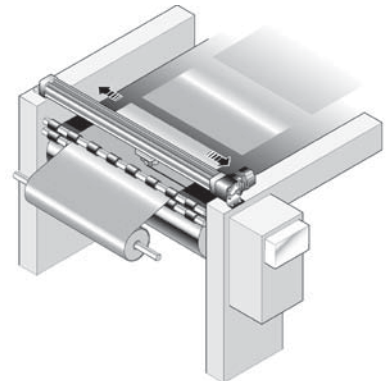
Profile Cutting Machines

- intricate profile movements of water jets and lasers



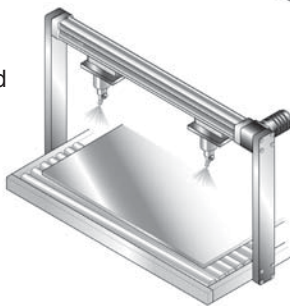
Slitting Machines

- high speed traverse applications for the slicing of papers and textiles



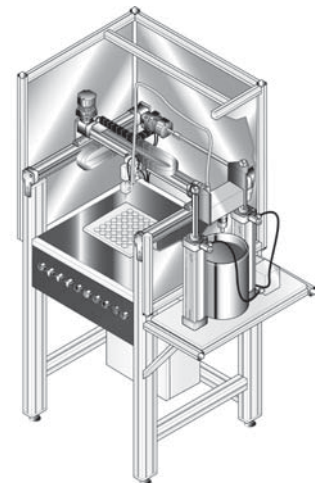
Spray Coating

- synchronized high speed bi-parting movements



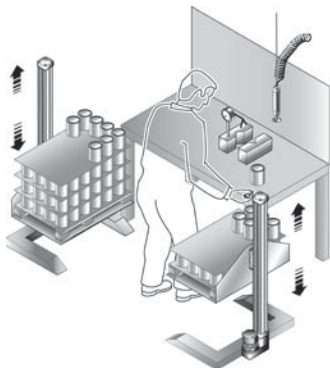
Automated Filling Machines

- accurate 3-axis positioning



Ergonomic Workstations

- adjustment of working levels



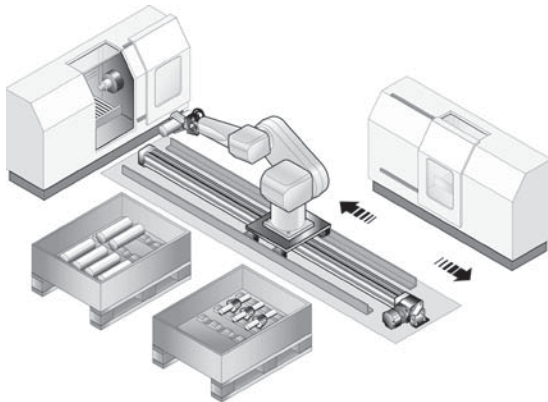
Automatic Doors and Guards

- simple bi-parting operation



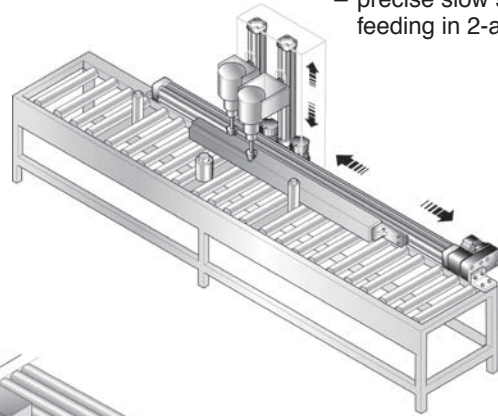
Robotic Installations

- traverse of robots between work stations



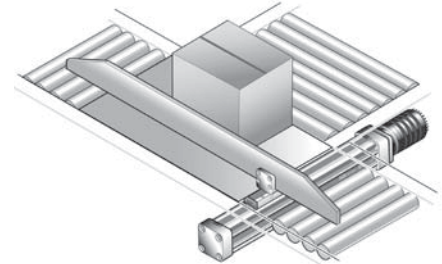
Milling Machines

- precise slow speed feeding in 2-axis



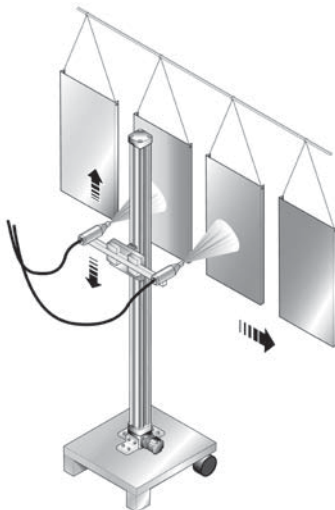
Conveyor Systems

- simple cross-transfer actuators



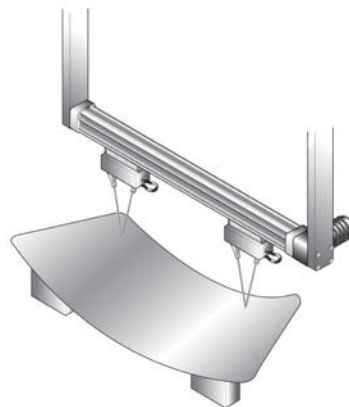
Spraying Equipment

- precision reciprocating action



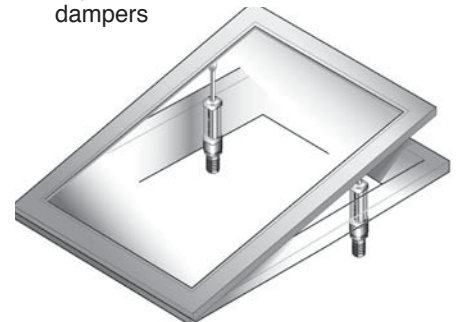
Measuring Systems

- optical curvature gauging using synchronised bi-parting actuation



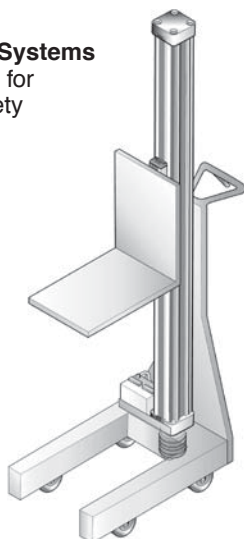
Ventilation Systems

- adjustment of air dampers



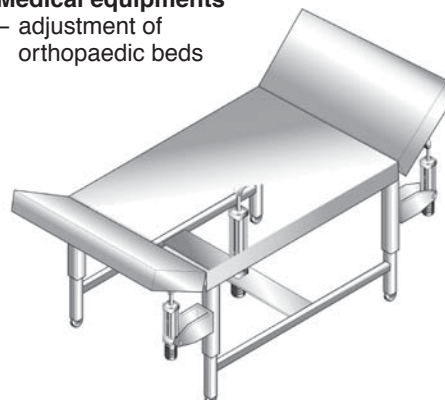
Mobile Lifting Systems

- lifting devices for industrial safety



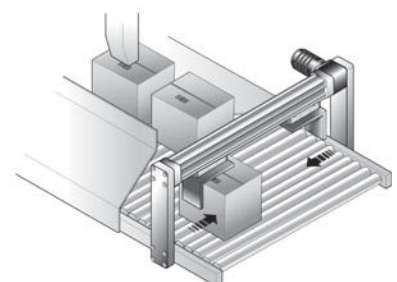
Medical equipments

- adjustment of orthopaedic beds



Conveyor Systems

- centring of packages on conveyor lines



Notes
