

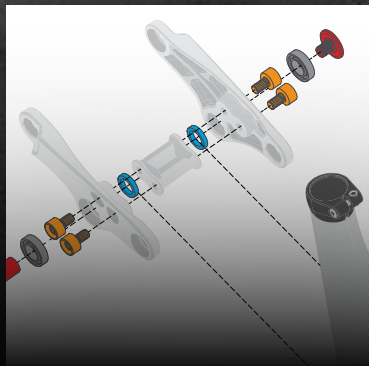
SIGHT



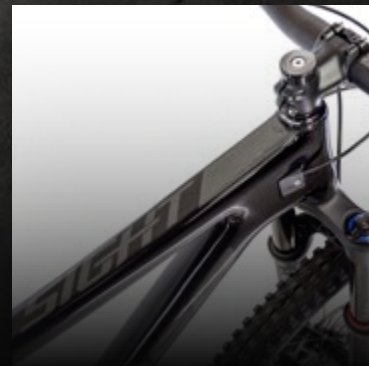
TECHNICAL SUPPORT DOCUMENT
2018 CARBON MODELS 650B / 29



WARRANTY



SMALL PARTS



FRAME SPEC/SERVICING

WARRANTY INFORMATION

OWNERSHIP**REGISTER YOUR BIKE**

The original owner must register his / her new bicycle within 90 days from the date of purchase with Norco Bicycles (www.norco.com/bike-registration) to complete a record of ownership and to participate in the applicable Warranty and Norco Crash Replacement Program. Upon successful completion of your online registration, you will receive an email confirmation for your records. Your Authorized Norco Bicycle Dealer is the best source of care and information for your bicycle. The more you ride, the more frequently you should have your bicycle professionally inspected and maintained. Be sure to read your owner's manual and make yourself familiar with recommended service intervals and procedures. If you have any questions about limitations of the intended use of your Norco bike, ask an Authorized Norco Bicycle Dealer.

NORCO BICYCLES NEW PURCHASE LIMITED WARRANTY

Your ride enjoyment is our priority, and if you have any issue with your Norco Bicycle contact the Authorized Norco Bicycle Dealer where you purchased your bicycle first. The Norco warranty applies to all new bicycle frames and framesets purchased from and assembled by, an Authorized Norco Bicycle Dealer. Any warranty claim must be made through an Authorized Norco Bicycle Dealer. Your Authorized Norco Bicycle Dealer is professionally equipped to assist you with your bicycle care, as well as any issue(s) or claim(s) made that are a result of a manufacturing defect. Transportation charges are not covered by the Warranty.

PROTECT YOUR INVESTMENT**TOP 5 REASONS TO REGISTER YOUR NORCO BICYCLE****1 ACTIVATE YOUR EXTENDED WARRANTY**

Register within 90 days of purchase to qualify for an extended warranty on select models. For full details on warranty visit <http://www.norco.com/warranty/>

2 RECORD OF OWNERSHIP

Bike registration ensures your serial number is on file if and when you need it. You may also opt in to Operation Hands Off, a police-accessible database for lost or stolen property.

3 QUALIFY FOR OUR CRASH REPLACEMENT PROGRAM

Accidents can happen. Register within 90 days of purchase to qualify for our crash replacement program, so you can return to riding as soon as possible.

4 EASIER WARRANTY CLAIM PROCESS

In the event you need to make a warranty claim on your Norco Bicycle, having your bike registered will ensure your claim can be processed swiftly by your authorized Norco dealer.

5 TO RECEIVE IMPORTANT UPDATES

Be the first receive information about important product updates directly from Norco.

COMPLETE BICYCLES

Norco Bicycles warrants the replacement or repair at its sole option, of any original Norco branded part due to defect in material and/or workmanship for 1 year from the original date of purchase. Original sales receipt or other proof of purchase is required at time of claim.

WARRANTY EXCLUSIONS**AND/OR LIMITATIONS**

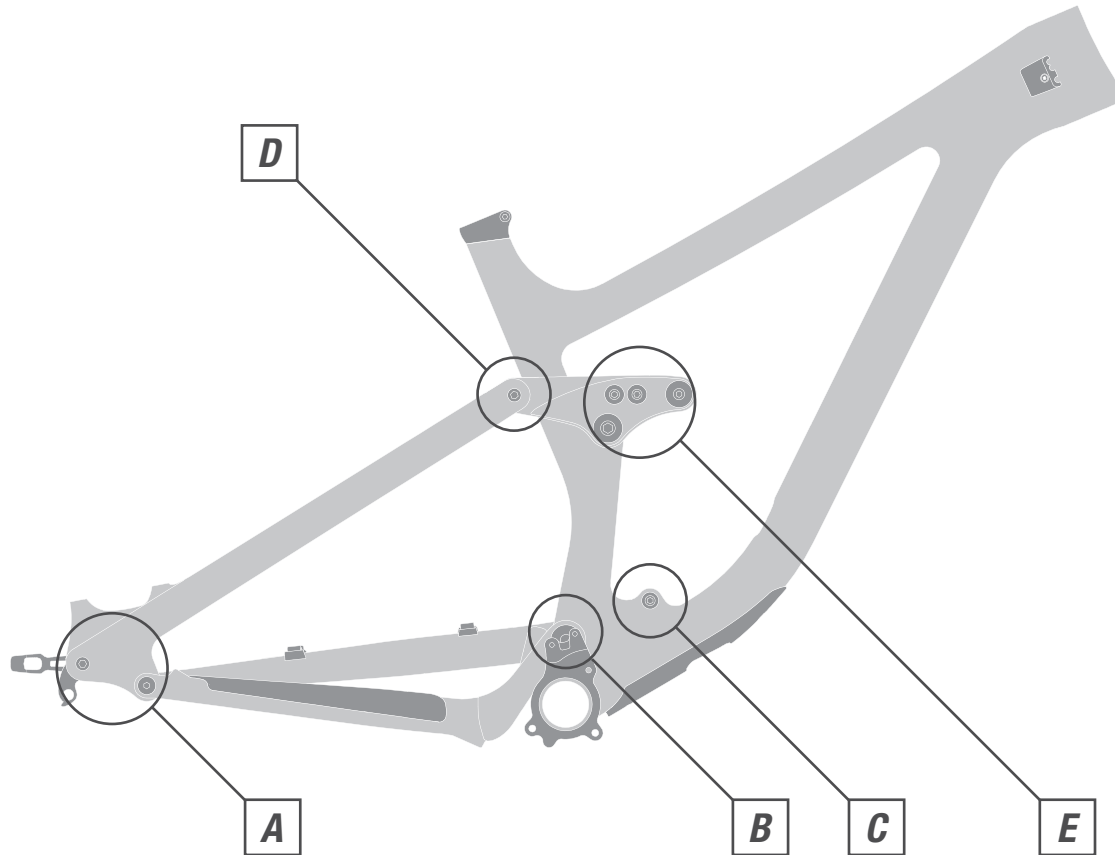
Components and suspension forks / rear shocks are not considered part of the frame and are not covered under the terms of the frame warranty. Suspension manufacturer's, brand name wheels sets and other brand name components designate their own specific warranty policy for their products. Visit component manufacturer's websites for further information. If you did not receive a Norco owners manual from your Authorized Norco Bicycle Dealer at time of purchase, please go to www.norco.com/owners-manual

Colour fade as a result of harmful UV exposure or sunlight is not covered.

This warranty is void in its entirety by the modification of the frame, fork or components. Failure of any frame or component due to accident, abuse, neglect, normal wear, stunt riding, commercial use, rental use, improper assembly, improper fit, maintenance and/or assembly by/ or purchased from another party besides an Authorized Norco Bicycle Dealer, or use of parts inconsistent with the use originally intended for the bicycle as sold, are not covered by this warranty.

Warranty claims made outside the country of purchase may be subject to fees and different terms or restrictions.

FRAME HARDWARE

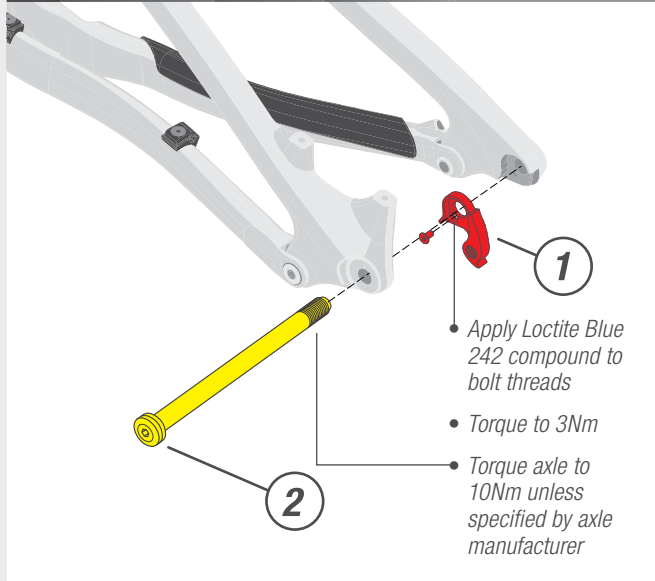


INDEX

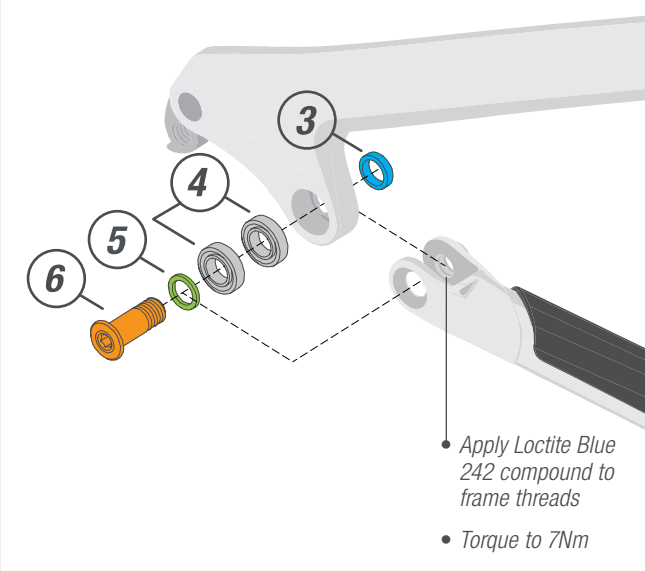
- A** REAR PIVOT ASSEMBLY
PG.2
- B** MAIN PIVOT ASSEMBLY
PG.2
- C** LOWER SHOCK ASSEMBLY
PG.3
- D** SEAT STAY PIVOT ASSEMBLY
PG.3
- E** LINK ARM ASSEMBLY
PG.3
- F** FRAME FITTINGS
PG.4

- CABLE ROUTING**
PG.6

A REAR AXLE ASSEMBLY



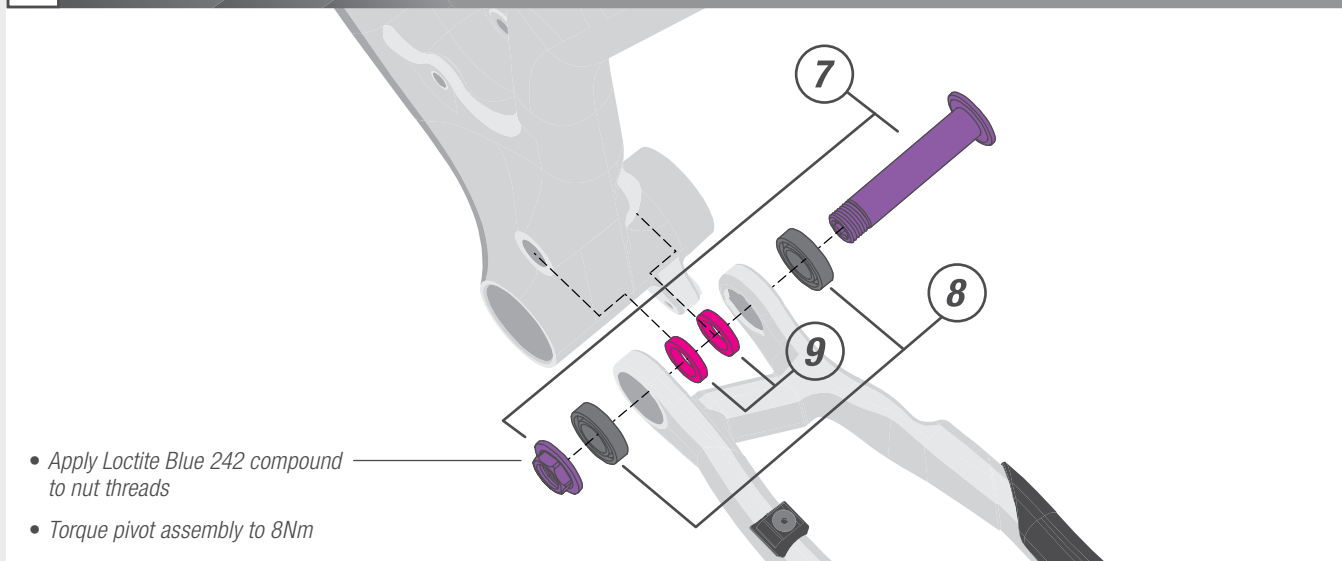
A REAR PIVOT ASSEMBLY



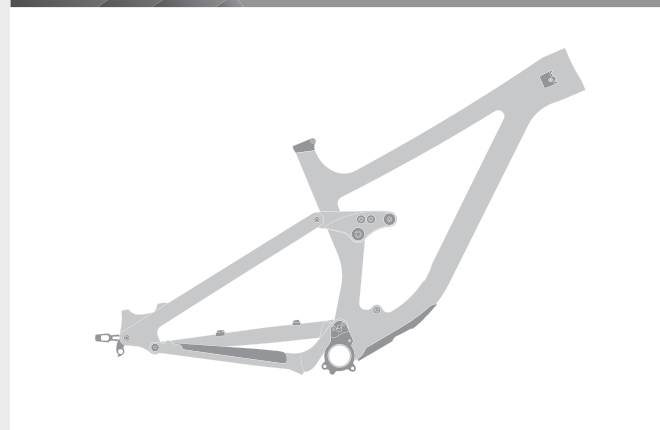
FRAME HARDWARE

- 1 **DERAILLEUR HANGER + SCREW M3x8MM**
913015-003 (1pc/each)
- 2 **BOLT THRU AXLE 142x12**
913105-006 (1pc)
- 3 **SPACER 10x14x3.5**
913300-009 (2pc)
- 4 **6800 BEARING KIT 10x19x5**
913200-6800-EM (2pcs)
- 5 **SPACER 10x14x2**
913300-008 (1pc)
- 6 **MAIN PIVOT SHAFT**
913500-007 (1pc)
- 7 **MAIN PIVOT SHAFT & NUT**
913600-010 (1pc/each)
- 8 **6901 BEARING KIT 15x28x7**
913200-6902-EM (2pcs)
- 9 **SPACER 15x22x4**
913300-003 (2pcs)

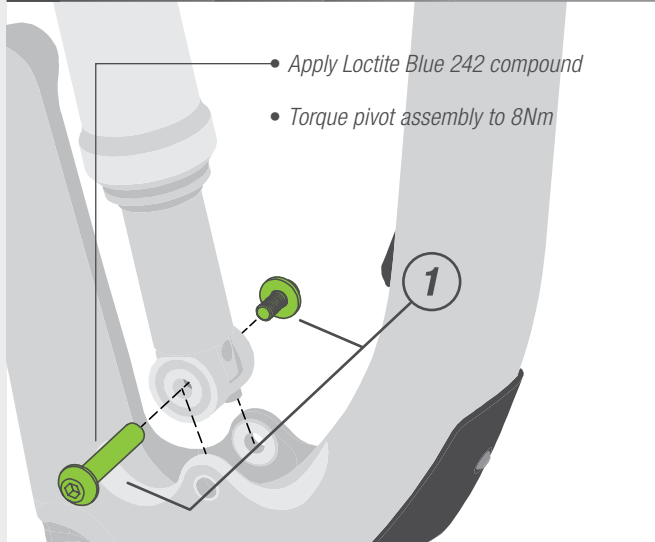
B MAIN PIVOT ASSEMBLY



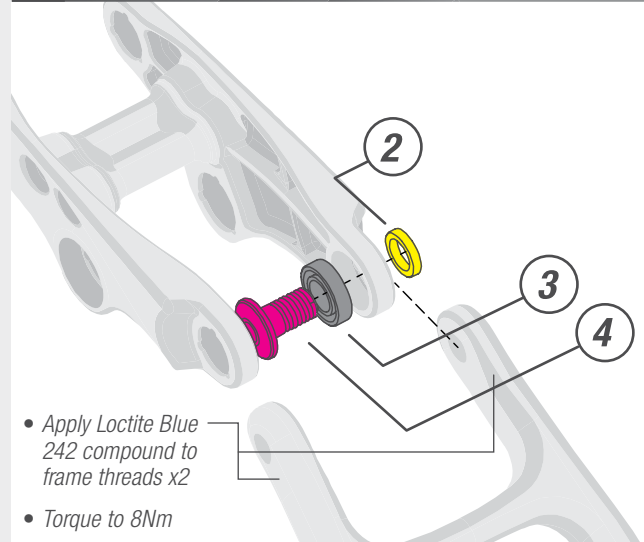
QUICK NAVIGATION



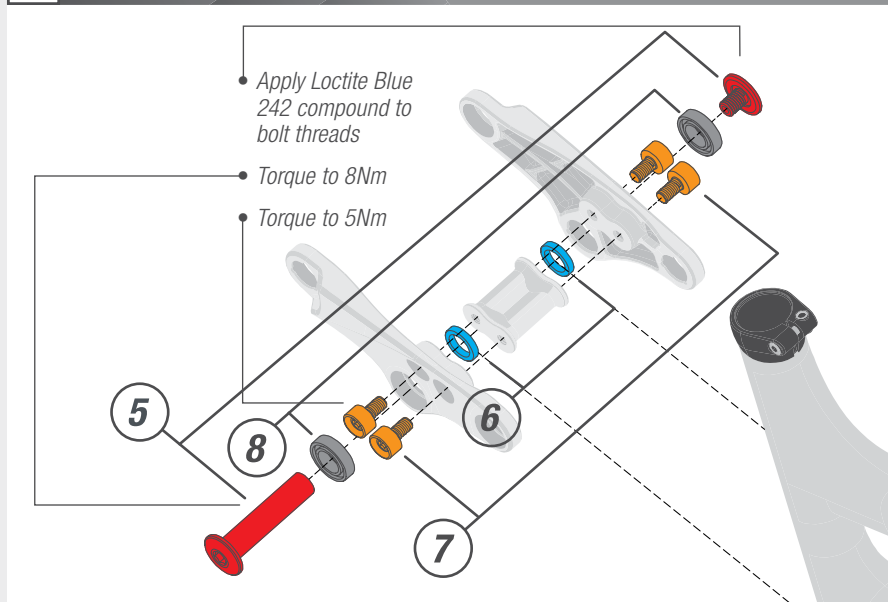
C LOWER SHOCK BOLT ASSEMBLY



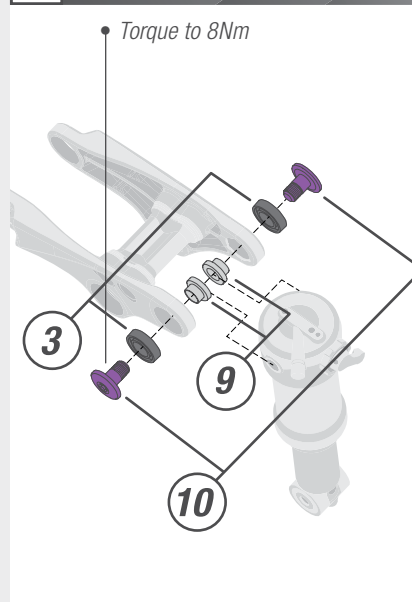
D LINK ARM PIVOT ASSEMBLY



E LINK ARM ASSEMBLY



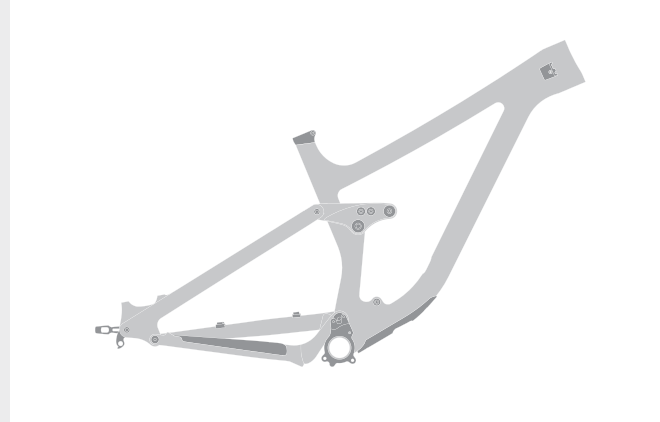
E UPPER SHOCK BOLT



FRAME HARDWARE

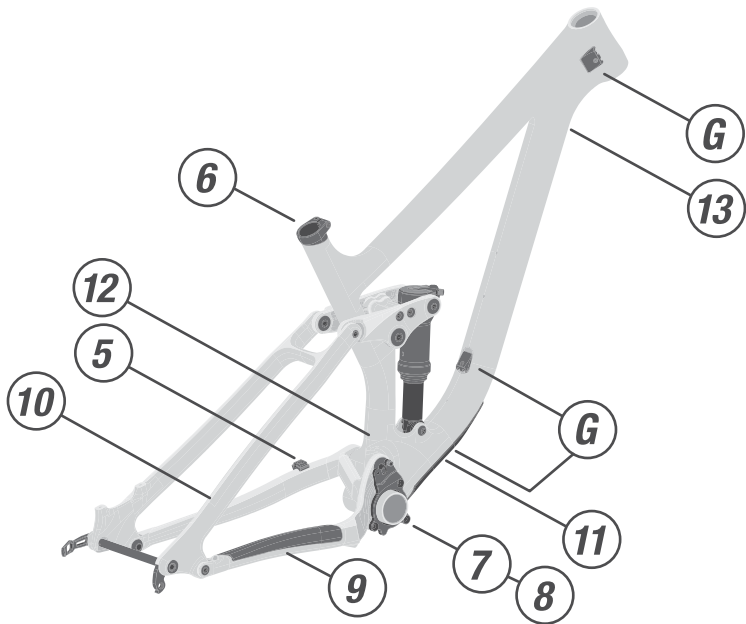
- 1 LOWER SHOCK BOLT & NUT**
913800-004 (1pc/each)
- 2 SPACER** 12x18x3.5
913300-010 (2pcs)
- 3 6901 BEARING KIT** 12x24x6
913200-6901-EM (2pcs)
- 4 SEAT STAY/LINK ARM PIVOT BOLT**
913500-008 (1pcs)
- 5 SEAT TUBE/LINK ARM PIVOT SHAFT & NUT**
913600-001 (1pc/each)
- 6 SPACER** 15x22x4
913300-003 (2pcs)
- 7 SCREW** M8x1.25x14 TALL HEAD
913400-002 (2pcs)
- 8 6902 BEARING KIT** 15x28x7
913200-6902-EM (2pcs)
- 9 TOPHAT SPACER**
913800-006 (2pcs)
- 10 SHOCK BOLT** 15x28x7
913800-005 (2pcs)

QUICK NAVIGATION



3x Cable Guide (1pc/each)	2x Cable Guide (1pc/each)	5mm to 4mm Insert (1pc)	5mm to Blank Insert (1pc)	Cable Guide Small (1pc/each)	Seat Collar (1pc)	<ul style="list-style-type: none"> • Torque to 5Nm ISCG Front Derailleur Plate (1pc)	<ul style="list-style-type: none"> • Torque to 5Nm ISCG Adapter Plate (1pc)	Chainstay Protector (1pc)
---------------------------	---------------------------	-------------------------	---------------------------	------------------------------	-------------------	---	--	---------------------------

FRAME FITTINGS



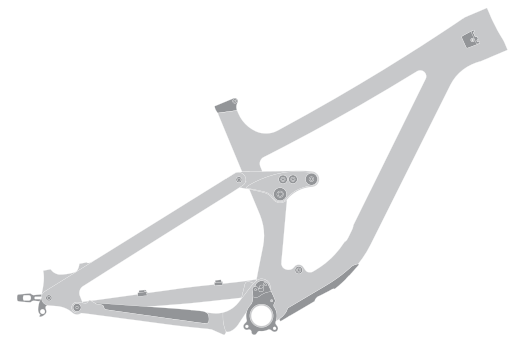
Seatstay Protector (1pc)

Seattube Frame Guard (1pc)

Shuttle Guard (1pc)

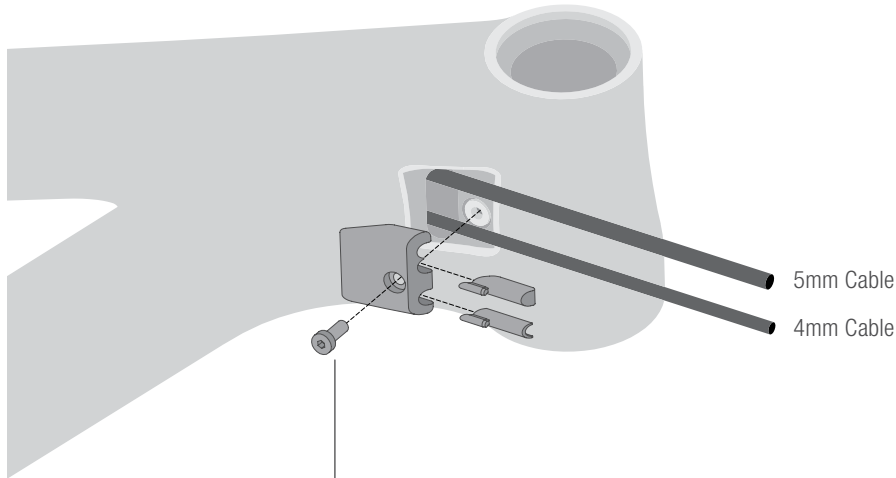
Downtube Guard (1pc) M4x8mm Buttonhead screws (2pc)

QUICK NAVIGATION

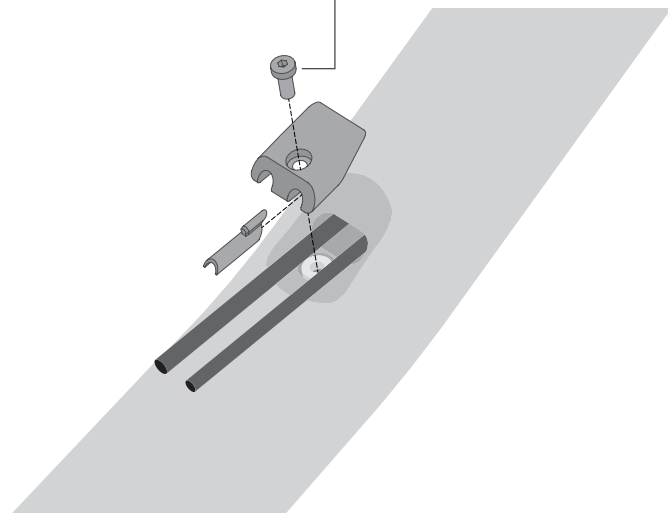


FITTING INSTRUCTIONS

1



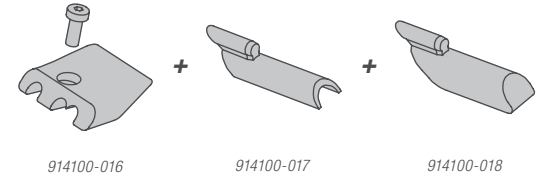
2



WARNING:
Use 12mm MAX bolt length at Head Tube. The use of a longer bolt can damage the fork steerer tube.

GIZMO CONFIGURATIONS

1 HEAD TUBE 3x CABLE GUIDE



2 DOWN TUBE 2x CABLE GUIDE

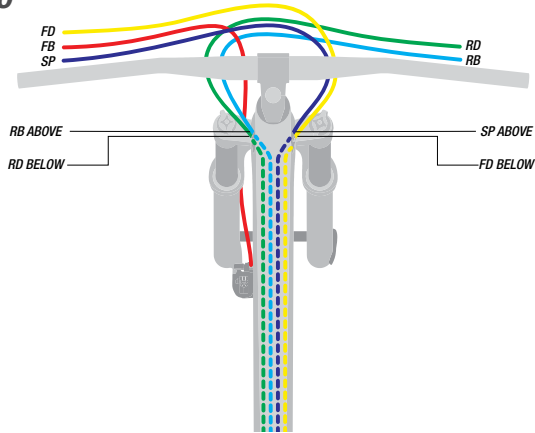


QUICK NAVIGATION

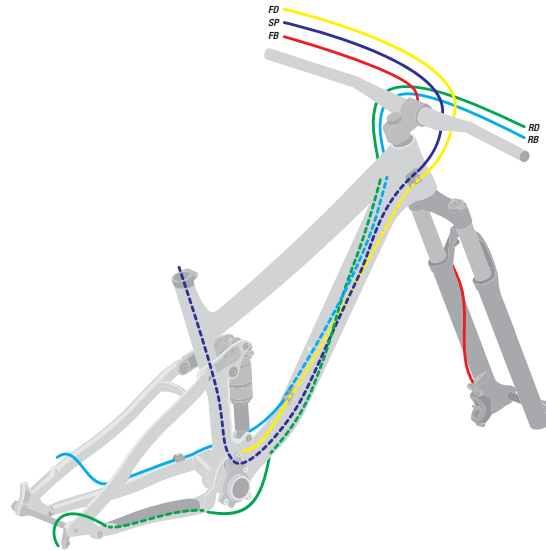
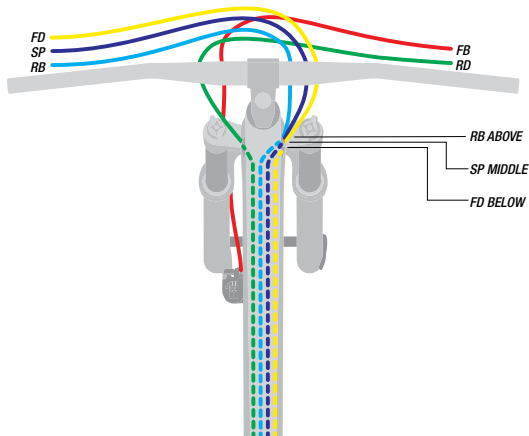


FITTING INSTRUCTIONS

A SPEC



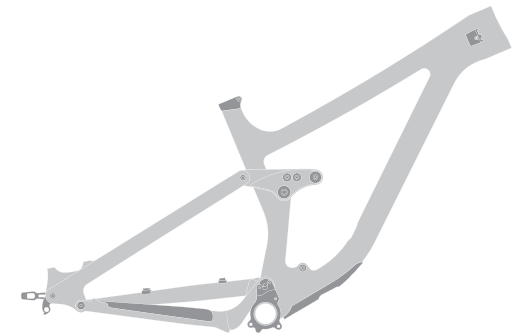
B SPEC



GIZMO CONFIGURATIONS

- FRONT BRAKE HOSE (FB)
- REAR BRAKE HOSE (RB)
- FRONT DERAILLEUR CABLE (FD)
- REAR DERAILLEUR CABLE (RD)
- SEATPOST HOSE/CABLE (SP)

QUICK NAVIGATION



SUSPENSION SET UP

Dependent on riding style and terrain, rear suspension sag between 27% and 33% is recommended.

To correctly determine sag, the following procedure should be performed while wearing full riding attire including helmet, hydration pack and body armour.

To determine sag:

- Put the bike on a flat surface
- Set the saddle height to the half way point between pedaling and descending
- Turn the shock compression lever to the open setting
- Bounce the rear suspension firmly a few times to half travel each time.
- Slide the o-ring on the shock all the way to the lip seal
- Slowly sit on the bike with both feet on the ground being careful not to bounce the suspension
- Slowly lift your feet off the ground and allow the bike to tip to either side
- Get off the bike without bouncing the suspension
- Measure the distance between the lip seal and the o-ring

This is your sag measurement.

For the Sight 7 & 9, this measurement should be between 15 – 18mm. If your measurement is less than 15mm, you need to remove air from the shock. If your measurement is more than 18mm, you will need to add air to the shock with a shock pump. When re-checking your sag after adjusting air pressure, be sure to disconnect the shock pump and bounce the suspension a few times to equalize the pressure in the positive and negative air chambers.

For rebound damping tuning instructions, please consult your Norco dealer or visit the shock manufacturer's website.

FRAME SPECIFICATIONS

Rear Wheel Travel	(C7) 140mm (C9) 130mm
Shock Eye - Eye Length	185mm
Shock Stroke Length	55mm
Body Eye Hardware (upper)	Trunion
Shaft Eye Hardware (lower)	30mm x 8mm
Headset	1.125-1.5"
Head Tube	S.H.I.S IS52/40 IS52/40
Bottom Bracket	Press Fit MTB BB92
Seat Post Diameter	31.6mm
Caliper Mount	160mm Post Mount
Chain Guide Specification	ISCG05
Front Derailleur	S3 Mount, side swing
Rear Axle	142x12 L174 M12x1.75 (Maxle standard)

MAINTENANCE SCHEDULE

To ensure optimum suspension performance all bearings and pivot hardware should be inspected for proper function and signs of wear every 30 hours of riding.

If inspection highlights any areas of concern replacement of affected hardware components should be completed by a qualified technician.

Please refer to the detail images in this document for information regarding assembly compounds and hardware torque specifications.

For optimum damper performance (rear shock/ fork) refer to the original manufacturers maintenance guidelines.