



1200W GENERATOR

Owner's Manual



Model No. PG1202S

For Service Please Call Toll Free: 1-866-591-8921

⚠ WARNING ⚠

Read and follow all safety rules and instructions in this manual before attempting to operate this machine. Failure to comply with these instructions may result in personal injury.

Diagrams within this manual may not be drawn proportionally. Due to continuing improvements, the actual product may differ slightly from the product described herein.

1200 WATT GENERATOR

Table of Contents

Topic	Page
Table of Contents	2
Safety Information	3
Specifications	4
Components	5
Starting the Engine	6
Stopping the Engine	6
Resetting Breaker Button	6
Maintenance	6
Storage	7
Statement	7
Trouble Shooting	8
Generator Theory Diagram	9
Limited Warranty	10
Parts List	12

1200 WATT GENERATOR

Safety Information



CAUTION

PLEASE READ AND UNDERSTAND THIS MANUAL COMPLETELY, BEFORE OPERATING THIS GENERATOR.

Never operate the engine in an enclosed area. All gasoline engines produce carbon monoxide gas while running. Breathing exhaust fumes can kill. Operate the engine in a well-ventilated area, only.

Extract from CPSC Document #5008 on Carbon Monoxide

The U.S. Consumer Product Safety Commission (CPSC) has issued the following warning regarding carbon monoxide poisoning

- Do not use portable heaters or lanterns while sleeping in enclosed areas such as tents, campers, and other vehicles. This is especially important at high altitudes, where the risk of carbon monoxide poisoning is increased.

- Know the symptoms of carbon monoxide poisoning: headache, dizziness, weakness, nausea, vomiting, sleepiness, and confusion. Carbon monoxide reduces the blood's ability to carry oxygen.

Low blood oxygen levels can result in loss of consciousness and death

- See a doctor if you or a member of your family develops cold or flu like symptoms.

Carbon monoxide poisoning can easily be mistaken for a cold or flu, and is often detected too late.

- Alcohol consumption and drug use increase the effects of carbon monoxide poisoning.

- Carbon monoxide is especially toxic to mother and child during pregnancy, infants the elderly.

Smokers, and people with blood or circulatory system problems, such as anemia, or heart disease.

Fuel Is Highly Flammable

DO NOT refuel while engine is running.

DO NOT refuel near sparks or open flame.

DO NOT smoke while refueling.

ALWAYS allow the engine and muffler to cool before refueling.

Refuel ONLY in well-ventilated area.

DO NOT over-fill gas tank.

Engine And Muffler Get Very Hot

Keep flammable materials at least 3 feet from generator.

When in use, place generator in an area where children are not likely to touch it.

Electric Shock Hazard

DO NOT operate in rain or snow, or next to body of water.

DO NOT touch with wet hands.

Be sure to USE GROUNDED PLUGS with the generator.

DO NOT connect generator to commercial power outlets.

1200 WATT GENERATOR

Specifications

DIMENSIONS

Length	16 in.
Width	15 in.
Height	14 in.
Weight	39.68 lbs

ENGINE

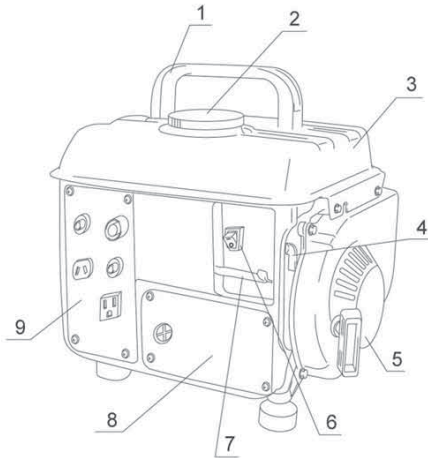
Type	Air cooled 2-stroke
Fuel	Nonleaded gasoline with a minimum of 90% octane
Oil	Two-stroke lubrication
Gasoline and oil mixing ratio	30 : 1
Displacement	72 cc
Starting System	Recoil (Electronic Ignition)
Driving System	Direct Coupling, Taper Fit
Spark Plug	F6TC/LD
Governor	Mechanica (Adjustable)
Cooling System	Forced Air
Stroke	Two Stroke
Carburetor Type	P15-3
Air Cleaner Type	Sponge Element
Compression Rate	6
Decibel Ratio	80db @ 3.3 ft / 65db @ 24 ft
Rated Output	72cc @ 3600rpm
Fuel Tank Capacity	1.1 Gal.

GENERATOR

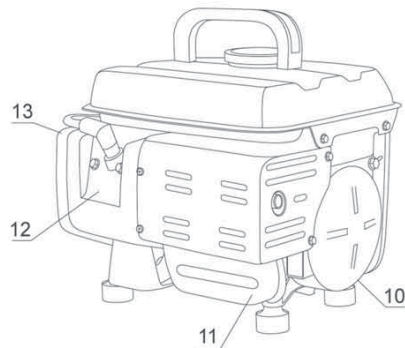
AC Output Rating	120 Volts
Frequency	60 Hz
AC Current	7 Amps
Rated Output, Continuous	900 Watts
DC Output Rating	12 Volts
DC Current	8.3 Amps
Power Factor	Cos ϕ = 1
Steady State Voltage Range	+/- 15%
Steady State Frequency Range	Less than 7%
Voltage Waveform Twist Rate	Less than 25%

1200 WATT GENERATOR

Generator Components



1. Handle
2. Fuel Cap
3. Fuel Tank
4. Fuel Shut-off
5. Recoil Starter
6. Engine On-Off Switch
7. Throttle Lever



8. Air Cleaner
9. Control Panel
10. Generator
11. Muffler
12. Cylinder
13. Spark Plug

1200 WATT GENERATOR

STARTING THE ENGINE

1. Disconnect all electric appliances from generator before starting.
2. Turn fuel shut-off lever to "ON".
3. Move Choke lever all the way to the left.
4. Turn engine switch to "ON" position.
5. Pull recoil starter cord slowly until engaged, then pull briskly to start.
6. Once engine has started, move choke lever all the way back to the right.

CONNECTING ELECTRICAL APPLIANCES

Always allow engine to warm up before connecting any electrical load to the generator.

STOPPING ENGINE

1. Turn off all appliances, then disconnect them from the generator.
2. Turn engine switch to "STOP" position.
3. Turn fuel shut-off lever to "OFF".
4. Allow engine to cool before attempting to move the generator or to refuel.

RESETTING BREAKER BUTTONS

If reset trips, disconnect all external electrical appliances before pushing the reset button. After reconnecting the external electrical appliance, if reset continues to trip that indicates that the electrical lead connected to the generator from one or more of the appliances may have a short circuit. In that event, discontinue use of that item until it has been checked and/or repaired by a qualified technician.

PERIODIC MAINTENANCE

Service intervals

Clean air filter after every 150 hours of run time. (If use in very dusty conditions, clean air filter after every 10 hours of run time)

1. Remove foam filter and wash in mild detergent or dish washing liquid
2. Rinse thoroughly, then squeeze out excess water.
3. Allow to thoroughly dry at room temperature.
4. Pour a small amount of gasoline in filter element, then squeeze out any excess gasoline.
5. Replace filter.

Clean spark plug every 50 hours of run time.

1. Remove spark plug and clean electrode with wire brush.
2. Reset gap to .028-.031 in. (.7-.8mm)

1200 WATT GENERATOR

Clean fuel filter every 150 hours of run time.

1. Remove fuel filter from inside fuel tank.
2. Clean with solvent.
3. Wipe dry.
4. Insert filter back in fuel tank.

STORAGE

If the generator will not be used for more than one month, follow the following procedures:

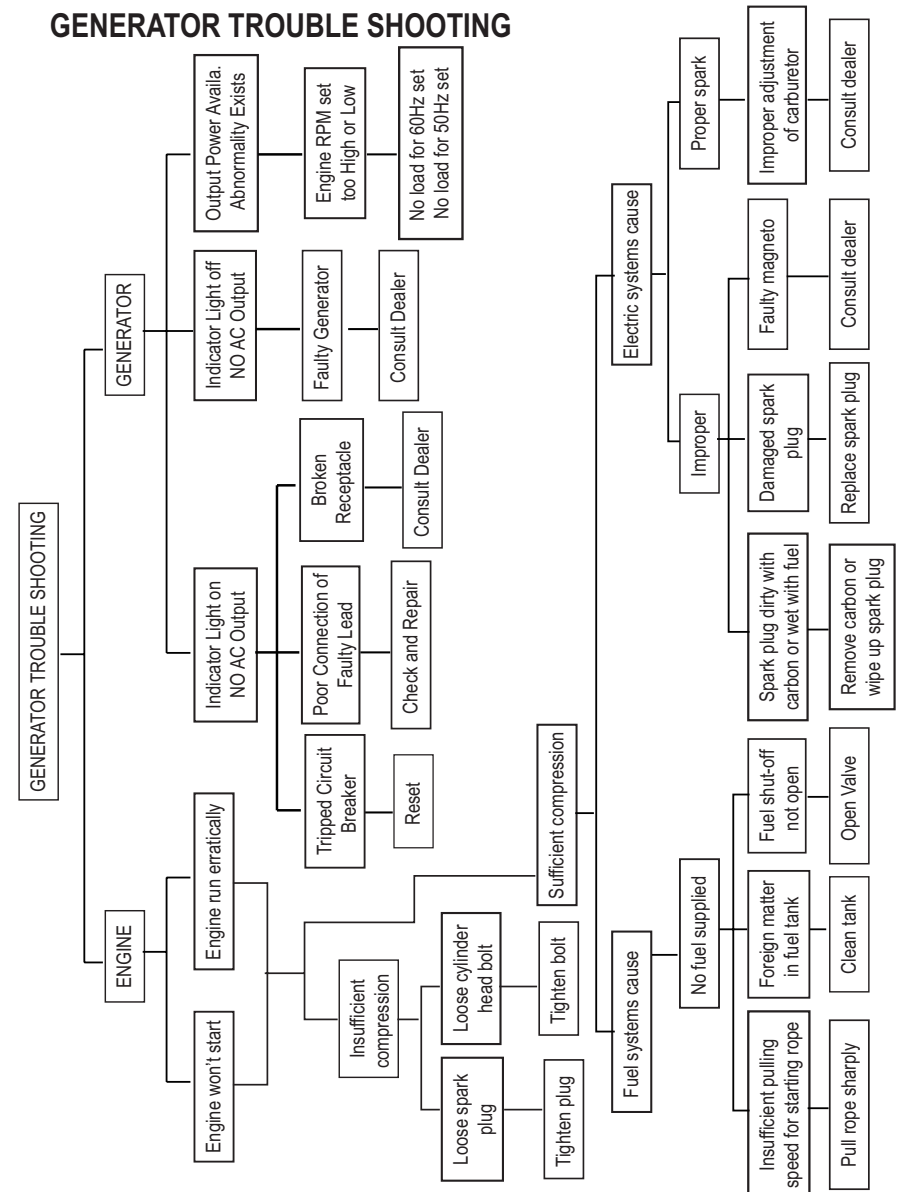
1. Drain all fuel from engine (including fuel tank, fuel cock, and carburetor).
2. Shake tank and drain excess oil.
3. Remove spark plug and pour approximately one (1) tablespoon of motor oil into spark plug hole.
4. Replace spark plug.
5. With ignition switch in "OFF" position, pull starter cord several times until you feel piston is in its compression stroke. (resistance will increase).
6. Cover generator and store in dry, well-ventilated place.

STATEMENT

1. For non-handheld engines: The emissions compliance period referred to on the Emissions Compliance label indicates the number of operating hours for which the engine has been shown to meet Federal emission requirements. For engines less than 66 cc, Category C=55 hours, B=125 hours, and A=300 hours. For engines equal to or greater than 66 cc but less than 225 cc displacement, Category C=125 hours, B=250 hours, and A=500 hours. For engines of 225 cc or more, Category C=250 cc or more, Category C=250 hours, B=500 hours, and A=1000 hours.
2. For handheld engines: The Emissions Compliance Period referred to on the Emissions Compliance label indicates the number of operating hours for which the engine has been shown to meet Federal emission requirements. Category C=50 hours, B=125 hours, and A=300 hours.

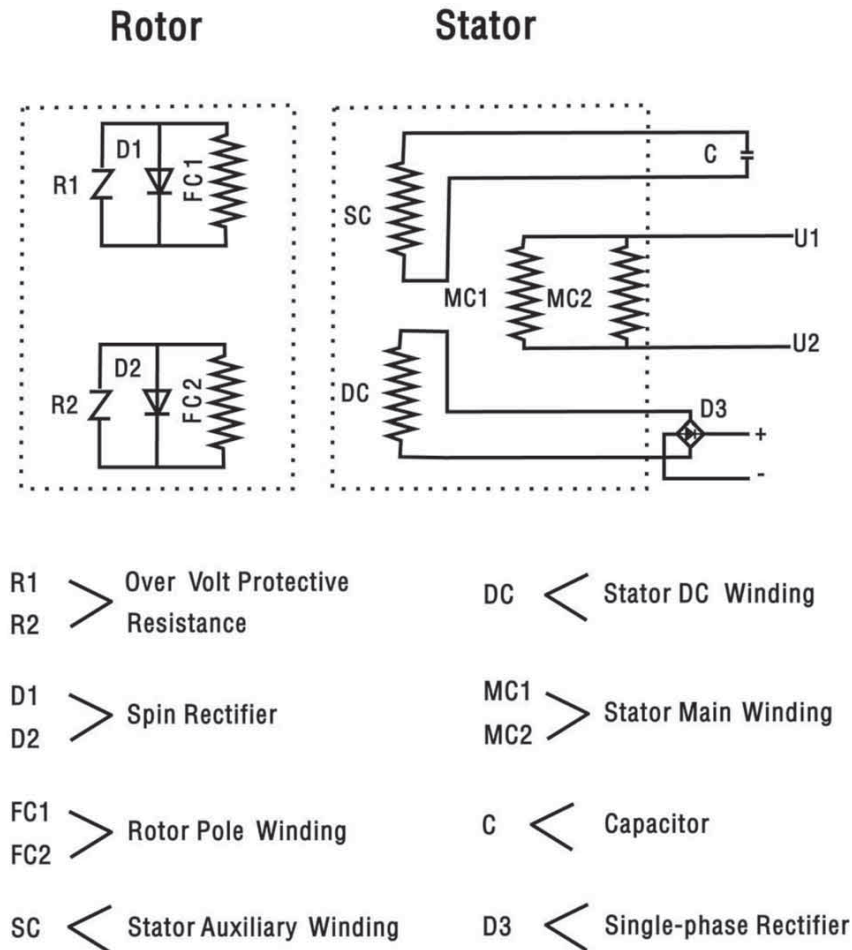
1200 WATT GENERATOR

GENERATOR TROUBLE SHOOTING



1200 WATT GENERATOR

GENERATOR THEORY DIAGRAM



1200 WATT GENERATOR

Limited Warranty

Pulsar Products, Inc. warrants to the original purchaser who uses the product in a consumer application (personal, residential or household usage) that all products covered under this warranty are free from defects in material and workmanship for one year from the date of purchase. All products covered by this limited warranty which are used in commercial applications (i.e. income producing) are warranted to be free of defects in material and workmanship for 90 days from the date of original purchase. Products covered under this warranty include air compressors, air tools, service parts, pressure washers and generators. Pulsar Products, Inc. will repair or replace at Pulsar Products, Inc. sole option, products or components which have failed within the warranty period. Service will be scheduled according to the normal work flow and business hours at the service center location, and the availability of replacement parts. All decisions of Pulsar Products, Inc. with regard to this limited warranty shall be final. This warranty gives you specific legal rights, and you may also have other rights which vary from state to state.

RESPONSIBILITY OF ORIGINAL PURCHASER (Initial User):

To process a warranty claim on this product, DO NOT return item to the retailer. The product must be evaluated by an Authorized Warranty Service Center. For the location of the nearest Authorized Warranty Service Center contact the retailer or place of purchase. Retain original cash register sales receipt as proof of purchase for warranty work. Use reasonable care in the operation and maintenance of the product as described in the Owner's Manual(s). Deliver or ship the product to the nearest Authorized Warranty Service Center. Freight costs, if any, must be paid by the purchaser. Air compressors with 60 and 80 gallon tanks will be inspected at the site of installation. Contact the nearest Authorized Warranty Service Center that provides on-site service calls for service call arrangements. If the purchaser does not receive satisfactory results from the Authorized Warranty Service Center, the purchaser should contact Pulsar Products, Inc..

1200 WATT GENERATOR

Limited Warranty (cont'd)

THIS WARRANTY DOES NOT COVER:

Merchandise sold as reconditioned, used as rental equipment, or floor or display models.

Merchandise that has become damaged or inoperative because of ordinary wear, misuse, cold, heat, rain, excessive humidity, freeze damage, use of improper chemicals, negligence, accident, failure to operate the product in accordance with the instructions provided in the Owner's Manual(s) supplied with the product, improper maintenance, the use of accessories or attachments not recommended by Pulsar Products, Inc. , or unauthorized repair or alterations.

Repair and transportation costs of merchandise determined not to be defective. Costs associated with assembly, required oil, adjustments or other installation and start-up costs.

Expendable parts or accessories supplied with the product which are expected to become inoperative or unusable after a reasonable period of use.

Merchandise sold by Pulsar Products, Inc. which has been manufactured by and identified as the product of another company, such as gasoline engines. The product manufacturer's warranty, if any, will apply.

ANY INCIDENTAL, INDIRECT OR CONSEQUENTIAL LOSS, DAMAGE, OR EXPENSE THAT MAY RESULT FROM ANY DEFECTS, FAILURE OR MALFUNCTION OF THE PRODUCT IS NOT COVERED BY THIS

WARRANTY. Some states do not allow the exclusion, so it may not apply to you.

IMPLIED WARRANTIES, INCLUDING THOSE OF MERCHANTABILITY OR FITNESS FOR A PARTICULAR PURPOSE, ARE LIMITED TO ONE YEAR

FROM THE DATE OF ORIGINAL PURCHASE. Some states do not allow limitations on how long an implied warranty lasts, so the above limitations may not apply.

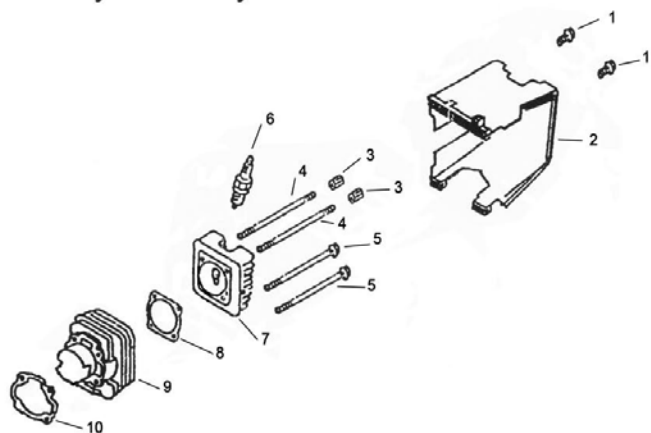
1200 WATT GENERATOR

Parts List



1200 WATT GENERATOR

Cylinder head system assy.

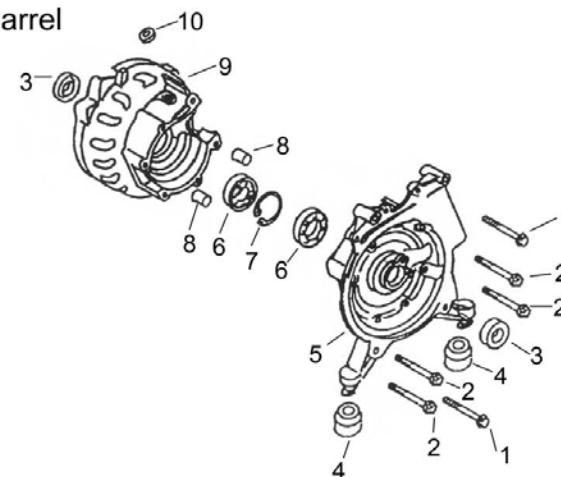


A

Parts No.	Description
PG1202S-A-01	FLANGE BOLT(M6×12)
PG1202S-A-02	CYLINDER AIR SHROUD
PG1202S-A-03	NUT(M6x18)
PG1202S-A-04	STUD BOLT(M6 X 110)
PG1202S-A-05	FLANGE BOLT(M6 X 105)
PG1202S-A-06	SPARK PLUG
PG1202S-A-07	CYLINDER HEAD
PG1202S-A-08	CYLINDER HEAD GASKET
PG1202S-A-09	CYLINDER LINER
PG1202S-A-10	CYLINDER BOTTOM GASKET

1200 WATT GENERATOR

Cylinder barrel

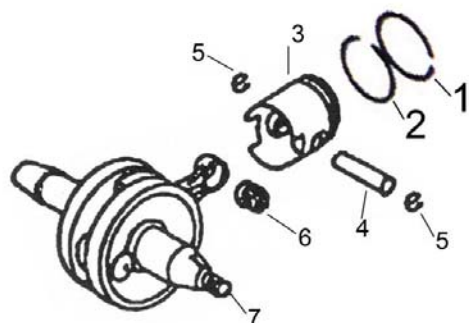


B

Part No.	Description
PG1202S-B-01	FLANGE BOLT(M6×55)
PG1202S-B-02	FLANGE BOLT(M6 X 45)
PG1202S-B-03	OIL SEAL(φ30×φ20×7)
PG1202S-B-04	RUBBER PAD
PG1202S-B-05	CRANKCASE(LEFT)
PG1202S-B-06	BEARING(6004)
PG1202S-B-07	SPEED REGULATION FORK(φ47)
PG1202S-B-08	LOCATING RING(φ10)
PG1202S-B-09	CRANKCASE(RIGHT)
PG1202S-B-10	OIL SEAL(φ12×φ6×5)

1200 WATT GENERATOR

Piston and crankshaft connecting rod system assy.

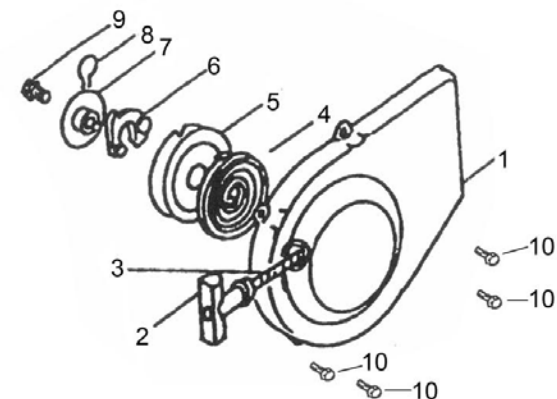


C

Part No.	Description
PG1202S-C-01	COMPRESSION RING A
PG1202S-C-02	COMPRESSION RING B
PG1202S-C-03	PISTON
PG1202S-C-04	PISTON PIN
PG1202S-C-05	PISTON PIN CLIP(10mm)
PG1202S-C-06	NEEDLE BEARING($\phi 14 \times \phi 10 \times 13$)
PG1202S-C-07	CRANKSHAFT

1200 WATT GENERATOR

Recoil starter system assy.

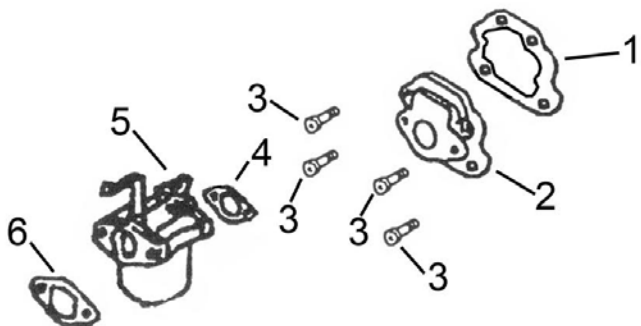


D

Part No.	Description
PG1202S-D-01	STARTING COVER
PG1202S-D-02	STARTER KNOB
PG1202S-D-03	RECOIL STARTER ROPE
PG1202S-D-04	START RETURN SPRING
PG1202S-D-05	RECOIL STARTER REEL
PG1202S-D-06	BEARING PLATE
PG1202S-D-07	DRIVE PLATE
PG1202S-D-08	CLIP SPRING
PG1202S-D-09	SETTING SCREW
PG1202S-D-10	FLANGE BOLT(M6×12)

1200 WATT GENERATOR

Carburetor system assy.

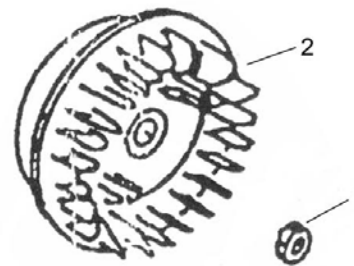


E

Part No.	Description
PG1202S-E-01	AIR INLET VALVE BODY GASKET
PG1202S-E-02	AIR INLET VALVE BODY
PG1202S-E-03	FLANGE BOLT(M6×20)
PG1202S-E-04	CARBURETOR GASKET (IN)
PG1202S-E-05	CARBURETOR ASSY
PG1202S-E-06	CARBURETOR GASKET (OUT)

1200 WATT GENERATOR

Flywheel system assy.

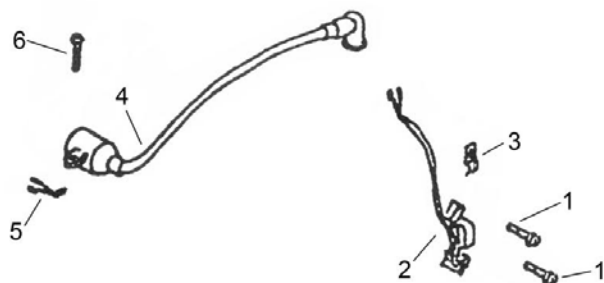


F

Part No.	Description
PG1202S-F-01	FLANGE NUT(M10×1.25)
PG1202S-F-02	FLYWHEEL

1200 WATT GENERATOR

Ignition system assy.

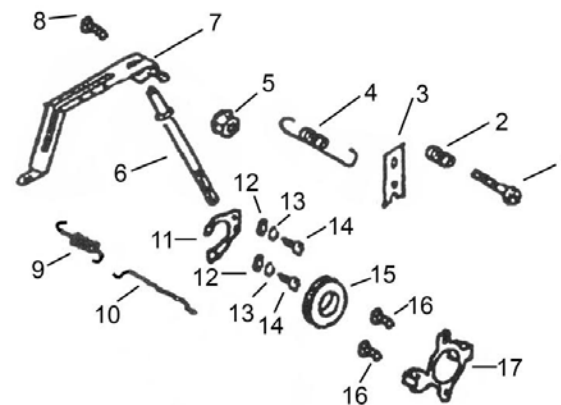


G

Part No.	Description
PG1202S-G-01	FLANGE BOLT(M6×20)
PG1202S-G-02	MAGNETO
PG1202S-G-03	LOCATING SHEET
PG1202S-G-04	HIGH VOLTAGE SET
PG1202S-G-05	STOP SWITCH CORD
PG1202S-G-06	FLANGE BOLT(M6 X 16)

1200 WATT GENERATOR

Control system assy.

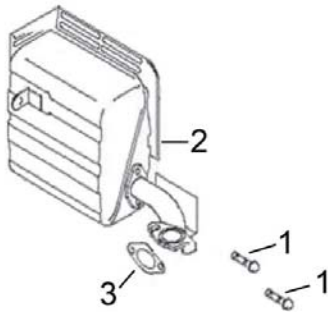


H

Part No.	Description
PG1202S-H-01	FLAT SCREW(M6×40)
PG1202S-H-02	CONTROL ADJUSTING SPRING
PG1202S-H-03	SPEED GOVERNING GASKET
PG1202S-H-04	SPEED GOVERNING SPRING
PG1202S-H-05	FLANGE NUT(M6)
PG1202S-H-06	SHIFTE
PG1202S-H-07	GOVERNOR ARM
PG1202S-H-08	BOLT(M6×20)
PG1202S-H-09	THROTTLE RETURN SPRING
PG1202S-H-10	GOVERNOR ROD
PG1202S-H-11	SPEED REGULATION FORK
PG1202S-H-12	WASHER(φ3)
PG1202S-H-13	SPRING WASHER(φ3)
PG1202S-H-14	FLAT SCREW(M3×8)
PG1202S-H-15	SLIP RING
PG1202S-H-16	FLANGE BOLT(M6 X 12)
PG1202S-H-17	STAND

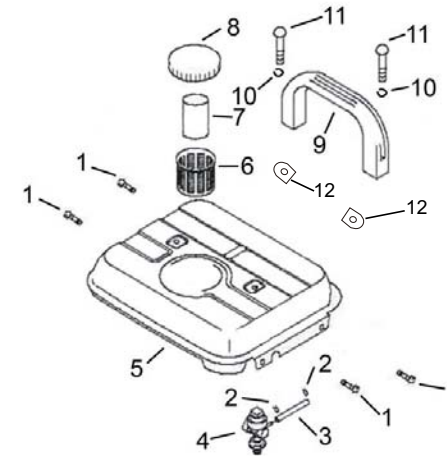
1200 WATT GENERATOR

Muffler system assy.



Part No.	Description
PG1202S-I-01	FLANGE BOLT(M6 X 16)
PG1202S-I-02	MUFFLER COMP.
PG1202S-I-03	MUFFLER GASKET

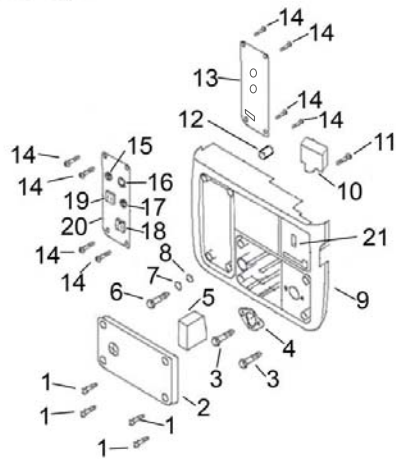
1200 WATT GENERATOR



Part No.	Description
PG1202S-J-01	FLANGE BOLT(M6 X 20)
PG1202S-J-02	CLAMP
PG1202S-J-03	FUEL TUBE
PG1202S-J-04	FUEL CONTROL VALVE
PG1202S-J-05	FUEL TANK
PG1202S-J-06	FUEL FILTER
PG1202S-J-07	FUEL CUP
PG1202S-J-08	FUEL CAP
PG1202S-J-09	HANDLE
PG1202S-J-10	SPRING WASHER($\phi 6$)
PG1202S-J-11	FLAT SCREW(M6 X 32)
PG1202S-J-12	WASHERS

1200 WATT GENERATOR

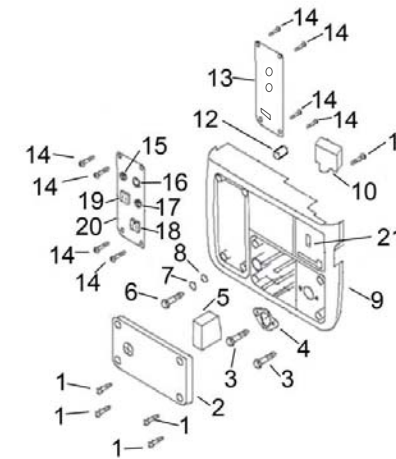
Control box assy.



K

Part No.	Description
PG1202S-K-01	FLAT SCREW(M5 X 15)
PG1202S-K-02	AIR FILTER COVER
PG1202S-K-03	FLANGE BOLT(M6 X 60)
PG1202S-K-04	PLATE PAD
PG1202S-K-05	AIR FILTER
PG1202S-K-06	FLAT SCREW(M6 X 30)
PG1202S-K-07	SPRING WASHER(ϕ 6)
PG1202S-K-08	WASHER(ϕ 6)
PG1202S-K-09	CONTROL PANEL
PG1202S-K-10	CAPACITOR
PG1202S-K-11	PLATE SCREW(ST4 X 16)
PG1202S-K-12	TUBE(ϕ 6)
PG1202S-K-13	PLATE COVER
PG1202S-K-14	PLATE SCREW(ST4 X 10)
PG1202S-K-15	DC CIRCUIT BREAKER(10A)
PG1202S-K-16	LIGHT
PG1202S-K-17	AC CIRCUIT BREAKER(8A)

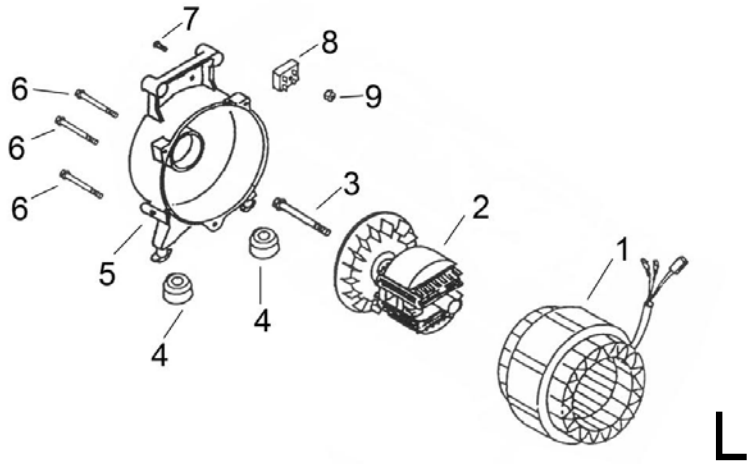
1200 WATT GENERATOR



K

Part No.	Description
PG1202S-K-18	AC SOCKET
PG1202S-K-19	DC SOCKET
PG1202S-K-20	PANEL COVER
PG1202S-K-21	ENGINE SWITCH

1200 WATT GENERATOR



Part No.	Description
PG1202S-L-01	STATOR ASSY.
PG1202S-L-02	ROTOR COMP.
PG1202S-L-03	FLANGE BOLT(M8×155)
PG1202S-L-04	RUBBER PAD
PG1202S-L-05	GENERATOR STAY
PG1202S-L-06	FLANGE BOLT(M6×80)
PG1202S-L-07	FLAT SCREW(M4×20)
PG1202S-L-08	RECTIFIER COMP.
PG1202S-L-09	NUT(M4)